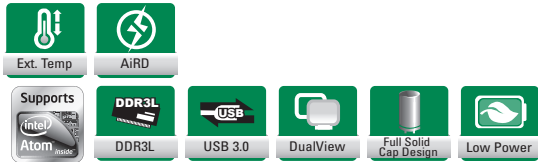
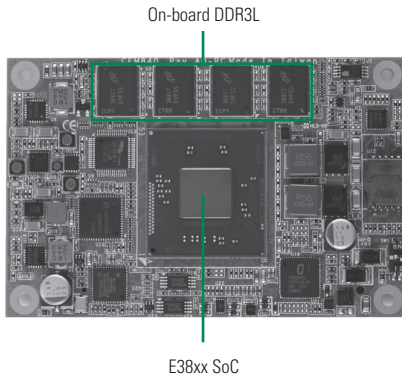


CEM840

Intel® Atom™ E3800 Family COM Express Type 10 Mini Module



System

CPU	Intel® Atom™ processor E3845 1.91 GHz quad core, Atom™ E3827 1.75 GHz dual core, or Atom™ E3815 1.46 GHz single core onboard
System Memory	Onboard extended temperature DDR3L chips up to 4 GB
Chipset	SoC integrated
BIOS	AMI uEFI
SSD	N/A
Watchdog Timer	255 levels, 1~255 sec.
Expansion Interface	4 x PCIe x1 devices (3 x 1 while internal LAN is connected)
Battery Lithium	N/A
Power Input	DC input: 4.75V ~ 20V or ATX +12V/+5VSB
Size	84 x 55 mm
Board Thickness	2.0 mm
Temperature	-40°C ~ +85°C (-40°F ~ +185°F), operation
Operation Humidity	10% ~ 95% relative humidity, non-condensing

I/O

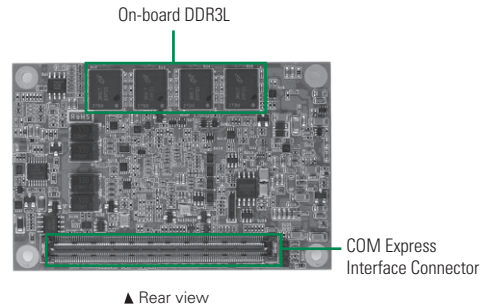
MIO	1 x LPC interface
SATA	2 x SATA-300 support
Hardware Monitoring	Yes
Ethernet	1 port as 10/100/1000Mbps supports Wake-on-LAN, PXE Boot ROM with Intel® i210IT
Audio	HD link interface to baseboard for Codec
USB	8 x USB 2.0 and 1 x USB 3.0
TPM	N/A
SMBus	Yes
Digital I/O	4 channels IN & 4 channels OUT

Display

Chipset	Intel® HD graphics (Gen 7 Gfx) display engine Gfx APIs – DX11, OCL 1.2, OGL 3.2 2 independent displays
Display Interface	1 x LVDS; 18/24-bit single channel 1 x DDI (DP, HDMI, DVI)

Features

- Intel® Quad/ Dual/ Single Core Atom™ processor (Bay Trail)
- Max. up to 4 GB DDR3L on-board memory
- Max. up to 4 lanes of PCIe
- 2 SATA-300 interfaces
- 8 USB 2.0 and 1 USB 3.0 ports



Packing List

Quick installation guide, user's manual/utility CD

Ordering Information

Standard

CEM840PG-E3845-4G (P/N:E38D840102)	COM Express type 10 mini module with Intel® Atom™ E3845, 4 GB, DP/LVDS, 10/100/1000Mbps Ethernet and USB 3.0
CEM840PG-E3827-4G (P/N:E38D840100)	COM Express type 10 mini module with Intel® Atom™ E3827, 4 GB, DP/LVDS, 10/100/1000Mbps Ethernet and USB 3.0
CEM840PG-E3815-4G (P/N:E38D840107)	COM Express type 10 mini module with Intel® Atom™ E3815, 4 GB, DP/LVDS, 10/100/1000Mbps Ethernet and USB 3.0
CEM840PG-E3845-2G (P/N:E38D840108)	COM Express type 10 mini module with Intel® Atom™ E3845, 2 GB, DP/LVDS, 10/100/1000Mbps Ethernet and USB 3.0
CEM840PG-E3827-2G (P/N:E38D840106)	COM Express type 10 mini module with Intel® Atom™ E3827, 2 GB, DP/LVDS, 10/100/1000Mbps Ethernet and USB 3.0
CEM840PG-E3815-2G (P/N:E38D840101)	COM Express type 10 mini module with Intel® Atom™ E3815, 2 GB, DP/LVDS, 10/100/1000Mbps Ethernet and USB 3.0

Optional Accessories

CEM94008 (P/N: E394008100)	ATX form factor type 10 evaluation board
5078D840100E	CEM840 heat spreader
5078D840200E	CEM840 heat sink with fan
5078D840300E	CEM840 heatsink without fan