

eBOX620-801-FL

Fanless Embedded System with Intel® Atom™ Processor N455/ D525 up to 1.8 GHz and Optional Dual Display Support



Specifications

Standard Color	Silver-Black
Construction	Aluminum extrusion and heavy-duty steel, IP40
CPU	Intel® Atom™ processor N455 1.66 GHz single core/ D525 1.8 GHz dual core
System Memory	1 x 204-pin DDR3 SO-DIMM (N455 supports DDR3-667 max. up to 2 GB, D525 supports DDR3-667/800 max. up to 4 GB)
Chipset	Intel® ICH8M
BIOS	AMI
System I/O Outlet	1 x RS-232/422/485 (COM 1) 2 x RS-232 (COM 2/COM 3) 1 x VGA 1 x DVI-D (optional) 1 x Audio (Mic-in/Line-out) 2 x 10/100/1000Mbps Ethernet (Intel® 82567V & 82583V) 4 x USB 2.0 1 x VDC power input connector 1 x ATX power switch 2 x SMA antenna opening
Watchdog Timer	255 levels, 1 ~ 255 sec.
Storage	1 x 2.5" SATA HDD drive bay 1 x CompactFlash™ slot
Expansion Interface	1 x PCI Express Mini Card slot (USB + PCI Express signal) 1 x internal USB WiFi mounting space
System Indicator	1 x green LED for system power-on 1 x orange LED for HDD active
Power Supply	Screw type AC 60W adapter Input: AC 90 ~ 264V Output: DC12V @ 5A
Operating Temperature	-10°C ~ +50°C (14°F ~ 122°F) (with Atom™ D525 1.8 GHz, W.T. HDD) -10°C ~ +55°C (14°F ~ 131°F) (with Atom™ N455 1.66 GHz, W.T. HDD)
Storage Temperature	-20°C ~ +80°C (-4°F ~ +176°F)
Humidity	10% ~ 90% , non-condensing
Vibration Endurance	2 Grms with CF (5-500Hz, X, Y, Z directions)
Dimensions	200 mm (7.87") (W) x 120 mm (4.72") (D) x 56 mm (2.2") (H)
Weight (net/gross)	1.98 kg (4.36 lb)/2.6 kg (5.73 lb)
Certification	CE
EOS Support	XPE, WinCE, Linux, WES, WES7

- * XPE: Windows® XP Embedded
- * WES: Windows® XP Embedded Standard
- * WES7: Windows® Embedded Standard 7
- * WES8: Windows® Embedded Standard 8

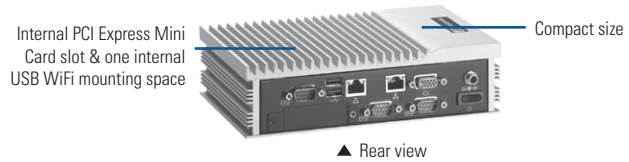
Packing List

- 1 x quick manual
- 1 x driver CD
- 1 x screw pack
- 4 x foot pad
- 2 x thermal Pad
- 1 x power adapter
- 2 x CFast™ mylar
- 1 x HDD mylar
- 1 x power cord

259

Features

- Intel® Atom™ processor N455/ D525 1.66 GHz onboard
- Intel® ICH8M chipset
- Supports 4 USB 2.0 ports and 3 COM ports
- One 2.5" SATA drive bay and 1 CompactFlash™
- 1 internal PCI Express Mini Card slot
- Supports Jumbo Frame (9k), WoL, PXE Remote Boot, iAMT



Power Protection

AC Version

- OVP (over voltage protection)
- OCP (over current protection)
- SCP (short circuit protection)

Ordering Information

Standard

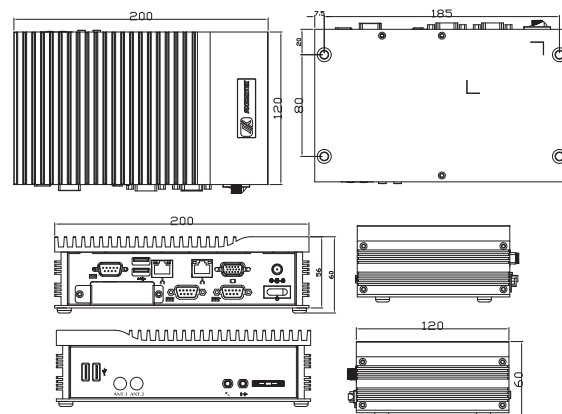
eBOX620-801-FL-D525	Fanless embedded system with Intel® Atom™ processor D525 1.8 GHz, VGA, AC 60W adapter, CF & HDD support and 4 USB
eBOX620-801-FL-N455	Fanless embedded system with Intel® Atom™ processor N455 1.66 GHz, VGA, AC 60W adapter, CF & HDD support and 4 USB
eBOX620-801-FL-D525-6USB	Fanless embedded system with Intel® Atom™ processor D525 1.8 GHz, VGA, AC 60W adapter, CF & HDD support and 6 USB
eBOX620-801-FL-D525-D	Fanless embedded system with Intel® Atom™ processor D525 1.8 GHz, VGA+DVI-D, AC 60W adapter, CF & HDD support and 4 USB

Optional

2.5" SATA HDD	40 GB or above
2.5" SATA SSD	4 GB or above
DDR3 SODIMM	512 MB or above
CompactFlash™	256 MB or above
Power adapter bracket kit	
Wifi module	
USB wifi module	
GPS module	
Graphic codec module	

* Specifications and certifications are based on options and may vary.

Dimensions



* All specifications and photos are subject to change without notice.