



ГИДРООТВЕТ
доступная гидравлика

Inline Filter LF

up to 700L/min

up to 100bar



Inline Filter

LF

-Oil Flow up to 700L/min

-Pressure up to 100bar



1. TECHNICAL SPECIFICATIONS

1.1 FILTER HOUSING

Construction

They consist of a filter head and a screw-in filter bowl.

Standard equipment:

- connection for a clogging indicator in filter head
- mounting holes in the filter head
- drain screw with pressure relief (LF 330 and above)

1.2 FILTER ELEMENTS

Filter elements are available with the following pressure stability values:

Glass Fiber (ON):	20 bar
Glass Fiber (BH4HC):	210 bar
Wire mesh (W):	20 bar
Stainless steel fibre (V):	210 bar

1.3 FILTER SPECIFICATIONS

Nominal pressure	100 bar
Fatigue strength	At nominal pressure 10^6 cycles from 0 to nominal pressure (For other pressures, see Point 1.8)
Temperature range	-30 °C to +100 °C
Material of filter head	Aluminium
Material of filter bowl	Aluminium
Type of clogging indicator	VM (differential pressure measurement up to 210 bar operating pressure)
Pressure setting of the clogging indicator	5 bar (others on request)
Bypass cracking pressure (optional)	6 bar (others on request)

1.4 SEALS

NBR (=Perbunan)

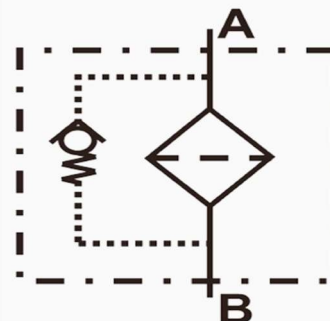
1.5 INSTALLATION

Inline filter with or without reversible oil flow

1.6 SPECIAL MODELS AND ACCESSORIES

- Bypass valve built into the head, separate from the main flow
- Oil drain screw up to LF 240

Symbol for hydraulic systems



2. MODEL CODE (also order example)

LF ON 60 I C 10 D 1 . X /-L24

2.1 COMPLETE FILTER

Filter type

LF

Filter material

- ON
- BH/HC (BH4HC)
- W Stainl. st. wire mesh
- V Stainless steel fibre

Size of filter or element

WKLF: 30, 60, 110, 160, 240, 330, 660

Operating pressure

I = 100 bar

Type and size of connection

Type	Port	Filter size						
		30	60	110	160	240	330	660
B	G 1/2	●						
C	G 3/4		●	●				
E	G1 1/4				●	●		
F	G1 1/2						●	●

Filtration rating in µm

ON: 1, 3, 5, 10, 15, 20 BH/HC, V: 3, 5, 10, 20
 W: 25, 50, 100, 200

Type of clogging indicator

- Y plastic blanking plug in indicator port
 - A steel blanking plug in indicator port
 - B visual
 - C electrical
 - D visual and electrical
- } for other clogging indicators, see brochure no. 7.050../..

Type code

1

Modification number

X the latest version is always supplied

Supplementary details

- B. bypass cracking pressure (e.g. B6 = 6 bar); without details = without bypass valve
 - L... light with appropriate voltage (24V, 48V, 110V, 220V)
 - LED 2 light emitting diodes up to 24 Volt
 - SO184 pressure release/oil drain screw (standard for LF 330 and above)
 - V FPM seals
 - W suitable for HFA, HFC oil-water emulsions (only necessary when using a clogging indicator or V or W elements)
- } only for clogging indicators type "D"

2.2 REPLACEMENT ELEMENT

0060 D 010 ON /-V

Size

0030, 0060, 0110, 0160, 0240, 0330, 0660

Type

D

Filtration rating in µm

ON: 001, 003, 005, 010, 015, 020 BH4HC, V: 003, 005, 010, 020
 W: 025, 050, 100, 200

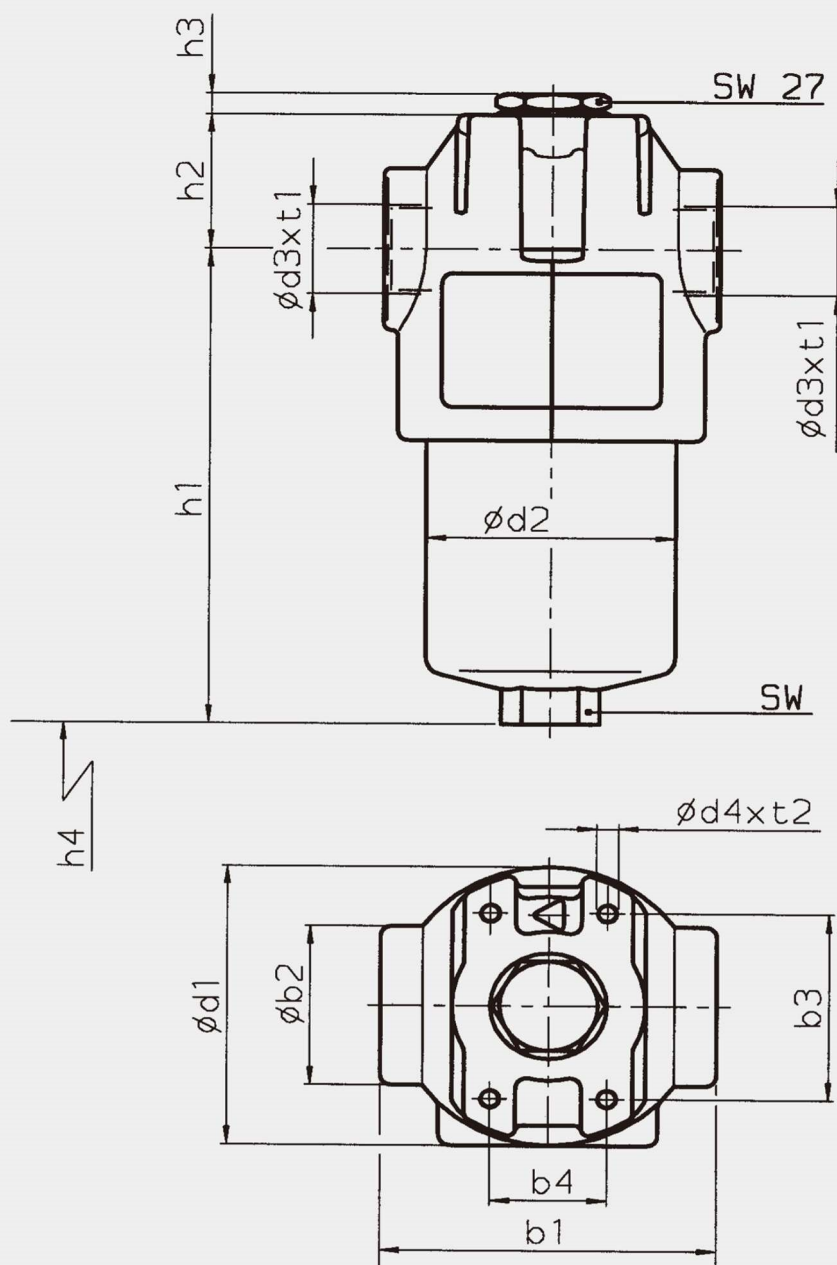
Filter material

ON, BH4HC, V, W

Supplementary details

V, W (for descriptions, see Point 2.1)

3. DIMENSIONS



WKL F	b1	b2	b3	b4	d1	d2	d3	d4	h1	h2	h3	h4	SW	t1	t2	Weight including element [kg]	Volume of pressure chamber [l]
30	69	36	45	30	67	52	G $\frac{1}{2}$	M5	125.5	31	7	75	24	15	8	0.8	0.13
60	90	48	56	32	84	68	G $\frac{3}{4}$	M6	137.5	39	6	75	27	17	9	1.5	0.24
110	90	48	56	32	84	68	G $\frac{3}{4}$	M6	207.0	39	6	75	27	17	9	1.8	0.42
160	125	65	85	35	116	95	G1 $\frac{1}{4}$	M10	190.5	46	6	95	32	21	14	3.7	0.60
240	125	65	85	35	116	95	G1 $\frac{1}{4}$	M10	250.5	46	6	95	32	21	14	4.3	0.80
330	159	85	115	60	160	130	G1 $\frac{1}{2}$	M12	252.5	50	6	105	36	23	17	8.0	1.50
660	159	85	115	60	160	130	G1 $\frac{1}{2}$	M12	423.5	50	6	105	36	23	17	11.0	3.00

NOTE

The information in this brochure relates to the operating conditions and applications described.

For applications or operating conditions not described, please contact the relevant technical department.

Subject to technical modifications.

ООО "Алькор Плюс"
 +7 (982) 608-02-00 (+ WhatsApp)
 sales@hydrootvet.ru
 www.hydrootvet.ru