

Assembly and installation manual

Soul  Steel
Grill'D®

Bucket shower Oblivion

Read the manual carefully before commencing installation and operating of the product. Keep it for future use.



Oblivion bucket shower

1. APPLICATION

Bucket shower is equipment for fitting-out bath houses and saunas. It is designed for water procedures, for example, after visiting the steam room.

2. DESIGN AND TECHNICAL DATA

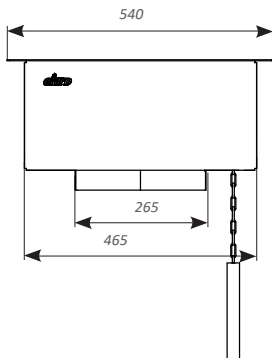
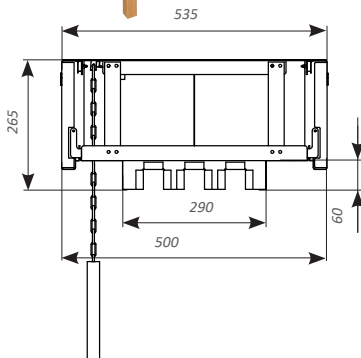
The overall dimensions of the device allow it to be installed in small rooms with low ceilings. The device's design allows for its installation both on the wall, and on the ceiling.

Volume of water tank - 28 l.

Bucket shower Oblivion (wall-hung unit)

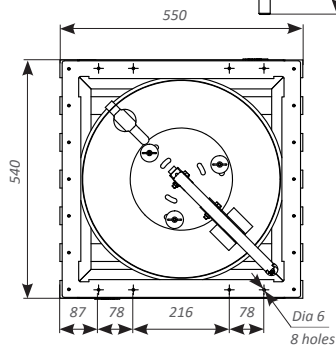
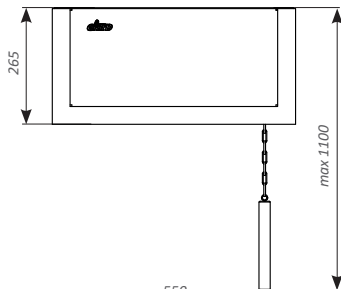


Designed for concealed installation in the ceiling or decorate in the required style.
Weight - 18 kg.



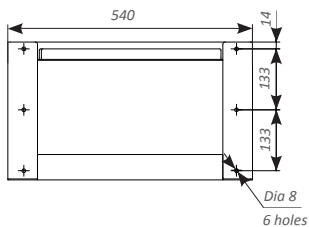
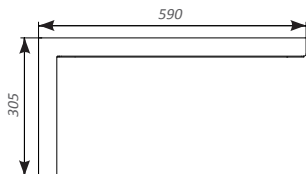
Bucket shower Oblivion with wooden lamellae

Weight - 22 kg.



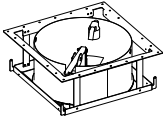

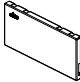
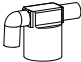

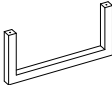
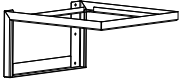
Wall bracket Oblivion

Weight - 5 kg.



4. DELIVERY PACKAGE, ASSEMBLY AND INSTALLATION

4.1 4.1 Delivery package

No	Type	Name	Package contents
1		Bucket shower (wall-hung unit)	1 pce
2		Assembled wooden handle	1 pce
3		Decorative end plug	2 pcs
4		Filling valve with level sensor	1 pce
5		Lock nut	1 pce
6		Wooden lamellae*	7 pcs
7		Wall bracket with fixing system**	1 pce

* Is included in the set of Bucket Shower.

** Is not included, to be purchased separately.

Order picker: _____
(Name, signature)

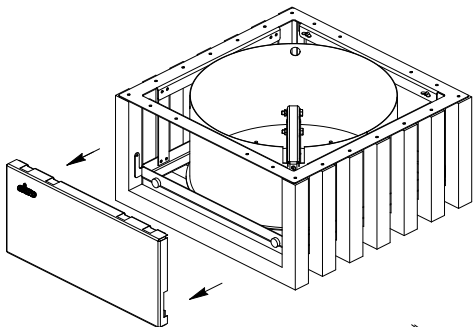
QCD mark: _____
(Name, signature)

Date: _____

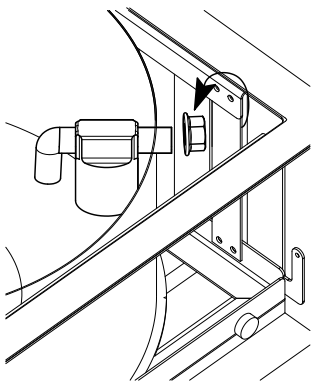
4.2. Assembly and installation procedure

IMPORTANT! The works shall be carried out in an extremely careful way, eliminating the possibility of damage to the paint coating of the bucket shower.

1. Take the bucket shower (1) out from the package, remove the decorative end plug (3).



2. Install the filling valve with level sensor (4). For this purpose, there are three installation places in the device, depending on which side is the supply of the water main. Tighten the lock nut (5).

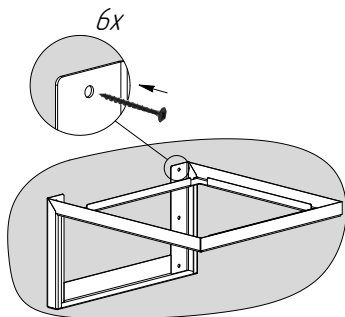


3. Determine the place of installation considering its weight, dimensions and the bearing capacity of the wall or ceiling, as well as the position of the handle.

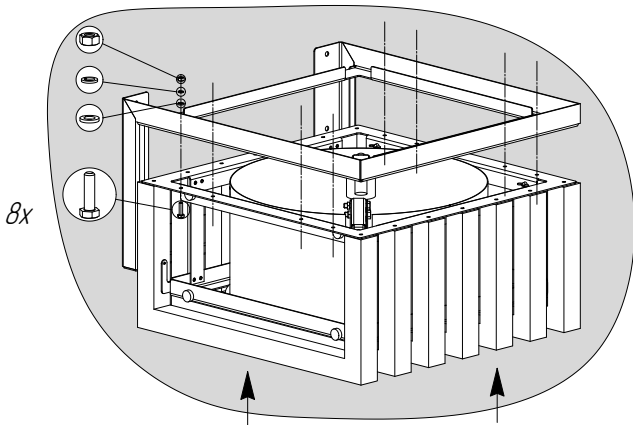
Note: Two options of fixing are possible: wall or ceiling. A wall bracket (7) is required to install the device on the wall. Also, the device can be mounted on a bracket or ceiling so that the water drain mechanism (chain with a handle) can be located on the right or left for comfortable use.

3.1. When fixing the device to the wall:

3.1.1 Mark the wall bracket's (7) attachment position considering the device's dimensions. Should it be necessary to determine horizontal and vertical, use carpenter's level. Fix the bracket (7) on the wall using the necessary fastening elements (not included).

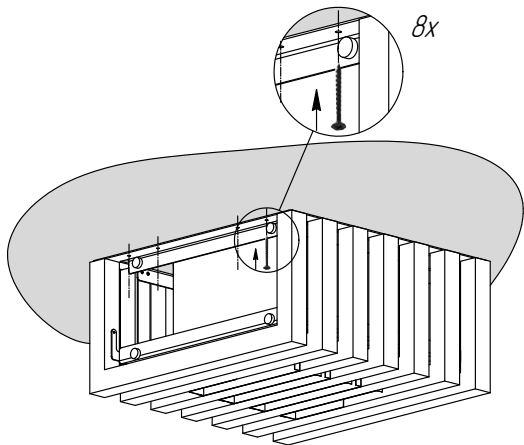


3.1.2. Install the bucket shower onto the bracket (7) and fix it using the fastening elements (included with the bracket) in eight places.



3.2. When fixing the device to the ceiling, mark the device's **(1)** attachment positions on the ceiling, considering the device's dimensions. Fix the device on the ceiling using fastening elements (not included).

IMPORTANT! When fixing the device to the ceiling, it is necessary to ensure the ceiling antisplash protection.



4. Install the decorative end plugs **(3)** in place. Attach the chain with the handle **(2)** via a latch hook to the device **(1)**. Adjust the chain length, if required.

4.3 Procedure

IMPORTANT! If the drain hole is not closed tightly, then the clamping force of the sealing valve should be adjusted using the three wing nuts located at the bottom of the device.

After connection of water main or storage tank, and turning on the water supply, the automatic filling of the bucket shower body will begin. When the tank is filled to the required level, the water supply will automatically stop. After that, the device is ready for use as intended.

The water starts pouring, when pushing the lever using the chain with the wooden handle. Releasing the handle stops pouring of the water. When the water level in the tank decreases, automatic filling with water starts.

5. SAFETY MEASURES

IMPORTANT! Make design changes, use the product not as intended.

IMPORTANT! Using water with a high content of salts, iron, lime and other impurities that do not meet the standards (pH > 7), is prohibited.

IMPORTANT! Leaving water in the device at any time of the year is prohibited.

6. WARRANTY

The warranty period for the Product is 12 months from the date of purchase by the Consumer, but not more than 24 months from the date of shipment of the Product to the Dealer, with the filled-in marks on the last page of this manual, namely: the date of sale, the seller's signature, the store's stamp. The date of sale must be confirmed by a check or other document.

IMPORTANT! The Manufacturer disclaims warranty liability in the absence of a store stamp.

If the Consumer detects a non-compliance of the Product with the specified properties, the Consumer has the right to address a claim to the Company that sold the Product. However, the Company has the right to contact the Manufacturer to resolve issues regarding the Claim. The Manufacturer undertakes to improve the entire Product or its part (as decided by the Manufacturer) free of charge, replace the entire Product, its components, parts, compensate for the damage in any other way (as agreed with the Consumer), if the defect occurred during the warranty period or due to the Manufacturer's fault.

Should the Consumer make alterations to the entire Product, its component(s), parts, then warranty obligations do not apply to the Product. Thereafter, the warranty does not apply to elements that are subject to periodic replacement during operation.

The Product warranty is not provided in case of violation by the Consumer of the requirements specified of this Manual, does not apply to defects resulting from mechanical damage, improper storage, installation, operation, or maintenance. The above violations by the Consumer release the Manufacturer from responsibility.