

Standard I/O PT

Standard I/O PT	Order ref.	E82ZAFSC010
Standard I/O	Order ref.	E82ZAFSC

The function module provides the inverter with digital input and outputs for standard applications.

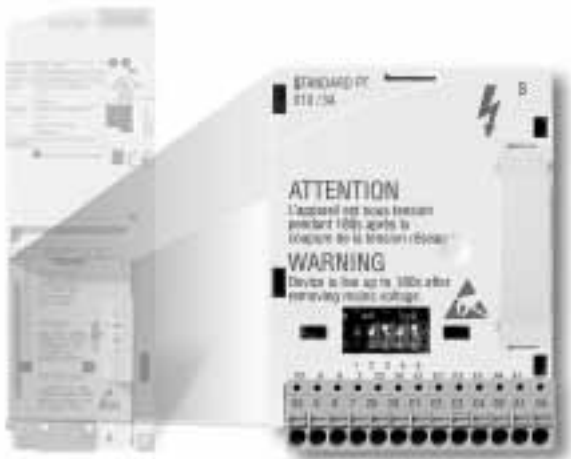
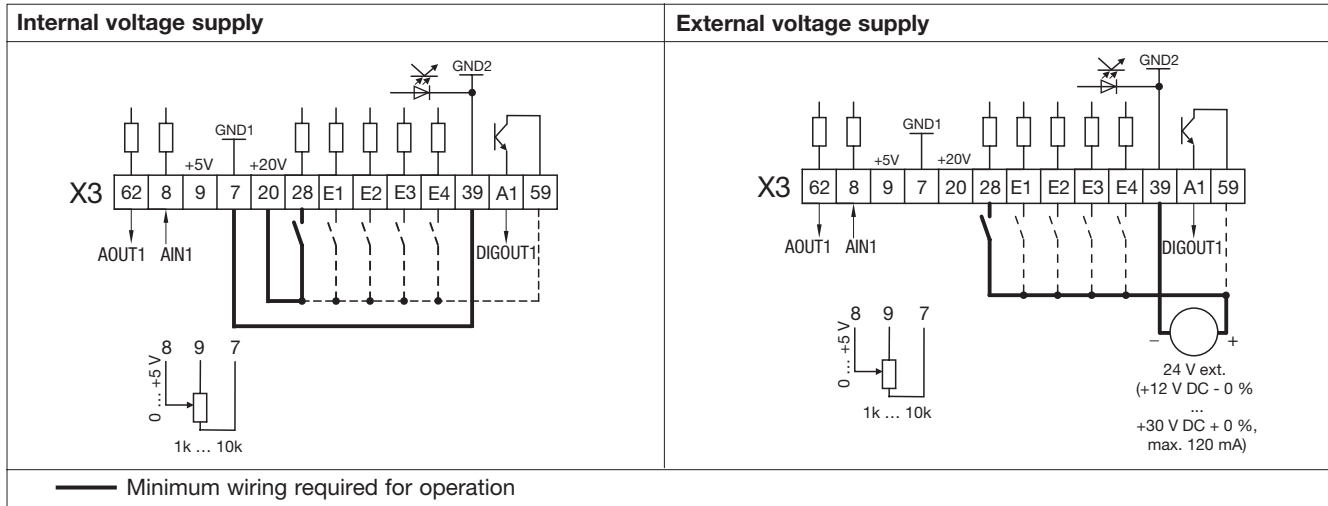
A plug-in spring-clamp terminal (PT version) provides easy and quick wiring of cable cross-sections up to 1.5 mm² without wire end ferrule. Due to the plugged-on spring-clamp terminal strip, the function module juts out approx. 13 mm of the front panel of the frequency inverter. The module is also available in a basic version without plug-in terminal.

Available input and output terminals

Analog IN	Analog OUT	Digital IN	Digital OUT
1	1	4 ¹⁾	1

¹⁾ Can include 1 frequency input (0...10 kHz, single-track or two-track via E1 and E2, 8200 vector 82xVxxxKxBxxxXXxx2x or later)




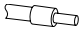
Terminal assignment



Standard I/O PT

X3	Signal type	Function (bold = Lenze setting)	Level	Technical data		
8	Analog input	Actual or setpoint value input	0 ... +5 V 0 ... +10 V -10 V... +10 V 0 ... +20 mA +4 ... +20 mA +4 ... +20 mA (monitored for open circuit)	Resolution: 10-bit Linearity error: ±0.5% Temp. sensitivity: 0.3% (0 ... +60°C) Input resistance – Voltage signal: > 50 kΩ – Current signal: 250 Ω		
62	Analog output	Output frequency	0... +10 V	Resolution: 10-bit Linearity error: ±0.5% Temp. sensitivity: 0.3% (0 ... +60°C) Load capacity: max. 2 mA		
28		Controller inhibit	1 = START	Input resistance: 3.3 kΩ 1 = HIGH (+12...+30 V) 0 = LOW (0...+3 V) (PLC level, HTL)		
E1 1)	Digital inputs	Activation of fixed frequencies (JOG)			E1	E2
E2 1)		JOG1 = 20 Hz	JOG1		1	0
		JOG2 = 30 Hz	JOG2		0	1
		JOG3 = 40 Hz	JOG3		1	1
E3		DC brake (DCB)	1 = DCB active			
E4	Reversal of direction of rotation Clock./counter-clock. rotation (CW/CCW)		E4			
		CW	0			
		CCW	1			
A1	Digital output	Ready for operation	0/+20 V with internal DC 0/+24 V with external DC	Load capacity: 10 mA 50 mA		
9	–	Internal, stabilised DC supply for setpoint value potentiometer	+5.2 V (reference: X3/7)	Load capacity: max. 10 mA		
20	–	Internal DC supply for actuation of the digital inputs and outputs	+20 V ±10% (reference: X3/7)	Max. load capacity: ∑ I = 40 mA		
59	–	DC supply for A1	+20 V (internal, bridge to X3/20) +24 V (external)			
7	–	GND1, reference potential for analog signals	–	Isolated to GND2		
39	–	GND2, reference potential for digital signals	–	Isolated to GND1		

1) Optional 0...10 kHz single-track (via E1) or 0...1 kHz two-track frequency input (via E1 and E2) 8200 vector E82xVxxxKxxxxXxx2x or later

Electrical connection	Push-on terminal strip with spring-clamp connection	
Connection options	 Rigid: 1.5 mm ² (AWG 16)	
	Flexible:	
	 1.5 mm ² (AWG 16)	without ferrules
	 1.5 mm ² (AWG 16)	with ferrules without plastic sleeve
 0.5 mm ² (AWG 20)	with ferrules with plastic sleeve	