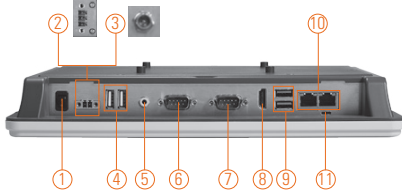


# GOT5100T-845

10.4" XGA/SVGA TFT Fanless Touch Panel Computer with Intel® Celeron® Processor N3060 (up to 2.48 GHz)



1. Power switch (ATX)
2. Terminal block for DC power input
3. Screw conn. w/AC power adapter
4. USB 2.0 x 2
5. Audio (Line-out)
6. COM 1 (RS-232/422/485)
7. COM 2 (RS-232)
8. HDMI
9. USB 3.0 x 2
10. Ethernet (RJ-45)
11. AT/ATX selectable switch

## Features

- 10.4" XGA/SVGA TFT LCD display with LED backlight
- Fanless design with Intel® Celeron® processor N3060 and internal antenna
- Supports 2 Gigabit LAN, 4 USB and 2 COM ports
- Supports optional panel mount, wall mount, VESA arm and desktop stand
- Plastic and IP65-rated front bezel
- Supports RFID (optional)
- Supports external AT/ATX mode selection switch
- Supports easy access storage design
- Adjust RS-232/422/485 setting via BIOS



▲ Side view



▲ Desktop stand



## Introduction

The GOT5100T-845 is a 10.4" Intel® Celeron®-based fanless touch panel computer. In response to market demand, this panel computer is a cost effective solution. It adopts a modern, super sleek and fanless design and is equipped with a 10.4" TFT LCD as well as Intel® Celeron® processor N3060 dual core up to 2.48 GHz. For wireless network connection, the GOT5100T-845 offers 2 PCI Express Mini Card slots. By just plugging in the mini card WLAN card, customers can have instant access to wireless LAN/GPRS/GSM/4G environments. Besides, it provides two types of power input. One is DC power with terminal block connector, and another is AC power adapter with screw type connector.

### Super Slim & Ultra Lightweight Design

The GOT5100T-845 is a super slim touch panel computer for space-limited environment with its thickness of 45.8mm and weight of 1.8 kg only, which make it installed everywhere.

### Built-in Internal WLAN Antenna

The GOT5100T-845 provides 2 PCI Express Mini Card slots and a built-in WLAN antenna for wireless network connections. By simply plugging in the wireless LAN card, customers can use the GOT5100T-845 in a wireless LAN/GPRS/GSM/4G environments.

### Aluminum Back Chassis with Excellent Thermal Solution

With Axiomtek's patent for plastic plus aluminum mechanism design, the GOT5100T-845 can dissipate the heat easily and keep the system operation stable.

## Specifications

Front Bezel	IP65, NEMA 4 rugged protection, plastic front bezel	
LCD Panel	Display Type	10.4" XGA/SVGA TFT LCD with LED backlight
	Brightness (cd/m <sup>2</sup> )	350 nits (XGA) 400 nits (SVGA)
	Resolution	1024 x 768 (XGA) 800 x 600 (SVGA)
	Viewing Angel (H/V)	140°/120°
Main System	CPU	Intel® Celeron® processor N3060 2 cores (up to 2.48 GHz)
	System Memory	1 x 204-pin DDR3L-1333 MHz SO-DIMM max. up to 8 GB
	BIOS	AMI UEFI BIOS
	Storage	1 x 2.5" SATA HDD
		1 x mSATA
	Watchdog Timer	255 levels, 0~255 sec.
	Onboard Graphics	Integrated in Intel® GFX

## Specifications

I/O Connector	1 x RS-232 (COM 2) 1 x RS-232/422/485 (default RS-232, COM 1) 1 x HDMI 1 x Switch for power On/Off 1 x AT/ATX mode selection switch 2 x USB 2.0 2 x USB 3.0 1 x Audio (Line-out) 2 x 10/100/1000 Mbps Ethernet (Intel® i211AT)
Expansion Interface	1 x Full-size PCI Express Mini Card with mSATA 1 x Full-size PCI Express Mini Card with SIM slot
Touchscreen	Resistive type
Power Supply	1.AC version: 100-240V AC-DC 60W power adapter or 2.DC version: 24 VDC with over current protection fuse
Dimension	292.5 mm (11.52") (W) x 45.8 mm (1.80") (D) x 235.8 mm (9.28") (H)
Packing Dimensions	415 mm (16.34") (W) x 100 mm (3.94") (D) x 315 mm (12.4") (H)
Weight (net/gross)	1.8 kg (3.96 lb)/3 kg (6.61 lb)
Environment	Operating temperature: 0°C ~ +50°C (+32°F ~ +122°F) (with W.T. DRAM/HDD in airflow condition) 0°C ~ +45°C (+32°F ~ +113°F) (with W.T. DRAM/HDD) Storage Temperature: 0°C ~ +50°C (+32°F ~ +122°F) (in airflow condition) Relative humidity: 20% ~ 90% @ 40°C; non-condensing Operation vibration: 2G, 5-500Hz, random for SSD
Certificate	CE

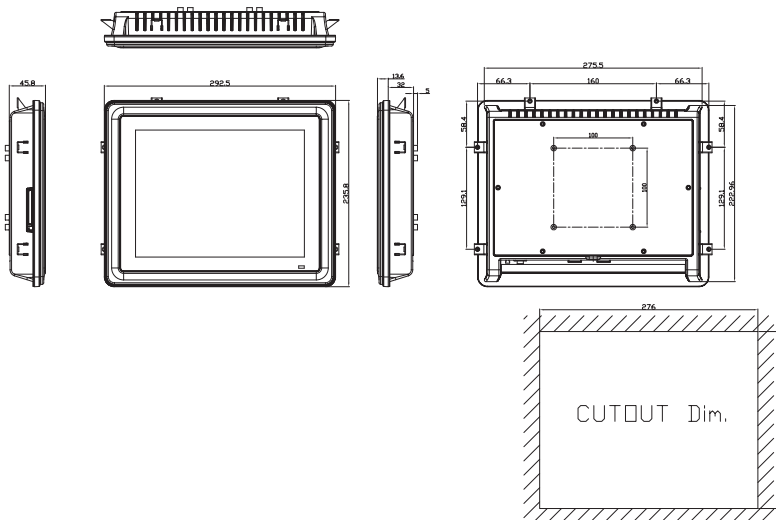
## Optional EOS Installation

WES 7
WEBS (64-bit)

## Optional OS Installation

Windows® 7
Windows® 8.1 (64-bit)
Windows® 10

## Dimensions



## Ordering Information

Standard	
GOT5100T-845-J	10.4" SVGA fanless touch panel computer with Intel® Celeron® processor N3060, 5-wire resistive touch screen, AC-DC 60W power adapter (screw type connector) and EMI class A
GOT5100T-845-24VDC	10.4" SVGA fanless touch panel computer with Intel® Celeron® processor N3060, 5-wire resistive touch screen and 24VDC power input (terminal block connector)
GOT5100T-845-XGA-J	10.4" XGA fanless touch panel computer with Intel® Celeron® processor N3060, 5-wire resistive touch screen, AC-DC 60W power adapter (screw type connector) and EMI class A
GOT5100T-845-XGA-24VDC	10.4" XGA fanless touch panel computer with Intel® Celeron® processor N3060, 5-wire resistive touch screen and 24VDC power input (terminal block connector)

### Optional

Wi-Fi + Bluetooth kit  
Panel mount kit  
VESA mount kit  
Stand kit  
Speaker kit  
RFID kit

\* Specification and certifications are based on requirements and may vary.



Overview

1

Fanless Touch Panel Computers

Heavy-duty Fanless Touch Panel Computers

Industrial Touch Panel Computers

Industrial Touch panel Monitors

Infotainment Touch Panel Computers

Healthcare & Medical Solutions

Open Frame Panel Computers

Accessories

