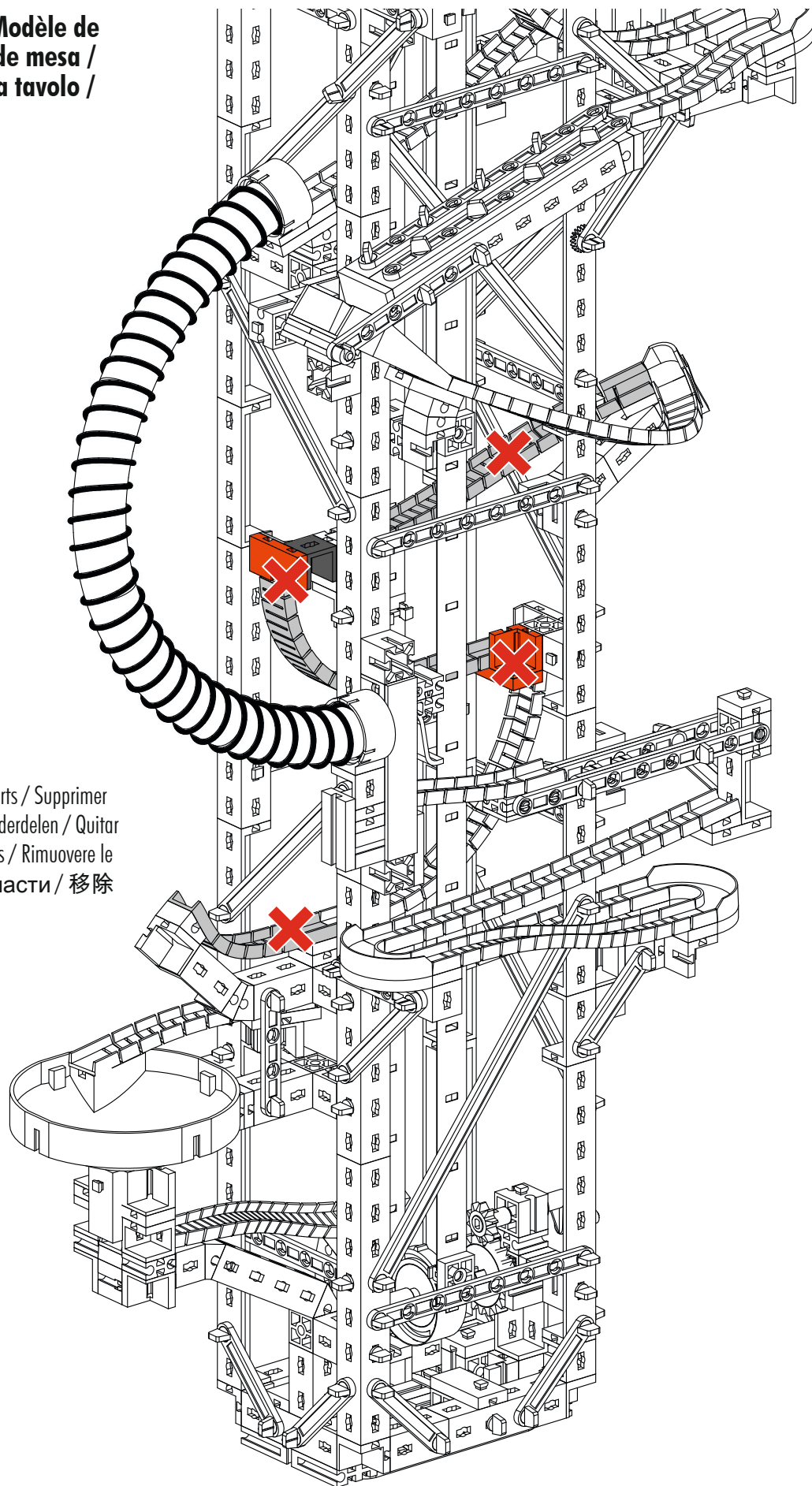


+ TRAMPOLINE

Tischmodell / Table model / Modèle de table / Tafelmodel / Modelo de mesa / Modelo de mesa / Modello da tavolo / настольная модель / 表型

Seite / Page / Page / Bladzijde / Página / Pagina / Pagina / Страница / 页次.....4

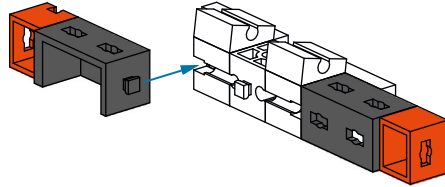
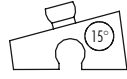
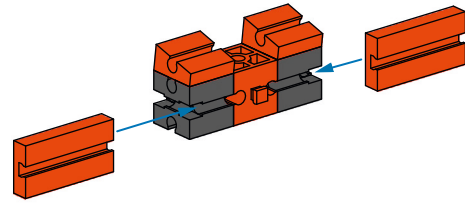


1

Farbige Teile ausbauen / Remove colored parts / Supprimer les parties colorées / Verwijder gekleurde onderdelen / Quitar las partes de color / Remover peças coloridas / Rimuovere le parti colorate / Удалить цветные части / 移除有色部分

2

- 2 x [Grey Technic Pin]
- 1 x [Red Technic 1x2 with Hole]
- 2 x [Red Technic 1x2]
- 2 x [Red Technic 1x2 with 15° Slope]

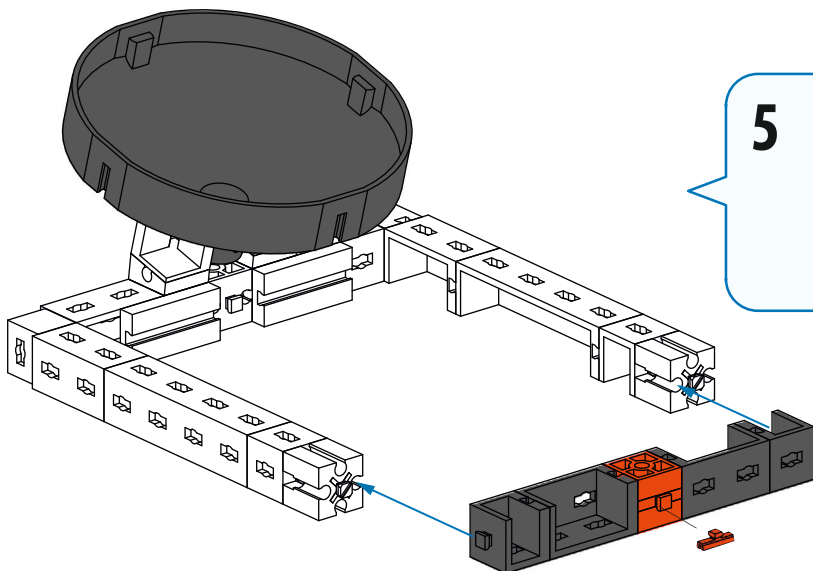
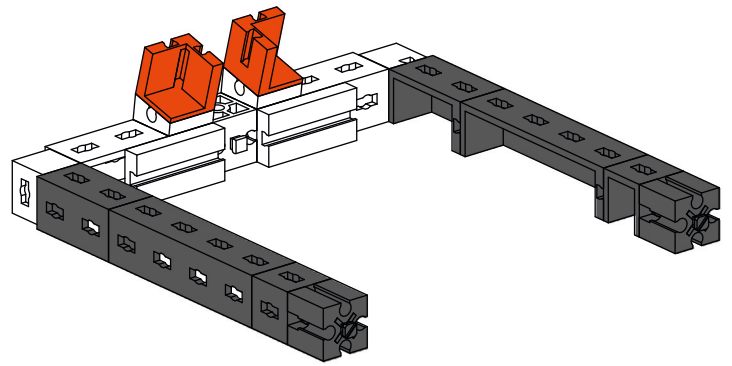


3

- 2 x [Grey Technic 1x2 with Hole]
- 2 x [Red Technic 1x2 with Hole]

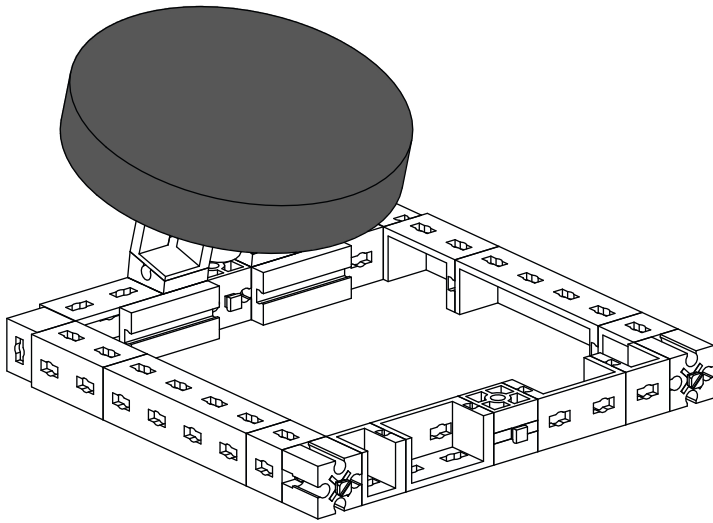
4

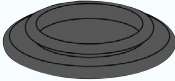
- 2 x [Grey Technic 1x6 with Hole]
- 2 x [Grey Technic 1x2 with Hole]
- 2 x [Grey Technic 1x2 with Hole]
- 2 x [Grey Technic Pin]
- 2 x [Red Technic 1x2 with Hole]

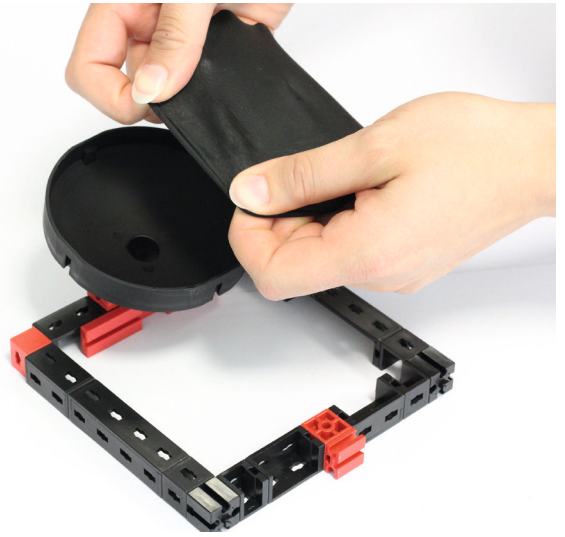


5

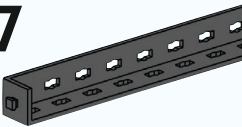
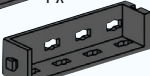




- 1 x [Large Grey Circular Component]
- 2 x [Grey Technic 1x2 with Hole]
- 2 x [Grey Technic 1x2 with Hole]
- 1 x [Red Technic 1x2 with Hole]
- 1 x [Red Technic 1x2 with Hole]

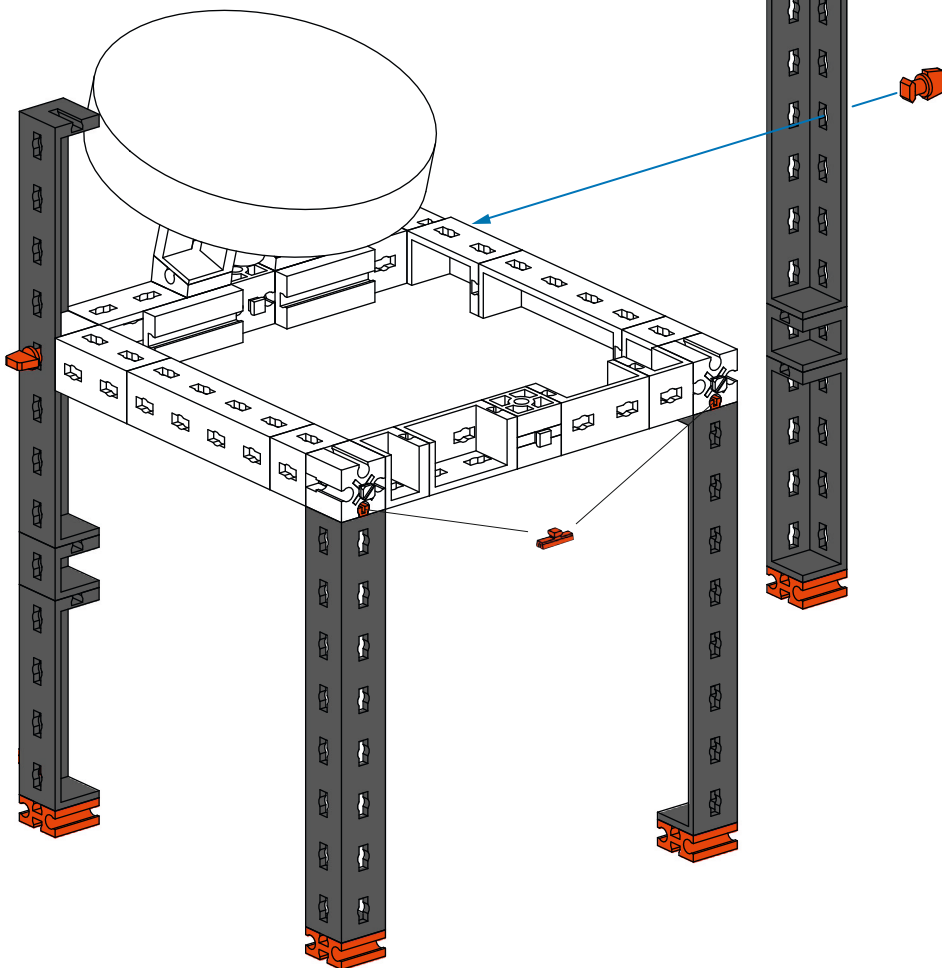


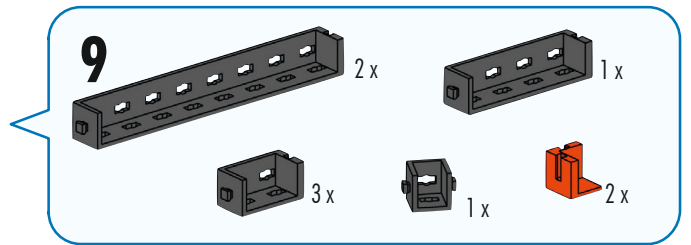
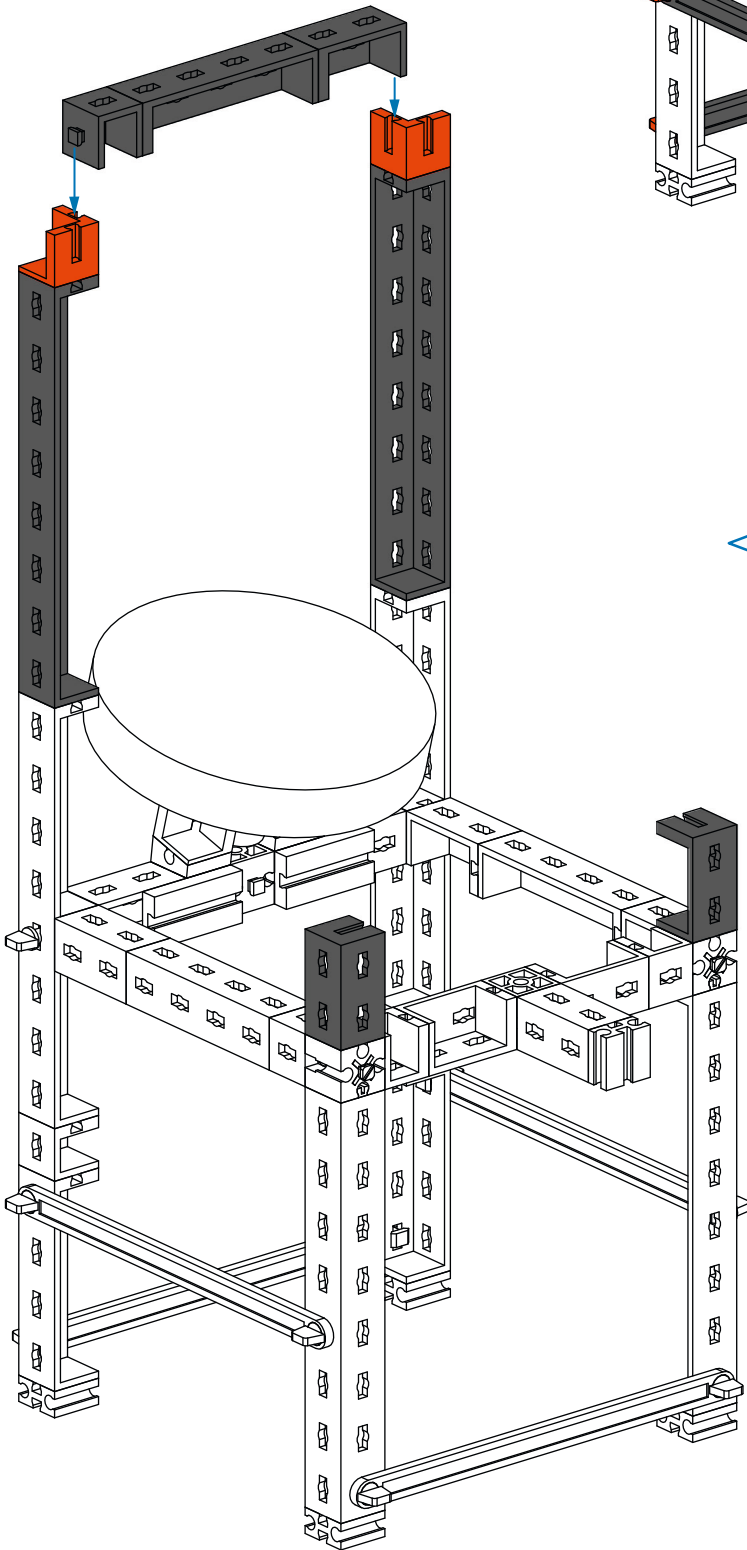
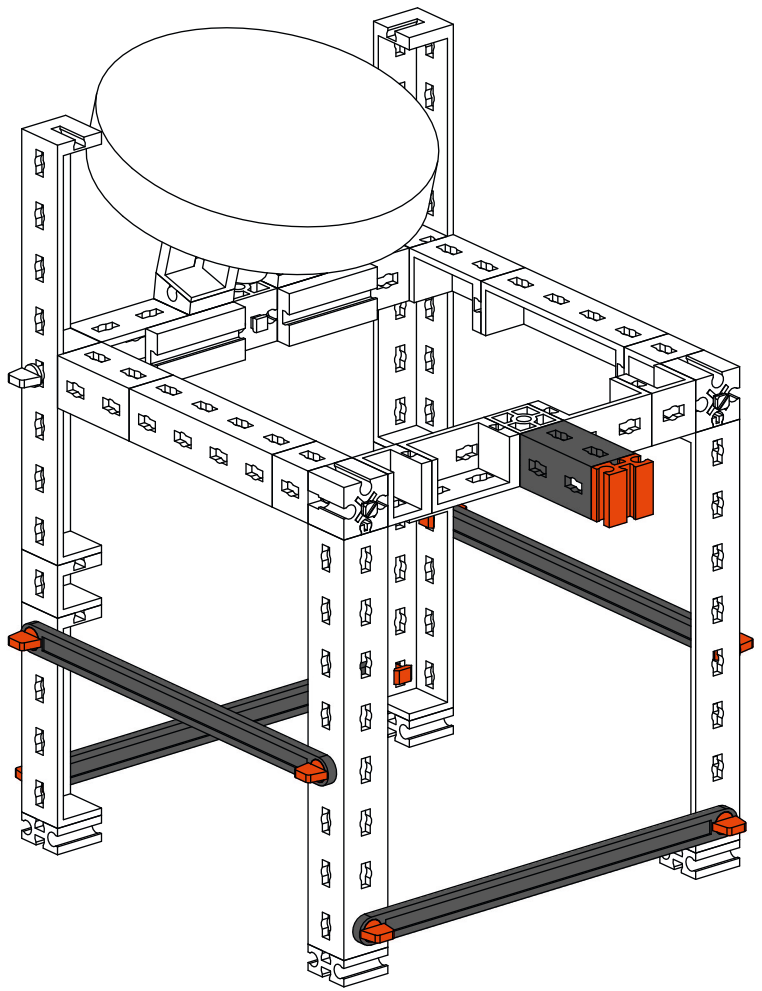
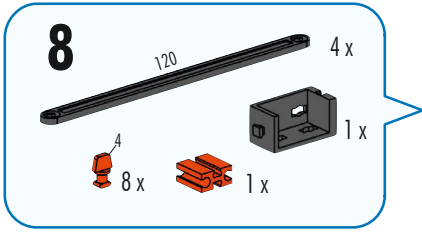
6  1 x

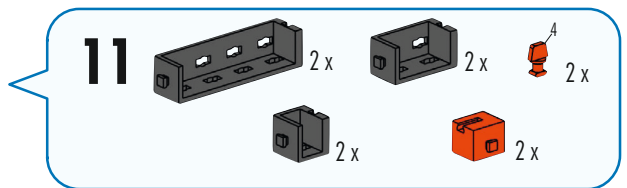
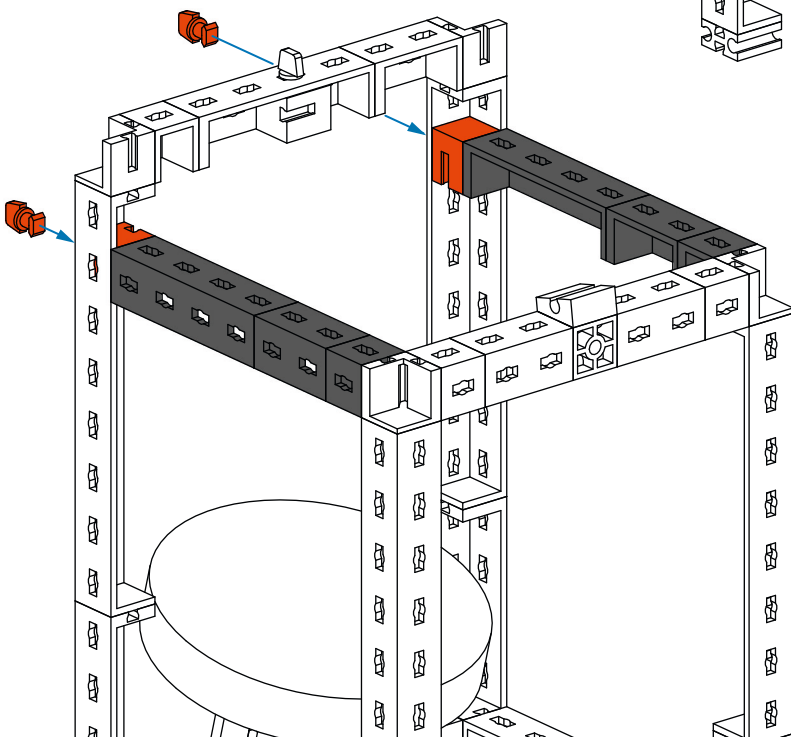
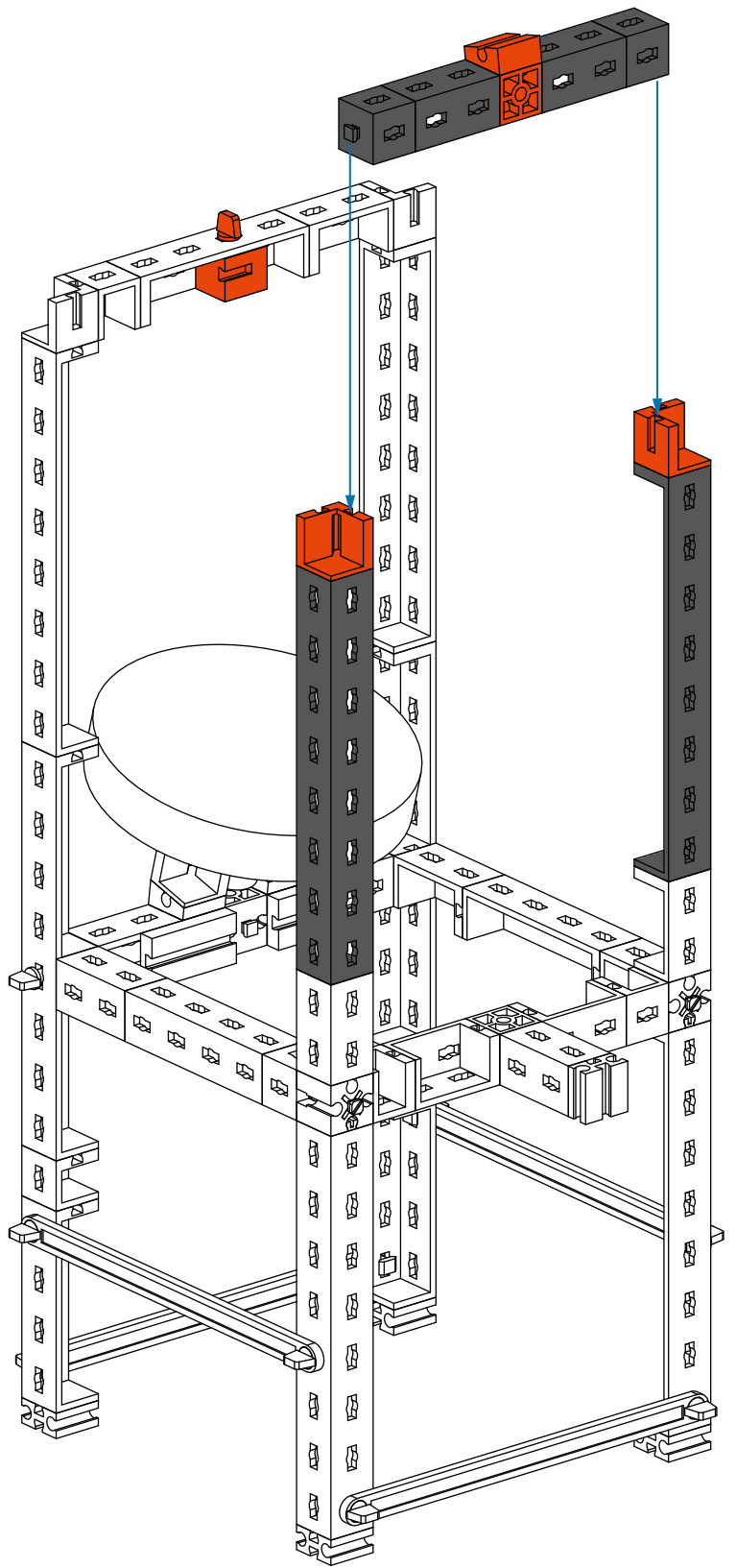
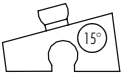
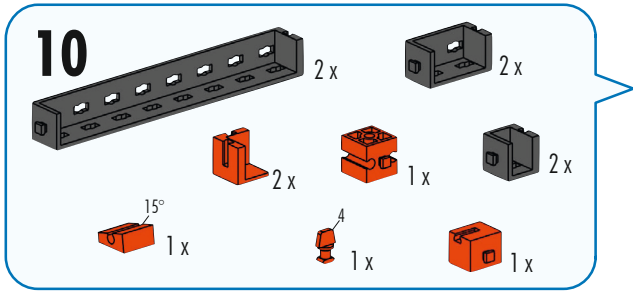


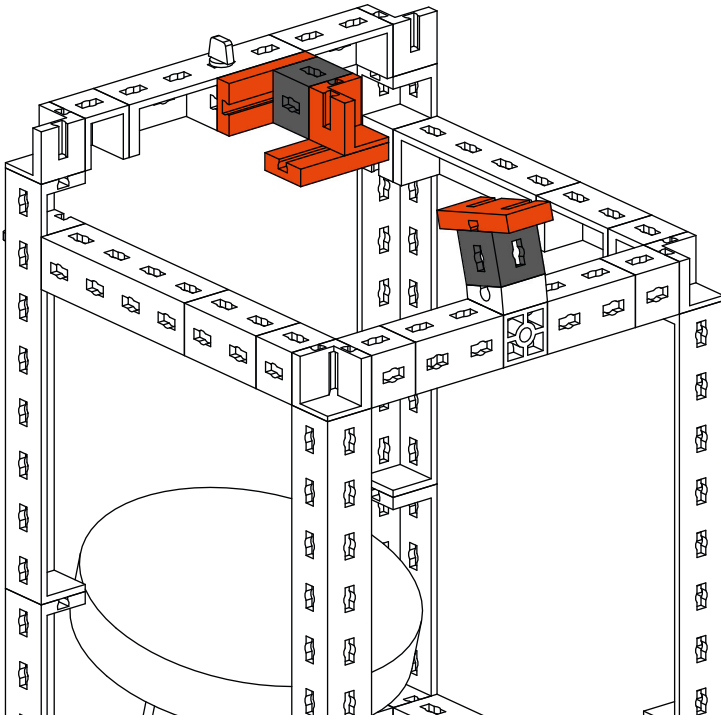
7

-  4 x
-  2 x
-  4 x
-  2 x
-  2 x
-  2 x



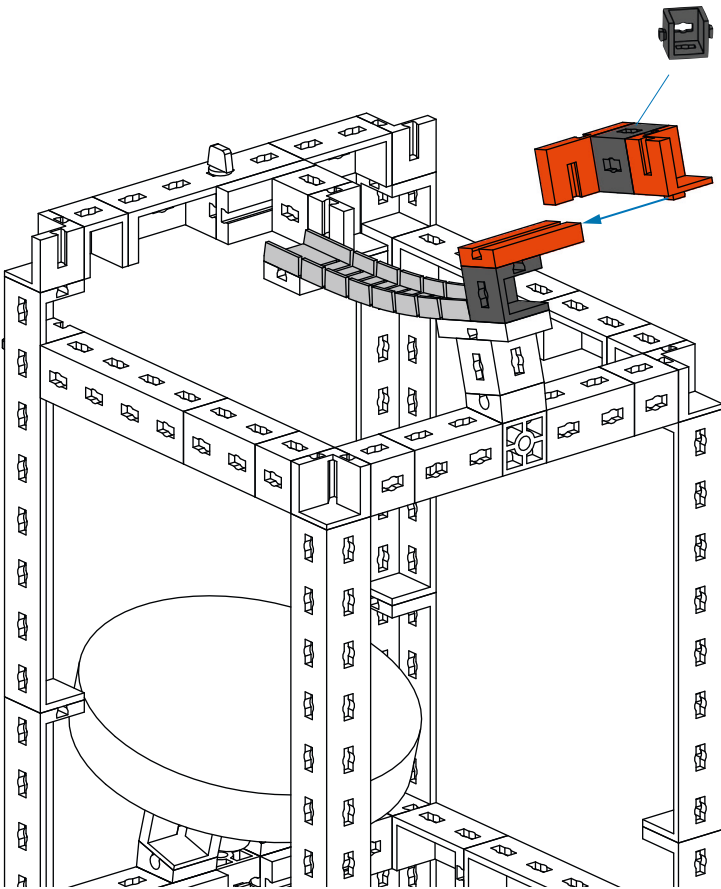






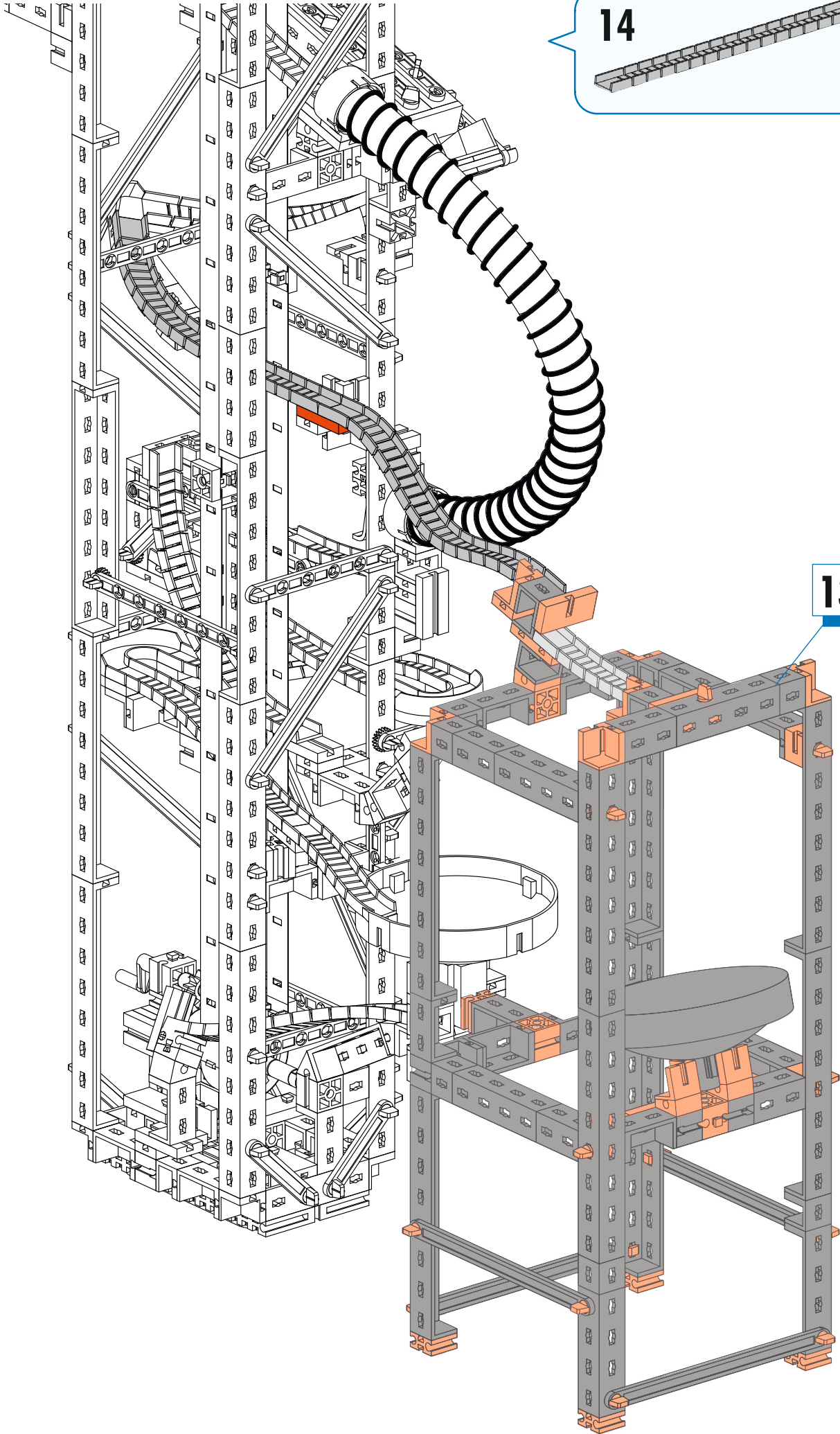
12

- Orange Technic Pin (2x)
- Grey Technic Bush (2x)
- Orange Technic Pin (1x)
- Grey Technic Bush (1x)



13

- Grey Technic Bush (1x)
- Grey Technic Bush (1x)
- Orange Technic Pin (1x)
- Grey Technic Axle (1x)
- Orange Technic Pin (1x)
- Orange Technic Pin (1x)



14

2x

1x

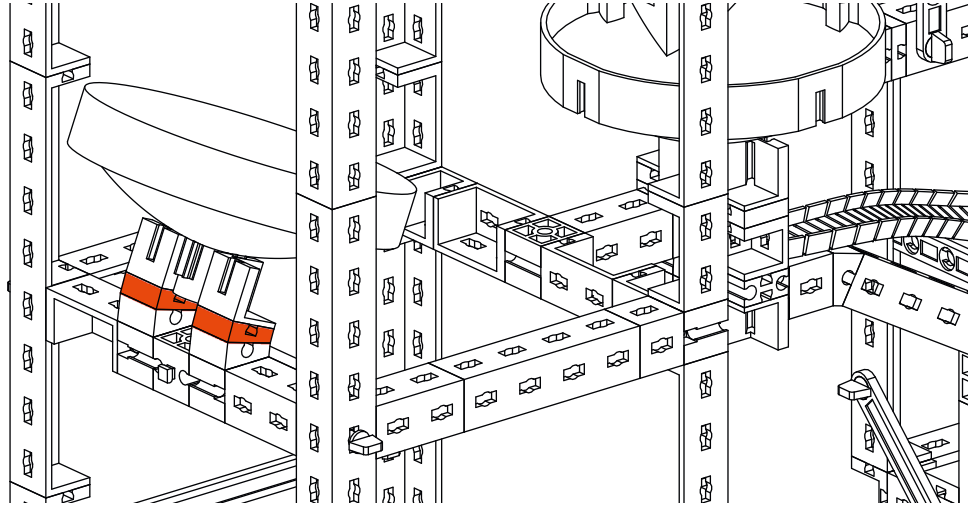
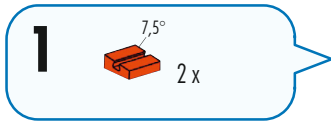
13

Justiermöglichkeiten
Adjustment possibilities
Possibilités de réglage

Instelmogelijkheden
Posibilidades de ajuste
Possibilidades de regulação

Possibilità di regolazione
Возможности регулировки
調整可能性

Winkel	Hoek	Angolo
Angle	Ángulo	угол
Angle	Ângulo	角



Höhe	Hoogte	Altezza
Height	Altura	высота
Hauteur	Altura	高度

