

74LS251

3-STATE 1-of-8 Line Data Selector/Multiplexer

General Description

These data selectors/multiplexers contain full on-chip binary decoding to select one-of-eight data sources, and feature a strobe-controlled 3-STATE output. The strobe must be at a low logic level to enable these devices. The 3-STATE outputs permit direct connection to a common bus. When the strobe input is HIGH, both outputs are in a high-impedance state in which both the upper and lower transistors of each totem-pole output are OFF, and the output neither drives nor loads the bus significantly. When the strobe is LOW, the outputs are activated and operate as standard TTL totem-pole outputs.

To minimize the possibility that two outputs will attempt to take a common bus to opposite logic levels, the output control circuitry is designed so that the average output disable time is shorter than the average output enable time.

Features

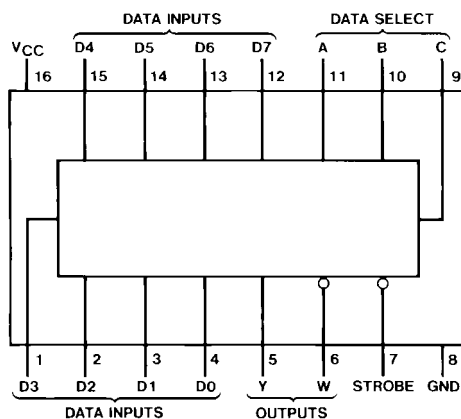
- 3-STATE version of DM74LS151
- Interface directly with system bus
- Perform parallel-to-serial conversion
- Permit multiplexing from N-lines to one line
- Complementary outputs provide true and inverted data
- Maximum number of common outputs: 129
- Typical propagation delay time (D to Y): 17 ns
- Typical power dissipation: 35 mW

Ordering Code:

Order Number	Package Number	Package Description
DM74LS251M	M16A	16-Lead Small Outline Integrated Circuit (SOIC), JEDEC MS-012, 0.150 Narrow
DM74LS251N	N16E	16-Lead Plastic Dual-In-Line Package (PDIP), JEDEC MS-001, 0.300 Wide

Devices also available in Tape and Reel. Specify by appending the suffix letter "X" to the ordering code.

Connection Diagram



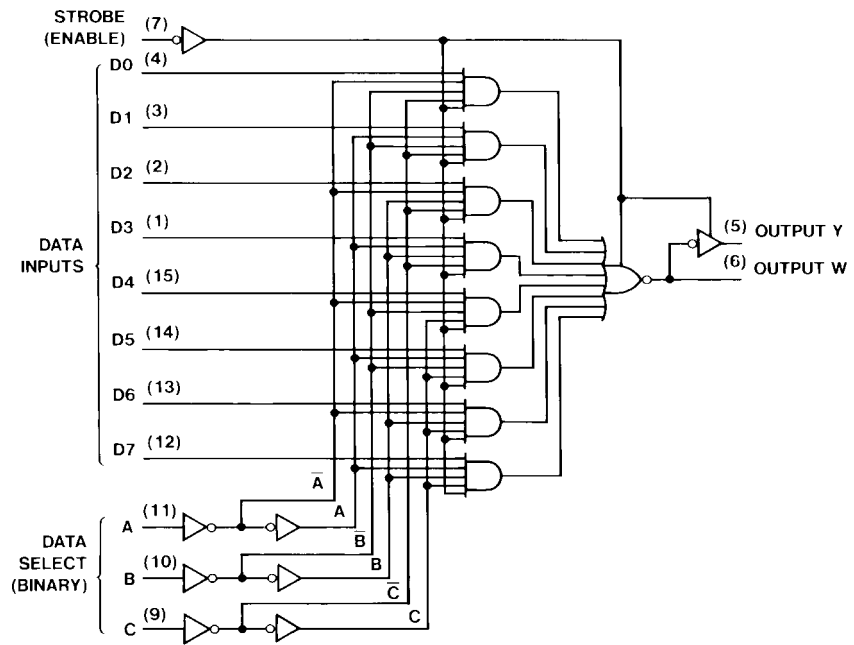
Function Table

Inputs				Outputs	
Select			Strobe S	Y	W
C	B	A			
X	X	X	H	Z	Z
L	L	L	L	D0	$\overline{D0}$
L	L	H	L	D1	$\overline{D1}$
L	H	L	L	D2	$\overline{D2}$
L	H	H	L	D3	$\overline{D3}$
H	L	L	L	D4	$\overline{D4}$
H	L	H	L	D5	$\overline{D5}$
H	H	L	L	D6	$\overline{D6}$
H	H	H	L	D7	$\overline{D7}$

H = HIGH Logic Level
 L = LOW Logic Level
 X = Don't Care
 Z = High Impedance (OFF)
 D0, D1...D7 = The level of the respective D input

DM74LS251

Logic Diagram



Absolute Maximum Ratings(Note 1)

Supply Voltage	7V
Input Voltage	7V
Operating Free Air Temperature Range	0°C to +70°C
Storage Temperature Range	-65°C to +150°C

Note 1: The "Absolute Maximum Ratings" are those values beyond which the safety of the device cannot be guaranteed. The device should not be operated at these limits. The parametric values defined in the "Electrical Characteristics" table are not guaranteed at the absolute maximum ratings. The "Recommended Operating Conditions" table will define the conditions for actual device operation.

Recommended Operating Conditions

Symbol	Parameter	Min	Nom	Max	Units
V _{CC}	Supply Voltage	4.75	5	5.25	V
V _{IH}	HIGH Level Input Voltage	2			V
V _{IL}	LOW Level Input Voltage			0.8	V
I _{OH}	HIGH Level Output Current			-2.6	mA
I _{OL}	LOW Level Output Current			24	mA
T _A	Free Air Operating Temperature	0		70	°C

Electrical Characteristics

over recommended operating free air temperature range (unless otherwise noted)

Symbol	Parameter	Conditions	Min	Typ (Note 2)	Max	Units
V _I	Input Clamp Voltage	V _{CC} = Min, I _I = -18 mA			-1.5	V
V _{OH}	HIGH Level Output Voltage	V _{CC} = Min, I _{OH} = Max V _{IL} = Max, V _{IH} = Min	2.4	3.1		V
V _{OL}	LOW Level Output Voltage	V _{CC} = Min, I _{OL} = Max		0.35	0.5	V
		V _{IL} = Max, V _{IH} = Min I _{OL} = 12 mA, V _{CC} = Min		0.25	0.4	
I _I	Input Current @ Max Input Voltage	V _{CC} = Max, V _I = 7V			0.1	mA
I _{IH}	HIGH Level Input Current	V _{CC} = Max, V _I = 2.7V			20	μA
I _{IL}	LOW Level Input Current	V _{CC} = Max, V _I = 0.4V			-0.4	mA
I _{OZH}	Off-State Output Current with HIGH Level Output Voltage Applied	V _{CC} = Max, V _O = 2.7V V _{IH} = Min, V _{IL} = Max			20	μA
I _{OZL}	Off-State Output Current with LOW Level Output Voltage Applied	V _{CC} = Max, V _O = 0.4V V _{IH} = Min, V _{IL} = Max			-20	μA
I _{OS}	Short Circuit Output Current	V _{CC} = Max (Note 3)	-20		-100	mA
I _{CC1}	Supply Current	V _{CC} = Max (Note 4)		6.1	10	mA
I _{CC2}	Supply Current	V _{CC} = Max (Note 5)		7.1	12	mA

Note 2: All typicals are at V_{CC} = 5V, T_A = 25°C.

Note 3: Not more than one output should be shorted at a time, and the duration should not exceed one second.

Note 4: I_{CC1} is measured with the outputs open, STROBE grounded, and all other inputs at 4.5V.

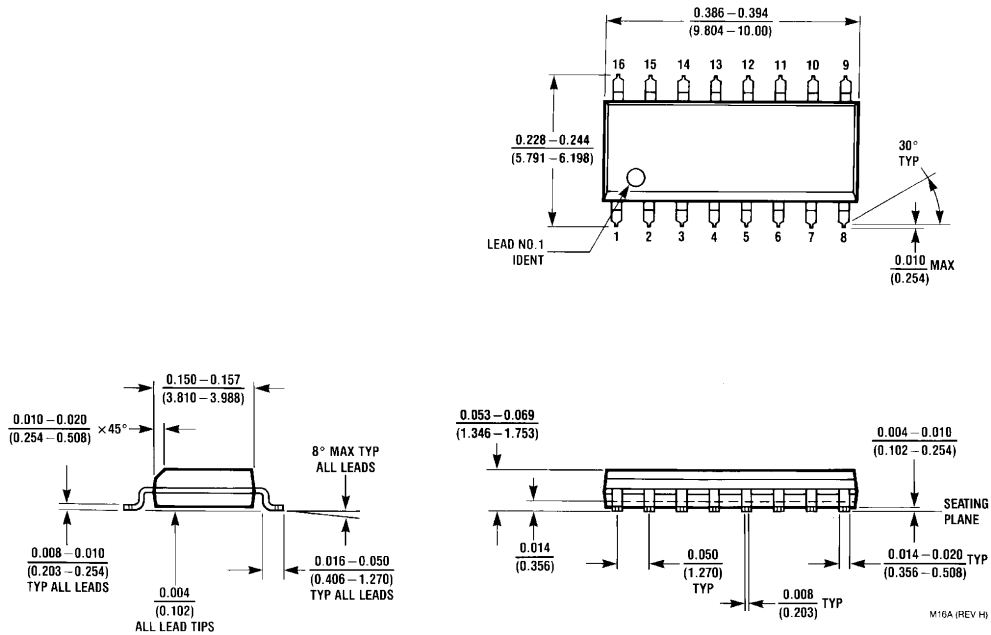
Note 5: I_{CC2} is measured with the outputs open and all inputs at 4.5V.

DM74LS251

Switching Characteristics							
at $V_{CC} = 5V$ and $T_A = 25^\circ C$							
Symbol	Parameter	From (Input) to (Output)	$R_L = 667\Omega$				Units
			$C_L = 45\text{ pF}$		$C_L = 150\text{ pF}$		
			Min	Max	Min	Max	
t_{PLH}	Propagation Delay Time LOW-to-HIGH Level Output	A, B, C (4 Levels) to Y		45		53	ns
t_{PHL}	Propagation Delay Time HIGH-to-LOW Level Output	A, B, C (4 Levels) to Y		45		53	ns
t_{PLH}	Propagation Delay Time LOW-to-HIGH Level Output	A, B, C (3 Levels) to W		33		38	ns
t_{PHL}	Propagation Delay Time HIGH-to-LOW Level Output	A, B, C (3 Levels) to W		33		42	ns
t_{PLH}	Propagation Delay Time LOW-to-HIGH Level Output	D to Y		28		35	ns
t_{PHL}	Propagation Delay Time HIGH-to-LOW Level Output	D to Y		28		38	ns
t_{PLH}	Propagation Delay Time LOW-to-HIGH Level Output	D to W		15		25	ns
t_{PHL}	Propagation Delay Time HIGH-to-LOW Level Output	D to W		15		25	ns
t_{pZH}	Output Enable Time to HIGH Level Output	Strobe to Y		45		60	ns
t_{pZL}	Output Enable Time to LOW Level Output	Strobe to Y		40		51	ns
t_{pHZ}	Output Disable Time from HIGH Level Output (Note 6)	Strobe to Y		45			ns
t_{pLZ}	Output Disable Time from LOW Level Output (Note 6)	Strobe to Y		25			ns
t_{pZH}	Output Enable Time to HIGH Level Output	Strobe to W		27		40	ns
t_{pZL}	Output Enable Time to LOW Level Output	Strobe to W		40		47	ns
t_{pHZ}	Output Disable Time from HIGH Level Output (Note 6)	Strobe to W		55			ns
t_{pLZ}	Output Disable Time from LOW Level Output (Note 6)	Strobe to W		25			ns

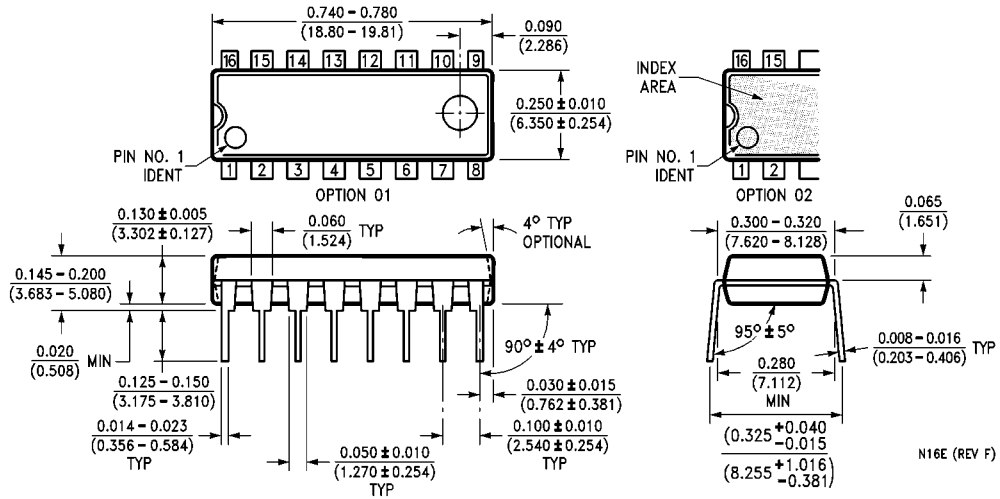
Note 6: $C_L = 5\text{ pF}$

Physical Dimensions inches (millimeters) unless otherwise noted



**16-Lead Small Outline Integrated Circuit (SOIC), JEDEC MS-012, 0.150 Narrow
Package Number M16A**

Physical Dimensions inches (millimeters) unless otherwise noted (Continued)



16-Lead Plastic Dual-In-Line Package (PDIP), JEDEC MS-001, 0.300 Wide Package Number N16E