

# Filterelement

Filter element

0660D0100N

## Material-Nr.:

Material no.:

## Bezeichnung:

Designation:

## Filterfeinheit<sup>1</sup>:

10 µm

Filtration grade<sup>1</sup>:

## Filtrationsquotient<sup>1</sup>:

$\beta_{10}(c) = 200 / \beta_{11}(c) = 1000$  (ISO 16889)

Filtration ratio<sup>1</sup>:

## Filtermaterial<sup>1</sup>:

Glasfasermaterial PWR / H..XL

Filter media<sup>1</sup>:

glass fiber material PWR / H..XL

## Kollapsdruckbeständigkeit bar [psi]:

30 [435]

Collapse pressure rating bar [psi]:

## Temperaturbeständigkeit °C [°F]:

-40...100 [-40...212]

Temperature rating °C [°F]:

## Bypass Öffnungsdruck bar [psi]:

∅

Bypass cracking pressure bar [psi]:

## Dichtungswerkstoff:

NBR

Sealing material:

## Abmessungen mm [inch]:

Dimensions mm [inch]:

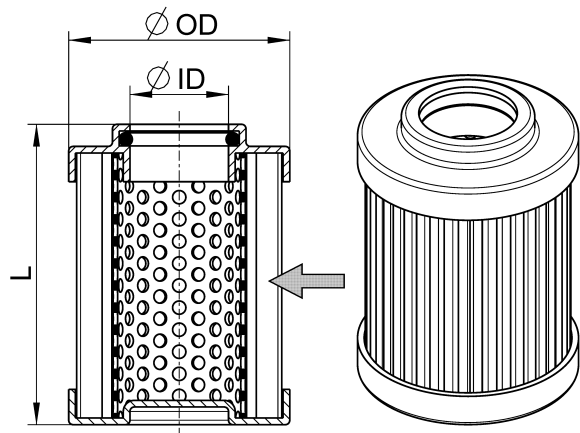
OD = 90,5 [3.6]

ID = 48,1 [1.9]

L = 329,0 [12.9]

Gewicht kg [lbs]: 1,3 [2.9]

Weight kg [lbs]:



Vereinfachte Darstellung  
The drawing shown is a simplistic representation