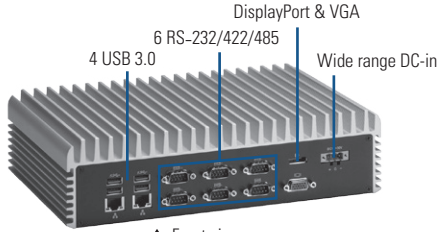
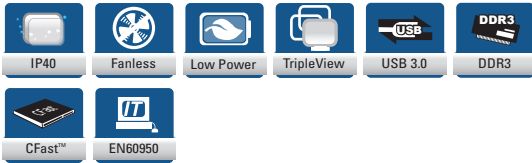


eBOX670-883-FL

Fanless Embedded System with LGA1150 Socket Intel® Core™ i7/i5/i3 & Celeron® processor, Intel® Q87, HDMIx2/VGA/DisplayPort, 4 GbE LAN, 6 USB 3.0, Wide Range DC-in and PCIe Mini Card



▲ Front view



Specifications

Standard Color	Silver-Black
Construction	Aluminum extrusion and heavy-duty steel, IP40
CPU	LGA1150 socket 4th generation Intel® Core™ i7/i5/i3 & Celeron® processor (CPU TDP max. up to 45W)
System Memory	2 x 204-pin DDR3-1333/1600MHz SO-DIMM max. up to 16 GB
Chipset	Intel® Q87
BIOS	AMI
System I/O Outlet	6 x RS-232/422/485 (COM1 ~ 6) 2 x HDMI 1 x VGA 1 x DisplayPort 1 x Audio (Mic-in/Line-out) 4 x 10/100/1000Mbps Ethernet (Intel® i210-IT, I217LM) 6 x USB 3.0 32 channel programmable DI/DO 3 x SMA type connector opening for antenna 1 x VDC 9~36V power input connector 1 x ATX power switch with status indicator
Watchdog Timer	255 levels, 1~255 sec.
Storage	2 x 2.5" SATA HDD drive bay (Supports RAID 0 & 1) 1 x CFast™ slot 1 x mSATA
Expansion Interface	2 x Full-size PCI Express Mini Card slots (USB+PCI Express signal) 1 x SIM slot
System Indicator	1 x orange LED for HDD active 2 x green LED for programmable 1 x orange/blue LED for system status (in ATX switch)
Power Supply	DC input 9~36V
Operating Temperature	-40°C ~ +55°C (-40°F~131°F) (with W.T. SSD, CPU TDP 35W) -40°C ~ +50°C (-40°F~122°F) (with W.T. SSD, CPU TDP 45W)
Storage Temperature	-45°C ~ +80°C (-49°F ~ +176°F)
Humidity	10% ~ 90% , non-condensing
Vibration Endurance	3 Grms with CFast™ (5 - 500Hz, X, Y, Z directions)
Dimensions	280 mm (11.02") (W) x 190 mm (7.48") (D) x 70 mm (2.75") (H)
Weight (net/gross)	3.8 kg (8.37 lb)/ 4.6 kg (10.14 lb)
Certificate	CE, EN60950 Compliance
EOS Support	WEBS, WES7, Linux

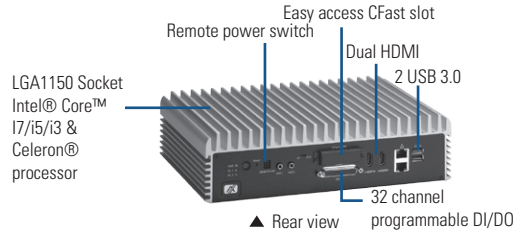
Packing List

- 1 x quick manual
- 1 x driver cd
- 1 x screw pack
- 4 x foot pad

* All specifications and photos are subject to change without notice.

Features

- LGA1150 socket 4th generation Intel® Core™ i7/i5/i3 & Celeron® processor (Haswell) with Intel® Q87
- Fanless operation design with full feature I/O
- 204-pin DDR3-1333/1600 SO-DIMM max. up to 16 GB
- Two 2.5" SATA drive bay, 1 CFast™ slot and mSATA
- Two internal PCI Express Mini Card slots, 1 SIM slot
- Supports 2 HDMI, VGA and DisplayPort for triple independent display
- Supports Jumbo Frame (9.5k), WoL, PXE Remote Boot, Teaming
- Supports wide range 9-36VDC



▲ Rear view

Power Protection

DC Version

- OVP (over voltage protection)
- UVP (under voltage protection)
- OCP (over current protection)
- SCP
- Reverse protection

Ordering Information

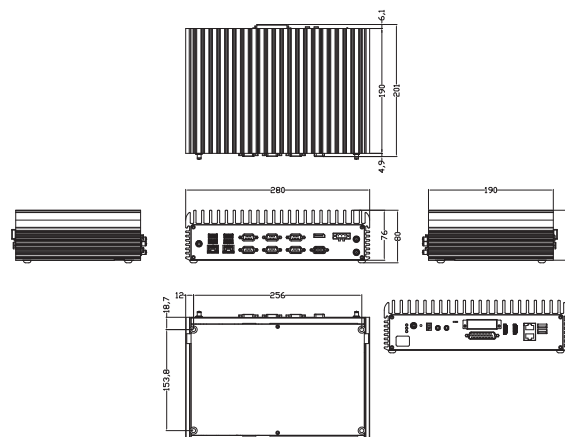
Standard	
eBOX670-883-FL-DC	Fanless embedded system with LGA1150 socket 4th generation Intel® Core™ i7/i5/i3 & Celeron® processor, Intel® Q87, HDMI x 2/VGA/Display, 4 GbE LAN, 6 USB 3.0, CFast™, PCIe Mini Card and 9~36VDC

Optional

2.5" SATA HDD	80 GB or above
2.5" SATA SSD	40 GB or above
DDR3 SO-DIMM	1 GB ~ 16 GB
CFast™	512 MB or above
Wi-Fi module	
3G module	
GPS module	
Wall mount kit	
AC power kit	
Power Cord	

*Specifications and certifications are based on options and may vary.

Dimensions



Overview

1

Embedded Systems

Embedded Systems for Transportation

Embedded Field Controllers

Industrial Firewall

Digital Signage Solutions

Embedded MicroBoxes

Industrial Barebone Systems

Industrial Chassis

Backplanes

Power Supplies

Peripherals & Accessories