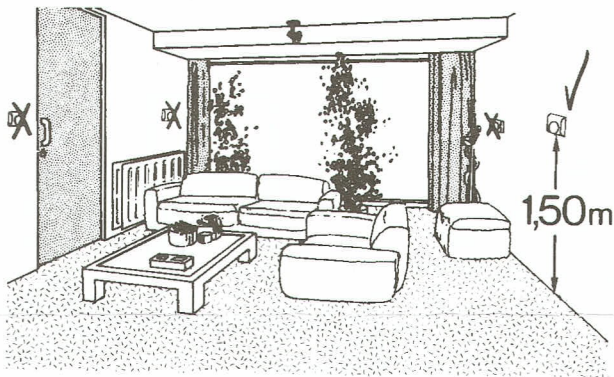
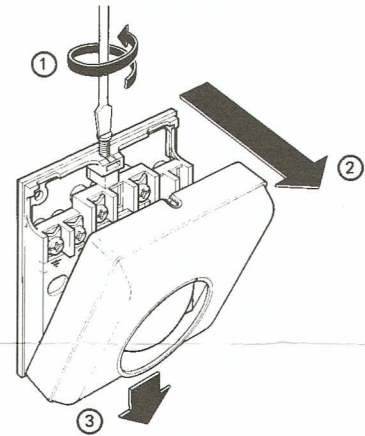


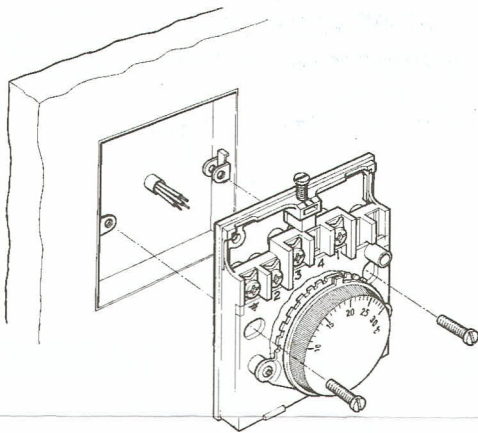
42010241-001 R2



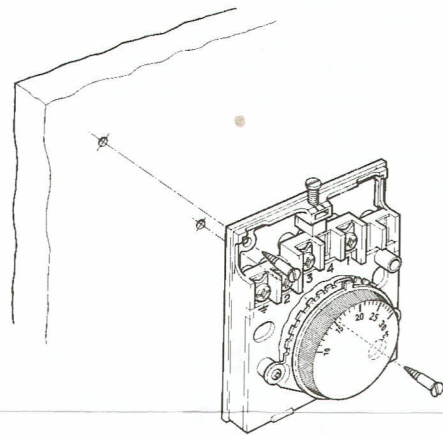
1



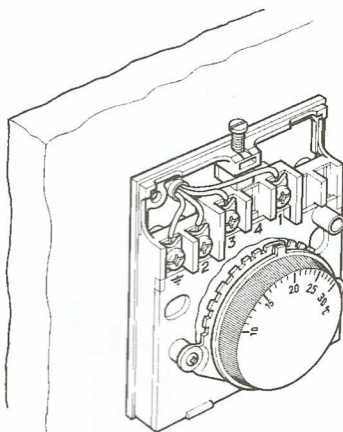
2 a



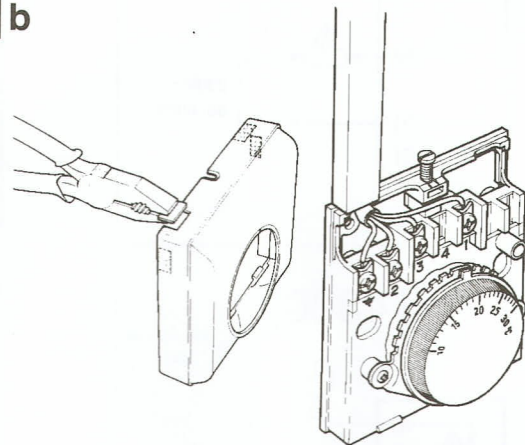
2 b



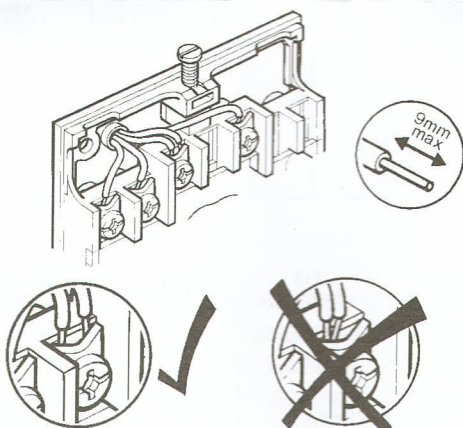
3 a



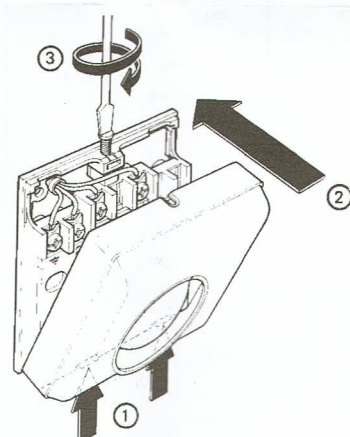
3 b



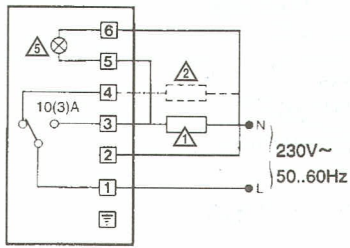
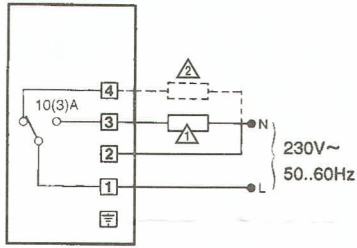
4



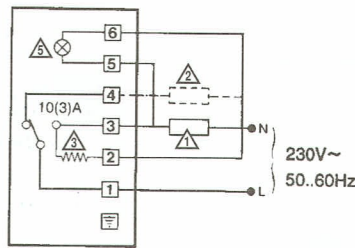
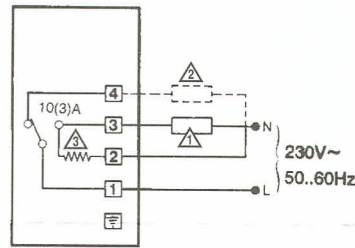
5



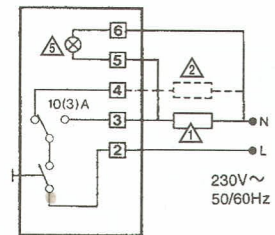
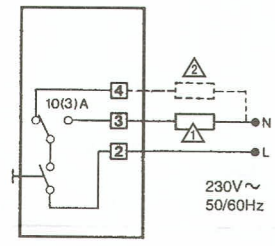
T6360A



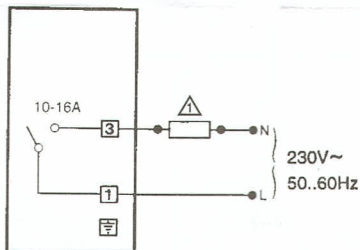
T6360B



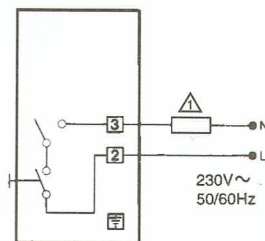
T6360C



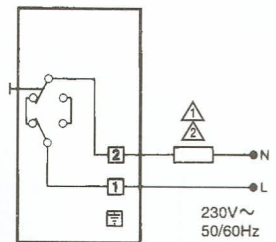
T4360B



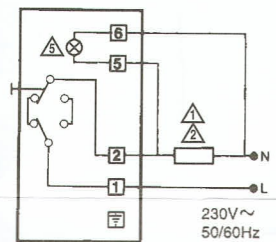
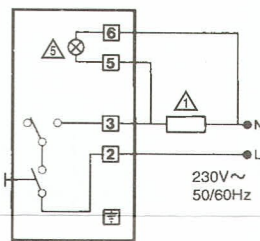
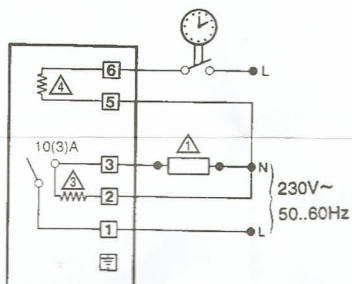
T4360C



T4360D



T4360E



	GB	FR	D	IT	ESP	NL	FI	SW	DK	N
	HEATING LOAD	CHARGE CHAUFFAGE	HEIZLAST	APPARECCHIATURE DI RISCALDAMENTO	CARGA CALEFACCION	VERWARMINGSKRING	LAMMITYSKUORMA	LAST-VARME	VARMEBELASTNING	LAST OPPVARMING
	COOLING LOAD	CHARGE REFRIGERISSEMENT	KUHLLAST	APPARECCHIATURE DI RAFFREDDAMENTO	CARGA REFRIGERACION	KOELINGSKRING	JAHDYTYSKUORMA	LAST-KYLA	KOLEBELASTNING	LAST KJØLING
	HEAT ANTICIPATOR	ACCELERATION THERMIQUE	THERMISCHE RUCKFUHRUNG	ANTICIPATORE TERMICO	ANTICIPADOR TERMICO	WARMEVEERSNELINGS-ELEMENT	ENNAKOINTIVASTUS	ACCELERATIONS-ELEMENT	ACCELERATOR	AKSELRASJONS-ELEMENT
	NIGHT SETBACK HEATER	CHAUFFAGE DE RALENTI NOCTURNE	HEIZWIDERSTAND FÜR NACHTABSENKUNG	RISCALDATORE PER LA RIDUZIONE NOTTURNA	RESISTENCIA PARA DESCENSO NOCTURNO DEL PUNTO DE CONTROL	VERLAAGDE NACHTTEMPERATUUR	LAMMITYSVASTUS YOLAMPOTILAN ALENTAMISEKSI	ELEMENT FOR NATTNEDSATNING	NAT SAENKNING HEATER	ELEMENT FOR NATTNEDSETTING
	INDICATOR LAMP	LAMPE DE SIGNALISATION	MELDELAMPE	LAMPADA D'INDICAZIONE	LAMPARA SENALIZACION	SIGNAALLAMP	MERKKILAMPPI	INDIKERINGS-LAMPA	KONTROLLAMPE	INDIKERINGSLAMPE