



LP-2241MX-4GE

4G Linux Based PAC with Cortex-A8 CPU and 2 LAN Ports
Metal Case

Features

- Cortex-A8 (1.0 GHz) CPU
- Linux kernel 3.2.14 Inside
- 512 MB RAM and 512 MB Flash
- 64-bit Hardware Serial Number
- I/O Expansion Bus
- 10/100/1000M Dual Ethernet Ports
- 4 Serial Ports (RS-232/485)
- 4G Modem
- Operating Temperature: -25 to +75 ° C

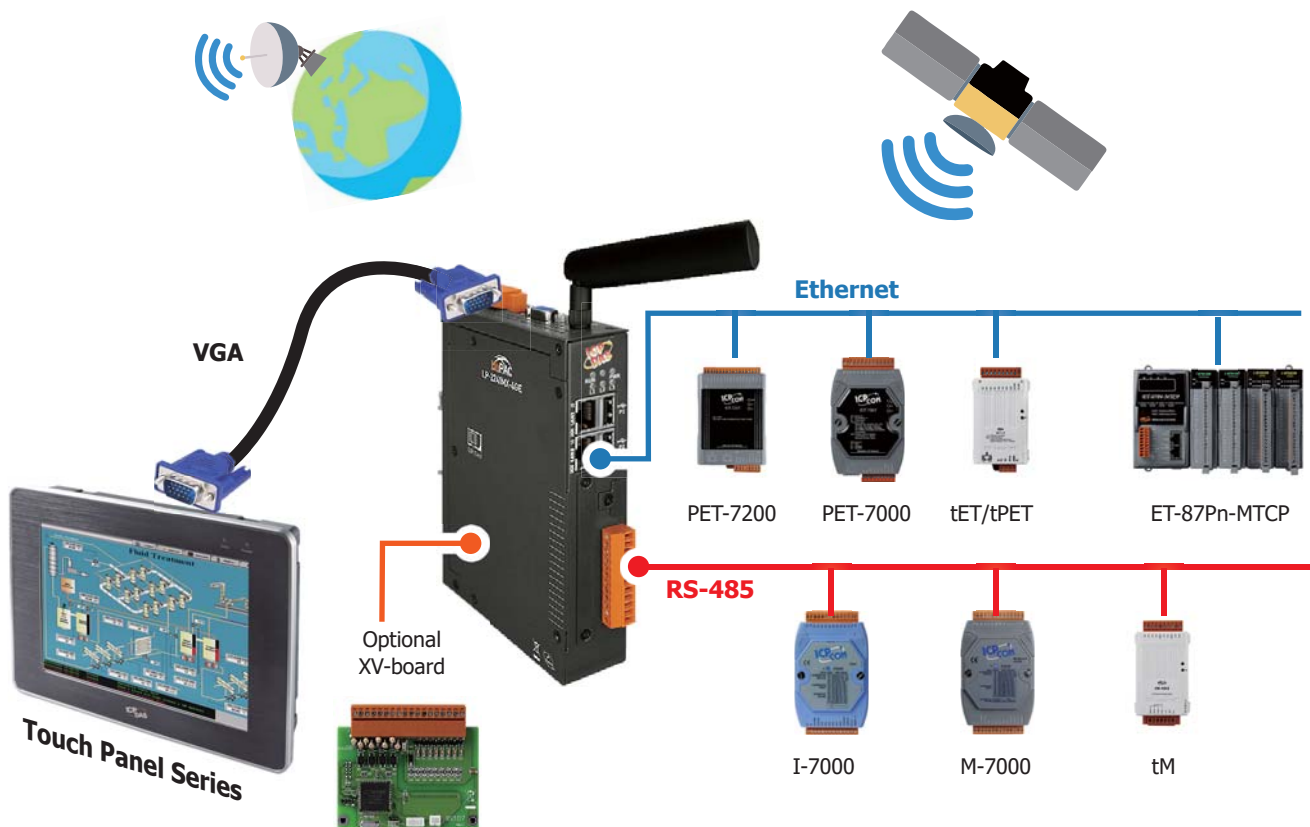


Introduction

The LP-2241MX-4GE is equipped a Cortex-A8 CPU (1 GHz) and using Linux operating system (Linux Kernel 3.2.14). Linux Kernel 3.2.14 is a compact and real-time OS used to quickly create time critical and high performance applications. Main advantage of the LP-2241MX-4GE is its high quality control system, including its stability, small core size, optional I/O expansion board, support for Web services (Web/SFTP/SSH server).

The 4G module work on frequencies of WCDMA 2100/900/850 MHz, FDD LTE: B1/B3/B5/B7/B8/B20 and GSM 850/900/1800/1900 MHz. These modules utilize the 3G/4G network for convenient and inexpensive data transfer from remote instruments, meters, computers or control systems in either live data or packet data. These modules has the integrated TCP/IP stack so that even simple controllers with serial communications ports can be connected to the modem without the need for special driver implementation. With the features of theirs, the systems can be SMS and GPRS/3G/4G connection applications with our PAC.

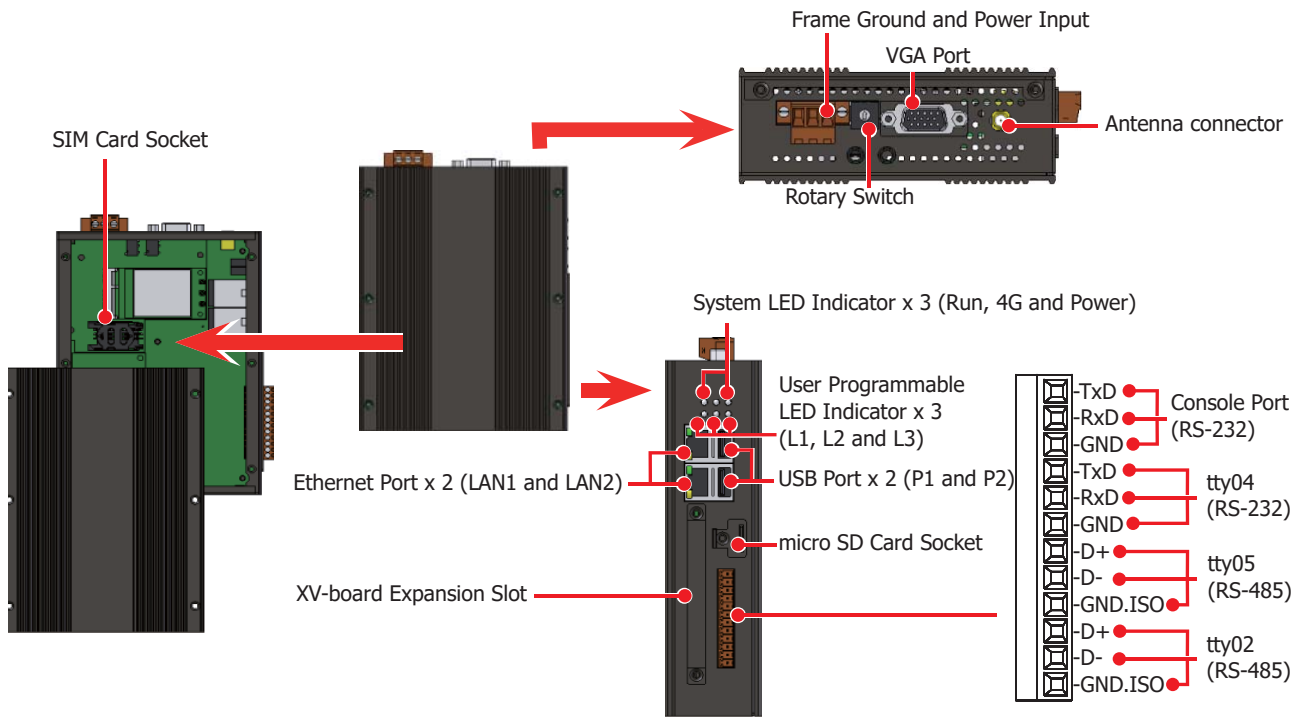
Applications



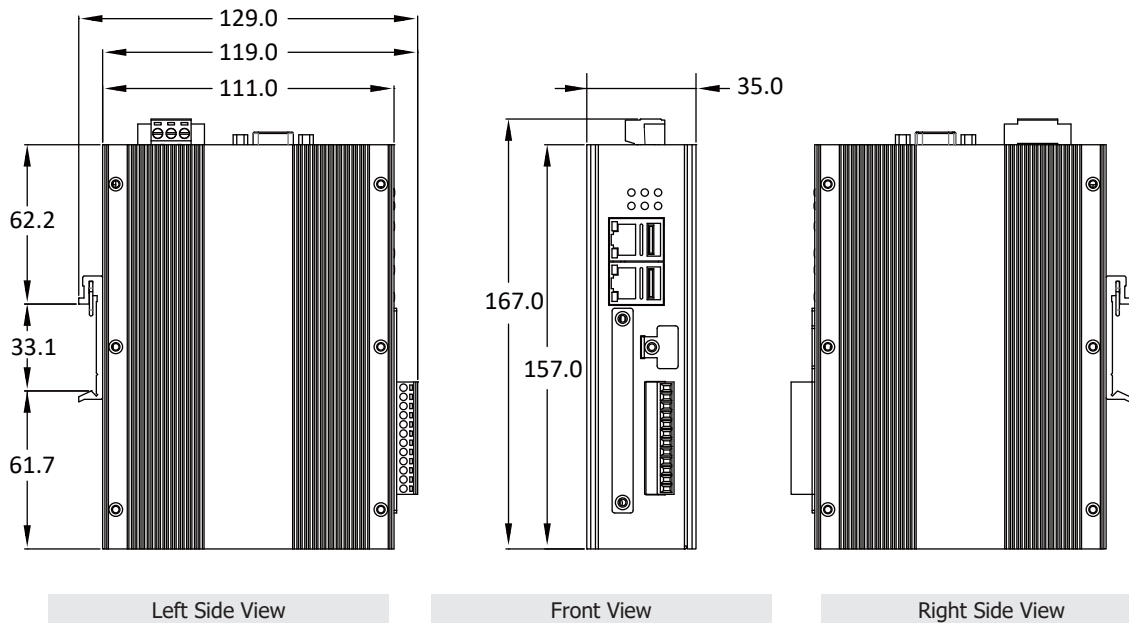
Specifications

Model	LP-2241MX-4GE
System Software	
OS	Linux Kernel 3.2.14
Service	SFTP server, Web server, SSH
SDK	LinPAC SDK (GCC based toolchain and LinPAC Libraries)
CPU Module	
CPU	Cortex-A8, 1 GHz
SDRAM	512 MB DDR3
Flash	512 MB
FRAM	64 KB
Storage	4 GB microSD card (up to 32 GB)
RTC (Real Time Clock)	Provide seconds, minutes, hours, dates, day of week, month, year
64-bit Hardware Serial Number	Yes, for software copy protection
Watchdog Timer	Dual Watchdog Timer
Rotary Switch	1 x 10 Position (0 ~ 9)
Buzzer	Yes
Display	
VGA Resolution	Up to 1280 x 1024
LED Indicator	1 x 4G, 1 x Run, 1 x Power and 3 x Programmable
Communication Port	
Ethernet	2 x RJ-45, 10/100/1000 Based-TX (Auto-negotiating, Auto MDI/MDI-X, LED indicators)
USB 2.0 (host)	2
Console Port	RS-232 (RxD, TxD and GND); Non-isolated
ttyO2	RS-485 (Data+, Data-); Non-isolated
ttyO4	RS-232 (RxD, TxD and GND); Non-isolated
ttyO5	RS-485 (Data+, Data-); 2500 VDC isolated
I/O Expansion	
I/O Expansion Bus	One optional XV-board
Mechanical	
Casing	Metal
Dimensions (W x L x H)	35 mm x 167 mm x 119 mm
Ingress Protection Rating	IP30 (Aluminum)
Installation	DIN-Rail, Wall mounting (optional)
Environmental	
Operating Temperature	-25 ~ +75 °C
Storage Temperature	-40 ~ +80 °C
Ambient Relative Humidity	10 ~ 95 % RH, Non-condensing
Power	
Input Range	+12 ~ +48 VDC
Consumption	4.8 W (0.2 A @ 24 VDC)
GSM	
Data GPRS	Downlink transfer: Max. 85.6 kbps, Uplink transfer: Max 42.8 kbps
Frequency Band	GSM: 850/900/1800/1900 MHz
GPRS Connectivity	GPRS class 12/10, GPRS station class B
3G System	
Data Transmission	DC-HSPA+ Download: Max. 42 Mbps, Upload: Max 5.76 Mbps; TD-SCDMA Download: Max. 4.2 Mbps, Upload: Max 2.2 Mbps; CDMA2000 EVDO Download: Max. 14.7 Mbps; Upload: Max 5.4 Mbps
Frequency Band	WCDMA 850/900/2100 MHz
4G System	
Data Transmission	Download Max 100 Mbps/Upload Max 50 Mbps
Frequency Band	FDD LTE: B1/B3/B5/B7/B8/B20
GPS	
Channels	32
Protocol	NMEA 0183

Appearances



Dimensions (Units: mm)



Ordering Information

LP-2241MX-4GE CR	4G Linux Based PAC with Cortex-A8 CPU and 2 LAN Ports, Metal Case (RoHS)
-------------------------	--

Accessories

XV-Board	Add-on I/O Expansion Board
-----------------	----------------------------