

SPRING RETURN PLANT VALVE ACTUATORS

ACTUATORS

BxFx.03

3 Nm, ON/OFF, FLOATING AND PROPORTIONAL CONTROL ROTARY ACTUATORS FOR BALL VALVES

The BxFx.03(S)(Z) Series Electric Spring Return Actuators are direct-mount actuators.

These bidirectional actuators are used to provide accurate positioning on JVx05 Series DN15 up to DN25 all valves in Heating, Ventilating and Air Conditioning (HVAC) applications.

One Integral line voltage auxiliary switch, available only on the BxFx.03S(Z) models, indicate end-stop position, or perform switching functions within the selected rotation range.

A graduated scale from 0% to 100% and a position indicator provide visual indication of the valve's opening.

When power fails during service, the mechanical spring return system open or close the valve ports.

The series includes the following control options:

- ON/OFF, 24 VAC/DC, 100 to 240 VAC power
- ON/OFF and Floating control, 24 VAC/DC power
- Proportional, 24 VAC/DC power, for 0(2) to 10 VDC or 0(4) to 20 mA control

FEATURES

- 3 Nm rated torque
- Mechanical Spring Return System
- Direct-coupled design
- Reversible mounting
- Rugged IP54 rated enclosure
- Electronic stall detection
- Double-insulated construction
- Microprocessor controlled brushless DC Motor (BBF1.03Z and BMF1.03Z models)
- External mode selection switch (BBF1.03Z and BMF1.03Z models)
- Integral cables with colored and numbered conductors
- Optional integrated auxiliary switch
- Override control (proportional models only)
- UL, CE, and C-Tick Compliance
- Manufacturing under International Standards Organization (ISO) 9001 Quality Control Standards

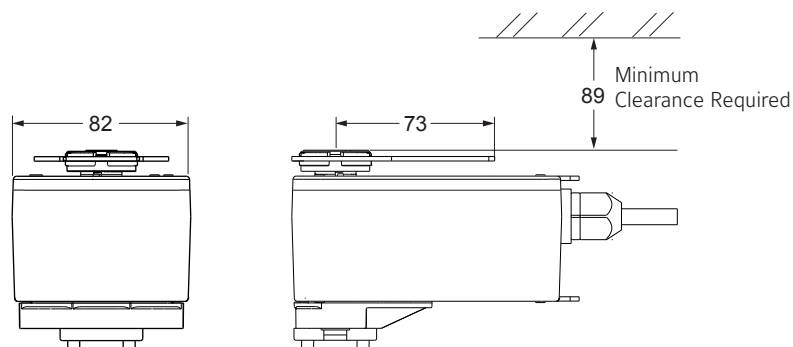


SPRING RETURN PLANT VALVE ACTUATORS



BxFx.03

DIMENSIONS (in mm)



ORDERING INFORMATION

CODES	TORQUE (Nm)	RUNNING TIME (s/mm)		CONTROL SIGNALS	SUPPLY VOLTAGE (50/60 Hz)	1 AUXILIARY SWITCH
		Motor	Spring			
BMF1.03Z	3	90	12...17	Proportional	24 VAC/DC	---
BMF1.03SZ						■
BBF1.03Z				ON/OFF and Floating		---
BBF1.03SZ						■
BAF1.03		53...71	19...23	ON/OFF	100 to 230 VAC	---
BAF1.03S						■
BAF2.03				---		
BAF2.03S				■		

ACCESSORIES (ORDER SEPARATELY)

CODES	DESCRIPTION
M9000-560	Ball Valve Linkage Kit for applying 3 Nm and 8 Nm Series Actuators to JVx05 Series Valves (quantity 1)
M9000-561	Thermal Barrier Extends 4 Nm, 3 Nm and 8 Nm Series Electric Spring Return Actuator applications to include low pressure steam (quantity 1)
M9000-342	Weathershield kit for JVx05 series ball valve application of 4 Nm, 3 Nm and 8 Nm Series Electric Spring Return Actuators (quantity 1)
M9000-607	Position indicator for JVx05 series ball valve applications (quantity 5)