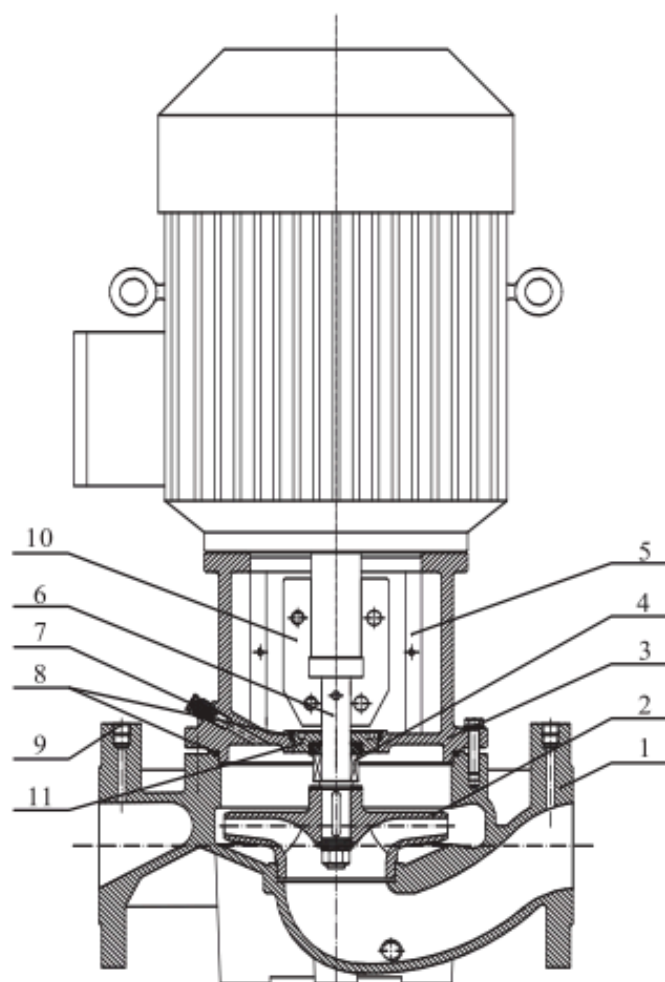


Structure TK32-18/2-TK125-14/4



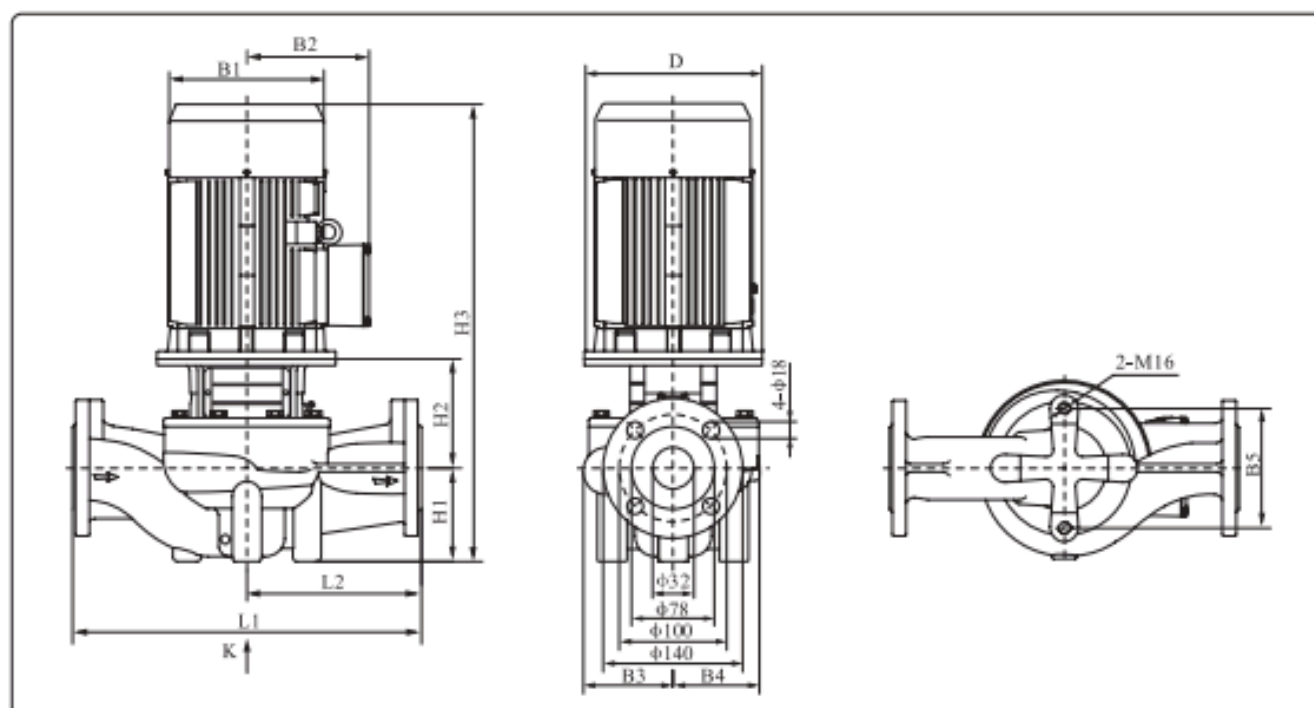
Materials TK32-18/2-TK125-14/4

No.	Spare parts	Materials	GB	EN DIN	AISI/ASTM
1	Pump casing	Cast iron	GB 9439-HT200	EN 1561 EN-GJL-200	ASTM25B
2	Impeller	Cast iron	GB 9439-HT200	EN 1561 EN-GJL-200	ASTM25B
		Stainless steel	GB/T20878-06Cr19Ni10	EN 10088 1.4301	AISI304
3	Pump head	Cast iron	GB 9439-HT200	EN 1561 EN-GJL-200	ASTM25B
4	Mechanical seal	/	/	/	/
5	Guard plate	Stainless steel	GB/T20878-06Cr19Ni10	EN10088-1.4301	AISI304
6	Pump shaft	Stainless steel	GB/T20878-20Cr13	EN10088-1.4021	AISI420
7	Air vent	Stainless steel	GB/T20878-06Cr19Ni10	EN10088-1.4301	AISI304
8	O ring	NBR	/	/	/
9	Nut	Stainless steel	GB/T20878-06Cr19Ni10	EN10088-1.4301	AISI304
10	Coupling	Cast iron	GB 1348-QT500-7	EN 1563 EN-GJS-500-7	ASTM 65-45-12
11	Seal seat	Carbon steel	45#	C45	ASTM1045

Performance data

Pump model	Power		Q (m ³ /h)	2	4	6	8	10	12.5	14	16
	(kW)	(HP)									
TK32-18/2	1.1	1.5	H (m)	19.4	19.1	18.7	18	16.7	14.3		
TK32-21/2	1.5	2		24.5	24.2	23.9	23.3	22.5	21	19.4	15.9
TK32-25/2	2.2	3		28.3	28.2	28	27.5	26.7	25	23.6	20.7
TK32-32/2	3	4		34.3	34.2	33.9	33.6	33.1	32	30.8	28.2
TK32-38/2	4	5.5		39.8	39.8	39.7	39.4	39	38	37	35.2
TK32-50/2	5.5	7.5		51.7	51.6	51.4	51.1	50.7	50	49.3	48

Installation dimensions and weight



Pump model	Dimension [mm]											Weight [kg]
	D	B1	B2	B3	B4	B5	H1	H2	H3	L1	L2	
TK32-18/2	120	170	142	125	117	144	100	189	540	340	170	36
TK32-21/2	140	190	155	125	117	144	100	199	592	340	170	40
TK32-25/2	140	190	155	125	117	144	100	199	592	340	170	42
TK32-32/2	160	197	165	125	117	144	100	205	619	340	170	48
TK32-38/2	160	230	188	144	144	144	100	207	642	440	220	64
TK32-50/2	200	260	208	144	144	144	100	227	737	440	220	85

Performance cruve

