

GXV3380 Phone Setup

The GXV3380 can be installed on the desktop using the built-in stand or attached on the wall using the slots for wall mounting (wall mount is sold separately).

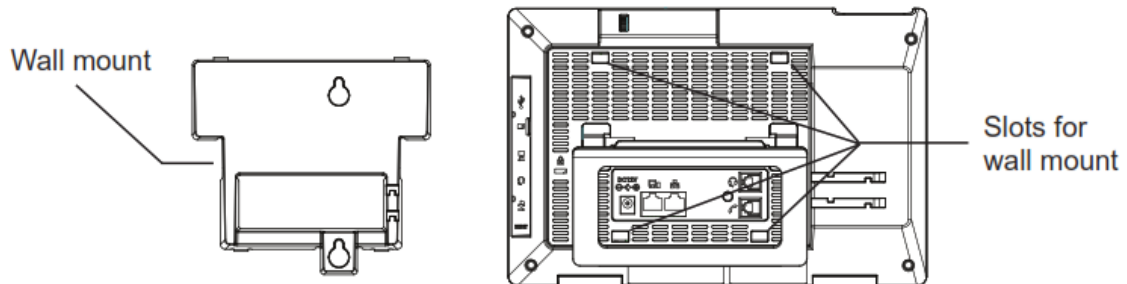


Figure 2: GXV3380 Phone Setup

Using the Phone Stand

The GXV3380 has a built-in phone stand. To use it, pull out the phone stand handle on the back of the phone. Adjust the angle as preferred and make sure the phone stands still on the desktop.

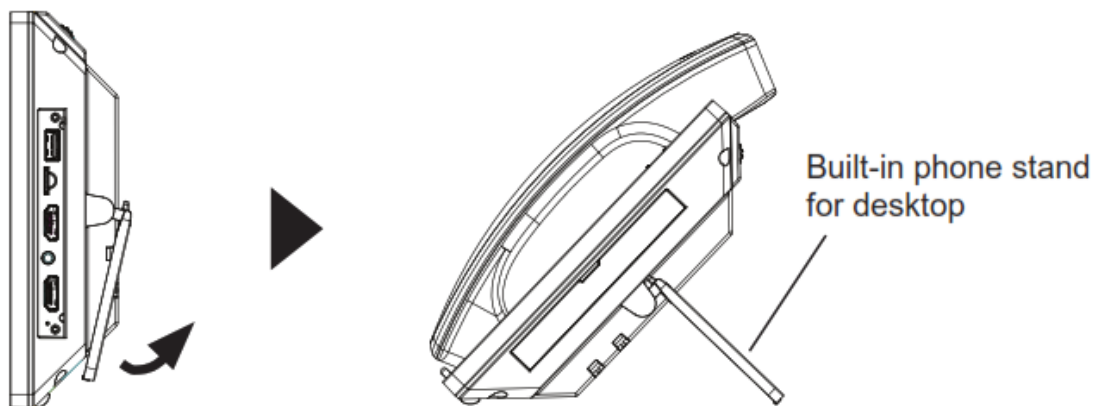


Figure 3: GXV3380 Phone Setup – Phone Stand

Using the Slots for Wall Mounting

1. Attach the wall mount (sold separately) to the slots on the back of the phone;
2. Attach the phone to the wall via the wall mount hole;
3. Pull out the tab from the handset cradle (see figure below);



4. Rotate the tab and plug it back into the slot with the extension up to hold the handset while the phone is mounted on the wall.

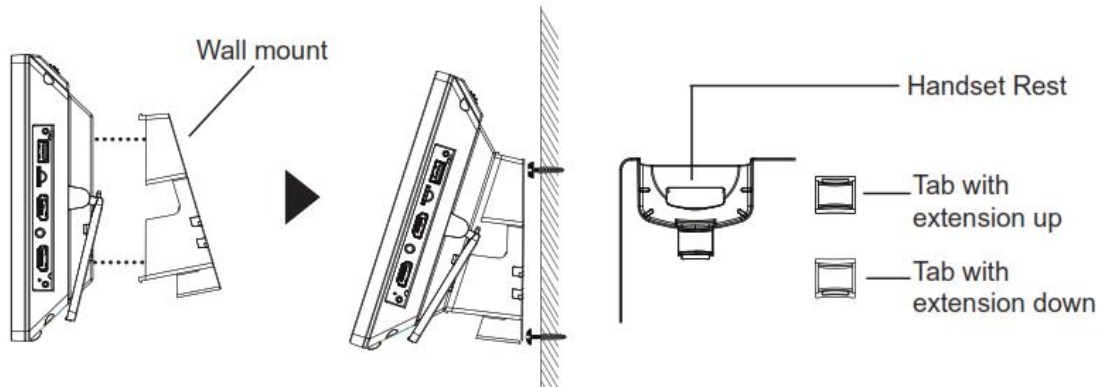


Figure 4: GXV3380 Phone Setup – Wall Mount

Connecting the GXV3380

To setup your GXV3380, please follow the steps below:

1. Connect the handset and main phone case with the phone cord;
2. Connect the LAN port of the phone to the RJ-45 socket of a hub/switch or a router (LAN side of the router) using the Ethernet cable;
3. Connect the 12V DC output plug to the power jack on the phone; plug the power adapter into an electrical outlet. If PoE switch is used in step 2, this step could be skipped;
4. The LCD will display booting up or firmware upgrading information. Before continuing, please wait for the main screen display to show up;
5. Using the web configuration interface or from the menu of the touch screen, you can further configure network connection using static IP, DHCP and etc.

