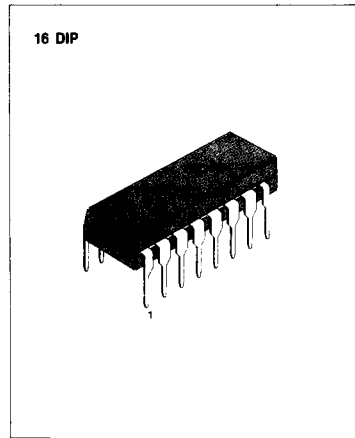


5-BAND GRAPHIC EQUALIZER AMPLIFIER

The KA2223 is a monolithic integrated circuit consisting of an operational amplifier with five resonant circuits and a active filter, and it is suitable for radio-cassette tape recorders, car stereos or music center audio systems.

FEATURES

- Tone control with independent adjustment of each band through an external capacitor.
- Gain control through an external variable resistor.
- Increasing the bands by adding resonant circuit or using two KA2223 in series.
- Low noise ($V_{NO} = 7\mu V$: Typ. Flat).
- Low distortion (THD=0.02% Typ. $f = 1\text{KHz}$ Flat).
- Large allowable input ($V_i = 2.3V$: Typ, $V_{CC} = 9V$, $f = 1\text{KHz}$ Flat).
- Operating supply voltage range: $V_{CC} = 5V \sim 13V$



ORDERING INFORMATION

Device	Package	Operating Temperature
KA2223	16 DIP	-20°C ~ +70°C

BLOCK DIAGRAM

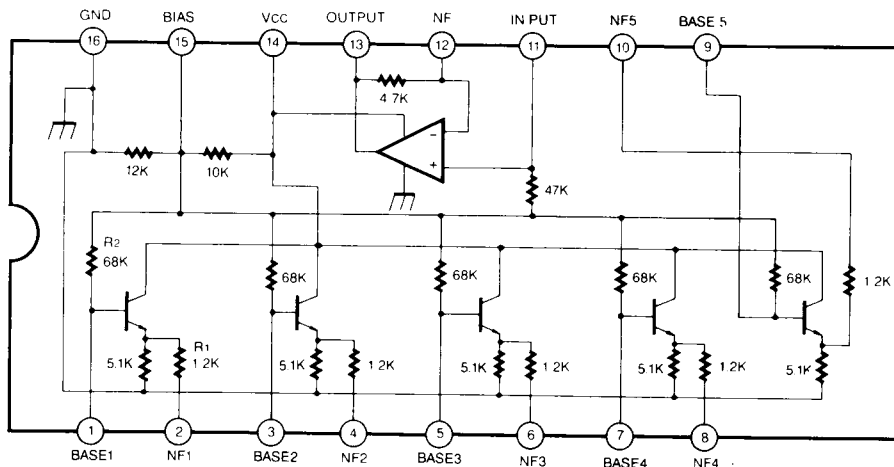


Fig. 1

ABSOLUTE MAXIMUM RATINGS (Ta = 25°C)

Characteristic	Symbol	Value	Unit
Supply Voltage	V _{CC}	20	V
Power Dissipation	P _D	700	mW
Operating Temperature	T _{OPR}	-20 ~ +70	°C
Storage Temperature	T _{STG}	-55 ~ +125	°C

ELECTRICAL CHARACTERISTICS

(Ta = 25°C, V_{CC} = 9V unless otherwise specified)

Characteristic	Symbol	Test		Min	Typ	Max	Unit		
		f(Hz)	Conditions						
Quiescent Circuit Current	I _{CCO}		V _I = 0	3.0	5.2	8.0	mA		
Voltage Gain	Flat	G _V (Flat)	1K	V _I = -10dBm	-3.8	-0.8	2.2	dB	
									108
	Boost	G _V (Boost)	1.08K	V _I = -10dBm	8	10.5	12	dB	
									343
									3.43K
									10.8K
	Cut	G _V (Cut)	1.08K	V _I = -10dBm	-12	-10.5	-8	dB	
									343
									1.08K
									3.43K
10.8K									
Total Harmonic Distortion	THD	1K	V _I = 1V		0.02	0.1	%		
Output Noise Voltage	V _{NO}	Flat, Input Short BW(-3dB) = 10Hz ~ 30KHz			7.0	30	μV		

TEST CIRCUIT

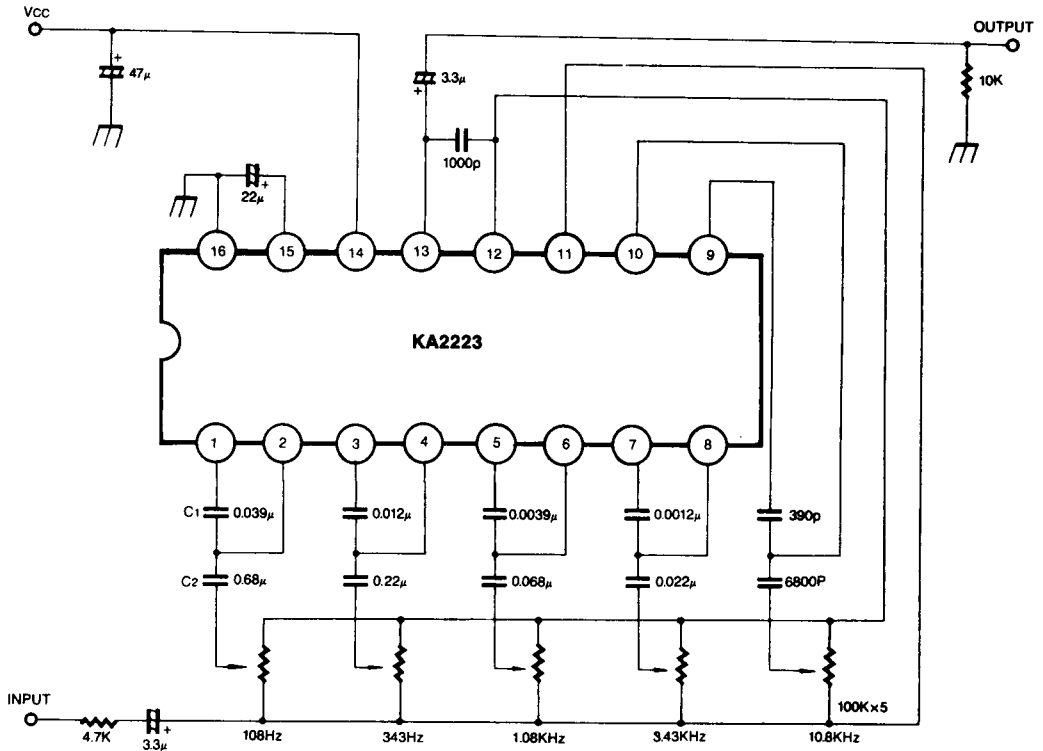


Fig. 2

$$\text{Resonant frequency } f_0 = \frac{1}{2\pi\sqrt{R_1 R_2 C_1 C_2}}$$

($R_1 = 1.2K$, $R_2 = 68K$ on-chip resistor)

APPLICATION CIRCUIT

1. 7 BAND

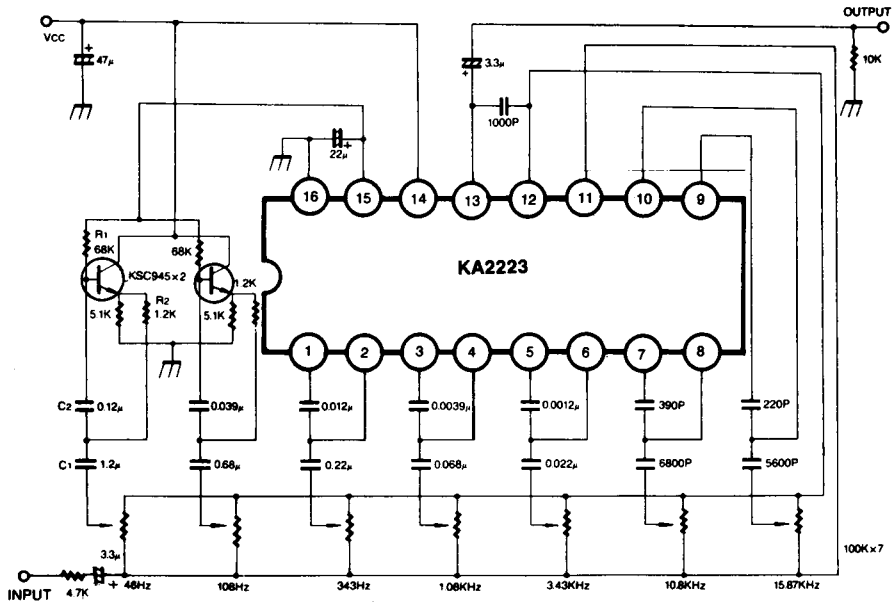


Fig. 3

2. 10 BAND

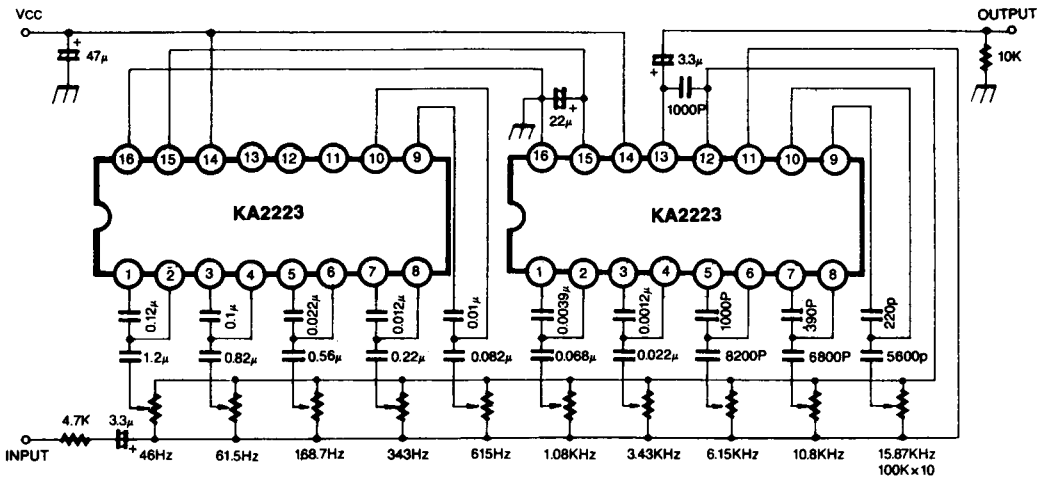


Fig. 4