

isc Silicon NPN Power Transistor

2SC4294

DESCRIPTION

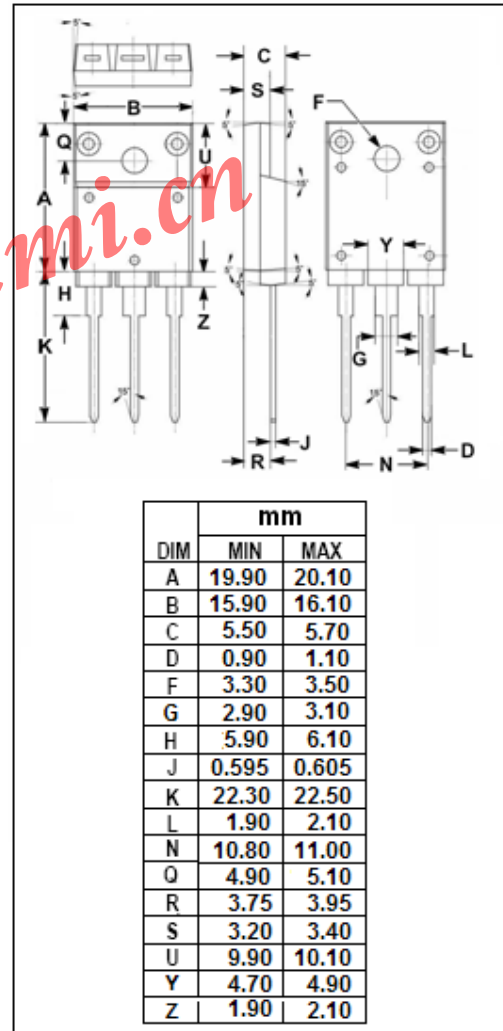
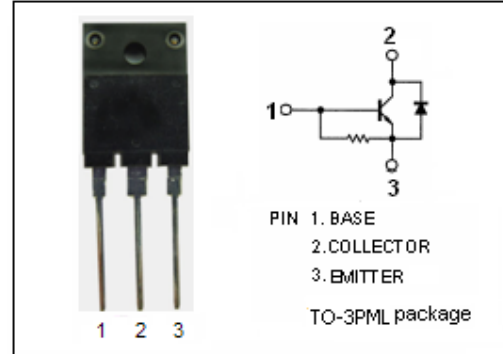
- High Breakdown Voltage-
: $V_{(BR)CBO} = 1500V(\text{Min})$
- High Switching Speed
- High Reliability
- Built-in Damper Diode

APPLICATIONS

- Ultrahigh-definition color display horizontal deflection output applications

ABSOLUTE MAXIMUM RATINGS($T_a=25^\circ\text{C}$)

SYMBOL	PARAMETER	VALUE	UNIT
V_{CBO}	Collector-Base Voltage	1500	V
V_{CEO}	Collector-Emitter Voltage	800	V
V_{EBO}	Emitter-Base Voltage	7	V
I_C	Collector Current-Continuous	6	A
I_{CP}	Collector Current-Peak	16	A
P_C	Collector Power Dissipation @ $T_a=25^\circ\text{C}$	3.0	W
	Collector Power Dissipation @ $T_c=25^\circ\text{C}$	50	
T_J	Junction Temperature	150	$^\circ\text{C}$
T_{stg}	Storage Temperature Range	-55~150	$^\circ\text{C}$



isc Silicon NPN Power Transistor

2SC4294

ELECTRICAL CHARACTERISTICS

 $T_C=25^{\circ}\text{C}$ unless otherwise specified

SYMBOL	PARAMETER	CONDITIONS	MIN	TYP.	MAX	UNIT
$V_{CE(SUS)}$	Collector-Emitter Sustaining Voltage	$I_C=0.1\text{A}; I_B=0$	800			V
$V_{CE(sat)}$	Collector-Emitter Saturation Voltage	$I_C=5\text{A}; I_B=1.2\text{A}$			5.0	V
$V_{BE(sat)}$	Base-Emitter Saturation Voltage	$I_C=5\text{A}; I_B=1.2\text{A}$			1.5	V
I_{CBO}	Collector Cutoff Current	$V_{CB}=800\text{V}; I_E=0$			10	μA
I_{CES}	Collector Cutoff Current	$V_{CE}=1500\text{V}; R_{BE}=0$			1.0	mA
I_{EBO}	Emitter Cutoff Current	$V_{EB}=4\text{V}; I_C=0$	40		130	mA
h_{FE-1}	DC current gain	$I_C=1\text{A}; V_{CE}=5\text{V}$	8			
h_{FE-2}	DC current gain	$I_C=5\text{A}; V_{CE}=5\text{V}$	4		6	
V_{ECF}	C-E Diode Forward Voltage	$I_F=6\text{A}$			2.0	V

Switching times

t_{stg}	Storage Time	$I_C=5\text{A}; I_{B1}=1\text{A}; I_{B2}=-2\text{A}; V_{CC}=200\text{V}$			3.0	μs
t_f	Fall Time				0.3	μs