

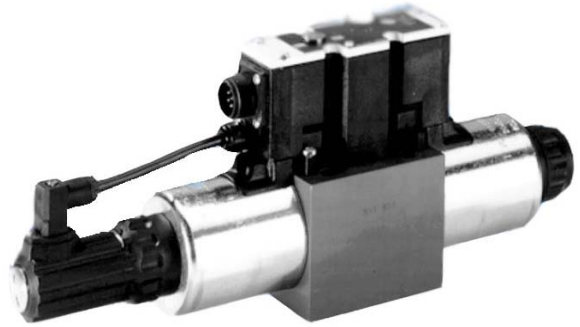


## Integrated Proportional Amplifier

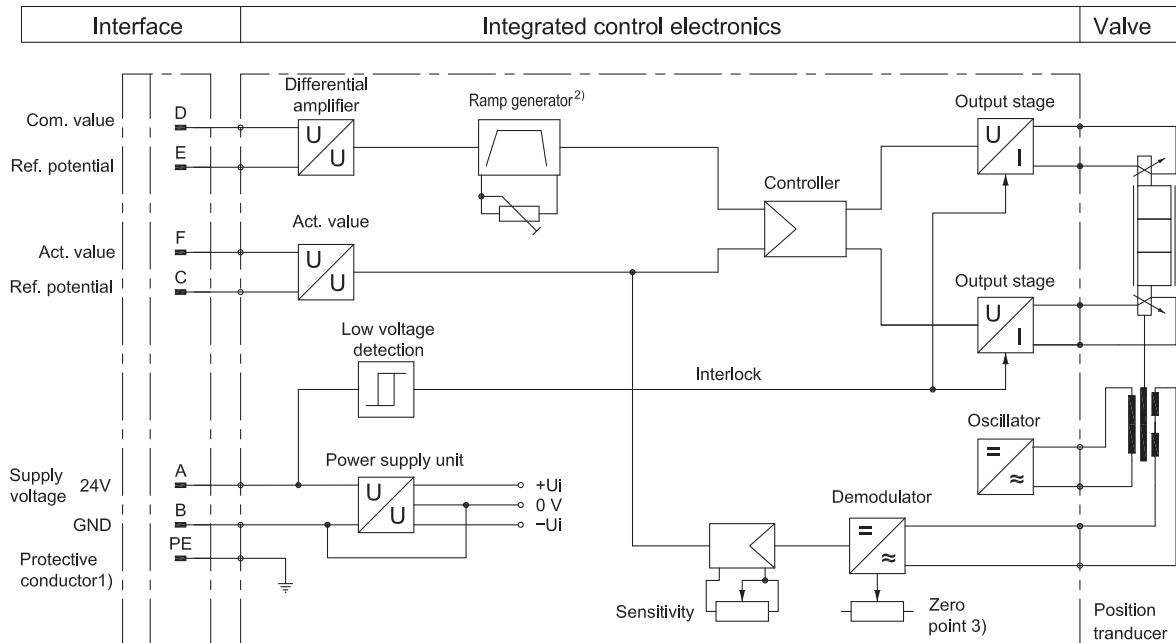
**RT-4WREE.-2X**

**Series: 3X**

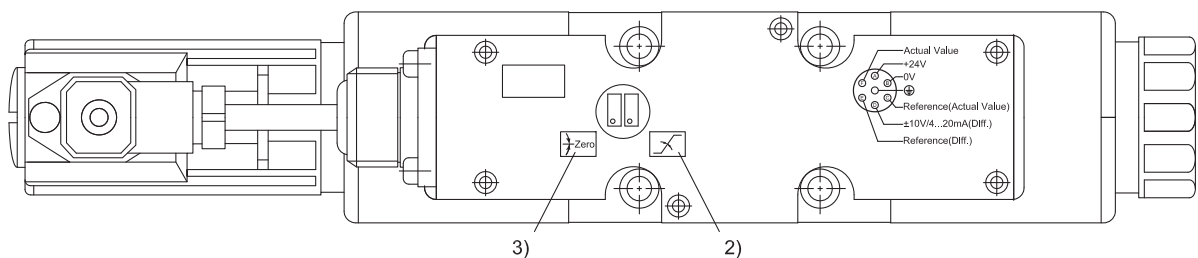
**For valves type 4WRAE.-2X**



### Block circuit diagram



- 1) PE is connected to the cooling body and the valve housing
- 2) Ramp can be externally adjusted from 0 to 5 s;
- 3) Zero point is externally adjustable



## Ordering code

RT-4WREE -2X / - 30 - CN

### ReboTech

for valves ( type 4WREE6 ) = 6  
 for valves ( type 4WREE10) = 10  
 20 to 29: (unchanged installation  
 and connection dimensions) = 2X

Further details in clear text

CN = Made in China

30 = Design number

A1 = command value input  $\pm 10$  V

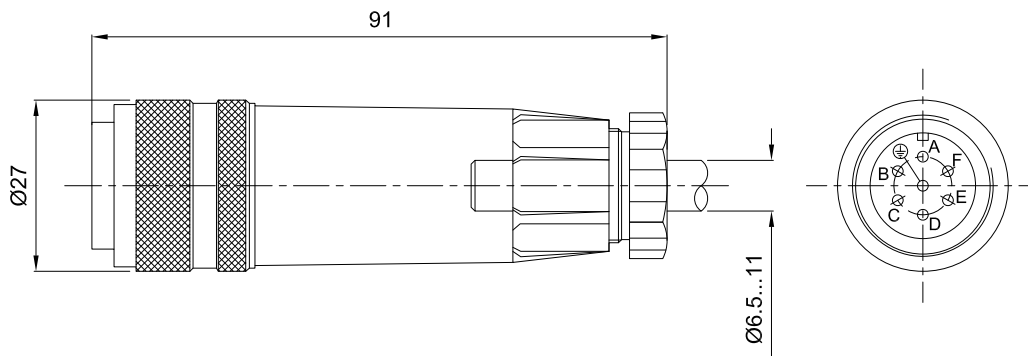
F1 = Command value input 4 to 20 mA

## Technical data (For applications beyond these parameters, please consult us!)

Operating voltage	$U_B$	24 VDC + 40 % - 20 %
–Upper limit value	$U_B(t)_{max}$	35 V
–Lower limit value	$U_B(t)_{min}$	19 V
Power consumption	$P_s$	<45 VA
Current consumption	$I$	< 2 A
Command value	A1 $U_e$	$\pm 10$ V, $R_e > 50k\Omega$
	F1 $I_e$	4 to 20mA, $R_e < 200\Omega$
Maximum output current	$I_{max}$	2.5 A ; $R_{(20)} = 2 \Omega$
Ramp time	$t$	0 ~ 5s
Type of connection		Socket;DIN 43650-AM2 Plug;E DIN 43563-BF6-3/PG11(should be ordered separately)
Permissible operating temperature range		- 20 ~ 80 °C
Storage temperature range		- 25 ~ 85 °C
Protection class		IP65 ; DIN 40050
Weight	$m$	0.16 kg

## Plug wiring diagram

Plug-in connector to DIN EN 175 201-804(See below)。



## Plug wiring diagram

	Contact	Allocation interface A1	Allocation interface F1
Supply voltage	A	24 VDC (19 to 35VDC)	
	B	GND	
Differential amplifier input	D	$\pm 10$ V com. value	4...20 mA com. value
	E	ref. potential com. value	
Act. value	C	Act. value $\pm 10$ V	
	F	Reference	
	PE	Connected with cooling body and valve housing	

**Com. value:** Positive command value (0 to 10 V or 12 to 20 mA) at D and reference potential to E causes flow from P to A and B to T.  
 Negative command value (0 to - 10 V or 12 to 4 mA) at D and reference potential to E causes flow from P to B and A to T.

**Connection cable:** Recommendation: – up to 25 m cable length type LiYCY 5 x 0.75 mm<sup>2</sup>  
 – up to 50 m cable length type LiYCY 5 x 1.0 mm<sup>2</sup>  
 External diameter 6.5 to 11 mm  
 Connect shield to PE only on the supply side.。

