

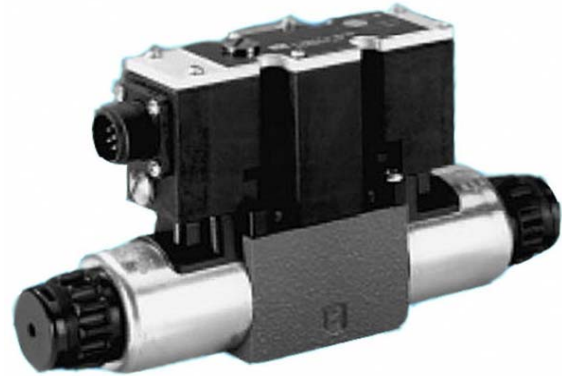


Integrated Proportional Amplifier

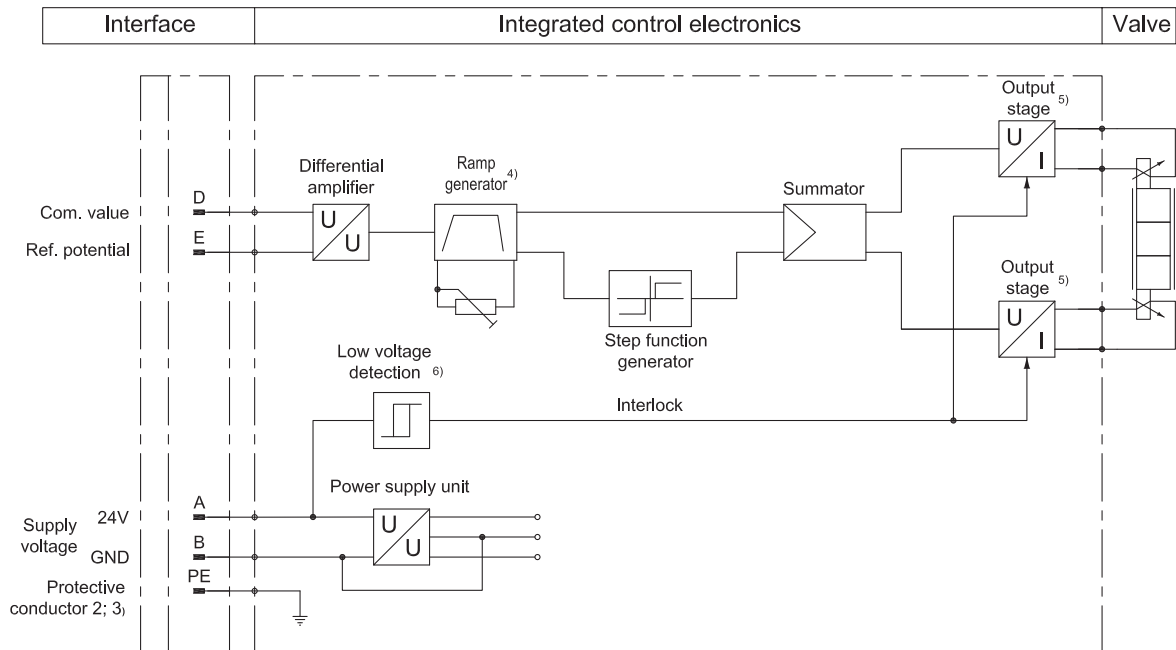
RT- 4WRAE.-2X

Series: 3X

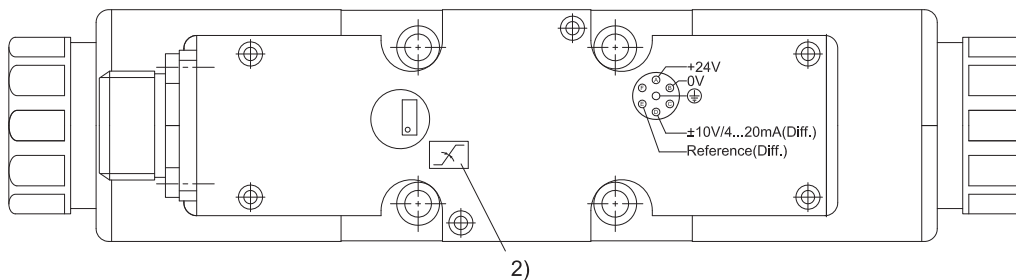
for valves type 4WRAE. -2X



Block circuit diagram



- 1) PE is connected to the cooling body and the valve housing
- 2) Ramp can be externally adjusted from 0 to 5 s;



Odering code

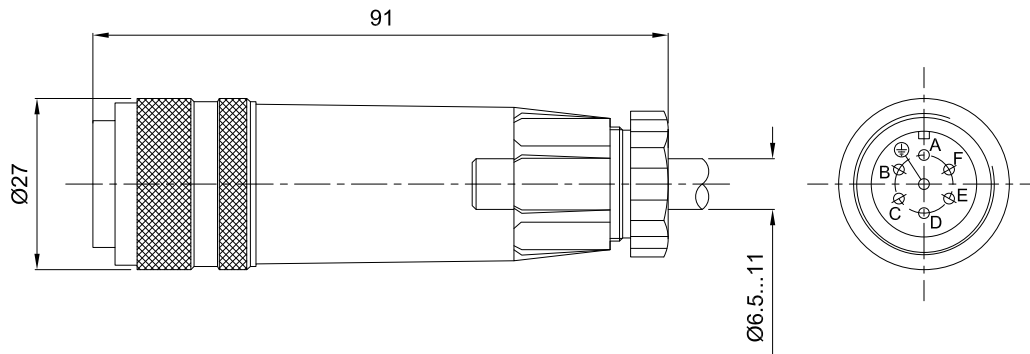
RT-4WRAE -2X / - 30 - CN		
ReboTech		
for valves (type 4WRAE6)	= 6	Further details in clear text CN = Made in China
for valves (type 4WRAE10)	= 10	
20 to 29: (unchanged installation and connection dimensions)	= 2X	30 = Design number
		A1 = command value input ± 10 V
		F1 = command value input 4 to 20 mA

Technical data (For applications beyond these parameters, please consult us!)

Operating voltage	U_B	24 VDC + 40 % - 20 %
– Upper limit value	$U_{B(t)max}$	35 V
– Lower limit value	$U_{B(t)min}$	19 V
Power consumption	P_s	<45 VA
Current consumption	I	< 2 A
Command value	A1 U_e	± 10 V, $R_e > 50k\Omega$
	F1 I_e	4 to 20mA, $R_e < 200\Omega$
Maximum output current	I_{max}	2.5 A ; $R_{(20)} = 2 \Omega$
Ramp time	t	0 ~ 5s
Type of connection		Socket;DIN 43650-AM2 Plug;E DIN 43563-BF6-3/PG11(should be ordered separately)
Permissible operating temperature range		- 20 ~ 80 °C
Storage temperature range		- 25 ~ 85 °C
Protection class		IP65 ; DIN 40050
Weight	m	0.14 kg

Plug wiring diagram

Plug-in connector to DIN EN 175 201-804(See below)。



Plug wiring diagram

	Contact	Signal
Supply voltage	A	24 VDC (19 to 35VDC)
	B	
	C	Missed ³⁾
Differential amplifier input	D	com. value ($\pm 10V / 4-20mA$)
	E	Reference
	F	Missed ³⁾

3) Slots C and F must not be connected!。

Com. value: Positive command value (0 to 10 V or 12 to 20 mA) at D and reference potential to E causes flow from P to A and B to T.
 Negative command value (0 to - 10 V or 12 to 4 mA) at D and reference potential to E causes flow from P to Band A to T.
 For valves with a solenoid on side „a“(spool variant **EA** and **WA**), reference potential to E and positive command value at D (NS 6: 4 to 20 mA and NS 10: 12 to 20 mA) causes flow from P to B and A to T.

Connection cable: Recommendation: – up to 25 m cable length type LiYCY 5 x 0.75 mm²
 – up to 50 m cable length type LiYCY 5 x 1.0 mm²
 External diameter 6.5 to 11 mm
 Connect shield to PE only on the supply side.。