

BACNET

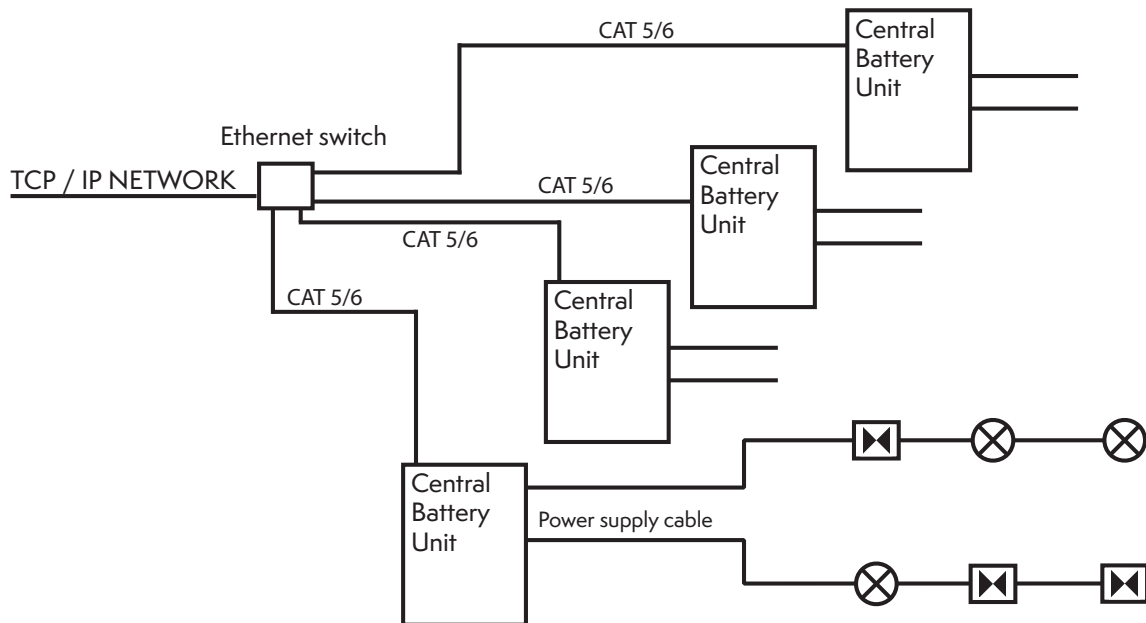
Product code	Product description	For
TST6701	BACnet Interface	TKT67xxC
TST6823	BACnet Interface	TKT68xxC
TST6601	BACnet Interface	TKT66xxC
TST6501	BACnet Interface	TKT65xxC

BACNET INTEGRATION

If the central battery system has a BACnet module, it provides a direct interface to a building automation system. In BACnet integration, all the information of the central battery system, which is imported into BACnet as objects, are available.

Teknoware's interface is the BACnet module, which transmits the BACnet objects from the central battery system and the luminaires. Battery and luminaire tests can also be initiated in this way.

BACnet system is commonly used through a third party user interface.



- ⊗ = non-maintained emergency luminaire
- ◀◻ = maintained exit luminaire

| BACnet Interface with CAT 5/6 cable.