

# CONTRACOR®

**EN** Blast Cabinets

**ECO-80S/ECO-100S/ECO-120S/ECO-140S**

**ECO-80SF/ECO-100SF/ECO-120SF/ECO-140SF**

**ECO-80SL/ECO-100SL/ECO-120SL/ECO-140SL**

OPERATING AND MAINTENANCE MANUAL

Version 3.1

**DE** Strahlkabinen

BETRIEBSANLEITUNG

Version 3.1

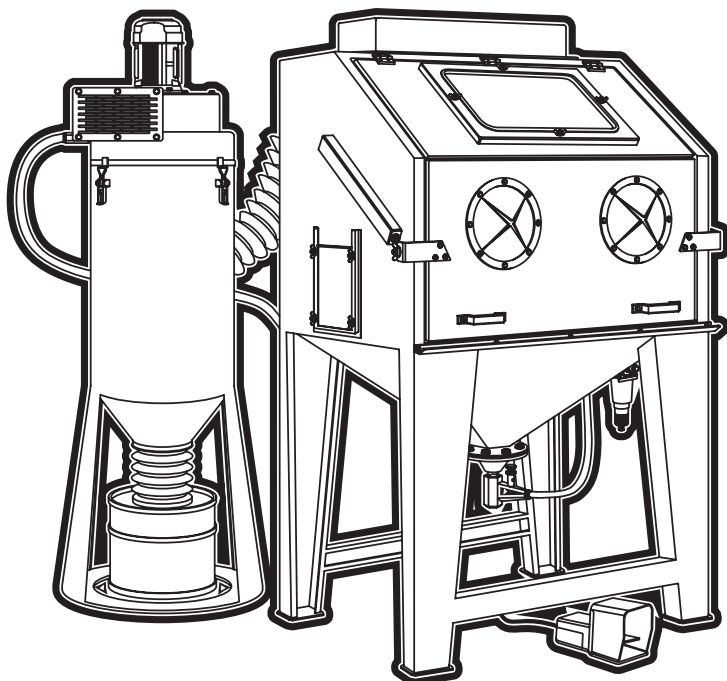
Seite 51

**RU** Кабина абразивоструйная

РУКОВОДСТВО ПО ЭКСПЛУАТАЦИИ

Версия 3.1

стр. 102



# Table of contents

EN

<b>1. Safety</b>	<b>3</b>
<b>2. Package and description</b>	<b>4</b>
<b>3. General information</b>	<b>17</b>
<b>4. Set-up, operation and shut-down</b>	<b>19</b>
<b>5. Maintenance</b>	<b>26</b>
<b>6. Troubleshooting</b>	<b>31</b>
<b>7. Replacement parts</b>	<b>35</b>



## **ATTENTION!**

**READ AND FULLY UNDERSTAND THIS MANUAL BEFORE STARTING WORK.**

**THE FOLLOWING INFORMATION IS IMPORTANT FOR SAFETY AND HEALTH OF OPERATOR AND PERSONNEL IN VICINITY.**



## **ATTENTION!**

**BUYING THE MACHINE, PLEASE, REQUEST TO FILL IN THE GUARANTEE CARD CORRECTLY!**

**FAILURE TO PRODUCE A FILLED-IN FORM WILL MAKE YOUR GUARANTEE INVALID.**

# 1. Safety

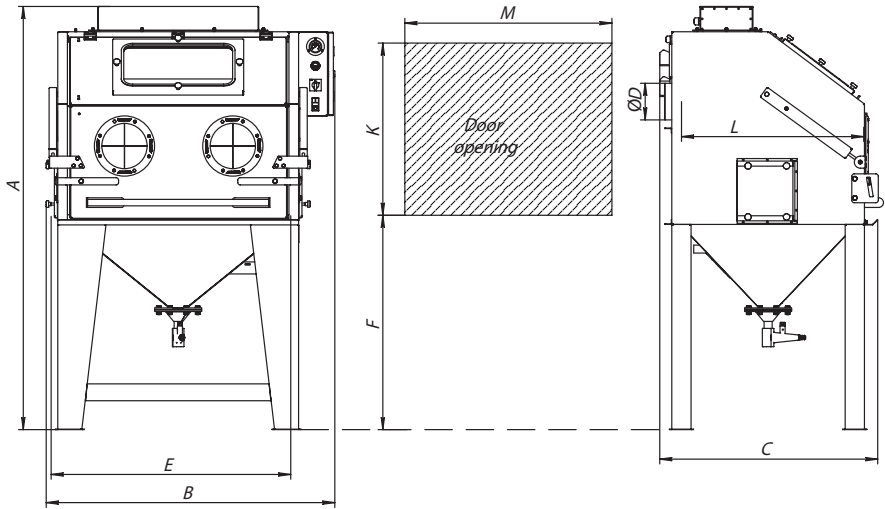


## ATTENTION!

### **SAFETY MEASURES FOR BLAST CABINET OPERATION.**

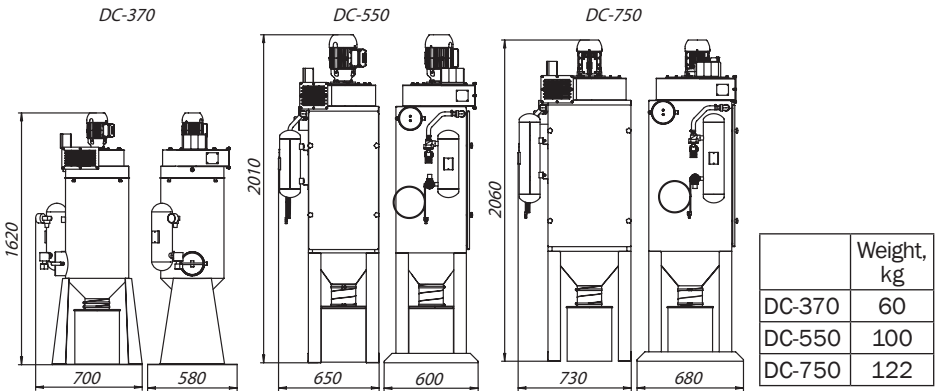
- 1. You must wear protective gloves during abrasive blasting.**
- 2. Do not use worn or damaged equipment during operation.**
- 3. Point the nozzle only at the area to be cleaned. Never point the nozzle toward the cabinet windows.**
- 4. Use only dry well-sieved abrasive materials, appropriate for abrasive blasting operations.**
- 5. Before starting of blast cabinet operation you must:**
  - Ensure that gloves, gaskets, hoses and fittings are not worn;**
  - Fix hose couplings with wire, if the couplings are used;**
  - Ensure that the cabinet is grounded;**
- 6. During blasting process all doors on the cabinet, reclaimers or dust collector must be closed.**
- 7. After blasting, before the doors are opened and exhausters are switched off, use the blow nozzle to blow media from the blasted parts.**
- 8. Do not open the doors or switch off exhausters before the cabinet is clear of abrasive dust.**

## 2. Package and description



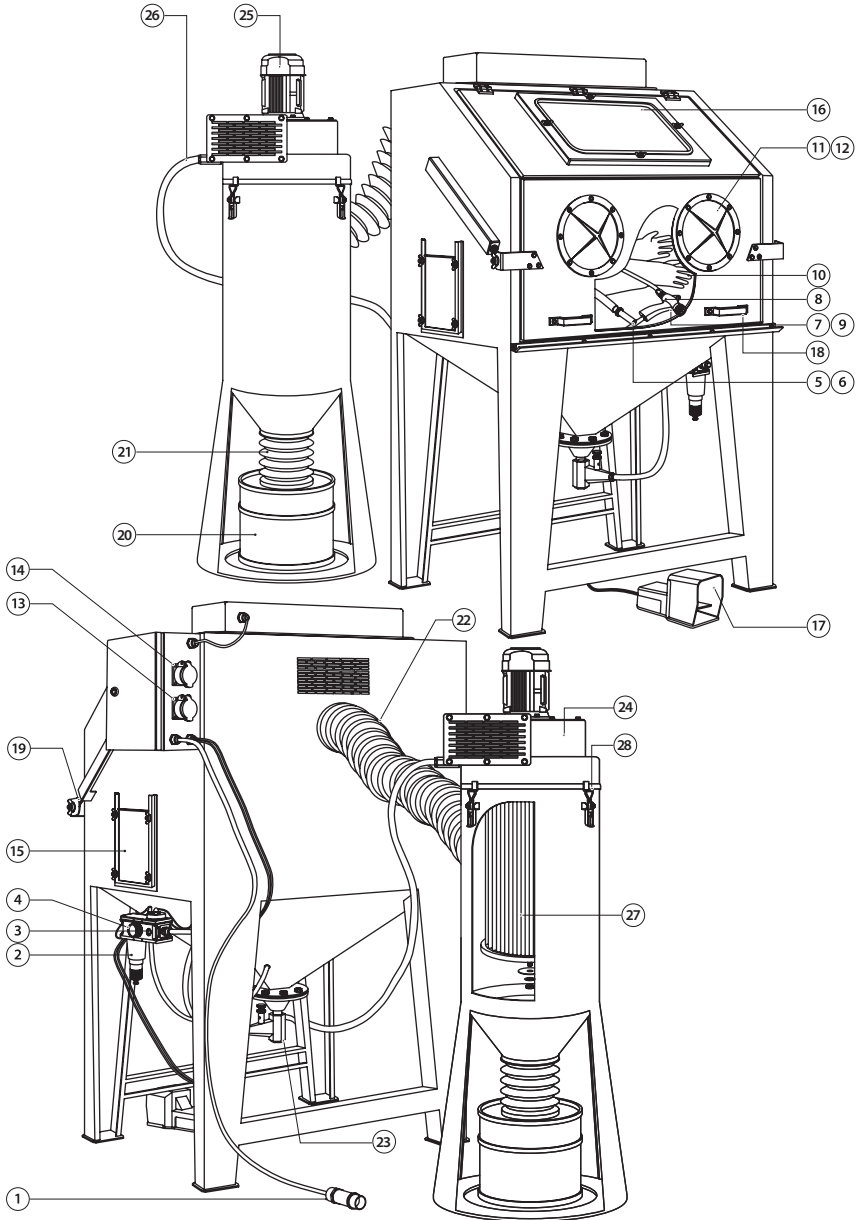
	A, mm	B, mm	C, mm	D, mm	E, mm	F, mm	K, mm	L, mm	M, mm	Weight, kg
ECO-80	1665	1000	685	52	800	890	620	535	680	139
ECO-100	1760	1200	910	52	1000	890	715	755	860	246
ECO-120	1860	1400	1110	52	1200	890	820	950	1085	274
ECO-140	2185	1650	1255	52	1350	1145	885	1130	1240	309

**Pic. 2.1.** Blast cabinet overall dimensions ECO-80S/100S/120S/140S



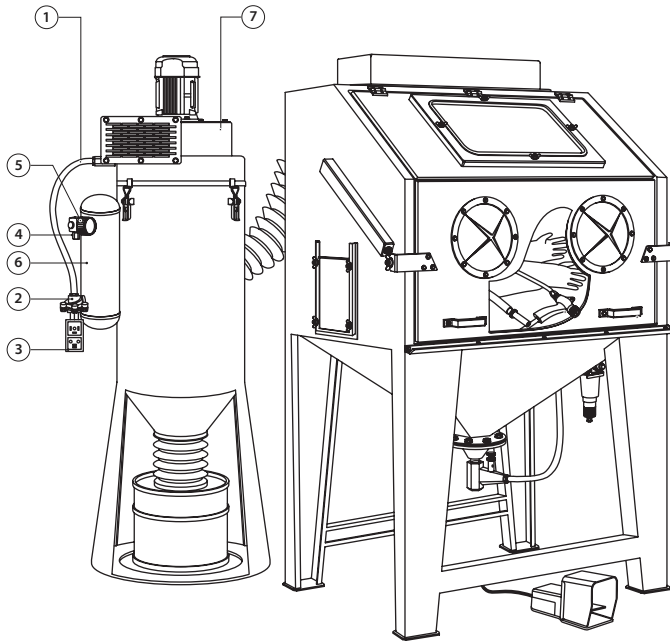
**Pic. 2.2.** Dust collectors overall dimensions DC-370/550/750





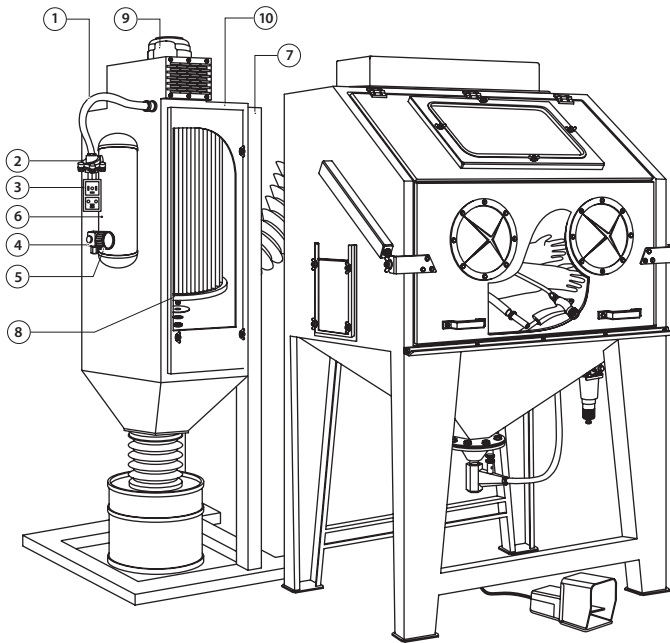
**Fig. 2.3.** Standard delivery ECO-80S/100S/120S/140S

Pos. No	Description
1	Plug 380 V
2	Airline Filter
3	Pressure regulator, pilot operated
4	Pressure gauge
5	Air blow-off nozzle, rubber
6	Rubber hose for air blow-off nozzle
7	GX Manual blast gun
8	Blast media hose, transparent
9	Rubber air hose
10	RGS Blast cabinet gloves
11	Hand hole rubber
12	Hand hole ring
13	Socket 380V
14	Socket 230V
15	Pass-Through cabinet door
16	Viewing window (assembly)
17	Pneumatic foot pedal
18	Handle
19	Gas spring
20	Dust container
21	Dust container hose
22	Venti hose Ø 150mm
23	Metering valve
24	Impeller for DC-370
25	Electric motor 0,5 kW for DC-370
26	Air hose
27	Filter cartridge 8 m <sup>2</sup> for DC-370



**Pic. 2.4.** Special model ECO-80SF/100SF/120SF/140SF

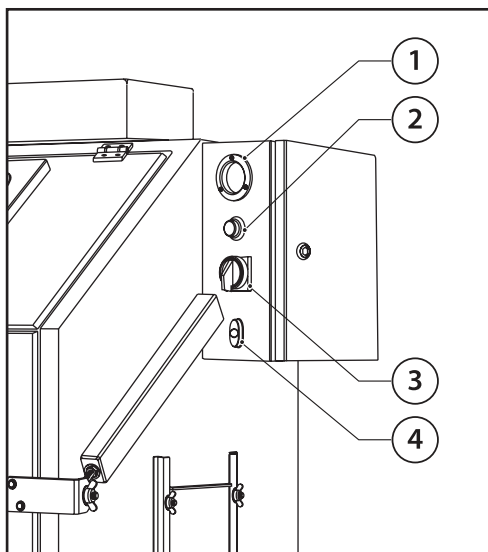
Pos. No	Description
1	AirFlex-19, Compressed air hose 19x28mm
2	Diaphragm pulse-jet valve 3/4"
3	Electronic timer for pulse-jet valve
4	Pressure regulator, pulse-jet cleaning, 1/4"
5	Pressure gauge 1/8" (rubber cover)
6	Pulse-jet cleaning manifold
7	Impeller for DC-370



**Pic. 2.5.** Special model ECO-80SL/100SL/120SL/140SL

Pos. No	Description
1	AirFlex-19, Compressed air hose 19x28mm
2	Diaphragm pulse-jet valve 3/4"
3	Electronic timer for pulse-jet valve
4	Pressure regulator, pulse-jet cleaning, 1/4"
5	Pressure gauge 1/8" (rubber cover)
6	Pulse-jet cleaning manifold
7	Mounting foot for DC-550 and DC-750
8	Filter cartridge for DC-550 / for DC-750
9	Electric motor 0,55 kW for DC-550 / 0,75 kW for DC-750
10	Impeller for DC-550 / 750

**Pic. 2.6.** Control panel



Pos. No	Description
1	Panel mounting pressure gauge, working pressure
2	Pressure regulator, working pressure
3	Main switch O-I
4	Double pushbuttons ON / OFF

## 2.1 Package

**Table 2.1**

Order code	Model	Description, package
10217101	ECO-80S	<p>BLAST CABINET, COMPLETE SYSTEM, CONSIST</p> <ul style="list-style-type: none"> <li>- Cabinet Enclosure</li> <li>- Cartridge Dust Collector DC-370 (see. Table 2.2.)</li> </ul> <p>STANDARD DELIVERY:</p> <ul style="list-style-type: none"> <li>- Quality 600 mm blast gloves with inner fabric lining</li> <li>- Manual suction blast gun GX</li> <li>- Tungsten carbide gun nozzle GXT- 8</li> <li>- Metering valve</li> <li>- Main airline filter with 5<math>\mu</math> filtration grade</li> <li>- Pilot regulated blast pressure</li> <li>- Door safety interlocks</li> <li>- Manual cleaned cartridge filter</li> </ul> <p>Electrical connection: 0,50 kW, 380V, 3 phase, 50Hz            Working chamber size (W x D x H), mm 750 x 520 x 660            Weight, 139 kg            Noise level, 80 .. 120 dB (2000/14EC)            Standard load capacity, 350 kg</p>
10217102	ECO-100S	<p>BLAST CABINET, COMPLETE SYSTEM, CONSIST</p> <ul style="list-style-type: none"> <li>- Cabinet Enclosure</li> <li>- Cartridge Dust Collector DC-370 (see. Table 2.2.)</li> </ul> <p>STANDARD DELIVERY:</p> <ul style="list-style-type: none"> <li>- Quality 600 mm blast gloves with inner fabric lining</li> <li>- Manual suction blast gun GX</li> <li>- Tungsten carbide gun nozzle GXT- 8</li> <li>- Metering valve</li> <li>- Main airline filter with 5<math>\mu</math> filtration grade</li> <li>- Pilot regulated blast pressure</li> <li>- Door safety interlocks</li> <li>- Manual cleaned cartridge filter</li> </ul> <p>Electrical connection: 0,50 kW, 380V, 3 phase, 50Hz            Working chamber size (W x D x H), mm 950 x 720 x 760            Weight, 246 kg            Noise level, 80 .. 120 dB (2000/14EC)            Standard load capacity, 350 kg</p>

Order code	Model	Description, package
10217103	ECO-120S	BLAST CABINET, COMPLETE SYSTEM, CONSIST - Cabinet Enclosure - Cartridge Dust Collector DC-370 (see. Table 2.2.) STANDARD DELIVERY: - Quality 600 mm blast gloves with inner fabric lining - Manual suction blast gun GX - Tungsten carbide gun nozzle GXT- 8 - Metering valve - Main airline filter with 5 $\mu$ filtration grade - Pilot regulated blast pressure - Door safety interlocks - Manual cleaned cartridge filter Electrical connection: 0,50 kW, 380V, 3 phase, 50Hz Working chamber size (W x D x H), mm 1150 x 920 x 860 Weight, 274 kg Noise level, 80 .. 120 dB (2000/14EC) Standard load capacity, 350 kg
10217104	ECO-140S	BLAST CABINET, COMPLETE SYSTEM, CONSIST - Cabinet Enclosure - Cartridge Dust Collector DC-370 (see. Table 2.2.) STANDARD DELIVERY: - Quality 600 mm blast gloves with inner fabric lining - Manual suction blast gun GX - Tungsten carbide gun nozzle GXT- 8 - Metering valve - Main airline filter with 5 $\mu$ filtration grade - Pilot regulated blast pressure - Door safety interlocks - Manual cleaned cartridge filter Electrical connection: 0,50 kW, 380V, 3 phase, 50Hz Working chamber size (W x D x H), mm 1350 x 1120 x 960 Weight, 309 kg Noise level, 80 .. 120 dB (2000/14EC) Standard load capacity, 350 kg

Order code	Model	Description, package
10217111	ECO-80SF	<p>BLAST CABINET, COMPLETE SYSTEM, CONSIST</p> <ul style="list-style-type: none"> <li>- Cabinet Enclosure</li> <li>- Cartridge Dust Collector DC-370 (see. Table 2.2.)</li> </ul> <p>STANDARD DELIVERY:</p> <ul style="list-style-type: none"> <li>- Quality 600 mm blast gloves with inner fabric lining</li> <li>- Manual suction blast gun GX</li> <li>- Tungsten carbide gun nozzle GXT- 8</li> <li>- Metering valve</li> <li>- Main airline filter with 5<math>\mu</math> filtration grade</li> <li>- Pilot regulated blast pressure</li> <li>- Door safety interlocks</li> <li>- Pulse cleaned cartridge filter</li> </ul> <p>Electrical connection: 0,50 kW, 380V, 3 phase, 50Hz  Working chamber size (W x D x H), mm 750 x 520 x 660  Weight, 139 kg  Noise level, 80 .. 120 dB (2000/14EC)  Standard load capacity, 350 kg</p>
10217112	ECO-100SF	<p>BLAST CABINET, COMPLETE SYSTEM, CONSIST</p> <ul style="list-style-type: none"> <li>- Cabinet Enclosure</li> <li>- Cartridge Dust Collector DC-370 (see. Table 2.2.)</li> </ul> <p>STANDARD DELIVERY:</p> <ul style="list-style-type: none"> <li>- Quality 600 mm blast gloves with inner fabric lining</li> <li>- Manual suction blast gun GX</li> <li>- Tungsten carbide gun nozzle GXT- 8</li> <li>- Metering valve</li> <li>- Main airline filter with 5<math>\mu</math> filtration grade</li> <li>- Pilot regulated blast pressure</li> <li>- Door safety interlocks</li> <li>- Pulse cleaned cartridge filter</li> </ul> <p>Electrical connection: 0,50 kW, 380V, 3 phase, 50Hz  Working chamber size (W x D x H), mm 950 x 720 x 760  Weight, 246 kg  Noise level, 80 .. 120 dB (2000/14EC)  Standard load capacity, 350 kg</p>



Order code	Model	Description, package
10217113	ECO-120SF	<p>BLAST CABINET, COMPLETE SYSTEM, CONSIST</p> <ul style="list-style-type: none"> <li>- Cabinet Enclosure</li> <li>- Cartridge Dust Collector DC-370 (see. Table 2.2.)</li> </ul> <p>STANDARD DELIVERY:</p> <ul style="list-style-type: none"> <li>- Quality 600 mm blast gloves with inner fabric lining</li> <li>- Manual suction blast gun GX</li> <li>- Tungsten carbide gun nozzle GXT- 8</li> <li>- Metering valve</li> <li>- Main airline filter with 5<math>\mu</math> filtration grade</li> <li>- Pilot regulated blast pressure</li> <li>- Door safety interlocks</li> <li>- Pulse cleaned cartridge filter</li> </ul> <p>Electrical connection: 0,50 kW, 380V, 3 phase, 50Hz  Working chamber size (W x D x H), mm 1150 x 920 x 860  Weight, 274 kg  Noise level, 80 .. 120 dB (2000/14EC)  Standard load capacity, 350 kg</p>
10217114	ECO-140SF	<p>BLAST CABINET, COMPLETE SYSTEM, CONSIST</p> <ul style="list-style-type: none"> <li>- Cabinet Enclosure</li> <li>- Cartridge Dust Collector DC-370 (see. Table 2.2.)</li> </ul> <p>STANDARD DELIVERY:</p> <ul style="list-style-type: none"> <li>- Quality 600 mm blast gloves with inner fabric lining</li> <li>- Manual suction blast gun GX</li> <li>- Tungsten carbide gun nozzle GXT- 8</li> <li>- Metering valve</li> <li>- Main airline filter with 5<math>\mu</math> filtration grade</li> <li>- Pilot regulated blast pressure</li> <li>- Door safety interlocks</li> <li>- Pulse cleaned cartridge filter</li> </ul> <p>Electrical connection: 0,50 kW, 380V, 3 phase, 50Hz  Working chamber size (W x D x H), mm 1350 x 1120 x 960  Weight, 309 kg  Noise level, 80 .. 120 dB (2000/14EC)  Standard load capacity, 350 kg</p>

Order code	Model	Description, package
10217121	ECO-80SL	BLAST CABINET, COMPLETE SYSTEM, CONSIST - Cabinet Enclosure - Cartridge Dust Collector DC-550 (see. Table 2.2.) STANDARD DELIVERY: - Quality 600 mm blast gloves with inner fabric lining - Manual suction blast gun GX - Tungsten carbide gun nozzle GXT- 8 - Metering valve - Main airline filter with 5 $\mu$ filtration grade - Pilot regulated blast pressure - Door safety interlocks - Pulse cleaned cartridge filter Electrical connection: 0,70 kW, 380V, 3 phase, 50Hz Working chamber size (W x D x H), mm 750 x 520 x 660 Weight, 139 kg Noise level, 80 .. 120 dB (2000/14EC) Standard load capacity, 350 kg
10217122	ECO-100SL	BLAST CABINET, COMPLETE SYSTEM, CONSIST - Cabinet Enclosure - Cartridge Dust Collector DC-550 (see. Table 2.2.) STANDARD DELIVERY: - Quality 600 mm blast gloves with inner fabric lining - Manual suction blast gun GX - Tungsten carbide gun nozzle GXT- 8 - Metering valve - Main airline filter with 5 $\mu$ filtration grade - Pilot regulated blast pressure - Door safety interlocks - Pulse cleaned cartridge filter Electrical connection: 0,70 kW, 380V, 3 phase, 50Hz Working chamber size (W x D x H), mm 950 x 720 x 760 Weight, 246 kg Noise level, 80 .. 120 dB (2000/14EC) Standard load capacity, 350 kg

Order code	Model	Description, package
10217123	ECO-120SL	<p>BLAST CABINET, COMPLETE SYSTEM, CONSIST</p> <ul style="list-style-type: none"> <li>- Cabinet Enclosure</li> <li>- Cartridge Dust Collector DC-750 (see. Table 2.2.)</li> </ul> <p>STANDARD DELIVERY:</p> <ul style="list-style-type: none"> <li>- Quality 600 mm blast gloves with inner fabric lining</li> <li>- Manual suction blast gun GX</li> <li>- Tungsten carbide gun nozzle GXT- 8</li> <li>- Metering valve</li> <li>- Main airline filter with 5<math>\mu</math> filtration grade</li> <li>- Pilot regulated blast pressure</li> <li>- Door safety interlocks</li> <li>- Pulse cleaned cartridge filter</li> </ul> <p>Electrical connection: 0,90 kW, 380V, 3 phase, 50Hz  Working chamber size (W x D x H), mm 1150 x 920 x 860  Weight, 274 kg  Noise level, 80 .. 120 dB (2000/14EC)  Standard load capacity, 350 kg</p>
10217124	ECO-140SL	<p>BLAST CABINET, COMPLETE SYSTEM, CONSIST</p> <ul style="list-style-type: none"> <li>- Cabinet Enclosure</li> <li>- Cartridge Dust Collector DC-750 (see. Table 2.2.)</li> </ul> <p>STANDARD DELIVERY:</p> <ul style="list-style-type: none"> <li>- Quality 600 mm blast gloves with inner fabric lining</li> <li>- Manual suction blast gun GX</li> <li>- Tungsten carbide gun nozzle GXT- 8</li> <li>- Metering valve</li> <li>- Main airline filter with 5<math>\mu</math> filtration grade</li> <li>- Pilot regulated blast pressure</li> <li>- Door safety interlocks</li> <li>- Pulse cleaned cartridge filter</li> </ul> <p>Electrical connection: 0,90 kW, 380V, 3 phase, 50Hz  Working chamber size (W x D x H), mm 1350 x 1120 x 960  Weight, 309 kg  Noise level, 80 .. 120 dB (2000/14EC)  Standard load capacity, 350 kg</p>

**Table 2.2**

	Filtering media	Filtering surface, m <sup>2</sup>	Fan power, kW	Fan capacity, m <sup>3</sup> /h	Fan pressure, Pa
DC-370	Polyester	2,7	0,37	800	1075
DC-550	Polyester	7,5	0,55	870	1310
DC-750	Polyester	11,0	0,75	900	1470

# 3. General information

## 3.1. General information

Contracor abrasive blast cabinet encloses the blasting environment to provide efficient blast cleaning while maintaining a clean surrounding work area.

Production rates of the blast cabinets are dependent on size of nozzle, compressor capacity, working pressure, type and size of abrasive media and distance between the nozzle and the cleaning surface.

Contracor ECO-series suction type blast cabinets consist of two modules:

1. Ruggedly built welded steel cabinet enclosure.
2. Dust collector with highly efficient fan and manually cleaned cartridge filter.

An automatic pulse cleaned dust collector is available as an option.

## 3.2. Theory of operation

When the air supply is on, and the cabinet doors are closed, the blast cabinet is ready for operation by actuating the foot pedal. Fully depressing the foot pedal causes air to flow through the blast gun. Air moving through the gun draws media into the blast gun mixing chamber. The media mixes with the air and is propelled out the nozzle.

After striking the object being blasted, the blast media, along with fines, dust, and by-products generated by blasting, fall through the mesh screen into the cabinet hopper. The blast media metering valve is located on the cabinet hopper, for accurate adjustment of the blast media/air mixture.

When the foot pedal is released, the blasting stops. The dust collector filter cartridge is cleaned by opening a ball valve, expanding compressed air at high velocity against the inner surface of the cartridge.. The expanding air momentarily reverses airflow through the cartridge to release dust accumulated on the outer surface.

The dust particles fall away from the cartridge and into the hopper for removal. A automatic pulsed air cleaned dust collector is available as an option. Here the dust collector

filter cartridge is automatically cleaned by an electronically timed pulse of compressed air against the inner surface of the cartridge.

### 3.3 Air jet diameter and required compressed air volume

A wide assortment of air jet sizes and nozzle orifices are available for exact calibration of maximum performance.

The size of the compressor required to operate the cabinet depends on the size of the air jet and blasting pressure. See table 3.1 Compressed air requirements.

In standard delivery cabinets are shipped with the suction blast gun GX equipped with Ø4mm air jet and Ø8mm blast nozzle.

**Table 3.1** Compressed air requirements

Ø Air jet (mm)	Ø Blast nozzle (mm)	REQUIRED AIR VOLUME (m <sup>3</sup> /min.) at working pressure, bar								
		2	3	4	5	6	7	8	10	12
3,2	6,0	0,245	0,326	0,406	0,487	0,568	0,649	0,730	0,891	1,050
4,0	8,0	0,436	0,579	0,723	0,865	1,010	1,150	1,300	1,585	1,870
5,0	10,0	0,681	0,905	1,130	1,350	1,580	1,800	2,030	2,480	2,930

### 3.4. Blast media

Contracor cabinets utilize most common media, 180 mesh and coarser that is specifically manufactured for dry blasting.

The usable media mesh size and nozzle size are based on typical media flow. Rich media flow or low static pressure will reduce the mesh and nozzle size that may be used.

**Steel blast media:** Still grit or shot can be limited used with ECO-80S ... ECO-140S cabinets. Rubber curtains should be used to protect the cabinet walls from rapid wear.

**Sand and Slag:** Sand should never be used because of the respiratory hazards associated with the use of using media containing free silica.



## ATTENTION!

**Abrasive blasting with sands containing crystalline silica can cause serious or fatal respiratory disease.**

Slags are not recommended due to their rapid breakdown

**Aluminum Oxide, Silicon Carbide, and Garnet:** Aggressive media such as these may be used but consideration should be given to accelerated wear on any part of the cabinet, reclaimer, nozzle and hoses which comes in contact with the media. In case of using of an aggressive blast media a tungsten carbide nozzle have to be used. Service life of the tungsten carbide nozzle lasts 10 to 20 times longer than ceramic.

**Glass Beads:** Most beads have been treated to ensure free-flow operation even under moderately high humidity conditions. Glass beads subjected to excessive moisture may be reused after thorough drying and breaking up of any lumps.

### 3.5 Compressed air quality

The air filter at the air inlet connection reduces condensed water from the compressed air. Its use is especially important in areas of high humidity, or when fine-mesh media are used. Moisture causes media to clot and inhibits free flow through the feed assembly. If moisture problems persist, an air dryer may be required.

## 4. Set-up, operation and shut-down

### 4.1. Installation and Set-up

#### 4.1.1 Location

Select a location where compressed air, water and electrical service are available. Allow for full access to all doors and service areas and for efficient handling of large parts.

#### 4.1.2 Compressed air supply line

Connect compressed air supply line with min. I.D. = 1/2" to the cabinet inlet. For connection use a flexible hose with same min. I.D. as the main airline. A smaller diameter air supply line or hose may reduce blasting efficiency.



## **ATTENTION!**

**Be certain that all pipe fittings and hose clamps are tight before using the blast cabinet. Hose disconnection while under pressure could cause serious injury.**

### **4.1.3 Grounding**

Ground the cabinet to prevent static electricity build up. For grounding attach an external grounded wire to the grounding lug on the cabinet skirt.

### **4.1.4 Electrical power connection**



## **ATTENTION!**

**All electrical work must be carried out by a qualified electrician according to the national and local standards.**

A wiring schematic is supplied with the cabinet. After wiring is completed, check the motor rotation by momentarily turn switch on and off. The motor will slowly turn. Check the rotation of the motor fan through the slots in the motor housing. The fan should rotate clockwise when viewed from the fan end to the motor.



## **ATTENTION!**

**Do not look into the reclaiming exhaust outlet while the exhaust is turning. Injury to the eye or face could occur from objects being ejected from the exhaust.**

### **4.1.5 Cabinet static pressure**

Cabinet static pressure must be set to match the cabinet dimensions. The pressure inside the cabin is adjusted with the throttle valve which is located on the air & dust suction pipe on the dust collector.

Try different settings of the throttle valve whilst blasting until the cabin visibility is good when the exhausting fan is switched on.



### **4.1.6 Foot pedal**

Position the foot pedal on the floor at the front of the cabinet for easy accessibility. Blast cabinet is designed for one-person operation. Be sure you can quickly remove your foot from the pedal in an emergency.

## **4.2. Blasting operation**

### **4.2.1 Media loading**

With the exhauster off, add clean dry media, by pouring it into the cabinet hopper through the cabinet loading door. Do not fill past the cone on the reclaimer.

Overfilling will result in media carryover to the dust collector and possibly blockage in the conveying hose. Refill only after all media has been recovered from the cabinet. The minimum amount of media to charge the system is as follows:

ECO-80S, ECO-100S, ECO-120S ECO-140S - 20kg

ECO-80SF, ECO-100SF, ECO-120SF, ECO-140SF - 20kg

ECO-80SL, ECO-100SL, ECO-120SL, ECO-140SL - 20kg

### **4.2.2 Media unloading**

To empty the cabinet of old media turn off the exhauster. There are two different ways of unloading media. The metering valve is mounted on a cover over a flange underneath the hopper. Place an empty container underneath the metering valve before removing the 1" screw on the bottom of the valve. The blast media should flow out. If media doesn't flow, it has caked. Open the cabinet door and stir media until it starts to flow. If the blast media is severely caked, one can also remove the flange cover to which the metering valve is affixed. Loosen the screws securing the cover to the flange, and remove. Media will flow into container.

### **4.2.3. Parts loading and unloading**

Parts may be loaded and unloaded through the front cabinet door. The door may be opened so far as to allow loading from above, allowing use of a travelling crane, thereby increasing operator safety. Blasted parts must be free of oil, water, grease, or other contaminants that will clog media or filters. By closing the door, be certain that the door is sealed securely or door interlock system will prevent blasting.

#### 4.2.4. Blasting operation



### **ATTENTION!**

**Always close cabinet and, dust collector doors before blasting. Keep all doors closed during blasting.**

**Always wear blast gloves.**

**Avoid pointing the blast nozzle toward the view window.**

**Use the blow-off nozzle to blow media off parts before opening doors.**

**After blasting, keep doors closed and exhauster on until the cabinet is clear of all airborne dust.**

**Stop blasting immediately if dust leaks are detected.**

Always wear rubber blasting gloves while operating the blast cabinet. Open the compressed air supply to the blast cabinet. On the initial start up check for air leaks. Turn on/off switch to the position "I" to switch on the lights and filter pulse cleaning (option). Push button ON to switch on the exhauster. Insert hands through the holes in the front door. Firmly grasp the blast gun and step on the foot pedal. Blasting will begin immediately. Adjust blast pressure using pilot regulator located on the control panel. Pressure gauge on the control panel shows actual blast pressure value. Most effective blasting techniques are smooth continuous strokes. The distance from the part affects size of blast pattern. Normal practice places the nozzle approximately 70 to 150mm from the surface of the part.



### **ATTENTION!**

**Shut down the cabinet immediately if dust discharges from the collector.**

**Check that filters are correctly seated and not worn or damaged.**

**Prolonged breathing of any dust could result in serious lung disease**

**or death. Short term ingestion of toxic dust such as lead, poses an**

**immediate danger to health. Toxicity and health risk vary with dust**

**generated by blasting. Identify all material being removed by blasting, and**

**obtain a material safety data sheet for the media.**

During the blast cabinet operation, the dust collector must regularly be cleaned. This is done manually by opening the ball valve on the dust collector, which expands compressed air at high velocity onto the inner surface of the dust collector filter. This causes the dust to fall off the outer surface of the filter cartridge, and so permit reliable filtration of air. Open the ball valve for only one or two seconds, to give a pulse of compressed air onto the filter. An automatic dust collector pulsed air cleaner is also available. Air is pulsed automatically onto the inner surface of the dust filter according to the timer settings. Prolonged periods of blasting or duty conditions may require adjustment of the timer settings.

#### **4.2.5. Stop blasting operation and shut-down**

To stop blasting, remove pressure on the foot pedal. Use the blow-off nozzle to blow media off cleaned parts. Allow the exhauster to clean the cabinet of airborne dust before opening the door and unloading the parts. Push the “OFF” button to switch off the exhauster. Turn on/of switch to the position “0” to switch off the lights and filter pulse cleaning (when fitted). Shut off the air supply to the blast cabinet and drain air filter.

### **4.3. Adjustment**

#### **4.3.1 Blasting pressure**

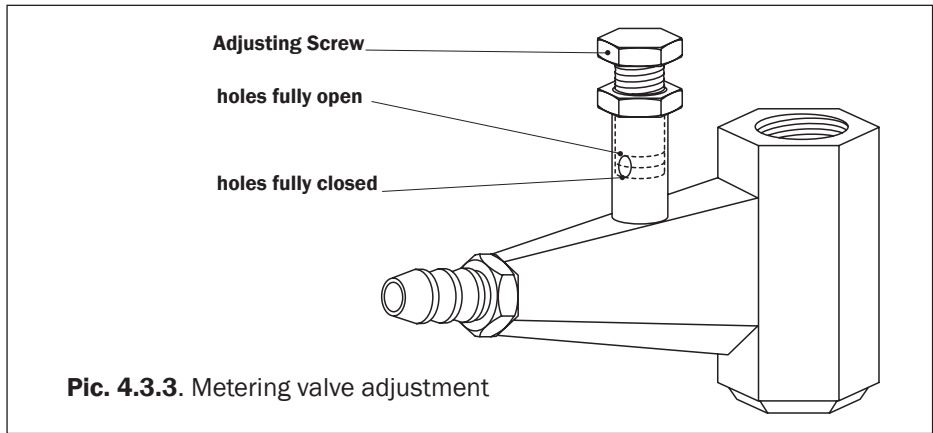
The pilot pressure regulator, located on the control panel of the cabinet, enables the user to adjust the blasting pressure to suit the application. The suitable pressure for most purposes is around 5-6 bar. Lower pressures may be required on delicate substrates, and will reduce media breakdown. Higher pressure may be required for difficult blasting jobs on durable substrates, but will increase media break down. In all cases, highest production can only be achieved when pressure is carefully monitored. Adjust air pressure by turning the knob on the pilot regulator located on the front of the control panel. Pull the knob out, and turn clockwise to increase pressure or counter-clockwise to decrease. Once operating pressure is set, push the knob in to lock.

#### **4.3.2 Air jet adjustment**

The air jet should be screwed 4.5 to 5 full turns into the rear of the GX gun body. Doing so will leave 3.5 to 4 threads exposed past the lock nut. Tighten the lock nut to hold the orifice in place.

### 4.3.3 Media/Air Mixture

Observe media flow through the clear media hose. Media should flow smoothly and evenly through the hose. If the air exiting the nozzle pulses or if media does not flow smoothly, the metering valve requires adjusting. To adjust loosen the locking nut, and adjust the metering screw until the upper holes in the metering stem are closed-off, and the lower holes are fully open.



If pulsation occurs in the media hose, either media is damp and caked, or not enough air is entering the media stream. While blasting, loosen the locking nut and slowly turn the adjusting screw out (counter clockwise when viewed from the top) until the media flows smoothly. Tighten the locking nut to maintain the setting. If media flow is too light, decrease air in the mixture by turning the metering screw in (clockwise when viewed from the top) covering more of the holes so less air enters the media hose. Tighten the locking nut to maintain the setting.

### 4.3.4 Cabinet static pressure

Once the inlet is initially set per section 4.1.5, it seldom requires readjustment. The initial setting produces approximately 50% to 75% of static pressure in the cabinet enclosure.

If readjustment is nevertheless necessary, open the throttle valve on the dust collector further to decrease pressure, or close the throttle valve further to increase static pressure.

### 4.3.5 Door Interlocks

The door interlock disables the blasting control circuit when the door is open. It is located on the gas-pressurized spring on the right hand side of the cabinet, which holds the door closed. To enable blasting, the door interlock switch must be engaged when the door is closed. The interlock is set at the factory and does not usually require field adjustment unless parts are replaced.



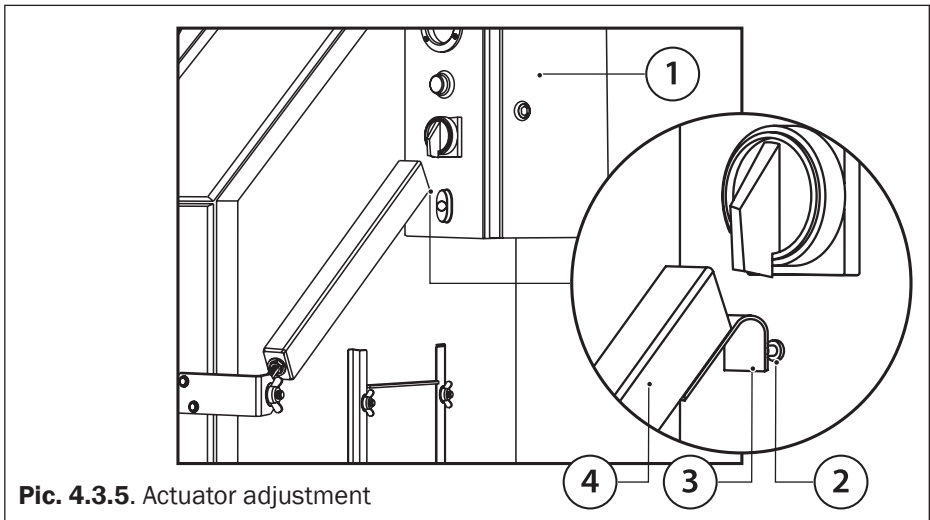
## ATTENTION!

**Never attempt to override the interlock system.**

**Doing so could result in injury from unexpected blasting.**

To adjust the actuator, bend it by hand so that it engages the switch when the door is fully closed. Test the operation with the door both open and closed. Point the nozzle away from the door when it is tested, and only open the door enough to disengage the interlock switch. The interlock should stop the blasting when the door is opened, and permit blasting when the door is closed.

NOTE: Negative pressure inside the cabinet may cause the doors to flex inward. Tests should be performed with the exhauster on. Adjust the cabin static pressure if necessary.



**Fig. 4.3.5.** Actuator adjustment

### 4.3.6 Pulse pressure (option)

Adjust pulse pressure using the regulator mounted on the pulse manifold. The standard pulse pressure setting is 4.5 bar. When pulsing alone does not adequately clean the cartridge, increase pulse pressure by 0.5 bar increments up to max. 6.0 bar. Increasing pulse pressure over 6.0 bar may cause damage to the cartridge filter. If after having increased the pressure, dust cakes on the cartridges and differential pressure increases, adjust cycling of the pulses.

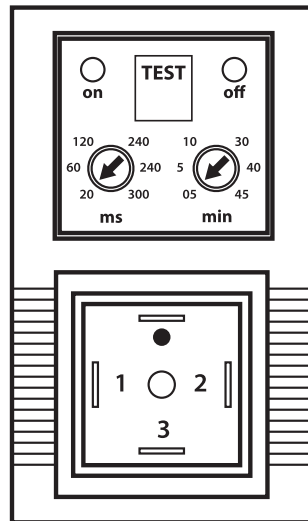
### 4.3.7 Timer (option)

Adjust pulse time and cycling on the timer (see drawing Picture 2. Special model ECO-80SF/100SF//120SF/140SF / Picture 3. Special model ECO-80SL/100SL//120SL/140SL for location). Use ON scale to adjust the pulse length and OFF scale to adjust the time period between the pulses. Begin setting is as follows:

Pulse length (ON scale) - 60 ms (by 4.5 bar pulse pressure)

Time between pulses (OFF scale) - 5 min

**Pic. 4.3.7.** Pulse time and cycling adjustment



## 5. Maintenance

### 5.1. Preventive maintenance

#### 5.1.1 GX manual blast gun

Inspect the GX manual blast gun for wear. Replacing the air jet cover before it wears through will prolong the life of the jet.

### **5.1.2 Dust container**

Empty the dust container regularly. Start by checking the container at least daily or when adding media, then adjust frequency based on usage, contamination and friability of the media.

### **5.1.3 Airline filter**

The cabinet is equipped with a manual drain airline filter. Drain the airline filter at least once a day, more often if required, or if water mist is seen coming out the nozzle. Moist air inhibits the flow of media. If moisture continues to be present, a refrigerated air dryer may be required.

### **5.1.4 Media Hose**

To avoid unscheduled down-time, inspect the media hose for thin spots, especially along outside radius.

## **5.2 Service maintenance**

### **5.2.1 Gloves**

Special static-dissipating gloves have been provided for operator comfort. It will be necessary to change gloves periodically as they wear. The first sign of deterioration may be excessive static shocks.

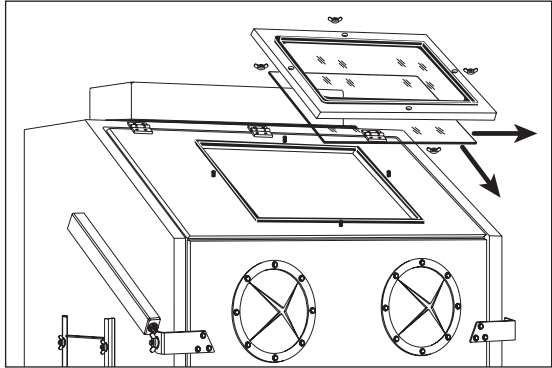
### **5.2.2 Nozzle**

Replace the nozzle when its diameter has increased by max. 2mm or earlier if pressure diminishes noticeably. To change the nozzle, unscrew the knurled holding nut from the gun end. Pull the nozzle from the gun and replace with a new nozzle, placing the tapered end toward the jet. Screw the holding nut back onto the gun. Also see manual for GX Blast Gun.

### **5.2.3 Disposable window replacement**

The window lies flat on the inner frame in the door, and is affixed when the frame of the exterior viewing window is affixed onto the door. To replace the interior disposable window, remove the four screws securing the viewing window frame. Remove the viewing window frame, and then lift the disposable window out. The interior window is manufactured from standard plate glass.

**Pic. 5.2.3.** Disposable window replacement



### 5.2.4 Viewing window replacement



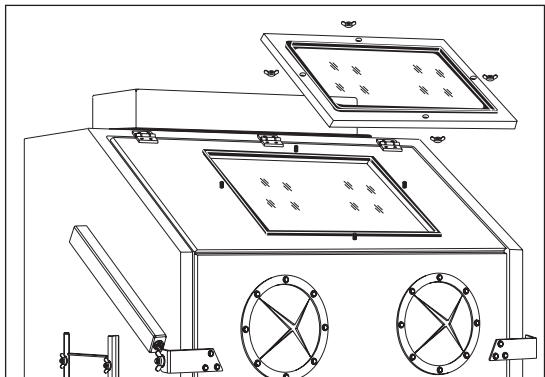
## **ATTENTION!**

**Do not use plate glass for replacement view windows. It could shatter on impact and cause severe injury.**

**Use only original manufacturer approved laminated safety glass.**

The viewing window is affixed with four screws, which are located in the corners of the window frame. To replace the window pane, loosen these four screws, and remove the window frame. Inspect the gaskets for damage. If either gasket is damaged, replace as per section 5.2.5.

**Pic. 5.2.4.1.** Windows frame removal

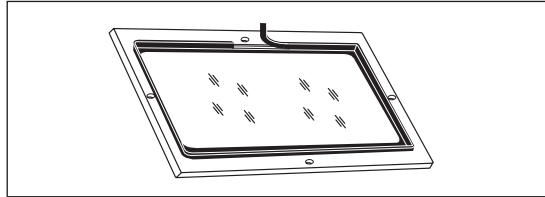


Remove the old window by pulling the window molding.



Install the window molding in the window opening by fitting the narrow slit of the molding over the metal edge of the opening. The molding ends should meet in the middle of the straight section of the opening. Molding should be compressed so the ends are tightly sealed. Working from the front, install the view window into the wide slit of the molding.

**Pic. 5.2.4.2.** Viewing window replacement



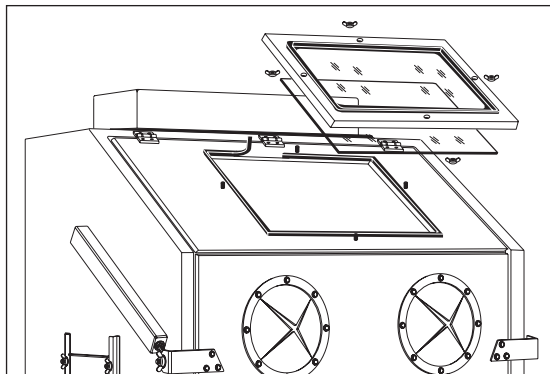
### 5.2.5 Window gasket replacement

Replace the window frame gasket and cabinet window opening gasket at the first sign of media leakage around the view window, or if gaskets appear damaged. Check the gaskets when changing the view window.

Remove the viewing window and window frame per Section 5.2.4. Remove all the old gasket material and clean the surfaces of the cabinet and window frame.

Peel off a small section of adhesive backing from the 15mm strip gasket, and stick the gasket to the center of the top edge of the window opening as shown on Picture 11. Peel off more backing as necessary and guide the strip around the edges of each corner, pressing it firmly. Trim the gasket to fit and press the ends down to seal.

**Pic. 5.2.5.** Window gasket replacement



## 5.2.6 Filter cartridge replacement



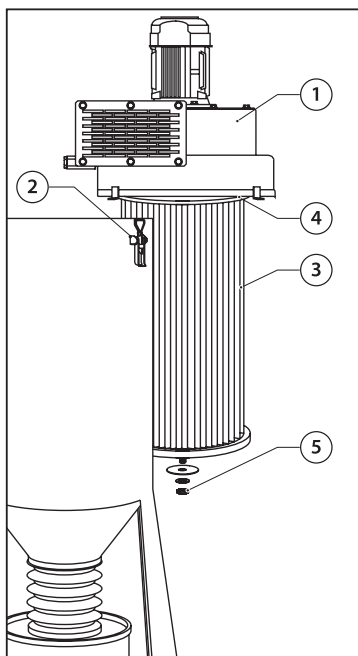
### ATTENTION!

**Failure to wear approved respirators and eye protection when servicing dust-laden areas of the cabinet and dust collector and when emptying the dust collector could result in serious eye irritation and lung disease or death.**

**Toxicity and health risk vary with type of media and dust generated by blasting.**

**The respirator must be approved for the type of dust generated.**

**Identify all material being removed by blasting, and obtain a material safety data sheet for the blast media.**



**Fig. 5.2.6.** Filter cartridge replacement

Close the air supply to the cabinets and bleed all air from the dust collector pulse cleaner manifold. Loosen the three hook-and-eye closures and remove the dust collector lid and fan. Remove the filter cartridge retaining nut, washer and gasket. Lift the filter cartridge out of the dust collector housing. Clean all parts that will be reused, especially around the cartridge sealing area. Scrape off any residual gasket material from the fan housing and dust collector housing sealing surfaces. Install the new cartridge and gasket. Tighten the retaining nut until the cartridge cannot be moved by hand. Tighten the nut one additional full turn. Check the gasket between fan housing and dust collector housing for any condition that will prevent the gasket from sealing. Replace the gasket if necessary. Reattach the fan and lid, and attach the three hook-and-eye closures. Season the cartridge per section 5.2.7.

### 5.2.7 Filter cartridge seasoning

New cartridges must be seasoned. Cartridges are seasoned by letting a dust cake develop on the filter media before cleaning the filter cartridge. Operate the cabinet without cleaning the cartridge for about two hours, or until visibility in the cabinet decreases,

whichever comes first. Only at that point should the dust collector filter be cleaned by opening and closing the ball valve rapidly several times, thereby expanding a pulse of compressed air onto the inner surface of the filter.

When fitted with an automatic pulsed air cleaned dust collector, reduce the pressure of the pulse regulator to 0 bar (see section 4.3.6). The timer will continue to pulse, but as the pulse pressure is null, no cleaning of the filter will occur. Operate the cabinet without pulsing for about two hours, or until visibility decreases, whichever ever comes first. At that point turn the pulse regulator to 4,5 bar, to start the normal pulsing cycle.

## 6. Troubleshooting



### **ATTENTION!**

**To avoid serious injury, observe the following when troubleshooting.**

- . Turn off the air, and lock out and tag out the air supply.**
- . If checking the controls requires air, always enlist the aid of another person to:**
  - Hold the nozzle securely.**
  - Operate the foot pedal.**
- . Never bypass the foot pedal or wedge it in the operating position.**
- . Never override the door interlock system.**

### 6.1. Poor visibility

**6.1.1** Poor visibility may be due to dirty filter cartridge. Empty the dust container regularly. Inspect and replace the cartridge if necessary. It is imperative that the dust collector filter be regularly cleaned (see section 4.2.4).

**6.1.2** Fan motor rotating backwards. The motor should rotate as indicated by the arrow on the housing. If it does not rotate in the proper direction, lockout and tag-out the power supply and switch the motor leads as shown on the motor plate.

**6.1.3** Using soft media that rapidly breaks down, or using media that is too fine or worn out can increase dust quantity and thus cause poor visibility.

**6.1.4** Throttle valve for air suction closed too far, restricting air flow in cabinet. Adjust

static pressure per Section 4.3.4.

## **6.2 Abnormally high media consumption**

**6.2.1** Outlet damper open too far. Adjusting static pressure in Section 4.3.4.

**6.2.2** Using soft media that rapidly breaks down, or using media that is too fine or worn out.

**6.2.3** Nozzle pressure too high for media, causing media to break down.

## **6.3 Reduction in blast cleaning rate**

**6.3.1** Low media level reducing media flow. Check and fill if low.

**6.3.2** Incorrect metering valve adjustment. Adjust per Section 4.3.3.

**6.3.3** Reduced air pressure. This may be caused by a malfunctioning regulator, a dirty filter element in air filter, partially closed air valve, leaking airline, or other air tools in use.

**6.3.4** Blockage in media line or gun. Blockage may occur as a result of a missing debris screen, or incorrect metering valve adjustment permitting heavy media flow. Check media valve adjustment per Section 4.3.3.

**6.3.5** Worn gun parts such as nozzle or air jet. Inspect and replace all worn parts.

**6.3.6** Worn media hose. Check hose for leaks and soft spots. Replace when worn or damaged.

**6.3.7** Air jet in gun is misaligned. Consult manual for GX Blast Gun and section 4.3.2.

**6.3.8** Moist blast media. Frequent bridges or blockage in the area of the metering valve can be caused by moisture. See Section 4.3.3.

## **6.4 Plugged nozzle**

**6.4.1** Media mixture too rich. Adjust media/air mixture per Section 4.3.3.

## **6.5. Media bridging**

**6.5.1** Frequent bridging or blockage in the metering valve can be caused by damp media. Media becomes damp by blasting parts that are slightly oily, from moisture in the compressed air line, or from absorption.

**6.5.2** To avoid contaminating media from the work piece, all parts put into the cabinet should be clean and dry. If parts are oily or greasy, degrease and dry them prior to blasting.

**6.5.3** Moist compressed air may be due to a faulty compressor that overheats, or pumps oil or moisture into the air line, too long an air line permitting moisture to condense on the inside, or from high humidity. Drain filters and receiver tank regularly. If the problem persists, it may be necessary to change media more often, or install a refrigerated air dryer.

**6.5.4** Absorption: Some media tends to absorb moisture from the air, especially fine-mesh media in high humidity areas. Empty the media and store it in an airtight container when cabinet is not in use. Dry areas. Empty the media and store it in an airtight container when cabinet is not in use.

## **6.6 Neither media nor air comes out the nozzle when the foot pedal is pressed**

**6.6.1** Door interlock not engaging. Check adjustment per Section 4.3.5.

**6.6.2** Blocked or leaking control lines. Check all fittings and urethane tubing for blockage or leaks.

**6.6.3** Foot pedal 3-way valve defective or not engaging. Check foot pedal alignment, and inlet and outlet lines for pressure.

**6.6.4** Check that lines are not reversed on the foot pedal or pilot regulator. See schematic in Picture 20 Pneumatic circuit diagram.

**6.6.5** Check that the pressure regulator is not turned too low. Minimum pressure is 3 bar.

**6.6.6** Check that the compressor is on and air supplied to the cabinet.

**6.6.7** Nozzle plugged. See Section 6.4 or 4.3.2.

## **6.7 Blasting does not stop when the foot pedal is released**

**6.7.1** Make sure that the 3-way valve in the foot pedal exhausts air when the pedal is released. If it does not, check the line for blockage, and check the switch for defect.

## **6.8 Blockage in media hose**

**6.8.1** Media obstructions. Usually caused when the media mixture is too rich. Adjust media/air mixture per. Section 4.3.3.

**6.8.2** Wet or damp media. See Section 6.5.

## **6.9 Media surge**

**6.9.1** Heavy media flow. Adjust per Section 4.3.3.

## **6.10 Poor suction in media hose**

**6.10.1** Inadequate air supply. Check the Table 3.1 Compressed air requirements.

**6.10.2** Air jet needs adjustment. Check adjustment per Section 4.3.2.

**6.10.3** Nozzle worn. Replace if worn 2mm or more.

**6.10.4** Blockage in media hose or nozzle. See Section 6.8.

**6.10.5** Wrong size combination of air jet and nozzle. See Table 3.1 Compressed air requirements.

**6.10.6** Air jet sleeve extends past end of air jet. Cut the sleeve to align with the air jet.

## **6.11 Blow-back through media hose**

**6.11.1** Blockage in nozzle. Remove the nozzle and check blockage.

**6.11.2** Air jet may be too large for nozzle. See Table 3.1 Compressed air requirements.

## **6.12 Static shocks**

**6.12.1** Cabinet and/or operator not grounded. Abrasive blasting creates static electricity. The cabinet must be grounded to prevent static build-up. See Sections 4.1.3. If shocks persist, the operator may be building up static. Attach a small ground wire (such as a wrist strap) from the operator to the cabinet.

**6.12.2** Avoid holding parts off the grating. Static will buildup in the part if not dissipated through the metal cabinet.

## **6.13 Dust leaking from dust collector**

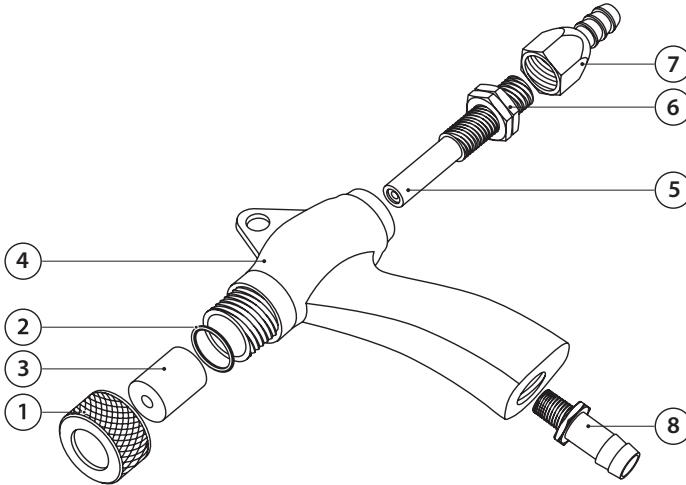
**6.13.1** Damaged or loose cartridge. Inspect filter cartridge.

**6.13.2** Faulty seal on the dust collector lid. Inspect seal and replace if damaged.

# 7. Replacement parts

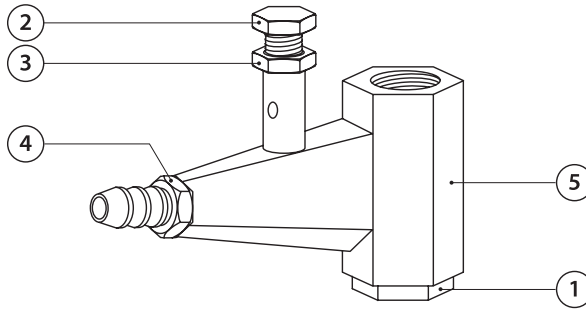
## 7.1. GX gun and feed assembly

**Pic. 7.1.** Blast cabinet gun GX, assembly drawing



Pos. No	Order code	Description	Amount
	10115300	Suction blast gun, without nozzle	
1	10115313	Nozzle holding nut	1
2	10115312	Rubber O-ring	1
3	10115508	Tungsten carbide nozzle for GX blast gun, Ø 8 mm	1
4	10115304	Gun body	1
5	10115307	Air jet Ø 4,0 mm	1
6	10115309	Lock nut	1
7	10115310	Swivel hose fitting, compressed air hose	1
8	10115311	Hose fitting, blast media hose	1

## 7.2. Metering valve assembly

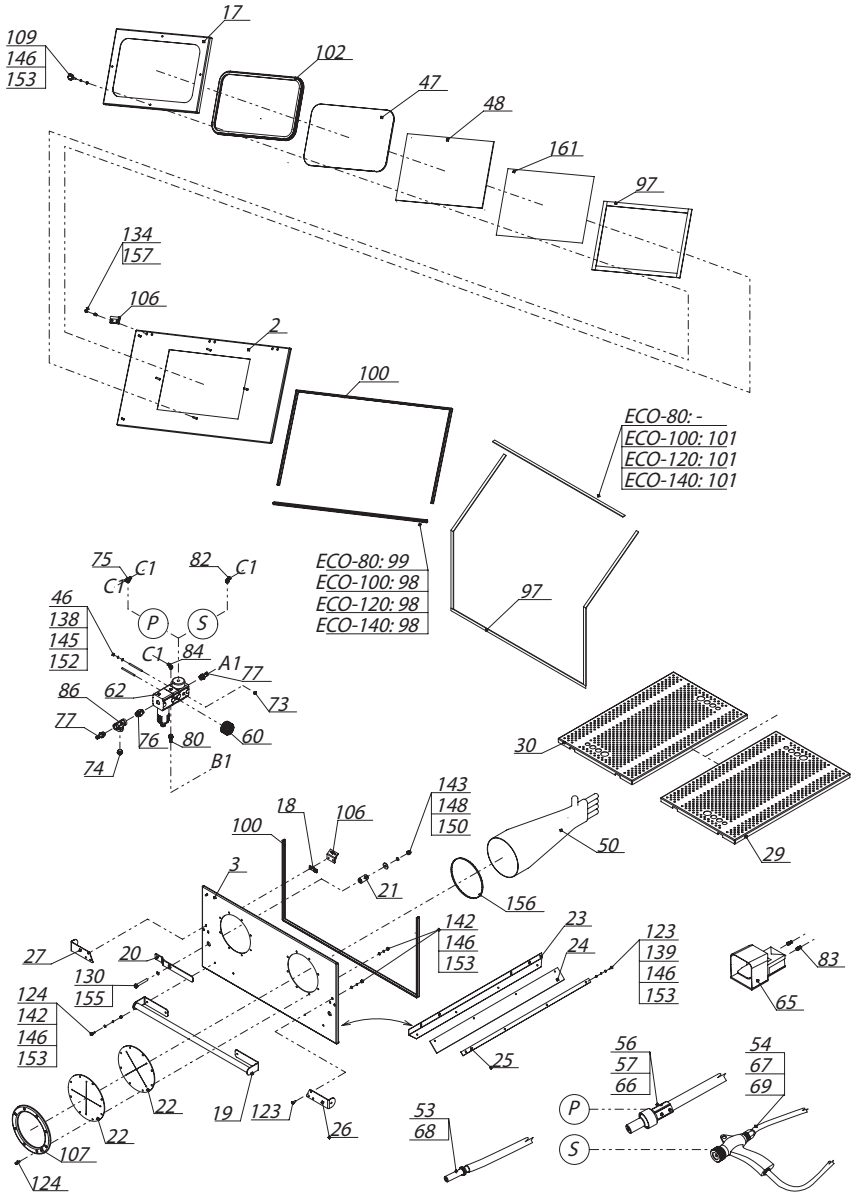


**Pic. 7.2.** Metering valve,  
blast media

Pos. No	Order code	Description	Amount
	10115920	Metering valve, blast media	1
1	10115921	Drain Plug	1
2	10115922	Adjusting screw	1
3	10115923	Lock nut	1
4	10115924	Hose fitting, blast media hose	1
5	10115925	Valve body	1

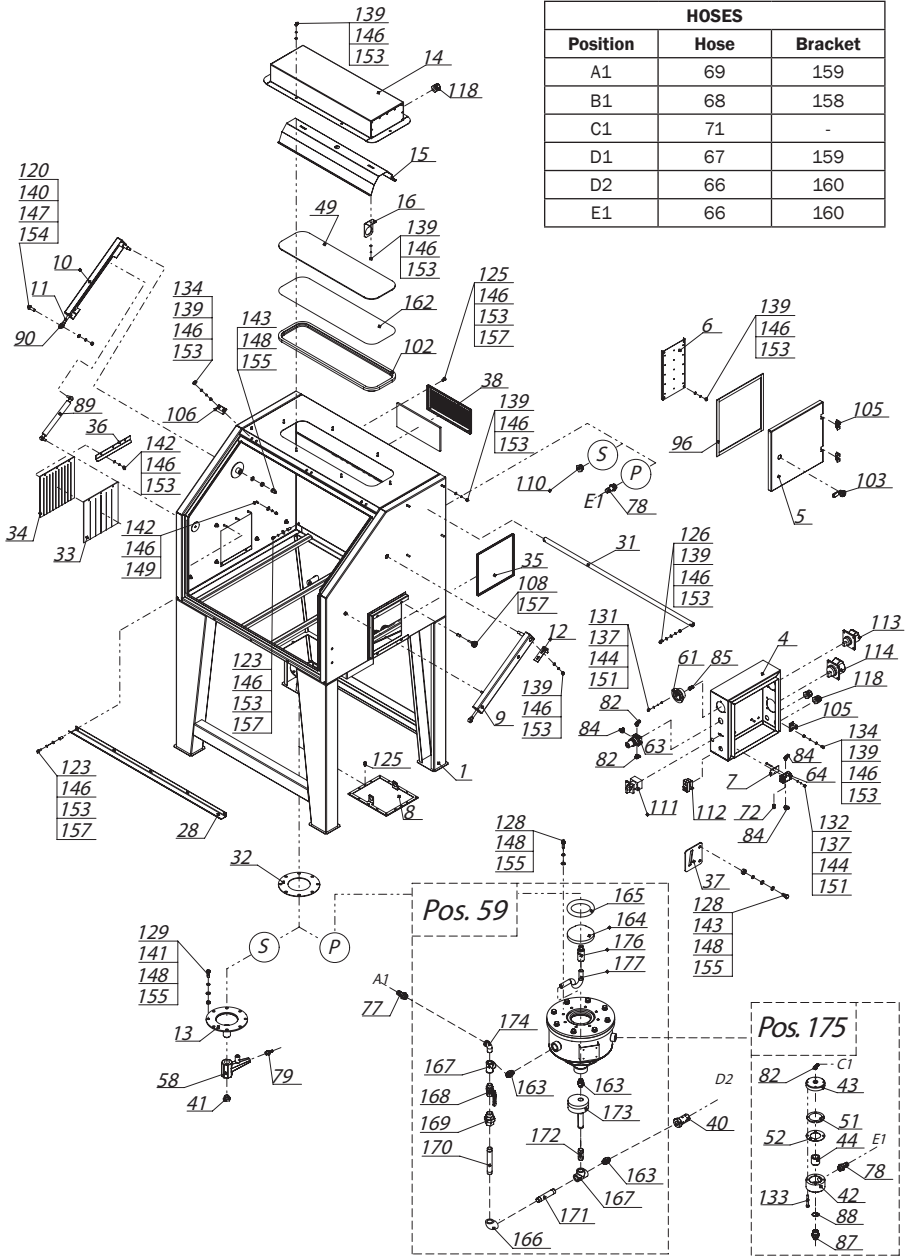


### 7.3. Cabinet assembly



**Pic. 7.3.1.** Cabinet componets overview  
ECO-80S/100S/120S/140S

HOSES		
Position	Hose	Bracket
A1	69	159
B1	68	158
C1	71	-
D1	67	159
D2	66	160
E1	66	160



Pos. No.	Artikeleno.	Description	ECO 80S	ECO 100S	ECO 120S	ECO 140S
1	88000003	Cabinet body	1			
	88000004	Cabinet body		1		
	88000005	Cabinet body			1	
	88000006	Cabinet body				1
2	81100042	Cabinet door upper	1			
	81100044	Cabinet door upper		1		
	81100046	Cabinet door upper			1	
	89500001	Cabinet door upper				1
3	81100043	Cabinet door low	1			
	81100045	Cabinet door low		1		
	81100047	Cabinet door low			1	
	89500002	Cabinet door low				1
4	83400018	El. Cabinet	1	1	1	1
5	83100040	E. cabinet door	1	1	1	1
6	86900009	Panel	1	1	1	1
7	89300001	Plate	1	1	1	1
8	87100011	Grid	1	1	1	1
9	88300004	Right rod		1		
	88300007	Right rod			1	
	88300010	Right rod				1
10	88300005	Left rod		1		
	88300008	Left rod			1	
	88300011	Left rod				1
11	89200001	Shaft	2	2	2	2
12	82100004	Shoulder	1	1	1	1
13	88700002	Cone	1	1	1	1
14	83400019	Lantern	1	1	1	1
15	82600003	Reflector	1	1	1	1
16	80600030	Bracket	2	2	2	2
17	83900012	Frame	1	1	1	1
18	85800005	Plate	2	4	6	8
19	87500005	Handle	1			
	87500004	Handle		1	1	1
20	87500003	Handle	2	2	2	2
21	86000003	Muff	2	2	2	2
22	84000004	Rubber shield	4	4	4	4

Pos. No.	Artikele No.	Description	ECO 80S	ECO 100S	ECO 120S	ECO 140S
23	82400041	Strip	1			
	82400025	Strip		1		
	82400026	Strip			1	
	82400027	Strip				1
24	82400042	Rubber shield	1			
	82400043	Rubber shield		1		
	82400044	Rubber shield			1	
	82400040	Rubber shield				1
25	81050002	Strip	1			
	82400038	Strip		1		
	82400045	Strip			1	
	82400039	Strip				1
26	80600018	Bracket	1			
	80600021	Bracket		1		
	80600023	Bracket			1	1
27	80600019	Bracket	1			
	80600020	Bracket		1		
	80600024	Bracket			1	1
28	89100001	Gutter	1			
	89100002	Gutter		1		
	89100003	Gutter			1	
	89100004	Gutter				1
29	88800005	Floor plate	1			
	88800007	Floor plate		1		
	88800009	Floor plate			1	
	88800011	Floor plate				1
30	88800006	Floor plate	1			
	88800008	Floor plate		1		
	88800010	Floor plate			1	
	88800012	Floor plate				1
31	88300003	Rod	1			
	88300006	Rod		1		
	88300009	Rod			1	
	88300012	Rod				1
32	88500007	Rubber gasket	1	1	1	1
33	84000005	Rubber shield	2	2	2	2

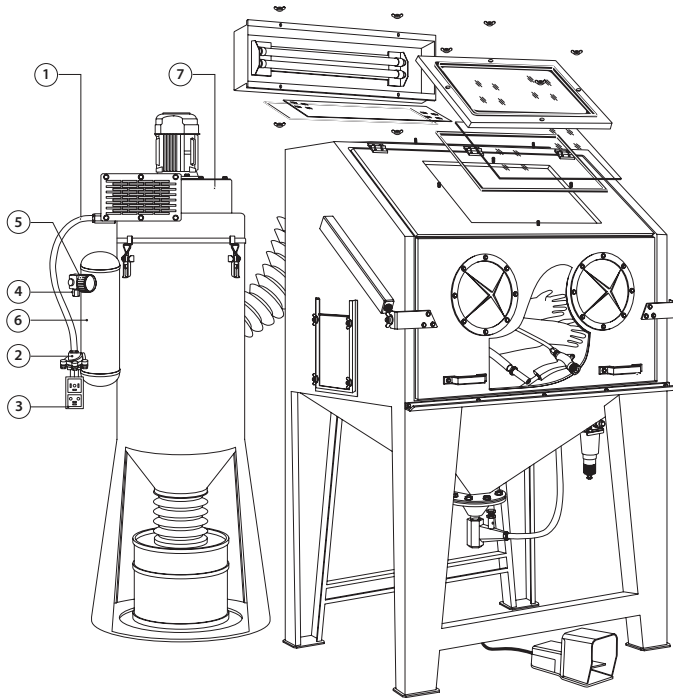
Pos. No.	Artikele No.	Description	ECO 80S	ECO 100S	ECO 120S	ECO 140S
34	84000006	Rubber shield	2	2	2	2
35	88400002	Dumper plate	2	2	2	2
36	82600004	Reflector plate	2	2	2	2
37	81400014	Plate	2	2	2	2
38	89400002	Grid socket	1	1	1	1
39	22020001	Pin-wrench				
40	85800003	Screw connection				
41	52030002	Plug	1	1	1	1
42	83400025	Blow-out valve body				
43	81100054	Blow-out valve top				
44	10100001	Blow-out valve socket				
46	85900002	Pin	2	2	2	2
47	22030001	Safety glas window	1	1	1	1
48	22030002	Disposable window	1	1	1	1
49	22030003	Light glass window	1	1	1	1
50	10115606	Blast cabinet gloves	1	1	1	1
51	29000028	Diaphragm				
53	10115901	Air blow-off nozzle	1	1	1	1
54	10115300	Blast cabinet gun	1	1	1	1
55	10115508	Nozzle	1	1	1	1
56	10112551	Nozzle				
57	10112209	Nozzle holder				
58	10115920	Metering valve	1	1	1	1
59	22040001	Blast machine assembly				
60	51202008	Pressure gauge		1	1	1
61	51202010	Pressure gauge	1	1	1	1
62	51203002	Pneumatic filtration and control unit	1	1	1	1
63	51201001	Pressure regulator	1	1	1	1
64	51203007	Door interlock	1	1	1	1
65	51203003	Pneumatic foot pedal	1	1	1	1
66	10112109	Blast hose	0	0	0	0
67	41102004	Rubber hose	1,8	2	2,4	3
68	10130900	Rubber hose	1,9	2	2,3	2,8
69	41200001	Rubber hose	4	5,5	6,5	7,5
70	41101003	Rubber hose	2	2	2	2
71	41101001	Rubber hose	7,9	8	7,9	9,5

Pos. No.	Artikele No.	Description	ECO 80S	ECO 100S	ECO 120S	ECO 140S
72	51204001	Silencer	1	1	1	1
73	51205003	Plug	1	1	1	1
74	51205006	Plug	1	1	1	1
75	51100015	Screw connection				
76	51400006	Screw connection	1	1	1	1
77	51300002	Screw connection	2	2	2	2
78	85800006	Screw connection				
79	51300007	Screw connection	1	1	1	1
80	51300008	Screw connection	1	1	1	1
81	51300009	Screw connection	1	1	1	1
82	51100004	Screw connection	3	3	3	3
83	51100003	Screw connection	2	2	2	2
84	51100004	Screw connection	4	4	4	4
85	51100006	Screw connection	1	1	1	1
86	52070001	Screw connection	1	1	1	1
87	51400010	Screw connection				
88	67000008	Gasket				
89	51500002	Gas spring	2			
	51500003	Gas spring		2		
	51500005	Gas spring			2	
	51500010	Gas spring				2
90	51500013	End piece	2	2	2	2
91	90855146	Rubber gland	2	2	2	2
92	90855156	Rubber gland	4	4	4	4
93	90855166	Rubber gland				
94	90855155	Rubber plug				
95	90855165	Rubber plug	1	1	1	1
96	90407004	Gasket	3,07	3,07	3,07	3,07
97	90407005	Gasket	2,9	2,7	3,2	3,4
98	90401004	Gasket	0,8	0,9	1,1	1,3
99	90401001	Gasket	2,9	2,1	2,1	2,1
100	90401002	Gasket	2,9	3,5	4,2	4,5
101	90401005	Gasket	0,8	0,9	1,1	1,3
102	90406001	Gasket	3,2	3,2	3,2	3,2
103	90201001	Lock	1	1	1	1
104	90203001	Key	1	1	1	1

Pos. No.	Artikele No.	Description	ECO 80S	ECO 100S	ECO 120S	ECO 140S
105	90202003	Hinge	2	2	2	2
106	90202006	Hinge	4	5	6	8
107	22140005	Flange	2	2	2	2
108	90204004	Knob	8	8	8	8
109	90204006	Knob	4	4	4	4
110	52030001	Plug	1	1	1	1
111	32060001	Main switch 0-I	1	1	1	1
112	33070001	Double pushbuttons ON / OFF	1	1	1	1
113	33280003	Jack	1	1	1	1
114	33280005	Jack	1	1	1	1
115	33270005	Plug	1	1	1	1
116	33140003	Lamp	2	2	2	2
117	33140004	Lamp socket	2	2	2	2
118	33030002	Glang	4	4	4	4
119	33030012	Glang	1			
120	61110830	Hexagon Screw	2	2	2	2
121	61110610	Hexagon Screw	8	8	8	8
122	61110612	Hexagon Screw	8	8	8	8
123	61110616	Hexagon Screw	13	13	13	13
124	61110620	Hexagon Screw	24	24	30	30
125	61110630	Hexagon Screw	8	8	8	8
126	61110640	Hexagon Screw	2	2	2	2
127	61110855	Hexagon Screw	1	1	1	1
128	61111025	Hexagon Screw	4	4	4	4
129	61111030	Hexagon Screw	8	8	8	8
130	61111070	Hexagon Screw	2	2	2	2
131	62310420	Screw	3	3	3	3
132	62510410	Screw	3	3	3	3
133	62110860	Screw				
134	62310616	Screw	24	24	24	24
135	62510420	Screw	8	8	8	8
136	62804213	Screw				
137	63110004	Nut	6	6	6	6
138	63110005	Nut	4	4	4	4
139	63110006	Nut	46	46	60	60
140	63110008	Nut	7	9	8	8

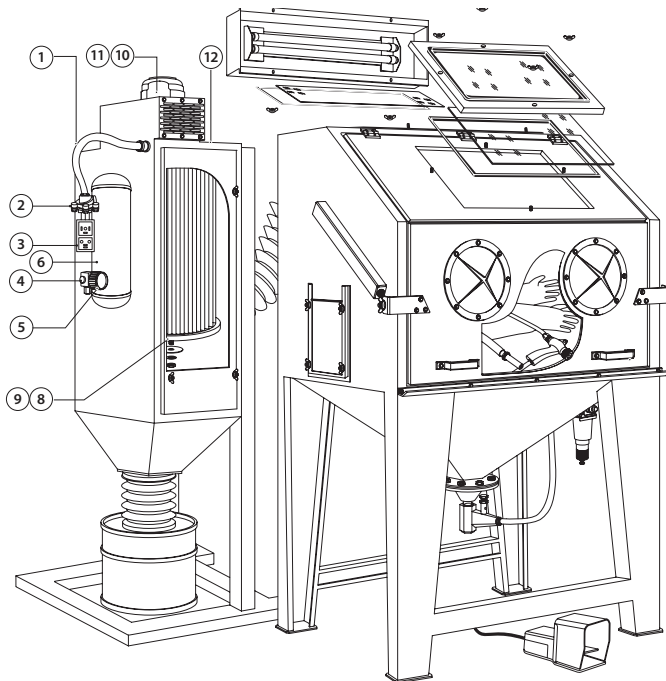
<b>Pos. No.</b>	<b>Artikele No.</b>	<b>Description</b>	<b>ECO 80S</b>	<b>ECO 100S</b>	<b>ECO 120S</b>	<b>ECO 140S</b>
141	63110010	Nut	8	10	10	10
142	63300006	Nut	50	50	50	50
143	63300010	Nut	8	8	8	8
144	64310004	Spring Washer	6	6	6	6
145	64310005	Spring Washer	4	4	2	2
146	64310006	Spring Washer	112	112	126	126
147	64310008	Spring Washer	4	6	6	6
148	64310010	Spring Washer	10	10	10	10
149	64210006	Washer	26	26	26	26
150	64210010	Washer	4	4	4	4
151	64110004	Washer	6	6	6	6
152	64110005	Washer	4	4	4	4
153	64110006	Washer	106	106	106	106
154	64110008	Washer	2	2	2	2
155	64110010	Washer	24	20	20	20
156	90100001	Clamp for hose	4	4	4	4
157	66010002	Rivet	43	43	43	43
158	90100005	Clamp for hose	2	2	2	2
159	90100006	Clamp for hose	6	6	6	6
160	90100007	Clamp for hose				
161	87100014	Grid	1	1	1	1
162	87100015	Grid	1	1	1	1
163	10110521	Nipple	3	3	3	3
164	10115315	Pop-up valve	1	1	1	1
165	10115316	Ring	1	1	1	1
166	10110548	Elbow	1	1	1	1
167	10110524	T-piece	2	2	2	2
168	10110525	Ball valve	1	1	1	1
169	10110522	Union	1	1	1	1
170	10110546	Pipe	1	1	1	1
171	10110529	Pipe	1	1	1	1
172	10110531	Pipe	1	1	1	1
173	10110520	Abrasive metering valve	1	1	1	1
174	10110550	Elbow	1	1	1	1
175	51203005	Blow-out valve	1	1	1	1
176	10110532	Guide				
177	82000135	Guide				





**Pic. 7.3.2.** Special model ECO-80SF/100SF/120SF/140SF

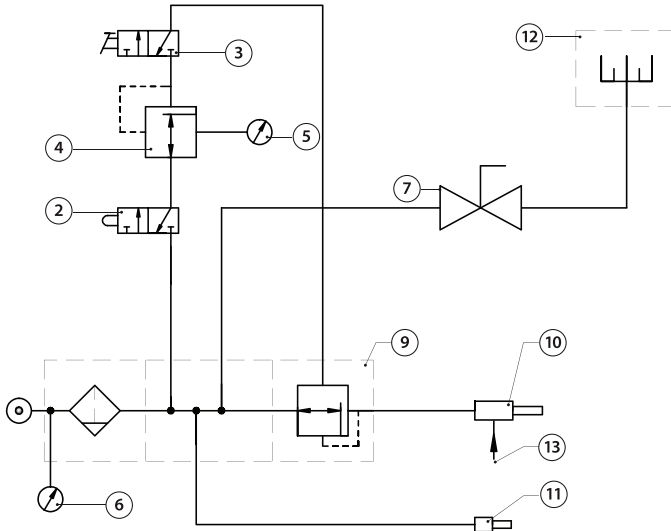
Pos. No	Order code	Description	Amount
	10117525	Pulse jet cleaning system, upgrade package for DC-370	
1	10151002	AirFlex-19, Compressed air hose 19x28mm, 1m	0,5 m
2	51203004	Diaphragm pulse-jet valve 3/4"	1
3	32040001	Electronic timer for pulse-jet valve	1
4	51201001	Pressure regulator, 1/4"	1
5	10130404	Pressure gauge 1/8" (rubber cover)	1
6	88600001	Pulse-jet cleaning manifold	1
7	22010301	Impeller for DC-370	1



**Pic. 7.3.3.** Special model ECO-80SL/100SL/120SL/140SL

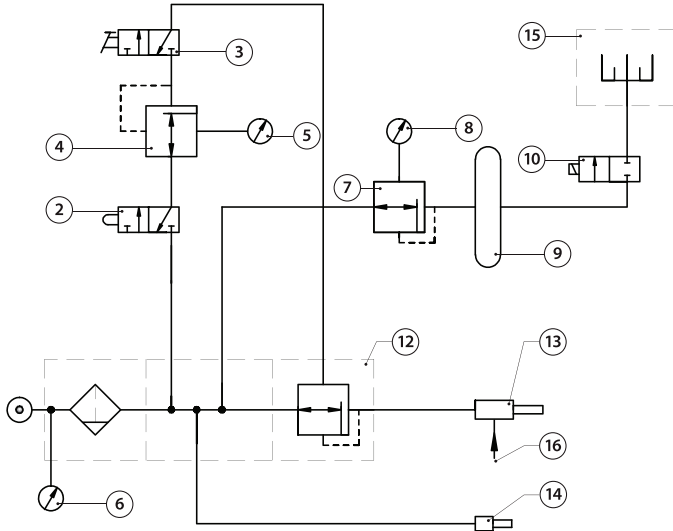
Pos. No	Order code	Description	Amount
	10117513	Cartridge dust collector DC-550, incl. 0,55 kW fan, cartridge filter, pulse jet cleaning system	
	10117514	Cartridge dust collector DC-750, incl. 0,75 kW fan, cartridge filter, pulse jet cleaning system	
1	10151002	AirFlex-19, Compressed air hose 19x28mm, 1 m	0,5 m
2	51203004	Diaphragm pulse-jet valve 3/4"	1
3	32040001	Electronic timer for pulse-jet valve	1
4	51201001	Pressure regulator, 1/4"	1
5	10130404	Pressure gauge 1/8" (rubber cover)	1
6	88600001	Pulse-jet cleaning manifold	1
8	22070103	Filter cartridge for DC-550	1
9	22070104	Filter cartridge for DC-750	1
10	31120002	Electric motor 0,55 kW for DC-550	1
11	31120003	Electric motor 0,75 kW for DC-750	1
12	22010101	Impeller for DC-550	1
	22010201	Impeller for DC-750	1

## 7.4. Pneumatic circuit diagram



**Pic. 7.4.1.** Pneumatic circuit diagram standard delivery ECO-80S/100S/120S/140S

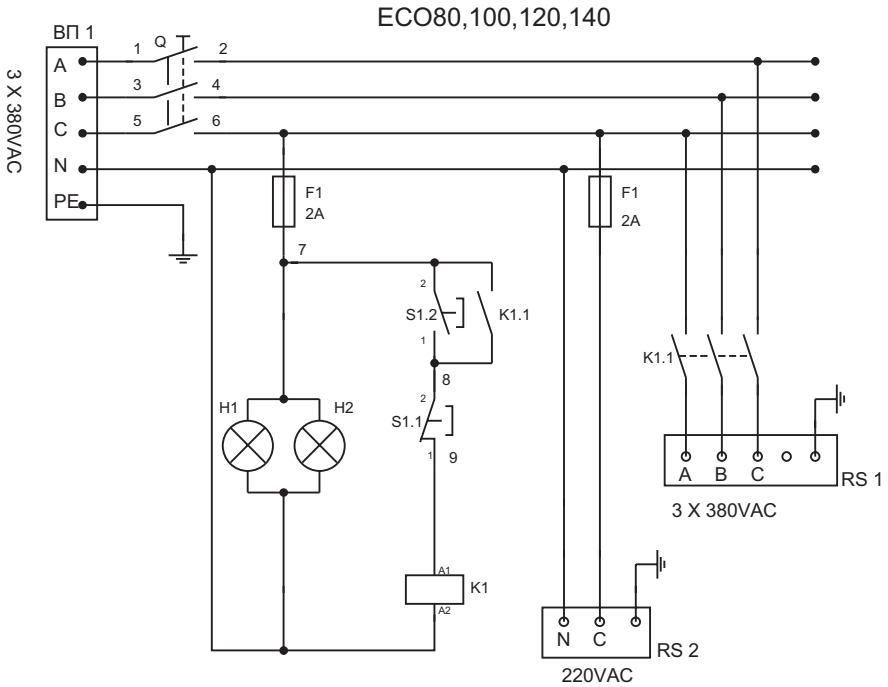
Pos. No	Order code	Description
2	51203007	Door interlock 1/8"
3	51203003	Pneumatic foot pedal
4	51201001	Pressure regulator, 1/4"
5	51202010	Panel mounting pressure gauge 1/8"
6	10130404	Pressure gauge 1/8" (rubber cover)
7	10110525	Ball valve, 1/2", (FM)
9	51203002	Pressure regulator 1", pilot operated
10	10115300	GX Suction blast gun, without nozzle
11	10115901	Air blow-off nozzle, rubber
12	22070106	Cartridge filter for DC-370
13		Blast media line



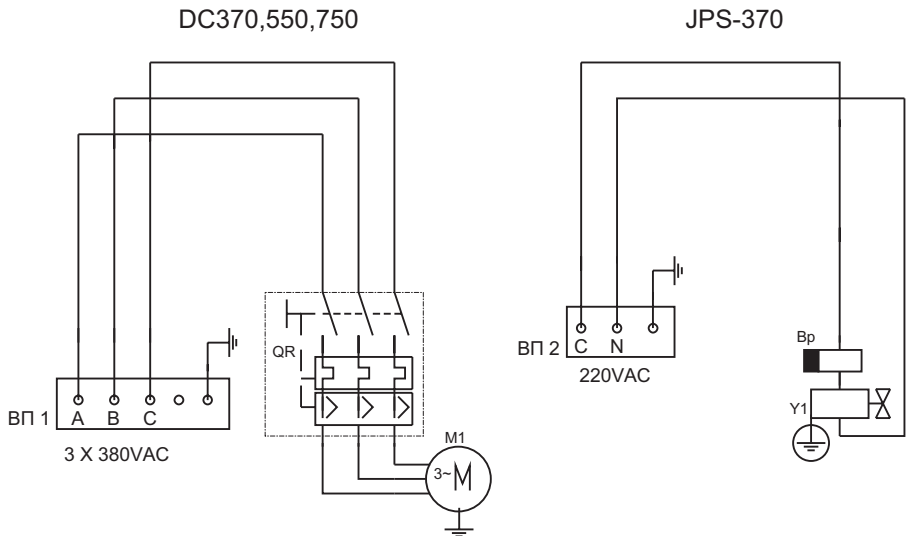
**Pic. 7.4.2.** Pneumatic circuit diagram special model  
ECO-80SF/100SF/120SF/140SF/ ECO-80SL/100SL/120SL/140SL

Pos. No	Order code	Description
2	51203007	Door interlock 1/8"
3	51203003	Pneumatic foot pedal
4	51201001	Pressure regulator, 1/4"
5	51202010	Panel mounting pressure gauge 1/8"
6	10130404	Pressure gauge 1/8" (rubber cover)
7	51201001	Pressure regulator, 1/4"
8	51202008	Pressure gauge 1/4" (rubber cover)
9	88600001	Pulse-jet cleaning manifold
10	51203004	Diaphragm pulse-jet valve 3/4"
12	51203002	Pressure regulator 1", pilot operated
13	10115300	GX Suction blast gun, without nozzle
14	10115901	Air blow-off nozzle, rubber
15	22070106	Cartridge filter for DC-370
	22070103	Cartridge filter for DC-550
	22070104	Cartridge filter for DC-750
16		Blast media line

## 7.5. Electric circuit diagram



**Pic. 7.3.1.** Electric circuit diagram standard delivery ECO-80/100/120/140



**Pic. 7.3.2.** Electric circuit diagram DC-370/550/750

Pos. No	Order code	Description
K1	35010011	Contactora 3-poles
S1	33070001	Doppeldrucktaster EIN / AUS
HS	32060001	Main switch 0-I
M	31120001	Electric motor DC-370
	31120002	Electric motor DC-550
	31120003	Electric motor DC-750
Y1	51203004	Diaphragm pulse-jet valve
F	32080002	Fuze
RS 1,2	33280005	Jack
	33280003	Jack
BP 1,2	33270005	Plug
	33270006	Plug
Bp	32040001	Electronic timer
QR	32130003	Automatic switch
	32130002	Automatic switch

<b>1. Sicherheitshinweise</b>	<b>52</b>
<b>2. Lieferumfang und Beschreibung</b>	<b>53</b>
<b>3. Aufbau, Betrieb und Beenden der Arbeit</b>	<b>66</b>
<b>4. Strahlvorgang</b>	<b>68</b>
<b>5. Wartung</b>	<b>76</b>
<b>6. Störungsbeseitigung</b>	<b>81</b>
<b>7. Allgemeine Zeichnungen/Diagramme</b>	<b>86</b>



## **ACHTUNG!**

**BITTE LESEN SIE DIESES HANDBUCH VOR GEBRAUCH DER MASCHINE GENAU DURCH:**

**DIE FOLGENDEN INFORMATIONEN SIND WICHTIG FÜR DIE SICHERHEIT UND GESUNDHEIT DES ANWENDERS UND PERSONEN, DIE SICH IN DER NÄHE AUFHALTEN.**



## **ACHTUNG!**

**ACHTEN SIE BEIM KAUF DER MASCHINE BITTE DARAUF, DASS DIE GARANTIEKARTE VOLLSTÄNDIG AUSGEFÜLLT WIRD.**

**WENN DIE KARTE NICHT AUSGEFÜLLT VORLIEGT, BESTEHT KEIN GARANTIEANSPRUCH.**

# 1. Sicherheitshinweise



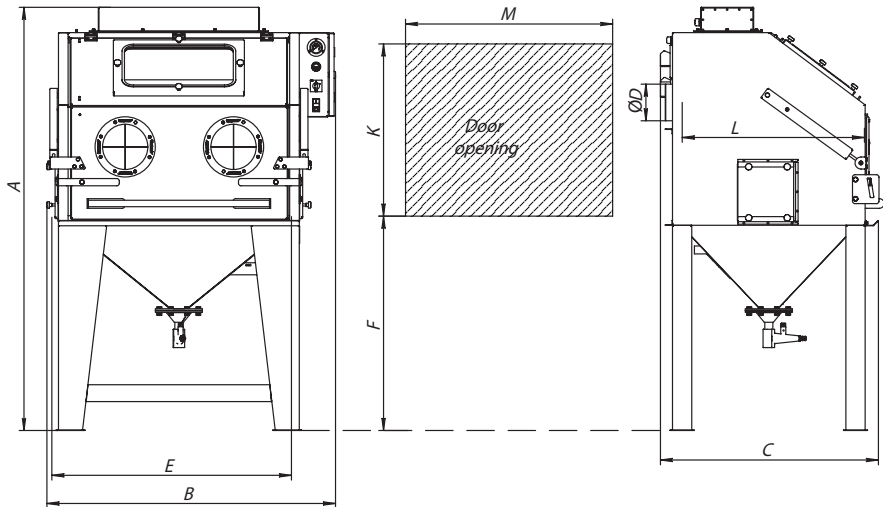
## **ACHTUNG!**

### **SICHERHEITSREGELN FÜR DEN BETRIEB DER STRALKABINE**

- 1. Tragen Sie bei Strahlarbeiten immer Schutzhandschuhe.**
- 2. Benutzen Sie keine abgenutzte oder beschädigte Ausrüstung.**
- 3. Richten Sie die Düse nur auf den zu bearbeitenden Bereich. Richten Sie die Düse nie auf das Kabinfenster.**
- 4. Verwenden Sie nur trockene, gut durchgesiebte Strahlmittel, die für Strahlarbeiten geeignet sind.**
- 5. Vor Beginn der Arbeit mit der Stralkabine:**
  - Stellen Sie sicher, dass Handschuhe, Dichtungen, Schläuche und Verbinder nicht abgenutzt sind.**
  - Bei Verwendung von Schlauchverbindern müssen diese mit Draht gesichert werden**
  - Stellen Sie sicher, dass die Kabine geerdet ist**
- 6. Während des Strahlvorgangs müssen alle Türen an Kabine, Rückgewinnung und Staubabscheider geschlossen sein.**
- 7. Benutzen Sie die Abblasdüse um das Werkstück von Strahlmittel zu reinigen, bevor Sie die Absaugung abschalten und die Türen öffnen.**
- 8. Öffnen Sie die Türen oder schalten Sie die Absaugung erst ab, wenn die Luft in der Kabine staubfrei ist.**

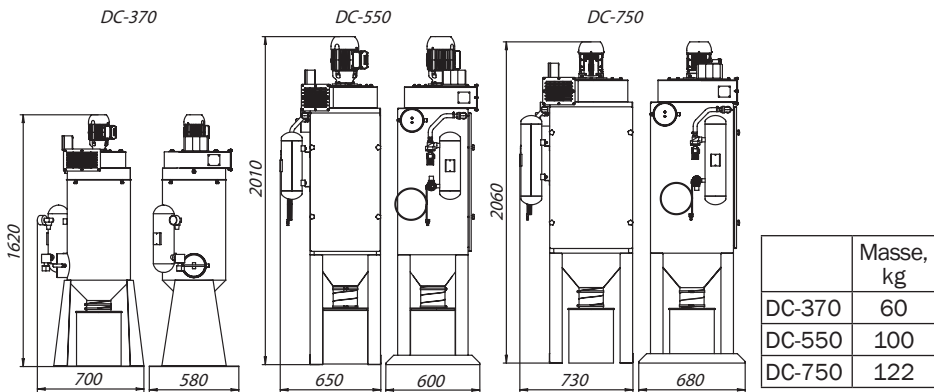


## 2. Lieferumfang und Beschreibung

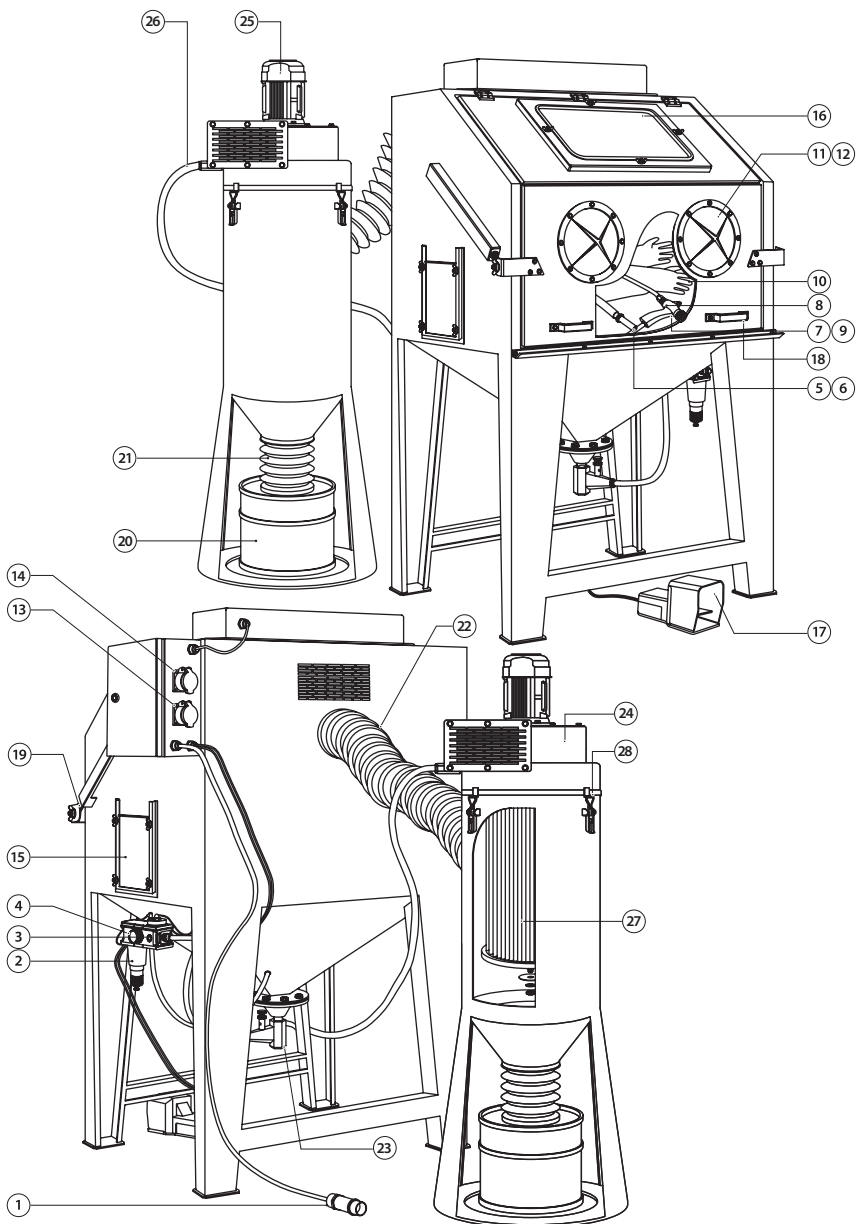


	A, mm	B, mm	C, mm	D, mm	E, mm	F, mm	K, mm	L, mm	M, mm	Masse, kg
ECO-80	1665	1000	685	52	800	890	620	535	680	139
ECO-100	1760	1200	910	52	1000	890	715	755	860	246
ECO-120	1860	1400	1110	52	1200	890	820	950	1085	274
ECO-140	2185	1650	1255	52	1350	1145	885	1130	1240	309

**Abb. 2.1.** Gesamtabmessungen Strahlkabine ECO-80S/100S/120S/140S

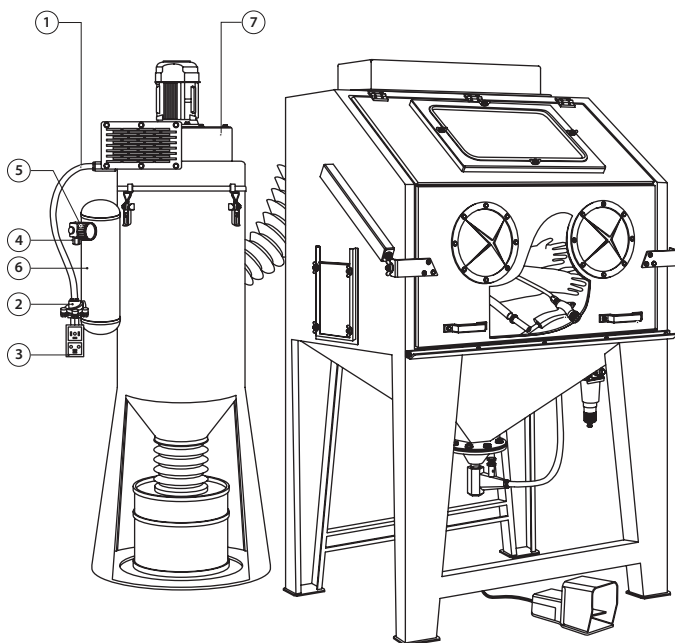


**Abb. 2.2.** Gesamtabmessungen DC-370/550/750



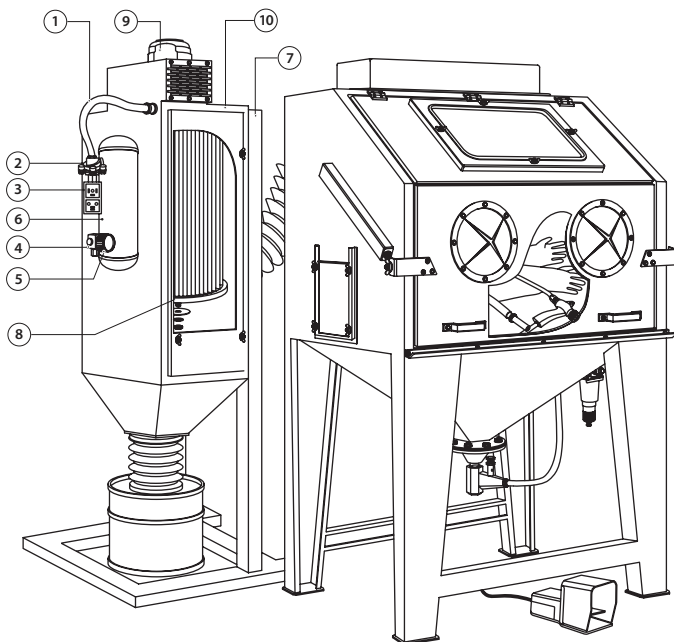
**Abb. 2.3.** Strahlkabine ECO-80S/100S/120S/140S im Standard-Lieferumfang

Abb. Nr.	Beschreibung
1	Stecker 380V
2	Luftfilter
3	Druckregler, Ferngesteuert
4	Manometer
5	Abblasdüse, Gummi
6	Gummischlauch für Abblasdüse
7	GX Handstrahlpistole
8	Strahlmittelschlauch, transparent
9	Luftschlauch
10	RGS Strahlhandschuhe
11	Handlochgummi
12	Handlochring
13	Steckdose 380V
14	Steckdose 230V
15	Türdurchführung
16	Sichtfenster (Baugruppe)
17	Pneumatischer Fußventil
18	Griff
19	Gasdruckfeder, ECO-100
20	Staubbehälter
21	Schlauch für Staubbehälter
22	Ventilationsschlauch Ø 150mm
23	Strahlmitteldosierventil
24	Lüfterrad für DC-370
25	Elektromotor 0,50 kW für DC-370
26	Luftschlauch
27	Patronenfilter 8 m <sup>2</sup> für DC-370
28	Patronenstaubfilter Verschluss



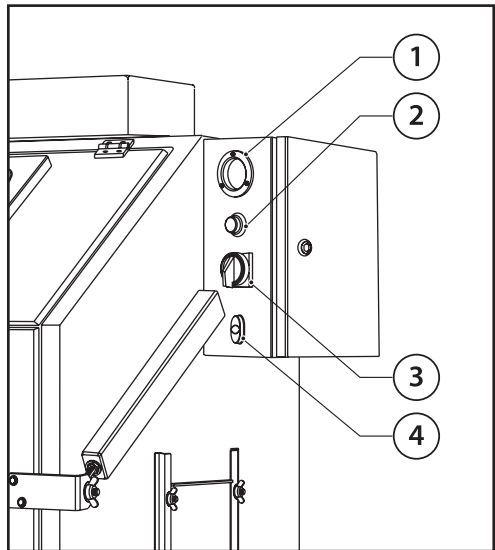
**Abb. 2.4.** Sonderausführung ECO-80SF/100SF/120SF/140SF

Abb. Nr.	Beschreibung
1	AirFlex-19, Druckluftschläuche 19x28mm
2	Membranventil Impulsabreinigung 3/4"
3	Zeitschalter für Patronenreinigung
4	Druckregler Impulsabreinigung, 1/4"
5	Manometer 1/8", Gummi
6	Druckbehälter für Impulsabreinigung
7	Lüfterrad für DC-370



**Abb. 2.5.** Sonderausführung ECO-80SL/100SL/120SL/140SL

Abb. Nr.	Beschreibung
1	AirFlex-19, Druckluftschläuche 19x28mm
2	Membranventil Impulsabreinigung 3/4"
3	Zeitschalter für Patronenreinigung
4	Druckregler Impulsabreinigung, 1/4"
5	Manometer 1/8", Gummi
6	Druckbehälter für Impulsabreinigung
7	Montagehalterung für DC-550 und DC-750
8	Patronenfilter für DC-550 / für DC-750
9	Elektromotor 0,70 kW für DC-550 / 0,90 kW für DC-750
10	Lüfterrad für DC-550 / 750



**Abb. 2.6.** Schalttafel

Abb. Nr.	Beschreibung
1	Einbau-Manometer, Arbeitsdruck
2	Druckregler Arbeitsdruck
3	Nockenschalter 0-I
4	Doppeldrucktaster EIN / AUS

## 2.1 Lieferumfang

**Tabelle. 2.1**

Artikelnr.	Modell	Lieferumfang, Beschreibung
10217101	ECO-80S	<p>Strahlkabine, Komplettsystem, bestehend aus:</p> <ul style="list-style-type: none"> <li>- Strahlkabine</li> <li>- Patronenstaubfilter DC-370 (siehe Tabelle 2.2)</li> </ul> <p>Standardausführung:</p> <ul style="list-style-type: none"> <li>- hochwertige 600 mm Strahlhandschuhe mit Gewebeinnenfutter</li> <li>- Injektorstrahlpistole GX</li> <li>- Wolframkarbid Strahldüse GXT-8</li> <li>- Strahlmitteldosierventil</li> <li>- Druckluftfilter mit 5µ Filterelement</li> <li>- Pilotgesteuerte Druckregelung</li> <li>- Türsicherheitsschalter</li> <li>- Patronenfilter mit manueller</li> <li>- Elektrischer Anschluss 0,50 kW, 380V, 3 Phasen, 50Hz</li> </ul> <p>Arbeitskammergröße (L x B x H), mm 750 x 520 x 660  Masse, 139 kg  Schallpegel, 80 .. 120 dB (2000/14EC)  Betriebslast, 350 kg</p>
10217102	ECO-100S	<p>Strahlkabine, Komplettsystem, bestehend aus:</p> <ul style="list-style-type: none"> <li>- Strahlkabine</li> <li>- Patronenstaubfilter DC-370 (siehe Tabelle 2.2)</li> </ul> <p>Standardausführung:</p> <ul style="list-style-type: none"> <li>- hochwertige 600 mm Strahlhandschuhe mit Gewebeinnenfutter</li> <li>- Injektorstrahlpistole GX</li> <li>- Wolframkarbid Strahldüse GXT-8</li> <li>- Strahlmitteldosierventil</li> <li>- Druckluftfilter mit 5µ Filterelement</li> <li>- Pilotgesteuerte Druckregelung</li> <li>- Türsicherheitsschalter</li> <li>- Patronenfilter mit manueller</li> <li>- Elektrischer Anschluss 0,50 kW, 380V, 3 Phasen, 50Hz</li> </ul> <p>Arbeitskammergröße (L x B x H), mm 950 x 720 x 760  Masse, 246 kg  Schallpegel, 80 .. 120 dB (2000/14EC)  Betriebslast, 350 kg</p>

Artikelnr.	Modell	Lieferumfang, Beschreibung
10217103	ECO-120S	<p>Strahlkabine, Komplettsystem, bestehend aus:</p> <ul style="list-style-type: none"> <li>- Strahlkabine</li> <li>- Patronenstaubfilter DC-370 (siehe Tabelle 2.2)</li> </ul> <p>Standardausführung:</p> <ul style="list-style-type: none"> <li>- hochwertige 600 mm Strahlhandschuhe mit Gewebeinnenfutter</li> <li>- Injektorstrahlpistole GX</li> <li>- Wolframkarbid Strahldüse GXT-8</li> <li>- Strahlmitteldosierventil</li> <li>- Druckluftfilter mit 5µ Filterelement</li> <li>- Pilotgesteuerte Druckregelung</li> <li>- Türsicherheitsschalter</li> <li>- Patronenfilter mit manueller</li> <li>- Elektrischer Anschluss 0,50 kW, 380V, 3 Phasen, 50Hz</li> </ul> <p>Arbeitskammergröße (L x B x H), mm 1150 x 920 x 860  Masse, 274 kg  Schallpegel, 80 .. 120 dB (2000/14EC)  Betriebslast, 350 kg</p>
10217104	ECO-140S	<p>Strahlkabine, Komplettsystem, bestehend aus:</p> <ul style="list-style-type: none"> <li>- Strahlkabine</li> <li>- Patronenstaubfilter DC-370 (siehe Tabelle 2.2)</li> </ul> <p>Standardausführung:</p> <ul style="list-style-type: none"> <li>- hochwertige 600 mm Strahlhandschuhe mit Gewebeinnenfutter</li> <li>- Injektorstrahlpistole GX</li> <li>- Wolframkarbid Strahldüse GXT-8</li> <li>- Strahlmitteldosierventil</li> <li>- Druckluftfilter mit 5µ Filterelement</li> <li>- Pilotgesteuerte Druckregelung</li> <li>- Türsicherheitsschalter</li> <li>- Patronenfilter mit manueller</li> <li>- Elektrischer Anschluss 0,50 kW, 380V, 3 Phasen, 50Hz</li> </ul> <p>Arbeitskammergröße (L x B x H), mm 1350 x 1120 x 960  Masse, 309 kg  Schallpegel, 80 .. 120 dB (2000/14EC)  Betriebslast, 350 kg</p>



Artikelnr.	Modell	Lieferumfang, Beschreibung
10217111	ECO-80PF	<p>Strahlkabine, Komplettsystem, bestehend aus:</p> <ul style="list-style-type: none"> <li>- Strahlkabine</li> <li>- Patronenstaubfilter DC-370 (siehe Tabelle 2.2)</li> </ul> <p>Standardausführung:</p> <ul style="list-style-type: none"> <li>- hochwertige 600 mm Strahlhandschuhe mit Gewebeinnenfutter</li> <li>- Injektorstrahlpistole GX</li> <li>- Wolframkarbid Strahldüse GXT-8</li> <li>- Strahlmitteldosierventil</li> <li>- Druckluftfilter mit 5µ Filterelement</li> <li>- Pilotgesteuerte Druckregelung</li> <li>- Türsicherheitsschalter</li> <li>- Patronenfilter</li> <li>- Elektrischer Anschluss 0,50 kW, 380V, 3 Phasen, 50Hz</li> </ul> <p>Arbeitskammergröße (L x B x H), mm 750 x 520 x 660  Masse, 139 kg  Schallpegel, 80 .. 120 dB (2000/14EC)  Betriebslast, 350 kg</p>
10217112	ECO-100PF	<p>Strahlkabine, Komplettsystem, bestehend aus:</p> <ul style="list-style-type: none"> <li>- Strahlkabine</li> <li>- Patronenstaubfilter DC-370 (siehe Tabelle 2.2)</li> </ul> <p>Standardausführung:</p> <ul style="list-style-type: none"> <li>- hochwertige 600 mm Strahlhandschuhe mit Gewebeinnenfutter</li> <li>- Injektorstrahlpistole GX</li> <li>- Wolframkarbid Strahldüse GXT-8</li> <li>- Strahlmitteldosierventil</li> <li>- Druckluftfilter mit 5µ Filterelement</li> <li>- Pilotgesteuerte Druckregelung</li> <li>- Türsicherheitsschalter</li> <li>- Patronenfilter</li> <li>- Elektrischer Anschluss 0,50 kW, 380V, 3 Phasen, 50Hz</li> </ul> <p>Arbeitskammergröße (L x B x H), mm 950 x 720 x 760  Masse, 246 kg  Schallpegel, 80 .. 120 dB (2000/14EC)  Betriebslast, 350 kg</p>

Artikelnr.	Modell	Lieferumfang, Beschreibung
10217113	ECO-120PF	<p>Strahlkabine, Komplettsystem, bestehend aus:</p> <ul style="list-style-type: none"> <li>- Strahlkabine</li> <li>- Patronenstaubfilter DC-370 (siehe Tabelle 2.2)</li> </ul> <p>Standardausführung:</p> <ul style="list-style-type: none"> <li>- hochwertige 600 mm Strahlhandschuhe mit Gewebeinnenfutter</li> <li>- Injektorstrahlpistole GX</li> <li>- Wolframkarbid Strahldüse GXT-8</li> <li>- Strahlmitteldosierventil</li> <li>- Druckluftfilter mit 5µ Filterelement</li> <li>- Pilotgesteuerte Druckregelung</li> <li>- Türsicherheitsschalter</li> <li>- Patronenfilter</li> <li>- Elektrischer Anschluss 0,50 kW, 380V, 3 Phasen, 50Hz</li> </ul> <p>Arbeitskammergröße (L x B x H), mm 1150 x 920 x 860  Masse, 274 kg  Schallpegel, 80 .. 120 dB (2000/14EC)  Betriebslast, 350 kg</p>
10217114	ECO-140PF	<p>SStrahlkabine, Komplettsystem, bestehend aus:</p> <ul style="list-style-type: none"> <li>- Strahlkabine</li> <li>- Patronenstaubfilter DC-370 (siehe Tabelle 2.2)</li> </ul> <p>Standardausführung:</p> <ul style="list-style-type: none"> <li>- hochwertige 600 mm Strahlhandschuhe mit Gewebeinnenfutter</li> <li>- Injektorstrahlpistole GX</li> <li>- Wolframkarbid Strahldüse GXT-8</li> <li>- Strahlmitteldosierventil</li> <li>- Druckluftfilter mit 5µ Filterelement</li> <li>- Pilotgesteuerte Druckregelung</li> <li>- Türsicherheitsschalter</li> <li>- Patronenfilter</li> <li>- Elektrischer Anschluss 0,50 kW, 380V, 3 Phasen, 50Hz</li> </ul> <p>Arbeitskammergröße (L x B x H), mm 1350 x 1120 x 960  Masse, 309 kg  Schallpegel, 80 .. 120 dB (2000/14EC)  Betriebslast, 350 kg</p>

Artikelnr.	Modell	Lieferumfang, Beschreibung
10217121	ECO-80PL	<p>Strahlkabine, Komplettsystem, bestehend aus:</p> <ul style="list-style-type: none"> <li>- Strahlkabine</li> <li>- Patronenstaubfilter DC-550 (siehe Tabelle 2.2)</li> </ul> <p>Standardausführung:</p> <ul style="list-style-type: none"> <li>- hochwertige 600 mm Strahlhandschuhe mit Gewebeinnenfutter</li> <li>- Injektorstrahlpistole GX</li> <li>- Wolframkarbid Strahldüse GXT-8</li> <li>- Strahlmitteldosierventil</li> <li>- Druckluftfilter mit 5µ Filterelement</li> <li>- Pilotgesteuerte Druckregelung</li> <li>- Türsicherheitsschalter</li> <li>- Patronenfilter</li> <li>- Elektrischer Anschluss 0,70 kW, 380V, 3 Phasen, 50Hz</li> </ul> <p>Arbeitskammergröße (L x B x H), mm 750 x 520 x 660  Masse, 139 kg  Schallpegel, 80 .. 120 dB (2000/14EC)  Betriebslast, 350 kg</p>
10217122	ECO-100PL	<p>Strahlkabine, Komplettsystem, bestehend aus:</p> <ul style="list-style-type: none"> <li>- Strahlkabine</li> <li>- Patronenstaubfilter DC-550 (siehe Tabelle 2.2)</li> </ul> <p>Standardausführung:</p> <ul style="list-style-type: none"> <li>- hochwertige 600 mm Strahlhandschuhe mit Gewebeinnenfutter</li> <li>- Injektorstrahlpistole GX</li> <li>- Wolframkarbid Strahldüse GXT-8</li> <li>- Strahlmitteldosierventil</li> <li>- Druckluftfilter mit 5µ Filterelement</li> <li>- Pilotgesteuerte Druckregelung</li> <li>- Türsicherheitsschalter</li> <li>- Patronenfilter</li> <li>- Elektrischer Anschluss 0,70 kW, 380V, 3 Phasen, 50Hz</li> </ul> <p>Arbeitskammergröße (L x B x H), mm 950 x 720 x 760  Masse, 246 kg  Schallpegel, 80 .. 120 dB (2000/14EC)  Betriebslast, 350 kg</p>

Artikelnr.	Modell	Lieferumfang, Beschreibung
10217123	ECO-120PL	<p>Strahlkabine, Komplettsystem, bestehend aus:</p> <ul style="list-style-type: none"> <li>- Strahlkabine</li> <li>- Patronenstaubfilter DC-750 (siehe Tabelle 2.2)</li> </ul> <p>Standardausführung:</p> <ul style="list-style-type: none"> <li>- hochwertige 600 mm Strahlhandschuhe mit Gewebeinnenfutter</li> <li>- Injektorstrahlpistole GX</li> <li>- Wolframkarbid Strahldüse GXT-8</li> <li>- Strahlmitteldosierventil</li> <li>- Druckluftfilter mit 5µ Filterelement</li> <li>- Pilotgesteuerte Druckregelung</li> <li>- Türsicherheitsschalter</li> <li>- Patronenfilter</li> <li>- Elektrischer Anschluss 0,90 kW, 380V, 3 Phasen, 50Hz</li> </ul> <p>Arbeitskammergröße (L x B x H), mm 1150 x 920 x 860  Masse, 274 kg  Schallpegel, 80 .. 120 dB (2000/14EC)  Betriebslast, 350 kg</p>
10217124	ECO-140PL	<p>Strahlkabine, Komplettsystem, bestehend aus:</p> <ul style="list-style-type: none"> <li>- Strahlkabine</li> <li>- Patronenstaubfilter DC-750 (siehe Tabelle 2.2)</li> </ul> <p>Standardausführung:</p> <ul style="list-style-type: none"> <li>- hochwertige 600 mm Strahlhandschuhe mit Gewebeinnenfutter</li> <li>- Injektorstrahlpistole GX</li> <li>- Wolframkarbid Strahldüse GXT-8</li> <li>- Strahlmitteldosierventil</li> <li>- Druckluftfilter mit 5µ Filterelement</li> <li>- Pilotgesteuerte Druckregelung</li> <li>- Türsicherheitsschalter</li> <li>- Patronenfilter</li> <li>- Elektrischer Anschluss 0,90 kW, 380V, 3 Phasen, 50Hz</li> </ul> <p>Arbeitskammergröße (L x B x H), mm 1350 x 1120 x 960  Masse, 309 kg  Schallpegel, 80 .. 120 dB (2000/14EC)  Betriebslast, 350 kg</p>

**Tabelle. 2.2**

	Filtermaterial	Filteroberfläche, m <sup>2</sup>	Lüfter Leistungsaufnahme, kW	Lüfter Volumenstrom, m <sup>3</sup> /h	Lüfter Gegendruck, Pa
DC-370	Polyester	2,7	0,37	800	1075
DC-550	Polyester	7,5	0,55	870	1310
DC-750	Polyester	11,0	0,75	900	1470

# 3. Allgemeine Informationen

## 3.1. Allgemeine Informationen

Die Contracor Strahlkabine bietet einen geschlossenen Strahlarbeitsbereich, der eine effiziente Strahlreinigung ermöglicht während der umliegende Arbeitsbereich sauber bleibt. Die Arbeitsleistung der Strahlkabinen hängen von der Düsendgröße, der Kompressorleistung, dem Arbeitsdruck, Art und Größe des Strahlmittels und dem Abstand von der Düse zur Oberfläche des zu reinigenden Werkstücks ab.

Die Contracor Injektor-Strahlkabine der ECO-Baureihe besteht aus zwei Modulen:

1. Stabil gebaute, geschweißte Stahlarbeitskammer
2. Staubabscheider mit Hochleistungsgebläse und manuell gereinigter Filterpatrone.

Einen automatischen impulsgereinigten Staubfilter wird als Sonderausstattung angeboten.

## 3.2. Funktionsprinzip

Wenn die Luftversorgung an und die Türen geschlossen sind, kann die Maschine durch Betätigen des Fußschalters gestartet werden. Ein vollständiges Durchtreten des Pedals leitet Druckluft durch die Pistole. Die Luftbewegung saugt Strahlmittel in die Mischkammer der Pistole. Das Strahlmittel vermischt sich mit der Luft und wird durch die Düse herausgeschleudert.

Nach dem Auftreffen auf das Werkstück fällt das Strahlmittel, zusammen mit Staub, zerbrochenem Strahlmittel und beim Strahlen anfallenden Teilchen durch den Rost in den Auffangtrichter der Kabine. Das Strahlmitteldosierventil für eine genaue Dosierung der Strahlmittelmenge befindet sich im Boden des Trichters. Dank eines universellen Flansches kann eine Impulsstrahlkabine schnell und kostengünstig in eine Druckstrahlkabine umgerüstet werden. Wird das Fußpedal losgelassen, stoppt der Strahlvorgang.

Die Filterpatrone des Staubabscheiders wird durch stoßartiges Öffnen eines Kugelhahns gereinigt. Hierbei wird Druckluft mit hoher Geschwindigkeit auf die Innenseite der Filterpatrone entspannt. Das kurzzeitige Umkehren der Luftströmungsrichtung löst die Staubschicht auf der Aussenseite der Filterpatrone. Die Staubpartikel fallen in den Sammeltrichter, und können so entfernt werden.

Zusätzlich wird eine automatische Reinigung der Filterpatrone angeboten. Ein elektronischer Timer steuert ein Ventil das Druckluft auf die Innenseite der Filterpatrone entspannt. Das weitere Funktionsprinzip der automatischen Reinigung ist mit der manuellen Filterpatronenreinigung identisch.

### 3.3 Luftdüsendurchmesser und benötigte Druckluftmenge

Ein breites Sortiment an Luftdüsendrößen und Strahldüsen ist erhältlich zur exakten Anpassung für optimale Leistung.

Die Größe des benötigten Kompressors zum Betrieb der Strahlkabine hängt von der Größe der Luftdüse und dem Betriebsdruck ab. Siehe Tabelle 3.1 Druckluft-Anforderungen.

In der Standardausführung werden die Kabinen mit der Strahlpistole GX ausgeliefert, ausgerüstet mit Ø4mm Luftdüse und Ø8mm Strahldüse.

**Tabelle 3.1** Druckluft-Anforderungen

Ø Luftdüse (mm)	Ø Strahldüse (mm)	DRUCKLUFTBEDARF (m <sup>3</sup> /min.) bei Arbeitsdruck, bar								
		2	3	4	5	6	7	8	10	12
3,2	6,0	0,245	0,326	0,406	0,487	0,568	0,649	0,730	0,891	1,050
4,0	8,0	0,436	0,579	0,723	0,865	1,010	1,150	1,300	1,585	1,870
5,0	10,0	0,681	0,905	1,130	1,350	1,580	1,800	2,030	2,480	2,930

### 3.4 Strahlmittel

Contracor Kabinen können mit den meisten gängigen Strahlmitteln verwendet werden, 180-Mesh Körnung oder gröber, die speziell zum Trockenstrahlen hergestellt werden.

Die Angabe der zu verwendenden Korngrößen und Düsendrößen beruht auf einem normalen Strahlmittelfluss. Zäher Strahlmittelfluss oder geringer Unterdruck erlauben eventuell nur die Verwendung von kleineren Durchmessern.

**Stahlstrahlmittel:** Stahlguss rund oder kantig können in den Strahlkabinen ECO-80S... ECO -140S mit Einschränkungen verwendet werden. Gummiverkleidungen sollten benutzt werden, um die Kabineninnenwände vor schnellerer Abnutzung zu schützen.

**Sand und Schlacke:** Sand sollte niemals verwendet werden aufgrund der Gesundheitsgefahr die von silikogenen Strahlmitteln ausgeht.



## ACHTUNG!

**Strahlen mit Quarzsand der Siliziumdioxid enthält kann schwere oder tödliche Atemwegserkrankungen hervorrufen**

Schlacke ist nicht empfehlenswert, da sie schnell zerschlägt.

**Korund, Siliciumcarbid, Granatsand:** Aggressive Strahlmittel wie diese können verwendet werden, allerdings sollte man bedenken, dass sie zu schnellerer Abnutzung der Kabinenteile, der Rückgewinnung, der Düsen und der Schläuche, die mit ihnen in Kontakt kommen, führen. Nutzen Sie immer eine Wolframkarbid-Düse bei Arbeiten mit aggressiven Strahlmitteln.

**Glaskugeln:** Die meisten Glaskugeln werden behandelt, um auch unter etwas feuchteren Bedingungen einen guten Strahlmittelfluss sicherzustellen. Glaskugeln, die zu hoher Feuchtigkeit ausgesetzt waren, können nach gründlicher Trocknung und dem Aufbrechen von Verklumpungen wieder verwendet werden.

### 3.5 Qualität der Druckluft

Der Flüssigkeitsabscheider am Lufteinlass vermindert das Eindringen von Wasser mit der Druckluft. Die Verwendung ist besonders wichtig in Bereichen mit hoher Luftfeuchtigkeit oder bei Verwendung von feinem Strahlmittel. Feuchtigkeit führt zum Verklumpen von Strahlmittel und behindert den freien Fluss in der Zuführung. Bei anhaltenden Feuchtigkeitsproblemen könnte ein Drucklufttrockner nötig sein.

## 4. Aufbau, Betrieb und Beenden der Arbeit

### 4.1 Installation and Set-up

#### 4.1.1 Aufstellungsort

Wählen Sie einen Aufstellungsort, an dem Druckluft, Wasser und ein Stromanschluss verfügbar sind. Achten Sie darauf, dass alle Türen und Servicebereiche frei zugänglich sind und genügend Platz vorhanden ist, um mit großen Teilen zu arbeiten.



#### 4.1.2 Druckluftversorgung

Verbinden Sie die Druckluftzuleitung mit einem Innendurchmesser von mindestens 1/2" mit dem Kabinenanschluss. Verwenden Sie für die Verbindung einen flexiblen Schlauch mit dem gleichen Innendurchmesser wie die Hauptluftleitung. Ein kleinerer Schlauch- oder Leitungsdurchmesser kann zu geringerer Strahlleistung führen.



### **ACHTUNG!**

**Stellen Sie sicher, dass alle Leitungsverbinder und Schlauchschellen fest sind, bevor Sie die Strahlkabine in Betrieb nehmen. Ein sich unter Druck lösender Schlauch kann schwere Verletzungen hervorrufen.**

#### 4.1.3 Erdung

Erden Sie die Kabine, um statische Aufladung zu vermeiden. Zur Erdung bringen Sie ein geerdetes Kabel am Erdungsanschluss an der Kabinenverkleidung an.

#### 4.1.4 Elektrischer Anschluss



### **ACHTUNG!**

**Alle elektrischen Arbeiten müssen von einem qualifizierten Elektriker entsprechend den nationalen und regionalen Vorschriften ausgeführt werden.**

Ein elektrischer Schaltplan wird mitgeliefert. Nach der Fertigstellung der Verdrahtung überprüfen Sie die Motorlaufrichtung. Schalten Sie dazu kurz ein und gleich wieder aus. Der Motor wird sich langsam drehen. Überprüfen Sie die Laufrichtung des Lüfterrades durch die Schlitze im Motorgehäuse. Der Lüfter sollte sich im Uhrzeigersinn drehen, wenn man vom Lüfter in Richtung Motor schaut.



### **ACHTUNG!**

**Schauen Sie nicht in den Auslass der Rückgewinnung während sich die Absaugung dreht. Herausgeschleuderte Objekte könnten Augen- oder Gesichtsverletzungen verursachen.**

### **4.1.5 Kabinendruck**

Der Kabinenunterdruck wird mittels einer Strömungsklappe am Schlauch zur Ventilator-/Filtereinheit eingestellt. Der Ventilator saugt die staubige Luft aus der Strahlkabine heraus, und diese wird schließlich durch den Filter gereinigt. Der Staub fällt schließlich in einen Auffangbehälter. Probieren Sie verschiedene Stellungen der Strahlklappe beim Strahlen aus. Der Kabinenunterdruck ist richtig eingestellt wenn der Staub Luft wirkungsvoll aus der Kabine herausgesaugt wird, so dass der Bediener gute Sicht hat.

### **4.1.6 Fußpedal**

Positionieren Sie das Fußpedal für leichte Erreichbarkeit auf dem Boden vor der Strahlkabine. Die Strahlkabine ist für einen Bediener vorgesehen. Stellen Sie sicher, dass Sie im Notfall schnell den Fuß vom Pedal nehmen können.

## **4.2 Strahlvorgang**

### **4.2.1 Befüllen mit Strahlmittel**

Füllen Sie bei ausgeschalteter Absaugung trockenes, sauberes Strahlmittel in den Kabinenauffangtrichter ein. Überladen sie die Kabine nicht! Die Mindestmenge an Strahlmittel, um das System zu beladen, beträgt:

ECO-80S; ECO-100S; ECO-120S; ECO-140S - 20kg

ECO-80SF; ECO-100SF; ECO-120SF; ECO-140SF - 20kg

ECO-80SL; ECO-100SL; ECO-120SL; ECO-140SL - 20kg

### **4.2.2 Entnahme des Strahlmittels**

Um altes Strahlmittel aus der Kabine zu entnehmen, schalten Sie die Absaugung ab und stellen Sie einen leeren Behälter unter das Dosierventil unter dem Kabinenauffangtrichter. Das Dosierventil ist auf einem Deckel montiert, der an einem Flansch am Auffangtrichter gesichert ist.

Lockern Sie die 1“ Schraube, die sich auf der Unterseite des Strahlmitteldosierventils befindet. So sollte jetzt das Strahlmittel aus der Öffnung fließen. Falls es nicht heraus fließt ist es verklumpt. Öffnen Sie die Befüllungstür und rühren Sie das Strahlmittel, bis es

abfließt. Alternativ, löckern Sie die Schrauben die den Deckel an den Flansch sichern, und entfernen Sie den Deckel. Das Strahlmittel fließt nun in den Behälter.

#### **4.2.3. Be - und Entladung von Werkstücken**

Werkstücke können durch die Fronttür eingelegt bzw. herausgenommen werden. Die Tür öffnet so, dass eine Be- und Entladung von oben durch einen Kran möglich ist. Die zu bearbeitenden Teile müssen frei von Öl, Wasser, Fett oder anderen verunreinigenden Stoffen sein, die Strahlmittel verklumpen oder Filter verstopfen. Wenn Sie die Tür schließen, stellen Sie sicher, dass sie fest zu ist, andernfalls wird die Türsicherung den Strahlvorgang unterbinden.

#### **4.2.4. Strahlvorgang**



### **ACHTUNG!**

**Schließen Sie immer die Kabinen-, Rückgewinnungs- und Staubabscheidertüren vor dem Strahlvorgang. Halten Sie während des Strahlens alle Türen geschlossen.**

**Tragen Sie immer Strahlhandschuhe.**

**Richten Sie die Strahldüse nicht auf das Sichtfenster.**

**Reinigen Sie das Werkstück mit der Abblasdüse bevor Sie die Türen öffnen.**

**Lassen Sie nach dem Strahlen die Türen geschlossen und die Absaugung an, bis die Luft in der Kabine frei von Staub ist.**

**Stoppen Sie den Strahlvorgang sofort, wenn Sie ein Austreten von Staub bemerken.**

Verwenden Sie immer Handschutz in der Form von Strahlhandschuhe bei der Arbeit mit Stahlwerkzeugen. Öffnen Sie die Druckluftzufuhr zur Strahlkabine. Überprüfen Sie sie bei der ersten Inbetriebnahme auf Undichtigkeiten. Drehen Sie den An/Ausschalter in die "I" Position, um die Beleuchtung und die Impulsreinigung des Filters (optional) anzuschalten. Drücken Sie den Knopf ON, um die Absaugung zu starten. Führen Sie Ihre Hände durch die in der Fronttür vorhandenen Löcher. Halten Sie die Strahlpistole gut fest und treten Sie auf das Fußpedal. Der Strahlvorgang wird sofort ausgelöst. Stellen Sie den Strahl Druck am Strahl Druckregler, der sich am Bedienfeld befindet, ein. Das Manometer am

Bedienfeld zeigt den tatsächlichen Strahl Druck an. Die effektivste Strahltechnik ist, sanfte, gleichmäßige Bewegungen durchzuführen. Der Abstand zum Werkstück beeinflusst die Größe des Strahlbilds. Normalerweise beträgt der Abstand von der Düse zur Oberfläche des Werkstücks etwa 70 bis 150mm.



## **ACHTUNG!**

**Schalten Sie die Kabine unverzüglich ab, wenn Staub aus dem Staubabscheider austritt. Überprüfen Sie den Filter auf korrekten Sitz, Abnutzung und Beschädigung. Längeres Einatmen von Staub kann zu schweren Lungenkrankheiten oder Tod führen. Kurzzeitige Aufnahme von giftigem Staub, z.B. Blei, stellt eine unmittelbare Gesundheitsgefahr dar. Giftigkeit und Gesundheitsrisiko hängen von der Art des Staubes ab, der beim Strahlen entsteht. Identifizieren Sie alle Materialien, die beim Strahlen entfernt werden und besorgen Sie sich Sicherheitsdatenblätter für die Strahlmittel.**

Während des Betriebes der Strahlkabine muss der Staubabscheider regelmäßig gereinigt werden. Dies geschieht durch ein kurzes Öffnen des Kugelventils am Staubabscheider. Hierdurch wird Druckluft mit hoher Geschwindigkeit auf die Innenfläche der Filterpatrone entspannt, und die Staubschicht an der Aussenseite der Patrone löst sich. Eine leistungsfähige Luftreinigung kann so gewährleistet werden. Ist die Strahlkabine mit einem automatischen impultgereinigten Staubabscheider ausgestattet, so wird entsprechend den Timereinstellungen automatisch einen Druckluftimpuls auf die Innenfläche der Filterpatrone gegeben. Längere Strahlarbeiten oder Einsatzbedingungen erfordern möglicherweise Anpassungen der Timereinstellungen

### **4.2.5. Beenden des Strahlvorgangs und Abschalten der Kabine**

Um den Strahlvorgang zu beenden, nehmen Sie den Fuß vom Pedal. Verwenden Sie die Reinigungsdüse, um Strahlmittel vom bearbeiteten Teil zu blasen. Warten Sie, bis die Absaugung die Kabinenluft von Staub gereinigt hat, bevor Sie die Tür öffnen und Teile entladen. Drücken Sie den Knopf OFF um die Absaugung abzuschalten.

Drehen Sie den An/Ausschalter in die "0" Position, um das Licht und die Impulsreinigung des Filters abzuschalten (falls zutreffend). Schließen Sie die Luftzufuhr zur Kabine und entleeren Sie den Luftfilter.

## **4.3. Einstellungen**

### **4.3.1 Strahldruck**

Der Strahldruckregler am Bedienfeld der Kabine ermöglicht es dem Bediener, den Strahldruck der jeweiligen Anwendung anzupassen. Ein Druck von ungefähr 5-6 bar ist für die meisten Anwendungen geeignet. Ein geringerer Druck kann bei empfindlicheren Untergründen nötig sein, und er reduziert die Zerschlagung des Strahlmittels. Ein höherer Druck kann bei schwierigeren Strahlarbeiten mit widerstandsfähigeren Untergründen erforderlich sein, aber er führt zur schnelleren Zerschlagung des Strahlmittels. In jedem Fall kann die höchste Produktivität nur erreicht werden, wenn man den Strahldruck aufmerksam überwacht.

Stellen Sie den Strahldruck durch Drehen des Knopfes am Strahldruckregler ein, der sich am Bedienfeld befindet. Ziehen Sie den Knopf heraus und drehen Sie ihn im Uhrzeigersinn, um den Druck zu erhöhen, oder gegen den Uhrzeigersinn, um den Druck zu vermindern. Nach dem Einstellen des Druckes, drücken Sie den Knopf wieder hinein, um zu ihn verriegeln.

### **4.3.2 Luftdüseneinstellung**

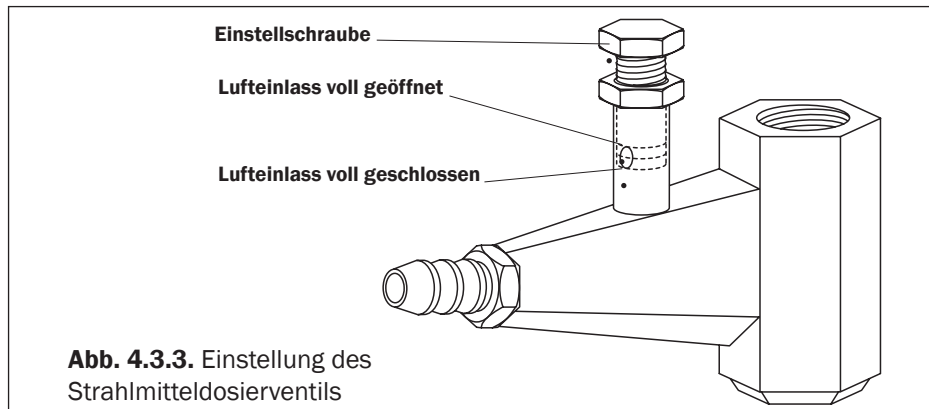
Die Luftdüse sollte 4,5 bis 5 volle Umdrehungen hinten in das Gehäuse der GX Pistole geschraubt werden. Es bleiben etwa 3,5 bis 4 Windungen sichtbar hinter der Kontermutter. Ziehen Sie die Kontermutter an, um die eingestellte Öffnung zu fixieren.

### **4.3.3 Strahlmitteldosierung**

Beobachten Sie den Strahlmittelfluss durch den durchsichtigen Strahlmittelschlauch. Das Strahlmittel sollte ungehindert und gleichmäßig durch den Schlauch fließen. Wenn die Luft aus der Düse stoßweise austritt oder das Strahlmittel nicht gleichmäßig fließt, muss das Strahlmitteldosierventil nachgestellt werden. Zur Einstellung lösen Sie die Kontermutter und drehen Sie die Einstellschraube bis die oberen Löcher im Ventilsitz verschlossen und die unteren Löcher ganz offen sind.

Falls Stöße im Strahlmittelschlauch auftreten, ist das Strahlmittel entweder feucht und verklumpt, oder es kommt nicht genug Luft in den Strahlmittelfluss. Lösen Sie während des Strahlens die Kontermutter und drehen Sie die Einstellschraube gegen den Uhrzeigersinn (von oben gesehen), bis das Strahlmittel gleichmäßig fließt. Sichern Sie

dann die Einstellung durch Anziehen der Kontermutter. Falls der Strahlmittelfluss zu leicht ist, vermindern Sie die Luft in der Mischung durch Eindrehen der Einstellschraube im Uhrzeigersinn (von oben gesehen). Dadurch werden mehr Löcher verschlossen, so dass weniger Luft in den Strahlmittelschlauch gelangt. Sichern Sie dann die Einstellung durch Anziehen der Kontermutter.



#### 4.3.4 Kabinenunterdruck

Nachdem der Einlass anfangs wie in Abschnitt 4.1.5 eingestellt wurde, muss er nur selten nachgeregelt werden. Diese Grundeinstellung erzeugt einen Unterdruck von etwa 50% bis 75% in der Arbeitskammer der Kabine. Zum Verstellen des Kabinenunterdrucks öffnen Sie die Strömungsklappe an der Filter/Ventilatoreinheit weiter, um den Unterdruck zu vermindern, oder schließen Sie ihn, um den Unterdruck zu erhöhen.

#### 4.3.5 Türsicherung

Die Türsicherung unterbricht den Strahlregelkreislauf, wenn die Tür geöffnet ist. Die Türsicherung befindet sich am rechten Türgasdruckfeder. Um den Strahlvorgang zu ermöglichen, müssen die Türschalter einschaltet sein, wenn die Tür geschlossen ist. Die Türsicherungen werden im Werk eingestellt und benötigen normalerweise keine Einstellung vor Ort, außer bei Ersatz und Wartung von Komponenten der Strahlkabine.

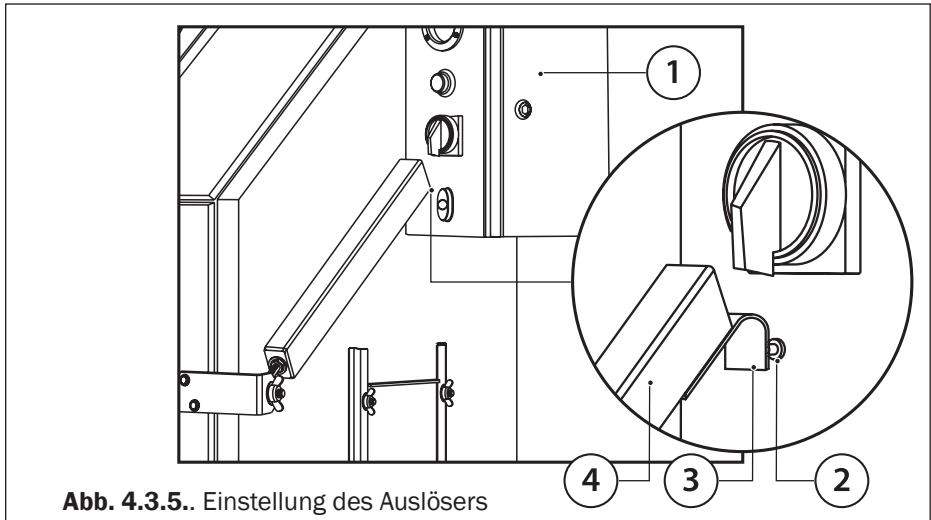


### **ACHTUNG!**

**Versuchen Sie nie, die Türsicherung zu umgehen.**

**Dies könnte zu Verletzungen durch unerwartetes Strahlen führen.**

Um den Auslöser einzustellen, biegen Sie ihn von Hand so, dass er bei vollständig geschlossener Tür den Schalter betätigt.



**Abb. 4.3.5..** Einstellung des Auslösers

Überprüfen Sie die Funktion sowohl mit offener als auch mit geschlossener Tür. Richten Sie die Düse nicht auf die Tür und öffnen Sie die Tür nur soweit, dass der Schalter nicht schließt. Die Türschalter sollten den Strahlvorgang unterbinden, wenn die Türen geöffnet werden und das Strahlen nur bei geschlossenen Türen zulassen.

**BEACHTEN SIE:** Unterdruck in der Kabine kann dazu führen, dass sich die Türen nach innen biegen. Die Tests sollten bei laufender Absaugung durchgeführt werden. Stellen Sie den Kabinenunterdruck richtig ein.

#### **4.3.6 Impulsdruck (Sonderausstattung – falls vorhanden)**

Stellen Sie der Impulsdruck am Regler, der am Einlass angebracht ist, ein. Der Standardimpulsdruck beträgt 4,5 bar.

Wenn diese Impulse die Patrone nicht ausreichend reinigen, erhöhen Sie den Druck in 0,5 bar Schritten bis höchstens 6,0 bar. Eine höhere Impulsstärke könnte die Filterpatrone beschädigen.

Wenn sich nach der Erhöhung des Drucks Staub an der Patrone weiter anlagert, verändern Sie die Impulsabstände.

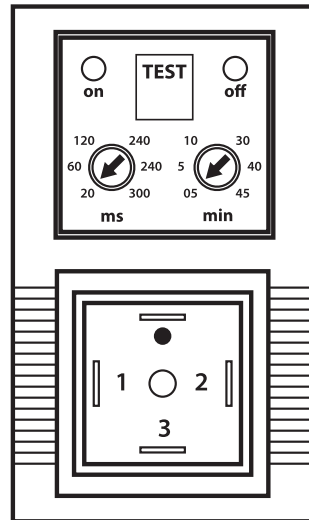
### 4.3.7 Timer (Sonderausstattung – falls vorhanden)

Stellen Sie die Impulslänge und Häufigkeit am Timer ein (Position siehe Zeichnung 7). Verwenden Sie die ON Skala zum Einstellen der Impulslänge und die OFF Skala zur Einstellung der Zeit zwischen den Impulsen. Grundeinstellung:

Impulslänge (ON Skala) - 60 ms (bei 4.5 bar Impulsstärke)

Zeitraum zwischen den Impulsen (OFF Skala) - 5 min

**Abb. 4.3.7.** Einstellung der Impulsdauer und der Impulsintervall



## 5. Wartung

### 5.1 Laufende Wartung

#### 5.1.1 GX Handstrahlpistole

Überprüfen Sie die GX Handstrahlpistole auf Abnutzung. Das Ersetzen der Luftdüsenabdeckung bevor sie ganz abgenutzt ist verlängert die Lebensdauer der Düse.

#### 5.1.2 Staubbehälter

Leeren Sie den Staubbehälter regelmäßig. Überprüfen Sie den Behälter mindestens einmal am Tag oder wenn Sie Strahlmittel nachfüllen. Passen Sie dann die Häufigkeit der Überprüfung der Nutzung der Kabine und der Verunreinigung und Bröckeligkeit des Strahlmittels an.



### **5.1.3 Luftfilter**

Die Kabine ist mit einem manuell entleerbaren Luftfilter ausgerüstet. Entleeren Sie den Filter mindestens einmal täglich oder häufiger, falls notwendig, oder wenn Sie bemerken, dass feiner Nebel aus der Düse austritt. Feuchte Luft behindert den Strahlmittelfluss. Falls weiterhin Feuchtigkeit auftritt, kann es notwendig sein, einen Lufttrockner vorzuschalten.

### **5.1.4 Strahlmittelschlauch**

Um Arbeitsunterbrechungen zu vermeiden, überprüfen Sie den Strahlmittelschlauch auf dünne Stellen, besonders entlang des Außenradius..

## **5.2 Wartung**

### **5.2.1 Handschuhe**

Für eine komfortable Bedienung ist die Kabine mit speziellen, statikableitenden Handschuhen ausgestattet. Da die Handschuhe abnutzen, ist es notwendig, sie regelmäßig zu ersetzen. Ein erstes Zeichen von Abnutzung können häufige statische Stromschläge sein.

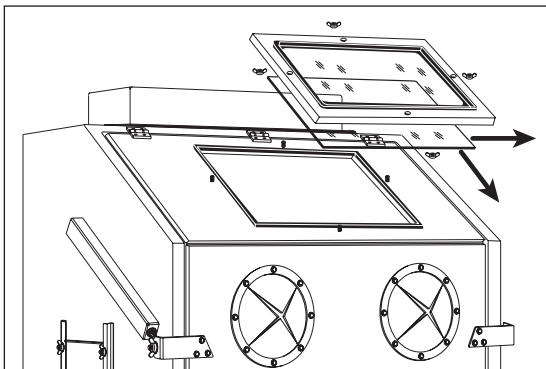
### **5.2.2 Strahldüse**

Ersetzen Sie die Düse wenn sich der Durchmesser um max. 2mm vergrößert hat, oder eher, falls der Druck merkbar nachlässt. Um die Düse auszutauschen, lösen Sie die Haltemutter am Pistolenkopf. Ziehen Sie die Düse von der Pistole ab und setzen Sie eine neue Düse ein. Schrauben Sie dann die Haltemutter wieder auf die Pistole auf. Siehe auch Bedienungsanleiter GX-Handstrahlpistole.

### **5.2.3 Ersetzen der Verschleißglasscheibe**

Die Verschleißglasscheibe wird durch die Mulde im der Tür der Strahlkabine fixiert, und durch den Rahmen des Sichtfensters an die Tür der Strahlkabine gepresst. Um die Verschleißglasscheibe zu ersetzen, lockern Sie die vier Schrauben, die den Rahmen des Sichtfensters befestigen, und entfernen Sie diesen. Nehmen Sie die Verschleißglasscheibe heraus, und setzen Sie den Ersatzteil herein. Überprüfen Sie die Dichtungen des Sichtfensters auf Beschädigungen. Sollte eine Dichtung beschädigt sein, ersetzen sie diese nach Kapitel 5.2.5.

**Abb. 5.2.3.** Ersetzen der Verschleißglasscheibe



#### 5.2.4 Ersetzen der Scheibe des Sichtfensters



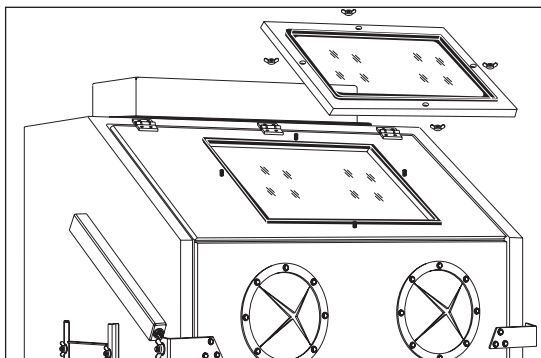
### **ACHTUNG!**

**Verwenden Sie keine normalen Glasscheiben als Ersatz für das Sichtfenster, es könnte beim Aufprallen von Teilen bersten und schwere Verletzungen verursachen.**

**Verwenden Sie nur original vom Hersteller zugelassenes, beschichtetes Sicherheitsglas.**

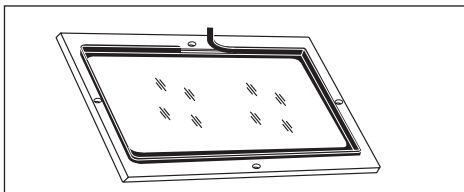
Der Rahmen des Sichtfensters wird mittels vierer Schrauben befestigt. Um die Scheibe zu ersetzen, lockern Sie diese vier Schrauben, und entfernen Sie den Fensterrahmen samt Sichtfenster aus Schutzglas. Nehmen Sie die Scheibe heraus. Überprüfen Sie die Dichtung auf Beschädigungen, und falls zutreffend, ersetzen Sie die Dichtungen nach Kapitel 5.2.5.

**Abb. 5.2.4.1.** Entfernen der Fensterrahmen



Entfernen Sie das alte Fenster durch Herausziehen des Fensterprofilgummis.

**Abb. 5.2.4.2.** Ersetzen der Scheibe des Sichtfensters

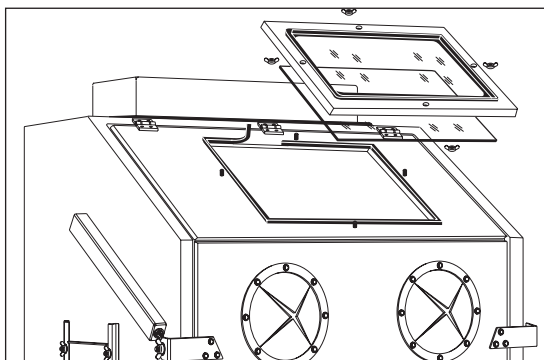


Setzen Sie das Fensterprofil in die Fensteröffnung ein, indem Sie den engen Schlitz über die Metallkante der Öffnung stülpen. Die Profildenden sollten in der Mitte einer geraden Seite aufeinander treffen. Die Enden sollten aufeinander drücken, damit sie dicht abschließen. Installieren Sie nun von vorne das Sichtfenster in der breiten Nut des Profils.

### 5.2.5 Ersetzen der Fensterdichtungen

Ersetzen Sie die Dichtungen im Fensterrahmen und am Kabinenfenster beim ersten Anzeichen, dass Stoffe am Fenster austreten, oder wenn die Dichtungen beschädigt zu sein scheinen. Überprüfen Sie die Dichtungen, wenn Sie die Scheibe des Sichtfensters oder die Verschleißscheibe wechseln. Nehmen Sie das Fenster und den Fensterrahmen wie in Abschnitt 5.2.4 ab. Entfernen Sie das alte Dichtungsmaterial komplett und reinigen Sie die Oberflächen an der Kabine und am Fensterrahmen.

**Abb. 5.2.5.** Ersetzen der Fensterdichtungen



Ziehen Sie etwas von der Schutzfolie vom 15 mm-Dichtstreifen ab und kleben Sie das Ende der Dichtung in der Mitte der Fensteroberkante an, wie in Abbildung 11 dargestellt. Ziehen Sie dann schrittweise die Schutzfolie weiter ab und drücken Sie die Dichtung für gute Klebewirkung fest an. Arbeiten Sie sich am Radius der Ecken entlang und schneiden Sie die Dichtung so ab, dass die Enden mit etwas Druck aufeinander stoßen und dicht abschließen.

## 5.2.6 Filterpatronenwechsel



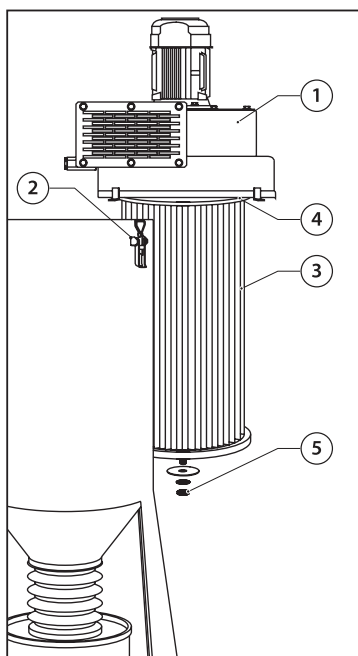
### **ACHTUNG!**

**Tragen Sie bei Wartungsarbeiten an staubbelasteten Bereichen der Kabine oder des Staubabscheiders und beim Leeren des Staubbehälters immer geeigneten und zugelassenen Atemschutz und Augenschutz, andernfalls kann es zu schweren Augenreizungen und schweren bis tödlichen Lungenerkrankungen kommen.**

**Die Giftigkeit und das Gesundheitsrisiko hängen vom Strahlmittel und dem beim Strahlen entstehenden Staub ab.**

**Der Atemschutz muss für den entstehenden Staub zugelassen sein.**

**Identifizieren Sie alle beim Strahlen freiwerdenden Materialien und besorgen Sie sich Sicherheitsdatenblätter für das Strahlmittel.**



**Abb. 5.2.6.** Filterpatronenwechsel

Schließen Sie die Luftversorgung zur Kabine und lassen Sie die Luft am Eingang des Kabine und lassen Sie die Luft am Eingang des Impulsreinigers ab. Lösen Sie die drei Haken- und Ösen-Verschlüsse, und heben Sie den Deckel des Staubabscheiders samt Ventilatoreinheit. Entfernen Sie die Haltemutter, Unterlegscheibe und Dichtung der Filterpatrone. Um die Filterpatrone zu entnehmen, heben Sie sie senkrecht aus dem Gehäuse. Reinigen Sie alle Teile, die wieder verwendet werden, besonders im Dichtungsbereich. Kratzen Sie eventuelle Reste von Dichtungsmaterial im Dichtungsbereich an der Ventilatoreinheit ab. Installieren Sie die neue Filterpatrone und Dichtung. Ziehen Sie die Haltemutter so fest an, bis die Patrone sich nicht mehr von Hand bewegen lässt. Ziehen Sie die Mutter dann noch eine ganze Umdrehung weiter an. Überprüfen Sie die Dichtung zwischen Ventilator- und Filtergehäuse auf ihren Zustand und ersetzen Sie sie, falls keine

vollständige Abdichtung mehr gewährleistet wird. Setzen Sie den Deckel samt Ventilator auf das Filtergehäuse herab, und schließen Sie die drei Haken- und Ösen-Verschlüsse. Nehmen Sie die Patrone in Betrieb wie in Abschnitt 5.2.7.

## 5.2.7 Inbetriebnahme einer neuen Filterpatrone

Neue Filterpatronen müssen vorgealtert werden. Dazu lässt man eine Staubschicht an dem Filter entstehen, bevor man die Filterpatrone mittels Drucklustimpulse reinigt (ggf. die Impulsreinigung einschaltet). Verwenden Sie die Strahlkabine wie im regulären Einsatz für ungefähr zwei Stunden, oder bis die Sicht in der Kabine deutlich zurückgeht. Erst dann sollte das Kugelventil zur Druckluftreinigung der Filterpatrone zum ersten Mal stoßartig mehrmals auf und zu gedreht werden. Ist eine automatische Impulsreinigung eingebaut, so drehen Sie den Impulsdruckregler aus (auf 0 bar). Betreiben Sie dann die Kabine ohne Impulsreinigung etwa zwei Stunden lang oder bis die Sicht zurückgeht, je nachdem, was zuerst eintritt. Stellen Sie dann den Impulsdruckregler auf 4,5 bar um die Impulsreinigung zu starten.

# 6. Störungsbeseitigung



## ACHTUNG!

**Um schwere Verletzungen zu vermeiden, beachten Sie folgende Regeln bei der Störungsbeseitigung:**

- . **Drehen Sie die Luftzufuhr ab und lösen Sie die Schläuche.**
- . **Falls zur Überprüfung Luft benötigt wird, holen Sie unbedingt die Hilfe einer zweiten Person hinzu, um:**
  - **die Düse festzuhalten.**
  - **das Fußpedal zu bedienen.**
- . **Umgehen Sie nie das Fußpedal und verkeilen Sie es nie in Arbeitsposition.**
- . **Umgehen Sie nie das Türsicherungssystem.**

## 6.1. Schlechte Sicht

**6.1.1** Schlechte Sicht könnte durch eine verschmutzte Filterpatrone verursacht werden. Leeren Sie den Staubbehälter regelmäßig. Überprüfen Sie die Filterpatrone und ersetzen Sie sie falls notwendig. Reinigen Sie die Filterpatrone regelmäßig (siehe Kapitel 4.2.4.).

**6.1.2** Der Ventilator dreht sich rückwärts. Der Motor sollte sich in die durch den Pfeil am Gehäuse angegebene Richtung drehen. Falls er sich nicht in die richtige Richtung dreht, schalten Sie den Strom ab und nehmen Sie die Anschlussleitung vom Netz. Tauschen Sie dann die Anschlüsse wie auf der Motorplatte/plakette angegeben.

**6.1.3** Die Verwendung von weichem Strahlmittel, das schnell zerschlägt, oder zu feines oder verbrauchtes Strahlmittel kann zu schlechter Sicht führen.

**6.1.4** Die Strömungsklappe am Auslass ist zu weit geschlossen und behindert den Luftstrom. Stellen Sie Kabinendruck ein wie in Abschnitt 4.3.4 erläutert.

## **6.2 Außergewöhnlich hoher Strahlmittelverbrauch**

**6.2.1** Die Auslassklappe ist zu weit geöffnet. Stellen Sie den Unterdruck wie in Abschnitt 4.3.4 beschrieben ein.

**6.2.2** Es wird zu weiches Strahlmittel verwendet, das schnell zerschlägt, oder das Strahlmittel ist zu fein oder schon abgenutzt.

**6.2.3** Der Strahl Druck ist zu hoch für das verwendete Strahlmittel, so dass es schneller zerschlägt.

## **6.3 Verminderte Strahlarbeitsleistung**

**6.3.1** Zu wenig Strahlmittel reduziert den Strahlmittelfluss. Überprüfen Sie die Menge und füllen Sie gegebenenfalls Strahlmittel nach.

**6.3.2** Falsche Einstellung des Dosierventils. Stellen Sie es wie in Abschnitt 4.3.3 angegeben ein.

**6.3.3** Verminderter Luftdruck. Dies könnte durch einen nicht richtig funktionierenden Regler, ein verschmutztes Filterelement im Luftfilter, ein teilweise geschlossenes Luftventil, eine undichte Zuleitung oder gleichzeitige Verwendung von anderen Luftdruckwerkzeugen hervorgerufen werden.

**6.3.4** Verstopfte Strahlmittelzufuhr oder Pistole. Ein Verstopfen kann auftreten als Resultat von fehlendem Grobfiltersieb in der Rückgewinnung oder falscher Einstellung des Dosierventils, so dass der Strahlmittelfluss zu zäh ist. Überprüfen Sie die Einstellung wie in Abschnitt 4.3.3.

**6.3.5** Abnutzung bei Teilen der Pistole wie Düsenspitze oder Luftpistole. Überprüfen Sie die Pistole und ersetzen Sie alle abgenutzten Teile.

**6.3.6** Abgenutzter Strahlmittelschlauch. Überprüfen Sie den Schlauch auf Lecks oder weiche Stellen und ersetzen Sie ihn, wenn er abgenutzt oder beschädigt ist.

**6.3.7** Luftpistole in der Pistole verstellt. Überprüfen Sie die Einstellung wie in Abschnitt 4.3.2, und in der Bedienungsanleitung der GX-Handstrahlpistole.

**6.3.8** Feuchtes Strahlmittel. Häufiges Verklumpen oder Verstopfen im Bereich des Regelventils kann durch Feuchtigkeit verursacht werden. Siehe Abschnitt 4.3.3.

## **6.4 Verstopfte Düse**

**6.4.1** Strahlmittelgemisch zu zäh. Verändern Sie das Gemisch wie in Abschnitt 4.3.3 beschrieben.

## **6.5. Klumpiges Strahlmittel**

**6.5.1** Häufiges Verklumpen oder Verstopfen im Strahlmitteldosierventil kann durch feuchtes Strahlmittel verursacht werden. Das Strahlmittel wird feucht durch leicht ölige Werkstücke, durch Feuchtigkeit in der Druckluftleitung oder durch Absorption.

**6.5.2** Um die Verunreinigung des Strahlmittels durch das Werkstück zu vermeiden, sollten alle Teile, die in die Kabine gebracht werden, sauber und trocken sein. Falls Teile ölig oder fettig sind, entfetten und trocknen Sie sie vor dem Strahlen.

**6.5.3** Feuchte Druckluft könnte durch einen fehlerhaften Kompressor entstehen, der überhitzt oder Öl oder Feuchtigkeit in die Leitung pumpt, durch eine zu lange Zuleitung, in deren Inneren Feuchtigkeit kondensieren kann, oder durch hohe Luftfeuchtigkeit. Entleeren Sie Filter und Auffangbehälter regelmäßig. Falls das Problem weiter besteht, kann es notwendig sein, das Strahlmittel öfter zu wechseln oder einen gekühlten Lufttrockner zu installieren.

**6.5.4** Absorption: Einige Strahlmittel absorbieren Feuchtigkeit aus der Luft, insbesondere feinkörnige Strahlmittel bei hoher Luftfeuchtigkeit. Fülle Sie das Strahlmittel aus der Kabine in einen luftdichten Behälter um, wenn die Strahlkabine nicht verwendet wird.

## **6.6 Weder Strahlmittel noch Luft tritt aus der Düse aus, wenn der Fußschalter betätigt wird**

**6.6.1** Die Türschalter schalten nicht ein. Überprüfen Sie die Einstellung wie in Abschnitt 4.3.5.

**6.6.2** Blockierte oder undichte Leitungen. Überprüfen Sie alle Verbinder und Gummischläuche auf Verstopfung oder Lecks.

**6.6.3** Das 3-Wegeventil des Fußschalters ist defekt oder löst nicht aus. Überprüfen Sie den Anschluss des Pedals und die Zu- und Ableitung auf Druck.

**6.6.4** Stellen Sie sicher, dass die Leitungen am Fußschalter und am Strahlregler nicht vertauscht sind. Siehe Schema in Abbildung 20.

**6.6.5** Stellen Sie sicher, dass der Luftdruck am Druckregler nicht zu niedrig eingestellt ist. Der Mindestdruck beträgt 3 bar.

**6.6.6** Stellen Sie sicher, dass der Kompressor an ist und die Strahlkabine mit Druckluft versorgt wird.

**6.6.7** Die Düse ist verstopft. Siehe Abschnitt 6.4 oder 4.3.2.

## **6.7 Der Strahlvorgang hört nicht auf bei Loslassen des Fußpedals**

**6.7.1** Stellen Sie sicher, dass beim Loslassen Luft aus dem 3-Wegeventil des Fußschalters austritt. Falls das nicht der Fall ist, überprüfen Sie, ob die Leitungen verstopft sind oder der Schalter defekt.

## **6.8 Verstopfter Strahlmittelschlauch**

**6.8.1** Blockierung durch Strahlmittel. Entsteht normalerweise, wenn das Gemisch zu schwer eingestellt ist. Stellen Sie das Luft/Strahlmittelverhältnis ein wie in Abschnitt 4.3.3 angegeben.

**6.8.2** Nasses oder feuchtes Strahlmittel. Siehe Abschnitt 6.5.

## **6.9 Strahlmittelstoß**

**6.9.1** Schwerer Strahlmittelfluss. Justieren Sie wie in Abschnitt 4.3.3.

## **6.10 Schlechte Saugwirkung im Strahlmittelschlauch**

**6.10.1** Nicht ausreichende Luftversorgung. Überprüfen Sie Tabelle 3.1.

**6.10.2** Der Luftstrom muss angepasst werden. Überprüfen Sie die Einstellung wie in Abschnitt 4.3.2.

**6.10.3** Düse abgenutzt. Ersetzen Sie sie bei Abnutzung von 2mm oder mehr.

**6.10.4** Düse oder Strahlmittelschlauch sind verstopft. Siehe Abschnitt 6.8.

**6.10.5** Falsches Größenverhältnis von Luftpöuse und Strahlpöuse. Siehe Tabelle 3.1.

**6.10.6** Die Hülle der Luftpöuse ragt über die Spitze der Luftpöuse hinaus. Schneiden Sie die Hülle auf die gleiche Länge zurück.

## **6.11 Luftrückstoß im Strahlmittelschlauch**

**6.11.1** Verstopfte Düse. Nehmen Sie die Düse ab und überprüfen sie.

**6.11.2** Der Luftstrom könnte zu stark für die Düse sein. Siehe Tabelle 3.1.



## **6.12 Statische Stromschläge**

**6.12.1** Die Kabine und/oder der Bediener sind nicht geerdet. Beim Strahlvorgang entsteht statische Elektrizität. Die Strahlkabine muss geerdet sein, um eine statische Aufladung zu vermeiden. Siehe Abschnitt 4.1.3.

Falls weiterhin Schläge auftreten, könnte es sein, dass sich der Bediener statisch auflädt. Bringen Sie ein kleines Erdungskabel (z.B. mit Armband) zwischen Bediener und Kabine an.

**6.12.2** Vermeiden Sie, Werkstücke vom Gitter hochzunehmen. Statische Elektrizität baut sich im Werkstück auf, wenn sie nicht durch die Metallkabine abgeleitet wird.

## **6.13 Staub tritt aus dem Staubabscheider aus**

**6.13.1** Beschädigte oder lockere Filterpatrone. Überprüfen Sie die Filterpatrone.

**6.13.2** Beschädigte oder verschlissene Dichtung am Staubabscheiderdeckel. Überprüfen Sie die Dichtung und im Fall einer Beschädigung ersetzen Sie diese.

# 7. Ersatzteile

## 7.1 GX Pistole und Anschlüsse

**Abb. 7.1.** Handstrahlpistole GX,  
Montagezeichnung

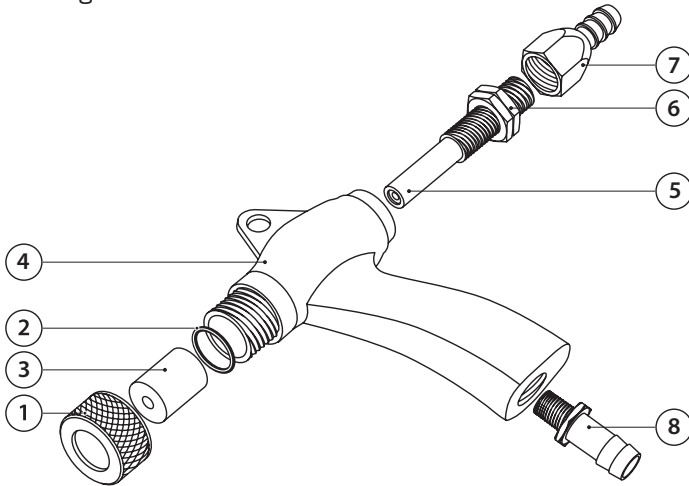


Abb. Nr.	Artikelnr.	Beschreibung	Amount
	10115300	Handstrahlpistole, ohne Düse	
1	10115313	Überwurfmutter	1
2	10115312	Gummi O-Ring	1
3	10115508	Strahldüse Wolframkarbid, Ø 8 mm (Standard)	1
4	10115304	Pistolengehäuse	1
5	10115307	Luftdüse (Injektor) Ø 4,0 mm (Standard)	1
6	10115309	Feststellmutter	1
7	10115310	Schlauchfitting mit Überwurfmutter, Luftschlauch	1
8	10115311	Schlauchfitting, Strahlmittelschlauch	1

## 7.2 Dosierventil

Abb. 7.2. Strahlmitteldosierventil

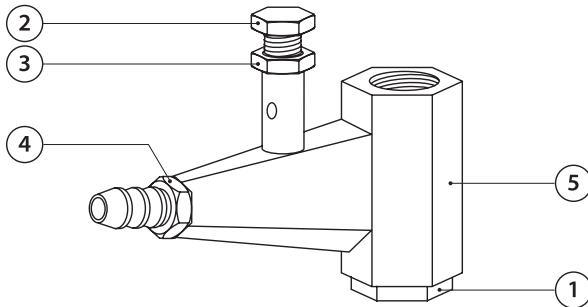
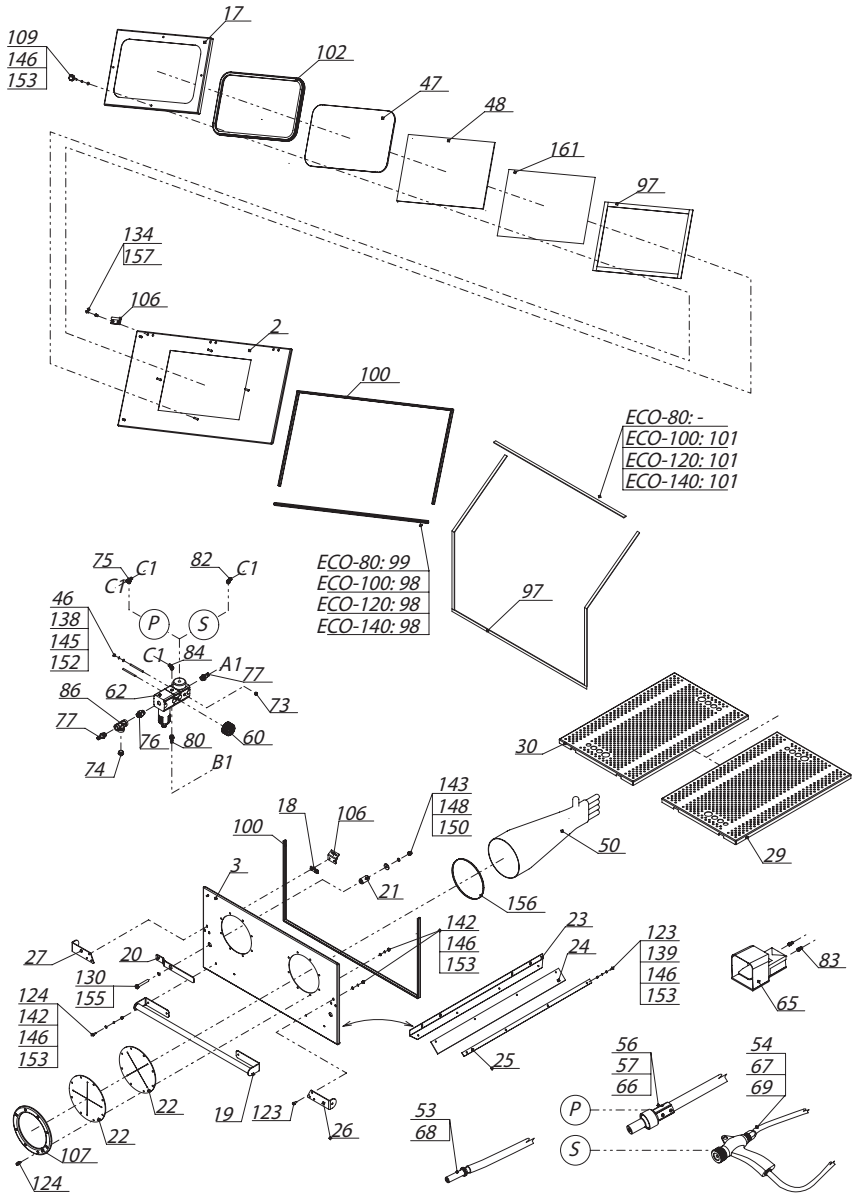


Abb. Nr.	Artikelnr.	Description	Amount
	10115920	Strahlmitteldosierventil	1
1	10115921	Ablassschraube	1
2	10115922	Einstellschraube	1
3	10115923	Feststellmutter	1
4	10115924	Schlauchfitting, Strahlmittelschlauch	1
5	10115925	Ventilgehäuse	1

# 7.3 Kabine



**Abb. 7.3.1.** Übersicht Strahlkabine  
ECO-80S/100S/120S/140S

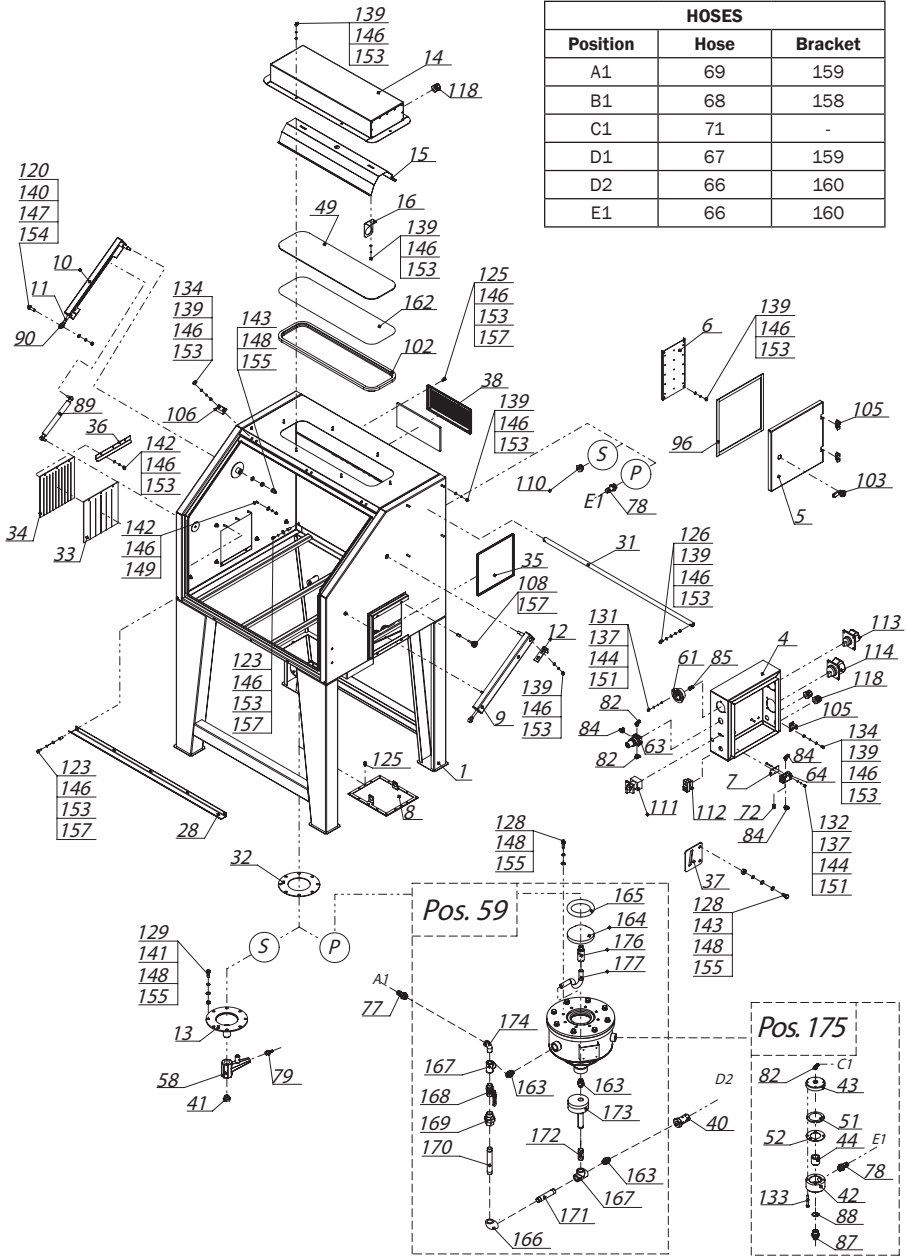


Abb. Nr.	Artikelnr.	Beschreibung	ECO 80S	ECO 100S	ECO 120S	ECO 140S
1	88000003	Gehäuse	1			
	88000004	Gehäuse		1		
	88000005	Gehäuse			1	
	88000006	Gehäuse				1
2	81100042	Obertür für Strahlkabine	1			
	81100044	Obertür für Strahlkabine		1		
	81100046	Obertür für Strahlkabine			1	
	89500001	Obertür für Strahlkabine				1
3	81100043	Untertür für Strahlkabine	1			
	81100045	Untertür für Strahlkabine		1		
	81100047	Untertür für Strahlkabine			1	
	89500002	Untertür für Strahlkabine				1
4	83400018	Schrank	1	1	1	1
5	83100040	Tür für Schrank	1	1	1	1
6	86900009	Platte	1	1	1	1
7	89300001	Platte	1	1	1	1
8	87100011	Grid	1	1	1	1
9	88300004	Teilbreite rechts		1		
	88300007	Teilbreite rechts			1	
	88300010	Teilbreite rechts				1
10	88300005	Teilbreite links		1		
	88300008	Teilbreite links			1	
	88300011	Teilbreite links				1
11	89200001	Stange	2	2	2	2
12	82100004	Anschlag	1	1	1	1
13	88700002	Konus	1	1	1	1
14	83400019	Lichtquelle	1	1	1	1
15	82600003	Reflektor	1	1	1	1
16	80600030	Winkel	2	2	2	2
17	83900012	Frame	1	1	1	1
18	85800005	Platte	2	4	6	8
19	87500005	Handhabe	1			
	87500004	Handhabe		1	1	1
20	87500003	Handhabe	2	2	2	2
21	86000003	Muffe	2	2	2	2
22	84000004	Gummivorhang	4	4	4	4

Abb. Nr.	Artikelnr.	Beschreibung	ECO 80S	ECO 100S	ECO 120S	ECO 140S
23	82400041	Lasche	1			
	82400025	Lasche		1		
	82400026	Lasche			1	
	82400027	Lasche				1
24	82400042	Gummivorhang	1			
	82400043	Gummivorhang		1		
	82400044	Gummivorhang			1	
	82400040	Gummivorhang				1
25	81050002	Lasche	1			
	82400038	Lasche		1		
	82400045	Lasche			1	
	82400039	Lasche				1
26	80600018	Winkel	1			
	80600021	Winkel		1		
	80600023	Winkel			1	1
27	80600019	Winkel	1			
	80600020	Winkel		1		
	80600024	Winkel			1	1
28	89100001	Nut	1			
	89100002	Nut		1		
	89100003	Nut			1	
	89100004	Nut				1
29	88800005	Lochblech	1			
	88800007	Lochblech		1		
	88800009	Lochblech			1	
	88800011	Lochblech				1
30	88800006	Lochblech	1			
	88800008	Lochblech		1		
	88800010	Lochblech			1	
	88800012	Lochblech				1
31	88300003	Stande	1			
	88300006	Stande		1		
	88300009	Stande			1	
	88300012	Stande				1
32	88500007	Gummidichtung	1	1	1	1
33	84000005	Gummivorhang	2	2	2	2

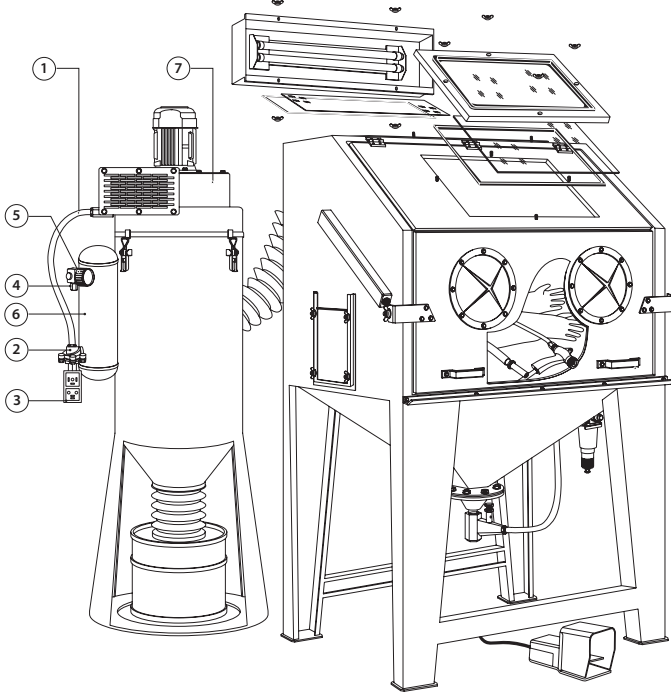
Abb. Nr.	Artikelnr.	Beschreibung	ECO 80S	ECO 100S	ECO 120S	ECO 140S
34	84000006	Gummivorhang	2	2	2	2
35	88400002	Schieber	2	2	2	2
36	82600004	Reflektor platte	2	2	2	2
37	81400014	Platte	2	2	2	2
38	89400002	Gridtasche	1	1	1	1
39	22020001	Stirnlochschlüssel				
40	85800003	Verschraubung				
41	52030002	Stopfen	1	1	1	1
42	83400025	Entleerungsventil, baugerippe				
43	81100054	Entleerungsventil, haube				
44	10100001	Entleerungsventil, buchse				
46	85900002	Stift	2	2	2	2
47	22030001	Sicherheitsglass	1	1	1	1
48	22030002	Prallscheibe	1	1	1	1
49	22030003	Lichtglas	1	1	1	1
50	10115606	Strahlhandschuhe	1	1	1	1
51	29000028	Membran				
53	10115901	Abblasdüse	1	1	1	1
54	10115300	Handstrahlpistole	1	1	1	1
55	10115508	Strahldüse	1	1	1	1
56	10112551	Strahldüse				
57	10112209	Düsenhalter für Strahlschlauch				
58	10115920	Strahlmitteldosierventil	1	1	1	1
59	22040001	Strahlgerät, komplett				
60	51202008	Manometer		1	1	1
61	51202010	Manometer	1	1	1	1
62	51203002	Pneumatische Steuereinheit	1	1	1	1
63	51201001	Druckregler Arbeitsdruck	1	1	1	1
64	51203007	Türsicherungsventil	1	1	1	1
65	51203003	Pneumatischer Fußventil	1	1	1	1
66	10112109	Strahlschlauch	0	0	0	0
67	41102004	Pneumatikschlauch	1,8	2	2,4	3
68	10130900	Pneumatikschlauch	1,9	2	2,3	2,8
69	41200001	Pneumatikschlauch	4	5,5	6,5	7,5
70	41101003	Pneumatikschlauch	2	2	2	2
71	41101001	Pneumatikschlauch	7,9	8	7,9	9,5



Abb. Nr.	Artikelnr.	Beschreibung	ECO 80S	ECO 100S	ECO 120S	ECO 140S
72	51204001	Geräuschkämpfer	1	1	1	1
73	51205003	Stopfen	1	1	1	1
74	51205006	Stopfen	1	1	1	1
75	51100015	Verschraubung				
76	51400006	Verschraubung	1	1	1	1
77	51300002	Verschraubung	2	2	2	2
78	85800006	Verschraubung				
79	51300007	Verschraubung	1	1	1	1
80	51300008	Verschraubung	1	1	1	1
81	51300009	Verschraubung	1	1	1	1
82	51100004	Verschraubung	3	3	3	3
83	51100003	Verschraubung	2	2	2	2
84	51100004	Verschraubung	4	4	4	4
85	51100006	Verschraubung	1	1	1	1
86	52070001	Verschraubung	1	1	1	1
87	51400010	Verschraubung				
88	67000008	Dichtring Kupfer				
89	51500002	Gasdruckfeder	2			
	51500003	Gasdruckfeder		2		
	51500005	Gasdruckfeder			2	
	51500010	Gasdruckfeder				2
90	51500013	Endstück	2	2	2	2
91	90855146	Gummidurchführung	2	2	2	2
92	90855156	Gummidurchführung	4	4	4	4
93	90855166	Gummidurchführung				
94	90855155	Gummistopfen				
95	90855165	Gummistopfen	1	1	1	1
96	90407004	Dichtung	3,07	3,07	3,07	3,07
97	90407005	Dichtung	2,9	2,7	3,2	3,4
98	90401004	Dichtung	0,8	0,9	1,1	1,3
99	90401001	Dichtung	2,9	2,1	2,1	2,1
100	90401002	Dichtung	2,9	3,5	4,2	4,5
101	90401005	Dichtung	0,8	0,9	1,1	1,3
102	90406001	Dichtung	3,2	3,2	3,2	3,2
103	90201001	Schloss	1	1	1	1
104	90203001	Schlüssel	1	1	1	1

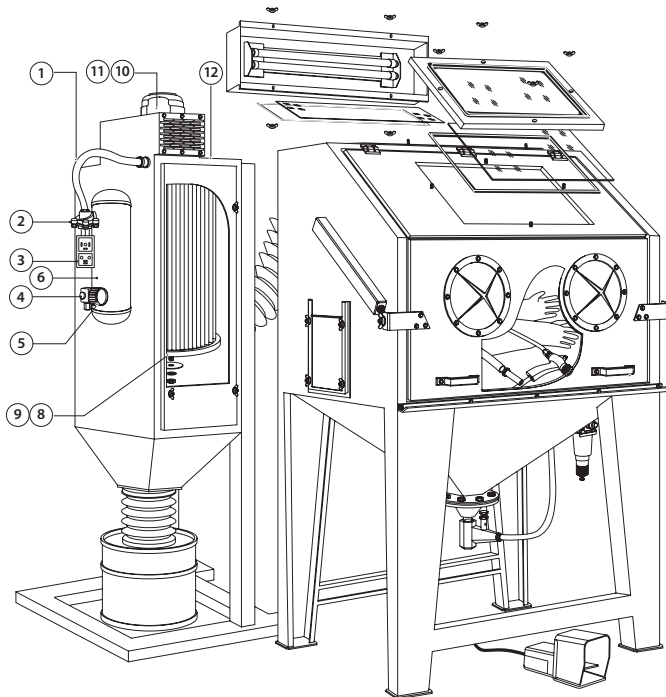
Abb. Nr.	Artikelnr.	Beschreibung	ECO 80S	ECO 100S	ECO 120S	ECO 140S
105	90202003	Scharnier	2	2	2	2
106	90202006	Scharnier	4	5	6	8
107	22140005	Flansch	2	2	2	2
108	90204004	Griff	8	8	8	8
109	90204006	Griff	4	4	4	4
110	52030001	Stopfen	1	1	1	1
111	32060001	Nockenschalter 0-I	1	1	1	1
112	33070001	Doppeldrucktaster EIN / AUS	1	1	1	1
113	33280003	Leitungsrosette	1	1	1	1
114	33280005	Leitungsrosette	1	1	1	1
115	33270005	Netzstecker	1	1	1	1
116	33140003	Lampe	2	2	2	2
117	33140004	Fassung	2	2	2	2
118	33030002	Anschluß	4	4	4	4
119	33030012	Anschluß	1			
120	61110830	Sechskantschraube	2	2	2	2
121	61110610	Sechskantschraube	8	8	8	8
122	61110612	Sechskantschraube	8	8	8	8
123	61110616	Sechskantschraube	13	13	13	13
124	61110620	Sechskantschraube	24	24	30	30
125	61110630	Sechskantschraube	8	8	8	8
126	61110640	Sechskantschraube	2	2	2	2
127	61110855	Sechskantschraube	1	1	1	1
128	61111025	Sechskantschraube	4	4	4	4
129	61111030	Sechskantschraube	8	8	8	8
130	61111070	Sechskantschraube	2	2	2	2
131	62310420	Zylinderkopfschraube	3	3	3	3
132	62510410	Zylinderkopfschraube	3	3	3	3
133	62110860	Zylinderkopfschraube				
134	62310616	Zylinderkopfschraube	24	24	24	24
135	62510420	Zylinderkopfschraube	8	8	8	8
136	62804213	Zylinderkopfschraube				
137	63110004	Sechskantmutter	6	6	6	6
138	63110005	Sechskantmutter	4	4	4	4
139	63110006	Sechskantmutter	46	46	60	60
140	63110008	Sechskantmutter	7	9	8	8

<b>Abb. Nr.</b>	<b>Artikelnr.</b>	<b>Beschreibung</b>	<b>ECO 80S</b>	<b>ECO 100S</b>	<b>ECO 120S</b>	<b>ECO 140S</b>
141	63110010	Sechskantmutter	8	10	10	10
142	63300006	Sechskantmutter	50	50	50	50
143	63300010	Sechskantmutter	8	8	8	8
144	64310004	Federscheibe	6	6	6	6
145	64310005	Federscheibe	4	4	2	2
146	64310006	Federscheibe	112	112	126	126
147	64310008	Federscheibe	4	6	6	6
148	64310010	Federscheibe	10	10	10	10
149	64210006	U-Scheibe	26	26	26	26
150	64210010	U-Scheibe	4	4	4	4
151	64110004	U-Scheibe	6	6	6	6
152	64110005	U-Scheibe	4	4	4	4
153	64110006	U-Scheibe	106	106	106	106
154	64110008	U-Scheibe	2	2	2	2
155	64110010	U-Scheibe	24	20	20	20
156	90100001	Xschlauchschele	4	4	4	4
157	66010002	Niet	43	43	43	43
158	90100005	Xschlauchschele	2	2	2	2
159	90100006	Xschlauchschele	6	6	6	6
160	90100007	Xschlauchschele				
161	87100014	Grid	1	1	1	1
162	87100015	Grid	1	1	1	1
163	10110521	Nippel	3	3	3	3
164	10115315	Kesseldruckventil	1	1	1	1
165	10115316	Dichtungsring	1	1	1	1
166	10110548	Bogen	1	1	1	1
167	10110524	T-Stück	2	2	2	2
168	10110525	Kugelventil	1	1	1	1
169	10110522	Verschraubung gerade	1	1	1	1
170	10110546	Rohr	1	1	1	1
171	10110529	Rohr	1	1	1	1
172	10110531	Rohr	1	1	1	1
173	10110520	Strahlmittelventil	1	1	1	1
174	10110550	Bogen	1	1	1	1
175	51203005	Entleerungsventil	1	1	1	1
176	10110532	Führungsrohr mit Ventil Sitz				
177	82000135	Führungsrohr mit Ventil Sitz				



**Abb. 7.3.2.** Sonderausführung ECO-80SF/100SF/120SF/140SF

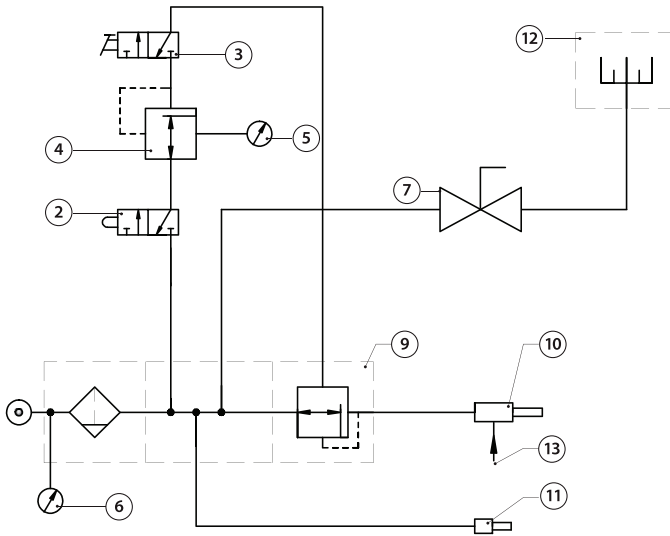
Abb. Nr.	Artikelnr.	Beschreibung	Betrag
	10117525	Impulsabreinigung, Upgrade-Paket für DC-370	
1	10151002	AirFlex-19, Druckluftschläuche 19x28mm, 1m	0,5 m
2	51203004	Membranventil Impulsabreinigung 3/4"	1
3	32040001	Zeitschalter für Patronenreinigung	1
4	51201001	Druckregler, 1/4"	1
5	10130404	Manometer 1/8" (Gummi-Schutzkappe)	1
6	88600001	Druckbehälter für Impulsabreinigung	1
7	22010301	Lüfferrad DC-370	1



**Abb. 7.3.3.** Sonderausführung ECO-80SL/100SL/120SL/140SL

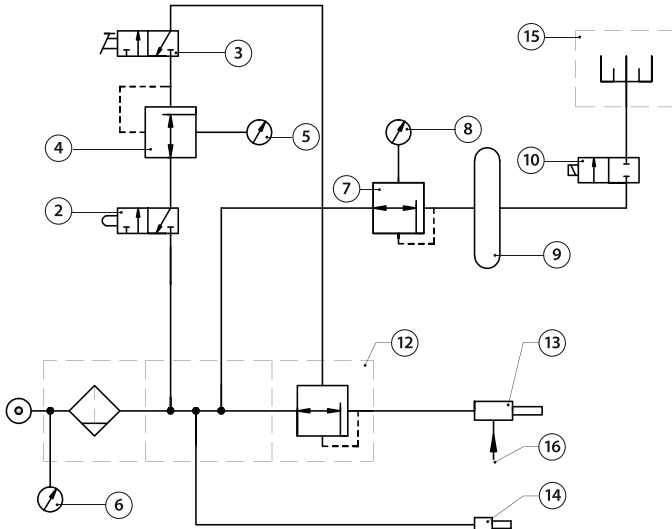
Abb. Nr.	Artikelnr.	Beschreibung	Betrag
	10117513	Patronenstaubfilter DC-550, einschl. 0,55 kW Lüfter, Patronenfilter, Impulsabreinigung	
	10117514	Patronenstaubfilter DC-750, einschl. 0,75 kW Lüfter, Patronenfilter, Impulsabreinigung	
1	10151002	AirFlex-19, Druckluftschläuche 19x28mm, 1m	0,5 m
2	51203004	Membranventil Impulsabreinigung 3/4"	1
3	32040001	Zeitschalter für Patronenreinigung	1
4	51201001	Druckregler, 1/4"	1
5	10130404	Manometer 1/8" (Gummi-Schutzkappe)	1
6	88600001	Druckbehälter für Impulsabreinigung	1
8	22070103	Patronenfilter für CAB/DC ab Baureihe 550	1
9	22070104	Patronenfilter für CAB/DC ab Baureihe 750	1
10	31120002	Elektromotor 0,55 kW für DC-550	1
11	31120003	Elektromotor 0,75 kW für DC-750	1
12	22010101	Lüfterrad für DC-550	1
	22010201	Lüfterrad für DC-750	1

## 7.4. Pneumatisches Schema



**Abb. 7.4.1.** Pneumatischer Schaltplan ECO-80S/100S/120S/140S

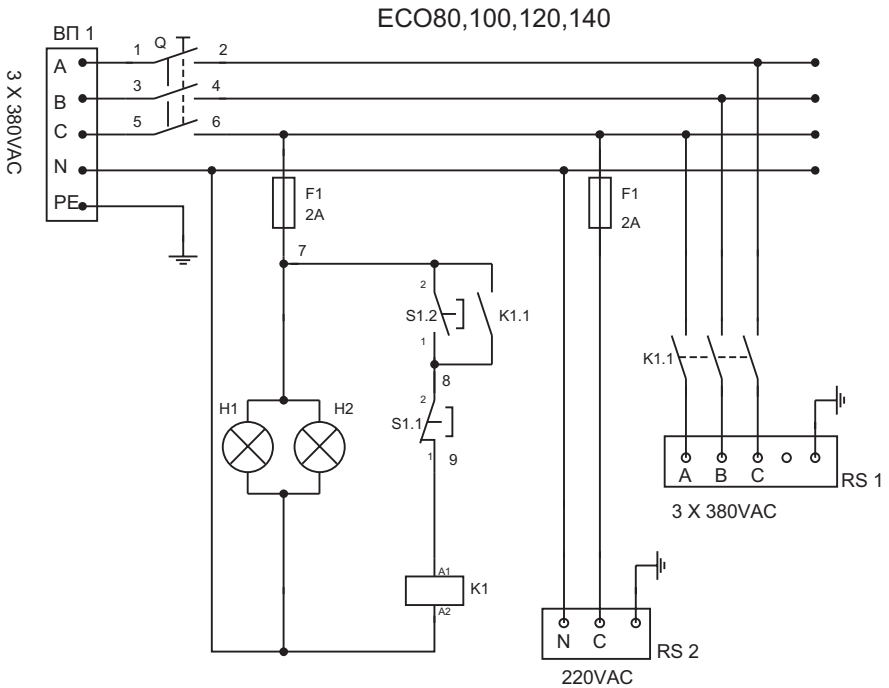
Abb. Nr.	Artikelnr.	Beschreibung
2	51203007	Türsicherungsventil 1/8"
3	51203003	Pneumatischer Fußventil
4	51201001	Druckregler, 1/4"
5	51202010	Einbau-Manometer 1/8"
6	10130404	Manometer 1/8" (Gummi-Schutzkappe)
7	10110525	Kugelventil, 1/2", (außen/innen)
9	51203002	Druckregler 1", Ferngesteuert
10	10115300	GX Handstrahlpistole, ohne Düse
11	10115901	Abblasdüse, Gummi
12	22070106	Patronenfilter für DC-370
13		Strahlmittelfuhr



**Abb. 7.4.2.** Pneumatischer Schaltplan  
ECO-80SF/100SF/120SF/140SF/ ECO-80SL/100SL/120SL/140SL

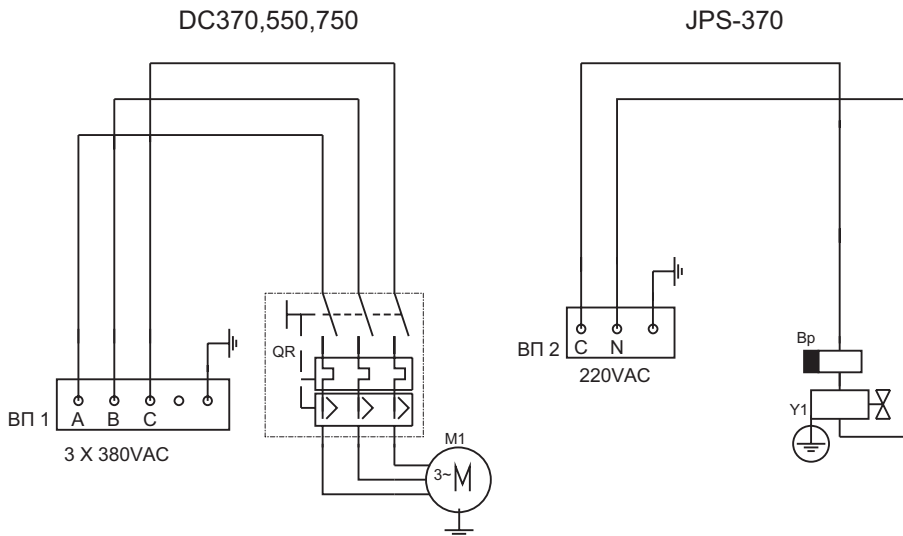
Abb. Nr.	Artikelnr.	Beschreibung
2	51203007	Türsicherungsventil 1/8"
3	51203003	Pneumatischer Fußventil
4	51201001	Druckregler, 1/4"
5	51202010	Einbau-Manometer 1/8"
6	10130404	Manometer 1/8" (Gummi-Schutzkappe)
7	51201001	Druckregler, 1/4"
8	51202008	Manometer 1/8" (Gummi-Schutzkappe)
9	88600001	Druckbehälter für Impulsabreinigung
10	51203004	Membranventil Impulsabreinigung 3/4"
12	51203002	Druckregler 1", Ferngesteuert
13	10115300	GX Handstrahlpistole, ohne Düse
14	10115901	Abblasdüse, Gummi
15	22070106	Patronenfilter für DC-370
	22070103	Patronenfilter für DC-550
	22070104	Patronenfilter m <sup>2</sup> für DC-750
16		Strahlmittelzufuhr

## 7.5 Elektrischer Schaltplan



**Abb. 7.5.1.** Elektrischer Schaltplan ECO-80/100/120/140





**Abb. 7.5.2.** Elektrischer Schaltplan DC-370/550/750

Abb. Nr.	Artikelnr.	Beschreibung
K1	35010011	Schütze 3-polig
S1	33070001	Double pushbuttons ON / OFF
HS	32060001	Nockenschalter 0-I
M	31120001	Elektromotor DC-370
	31120002	Elektromotor DC-550
	31120003	Elektromotor DC-750
Y1	51203004	Membranventil Impulsabreinigung
F	32080002	Sicherung
RS 1,2	33280005	Leitungsrosette
	33280003	Leitungsrosette
BP 1,2	33270005	Netzstecker
	33270006	Netzstecker
Bp	32040001	Zeitschalter für Patronenreinigung
QR	32130003	Automatikschalter
	32130002	Automatikschalter

1. Техника безопасности	103
2. Комплектация и описание кабины	104
3. Общие сведения	117
4. Наладка, эксплуатация и остановка	119
5. Техническое обслуживание	128
6. Поиск и устранение неисправностей	132
7. Запасные части	137



## **ВНИМАНИЕ!**

**ПЕРЕД НАЧАЛОМ РАБОТЫ НЕОБХОДИМО ПРОЧИТАТЬ И ПОЛНОСТЬЮ ПОНЯТЬ ДАННОЕ РУКОВОДСТВО.**

**ПРИВЕДЕННАЯ НИЖЕ ИНФОРМАЦИЯ ВАЖНА ДЛЯ БЕЗОПАСНОСТИ ЗДОРОВЬЯ ОПЕРАТОРА И ПЕРСОНАЛА, НАХОДЯЩЕГОСЯ В НЕПОСРЕДСТВЕННОЙ БЛИЗОСТИ.**



## **ВНИМАНИЕ!**

**ПРИ ПОКУПКЕ КАБИНЫ ТРЕБУЙТЕ ПРАВИЛЬНОГО ЗАПОЛНЕНИЯ ГАРАНТИЙНОГО ТАЛОНА!**

**БЕЗ ПРЕДЪЯВЛЕНИЯ ЗАПОЛНЕННОГО БЛАНКА ГАРАНТИЙНОГО ТАЛОНА ГАРАНТИЯ НЕДЕЙСТВИТЕЛЬНА.**

# 1. Техника безопасности

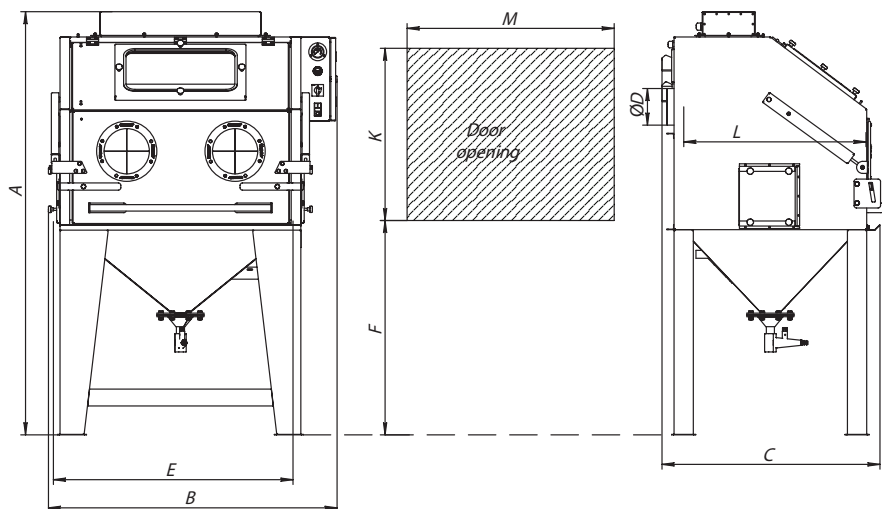


## **ВНИМАНИЕ!**

### **МЕРЫ БЕЗОПАСНОСТИ ПРИ ЭКСПЛУАТАЦИИ АБРАЗИВОСТРУЙНЫХ КАБИН.**

- 1. При абразивоструйной обработке необходимо надевать защитные перчатки.**
- 2. Недопустимо использовать при эксплуатации изношенное и неисправное оборудование/средства защиты.**
- 3. Необходимо направлять сопло только на очищаемую поверхность. Недопустимо направлять сопло на окна кабины.**
- 4. Необходимо использовать только сухие, хорошо просеянные абразивы, пригодные для операций абразивоструйной обработки.**
- 5. Перед началом работы абразивоструйной кабины необходимо:**
  - Убедиться, что перчатки, прокладки, шланги и фитинги не изношены;**
  - При использовании соединительных муфт шлангов закрепить их страховочными тросиками;**
  - Убедиться, что кабина заземлена;**
- 6. Во время абразивоструйной обработки все двери кабины, регенератор и пылесборник должны быть закрыты.**
- 7. После абразивоструйной обработки перед открыванием дверей и отключением вытяжного вентилятора с помощью воздушного сопла сдуть абразив с очищенных деталей.**
- 8. Запрещается открывать двери или отключать вытяжной вентилятор до удаления из кабины абразивной пыли.**

## 2. Комплектация и описание кабины



	A, MM	B, MM	C, MM	D, MM	E, MM	F, MM	K, MM	L, MM	M, MM	Масса, КГ
ECO-80	1665	1000	685	52	800	890	620	535	680	139
ECO-100	1760	1200	910	52	1000	890	715	755	860	246
ECO-120	1860	1400	1110	52	1200	890	820	950	1085	274
ECO-140	2185	1650	1255	52	1350	1145	885	1130	1240	309

Рис. 2.1. Стандартная модель ECO-80S/100S/120S/140S габаритные размеры

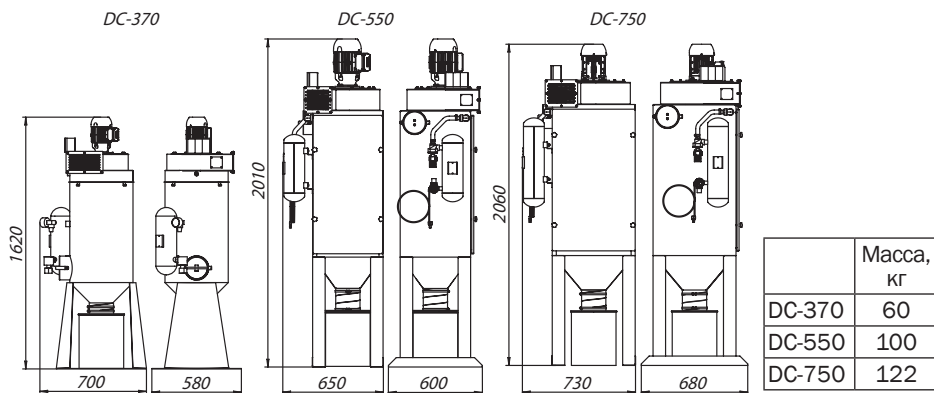
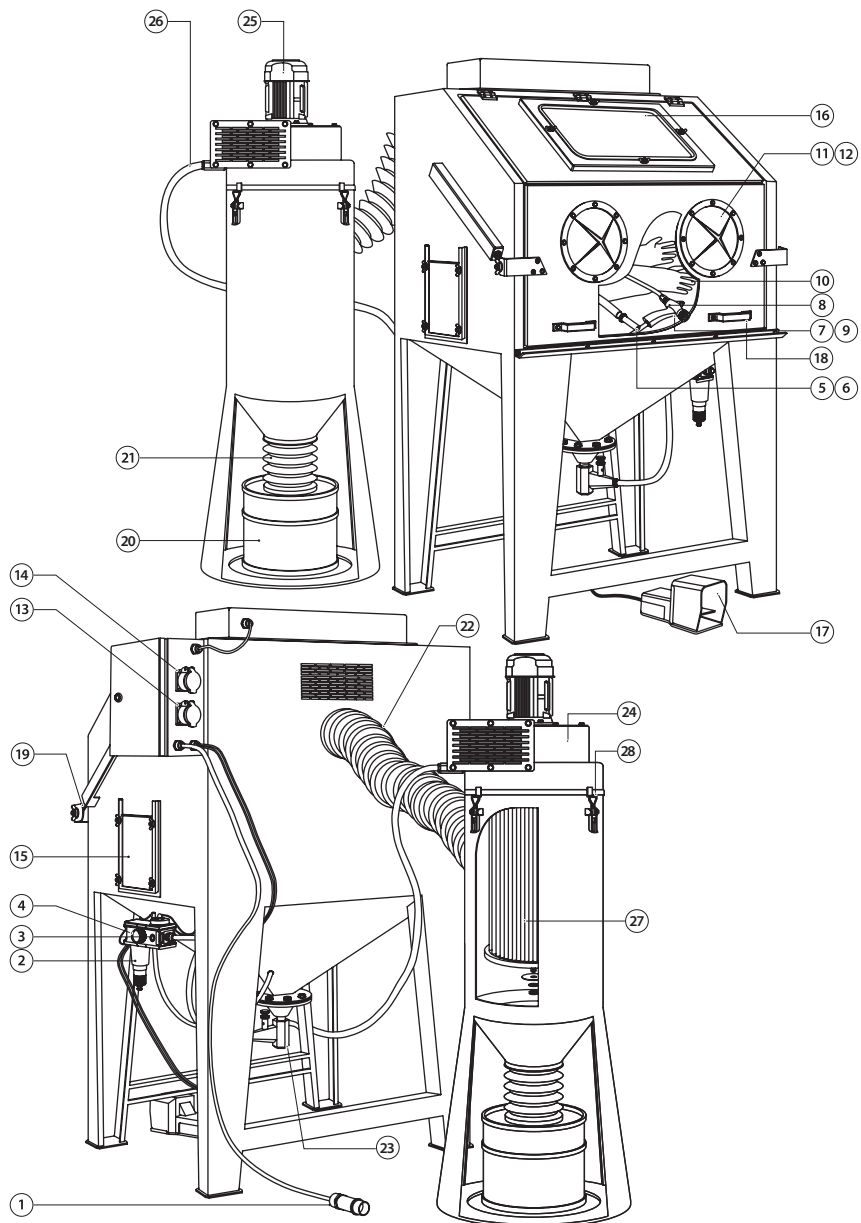
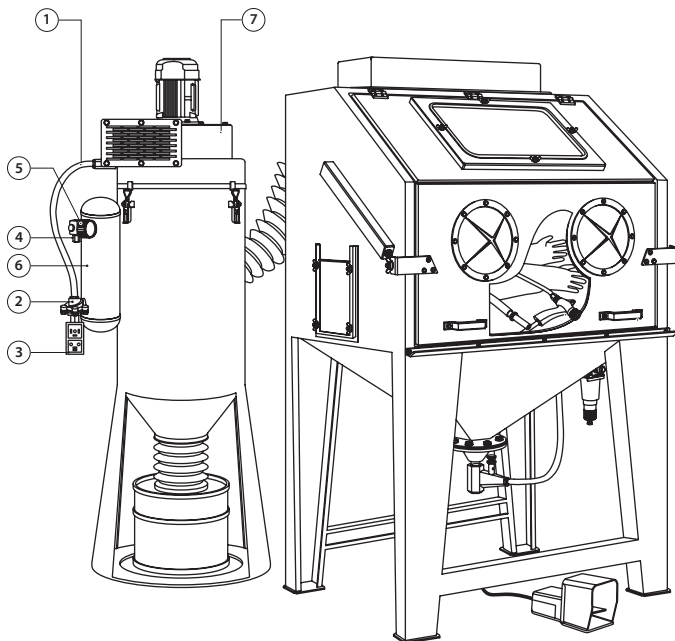


Рис. 2.2. Фильтр-камера DC-370/550/750 габаритные размеры



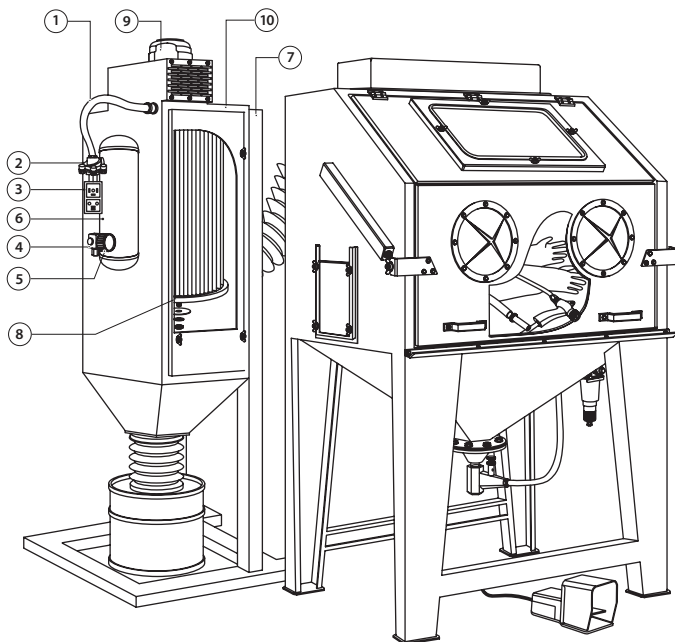
**Рис. 2.3.** Стандартная модель ECO-80S/100S/120S/140S общий вид

№ поз.	Описание
1	Вилка 380В
2	Фильтр основной линии
3	Клапан редукиционный
4	Манометр
5	Обдувочное сопло, резина
6	Рукав резиновый на обдувочное сопло
7	Пистолет GX
8	Рукав абразива, прозрачный
9	Рукав резиновый воздушный
10	Перчатки RGS 600 мм, пара
11	Шторка отверстия для рук
12	Кольцо отверстия для рук
13	Розетка 380В
14	Розетка 230В
15	Проходная дверь встроенная
16	Окно кабины (сборка)
17	Педаля пневматическая
18	Ручка
19	Пневмопружина
20	Сборник пыли
21	Рукав пылесборника
22	Рукав вентиляционный
23	Дозатор абразива
24	Лопатка вентилятора DC-370
25	Электромотор 0,37 кВт
26	Пневмошланг
27	Фильтр патронный (для DC-370)



**Рис. 2.4.** Специальная модель ECO-80SF/100SF/120SF/140SF общий вид

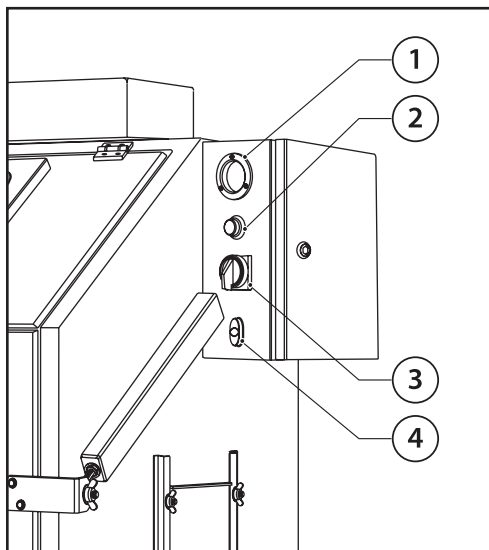
№ поз.	Описание
1	AirFlex-19, Рукав сжатого воздуха 19x28 мм
2	Пневмоклапан импульсный 3/4"
3	Таймер управления имп. пневмоклапанном
4	Регулятор давления линии очистки выходного воздушного фильтра 1/4"
5	Манометр 1/8" (в резиновой оболочке)
6	Ресивер импульсной очистки фильтра
7	Лопатка вентилятора DC-370



**Рис. 2.5.** Специальная модель ECO-80SL/100SL/120SL/140SL общий вид

№ поз.	Описание
1	AirFlex-19, Рукав сжатого воздуха 19x28 мм
2	Пневмоклапан импульсный 3/4"
3	Таймер управления имп. пневмоклапанном
4	Регулятор давления линии очистки выходного воздушного фильтра 1/4"
5	Манометр 1/8" (в резиновой оболочке)
6	Ресивер импульсной очистки фильтра
7	Стойка фильтр камеры для DC-550 и DC-750
8	Фильтр патронный для DC-550 / для DC-750
9	Электромотор 0,55 кВт для DC-550 / 0,75 кВт для DC-750
10	Лопатка вентилятора DC-550/DC-750





**Рис. 2.6.** Панель управления

№ поз.	Описание
1	Манометр панельный
2	Регулятор рабочего давления
3	Выключатель ручной кулачковый (рубильник) 0-1
4	Кнопка двойная ВКЛ. / ВЫКЛ.

## 2.1 Комплект поставки

Табл. 2.1

Код заказа	Модель	Описание, упаковка
10217101	ECO-80S	Абразивоструйная кабина, в целом, включает: - Корпус кабины - Фильтр-камера DC-370 (см. табл. 2.2) Стандартная поставка: - RGS перчатки 600 мм для пескоструйной обработки с внутренней подкладкой из ткани - Ручной абразивоструйный пистолет GX - Сопло GXT-8,0 из карбида вольфрама Ø 8 мм - Дозатор абразива - Фильтр основной линии с тонкостью фильтрации 5 мкм - Регулятор рабочего давления - Пневматические концевые выключатели - Фильтр-камера с фильтр-патроном и функцией ручной очистки - Электрическое подключение 0,50 кВт, 380 В, 3 фазы, 50 Гц Размер рабочей камеры (Ш x Г x В), мм 750 x 520 x 660 Масса, 139 кг Шумовое давление, 80 .. 120 дБ Масса детали, макс 350 кг
10217102	ECO-100S	Абразивоструйная кабина, в целом, включает: - Корпус кабины - Фильтр-камера DC-370 (см. табл. 2.2) Стандартная поставка: - RGS перчатки 600 мм для пескоструйной обработки с внутренней подкладкой из ткани - Ручной абразивоструйный пистолет GX - Сопло GXT-8,0 из карбида вольфрама Ø 8 мм - Дозатор абразива - Фильтр основной линии с тонкостью фильтрации 5 мкм - Регулятор рабочего давления - Пневматические концевые выключатели - Фильтр-камера с фильтр-патроном и функцией ручной очистки - Электрическое подключение 0,50 кВт, 380 В, 3 фазы, 50 Гц Размер рабочей камеры (Ш x Г x В), мм 950 x 720 x 760 Масса, 246 кг Шумовое давление, 80 .. 120 дБ Масса детали, макс 350 кг

Код заказа	Модель	Описание, упаковка
10217103	ECO-120S	<p>Абразивоструйная кабина, в целом, включает:</p> <ul style="list-style-type: none"> <li>- Корпус кабины</li> <li>- Фильтр-камера DC-370 (см. табл. 2.2)</li> </ul> <p>Стандартная поставка:</p> <ul style="list-style-type: none"> <li>- RGS перчатки 600 мм для пескоструйной обработки с внутренней подкладкой из ткани</li> <li>- Ручной абразивоструйный пистолет GX</li> <li>- Сопло GXT-8,0 из карбида вольфрама Ø 8 мм</li> <li>- Дозатор абразива</li> <li>- Фильтр основной линии с толщиной фильтрации 5 мкм</li> <li>- Регулятор рабочего давления</li> <li>- Пневматические концевые выключатели</li> <li>- Фильтр-камера с фильтр-патроном и функцией ручной очистки</li> <li>- Электрическое подключение 0,50 кВт, 380 В, 3 фазы, 50 Гц</li> </ul> <p>Размер рабочей камеры (Ш x Г x В), мм 1150 x 920 x 860          Масса, 274 кг          Шумовое давление, 80 .. 120 дБ          Масса детали, макс 350 кг</p>
10217104	ECO-140S	<p>Абразивоструйная кабина, в целом, включает:</p> <ul style="list-style-type: none"> <li>- Корпус кабины</li> <li>- Фильтр-камера DC-370 (см. табл. 2.2)</li> </ul> <p>Стандартная поставка:</p> <ul style="list-style-type: none"> <li>- RGS перчатки 600 мм для пескоструйной обработки с внутренней подкладкой из ткани</li> <li>- Ручной абразивоструйный пистолет GX</li> <li>- Сопло GXT-8,0 из карбида вольфрама Ø 8 мм</li> <li>- Дозатор абразива</li> <li>- Фильтр основной линии с толщиной фильтрации 5 мкм</li> <li>- Регулятор рабочего давления</li> <li>- Пневматические концевые выключатели</li> <li>- Фильтр-камера с фильтр-патроном и функцией ручной очистки</li> <li>- Электрическое подключение 0,50 кВт, 380 В, 3 фазы, 50 Гц</li> </ul> <p>Размер рабочей камеры (Ш x Г x В), мм 1350 x 1120 x 960          Масса, 309 кг          Шумовое давление, 80 .. 120 дБ          Масса детали, макс 350 кг</p>

Код заказа	Модель	Описание, упаковка
10217111	ECO-80SF	<p>Абразивоструйная кабина, в целом, включает:</p> <ul style="list-style-type: none"> <li>- Корпус кабины</li> <li>- Фильтр-камера DC-370 (см. табл. 2.2)</li> </ul> <p>Стандартная поставка:</p> <ul style="list-style-type: none"> <li>- RGS перчатки 600 мм для пескоструйной обработки с внутренней подкладкой из ткани</li> <li>- Ручной абразивоструйный пистолет GX</li> <li>- Сопло GXT-8,0 из карбида вольфрама Ø 8 мм</li> <li>- Дозатор абразива</li> <li>- Фильтр основной линии с тонкостью фильтрации 5 мкм</li> <li>- Регулятор рабочего давления</li> <li>- Пневматические концевые выключатели</li> <li>- Фильтр-камера с фильтр-патроном и функцией импульсной очистки</li> <li>- Электрическое подключение 0,50 кВт, 380 В, 3 фазы, 50 Гц</li> </ul> <p>Размер рабочей камеры (Ш x Г x В), мм 750 x 520 x 660          Масса, 139 кг          Шумовое давление, 80 .. 120 дБ          Масса детали, макс 350 кг</p>
10217112	ECO-100SF	<p>Абразивоструйная кабина, в целом, включает:</p> <ul style="list-style-type: none"> <li>- Корпус кабины</li> <li>- Фильтр-камера DC-370 (см. табл. 2.2)</li> </ul> <p>Стандартная поставка:</p> <ul style="list-style-type: none"> <li>- RGS перчатки 600 мм для пескоструйной обработки с внутренней подкладкой из ткани</li> <li>- Ручной абразивоструйный пистолет GX</li> <li>- Сопло GXT-8,0 из карбида вольфрама Ø 8 мм</li> <li>- Дозатор абразива</li> <li>- Фильтр основной линии с тонкостью фильтрации 5 мкм</li> <li>- Регулятор рабочего давления</li> <li>- Пневматические концевые выключатели</li> <li>- Фильтр-камера с фильтр-патроном и функцией импульсной очистки</li> <li>- Электрическое подключение 0,50 кВт, 380 В, 3 фазы, 50 Гц</li> </ul> <p>Размер рабочей камеры (Ш x Г x В), мм 950 x 720 x 760          Масса, 246 кг          Шумовое давление, 80 .. 120 дБ          Масса детали, макс 350 кг</p>

Код заказа	Модель	Описание, упаковка
10217113	ECO-120SF	<p>Абразивоструйная кабина, в целом, включает:</p> <ul style="list-style-type: none"> <li>- Корпус кабины</li> <li>- Фильтр-камера DC-370 (см. табл. 2.2)</li> </ul> <p>Стандартная поставка:</p> <ul style="list-style-type: none"> <li>- RGS перчатки 600 мм для пескоструйной обработки с внутренней подкладкой из ткани</li> <li>- Ручной абразивоструйный пистолет GX</li> <li>- Сопло GXT-8,0 из карбида вольфрама Ø 8 мм</li> <li>- Дозатор абразива</li> <li>- Фильтр основной линии с тонкостью фильтрации 5 мкм</li> <li>- Регулятор рабочего давления</li> <li>- Пневматические концевые выключатели</li> <li>- Фильтр-камера с фильтр-патроном и функцией импульсной очистки</li> <li>- Электрическое подключение 0,50 кВт, 380 В, 3 фазы, 50 Гц</li> </ul> <p>Размер рабочей камеры (Ш x Г x В), мм 1150 x 920 x 860          Масса, 274 кг          Шумовое давление, 80 .. 120 дБ          Масса детали, макс 350 кг</p>
10217114	ECO-140SF	<p>Абразивоструйная кабина, в целом, включает:</p> <ul style="list-style-type: none"> <li>- Корпус кабины</li> <li>- Фильтр-камера DC-370 (см. табл. 2.2)</li> </ul> <p>Стандартная поставка:</p> <ul style="list-style-type: none"> <li>- RGS перчатки 600 мм для пескоструйной обработки с внутренней подкладкой из ткани</li> <li>- Ручной абразивоструйный пистолет GX</li> <li>- Сопло GXT-8,0 из карбида вольфрама Ø 8 мм</li> <li>- Дозатор абразива</li> <li>- Фильтр основной линии с тонкостью фильтрации 5 мкм</li> <li>- Регулятор рабочего давления</li> <li>- Пневматические концевые выключатели</li> <li>- Фильтр-камера с фильтр-патроном и функцией импульсной очистки</li> <li>- Электрическое подключение 0,50 кВт, 380 В, 3 фазы, 50 Гц</li> </ul> <p>Размер рабочей камеры (Ш x Г x В), мм 1350 x 1120 x 960          Масса, 309 кг          Шумовое давление, 80 .. 120 дБ          Масса детали, макс 350 кг</p>

Код заказа	Модель	Описание, упаковка
10217121	ECO-80SL	<p>Абразивоструйная кабина, в целом, включает:</p> <ul style="list-style-type: none"> <li>- Корпус кабины</li> <li>- Фильтр-камера DC-550 (см. табл. 2.2)</li> </ul> <p>Стандартная поставка:</p> <ul style="list-style-type: none"> <li>- RGS перчатки 600 мм для пескоструйной обработки с внутренней подкладкой из ткани</li> <li>- Ручной абразивоструйный пистолет GX</li> <li>- Сопло GXT-8,0 из карбида вольфрама Ø 8 мм</li> <li>- Дозатор абразива</li> <li>- Фильтр основной линии с тонкостью фильтрации 5 мкм</li> <li>- Регулятор рабочего давления</li> <li>- Пневматические концевые выключатели</li> <li>- Фильтр-камера с фильтр-патроном и функцией импульсной очистки</li> <li>- Электрическое подключение 0,70 кВт, 380 В, 3 фазы, 50 Гц</li> </ul> <p>Размер рабочей камеры (Ш x Г x В), мм 750 x 520 x 660          Масса, 139 кг          Шумовое давление, 80 .. 120 дБ          Масса детали, макс 350 кг</p>
10217122	ECO-100SL	<p>Абразивоструйная кабина, в целом, включает:</p> <ul style="list-style-type: none"> <li>- Корпус кабины</li> <li>- Фильтр-камера DC-550 (см. табл. 2.2)</li> </ul> <p>Стандартная поставка:</p> <ul style="list-style-type: none"> <li>- RGS перчатки 600 мм для пескоструйной обработки с внутренней подкладкой из ткани</li> <li>- Ручной абразивоструйный пистолет GX</li> <li>- Сопло GXT-8,0 из карбида вольфрама Ø 8 мм</li> <li>- Дозатор абразива</li> <li>- Фильтр основной линии с тонкостью фильтрации 5 мкм</li> <li>- Регулятор рабочего давления</li> <li>- Пневматические концевые выключатели</li> <li>- Фильтр-камера с фильтр-патроном и функцией импульсной очистки</li> <li>- Электрическое подключение 0,70 кВт, 380 В, 3 фазы, 50 Гц</li> </ul> <p>Размер рабочей камеры (Ш x Г x В), мм 950 x 720 x 760          Масса, 246 кг          Шумовое давление, 80 .. 120 дБ          Масса детали, макс 350 кг</p>

Код заказа	Модель	Описание, упаковка
10217123	ECO-120SL	<p>Абразивоструйная кабина, в целом, включает:</p> <ul style="list-style-type: none"> <li>- Корпус кабины</li> <li>- Фильтр-камера DC-750 (см. табл. 2.2)</li> </ul> <p>Стандартная поставка:</p> <ul style="list-style-type: none"> <li>- RGS перчатки 600 мм для пескоструйной обработки с внутренней подкладкой из ткани</li> <li>- Ручной абразивоструйный пистолет GX</li> <li>- Сопло GXT-8,0 из карбида вольфрама Ø 8 мм</li> <li>- Дозатор абразива</li> <li>- Фильтр основной линии с тонкостью фильтрации 5 мкм</li> <li>- Регулятор рабочего давления</li> <li>- Пневматические концевые выключатели</li> <li>- Фильтр-камера с фильтр-патроном и функцией импульсной очистки</li> <li>- Электрическое подключение 0,90 кВт, 380 В, 3 фазы, 50 Гц</li> </ul> <p>Размер рабочей камеры (Ш x Г x В), мм 1150 x 920 x 860          Масса, 274 кг          Шумовое давление, 80 .. 120 дБ          Масса детали, макс 350 кг</p>
10217124	ECO-140SL	<p>Абразивоструйная кабина, в целом, включает:</p> <ul style="list-style-type: none"> <li>- Корпус кабины</li> <li>- Фильтр-камера DC-750 (см. табл. 2.2)</li> </ul> <p>Стандартная поставка:</p> <ul style="list-style-type: none"> <li>- RGS перчатки 600 мм для пескоструйной обработки с внутренней подкладкой из ткани</li> <li>- Ручной абразивоструйный пистолет GX</li> <li>- Сопло GXT-8,0 из карбида вольфрама Ø 8 мм</li> <li>- Дозатор абразива</li> <li>- Фильтр основной линии с тонкостью фильтрации 5 мкм</li> <li>- Регулятор рабочего давления</li> <li>- Пневматические концевые выключатели</li> <li>- Фильтр-камера с фильтр-патроном и функцией импульсной очистки</li> <li>- Электрическое подключение 0,90 кВт, 380 В, 3 фазы, 50 Гц</li> </ul> <p>Размер рабочей камеры (Ш x Г x В), мм 1350 x 1120 x 960          Масса, 309 кг          Шумовое давление, 80 .. 120 дБ          Масса детали, макс 350 кг</p>

**Табл. 2.2**

	Материал фильтра	Площадь фильтра, м <sup>2</sup>	Мощность вентилятора, кВт	Производительность вентилятора, м <sup>3</sup> /ч	Давление, Па
DC-370	полиэстер	2,7	0,37	800	1075
DC-550	полиэстер	7,5	0,55	870	1310
DC-750	полиэстер	11,0	0,75	900	1470



## 3. Общие сведения

### 3.1. Общие сведения

Абразивоструйная кабина Контракор обеспечивает условия для эффективной абразивоструйной обработки при поддержании чистоты окружающей рабочей зоны.

Производительность абразивоструйных кабин зависит от размера сопла, мощности компрессора, рабочего давления, типа и размера абразива и расстояния от сопла до очищаемой поверхности. Абразивоструйные кабины эжекторного типа включают два модуля:

1. Прочный корпус кабины, сваренный из стали.

2. Фильтр-камеру с высокоэффективным вентилятором, со сменным фильтр-патроном и импульсной очисткой (опция для спец. моделей:

ECO-80SF/100SF/120SF/140SF/ ECO-80SL/100SL/120SL/140SL).

### 3.2. Принцип действия

При включенной подаче воздуха и закрытых дверях абразивоструйной кабины процесс очистки может быть запущен нажатием педали. При полном нажатии педали производится подача воздуха через абразивоструйный пистолет GX. Воздух, проходящий через пистолет, захватывает абразив в смесительную камеру пескоструйного пистолета. Абразив смешивается с воздухом и выбрасывается из сопла.

После соударения с очищаемой поверхностью абразив, вместе с мелкими частицами с этой поверхности, пылью и другими побочными продуктами, образующимися при абразивоструйной обработке, падают через сито в бункер кабины. Дозатор абразива, установленный на бункер, позволяет точно регулировать насыщенность абразиво – воздушной смеси. При отпускании педали процесс обработки прекращается.

Фильтр патрон очищается путем отпирания крана для подачи воздуха в обратном направлении на высокой скорости. Обратно направленный воздух отрывает пыль накопившуюся на поверхности фильтр-патрона. Частицы пыли отделяются от фильтр-патрон и падают в пылесборник для последующей утилизации.

Автоматическая импульсная очистка, устанавливаемая на спец. Модели, позволяет очищать фильтр-патрон автоматически за счет установленного таймера и автоматического пневмоклапана.

### 3.3. Диаметр форсунок и сопел, необходимый объем сжатого воздуха

Для точного определения максимальной производительности имеется широкий ассортимент форсунок и сопел различного размера. Мощность компрессора, необходимого для работы кабины, зависит от размера форсунки и рабочего давления. См. табл. 3.1 Требования к сжатому воздуху. В стандартной комплектации кабины поставляются с форсункой Ø8 мм в абразивоструйном пистолете.

**Табл. 3.1** Требуемый объем сжатого воздуха

Ø форсунки (мм)	Ø абразиво- струйного сопла (мм)	ТРЕБУЕМЫЙ ОБЪЕМ ВОЗДУХА (м <sup>3</sup> /мин.) при рабочем давлении, бар								
		2	3	4	5	6	7	8	10	12
3,2	6,0	0,245	0,326	0,406	0,487	0,568	0,649	0,730	0,891	1,050
4,0	8,0	0,436	0,579	0,723	0,865	1,010	1,150	1,300	1,585	1,870
5,0	10,0	0,681	0,905	1,130	1,350	1,580	1,800	2,030	2,480	2,930

### 3.4. Абразив

В кабинах компании Контракор используются наиболее распространенные абразивы, 180 меш и грубее, специально выпускаемые для сухой абразивоструйной обработки.

Используемый размер абразива (меш) и размер сопла должны обеспечивать равномерное истечение абразива. При низком рабочем давлении воздуха необходимо использовать мелкий абразив и сопло маленького диаметра.

**Стальной абразив:** Стальная крошка или дробь могут быть использованы в кабинах ECO-80S/100S//120S/140S/ECO-80SF/100SF//120SF/140SF/ ECO-80SL/100SL//120SL/140SL ограниченно. Для защиты стенок кабины от быстрого износа должен применяться комплект для облицовки резиновый защитный.

**Песок и шлак:** Недопустимо использовать песок, так как он образует крайне легкий диоксид кремния и поэтому опасен для органов дыхания.



## **ВНИМАНИЕ!**

**Абразивная обработка песком, содержащим кварц, может вызвать серьезные или фатальные респираторные заболевания.**

**Оксид алюминия, двуокись кремния и гранит:** Подобные агрессивные материалы могут применяться, но следует учитывать ускоренный износ всех деталей кабины, регенератора, сопла и шлангов, находящихся в контакте с таким материалом.

В случае применения агрессивного абразива необходимо использовать сопло из карбида вольфрама. Срок службы сопла из карбида вольфрама в 10 - 20 раз больше, чем керамического сопла.

**Стеклопудра:** Пудра обычно обработана для обеспечения беспрепятственной эксплуатации даже при сравнительно высокой влажности. Стеклопудра, подвергшаяся воздействию избытка влаги, может быть многократно использована после тщательной сушки и полного разрушения образовавшихся комков.

### **3.5. Качество сжатого воздуха**

Воздушный фильтр и на входе воздуха удаляет сконденсированную влагу из сжатого воздуха. Его применение особенно важно в зонах высокой влажности или при использовании мелкого абразива. Влага вызывает образование комков абразива и препятствует свободному истечению через дозатор. При появлении проблемы наличия влаги может потребоваться устройство осушения воздуха.

## **4. Наладка, эксплуатация и остановка**

### **4.1. Установка и наладка**

#### **4.1.1 Место установки**

Следует выбрать место установки, в котором имеется сжатый воздух, вода и электропитание. Следует обеспечить свободный доступ ко всем дверям и зонам обслуживания, а также удобство работы с крупными деталями.

#### 4.1.2 Линия подачи сжатого воздуха

Подсоединить входной патрубок кабины к магистрали сжатого воздуха рукавом с минимальным внутренним диаметром I.D. = 1/2". Для подсоединения следует использовать гибкий шланг с тем же минимальным внутренним диаметром, что и воздушная магистраль. Применение воздушной магистрали или шланга меньшего диаметра может снизить эффективность очистки.



### **ВНИМАНИЕ!**

**Необходимо убедиться, что вся трубопроводная арматура и крепеж шлангов плотно закреплены перед использованием пескоструйной кабины. Отсоединение шланга под давлением может привести к серьезным травмам.**

#### 4.1.3 Заземление

Следует заземлить кабину для предотвращения накопления статического электричества. Для заземления необходимо присоединить заземляющий провод к контакту для присоединения заземления слева сзади на нижней части кабины.

#### 4.1.4 Подключение электропитания



### **ВНИМАНИЕ!**

**Все работы с электричеством должны выполняться квалифицированным электриком в соответствии с государственными и местными стандартами.**

Схема соединений входит в комплект поставки кабины. После подключения необходимо проверить направление вращения двигателя, кратковременно включив и выключив выключатель. Вентилятор двигателя должен вращаться по часовой стрелке, если смотреть на двигатель со стороны крыльчатки принудительного охлаждения.



### **ВНИМАНИЕ!**

**Запрещается смотреть в выходное отверстие вытяжного вентилятора регенератора при вращении вытяжного вентилятора. Частицы, вылетающие из вытяжного вентилятора, могут вызвать травму глаз и лица.**

#### **4.1.5 Статическое разряжение кабины**

Необходимо установить статическое разряжение кабины с учетом размеров кабины и циклона. Для снижения статического разряжения следует дополнительно открыть впускную заслонку, а для увеличения – закрыть. Необходимо подобрать такое положение заслонки, при котором будет хорошая видимость внутри кабины.

#### **4.1.6 Педаль**

Установить педаль на полу перед кабиной для обеспечения удобного доступа. Абразивоструйная кабина предназначена для использования одним оператором. Следует убедиться, что в случае чрезвычайной ситуации можно быстро убрать ногу с педали.

## **4.2. Операция абразивно-струйной обработки**

#### **4.2.1 Загрузка абразива**

При выключенной вытяжке добавить сухой абразив в бункер абразивоструйной кабины. Не переполняйте абразивоструйный бункер абразивом, так как это приводит к негерметичному закрытию герметизирующего клапана. Минимальное количество абразива для засыпки в систему:

- ECO-80P/100P/120P/140P- 20 кг
- ECO-80PF/100PF/120PF/140PF- 20 кг
- ECO-80PL/100PL/120PL/140PL- 20 кг

#### **4.2.2 Выгрузка абразива**

Для удаления отработанного абразива из кабины отключить вытяжной вентилятор и поместить пустую тару под дозатор. Отвинтить нижнюю пробку дозатора, абразив высыпется в тару. Если материал не высыпается, он слежался. В этом случае следует открыть дверцу для засыпки и перемешивать материал, пока он не начнет сыпаться.

#### **4.2.3. Загрузка и выгрузка деталей**

Детали загружаются через переднюю дверь. Проем двери позволяет производить загрузку при помощи крана и других погрузочных механизмов. Очищаемые детали должны быть обезжиренными и сухими.

Закрыв дверь убедитесь в ее плотном прилегании к корпусу кабины. Система блокировки не позволит включить кабину, если дверь плотно не закрыта..

#### 4.2.4. Операция абразивно-струйной обработки



### **ВНИМАНИЕ!**

**Перед очисткой необходимо закрыть дверь кабины, регенератора и пылесборника. Во время обработки все двери должны быть закрыты.**

**Необходимо постоянно использовать перчатки для абразивоструйной обработки.**

**Не следует направлять абразивоструйное сопло на смотровое окно.**

**Перед открыванием дверей с помощью обдувочного сопла следует сдуть абразив с очищаемых деталей.**

**После абразивоструйной обработки двери следует держать закрытыми, а вытяжной вентилятор включенным до тех пор, пока кабина полностью не очистится от пыли, находящейся в воздухе.**

**При обнаружении утечек пыли необходимо немедленно прекратить очистку.**

Включить подачу сжатого воздуха в абразивоструйную кабину. На начальном этапе убедиться в отсутствии утечек воздуха.

Установить регулятор импульсного давления на 4-5 бар. Установить переключатель включения/выключения в положение "I" для включения освещения и импульсной очистки фильтра. Нажать кнопку ON (ВКЛ.) для включения вытяжного вентилятора.

Вставить руки в резиновые перчатки. Плотно держа абразивоструйный пистолет, нажать на педаль. Начнется процесс очистки.

Отрегулировать давление очистки, используя регулятор, расположенный на панели управления. Индикатор давления на панели управления указывает фактическое значение давления очистки.

Наиболее эффективна обработка плавными непрерывными проходами. Расстояние от детали влияет на ширину полосы, охватываемую струей. Обычно сопло располагают на расстоянии приблизительно 70 - 150 мм от поверхности детали.



## **ВНИМАНИЕ!**

**Если из пылесборника выходит пыль, необходимо немедленно отключить кабину. Следует убедиться в том, что фильтры правильно установлены, не изношены и не повреждены. Продолжительное вдыхание любой пыли может привести к серьезному легочному заболеванию или летальному исходу. Непродолжительное глотание токсичной пыли, например, свинцовой, создает непосредственную угрозу здоровью. Токсичность и риск для здоровья зависят от пыли, возникающей при абразивоструйной очистке. Необходимо определить все вещества, удаляемые абразивоструйной очисткой и получить сертификат безопасности для абразива.**

При работе абразивоструйной кабины необходимо регулярно производить очистку фильтр-патрона. Для этого подается сжатый воздух на внутреннюю поверхность фильтр-патрона. Это заставляет скопившуюся пыль ссыпаться в емкость для ее сбора. Длительность подачи сжатого воздуха – 1 или 2 секунды.

При наличии системы импульсной очистки фильтр-патрона по времени, заданному таймером, происходит подача сжатого воздуха на внутреннюю поверхность фильтр-патрона. Длительность подачи сжатого воздуха также регулируется при помощи таймера.

### **4.2.5 Приостановка операции струйной обработки и остановка**

Для прекращения абразивоструйной очистки следует отпустить педаль.

Для удаления абразива с очищенных деталей следует использовать обдувочное сопло. Перед открыванием двери и выгрузкой деталей следует дождаться очистки кабины от пыли, находящейся в воздухе.

Нажать кнопку OFF (ВЫКЛ.) для выключения вытяжного вентилятора.

Установить переключатель включения/выключения в положение “0” для выключения освещения и импульсной очистки фильтра. Отключить подачу сжатого воздуха в абразивоструйную кабину и опорожнить пылесборники.

## 4.3. Регулировка

### 4.3.1 Давление очистки

Регулятор давления, расположенный на панели управления кабины, позволяет пользователю регулировать давление абразиво-воздушной смеси в зависимости от условий работы.

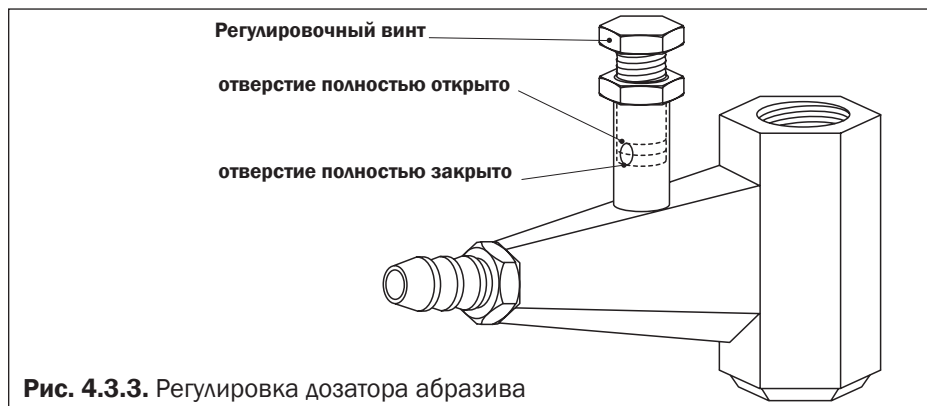
Давление, подходящее для большинства случаев, составляет 5-6 бар. Более низкое давление может потребоваться для очистки хрупких или мягких, тонкостенных предметов или уменьшения разрушения абразива. Более высокое давление может потребоваться для удаления крепкодержащихся загрязнений, но оно повышает разрушение абразива. Во всех случаях максимальная производительность достигается только при тщательном контроле давления.

Отрегулировать давление воздуха, поворачивая ручку регулятора, расположенную спереди на панели управления. Вытянуть ручку и повернуть по часовой стрелке для увеличения давления или против часовой стрелки для снижения давления. После задания рабочего давления, вдавить ручку для блокировки.

### 4.3.2 Установка абразивоструйного сопла

Абразивоструйное сопло должно быть ввинчено на 4,5 - 5 полных оборотов в заднюю часть корпуса пистолета GX. При этом 3,5 - 4 витка резьбы останутся свободными за зажимной гайкой. Затянуть зажимную гайку для удерживания сопла на месте.

### 4.3.3 Воздушно-абразивная смесь





Следует понаблюдать за потоком абразива через прозрачный шланг для него. Абразив должен протекать по шлангу плавно и равномерно. Если воздух при выходе из сопла пульсирует или абразив не истекает плавно, необходимо отрегулировать количество подаваемого абразива при помощи дозатора.

Для регулировки необходимо ослабить контргайку и отрегулировать шнек-дозатор.

Если в шланге абразива происходят пульсации, значит абразив сырой, слежавшийся, или недостаточное количество или давление воздуха. Во время струйной обработки ослабить зажимную гайку и медленно вывинчивать регулировочный винт (против часовой стрелки, если смотреть сверху), пока абразив не начнет течь плавно. Затянуть зажимную гайку для сохранения настройки.

Если поток абразива слишком слабый, необходимо уменьшить содержание воздуха в смеси, вворачивая шнек-дозатор (по часовой стрелке, если смотреть сверху) и закрывая больше отверстие, чтобы в шланг с абразивом поступило меньше воздуха. Затянуть контргайку для сохранения регулировки.

#### **4.3.4 Статическое разряжение кабины**

После первоначальной регулировки в соответствии с разделом 4.1.5 статическое разряжение кабины редко требует повторной регулировки. Первоначальная регулировка обеспечивает приблизительно 50 - 75% статического разряжения в корпусе кабины. Для регулировки открыть на фильтр-камере заслонку сильнее, чтобы уменьшить статическое разряжение, или сильнее закрыть, чтобы увеличить разряжения.

Перчатки можно использовать как индикатор необходимого статического разряжения кабины. При включенном вытяжном вентиляторе перчатки должны быть надуты, но не подняты над решеткой.

#### **4.3.5 Пневматические концевые выключатели**

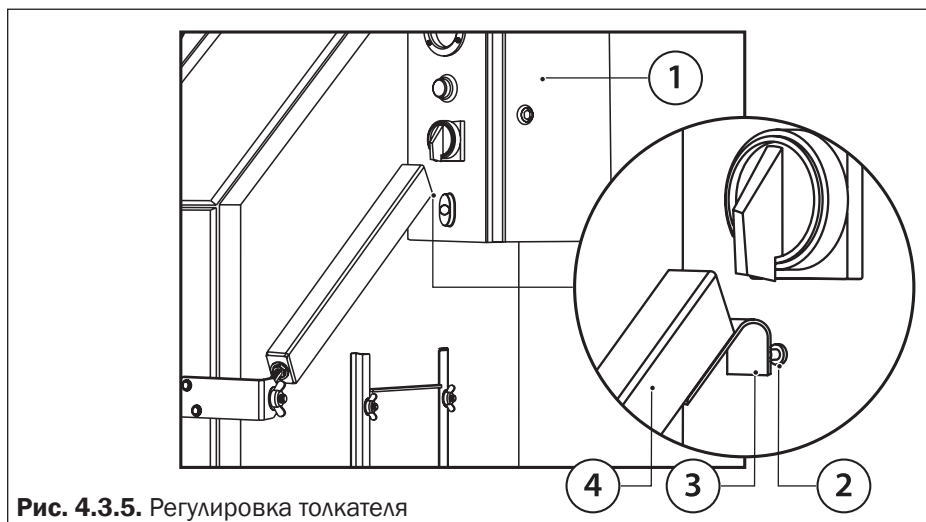
Пневматические концевые выключатели отключают схему управления абразивоструйной очисткой, если дверь открыта. Концевой выключатель расположен справа на пневмоподъемнике двери. Для выполнения абразивоструйной очистки выключатель должен быть включен. Пневматические концевые выключатели настроены на заводе-изготовителе и обычно не требуют регулировки на месте эксплуатации кабины, за исключением случаев замены деталей.



## ВНИМАНИЕ!

**Категорически запрещается препятствовать работе системы блокировки. Невыполнение этого требования может привести к травме в результате неожиданного включения струи абразива.**

Проверить работоспособность при открытой и закрытой двери. При проверке сопло направлять от двери, открывать дверь не больше, чем требуется для отключения концевого выключателя. Блокировки должны прекращать абразивоструйную очистку при открывании дверей и начинать ее выполнение при закрытых дверях.



**Рис. 4.3.5.** Регулировка толкателя

**ПРИМЕЧАНИЕ!** Разряженное давление в кабине может вызвать деформацию двери вовнутрь. Следует выполнять проверки при включенном вытяжном вентиляторе. При необходимости отрегулируйте разряжение внутри кабины.

### 4.3.6 Давление импульса очистки фильтр-патрона

Отрегулировать давление импульса, используя регулятор, установленный на импульсном коллекторе. Стандартное давление импульсной очистки 4 - 5 бар.

Если пульсация недостаточно очищает фильтр-патрон, увеличивать давление импульса интервалами по 0,5 бар до максимального значения 6,0 бар. Увеличение давления импульса более 6,0 бар может вызвать повреждение корпуса фильтра и самого фильтра.

Если после увеличения давления, осадок пыли на фильтр-патроне увеличивается, следует отрегулировать цикличность импульсов.

#### 4.3.7 Таймер

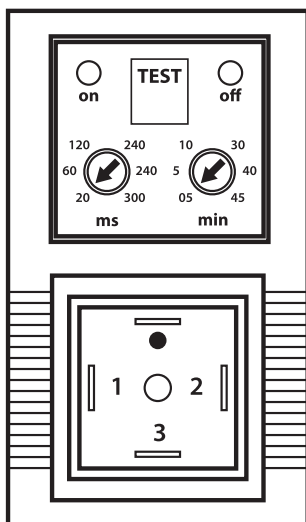
Отрегулировать длительность импульса и цикличность на таймере (расположение см. на рис. 6). Для регулировки длительности импульсов следует использовать левую шкалу, а для регулировки интервала между импульсами правую шкалу. Регулировку необходимо начинать в следующей последовательности:

Длительность импульсов

**левая шкала** - 60 мс (давление импульса 4,5 бар)

Интервал между импульсами

**правая шкала** - 5 мин..



**Рис. 4.3.7.** Регулировка длительности импульса и цикличность на таймере

# 5. Техническое обслуживание

## 5.1. Профилактическое обслуживание

### 5.1.1 Ручной абразивоструйный пистолет GX

Проверить ручной абразивоструйный пистолет GX на износ. Замена крышки сопла до сквозного износа увеличивает срок службы сопла.

### 5.1.2 Пылесборник

Необходимо регулярно опорожнять пылесборник. Сначала следует проверять пылесборник не реже одного раза в день или при добавлении абразива, затем следует определить частоту проверок, учитывая интенсивность эксплуатации, загрязненность и истираемость абразива.

### 5.1.3 Фильтр воздушной магистрали

Кабина оборудована ручным сливом конденсата из фильтра воздушной магистрали.

Сливать конденсат следует, по крайней мере, один раз в день (при необходимости чаще) или если на выходе сопла становится заметен водяной туман.

Влажный воздух мешает потоку абразива. Если удалить влагу не удастся, может потребоваться устройство осушения воздуха с охлаждением.

### 5.1.5 Рукав для абразива

Для исключения незапланированных остановок необходимо проверять рукав для абразива на отсутствие мест с истонченным материалом, особенно, на наружной поверхности.

## 5.2 Сервисное обслуживание

### 5.2.1 Перчатки

Для удобства работы оператора предусмотрены специальные перчатки, обеспечивающие удаление статического электричества. Эти перчатки необходимо периодически заменять по мере износа. Первым признаком износа перчаток могут служить чрезмерные удары статическим электричеством.

### 5.2.2 Сопло

Следует заменять сопло, если его диаметр увеличился максимум на 2 мм или раньше, если рабочее давление заметно уменьшилось. Для замены сопла отвинтить гайку крепления от пистолета. Снять сопло с пистолета, потянув за него, и установить новое сопло конусным концом к форсунке. Снова навинтить гайку крепления сопла на пистолет.

### 5.2.3 Замена внутреннего стекла

Стекло внутреннего окна уложено на уплотнитель, смонтированный в паз двери. Для замены стекла окрутите четыре винта, удерживающие раму смотрового окна. Снимите раму, затем поменяйте внутреннее стекло. Внутреннее стекло вырезается из стандартного стекла толщиной 4 мм. Проверьте уплотнитель на двери кабины и раме, при наличии повреждений замените их в соответствии с пунктом 5.2.5.

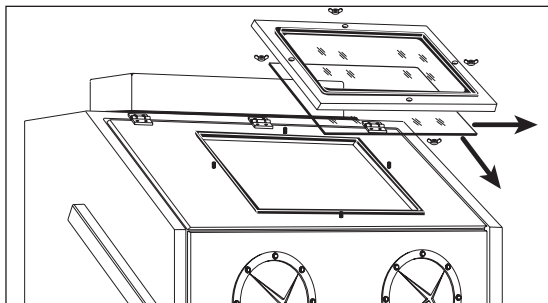


Рис. 5.2.3. Замена внутреннего стекла

### 5.2.4 Замена смотрового стекла



## ВНИМАНИЕ!

**Запрещается использовать для замены смотровых окон листовое стекло. Оно может разбиться при ударе и причинить серьезную травму. Следует использовать только многослойное безопасное стекло, одобренное изготовителем.**

Смотровое стекло установлено в раму, прикрепленную к двери кабины четырьмя винтами. Чтобы заменить смотровое стекло открутите четыре крепежных винта и освободите оконную раму. Проверьте уплотнитель на двери кабины и раме, при наличии повреждений замените их в соответствии с пунктом 5.2.5.

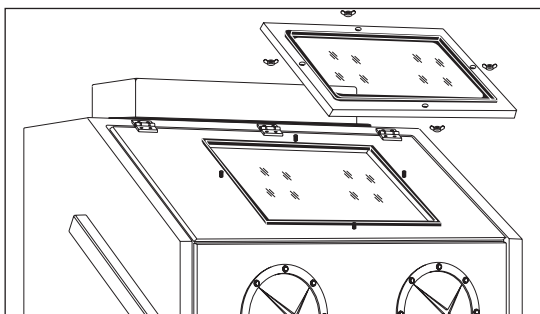
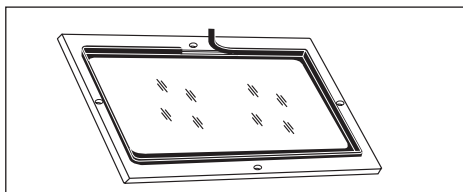


Рис. 5.2.4.1. Снятие окна

Выньте старое стекло выдавив его из рамы.

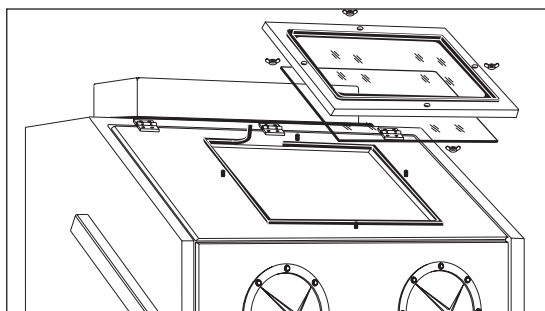


**Рис. 5.2.4.2.** Замена внешнего стекла

Вставить профиль окна в оконный проем, устанавливая его узкой щелью на металлическую кромку проема. Концы профиля должны соединяться в середине прямой части проема. Профиль необходимо сжать, чтобы его концы оказались плотно соединены. Работая спереди, установить смотровое окно в широкую щель профиля.

### 5.2.5 Замена прокладки окна

При первых признаках утечки абразивной пыли вокруг смотрового окна или если видны повреждения прокладок, необходимо заменять прокладку рамы окна и прокладку проема окна кабины.



**Рис. 5.2.5.** Замена прокладки окна

При замене смотрового окна следует проверить прокладки. Смотровое окно и раму следует заменять в соответствии с указаниями в разделе 5.2.4. Полностью удалить материал старой прокладки и очистить поверхность кабины и рамы окна.

Снять защитное покрытие с небольшого участка клейкой основы прокладки толщиной 3 мм и приклеить прокладку к центру верхней кромки оконного проема, как показано на рис. 10. По мере необходимости снимая защитное покрытие с липкой основы, приклеить прокладку по всему периметру окна, включая угловые скругления, плотно прижимая прокладку для качественного склеивания. Обрезать прокладку по месту и сжать концы для герметизации.

## 5.2.6 Замена картриджа фильтра



### **ВНИМАНИЕ!**

**Невыполнение требования о средств индивидуальной защиты при обслуживании запыленных зон кабины и пылесборника, а также при опорожнении пылесборника может привести к серьезному раздражению глаз, заболеваниям легких или смертельному исходу.**

**Токсичность и риск для здоровья зависят от типа абразива и пыли, возникающей при струйной обработке.**

**Респиратор должен быть допущен к применению с соответствующим типом возникающей пыли.**

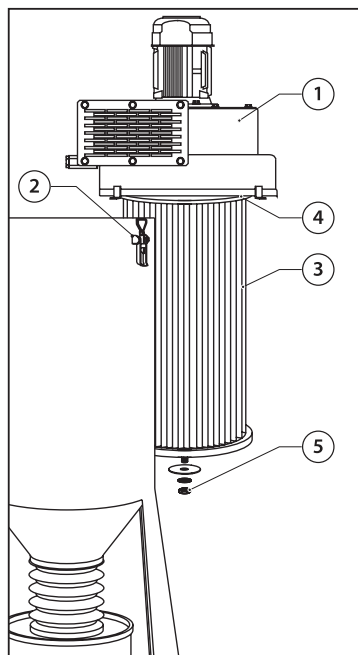
**Необходимо определить все материалы, удаляемые струйной очисткой и получить сертификат безопасности для абразива.**

Закрывать подачу воздуха в кабины и полностью стравить воздух из импульсного коллектора. Открыть замки и снять дверь фильтр-камеры. Открутить гайку крепления фильтр-патрона, снять шайбу и прокладку.

Для удаления фильтр-патрона потянуть его прямо вниз до освобождения удерживающей планки. Очистить все повторно используемые детали, особенно вокруг зоны герметизации фильтр-патрона. Полностью удалить остатки материала прокладки с уплотняемой поверхности.

Установить новый фильтр-патрон и прокладку. Затягивать гайку крепления до тех пор, пока фильтр-патрон будет невозможно провернуть рукой. Затянуть гайку на один полный оборот дополнительно.

Проверить прокладку дверцы фильтр-



**Рис. 5.2.6.** Замена фильтр-патрона

камеры, убедиться в ее полной исправности и отсутствии препятствий для ее герметизации. При необходимости заменить прокладку. Установить дверцу фильтр-камеры на место. Выполнить приработку картриджа в соответствии с разделом 5.2.7.

### 5.2.7 Приработка фильтр-патрона

Новый фильтр-патрон должен пройти приработку. Фильтр-патроны прирабатывают, создавая осадок пыли на фильтрующем материале перед началом использования очистки. Эксплуатировать кабину без очистки фильтра необходимо около 2-х часов или до ухудшения видимости в рабочей зоне. Потом необходимо проводить очистку фильтра периодически открывая шаровый кран.

При наличии системы импульсной очистки для начала работы установите регулятор давления очистки на 0 бар. Очистка фильтр-патрона производиться не будет не смотря на срабатывающий таймер. Эксплуатируйте кабину около 2-х часов, после чего установите давление очистки на 4-5 бар.

## 6. Поиск и устранение неисправностей



### **ВНИМАНИЕ!**

**Для исключения серьезных травм при поиске и устранении неисправности необходимо соблюдать следующие требования.**

- Отключить воздух, заблокировать подачу воздуха и повесить на входной кран табличку.
- Если для проверки органов контроля необходим воздух, необходимо обязательно воспользоваться помощью другого лица для выполнения следующих действий:
- Надежно удерживать сопло.
- Нажимать на педаль.
- Недопустимо ставить перемычку для шунтирования педали, блокировать ее в рабочем положении.
- Недопустимо отключать систему блокировки дверей или иным способом препятствовать ее работе.



## **6.1. Плохая видимость**

**6.1.1** Плохая видимость может быть обусловлена загрязнением фильтр-патрона. Необходимо регулярно опорожнять пылесборник. Необходимо проверять и при необходимости заменять фильтр-патрон. Необходимо следить за очисткой фильтр-патрона (пункт 4.2.4)

**6.1.2** Вращение двигателя в обратном направлении. Двигатель должен вращаться в направлении, указанном стрелкой на корпусе. Если двигатель не вращается в нужном направлении, отключить источник электропитания и вывесить на нем табличку, подключить выводы двигателя, как показано на табличке двигателя.

**6.1.3** Применение слишком мелкого, изношенного или мягкого абразива, который быстро разрушается, может привести к плохой видимости.

**6.1.4** Заслонка впуска слишком сильно закрыта, ограничивая приток воздуха в кабину. Отрегулировать статическое разряжение в соответствии с разделом 4.3.4.

## **6.2. Чрезмерно высокое потребление абразива**

**6.2.1** Заслонка впуска открыта слишком сильно. Отрегулировать статическое разряжение в соответствии с указаниями в разделе 4.3.4.

**6.2.2** Применение слишком мелкого, изношенного или мягкого абразива, который быстро разрушается.

**6.2.3** Слишком высокое для применяемого абразива давление в сопле вызывает разрушение материала.

## **6.3. Снижение скорости абразивоструйной очистки**

**6.3.1** Низкий уровень абразива, что приводит к снижению его потока. Проверить уровень абразива и добавить, если он низок.

**6.3.2** Неправильная регулировка дозатора абразива. Отрегулировать в соответствии с указаниями в разделе 4.3.3.

**6.3.3** Сниженное давление воздуха. Может быть вызвано неисправностью регулятора, загрязненностью фильтр-патрона в фильтр-камере, частично закрытым воздушным клапаном, утечкой воздуховода или других используемых элементов пневматики.

**6.3.4** Закупоривание абразивного рукава или сопла. Закупоривание может

произойти в результате отсутствия сороудерживающей решетки или неверной регулировкой дозатора абразива, что ведет к слишком сильному потоку абразива. Проверить регулировку дозатора абразива в соответствии с указаниями в разделе 4.3.3.

**6.3.5** Износ сопла. Проверить и заменить изношенное сопло.

**6.3.6** Износ абразивоструйного рукава. Проверить рукав на отсутствие разрывов и изношенных участков. Заменить в случае износа или повреждения.

**6.3.7** Влажный абразив. Множественные комки или закупорка абразива в области дозатора абразива могут быть вызваны влагой. См. раздел 4.3.3.

## **6.4 Забитое сопло**

**6.4.1** Смесь слишком богата абразивом. Отрегулировать параметры воздушно-абразивной смеси в соответствии с указаниями в разделе 4.3.3.

## **6.5. Образование в абразиве «комков» (слеживание, спекание)**

**6.5.1** Частое образование комков или закупоривания в клапане-дозаторе может быть вызвано влажным абразивом. Абразив становится влажным из-за частиц, которые становятся смоченными из-за наличия влаги в линии сжатого воздуха или из-за абсорбции.

**6.5.2** Чтобы исключить загрязнение абразива из-за обрабатываемой детали, все детали, помещаемые в кабину, должны быть чистыми и сухими. Если детали маслянистые или жирные, перед абразивоструйной очисткой необходимо их обезжирить и высушить.

**6.5.3** Причинами содержания в сжатом воздухе жидкости могут быть перегрев вследствие неисправности компрессора, масло насосов или влага в линии воздуха, слишком длинная воздушная магистраль (это позволяет влаге конденсироваться на ее внутренних поверхностях) и высокая влажность. Необходимо регулярно сливать воду из фильтров и ресивера. Если проблема не устраняется, может оказаться необходимым чаще заменять абразив или установить устройство осушения воздуха с охлаждением.

**6.5.4** Абсорбция: некоторые абразивы часто склонны к поглощению влаги из воздуха, особенно это относится к абразивам с малым размером частиц в зонах высокой влажности. Когда кабина не используется, абразив следует хранить в герметичной таре.

## **6.6 При нажатии педали из сопла не поступает ни воздух, ни абразив**

**6.6.1** Блокировки дверей не действуют. Проверить регулировку в соответствии с указаниями в разделе 4.3.5.

**6.6.2** Закупорка или утечка в линиях управления. Проверить все трубопроводы и полимерные трубы на отсутствие закупорки и утечек.

**6.6.3** Трехходовой клапан педали неисправен или не включен. Проверить выравнивание педали и давление в линиях впуска и выпуска.

**6.6.4** Убедиться, что не перепутаны линии на педали. Пневмотрубка от клапана редукционного 13, см. рис. 16, подходит к входу «2» на педали - правый канал. Пневмотрубка от выхода «1» педали - левый канал должна уходить к регулятору рабочего давления 5, см. рис. 16.

**6.6.5** Убедиться, что клапан редукционный (Рис. 1) не установлен на слишком низкое давление. Минимальное давление – 3 бар.

**6.6.6** Убедиться, что компрессор включен и воздух подается в кабину.

**6.6.7** Сопло забито. См. раздел 6.4 и 4.3.2.

## **6.7 Работа кабины не прекращается при отпускании педали**

**6.7.1** Убедиться, что трехходовой клапан в педали выпускает воздух при отпускании педали. Если нет, проверить отсутствие закупорки в линии и отсутствие неисправности переключателя.

## **6.8 Закупорка шланга абразива**

**6.8.1** Препятствия для прохождения абразива. Обычно вызваны слишком большим содержанием абразива в смеси. Отрегулировать параметры воздушно-абразивной смеси в соответствии с указаниями в разделе 4.3.3.

**6.8.2** Влажный или сырой абразив. См. раздел 6.5.

## 6.9 Выброс абразива

**6.9.1** Сильный поток абразива. Отрегулировать в соответствии с указаниями в разделе 4.3.3.

## 6.10 Слабое всасывание в шланге абразива

**6.10.1** Недостаточная подача воздуха. См. табл. 3.1.

**6.10.2** Форсунка нуждается в регулировке. Проверить регулировку в соответствии с указаниями в разделе 4.3.2.

**6.10.3** Сопло изношено. Заменить при износе 2 мм или больше.

**6.10.4** Закупорка шланга абразива или сопла. См. раздел 6.8.

**6.10.5** Неверное сочетание размеров форсунки и сопла. См. табл. 3.1.

**6.10.6** Защитная трубка форсунки выступает за конец форсунки. Обрезать трубку вровень с форсункой.

## 6.11 Отдача через шланг абразива

**6.11.1** Закупорка в сопле. Снять сопло и проверить на отсутствие закупорки.

**6.11.2** Форсунка может быть слишком большой для сопла. См. табл. 3.1.

## 6.12 Удары статическим электричеством

**6.12.1** Кабина и/или оператор не заземлены. Абразивоструйная обработка вызывает накопление статического электричества. Для предотвращения этого кабина должна быть заземлена. См. раздел 4.1.3. Если удары повторяются, возможно, статическое электричество накапливается на операторе. Соединить оператора с кабиной коротким заземляющим проводом (таким, как заземляющий браслет/манжета для рук).

**6.12.2** Детали должны находиться в контакте с решеткой. Если статическое электричество не рассеивается в металлической кабине, оно накапливается в обрабатываемой детали.

## 6.13 Утечка пыли из фильтр-камеры

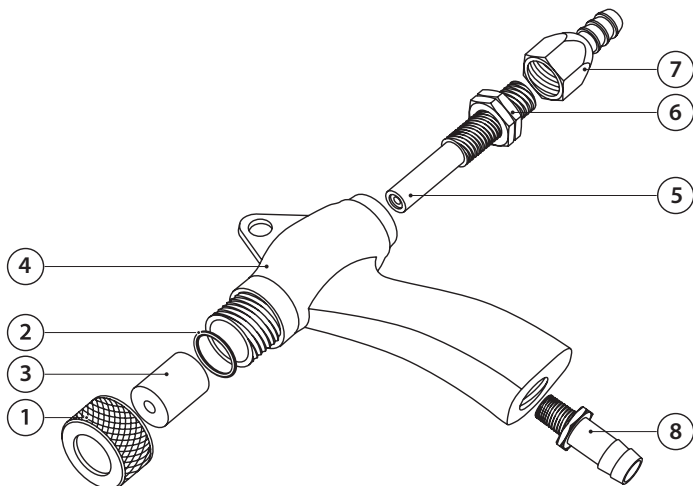
**6.13.1** Поврежден или плохо закреплен фильтр-патрон. Проверить фильтр-патрон в фильтр-камере.

**6.13.2** Неисправно уплотнение на дверце фильтр-камеры. Проверить уплотнение и при необходимости заменить.

## 7. Запасные части

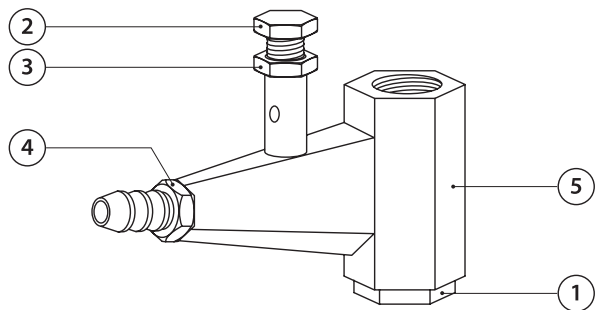
### 7.1. Пистолет абразивоструйный GX

**Рис. 7.1.** Пистолет эжекторный GX  
в разборе общий вид



№ поз.	Код заказа	Описание	кол-во
	10115300	Пистолет GX	
1	10115313	Прижимная гайка	1
2	10115312	Кольцо резиновое	1
3	10115508	Сопло карбид вольфрама GXT-8.0 (стандарт)	1
4	10115304	Корпус пистолета	1
5	10115307	Форсунка пистолета Ø 4,0 мм (стандарт)	1
6	10115309	Гайка фиксирующая	1
7	10115310	Фитинг латунь, накидная гайка на рукав ВД 13 мм	1
8	10115311	Фитинг латунь, 6 ½"х Елка на рукав ВД 13 мм	1

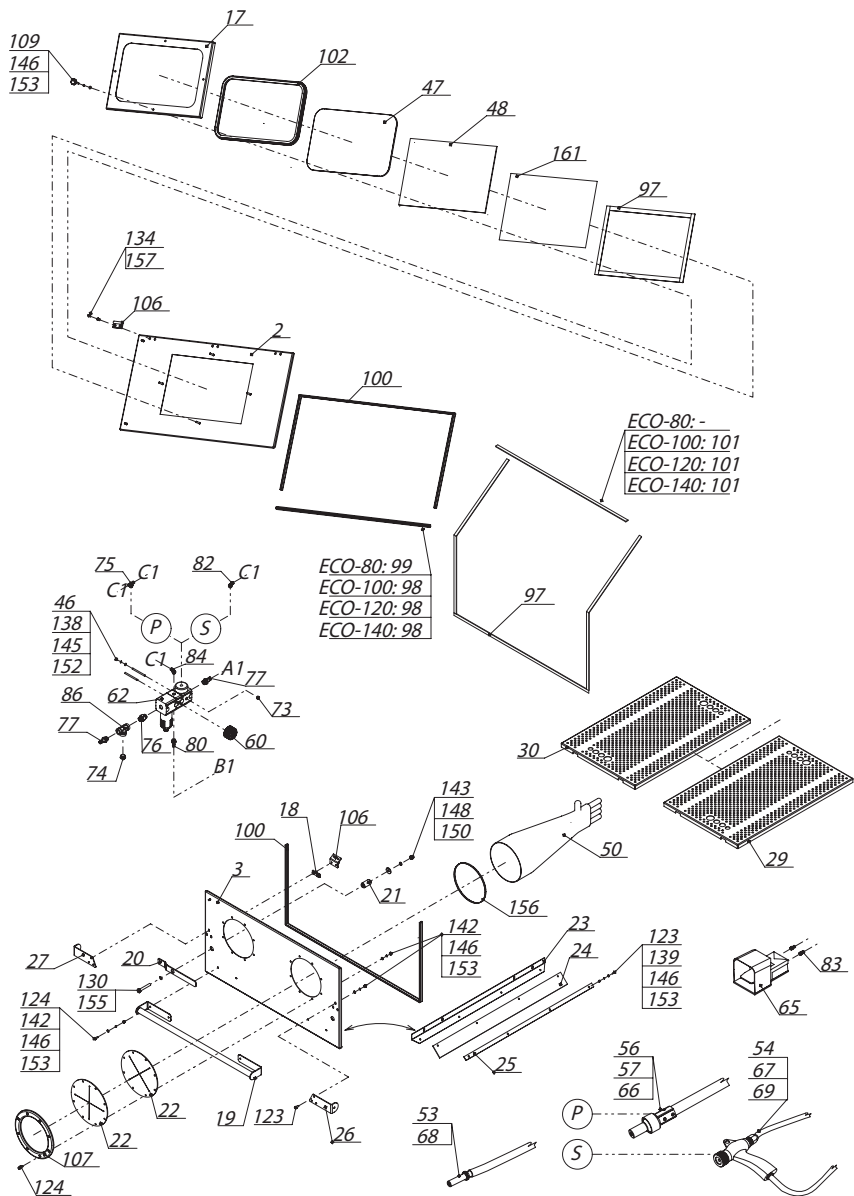
## 7.2. Дозатор абразива



**Рис. 7.2.** Дозатор абразива общий вид

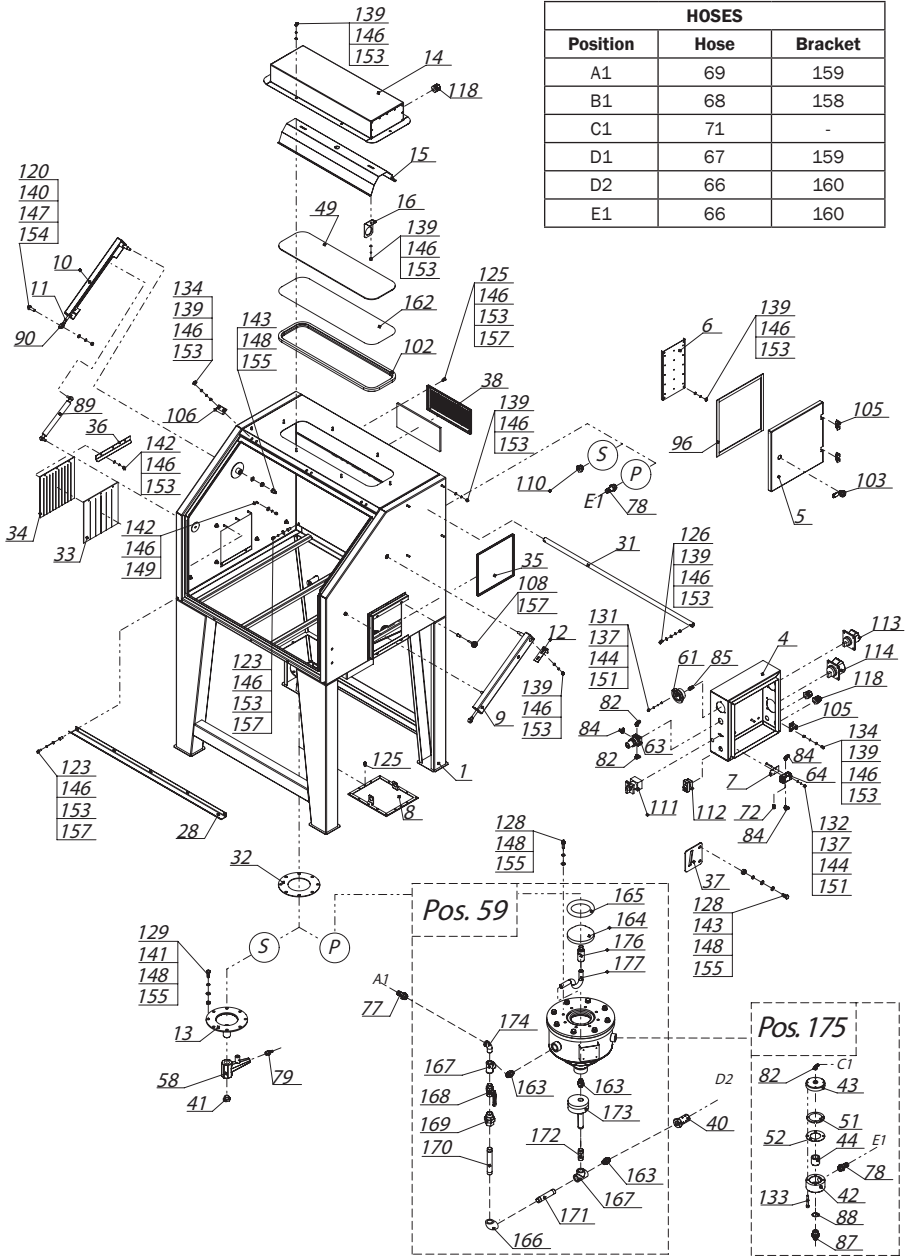
№ поз.	Код заказа	Описание	кол-во
	10115920	Дозатор абразива	1
1	10115921	Гайка	1
2	10115922	Винт регулирующий	1
3	10115923	Гайка фиксирующая	1
4	10115924	Фитинг латунь, G 3/8" на рукав ВД 13 мм	1
5	10115925	Корпус	1

### 7.3. Спецификация кабины



**Рис. 7.3.1.** Общий вид кабины  
ECO-80S/100S/120S/140S

HOSES		
Position	Hose	Bracket
A1	69	159
B1	68	158
C1	71	-
D1	67	159
D2	66	160
E1	66	160





№ поз.	Код заказа	Описание	ECO 80S	ECO 100S	ECO 120S	ECO 140S
1	88000003	Кабина	1			
	88000004	Кабина		1		
	88000005	Кабина			1	
	88000006	Кабина				1
2	81100042	Крышка верхняя	1			
	81100044	Крышка верхняя		1		
	81100046	Крышка верхняя			1	
	89500001	Створка				1
3	81100043	Крышка нижняя	1			
	81100045	Крышка нижняя		1		
	81100047	Крышка нижняя			1	
	89500002	Створка				1
4	83400018	Корпус электроящика	1	1	1	1
5	83100040	Дверь электроящика	1	1	1	1
6	86900009	Монтажная плата	1	1	1	1
7	89300001	Проставка пневмоконцевика	1	1	1	1
8	87100011	Фильтр-сетка	1	1	1	1
9	88300004	Штанга правая		1		
	88300007	Штанга правая			1	
	88300010	Штанга правая в сборе				1
10	88300005	Штанга левая		1		
	88300008	Штанга левая			1	
	88300011	Штанга левая в сборе				1
11	89200001	Тяга	2	2	2	2
12	82100004	Упор	1	1	1	1
13	88700002	Конус	1	1	1	1
14	83400019	Корпус светильника	1	1	1	1
15	82600003	Отражатель лампы	1	1	1	1
16	80600030	Кронштейн лампы	2	2	2	2
17	83900012	Рамка окна	1	1	1	1
18	85800005	Фиксатор петли	2	4	6	8
19	87500005	Рукоятка крышки нижней	1			
	87500004	Рукоятка крышки нижней		1	1	1
20	87500003	Рукоятка запора	2	2	2	2
21	86000003	Втулка запора	2	2	2	2
22	84000004	Штора	4	4	4	4

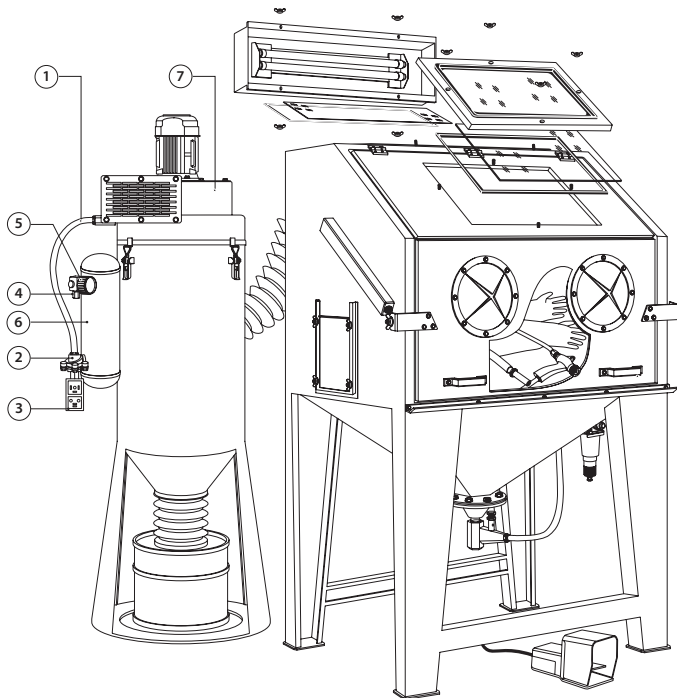
№ поз.	Код заказа	Описание	ECO 80S	ECO 100S	ECO 120S	ECO 140S
23	82400041	Планка	1			
	82400025	Планка		1		
	82400026	Планка двери			1	
	82400027	Планка защитная				1
24	82400042	Резина	1			
	82400043	Резина		1		
	82400044	Резина			1	
	82400040	Резина				1
25	81050002	Прижим	1			
	82400038	Планка прижимная		1		
	82400045	Планка прижимная			1	
	82400039	Планка				1
26	80600018	Кронштейн	1			
	80600021	Кронштейн		1		
	80600023	Кронштейн рычага			1	1
27	80600019	Кронштейн	1			
	80600020	Кронштейн		1		
	80600024	Кронштейн рычага			1	1
28	89100001	Желоб	1			
	89100002	Желоб		1		
	89100003	Желоб			1	
	89100004	Желоб				1
29	88800005	Столешница	1			
	88800007	Столешница		1		
	88800009	Столешница			1	
	88800011	Столешница				1
30	88800006	Столешница	1			
	88800008	Столешница		1		
	88800010	Столешница			1	
	88800012	Столешница				1
31	88300003	Штанга	1			
	88300006	Штанга		1		
	88300009	Штанга			1	
	88300012	Штанга				1
32	88500007	Прокладка	1	1	1	1
33	84000005	Штора	2	2	2	2

№ поз.	Код заказа	Описание	ECO 80S	ECO 100S	ECO 120S	ECO 140S
34	84000006	Штора	2	2	2	2
35	88400002	Заслонка боковины	2	2	2	2
36	82600004	Отражатель боковины	2	2	2	2
37	81400014	Пластина с пазом	2	2	2	2
38	89400002	Карман-решетка	1	1	1	1
39	22020001	Ключ				
40	85800003	Фиксатор шланга				
41	52030002	Пробка	1	1	1	1
42	83400025	Корпус				
43	81100054	Крышка				
44	10100001	Седло				
46	85900002	Шпилька	2	2	2	2
47	22030001	Стекло	1	1	1	1
48	22030002	Стекло	1	1	1	1
49	22030003	Стекло	1	1	1	1
50	10115606	Перчатки	1	1	1	1
51	29000028	Шайба резиновая				
53	10115901	Пистолет обдувочный	1	1	1	1
54	10115300	Пистолет	1	1	1	1
55	10115508	Сопло	1	1	1	1
56	10112551	Сопло				
57	10112209	Соплодержатель				
58	10115920	Дозатор	1	1	1	1
59	22040001	Бак пескоструйный				
60	51202008	Манометр		1	1	1
61	51202010	Манометр	1	1	1	1
62	51203002	Блок	1	1	1	1
63	51201001	Регулятор	1	1	1	1
64	51203007	Пневмоконцевик	1	1	1	1
65	51203003	Педаль	1	1	1	1
66	10112109	Рукав	0	0	0	0
67	41102004	Рукав	1,8	2	2,4	3
68	10130900	Рукав	1,9	2	2,3	2,8
69	41200001	Рукав	4	5,5	6,5	7,5
70	41101003	Рукав	2	2	2	2
71	41101001	Рукав	7,9	8	7,9	9,5

№ поз.	Код заказа	Описание	ECO 80S	ECO 100S	ECO 120S	ECO 140S
72	51204001	Глушитель	1	1	1	1
73	51205003	Заглушка	1	1	1	1
74	51205006	Заглушка	1	1	1	1
75	51100015	Фитинг				
76	51400006	Фитинг	1	1	1	1
77	51300002	Фитинг	2	2	2	2
78	85800006	Фиксатор шланга				
79	51300007	Фитинг	1	1	1	1
80	51300008	Фитинг	1	1	1	1
81	51300009	Фитинг	1	1	1	1
82	51100004	Фитинг	3	3	3	3
83	51100003	Фитинг	2	2	2	2
84	51100004	Фитинг	4	4	4	4
85	51100006	Фитинг	1	1	1	1
86	52070001	Фитинг	1	1	1	1
87	51400010	Фитинг				
88	67000008	Кольцо уплотнительное				
89	51500002	Пневмопружина	2			
	51500003	Пневмопружина		2		
	51500005	Пневмопружина			2	
	51500010	Пневмопружина				2
90	51500013	Наконечник	2	2	2	2
91	90855146	Резиновый ввод	2	2	2	2
92	90855156	Резиновый ввод	4	4	4	4
93	90855166	Резиновый ввод				
94	90855155	Заглушка				
95	90855165	Заглушка	1	1	1	1
96	90407004	Уплотнитель	3,07	3,07	3,07	3,07
97	90407005	Уплотнитель	2,9	2,7	3,2	3,4
98	90401004	Уплотнитель	0,8	0,9	1,1	1,3
99	90401001	Уплотнитель	2,9	2,1	2,1	2,1
100	90401002	Уплотнитель	2,9	3,5	4,2	4,5
101	90401005	Уплотнитель	0,8	0,9	1,1	1,3
102	90406001	Уплотнитель	3,2	3,2	3,2	3,2
103	90201001	Замок	1	1	1	1
104	90203001	Ключ	1	1	1	1

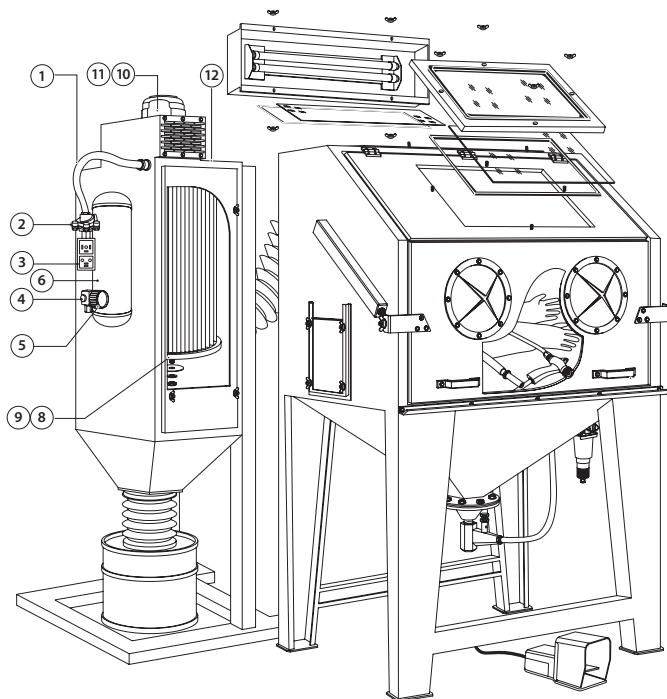
№ поз.	Код заказа	Описание	ECO 80S	ECO 100S	ECO 120S	ECO 140S
105	90202003	Петля	2	2	2	2
106	90202006	Петля	4	5	6	8
107	22140005	Фланец	2	2	2	2
108	90204004	Ручка	8	8	8	8
109	90204006	Ручка	4	4	4	4
110	52030001	Пробка	1	1	1	1
111	32060001	Рубильник	1	1	1	1
112	33070001	Кнопка	1	1	1	1
113	33280003	Розетка	1	1	1	1
114	33280005	Розетка	1	1	1	1
115	33270005	Вилка	1	1	1	1
116	33140003	Лампа	2	2	2	2
117	33140004	Патрон E27	2	2	2	2
118	33030002	Ввод пластиковый	4	4	4	4
119	33030012	Ввод пластиковый	1			
120	61110830	Болт	2	2	2	2
121	61110610	Болт	8	8	8	8
122	61110612	Болт	8	8	8	8
123	61110616	Болт	13	13	13	13
124	61110620	Болт	24	24	30	30
125	61110630	Болт	8	8	8	8
126	61110640	Болт	2	2	2	2
127	61110855	Болт	1	1	1	1
128	61111025	Болт	4	4	4	4
129	61111030	Болт	8	8	8	8
130	61111070	Болт	2	2	2	2
131	62310420	Винт	3	3	3	3
132	62510410	Винт	3	3	3	3
133	62110860	Винт				
134	62310616	Винт	24	24	24	24
135	62510420	Винт	8	8	8	8
136	62804213	Винт				
137	63110004	Гайка	6	6	6	6
138	63110005	Гайка	4	4	4	4
139	63110006	Гайка	46	46	60	60
140	63110008	Гайка	7	9	8	8

№ поз.	Код заказа	Описание	ECO 80S	ECO 100S	ECO 120S	ECO 140S
141	63110010	Гайка	8	10	10	10
142	63300006	Гайка	50	50	50	50
143	63300010	Гайка	8	8	8	8
144	64310004	Шайба	6	6	6	6
145	64310005	Шайба	4	4	2	2
146	64310006	Шайба	112	112	126	126
147	64310008	Шайба	4	6	6	6
148	64310010	Шайба	10	10	10	10
149	64210006	Шайба	26	26	26	26
150	64210010	Шайба	4	4	4	4
151	64110004	Шайба	6	6	6	6
152	64110005	Шайба	4	4	4	4
153	64110006	Шайба	106	106	106	106
154	64110008	Шайба	2	2	2	2
155	64110010	Шайба	24	20	20	20
156	90100001	Хомут ленточный	4	4	4	4
157	66010002	Заклепка	43	43	43	43
158	90100005	Хомут ленточный	2	2	2	2
159	90100006	Хомут ленточный	6	6	6	6
160	90100007	Хомут ленточный				
161	87100014	Сетка внутренняя	1	1	1	1
162	87100015	Сетка светильника	1	1	1	1
163	10110521	Ниппель	3	3	3	3
164	10115315	Уплотнитель	1	1	1	1
165	10115316	Седло	1	1	1	1
166	10110548	Угольник	1	1	1	1
167	10110524	Тройник	2	2	2	2
168	10110525	Кран шаровый	1	1	1	1
169	10110522	Муфта	1	1	1	1
170	10110546	Труба	1	1	1	1
171	10110529	Труба	1	1	1	1
172	10110531	Труба	1	1	1	1
173	10110520	Дозатор абразива	1	1	1	1
174	10110550	Угольник	1	1	1	1
175	51203005	Разгрузочный клапан	1	1	1	1
176	10110532	Шток				
177	82000135	Труба клапана				



**Рис. 7.3.2.** Специальная модель ECO-80SF/100SF/120SF/140SF общий вид

№ поз.	Код заказа	Описание	кол-во
	10117525	Блок импульсной очистки фильтра, комплект для дооснащения DC-370	
1	10151002	AirFlex-19, Рукав сжатого воздуха 19x28 мм, 1 м	0,5 м
2	51203004	Пневмоклапан импульсный 3/4"	1
3	32040001	Таймер управления имп. пневмоклапаном	1
4	51201001	Регулятор давления	1
5	10130404	Манометр 1/8" (в резиновой оболочке)	1
6	88600001	Ресивер импульсной очистки фильтра	1
7	22010301	Лопатка вентилятора DC-370	1

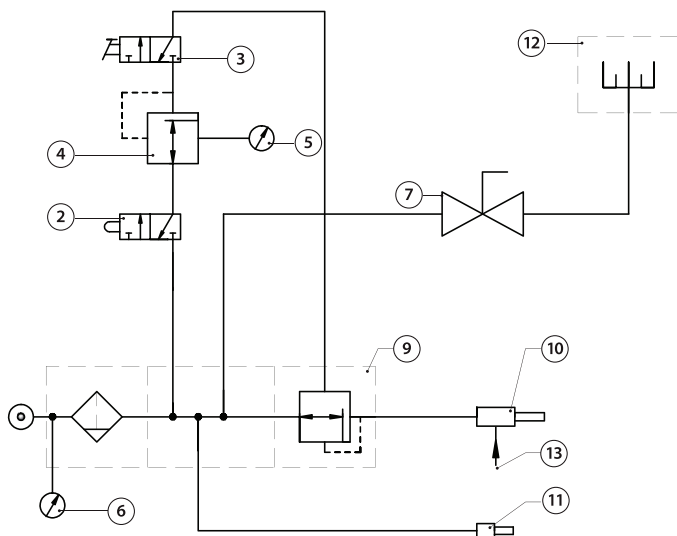


**Рис. 7.3.3.** Специальная модель ECO-80SL/100SL/120SL/140SL общий вид

№ поз.	Код заказа	Описание	кол-во
	10117513	Фильтр-камера DC-550, комплект	
	10117514	Фильтр-камера DC-750, комплект	
1	10151002	AirFlex-19, Рукав сжатого воздуха 19x28 мм, 1 м	0,5 м
2	51203004	Пневмоклапан импульсный 3/4"	1
3	32040001	Таймер управления имп. пневмоклапаном	1
4	51201001	Регулятор давления	1
5	10130404	Манометр 1/8" (в резиновой оболочке)	1
6	88600001	Ресивер импульсной очистки фильтра	1
8	22070103	Фильтр патронный (для DC-550)	1
9	22070104	Фильтр патронный (для DC-750)	1
10	31120002	Электромотор 0,55 кВт для DC-550	1
11	31120003	Электромотор 0,75 кВт для DC-750	1
12	22010101	Лопатка вентилятора для DC-550	1
	22010201	Лопатка вентилятора для DC-750	1

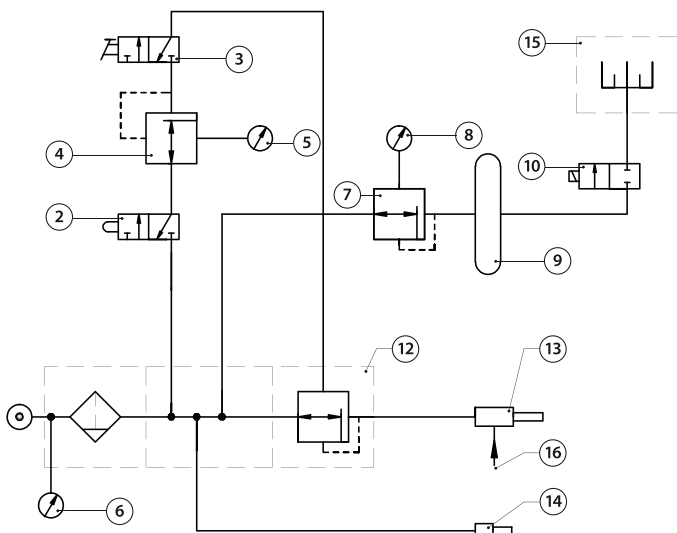


## 7.4. Пневматическая схема



**Рис. 7.4.1.** Пневматическая схема стандартной модели ECO-80S/100S/120S/140S

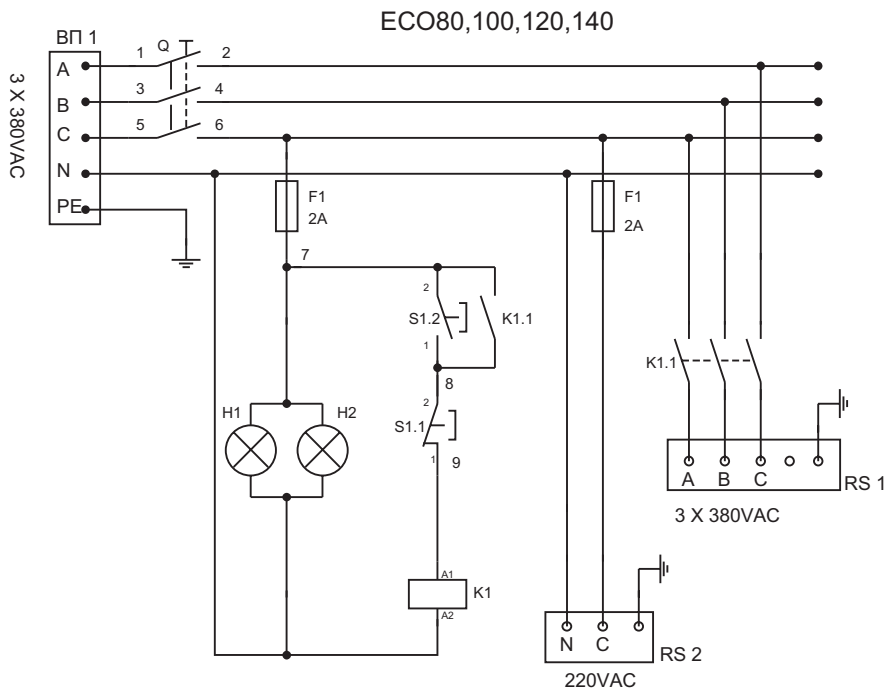
№ поз.	Код заказа	Описание
2	51203007	Пневматический концевой выключатель 1/8"
3	51203003	Педаля пневматическая
4	51201001	Регулятор рабочего давления 1/4"
5	51202010	Манометр 1/8" панельный
6	10130404	Манометр 1/8" (в резиновой оболочке)
7	10110525	Кран шаровой, 1/2", (МП)
9	51203002	Блок
10	10115300	Пистолет ГХ абразивоструйный ручной эжекторный, без сопла
11	10115901	Обдувочное сопло, резина
12	22070106	Фильтр патронный (для DC-370)
13		Линия абразива



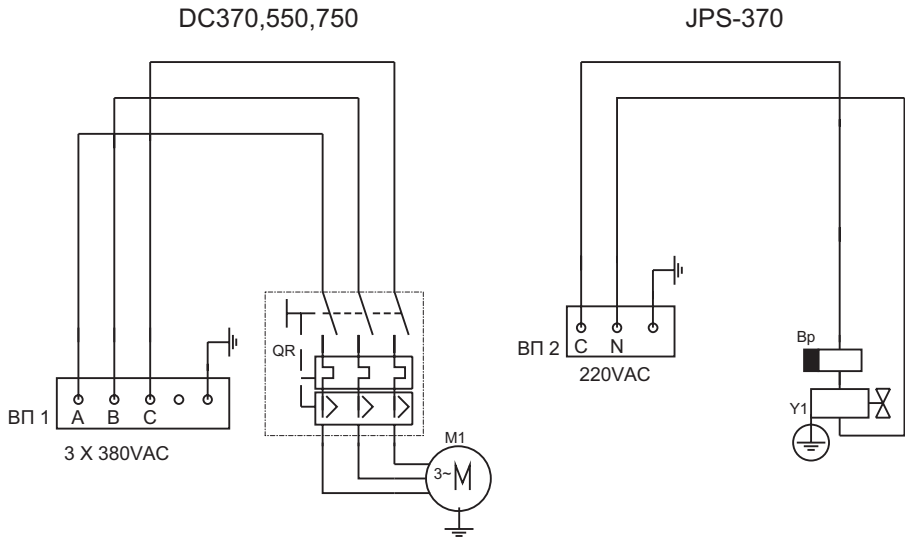
**Рис. 7.4.2.** Пневматическая схема специальной модели  
ECO-80SF/100SF/120SF/140SF/ ECO-80SL/100SL/120SL/140SL

№ поз.	Код заказа	Описание
2	51203007	Пневматический концевой выключатель 1/8"
3	51203003	Педаля пневматическая
4	51201001	Регулятор рабочего давления 1/4"
5	51202010	Манометр 1/8" панельный
6	10130404	Манометр 1/8"(в резиновой оболочке)
7	51201001	Регулятор давления
8	51202008	Манометр 1/4" (в резиновой оболочке)
9	88600001	Ресивер импульсной очистки фильтра
10	51203004	Пневмоклапан импульсный 3/4"
12	51203002	Блок
13	10115300	Пистолет GX абразивоструйный ручной эжекторный, без сопла
14	10115901	Обдувочное сопло, резина
15	22070106	Фильтр патронный (для DC-370)
	22070103	Фильтр патронный (для DC-550)
	22070104	Фильтр патронный (для DC-750)
16		Линия абразива

## 7.5. Электрическая схема



**Рис. 7.5.1.** Электрическая схема ECO-80/100/120/140



**Рис. 7.5.2.** Электрическая схема DC-370/550/750

№ поз.	Код заказа	Описание
K1	35010011	Контактор
S1	33070001	Кнопка двойная ВКЛ./ВЫКЛ.
HS	32060001	Выключатель ручной кулачковый
M	31120001	Электродвигатель DC-370
	31120002	Электродвигатель DC-550
	31120003	Электродвигатель DC-750
Y1	51203004	Пневмоклапан
F	32080002	Предохранитель
RS 1,2	33280005	Розетка
	33280003	Розетка
ВП 1,2	33270005	Вилка
	33270006	Вилка
Bp	32040001	Таймер
QR	32130003	Выключатель автоматический DC-370/550
	32130002	Выключатель автоматический DC-750