

## Supply Pressure Compensator

Model: ZDC...2XJ



- ◆ Size 10, 16
- ◆ Maximum working pressure 350 bar
- ◆ Maximum working flow 150 L/min

### Contents

Function description, sectional drawing	02
Models and specifications	03
Technical parameters	03
Characteristic curve	04
Component size	05

### Features

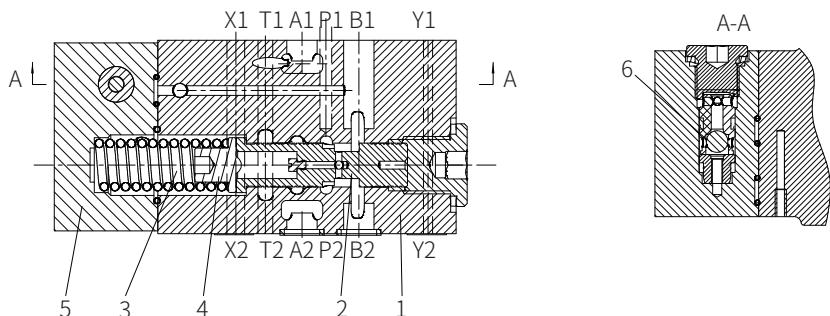
- Sandwich plate type
- Two-way version "P"
- Flow control when work with proportional directional valves
- The mounting surface according to the standard DIN24 340 A

Function description, sectional drawing

The ZDC...-2XJ valve is a direct operated supply pressure compensator with two-way design. It is used as a supply pressure compensator for load compensation in port P.

The valve is mainly composed of the valve body (1), control spool (2), the pressure spring (3) with the spring seat (4), and end cover (5) with the integral shuttle valve (6).

When the differential pressure from P1 to A1 or P1 to B1 is less than 10bar, the compression spring (3) holds the control spool (2) from P2 to P1 in the open position. If the differential pressure exceeds 10bar, the control spool (2) moves to the left until the differential pressure is restored.



Models and specifications

	ZDC	P	-2X	J	/		*	
pressure compensator	=ZDC							more information in text
size 10	=10							sealing material
size 16	=16							NBR seals
two-way (reducing function)	=P							FKM seals
								(consult for other seals)
20 to 29 series			=2X					pilot oil supply
(20 to 29 series installation and connection size unchanged)								supply internal
Rekith				=J				supply external
								supply external
								Oil port X at the valve side closed
								(size 10 only)

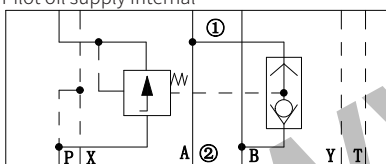
Technical parameters

Working medium	Mineral oil - for NBR seal and FKM seal
	Phosphate ester - for FKM seal
Working medium temperature range °C	-20 to +70
Viscosity range mm <sup>2</sup> /s	10 to 800
Cleanliness of oil	The maximum allowable pollution level of oil is NAS1638 Class7
Working pressure bar	Oil port A, B, P
	350
	Oil port T
	250
	Oil port X
30 to 100	
Oil port Y	150; 30 (together with electro-hydraulic proportional directional valve)
Maximum flow L/min	85 (size 10); 150 (size 16)

Functional symbols

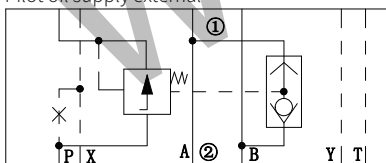
(①= Valve side, ②= Subplate side)

Pilot oil supply internal



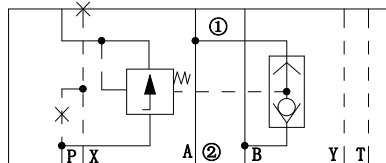
Model ZDC...P-2XJ/...

Pilot oil supply external



Model ZDC...P-2XJ/X

Oil port X at valve side closed (size 10 only)

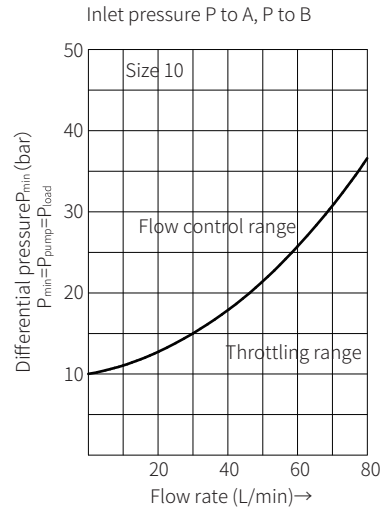
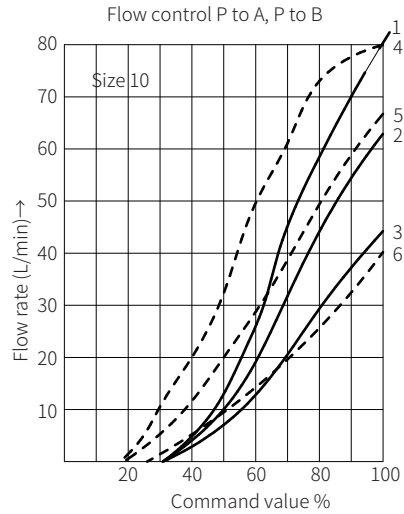


Model ZDC...P-2XJ/XL

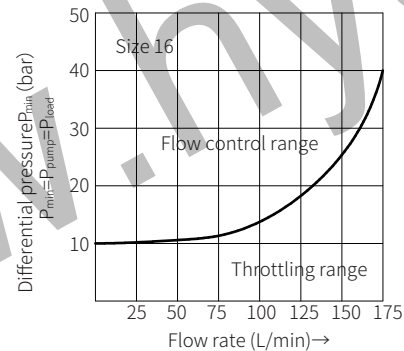
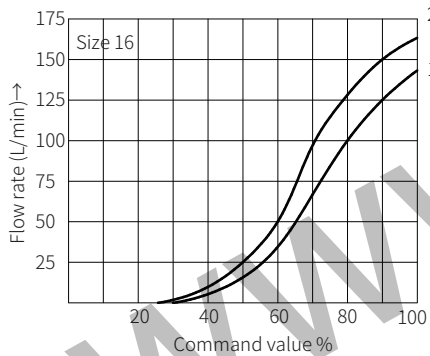
Characteristic curve

Component size

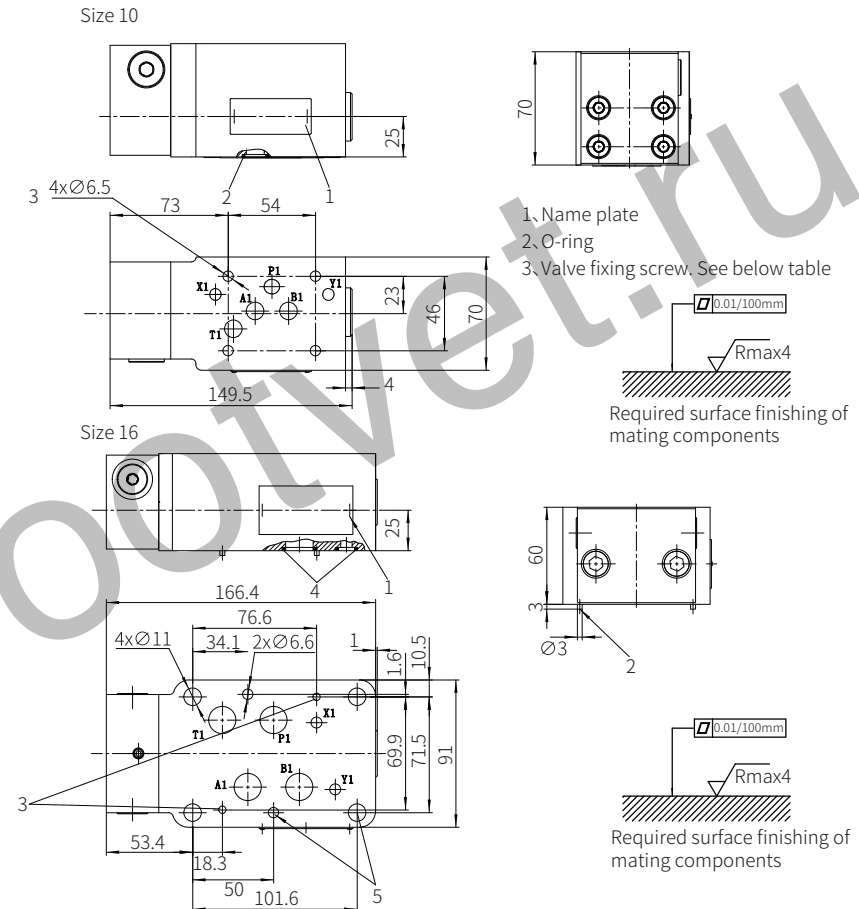
Size unit: mm



1、 For valve model 4WRZ 10...85	4、 For valve model 4WRZ 10...64
2、 For valve model 4WRZ 10...50	5、 For valve model 4WRZ 10...32
3、 For valve model 4WRZ 10...25	6、 For valve model 4WRZ 10...16



1、 For valve model 4WRZ 16...100
2、 For valve model 4WRZ 16...150



1、 Name plate	The fixing screws of the valves must be ordered separately	
2、 Locating pin		
3、 Locating pin hole		
4、 O-ring	Size 10	Size 16
Oil port A2, B2, P2, T2	12x2	21.89x2.62
Oil port X2, Y2	12x2	12x2
Valve fixing screw	Hexagon screw DIN 912-10.9	
For tightening electro-hydraulic proportional directional valve Model WRZ...	4 pcs M6x115 $M_A=15.5Nm$	4 pcs M0x120 $M_A=75Nm$
	—	2 pcs M6x120
For tightening proportional directional valve Model WRE...	—	$M_A=15.5Nm$
	4 pcs M6x120 $M_A=15.5Nm$	—