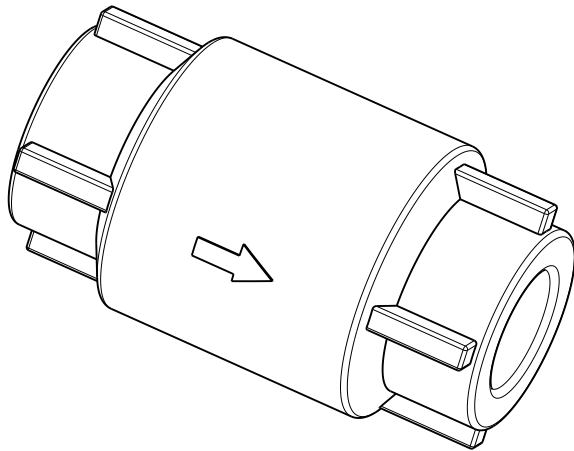
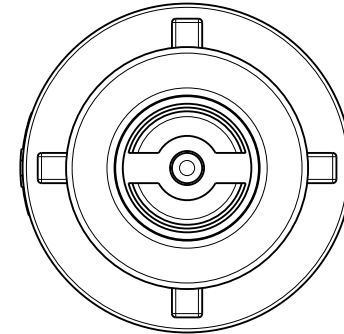
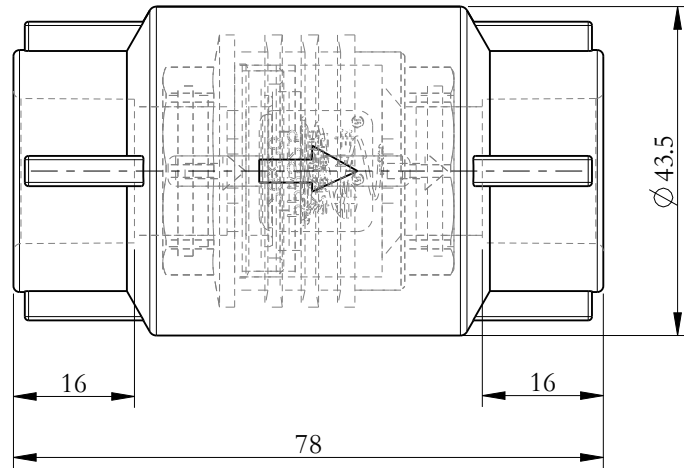


Revision No. A.1



						Material				RIIFO	
Mark	Qty	Change Record		AUTH	Date		Frame	Projection	Unit		NW(g)
★		Critical Dim.	Proofread by	Caohuijian		A4		mm	178g	1: 1	1100053437
()		Reference Dim.	Checked by	Diaozhenbin							
		Drawn by	Zhangmingyang	Approved by	Linxiyong	Sheet 1		Of 1			
		Process designed by	Chenyongde	Date	2023.08.30						