

HIKOKI

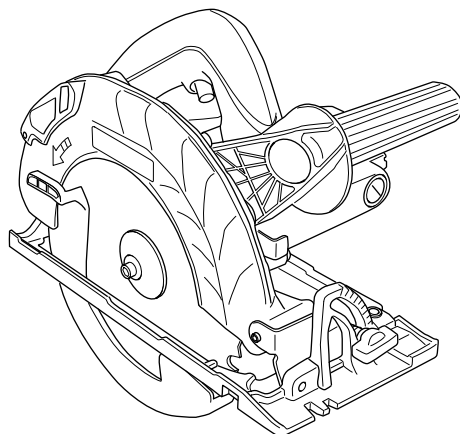
Circular Saw

Циркулярна пилка

Циркулярлық ара

Циркулярная пила

C 6SS • C 7SS



Read through carefully and understand these instructions before use.

Будь ласка, прочитайте інструкції і перевірте себе, чи все зрозуміло, перш ніж користуватися приладом. Пайдалану алдында осы нұсқауларды мұқият оқып шығыңыз және түсінізіз.

Внимательно прочтите данную инструкцию по эксплуатации прежде чем пользоваться инструментом.

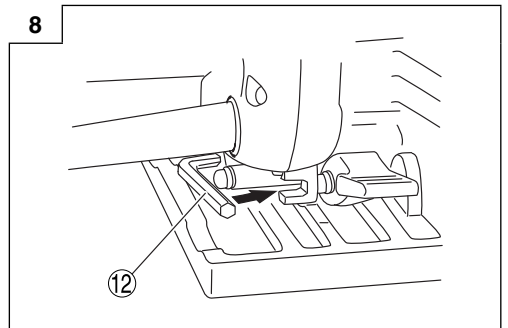
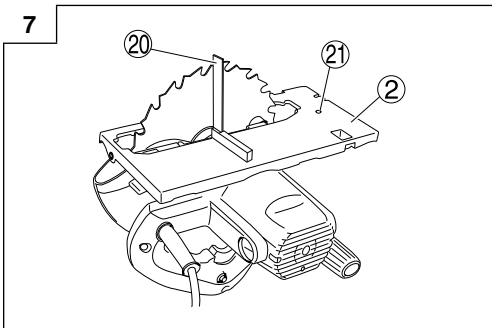
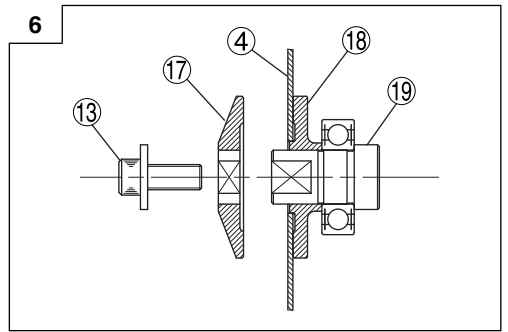
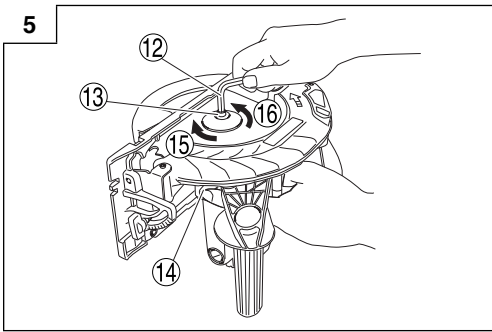
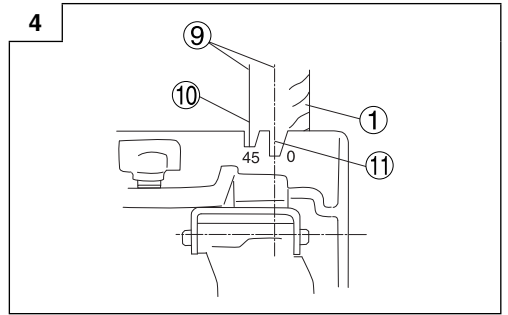
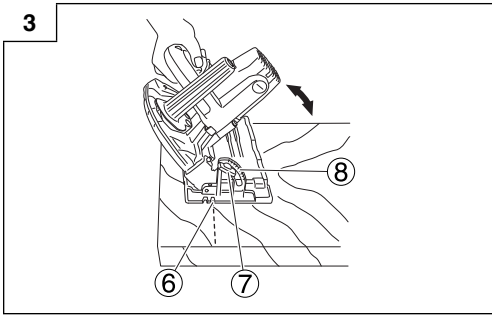
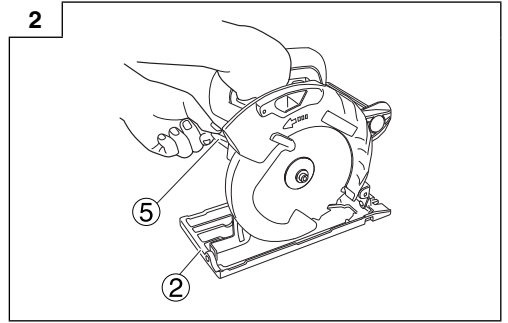
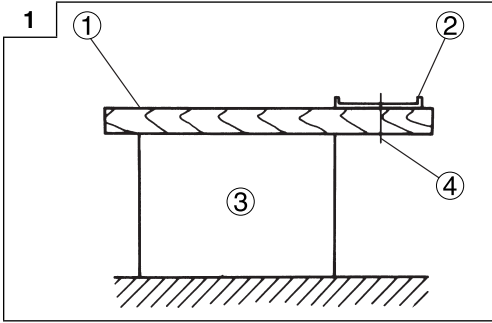


Handling instructions

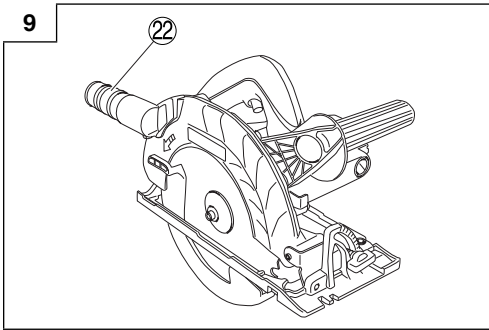
Інструкції щодо поводження з пристроєм

Пайдалану туралы нұсқаулар

Инструкция по эксплуатации











9



	English	Український
①	Lumber	Пиломатеріал
②	Base	Підстава
③	Workbench	Верстак
④	Saw blade	Ріжучий диск
⑤	Lever (A)	Важіль (A)
⑥	Cutting position at 45°	Положення різання при 45° (градусах)
⑦	Wing-bolt	Барашковий болт
⑧	Scale	Шкала
⑨	Marking-off-line	Лінія розмітки для відрізання
⑩	Front scale at 45° incline	Передня шкала при нахилі 45°
⑪	Front scale when not inclined	Передня шкала без нахилу
⑫	Hex. bar wrench	Шестигранний ключ
⑬	Hexagonal-socket bolt	Болт для шестигранного ключа
⑭	Depress the lock lever	Натисніть важіль блокування
⑮	Tighten	Затягнути
⑯	Loosen	Послабити
⑰	Washer (B)	Шайба (B)
⑱	Washer (A)	Шайба (A)
⑲	Spindle	Шпindel
⑳	Square	Квадрат
㉑	Slotted set screw	Настановний гвинт з прокольними шліцями
㉒	Dust collector	Пиловловлювач

	Қазақстан	Русский
①	Ағаш материал	Пиломатериал
②	Негіз	Основание
③	Верстак	Верстак
④	Ара полотносы	Режущий диск
⑤	Тұтқа (А)	Рычаг (А)
⑥	45° бұрышында кесу күйі	Положение резания при 45° (градусах)
⑦	Құлақты бұрандама	Барашковый болт
⑧	Шкала	Шкала
⑨	Белгілеу сызығы	Линия разметки для отрезания
⑩	45° көлбеу кезіндегі алдыңғы шкала	Передняя шкала при наклоне 45°
⑪	Көлбеу жоқ кездегі алдыңғы шкала	Передняя шкала без наклона
⑫	Алты қырлы кілт	Шестигранный ключ
⑬	Алты қырлы ұяшығы бар бұрандама	Болт для шестигранного ключа
⑭	Құлыптау иінтірегін басыңыз	Нажмите рычаг блокировки
⑮	Тартыңыз	Затянуть
⑯	Босатыңыз	Ослабить
⑰	Шайба (В)	Шайба (В)
⑱	Шайба (А)	Шайба (А)
⑲	Шпиндель	Шпиндель
⑳	Шаршы	Квадрат
㉑	Оймакілтекті орнату бұрандасы	Установочный винт с продольными шлицами
㉒	Шаң жинағыш	Пылеуловитель

	<p>Symbols ⚠ WARNING The following show symbols used for the machine. Be sure that you understand their meaning before use.</p>	<p>Символи ⚠ ПОПЕРЕДЖЕННЯ Тут показані символи, використані в керівництві. Будь ласка, переконайтеся, що правильно розумієте їхнє значення.</p>
	<p>To reduce the risk of injury, user must read instruction manual Failure to follow the warnings and instructions may result in electric shock, fire and/or serious injury.</p>	<p>Щоб зменшити ризик отримання травми, користувач повинен прочитати інструкції з експлуатації. Невиконання цих правил та інструкцій може призвести до удару струмом, пожежі та/або серйозної травми.</p>
	<p>Always wear eye protection.</p>	<p>Завжди носіть захисні окуляри.</p>
	<p>Always wear hearing protection.</p>	<p>Завжди надягайте засоби захисту органів слуху.</p>
	<p>Only for EU countries Do not dispose of electric tools together with household waste material! In observance of European Directive 2002/96/EC on waste electrical and electronic equipment and its implementation in accordance with national law, electric tools that have reached the end of their life must be collected separately and returned to an environmentally compatible recycling facility.</p>	<p>Лише для країн ЄС НЕ викидайте електричні інструменти із побутовими відходами! Згідно Європейської Директиви 2002/96/EC про відходи електронного та електричного виробництва і її запровадження згідно місцевих законів, електроінструменти, які відслужили робочий строк слід утилізувати окремо і повертати до установ, що займаються екологічною переробкою брухту.</p>

	<p>Таңбалар ⚠ ЕСКЕРТУ Төменде құрылғы үшін пайдаланылған таңбалар көрсетілген. Пайдалану алдында олардың мағынасын түсініп алыңыз.</p>	<p>Символи ⚠ ПРЕДУПРЕЖДЕНИЕ Ниже приведены символы, используемые для машины. Перед началом работы обязательно убедитесь в том, что Вы понимаете их значение.</p>
	<p>Жарақат алу қаупін азайту үшін пайдаланушы қолдану нұсқаулығын оқуы керек Ескертулер мен нұсқауларды ескермеу тоқ соғуына, өртке және/немесе ауыр жарақатқа әкелуі мүмкін.</p>	<p>Чтобы уменьшить опасность получения травм, пользователь должен прочитать руководство по эксплуатации. Не выполнение правил и инструкций может привести к поражению электрическим током, пожару и/или серьезной травме.</p>
	<p>Әрқашан көзді қорғау құралын киіңіз.</p>	<p>Всегда надевайте средства защиты глаз.</p>
	<p>Әрқашан құлақтарды қорғау құралын киіңіз.</p>	<p>Всегда надевайте средства защиты органов слуха.</p>
	<p>Тек ЕО елдері үшін Электр құралдарды тұрмыстық қоқыс материалымен бірге қоқысқа лақтыруға болмайды! Қоқыс тұрмыстық электр және электрондық жабдық туралы 2002/96/ЕС еуропалық директивасына және оның ұлттық заңнамаға сай ендірілуіне сай, қызмет көрсету мерзімінің соңына жеткен электр құралдарды бөлек жинау және қоршаған ортаға зиянды емес қайта өңдеу мекемесіне қайтару керек.</p>	<p>Только для стран ЕС Не выкидывайте электроприборы вместе с обычным мусором! В соответствии с европейской директивой 2002/96/ЕС об утилизации старых электрических и электронных приборов и в соответствии с местными законами электроприборы, бывшие в эксплуатации, должны утилизироваться отдельно безопасным для окружающей среды способом.</p>

GENERAL POWER TOOL SAFETY WARNINGS**⚠ WARNING**

Read all safety warnings and all instructions.

Failure to follow the warnings and instructions may result in electric shock, fire and/or serious injury.

Save all warnings and instructions for future reference.
The term "power tool" in the warnings refers to your mains-operated (corded) power tool or battery-operated (cordless) power tool.

1) Work area safety

- a) **Keep work area clean and well lit.**
Cluttered or dark areas invite accidents.
- b) **Do not operate power tools in explosive atmospheres, such as in the presence of flammable liquids, gases or dust.**
Power tools create sparks which may ignite the dust or fumes.
- c) **Keep children and bystanders away while operating a power tool.**
Distractions can cause you to lose control.

2) Electrical safety

- a) **Power tool plugs must match the outlet. Never modify the plug in any way. Do not use any adapter plugs with earthed (grounded) power tools.**
Unmodified plugs and matching outlets will reduce risk of electric shock.
- b) **Avoid body contact with earthed or grounded surfaces, such as pipes, radiators, ranges and refrigerators.**
There is an increased risk of electric shock if your body is earthed or grounded.
- c) **Do not expose power tools to rain or wet conditions.**
Water entering a power tool will increase the risk of electric shock.
- d) **Do not abuse the cord. Never use the cord for carrying, pulling or unplugging the power tool. Keep cord away from heat, oil, sharp edges or moving parts.**
Damaged or entangled cords increase the risk of electric shock.
- e) **When operating a power tool outdoors, use an extension cord suitable for outdoor use.**
Use of a cord suitable for outdoor use reduces the risk of electric shock.
- f) **If operating a power tool in a damp location is unavoidable, use a residual current device (RCD) protected supply.**
Use of an RCD reduces the risk of electric shock.

3) Personal safety

- a) **Stay alert, watch what you are doing and use common sense when operating a power tool. Do not use a power tool while you are tired or under the influence of drugs, alcohol or medication.**
A moment of inattention while operating power tools may result in serious personal injury.
- b) **Use personal protective equipment. Always wear eye protection.**
Protective equipment such as dust mask, non-skid safety shoes, hard hat, or hearing protection used for appropriate conditions will reduce personal injuries.
- c) **Prevent unintentional starting. Ensure the switch is in the off-position before connecting to power source and/or battery pack, picking up or carrying the tool.**

Carrying power tools with your finger on the switch or energising power tools that have the switch on invites accidents.

- d) **Remove any adjusting key or wrench before turning the power tool on.**
A wrench or a key left attached to a rotating part of the power tool may result in personal injury.
 - e) **Do not overreach. Keep proper footing and balance at all times.**
This enables better control of the power tool in unexpected situations.
 - f) **Dress properly. Do not wear loose clothing or jewellery. Keep your hair, clothing and gloves away from moving parts.**
Loose clothes, jewellery or long hair can be caught in moving parts.
 - g) **If devices are provided for the connection of dust extraction and collection facilities, ensure these are connected and properly used.**
Use of dust collection can reduce dust-related hazards.
- 4) Power tool use and care**
- a) **Do not force the power tool. Use the correct power tool for your application.**
The correct power tool will do the job better and safer at the rate for which it was designed.
 - b) **Do not use the power tool if the switch does not turn it on and off.**
Any power tool that cannot be controlled with the switch is dangerous and must be repaired.
 - c) **Disconnect the plug from the power source and/or the battery pack from the power tool before making any adjustments, changing accessories, or storing power tools.**
Such preventive safety measures reduce the risk of starting the power tool accidentally.
 - d) **Store idle power tools out of the reach of children and do not allow persons unfamiliar with the power tool or these instructions to operate the power tool.**
Power tools are dangerous in the hands of untrained users.
 - e) **Maintain power tools. Check for misalignment or binding of moving parts, breakage of parts and any other condition that may affect the power tool's operation.**
If damaged, have the power tool repaired before use.
Many accidents are caused by poorly maintained power tools.
 - f) **Keep cutting tools sharp and clean.**
Properly maintained cutting tools with sharp cutting edges are less likely to bind and are easier to control.
 - g) **Use the power tool, accessories and tool bits etc. in accordance with these instructions, taking into account the working conditions and the work to be performed.**
Use of the power tool for operations different from those intended could result in a hazardous situation.
- 5) Service**
- a) **Have your power tool serviced by a qualified repair person using only identical replacement parts.**
This will ensure that the safety of the power tool is maintained.

PRECAUTION

Keep children and infirm persons away.

When not in use, tools should be stored out of reach of children and infirm persons.

CIRCULAR SAW SAFETY WARNINGS

Cutting procedures

- a) **⚠ DANGER: Keep hands away from cutting area and the blade. Keep your second hand on auxiliary handle, or motor housing.**

If both hands are holding the saw, they cannot be cut by the blade.

- b) **Do not reach underneath the workpiece.**

The guard cannot protect you from the blade below the workpiece.

- c) **Adjust the cutting depth to the thickness of the workpiece.**

Less than a full tooth of the blade teeth should be visible below the workpiece.

- d) **Never hold piece being cut in your hands or across your leg. Secure the workpiece to a stable platform.**

It is important to support the work properly to minimize body exposure, blade binding, or loss of control.

- e) **Hold the power tool by insulated gripping surfaces only, when performing an operation where the cutting tool may contact hidden wiring or its own cord.**

Contact with a "live" wire will also make exposed metal parts of the power tool "live" and could give the operator an electric shock.

- f) **When ripping always use a rip fence or straight edge guide.**

This improves the accuracy of cut and reduces the chance of blade binding.

- g) **Always use blades with correct size and shape (diamond versus round) of arbour holes.**

Blades that do not match the mounting hardware of the saw will run eccentrically, causing loss of control.

- h) **Never use damaged or incorrect blade washers or bolt.**

The blade washers and bolt were specially designed for your saw, for optimum performance and safety of operation.

Kickback causes and related warnings

- kickback is a sudden reaction to a pinched, bound or misaligned saw blade, causing an uncontrolled saw to lift up and out of the workpiece toward the operator;
- when the blade is pinched or bound tightly by the kerf closing down, the blade stalls and the motor reaction drives the unit rapidly back toward the operator;
- if the blade becomes twisted or misaligned in the cut, the teeth at the back edge of the blade can dig into the top surface of the wood causing the blade to climb out of the kerf and jump back toward the operator.

Kickback is the result of saw misuse and/or incorrect operating procedures or conditions and can be avoided by taking proper precautions as given below.

- a) **Maintain a firm grip with both hands on the saw and position your arms to resist kickback forces. Position your body to either side of the blade, but not in line with the blade.**

Kickback could cause the saw to jump backwards, but kickback forces can be controlled by the operator, if proper precautions are taken.

- b) **When blade is binding, or when interrupting a cut for any reason, release the trigger and hold the saw motionless in the material until the blade comes to a complete stop.**

Never attempt to remove the saw from the work or pull the saw backward while the blade is in motion or kickback may occur.

Investigate and take corrective actions to eliminate the cause of blade binding.

- c) **When restarting a saw in the workpiece, centre the saw blade in the kerf and check that saw teeth are not engaged into the material.**

If saw blade is binding, it may walk up or kickback from the workpiece as the saw is restarted.

- d) **Support large panels to minimise the risk of blade pinching and kickback.**

Large panels tend to sag under their own weight. Supports must be placed under the panel on both sides, near the line of cut and near the edge of the panel.

- e) **Do not use dull or damaged blades.**

Unsharpened or improperly set blades produce narrow kerf causing excessive friction, blade binding and kickback.

- f) **Blade depth and bevel adjusting locking levers must be tight and secure before making cut.**

If blade adjustment shifts while cutting, it may cause binding and kickback.

- g) **Use extra caution when sawing into existing walls or other blind areas.**

The protruding blade may cut objects that can cause kickback.

Lower guard function

- a) **Check lower guard for proper closing before each use. Do not operate the saw if lower guard does not move freely and close instantly. Never clamp or tie the lower guard into the open position.**

If saw is accidentally dropped, lower guard may be bent.

Raise the lower guard with the retracting handle and make sure it moves freely and does not touch the blade or any other part, in all angles and depths of cut.

- b) **Check the operation of the lower guard spring. If the guard and the spring are not operating properly, they must be serviced before use.**

Lower guard may operate sluggishly due to damaged parts, gummy deposits, or a build-up of debris.

- c) **Lower guard may be retracted manually only for special cuts such as "plunge cuts" and "compound cuts". Raise lower guard by retracting handle and as soon as blade enters the material, the lower guard must be released.**

For all other sawing, the lower guard should operate automatically.

- d) **Always observe that the lower guard is covering the blade before placing saw down on bench or floor.**

An unprotected, coasting blade will cause the saw to walk backwards, cutting whatever is in its path.

Be aware of the time it takes for the blade to stop after switch is released.

PRECAUTIONS ON USING CIRCULAR SAW

1. Do not use saw blades which are deformed or cracked.
2. Do not use saw blades made of high speed steel.
3. Do not use saw blades which do not comply with the characteristics specified in these instructions.
4. Do not stop the saw blades by lateral pressure on the disc.
5. Always keep the saw blades sharp.
6. Ensure that the lower guard moves smoothly and freely.
7. Never use the circular saw with its lower guard fixed in the open position.
8. Ensure that the retraction mechanism of the guard system operates correctly.

9. Never operate the circular saw with the saw blade turned upward or to the side.
10. Ensure that the material is free of foreign matters such as nails.
11. For model C6SS, the saw blades range should be from 165 mm to 160 mm.
For model C7SS, the saw blades range should be from 190 mm to 185 mm.
12. Disconnect the plug from the receptacle before carrying out any adjustment, servicing or maintenance.

SPECIFICATIONS

Model	C6SS		C7SS
Voltage (by areas)*	230 V ~		
Cutting Depth	90°	57 mm	68 mm
	45°	38 mm	46 mm
Power Input*	1050 W		
No-Load Speed	5500 min ⁻¹		
Weight (without cord)	3.2 kg		3.4 kg

* Be sure to check the nameplate on product as it is subject to change by areas.

STANDARD ACCESSORIES

- (1) Saw Blade (mounted on tool) 1
 (Dia. 165 mm C6SS)
 (Dia. 190 mm C7SS)
- (2) Hex. Bar wrench 1

Standard accessories are subject to change without notice.

OPTIONAL ACCESSORIES (sold separately)

- (1) Dust Collector Set (D)
Connect the suction hose to collect saw dust with the vacuum cleaner (see Fig. 9).
- (2) Washer (A)
..... for 20 mm (Hole dia. of saw blade)
..... for 30 mm (Hole dia. of saw blade)
- (3) Guide (with wing-bolt)

Optional accessories are subject to change without notice.

APPLICATION

Cutting various types of wood.

PRIOR TO OPERATION

- 1. Power source**
Ensure that the power source to be utilized conforms to the power requirements specified on the product nameplate.
- 2. Power switch**
Ensure that the power switch is in the OFF position. If the plug is connected to a receptacle while the power switch is in the ON position, the power tool will start operating immediately, which could cause a serious accident.
- 3. Extension cord**
When the work area is removed from the power source, use an extension cord of sufficient thickness and rated capacity. The extension cord should be kept as short as practicable.
- 4. Prepare a wooden workbench (Fig. 1)**
Since the saw blade will extend beyond the lower surface of the lumber, place the lumber on a workbench when cutting. If a square block is utilized as a workbench, select level ground to ensure it is properly stabilized. An unstable workbench will result in hazardous operation.

CAUTION

To avoid possible accident, always ensure that the portion of lumber remaining after cutting is securely anchored or held in position.

5. How to store the hex. bar wrench (Fig. 8)

The hex. bar wrench used for attaching and detaching the saw blade can be stored in the handle.

ADJUSTING THE POWER TOOL PRIOR TO USE

1. Adjusting the cutting depth

The cutting depth can be adjusted by moving the base after loosening its lever (A) (Fig. 2).

CAUTION

Should this lever (A) remain loosened, it will create a very hazardous situation. Always thoroughly clamp it.

2. Adjusting the angle of inclination

By loosening the wing bolt at the scale, the saw blade can be tilted up to maximum angle of 45° against the base (Fig. 3).

The angle of inclination can also be regulated by loosening the wing bolt at the scale (Fig. 3).

CAUTION

It is very hazardous to allow this wing bolt to remain loosened. Always thoroughly clamp it.

3. Regulating the guide (Optional accessory)

The cutting position can be regulated by moving the guide to the left or right after loosening its wing bolt. The guide can be mounted on either the left or the right side.

CUTTING PROCEDURES

1. Place the saw body (base) on the lumber, and align the cutting line with the saw blade at the front scale (Fig. 4).
2. Turn ON the switch before the saw blade contacts the lumber. The switch is turned ON when the trigger is squeezed, and turned OFF when the trigger is released.

CAUTIONS

Prior to cutting operation, make sure the material you are going to cut. If the material to be cut is expected to generate harmful / toxic dusts, make sure the dust bag or appropriate dust extraction system is connected with dust outlet tightly. Wear the dust mask additionally, if available.

- Before starting to saw, confirm that the saw blade has attained full-speed revolution.

- Should the saw blade stop or make an abnormal noise while operating, promptly turn OFF the switch.
- Always take care in preventing the power cord from coming near to the revolving saw blade.
- Using the circular saw with the saw blade facing upwards or sideways is very hazardous. Such uncommon applications should be avoided.
- When cutting materials, always wear protective glasses.
- When finished with a job, pull out the plug from the receptacle.

MOUNTING AND DISMOUNTING THE SAW BLADE

CAUTION

To avoid serious accident, ensure the switch is in the OFF position, and the power source is disconnected.

1. Dismounting the saw blade

- (1) Set the cutting volume at maximum, and place the Circular Saw as shown in Fig. 5.
- (2) Depress the lock lever, lock the spindle, and remove the hexagonal-socket bolt with the hex. bar wrench.
- (3) While holding the lower guard lever to keep the lower guard fully retracted into the saw cover, remove the saw blade.

2. Mounting the Saw Blade

- (1) Thoroughly remove any sawdust which has accumulated on the spindle, bolt and washers.
- (2) As shown in Fig. 6, the side of Washer (A) with a projected center the same diameter as the inner diameter of the saw blade and the concave side of Washer (B) must be fitted to the saw blade sides.

* Washer (A) is supplied for 2 types of saw blades with the hole diameters of 20 mm and 30 mm. (When buying the Circular Saw, one type of washer (A) is supplied.)

In case the hole diameter of your saw blade does not correspond to that of washer (A), please contact the shop where you purchased the Circular Saw.

- (3) To assure proper rotation direction of the saw blade, the arrow direction on the saw blade must coincide with the arrow direction on the saw cover.
- (4) Using the fingers, tighten the hexagonal-socket bolt retaining the saw blade as much as possible. Then depress the lock lever, lock the spindle, and thoroughly tighten the hexagonal-socket bolt.

CAUTION

After having attached the saw blade, reconfirm that the lock lever is firmly secured in the prescribed position.

MAINTENANCE AND INSPECTION

1. Inspecting the saw blade

Since use of a dull saw blade will degrade efficiency and cause possible motor malfunction, sharpen or replace the saw blade as soon as abrasion is noted.

2. Inspecting the mounting screws

Regularly inspect all mounting screws and ensure that they are properly tightened. Should any of the screws be loose, retighten them immediately. Failure to do so could result in serious hazard.

3. Maintenance of the motor

The motor unit winding is the very "heart" of the power tool.

Exercise due care to ensure the winding does not become damaged and/or wet with oil or water.

4. Inspecting the carbon brushes

For your continued safety and electrical shock protection, carbon brush inspection and replacement on this tool should ONLY be performed by a HiKOKI Authorized Service Center.

5. Replacing supply cord

If the replacement of the supply cord is necessary, this has to be done by the manufacturer of this agent in order to avoid a safety hazard.

6. Adjusting the base and saw blade to maintain perpendicularity

The angle between the base and the saw blade has been adjusted to 90°, however should this perpendicularity be lost for some reason, adjust in the following manner:

- (1) Turn the base face up (Fig. 7) and loosen the wing-bolt (Fig. 3).
- (2) Apply a square to the base and the saw blade and turning the slotted set screw with a slotted-head screwdriver, shift the position of the base to produce the desired right angle.

7. Maintenance of the lower guard

For safe and proper working, always keep the machine and ventilation slots clean. The lower guard must always be able to move freely and retract automatically. Therefore, always keep the area around the lower guard clean. Remove dust and chips by blowing out with compressed air or with a brush.

CAUTION

In the operation and maintenance of power tools, the safety regulations and standards prescribed in each country must be observed.

GUARANTEE

We guarantee HiKOKI Power Tools in accordance with statutory/country specific regulation. This guarantee does not cover defects or damage due to misuse, abuse, or normal wear and tear. In case of complaint, please send the Power Tool, undismantled, with the GUARANTEE CERTIFICATE found at the end of this Handling instruction, to a HiKOKI Authorized Service Center.

NOTE

Due to HiKOKI's continuing program of research and development, the specifications herein are subject to change without prior notice.

IMPORTANT:

Correct connection of the plug

The wires of the main lead are coloured in accordance with the following code:

Blue: — Neutral

Brown: — Live

As the colours of the wires in the main lead of this tool may not correspond with the coloured markings identifying the terminals in your plug proceed as follows:

The wire coloured blue must be connected to the terminal marked with the letter N or coloured black. The wire coloured brown must be connected to the terminal marked with the letter L or coloured red. Neither core must be connected to the each terminal.

NOTE:

This requirement is provided according to BRITISH STANDARD 2769: 1984.

Therefore, the letter code and colour code may not be applicable to other markets except The United Kingdom.

Information concerning airborne noise and vibration

The measured values were determined according to EN 60745 and declared in accordance with ISO 4871.

C6SS

Measured A-weighted sound power level: 106 dB(A)
Measured A-weighted sound pressure level: 95 dB(A)
Uncertainty KpA: 3 dB(A)

C7SS

Measured A-weighted sound power level: 106 dB(A)
Measured A-weighted sound pressure level: 95 dB(A)
Uncertainty KpA: 3 dB(A)

Wear hearing protection.

Vibration total values (triax vector sum) determined according to EN60745.

Cutting chipboard:

C6SS

Vibration emission value $a_h = 2.4 \text{ m/s}^2$
Uncertainty K = 1.5 m/s²

C7SS

Vibration emission value $a_h = 5.9 \text{ m/s}^2$
Uncertainty K = 1.5 m/s²

The declared vibration total value has been measured in accordance with a standard test method and may be used for comparing one tool with another.

It may also be used in a preliminary assessment of exposure.

WARNING

- The vibration emission during actual use of the power tool can differ from the declared total value depending on the ways in which the tool is used.
- Identify safety measures to protect the operator that are based on an estimation of exposure in the actual conditions of use (taking account of all parts of the operating cycle such as the times when the tool is switched off and when it is running idle in addition to the trigger time).

(Переклад первинних інструкцій)

**ЗАГАЛЬНІ ІНСТРУКЦІЇ БЕЗПЕКИ
АВТОМАТИЧНОГО ІНСТРУМЕНТУ****⚠ ПОПЕРЕДЖЕННЯ**

Прочитайте всі інструкції та правила безпеки.

Невиконання правил та інструкції може спричинити ураження струмом, пожежу і/або важкі травми.

Збережіть всі інструкції та правила для подальшого користування.

Термін "автоматичний інструмент" у правилах позначає Ваш електричний, що працює від мережі (з дротом), автоматичний інструмент або електричний інструмент, що працює на батареях (бездротовий).

1) Безпека робочого місця

a) **Стежте за чистотою і правильним освітленням робочого місця.**

Захаращені або темні ділянки так і "чекають" на нещасний випадок.

b) **Не працюйте автоматичними інструментами там, де повітря насичене вибухонебезпечними речовинами, тими як горючі рідини, гази або пил.**

Автоматичні інструменти висікають іскри, від яких можуть зайнятися пил або випари.

c) **Під час роботи автоматичним інструментом не підпускайте до себе дітей і просто бачаючих подивитися на Вашу роботу.**

Якщо Вас відволікатимуть, Ви можете втратити контроль над інструментом.

2) Безпека електропристрою

a) **Штепсельна виделка автоматичного інструменту мусить підходити до розетки електромережі.**

Ніколи ніяким чином не змінюйте виделку. Не користуйтеся жодними насадками-адаптерами для заземлених автоматичних інструментів.

Незмінні штепсельні виделки та відповідні їм розетки зменшують ризик удару електрострумом.

b) **Не торкайтеся тілом заземлених предметів або поверхонь, таких як труби, батареї опалення і холодильники.**

Якщо Ви торкнетесь тілом заземленого предмету, це збільшує ризик удару струмом.

c) **Не допускайте, щоб на автоматичні інструменти потрапляли дощ або волога.**

Вода, яка потрапила до автоматичного інструмента, підвищує ризик удару струмом.

d) **Обережно поведіться зі шнуром. Ніколи не несіть інструмент на шнурі, не волочіть його за шнур і не витягайте штепсельну виделку з розетки, тягнучи за шнур.**

Бережіть шнур від тепла, олій, гострих поверхонь та рухомих деталей. Пошкоджені або залпугані шнури збільшують ризик ураження електрострумом.

e) **Працюючи автоматичним інструментом просто неба, користуйтеся подовжувачами, пристосованими для застосування просто неба.**

Користування шнуром, пристосованим до користування просто неба, знижує ризик ураження струмом.

f) **Якщо не уникнути роботи у вологому середовищі, користуйтеся джерелом живлення із пристроєм захисту від замикання на землю.**

Пристрій захисту від замикання на землю знижує ризик удару струмом.

3) Особиста безпека

a) **Не втрачайте пильності, стежте за тим, що робите, і користуйтеся здоровим глуздом під час роботи автоматичним інструментом. Не працюйте автоматичним інструментом, коли Ви втомлені або знаходитесь під дією ліків, алкоголю або наркотинів.**

Мить неуваги під час роботи автоматичним інструментом може спричинити важку травму.

b) **Користуйтеся засобами індивідуального захисту. Завжди вдягайте захисні окуляри. Засоби індивідуального захисту, такі як респіратор, черевики із протекторами, каска або беруші у відповідних умовах зменшать ризик травмування.**

c) **Запобігайте випадковому увімкненню. Переконайтеся, що перемикач знаходиться в положенні "вимкнено", перш ніж підключитися до джерела живлення і/або акумулятора, взятися за інструмент або переносити його.**

Якщо переносити автоматичні інструменти увімкненими або тримаючи палець на перемикачі, це може стати причиною нещасного випадку

d) **Зніміть будь-які регулюючі ключі або блокатори, перш ніж вмикати інструмент.**

Якщо регулюючий ключ або блокатор лишили прикріпленим до частини інструмента, яка обертається, це може спричинити травму.

e) **Не тягніться і не перехиліться, працюючи інструментом. Завжди надійно стійте на ногах і зберігайте рівновагу.**

Це надає кращий контроль над автоматичним інструментом у несподіваних ситуаціях.

f) **Носіть правильний робочий одяг. Не носіть широкий одяг або ювелірні прикраси. Тримайте волосся, одяг і рукавички подалі від рухомих частин.**

Широкий одяг, ювелірні прикраси або довге волосся може потрапити до рухомих частин.

g) **Якщо у робочому приміщенні є витяжка, скористуйтеся нею за умови, що вона правильно підключена і працює.**

Користування витяжкою може знизити небезпеки, пов'язані із накопиченням пилу.

4) Експлуатація і догляд за автоматичним інструментом

a) **Не застосовуйте надмірну силу до автоматичного інструменту. Для виконання різних видів робіт підбирайте відповідні інструменти.**

Правильно підібраний автоматичний інструмент краще виконає роботу і гарантуватиме більше безпеки.

b) **Не користуйтеся автоматичним інструментом, якщо перемикач не працює.**

Будь-який автоматичний інструмент, який неможливо контролювати перемикачем, є небезпечним. Його слід полагодити.

- c) Відключіть виделку з джерела живлення і/або акумулятор від автоматичного інструменту, перш ніж будь-що регулювати, змінювати аксесуари або зберігати автоматичні інструменти.
Ці заходи безпеки знижують ризик випадково увімкнути автоматичний інструмент.
- d) Зберігайте інструменти у місцях, недоступних для дітей, і не дозволяйте людям, не ознайомленим із автоматичними інструментами і цими інструкціями користуватися автоматичним інструментом. Автоматичні інструменти є небезпечними в руках непідготованих користувачів.
- e) Доглядайте за автоматичними інструментами. Перевіряйте, чи не зсунулися і чи не зігнулися рухомі частини, чи не зламалися окремі деталі, а також чи не трапилося якихось небажаних змін, які можуть погано вплинути на роботу інструмента.
Якщо автоматичний інструмент пошкоджений, його слід полагодити перед подальшим користуванням.
Багато нещасних випадків трапляється через поганий догляд за автоматичними інструментами.
- f) Вчасно чистіть і загострюйте інструменти для різання.
Інструменти для різання, за якими правильно доглядають і які вчасно підточують, рідше згинаються, і їх легше контролювати.
- g) Користуйтеся автоматичним інструментом, аксесуарами і насадками згідно цих інструкцій, враховуючи робочі умови та завдання.
Застосовуйте різні автоматичні інструменти для різних видів робіт. Невідповідність інструмента і застосування може створити небезпечну ситуацію.
- 5) Обслуговування
- a) Обслуговувати Ваш автоматичний інструмент може лише кваліфікований технік, замінюючи деталі лише на ідентичні.
Це гарантуватиме безпеку автоматичного інструмента.
- ЗАСТЕРЕЖЕННЯ**
Не підпускайте до інструменту дітей і неповносправних осіб.
Коли інструментом не користуються, його слід зберігати в місцях, недоступних для дітей та неповносправних осіб.
-
- ТЕХНІКА БЕЗПЕКИ КОРИСТУВАННЯ ЦИРКУЛЯРНОЮ ПИЛКОЮ**
-
- Процес різання
- a) **⚠ НЕБЕЗПЕЧНО:** Тримайте руки якомога далі від зони різання і полотна пилки. Тримайте Вашу другу руку на допоміжній рукоятці або на корпусі двигуна.
Якщо утримувати пилку обома руками, руки будуть захищені від порізу полотном пилки.
- b) Не потрапте під оброблюваний виріб.
Запобіжне пристосування не зможе захистити Вас від полотна пилки знизу оброблюваного виробу.
- c) Відрегулюйте глибину різання в залежності від товщини оброблюваного виробу.
Під оброблюваним виробом повинно бути видно не більше, ніж зуб полотна пилки цілком.
- d) Ніколи не тримайте оброблювану деталь в руках або на колінах. Надійно закріплюйте оброблювану деталь на стійкій підставці.
Дуже важливо закріпити оброблюваний виріб належним чином для зменшення небезпеки отримання травми, защемлення полотна або втрати управління.
- e) Тримайте електроінструмент лише за відповідні ручки з ізоляцією, оскільки пилка може зачепити приховані електричні дроти або власний шнур живлення.
Внаслідок контакту із проводами під наругою відкриті металеві частини також опиняться під наругою і можуть стати причиною ураження електричним струмом.
- f) При розрізуванні завжди використовуйте направляючу планку або вертикальну направляючу для країв деталей.
Це поліпшить точність різання і зменшить ймовірність защемлення полотна.
- g) Завжди використовуйте полотна належного розміру і форми (ромб або коло) відповідно до отворів оправки.
Полотна, які не відповідатимуть деталям оснастки пилки, будуть переміщатися зі зміщенням щодо центру, приводячи до втрати управління.
- h) Ніколи не використовуйте ушкоджені або невідповідні для полотна шайби або болт.
Шайби і болт для полотна були розроблені спеціально для Вашої пилки для отримання оптимальних експлуатаційних характеристик та безпеки при експлуатації.
- Причини зворотного удару та пов'язані з цим застереження**
- Віддача – це раптова відповідна дія на защемлення, обмеження ходу або перекіс полотна пилки, і стане причиною некерованого переміщення пилки вгору і виходу з оброблюваної деталі у напрямку до оператора;
 - При щільному защемленні або тугому обмеженні ходу при звуженні пропила, полотно застрягне, а двигун внаслідок віддачі швидко направить апарат у зворотний бік у напрямку до оператора;
 - Якщо полотно скривиться або перекинеться всередині пропила, то може статися заїдання зубів на задній кромці полотна у верхній частині дерев'яної поверхні, що стане причиною підйому полотна вгору з пропиком і стрибка назад у напрямку до оператора.
- Віддача є результатом неправильної експлуатації пилки і/або порушення техніки виконання робіт або технічного стану, і її можна уникнути, приймаючи належні заходи безпеки, які наведені нижче.

- a) Міцно утримуйте пилку обома руками і розташуйте руки в такому положенні, що дозволить протидіяти силам віддачі. Встаньте так, щоб Ваше тіло перебувало з будь-якої зі сторін щодо полотна пилки, але не на одній лінії з полотном.

Віддача може стати причиною стрибка пилки в зворотному напрямку, але оператор не повинен втратити здатність керування внаслідок дії сил віддачі, і бути спроможним вжити належні заходи безпеки.

- b) При викривленні полотна, або при перериванні процесу різання з якої-небудь причини, відпустіть пускач і утримуйте пилку нерухомо в матеріалі до тих пір, поки полотно повністю не зупиниться. Ніколи не намагайтеся виняти пилку з деталі або потягнути пилку в зворотному напрямку у той час, коли полотно перебуває в русі, інакше може послідувати віддача.

Виявити причину викривлення і зробити необхідні дії для усунення причини викривлення.

- c) При повторному запуску двигуна, коли полотно пилки знаходиться всередині пропилу оброблюваної деталі, вирівняйте полотно в пропили і перевірте, чи не застрягли зуби пилки у матеріалі.

Якщо полотно пилки скривиться, віддача може подіяти на оброблювану деталь у будь-якому напрямку при повторному запуску двигуна пилки.

- d) Надійно підтримуйте великі тонкі дошки для того, щоб звести до мінімуму ризик защемлення полотна і віддачі.

Великі тонкі дошки мають тенденцію до провисання під своєю власною вагою. Підтримуючі опори необхідно розташувати під дошкою з обох сторін, поряд з лінією розрізу і біля краю дошки.

- e) Не використовуйте тупі або пошкоджені полотна.

Незаточені або неправильно встановлені полотна служать причиною вузького пропилу, що призведе до надмірного тертя, викривлення полотна і віддачі.

- f) Важелі блокування глибини і нахилу полотна повинні бути точно виставлені і надійно зафіксовані перед початком різання.

Якщо пристосування для установаки положення полотна зрушаться під час різання, це може стати причиною викривлення і віддачі.

- g) Будьте особливо обережні, працюючи з уже існуючими стінами та іншими невідомими вам ділянками.

Виступаюче вперед полотно може почати різання предметів, які стануть причиною віддачі.

Функції нижньої напрямної

- a) Перед початком експлуатації щоразу перевіряйте правильність закриття нижнього запобіжного пристосування. Не дозволяється експлуатація пилки, якщо нижнє запобіжне пристосування не буде вільно рухатися і негайно закриватися. Ніколи не закріплюйте нижнє запобіжне пристосування у відкритому положенні за допомогою затискачів або хомутів. Якщо пилка була випадково випущена з рук, нижнє запобіжне пристосування може погнутися.

Підніміть нижнє запобіжне пристосування за допомогою втягуючої рукоятки і переконайтеся в тому, що вона буде вільно рухатися, і не торкатися полотна або будь-якої іншої деталі при різанні під будь-яким кутом і з будь-якою глибиною.

- b) Перевірте функціонування пружини нижнього запобіжного пристосування. Якщо запобіжне пристосування і пружина не будуть функціонувати належним чином, їх потрібно відремонтувати перед експлуатацією.

Нижнє запобіжне пристосування може функціонувати недостатньо швидко внаслідок пошкодження деталей, накопичення липких відкладень, або попадання уламків.

- c) Нижнє запобіжне пристосування повинно втягуватися вручну тільки для спеціальних видів пилок, таких як "врізні" і "комбіновані". Підніміть нижнє запобіжне пристосування за допомогою втягуючої рукоятки, і як тільки полотно увійде в матеріал, нижнє запобіжне пристосування необхідно відпустити.

Для всіх інших видів пилок, нижнє запобіжне пристосування повинно функціонувати автоматично.

- d) Не забудьте перевірити, щоб нижнє запобіжне пристосування закривало полотно, перед тим як покласти пилку на верстат або на підлогу.

Незахищене полотно, що рухається за інерцією, стане причиною того, що пилка при русі у зворотному напрямку буде різати все, що трапиться на шляху.

Пам'ятайте, що для зупинки полотна після вимкнення необхідний певний час.

ЗАСОБИ БЕЗПЕКИ ПРИ ЕКСПЛУАТАЦІЇ ДИСКОВОЇ ПИЛКИ

1. Не використовуйте ріжучі диски, що мають деформації або тріщини.
2. Не використовуйте ріжучі диски, зроблені зі швидкорізальної сталі.
3. Не використовуйте ріжучі диски, властивості яких не відповідають характеристикам, зазначеним у цьому посібнику.
4. Не зупиняйте ріжучі диски натисканням на диск збоку.
5. Завжди тримайте ріжучі диски гостро заточеними.
6. Переконайтеся в тому, що нижнє запобіжне пристосування буде рухатися плавно і вільно.
7. Ніколи не використовуйте дискову пилку, якщо нижнє запобіжне пристосування пилки зафіксовано у відкритому положенні.
8. Переконайтеся в тому, що пристосування для відведення, яке входить в систему захисту, функціонує правильно.
9. Ніколи не використовуйте дискову пилку, якщо ріжучий диск повернено вгору або обік.
10. Переконайтеся в тому, що в матеріалі немає сторонніх предметів, наприклад, цвяхів.
11. Для моделі C6SS, діаметри ріжучих дисків повинні бути в межах діапазону від 165 мм до 160 мм. Для моделі C7SS, діаметри ріжучих дисків повинні бути в межах діапазону від 190 мм до 185 мм.
12. Від'єднайте штепельну вилку від розетки перед початком виконання будь-якої операції з регулювання, перед початком обслуговування або поточного ремонту.

ТЕХНІЧНІ ХАРАКТЕРИСТИКИ

Модель		C6SS	C7SS
Напруга (за регіонами)*		230 В ~	
Глибина різання	90°	57 мм	68 мм
	45°	38 мм	46 мм
Вхід живлення		1050 Вт	
Швидкість холостого ходу		5500 хв. ⁻¹	
Маса (без шнура)		3,2 кг	3,4 кг

СТАНДАРТНІ АКЕСУАРИ

- (1) Ріжучий диск (встановлений на інструменті) 1
 (Діаметр 165 мм C6SS)
 (Діаметр 190 мм C7SS)

- (2) Шестигранний ключ 1

Стандартні аксесуари можуть змінюватися без попередження.

ДОДАТКОВЕ ПРИЛАДДЯ
(поставляється окремо)

- (1) Пилковловувач в комплекті (D)
 З'єднайте всмоктуючий шланг для збору тирси з пилососом (див. Рис. 9).
- (2) Шайба (A)
 для 20 мм (діаметр отвору ріжучого диска)
 для 30 мм (діаметр отвору ріжучого диска)
- (3) Запобіжне пристосування (з барашковим болтом)

Набір додаткового приладдя може бути змінений без попередження.

ЗАСТОСУВАННЯ

Різання різних типів дерева.

ПЕРЕД РОБОТОЮ

1. Джерело живлення

Переконайтеся, що джерело живлення, яким Ви будете користуватися, відповідає вимогам до живлення, зазначеним на наклейці на корпусі виробу.

2. Перемикач живлення

Переконайтеся, що перемикач живлення знаходиться в положенні ВИМКНЕНО. Якщо штепсельна виделка підключена до розетки, коли перемикач знаходиться в положенні УВИМКНЕНО, інструмент негайно почне працювати, а це може призвести до нещасного випадку.

3. Подовжувач

Коли робоча поверхня знаходиться далеко від джерела живлення, користуйтеся подовжувачем достатньої товщини і номінальної потужності. Подовжувач мусить бути настільки коротким, настільки й практичним.

4. Підготуйте дерев'яний верстак (Рис. 1)

Так як ріжучий диск буде виходити за межі нижньої поверхні пиломатеріалу, розташуйте даний пиломатеріал на верстаті при відрізанні. Якщо в якості верстака буде використана прямокутна рама, виберіть рівну поверхню для забезпечення належної стійкості рами. Нестійкий верстак може призвести до небезпеки при експлуатації.

ОБЕРЕЖНО

Щоб уникнути можливого нещасного випадку, завжди слід переконатися в тому, що частина пиломатеріалу, яка залишиться після різання, буде надійно закріплена або утримана на місці.

5. Як зберігати шестигранний ключ (Рис. 8)

Шестигранний ключ, який використовується для приєднання і від'єднання ножівочного полотна, можна зберігати в рукоятці.

РЕГУЛЮВАННЯ ПИЛКИ ПЕРЕД
ЕКСПЛУАТАЦІЮ

1. Регулювання глибини різання

Глибину різання можна відрегулювати шляхом переміщення підстави, після того як буде ослаблена його барашкова гайка (Рис. 2).

ОБЕРЕЖНО

Якщо дана барашкова гайка залишиться ослабленою, це може призвести до виникнення дуже небезпечної ситуації. Завжди ретельно фіксуйте гайку.

2. Регулювання кута нахилу

Шляхом ослаблення смушкового болта біля шкали можна зафіксувати ріжучий диск у верхньому положенні з максимальним кутом нахилу 45° відносно основи (Рис. 3). Кут нахилу також можна буде регулювати шляхом ослаблення барашкового болту біля шкали (Рис. 3).

ОБЕРЕЖНО

Дуже небезпечно залишити даний барашковий болт ослабленим. Завжди ретельно фіксуйте болт.

3. Установою направляючої (Додаткове приладдя)

Положення різання можна регулювати шляхом переміщення направляючої вліво або вправо після ослаблення барашкового болта. Направляючу можна встановити з лівою або з правого боку.

ПРОЦЕДУРА РІЗАННЯ

- Помістіть корпус (основу) пилки на пиломатеріал, і вставте лінію різання з ріжучим диском на передній шкалі (Рис. 4).
- Поверніть вимикач в положення ON (УВИМК), перед тим як ріжучий диск увійде в зіткнення з пиломатеріалом. Вимикач поверніть в положення включення ON (УВИМК), коли пускач буде натиснуто, і поверніть в положення виключення OFF (ВИМК), коли пускач буде відпущено.

ОБЕРЕЖНО

Перш ніж почати операцію різання, перевірте матеріал, який Ви будете різати. Якщо при різанні передбачуваного матеріалу можливе утворення шкідливого / токсичного пилу, переконайтеся в тому, що до отвору для відводу пилу щільно під'єднаний пиловий мішок або спеціальна пиловловлювальна система. На додаток до всього, надіньте протипилувий респіратор.

- Перед початком розпилювання переконайтеся в тому, що лезо пилки вже досягло робочої швидкості.
- В разі зупинки ріжучого диска або появи непередбаченого шуму при експлуатації, негайно поверніть вимикач в положення OFF (ВИМК).
- Завжди стежте за тим, щоб шнур живлення не опинився в небезпечній близькості від обертового ріжучого диска.
- Дуже небезпечно експлуатувати дискову пилку, якщо ріжучий диск буде направлений вгору або в сторону. Не слід застосовувати пилку таким незвичайним чином.
- Завжди надягайте захисні окуляри перед різанням матеріалів.
- Після закінчення роботи вийміть штепсельну вилку з розетки.

УСТАНОВКА І ЗНЯТТЯ РІЖУЧОГО ДИСКА**ОБЕРЕЖНО**

Щоб уникнути серйозного нещасного випадку, переконайтеся в тому, що вимикач був встановлений в положення OFF (ВИМК), а джерело живлення було від'єднане.

1. Зняття ріжучого диска

- (1) Встановіть рівень різання в положення максимуму, і розставете дискову пилку як показано на **Рис. 5**.
- (2) Послабте важіль блокування, закріпіть гвинт, і зніміть болт для шестигранного ключа за допомогою шестигранного ключа.
- (3) Зніміть ріжучий диск в той час, поки будете утримувати важіль нижнього запобіжного пристосування в тому положенні, яке необхідно, щоб утримати нижнє запобіжне пристосування повністю відведеним в кришку пилки.

2. Установка ріжучого диска

- (1) Ретельно видаліть всю тирсу, яка накопичилася на шпindelі, на болті і на шайбах.
- (2) Як показано на **Рис. 6**, сторона шайби (А) з розрахунковим центром такого ж діаметру, як і внутрішній діаметр ріжучого диска, і увігнута сторона шайби (В), повинні бути щільно посаджені по обох сторонах ріжучого диска.

* Шайба (А) поставляється для 2 типів ріжучих дисків з діаметрами отворів, рівними 20 мм і 30 мм. (При купівлі дискової пилки поставляється один тип шайби (А).)

- У разі, якщо діаметр отвору Вашого ріжучого диска не буде відповідати отвору шайби (А), будь ласка, зверніться в магазин, де Ви придбали цю дискову пилку.
- (3) Для забезпечення правильного напрямку обертання ріжучого диска, напрямку, вказаний стрілкою на ріжучому диску, має збігатися з напрямком, стрілкою на кришці пилки.

- (4) Затягніть болт для шестигранного ключа, утримуючи рукою ножівкове полотно. Потім ослабте запірний важіль, закріпіть гвинт, і щільно затягніть болт для шестигранного ключа за допомогою шестигранного ключа.

ОБЕРЕЖНО

Після прикріплення ріжучого диска, ще раз переконаєтеся в тому, що важіль блокування буде міцно закріплений в заданому положенні.

ОГЛЯД І ДОГЛЯД**1. Огляд ріжучого диска**

Так як використання незаточеного ріжучого диска буде зменшувати ефективність і може призвести до несправності двигуна, заточте або замініть ріжучий диск відразу ж, як тільки помітите сліди абразивного зносу.

2. Перевірка монтажних гвинтів

Регулярно перевіряйте всі монтажні гвинти і стежте за тим, щоб вони були надійно затягнуті. Якщо вони послабилися, негайно затягніть їх знову. Якщо цього не зробити, така недбалість може призвести до нещасних випадків.

3. Технічне обслуговування двигуна.

Обмотка двигуна - це "серце" електроінструменту. Проявляйте належну увагу, стежачи за тим, щоб обмотка не була пошкоджена і / або залита маслом або водою.

4. Перевірка вугільних щіток

Щоб забезпечити Вашу безпеку і захистити від ураження електричним струмом, огляд і заміну вугільних щіток цього інструменту слід проводити ТІЛЬКИ в авторизованому сервісному центрі HiKOKI.

5. Заміна шнура живлення

Щоб уникнути небезпеки травмування, заміна шнура живлення повинна проводитися виробником цього елемента.

6. Регулювання основи і полотна пилки для підтримання перпендикулярності

Кут між підставою і полотном пилки відрегульований в 90°, однак якщо ця перпендикулярність повинна бути змінена з якоїсь причини, проведіть регулювання наступним чином:

- (1) Поверніть корпус лицьовою стороною вгору (**Рис. 7**) і ослабте барашковий болт. (**Рис. 3**)
- (2) Приєднасте косинець до основи і полотна пилки, і повернувши настановний гвинт з поздовжніми шліцями за допомогою плоскої викрутки, змініть положення підстави, щоб встановити бажаний правильний кут.

7. Обслуговування нижньої напрямної

Задля безпечної та надійної роботи підтримуйте пристрій та вентиляційні отвори у чистоті. Нижня напрямна має безперешкодно рухатися і втягуватися автоматично. Тому завжди підтримуйте ділянку навколо нижньої напрямної у чистоті. Усувайте пил і стружку за допомогою щіточки чи стиснутого повітря.

ОБЕРЕЖНО

Під час роботи і догляду слід брати до уваги місцеві норми і стандарти.

ГАРАНТІЯ

Ми гарантуємо, що автоматичні інструменти НіКОКІ виготовлені згідно місцевих вказівок. Ця гарантія не розповсюджується на дефекти або пошкодження через зловживання, неправильне користування або звичайне спрацювання. Якщо Ви маєте скарги, будь ласка, надішліть автоматичний інструмент, не розбираючи його, із ГАРАНТІЙНИМ СЕРТИФІКАТОМ, який знаходиться в кінці інструкції, до авторизованого сервісного центру НіКОКІ.

ПРИМІТКА

Через постійні дослідження і розвиток, які здійснює НіКОКІ, технічні характеристики можуть змінюватися без попередження.

Інформація про шум та вібрацію

Вимірні величини визначені згідно EN60745 і визнано такими, що відповідають ISO 4871.

C6SS

Вимірний рівень потужності звуку в співвідношенні A:
106 дБ (A)
Вимірний рівень тиску звуку в співвідношенні A:
95 дБ (A)

Похибка у кПа: 3 дБ (A)

C7SS

Вимірний рівень потужності звуку в співвідношенні A:
106 дБ (A)
Вимірний рівень тиску звуку в співвідношенні A:
95 дБ (A)

Похибка у кПа: 3 дБ (A)

Одягайте навушники.

Повне значення вібрації (векторна сума триаксіального) визначена згідно EN60745.

Різка ДСП:

C6SS

Величина вібрації $a_h = 2,4 \text{ м/с}^2$
Похибка $K = 1,5 \text{ м/с}^2$

C7SS

Величина вібрації $a_h = 5,9 \text{ м/с}^2$
Похибка $K = 1,5 \text{ м/с}^2$

Зазначений рівень вібрації був вимірний згідно стандартного тесту і був використаний при порівнянні інструментів між собою.

Він може використовуватися для первинного визначення впливу.

ПОПЕРЕДЖЕННЯ

- Вібрація під час справжнього користування може відрізнитися від заявленої, залежно від способу застосування інструменту.
- Визначіть заходи безпеки для оператора згідно практичного застосування (беручи до уваги всі частини робочого циклу, такі як вимикання інструменту і його роботи вхолосту на додаток до виконання робочих завдань)

ЭЛЕКТР ҚҰРАЛЫНЫҢ ҚАУІПСІЗДІГІ ТУРАЛЫ ЖАЛПЫ ЕСКЕРТУЛЕР

⚠ ЕСКЕРТУ

Қауіпсіздік туралы барлық ескертулерді және барлық нұсқауларды оқып шығыңыз.

Ескертулер мен нұсқауларды ескермеу тоқ соғуына, өртке және/немесе ауыр жарақатқа әкелуі мүмкін.

Барлық ескертулерді және нұсқауларды болашақта анықтама алу үшін сақтап қойыңыз.

Ескертулердегі «электр құрал» термині желіден жұмыс істейтін (сымды) электр құралын немесе батареядан жұмыс істейтін (сымсыз) электр құралын білдіреді.

1) Жұмыс аумағының қауіпсіздігі

a) Жұмыс аумағын таза және жақсы жарықтандырылған күйде ұстаңыз. Ыбырсыған немесе күңгірт аумақтар сәтсіз жағдайларға әкеледі.

b) Электр құралдарды жарылғыш атмосфераларда, мысалы, тұтанғыш сұйықтықтар, газдар немесе шаң бар кезде пайдалануға болмайды. Электр құралдар шаңды немесе түтіндерді тұтандыруы мүмкін ұшқындарды тудырады.

c) Электр құралды пайдалану кезінде балаларды және маңайдағы адамдарды аулақ ұстаңыз. Аңдататын нәрселер басқаруды жоғалтуға әкелуі мүмкін.

2) Электр қауіпсіздік

a) Электр құрал ашалары розеткаға сәйкес болуы керек.

Ашаны ешқашан ешбір түрде өзгертпеңіз. Жерге қосылған электр құралдармен бірге ешбір адаптер ашаны пайдалануға болмайды. Өзгертілмеген ашалар және сәйкес розеткалар тоқ соғуы қауіпін азайтады.

b) Құбырлар, радиаторлар, асуы плиталары және тоназытқыштар сияқты жерге қосылған беттерге дөненем тиеніз. Денеңіз жерге тұйықталса, тоқ соғу қауіп артады.

c) Электр құралдарға жаңбырдың немесе ылғалды жағдайлардың әсерін тигізуге болмайды. Электр құралға кірген су тоқ соғуы қауіпін арттырады.

d) Сымды дұрыс емес пайдалануға болмайды. Сымды электр құралды ұстап жүру, тарту немесе розеткадан ажырату үшін ешқашан пайдаланбаңыз. Сымды жылудан, майдан, үшкір жиектерден немесе қозғалатын бөліктерден аулақ ұстаңыз.

Зақымдалған немесе шатасқан сымдар тоқ соғуы қауіпін арттырады.

e) Электр құралды сыртта пайдаланғанда, сыртта пайдалануға жарамды ұзартқыш сымды пайдаланыңыз.

Сыртта пайдалануға жарамды сымды пайдалану тоқ соғуы қауіпін азайтады.

f) Электр құралды ылғалды жерде пайдаланбау мүмкін емес болса, жерге тұйықталу тоқтарынан қорғау құралымен (RCD) қорғалған желіні пайдаланыңыз.

Жерге тұйықталу тоқтарынан қорғау құралын (RCD) құралын пайдалану тоқ соғу қауіпін азайтады.

3) Жеке қауіпсіздік

a) Электр құралды пайдаланғанда қырағы болыңыз, не істеп жатқаныңызды бақылаңыз және дұрыс ақылды пайдаланыңыз. Шаршап тұрғанда, я болмаса дәрілердің, алкогольдің немесе дәрі-дәрмектердің әсерінде болғанда электр құралды пайдаланбаңыз.

Электр құралдарды пайдалану кезінде бір сәт көңіл бөлмеу ауыр жарақатқа әкелуі мүмкін.

b) Жеке қорғағыш жабдықты пайдаланыңыз. Өрқашан кезді қорғау құралын киіңіз.

Тиісті жағдайлар үшін пайдаланылатын шаңнан қорғау маскасы, сыргымайтын қауіпсіз аяқ-киім, қатты қалпақ сияқты қорғағыш жабдық немесе құлақтарды қорғау құралы жарақаттарды азайтады.

c) Кездейсоқ іске қосылуын болдырмаңыз. Құралды қуат кезіне және/немесе батареялар жинағына қосу, көтеру немесе алып жүру алдында ажыратқыш өшірулі күйінде екеніне көз жеткізіңіз.

Сауақты а ажыратқышқа қойып электр құралдарды алып жүру немесе ажыратқыш қосылу күйіндегі электр құралдарына қуат беру сәтсіз жағдайларға әкеледі.

d) Электр құралды қосу алдында кез келген реттеу кілтін немесе сомын кілтін алып тастаңыз.

Электр құралдың айналатын бөлігіне бекітілген күйде қалдырылған сомын кілтін немесе кілт жарақатқа әкелуі мүмкін.

e) Қатты жақындалмаңыз. Өрқашан тиісті дене қалпын және теңгерімді сақтаңыз.

Бұл күтпеген жағдайларда электр құралды жақсырақ басқаруға мүмкіндік береді.

f) Тиісті киімді киіңіз. Бос киімді немесе зергерлі бұйымдарды кімеңіз. Шашты, киімді және қолғапты қозғалатын бөліктерден аулақ ұстаңыз.

Бос киім, зергерлік бұйымдар немесе ұзын шаш қозғалатын бөліктерде ұсталып қалуы мүмкін.

g) Шанды шығару және жинау құралдарын қосуға арналған құралдар қамтамасыз етілсе, оларды қосыңыз және тиісті түрде пайдаланыңыз.

Шаң жинауды пайдалану шаңға қатысты қауіптерді азайтады.

4) Электр құралды пайдалану және күту

a) Электр құралға күш қолданбаңыз. Қолдану жағдайы үшін дұрыс электр құралды пайдаланыңыз.

Дұрыс электр құрал жұмысты жақсырақ және өзі арналған қауіпсіздеу жылдамдықпен істейді.

b) Ажыратқыш қоспайтын және өшірмейтін электр құралды пайдалануға болмайды. Ажыратқышпен басқару мүмкін емес кез келген электр құрал қауіпті және оны жөндеу керек.

c) Кез келген реттеулерді жасау, қосалқы құралдарды ауыстыру немесе электр құралдарды сақтауға қою алдында ашаны күтп кезінен және/немесе батареялар жинағын электр құралдар ажыратыңыз.

Мұндай алдын алатын қауіпсіздік шаралары электр құралды кездейсоқ іске қосу қауіпін азайтады.

d) Бос тұрған электр құралдарды балалардан аулақ сақтаңыз және электр құралмен немесе осы нұсқаулармен таныс емес адамдарға электр құралды пайдалануға рұқсат етпеңіз.

Оқытылмаған пайдаланушылардың қолдарында электр құралдар қауіпті.

- e) Электр құралдарға техникалық қызмет көрсетіп тұрыңыз. Қозғалатын бөліктердің дұрыс емес туралануын немесе тұрып қалуын, бөліктердің бұзылуын және кез келген басқа жағдайды тексеру электр құралдың жұмысына әсер етуі мүмкін. Зақымдалған болса, пайдалану алдында электр құралды жөндетіңіз.

Көп сәтсіз жағдайларды нашар техникалық қызмет көрсетілген электр құралдар тудырады.

- f) Кесу құралдарын өткір және таза күйде ұстаңыз.

Тиісті түрде техникалық қызмет көрсетілетін, кесу жиектері өткір кесу құралдарының тұрып қалу ықтималдығы азырақ және оларды басқару оңайырақ.

- g) Электр құралды, қосалқы құралдарды және құрал кескіштерін осы нұсқауларға сай, жұмыс жағдайларын және орындайтын жұмысты ескере отырып пайдаланыңыз.

Электр құралды белгіленгеннен басқа әрекеттер үшін пайдалану қауіпті жағдайға әкелуі мүмкін.

5) Қызмет көрсету

- a) Электр құралға білікті жөндеу маманы, тек бірдей ауыстыру бөліктерін пайдаланып қызмет көрсетуі керек.

Бұл электр құралдың қауіпсіздігінің сақталуын қамтамасыз етеді.

САҚТЫҚ ЕСКЕРТУ

Балаларды және әлсіз адамдарды аулақ ұстаңыз. Пайдаланбаған кезде құралдарды балалардан және әлсіз адамдардан аулақ сақтау керек.

ЦИРКУЛЯРЛЫҚ АРАҒА ҚАТЫСТЫ ҚАУІПСІЗДІК ТУРАЛЫ ЕСКЕРТУЛЕР

Кесу процедуралары

- a) **⚠ ҚАУІПТІ:** қолдарды кесу аумағынан және полотнодан аулақ ұстаңыз. Екінші қолыңызды қосымша тұтқада немесе мотор корпусында ұстаңыз.

Қолдардың екеуі де араны ұстап тұрса, оларды полотно кеспейді.

- b) Дайындама астына жақындамаңыз.

Қорғағыш дайындама астында полотнодан сізді қорғай алмайды.

- c) Кесу тереңдігін дайындама қалыңдығына реттеңіз.

Дайындама астында полотно тістерінің толық тісінен азырақ бөлігі көрінуі керек.

- d) Кесіп жатқан дайындаманы қолдарда немесе аяқтың үстінде ешқашан ұстамаңыз. Дайындаманы тұрақты платформаға бекітіңіз.

Денеге ашылуын, полотноның тұрып қалуын немесе басқаруды жоғалтуды барынша азайту үшін дайындаманы тиісті түрде тіреу маңызды.

- e) Кесу құралы жасырын сымдарға немесе өзінің сымына тиюі мүмкін әрекетті орындау кезінде электр құралды тек оқшауланған ұстау беттерінен ұстаңыз.

Сондай-ақ кернеу астындағы сымға тиюі электр құралдың ашылған металл бөліктеріне кернеу береді және операторды тоқ соғуы мүмкін.

- f) Кескенде әрқашан кесу тақтайшасын немесе түзу жиекті бағыттағышты пайдаланыңыз.

Бұл кесу дәлдігін жақсартады және полотноның тұрып қалу мүмкіндігін азайтады.

- g) Әрқашан білік тесіктерінің өлшемі және пішіні (дөңгелек емес, ромб тәрізді) дұрыс полотноларды пайдаланыңыз.

Араның бекіту жабдығына сәйкес емес полотнолар эксцентриктік түрде айналып, басқаруды жоғалтуға әкеледі.

- h) Зақымдалған немесе дұрыс емес полотно шайбаларын немесе бұрандаманы ешқашан пайдаланбаңыз.

Полотно шайбалары және бұрандама араға, оңталлы өнімділікті және қауіпсіз пайдалануды қамтамасыз етуге арналған.

Кері тебудің себептері және қатысты ескертулер

- кері тебу — қысылып қалған, тұрып қалған немесе дұрыс емес тураланған аралау полотносына кенет реакция. Бұл басқарылмайтын араның дайындамада жоғары және сыртқа, операторға қарай көтерілуіне әкеледі;

- кесіктің жабылуына байланысты полотно қатты қысылып қалса немесе тұрып қалса, полотно тұрып қалады және мотордың реакциясы блокты операторға арқа қарай қозғалтады;

- полотно майысса немесе кесікте дұрыс емес тураланса, полотноның арқы жиегіндегі тістер ағаштың жоғарғы бетіне кіріп, полотноның кескітер сыртқа көтерілуіне және операторға қарай секіруіне әкелуі мүмкін.

Кері тебу — араны дұрыс емес пайдаланудың және/немесе дұрыс емес пайдалану процедураларының немесе жағдайларының нәтижесі және төменде берілген тиісті сақтық шараларын қолдану арқылы мұның алдын алуға болады.

- a) Араны екі қолмен қатты ұстаңыз және қолдарды кері тебу күштеріне қарсы тұра алатындай орналастырыңыз.

Денеңізді полотномен бір сызықта емес, ал полотноның бір жағына орналастырыңыз.

Кері тебу араның артқа секіруіне әкелуі мүмкін, бірақ тиісті сақтық шараларын қолданса, оператор кері тебу күштерін басқара алады.

- b) Кез келген себеппен полотно тұрып қалса немесе кесуді үзсе, шүріппені жіберіңіз және полотно толығымен тоқтатқанда араны материалда қозғалыссыз ұстаңыз.

Полотно қозғалып жатқанда араны дайындамадан алуға немесе араны арқа қарай тартуға ешқашан әрекеттенбеңіз, әйтпесе кері тебу орын алуы мүмкін.

Полотноның тұрып қалуының себебін зерттеңіз және оны жою үшін түзету әрекеттерін қолданыңыз.

- c) Араны дайындамада қайта іске қосқанда кесікте аралау полотносын ортаға келтіріңіз және ара тістері материалға кірмегенін тексеріңіз.

Аралау полотносы тұрып қалса, араны қайта іске қосқанда ол дайындамадан жоғары қарай қозғалуы немесе кері тебуі мүмкін.

- d) Полотноның қысылып қалу және кері тебу қаупін барынша азайту үшін үлкен тақталарды тіреңіз.

Үлкен тақталар өз салмағымен іліледі. Тіректерді тақта астында, екі жағында, кесу сызығының жанында және тақта жиегінің жанында қою керек.

- е) Өтпес немесе зақымдалған полотноларды пайдалануға болмайды.
Өткірленбеген немесе тиісті емес түрде орнатылған полотнолар еңсіз кесікті жасап, артық үйкеліске, полотноның тұрып қалуына және кері тебуіне әкеледі.
- ф) Кесу алдында полотно тереңдігі және қиғаштықты реттейтін құлыптау иінтрәкертері тартылған және берік болуы керек.
Кесу кезінде полотноның реттелуі ауытқыса, бұл тұрып қалуға және кері тебуге әкелуі мүмкін.
- г) Бар қабырғаларда немесе басқа көрінбейтін аумақтарда аралауды орындау кезінде ерекше сақ болыңыз.
Шығып тұрған полотно заттарды кесіп, бұл кері тебуге әкелуі мүмкін.

Төменгі қорғағыштың функциясы

- а) Әрбір пайдалану алдында төменгі қорғағыш тиісті түрде жабылатынын тексеріңіз. Төменгі қорғағыш еркін қозғалмаса және лезде жабылмаса, араны пайдалануға болмайды. Төменгі қорғағышты ашық күйде ешқашан бекітпеңіз.
Ара кездейсоқ түсіріп алынса, төменгі қорғағыш бұйылуы мүмкін.
Жиналатын тұтқа арқылы төменгі қорғағышты көтеріңіз және оның еркін қозғалатынын әрі кесудің барлық бұрыштарында және тереңдіктерінде полотноға немесе кез келген басқа бөлікке тимейтінін тексеріңіз.
- б) Төменгі қорғағыш серіппесінің жұмысын тексеріңіз. Қорғағыш және серіппе тиісті түрде жұмыс істеп жатпаса, пайдалану алдында оларға қызмет көрсету керек.
Зақымдалған бөліктерге, жабысқақ шөгінділерге немесе жиналған қоқысқа байланысты төменгі қорғағыш баяу жұмыс істеуі мүмкін.
- с) «Батырып кесулер» және «құрама кесулер» сияқты арнайы кесулер үшін төменгі қорғағышты қолмен жинауға болады. Жинау тұтқасы арқылы төменгі қорғағышты көтеріңіз және полотно материалға кіргенде төменгі қорғағышты жіберу керек.

- Барлық басқа аралау жағдайлары үшін төменгі қорғағыш автоматты түрде жұмыс істейді.
- д) Араны верстаққа немесе еденге қою алдында әрқашан төменгі қорғағыш полотноны жауып тұрғанын қадағалаңыз.
Қорғалмаған, басқарылмай қозғалатын полотно араның артқа қарай қозғалуына әкеліп, жолындағы барлық нәрселерді кеседі.
Ауыстырып-қосқышты жібергеннен кейін араның тоқтауына кететін уақытты ескеріңіз.

ЦИРКУЛЯРЛЫҚ АРАНЫ ПАЙДАЛАНУҒА ҚАТЫСТЫ САҚТЫҚ ШАРАЛАРЫ

1. Пішіні өзгерген немесе жарықтары бар аралау полотноларын пайдалануға болмайды.
2. Жылдамдығы жоғары болаттан жасалған аралау полотноларын пайдалануға болмайды.
3. Осы нұсқауларда көрсетілген сипаттамаларға сай емес аралау полотноларын пайдалануға болмайды.
4. Аралау полотноларын дискіге бүйірлік қысым түсіру арқылы тоқтатуға болмайды.
5. Аралау полотноларын әрқашан өткір күйде ұстаңыз.
6. Төменгі қорғағыш біркелкі және еркін қозғалатынына көз жеткізіңіз.
7. Циркулярлық араны төменгі қорғағышты ашық күйде бекітілген түрде пайдаланушы болмаңыз.
8. Қорғағыш жүйесінің тарту механизмі дұрыс жұмыс істейтініне көз жеткізіңіз.
9. Циркулярлық араны аралау полотносы жоғары немесе бүйірге қарай бұрылған күйде пайдаланушы болмаңыз.
10. Материалда шегелер сияқты бөгде заттар жоқ екеніне көз жеткізіңіз.
11. C6SS үлгісі үшін аралау полотноларының ауқымы 165 мм-ден 160 мм-ге дейін болуы керек.
C7SS үлгісі үшін аралау полотноларының ауқымы 190 мм-ден 185 мм-ге дейін болуы керек.
12. Кез келген реттеуді, қызмет көрсетуді немесе техникалық қызмет көрсетуді өткізу алдында ашаны розеткадан ажыратыңыз.

ТЕХНИКАЛЫҚ СИПАТТАМАЛАРЫ

Үлгі		C6SS	C7SS
Кернеу (елдер бойынша)*		230 В ~	
Кесу тереңдігі	90°	57 мм	68 мм
	45°	38 мм	46 мм
Қуат кірісі*		1050 Вт	
Жүктемесіз жылдамдығы		5500 мин ⁻¹	
Салмағы (сымысыз)		3,2 кг	3,4 кг

* Өнімдегі зауыттық тақтайшаны тексеріңіз, өйткені ол елдерге қарай өзгереді.

СТАНДАРТТЫ ҚОСАЛҚЫ ҚҰРАЛДАР

- (1) Аралау полотноты (құралға бекітілген)1
 (Диа. 165 мм C6SS)
 (Диа. 190 мм C7SS)
- (2) Алты қырлы сомын кілті 1

Стандартты қосалқы құралдар ескертусіз өзгертілуі мүмкін.

**ҚОСЫМША ҚОСАЛҚЫ ҚҰРАЛДАР
(бөлек сатылады)**

- (1) Шаң жинағыш жинағыш (B)
 Ара шаңын шаңсорғышпен жинау үшін сору шланғысын қосыңыз (9-сур. қараңыз).
- (2) Шайба (A)
 20 мм үшін (аралау полотноты тесігінің диаметрі)
 30 мм үшін (аралау полотноты тесігінің диаметрі)
- (3) Бағыттағыш (құлақты бұрандама)

Қосымша қосалқы құралдар ескертусіз өзгертілуі мүмкін.

КОЛДАНУ

Ағашты кесудің алуан түрлері.

ПАЙДАЛАНУ АЛДЫНДА

1. **Қуат көзі**
 Пайдаланылатын қуат көзі өнімнің зауыттық тақтайшасында көрсетілген қуатқа қойылатын талаптарға сай екеніне көз жеткізіңіз.
2. **Қуат ауыстырып-қосқышы**
 Қуат ажыратқышы ӨШІРУЛІ күйінде екеніне көз жеткізіңіз. Ашаны розеткаға қуат ажыратқышы ҚОСУЛЫ күйінде қоссаңыз, электр құрал дереу жұмыс істеуді бастап, бұл ауыр сәтсіз жағдайға әкелуі мүмкін.
3. **Ұзартқыш сым**
 Жұмыс аумағында қуат көзі ажыратылған болса, қалыңдығы және есептелген қуаты жеткілікті ұзартқыш сымды пайдаланыңыз. Ұзартқыш сымды мүмкіндігінше қысқа ету керек.
4. **Ағаш верстакты дайындаңыз (1-сур.)**
 Аралау полотноты ағаштың төменгі бетінен тыс шығатындықтан, кесу кезінде ағашты верстакқа қойыңыз. Верстак ретінде шаршы қалып пайдаланылса, оны тиісті түрде тұрақтандыру үшін тегіс жерді таңдаңыз. Тұрақсыз верстак қауіпті жұмысқа әкеледі.

САҚТЫҚ ЕСКЕРТУ

Ықтимал сәтсіз жағдайды болдырмау үшін кесуден кейін қалатын ағаш бөлігінің берік түрде бекітілуін немесе орнында ұсталуын қамтамасыз етіңіз.

5. Алты қырлы сомын кілтін сақтау жолы (8-сур.)

Аралау полотнотын бекіту және ажырату үшін пайдаланылатын алты қырлы сомын кілтін тұтқада сақтауға болады.

**ПАЙДАЛАНУ АЛДЫНДА ЭЛЕКТР ҚҰРАЛЫН
РЕТТЕУ****1. Кесу тереңдігін реттеу**

Кесу тереңдігін негіз иінтірегін босатудан кейін негізді жылжыту арқылы реттеуге болады (А) (2-сур.).

САҚТЫҚ ЕСКЕРТУ

Бос күйде қалса, бұл иінтірек (А) өте қауіпті жағдайды тудырады. Оны әрқашан дұрыстап бекітіңіз.

2. Еңкейту бұрышын реттеу

Шкалада құлақты бұрандаманы босату арқылы аралау полотнотын негізге қатысты ең көбі 45°-қа еңкейтуге болады (3-сур.).

Сондай-ақ еңкейту бұрышын шкаладағы құлақты бұрандаманы босату арқылы реттеуге болады (3-сур.).

САҚТЫҚ ЕСКЕРТУ

Бұл құлақты бұрандаманың бос күйде қалуына мүмкіндік беру өте қауіпті. Оны әрқашан дұрыстап бекітіңіз.

3. Бағыттағышты реттеу (қосымша қосалқы құрал)

Кесу күйін құлақты бұрандамасын босатудан кейін бағыттағышты солға немесе оңға жылжыту арқылы реттеуге болады.

Бағыттағышты сол немесе оң жақта бекітуге болады.

КЕСУ ПРОЦЕДУРАЛАРЫ

1. Ара корпусын (негізді) ағашқа басыңыз және алдыңғы шкалада кесу сызығын аралау полотнотымен тураланыз (4-сур.).

2. Аралау полотноты ағашқа тимей тұрып ауыстырып-қосқышты ҚОСУЛЫ күйіне орнатыңыз. Ауыстырып-қосқыш шүріппені басқанда ҚОСУЛЫ күйіне және шүріппені жібергенде ӨШІРУЛІ күйіне орнатылады.

САҚТЫҚ ЕСКЕРТУЛЕП

Кесу әрекетінің алдында кесейін деп жатқан материалды тексеріңіз. Кесетін материал зиянды/уытты шандарды тудырса, шаң шығару тесігіне шаң қабы немесе тиісті шанды жинау жүйесі берік түрде қосылғанын тексеріңіз. Қолжетімді болса, бұған қоса шаңнан қорғау маскасын киіңіз.

- Араны іске қосуалдында аралау полотноты толық жылдамдықта айналуға жеткеніне көз жеткізіңіз.
- Жұмыс істеп жатқанда аралау полотноты тоқтаса немесе әдеттен тыс шу шығарса, дереу ауыстырып-қосқышты ӨШІРУЛІ күйіне орнатыңыз.
- Әрқашан қуат сымның айналатын аралау полотнотына жақындамауы үшін шараларды қолданыңыз.
- Циркулярлық араны аралау полотноты жоғары немесе шетке қарап тұрып пайдалану өте қауіпті. Мұндай әдеттен тыс қолдануларды болдырмау керек.
- Материалдарды кескенде әрқашан қорғағыш көзілдірікті киіңіз.
- Жұмысты аяқтағанда ашаны розеткадан ажыратыңыз.

**АРАЛАУ ПОЛОТНОСЫН БЕКІТУ ЖӘНЕ
АЖЫРАТУ****САҚТЫҚ ЕСКЕРТУ**

Ауыр сәтсіз жағдайды болдырмау үшін ауыстырып-қосқыш ӨШІРУЛІ күйінде екеніне және қуат көзі ажыратылғанына көз жеткізіңіз.

1. Аралау полотнотын ажырату

- (1) Кесу көлемін ең жоғары мәнге орнатыңыз және циркулярлық араны **5-сур.** көрсетілгендей орналастырыңыз.
- (2) Құлыптау иінтірегін басыңыз, шпиндельді құлыптаңыз және алты қырлы сомын кілті арқылы алты қырлы ұяшығы бар бұрандаманы алыңыз.
- (3) Төменгі қорғағышты ара қақпағына толығымен жиналған күйде ұстау үшін төменгі қорғағыш иінтірегін ұстап тұрып, аралау полотнотын алыңыз.

2. Аралау полотнотының бекітуі

(1) Шпиндельде, бұрандамада және шайбаларда жиналған бүкіл аралау шаңын мұқият кетіріңіз.

(2) **6-сур.** көрсетілгендей, шығыңқы ортасының диаметрі аралау полотнотының және шайбаның ойыс жағымен (В) ішкі диаметрімен бірдей шайбаны (А) аралау полотнотының жақтарына орнату керек.

* Шайба (А) аралау полотнотларының 2 түрі үшін қамтамасыз етіледі: тесік диаметрі 20 мм және 30 мм. (Циркулярлық араны сатып алғанда шайбаның бір түрі (А) қамтамасыз етіледі).

Аралау полотноты тесігінің диаметрі шайбаныкіне (А) сәйкес болмаса, циркулярлық араны сатып алған дүкенге хабарласыңыз.

(3) Аралау полотнотының тиісті айналу бағытын қамтамасыз ету үшін аралау полотнотындағы көрсеткі бағыты ара қақпағындағы көрсеткі бағытымен бірдей болуы керек.

(4) Саусақтарды пайдаланып аралау полотнотының ұстайтын алты қырлы ұяшығы бар бұрандаманы мүмкіндігінше тартыңыз. Содан кейін құлыптау иінтірегін басып, шпиндельді құлыптаңыз және алты қырлы ұяшығы бар бұрандаманы қатты тартыңыз.

САҚТЫҚ ЕСКЕРТУ

Аралау полотнотының бекітуден кейін құлыптау иінтірегі белгіленген күйде қатты бекітілгенін қайтадан тексеріңіз.

ТЕХНИКАЛЫҚ ҚЫЗМЕТ КӨРСЕТУ ЖӘНЕ ТЕКСЕРУ**1. Аралау полотнотының тексеруі**

Өтпес аралау полотнотының пайдалану тиімділікті нашарлатады және ықтимал мотор ақаулығын тудырады, сондықтан үйкелісті байқап сала аралау полотнотының өткірленізі немесе ауыстырыңыз

2. Бекіту бұрандаларын тексеруі

Барлық бекіту бұрандаларын жүйелі түрде тексеріп, тиісті түрде тартылғанына көз жеткізіп отырыңыз. Бұрандалардың кез келгені босаса, дереу қайта тартыңыз. Бұлай істемеу ауыр қауіпке әкелуі мүмкін.

3. Моторға техникалық қызмет көрсетуі

Мотор блогының орамы электр құралдың «жүрегі» болып табылады.

Орам зақымдалмауын және/немесе маймен немесе сумен ылғалданбауын қамтамасыз ету үшін тиісті шараларды қолданыңыз.

4. Көмір қылшақтарын тексеруі

Тұрақты қауіпсіздігіңіз және тоқ соғуынан қорғау үшін осы құралда көмір қылшақты тексеруді және ауыстыруды ТЕК НІКОКІ компаниясының өкілетті сервистік орталығы орындауы керек.

5. Қуат сымын ауыстыруі

Қуат сымын ауыстыру керек болса, қауіпсіздік қаупін болдырмау үшін мұны өндірушінің агенті орындауы керек.

6. Перпендикулярлықты қамтамасыз ету үшін негіз бен аралау полотнотының реттеуі

Негіз бен аралау полотноты арасындағы бұрыш 90°-қа реттелген, дегенмен бұл перпендикулярлық бір себеппен жоғалса, келесідей реттеңіз:

(1) Негізді жоғары қаратып бұрыңыз (**7-сур.**) және құлақты бұрандаманы босатыңыз (**3-сур.**).

(2) Негізге және ара полотнотына шаршыны тигізіп, оймакілтекті басы бар бұрауышпен оймакілтекті орнату бұрандасын бұрып, қажеті тік бұрышқа жету үшін негіздің қалпын өзгертіңіз.

7. Төменгі қорғағышқа техникалық қызмет көрсетуі

Қауіпсіз және тиісті түрде жұмыс істеу үшін машинаны және желдету саңылауларын әрқашан таза күйде ұстаңыз. Төменгі қорғағыш әрқашан еркін қозғала алуы және автоматты түрде жинала алуы керек. Сондықтан төменгі қорғағыштың айналасындағы аумақты әрқашан таза күйде ұстаңыз. Қысымдалған ауамен үрлеу немесе қылшақ арқылы шаңды және майда сынықтарды кетіріңіз.

САҚТЫҚ ЕСКЕРТУ

Электр құралдарын пайдалану және техникалық қызмет көрсету кезінде әрбір елде белгіленген қауіпсіздік ережелерін және стандарттарын сақтау керек.

КЕПІЛДІК

Біз НІКОКІ электр құралдары заң/ел ережелеріне сай екеніне кепілдік береміз. Бұл кепілдік дұрыс емес пайдалануға, теріс пайдалануға немесе қалыпты тозуға және сынуға байланысты ақауларды немесе зақымды қамтымайды. Шағымыңыз болса, бөлшектелмеген электр құралды осы пайдалану нұсқаулығының соңындағы КЕПІЛДІК СЕРТИФИКАТЫМЕН бірге НІКОКІ компаниясының өкілетті сервистік орталығына жіберіңіз.

ЕСКЕРТПЕ

НІКОКІ компаниясының үздіксіз зерттеу және даму бағдарламасына байланысты осы құжаттағы техникалық сипаттамалар алдын ала ескертусіз өзгертілуі мүмкін.

Ауадағы шу және дiрiлге қатысты ақпарат

Өлшенген мәндер

EN60745 стандартына сай анықталды және ISO 4871 стандартына сай жарияланды.

C6SS

Өлшенген А салмақты дыбыстың қуат деңгейі: 106 дБ(А)

Өлшенген А салмақты дыбыстың қысым деңгейі: 95 дБ(А)

Белгісіздік КрА: 3 дБ(А)

C7SS

Өлшенген А салмақты дыбыстың қуат деңгейі: 106 дБ(А)

Өлшенген А салмақты дыбыстың қысым деңгейі: 95 дБ(А)

Белгісіздік КрА: 3 дБ(А)

Құлақтарды қорғау құралын киіңіз.

Дiрiлдiң жалпы мәндерi (үш осьтi вектор қосындысы)

EN60745 стандартына сай анықталған.

Ағаш-жаңқалы тақтаны кесу:

C6SS

Дiрiл шығару мәні $a_h = 2,4$ м/с²

Белгісіздік К = 1,5 м/с²

C7SS

Дiрiл шығару мәні $a_h = 5,9$ м/с²

Белгісіздік К = 1,5 м/с²

Жарияланған дiрiлдiң жалпы мәні стандартты сынақ әдiсiне сай өлшенген және оны бiр құралды екiншiсiмен салыстыру үшiн пайдалануға болады.

Сондай-ақ оны бастапқы әсердi бағалауда пайдалануға болады.

ЕСКЕРТУ

- Құралды пайдалану жолдарына байланысты электр құралды iс жүзiнде пайдалану кезiндегi дiрiлдi шығару жарияланған жалпы мәннен басқаша болуы мүмкiн.
- Iс жүзiндегi пайдалану жағдайларындағы әсер болжамына негiзделген операторды қорғау қауiпсiздiк шараларын анықтаңыз (iске қосу уақытына қоса, құрал өшiрiлген және бос жұмыс iстеп тұрған уақыттар сияқты жұмыс циклының барлық бөлiктерiн ескерiң).

ОБЩИЕ ПРАВИЛА БЕЗОПАСНОСТИ ПРИ РАБОТЕ С ЭЛЕКТРОИНСТРУМЕНТОМ

⚠ ПРЕДУПРЕЖДЕНИЕ

Прочтите все правила безопасности и инструкции. Не выполнение правил и инструкций может привести к поражению электрическим током, пожару и/или серьезной травме.

Сохраняйте все правила и инструкции на будущее. Термин "электроинструмент" в контексте всех мер предосторожности относится к эксплуатируемому Вами электроинструменту с питанием от сетевой розетки (с сетевым шнуром) или электроинструменту с питанием от аккумуляторной батареи (беспроводному).

1) Безопасность на рабочем месте

- a) Поддерживайте чистоту и хорошее освещение на рабочем месте.

Беспорядок и плохое освещение приводят к несчастным случаям.

- b) Не используйте электроинструменты во взрывоопасных окружающих условиях, например, в непосредственной близости огнеопасных жидкостей, горячих газов или легковоспламеняющейся пыли.

Электроинструменты порождают искры, которые могут воспламенить пыль или испарения.

- c) Держите детей и наблюдающих на безопасном расстоянии во время эксплуатации электроинструмента.

Отвлечение внимания может стать для Вас причиной потери управления.

2) Электробезопасность

- a) Сетевые вилки электроинструментов должны соответствовать сетевой розетке. Никогда не модифицируйте штепсельную вилку никоим образом.

Не используйте никакие адаптерные переходники с заземленными (замкнутыми на землю) электроинструментами.

Немодифицированные штепсельные вилки и соответствующие им сетевые розетки уменьшат опасность поражения электрическим током.

- b) Не прикасайтесь телом к заземленным поверхностям, например, к трубопроводам, радиаторам, кухонным плитам и холодильникам.

Если Ваше тело соприкоснется с заземленными поверхностями, возрастет опасность поражения электрическим током.

- c) Не подвергайте электроинструменты действию воды или влаги.

При попадании воды в электроинструмент возрастет опасность поражения электрическим током.

- d) Правильно обращайтесь со шнуром. Никогда не переносите электроинструмент, взявшись за шнур, не тяните за шнур и не дергайте за шнур с целью отсоединения электроинструмента от сетевой розетки.

Располагайте шнур подале от источников тепла, нефтепродуктов, предметов с острыми кромками и движущихся деталей.

Поврежденные или запутанные шнуры увеличивают опасность поражения электрическим током.

- e) При эксплуатации электроинструмента вне помещений, используйте удлинительный шнур, предназначенный для использования вне помещения.

Использование шнура, предназначенного для работы вне помещений, уменьшит опасность поражения электрическим током.

- f) При эксплуатации электроинструмента во влажной среде, используйте устройство защитного отключения (RCD) источника питания.

Использование RCD уменьшит опасность поражения электрическим током.

3) Личная безопасность

- a) Будьте готовы к неожиданным ситуациям, внимательно следите за своими действиями и руководствуйтесь здравым смыслом при эксплуатации электроинструмента.

Не используйте электроинструмент, когда Вы устали или находитесь под влиянием наркотиков, алкоголя или лекарственных препаратов.

Мгновенная потеря внимания вовремя эксплуатации электроинструментов может привести к серьезной травме.

- b) Используйте индивидуальные средства защиты. Всегда надевайте средства защиты глаз.

Защитное снаряжение, например, противопылевой респиратор, защитная обувь с нескользящей подошвой, защитный шлем-каска или средства защиты органов слуха, используемые для соответствующих условий, уменьшат травмы.

- c) Избегайте непреднамеренного включения двигателя. Убедитесь в том, что выключатель находится в положении выключения перед подниманием, переноской или подсоединением к сетевой розетке и/или портативному батарейному источнику питания.

Переноска электроинструментов, когда Вы палец держите на выключателе, или подсоединение электроинструментов к сетевой розетке, когда выключатель будет находиться в положении включения, приводит к несчастным случаям.

- d) Снимите все регулировочные или гаечные ключи перед включением электроинструмента.

Гаечный или регулировочный ключ, оставленный прикрепленным к вращающейся детали электроинструмента, может привести к полному травмированию.

- e) Не теряйте устойчивость. Все время имейте точку опоры и сохраняйте равновесие.

Это поможет лучше управлять электроинструментом в непредвиденных ситуациях.

- f) Одевайтесь надлежащим образом. Не надевайте просторную одежду или ювелирные изделия. Держите волосы, одежду и перчатки как можно дальше от движущихся частей.

Просторная одежда, ювелирные изделия или длинные волосы могут попасть в движущиеся части.

- г) Если предусмотрены устройства для присоединения приспособлений для отвода и сбора пыли, убедитесь в том, что они присоединены и используются надлежащим образом.
Использование данных устройств может уменьшить опасность, связанные с пылью.
- 4) Эксплуатация и обслуживание электроинструментов
- а) Не перегружайте электроинструмент. Используйте надлежащий для Вашего применения электроинструмент.
Надлежащий электроинструмент будет выполнять работу лучше и надежнее в том режиме работы, на который он рассчитан.
- б) Не используйте электроинструмент с неисправным выключателем, если с его помощью нельзя будет включить и выключить инструмент.
Каждый электроинструмент, которым нельзя управлять с помощью выключателя, будет представлять опасность, и его будет необходимо отремонтировать.
- в) Отсоедините штепсельную вилку от источника питания и/или портативный батарейный источник питания от электроинструмента перед началом выполнения какой-либо из регулировок, перед сменой принадлежностей или хранением электроинструмента.
Такие профилактические меры безопасности уменьшат опасность непреднамеренного включения двигателя электроинструмента.
- д) Храните неиспользуемые электроинструменты в недоступном для детей месте, и не разрешайте людям, не знающим как обращаться с электроинструментом или не изучившим данное руководство, работать с электроинструментом.
Электроинструменты представляют опасность в руках неподготовленных пользователей.
- е) Содержите электроинструменты в исправности. Проверьте, нет ли несоосности или заедания движущихся частей, повреждения деталей или какого-либо другого обстоятельства, которое может повлиять на функционирование электроинструментов.
При наличии повреждения отремонтируйте электроинструмент перед его эксплуатацией.
Большое количество несчастных случаев связано с плохим обслуживанием электроинструментов.
- ф) Содержите режущие инструменты остро заточенными и чистыми.
Надлежащим образом содержащиеся в исправности режущие инструменты с острыми режущими кромками будут меньше заедать и будут легче в управлении.
- г) Используйте электроинструмент, принадлежности, насадки и т.п. в соответствии с данным руководством, принимая во внимание условия и объем выполняемой работы.
Использование электроинструмента для выполнения работ не по прямому назначению может привести к опасной ситуации.

- 5) Обслуживание
- а) Обслуживание Вашего электроинструмента должно выполняться квалифицированным представителем ремонтной службы с использованием только идентичных запасных частей.
Это обеспечит сохранность и безопасность электроинструмента.

МЕРА ПРЕДОСТОРОЖНОСТИ

Держите подальше от детей и немощных людей. Если инструменты не используются, их следует хранить в недоступном для детей и немощных людей месте.

ПРАВИЛА БЕЗОПАСНОСТИ ПРИ РАБОТЕ С ЦИРКУЛЯРНОЙ ПИЛОЙ

Процедуры резания

- а) **⚠ ОПАСНО:** Держите руки как можно дальше от зоны резания и полотна пилы. Держите Вашу вторую руку на вспомогательной рукоятке или на корпусе двигателя.
Если удерживать пилу обеими руками, руки будут защищены от пореза полотном пилы.
- б) Не попадите под обрабатываемое изделие.
Предохранительное приспособление не сможет защитить Вас от полотна пилы снизу обрабатываемого изделия.
- в) Отрегулируйте глубину резания в зависимости от толщины обрабатываемого изделия.
Под обрабатываемым изделием должно быть видно не больше, чем зуб полотна пилы целиком.
- д) Никогда не удерживайте обрабатываемую деталь в руках или на коленях. Надежно закрепляйте обрабатываемую деталь на устойчивой подставке.
Очень важно закрепить обрабатываемое изделие надлежащим образом для уменьшения опасности получения травмы, защемления полотна или потери управления.
- е) Держите электрический инструмент за изолированные части для захвата при эксплуатации в местах, где режущий инструмент может соприкоснуться со скрытой проводкой или с собственным проводом.
Соприкосновение с проводом "под напряжением" приведет к тому, что открытые металлические части электроинструмента также окажутся "под напряжением", что может привести к поражению оператора электрическим током.
- ф) При разрезании всегда используйте направляющую планку или вертикальную направляющую для края детали.
Это улучшит точность резания и уменьшит вероятность защемления полотна.
- г) Всегда используйте полотно надлежащего размера и формы (ромб или круг) в соответствии с отверстиями оправки.
Полотна, которые не будут соответствовать деталям осанки пилы, будут перемещаться со смещением относительно центра, приводя к потере управления.
- h) Никогда не используйте поврежденные или неподходящие для полотна шайбы или болт. Шайбы и болт для полотна были разработаны специально для Вашей пилы для получения оптимальных эксплуатационных характеристик и безопасности при эксплуатации.

Причины отдачи и соответствующие предупреждения

- отдача представляет собой внезапное ответное действие на защемление, ограничение хода или перенок полотна пилы, и станет причиной неуправляемого перемещения пилы вверх и выхода из обрабатываемой детали по направлению к оператору;
- при плотном защемлении или тугом ограничении хода при сужении пропила, полотно застрянет, а двигатель вследствие отдачи быстро направит аппарат в обратную сторону по направлению к оператору;
- если полотно искривится или перекосятся внутри пропила, то может произойти заедание зубьев на задней кромке полотна в верхней части деревянной поверхности, что станет причиной подъема полотна вверх из пропила и скачка обратно по направлению к оператору.

Отдача является результатом неправильной эксплуатации пилы и/или нарушения техники выполнения работ или технического состояния, и ее можно избежать, принимая надлежащие меры предосторожности, которые приведены ниже.

- a) **Крепко удерживайте пилу обеими руками и расположите руки в таком положении, которое позволит противодействовать силам отдачи. Встаньте так, чтобы Ваше тело находилось с какой-либо из сторон относительно полотна пилы, но не на одной линии с полотном.**
Отдача может стать причиной скачка пилы в обратном направлении, но оператор должен не потерять способность управления вследствие действия сил отдачи, если он будет принимать надлежащие меры предосторожности.
- b) **При искривлении полотна, или при прерывании процесса резания по какой-либо причине, отпустите пускатель и удерживайте пилу неподвижно в материале до тех пор, пока полотно полностью не остановится. Никогда не пытайтесь вынуть пилу из детали или потянуть пилу в обратном направлении в то время, когда полотно находится в движении, иначе может последовать отдача.**
Выявите причину искривления и предпримите необходимые действия для устранения причины искривления.
- c) **При повторном запуске двигателя, когда полотно пилы находится внутри пропила обрабатываемой детали, выровняйте полотно в пропиле и проверьте, не застряли ли зубья пилы в материале.**
Если полотно пилы искривится, отдача может подействовать на обрабатываемую деталь в любом направлении при повторном запуске двигателя пилы.
- d) **Надежно поддерживайте большие тонкие доски для того, чтобы свести к минимуму риск защемления полотна и отдачи.**
Большие тонкие доски имеют тенденцию к провисанию под своим собственным весом. Поддерживающие опоры необходимо расположить под доской с обеих сторон, рядом с линией разреза и около края доски.
- e) **Не используйте тупые или поврежденные полотна.**

Незачищенные или неправильно установленные полотна служат причиной узкого пропила, что приведет к чрезмерному трению, искривлению полотна и отдаче.

- f) **Рычаги блокировки глубины и наклона полотна должны быть точно выставлены и надежно зафиксированы перед началом резания.**
Если приспособления для установки положения полотна сдвинутся во время резания, это может стать причиной искривления и отдачи.
- g) **Будьте особенно внимательно при пилении в уже существующих стенах или в других слепых зонах.**
Выступающее вперед полотно может начать резание предметов, которые станут причиной отдачи.

Функционирование нижнего защитного приспособления

- a) **Перед началом эксплуатации каждый раз проверяйте правильность закрытия нижнего предохранительного приспособления. Не эксплуатируйте пилу, если нижнее предохранительное приспособление не будет свободно двигаться и немедленно закрываться. Никогда не закрепляйте нижнее предохранительное приспособление в открытом положении при помощи зажимов или хомутов.**

Если пила будет случайно уронена, нижнее предохранительное приспособление может погнуться.

Поднимите нижнее предохранительное приспособление с помощью вытягивающейся рукоятки и убедитесь в том, что она будет свободно двигаться, и не будет касаться полотна или какой либо другой детали при резании под любым углом и с любой глубиной.

- b) **Проверьте функционирование пружины нижнего предохранительного приспособления. Если предохранительное приспособление и пружина не будут функционировать надлежащим образом, их нужно отремонтировать перед эксплуатацией.**

Нижнее предохранительное приспособление может функционировать недостаточно быстро вследствие повреждения деталей, накопления липких отложений, или попадания обломков.

- c) **Нижнее предохранительное приспособление должно втягиваться вручную только для специальных видов пил, таких как “врезные” и “комбинированные”.** Поднимите нижнее предохранительное приспособление с помощью вытягивающейся рукоятки, и как только полотно войдет в материал, нижнее предохранительное приспособление необходимо отпустить.

Для всех остальных видов пил, нижнее предохранительное приспособление должно функционировать автоматически.

- d) **Не забудьте проверить, что нижнее предохранительное приспособление закрывает полотно, перед тем как положить пилу на верстак или на пол.**

Незащищенное, движущееся по инерции полотно станет причиной того, что пила при движении в обратном направлении будет резать все, что попадет на пути.

Помните, что для останова полотна после выключения необходимо некоторое время.

МЕРЫ ПРЕДОСТОРОЖНОСТИ ПРИ ЭКСПЛУАТАЦИИ ДИСКОВОЙ ПИЛЫ

1. Не используйте режущие диски, имеющие деформации или трещины.
2. Не используйте режущие диски, сделанные из быстрорежущей стали.
3. Не используйте режущие диски, свойства которых не соответствуют характеристикам, указанным в данном руководстве.
4. Не останавливайте режущие диски надавливанием на диск сбоку.
5. Всегда держите режущие диски острозаточенными.
6. Убедитесь в том, что нижнее предохранительное приспособление будет двигаться плавно и свободно.

7. Никогда не эксплуатируйте дисковую пилу, если нижнее предохранительное приспособление пилы будет зафиксировано в открытом положении.
8. Убедитесь в том, что приспособление для отвода, которое входит в систему защиты, будет функционировать правильно.
9. Никогда не эксплуатируйте дисковую пилу, если режущий диск будет повернут вверх или в сторону.
10. Убедитесь в том, что в материале не будет посторонних предметов, например, гвоздей.
11. Для модели C6SS ширина ножовочного полотна должна быть в пределах от 165 до 160 мм. Для модели C7SS, ширина ножовочного полотна должна быть в пределах от 190 мм до 185 мм.
12. Отсоедините штепсельную вилку от сетевой розетки перед началом выполнения какой-либо из регулировок, перед началом обслуживания или текущего ремонта.

ТЕХНИЧЕСКИЕ ХАРАКТЕРИСТИКИ

Модель		C6SS	C7SS
Напряжение		230 V ~	
Глубина резания	90°	57 мм	68 мм
	45°	38 мм	46 мм
Потребляемая мощность		1050 W	
Скорость вращения без нагрузки		5500 мин ⁻¹	
Вес (без шнура)		3,2 кг	3,4 кг

СТАНДАРТНЫЕ ПРИНАДЛЕЖНОСТИ

- (1) Режущий диск (установлен на инструменте) 1
 (Диаметр 165 мм C6SS)
 (Диаметр 190 мм C7SS)
- (2) Гаечный ключ в виде шестигранного стержня 1

Набор стандартных принадлежностей может быть изменен без уведомления.

ДОПОЛНИТЕЛЬНЫЕ ПРИНАДЛЕЖНОСТИ (поставляются отдельно)

- (1) Пылеуловитель в комплекте (D)
 Соедините всасывающий шланг для сбора древесных опилок с пылесосом (см. **Рис. 9**).
- (2) Шайба (A)
 для 20 мм (диаметр отверстия режущего диска)
 для 30 мм (диаметр отверстия режущего диска)
- (3) Предохранительное приспособление (с барашковым болтом)

Набор дополнительных принадлежностей может быть изменен без уведомления.

ПРИМЕНЕНИЕ

Резание различных типов дерева.

ПОДГОТОВКА К ЭКСПЛУАТАЦИИ

1. Источник электропитания

Проследите за тем, чтобы используемый источник электропитания соответствовал требованиям к источнику электропитания, указанным на типовой табличке изделия.

2. Переключатель "Вкл./ Выкл."

Убедитесь в том, что переключатель находится в положении "Выкл.". Если вы вставляете штепсель в розетку, а переключатель находится в положении "Вкл.", инструмент немедленно заработает, что может стать причиной серьезной травмы.

3. Удлинитель

Когда рабочая площадка удалена от источника электропитания, пользуйтесь удлинителем. Удлинитель должен иметь требуемую площадь поперечного сечения и обеспечивать работу инструмента заданной мощности. Разматывайте удлинитель только на реально необходимую для данного конкретного применения длину.

4. Подготовьте деревянный верстак (Рис. 1)

Так как режущий диск будет выходить за пределы нижней поверхности пиломатериала, расположите данный пиломатериал на верстаке при отрезании. Если в качестве верстана будет использована прямоугольная рама, выберите ровную поверхность для обеспечения надлежащей устойчивости рамы. Неустойчивый верстак может привести к опасности при эксплуатации.

ОСТОРОЖНО

Во избежание возможного несчастного случая, всегда следует убедиться в том, что часть пиломатериала, которая останется после резания, будет надежно закреплена или удержана на месте.

5. Как хранить шестигранный ключ (Рис. 8)

Шестигранный ключ, который используется для присоединения и отсоединения ножовочного полотна, можно хранить в рукоятке.

РЕГУЛИРОВАНИЕ ПИЛЫ ПЕРЕД ЭКСПЛУАТАЦИЕЙ

1. Регулирование глубины резания

Глубину резания можно отрегулировать путем перемещения основания, после того как будет ослаблена его барашковая гайка (Рис. 2).

ОСТОРОЖНО

Если данная барашковая гайка останется ослабленной, это может привести к возникновению очень опасной ситуации. Всегда тщательно фиксируйте гайку.

2. Регулирование угла наклона

Путем ослабления барашкового болта около шкалы можно зафиксировать режущий диск в верхнем положении с максимальным углом наклона 45° относительно основания (Рис. 3).

Угол наклона также можно будет регулировать путем ослабления барашкового болта около шкалы (Рис. 3).

ОСТОРОЖНО

Очень опасно оставить данный барашковый болт ослабленным. Всегда тщательно фиксируйте болт.

3. Установка направляющей (Дополнительная принадлежность)

Положение резания можно регулировать путем перемещения направляющей влево или вправо после ослабления барашкового болта направляющей.

Направляющую можно установить с левой или с правой стороны.

ПРОЦЕДУРА РЕЗАНИЯ

1. Поместите корпус (основание) пилы на пиломатериал, и совместите линию резания с режущим диском на передней шкале (Рис. 4).

2. Поверните выключатель в положение ON (ВКЛ) перед тем как режущий диск войдет в соприкосновение с пиломатериалом. Выключатель повернут в положение включения ON (ВКЛ), когда пускатель будет нажат, и повернут в положение выключения OFF (ВыКЛ), когда пускатель будет отпущен.

ОСТОРОЖНО

Прежде чем начать операцию резания, проверьте материал, который Вы будете резать. Если при резании предполагаемого материала возможно образование вредной / токсической пыли, убедитесь в том, что к отверстию для отвода пыли плотно подсоединен пылевой мешок или специальная пылеулавливающая система.

В дополнение ко всему, наденьте противопылевой респиратор.

○ Перед началом распиливания убедитесь в том, что режущий диск уже достиг рабочей скорости.

○ В случае остановки режущего диска или появления непредусмотренного шума при эксплуатации, немедленно поверните выключатель в положение OFF (ВыКЛ).

○ Всегда следите за тем, чтобы шнур питания не оказался в опасной близости от вращающегося режущего диска.

○ Очень опасно эксплуатировать дисковую пилу, если режущий диск будет направлен вверх или в сторону. Не следует применять пилу таким необычным образом.

○ Всегда надевайте защитные очки перед резанием материалов.

○ После окончания работы выньте штепсельную вилку из сетевой розетки.

УСТАНОВКА И СНЯТИЕ РЕЖУЩЕГО ДИСКА

ОСТОРОЖНО

Во избежание серьезного несчастного случая, убедитесь в том, что выключатель будет установлен в положение OFF (ВыКЛ), а источник питания будет отсоединен.

1. Снятие режущего диска

(1) Установите уровень резания в положение максимума, и расположите дисковую пилу как показано на Рис. 5.

(2) Ослабьте запорный рычаг, закрепите винт, и удалите болт для шестигранного ключа при помощи шестигранного ключа.

(3) Снимите режущий диск в то время, пока будете удерживать рычаг нижнего предохранительного приспособления в том положении, которое необходимо, чтобы удерживать нижнее предохранительное приспособление полностью отведенным в крышку пилы.

2. Установка режущего диска

(1) Тщательно удалите все опилки, которые накопились на шпинделе, на болте и на шайбах.

(2) Как показано на Рис. 6, сторона шайбы (А) с расчетным центром такого же диаметра, как и внутренний диаметр режущего диска, и вогнутая сторона шайбы (В), должны быть плотно посажены по обоим сторонам режущего диска.

* Шайба (А) поставляется для 2 типов режущих дисков с диаметрами отверстий, равными 20 мм и 30 мм. (При покупке дисковой пилы поставляется один тип шайбы (А).)

В случае если диаметр отверстия Вашего режущего диска не будет соответствовать отверстию шайбы (А), пожалуйста, обратитесь в магазин, где Вы приобрели эту дисковую пилу.

(3) Для обеспечения правильного направления вращения режущего диска, направление, указанное стрелкой на режущем диске, должно совпадать с направлением, указанным стрелкой на крышке пилы.

(4) Затяните болт для шестигранного ключа, удерживая рукой ножовочное полотно. Потом ослабьте запорный рычаг, закрепите винт, и плотно затяните болт для шестигранного ключа при помощи шестигранного ключа.

ОСТОРОЖНО

После прикрепления режущего диска, еще раз убедитесь в том, что рычаг блокировки будет прочно закреплен в заданном положении.

ТЕХНИЧЕСКОЕ ОБСЛУЖИВАНИЕ И ОСМОТР

1. Осмотр режущего диска

Так как использование незаточенного режущего диска будет уменьшать эффективность и может привести к неисправности двигателя, заточите или замените режущий диск сразу же, как только заметите следы абразивного износа.

2. Проверка установленных винтов

Регулярно проверяйте все установленные на инструменте винты, следите за тем, чтобы они были как следует затянуты. Немедленно затяните винт, который окажется ослабленным. Невыполнение этого правила грозит серьезной опасностью.

3. Техническое обслуживание двигателя

Обмотка двигателя - "сердце" электроинструмента. Проявляйте должное внимание, следя за тем, чтобы обмотка не была повреждена и/или залита маслом или водой.

4. Проверка угольных щеток

Чтобы обеспечить Вашу безопасность и защитить от поражения электрическим током, осмотр и замену угольных щеток этого инструмента следует проводить ТОЛЬКО в авторизованном сервисном центре НIKOKI.

5. Замена шнура питания

Во избежание опасности травмирования, замена шнура питания должна производиться изготовителем этого элемента.

6. Регулирование основания и полотна пилы для поддержки перпендикулярности

Угол между основанием и полотном пилы отрегулирован в 90°, однако если эта перпендикулярность должна быть изменена по какой-то причине, проведите регулировку следующим образом:

- (1) Поверните корпус лицевой стороной вверх (**Рис. 7**) и ослабьте барашковый болт. (**Рис. 3**)
- (2) Присоедините угольник к основанию и полотну пилы, и повернув Установочный винт с продольными шлицами при помощи плоской отвертки, измените положение основания, чтобы установить желаемый правильный угол.

7. Техническое обслуживание нижнего предохранительного приспособления

Для безопасной и правильной работы обязательно содержите в чистоте механизм и вентиляционные отверстия. Нижнее предохранительное приспособление всегда должно быть свободным и выдвигаться автоматически. Поэтому обязательно поддерживайте чистоту в области около нижнего предохранительного приспособления. Удалите пыль и кусочки мусора, сдувая их сжатым воздухом, или с помощью щетки.

ОСТОРОЖНО

При работе и обслуживании механизированных инструментов нужно соблюдать правила и стандарты безопасности, действующие в каждой данной стране.

ГАРАНТИЯ

Мы гарантируем соответствие автоматических инструментов НIKOKI нормативным/национальным положениям. Данная гарантия не распространяется на дефекты или ущерб, возникший вследствие неправильного использования или ненадлежащего обращения, а также нормального износа. В случае подачи жалобы отправляйте автоматический инструмент в неразобранном состоянии вместе с ГАРАНТИЙНЫМ СЕРТИФИКАТОМ, который находится в конце инструкции по обращению, в авторизованный центр обслуживания НIKOKI.

ПРИМЕЧАНИЕ

На основании постоянных программ исследования и развития, НIKOKI оставляют за собой право на изменение указанных здесь технических данных без предварительного уведомления.

Информация, касающаяся создаваемого шума и вибрации

Измеряемые величины были определены в соответствии с EN60745 и заявлены в соответствии с ISO 4871.

C6SS

Измеренный средневзвешенный уровень звуковой мощности: 106 дБ (А)
Измеренный средневзвешенный уровень звукового давления: 95 дБ (А)
Погрешность Кра: 3 дБ (А)

C7SS

Измеренный средневзвешенный уровень звуковой мощности: 106 дБ (А)
Измеренный средневзвешенный уровень звукового давления: 95 дБ (А)
Погрешность Кра: 3 дБ (А)

Надевайте наушники.

Общие значения вибрации (сумма векторов триаксиального кабеля) определяются в соответствии с EN60745.

Резка ДСП:

C6SS

Величина вибрации $a_h = 2,4 \text{ m/s}^2$
Погрешность K = 1,5 m/s²

C7SS

Величина вибрации $a_h = 5,9 \text{ m/s}^2$
Погрешность K = 1,5 m/s²

Заявленный общий уровень вибрации измерялся в соответствии со стандартным тестовым методом. Этот уровень может использоваться для сравнения различных инструментов.

Кроме того, его можно использовать для предварительной оценки воздействия.

ПРЕДУПРЕЖДЕНИЕ

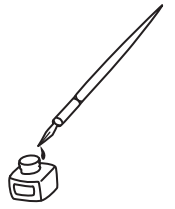
- Величина вибрации во время фактического использования инструмента может отличаться от указанного значения, в зависимости от способа использования инструмента.
- Определить меры предосторожности, чтобы защитить оператора, которые основаны на расчете воздействия при фактических условиях использования (принимая во внимание все периоды цикла эксплуатации кроме времени запуска, то есть когда инструмент выключен, работает на холостом ходу).

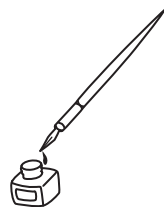
HİKOKİ


<p>English</p> <p>GUARANTEE CERTIFICATE</p> <p>① Model No. ② Serial No. ③ Date of Purchase ④ Customer Name and Address ⑤ Dealer Name and Address (Please stamp dealer name and address)</p>	<p>Қазақстан</p> <p>КЕПІЛДІК СЕРТИФИКАТЫ</p> <p>① Үлгі нөм. ② Сериялық нөм. ③ Сатып алынған күні ④ Тұтынушының аты және мекенжайы ⑤ Дилерлік орталықтың атауы және мекенжайы (Дилерлік орталық атауы және мекенжайы мөрін қойыңыз)</p>
<p>Український</p> <p>ГАРАНТІЙНИЙ СЕРТИФІКАТ</p> <p>① № моделі ② № серії ③ Дата придбання ④ Ім'я і адреса клієнта ⑤ Ім'я і адреса дилера (Будь ласка, поставте печатку з іменем і адресою дилера)</p>	<p>Русский</p> <p>ГАРАНТИЙНЫЙ СЕРТИФИКАТ</p> <p>① Модель № ② Серийный № ③ Дата покупки ④ Название и адрес заказчика ⑤ Название и адрес дилера (Пожалуйста, внесите название и адрес дилера)</p>

①	
②	
③	
④	
⑤	







<p>English</p> <p>EC DECLARATION OF CONFORMITY</p> <p>We declare under our sole responsibility that Circular Saw, identified by type and specific identification code *1), is in conformity with all relevant requirements of the directives *2) and standards *3). Technical file at *4) – See below. The European Standard Manager at the representative office in Europe is authorized to compile the technical file. The declaration is applicable to the product affixed CE marking.</p>	<p>Қазақстан</p> <p>ЕК СӘЙКЕСТІК ДЕКЛАРАЦИЯСЫ</p> <p>Біз, тек өзіміз жауапкершілік алып, түрі және арнайы идентификациялық код арқылы идентификацияланған циркулярлық ара *1) директивалардың *2) және стандарттардың *3) барлық қатысты талаптарына сай екенін жариялаймыз. Техникалық файл *4) – Төменде қараңыз. Еуропалық кеңседегі еуропалық стандарттар жөніндегі менеджерге техникалық файлды құрастыру өкілеттігі берілген. Бұл декларация CE белгісі қойылған өнімге қатысты.</p>
<p>Український</p> <p>ДЕКЛАРАЦІЯ ВІДПОВІДНОСТІ ЄС</p> <p>Ми заявляємо під нашу виключну відповідальність, що Циркулярна пила, визначена за типом та унікальним ідентифікаційним кодом *1), відповідає всім відповідним вимогам директив *2) та стандартів *3). Технічна документація на *4) - Див. нижче. Відповідальний за дотримання європейських стандартів у представництві в Європі уповноважений заповнювати технічний паспорт. Ця декларація дійсна щодо виробу, маркованого CE.</p>	<p>Русский</p> <p>ДЕКЛАРАЦИЯ СООТВЕТСТВИЯ ЕС</p> <p>Мы с полной ответственностью заявляем, что циркулярная пила, идентифицируемая по типу и соответствующему идентификационному коду *1), отвечает всем соответствующим требованиям директив *2) и стандартов *3). Техническая документация в *4) – см. ниже. Менеджер по европейским стандартам в представительстве в Европе уполномочен составлять техническую документацию. Данная декларация относится к изделиям, на которых имеется маркировка CE.</p>
<p>*1) C7SS C349555S C339476R C6SS C349554S</p> <p>*2) 2006/42/EC, 2014/30/EU, 2011/65/EU</p> <p>*3) EN60745-1:2009+A11:2010 EN60745-2-5:2010 EN55014-1:2006+A1:2009+A2:2011 EN55014-2:1997+A1:2001+A2:2008 EN61000-3-2:2014 EN61000-3-3:2013</p>	
<p>*4) Representative office in Europe Hikoki Power Tools Deutschland GmbH Siemensring 34, 47877 Willich, Germany</p> <p>Head office in Japan Koki Holdings Co., Ltd. Shinagawa Intercity Tower A, 15-1, Konan 2-chome, Minato-ku, Tokyo, Japan</p> <p>31. 12. 2019 Naoto Yamashiro European Standard Manager</p> <p>31. 12. 2019  A. Nakagawa Corporate Officer</p> <p></p>	

Hikoki Power Tools RUS L.L.C.
Kashirskoe Shosse 41, bldg. 2, 115409, Moscow, Russia
Tel: +7 495 727 4460
Fax: +7 495 727 4461
URL: <http://www.hikoki-powertools.ru>

Koki Holdings Co., Ltd.

912
Code No. C99180096 F
Printed in China