

MODEL : MO-735/734DE

List No : 6039-00

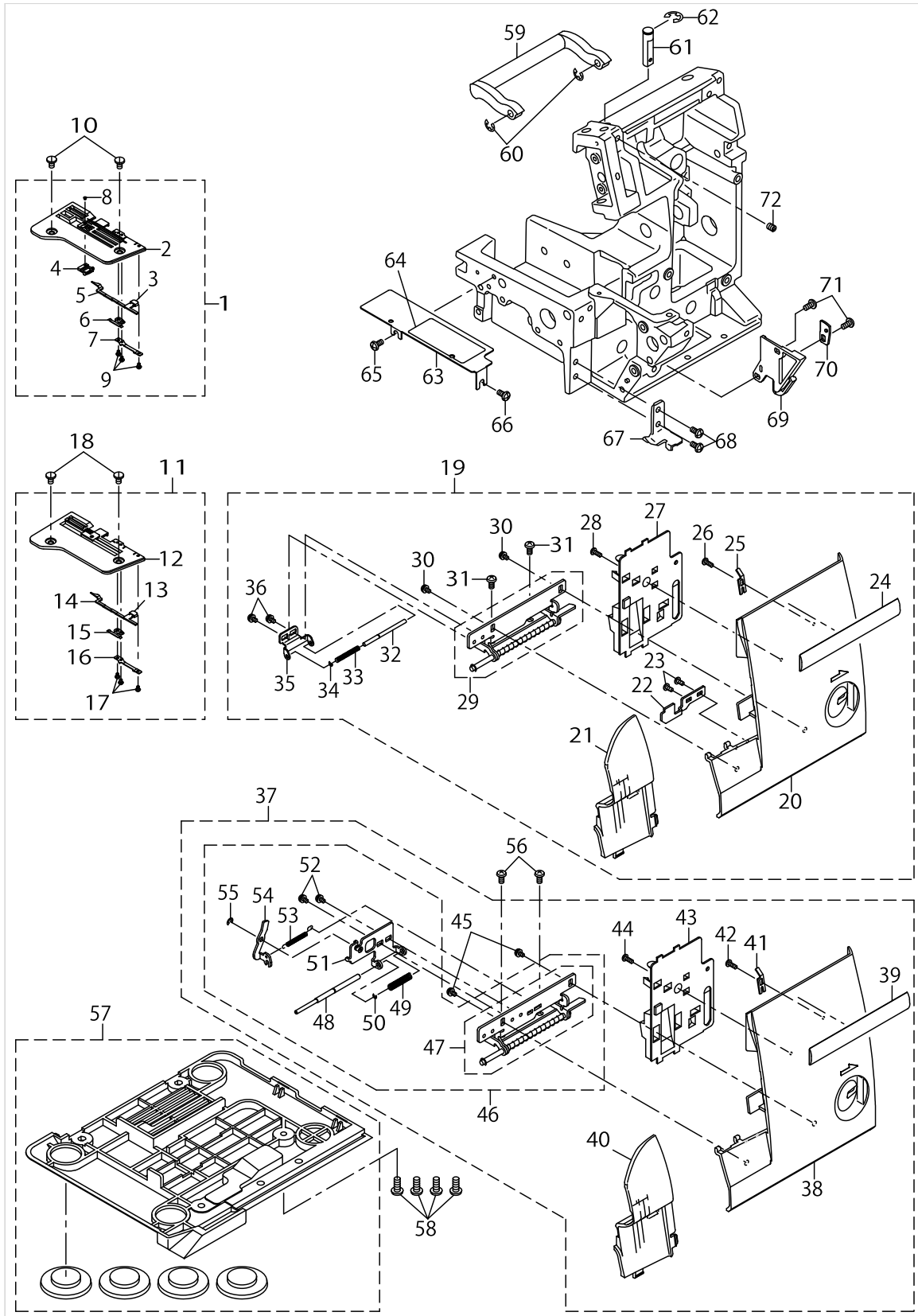
PARTS LIST

Published:05/12/2017

CONTENTS

COVER COMPONENTS (1).....	1
COVER COMPONENTS (2).....	5
FRONT PANEL COMPONENTS (1)(FOR MO-735).....	9
FRONT PANEL COMPONENTS (2)(FOR MO-734DE).....	11
MAIN SHAFT & SAFETY SWITCH COMPONENTS.....	13
NEEDLE BAR & PRESSER FOOT COMPONENTS (1).....	15
NEEDLE BAR & PRESSER FOOT COMPONENTS (2).....	19
FEED MECHANISM COMPONENTS (1).....	23
FEED MECHANISM COMPONENTS (2).....	25
NEEDLE THROWING DEVICE FITTING BASE COMPONENTS (FOR MO-734DE).....	29
CHAIN LOOPER COMPONENTS (FOR MO-735).....	33
LOOPER DRIVE COMPONENTS.....	37
KNIFE COMPONENTS.....	43
THREAD TENSION COMPONENTS.....	49
LAMP & TRANSFORMER COMPONENTS.....	51
MOTOR & CONTROLLER COMPONENTS.....	53
ACCESSORIES PARTS COMPONENTS.....	57
OPTIONAL PARTS COMPONENTS.....	59
HOW TO MAKE USE OF THIS PARTS LIST.....	61

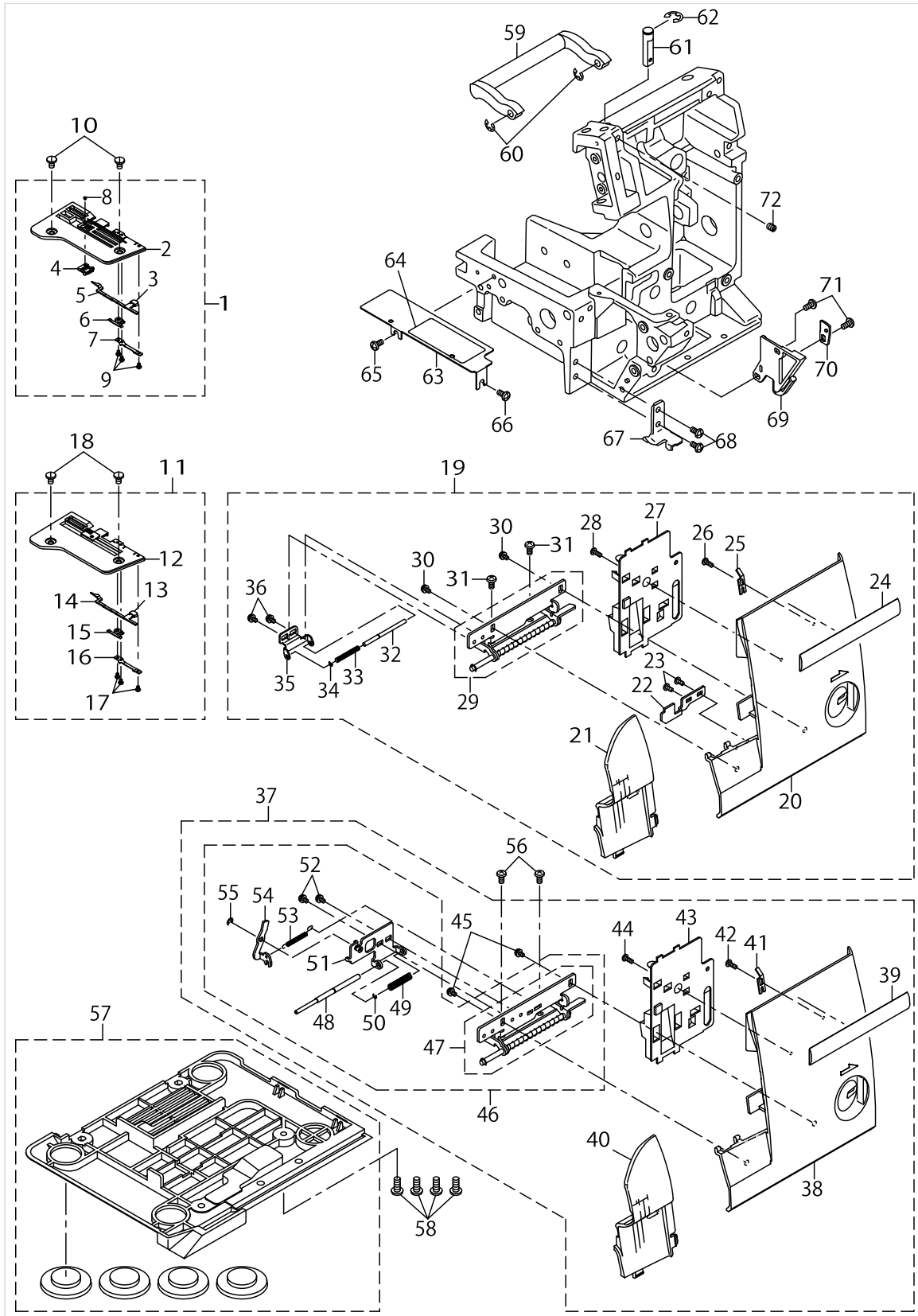
COVER COMPONENTS (1)



COVER COMPONENTS (1)

No.	Supply Code	Parts No.	Replacement	Parts name	Remarks	Choice	Step	Level	Cons	Qty	Rep. QTY
1		A11151300B0		THREAD PLATE TOTAL ASM.	FOR MO-735					1	
2		A11151300A0		THREAD PLATE ASM.				*		1	
3		A116731500AA		STITCH TONGUE CAP				*		1	
4		A1116130000		THREAD PLATE GUIDE				*		1	
5		A1136344000		THREAD PLATE STITCH TONGUE				*		1	
6		A1131203000		CLICK PRESSER SPRING				*		1	
7		A1132334000		STITCH TONGUE GUIDE				*		1	
8		A1172778000		SCREW				*		1	
9		SM4020351SC		SCREW				*		3	
10		A1138335000		SCREW						2	
11		A11153440B0A		THREAD PLATE TOTAL ASM.	FOR MO-734DE					1	
12		A11153440A0A		THREAD PLATE ASM.				*		1	
13		A116731500AA		STITCH TONGUE CAP				*		1	
14		A1136344000		THREAD PLATE STITCH TONGUE				*		1	
15		A1131203000		CLICK PRESSER SPRING				*		1	
16		A1132334000		STITCH TONGUE GUIDE				*		1	
17		SM4020351SC		SCREW				*		3	
18		A1138335000		SCREW						2	
19		A11517340B0		LOOPER COVER TOTAL ASM.	FOR MO-734DE					1	
20		A11517350A0		LOOPER COVER ASM.				*		1	
21		A1152735000		CLICK WASTE COVER				*		1	
22		A1165734000		CLICK WASTE COVER PRESSER PLATE				*		1	
23		ST5030651SN		SCREW				*		3	
24		A1197734000		LOOPER COVER EMBLEM				*		1	
25		A1156776000		LOOPER COVER ADJUSTING PLATE				*		1	
26		ST5030851SN		SCREW				*		1	
27		A1157735000		ACCESSORY PARTS RECEIPT PLATE				*		1	
28		ST5030851SN		SCREW				*		1	
29		A115311A0A0		LOOPER COVER HINGE ASM.				*		1	
30		SL4030631SC		SCREW				*		2	
31		SM5040855SN		SCREW				*		2	
32		A1157535000		SAFETY SW PRESSER PIN				*		1	
33		A1159535000		LOOPER COVER SPRING				*		1	
34		RE020000K0		E-RING				*		1	
35		A115811A000		SAFETY SW PRESSER PLATE				*		1	
36		SL4030631SC		SCREW				*		2	
37		A11517350B0		LOOPER COVER TOTAL ASM.	FOR MO-735					1	
38		A11517350A0		LOOPER COVER ASM.				*		1	
39		A1197735000		LOOPER COVER EMBLEM				*		1	
40		A1152735000		CLICK WASTE COVER				*		1	
41		A1156776000		LOOPER COVER ADJUSTING PLATE				*		1	
42		ST5030851SN		SCREW				*		1	
43		A1157735000		ACCESSORY PARTS RECEIPT PLATE				*		1	
44		ST5030851SN		SCREW				*		1	

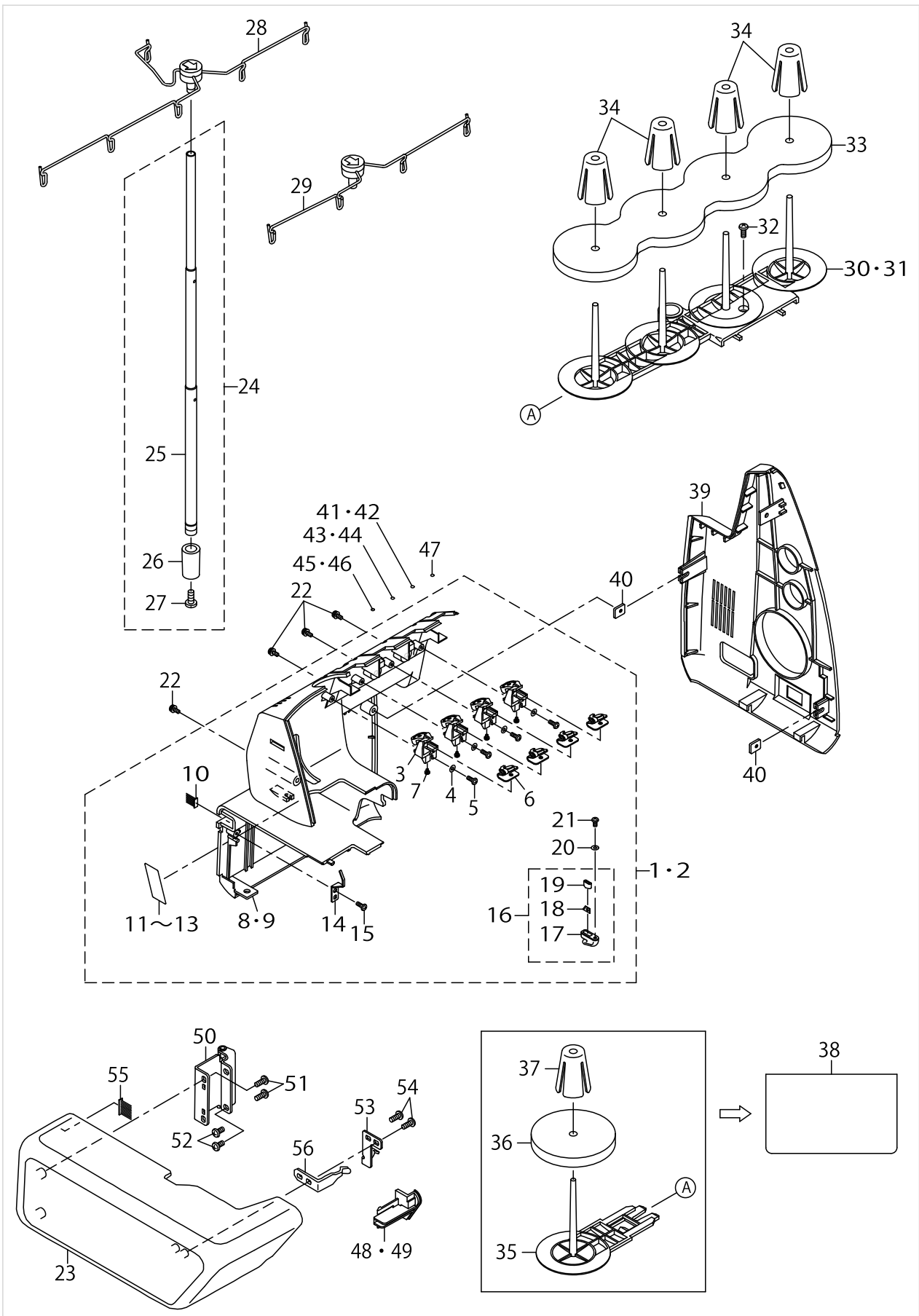
COVER COMPONENTS (1)



COVER COMPONENTS (1)

No.	Supply Code	Parts No.	Replacement	Parts name	Remarks	Choice	Step	Level	Cons	Qty	Rep. QTY
45		SL4030631SC		SCREW				*		2	
46		A11531300B0		LOOPER COVER HINGE TOTAL ASM.				*		1	
47	R	A11531300A0	A11531300B0	LOOPER COVER HINGE ASM.				*		1	1.00
48		A1157130000		SAFETY SW PRESSER PIN				*		1	
49		A1159130000		SAFETY SW PRESSER SPRING				*		1	
50		RE0200000K0		E-RING				*		1	
51		A11581300A0		SAFETY SW PRESSER PLATE ASM.				*		1	
52		SL4030631SC		SCREW				*		2	
53		A1167130000		SAFETY SW RELEASE ARM SPRING				*		1	
54		A1160130000		SAFETY SW RELEASE ARM				*		1	
55		RE0300000K0		E-RING				*		1	
56		SM5040855SN		SCREW						2	
57		A11023230A0		BASE PLATE ASM.						1	
58		SM5051255SN		SCREW						4	
59		A1145110000		HANDLE						1	
60		RE0500000K0		E-RING						2	
61		A1568110000		GUIDE PLATE SUPPORT SHAFT						1	
62		RE0700000K0		E-RING						1	
63		A1135535000		UPPER COVER						1	
64		A1191130000		RUPPER THREADING FIGURE	FOR MO-735					1	
65		SM5040855SN		SCREW						1	
66		SM5040855SN		SCREW						1	
67		A1164535000		CLOTH PLATE PRESSER PLATE						1	
68		SM5040855SN		SCREW						2	
69		A1156110000		LOOPER COVER GUIDE						1	
70		A2538554000		THREAD GUIDE LEVER PLATE						1	
71		SM4040855SN		SCREW						2	
72		SM8050602TP		SCREW						1	

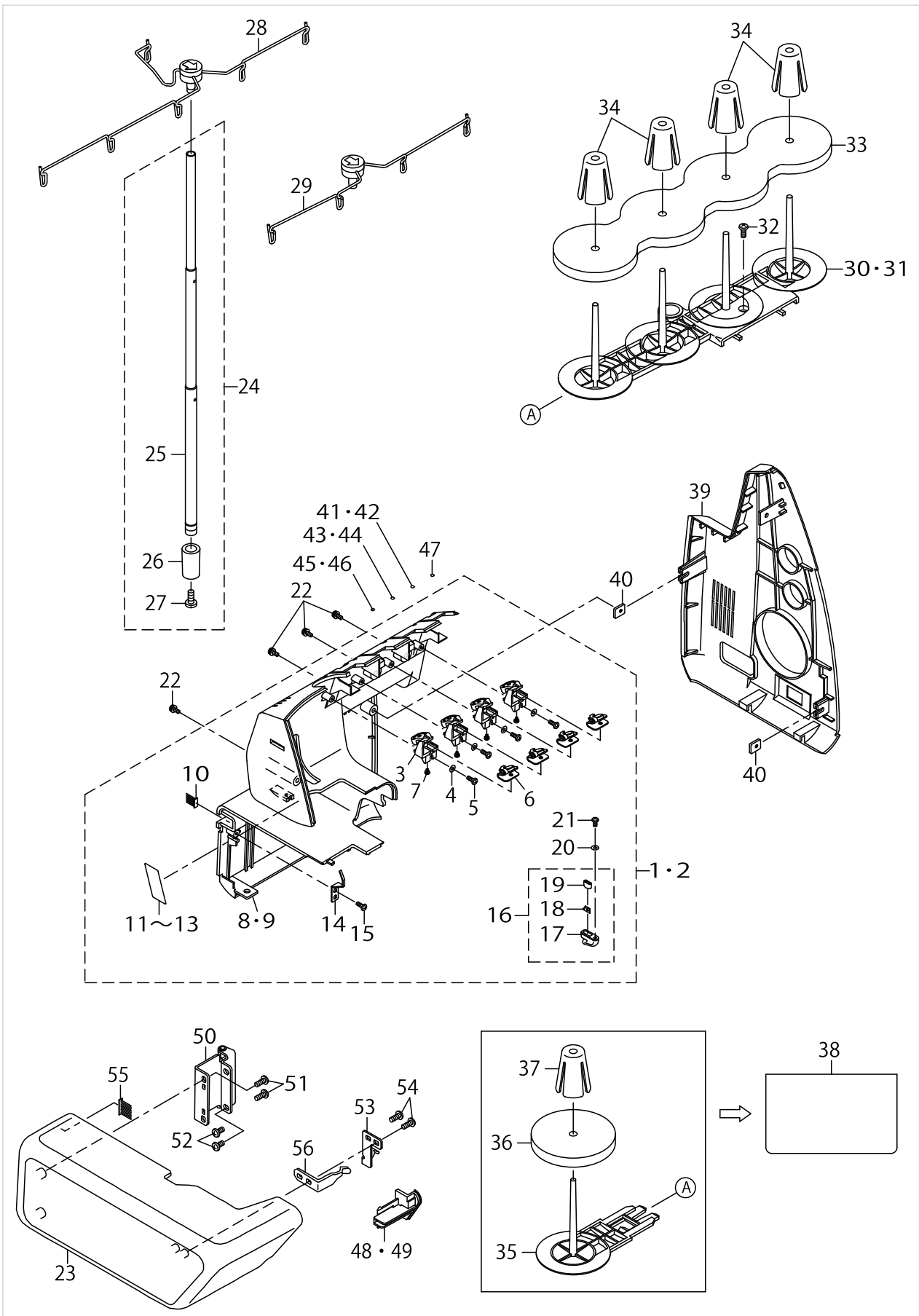
COVER COMPONENTS (2)



COVER COMPONENTS (2)

No.	Supply Code	Parts No.	Replacement	Parts name	Remarks	Choice	Step	Level	Cons	Qty	Rep. QTY
1		A11067350A0		REAR COVER ASM.	FOR MO-735					1	
2		A11063240A0		REAR COVER ASM.	FOR MO-734DE					1	
3		A3303110000A		FIRST THREAD GUIDE FITTING BASE				*		4	
4		WP0320501SC		WASHER				*		4	
5		ST5030851SN		SCREW				*		4	
6		A31017760A0		FIRST THREAD GUIDE ASM.				*		4	
7		SL0020431SC		SCREW				*		4	
8		A1106735A00		REAR COVER	FOR MO-735			*		1	
9		A1106344A00		REAR COVER	FOR MO-734DE			*		1	
10		A3185C09000		PILE A	FOR MO-735			*		1	
11		A3121335A00A		LABEL (UL / CSA)	FOR MO-735			*		1	
12		A3123534000		LABEL (VDE / SAA)	FOR MO-735			*		1	
13		A312111A000		LABEL	FOR MO-734DE			*		1	
14		A1147535000		REAR COVER THREAD GUIDE	FOR MO-735			*		1	
15		ST5030851SN		SCREW	FOR MO-735			*		1	
16		A11381100A0		THREAD CUTTING BASE ASM.				*		1	
17		A1138110000		THREAD CUTTING BASE				*		1	
18		A3120031000		THREAD TRIMMER				*		1	
19		A11399DC000B		THREAD CUTTING HOLDER				*		1	
20		WP0320501SC		WASHER				*		1	
21		ST5030651SN		SCREW				*		1	
22		SL5030831SF		SCREW						4	
23		A1104644000B		CLOTH PLATE						1	
24		A11207760A0B		THREAD RAISING ROD ASM.						1	
25	R	A1120334000	40082787	THREAD RAISING ROD				*		1	1.00
26		A1129776000B		THREAD RAISING ROD HOLDER				*		1	
27		SM5051255SN		SCREW				*		1	
28		A11211300A0		THREAD GUIDE ASM.	FOR MO-735					1	
29		A11211100A0		THREAD GUIDE ASM.	FOR MO-734DE					1	
30		A1118776000B		THREAD RAISING DISH	FOR MO-734DE					1	
31		A1118779000		THREAD RAISING DISH	FOR MO-735					1	
32		ST5041051SN		SCREW						1	
33		A1121776000		FOAM PAD						1	
34		A1120202000		SPOOL RETAINER						4	
35		A1118779A00		THREAD RAISING DISH	FOR MO-735					1	
36		A9750779000		FOAM PAD	FOR MO-735					1	
37		A1120202000		SPOOL RETAINER	FOR MO-735					1	
38		J0231082A00		ACCESSORY PARTS RECEIPT BAG	FOR MO-735					1	
39		A1103324000		SIDE COVER						1	
40		A3151535000		NUT						2	
41		A3155735000		SEAL (BLUE / PINK)	FOR MO-735					1	
42		A3150335000		SEAL (BLUE)	FOR MO-734DE					1	
43		A3157130000		SEAL (GREEN / PINK)	FOR MO-735					1	
44		A3157776000		SEAL (GREEN)	FOR MO-734DE					1	
45		A3156735000		SEAL (YELLOW / PINK / BROWN)	FOR MO-735					1	
46		A3158776000		SEAL (YELLOW)	FOR MO-734DE					1	

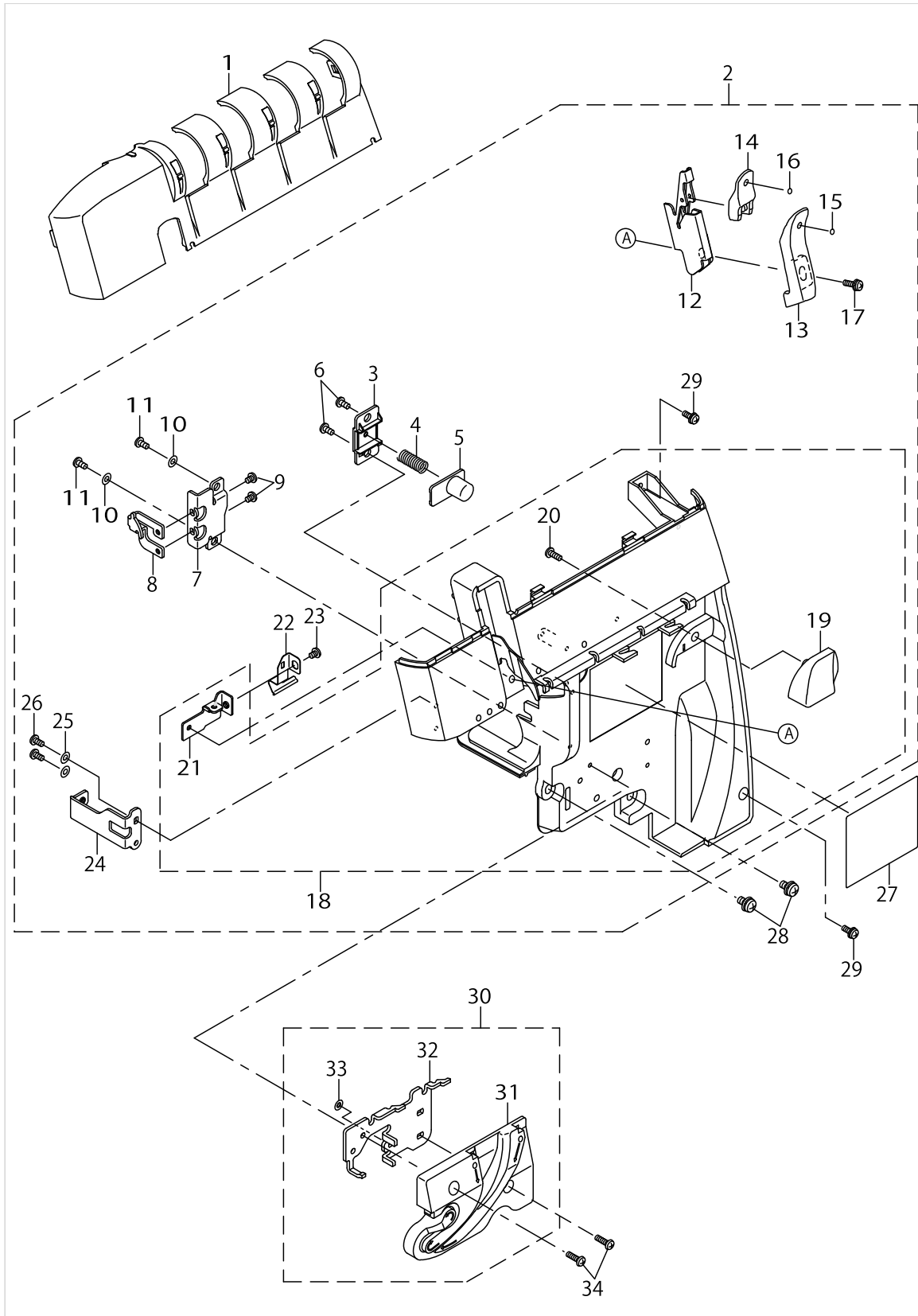
COVER COMPONENTS (2)



COVER COMPONENTS (2)

No.	Supply Code	Parts No.	Replacement	Parts name	Remarks	Choice	Step	Level	Cons	Qty	Rep. QTY
47		A3151335000		SEAL (RED)						1	
48		A1104644A00A		CLOTHPLATECOVER	FOR MO-734DE					1	
49		A1104130000		CLOTHPLATECOVER	FOR MO-735					1	
50		A11615350A0		CLOTH PLATE HINGE ASM.						1	
51		ST5041051SN		SCREW						2	
52		SL5040865SN		SCREW						2	
53		A2154655000A		RELEASE PLATE	FOR MO-735					1	
54		ST5041051SN		SCREW						2	
55		A3186C09000		PILE B	FOR MO-735					1	
56		A1160634000		CLOTH PLATE OPENING SPRING						1	

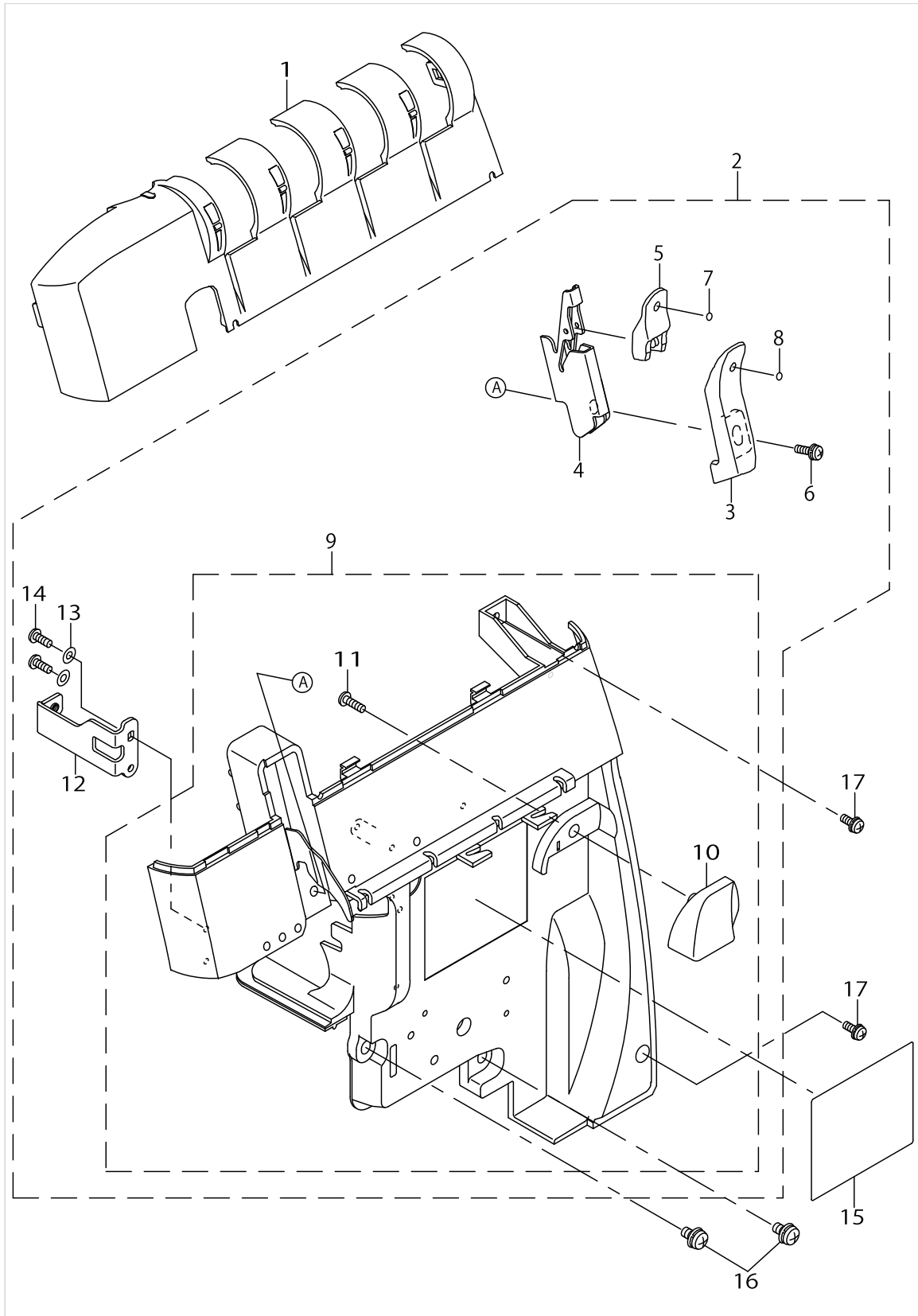
FRONT PANEL COMPONENTS (1)(FOR MO-735)



FRONT PANEL COMPONENTS (1)(FOR MO-735)

No.	Supply Code	Parts No.	Replacement	Parts name	Remarks	Choice	Step	Level	Cons	Qty	Rep. QTY
1		A3102735A00		THREAD TENSION COVER						1	
2		A31017350A0		FRONT COVER ASM.						1	
3		A4119130000		RELEASE BUTTON BASE				*		1	
4		A1574110000		SPRING				*		1	
5		A4118130000		RELEASE BUTTON				*		1	
6		ST5030651SN		SCREW				*		2	
7		A4125130000		RELEASE PLATE FITTING PLATE				*		1	
8		A4124130000A		RELEASE PLATE FITTING PLATE				*		1	
9		SM5030455SN		SCREW				*		2	
10		WP0320501SC		STOPPER WASHER				*		2	
11		ST5030651SN		SCREW				*		2	
12		A3115110000		NEEDLE THREAD BALANCE GUIDE				*		1	
13		A3116110000A		NEEDLE THREAD B- ALANCE GUIDE COVER A				*		1	
14		A3117735000		NEEDLE THREAD B- ALANCE GUIDE COVER B				*		1	
15		A3157776000		SEAL (GREEN)				*		1	
16		A3156735000		SEAL (YELLOW/PINK/BROWN)				*		1	
17		SL5031031SN		SCREW				*		1	
18		A3101735KA0		FRONT COVER ASM.				*		1	
19		A1152110000		RUPPER COVER RE- GULATION BASE				*		1	
20		ST5031051SN		SCREW				*		1	
21		A3118130000		NEEDLE THREAD B- ALANCE FIXING PLATE				*		1	
22		A4117130000		STOPPER SPRING				*		1	
23		SM5030455SN		SCREW				*		1	
24		A3119110000		FRONT COVER FIXING PLATE				*		1	
25		WP0320501SC		WASHER				*		2	
26		ST5030851SN		SCREW				*		2	
27		A1190735000		THREADING FIGURE						1	
28		SL5040835SN		SCREW						2	
29		SL5030831SF		SCREW						2	
30		A25513440B0A		LUPPER THREAD G- UIDE COVER TOTAL ASM.						1	
31		A25513440A0A		LUPPER THREAD G- UIDE COVER ASM.				*		1	
32		A2550344000A		LUPPER THREAD GUIDE PLATE				*		1	
33		A3162775000		STOPPER WASHER				*		1	
34		ST5031051SN		SCREW						2	

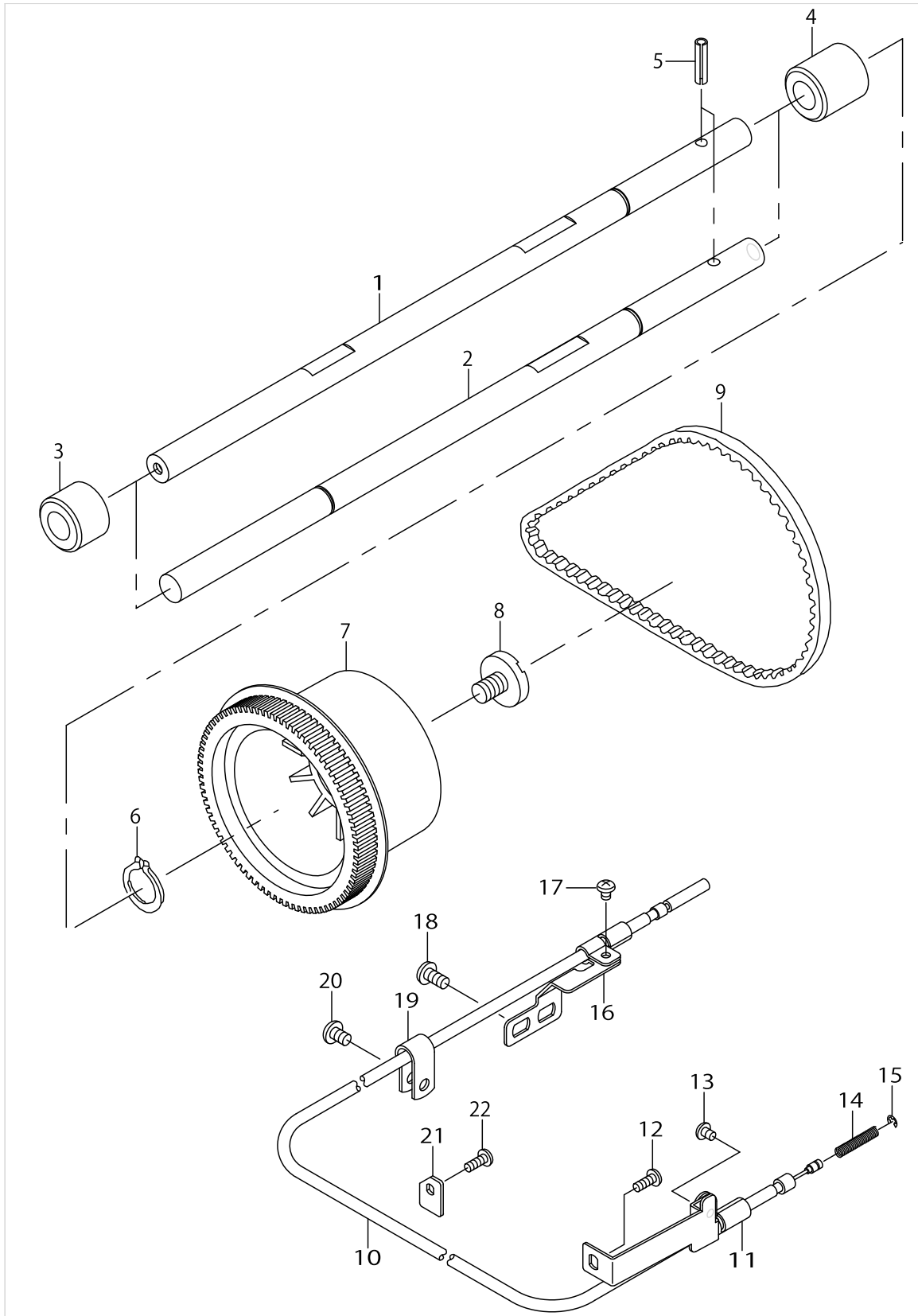
FRONT PANEL COMPONENTS (2)(FOR MO-734DE)



FRONT PANEL COMPONENTS (2)(FOR MO-734DE)

No.	Supply Code	Parts No.	Replacement	Parts name	Remarks	Choice	Step	Level	Cons	Qty	Rep. QTY
1		A3102734A00		THREAD TENSION COVER						1	
2		A31017340A0		FRONT COVER ASM.						1	
3		A3116110000A		NEEDLE THREAD B- ALANCE GUIDE COVER A				*		1	
4		A3115110000		NEEDLE THREAD BALANCE GUIDE				*		1	
5		A3117735000		NEEDLE THREAD B- ALANCE COVER B				*		1	
6		SL5031031SN		SCREW				*		1	
7		A3158776000		SEAL (YELLOW)				*		1	
8		A3157776000		SEAL (GREEN)				*		1	
9		A3101734KA0		FRONT COVER ASM.				*		1	
10		A1152110000		RUPPER COVER RE- GULATION BASE				*		1	
11		ST5031051SN		SCREW				*		1	
12		A3119110000		FRONT COVER FIXING PLATE				*		1	
13		WP0320501SC		WASHER				*		2	
14		ST5030851SN		SCREW				*		2	
15		A1190734000		THREADING FIGURE						1	
16		SL5040835SN		SCREW						2	
17		SL5030831SF		SCREW						2	

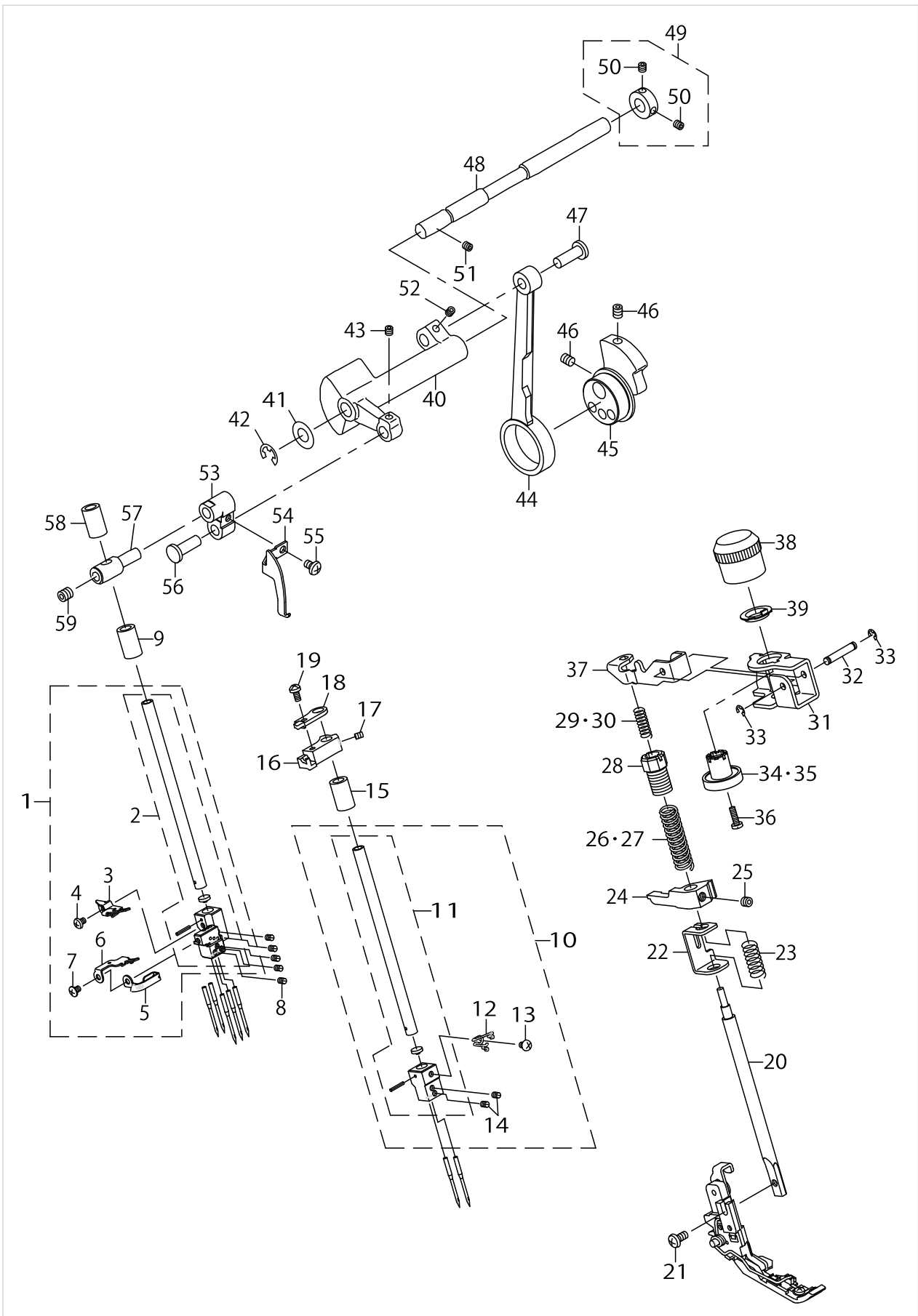
MAIN SHAFT & SAFETY SWITCH COMPONENTS



MAIN SHAFT & SAFETY SWITCH COMPONENTS

No.	Supply Code	Parts No.	Replacement	Parts name	Remarks	Choice	Step	Level	Cons	Qty	Rep. QTY
1	R	A1201130000	40071770	MAIN SHAFT	FOR MO-735					1	1.00
2	R	A1201344000	40071771	MAIN SHAFT	FOR MO-734DE					1	1.00
3		A1206335000		MAIN SHAFT BUSHING FRONT						1	
4		A1206202000		MAIN SHAFT BUSHING REAR						1	
5		PS0400222KH		PIN						1	
6		A1206102000		C-RING						1	
7		A1202323000		HANDWHEEL						1	
8		A1230500000A		HANDWHEEL SETSCREW						1	
9		A1205634000		TIMING BELT						1	
10	D	A6026335EA0		WIRE ASM.						1	
11		A602511A000A		WIRE HOLDER (2)						1	
12		ST5030851SN		SCREW						1	
13		SM4030455SN		SCREW						1	
14		A6033535000		WIRE SPRING						1	
15		RE0200000K0		E-RING						1	
16		A602111A000		WIRE HOLDER (1)						1	
17		SM4030455SN		SCREW						1	
18		SM5040855SN		SCREW						2	
19		HX00150000B		CABLE CLIP						1	
20		SM4040655SN		SCREW						1	
21		A6036535000		WIRE GUIDE						1	
22		ST5030851SN		SCREW						1	

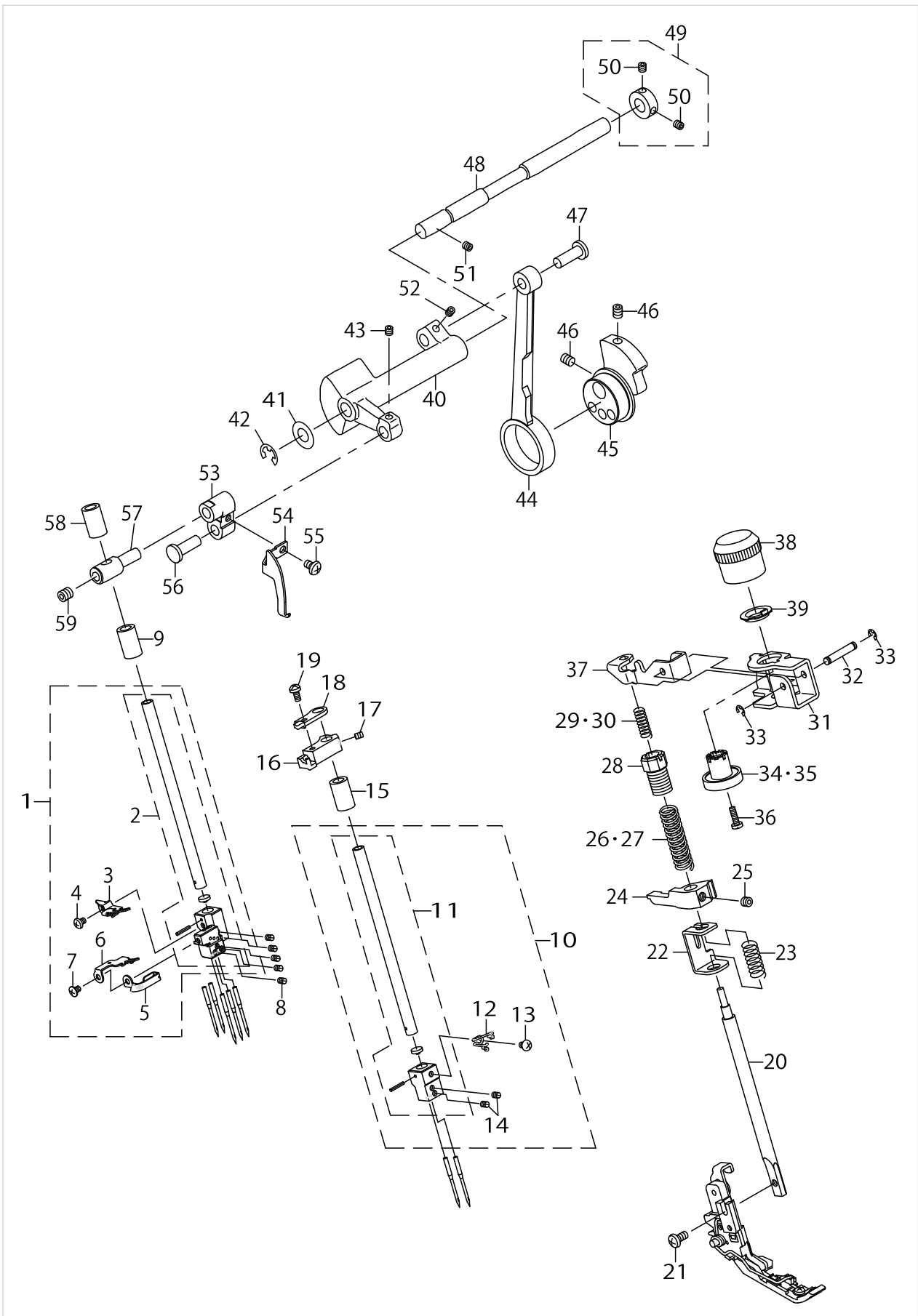
NEEDLE BAR & PRESSER FOOT COMPONENTS (1)



NEEDLE BAR & PRESSER FOOT COMPONENTS (1)

No.	Supply Code	Parts No.	Replacement	Parts name	Remarks	Choice	Step	Level	Cons	Qty	Rep. QTY
1		A14061300B0		NEEDLE BAR TOTAL ASM.	FOR MO-735					1	
2	R	A14061300A0	40123325	NEEDLE BAR ASM.	FOR MO-735			*		1	1.00
3		A1411130000		THREAD GUIDE B	FOR MO-735			*		1	
4		SM4030455SN		SCREW	FOR MO-735			*		1	
5		A14141300A0		THREAD TAKE-UP BASE ASM.	FOR MO-735			*		1	
6		A1410130000		THREAD GUIDE A	FOR MO-735			*		1	
7		SM0030401SC		SCREW	FOR MO-735			*		1	
8		A1416777000		SCREW	FOR MO-735					5	
9		A1407102000		NEEDLE BAR BUSHING	FOR MO-735					1	
10		A14065340B0		NEEDLE BAR TOTAL ASM.	FOR MO-734DE					1	
11		A14065340A0		NEEDLE BAR ASM.	FOR MO-734DE			*		1	
12		A1409534000		NEEDLE BAR THREAD GUIDE	FOR MO-734DE			*		1	
13		SM4030455SN		SCREW	FOR MO-734DE			*		1	
14		A1416777000		SCREW	FOR MO-734DE			*		2	
15		A1407102000		NEEDLE BAR BUSHING	FOR MO-734DE					1	
16		A142011A000		THREADING ADJUSTING BASE A	FOR MO-734DE					1	
17		SM8030402TP		SCREW	FOR MO-734DE					1	
18		A142111A000		THREADING ADJUSTING BASE	FOR MO-734DE					1	
19		SM5030655SN		SCREW	FOR MO-734DE					1	
20		A1507110000		PRESSER BAR						1	
21		SM5040855SN		SCREW						1	
22		A1522110000		PRESSER FLOAT BASE						1	
23		A1523110000		SPRING						1	
24		A1502110000		PRESSER BAR GUIDE BRACKET						1	
25		SM8050402TP		SCREW						1	
26		A1502130000A		PRESSER SPRING	FOR MO-735					1	
27		A1501535000		PRESSER SPRING	FOR MO-734DE					1	
28		A1528110000		SCREW						1	
29		A1508130000A		SPRING	FOR MO-735					1	
30		A1508110000		SPRING	FOR MO-734DE					1	
31		A1525110000		ADJUSTING BASE						1	
32		A1527110000		PRESSER ADJUSTING ARM SHEFT						1	
33		RE0300000K0		E-RING						2	
34		A1511130000		ADJUSTING CAM	FOR MO-735					1	
35		A1511110000		ADJUSTING CAM	FOR MO-734DE					1	
36		ST5031051SN		SCREW						1	
37		A1526110000		ADJUSTING ARM						1	
38		A1510110000A		ADJUSTING PICK-UP						1	
39		A4132535000		LOWER KNIFE ADJUSTING BASE BUSHING						1	
40		A1402110000		NEEDLE BAR CRANK						1	
41		WP0820516SP		WASHER						1	
42		RE0600000K0		E-RING						1	
43		SM8040402TP		SCREW						1	
44		A1403335000A		NEEDLE BAR CRANK ROD						1	
45		A1401535000A		NEEDLE BAR DRIVING CAM						1	
46		SM8050602TP		SCREW						2	

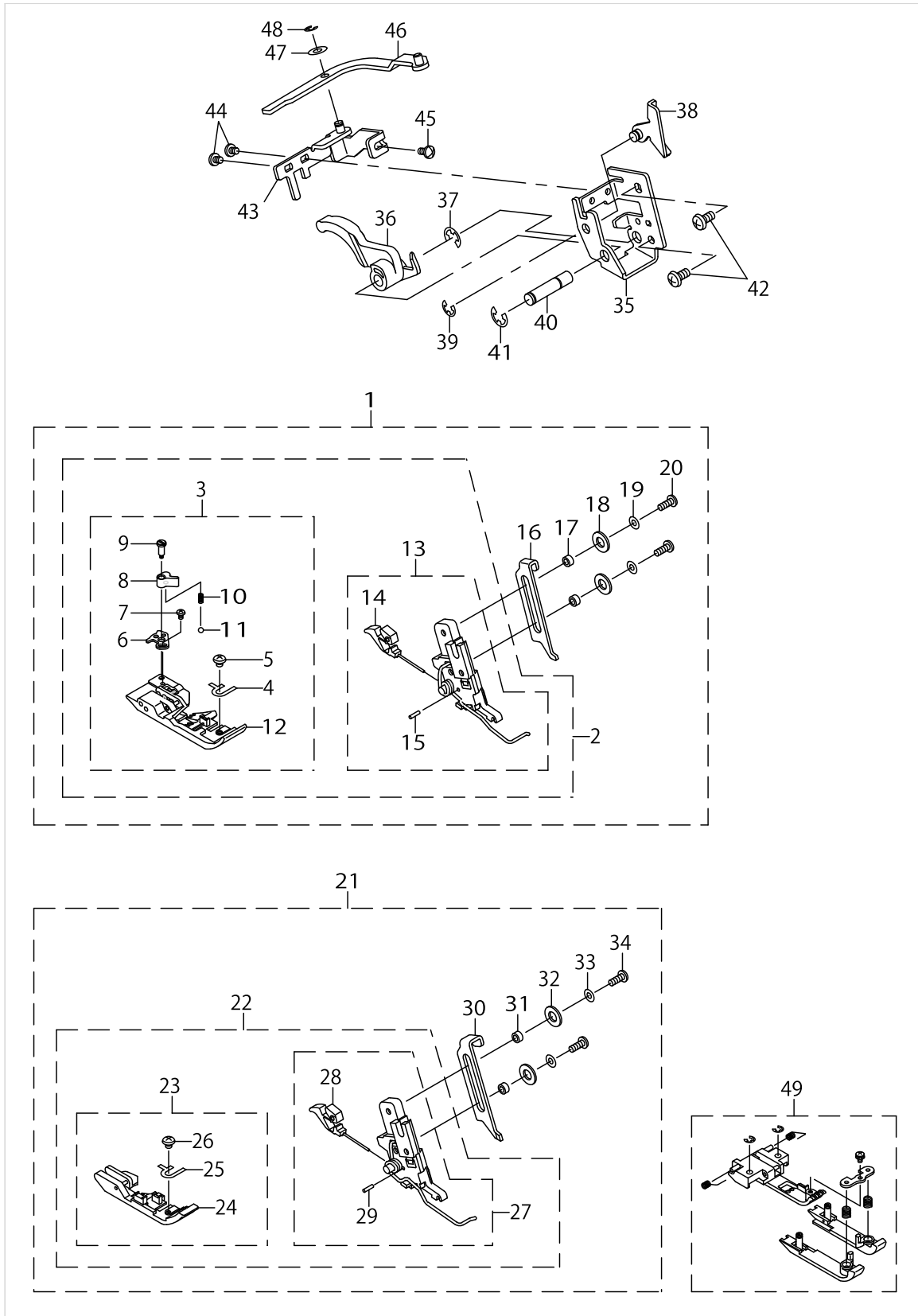
NEEDLE BAR & PRESSER FOOT COMPONENTS (1)



NEEDLE BAR & PRESSER FOOT COMPONENTS (1)

No.	Supply Code	Parts No.	Replacement	Parts name	Remarks	Choice	Step	Level	Cons	Qty	Rep. QTY
47		A1403102000		CONNECTING PIN						1	
48		A1404535000		NEEDLE BAR DRIVING SHAFT						1	
49		A14145020A0		THRUST COLLAR ASM.						1	
50		SM8040402TP		SCREW				*		2	
51		SM8040402TP		SCREW						1	
52		SM8040402TP		SCREW						1	
53		A1412535000		NEEDLE BAR LINK						1	
54		A1412110000		NEEDLE THREAD TAKE-UP						1	
55		SM4040655SN		SCREW						1	
56		A1403102000		CONNECTING PIN						1	
57		A1411335000		NEEDLE BAR GUIDE BRACKET						1	
58		A1407102000		NEEDLE BAR BUSHING						1	
59		SM8060602TP		SCREW						1	

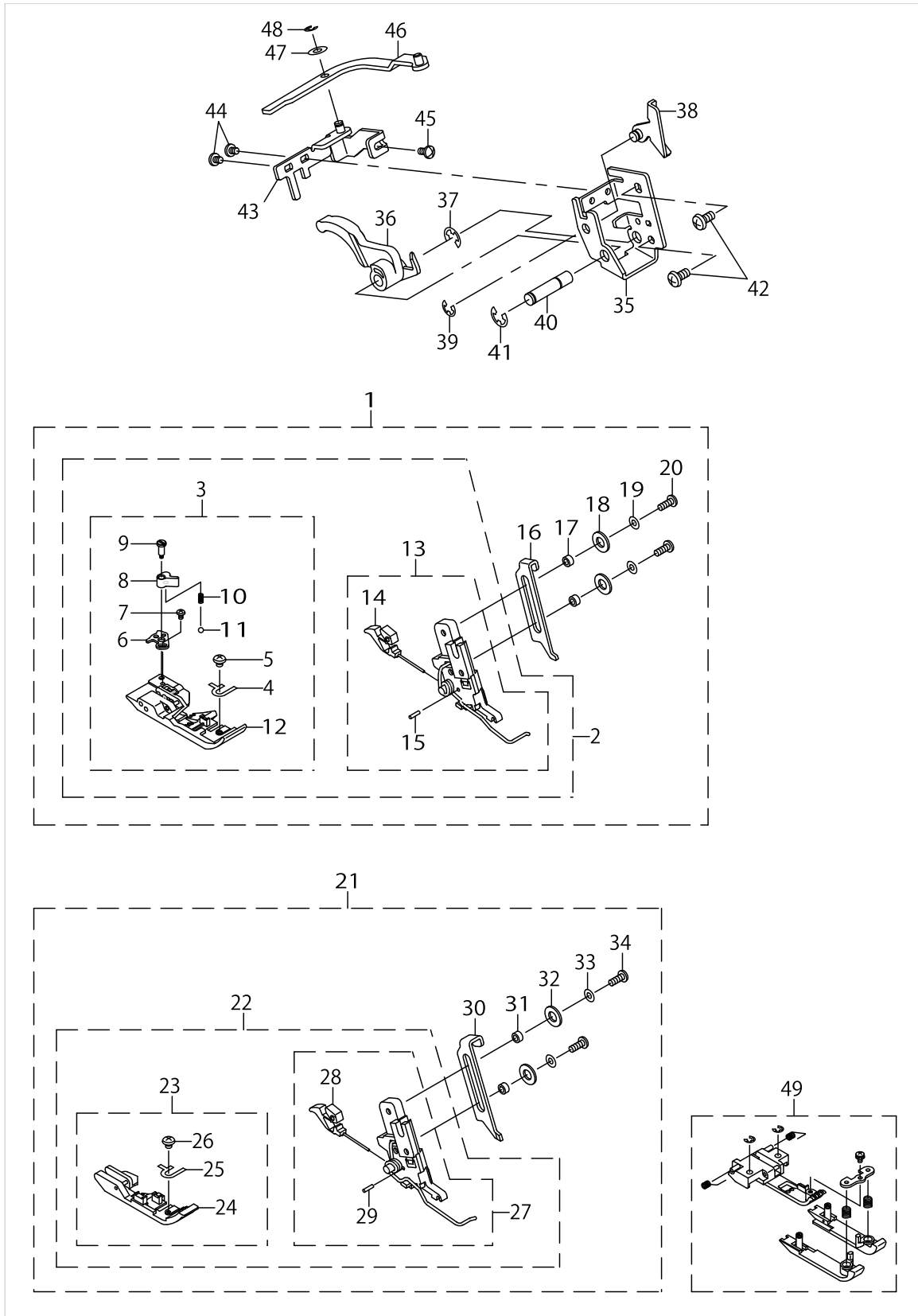
NEEDLE BAR & PRESSER FOOT COMPONENTS (2)



NEEDLE BAR & PRESSER FOOT COMPONENTS (2)

No.	Supply Code	Parts No.	Replacement	Parts name	Remarks	Choice	Step	Level	Cons	Qty	Rep. QTY
1	R	A15011300D0	40122096	PRESSER TOTAL ASM.	FOR MO-735					1	1.00
2	R	A15011300C0	A15011300C0C	PRESSER TOTAL ASM.	FOR MO-735			*		1	1.00
3		A15011300B0		PRESSER ASM.	FOR MO-735			*		1	
4		A1550334000		TAPE GUIDE PLATE	FOR MO-735			*		1	
5		SM4030301SC		SCREW	FOR MO-735			*		1	
6	R	A1505130000	40122098	TAPE GUIDE PLATE	FOR MO-735			*		1	1.00
7		SM4020351SC		SCREW	FOR MO-735			*		1	
8		A1504130000		C/S LIFT LIVER	FOR MO-735			*		1	
9		A1507130000		C/S LIFT LIVER SHAFT	FOR MO-735			*		1	
10		A1509130000		C/S LIFT LIVER FIXING SPRING	FOR MO-735			*		1	
11		A1512130000		C/S LIFT LIVER FIXING SPHERE	FOR MO-735			*		1	
12		A15011300A0		PRESSER COMPL.	FOR MO-735			*		1	
13		A15141300B0		PRESSER FOOT ASM.	FOR MO-735			*		1	
14		A1518335000		PRESSER LIVER	FOR MO-735			*		1	
15		A1508134000		PIN	FOR MO-735			*		1	
16		A1520130000		PRESSERFLOATLINK	FOR MO-735			*		1	
17		A152111000C		PRESSER FLOAT LINK COLLAR	FOR MO-735			*		2	
18		WP0531001SC		WASHER	FOR MO-735			*		2	
19		WP0320501SC		WASHER	FOR MO-735			*		2	
20		SM5030855SN		SCREW	FOR MO-735			*		2	
21	R	A150112A0D0	A150112A0D0A	PRESSER TOTAL ASM.	FOR MO-734DE					1	1.00
22	R	A15013440C0	A15013440C0A	PRESSER TOTAL ASM.	FOR MO-734DE			*		1	1.00
23		A15013440B0		PRESSER ASM.	FOR MO-734DE			*		1	
24	R	A15013440A0	A15013440C0A	PRESSER COMPL.	FOR MO-734DE			*		1	1.00
25		A1550334000		TAPE GUIDE PLATE	FOR MO-734DE			*		1	
26		SM4030301SC		SCREW	FOR MO-734DE			*		1	
27	R	A15141100B0A	A15141100B0B	PRESSER FOOT ASM.	FOR MO-734DE			*		1	1.00
28		A1518335000		PRESSER LIVER	FOR MO-734DE			*		1	
29		A1508134000		PIN	FOR MO-734DE			*		1	
30		A1520130000		PRESSERFLOATLINK	FOR MO-734DE			*		1	
31		A152111000C		PRESSER FLOAT LINK COLLAR	FOR MO-734DE			*		2	
32		WP0531001SC		WASHER	FOR MO-734DE			*		2	
33		WP0320501SC		WASHER	FOR MO-734DE			*		2	
34		SM5030855SN		SCREW	FOR MO-734DE			*		2	
35		A1504110000A		LIFTING LEVER SET PLATE						1	
36		A1506130000		LIFTING LEVER						1	
37		RE0500000K0		E-RING						1	
38		A15611100A0		DRIVING ARM ASM.						1	
39		RE0400000K0		E-RING						1	
40		A1505110000		PRESSER LIFTING LEVER SHAFT						1	
41		RE0500000K0		E-RING						1	
42		SM5040855SN		SCREW						2	
43		A15643240A0		PRESSER ROD HOLDER GUIDE PLATE						1	
44		SM5030455SN		SCREW						2	
45		SM5030655SN		SCREW						1	
46		A15701100A0		DISH FLOAT LINK ASM.						1	

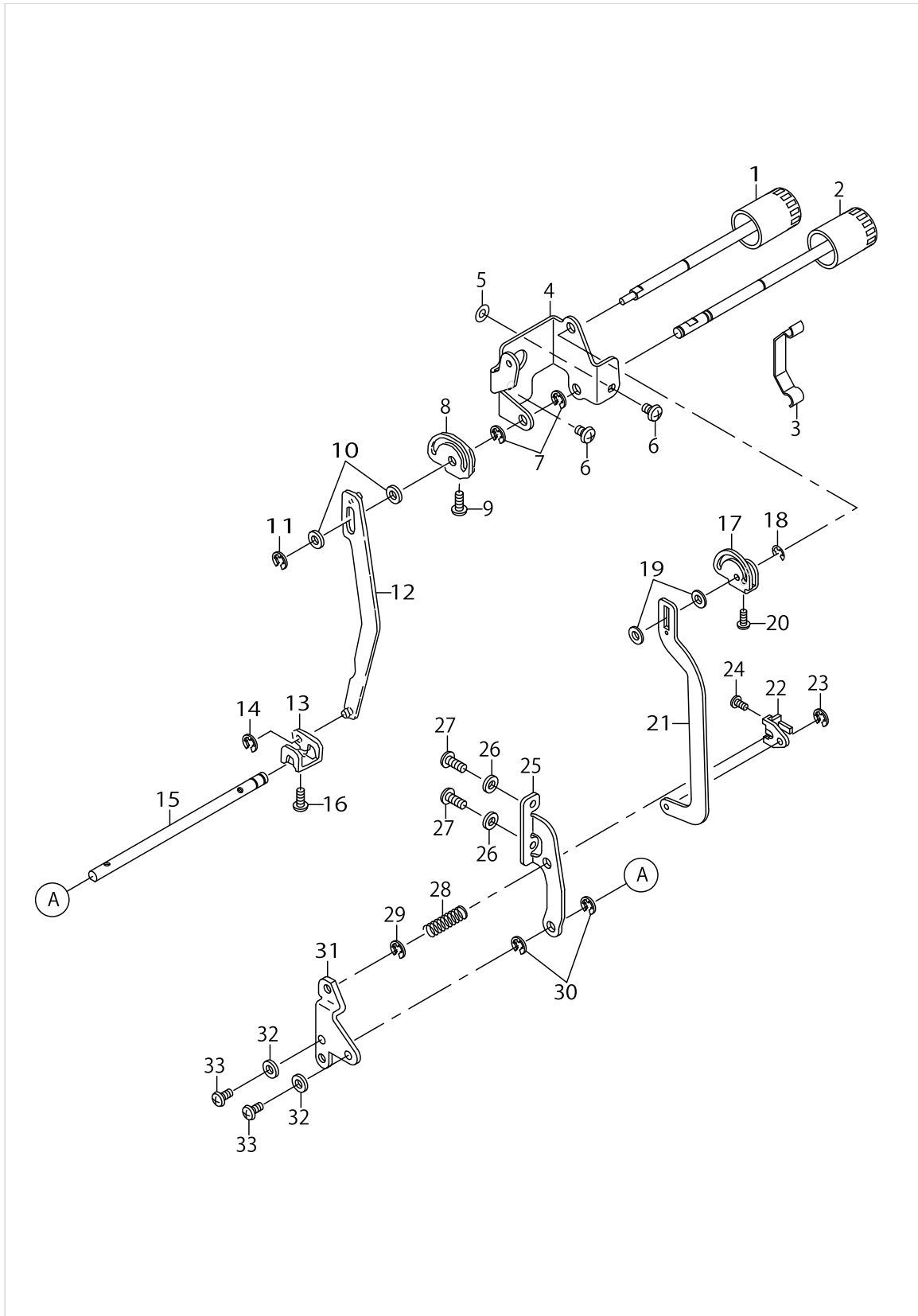
NEEDLE BAR & PRESSER FOOT COMPONENTS (2)



NEEDLE BAR & PRESSER FOOT COMPONENTS (2)

No.	Supply Code	Parts No.	Replacement	Parts name	Remarks	Choice	Step	Level	Cons	Qty	Rep. QTY
47		WP0430801SC		WASHER						1	
48		RE0300000K0		E-RING						1	
49		A15511300B0		COVER RING PRESSER TOTAL ASM.	FOR MO-735					1	

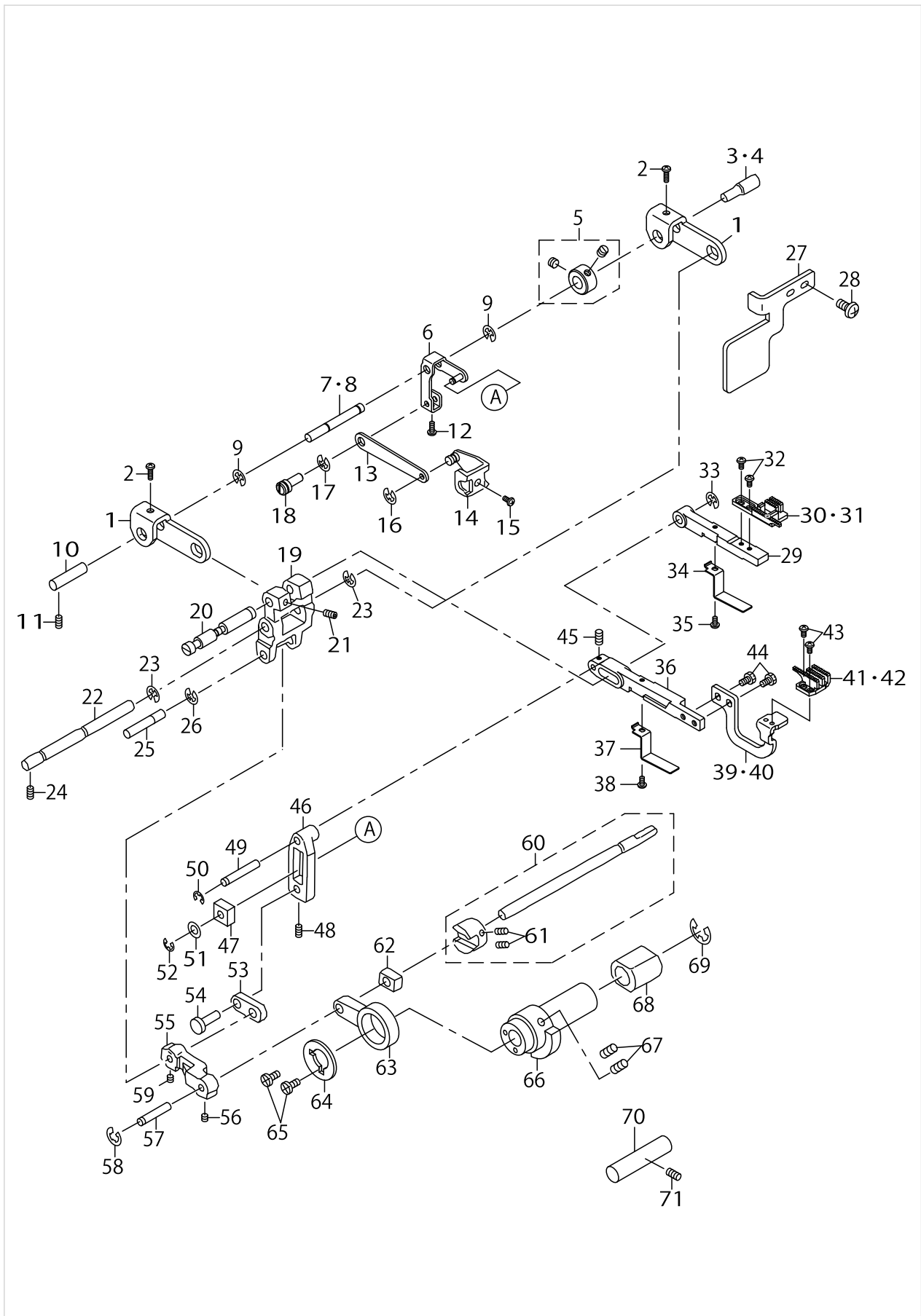
FEED MECHANISM COMPONENTS (1)



FEED MECHANISM COMPONENTS (1)

No.	Supply Code	Parts No.	Replacement	Parts name	Remarks	Choice	Step	Level	Cons	Qty	Rep. QTY
1		A1601110000A		MAIN FEED ADJUSTING KNOB						1	
2		A1602110000A		DIF.FEED ADJUSTING KNOB						1	
3		A1611655000		SHAFT PRESSING PLATE						1	
4		A1610655000		KNOB SETTING PLATE						1	
5		A1614655000		WASHER						1	
6		SM5040655SN		SCREW						2	
7		RE0400000K0		E-RING						2	
8		A1615534D00		DIF FEED ADJUSTING CAM						1	
9		SM5030855SN		SCREW						1	
10		A1614534D00		WASHER						2	
11		RE0400000K0		E-RING						1	
12		A1620534DA0		DIF.FEED ADJUSTI- NG LINK (B) ASM.						1	
13		A1655534D00		DIF.FEED ADJUSTING ARM(C)						1	
14		RE0300000K0		E-RING						1	
15		A1662655000A		DIF.FEEDD ADJUSTING SHAFT						1	
16		SM5030655SN		SCREW						1	
17		A1613655000		MAIN FEED ADJUSTING CAM						1	
18		RE0400000K0		E-RING						1	
19		A1614655000		WASHER						2	
20		SM5030855SN		SCREW						1	
21		A16196550A0		MAIN FEED ADJUSTING LINK ASM.						1	
22		A1630534D00		MAIN FEED ADJUSTING ARM						1	
23		RE0300000K0		E-RING						1	
24		SM5030655SN		SCREW						1	
25		A1634655000A		ADJUSTING SHAFT PLATE						1	
26		WP0430801SC		WASHER						2	
27		SM5041055SN		SCREW						2	
28		A1633534D00		SPRING						1	
29		RE0500000K0		E-RING						1	
30		RE0500000K0		E-RING						2	
31		A1635534D00		FEED ADJUSTING SHAFT HOLDER						1	
32		A1636534D00		WASHER						2	
33		SM5041055SN		SCREW						2	

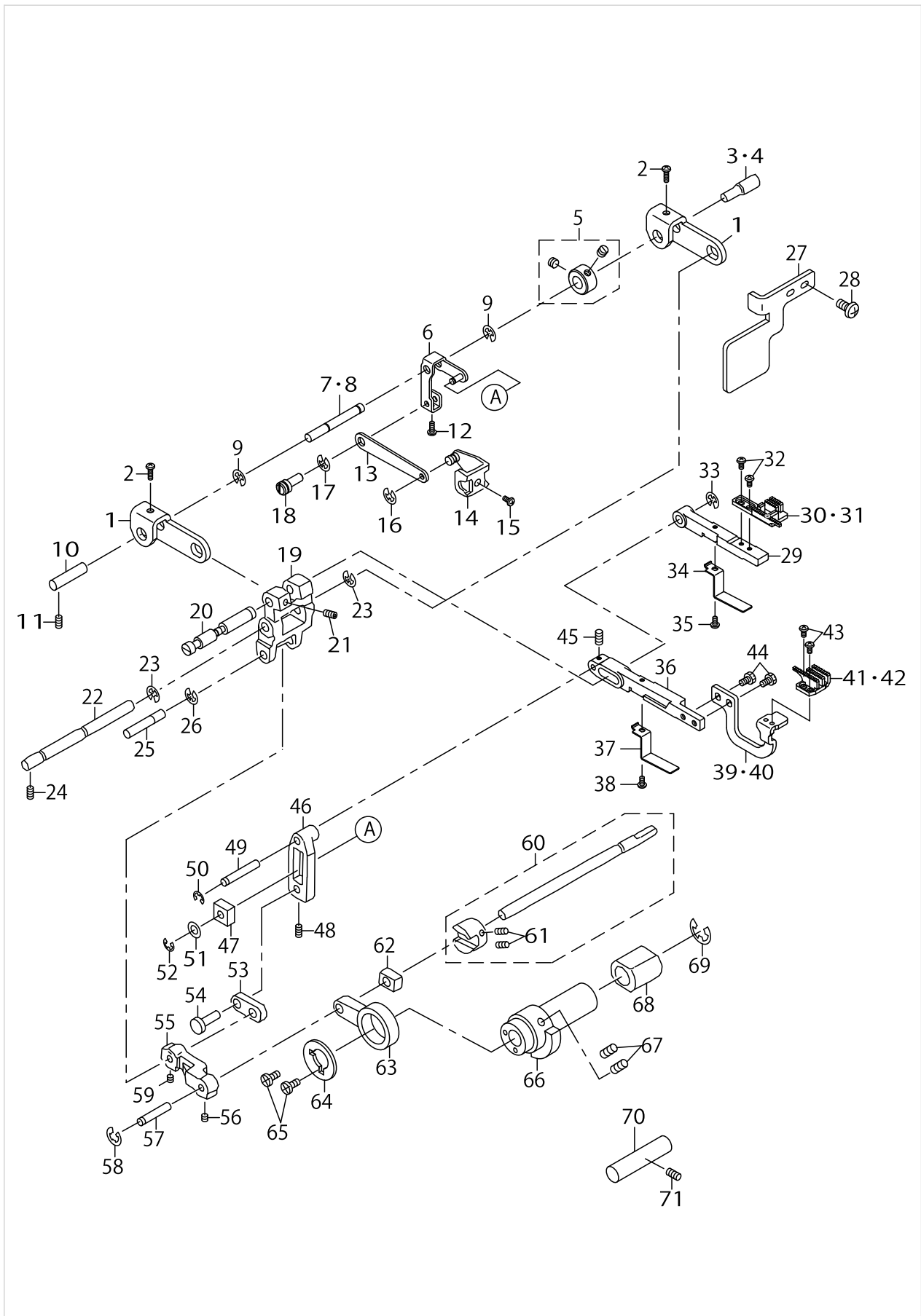
FEED MECHANISM COMPONENTS (2)



FEED MECHANISM COMPONENTS (2)

No.	Supply Code	Parts No.	Replacement	Parts name	Remarks	Choice	Step	Level	Cons	Qty	Rep. QTY
1		A1660534D00A		DIF.FEED SHAFT HOLDER						2	
2		SM5031001SN		SCREW						2	
3		A1664655000		DIF.FEED SHAFT(B)	FOR MO-735					1	
4		A1664534D00		DIF.FEED SHAFT(B)	FOR MO-734DE					1	
5		A16637760A0		DIF.FEED ADJUSTI- NG COLLAR ASM.	FOR MO-735					1	
6		A16618000A0		DIF.FEED ADJUSTI- NG ARM (A) ASM.						1	
7		A1659534D00A		SHAFT	FOR MO-735					1	
8		A1660800000		SHAFT	FOR MO-734DE					1	
9		RE0500000K0		E-RING	FOR MO-7- 35(1 PC. IS USED.) FOR MO-734DE- (2 PC. ARE USED.)					2	
10		A1663534D00		DIF.FEED SHAFT (A)						1	
11		SM8040402TP		SCREW						1	
12		SM5030855SN		SCREW						1	
13		A1653776000		DIF.FEED ADJUSTING LINK						1	
14		A1657534DA0		DIF.FEED ADJUSTI- NG ARM(B) ASM.						1	
15		SM5030655SN		SCREW						1	
16		RE0300000K0		E-RING						1	
17		RE0500000K0		E-RING						1	
18		A1654776000A		DIF.FEED ADJUSTING PIN						1	
19		A1645534D00		MAIN FEED ARM						1	
20		A1646534D00		BASE SUPPORTING SHAFT						1	
21		SM8040402TP		SCREW						1	
22		A1647534D00		MAIN FEED SHAFT						1	
23		RE0500000K0		E-RING						2	
24		SM8040402TP		SCREW						1	
25		A1641534D00		SHAFT						1	
26		RE0400000K0		E-RING						1	
27		A1613535000		FEED BASE GUIDE PLATE						1	
28		SM4040655SN		SCREW						2	
29		A1625800000		FEED BASE						1	
30	R	A1627130000	A1627130000A	MAIN FEED DOG	FOR MO-735	B				1	1.00
31		A1627655000		MAIN FEED DOG	FOR MO-734DE					1	
32		SM4030655SP		SCREW						2	
33		RE0500000K0		E-RING						1	
34		A1616030Z00		SPRING						1	
35		SM4030655SP		SCREW						1	
36		A1639800000		DIF.FEED BASE						1	
37		A1616030Z00		SPRING						1	
38		SM4030655SP		SCREW						1	
39		A1648130000		DIF.FEED SETTING BASE	FOR MO-735					1	
40		A1648655000		DIF.FEED SETTING BASE	FOR MO-734DE					1	
41	R	A1642130000	40122104	DIF.FEED DOG	FOR MO-735					1	1.00
42		A164265500CA		DIF.FEED DOG	FOR MO-734DE					1	
43		SM4030655SP		SCREW						2	

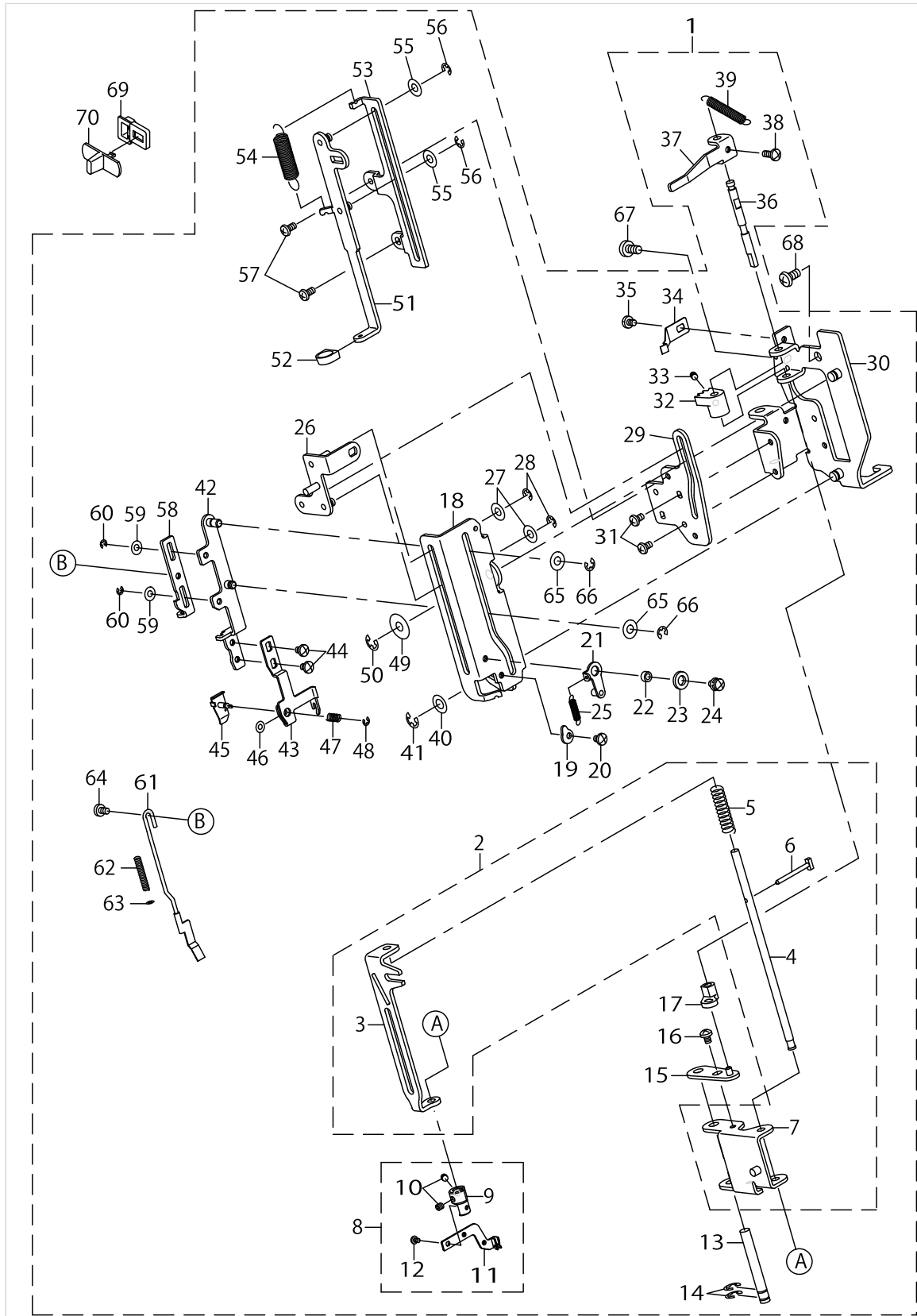
FEED MECHANISM COMPONENTS (2)



FEED MECHANISM COMPONENTS (2)

No.	Supply Code	Parts No.	Replacement	Parts name	Remarks	Choice	Step	Level	Cons	Qty	Rep. QTY
44		SM9040700SP		SCREW							2
45		SM8030302TP		SCREW							1
46		A1651534D00		DIF.FEED ARM							1
47		A1652534D00		BLOCK							1
48		SM8030402TP		SCREW							1
49		A1665534D00		SHAFT							1
50		RE0300000K0		E-RING							1
51		WP0430801SC		WASHER							1
52		RE0300000K0		E-RING							1
53		A1650534D00		DIF.FEED LINK							1
54		A2529335000		PIN							1
55		A1640534D00		MAIN FEED LINK							1
56		SM8030402TP		SCREW							1
57		A1639534D00		MAIN FEED SLIDE BLOCK SHAFT							1
58		RE0400000K0		E-RING							1
59		SM8030402TP		SCREW							1
60		A1637534DA0		MAIN FEED ADJUSTING ASM.							1
61		SM8030402TP		SCREW					*		2
62		A1638776000		MAIN FEED SLIDE BLOCK							1
63		A1616534D00		MAIN FEED ROD							1
64		A1618534D00		MAIN FEED THRUST PLATE							1
65		A1618534D0A		SCREW							2
66		A1617534D00A		VERTICAL / HOLIZ- ONTAL FEED CAM							1
67		SM8040602TP		SCREW							2
68		A1630535000		VERTICAL FEED ADS.							1
69		RE0900000K0		E-RING	FOR MO-734DE						1
70		A1612535000		FEED BASE GUIDE ROD							1
71		SM8040402TP		SCREW							1

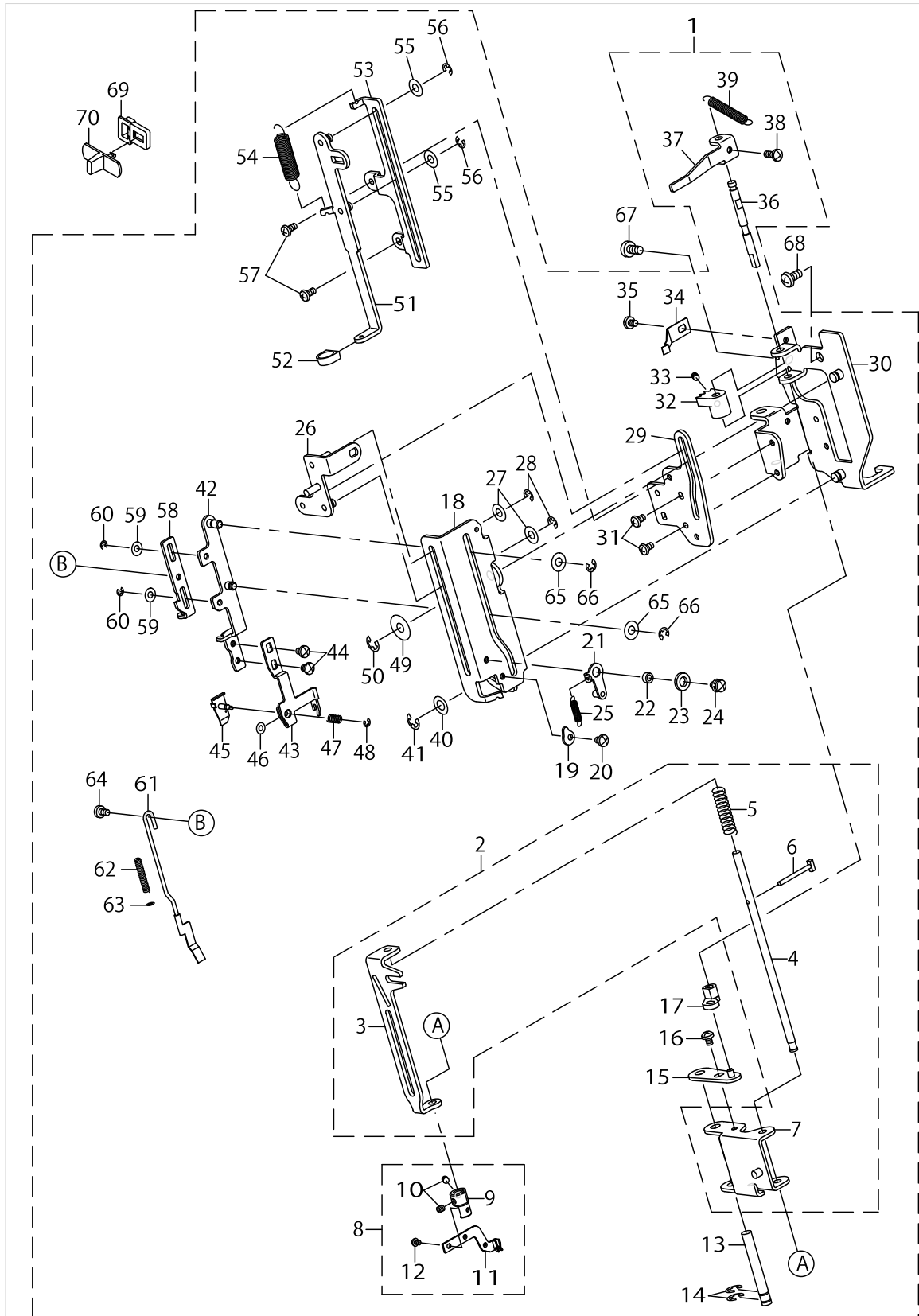
NEEDLE THROWING DEVICE FITTING BASE COMPONENTS (FOR MO-734DE)



NEEDLE THROWING DEVICE FITTING BASE COMPONENTS (FOR MO-734DE)

No.	Supply Code	Parts No.	Replacement	Parts name	Remarks	Choice	Step	Level	Cons	Qty	Rep. QTY
1		A142511A0A0		NEEDLE THREADING DEVICE FITTING BASE ASM						1	
2		A142711A0B0		RIGHT AND LEFT R- OCKING BASE COMPL.				*		1	
3		A143011A000		THREADING SHAFT SUPPORT PLATE				*		1	
4		A142911A000		THREADING SHAFT				*		1	
5		A143211A000		SPRING				*		1	
6		A143111A000		PIN				*		1	
7		A142711A0A0		ROCKING BASE ASM.				*		1	
8		A143611A0A0		THREADING HOOK HOLDER ASM.				*		1	
9		A143611A000		THREADING HOOK HOLDER				*		1	
10		SM8030302TP		SCREW				*		2	
11		A143711A0A0		THREADING HOOK ASM.				*		1	
12		SM4020301SC		SCREW				*		1	
13		A143511A000		ROCKING FULCRUM SHAFT				*		1	
14		RE0400000K0		E-RING				*		1	
15		A143311A0A0		ADJUSTING PLATE ASM.				*		1	
16		SM5030455SN		SCREW				*		1	
17		A144011A000		CHANGE CAM				*		1	
18		A145011A000A		FRONT AND THE R- EAR ROCKING BASE				*		1	
19		A4124335000		LOWER KNIFE SUPPORT PLATE				*		1	
20		SM5030455SN		SCREW				*		1	
21		A147011A0A0		LATCH PLATE ASM.				*		1	
22		A152111000C		LINK COLLAR				*		1	
23		A142711A000		WASHER				*		1	
24		SL5030531SF		SCREW				*		1	
25		A147411A000		SPRING				*		1	
26		A147511A0A0A		WIPER DRIVING LINK ASM.				*		1	
27		WP0430801SC		WASHER				*		2	
28		RE0300000K0		E-RING				*		2	
29		A148011A000		FRONT AND THE R- EAR REGULATION BASE				*		1	
30		A142511A0A0		THREADING DEVICE FITTING BASE ASM.				*		1	
31		SM5030655SN		SCREW				*		2	
32		A144111A000		RIGHT AND LEFT CHANGE BASE				*		1	
33		SM8030402TP		SCREW				*		1	
34		A144311A000		CHANGE BASE PRESSER SPRING				*		1	
35		SM5030455SN		SCREW				*		1	
36		A144211A000		CHANGE CAM SHAFT				*		1	
37		A144411A000		CHANGE LEVER				*		1	
38		SM5030855SN		SCREW				*		1	
39		A145111A000		ROCKING BASE SPRING				*		1	
40		WP0531001SC		WASHER				*		1	
41		RE0400000K0		E-RING				*		1	
42		A145311A0A0A		WIPER BASE ASM.				*		1	
43		A146311A000		WIPER				*		1	
44		SM5030455SN		SCREW				*		2	

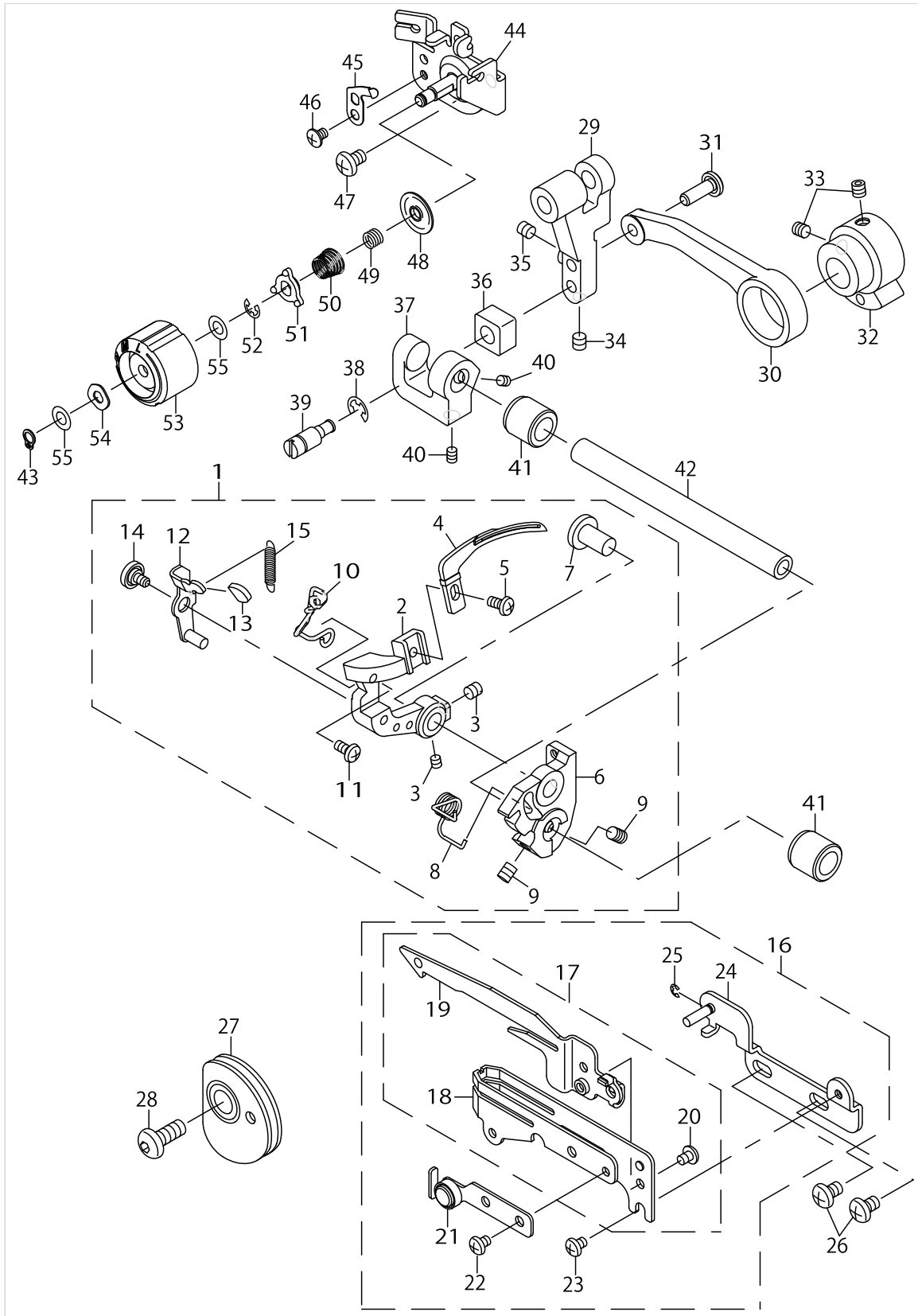
NEEDLE THROWING DEVICE FITTING BASE COMPONENTS (FOR MO-734DE)



NEEDLE THROWING DEVICE FITTING BASE COMPONENTS (FOR MO-734DE)

No.	Supply Code	Parts No.	Replacement	Parts name	Remarks	Choice	Step	Level	Cons	Qty	Rep. QTY
45		A146411A0A0		PRETENSION PLATE ASM.				*		1	
46		WP0260116RZ		WASHER				*		1	
47		A146611A000		PRETENSION SPRING				*		1	
48		RE0200000K0		E-RING				*		1	
49		WP0501046SC		WASHER				*		1	
50		RE0400000K0		E-RING				*		1	
51		A148311A0A0		THREADING LEVER ASM.				*		1	
52		A1430096000A		THREADING LEVER CAP				*		1	
53		A148511A000		THREADING LEVER FITTING BASE				*		1	
54		A148611A000		THREADING LEVER SPRING				*		1	
55		WP0430801SC		WASHER				*		2	
56		RE0300000K0		E-RING				*		2	
57		SM5030655SN		SCREW				*		2	
58		A145711A000		PRETEN RELEASE PLATE				*		1	
59		WP0320501SC		WASHER				*		2	
60		RE0200000K0		E-RING				*		2	
61		A145911A0A0		DISH FLOAT PLATE				*		1	
62		A146111A000		SPRING				*		1	
63		A146211A000		SPRING WASHER				*		1	
64		SL5030531SF		SCREW				*		1	
65		WP0430801SC		WASHER				*		2	
66		RE0300000K0		E-RING				*		2	
67		SM5040855SN		SCREW						1	
68		SM5040855SN		SCREW						1	
69		A144611A000		CHANGE PICK-UP FITTING BASE						1	
70		A144511A000A		RIGHT AND LEFT C-HANGE PICK-UP						1	

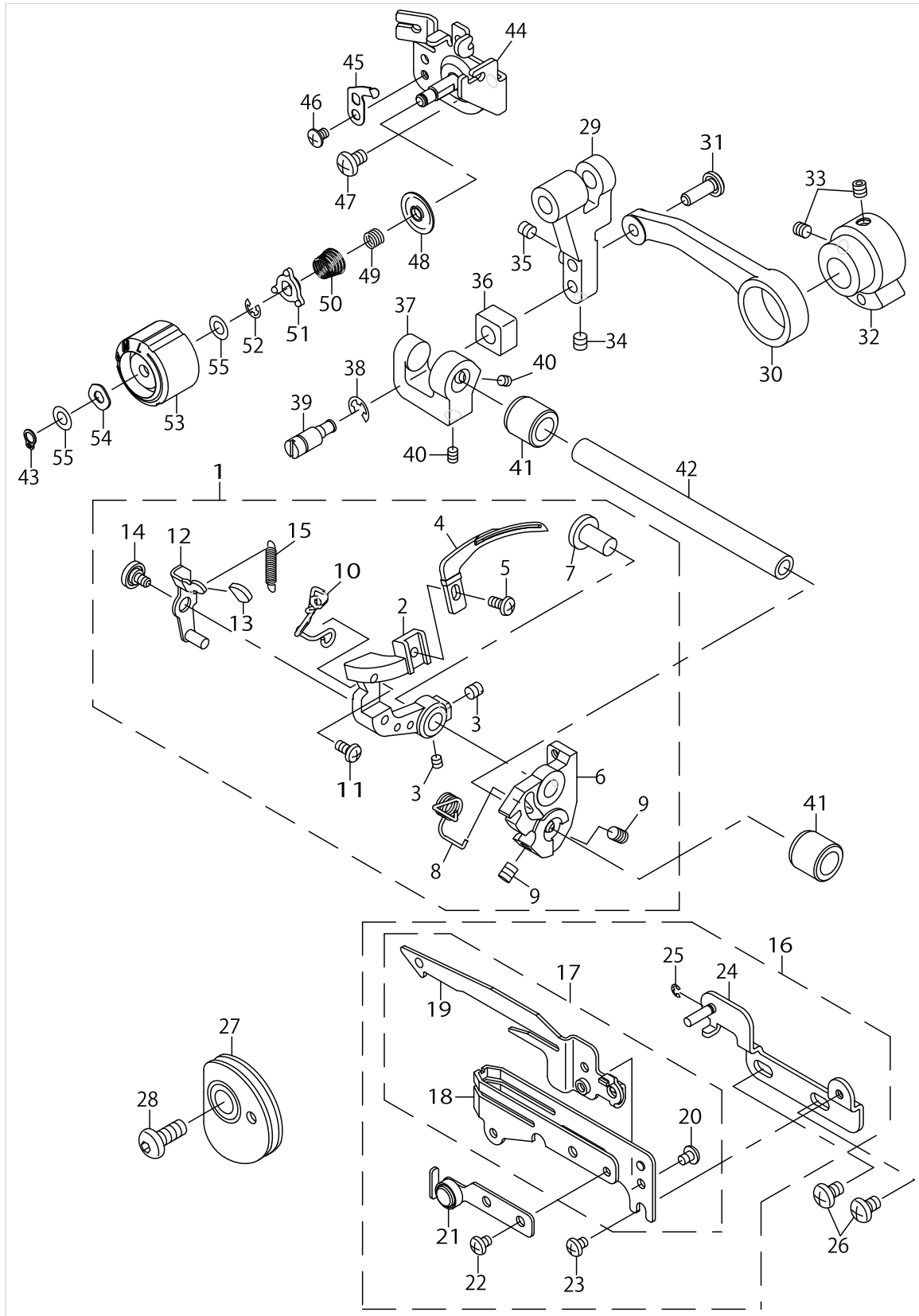
CHAIN LOOPER COMPONENTS (FOR MO-735)



CHAIN LOOPER COMPONENTS (FOR MO-735)

No.	Supply Code	Parts No.	Replacement	Parts name	Remarks	Choice	Step	Level	Cons	Qty	Rep. QTY
1		A21091300B0		CHAIN LOOPER TOTAL ASM.						1	
2		A21519DC000		CHAIN LOOPER SUPPORT ARM A				*		1	
3		SM8030302TP		SCREW				*		1	
4	R	A21091300A0	A21091300A0A	CHAIN LOOPER ASM.				*		1	1.00
5		SM5030655SN		SCREW				*		1	
6		A21529DC000		CHAIN LOOPER SUPPORT ARM B				*		1	
7		A2155655000A		CHAIN LOOPER SUPPORT SHAFT				*		1	
8		A2158655000		SPRING				*		1	
9		SM8040602TP		SCREW				*		2	
10		A2165130000		LOPPER INTERMEDIATE THREAD GUIDE				*		1	
11		SM5030655SN		SCREW				*		1	
12		A21536550A0		CH. LOOPER SUP. ARM LATCH ASM.				*		1	
13		A116731500AA		SUPPORT ARM LATCH KNOB				*		1	
14		A2156655000		SCREW				*		1	
15		A2159655000		SPRING				*		1	
16		A21309DC0B0		CH.LO. TAKE-UP GUIDE TOTAL ASM.						1	
17		A21306550A0		CHAIN LOOPER TAKE-UP GUIDE ASM.				*		1	
18		A2130655000		CHAIN LOOPER TAKE-UP GUIDE (1)				*		1	
19		A21316550A0		TAKE-UP GUIDE (2) ASM.				*		1	
20		SM0030401SC		SCREW				*		1	
21		A21349DC0A0		TAKE-UP THREAD GUIDE ASM.				*		1	
22		SM4030455SN		SCREW				*		1	
23		SM4030455SN		SCREW				*		1	
24		A21326550A0		TAKE-UPPLATEASM.				*		1	
25		RE0200000K0		E-RING				*		1	
26		SM4040655SN		SCREW						2	
27		A21241300A0		CHAIN LOOPER TAKE-UP ASM.						1	
28		A2138335000		SCREW						1	
29		A2114535000		CHAIN LOOPER SUPPORT ARM						1	
30		A2105535000		CHAIN LOOPER ROD						1	
31		A2529335000		CHAIN LOOPER ROD PIN						1	
32		A21039DC000		CHAIN LOOPER CAM						1	
33		SM8040402TP		SCREW						2	
34		SM8040402TP		SCREW						1	
35		SM8040402TP		SCREW						1	
36		A2116535000		CHAIN LOOPER BLOCK GUIDE						1	
37		A2113535000A		CHIAN LOOPER SLIDE BLOCK GUIDE						1	
38		RE0400000K0		E-RING						1	
39		A2115655000		CH.LOOPER BLOCK GUIDE SHAFT						1	
40		SM8030402TP		SCREW						2	
41		A2561777000		CH.LOOPER BLOCK GUIDE SHAFT						2	
42		A2107655000		CHAIN LOOPER SHAFT						1	
43		A3139776000		C-RING						1	
44		A21409DC0A0		LOWER THREAD TENSION FITTING BASE ASM.						1	

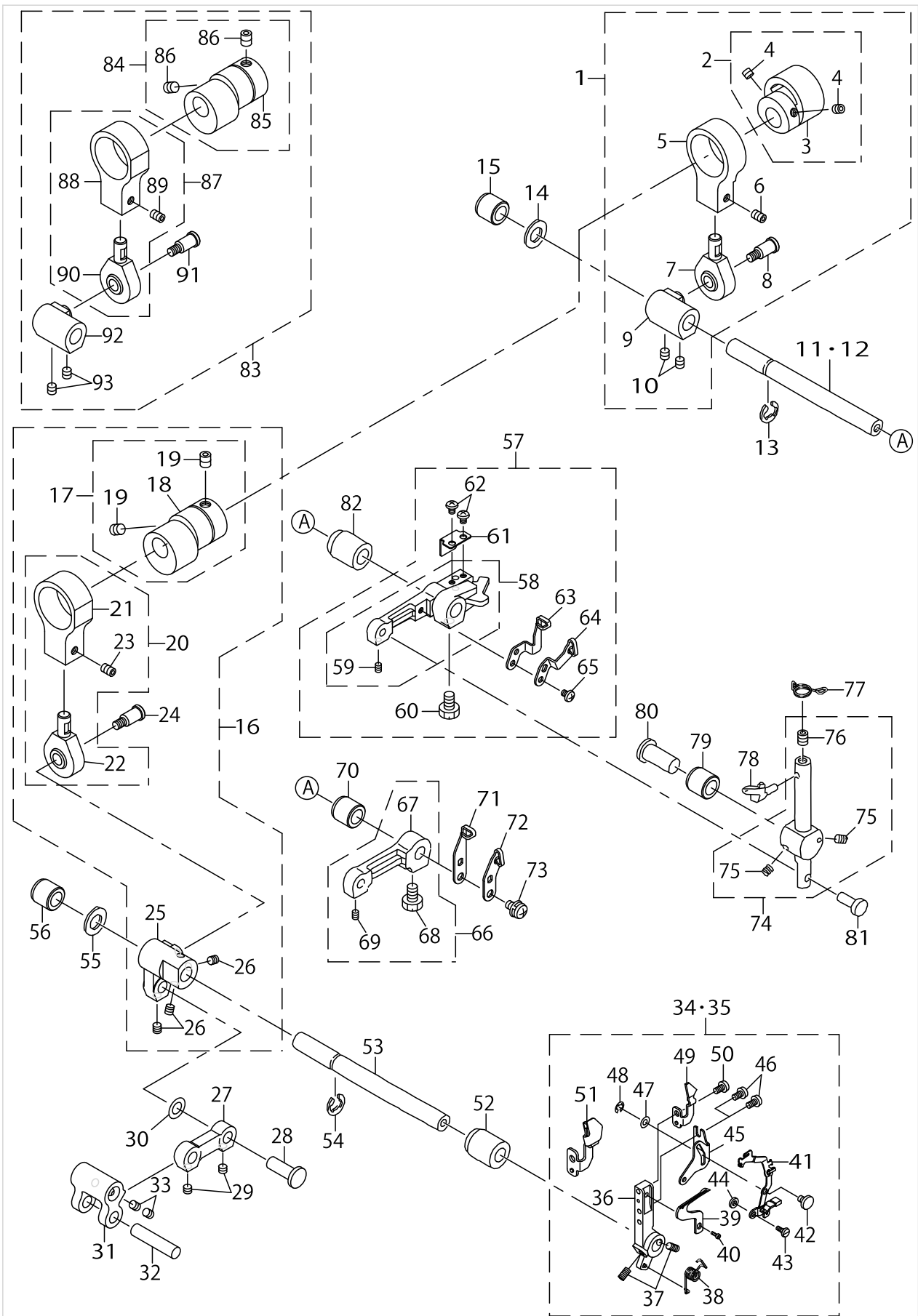
CHAIN LOOPER COMPONENTS (FOR MO-735)



CHAIN LOOPER COMPONENTS (FOR MO-735)

No.	Supply Code	Parts No.	Replacement	Parts name	Remarks	Choice	Step	Level	Cons	Qty	Rep. QTY
45		A21439DC000		LATCH SPRING						1	
46		SM0030401SC		SCREW						1	
47		SM4040655SN		SCREW						1	
48		A21459DC000		LOOPER THREAD TENSION DISH						1	
49		A2146C09000		SPRING						1	
50		A21449DC000		SPRING						1	
51		A21429DC000		LOWER THREAD TENSION SPRING PRESSER PLAT						1	
52		RE0300000K0		E-RING						1	
53		A21469DC000B		LOWER THREAD TENSION DIAL						1	
54		A1424777000		WASHER						1	
55		WP0430801SC		WASHER						2	

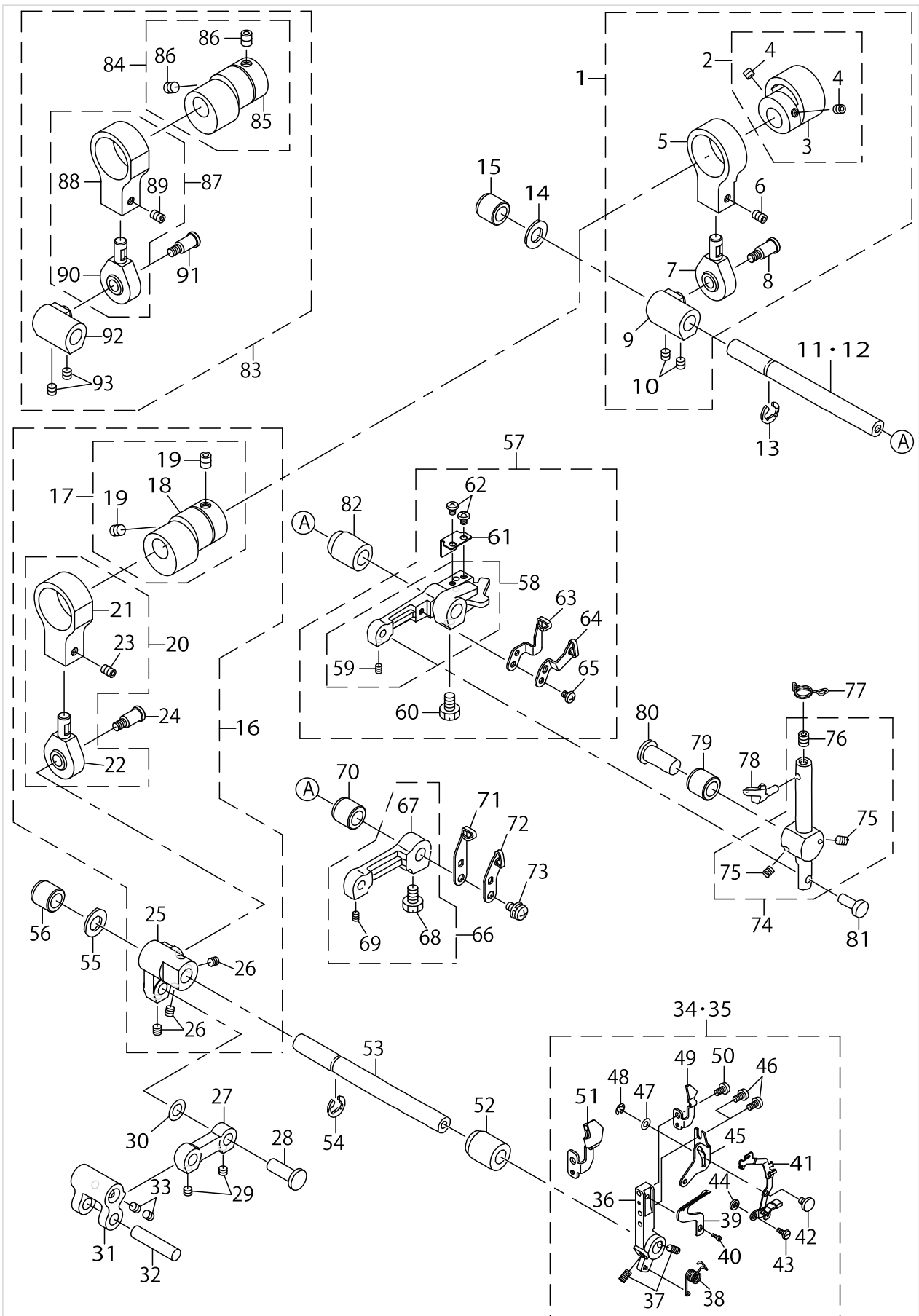
LOOPER DRIVE COMPONENTS



LOOPER DRIVE COMPONENTS

No.	Supply Code	Parts No.	Replacement	Parts name	Remarks	Choice	Step	Level	Cons	Qty	Rep. QTY
1	R	A25025340A0A	40061961	UPPER LOOPER ROD ASM.						1	1.00
2	R	A25015340A0A	40079509	UPPER LOOPER CAM ASM.				*		1	1.00
3		A2501534000A		UPPER LOOPER CAM				*		1	
4		SM8040402TP		SCREW				*		1	
5		A2502534000A		UPPER LOOPER ROD				*		1	
6		SM8040602TP		SCREW				*		1	
7		A2503776000		CONNECTING ROD				*		1	
8		A2504776000		SCREW				*		1	
9		A2505776000		LOWER LOOPER DRIVING ARM				*		3	
10		SM8040402TP		SCREW				*		2	
11		A2521534000		LOOPER SHAFT	FOR MO-735					1	
12		A2521344000		LOOPER SHAFT	FOR MO-734DE					1	
13		RE0600000K0		E-RING						1	
14		WP0820516SP		WASHER						1	
15		A2561777000		LOOPER SHAFT METAL						1	
16		A25159DC0A0		LOWER LOOPER ROD ASM.	FOR MO-735					1	
17		A25145340A0B		LOWER LOOPER CAM ASM.				*		3	
18		A251453400C		LOWER LOOPER CAM				*		2	
19		SM8050602TP		SCREW				*		1	
20		A25155340E0		LOWER LOOPER ROD ASM.				*		1	
21		A2515534000A		LOWER LOOPER ROD				*		1	
22		A2503776000		CONNECTING ROD				*		1	
23		SM8040602TP		SCREW				*		3	
24		A2504776000		CONNECTING SCREW				*		1	
25		A25169DC000		LOWER LOOPER DRIVING ARM				*		1	
26		SM8040402TP		SCREW				*		1	
27		A2101535000		CHAIN LOOPER ROD	FOR MO-735					1	
28		A1403102000		CONNECTING PIN	FOR MO-735					1	
29		SM8040402TP		SCREW	FOR MO-735					1	
30		WP0641600SC		WASHER	FOR MO-735					2	
31		A21029DC000		CHAIN LOOPER SLIDE ARM	FOR MO-735					2	
32		A2111335000		CHAIN LOOPER SLIDE SHAFT	FOR MO-735					1	
33		SM8040402TP		SCREW	FOR MO-735					1	
34		A25171300A0		LOWER LOOPER TH-READING DEVICE ASM.	FOR MO-735					1	
35		A25171100A0B		LOWER LOOPER TH-READING DEVICE ASM.	FOR MO-734DE					1	
36		A251733500S		LOWER LOOPER SUPPORT ARM				*		2	
37		SM8040602TP		SCREW				*		1	
38		A253733500SA		SPRING				*		1	
39		A252633500A		LOWER LOOPER				*		1	
40		SM5030655SN		SCREW				*		1	
41		A25345540B0A		LOWER LOOPER TH-READ GUIDE ASM.				*		1	
42		A253233500S		PIN				*		1	
43		A253133500S		SCREW				*		1	
44		WP0320501SC		WASHER				*		1	
45		A253333500S		LOWER LOOPER TH-READ GUIDE BASE				*		2	

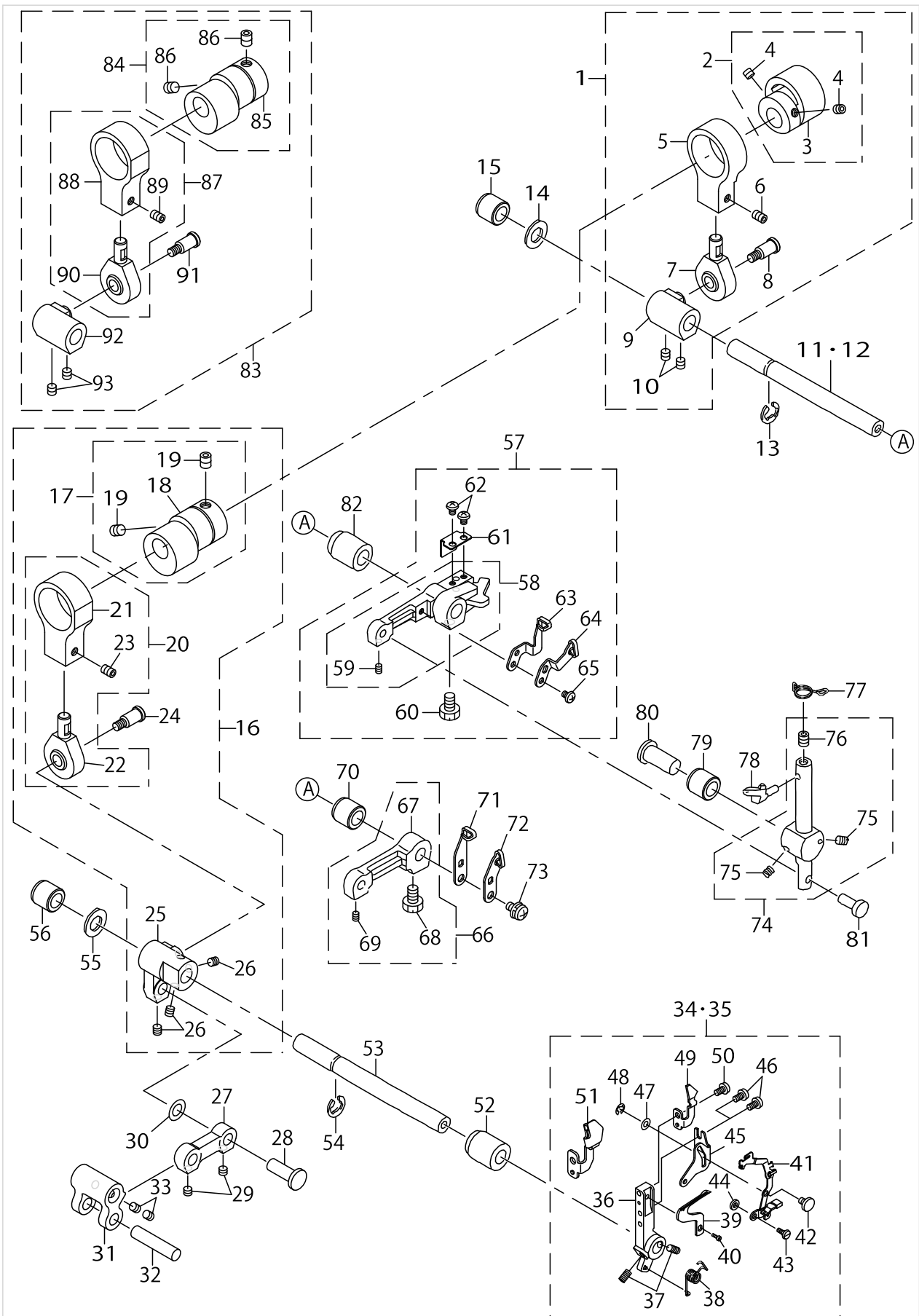
LOOPER DRIVE COMPONENTS



LOOPER DRIVE COMPONENTS

No.	Supply Code	Parts No.	Replacement	Parts name	Remarks	Choice	Step	Level	Cons	Qty	Rep. QTY
46		SM5030655SN		SCREW				*		1	
47		A253933500S		WASHER				*		1	
48		RE0200000K0		E-RING				*		1	
49		A2536554000A		MOVABLE NEEDLE GUARD (BACK)	FOR MO-735			*		1	
50		SM5030655SN		SCREW				*		1	
51	R	A2536800000	A2536800000A	LOCK NEEDLE HOLDER	FOR MO-734DE			*		1	1.00
52		A2561777000		LOOPER SHAFT METAL						2	
53		A2521534000		LOOPER SHAFT						1	
54		RE0600000K0		E-RING						1	
55		WP0820516SP		WASHER						1	
56		A2561777000		WASHER						2	
57		A25101300C0		UPPER LOOPER ROCKING ARM TOTAL ASM.	FOR MO-735					1	
58		A25101300B0		UPPER LOOPER ROCKING ARM ASM.				*		4	
59		SM8030402TP		SCREW				*		1	
60		SM9050850SP		SCREW				*		1	
61		A2508335000		RELEASE LEVER PRESSER				*		1	
62		SM4030455SP		SCREW				*		2	
63		A2519130000		UPPER LOOPER BALANCE				*		1	
64		A2520130000		LOWER LOOPER BALANCE				*		1	
65		SM5030455SN		SCREW				*		1	
66		A25103440A0		UPPER LOOPER ROCKING ARM ASM.	FOR MO-734DE					1	
67		A2510344000		UPPER LOOPER ROCKING ARM				*		1	
68		SM9050850SP		SCREW				*		2	
69		SM8030402TP		SCREW				*		1	
70		A2561777000		LOOPER SHAFT METAL	FOR MO-734DE					1	
71		A2519344000		UPPER LOOPER BALANCE	FOR MO-734DE					2	
72		A2520344000		LOWER LOOPER BALANCE	FOR MO-734DE					1	
73		SL5040835SN		SCREW	FOR MO-734DE					1	
74		A25303440A0		UPPER LOOPER SLIDE SHAFT ASM.						2	
75		SM8040402TP		SCREW				*		1	
76		SM8050602TP		SCREW				*		1	
77		A25215130A0		SIDE SHAFT THREAD GUIDE ASM.						1	
78		A2512776000		UPPER LOOPER						2	
79		A2561777000		BUSHING						1	
80		A2531534000A		UPPER LOOPER GUIDE SHAFT						4	
81		A2529335000		UPPER LOOPER ARM PIN						1	
82		A1675335000		UPPER LOOPER FRONT METAL	FOR MO-735					1	
83		A25155340A0B		LOWER LOOPER ROD ASM.	FOR MO-734DE					1	
84		A25145340A0B		LOWER LOOPER CAM ASM.				*		2	
85		A251453400C		LOWER LOOPER CAM				*		1	
86		SM8050602TP		SCREW				*		1	
87		A25155340E0		LOWER LOOPER ROD ASM.				*		1	
88		A2515534000A		LOWER LOOPER ROD				*		1	
89		SM8040602TP		SCREW				*		2	
90		A2503776000		LOWER LOOPER DRIVING ARM				*		1	

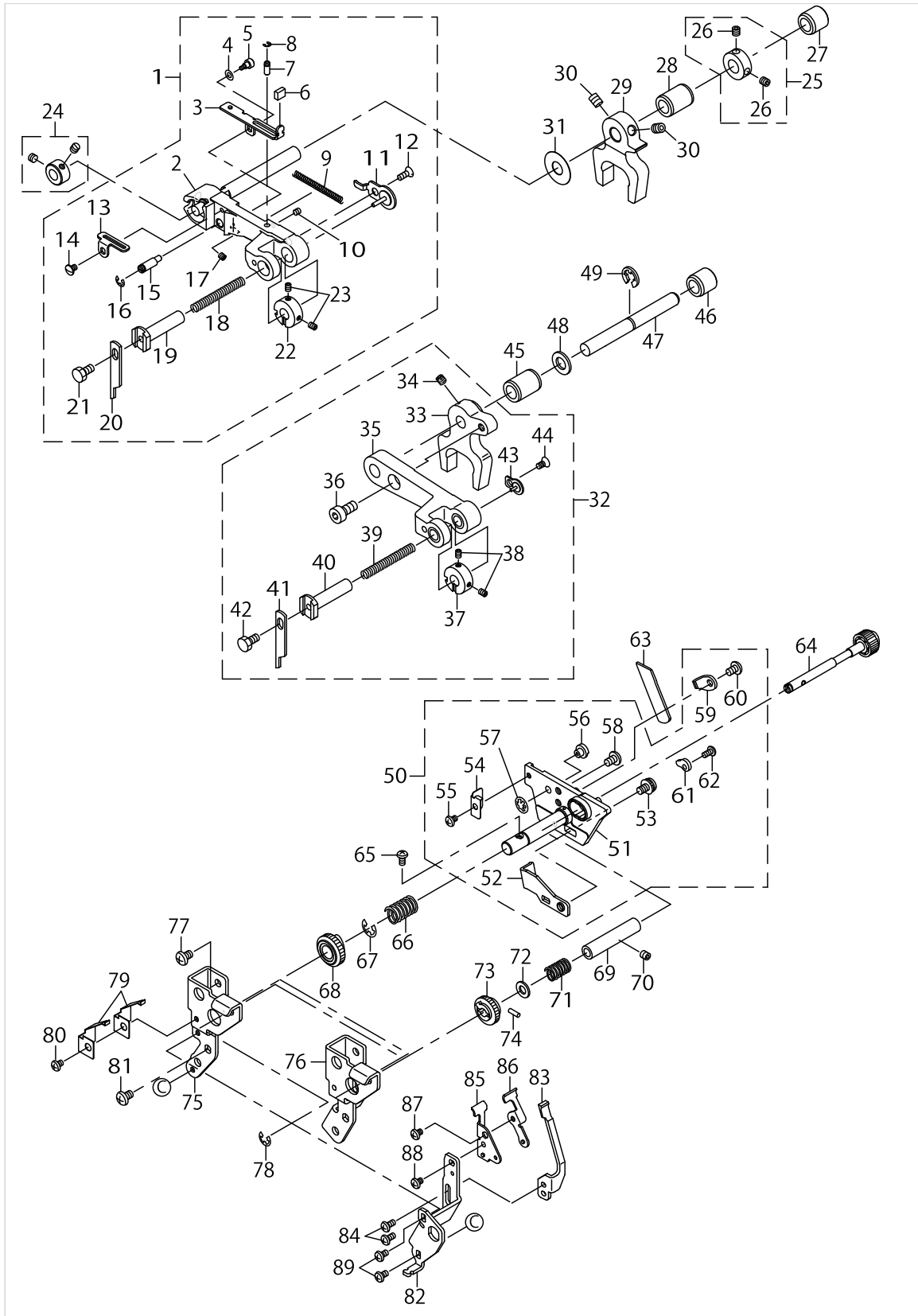
LOOPER DRIVE COMPONENTS



LOOPER DRIVE COMPONENTS

No.	Supply Code	Parts No.	Replacement	Parts name	Remarks	Choice	Step	Level	Cons	Qty	Rep. QTY
91		A2504776000		CONNECTING SCREW				*		1	
92		A2505776000		LOWER LOOPER DRIVING ARM				*		2	
93		SM8040402TP		SCREW				*		1	

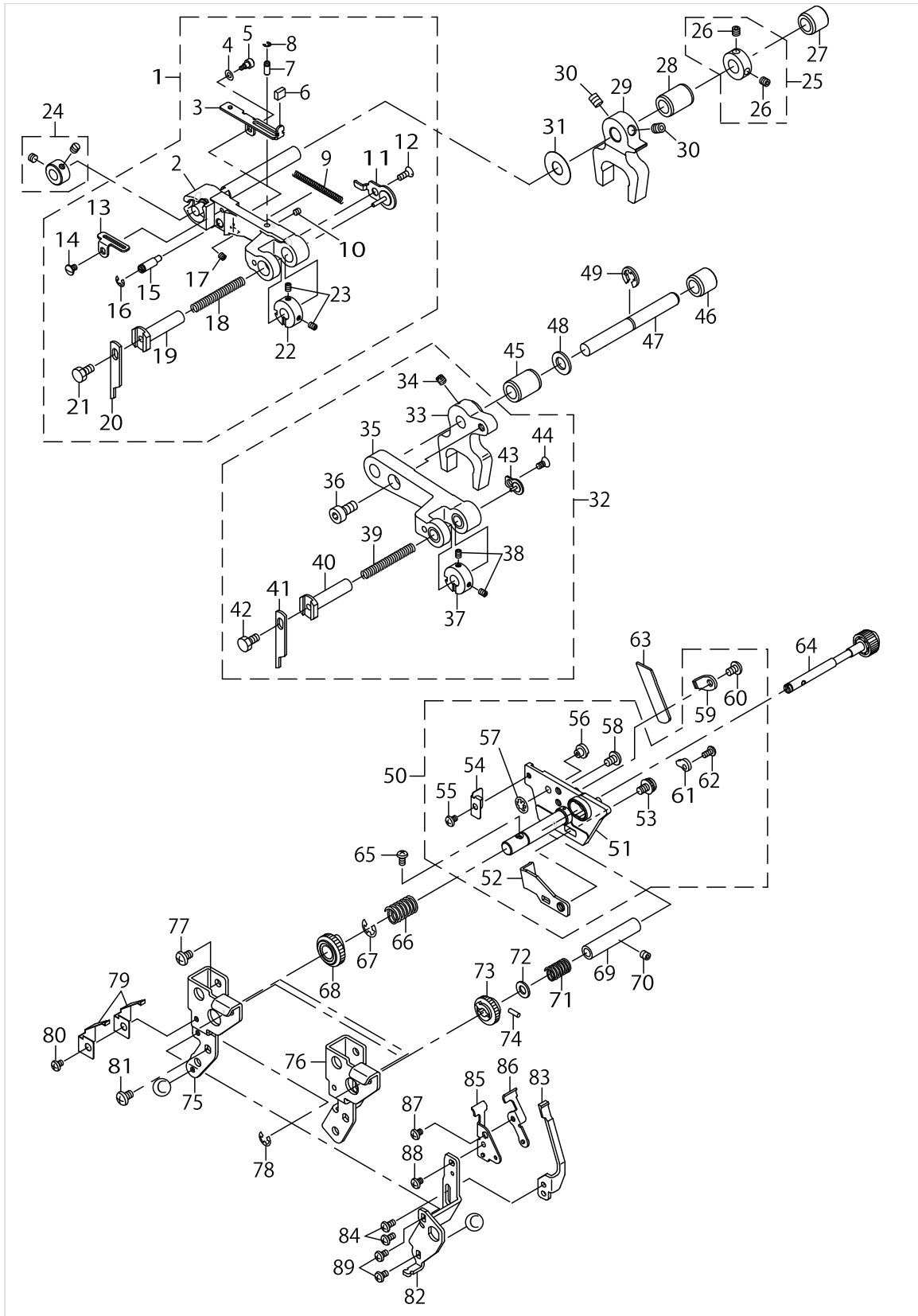
KNIFE COMPONENTS



KNIFE COMPONENTS

No.	Supply Code	Parts No.	Replacement	Parts name	Remarks	Choice	Step	Level	Cons	Qty	Rep. QTY
1		A41011300B0		UPPER KNIFE DRIVING ARM TOTAL ASM.	FOR MO-735					1	
2		A41011300A0A		UPPER KNIFE DRIVING ARM ASM.	FOR MO-735			*		1	
3		A4113130000		RELEASE LEVER	FOR MO-735			*		1	
4		A253933500S		WASHER	FOR MO-735			*		1	
5		A4123130000		SCREW	FOR MO-735			*		1	
6		A116731500AA		RELEASE LEVER CAP	FOR MO-735			*		1	
7		A4114130000		RELEASE PLATE SHAFT	FOR MO-735			*		1	
8		RE0200000K0		E-RING	FOR MO-735			*		1	
9		A4120130000		SPRING	FOR MO-735			*		1	
10		SM8030302TP		SCREW	FOR MO-735			*		1	
11		A41071300A0		KNIFE PRESSER SPRING HOLDER ASM.	FOR MO-735			*		1	
12		SM1030601SP		SCREW	FOR MO-735			*		1	
13		A4115130000		UPPER RELEASE GUIDE PLATE	FOR MO-735			*		1	
14		SM0030401SC		SCREW	FOR MO-735			*		1	
15		A4116130000B		UPPER KNIFE ECCE- NTRICITY SHAFT	FOR MO-735			*		1	
16		RE0300000K0		E-RING	FOR MO-735			*		1	
17		SM8030302TP		SCREW	FOR MO-735			*		1	
18		A4106535000		KNIFE PRESSER SPRING	FOR MO-735			*		1	
19		A4103535000		UPPER KNIFE HOLDER	FOR MO-735			*		1	
20		A4142335000		UPPER KNIFE	FOR MO-735			*		1	
21		SM9040803SD		SCREW	FOR MO-735			*		1	
22		A4105776000A		UPPER KNIFE TURNING KNOB	FOR MO-735			*		1	
23		SM8030402TP		SCREW	FOR MO-735			*		2	
24		A16637760A0		UPPER KNIFE SHAFT COLLAR	FOR MO-735					1	
25		A14145020A0		THRUST COLLAR ASM.	FOR MO-735					1	
26		SM8040402TP		SCREW	FOR MO-735			*		2	
27		A2561777000		UPPER KNIFE SHAFT REAR METAL	FOR MO-735					1	
28		A2112204000		UPPER KNIFE SHAF- T FRONT METAL	FOR MO-735					1	
29	D	A4102130000		UPPER KNIFE DRIVING ARM	FOR MO-735					1	
30		SM8050602TP		SCREW	FOR MO-735					2	
31		A4111130000		WASHER	FOR MO-735					1	
32		A41018000A0		UPPER KNIFE DRIVING ARM ASM.	FOR MO-734DE			*		1	
33	R	A4102535000	40072483	UPPER KNIFE FORKED ARM	FOR MO-734DE			*		1	1.00
34		SM8040402TP		SCREW	FOR MO-734DE			*		1	
35		A4101503000C		UPPER KNIFE DRIVING ARM	FOR MO-734DE			*		1	
36		SM6051002TP		SCREW	FOR MO-734DE			*		1	
37		A4105776000A		UPPER KNIFE TURNING KNOB	FOR MO-734DE			*		1	
38		SM8030402TP		SCREW	FOR MO-734DE			*		1	
39		A4106535000		KNIFE PRESSER SPRING	FOR MO-734DE			*		1	
40		A4103535000		UPPER KNIFE HOLDER	FOR MO-734DE			*		1	
41		A4142335000		UPPER KNIFE	FOR MO-734DE			*		1	
42		SM9040803SD		SCREW	FOR MO-734DE			*		1	
43		A41075020A0		KNIFE SPRING SUP- PORTINGPLATEASM.	FOR MO-734DE			*		1	
44		SM1030601SP		SCREW	FOR MO-734DE			*		1	

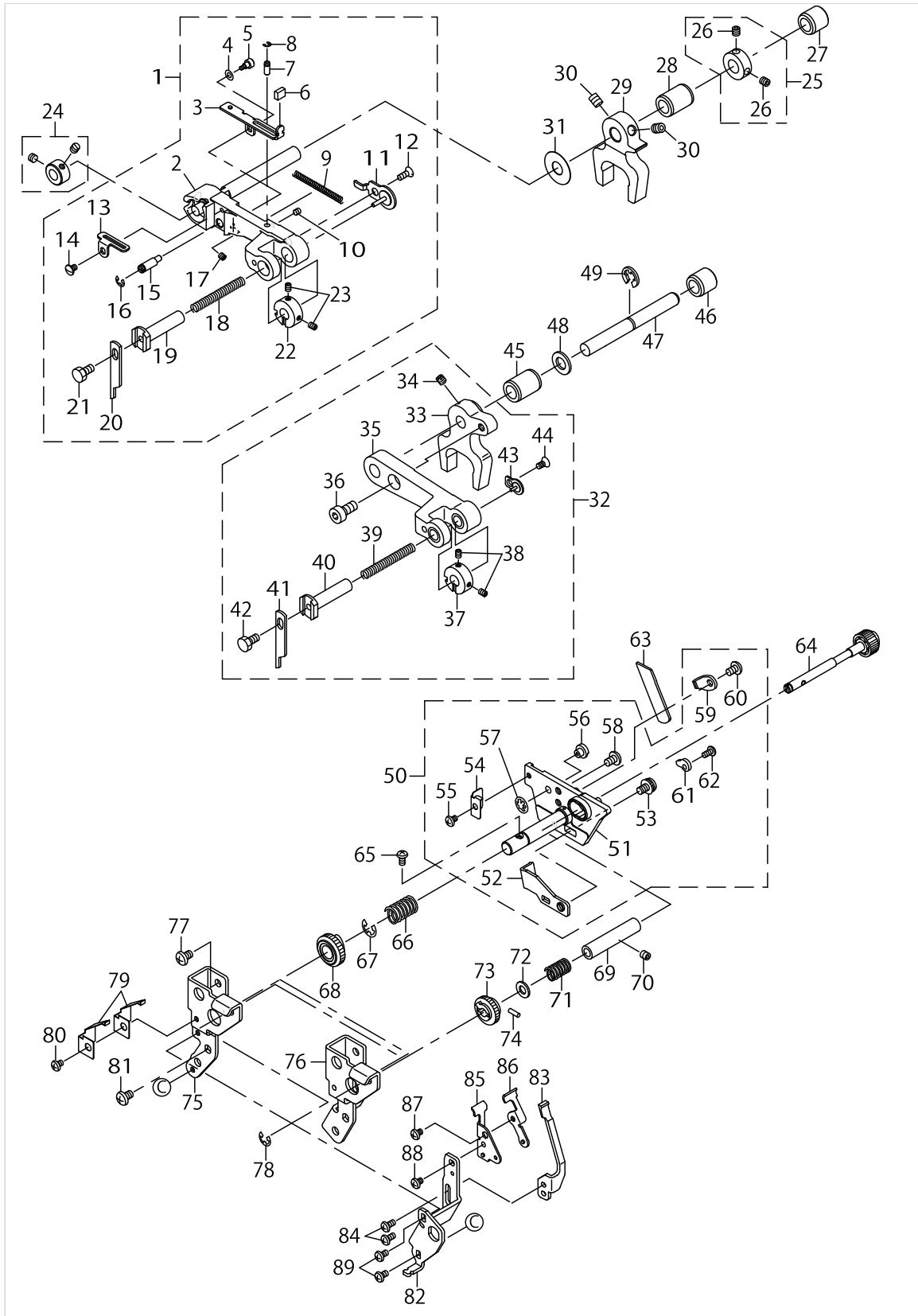
KNIFE COMPONENTS



KNIFE COMPONENTS

No.	Supply Code	Parts No.	Replacement	Parts name	Remarks	Choice	Step	Level	Cons	Qty	Rep. QTY
45		A2112204000		BUSHING	FOR MO-734DE					1	
46		A2561777000		BUSHING	FOR MO-734DE					1	
47		A4108535000		UPPER KNIFE SHAFT	FOR MO-734DE					1	
48		WP0820516SP		WASHER	FOR MO-734DE					1	
49		RE0600000K0		E-RING	FOR MO-734DE					1	
50		A41211300B0		LOWER KNIFE HOLDER COMPL.						1	
51		A41211300A0		LOWER KNIFE HOLDER COMPL.				*		1	
52		A4147130000		CHIP GUARD COVER STOPPER				*		1	
53		SL5040835SN		SCREW				*		1	
54		A4122130000		LOWER KNIFE HOLDER GUARD PLATE				*		1	
55		SM4030455SP		SCREW				*		1	
56		A4149535000		LOWER KNIFE ANGLE ADJ.SUPPORT				*		1	
57		A3205555A00		KNIFE ANGLE ADJ.-SUPPORT STOPPE				*		1	
58		SM4040655SN		SCREW				*		1	
59		A4123335000		LOWER KNIFE PRESSER PLATE				*		1	
60		SM4040655SP		SCREW				*		1	
61		A4124335000		LOWER KNIFE SUPPORTING PLATE				*		1	
62		SM4030655SP		SCREW				*		1	
63		A4145335000		LOWER KNIFE						1	
64		A4130130000		LOWER KNIFE ADJUSTING KNOB						1	
65		SM4030601SN		SCREW						1	
66		A4136344000		LOWER KNIFE HOLDER SPRING						1	
67		RE0500000K0		E-RING						1	
68		A4128130000		LOWER KNIFE ADJ.CAM						1	
69		A4125110000		LOWER KNIFE HOLDER SHAFT						1	
70		SM8040402TP		SCREW						1	
71		A1633534D00		LOWER KNIFE ADJUSTING GEAR SPRING						1	
72		A31099DC000		LOWER KNIFE ADJUSTING GEAR WASHER						1	
73		A4127130000		LOWER KNIFE ADJUSTING GEAR						1	
74		PS0200082KH		LOWER KNIFE ADJUSTING GEAR PIN						1	
75		A4131130000		LOWER KNIFE ADJUSTING BASE	FOR MO-735					1	
76		A4131110000		LOWER KNIFE ADJUSTING BASE	FOR MO-734DE					1	
77		SM4040655SN		SCREW						1	
78		RE0400000K0		E-RING						1	
79		A4140535000		LOWER KNIFE ADJUSTING CAM PRESSER SPRING						2	
80		SM4030455SP		SCREW						1	
81		SM4040655SN		SCREW						1	
82		A2537130000		NEEDLE GUARD SUPPORT PLATE	FOR MO-735					1	
83		A2535655000		LOCK NEEDLE GUARD (FRONT)	FOR MO-735					1	
84		SM4030655SP		SCREW	FOR MO-735					2	
85	R	A2161130000	A21601300A0	CHAIN NEEDLE GUARD REAR	FOR MO-735					1	1.00
86		A2160130000		CHAIN NEEDLE GUARD FRONT	FOR MO-735					1	
87		SM4030455SP		SCREW	FOR MO-735					1	

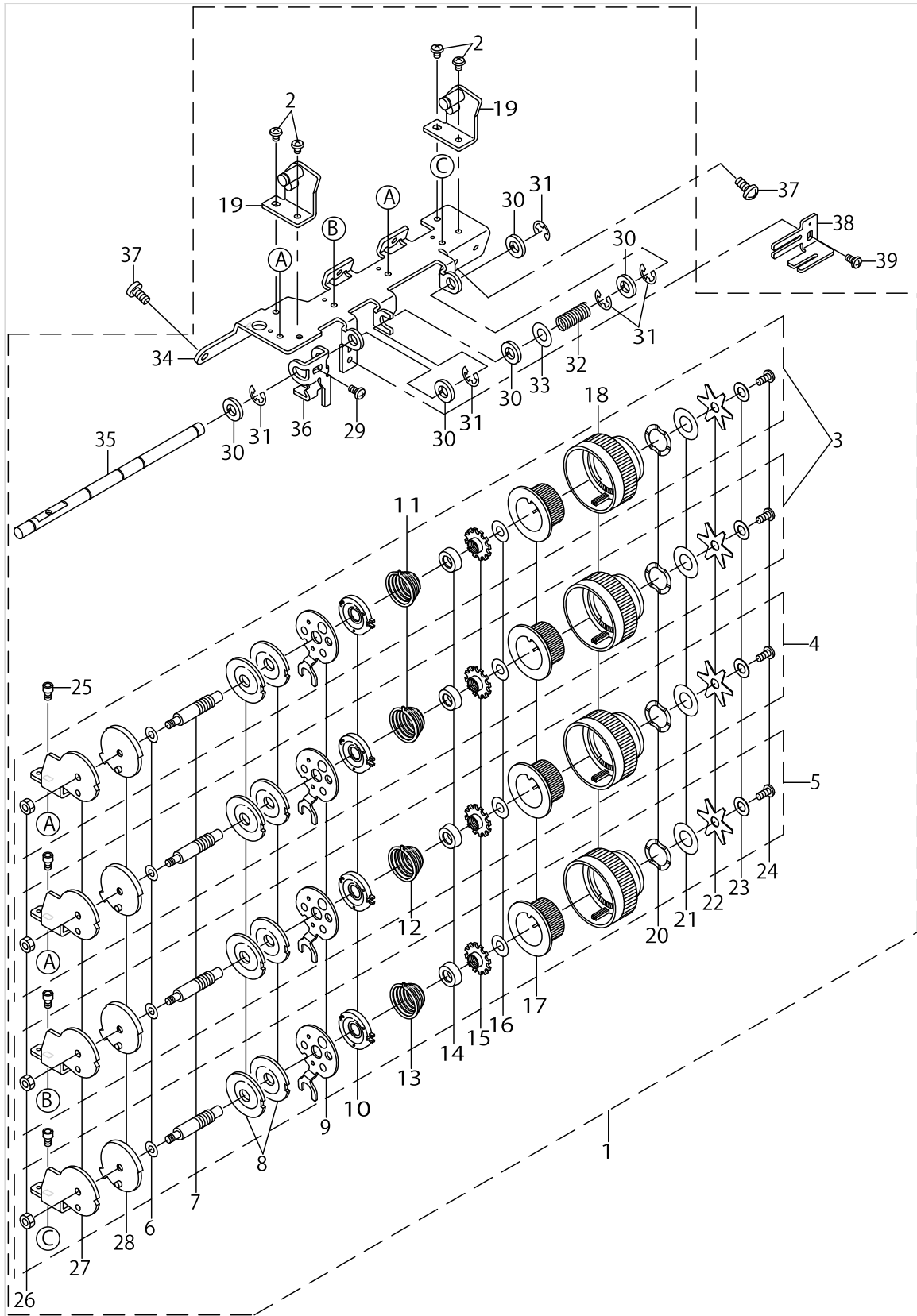
KNIFE COMPONENTS



KNIFE COMPONENTS

No.	Supply Code	Parts No.	Replacement	Parts name	Remarks	Choice	Step	Level	Cons	Qty	Rep. QTY
88		SM4030455SP		SCREW	FOR MO-735					1	
89		SM5030555SC		SCREW	FOR MO-735					2	

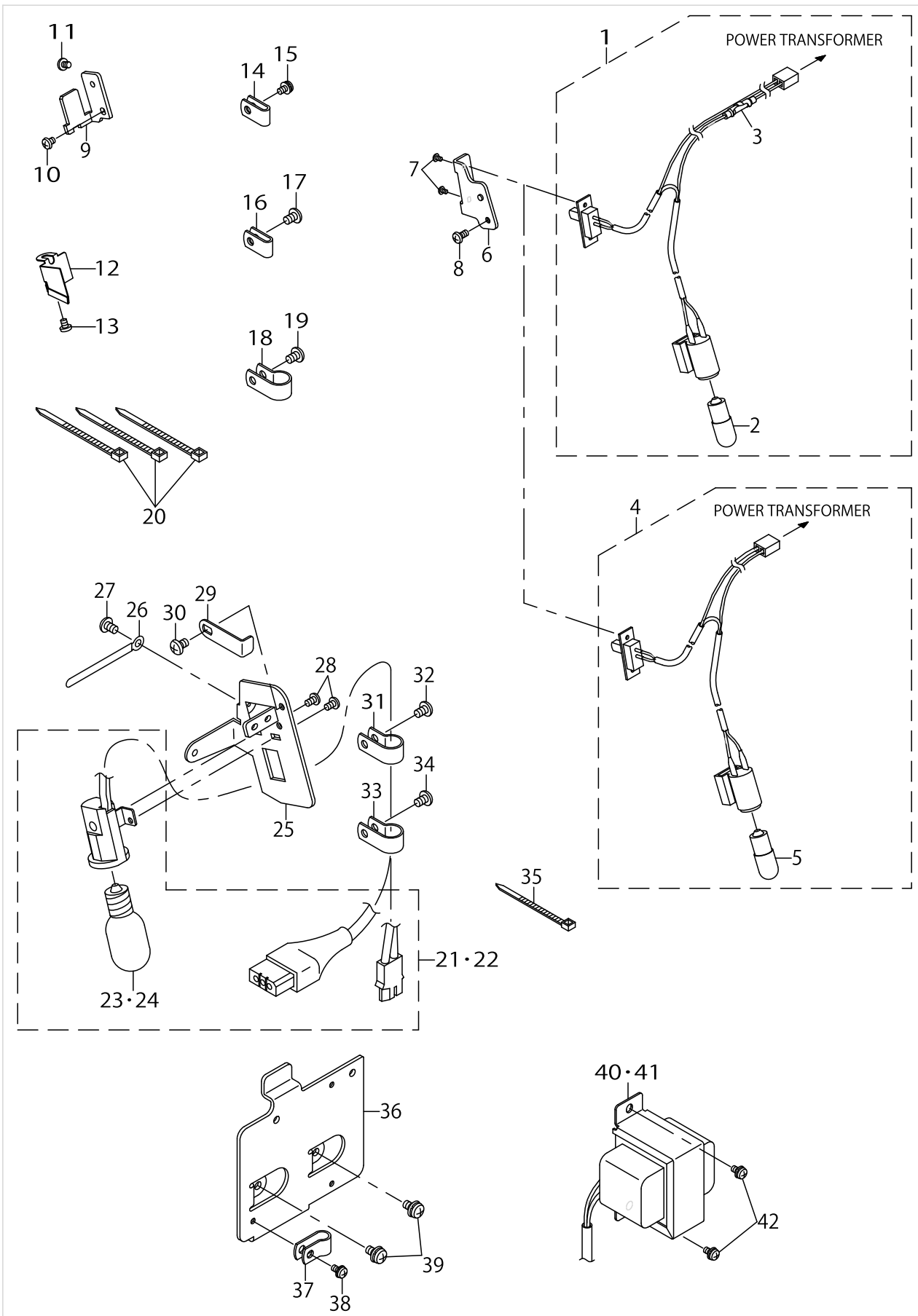
THREAD TENSION COMPONENTS



THREAD TENSION COMPONENTS

No.	Supply Code	Parts No.	Replacement	Parts name	Remarks	Choice	Step	Level	Cons	Qty	Rep. QTY
1	R	A31507350B0	A31507350B0A	THREAD TENSION ASM.						1	1.00
2		SM5030455SN		SCREW				*		4	
3	R	A3150110AA0A	A3150110AA0B	THREAD TENSION PLATE A ASM.				*		2	1.00
4	R	A315012ABA0	A315012ABA0A	THREAD TENSION PLATE B ASM.				*		1	1.00
5	R	A315012ADA0	A315012ADA0A	THREAD TENSION PLATE D ASM.				*		1	1.00
6		WP0380516SD		WASHER				*		4	
7		A3149110000		THREAD TENSION SHAFT				*		4	
8		A3910634000B		THREAD TENSION DISC				*		8	
9		A3126110000		DISC FLOAT PLATE				*		4	
10		A3900634000		THREAD TENSION SPRING HOLDER				*		4	
11		A3903634000		THREAD TENSION SPRING 3				*		2	
12		A3904634000		THREAD TENSION SPRING 4				*		1	
13		A3907634000		THREAD TENSION SPRING 7				*		1	
14		A3107110000		THREAD TENSION SPRING COLLAR				*		4	
15		A3134634000		THREAD TENSION ADJUSTING NUT				*		4	
16		WP0510516SD		WASHER				*		4	
17		A3151110000		THREAD TENSION GEAR				*		4	
18	R	A3150110A00A	40122145	THREAD TENSION DIAL				*		4	1.00
19		A11461100A0		KNOB FITTING BASE ASM.				*		2	
20		A3106202000		WASHER				*		4	
21		WP0841600SE		WASHER				*		4	
22		A3152110000		THREAD TENSION DIAL PRESSER				*		4	
23		A31099DC000		WASHER				*		4	
24		SS5080710SP		SCREW				*		4	
25		SM6030502TP		SCREW				*		4	
26		NS6090310SP		NUT				*		4	
27		A3202110000		THREAD TENSION PLATE				*		4	
28		A3127110000		THREAD TENSION DISC HOLDER				*		4	
29		SM5030655SN		SCREW				*		1	
30		A1577110000		WASHER				*		5	
31		RE0500000K0		E-RING				*		5	
32		A1574110000		SPRING				*		1	
33		WP0641600SC		WASHER				*		1	
34		A3201735000		THREAD TENSION FITTING PLATE				*		1	
35		A1573110000		DISC FLOAT SHAFT				*		1	
36		A1575110000		DISC FLOAT CONNECTION PLATE				*		1	
37		SM5040855SN		SCREW						2	
38		A1576110000		DISC FLOAT LINK GUIDE PLATE						1	
39		SM5030655SN		SCREW						1	

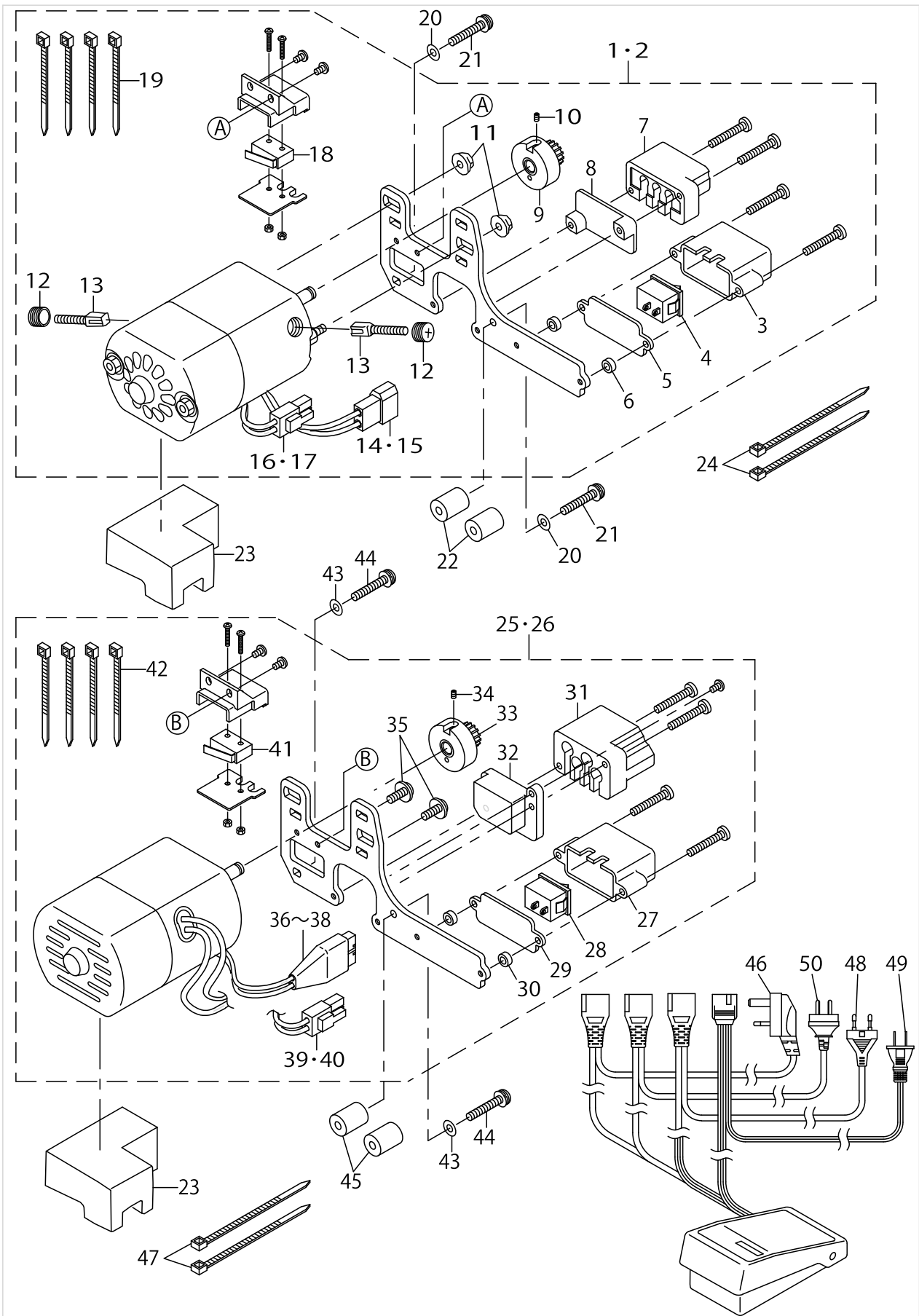
LAMP & TRANSFORMER COMPONENTS



LAMP & TRANSFORMER COMPONENTS

No.	Supply Code	Parts No.	Replacement	Parts name	Remarks	Choice	Step	Level	Cons	Qty	Rep. QTY
1	R	A600110D0A0	40122202	LAMP HOLDER ASM. (UL/CSA)	FOR MO-734DE					1	1.00
2		A3803880000		LAMP	FOR MO-734DE			*		1	
3		HF002900100		FUSE	FOR MO-734DE			*		1	
4	R	A600210D0A0	40122205	LAMP HOLDER ASM. (VDE/SAA)	FOR MO-734DE					1	1.00
5		A3803880000		LAMP	FOR MO-734DE			*		1	
6		A600511A000		LAMP SW BRACKET	FOR MO-734DE					1	
7		SM4020301SC		SCREW	FOR MO-734DE					2	
8		SM5030655SN		SCREW	FOR MO-734DE					1	
9		A600611A000		LAMP BRACKET	FOR MO-734DE					1	
10		SM5030455SN		SCREW	FOR MO-734DE					1	
11		SM5030455SN		SCREW	FOR MO-734DE					1	
12		A600711A000		LAMP COVER	FOR MO-734DE					1	
13		SM5030455SN		SCREW	FOR MO-734DE					1	
14		HX001500000		CABLE CLIP 1 (UL/CSA)	FOR MO-734DE					1	
15		SL5030631SF		SCREW (UL/CSA)	FOR MO-734DE					1	
16		HX001500000		CABLE CLIP (DVE/SAA)	FOR MO-734DE					2	
17		SM4040655SN		SCREW (DVE/SAA)	FOR MO-734DE					2	
18		HX00150000D		CABLE CLIP 2 (UL/CSA)	FOR MO-734DE					1	
19		SM4040655SN		SCREW (UL/CSA)	FOR MO-734DE					1	
20		A407855000B		CABLE BAND	FOR MO-734DE					3	
21	R	A60068000AA	40122207	LAMP HOLDER ASM. FOR CSA (UL/CSA)	FOR MO-735					1	1.00
22		A60068000AB		LAMP HOLDER ASM. FOR VDE (VDE/SAA)	FOR MO-735					1	
23		A6013800A00		LAMP FOR UL (UL/CSA)	FOR MO-735			*		1	
24		A6013800B00		LAMP FOR VDE (VDE/SAA)	FOR MO-735			*		1	
25		A6007110000		LAMP FITTING PLATE	FOR MO-735					1	
26		HX00150000B		CABLE CLIP (VDE/SAA)	FOR MO-735					1	
27		SM4040655SN		SCREW	FOR MO-735					1	
28		SM5030555SC		SCREW	FOR MO-735					2	
29		A3119130000		FRONT COVER FIXING PLATE B	FOR MO-735					1	
30		SM5040855SN		SCREW	FOR MO-735					1	
31		HX00150000B		CABLE CLIP	FOR MO-735					1	
32		SM4040655SN		SCREW	FOR MO-735					1	
33		HX00150000B		CABLE CLIP	FOR MO-735					1	
34		SM4040655SN		SCREW	FOR MO-735					1	
35		EA9500B0200		CABLE BAND (VDE/SAA)	FOR MO-735					2	
36		A610011A000		TRANSFORMER BRACKET	FOR MO-734DE					1	
37		HX00150000B		CABLE CLIP	FOR MO-734DE					1	
38		SL5030631SF		SCREW	FOR MO-734DE					1	
39		SL5040835SN		SCREW	FOR MO-734DE					2	
40		A601410D0A0		POWER TRANSFORMER ASM. (120V)(UL/CSA)	FOR MO-734DE					1	
41	R	A601410D0AB	40122208	POWER TRANSFORMER ASM. (240V)(VDE/SAA)	FOR MO-734DE					1	1.00
42		SL5030631SF		SCREW	FOR MO-734DE					2	

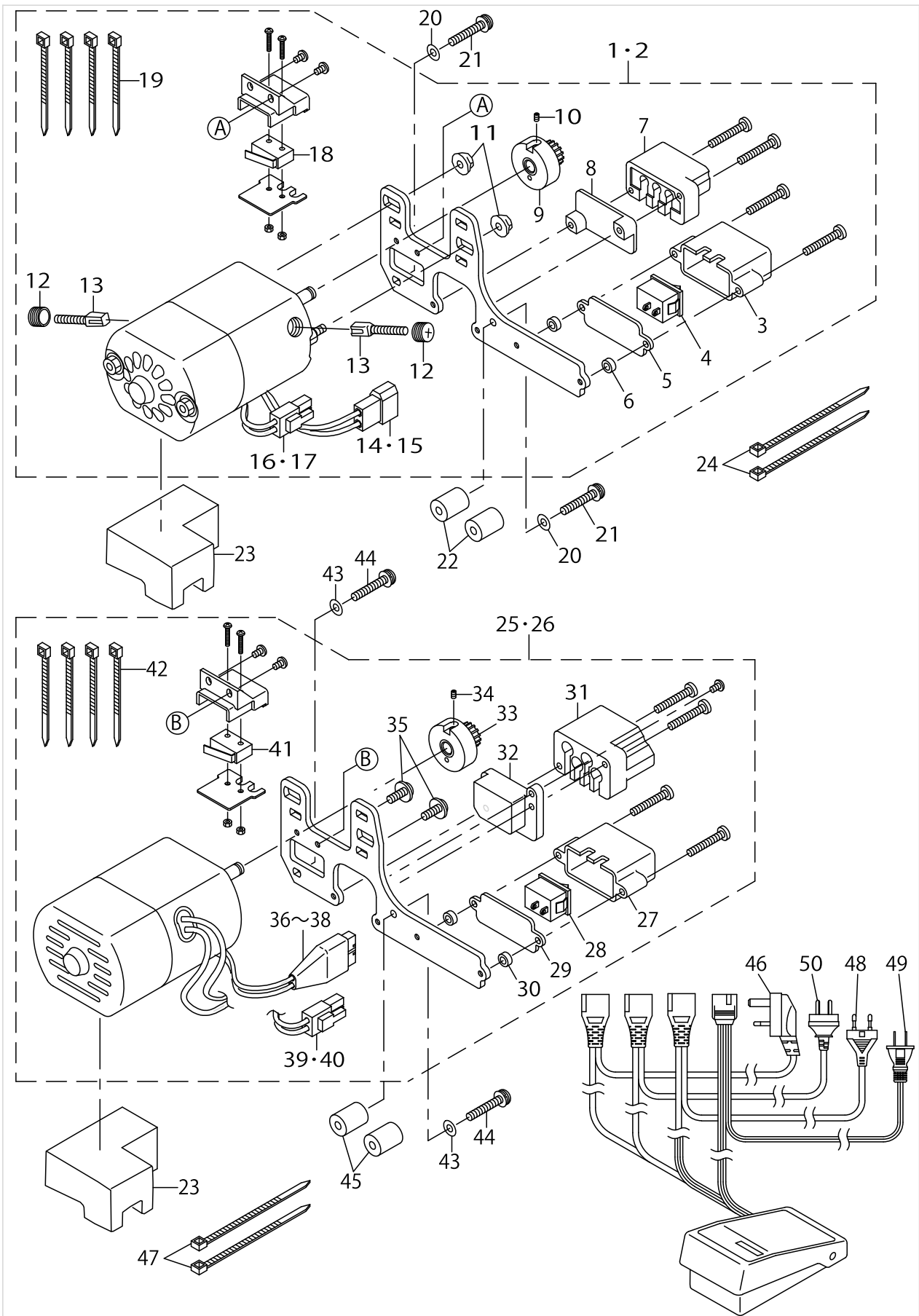
MOTOR & CONTROLLER COMPONENTS



MOTOR & CONTROLLER COMPONENTS

No.	Supply Code	Parts No.	Replacement	Parts name	Remarks	Choice	Step	Level	Cons	Qty	Rep. QTY
1		A63017350B0		MOTOR ASM. (UL/CSA)	FOR MO-735					1	
2		A630111A0B0		MOTOR ASM. (UL/CSA)	FOR MO-734DE					1	
3		A6015524000		SW COVER A				*		1	
4	D	A6003110000		POWER SW				*		1	
5		A6016524000		SW COVER B				*		1	
6		A6019110000		POWER SW SPACER				*		2	
7		A6001102U00A		TERMINAL BOX				*		1	
8		A6009535000		TERMINAL BOX FITTING BASE (UL/CSA)				*		1	
9		A6010634000A		MOTOR PULLEY (UL/CSA)				*		1	
10		SM8040602TP		SCREW				*		1	
11		NM3040550SC		NUT				*		2	
12		MSA01071M07		BRUSH CAP				*		2	
13		A6090535000		CARBON BRUSH				*		2	
14		MAI15040000		NYLON PLUG	FOR MO-735			*		1	
15		D6043555B00		PIN TERMINAL	FOR MO-735			*		1	
16	D	HK011510020		RECEPTACLE HOUSING	FOR MO-734DE			*		1	
17	D	E9858901000		TERMINAL	FOR MO-734DE			*		1	
18		E9603501000		SAFETY SW SS-5GL				*		1	
19		A407855000B		CABLE BAND				*		4	
20		WP0430801SC		WASHER						2	
21		SL4042551SF		SCREW						2	
22		A6350110000		MOTOR FITTING BASE						2	
23		A6003535000A		MOTOR PROTECTOR						2	
24		EA9500B0200		CABLE BAND						2	
25	R	A63017350BB	A63017350BBA	MOTOR ASM. (VDE/SAA)	FOR MO-735					1	1.00
26		A630111A0BB		MOTOR ASM. (VDE/SAA)	FOR MO-734DE					1	
27		A6015524000		SW COVER A				*		1	
28	D	A6003110000		POWER SW				*		1	
29		A6016524000		SW COVER B				*		1	
30		A6019110000		POWER SW SPACER				*		2	
31		A6001102G00		TERMINAL BOX (VDE/SAA)				*		1	
32		A6005110000		CONDENSER COVER (VDE/SAA)				*		1	
33		A601063400A		INSULATION MOTOR PULLEY (VDE/SAA)				*		1	
34		SM8040602TP		SCREW				*		1	
35		A6004110000		SCREW				*		2	
36		D6009555D00		PLUG COVER	FOR MO-735			*		1	
37	D	HK019920030		NYLON RECEPTACLE	FOR MO-735			*		1	
38		HK003940000		PIN TERMINAL	FOR MO-735			*		1	
39	D	HK011510020		RECEPTACLE HOUSING	FOR MO-734DE			*		1	
40	D	E9858901000		TERMINAL	FOR MO-734DE			*		1	
41		E9603501000		SAFETY SW SS-5GL				*		1	
42		A407855000B		CABLE BAND				*		4	
43		WP0430801SC		WASHER						2	
44		SL4042551SF		SCREW						2	
45		A6350110000		MOTOR FITTING BASE						2	

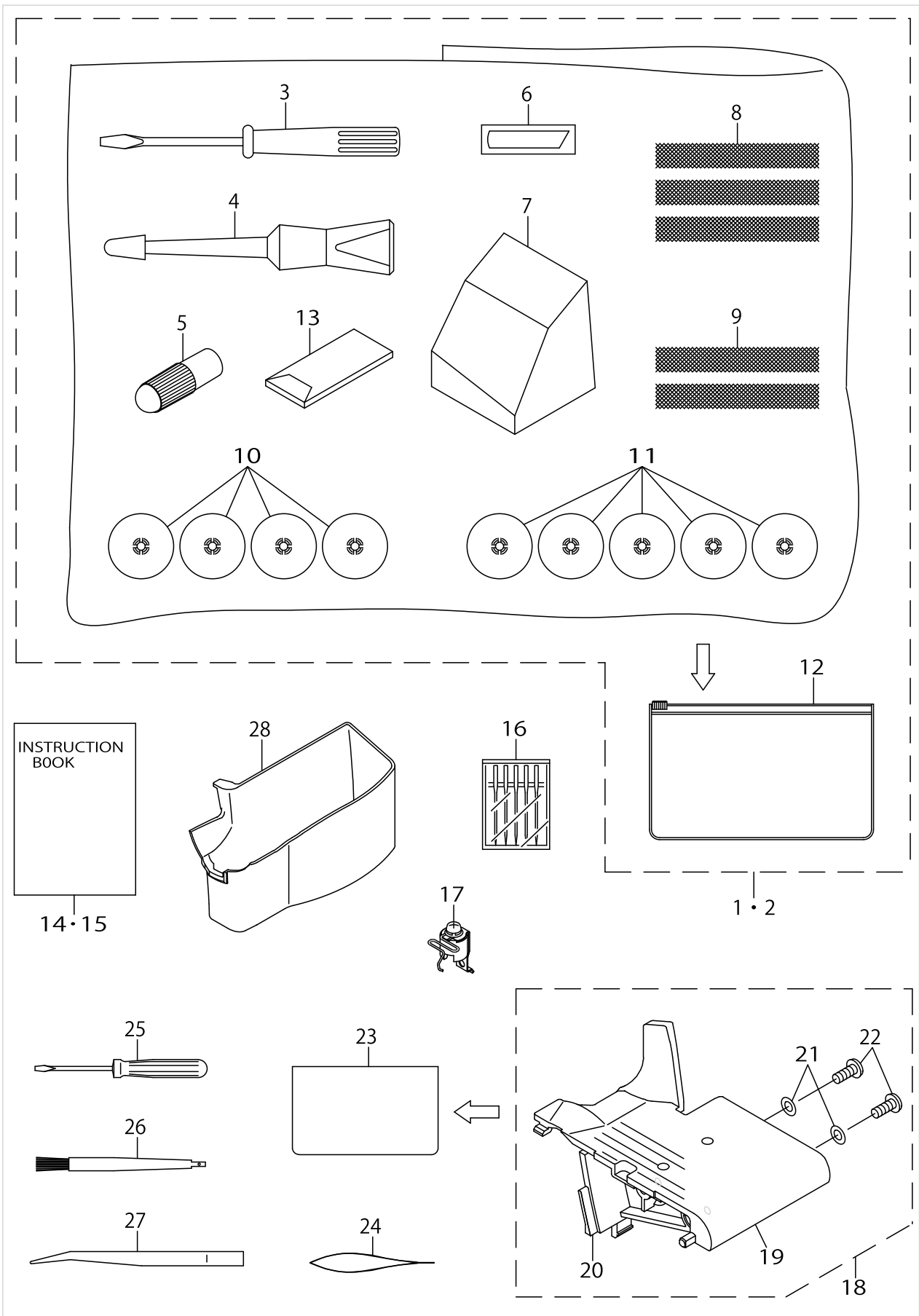
MOTOR & CONTROLLER COMPONENTS



MOTOR & CONTROLLER COMPONENTS

No.	Supply Code	Parts No.	Replacement	Parts name	Remarks	Choice	Step	Level	Cons	Qty	Rep. QTY
46		A640111000C		CONTROLLER (BS)						1	
47		EA9500B0200		CABLE BAND						2	
48		A64016340AAA		CONTROLLER (VDE)						1	
49		A6401634DA0C		CONTROLLER (UL/GSA)						1	
50		A6401634GA0B		CONTROLLER (SAA)						1	

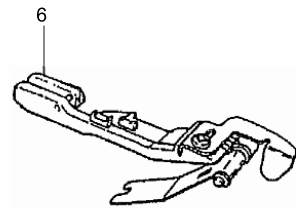
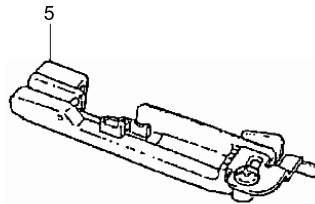
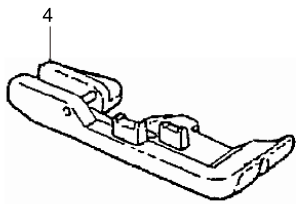
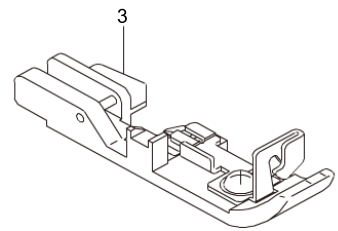
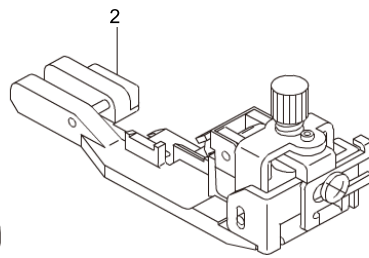
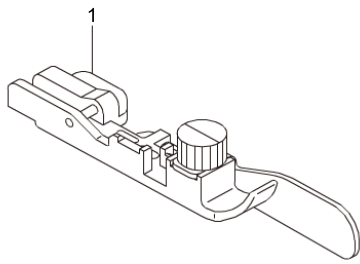
ACCESSORIES PARTS COMPONENTS



ACCESSORIES PARTS COMPONENTS

No.	Supply Code	Parts No.	Replacement	Parts name	Remarks	Choice	Step	Level	Cons	Qty	Rep. QTY
1	R	A91207350A0	A91207350A0A	ACCESORYBAGASM.	FOR MO-735					1	1.00
2	R	A91207340A0	40122226	ACCESORYBAGASM.	FOR MO-734DE					1	1.00
3		A9103102000		SCREW DRIVER LARGE				*		1	
4		A91041020A0		OILER WITH OIL				*		1	
5		A9118776000		LAMP EXCHANGE TOOL	FOR MO-734DE			*		1	
6		A41455340A0		LOWER KNIFE WITH PACK				*		1	
7		A9102800000		VINYL COVER				*		1	
8		A9116335000		PLASTIC NET	FOR MO-735			*		3	
9		A9116335000		PLASTIC NET	FOR MO-734DE			*		2	
10		A9106776000B		SPOOL RETAINER	FOR MO-734DE			*		4	
11		A9106776000B		SPOOL RETAINER	FOR MO-735			*		5	
12		A9121503000A		ACCESORY BAG WITH ZIPPER				*		1	
13		A91357790A0		NEEDLE ASM. (JL-2)				*		1	
14		A915073500A		INSTRUCTION MANUAL(GB/SPN/GER/FRA)	FOR MO-735					1	
15		A915073400A		INSTRUCTION MANUAL(GB/SPN/GER/FRA)	FOR MO-734DE					1	
16		A9114C090A0		NEEDLE CASE ASM.						1	
17		A91307770A0		2/3THREAD SELECTOR ATTACHMENT ASM.						1	
18		A11807350B0		SUPPORT BED TOTAL ASM.	FOR MO-735					1	
19		A11807350A0		SUPPORT BED ASM.				*		1	
20		A1181735000		SUPPORT BED BASE				*		1	
21		WP0430801SC		WASHER				*		2	
22		ST5041051SN		SCREW				*		2	
23		J0231082A00		ACCESSORY PARTS RECEIPT BAG						1	
24		A9107202000		NEEDLE THREADER	FOR MO-735					1	
25		A9110776000		SCREW DRIVER						1	
26	R	A9105334000	40065952	NEEDLE INSERTER TOOL/BRUSH						1	1.00
27		A9109202000		TWEEZERS						1	
28		A9108130000		CLICK WASTE HOLDER BOX						1	

OPTIONAL PARTS COMPONENTS



OPTIONAL PARTS COMPONENTS

No.	Supply Code	Parts No.	Replacement	Parts name	Remarks	Choice	Step	Level	Cons	Qty	Rep. QTY
1		A98106340A0A		BLIND STITCH PRESSER FOOT ASM.						1	
2		A98156550A0A		ELASTICATOR PRESSER FOOT ASM.						1	
3		A98206550A0A		CORDING PRESSER FOOT ASM.						1	
4		A98656550A0A		PIPING PRESSER FOOT ASM.						1	
5		A98706340A0A		BEADING PRESSER FOOT ASM.						1	
6		A98606550A0B		GATHERING PRESSER FOOT ASM.						1	

HOW TO MAKE USE OF THIS PARTS LIST

- 1.As to "#01" and "#02" refer to the "Note" given at the bottom of the respective pages.
- 2.Codes on the "Qty" column
 - Each numeral indicates the number of parts required.
 - "0.1" and "2.5" indicate the length (in meters) of the respective parts.
- 3.Parentheses mean that the corresponding part is a subpart that constructs an assembly part.
- 4.Dotted lines on the Figures indicate assembly parts.

NUMERICAL INDEX OF PARTS

PART NO	PAGE	REF NO.	PART NO	PAGE	REF NO.	PART NO	PAGE	REF NO.
A11023230A0	4	57	A1156776000	2	41	A1407102000	18	58
A1103324000	6	39	A1157130000	4	48	A1409534000	16	12
A1104130000	8	48-49	A1157535000	2	32	A1410130000	16	6
A1104644000B	6	23	A1157735000	2	43	A1411130000	16	3
A1104644A00A	8	48-49	A115811A000	2	35	A1411335000	18	57
A11063240A0	6	1-2	A11581300A0	4	51	A1412110000	18	54
A1106344A00	6	8-9	A1159130000	4	49	A1412535000	18	53
A11067350A0	6	1-2	A1159535000	2	33	A14141300A0	16	5
A1106735A00	6	8-9	A1160130000	4	54	A14145020A0	18	49
A11151300A0	2	2	A1160634000	8	56	A14145020A0	44	25
A11151300B0	2	1	A11615350A0	8	50	A1416777000	16	14
A11153440A0A	2	12	A1164535000	4	67	A142011A000	16	16
A11153440B0A	2	11	A1165734000	2	22	A142111A000	16	18
A1116130000	2	4	A1167130000	4	53	A1424777000	36	54
A1118776000B	6	30-31	A116731500AA	2	13	A142511A0A0	30	30
A1118779000	6	30-31	A116731500AA	34	13	A142711A000	30	23
A1118779A00	6	35	A116731500AA	44	6	A142711A0A0	30	7
A1120202000	6	37	A1172778000	2	8	A142711A0B0	30	2
A1120334000	6	25	A11807350A0	58	19	A142911A000	30	4
A11207760A0B	6	24	A11807350B0	58	18	A1430096000A	32	52
A11211100A0	6	29	A1181735000	58	20	A143011A000	30	3
A11211300A0	6	28	A1190734000	12	15	A143111A000	30	6
A1121776000	6	33	A1190735000	10	27	A143211A000	30	5
A1129776000B	6	26	A1191130000	4	64	A143311A0A0	30	15
A1131203000	2	15	A1197734000	2	24	A143511A000	30	13
A1132334000	2	16	A1197735000	2	39	A143611A000	30	9
A1135535000	4	63	A1201130000	14	1	A143611A0A0	30	8
A1136344000	2	14	A1201344000	14	2	A143711A0A0	30	11
A1138110000	6	17	A1202323000	14	7	A144011A000	30	17
A11381100A0	6	16	A1205634000	14	9	A144111A000	30	32
A1138335000	2	18	A1206102000	14	6	A144211A000	30	36
A11399DC000B	6	19	A1206202000	14	4	A144311A000	30	34
A1145110000	4	59	A1206335000	14	3	A144411A000	30	37
A11461100A0	50	19	A1230500000A	14	8	A144511A000A	32	70
A1147535000	6	14	A1401535000A	16	45	A144611A000	32	69
A11517340B0	2	19	A1402110000	16	40	A145011A000A	30	18
A11517350A0	2	38	A1403102000	18	56	A145111A000	30	39
A11517350B0	2	37	A1403102000	38	28	A145311A0A0A	30	42
A1152110000	10	19	A1403335000A	16	44	A145711A000	32	58
A1152110000	12	10	A1404535000	18	48	A145911A0A0	32	61
A1152735000	2	40	A14061300A0	16	2	A146111A000	32	62
A115311A0A0	2	29	A14061300B0	16	1	A146211A000	32	63
A11531300A0	4	47	A14065340A0	16	11	A146311A000	30	43
A11531300B0	4	46	A14065340B0	16	10	A146411A0A0	32	45
A1156110000	4	69	A1407102000	16	58	A146611A000	32	47

NUMERICAL INDEX OF PARTS

PART NO	PAGE	REF NO.	PART NO	PAGE	REF NO.	PART NO	PAGE	REF NO.
A147011A0A0	30	21	A1550334000	20	25	A1642130000	26	41·42
A147411A000	30	25	A15511300B0	22	49	A164265500CA	26	41·42
A147511A0A0A	30	26	A15611100A0	20	38	A1645534D00	26	19
A148011A000	30	29	A15643240A0	20	43	A1646534D00	26	20
A148311A0A0	32	51	A1568110000	4	61	A1647534D00	26	22
A148511A000	32	53	A15701100A0	20	46	A1648130000	26	39·40
A148611A000	32	54	A1573110000	50	35	A1648655000	26	39·40
A150112A0D0	20	21	A1574110000	10	4	A1650534D00	28	53
A15011300A0	20	12	A1574110000	50	32	A1651534D00	28	46
A15011300B0	20	3	A1575110000	50	36	A1652534D00	28	47
A15011300C0	20	2	A1576110000	50	38	A1653776000	26	13
A15011300D0	20	1	A1577110000	50	30	A1654776000A	26	18
A15013440A0	20	24	A1601110000A	24	1	A1655534D00	24	13
A15013440B0	20	23	A1602110000A	24	2	A1657534DA0	26	14
A15013440C0	20	22	A1610655000	24	4	A1659534D00A	26	7·8
A1501535000	16	26·27	A1611655000	24	3	A1660534D00A	26	1
A1502110000	16	24	A1612535000	28	70	A1660800000	26	7·8
A1502130000A	16	26·27	A1613535000	26	27	A16618000A0	26	6
A1504110000A	20	35	A1613655000	24	17	A1662655000A	24	15
A1504130000	20	8	A1614534D00	24	10	A1663534D00	26	10
A1505110000	20	40	A1614655000	24	19	A16637760A0	26	5
A1505130000	20	6	A1615534D00	24	8	A16637760A0	44	24
A1506130000	20	36	A1616030Z00	26	37	A1664534D00	26	3·4
A1507110000	16	20	A1616534D00	28	63	A1664655000	26	3·4
A1507130000	20	9	A1617534D00A	28	66	A1665534D00	28	49
A1508110000	16	29·30	A1618534D00	28	64	A1675335000	40	82
A1508130000A	16	29·30	A1618534D0A	28	65	A2101535000	38	27
A1508134000	20	29	A16196550A0	24	21	A21029DC000	38	31
A1509130000	20	10	A1620534DA0	24	12	A21039DC000	34	32
A1510110000A	16	38	A1625800000	26	29	A2105535000	34	30
A1511110000	16	34·35	A1627130000	26	30·31	A2107655000	34	42
A1511130000	16	34·35	A1627655000	26	30·31	A21091300A0	34	4
A1512130000	20	11	A1630534D00	24	22	A21091300B0	34	1
A15141100B0A	20	27	A1630535000	28	68	A2111335000	38	32
A15141300B0	20	13	A1633534D00	24	28	A2112204000	44	45
A1518335000	20	28	A1633534D00	46	71	A2112204000	46	45
A1520130000	20	30	A1634655000A	24	25	A2113535000A	34	37
A152111000C	20	31	A1635534D00	24	31	A2114535000	34	29
A152111000C	30	22	A1636534D00	24	32	A2115655000	34	39
A1522110000	16	22	A1637534DA0	28	60	A2116535000	34	36
A1523110000	16	23	A1638776000	28	62	A21241300A0	34	27
A1525110000	16	31	A1639534D00	28	57	A2130655000	34	18
A1526110000	16	37	A1639800000	26	36	A21306550A0	34	17
A1527110000	16	32	A1640534D00	28	55	A21309DC0B0	34	16
A1528110000	16	28	A1641534D00	26	25	A21316550A0	34	19

NUMERICAL INDEX OF PARTS

PART NO	PAGE	REF NO.	PART NO	PAGE	REF NO.	PART NO	PAGE	REF NO.
A21326550A0	34	24	A25155340E0	40	87	A3102734A00	12	1
A21349DC0A0	34	21	A25159DC0A0	38	16	A3102735A00	10	1
A2138335000	34	28	A25169DC000	38	25	A3106202000	50	20
A21409DC0A0	34	44	A25171100A0B	38	34·35	A3107110000	50	14
A21429DC000	36	51	A25171300A0	38	34·35	A31099DC000	46	72
A21439DC000	36	45	A251733500S	38	36	A31099DC000	50	23
A21449DC000	36	50	A2519130000	40	63	A3115110000	10	12
A21459DC000	36	48	A2519344000	40	71	A3115110000	12	4
A21469DC000B	36	53	A2520130000	40	64	A3116110000A	10	13
A2146C09000	36	49	A2520344000	40	72	A3116110000A	12	3
A21519DC000	34	2	A2521344000	38	11·12	A3117735000	10	14
A21529DC000	34	6	A25215130A0	40	77	A3117735000	12	5
A21536550A0	34	12	A2521534000	38	53	A3118130000	10	21
A2154655000A	8	53	A2521534000	40	53	A3119110000	10	24
A2155655000A	34	7	A252633500A	38	39	A3119110000	12	12
A2156655000	34	14	A2529335000	28	54	A3119130000	52	29
A2158655000	34	8	A2529335000	34	31	A3120031000	6	18
A2159655000	34	15	A2529335000	40	81	A312111A000	6	11~13
A2160130000	46	86	A25303440A0	40	74	A3121335A00A	6	11~13
A2161130000	46	85	A253133500S	38	43	A3123534000	6	11~13
A2165130000	34	10	A2531534000A	40	80	A3126110000	50	9
A2501534000A	38	3	A253233500S	38	42	A3127110000	50	28
A25015340A0A	38	2	A253333500S	38	45	A3134634000	50	15
A2502534000A	38	5	A25345540B0A	38	41	A3139776000	34	43
A25025340A0A	38	1	A2535655000	46	83	A3149110000	50	7
A2503776000	38	90	A2536554000A	40	49	A3150110A00A	50	18
A2503776000	40	90	A2536800000	40	51	A3150110AA0A	50	3
A2504776000	38	91	A2537130000	46	82	A315012ABA0	50	4
A2504776000	42	91	A253733500SA	38	38	A315012ADA0	50	5
A2505776000	38	92	A2538554000	4	70	A3150335000	6	41·42
A2505776000	42	92	A253933500S	40	47	A31507350B0	50	1
A2508335000	40	61	A253933500S	44	4	A3151110000	50	17
A25101300B0	40	58	A2550344000A	10	32	A3151335000	8	47
A25101300C0	40	57	A25513440A0A	10	31	A3151535000	6	40
A2510344000	40	67	A25513440B0A	10	30	A3152110000	50	22
A25103440A0	40	66	A2561777000	34	41	A3155735000	6	41·42
A2512776000	40	78	A2561777000	38	79	A3156735000	6	45·46
A251453400C	38	85	A2561777000	40	79	A3156735000	10	16
A251453400C	40	85	A2561777000	44	46	A3157130000	6	43·44
A25145340A0B	38	84	A2561777000	46	46	A3157776000	6	43·44
A25145340A0B	40	84	A31017340A0	12	2	A3157776000	10	15
A2515534000A	38	88	A3101734KA0	12	9	A3157776000	12	8
A2515534000A	40	88	A31017350A0	10	2	A3158776000	6	45·46
A25155340A0B	40	83	A3101735KA0	10	18	A3158776000	12	7
A25155340E0	38	87	A31017760A0	6	6	A3162775000	10	33

NUMERICAL INDEX OF PARTS

PART NO	PAGE	REF NO.	PART NO	PAGE	REF NO.	PART NO	PAGE	REF NO.
A3185C09000	6	10	A4127130000	46	73	A630111A0BB	54	25·26
A3186C09000	8	55	A4128130000	46	68	A63017350B0	54	1·2
A3201735000	50	34	A4130130000	46	64	A63017350BB	54	25·26
A3202110000	50	27	A4131110000	46	76	A6350110000	54	45
A3205555A00	46	57	A4131130000	46	75	A640111000C	56	46
A3303110000A	6	3	A4132535000	16	39	A64016340AAA	56	48
A3803880000	52	5	A4136344000	46	66	A6401634DA0C	56	49
A3900634000	50	10	A4140535000	46	79	A6401634GA0B	56	50
A3903634000	50	11	A4142335000	44	41	A9102800000	58	7
A3904634000	50	12	A4145335000	46	63	A9103102000	58	3
A3907634000	50	13	A41455340A0	58	6	A91041020A0	58	4
A3910634000B	50	8	A4147130000	46	52	A9105334000	58	26
A407855000B	52	20	A4149535000	46	56	A9106776000B	58	11
A407855000B	54	42	A6001102G00	54	31	A9107202000	58	24
A41011300A0A	44	2	A6001102U00A	54	7	A9108130000	58	28
A41011300B0	44	1	A600110D0A0	52	1	A9109202000	58	27
A4101503000C	44	35	A600210D0A0	52	4	A9110776000	58	25
A41018000A0	44	32	A6003110000	54	28	A9114C090A0	58	16
A4102130000	44	29	A6003535000A	54	23	A9116335000	58	9
A4102535000	44	33	A6004110000	54	35	A9118776000	58	5
A4103535000	44	40	A6005110000	54	32	A91207340A0	58	1·2
A4105776000A	44	37	A600511A000	52	6	A91207350A0	58	1·2
A4106535000	44	39	A600611A000	52	9	A9121503000A	58	12
A41071300A0	44	11	A60068000AA	52	21·22	A91307770A0	58	17
A41075020A0	44	43	A60068000AB	52	21·22	A91357790A0	58	13
A4108535000	46	47	A6007110000	52	25	A915073400A	58	14·15
A4111130000	44	31	A600711A000	52	12	A915073500A	58	14·15
A4113130000	44	3	A6009535000	54	8	A9750779000	6	36
A4114130000	44	7	A6010634000A	54	9	A98106340A0A	60	1
A4115130000	44	13	A601063400A	54	33	A98156550A0A	60	2
A4116130000B	44	15	A6013800A00	52	23·24	A98206550A0A	60	3
A4117130000	10	22	A6013800B00	52	23·24	A98606550A0B	60	6
A4118130000	10	5	A601410D0A0	52	40·41	A98656550A0A	60	4
A4119130000	10	3	A601410D0AB	52	40·41	A98706340A0A	60	5
A4120130000	44	9	A6015524000	54	27	D6009555D00	54	36~38
A41211300A0	46	51	A6016524000	54	29	D6043555B00	54	14·15
A41211300B0	46	50	A6019110000	54	30	E9603501000	54	41
A4122130000	46	54	A602111A000	14	16	E9858901000	54	39·40
A4123130000	44	5	A602511A000A	14	11	EA9500B0200	52	35
A4123335000	46	59	A6026335EA0	14	10	EA9500B0200	54	47
A4124130000A	10	8	A6033535000	14	14	EA9500B0200	56	47
A4124335000	30	19	A6036535000	14	21	HF002900100	52	3
A4124335000	46	61	A6090535000	54	13	HK003940000	54	36~38
A4125110000	46	69	A610011A000	52	36	HK011510020	54	39·40
A4125130000	10	7	A630111A0B0	54	1·2	HK019920030	54	36~38

NUMERICAL INDEX OF PARTS

PART NO	PAGE	REF NO.	PART NO	PAGE	REF NO.	PART NO	PAGE	REF NO.
HX001500000	52	16	RE0600000K0	40	54	SM4040655SN	36	47
HX00150000B	14	19	RE0600000K0	46	49	SM4040655SN	46	81
HX00150000B	52	37	RE0700000K0	4	62	SM4040655SN	52	34
HX00150000D	52	18	RE0900000K0	28	69	SM4040655SP	46	60
J0231082A00	6	38	SL0020431SC	6	7	SM4040855SN	4	71
J0231082A00	58	23	SL4030631SC	2	52	SM5030455SN	10	23
MAI15040000	54	14-15	SL4030631SC	4	52	SM5030455SN	20	44
MSA01071M07	54	12	SL4042551SF	54	44	SM5030455SN	30	44
NM3040550SC	54	11	SL5030531SF	30	64	SM5030455SN	40	65
NS6090310SP	50	26	SL5030531SF	32	64	SM5030455SN	50	2
PS0200082KH	46	74	SL5030631SF	52	42	SM5030455SN	52	13
PS0400222KH	14	5	SL5030831SF	6	22	SM5030555SC	48	89
RE0200000K0	2	50	SL5030831SF	10	29	SM5030555SC	52	28
RE0200000K0	4	50	SL5030831SF	12	17	SM5030655SN	16	19
RE0200000K0	14	15	SL5031031SN	10	17	SM5030655SN	20	45
RE0200000K0	32	60	SL5031031SN	12	6	SM5030655SN	24	24
RE0200000K0	34	25	SL5040835SN	10	28	SM5030655SN	26	15
RE0200000K0	40	48	SL5040835SN	12	16	SM5030655SN	30	57
RE0200000K0	44	8	SL5040835SN	40	73	SM5030655SN	32	57
RE0300000K0	4	55	SL5040835SN	46	53	SM5030655SN	34	11
RE0300000K0	16	33	SL5040835SN	52	39	SM5030655SN	38	50
RE0300000K0	22	48	SL5040865SN	8	52	SM5030655SN	40	50
RE0300000K0	24	23	SM0030401SC	16	7	SM5030655SN	50	39
RE0300000K0	26	52	SM0030401SC	34	46	SM5030655SN	52	8
RE0300000K0	28	52	SM0030401SC	36	46	SM5030855SN	20	34
RE0300000K0	30	66	SM0030401SC	44	14	SM5030855SN	24	20
RE0300000K0	32	66	SM1030601SP	44	44	SM5030855SN	26	12
RE0300000K0	36	52	SM4020301SC	30	12	SM5030855SN	30	38
RE0300000K0	44	16	SM4020301SC	52	7	SM5031001SN	26	2
RE0400000K0	20	39	SM4020351SC	2	17	SM5040655SN	24	6
RE0400000K0	24	18	SM4020351SC	20	7	SM5040855SN	2	68
RE0400000K0	26	58	SM4030301SC	20	26	SM5040855SN	4	68
RE0400000K0	28	58	SM4030455SN	14	17	SM5040855SN	14	18
RE0400000K0	30	50	SM4030455SN	16	13	SM5040855SN	16	21
RE0400000K0	32	50	SM4030455SN	34	23	SM5040855SN	20	42
RE0400000K0	34	38	SM4030455SP	40	62	SM5040855SN	32	68
RE0400000K0	46	78	SM4030455SP	46	88	SM5040855SN	50	37
RE0500000K0	4	60	SM4030455SP	48	88	SM5040855SN	52	30
RE0500000K0	20	41	SM4030601SN	46	65	SM5041055SN	24	33
RE0500000K0	24	30	SM4030655SP	26	43	SM5051255SN	4	58
RE0500000K0	26	33	SM4030655SP	46	84	SM5051255SN	6	27
RE0500000K0	46	67	SM4040655SN	14	20	SM6030502TP	50	25
RE0500000K0	50	31	SM4040655SN	18	55	SM6051002TP	44	36
RE0600000K0	16	42	SM4040655SN	26	28	SM8030302TP	28	45
RE0600000K0	38	54	SM4040655SN	34	47	SM8030302TP	30	10

NUMERICAL INDEX OF PARTS

PART NO	PAGE	REF NO.	PART NO	PAGE	REF NO.
SM8030302TP	34	3	ST5041051SN	6	54
SM8030302TP	44	17	ST5041051SN	8	54
SM8030402TP	16	17	ST5041051SN	58	22
SM8030402TP	28	61	WP0260116RZ	32	46
SM8030402TP	30	33	WP0320501SC	6	20
SM8030402TP	34	40	WP0320501SC	10	25
SM8030402TP	40	69	WP0320501SC	12	13
SM8030402TP	44	38	WP0320501SC	20	33
SM8040402TP	16	52	WP0320501SC	32	59
SM8040402TP	18	52	WP0320501SC	38	44
SM8040402TP	26	71	WP0380516SD	50	6
SM8040402TP	28	71	WP0430801SC	22	47
SM8040402TP	34	35	WP0430801SC	24	26
SM8040402TP	38	93	WP0430801SC	28	51
SM8040402TP	40	93	WP0430801SC	30	65
SM8040402TP	42	93	WP0430801SC	32	65
SM8040402TP	44	70	WP0430801SC	36	55
SM8040402TP	46	70	WP0430801SC	54	43
SM8040602TP	28	67	WP0430801SC	58	21
SM8040602TP	34	9	WP0501046SC	32	49
SM8040602TP	38	89	WP0510516SD	50	16
SM8040602TP	40	89	WP0531001SC	20	32
SM8040602TP	54	34	WP0531001SC	30	40
SM8050402TP	16	25	WP0641600SC	38	30
SM8050602TP	4	72	WP0641600SC	50	33
SM8050602TP	16	46	WP0820516SP	16	41
SM8050602TP	38	86	WP0820516SP	38	55
SM8050602TP	40	86	WP0820516SP	40	55
SM8050602TP	44	30	WP0820516SP	46	48
SM8060602TP	18	59	WP0841600SE	50	21
SM9040700SP	28	44			
SM9040803SD	44	42			
SM9050850SP	40	68			
SS5080710SP	50	24			
ST5030651SN	2	23			
ST5030651SN	6	21			
ST5030651SN	10	11			
ST5030851SN	2	44			
ST5030851SN	6	15			
ST5030851SN	10	26			
ST5030851SN	12	14			
ST5030851SN	14	22			
ST5031051SN	10	34			
ST5031051SN	12	11			
ST5031051SN	16	36			