

MODEL : MO-114D/MO-104D

List No : 6038-01

# PARTS LIST

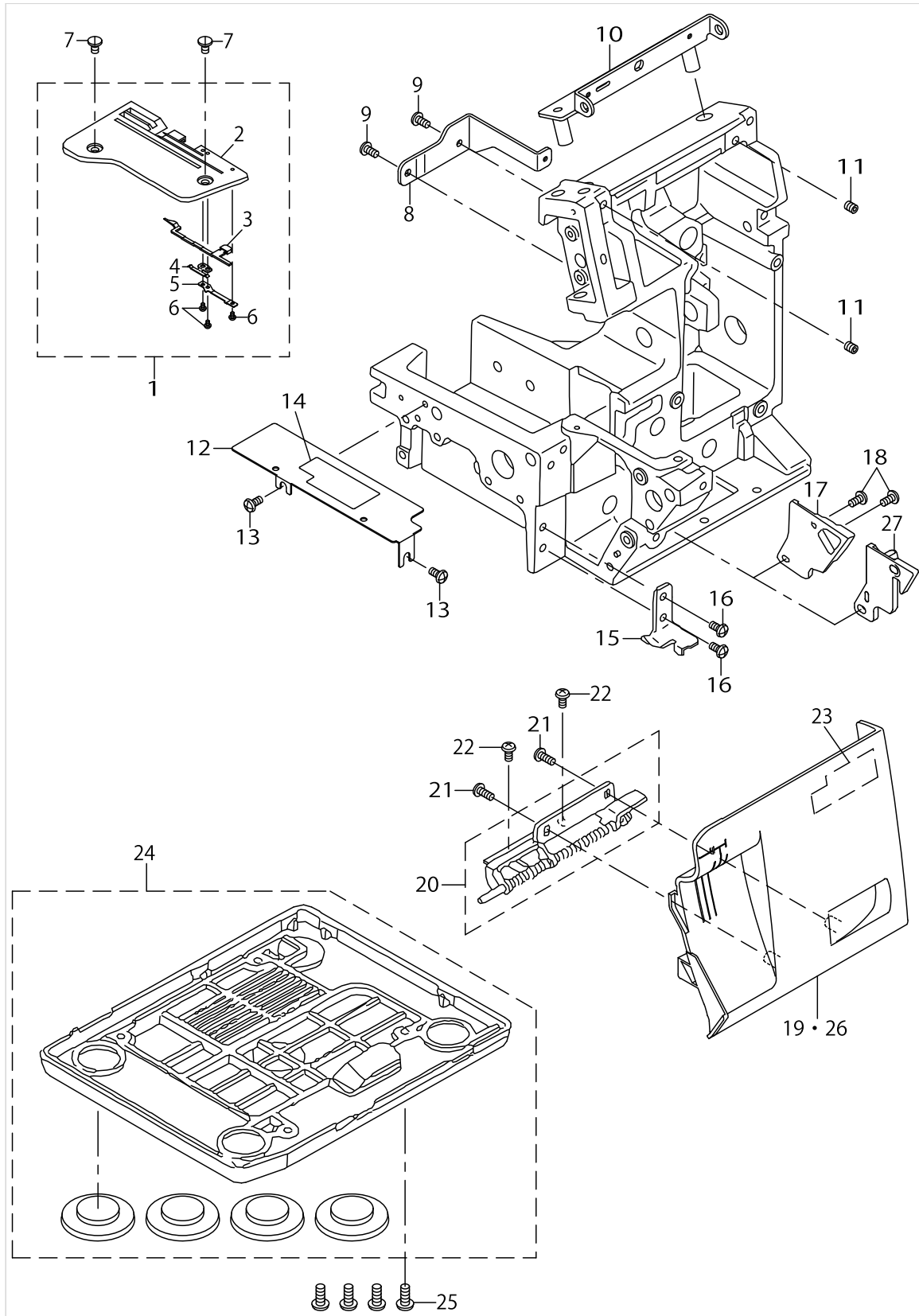
Published:05/12/2017

## CONTENTS

---

COVER COMPONENTS (1).....	1
COVER COMPONENTS (2).....	3
MAIN SHAFT COMPONENTS .....	5
PRESSER FOOT COMPONENTS (1) & NEEDLE BAR COMPONENTS .....	7
PRESSER FOOT COMPONENTS (2).....	9
FEED MECHANISM COMPONENTS (FOR MO-114D) .....	11
FEED MECHANISM COMPONENTS (FOR MO-104D) .....	17
LOOPER DRIVE COMPONENTS .....	21
THREAD TENSION COMPONENTS .....	25
KNIFE DRIVE COMPONENTS .....	29
LAMP & FOOT CONTROLLER COMPONENTS.....	31
MOTOR COMPONENTS .....	33
ACCESSORIES COMPONENTS (FOR MO-114D) .....	35
ACCESSORIES COMPONENTS (FOR MO-104D) .....	37
HOW TO MAKE USE OF THIS PARTS LIST .....	39

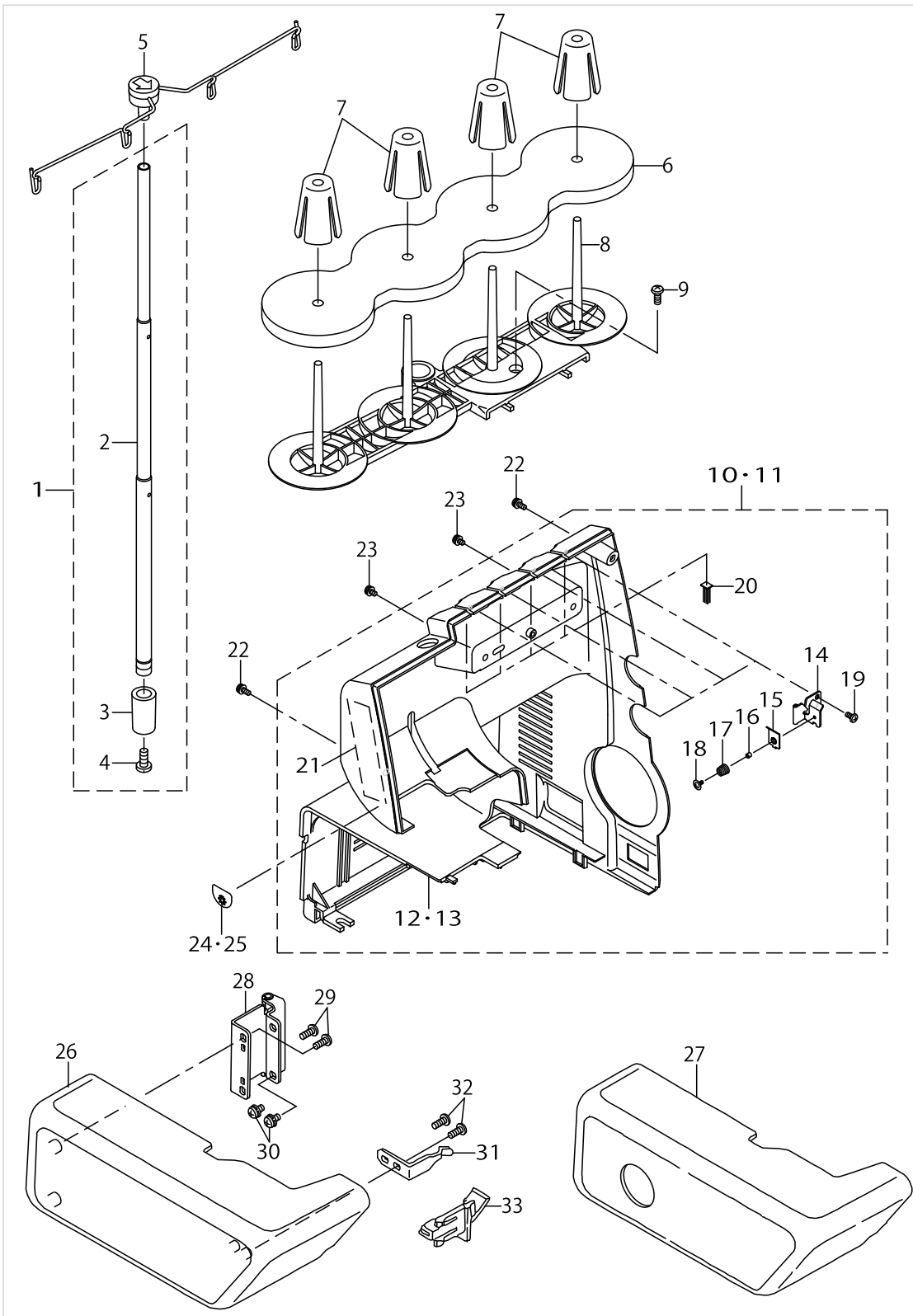
COVER COMPONENTS (1)



COVER COMPONENTS (1)

No.	Supply Code	Parts No.	Replacement	Parts name	Remarks	Choice	Step	Level	Cons	Qty	Rep. QTY
1		A11151100B0A		THROAT PLATE (MAS.ASM.)						1	
2		A11151100A0		THROAT PLATE (ASM.)				*		1	
3		A1136314DA0A		THROAT PLATE THREAD SLIP				*		1	
4		A1131203000		SPRING				*		1	
5		A1132334000		THRES D SLIP GUIDE				*		1	
6		SM4020351SC		SCREW				*		3	
7		A1138335000		THROAT PLATE SETSCREW						2	
8		A1145800000		FRONT COVER FIXING PLATE						1	
9		SM5040855SN		SCREW						2	
10		A11408000A0		REAR COVER FIXING PLATE						1	
11		SM8050602TP		SCREW M5 L=6						2	
12		A1135535000		OP COVER						1	
13		SM5040855SN		SCREW						2	
14		A9196524000		CAUTION LABEL						1	
15		A1164535000		CLOTH PLATE PRESSER PLATE (G)						1	
16		SM5040855SN		SCREW						2	
17		A1156654000A		LOOPER COVER GUIDE	FOR MO-114D					1	
18		SM4040855SN		SCREW M4 L=8						2	
19		A115114D0A0		LOOPER COVER ASM.	FOR MO-114D					1	
20		A11538000A0		LOOPER COVER HINGE ASM.						1	
21		ST5041051SN		SCREW						2	
22		SM5040855SN		SCREW						2	
23		A9196524000		CAUTION LABEL						1	
24		A11021130A0		BASE PLATE ASM.						1	
25		SM5051255SN		SCREW						4	
26		40166097		LOOPER_COVER_M0104D_ASM.	FOR MO-104D					1	
27		A1156644000		LOOPER COVER GUIDE	FOR MO-104D					1	

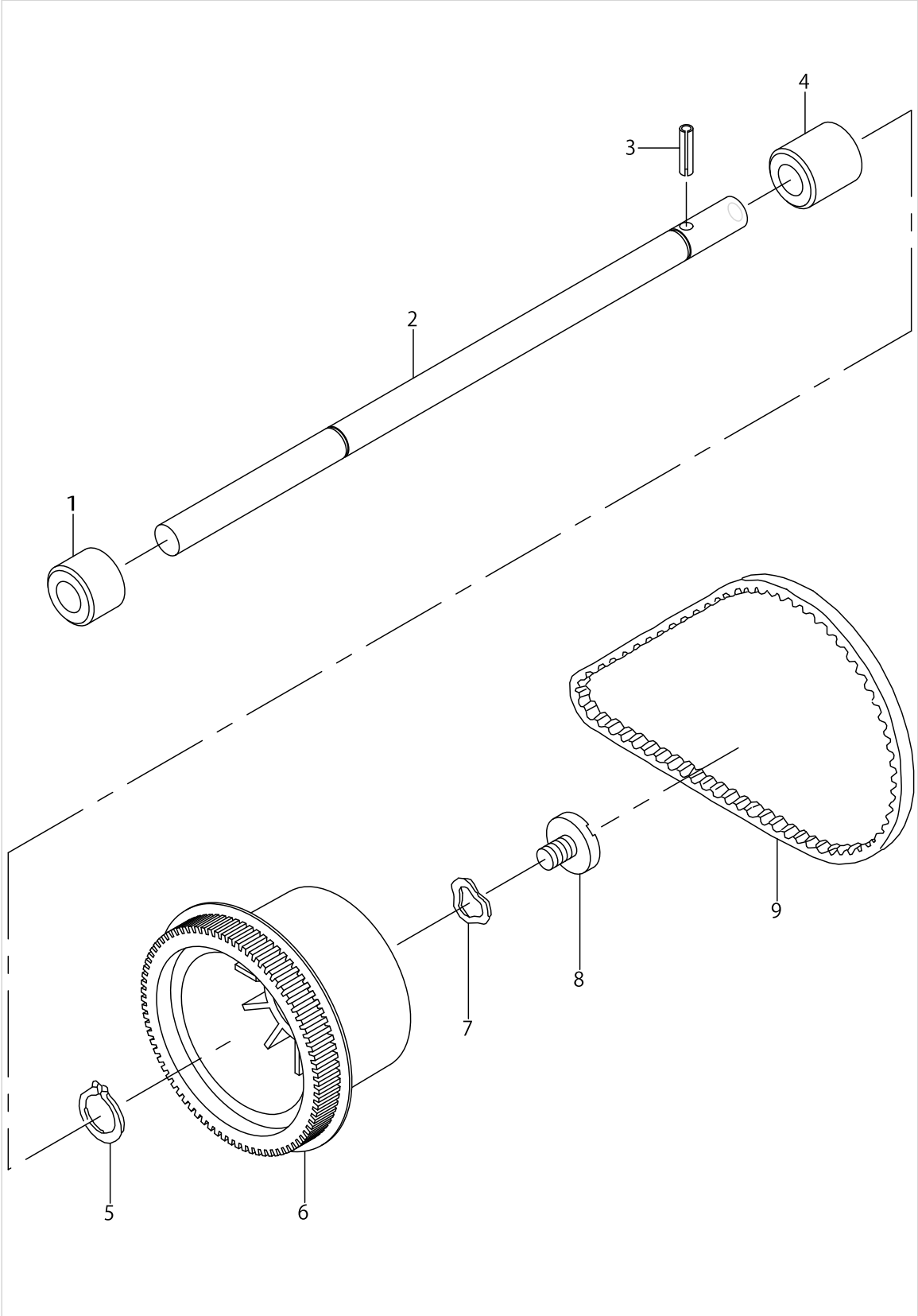
COVER COMPONENTS (2)



COVER COMPONENTS (2)

No.	Supply Code	Parts No.	Replacement	Parts name	Remarks	Choice	Step	Level	Cons	Qty	Rep. QTY
1		A11207760A0B		SUPPORTING ROD ASM.						1	
2		40082787		THREAD_GUIDE_POST_L				*		1	
3		A1129776000B		SUPPORTING ROD SETTING BASE				*		1	
4		SM5051255SN		SCREW				*		1	
5		A11211100A0		SPOOL HOLDER THR.GUIDE ASM.						1	
6		A1121776000		FOAM PAD						1	
7		A1120202000		SPOOL RETAINER						4	
8		A1118776000B		SPOOL HOLDER						1	
9		ST5041051SN		SCREW						1	
10		A110614D0A0		REAR COVER ASM.	FOR MO-114D					1	
11		40167421		REAR_COVER_ASM.	FOR MO-104D					1	
12		A110614D000		REAR COVER	FOR MO-114D			*		1	
13		40167418		REAR_COVER_104D	FOR MO-104D			*		1	
14		A3303800000		1ST THR.GUIDE INSTALLING BASE				*		4	
15		A3171800000		1ST THR.GUIDE DISK				*		4	
16		A3176776000		1ST THR.GUIDE COLLAR				*		4	
17		40143792		1ST_THREAD_GUIDE_SPRING				*		4	
18		A3107776000A		1ST THR.GUIDE DISK SCREW				*		4	
19		ST5030651SN		TAPPING SCREW D=3 L=6				*		4	
20		A3185113000		THREAD TENSION PILE				*		4	
21		A6018800000		LAMP SHIELDING SEAL				*		1	
22		SL5030831SF		SCREW M3 L=8						2	
23		SL5030631SF		SCREW M3 L=6						2	
24		A3121800000		LAMP INSTR.STICKER(15W)	FOR UL					1	
25		A3121800A00		LAMP INSTR.STICKER(10W)	FOR BS/CE/CH					1	
26		A1104644000B		CLOTH PLATE	FOR MO-114D					1	
27		A110464D000B		CLOTH PLATE	FOR MO-104D					1	
28		A11615350A0		CLOTH PLATE HINGE ASM.						1	
29		ST5041051SN		SCREW						2	
30		SL4040855SN		SCREW M4 L=8						2	
31		A1160634000		CLOTH PLATE OPENING SPRING						1	
32		ST5041051SN		SCREW						2	
33		A1104644A00A		CLOTHPLATECOVER						1	

MAIN SHAFT COMPONENTS

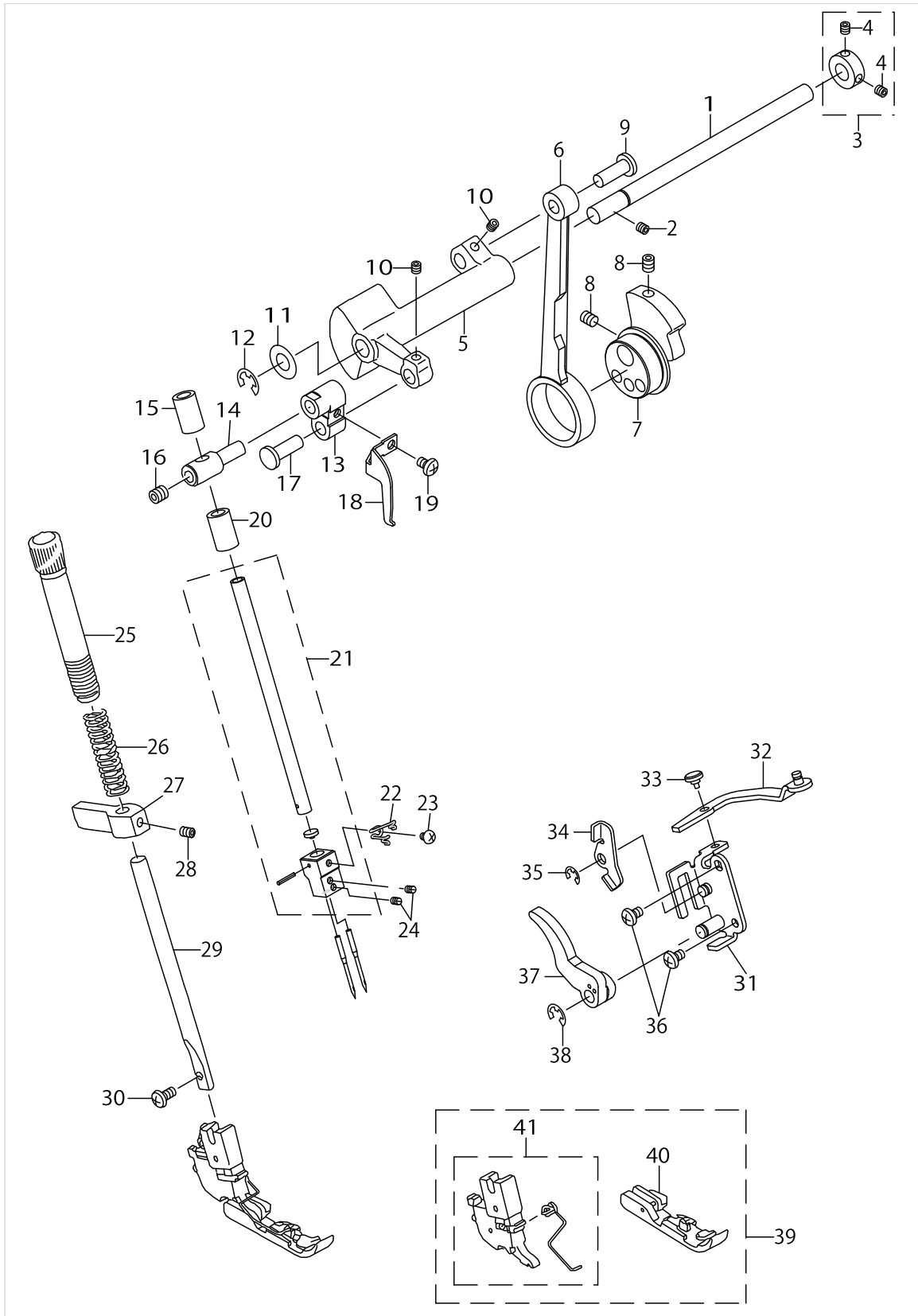


MAIN SHAFT COMPONENTS

No.	Supply Code	Parts No.	Replacement	Parts name	Remarks	Choice	Step	Level	Cons	Qty	Rep. QTY
1		A1206335000		MAIN SHAFT BUSHING FRONT						1	
2		40071772		MAIN SHAFT						1	
3	R	PS0400222KP	PS0400222K0	SPRING PIN						1	1.00
4		A1206202000		MAIN SHAFT BUSHING						1	
5		A1206102000		C RING						1	
6		A1202113000		HAND WHEEL						1	
7		A1206535000		HANDWHEEL WASHER						1	
8		A1230500000A		HANDWHEEL SETSCREW						1	
9		A1205634000		TIMING BELT						1	



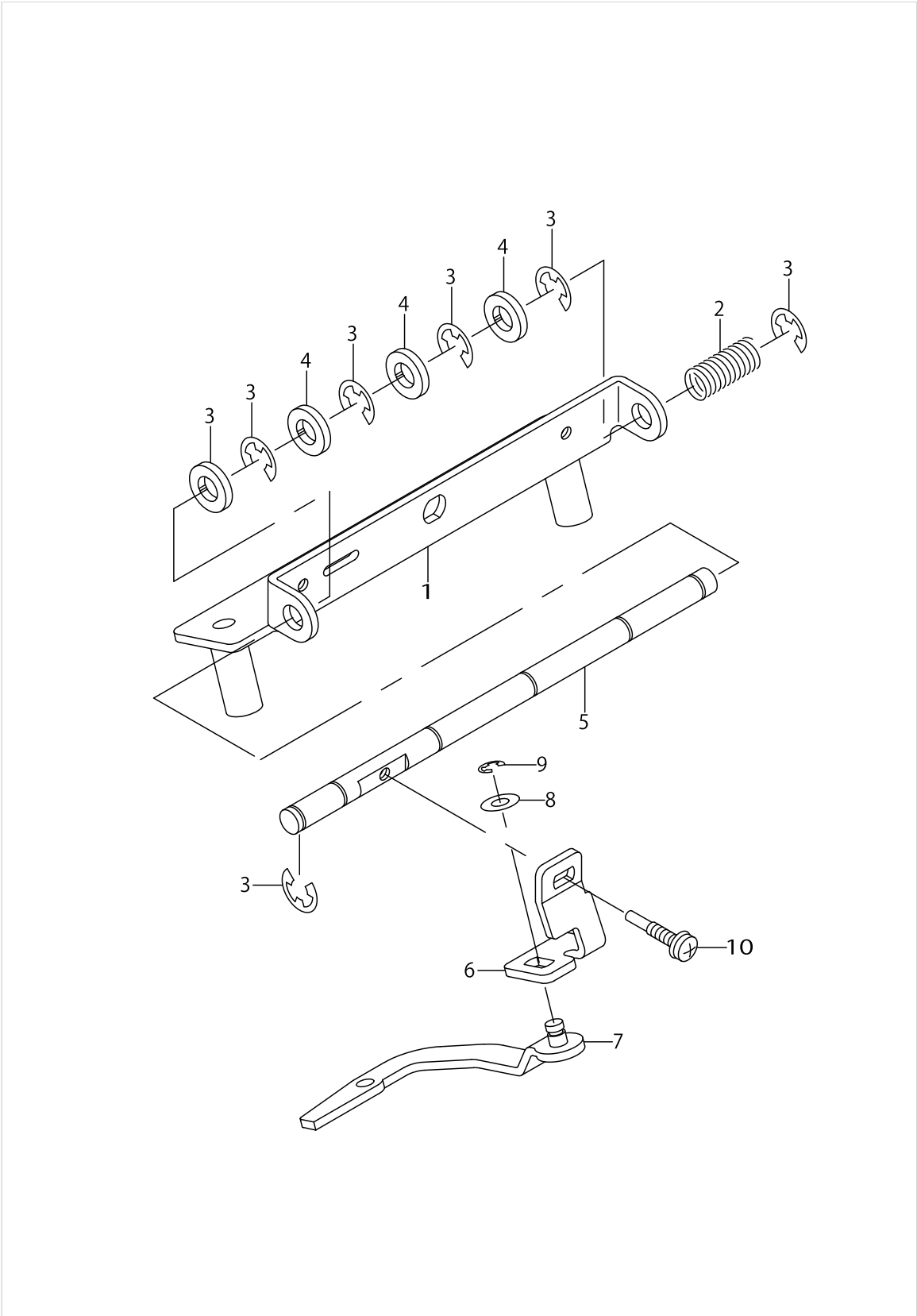
PRESSER FOOT COMPONENTS (1) & NEEDLE BAR COMPONENTS



PRESSER FOOT COMPONENTS (1) & NEEDLE BAR COMPONENTS

No.	Supply Code	Parts No.	Replacement	Parts name	Remarks	Choice	Step	Level	Cons	Qty	Rep. QTY
1		A1404535000		NEEDLE BAR DRIVING SHAFT						1	
2		SM8040402TP		SCREW M4X0.7 L=4						1	
3		A14145020A0		THRUST COLLAR ASM.						1	
4		SM8040402TP		SCREW M4X0.7 L=4				*		2	
5		A1402535000		NEEDLE BAR CRANK						1	
6		A1403335000A		NEEDLE BAR CRANK ROD						1	
7		A1401535000A		NEEDLE BAR DRIVING CAM						1	
8		SM8050612TP		SCREW M5X6						2	
9		A1403102000		CONNECTING PIN						1	
10		SM8040402TP		SCREW M4X0.7 L=4						2	
11		WP0820516SP		WASHER 11.6X8.2X0.6						1	
12		RE0600000K0		E-RING 6						1	
13		A1412535000		NEEDLE BAR LINK						1	
14		A1411335000		CLOTH PLATE FIXING SPRING						1	
15		A1407102000		NEEDLE BAR BUSHING LOWER						1	
16		SM8060602TP		SCREW M6X6						1	
17		A1403102000		CONNECTING PIN						1	
18		A1412534000		NEEDLE THREAD TAKE-UP						1	
19		SM4040655SN		SCREW M4X0.7 L=6						1	
20		A1407102000		NEEDLE BAR BUSHING LOWER						1	
21		A14065340A0		NEEDLE BAR ASM.						1	
22		A1409534000		NEEDLE BAR GUIDE						1	
23		SM4030455SN		SCREW						1	
24		A1416777000		NEEDLE SCREW						2	
25		A1503634000		PRESSER FOOT ADJUSTING SCREW						1	
26		A1501535000		PRESSER SPRING						1	
27		A1502535000		PRESSER BAR GUIDE BRACKET						1	
28		SM8050402TP		SCREW						1	
29		A1507535000		PRESSER BAR						1	
30		SM5040855SN		SCREW						1	
31		A15049DC0A0A		LIFTING LEVER SET PLATE ASM.						1	
32		A15739DC0A0		THR.TENS.RELEASE LINK ASM.						1	
33		A15699DC000		THR.TENS.RELEASE LINK PIN						1	
34		A15729DC000		THR.TENS.RELEASE DRIVING ARM						1	
35		RE0400000K0		E-RING 4						1	
36		SM4040655SN		SCREW M4X0.7 L=6						2	
37		A15069DC000A		LIFTING LEVER						1	
38		RE0500000K0		E-RING						1	
39		A15018000C0A		PRESSER FOOT MAS.ASM.						1	
40	R	A15018000A0	A15018000C0A	PRESSER FOOT ASM.				*		1	1.00
41		A15148000B0A		PRESSER FOOT SHANK ASM.				*		1	

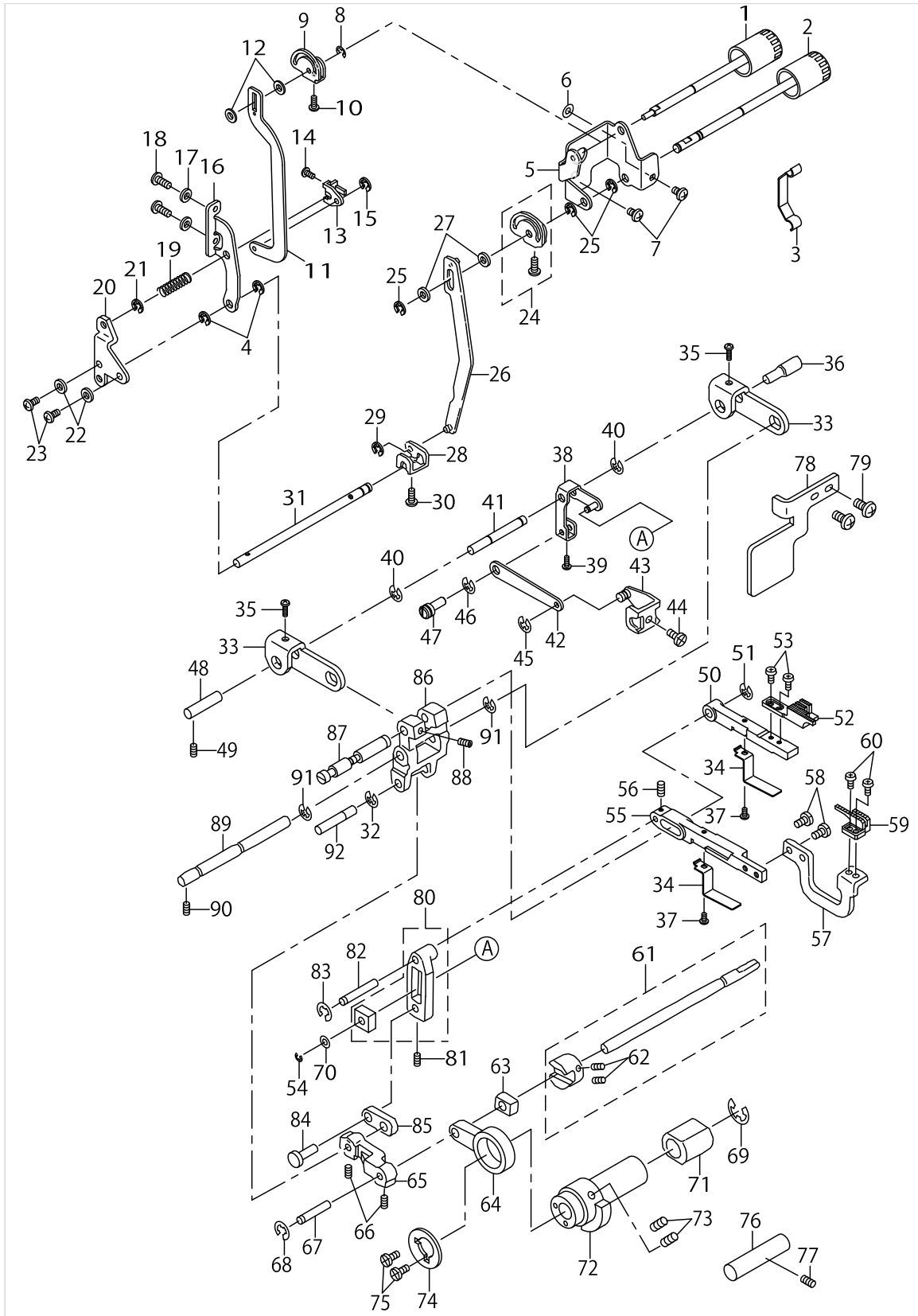
PRESSER FOOT COMPONENTS (2)



PRESSER FOOT COMPONENTS (2)

No.	Supply Code	Parts No.	Replacement	Parts name	Remarks	Choice	Step	Level	Cons	Qty	Rep. QTY
1		A11408000A0		REAR COVER FIXING PLATE						1	
2		A1574110000		SPRING						1	
3		RE0500000K0		E-RING						6	
4		A1577110000		WASHER						4	
5		A1573800000		SHAFT						1	
6		A1574800000		ADJUSTMENT ARM						1	
7		A15739DC0A0		THR.TENS.RELEASE LINK ASM.						1	
8		A1577110000		WASHER						1	
9		RE0300000K0		E-RING 3						1	
10		A1208700000		SCREW R						1	

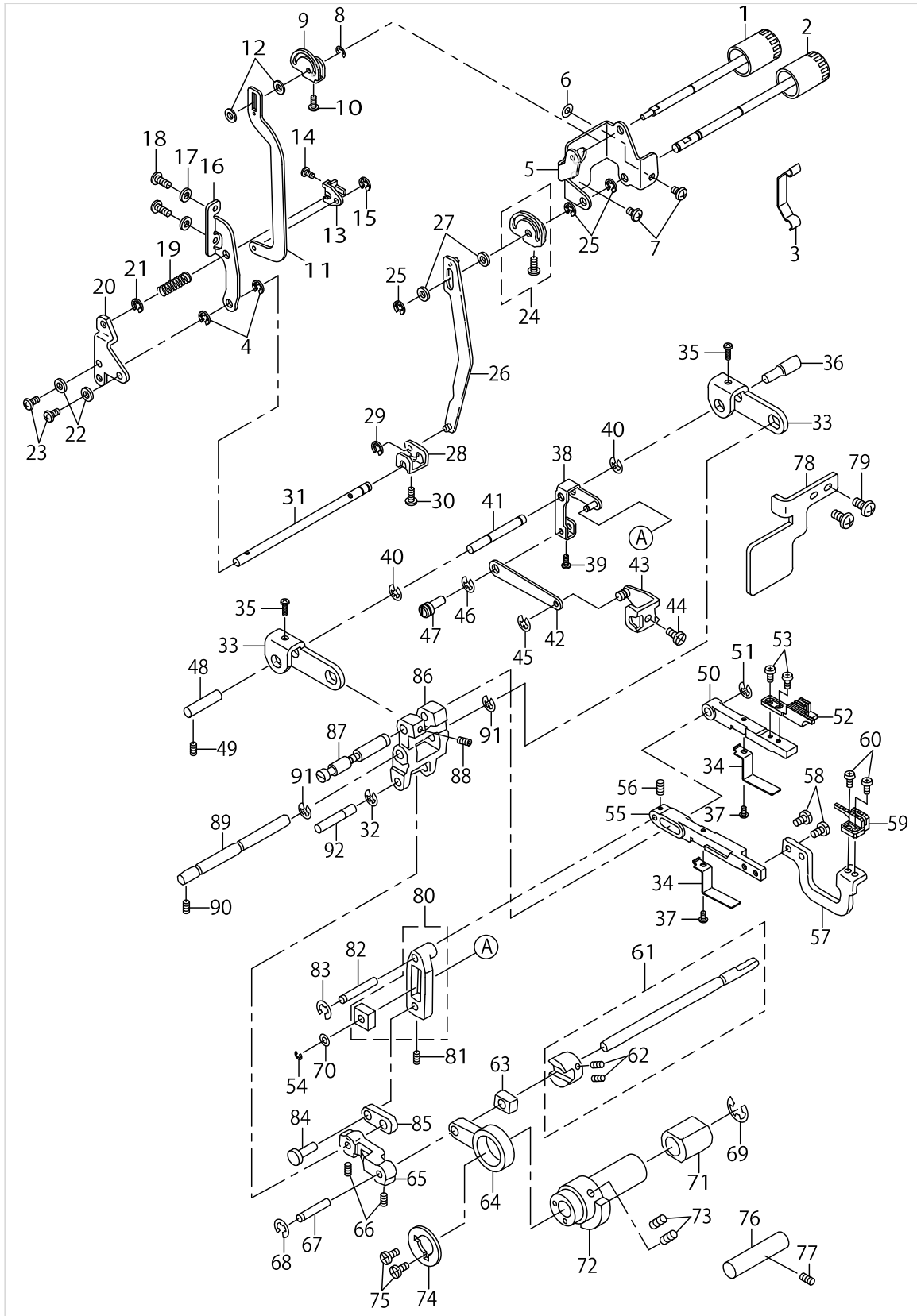
FEED MECHANISM COMPONENTS (FOR MO-114D)



FEED MECHANISM COMPONENTS (FOR MO-114D)

No.	Supply Code	Parts No.	Replacement	Parts name	Remarks	Choice	Step	Level	Cons	Qty	Rep. QTY
1		A1601800000		STITCH LENGHT ADJUSTNG KNOB						1	
2		A1602800000		DIF.FEED ADJUSTING KNOB						1	
3		A1611655000		KNOB HOLDING PLATE						1	
4		RE0500000K0		E-RING						2	
5		A1610655000		FEED KNOB SUPPORT PLATE						1	
6	R	WP0410516RZ	WP0410846SC	WASHER						1	1.00
7		SM4040655SN		SCREW M4X0.7 L=6						2	
8		RE0400000K0		E-RING 4						1	
9		A1613655000		MAIN FEED ADJUSTING CAM						1	
10		SM5030855SN		SCREW						1	
11		A16196550A0		MAIN FEED ADJUSTING LINK (A)						1	
12	R	WP0410516RZ	WP0410846SC	MAIN FEED ADJUSTING CAM WASHER						2	1.00
13		A1630534D00		MAIN FEED ADJUSTING ARM						1	
14		SM5030655SN		SCREW M3X0.5 L=6						1	
15		RE0300000K0		E-RING 3						1	
16		A1634655000A		FEED ADJ.SHAFT SUPPORT PLATE						1	
17		WP0430801SC		WASHER M4						2	
18		SM5041055SN		SCREW M4X10						2	
19		A1633534D00		SPRING						1	
20		A1635534D00		BEARING						1	
21		RE0500000K0		E-RING						1	
22		WP0450816SC		WASHER						2	
23		SM5041055SN		SCREW M4X10						2	
24		A1637534DA0		DIF.FEED ADJ.CAM ASM.						1	
25		RE0400000K0		E-RING 4						3	
26		A1620534DA0		DIF.FEED ADJUSTING LINK						1	
27		A1614534D00		COLLAR						2	
28		A1655534D00		DIF.FEED.ADJ.ARM						1	
29		RE0300000K0		E-RING 3						1	
30		SM5030655SN		SCREW M3X0.5 L=6						1	
31		A1662655000A		SHAFT						1	
32		RE0400000K0		E-RING 4						1	
33		A1660534D00A		DIF.FEED SHAFT HOLDER						1	
34		A1616030Z00		SPRING						2	
35		SM5031001SE		SCREW M3 L=10						2	
36		A1664534D00		SHAFT						1	
37		SM4030655SP		SCREW						2	
38		A16618000A0		SUB FEED ADJUSTING ARM (A)ASM.						1	
39		SM5030855SN		SCREW						1	
40		RE0500000K0		E-RING						2	
41		A1660800000		SUB FEED ADJ.ARM SHAFT						1	
42		A1653776000		DIF.FEED ADJUSTING LINK A						1	
43		A1657534DA0		SUB FEED ADJ.ARM SHAFT B ASM.						1	
44		SM5030655SN		SCREW M3X0.5 L=6						1	
45		RE0300000K0		E-RING 3						1	

FEED MECHANISM COMPONENTS (FOR MO-114D)

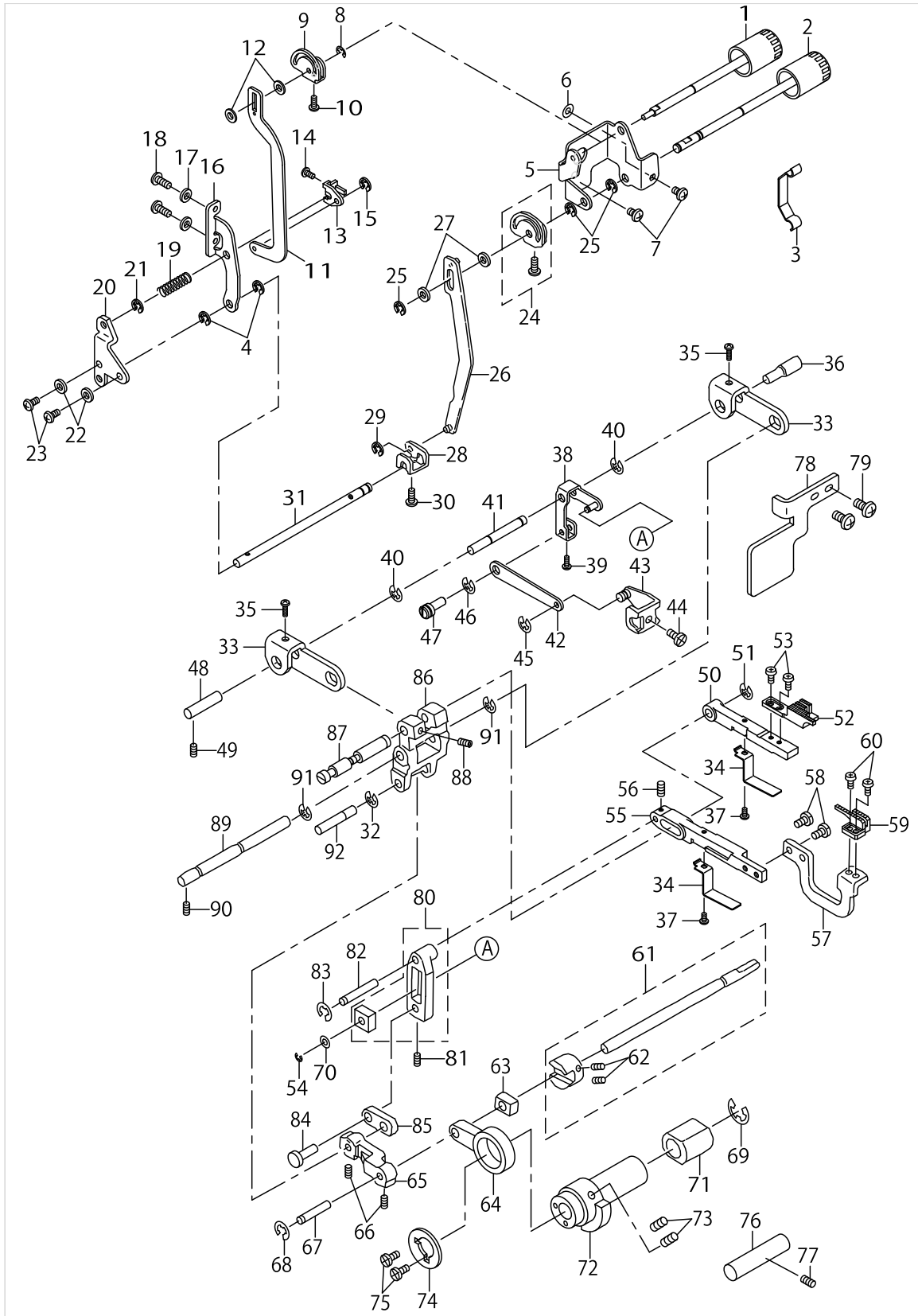


FEED MECHANISM COMPONENTS (FOR MO-114D)

No.	Supply Code	Parts No.	Replacement	Parts name	Remarks	Choice	Step	Level	Cons	Qty	Rep. QTY
46		RE050000K0		E-RING						1	
47		A1654776000A		ECCENTRIC PIN						1	
48		A1663534D00		DIF.FEED SHAFT (A)						1	
49		SM8040402TP		SCREW M4X0.7 L=4						1	
50		A1625800000		FEED BASE						1	
51		RE050000K0		E-RING						1	
52		A1627634D00		MAIN FEED DOG						1	
53		SM4030655SP		SCREW						2	
54		RE030000K0		E-RING 3						1	
55		A1639800000		SUB FEED BASE						1	
56		SM8030302TP		SCREW M3X0.5 L=3						1	
57		A1648535000		DIF.FEED DOG SETTING BASE T						1	
58		SM9040700SP		HEXAGONAL BOLT						2	
59		A1648800000		SUB FEED DOG						1	
60		SM4030655SP		SCREW						2	
61		A1637534DA0		FEED REGULATOR (ASM.)						1	
62		SM8030402TP		SCREW M3X0.5 L=4				*		2	
63		A1638776000		MAIN FEED SLIDE BLOCK						1	
64		A1616534D00		MAIN FEED ROD						1	
65		A1640534D00		MAIN FEED LINK						1	
66		SM8030402TP		SCREW M3X0.5 L=4						2	
67		A1639534D00		SHAFT						1	
68		RE040000K0		E-RING 4						1	
69		RE090000K0		E-RING 9						1	
70		WP0430801SC		WASHER M4						1	
71		A1630535000		VERTICAL FEED ADS.						1	
72		A1617534D00A		MAIN FEED CAM						1	
73		SM8040602TP		SCREW M4X0.7 L=6						2	
74		A1618534D00		THRUST PLATE						1	
75		A1618534D0A		SCREW						2	
76		A1612535000		FEED BASE GUIDE ROD						1	
77		SM8040402TP		SCREW M4X0.7 L=4						1	
78		A1613535000		FEED BASE GUIDE						1	
79		SM4040655SN		SCREW M4X0.7 L=6						2	
80		A1651534DA0		DIF.FEED ARM ASM.						1	
81		SM8030402TP		SCREW M3X0.5 L=4						1	
82		A1665534D00		SHAFT						1	
83		RE030000K0		E-RING 3						1	
84		A2529335000		UPPER LOOPER ARM PIN						1	
85		A1650534D00		DIF FEED LINK						1	
86		A1645534D00		MAIN FEED ARM						1	
87		A1646534D00		BASE SUPPORTING SHAFT						1	
88		SM8040402TP		SCREW M4X0.7 L=4						1	
89		A1647534D00		MAIN FEED SHAFT						1	
90		SM8040402TP		SCREW M4X0.7 L=4						1	
91		RE050000K0		E-RING						1	



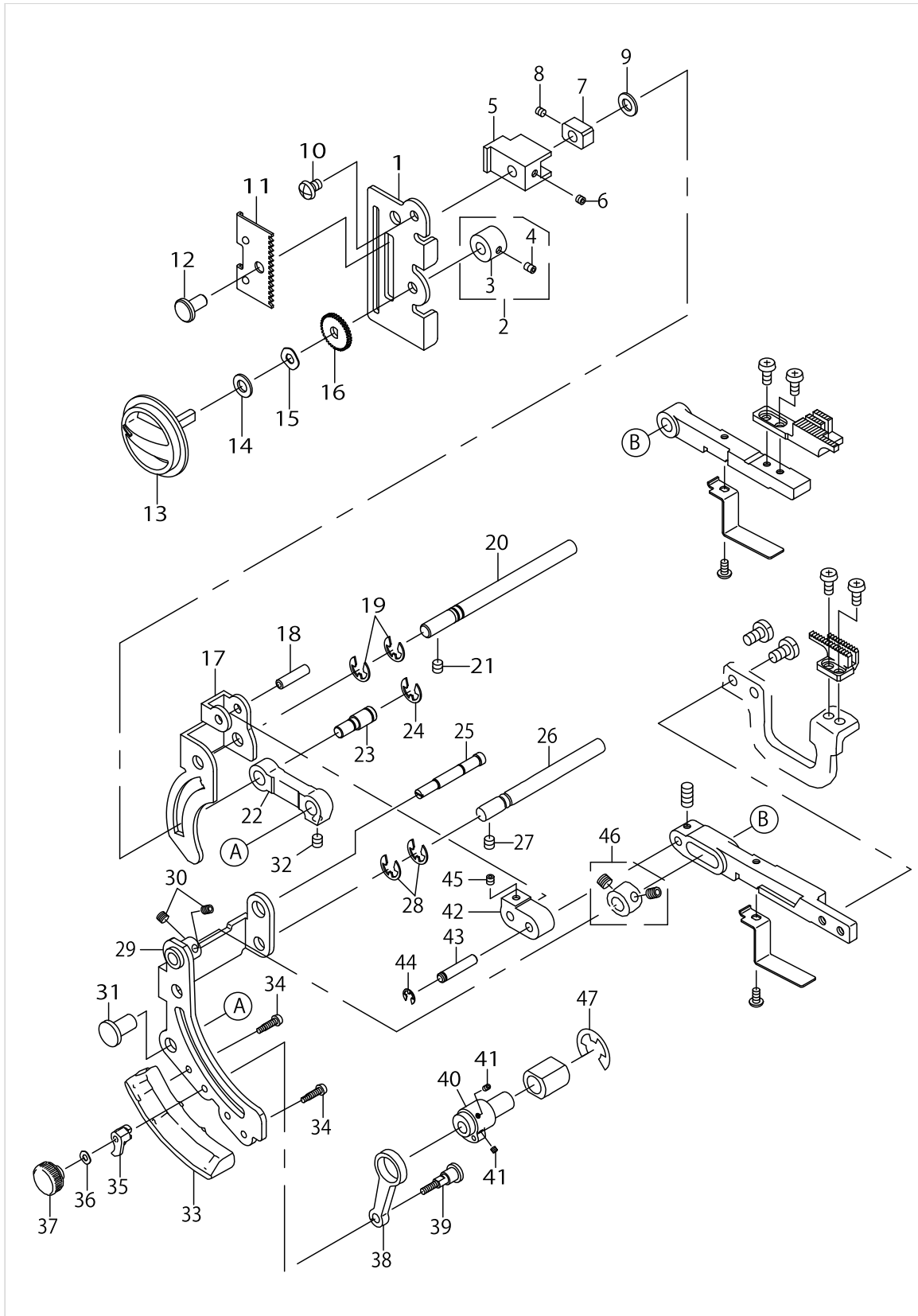
FEED MECHANISM COMPONENTS (FOR MO-114D)



FEED MECHANISM COMPONENTS (FOR MO-114D)

No.	Supply Code	Parts No.	Replacement	Parts name	Remarks	Choice	Step	Level	Cons	Qty	Rep. QTY
92		A1641534D00		SHAFT						1	

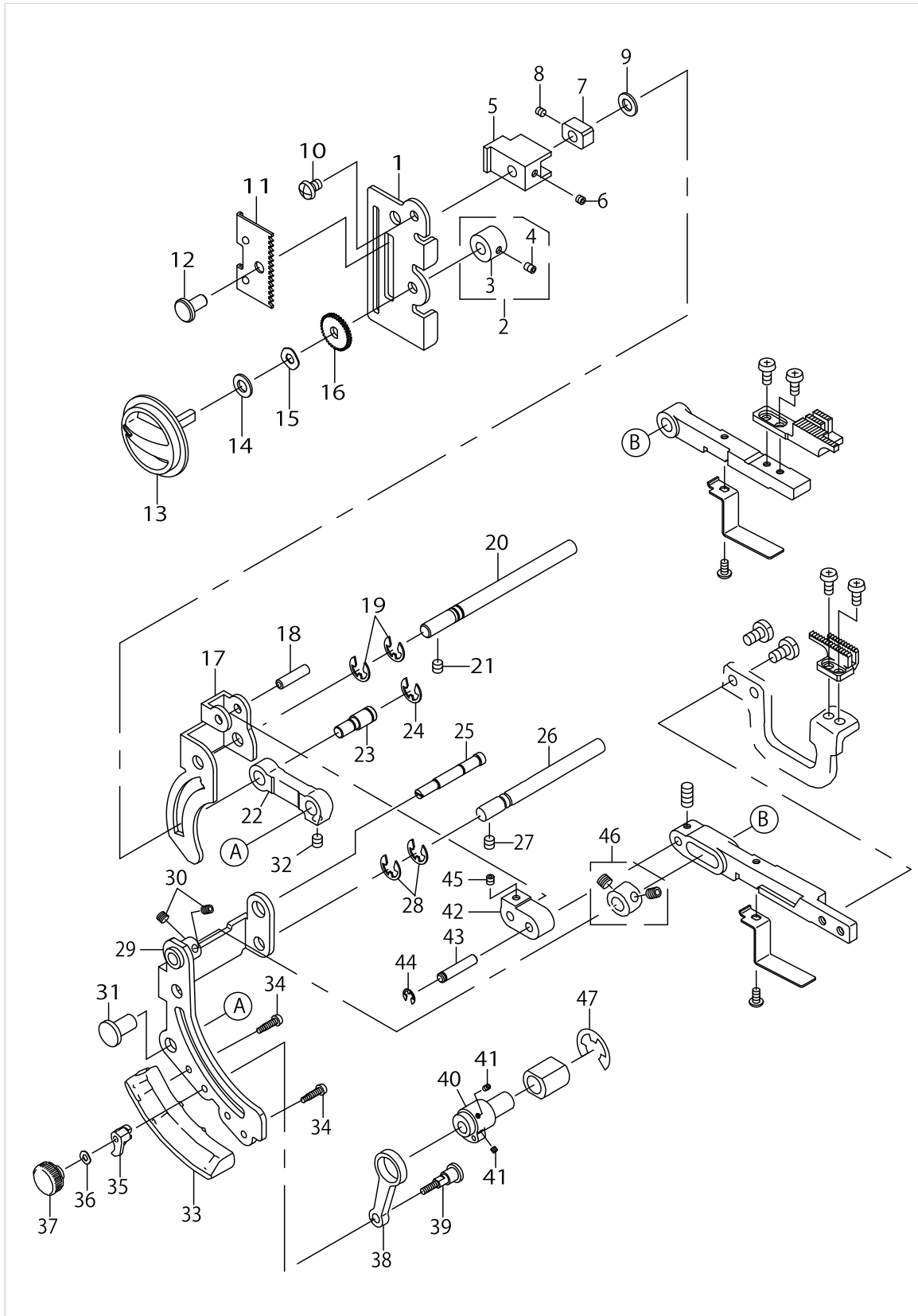
FEED MECHANISM COMPONENTS (FOR MO-104D)



FEED MECHANISM COMPONENTS (FOR MO-104D)

No.	Supply Code	Parts No.	Replacement	Parts name	Remarks	Choice	Step	Level	Cons	Qty	Rep. QTY
1		A167452D000		DIF FEED ADJUSTING PLATE						1	
2		A16168800A0		DIF FEED ADJUSTING THRUST COLLAR ASM.						1	
3		A1616880000		THRUST COLLAR				*		1	
4		SM8030302TP		SCREW M3X0.5 L=3				*		1	
5		A165152D000		DIF.FEED BLOCK GUIDE						1	
6		SM8030302TP		SCREW M3X0.5 L=3						1	
7		A1638776000		MAIN FEED SLIDE BLOCK						1	
8		SM8030302TP		SCREW M3X0.5 L=3						1	
9		WP0531001SC		WASHER 5.3X10X1						1	
10		SM5040655SN		SCREW						1	
11		A167552D0A0		DIF.FEED ADJUSTING						1	
12		A167652D000		GUIDE PIN						1	
13		A160264D000A		DIF.FEED ADJUSTING KNOB						1	
14		WP0531001SC		WASHER 5.3X10X1						1	
15		WZ0540200KH		WAVE WASHER 5.4X10X0.15						1	
16		A167352D000		DIF.FEED ADJUSTING GEAR						1	
17		A1636535000A		DIF.FEED ARM T						1	
18		A1634535000		DIF.FEED ARM CONN.SHAFT						1	
19		RE0500000K0		E-RING						2	
20		A163752D000		DIF.FEED SHAFT						1	
21		SM8040402TP		SCREW M4X0.7 L=4						1	
22		A1631535000		DIF.FEED ADJUSTING LINK						1	
23		A167052D000		DIF.FEED CONN.SHAFT						1	
24		RE0500000K0		E-RING						1	
25		A1626535000A		FEED BASE SUPPORT SHAFT						1	
26		A1622535000		HORIZONTAL FEED SHAFT						1	
27		SM8040402TP		SCREW M4X0.7 L=4						1	
28		RE0500000K0		E-RING						2	
29		A16235350A0		FEED BASE ARM						1	
30		SM8040302TP		SETSCREW						2	
31		A1620335000		HORIZONTAL FEED ARM PIN						1	
32		SM8040402TP		SCREW M4X0.7 L=4						1	
33		A1628535000A		FEED ADJUSTING SCALE						1	
34		ST4861051SN		TUPING SCREW						2	
35		A1652535000		FEED ADJUSTING POINTER						1	
36		WZ0430200KP		WASHER						1	
37		A1650534000		FEED ADJUSTING KNOB						1	
38		A1616535000		HORIZONTAL FEED CAM						1	
39		A1651535000		FEED ADJUSTING ROD						1	
40		A1617534000A		HORIZONTAL FEED CAM						1	
41		SM8040602TP		SCREW M4X0.7 L=6						2	
42		A1637535000		DIF FEED LINK						1	
43		A1635535000		DIF.FEED CONN.SHAFT						1	
44		RE0300000K0		E-RING 3						1	
45		SM8030302TP		SCREW M3X0.5 L=3						1	
46		A16168800A0		THRUST COLLAR ASM.						1	

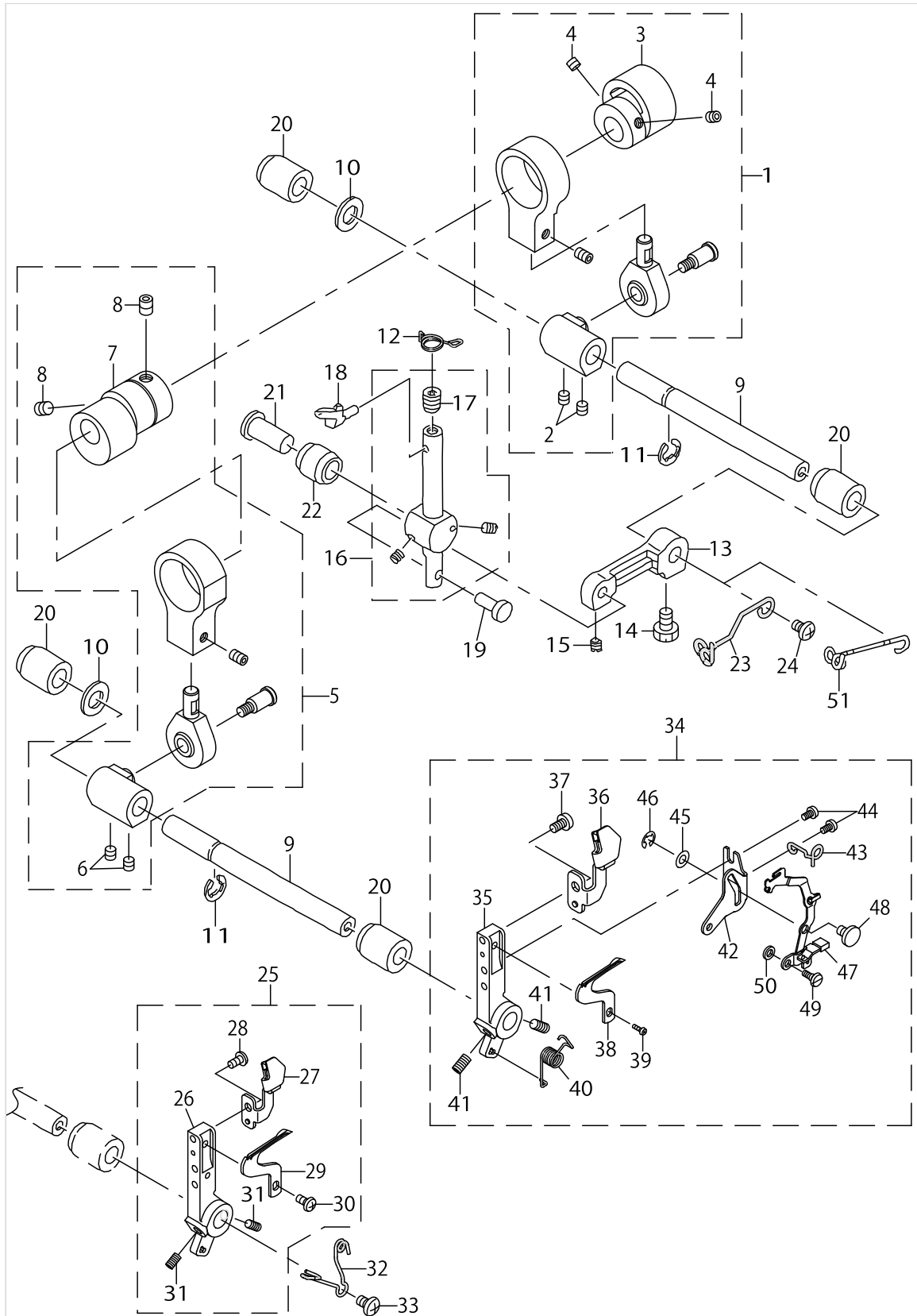
FEED MECHANISM COMPONENTS (FOR MO-104D)



FEED MECHANISM COMPONENTS (FOR MO-104D)

No.	Supply Code	Parts No.	Replacement	Parts name	Remarks	Choice	Step	Level	Cons	Qty	Rep. QTY
47		RE090000K0		E-RING 9						1	

# LOOPER DRIVE COMPONENTS

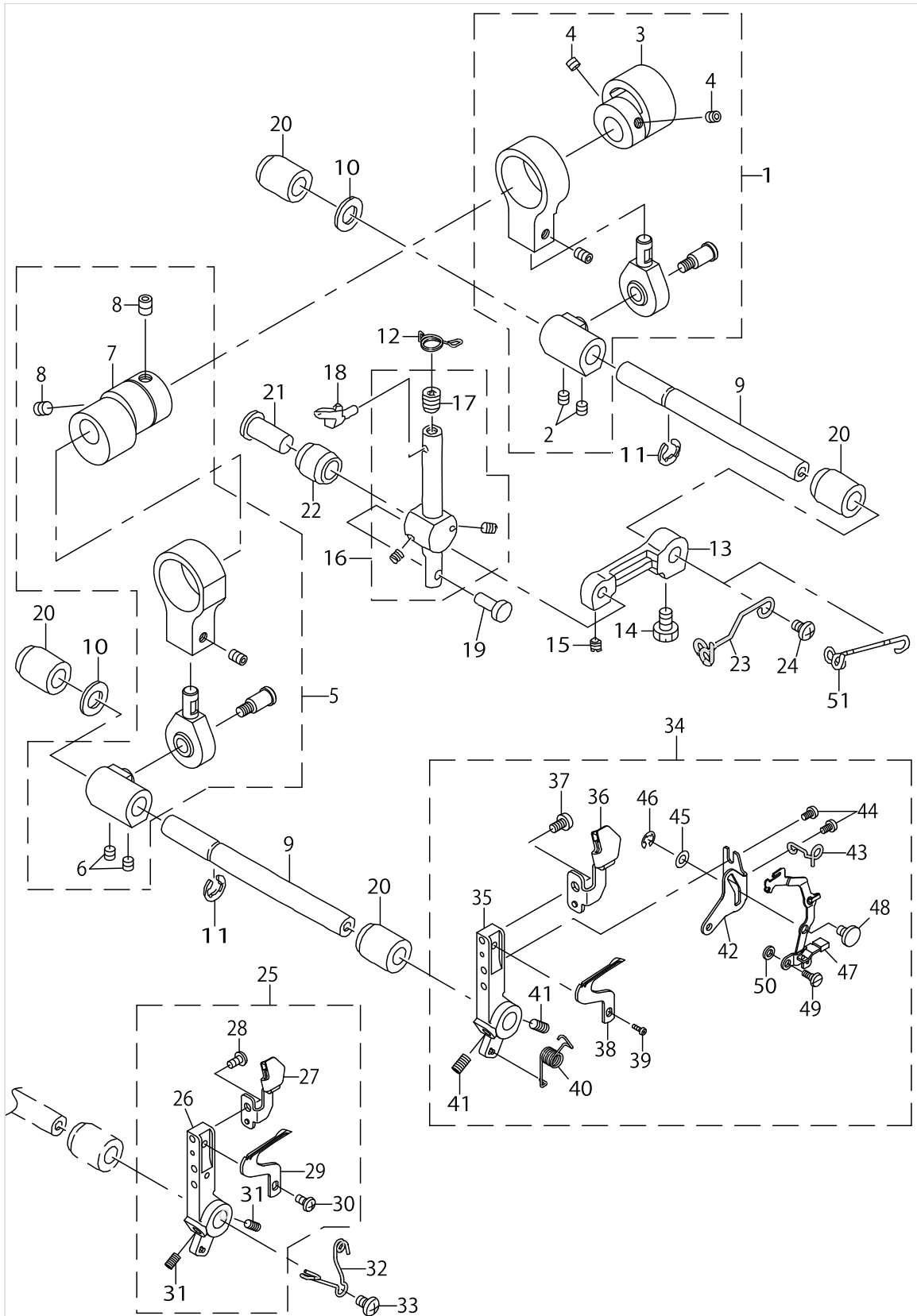


LOOPER DRIVE COMPONENTS

No.	Supply Code	Parts No.	Replacement	Parts name	Remarks	Choice	Step	Level	Cons	Qty	Rep. QTY
1		40061961		UPPER LOOPER CAM (ASM.)						1	
2		SM8040402TP		SCREW M4X0.7 L=4				*		2	
3		A2501534000A		UPPER LOOPER CAM				*		1	
4		SM8040402TP		SCREW M4X0.7 L=4				*		2	
5		40079513		LOWER LOOPER ROD (ASM.)						1	
6		SM8040402TP		SCREW M4X0.7 L=4				*		2	
7		A251453400C		LOWER LOOPER CAM				*		1	
8		SM8050602TP		SCREW M5 L=6				*		1	
9		A2521534000		LOOPER SHAFT						2	
10		WP0820516SP		WASHER 11.6X8.2X0.6						2	
11		RE0600000K0		E RING 6						2	
12		A25227760A0		UPPER LOOPER TH- R. GUIDE (ASM.)						1	
13		A2510334000		UPPER LOOPER OS- C.ARM CONNCT						1	
14		SM9050850SP		SCREW						1	
15		SM8040402TP		SCREW M4X0.7 L=4						1	
16		A25308000A0		UPPER LOOPER SL- IDE SHAFT ASM.						1	
17		SM8040402TP		SCREW M4X0.7 L=4				*		1	
18		A2512776000		UPPER LOOPER						1	
19		A2529335000		UPPER LOOPER ARM PIN						1	
20		A2561777000		BUSHING						4	
21		A2531534000A		UPPER LOOPER GUIDE SHAFT						1	
22		A2561777000		BUSHING						1	
23		A25195340A0		UPPER LOOPER TH- READ TAKE-UP ASM.	FOR MO-114D					1	
24		SM4040655SN		SCREW M4X0.7 L=6						1	
25		A25178000A0		LOWER LOOPER SUPP.ARM ASM.	FOR MO-104D					1	
26		40067886		LOWER_LOOPER_SUPPORT_ARM				*		1	
27		A2536800000A		NEEDLE GUARD				*		1	
28		SM5030655SN		SCREW M3X0.5 L=6				*		1	
29		A252633500S		LOWER LOOPER				*		1	
30		SM5030655SN		SCREW M3X0.5 L=6				*		1	
31		SM8040602TP		SCREW M4X0.7 L=6				*		2	
32		A25205340A0		LOWER THREAD GUIDE						1	
33		SM4040655SN		SCREW M4X0.7 L=6						1	
34		A251780L0A0		LOWER LOOPER SUPP.ARM ASM.	FOR MO-114D					1	
35		40067886		LOWER_LOOPER_SUPPORT_ARM				*		1	
36		A2536800000A		NEEDLE GUARD				*		1	
37		SM5030655SN		SCREW M3X0.5 L=6				*		1	
38		A252633500A		LOWER LOOPER				*		1	
39		SM5030655SN		SCREW M3X0.5 L=6				*		1	
40		A253733500SA		SPRING				*		1	
41		SM8040602TP		SCREW M4X0.7 L=6				*		2	
42		A253333500S		LOWER LOOPER THR. GUIDE BASE				*		1	
43		A25206540A0		LOW.LOOPER THREAD TAKE-UP				*		1	
44		SM5030655SN		SCREW M3X0.5 L=6				*		2	
45		A253933500S		WASHER				*		1	



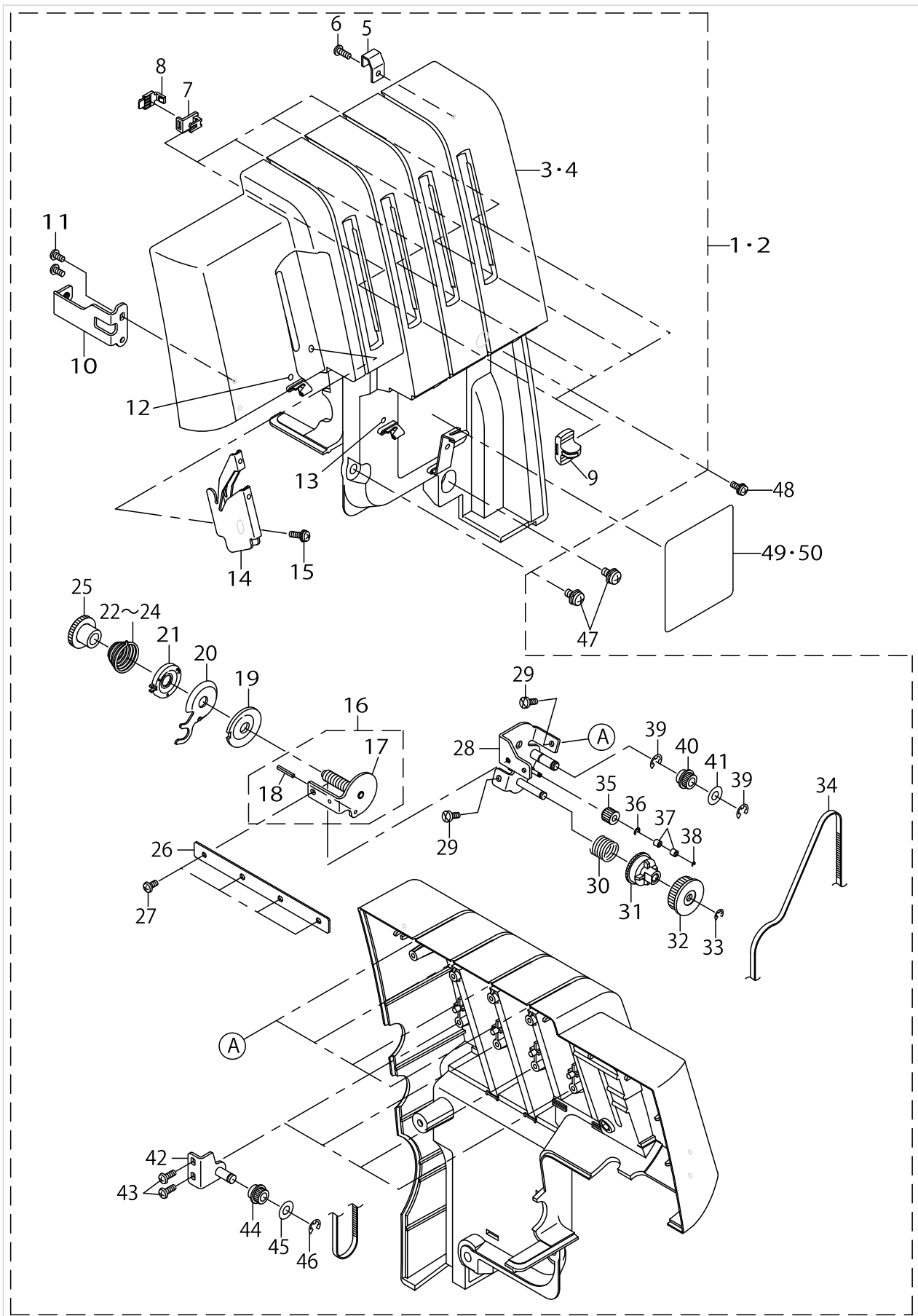
LOOPER DRIVE COMPONENTS



LOOPER DRIVE COMPONENTS

No.	Supply Code	Parts No.	Replacement	Parts name	Remarks	Choice	Step	Level	Cons	Qty	Rep. QTY
46		RE0200000K0		E-RING 2				*		1	
47		A25346540B0A		LOWER LOOPER TH- READ GUIDE ARM				*		1	
48		A253233500S		CONNECTING PIN				*		1	
49		A253133500S		SCREW				*		1	
50		WP0320501SC		WASHER M3				*		1	
51		A25196340A0		UPPER LOOPER TH- READ TAKE-UP ASM.	FOR MO-104D					1	

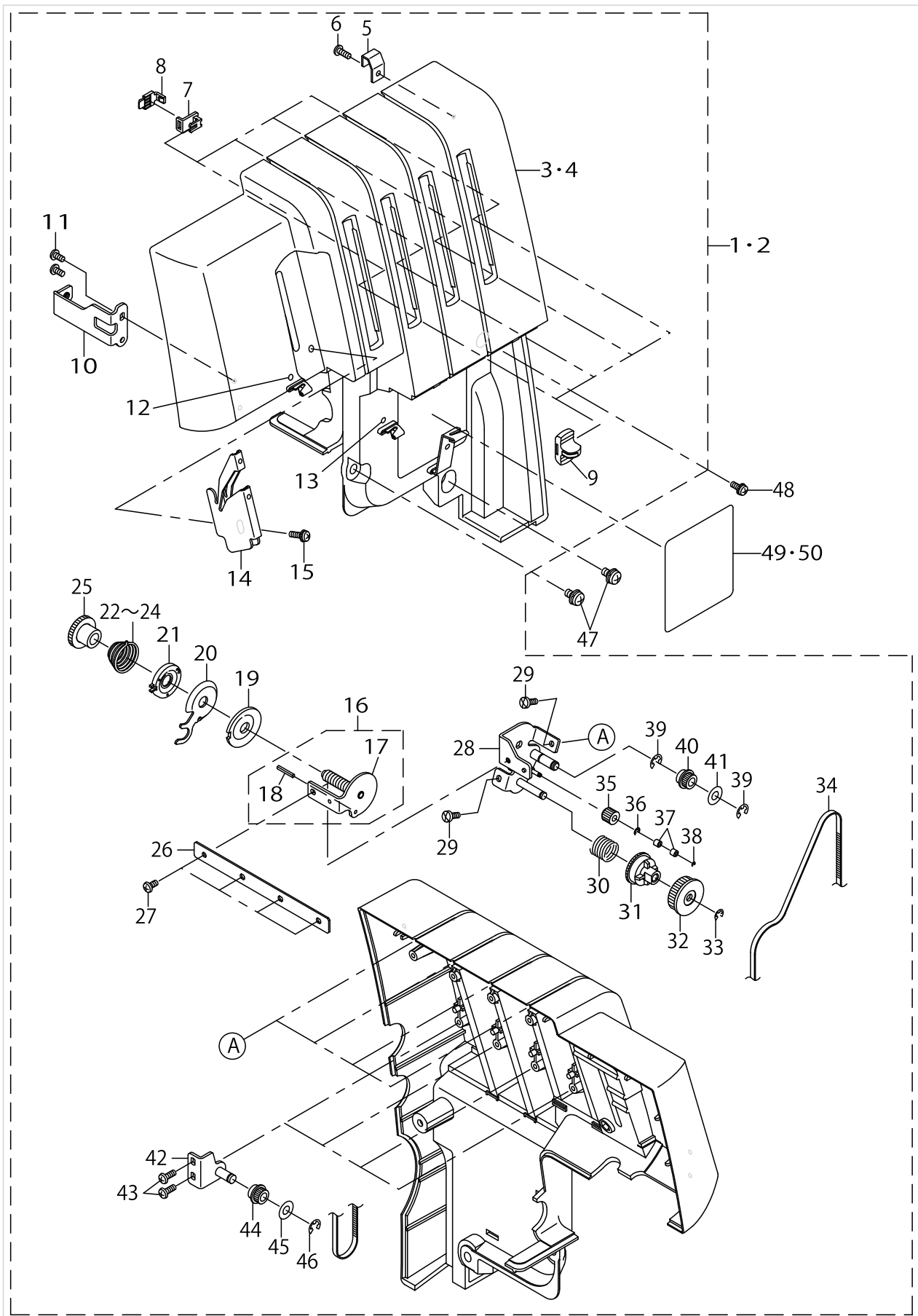
THREAD TENSION COMPONENTS



THREAD TENSION COMPONENTS

No.	Supply Code	Parts No.	Replacement	Parts name	Remarks	Choice	Step	Level	Cons	Qty	Rep. QTY
1		40166046		FRONT_COVER_M0114D_ASM.	FOR M0-114D					1	
2		40166100		FRONT_COVER_M0104D_ASM.	FOR M0-104D					1	
3		A310180000A		FRONT_COVER	FOR M0-114D			*		1	
4		A310170D000A		FRONT_COVER	FOR M0-104D			*		1	
5		A3158634000		FRONT COVER FIX PLATE (A)				*		1	
6		ST5030851SN		SCREW M5X8				*		1	
7		A3106800000		THREAD TENSION ADJUSTING KNOB BASE				*		4	
8		A3107800000		THREAD TENSION BELT STOPPER				*		4	
9		A3105800000		THREAD TENSION ADJUSTING KNOB				*		4	
10		A3119110000		FRONT COVER INSTALL. HOLDER				*		1	
11		ST5030851SN		SCREW M5X8				*		2	
12		A3181324000		SEAL				*		1	
13		A3150335000		BLUE SEAL				*		1	
14		A31158000A0		NEEDLE THREAD TAKE-UP GUIDE ASM.				*		1	
15		SL5031031SN		SCREW				*		1	
16		A31488000B0		THREAD TENSION SHAFT PLATE MAS.ASM.				*		1	
17		A31488000A0		THREAD TENSION SHAFT PLATE ASM.				*		1	
18		PS0200122KP		SPRING PIN TYPE W 2X12				*		1	
19		A3910634000B		THREAD TENSION DISC				*		1	
20		A3126800000		THREAD TENSION DISC				*		1	
21		A3900634000		SPRING HOLDER				*		1	
22		A3903634000		SPRING	FOR LN			*		1	
23		A3902634000		SPRING	FOR RN/UL			*		1	
24		A3906634000		LOWER THREAD TENSION SPRING	FOR LL			*		1	
25		A3134800000		THREAD TENSION ADJUSTING GEAR				*		1	
26		A3220800000		FIXING PLATE				*		1	
27		SM5030655SN		SCREW M3X0.5 L=6				*		4	
28		A32018000A0		THREAD TENSION ADJUSTING BASE ASM.				*		1	
29		ST5030851SN		SCREW M5X8				*		2	
30		A3208800000		SPRING				*		1	
31		A3206800000		THREAD TENSION DRIVING GEAR				*		1	
32		A3210800000		THREAD TENSION PULLEY				*		1	
33		RE0300000K0		E-RING 3				*		1	
34		A3122800000		THREAD TENSION DRIBING BELT				*		1	
35		A3122776000		INTERMEDIATE GEAR				*		1	
36		RE0200000K0		E-RING 2				*		1	
37		A3176776000		1ST THR.GUIDE COLLAR				*		2	
38		RE0120000K0		E-RING				*		1	
39		RE0400000K0		E-RING 4				*		2	
40		A3211800000		IDLER PULLEY				*		1	
41		WP0531001SC		WASHER M5				*		1	
42		A32158000A0		IDLERBRACKET ASM.				*		1	
43		ST5030851SN		SCREW M5X8				*		2	
44		A3211800000		IDLER PULLEY				*		1	

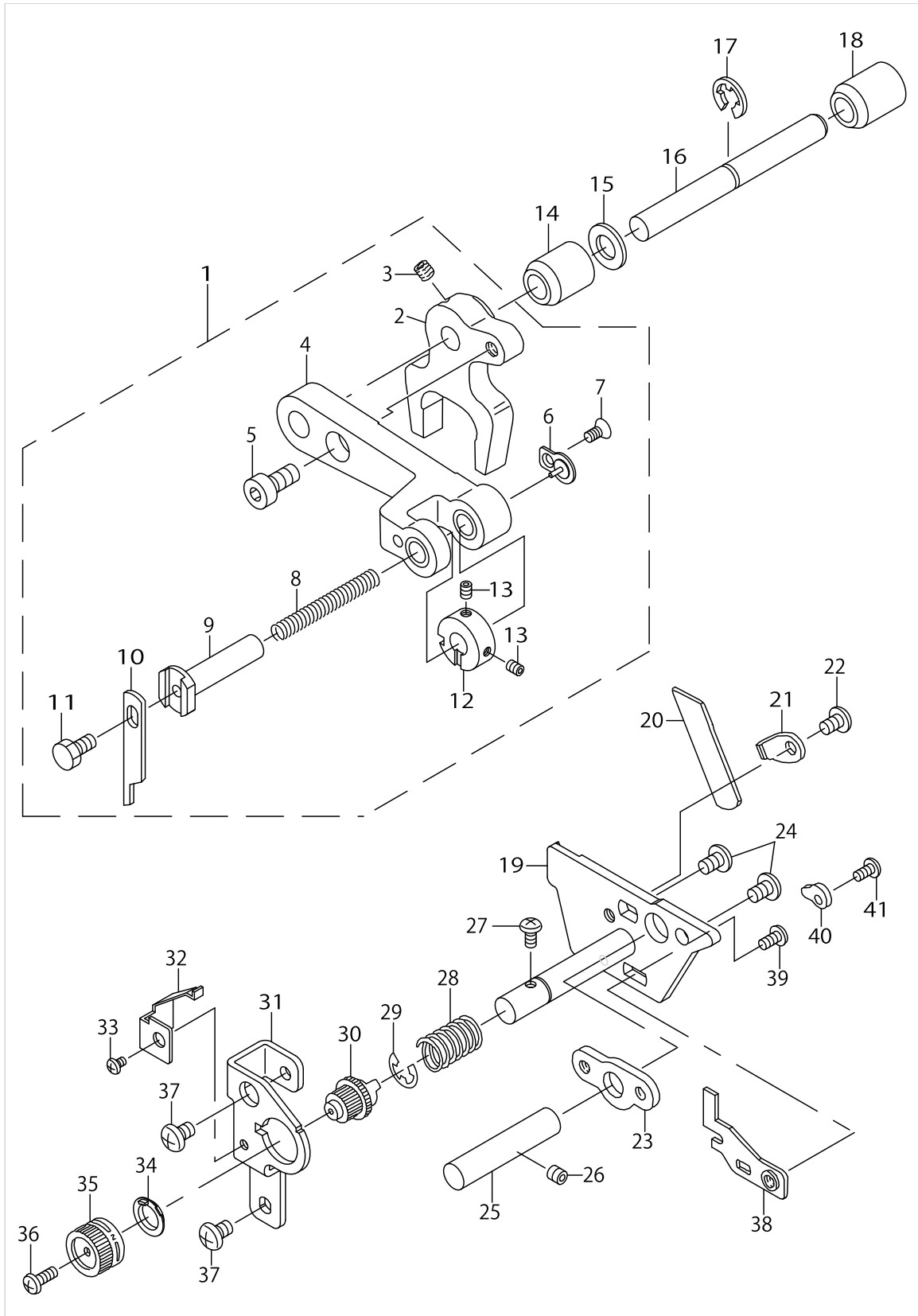
THREAD TENSION COMPONENTS



THREAD TENSION COMPONENTS

No.	Supply Code	Parts No.	Replacement	Parts name	Remarks	Choice	Step	Level	Cons	Qty	Rep. QTY
45		WP0531001SC		WASHER M5				*		1	
46		RE0400000K0		E-RING 4				*		1	
47		SL5040835SN		SCREW						2	
48		SL5030831SF		SCREW M3 L=8						1	
49		A119080L000		THREADING CHART	FOR MO-114D					1	
50		A1190800000		THREADING CHART	FOR MO-104D					1	

# KNIFE DRIVE COMPONENTS

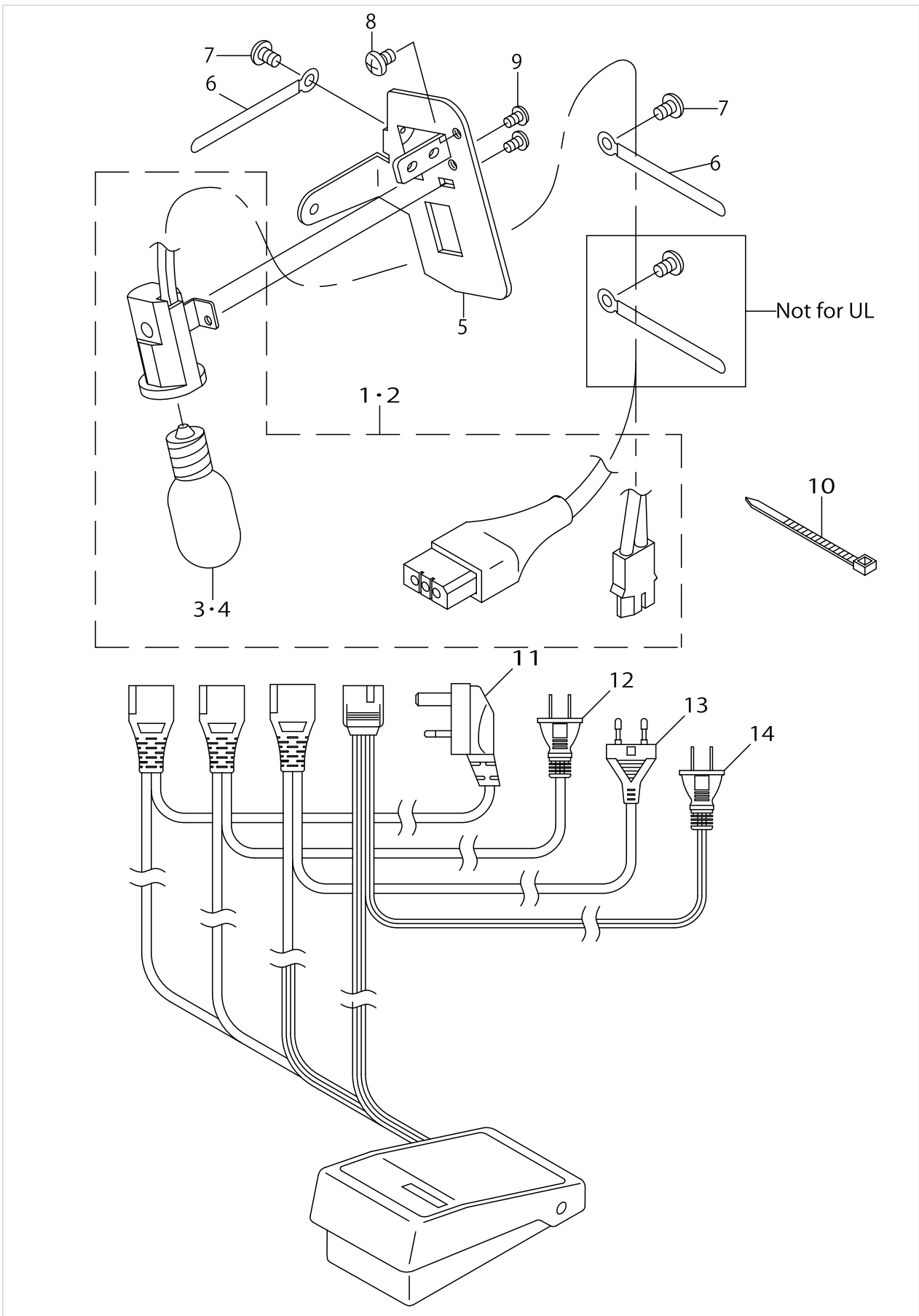


KNIFE DRIVE COMPONENTS

No.	Supply Code	Parts No.	Replacement	Parts name	Remarks	Choice	Step	Level	Cons	Qty	Rep. QTY
1		A41018000A0		UPPER KNIFE DRIVING ARM ASM.						1	
2		40072483		UPPER_KNIFE_DRIVING_ARM				*		1	
3		SM8040402TP		SCREW M4X0.7 L=4				*		1	
4		A4101503000C		UPPER KNIFE ROCKING ARM				*		1	
5		SM6051002TP		SCREW M5X0.8 L=10				*		1	
6		A41075020A0		KNIFE SPRING SUP- PORTINGPLATEASM.				*		1	
7		SM1030601SP		SCREW M3 L=6				*		1	
8		A4106535000		KNIFE PRESSER SPRING				*		1	
9		A4103535000		UPPER KNIFE HOLDER				*		1	
10		A4142335000		UPPER KNIFE HOLD- ER SHAFT ASM.				*		1	
11		SM9040803SD		BOLT M4X0.7 L=8				*		1	
12		A4105776000A		UPPER KNIFE TURNING KNOB				*		1	
13		SM8030402TP		SCREW M3X0.5 L=4				*		2	
14		A2112204000		SUB FEED ADJUSTING METAL						1	
15		WP0820516SP		WASHER 11.6X8.2X0.6						1	
16		A4108535000		UPPER KNIFE SHAFT						1	
17		RE0600000K0		E-RING 6						1	
18		A2561777000		BUSHING						1	
19		A412153500C		LOWER KNIFE HOLDER						1	
20		A4145335000		LOWER KNIFE						1	
21		A4123335000		LOWER KNIFE PRESSER PLATE						1	
22		SM4040655SP		SCREW M4 L=6						1	
23		A4139655000		LOWER KNIFE FOLDER						1	
24		SM4040655SP		SCREW M4 L=6						2	
25		A4125502000		LOWER KNIFE HOLDER SHAFT						1	
26		SM8040402TP		SCREW M4X0.7 L=4						1	
27		SM4030601SN		SCREW M3X6						1	
28		A4136335000		LOWER KNIFE HOLDER SPRING						1	
29		RE0500000K0		E-RING						1	
30		A4128535000		LOWER KNIFE ADJ.CAM						1	
31		40061998		LOWER KNIFE ADJ. SUPPORT						1	
32		A4140535000		L KNIFE ADJ CAM PRESSER SPRING						1	
33		SM4030455SP		SCREW						1	
34		A4132535000		LOWER KNIFE ADJUSTING BASE						1	
35		A4130654000A		LOWER KNIFE ADJ.KNOB						1	
36		ST5030851SN		SCREW M5X8						1	
37		SM4040655SN		SCREW M4X0.7 L=6						2	
38		A4147324000		CLOTH WASTE COVER STOPPER						1	
39		SM4030601SN		SCREW M3X6						1	
40		A4124335000		LOWER KNIFE SUP- PORTING PLATE						1	
41		SM4030655SP		SCREW						1	



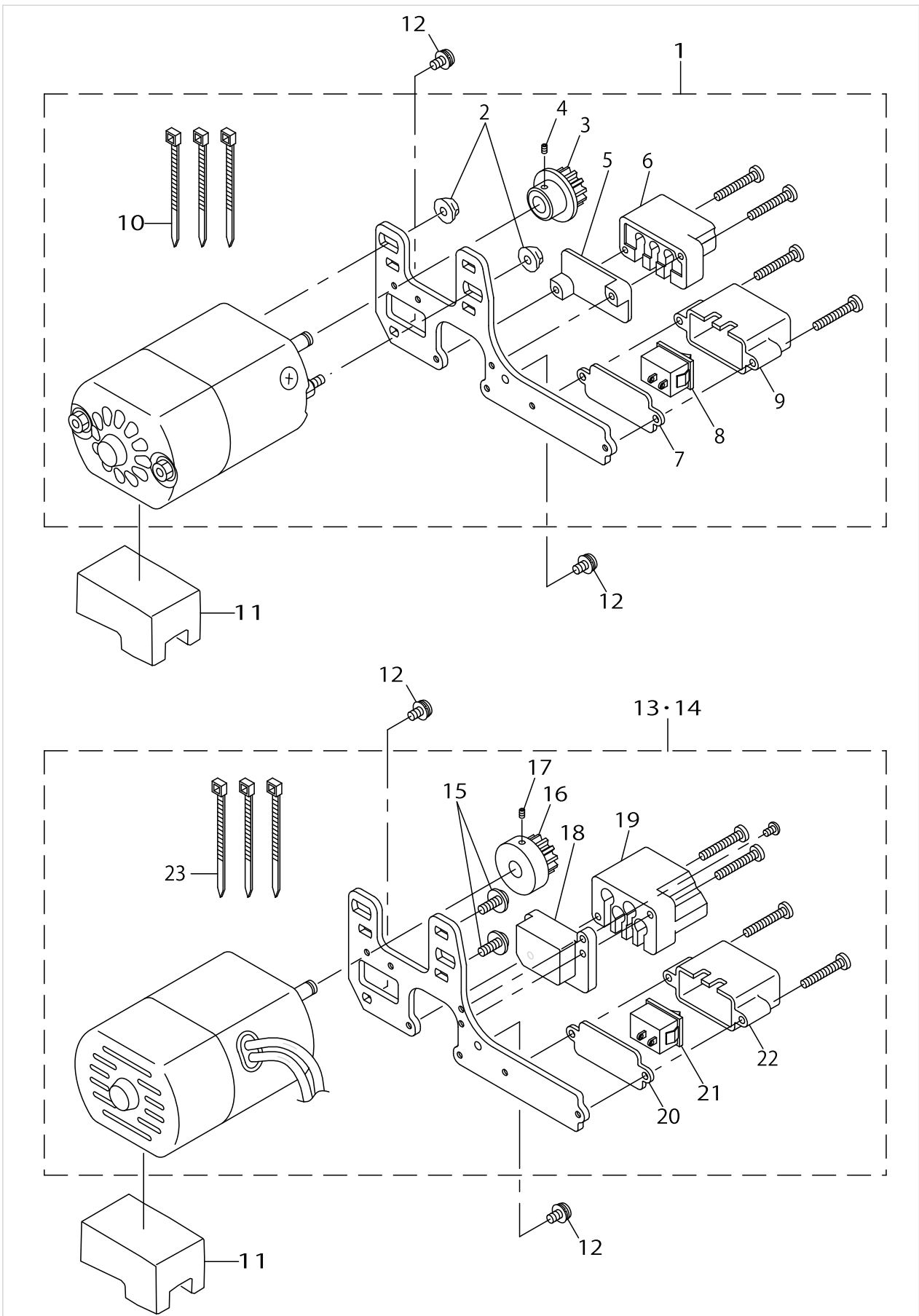
LAMP & FOOT CONTROLLER COMPONENTS



LAMP & FOOT CONTROLLER COMPONENTS

No.	Supply Code	Parts No.	Replacement	Parts name	Remarks	Choice	Step	Level	Cons	Qty	Rep. QTY
1		A60068000AAA		LAMP HOLDER ASM.	FOR UL					1	
2		A60068000ABB		LAMP HOLDER ASM.	FOR CE/BS/CH					1	
3		A6013800A00A		LAMP	FOR UL			*		1	
4		A6013800B00A		LAMP	FOR CE/BS/CH			*		1	
5		A6007634000		LAMP INSTALLING BASE						1	
6		A3811550000		CORD HOLDER						2	
7		SM4040655SN		SCREW M4X0.7 L=6						2	
8		SM4040655SN		SCREW M4X0.7 L=6						1	
9		SM5030555SC		SCREW						2	
10		EA9500B0200		CABLE BAND 150						1	
11		A640111000CB		CONTROLLER ASM.	FOR BS					1	
12		A640164D0AEA		CONTROLLER ASM.	FOR CH					1	
13		A64016440AAB		CONTROLLER ASM.	FOR CE					1	
14		A6401634DA0C		CONTROLLER ASM.	FOR UL					1	

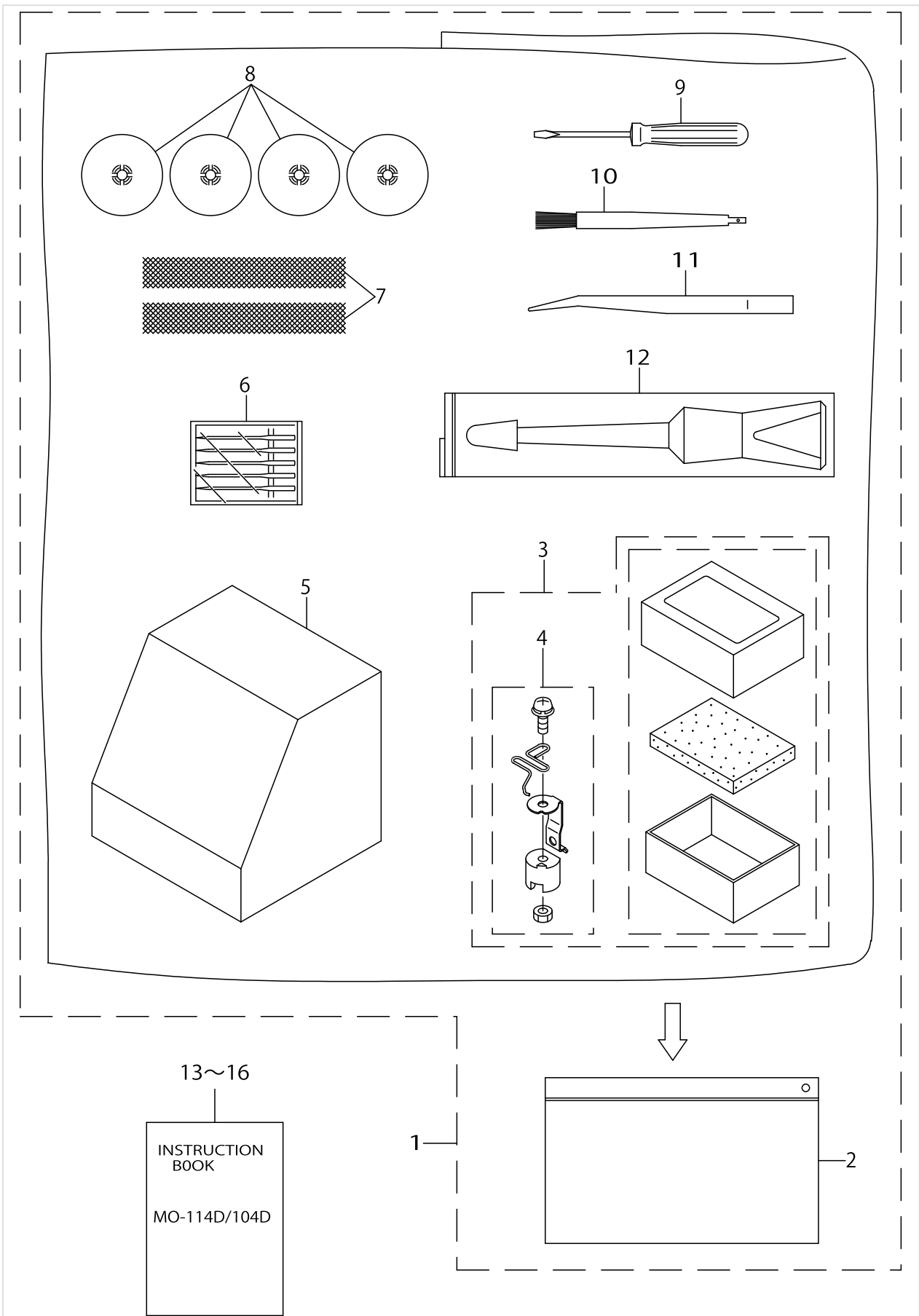
MOTOR COMPONENTS



MOTOR COMPONENTS

No.	Supply Code	Parts No.	Replacement	Parts name	Remarks	Choice	Step	Level	Cons	Qty	Rep. QTY
1		A63018000B0		MOTOR ASM.	FOR UL					1	
2		NM3040550SC		NUT				*		2	
3		A6010634000A		MOTOR PULLEY				*		1	
4		SM8040602TP		SCREW M4X0.7 L=6				*		1	
5		A6009535000		FITTING BASE				*		1	
6		A6001102U00A		TERMINAL NO.32-UC				*		1	
7		A6016524000		SWITCH COVER B				*		1	
8		A600364D000		POWER SWITCH				*		1	
9		A6015524000		SWITCH COVER A				*		1	
10		A407855000B		BAND				*		3	
11		A6003535000A		MOTOR PROTECTOR						1	
12		SL4040855SN		SCREW M4 L=8						2	
13		A63018000BBA		MOTOR_ASM.	FOR CE/BS					1	
14		40166050		MOTOR_ASM._CH	FOR CH					1	
15		A6004110000		SCREW				*		2	
16		A601063400A		MOTORPULLEY ASM.				*		1	
17		SM8040602TP		SCREW M4X0.7 L=6				*		1	
18		A6005110000		CONDENSER COVER				*		1	
19		A6001102G00		PRESSURE TERMINAL CONNECTOR				*		1	
20		A6016524000		SWITCH COVER B				*		1	
21		A600364D000		POWER SWITCH				*		1	
22		A6015524000		SWITCH COVER A				*		1	
23		A407855000B		BAND				*		1	

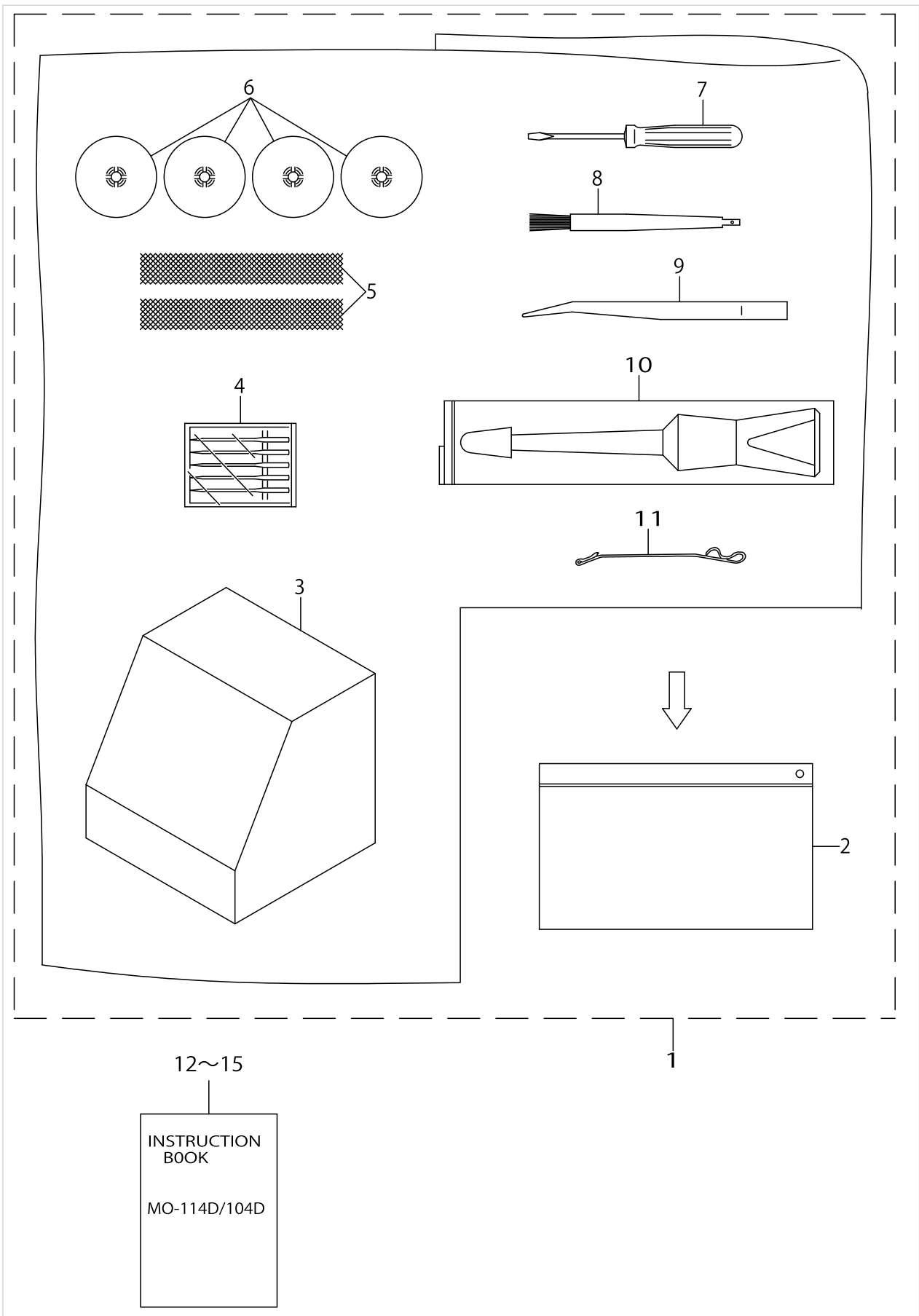
ACCESSORIES COMPONENTS (FOR MO-114D)



ACCESSORIES COMPONENTS (FOR MO-114D)

No.	Supply Code	Parts No.	Replacement	Parts name	Remarks	Choice	Step	Level	Cons	Qty	Rep. QTY
1		40166058		ACCESSORY_BAG_MO114D_ASM.						1	
2	R	B9101552000	22932800	ACCESSORY BOX				*		1	1.00
3		A91338000A0		2/3-THREAD CONV- ERTER MAS. ASM.				*		1	
4		A91307770A0		2/3THR.CONVERTER ASM.				*		1	
5		A9102800000		VINYL COVER				*		1	
6		40167415		NEEDLE_ASM.				*		1	
7		A9116335000		PLASTIC NET				*		2	
8		A9106776000B		THREAD SPOOL CAP				*		4	
9		A9110776000		SMALL SCREWDRIVER(-)				*		1	
10		40065952		NEEDLE_INSERTER_TOOL/BRUSH				*		1	
11		A9109202000		TWEEZERS				*		1	
12		A91041020A0		OILER WITH OIL ASM				*		1	
13		40166074		IM_MO114D_104D_EG.ES.FR	FOR UL					1	
14		40166075		IM_MO114D_104D_EG	FOR BS/CE					1	
15		40166076		IM_MO114D_104D_IT	CE					1	
16		40166077		IM_MO114D_104D_EG.CH	CH					1	

ACCESSORIES COMPONENTS (FOR MO-104D)



ACCESSORIES COMPONENTS (FOR MO-104D)

No.	Supply Code	Parts No.	Replacement	Parts name	Remarks	Choice	Step	Level	Cons	Qty	Rep. QTY
1		40166103		ACCESSORY_BAG_MO104D_ASM.						1	
2	R	B9101552000	22932800	ACCESSORY BOX				*		1	1.00
3		A9102800000		VINYL COVER				*		1	
4		40167415		NEEDLE_ASM				*		1	
5		A9116335000		PLASTIC NET				*		2	
6		A9106776000B		THREAD SPOOL CAP				*		4	
7		A9110776000		SMALL SCREWDRIVER(-)				*		1	
8		40065952		NEEDLE_INSERTER_TOOL/BRUSH				*		1	
9		A9109202000		TWEEZERS				*		1	
10		A91041020A0		OILER WITH OIL ASM				*		1	
11		A9110335000		LOOPER THREADER				*		1	
12		40166074		IM_MO114D_104D_EG.ES.FR	FOR UL					1	
13		40166075		IM_MO114D_104D_EG	FOR BS/CE					1	
14		40166076		IM_MO114D_104D_IT	CE					1	
15		40166077		IM_MO114D_104D_EG.CH	CH					1	



## HOW TO MAKE USE OF THIS PARTS LIST

- 1.As to "#01" and "#02" refer to the "Note" given at the bottom of the respective pages.
- 2.Codes on the "Qty" column
  - Each numeral indicates the number of parts required.
  - "0.1" and "2.5" indicate the length (in meters) of the respective parts.
- 3.Parentheses mean that the corresponding part is a subpart that constructs an assembly part.
- 4.Dotted lines on the Figures indicate assembly parts.

# NUMERICAL INDEX OF PARTS

PART NO	PAGE	REF NO.	PART NO	PAGE	REF NO.	PART NO	PAGE	REF NO.
40061961	22	1	A1136314DA0A	2	3	A15729DC000	8	34
40061998	30	31	A1138335000	2	7	A1573800000	10	5
40065952	36	10	A11408000A0	2	10	A15739DC0A0	8	32
40065952	38	8	A11408000A0	10	1	A15739DC0A0	10	7
40067886	22	35	A1145800000	2	8	A1574110000	10	2
40071772	6	2	A115114D0A0	2	19	A1574800000	10	6
40072483	30	2	A11538000A0	2	20	A1577110000	10	8
40079513	22	5	A1156644000	2	27	A1601800000	12	1
40082787	4	2	A1156654000A	2	17	A160264D000A	18	13
40143792	4	17	A1160634000	4	31	A1602800000	12	2
40166046	26	1·2	A11615350A0	4	28	A1610655000	12	5
40166050	34	13·14	A1164535000	2	15	A1611655000	12	3
40166058	36	1	A1190800000	28	49·50	A1612535000	14	76
40166074	36	13~16	A119080L000	28	49·50	A1613535000	14	78
40166074	38	12~15	A1202113000	6	6	A1613655000	12	9
40166075	36	13~16	A1205634000	6	9	A1614534D00	12	27
40166075	38	12~15	A1206102000	6	5	A1616030Z00	12	34
40166076	36	13~16	A1206202000	6	4	A1616534D00	14	64
40166076	38	12~15	A1206335000	6	1	A1616535000	18	38
40166077	36	13~16	A1206535000	6	7	A1616880000	18	3
40166077	38	12~15	A1208700000	10	10	A16168800A0	18	46
40166097	2	26	A1230500000A	6	8	A1617534000A	18	40
40166100	26	1·2	A1401535000A	8	7	A1617534D00A	14	72
40166103	38	1	A1402535000	8	5	A1618534D00	14	74
40167415	36	6	A1403102000	8	17	A1618534D0A	14	75
40167415	38	4	A1403335000A	8	6	A16196550A0	12	11
40167418	4	12·13	A1404535000	8	1	A1620335000	18	31
40167421	4	10·11	A14065340A0	8	21	A1620534DA0	12	26
A11021130A0	2	24	A1407102000	8	20	A1622535000	18	26
A1104644000B	4	26	A1409534000	8	22	A16235350A0	18	29
A1104644A00A	4	33	A1411335000	8	14	A1625800000	14	50
A110464D000B	4	27	A1412534000	8	18	A1626535000A	18	25
A110614D000	4	12·13	A1412535000	8	13	A1627634D00	14	52
A110614D0A0	4	10·11	A14145020A0	8	3	A1628535000A	18	33
A11151100A0	2	2	A1416777000	8	24	A1630534D00	12	13
A11151100B0A	2	1	A1501535000	8	26	A1630535000	14	71
A1118776000B	4	8	A15018000A0	8	40	A1631535000	18	22
A1120202000	4	7	A15018000C0A	8	39	A1633534D00	12	19
A11207760A0B	4	1	A1502535000	8	27	A1634535000	18	18
A11211100A0	4	5	A1503634000	8	25	A1634655000A	12	16
A1121776000	4	6	A15049DC0A0A	8	31	A1635534D00	12	20
A1129776000B	4	3	A15069DC000A	8	37	A1635535000	18	43
A1131203000	2	4	A1507535000	8	29	A1636535000A	18	17
A1132334000	2	5	A15148000B0A	8	41	A163752D000	18	20
A1135535000	2	12	A15699DC000	8	33	A1637534DA0	12	61

# NUMERICAL INDEX OF PARTS

PART NO	PAGE	REF NO.	PART NO	PAGE	REF NO.	PART NO	PAGE	REF NO.
A1637534DA0	14	61	A25206540A0	22	43	A3211800000	26	44
A1637535000	18	42	A2521534000	22	9	A32158000A0	26	42
A1638776000	14	63	A25227760A0	22	12	A3220800000	26	26
A1638776000	18	7	A252633500A	22	38	A3303800000	4	14
A1639534D00	14	67	A252633500S	22	29	A3811550000	32	6
A1639800000	14	55	A2529335000	14	84	A3900634000	26	21
A1640534D00	14	65	A2529335000	22	19	A3902634000	26	22~24
A1641534D00	16	92	A25308000A0	22	16	A3903634000	26	22~24
A1645534D00	14	86	A253133500S	24	49	A3906634000	26	22~24
A1646534D00	14	87	A2531534000A	22	21	A3910634000B	26	19
A1647534D00	14	89	A253233500S	24	48	A407855000B	34	23
A1648535000	14	57	A253333500S	22	42	A4101503000C	30	4
A1648800000	14	59	A25346540B0A	24	47	A41018000A0	30	1
A1650534000	18	37	A2536800000A	22	36	A4103535000	30	9
A1650534D00	14	85	A253733500SA	22	40	A4105776000A	30	12
A165152D000	18	5	A253933500S	22	45	A4106535000	30	8
A1651534DA0	14	80	A2561777000	22	22	A41075020A0	30	6
A1651535000	18	39	A2561777000	30	18	A4108535000	30	16
A1652535000	18	35	A310170D000A	26	3·4	A412153500C	30	19
A1653776000	12	42	A3101800000A	26	3·4	A4123335000	30	21
A1654776000A	14	47	A3105800000	26	9	A4124335000	30	40
A1655534D00	12	28	A3106800000	26	7	A4125502000	30	25
A1657534DA0	12	43	A3107776000A	4	18	A4128535000	30	30
A1660534D00A	12	33	A3107800000	26	8	A4130654000A	30	35
A1660800000	12	41	A31158000A0	26	14	A4132535000	30	34
A16618000A0	12	38	A3119110000	26	10	A4136335000	30	28
A1662655000A	12	31	A3121800000	4	24·25	A4139655000	30	23
A1663534D00	14	48	A3121800A00	4	24·25	A4140535000	30	32
A1664534D00	12	36	A3122776000	26	35	A4142335000	30	10
A1665534D00	14	82	A3122800000	26	34	A4145335000	30	20
A167052D000	18	23	A3126800000	26	20	A4147324000	30	38
A167352D000	18	16	A3134800000	26	25	A6001102G00	34	19
A167452D000	18	1	A31488000A0	26	17	A6001102U00A	34	6
A167552D0A0	18	11	A31488000B0	26	16	A6003535000A	34	11
A167652D000	18	12	A3150335000	26	13	A600364D000	34	21
A2112204000	30	14	A3158634000	26	5	A6004110000	34	15
A2501534000A	22	3	A3171800000	4	15	A6005110000	34	18
A2510334000	22	13	A3176776000	4	16	A60068000AAA	32	1·2
A2512776000	22	18	A3176776000	26	37	A60068000ABB	32	1·2
A251453400C	22	7	A3181324000	26	12	A6007634000	32	5
A25178000A0	22	25	A3185113000	4	20	A6009535000	34	5
A251780L0A0	22	34	A32018000A0	26	28	A6010634000A	34	3
A25195340A0	22	23	A3206800000	26	31	A601063400A	34	16
A25196340A0	24	51	A3208800000	26	30	A6013800A00A	32	3·4
A25205340A0	22	32	A3210800000	26	32	A6013800B00A	32	3·4

# NUMERICAL INDEX OF PARTS

PART NO	PAGE	REF NO.	PART NO	PAGE	REF NO.	PART NO	PAGE	REF NO.
A6015524000	34	22	RE0500000K0	10	3	SM6051002TP	30	5
A6016524000	34	20	RE0500000K0	12	91	SM8030302TP	14	56
A6018800000	4	21	RE0500000K0	14	91	SM8030302TP	18	45
A63018000B0	34	1	RE0500000K0	18	28	SM8030402TP	14	81
A63018000BBA	34	13-14	RE0500000K0	30	29	SM8030402TP	30	13
A640111000CB	32	11	RE0600000K0	8	12	SM8040302TP	18	30
A6401634DA0C	32	14	RE0600000K0	22	11	SM8040402TP	8	10
A64016440AAB	32	13	RE0600000K0	30	17	SM8040402TP	14	90
A640164D0AEA	32	12	RE0900000K0	14	69	SM8040402TP	18	32
A9102800000	36	5	RE0900000K0	20	47	SM8040402TP	22	17
A9102800000	38	3	SL4040855SN	4	30	SM8040402TP	30	26
A91041020A0	36	12	SL4040855SN	34	12	SM8040602TP	14	73
A91041020A0	38	10	SL5030631SF	4	23	SM8040602TP	18	41
A9106776000B	36	8	SL5030831SF	4	22	SM8040602TP	22	41
A9106776000B	38	6	SL5030831SF	28	48	SM8040602TP	34	17
A9109202000	36	11	SL5031031SN	26	15	SM8050402TP	8	28
A9109202000	38	9	SL5040835SN	28	47	SM8050602TP	2	11
A9110335000	38	11	SM1030601SP	30	7	SM8050602TP	22	8
A9110776000	36	9	SM4020351SC	2	6	SM8050612TP	8	8
A9110776000	38	7	SM4030455SN	8	23	SM8060602TP	8	16
A9116335000	36	7	SM4030455SP	30	33	SM9040700SP	14	58
A9116335000	38	5	SM4030601SN	30	39	SM9040803SD	30	11
A91307770A0	36	4	SM4030655SP	12	60	SM9050850SP	22	14
A91338000A0	36	3	SM4030655SP	14	60	ST4861051SN	18	34
A9196524000	2	23	SM4030655SP	30	41	ST5030651SN	4	19
B9101552000	36	2	SM4040655SN	8	36	ST5030851SN	26	43
B9101552000	38	2	SM4040655SN	12	79	ST5030851SN	30	36
EA9500B0200	32	10	SM4040655SN	14	79	ST5041051SN	2	21
NM3040550SC	34	2	SM4040655SN	22	33	ST5041051SN	4	32
PS0200122KP	26	18	SM4040655SN	30	37	WP0320501SC	24	50
PS0400222KP	6	3	SM4040655SN	32	8	WP0410516RZ	12	12
RE0120000K0	26	38	SM4040655SP	30	24	WP0430801SC	12	70
RE0200000K0	24	46	SM4040855SN	2	18	WP0430801SC	14	70
RE0200000K0	26	36	SM5030555SC	32	9	WP0450816SC	12	22
RE0300000K0	10	9	SM5030655SN	12	44	WP0531001SC	18	14
RE0300000K0	12	83	SM5030655SN	22	44	WP0531001SC	26	45
RE0300000K0	14	83	SM5030655SN	26	27	WP0531001SC	28	45
RE0300000K0	18	44	SM5030855SN	12	39	WP0820516SP	8	11
RE0300000K0	26	33	SM5031001SE	12	35	WP0820516SP	22	10
RE0400000K0	8	35	SM5040655SN	18	10	WP0820516SP	30	15
RE0400000K0	12	68	SM5040855SN	2	22	WZ0430200KP	18	36
RE0400000K0	14	68	SM5040855SN	8	30	WZ0540200KH	18	15
RE0400000K0	26	46	SM5041055SN	12	23			
RE0400000K0	28	46	SM5051255SN	2	25			
RE0500000K0	8	38	SM5051255SN	4	4			