

MITSUBISHI RF POWER TRANSISTOR

2SC2166

NPN EPITAXIAL PLANAR TYPE

DESCRIPTION

2SC2166 is a silicon NPN epitaxial planar type transistor designed for RF power amplifiers in HF band mobile radio applications.

FEATURES

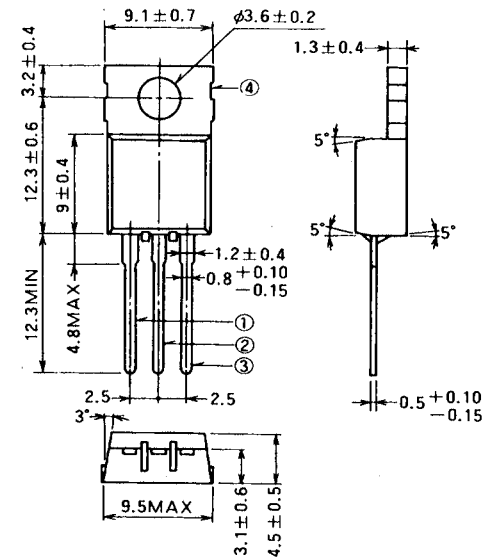
- High power gain: $G_{pe} \geq 13.8\text{dB}$
@ $V_{CC} = 12\text{V}$, $P_o = 6\text{W}$, $f = 27\text{MHz}$
- Emitter ballasted construction for high reliability and good performances.
- TO-220 similar package is combinient for mounting.
- Equivalent input/output series impedance:
 $Z_{in} = 4.7 - j5.7 \Omega$ @ $P_o = 7\text{W}$, $V_{CC} = 12\text{V}$, $f = 27\text{MHz}$
 $Z_{out} = 10 - j8.5 \Omega$

APPLICATION

3 to 4 watts output power amplifiers in HF band mobile radio applications.

OUTLINE DRAWING

Dimensions in mm



- PIN :
- ① BASE
 - ② COLLECTOR (FIN)
 - ③ EMITTER
 - ④ FIN (COLLECTOR)

T-30

ABSOLUTE MAXIMUM RATINGS ($T_C = 25^\circ\text{C}$ unless otherwise specified)

Symbol	Parameter	Conditions	Ratings	Unit
V_{CBO}	Collector to base voltage		75	V
V_{EBO}	Emitter to base voltage		5	V
V_{CER}	Collector to emitter voltage	$R_{BE} = 10 \Omega$	75	V
I_C	Collector current		4	A
P_C	Collector dissipation	$T_a = 25^\circ\text{C}$	1.5	W
		$T_C = 25^\circ\text{C}$	12.5	W
T_j	Junction temperature		150	$^\circ\text{C}$
T_{stg}	Storage temperature		-55 to 150	$^\circ\text{C}$
R_{th-a}	Thermal resistance	Junction to ambient	83	$^\circ\text{C/W}$
R_{th-c}		Junction to case	10	$^\circ\text{C/W}$

Note. Above parameters are guaranteed independently.

ELECTRICAL CHARACTERISTICS ($T_C = 25^\circ\text{C}$ unless otherwise specified)

Symbol	Parameter	Test conditions	Limits			Unit
			Min	Typ	Max	
$V_{(BR)EBO}$	Emitter to base breakdown voltage	$I_E = 1\text{mA}$, $I_C = 0$	5			V
$V_{(BR)CBO}$	Collector to base breakdown voltage	$I_C = 1\text{mA}$, $I_E = 0$	75			V
$V_{(BR)CER}$	Collector to emitter breakdown voltage	$I_C = 10\text{mA}$, $R_{BE} = 10 \Omega$	75			V
I_{CBO}	Collector cutoff current	$V_{CB} = 30\text{V}$, $I_E = 0$			100	μA
I_{EBO}	Emitter cutoff current	$V_{EB} = 3\text{V}$, $I_C = 0$			100	μA
h_{FE}	DC forward current gain *	$V_{CE} = 10\text{V}$, $I_C = 0.1\text{A}$	35	70	180	—
P_o	Output power	$V_{CC} = 12\text{V}$, $P_{in} = 0.25\text{W}$, $f = 27\text{MHz}$	6	7.5		W
η_C	Collector efficiency		55	60		%

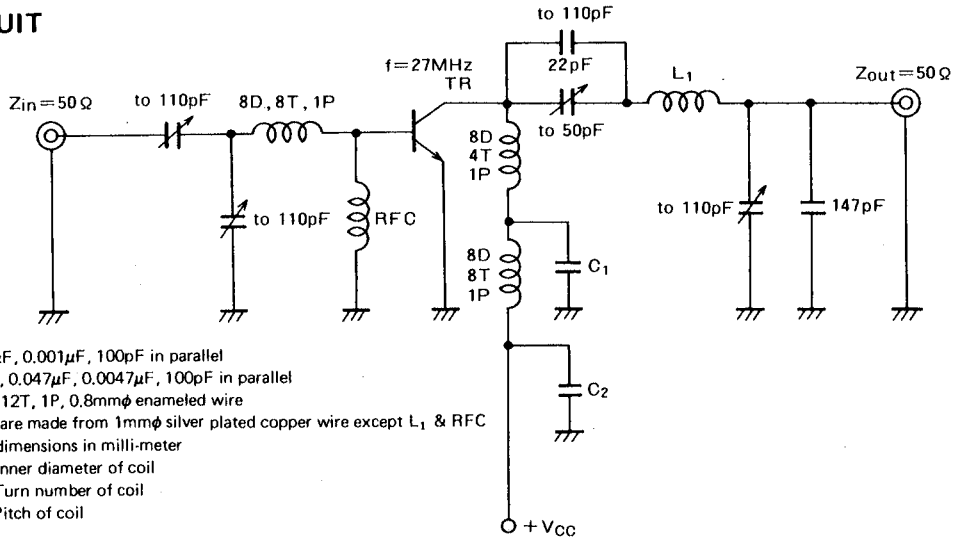
Note. * Pulse test, $P_W = 150\mu\text{s}$, duty = 5%.

Above parameters, ratings, limits and conditions are subject to change.

MITSUBISHI RF POWER TRANSISTOR 2SC2166

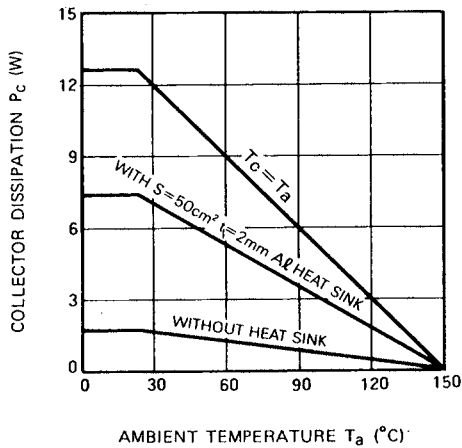
NPN EPITAXIAL PLANAR TYPE

TEST CIRCUIT

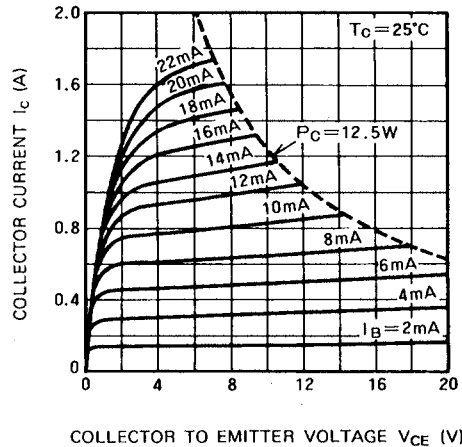


TYPICAL PERFORMANCE DATA

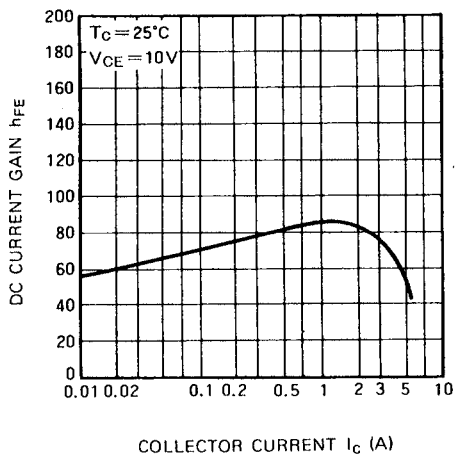
COLLECTOR DISSIPATION VS. AMBIENT TEMPERATURE



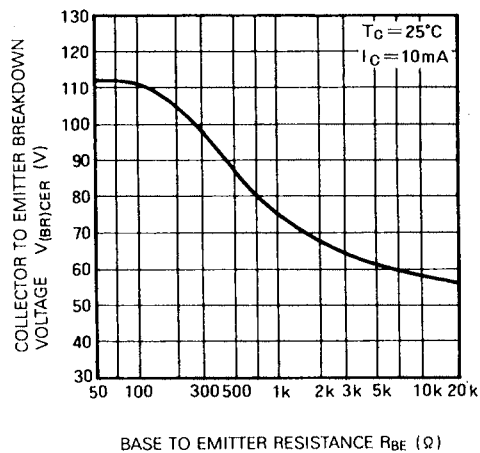
COLLECTOR CURRENT VS. COLLECTOR TO EMITTER VOLTAGE



DC CURRENT GAIN VS. COLLECTOR CURRENT



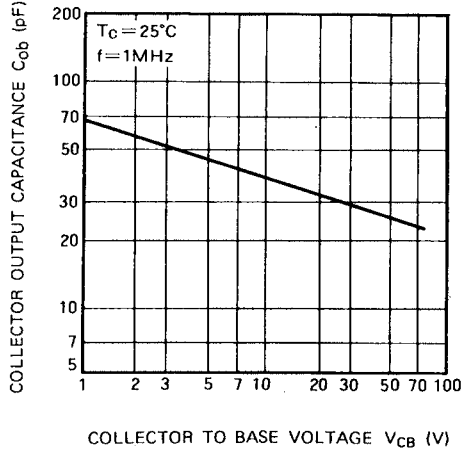
COLLECTOR TO EMITTER BREAKDOWN VOLTAGE VS. BASE TO EMITTER RESISTANCE



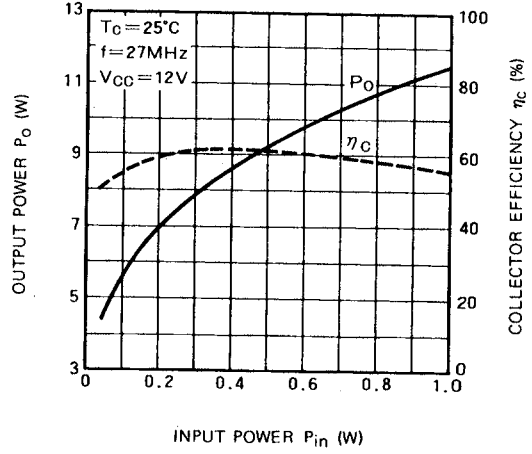
MITSUBISHI RF POWER TRANSISTOR
2SC2166

NPN EPITAXIAL PLANAR TYPE

COLLECTOR OUTPUT CAPACITANCE VS. COLLECTOR TO BASE VOLTAGE



OUTPUT POWER, COLLECTOR EFFICIENCY VS. INPUT POWER



OUTPUT POWER VS. COLLECTOR SUPPLY VOLTAGE

