

MODEL : AMS-224EN4530R

List No : 1693-00

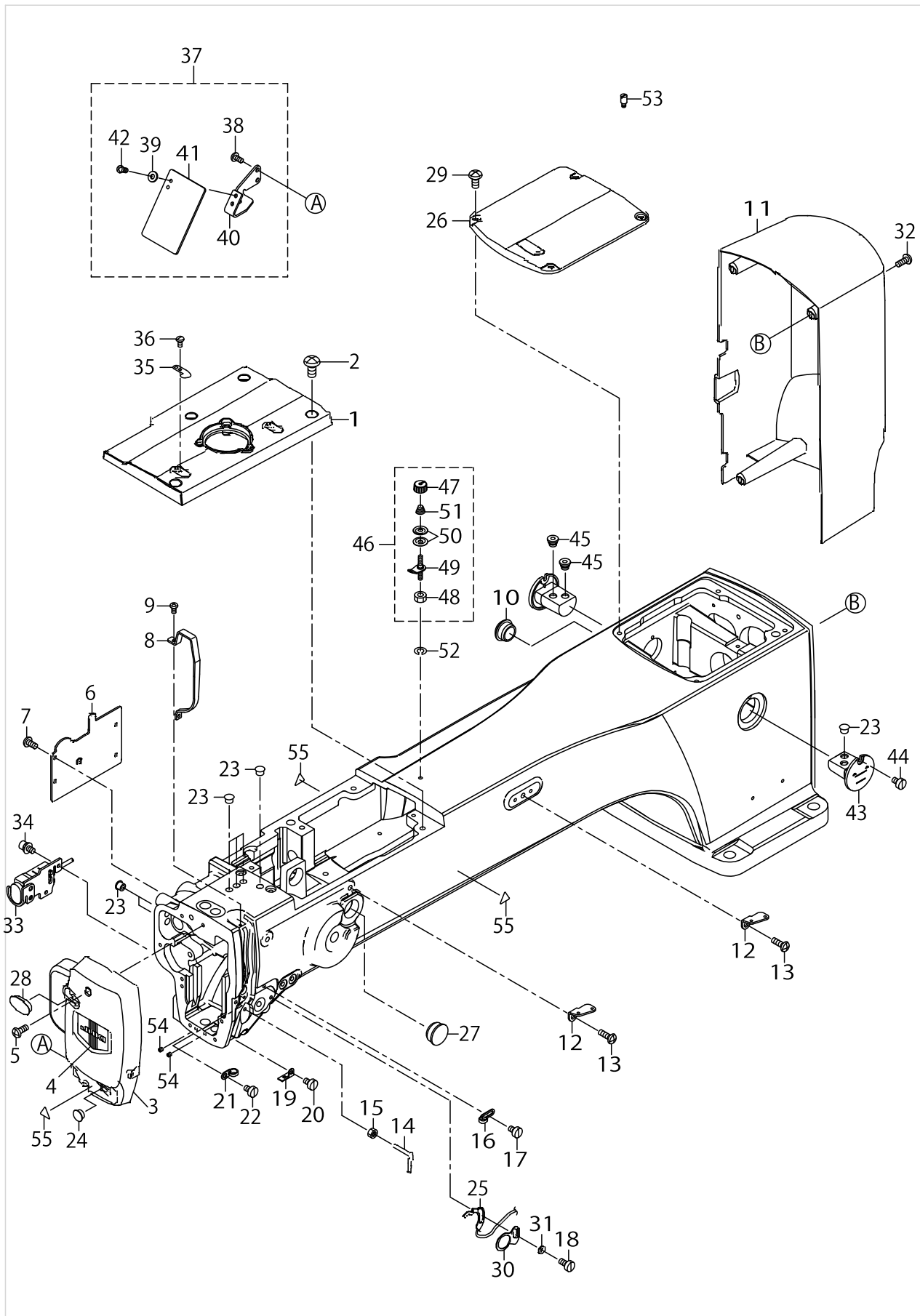
PARTS LIST

Published:05/12/2017

CONTENTS

FRAME & MISCELLANEOUS COVER COMPONENTS (1)	1
FRAME & MISCELLANEOUS COVER COMPONENTS (2)	5
FRAME & MISCELLANEOUS COVER COMPONENTS (3)	7
MAIN SHAFT & NEEDLE BAR COMPONENTS	13
PRESSER MECHANISM & PRESSER VARIABLE COMPONENTS (1)	17
PRESSER MECHANISM & PRESSER VARIABLE COMPONENTS (2)	21
LOWER SHAFT COMPONENTS (1)	25
LOWER SHAFT COMPONENTS (2)	27
WIPER MECHANISM COMPONENTS	31
TENSION RELEASE & THREAD TENSION COMPONENTS	33
THREAD TRIMMER MECHANISM COMPONENTS	37
X-Y COMPONENTS (1)	41
X-Y COMPONENTS (2)	47
CLOTH FEED MECHANISM COMPONENTS	49
PNEUMATIC COMPONENTS	53
THREAD STAND COMPONENTS	55
OPERATION PANEL COMPONENTS	57
CONTROL BOX COMPONENTS	61
WIRING DIAGRAM	65
TABLE COMPONENTS	69
PEDAL COMPONENTS	71
ACCESSORIE PARTS COMPONENTS	73
SEPARATE STROKE TYPE EXCLUSIVE PARTS	75
HOW TO MAKE USE OF THIS PARTS LIST	77

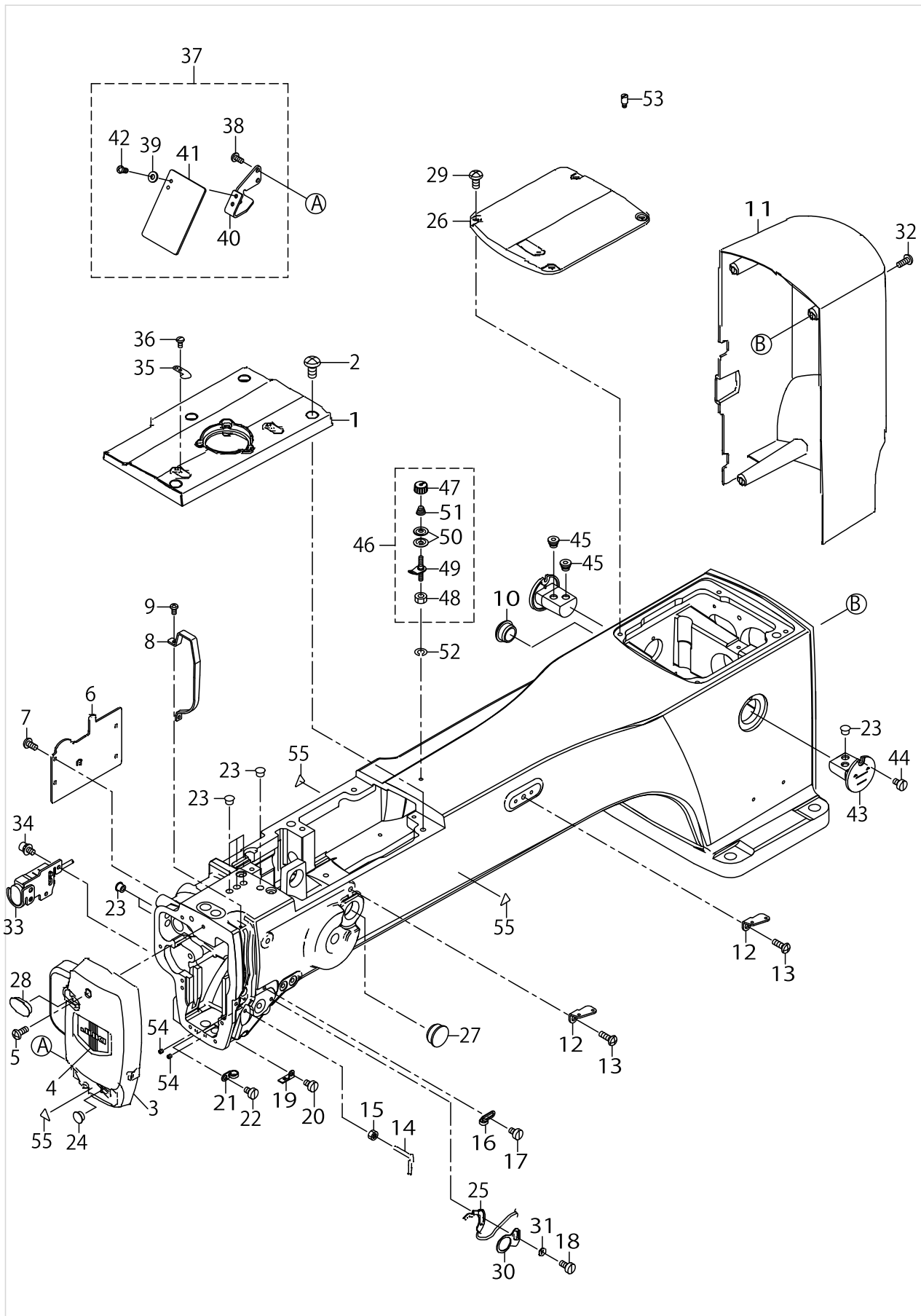
FRAME & MISCELLANEOUS COVER COMPONENTS (1)



FRAME & MISCELLANEOUS COVER COMPONENTS (1)

No.	Supply Code	Parts No.	Replacement	Parts name	Remarks	Choice	Step	Level	Cons	Qty	Rep. QTY
1		40032158		TOP_COVER_FRONT						1	
2		SM4061255SP		SCREW M6 L=12						4	
3		40026979		FACE_COVER						1	
4		22902506		FACE PLATE						1	
5		SM4041055SP		SCREW						2	
6		40024999		PRESSER_COVER						1	
7		SM4040855SP		SCREW						4	
8		40030828		THREAD_TAKE_UP_LEVER_COVER						1	
9		SM4030601SN		SCREW M3X6						2	
10		TA2100904R0		RUBBER PLUG						1	
11		40027971		MOTOR_COVER						1	
12		26211904		THREAD GUIDE PLATE						2	
13		SM4061255SP		SCREW M6 L=12						2	
14		40025414		L_SHAPED_THREAD_GUIDE						1	
15		NM6040000SN		NUT M4						1	
16		22920508		ARMTHREADGUIDEA						1	
17		SM6040650TP		SCREW						1	
18		SM6040860TP		SCREW M4 L=8						1	
19		B1129210000		FRAME THREAD GUIDE (B)						1	
20		SM6040650TP		SCREW						1	
21		13705108		TAKE-UP THREAD GUIDE B						1	
22		SM6040650TP		SCREW						1	
23		TA0850604R0		RUBBER PLUG						7	
24		TA1050504R0		RUBBER PLUG						1	
25		40073678		THB SENSOR CABLE ASM.						1	
26		40032159		TOP_COVER_REAR						1	
27		TA2351004R0		RUBBER PLUG						1	
28		40028877		FACE_COVER_CAP						1	
29		SM4051055SP		SCREW						4	
30		40028834		GUIDE_PLATE						1	
31		40028835		BUSHING						1	
32		SM4041055SP		SCREW						4	
33		40073676		STOP SW ASM						1	
34		SL6040892TN		BOLT						2	
35		10502300		THREAD CUTTER						1	
36		SM4030601SN		SCREW M3X6						1	
37		40006484		SAFETY PLATE COMPL.						1	
38		SM4040855SP		SCREW				*		2	
39		WP0450801SD		WASHER 4.5X10X0.8				*		2	
40		40051987		SAFETY PLATE BASE				*		1	
41	R	B3120372000	26037200	SAFETY PLATE				*		1	1.00
42		SM4040655SP		SCREW M4 L=6				*		2	
43		40006836		OIL TANK ASM.						2	
44		SM6040650TP		SCREW						2	
45		40006840		RUBBER BUSH						2	
46		14113468		BOBBIN THREAD TENSION ASM.						1	

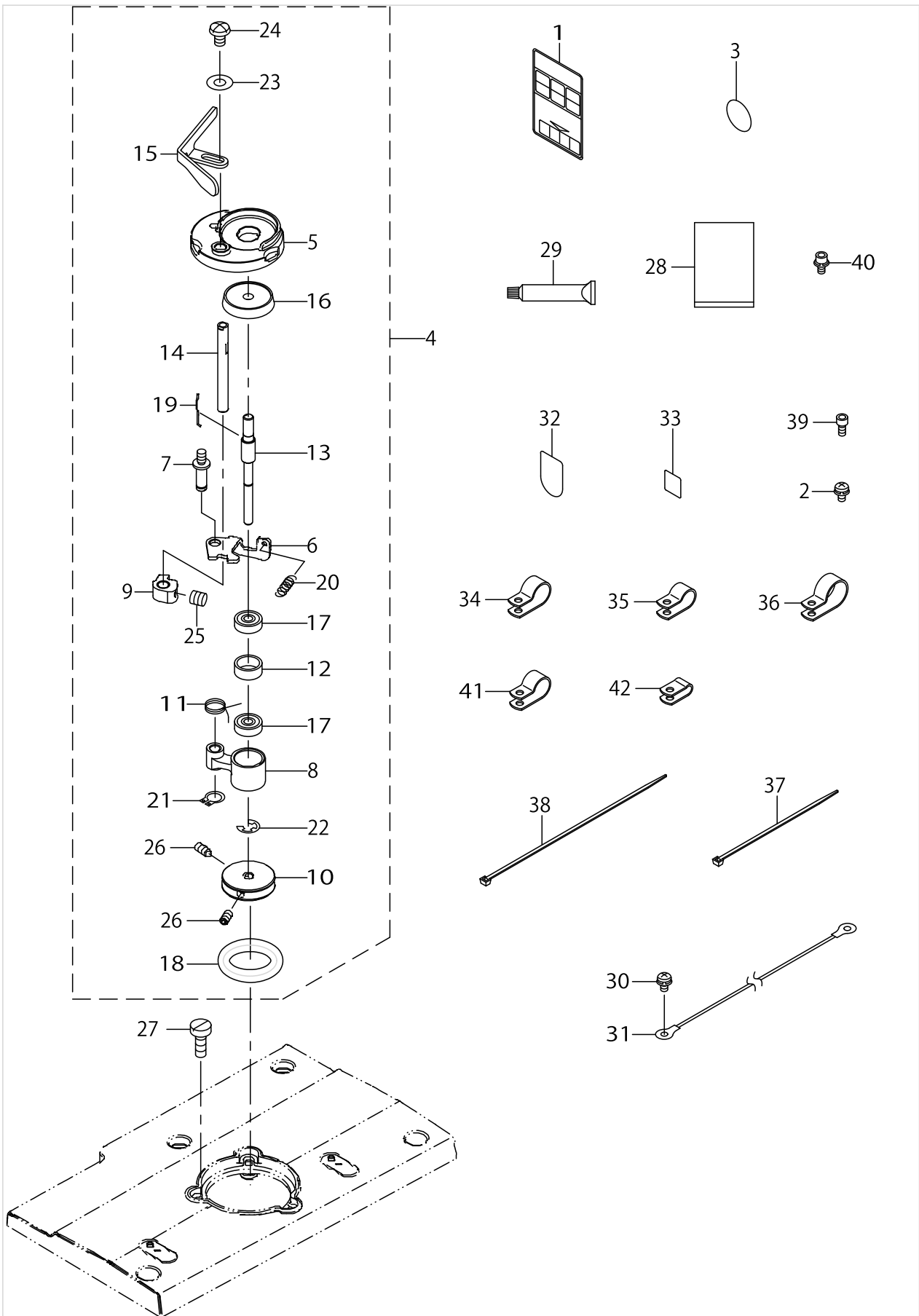
FRAME & MISCELLANEOUS COVER COMPONENTS (1)



FRAME & MISCELLANEOUS COVER COMPONENTS (1)

No.	Supply Code	Parts No.	Replacement	Parts name	Remarks	Choice	Step	Level	Cons	Qty	Rep. QTY
47		11072402		THREAD TENSION NUT				*		1	
48		NS6110310SP		NUT 11/64-40				*		1	
49		14113450		BOBBIN THREAD T- ENSION ROD ASM.				*		1	
50	R	B3126012000	22921506	THREAD TENSION DISK				*		2	1.00
51		D7133555B00		CONNECTING ROD SPRING				*		1	
52		WS0451040KP		SPRING WASHER 4.5X8.5X1						1	
53		B1114280000		PIN						1	
54		SM8040412TP		SET SCREW M4 L=4						2	
55		CM300200001		ATTENTION SEAL						3	

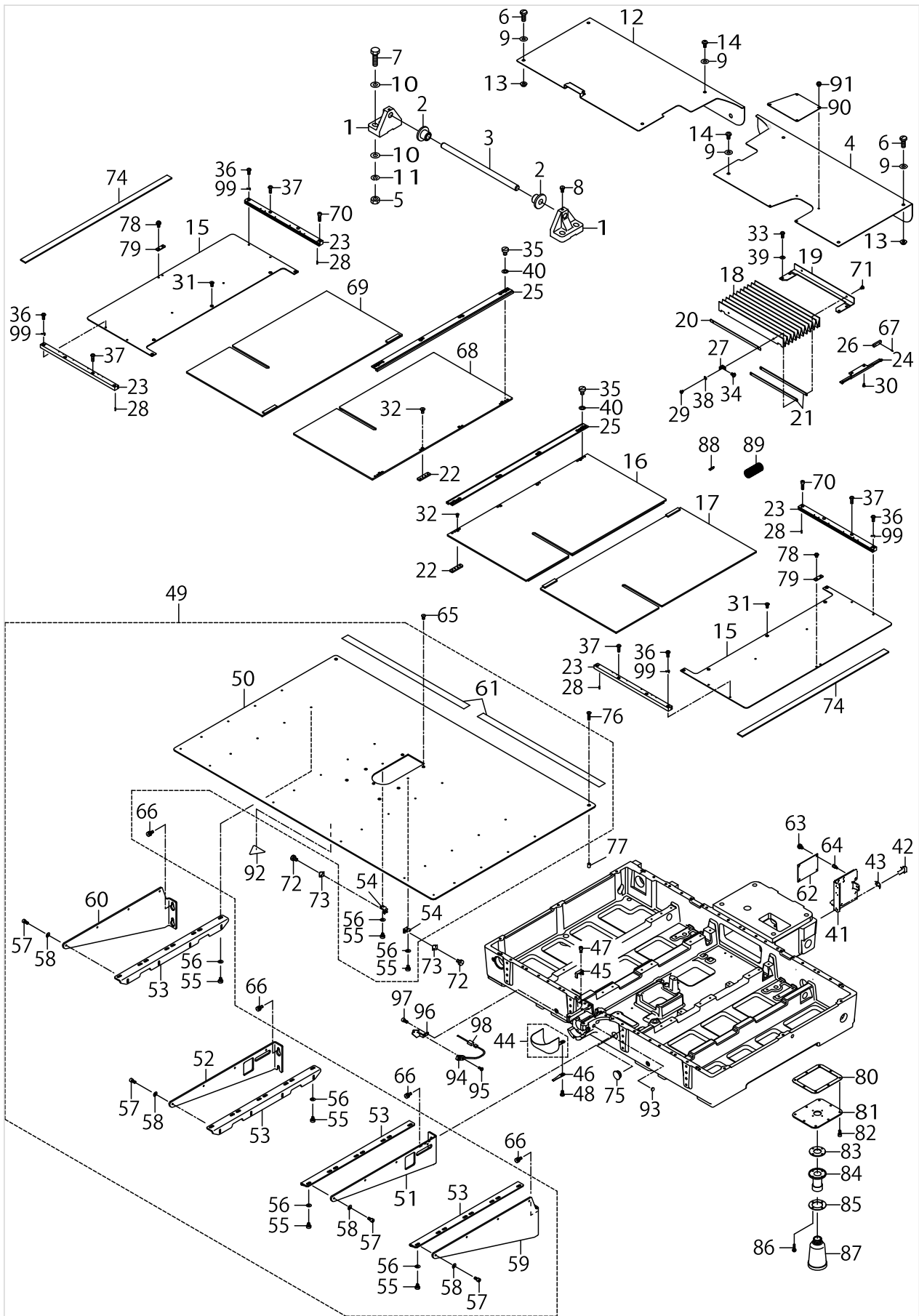
FRAME & MISCELLANEOUS COVER COMPONENTS (2)



FRAME & MISCELLANEOUS COVER COMPONENTS (2)

No.	Supply Code	Parts No.	Replacement	Parts name	Remarks	Choice	Step	Level	Cons	Qty	Rep. QTY
1		CM301200001		SAFETY LABEL_S						2	
2		SL4040891SC		SCREW M4 L=8						12	
3		22901805		GROUND MARK						1	
4		40173311		BOBBIN_WINDER_UNIT_R						1	
5	R	26260109	26260000	BTW_BASE				*		1	1.00
6		26260208		BTW_CAM_PLATE				*		1	
7		26260307		BTW_BASE_SHAFT				*		1	
8		26260406		BTW_SHAFT_BASE				*		1	
9		26260505		BTW_CAM_LEVER				*		1	
10		26260604		BTW_WHEEL				*		1	
11		26260703		BTW_TORSION_SPRING				*		1	
12	R	26260802	26260000	BTW_BEARING_SPACER				*		1	1.00
13		40173312		BTW_SHAFT_A				*		1	
14	D	40023866		BTW_LEVER_SHAFT				*		1	
15		40173314		BTW_LEVER				*		1	
16		26261206		BTW_SPACER				*		1	
17	R	26261305	26260000	BTW_BEARING				*		2	1.00
18		26261503		BTW_WHEEL_RUBBER				*	☆	1	
19		26261602		BOBBIN_SPRING				*	☆	1	
20		26261701		BTW_SPRING				*		1	
21		RC0560711KP		RETAINING RING				*		1	
22		RE0400000K0		E-RING 4				*		1	
23		WP0450826SC		WASHER 4.5X10X0.8				*		1	
24		SM5040655SN		SCREW				*		1	
25		SM8050502TP		SCREW M5 L=5				*		1	
26		SM8040802TP		SCREW M4X8				*		2	
27		SM6041150TP		SCREW						3	
28		40031336		FLAT_BAG						1	
29		40013640		JUKI_GREASE_B_TUBE					☆	1	
30		SL4040891SC		SCREW M4 L=8						1	
31		14115554		HEAD GROUND CABLE A ASM.						1	
32		CM100100001		OIL INJECTION PROHIBITION LABEL						1	
33		CM600100101		WEEE MARK LABEL S	FOR JE					1	
34		HX00150000F		CABLE CLIP						4	
35		HX00150000D		CABLE CLIP						8	
36		HX00150000H		CABLE CLIP						3	
37		EA9500B0100		CABLE BAND						5	
38		EA9500B0200		CABLE BAND 150						5	
39		SM6040802TP		SCREW M4X0.7 L=8						5	
40		SL6040892TN		BOLT						3	
41		HX00150000E		CORD PRESSER 3--POLE (220/240V)						2	
42		HX00150000A		CABLE CLAMP						1	

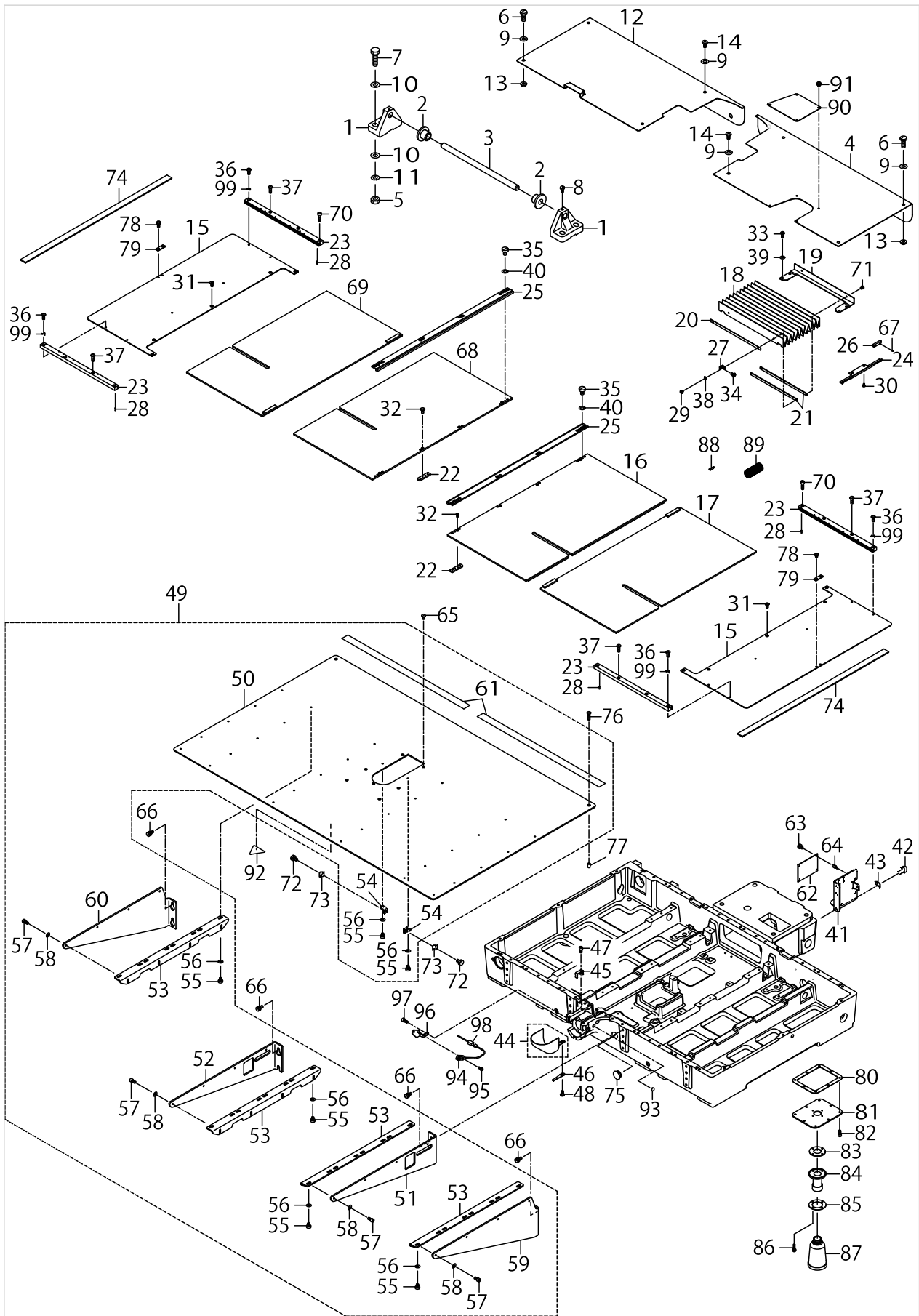
FRAME & MISCELLANEOUS COVER COMPONENTS (3)



FRAME & MISCELLANEOUS COVER COMPONENTS (3)

No.	Supply Code	Parts No.	Replacement	Parts name	Remarks	Choice	Step	Level	Cons	Qty	Rep. QTY
1		B1111220000A		BED HINGE						2	
2		B1115220000		RUBBER PAD A						2	
3		B1120223C00		HING SHAFT						1	
4		40090785		BED COVER RIGHT A						1	
5		NM6120011SF		NUT M12						4	
6		SM4055001SF		SCREW M5 L=50						4	
7		SM9124503SB		SCREW M12 L=45						4	
8		SS9151240SN		SCREW 15/64-28 L=11.5						2	
9		WP0561616SC		WASHER 5.6X16X1.6						8	
10		WP1302501SE		WASHER M12						8	
11		WS1253010KN		SPRING WASHER 12.5X21.5X3						4	
12		40072074		BED COVER LEFT						1	
13		NM3050610SF		NUT						4	
14		SM4051001SN		SCREW M5						4	
15		40072076		FEED BASE COVER 4530						2	
16		40072191		X_FEED_UPPER_CO- VER_R_ASM_4530						2	
17		40072184		X_FEED_LOWER_CO- VER_R_ASM_4530						2	
18		40072174		FEED COVER						1	
19		40072081		FEED COVER STAY						1	
20		40072079		FEED COVER FIX PLATE A						1	
21		40072080		FEED COVER FIX PLATE B						2	
22		40072195		FEED_COVER_RAIL_- STOPPER_PLATE						8	
23		40072143		FEED BASE SUPPO- RT COVER RAIL X						8	
24		B1182223C00		RAIL GUIDE						2	
25		40072078		FEED BASE SUPPO- RT COVER RAIL Y						2	
26		B1193223C00		GUIDE RAIL CLICK						4	
27		B1157215000		MOVEMENT COVER PLATE						2	
28		PS0250062KH		SPRING PIN 2.5X6						8	
29		SM4030401SC		SCREW M3X0.5 L=4						2	
30		SM1040870TP		SCREW						4	
31		SM1040801SP		SCREW M4X0.7 L=8						10	
32		SM1030601SP		SCREW M3 L=6						8	
33		SM4041055SP		SCREW						4	
34		SM4040655SP		SCREW M4 L=6						2	
35		SM6040650TP		SCREW						8	
36		SM4041001SC		SCREW M4X0.7 L=10						10	
37		SM4041401SC		SCREW M4X0.7 L=14						20	
38		WP0330501SB		WASHER M3						2	
39		WP0450801SD		WASHER 4.5X10X0.8						4	
40		WP0450000SD		WASHER 4.5X8X0.5						8	
41		40024997		LIFTER_BASE						1	
42		SM6061202TP		SCREW M6 L=12						2	
43		WP0641601SC		WASHER						2	
44		40142674		CYLINDER_ARM_CAP_ASM.						1	

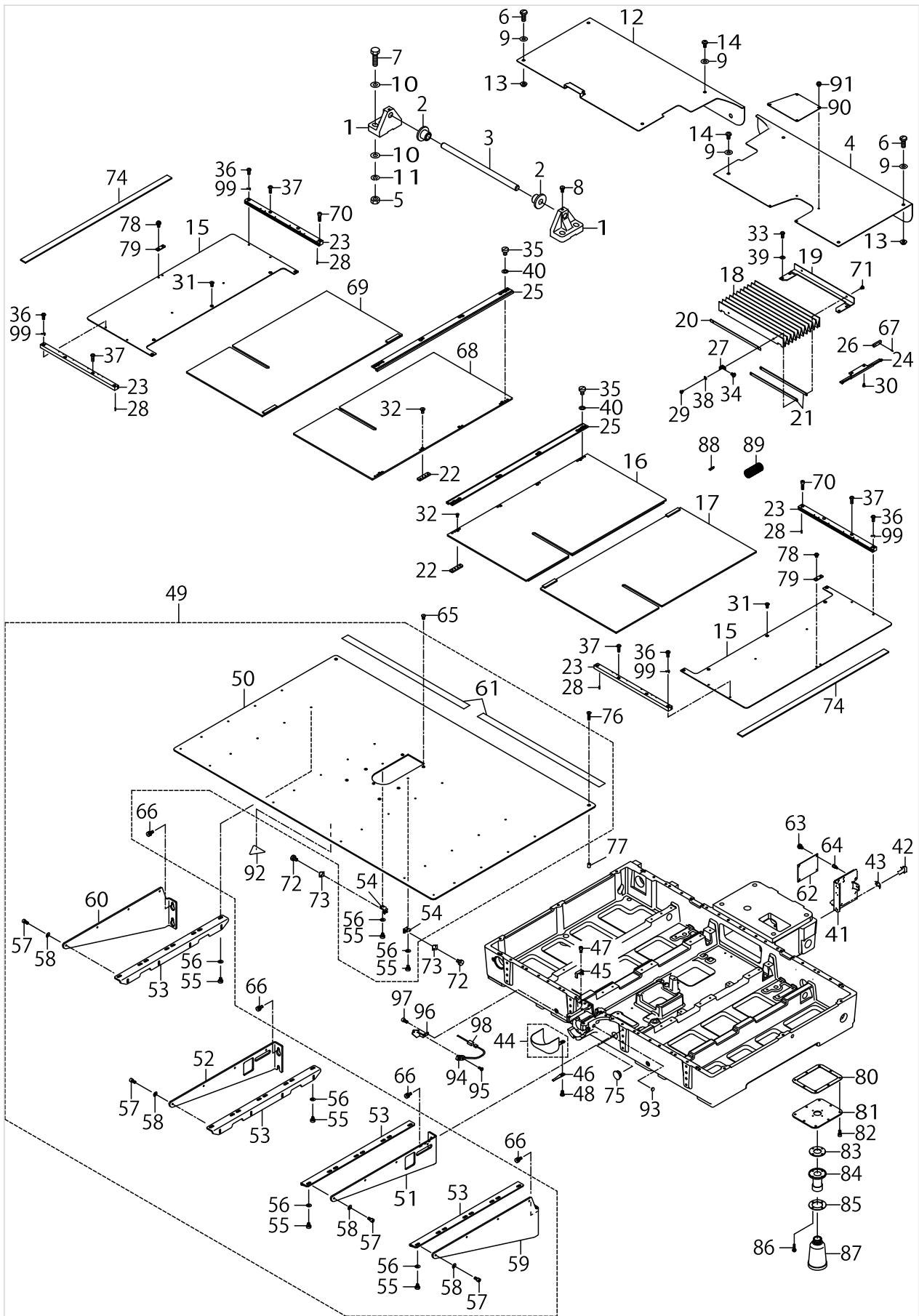
FRAME & MISCELLANEOUS COVER COMPONENTS (3)



FRAME & MISCELLANEOUS COVER COMPONENTS (3)

No.	Supply Code	Parts No.	Replacement	Parts name	Remarks	Choice	Step	Level	Cons	Qty	Rep. QTY
45		40176021		CABLE_STAY						1	
46		26221200		HOOK COVER PRESSER SPRING B						1	
47		SM6040860TP		SCREW M4 L=8						1	
48		SL4041091SC		SCREW M4 L=10						1	
49		40072244		NEEDLE PLATE SUPPORT COVER ASM						1	
50		40101763		SUS_NEEDLE_SUPPORT_PLATE_4530				*		1	
51		40072176		COVER_SUPPORT_A_RIGHT				*		2	
52		40072175		COVER_SUPPORT_A_LEFT				*		2	
53		40072179		COVER_SUPPORT_BRACKET				*		6	
54		40025014		COVER_SUPPORT_B				*		2	
55		SM6450610TP		SCREW				*		32	
56		WP0450801SP		WASHER				*		32	
57		SM6040802TP		SCREW M4X0.7 L=8				*		24	
58		WP0450801SP		WASHER				*		24	
59		40072178		COVER_SUPPORT_B_RIGHT				*		1	
60		40072177		COVER_SUPPORT_B_LEFT				*		1	
61		40051501		TAPE				*		2	
62		40040230		INT PCB ASM						1	
63		SL4040891SC		SCREW M4 L=8						4	
64		HX003390000		STUD						4	
65		SM1040870TP		SCREW						2	
66		SL9061600SF		SCREW						12	
67		PS0150065KP		SPRING PIN 1.5X6						8	
68		40072193		X_FEED_UPPER_COVER_L_ASM_4530						1	
69		40072186		X_FEED_LOWER_COVER_L_ASM_4530						1	
70		SM6041402TN		SCREW M4X0.7 L=14						2	
71		SM7030450SC		SCREW M3X0.5 L=4						2	
72		SM6050802TP		SCREW M5X0.8 L=8						2	
73		WP0520656SA		WASHER 5.2X9.5X0.6						2	
74		G611387500A		CLOTH PRESSER SPONGE A						1	
75		TA2100904R0		RUBBER PLUG						1	
76		SM1041601SC		SCREW M4X0.7 L=16						2	
77		12209706		COLLAR						2	
78		SL4041091SC		SCREW M4 L=10						4	
79		40072214		FEED COVER STOPPER						2	
80		40072213		OIL_PAN_GASKET						1	
81		40072212		OIL_PAN						1	
82		SM6040802TP		SCREW M4X0.7 L=8						8	
83		B8112220000		OIL SEAL						1	
84		B8202205000		OIL MANAGEMENT						1	
85		B8111220000		WASHER						1	
86		SL4031481SC		SCREW M3X14						4	
87		B9121012000		OIL CAN						1	
88		40082017		X_FEED_LOWER_COVER_STOPPER_G						4	

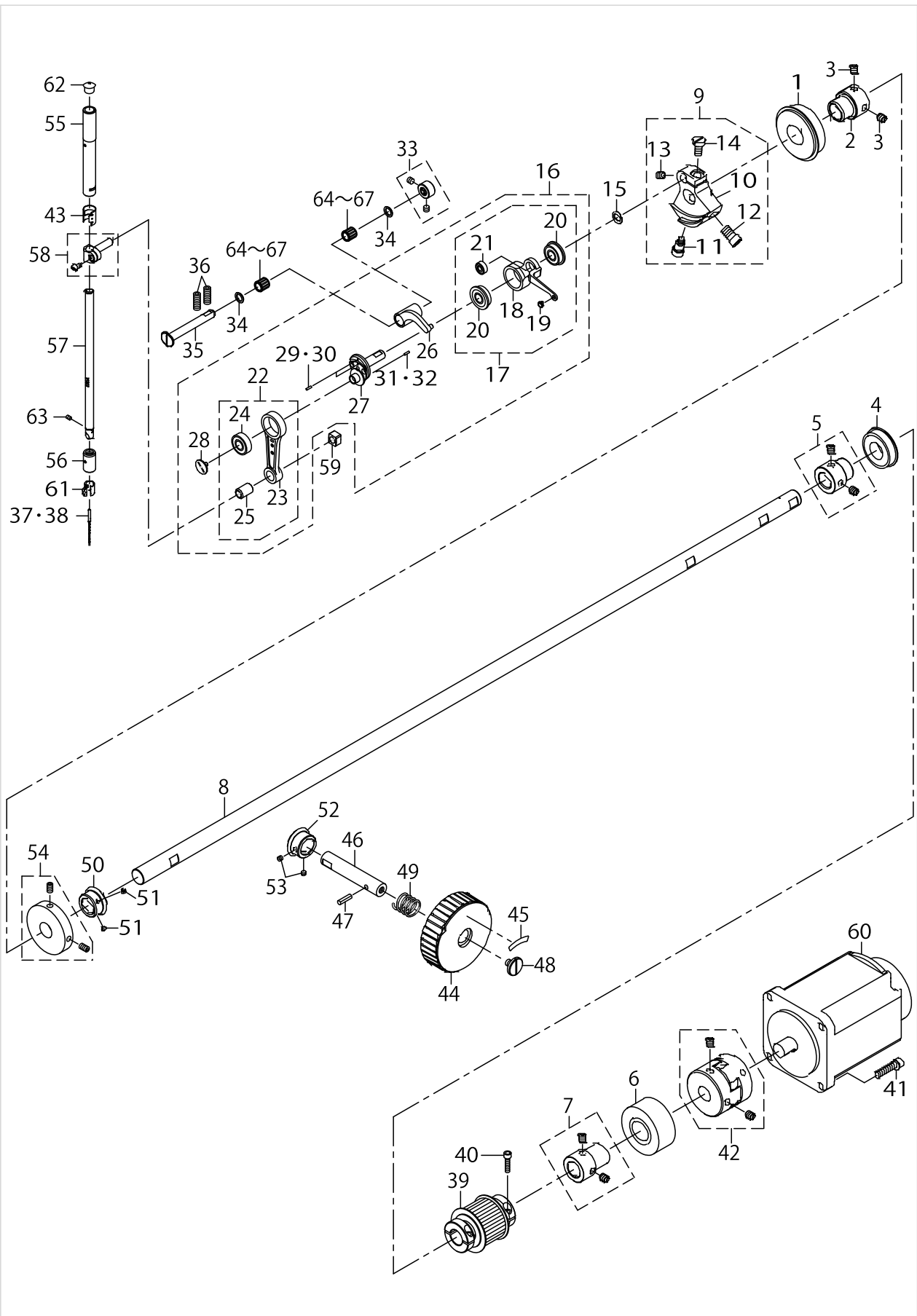
FRAME & MISCELLANEOUS COVER COMPONENTS (3)



FRAME & MISCELLANEOUS COVER COMPONENTS (3)

No.	Supply Code	Parts No.	Replacement	Parts name	Remarks	Choice	Step	Level	Cons	Qty	Rep. QTY
89		HX00307000D		CABLE PARTS						.05	
90		40090432		BED COVER RIGHT B						1	
91		SL4040691SC		SCREW M4 L=6						4	
92		40058949		BINDER_CAUTION_LABEL_M						1	
93		TA0750404R0		PLUG D=7.5 L=3.5						1	
94		40141483		COVER SENSOR ASSY						1	
95		SM4030801SC		SCREW M3X0.5 L=8						1	
96		40173310		HOOK_COVER_SENSOR_BRACKET						1	
97		SM6040802TP		SCREW M4X0.7 L=8						2	
98		40174539		SHUTTLE COVER S- SENSOR CABLE ASM						1	
99		WP0450846SP		WASHER						8	

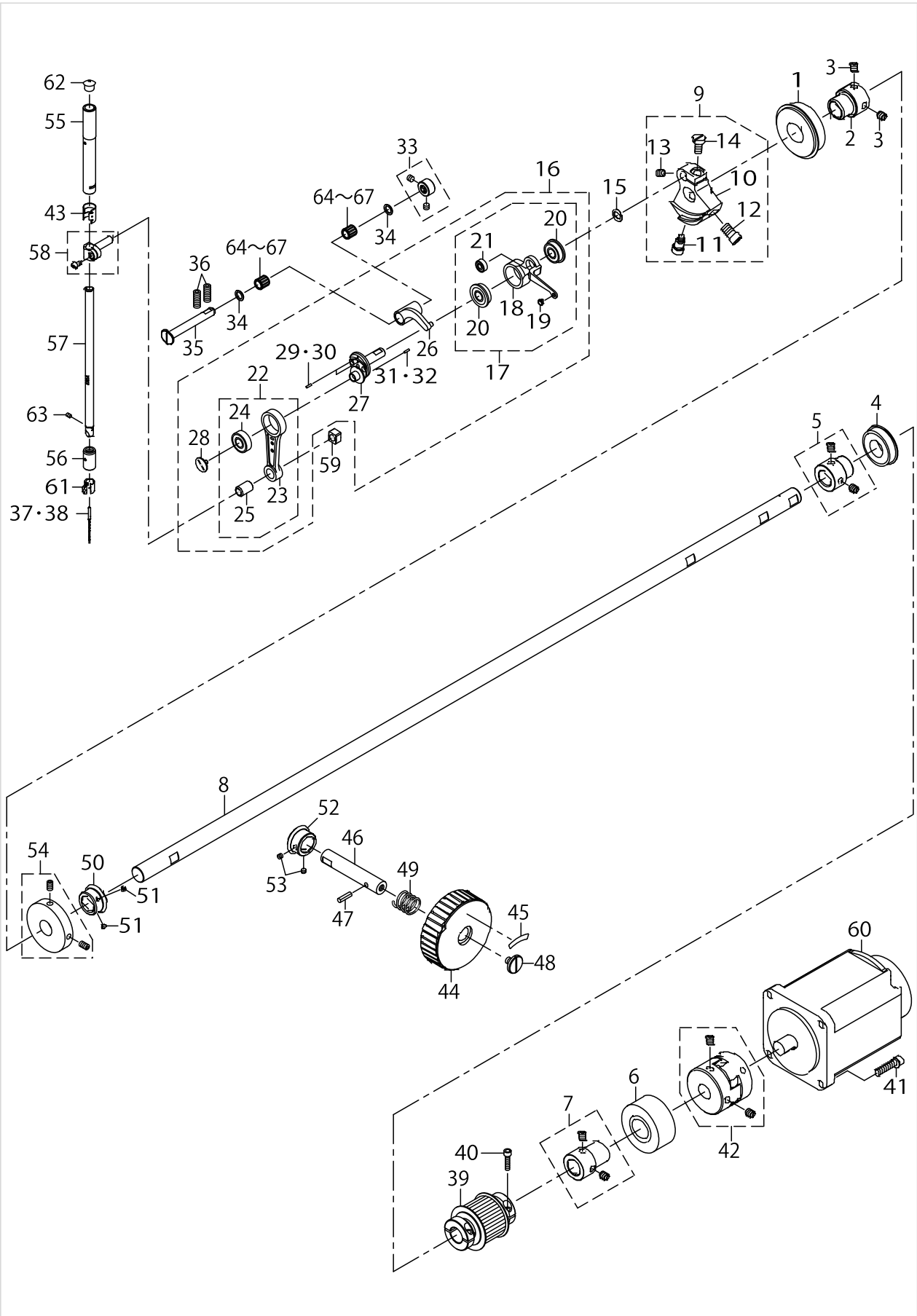
MAIN SHAFT & NEEDLE BAR COMPONENTS



MAIN SHAFT & NEEDLE BAR COMPONENTS

No.	Supply Code	Parts No.	Replacement	Parts name	Remarks	Choice	Step	Level	Cons	Qty	Rep. QTY
1		SB120000900		BEARING						1	
2		23604200		MAIN SHAFT BEARING SUPPORT						1	
3		SM8060812TP		SCREW M6 L=8						2	
4		SB120001800		BEARING						1	
5		40010415		BEARING_BUSH_A_ASM.						1	
6		SB120001700		BEARING						1	
7		40010418		BEARING_BUSH_B_ASM.						1	
8		40072086		MAIN SHAFT						1	
9		40010422		COUNTER_WEIGHT_ASM.						1	
10	R	40010423	40010422	COUNTER_WEIGHT				*		1	1.00
11		40010424		COUNTER_WEIGHT_SCREW_A				*		1	
12		40010425		COUNTER_WEIGHT_SCREW_B				*		1	
13		40010426		COUNTER_WEIGHT_SCREW_C				*		1	
14		40010427		COUNTER_WEIGHT_SCREW_D				*		1	
15		WP0820516SP		WASHER 11.6X8.2X0.6						1	
16		40173315		THREAD_TAKE_UP_COMPL_R						1	
17		40173316		THREAD_TAKE_UP_LEVER_ASM_R				*		1	
18		40173317		THREAD_TAKE_UP_LEVER				*		1	
19		B1908505000		THREAD PASS BUSH				*		1	
20		SB108002200		BEARING				*		2	
21		SB104001600		BEARING				*		1	
22		40078106		NEEDLE_BAR_CRANK- K_ROD_ALL_ASM				*		1	
23		40078088		NEEDLE_BAR_CRANK_ROD				*		1	
24		SB108002300		BEARING				*		1	
25	R	22891006	22890958	NEEDLE BAR CRANK ROD BUSH		A	DDL-5700N	*		1	1.00
25	R	22891006	23622251	NEEDLE BAR CRANK ROD BUSH		B	DDL-9000,- DP-2100,DLN-9010	*		1	1.00
25	R	22891006	40078106	NEEDLE BAR CRANK ROD BUSH		C	AMS- /IP-- 420,AMS-220EN	*		1	1.00
25	R	22891006	40006534	NEEDLE BAR CRANK ROD BUSH		D	LK- ,AMS-- /IP-410,A- MS-210E,AB-1351	*		1	1.00
26		40173318		THREAD_TAKE_UP_CRANK				*		1	
27	R	40078083	40078382	NEEDLE_ROD_CRANK				*		1	1.00
28		B1903552000		LEFT SCREW				*		1	
29		40078135		PIN	SELECTIVE PARTS			*		1	
30		40096186		PIN	SELECTIVE PARTS			*		1	
31		B1705850000		STOPPER PIN	SELECTIVE PARTS			*		1	
32		40096209		PIN	SELECTIVE PARTS			*		1	
33		40010434		THRUST_COLLAR_ASM.						1	
34		22891204		BEARING SUPPORT						2	
35		40078079		THREAD_TAKE_UP_CRANK_SHAFT						1	
36		SM8061612TP		SCREW M6X16						2	
37		MDP170B2300		NEEDLE DPX17 #23	TYPE H(FOR ST)				☆	1	
38		MC372001600		NEEDLE SY3355 160	TYPE H(FOR JE)				☆	1	
39		40072233		SPROCKET_ASM						1	
40		SM6041602TP		SCREW M4X0.7 L=16						4	
41		SL6052592TN		BOLT						4	

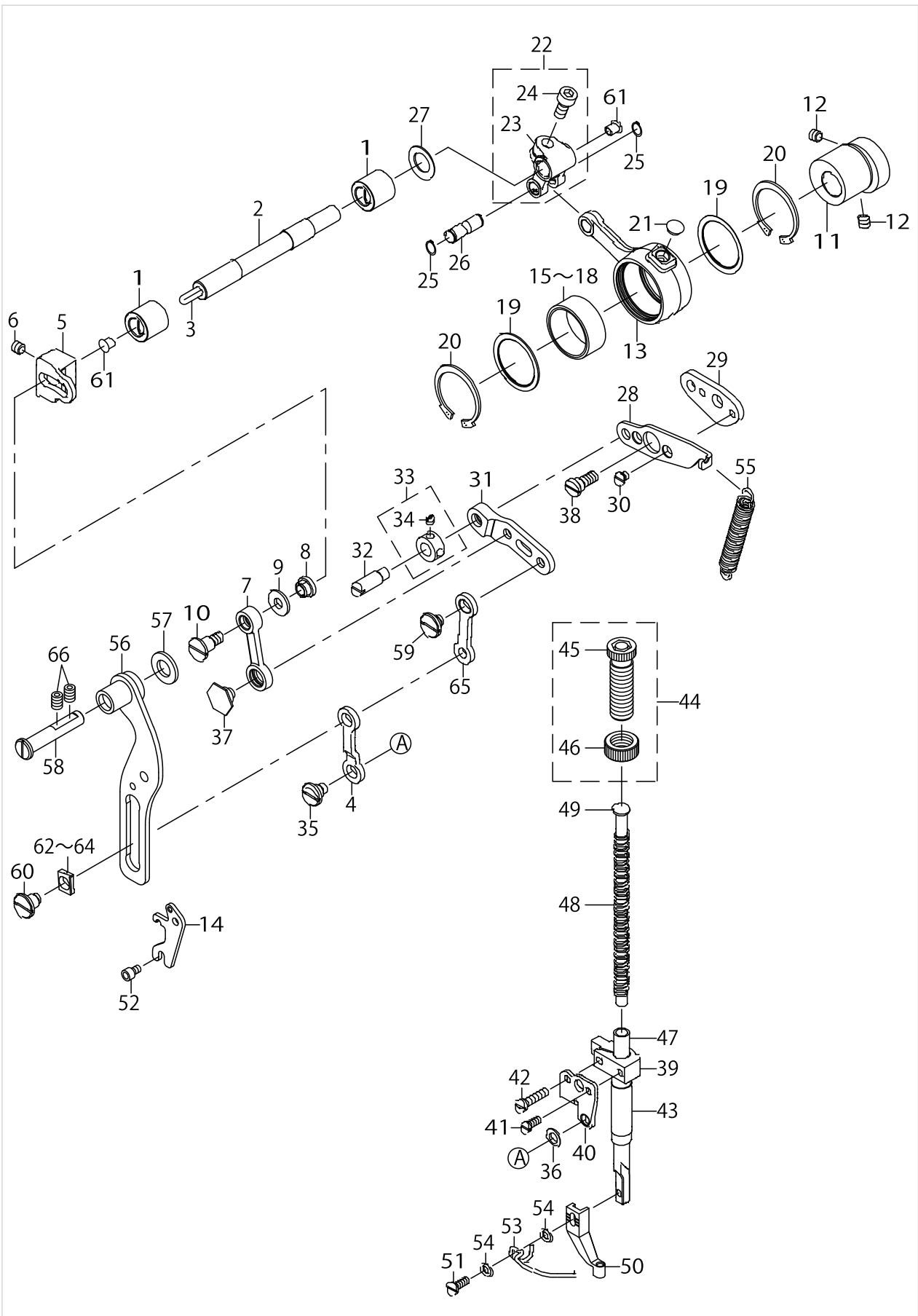
MAIN SHAFT & NEEDLE BAR COMPONENTS



MAIN SHAFT & NEEDLE BAR COMPONENTS

No.	Supply Code	Parts No.	Replacement	Parts name	Remarks	Choice	Step	Level	Cons	Qty	Rep. QTY
42		40051473		COUPLING ASM.						1	
43		40078160		NEEDLE_ROD_META- L_GREASE_COVER						1	
44		B1212210D00		PULLEY						1	
45		B1144210000		REVOLVING DIRECTION LABEL						1	
46		40044053		PULLEY SHAFT						1	
47		PS0400142KH		SPRING PIN 4X14						1	
48		A1230500000A		HANDWHEEL SETSCREW						1	
49		GAF01007000		SPRING						1	
50		40006515		GEAR_A						1	
51		SM8040310SS		SCREW M4 L=3						2	
52		40006516		GEAR_B						1	
53		SM8040310SS		SCREW M4 L=3						2	
54		40010533		BTW_DRIVING_WHEEL_ASM.						1	
55		40077604		NEEDLE_ROD_METAL						1	
56		40077605		NEEDLE_ROD_LOWER_METAL						1	
57		40026882		NEEDLE_BAR						1	
58		B14115520A0		NEEDLE BAR CONNECTING ASM.						1	
59		B1414555000		SLIDE BLOCK						1	
60		40052937		550W_SERVO_MOTOR						1	
61		40026884		NEEDLE_BAR_SHREAD_GUIDE_H	TYPE H					1	
62		22901409		NEEDLE BAR UPPER BUSH CAP						1	
63		SM8030412TP		SCREW						1	
64		SB30700020A		BEARING	SELECTIVE PARTS					2	
65		SB30700020B		BEARING	SELECTIVE PARTS					2	
66		SB30700020C		BEARING	SELECTIVE PARTS					2	
67		SB30700020D		BEARING	SELECTIVE PARTS					2	

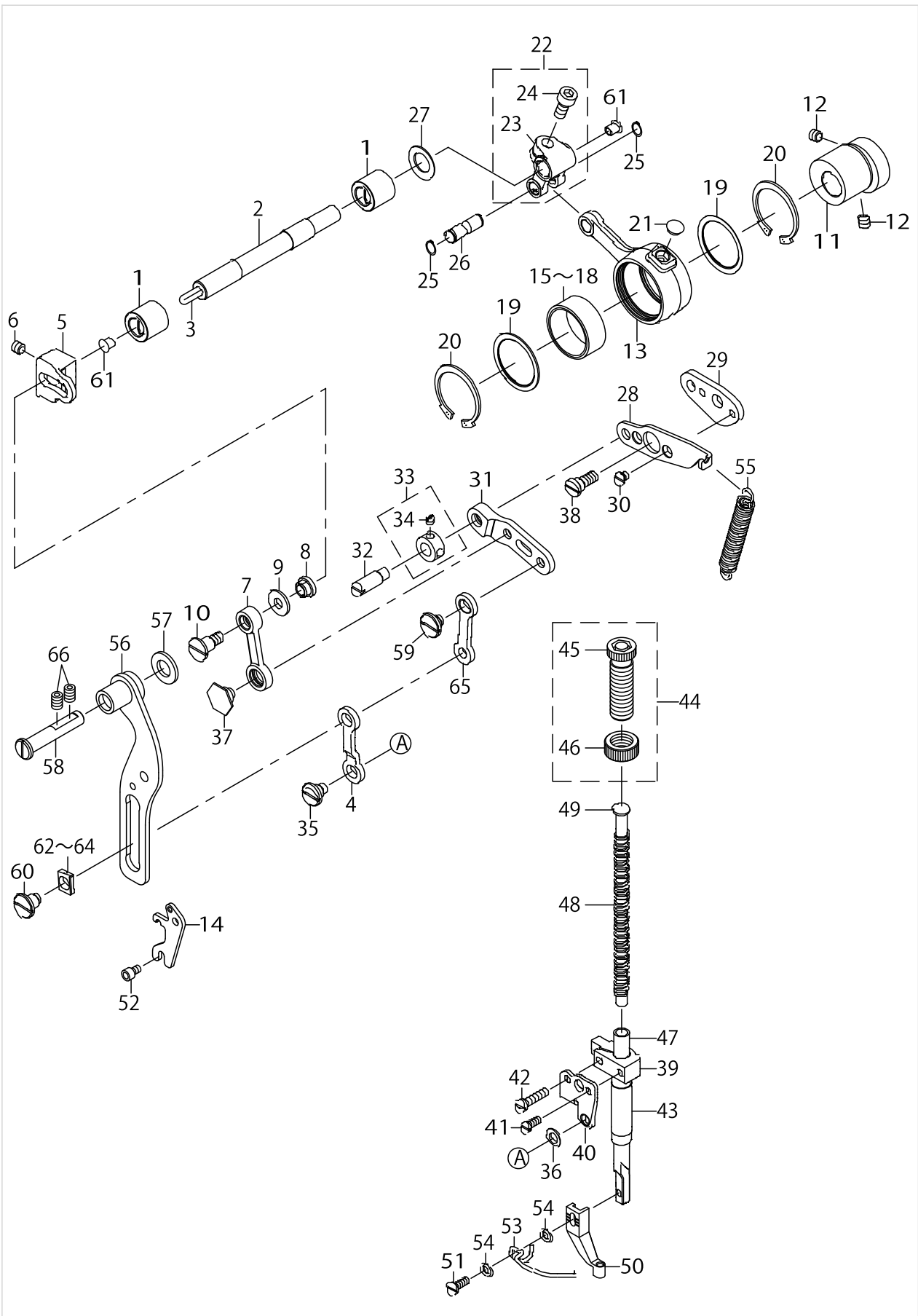
PRESSER MECHANISM & PRESSER VARIABLE COMPONENTS (1)



PRESSER MECHANISM & PRESSER VARIABLE COMPONENTS (1)

No.	Supply Code	Parts No.	Replacement	Parts name	Remarks	Choice	Step	Level	Cons	Qty	Rep. QTY
1		40025431		BUSHING						2	
2		40025427		INTERMEDIATE_PRESSER_SHAFT						1	
3		CQ303000000		OIL WICK						.18	
4		40030617		INTERMEDIATE_PRESSER_LINK_D						1	
5		40025012		ADJUSTING_ARM						1	
6		SM8060812TP		SCREW M6 L=8						1	
7		40068835		INTERMEDIATE_PRESSURE_LINK						1	
8		40025415		ADJUSTING_NUT						1	
9		WP0611626SP		WASHER 15X6X1.6						1	
10		SD0800746TP		SHOULDER SCREW						1	
11		40025428		ECCENTRIC_CAM						1	
12		SM8060812TP		SCREW M6 L=8						2	
13		40025011		CRANK_CONNECTING_ROD						1	
14		40068833		POSITIONING_LINK_SPRING_HOOK						1	
15		B1636581A00		NEEDLE BEARING	SELECTIVE PARTS					1	
16		B1636581B00		NEEDLE BEARING B	SELECTIVE PARTS					1	
17		B1636581C00		NEEDLE BEARING	SELECTIVE PARTS					1	
18		B1636581D00		NEEDLE BEARING	SELECTIVE PARTS					1	
19		40012965		BEARING_SUPPORT_PLATE						2	
20		RC3781518KP		RETAINING RING						2	
21		TA0750404R0		PLUG D=7.5 L=3.5						1	
22		13122452		FEED BRANCH CRANK ASM.						1	
23		13122403		FEED BRANCH CRANK				*		1	
24		SM6061402TP		SCREW M6 L=14				*		1	
25		RC0650811KP		RETAINING RING						2	
26		40025429		ROD_CONNECTING_SHAFT						1	
27		WP1221016SP		WASHER						1	
28		40068834		POSITIONING_LINK						1	
29		40024988		POSITIONING_LINK_B						1	
30		SS1110640TP		SCREW 11/64-40 L=5.5						2	
31		40030620		INTERMEDIATE_PRESSER_LINK_B						1	
32		B1408180000		HINGE SCREW						1	
33		CS079073ASH		THRUST COLLAR ASM.						1	
34		SS8110410TP		SCREW 11/64-40 L=3.5				*		2	
35		SD0800386TP		SHOULDER SCREW D=8 H=3.75						1	
36		40029419		LINK_CONNECTING_PLATE_WASHER						1	
37		SD1000506TP		SHOULDER SCREW D=10 H=4.95						1	
38		SD0800408TP		SHOULDER SCREW						1	
39		23610108		PRESSER BAR GUIDE BRACKET						1	
40		40024991		LINK_CONNECTING_PLATE						1	
41		SS6090910SP		SCREW 9/64-40 L=9						1	
42		SS7111810TP		SCREW 11/64-40 L=18						1	
43		40078133		PRESSER_BUSHING						1	
44		22907554		PRESSER SPRING REG NUT ASM.						1	
45	R	22907505	22907554	PRESSER SPRING REGULATOR				*		1	1.00

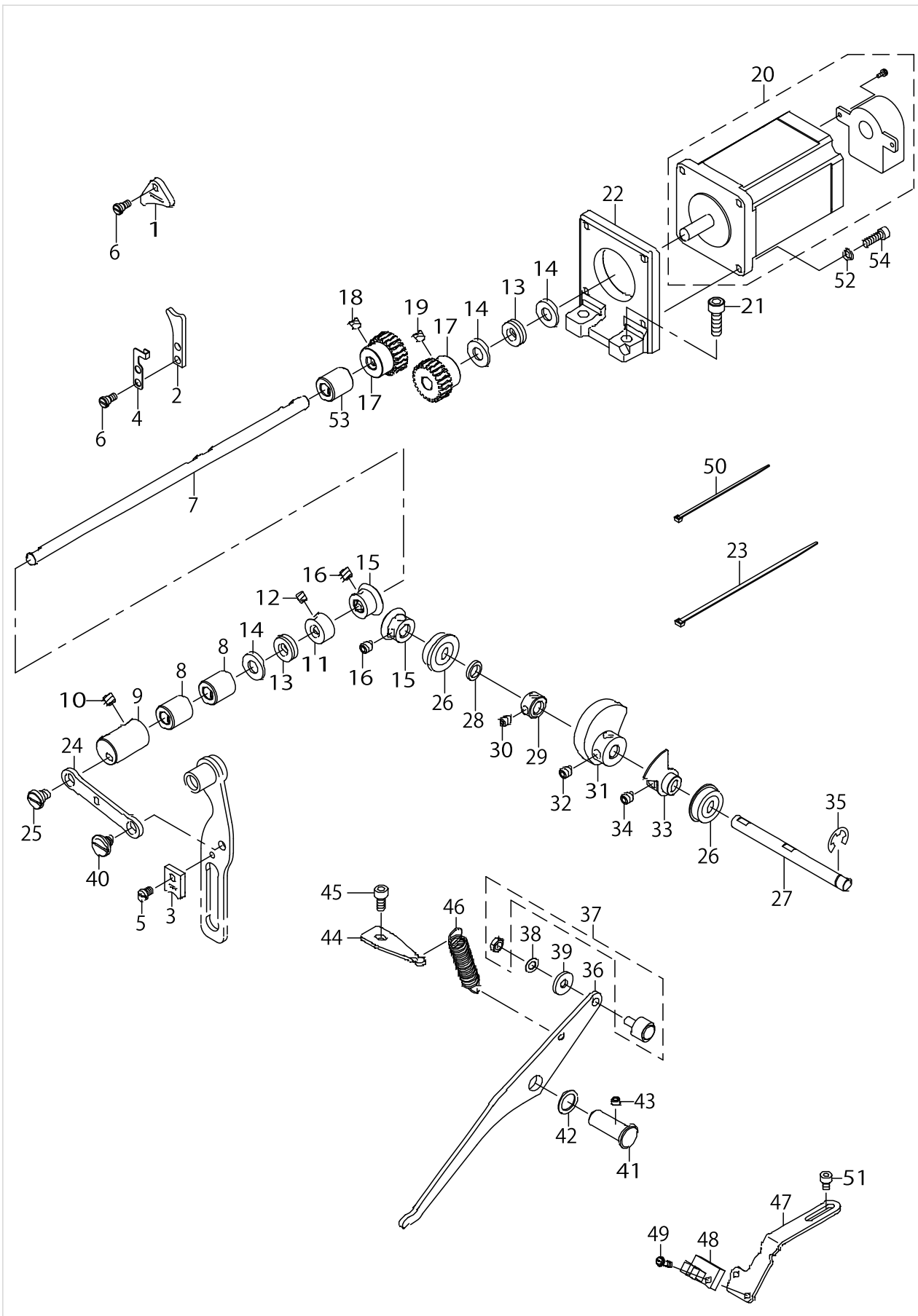
PRESSER MECHANISM & PRESSER VARIABLE COMPONENTS (1)



PRESSER MECHANISM & PRESSER VARIABLE COMPONENTS (1)

No.	Supply Code	Parts No.	Replacement	Parts name	Remarks	Choice	Step	Level	Cons	Qty	Rep. QTY
46	R	22907604	22907554	PRESSER SPRING REGULATOR NUT				*		1	1.00
47		40030623		INTERMEDIATE_PRESSER_BAR						1	
48		B161121000A		INNER PRESSER SPRING						1	
49		40023631		PRESSER GUIDE BAR						1	
50	R	B1601210D0C	B1601210D0CA	INTERMEDIATE PRESSER C					☆	1	1.00
51		SM7751160TP		SCREW						1	
52		SM6040602TP		SCREW M4 L=6						2	
53		B1634210D00		FINGER GUARD						1	
54		WP0430800SC		WASHER M4						2	
55		40030621		INTERMEDIATE_PRE- SSER_SPRING B						1	
56		40077925		PRESSURE_VARIABLE_PLATE_ASM.						1	
57		40078113		COLLAR						1	
58		40023624		THREAD_TRIMMER_SHAFT						1	
59		SD0800336TP		SHOULDER SCREW						1	
60		SD0800656TP		SHOULDER SCREW						1	
61		TA0550604R0		RUBBER PLUG						2	
62		40030628		SLIDE_BLOCK_A	SELECTIVE PARTS					1	
63		40030629		SLIDE_BLOCK_B	SELECTIVE PARTS					1	
64		40030630		SLIDE_BLOCK_C	SELECTIVE PARTS					1	
65		40030616		INTERMEDIATE_PRESSER_LINK_C						1	
66		SM8060812TP		SCREW M6 L=8						2	

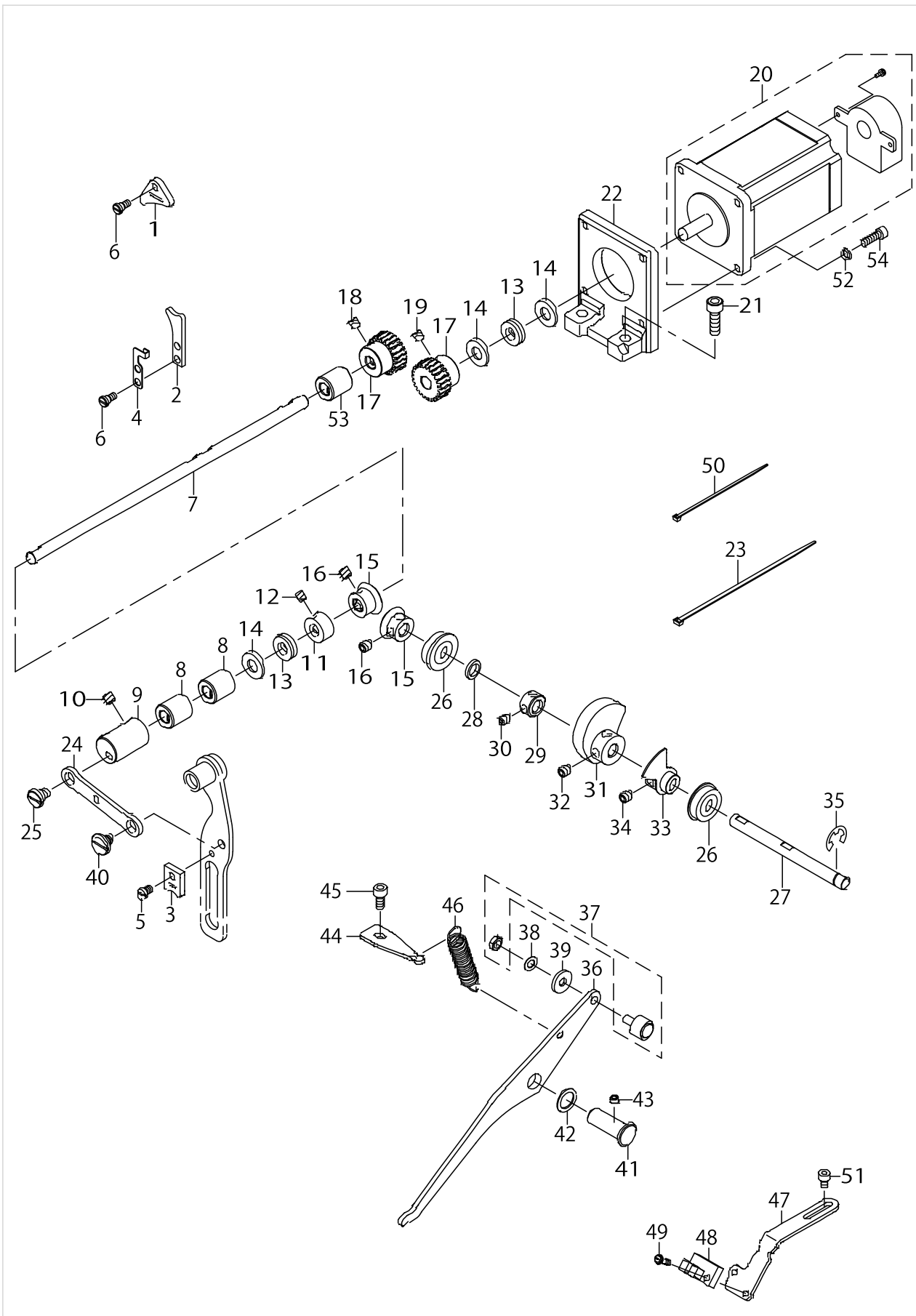
PRESSER MECHANISM & PRESSER VARIABLE COMPONENTS (2)



PRESSER MECHANISM & PRESSER VARIABLE COMPONENTS (2)

No.	Supply Code	Parts No.	Replacement	Parts name	Remarks	Choice	Step	Level	Cons	Qty	Rep. QTY
1		40030625		FACE_FELT_A						1	
2		40030626		FACE_FELT_B						1	
3		40030627		FACE_FELT_C						1	
4		40026817		FACE_FELT_B_SUPPORT						1	
5		40029420		FELT_SCREW_C						1	
6		40032483		FELT_SCREW_AB						3	
7		40032179		PRESSER_VARIABLE_SHAFT						1	
8		40025423		BUSHING B						2	
9		40026819		PRESSER_VARIABLE_ARM						1	
10		SM8480652TP		SCREW						2	
11		CS0800881TP		THRUST COLLAR						1	
12		SM8050412TP		SCREW M5 L=4						2	
13		SB408000100		BEARING						2	
14		WP0850002SP		WASHER 8.5X18X1.6						3	
15		40030615		PRESSER_LIFT_GEAR						2	
16		SM8060812TP		SCREW M6 L=8						4	
17		40032180		PRESSER_MOTOR_GEAR_A						2	
18		SM8060812TP		SCREW M6 L=8						2	
19		SM8060602TP		SCREW M6X6						2	
20		40103969		ENCODER MOTOR ASM.(IP)						1	
21		SM6061802TP		SCREW M6 L=18						2	
22		40032181		PRESSER_MOTOR_BRACKET						1	
23		EA9500B0200		CABLE BAND 150						2	
24		40024989		PRESSER_VARIABLE_LINK						1	
25		SD0800337TP		SHOULDER SCREW						1	
26		SB108000500		RADIAL BEARING						2	
27		40025426		PRESSER_LIFT_SHAFT						1	
28		WZ0850302K0		WAVED WASHER 8.5X12.5X0.3						1	
29		CS0800881TP		THRUST COLLAR						1	
30		SM8050412TP		SCREW M5 L=4						2	
31		40025016		LIFTING_CAM						1	
32		SM8060812TP		SCREW M6 L=8						2	
33		40025418		SENSOR_SLIT_ASM						1	
34		SM8060812TP		SCREW M6 L=8						2	
35		RE0700000K0		E-RING 7						1	
36		40025030		LIFTING_LINK						1	
37		40027870		CAM FOLLOWER						1	
38		WP0520656SA		WASHER 5.2X9.5X0.6						1	
39		WP0522016SH		WASHER						1	
40		SD0800387TP		SHOULDER SCREW D=8 H=3.75						1	
41		B1641562000		FEED REGULATING ARM SHAFT						1	
42		26226001		WASHER						1	
43		SM8050412TP		SCREW M5 L=4						1	
44		40025420		LIFTER_LINK_SPRING_HOOK						1	
45		SM6050802TP		SCREW M5X0.8 L=8						1	
46		40003970		TENSION RELEASE RETURN						1	

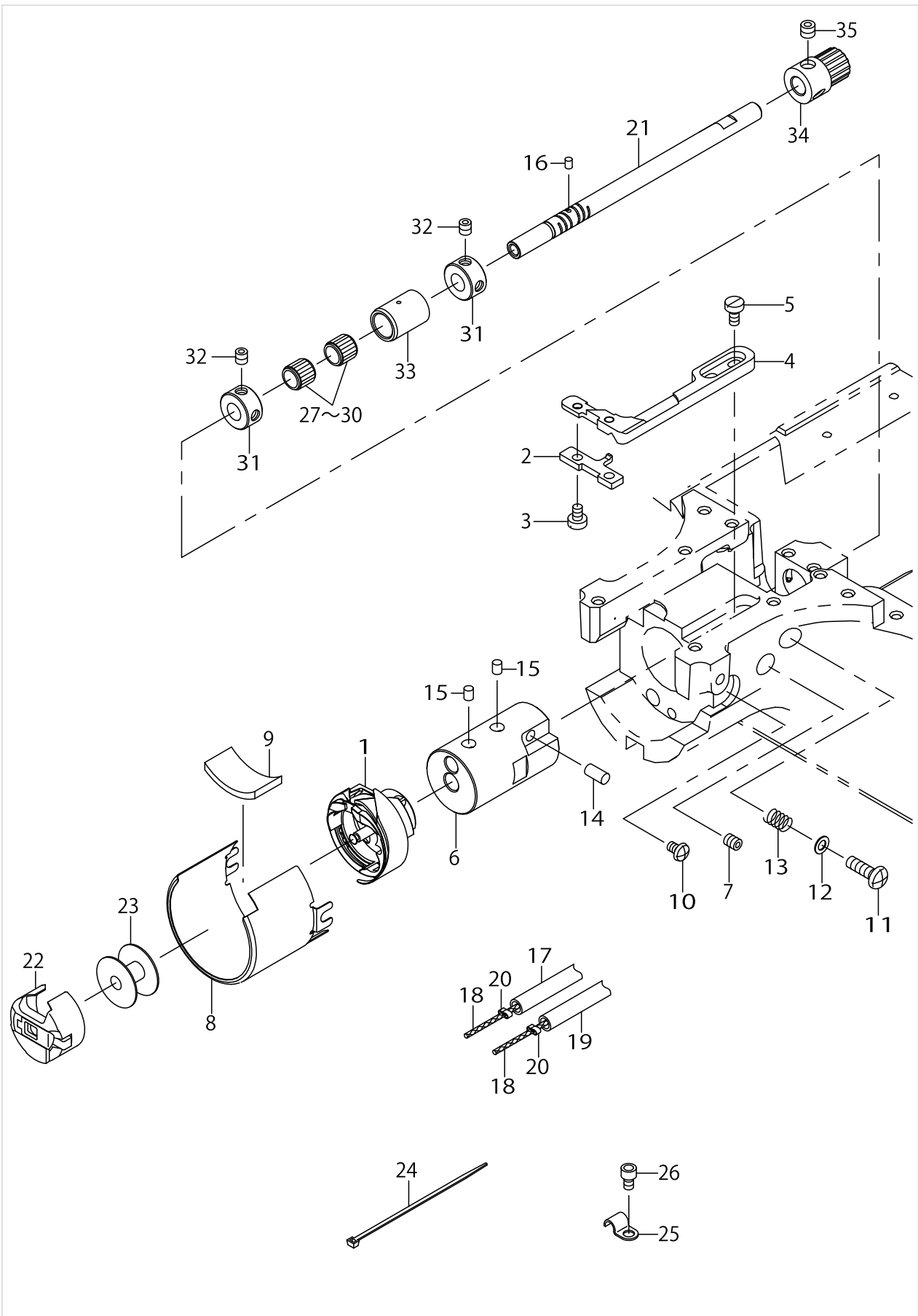
PRESSER MECHANISM & PRESSER VARIABLE COMPONENTS (2)



PRESSER MECHANISM & PRESSER VARIABLE COMPONENTS (2)

No.	Supply Code	Parts No.	Replacement	Parts name	Remarks	Choice	Step	Level	Cons	Qty	Rep. QTY
47		40025419		SENSOR_INSTALLING_BASE						1	
48		HD00057000A		PHOTO SENSOR						1	
49		SL4031091SC		SCREW M3 X 10						1	
50		EA9500B0100		CABLE BAND						2	
51		SM6040602TP		SCREW M4 L=6						2	
52		WP0450846SP		WASHER						4	
53		40043321		BUSHING_C						1	
54		SM6041402TP		SCREW M4 L=14						4	

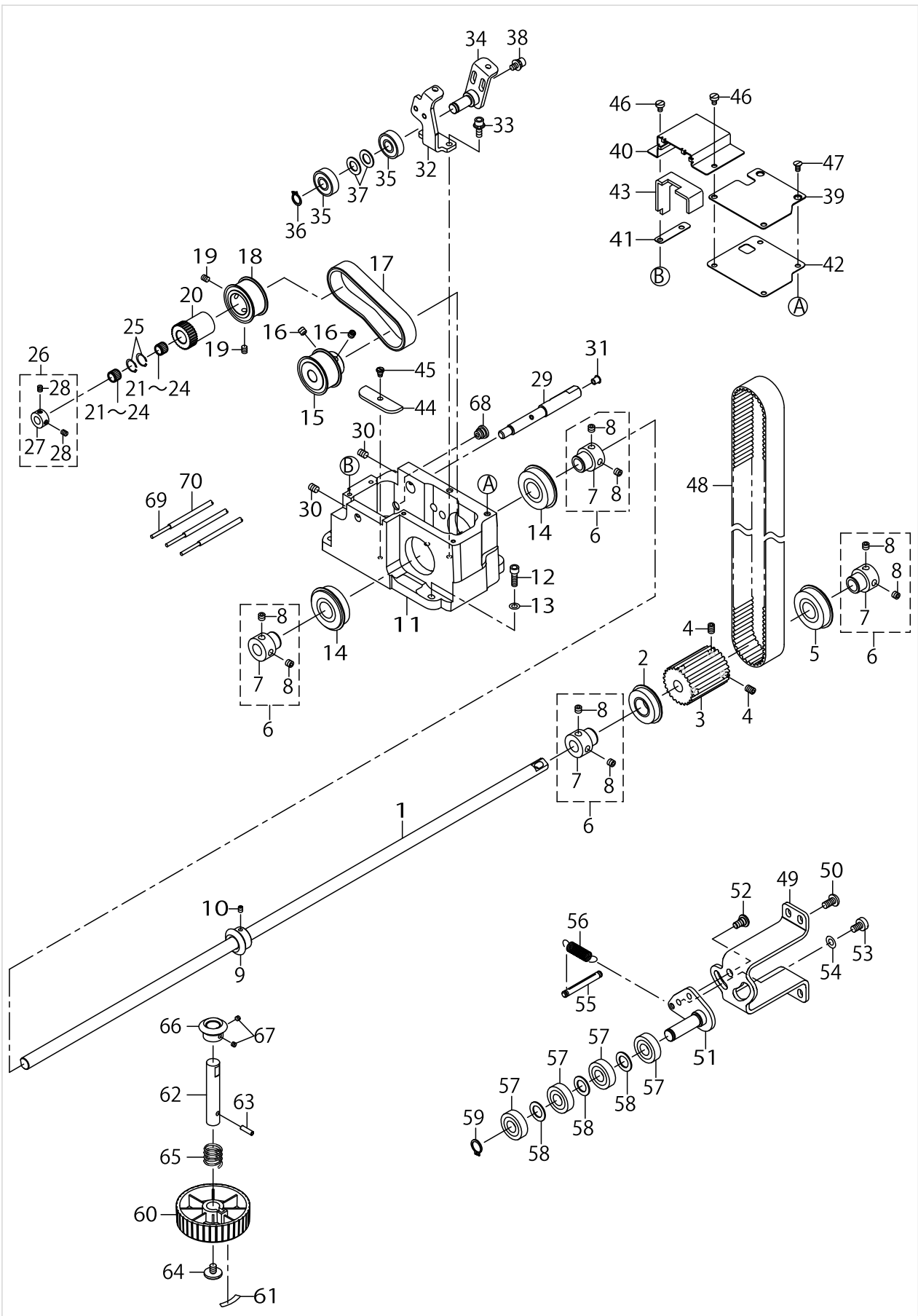
LOWER SHAFT COMPONENTS (1)



LOWER SHAFT COMPONENTS (1)

No.	Supply Code	Parts No.	Replacement	Parts name	Remarks	Choice	Step	Level	Cons	Qty	Rep. QTY
1		D1830141EA0		HOOK ASM. (KHS20-RMPN)					☆	1	
2		40135366		INNER HOOK STOPPER						1	
3		SM6450610TP		SCREW						2	
4		40173319		INNER_HOOK_STOPPER_BASE						1	
5		SM6040800SP		SCREW						2	
6		40173341		HOOK_SHAFT_METAL						1	
7		SM8050612TP		SCREW M5X6						1	
8		40173344		HOOK OIL PREVENTION PLATE						1	
9		10126704		OIL FELT						1	
10		SM5040655SN		SCREW						2	
11		SM4051655SP		SCREW M5 L=16						1	
12		WP0531000SD		WASHER M5						1	
13		B2626372000		SPRING						1	
14		12219705		PIN						1	
15		B1820210D00		SHUTTLE OIL FELT						2	
16		B1821210D00		SHUTTLE OIL FELT						1	
17		BP500000000		VINYL PIPE						.8	
18		CQ200000000		COTTON OIL WICK D=2						9.4	
19		BT0700500EA		URETHANE TUBE C-LEAR BLUE 7X5						1.35	
20		26230706		OIL WICK PRESSER						2	
21		40173337		SHUTTLE_DRIVER_SHAFT						1	
22		D1837145EAA		BOBBIN CASE ASM.					☆	1	
23		D9117141E00		BOBBIN					☆	1	
24		EA9500B0100		CABLE BAND						2	
25		B3538112000		OIL RETURN TUBE HOLDER						1	
26		SM6040602TP		SCREW M4 L=6						1	
27		B1411804A00		BEARING (A)	SELECTIVE PARTS					2	
28		B1411804B00		NEEDLE DRIVING L-EVER BEARING B	SELECTIVE PARTS					2	
29		B1411804C00		NEEDLE DRIVING L-EVER BEARING C	SELECTIVE PARTS					2	
30		B1411804D00		BEARING (D)	SELECTIVE PARTS					2	
31		CS0800971TP		THRUST COLLAR D=8 W=9						2	
32		SM8050512TP		SCREW						4	
33		B1847221D00		LOWER SHAFT MIDDLE METAL						1	
34		14435804		HOOK SHAFT GEAR						1	
35		SS8660522TP		SCREW 1/4-40 L=4.5						2	

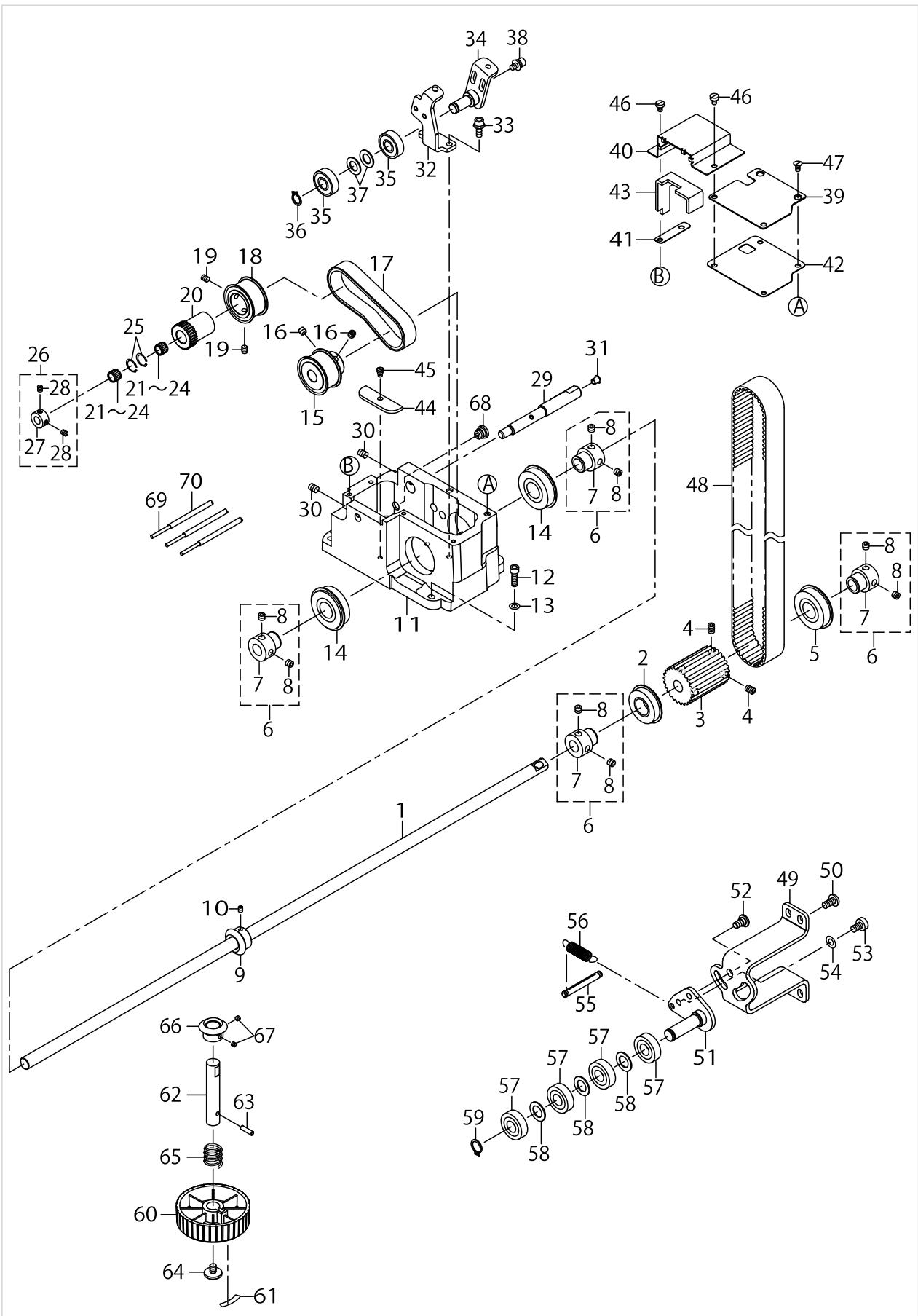
LOWER SHAFT COMPONENTS (2)



LOWER SHAFT COMPONENTS (2)

No.	Supply Code	Parts No.	Replacement	Parts name	Remarks	Choice	Step	Level	Cons	Qty	Rep. QTY
1		40173320		LOWER_SHAFT						1	
2		SB117000400		BEARING						1	
3		40072207		LOWER SHAFT SPROCKET						1	
4		SM8060812TP		SCREW M6 L=8						4	
5		SB117001000		BEARING						1	
6		40086384		BEARING SUPPORT ASM.						4	
7		23618606		BEARING SUPPORT				*		1	
8		SS8660612TP		SCREW 1/4-40 L=6				*		2	
9		40072173		GEAR_A						1	
10		SM8040502TP		SCREW M4X0.7 L=5						2	
11		40176341		LOWER_SHAFT_GEAR_BOX						1	
12		SM6051602TP		SCREW M5X0.8 L=16						4	
13		WP0531000SD		WASHER M5						4	
14		SB117001100		BEARING						2	
15		40173322		LOWER_SHAFT_PULLEY_6F						1	
16		SM8060612TP		SCREW M6 L=6						2	
17		40173323		TIMING_BELT						1	
18		40173324		LOWER_SHAFT_PULLEY_33F						1	
19		SM8050612TP		SCREW M5X6						2	
20		14435705		SHUTTLE DRIVER SHAFT GEAR						1	
21		SB31000080A		BEARING	SELECTIVE PARTS					2	
22		SB31000080B		BEARING	SELECTIVE PARTS					2	
23		SB31000080C		BEARING	SELECTIVE PARTS					2	
24		SB31000080D		BEARING	SELECTIVE PARTS					2	
25		RC1411018KP		C-RING 13 (10.9)						2	
26		CS100081CSP		THRUST COLLAR ASM. D=10 W=8						1	
27		CS1000811SP		THRUST COLLAR D=10 W=8				*		1	
28		SS8110520TP		SCREW 11/64-40 L= 4.5				*		2	
29		40173325		GEAR_SHAFT						1	
30		SM8060812TP		SCREW M6 L=8						2	
31		TA0550604R0		RUBBER PLUG						1	
32		40173326		IDLER_FITTING_PLATE						1	
33		SL6051492TN		SCREW M5 L=14						2	
34		40173327		IDLER_BASE_ASM						1	
35		SB110000400		BEARING						2	
36		RC0100001KP		C-RING 10 (9.3)						1	
37		WP1021016SD		WASHER						2	
38		SL6051092TN		SCREW M5 L=10						2	
39		40173331		BOX_COVER						1	
40		40173336		BOX_COVER_A						1	
41		40173332		GASKET_A						1	
42		40173333		GASKET_B						1	
43		40173334		FELT_A						1	
44		40173335		FELT_B						1	
45		40029420		FELT_SCREW_C						1	
46		SM6040650TP		SCREW						4	

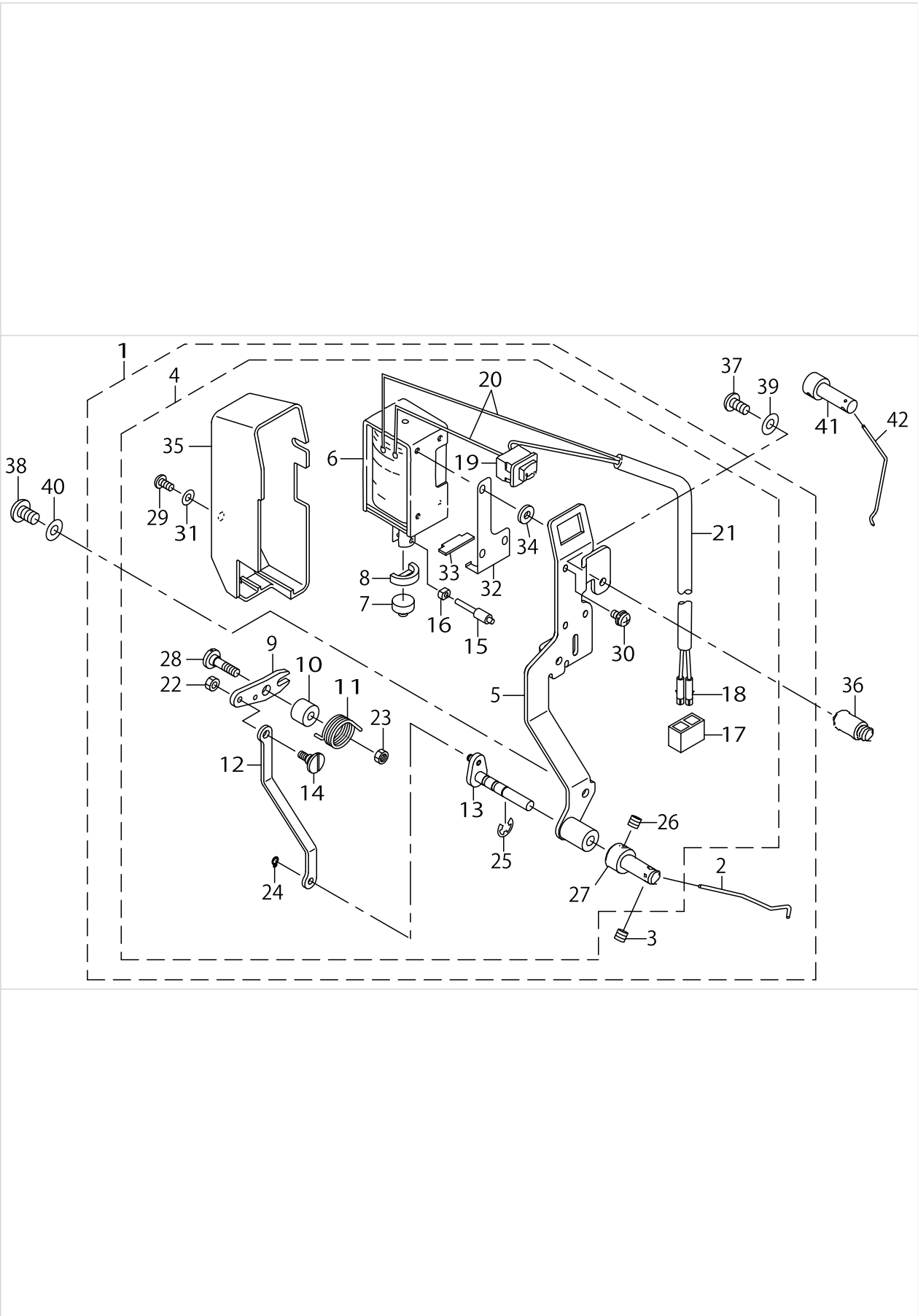
LOWER SHAFT COMPONENTS (2)



LOWER SHAFT COMPONENTS (2)

No.	Supply Code	Parts No.	Replacement	Parts name	Remarks	Choice	Step	Level	Cons	Qty	Rep. QTY
47		SM1040870TP		SCREW						2	
48		40072088		BELT						1	
49		40072208		IDLER INSTALLING PLATE						1	
50		SM4061255SP		SCREW M6 L=12						4	
51		40072103		IDLER BASE ASM						1	
52		SD0800346TP		SHOULDER SCREW						1	
53		SM6061010TP		SCREW M6 L=10						1	
54		WP0641601SD		WASHER M6						1	
55		13518501		SPRINGSUSPENSION						1	
56		14432504		IDLER SPRING						1	
57		SB112000200		BEARING						4	
58		WP1221016SP		WASHER						3	
59		RC1200001KP		C-SHAPED SNAP RING						1	
60		B1212210D00		PULLEY						1	
61		B1144210000		REVOLVING DIRECTION LABEL						1	
62		40044053		PULLEY SHAFT						1	
63		PS0400142KH		SPRING PIN 4X14						1	
64		A1230500000A		HANDWHEEL SETSCREW						1	
65		GAF01007000		SPRING						1	
66		40006516		GEAR_B						1	
67		SM8040502TP		SCREW M4X0.7 L=5						2	
68		40006840		RUBBER BUSH						3	
69		CQ200000000		OIL WICK						2.6	
70		23630007		TUBE						6.3	

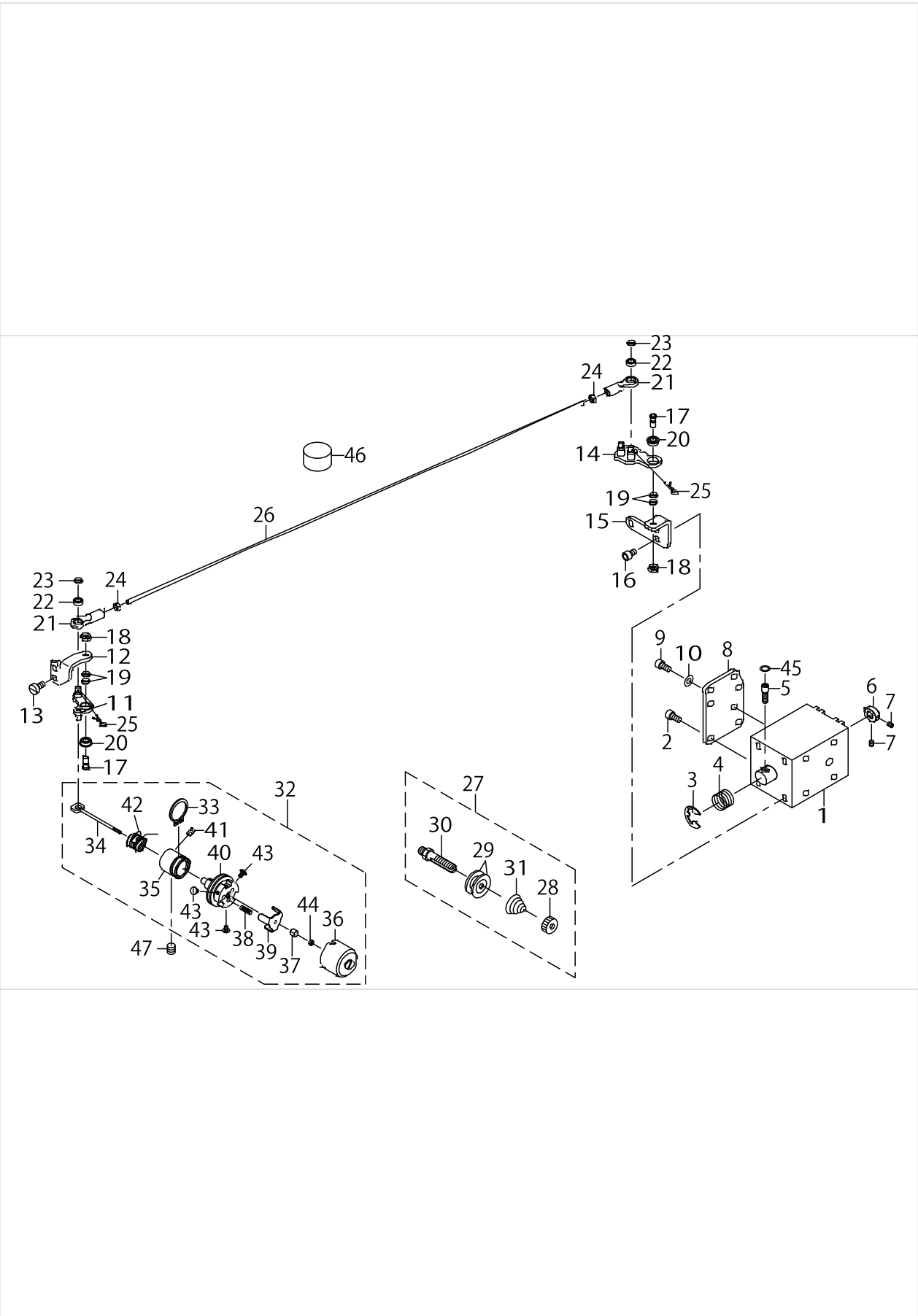
WIPER MECHANISM COMPONENTS



WIPER MECHANISM COMPONENTS

No.	Supply Code	Parts No.	Replacement	Parts name	Remarks	Choice	Step	Level	Cons	Qty	Rep. QTY
1		40086363		WIPER_ASM						1	
2		B2107210D00		WIPER				*		1	
3		SM8040412TP		SET SCREW M4 L=4				*		1	
4		40086364		WIPER_B_ASM				*		1	
5		40086355		WIPER_BASE_ASM				*		1	
6		40030956		WIPER_SOLENOID				*		1	
7		22955900		WIPER RUBBER A				*		1	
8		22956007		WIPER RUBBER B				*		1	
9		40086350		WIPER_LINK_A				*		1	
10		40086353		WIPER_HINGE_SCREW_COLLAR				*		1	
11		40086349		WIPER_SPRING				*		1	
12		40086357		WIPER_LINK_B				*		1	
13		40086358		WIPER_DRIVING_SHAFT_ASM				*		1	
14		22956908		WIPER LINK B HINGE SCREW				*		1	
15		40086352		WIPER_SOLENOID_SHAFT				*		1	
16		40091894		SLIDE_BLOCK				*		1	
17		HK034610020		2-POLE NYLON PLUG				*		1	
18		HK03464000B		PIN CONTACT				*		2	
19		HA006000000		SWITCH				*		1	
20		HW200390000		ELECTRIC WIRE				*		0.04	
21		HW500070000		2-CORE CABTYRE CORD				*		1.8	
22		NS6090310SP		NUT 9/64-40				*		1	
23		NM6050001SC		NUT M5				*		1	
24		RC0370411KP		RETAINING RING				*		1	
25		RE0500000K0		E-RING				*		1	
26		SM8040412TP		SET SCREW M4 L=4				*		1	
27		40086354		WIPER_SHAFT_CAP				*		1	
28		40086351		SHOULDER_SCREW				*		1	
29		SM4030601SN		SCREW M3X6				*		1	
30		SL4031091SC		SCREW M3X10				*		3	
31		WP0320501SC		WASHER M3				*		1	
32		40037500		RUBBER HOLDER				*		1	
33		40037501		STOPPER_RUBBER				*		1	
34		WP0482086SD		WASHER 4.8X11.5X2				*		3	
35		22955504		WIPER COVER				*		1	
36		40025440		WIPER_STUD_TOP						1	
37		SM4040855SP		SCREW						1	
38		SM4050855SP		SCREW						1	
39		WP0450801SP		WASHER						1	
40		WP0531001SC		WASHER						1	
41		40076294		WIPER_SHAFT_CAP	OPTIONAL PARTS					1	
42		B2107210D0B		WIPER	OPTIONAL PARTS					1	

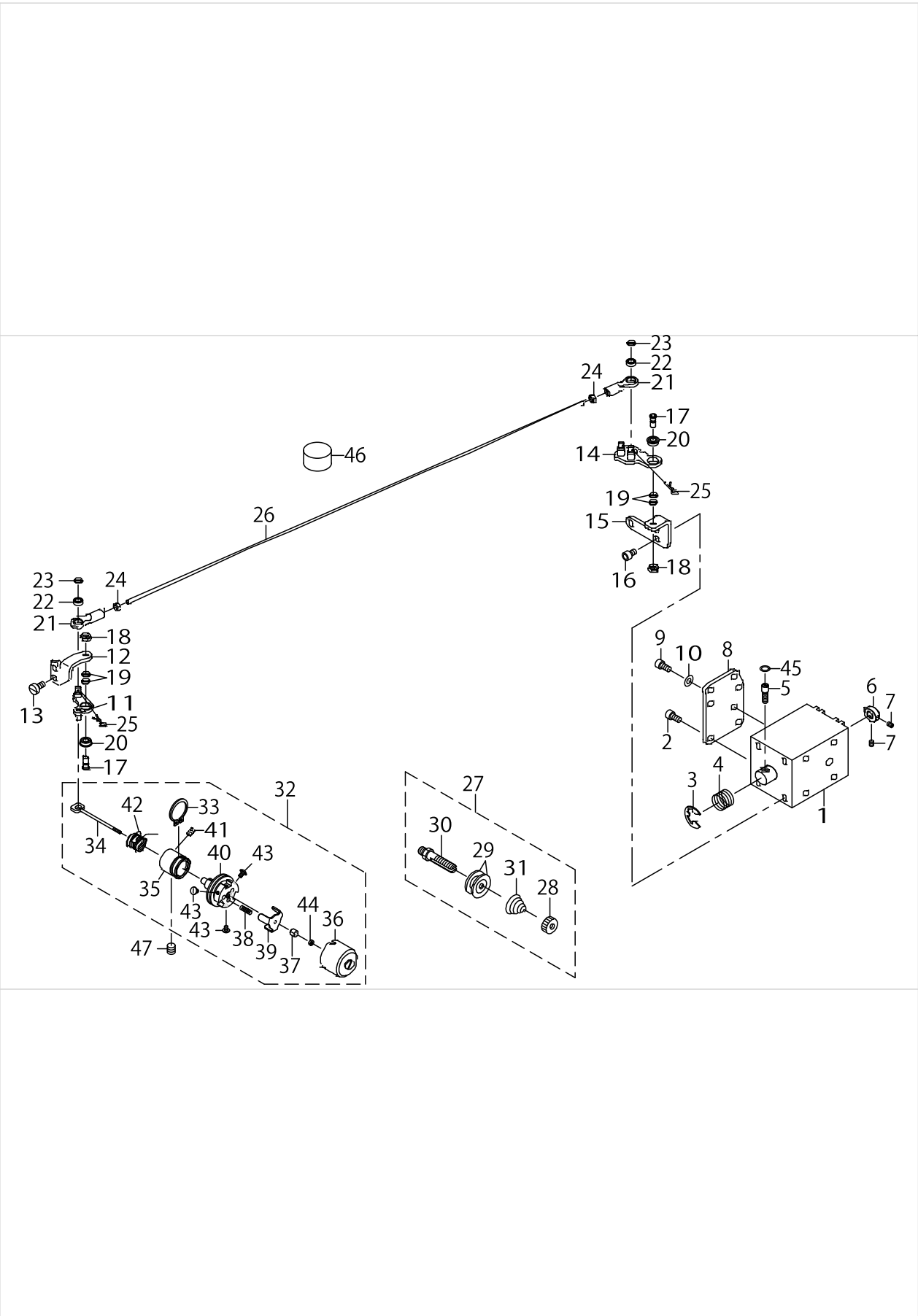
TENSION RELEASE & THREAD TENSION COMPONENTS



TENSION RELEASE & THREAD TENSION COMPONENTS

No.	Supply Code	Parts No.	Replacement	Parts name	Remarks	Choice	Step	Level	Cons	Qty	Rep. QTY
1		40073660		AT SOLENOID						1	
2		SM6040802TP		SCREW M4X0.7 L=8						4	
3		RE0900000K0		E-RING 9						1	
4		40006625		SPRING						1	
5		40006617		AT_SOL_PIN						1	
6		40010477		AT_SOL_COLLAR						1	
7		SM8030412TP		SCREW						2	
8		40010479		AT_PLATE						1	
9		SM6040802TP		SCREW M4X0.7 L=8						2	
10		WP0430801SC		WASHER 4.3X9X0.8						2	
11		40032343		AT_DRIVE_LINK_F_ASM						1	
12		40023993		AT_PIVOT_BASE(F)						1	
13		SM6040860TP		SCREW M4 L=8						2	
14		40032345		AT_DRIVE_LINK_R_ASM						1	
15		40023999		AT_PIVOT_BASE(R)						1	
16		SM6040802TP		SCREW M4X0.7 L=8						2	
17		40010487		AT_PIVOT_SCREW						2	
18		NM6040003SC		NUT M4						2	
19		40010489		AT_PIVOT_SCREW_WASHER						4	
20		40010490		AT_PIVOT_BEARING						2	
21		40010497		AT_JOINT						2	
22		40010498		AT_JOINT_BEARING						2	
23		40010489		AT_PIVOT_SCREW_WASHER						2	
24	R	40010499	NM6030001SC	AT_JOINT_NUT						2	1.00
25		40006622		AT_SNAP_PIN						2	
26		40072111		AT CONNECTIONBAR						1	
27		40010503		THREAD_TENSION_1_ASM.						1	
28		22928808		NUT				*		1	
29		22921506		THREAD TENSION DISK				*		2	
30	R	40010504	40010503	THREAD_TENSION_SHAFT				*		1	1.00
31		26218602		FIRST THREAD TENSION SPRING				*		1	
32		40029411		THREAD_TENSION_2_ASM_H						1	
33	R	40010523	40010508	POST_BASE_C_RING				*		1	1.00
34		40010509		TENSION RELEASE PIN				*		1	
35		40010510		THREAD_TENSION_POST_BASE				*		1	
36		40010511		DISK_STOPPER HOLDER_CAP				*		1	
37		40010512		THREAD_TENSION_SHAFT_COLLAR				*		1	
38		40010513		DISK_STOPPER_SPRING				*		3	
39		40010514		DISK_STOPPER				*		1	
40		40010515		ASSY_THREAD_TENSION_POST				*		1	
41		40010478		AT_SOL_COLLAR_SCREW				*		1	
42		40029412		THREAD_TAKE-UP_SPRING_H				*	☆	1	
43		40010521		HOLD_CAP_SCREW				*		3	
44		40010522		SHAFT_NUT				*		1	
45		WP0510516SD		WASHER 5.1X7.5X0.5						2	
46		B1228232000		OIL FELT						2	

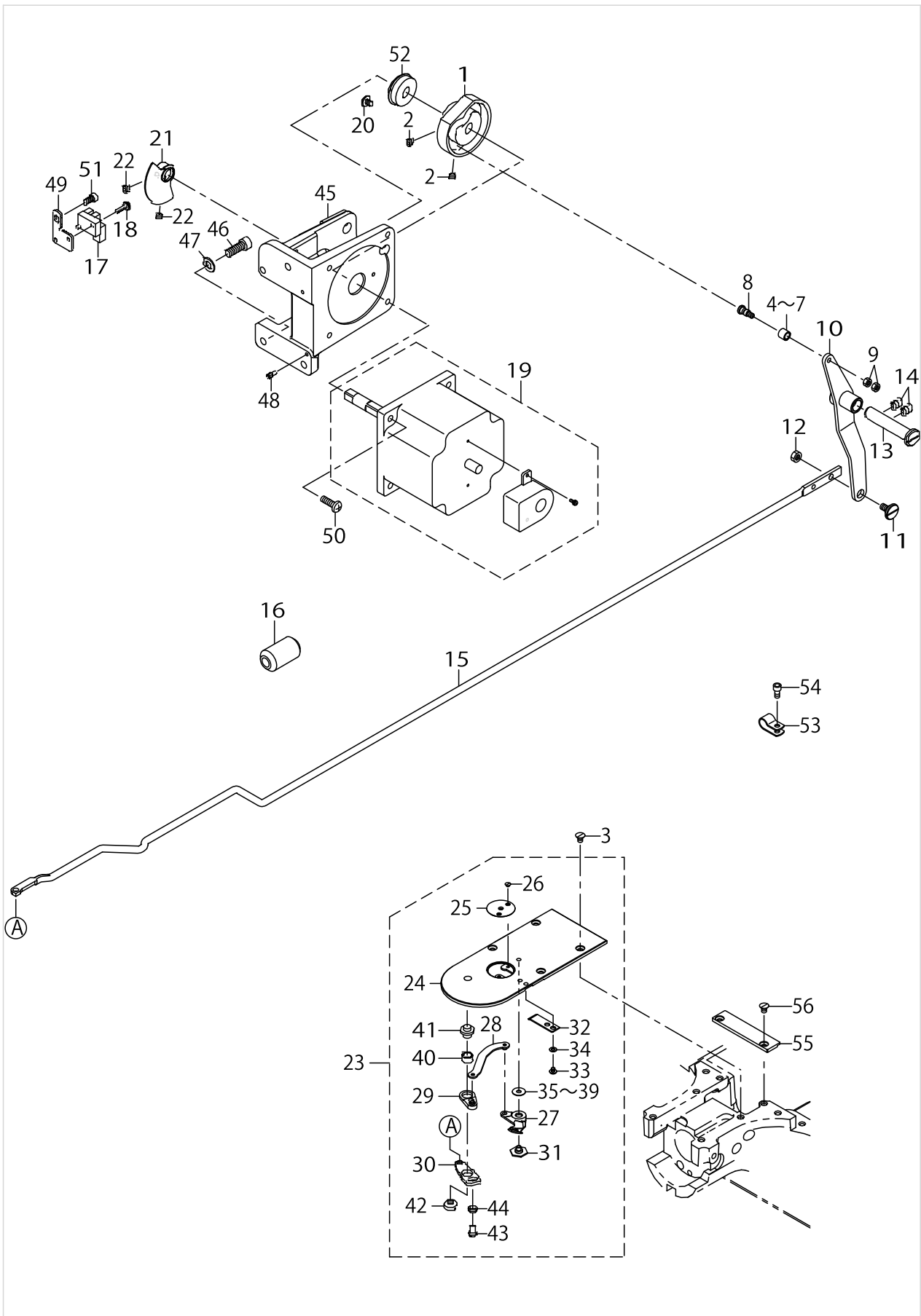
TENSION RELEASE & THREAD TENSION COMPONENTS



TENSION RELEASE & THREAD TENSION COMPONENTS

No.	Supply Code	Parts No.	Replacement	Parts name	Remarks	Choice	Step	Level	Cons	Qty	Rep. QTY
47		SM8061612TP		SCREW M6X16						1	

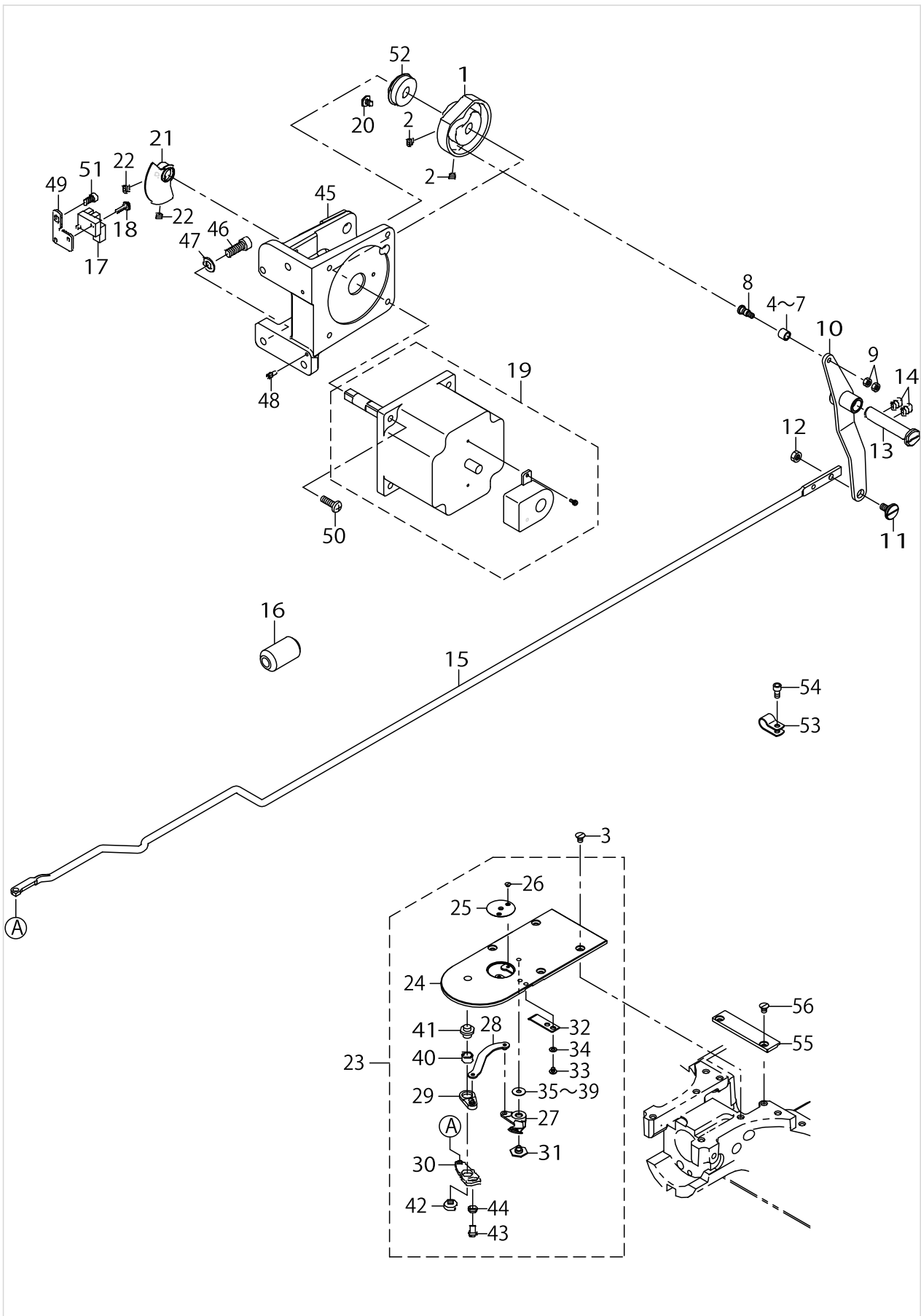
THREAD TRIMMER MECHANISM COMPONENTS



THREAD TRIMMER MECHANISM COMPONENTS

No.	Supply Code	Parts No.	Replacement	Parts name	Remarks	Choice	Step	Level	Cons	Qty	Rep. QTY
1		40030936		THREAD_TRIMMER_CAM						1	
2		SM8050592TP		SCREW						2	
3		SM1040650TP		SCREW						4	
4		23517501		NEEDLE CAM ROLLER A	SELECTIVE PARTS					1	
5		23517600		NEEDLE CAM ROLLER B	SELECTIVE PARTS					1	
6		23517709		NEEDLE CAM ROLLER C	SELECTIVE PARTS					1	
7		23517808		NEEDLE CAM ROLLER D	SELECTIVE PARTS					1	
8		40040256		ROLLER_SHAFT						1	
9		NM6040001SP		NUT M4X0.7						2	
10		40072228		THREAD_TRIMMER_LINK_ASM						1	
11		SD0800327TP		SHOULDER SCREW						1	
12		NM6050001SP		NUT M5						1	
13		40023624		THREAD_TRIMMER_SHAFT						1	
14		SM8060812TP		SCREW M6 L=8						2	
15		40072107		THREAD TRIMMER CONNECTING BAR						1	
16		HN002840000		CORES	FOR JE					1	
17		HD00057000A		PHOTO SENSOR						1	
18		SL4031091SC		SCREW M3X10						1	
19		40103968		ENCODER MOTOR ASM.(TC)						1	
20		SM6040650TP		SCREW						1	
21		40006666		SENSOR_SLIT_ASM						1	
22		SM8050592TP		SCREW						2	
23		40173342		NEEDLE_PLATE_ASM	TYPE H					1	
24		40135369		NEEDLE PLATE				*		1	
25		14439608		NEEDLE HOLE GUIDE D=3				*		1	
26		SS1060210TP		SCREW 3/32-56 L=2.2				*		2	
27		14440309		MOVING KNIFE				*		1	
28		14440457		MOVING KNIFE LINK COMPL.				*		1	
29		14440556		LEVER TYPE COMPL.				*		1	
30		B24142800A0		THREAD CUTTER LEVER ASM.				*		1	
31		40173343		MOVING_KNIFE_HINGE_SCREW				*		1	
32		40135370		FIXING KNIFE				*		1	
33		SM4030301SC		SCREW M3X0.5 L=3				*		2	
34		WP0320500SC		WASHER M3				*		2	
35		B242328000A		MOVING KNIFE WASHER A	SELECTIVE PARTS			*		1	
36		B242328000B		MOVING KNIFE WASHER B	SELECTIVE PARTS			*		1	
37		B242328000C		MOVING KNIFE WASHER C	SELECTIVE PARTS			*		1	
38		B242328000D		MOVING KNIFE WASHER D	SELECTIVE PARTS			*		1	
39		B242328000E		MOVING KNIFE WASHER E	SELECTIVE PARTS			*		1	
40		B2416280000		THREAD CUTTING LEVER RING				*		1	
41		B2417280000		THREAD CUTTER LEVER SHAFT				*		1	
42		SS6110430TP		SCREW 11/64-40 L= 4.0				*		1	
43		SS7110740TP		SCREW 11/64-40 L=7				*		1	
44		WP0450846SP		WASHER				*		1	
45		40072211		MOTOR_BASE						1	
46		SM6061802TP		SCREW M6 L=18						3	

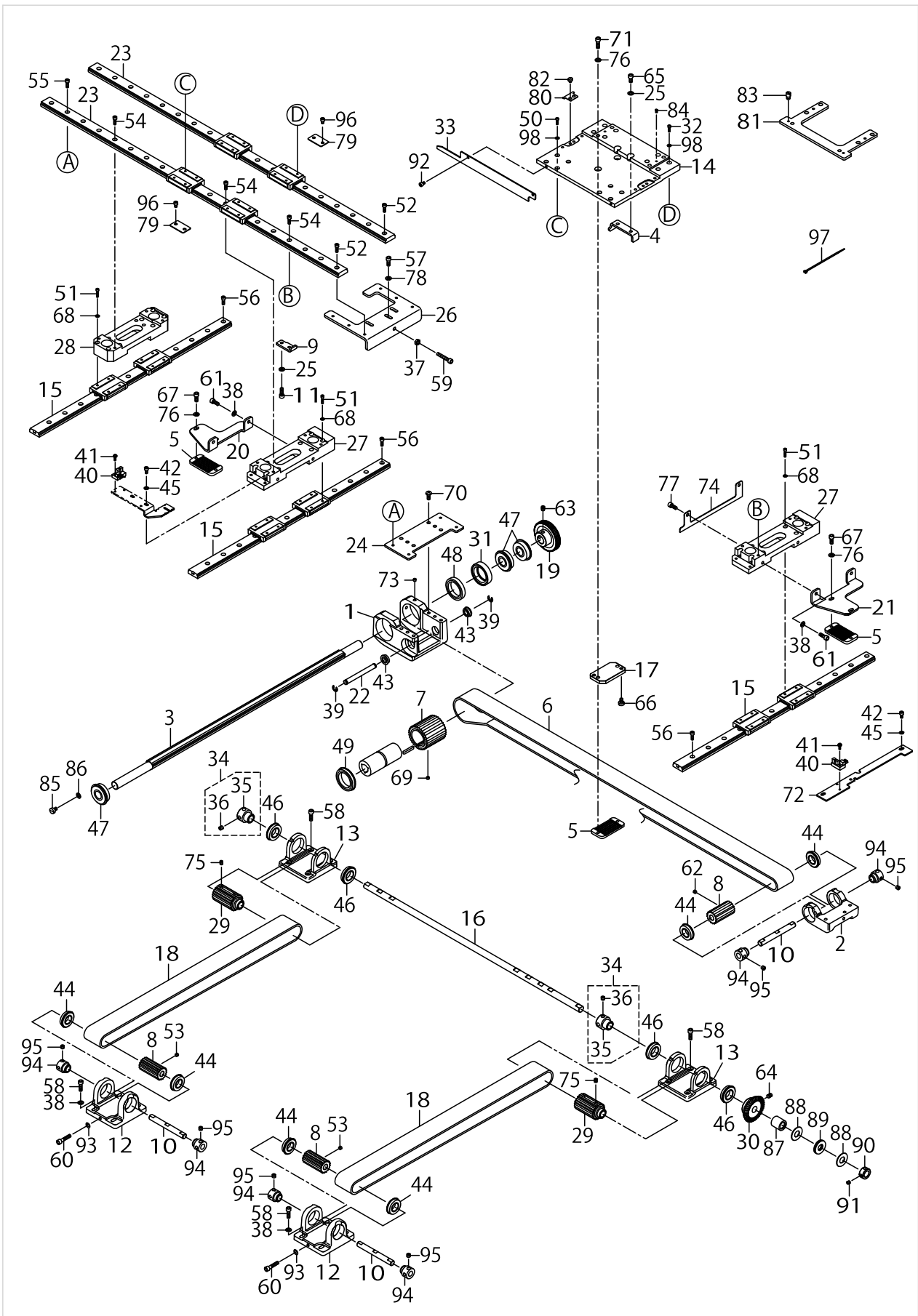
THREAD TRIMMER MECHANISM COMPONENTS



THREAD TRIMMER MECHANISM COMPONENTS

No.	Supply Code	Parts No.	Replacement	Parts name	Remarks	Choice	Step	Level	Cons	Qty	Rep. QTY
47		WP0651001SC		WASHER						3	
48		B1816215P00		GUIDE PIN						2	
49		40010443		SENSOR_INSTALLING_BASE						1	
50		SM4051655SP		SCREW M5 L=16						4	
51		SM6040802TP		SCREW M4X0.7 L=8						1	
52		SB110002400		BEARING						1	
53		HX00150000C		CABLE CLIP						1	
54		SM6040802TP		SCREW M4X0.7 L=8						1	
55		40173339		NEEDLE_PLATE_SUPPORTER						1	
56		SM1040650TP		SCREW						2	

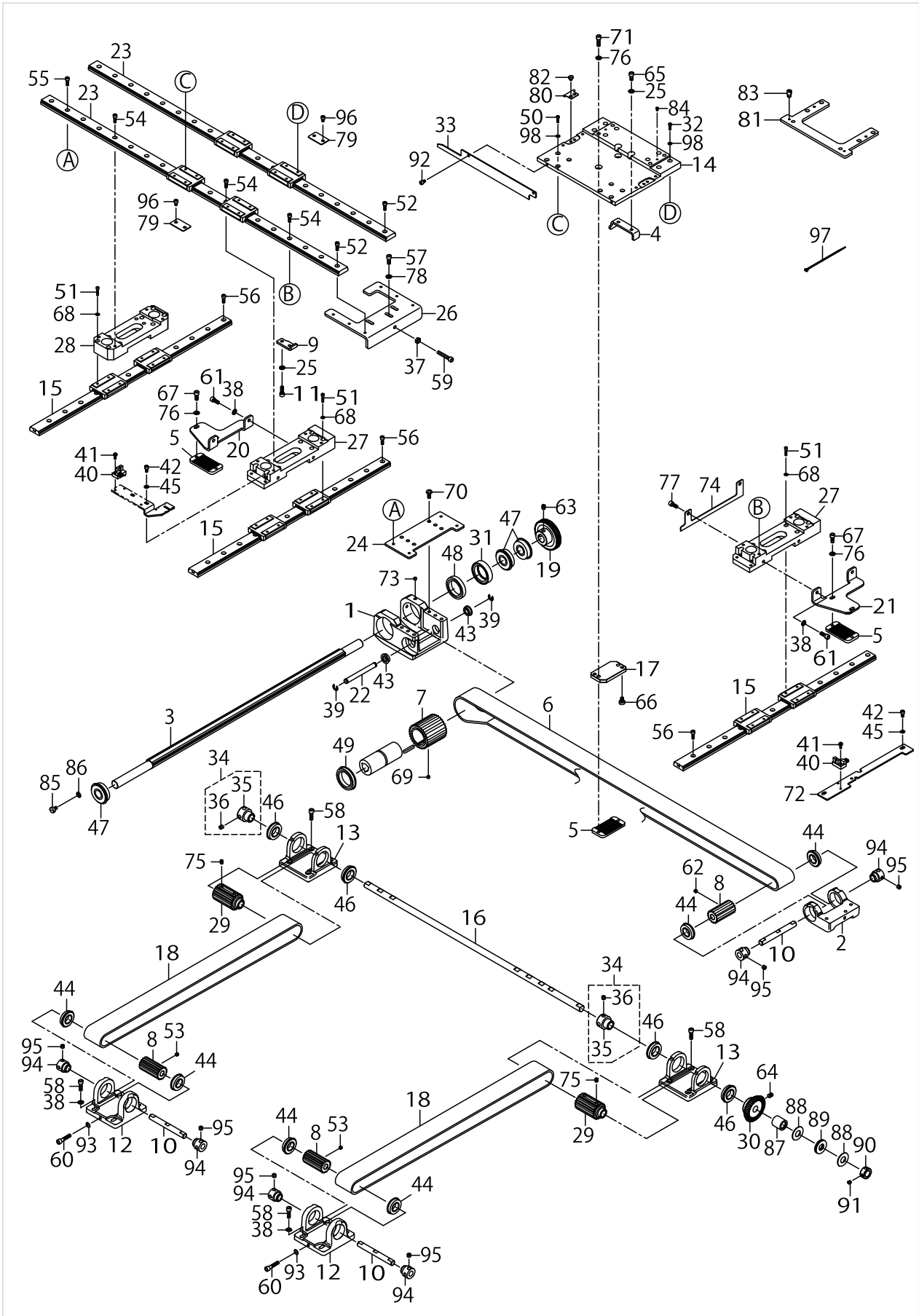
X-Y COMPONENTS (1)



X-Y COMPONENTS (1)

No.	Supply Code	Parts No.	Replacement	Parts name	Remarks	Choice	Step	Level	Cons	Qty	Rep. QTY
1		40072160		X_DRIVE_BRACKET						1	
2		40072113		X DRIVEN BRACKET						1	
3		40072115		X DRIVE SPLINE SHAFT						1	
4		40072130		X STOPPER A 4530						1	
5		40072166		BELT RECEIVER						3	
6		40072169		X TIMING BELT(4530)						1	
7		40072167		X DRIVE SPROCKET						1	
8		40072168		DRIVEN SPROCKET						3	
9		40072152		X STOPPER B 4530						1	
10		40072226		DRIVEN_SHAFT						3	
11		SM6051402TP		SCREW M5X0.8 L=14						2	
12		40072114		Y DRIVEN BRACKET						2	
13		40072112		Y DRIVE BRACKET						2	
14		40072116		X FEED BASE						1	
15		40072117		Y-LM GUIDE						3	
16		40072118		Y DRIVE SHAFT						1	
17		40072119		X BELT PRESSER FIX PLATE						1	
18		40072171		Y TIMING BELT						2	
19		B2534223C00		X DRIVEN WHEEL						1	
20		40072129		Y BELT PRESSER FIX PLATE LEFT						1	
21		40072128		Y BELT PRESSER FIX PLATE RIGHT						1	
22		B2539223C00		X IDLER SHAFT						1	
23		40072120		X-LM GUIDE(4530)						2	
24		40072122		X DRIVE BRACKET BASE						1	
25		WP0531000SD		WASHER M5						4	
26		40072156		X DRIVEN BRACKET BASE 4530						1	
27		40072124		Y FEED BASE A						2	
28		40072125		Y FEED BASE B						1	
29		40072126		Y DRIVE SPROCKET						2	
30		B2548223C00		Y DRIVEN WHEEL						1	
31		B2549223C00		COLLAR						1	
32		SM6031002TP		HEXAGONAL BOLT M3X10						8	
33		40072131		X SLIT PLATE 4530						1	
34		40086384		BEARING SUPPORT ASM.						2	
35		23618606		BEARING SUPPORT				*		1	
36		SS8660612TP		SCREW 1/4-40 L=6				*		2	
37		NM6050001SP		NUT M5						1	
38		WP0531000SD		WASHER M5						12	
39		RE0600000K0		E-RING 6						2	
40		HD00057000A		PHOTO SENSOR						2	
41		SL4031091SC		SCREW M3X10						2	
42		SM6040802TP		SCREW M4X0.7 L=8						4	
43		SB108000500		RADIAL BEARING						2	
44		SB115000600		BALL BEARING						6	
45		WP0430800SD		WASHER M4						4	
46		SB117000900		BEARING						4	

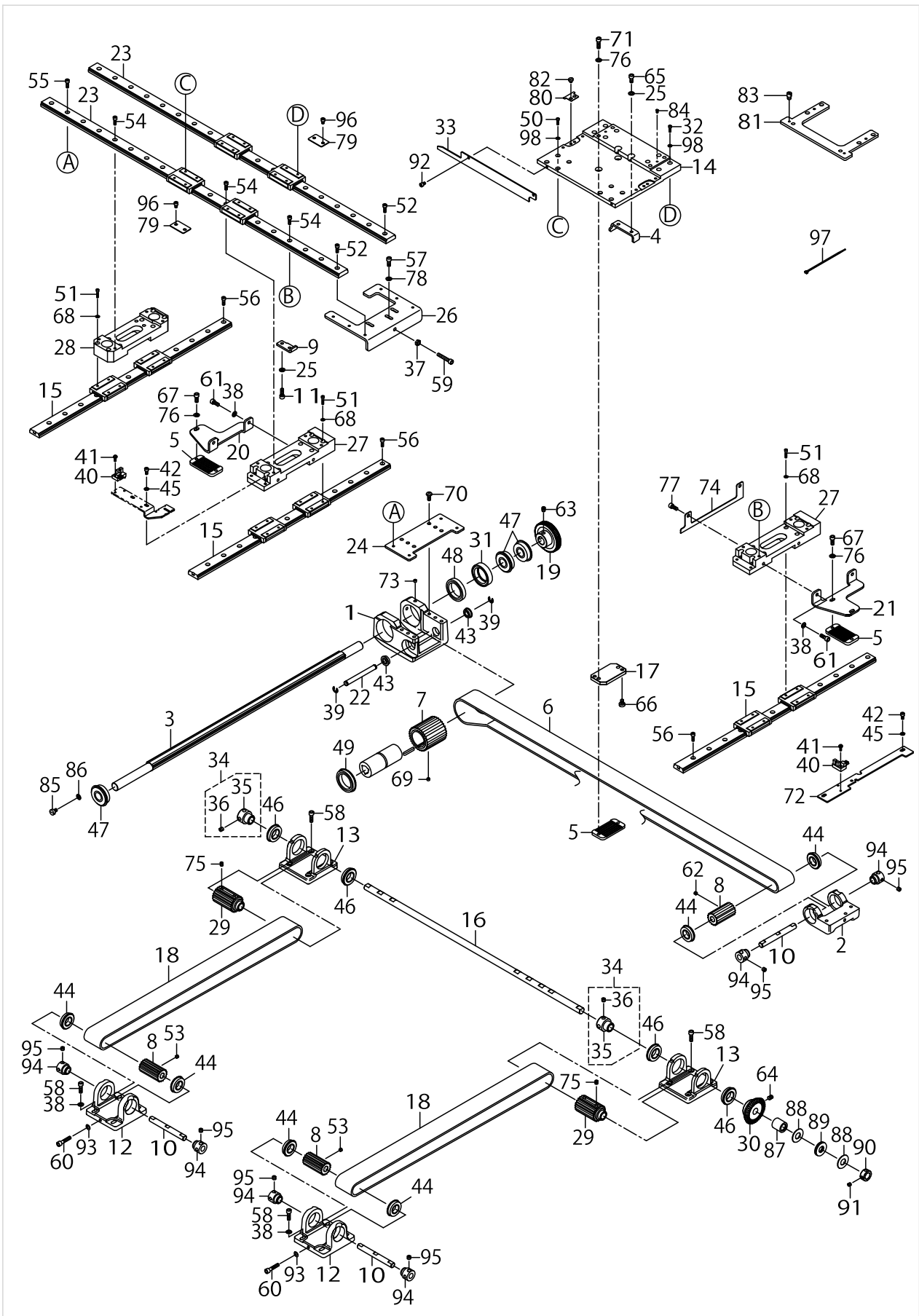
X-Y COMPONENTS (1)



X-Y COMPONENTS (1)

No.	Supply Code	Parts No.	Replacement	Parts name	Remarks	Choice	Step	Level	Cons	Qty	Rep. QTY
47		B1802180000		BUSHING FRONT						3	
48		SB130000200		BEARING						1	
49		SB130000300		BEARING						1	
50		SM6030602TP		SCREW M3X0.5 L=6						8	
51		SM6031402TP		SCREW						24	
52		SM6041202TP		SCREW M4X0.7 L=12						6	
53		SM8050412TP		SCREW M5 L=4						4	
54		SM6041202TP		SCREW M4X0.7 L=12						12	
55		SM6041202TP		SCREW M4X0.7 L=12						4	
56		SM6041202TP		SCREW M4X0.7 L=12						21	
57		SM6051202TP		SCREW M5X0.8 L=12						3	
58		SM6051602TP		SCREW M5X0.8 L=16						16	
59		SM6053052TN		SCREW						1	
60		SM6052502TP		SCREW M5X0.8 L=25						2	
61		SM6051202TP		SCREW M5X0.8 L=12						4	
62		SM8050412TP		SCREW M5 L=4						2	
63		SM8060802TP		SCREW M6 L=8						2	
64		SM8060812TP		SCREW M6 L=8						2	
65		SM6051002TP		SCREW M5X0.8 L=10						2	
66		SM6050800SP		SCREW M5 L=8						2	
67		SM6051202TP		SCREW M5X0.8 L=12						4	
68		WP0320501SD		WASHER						24	
69		SM8050412TP		SCREW M5 L=4						2	
70		SM4051255SP		SCREW M5 L=12						6	
71		SM6051602TP		SCREW M5X0.8 L=16						2	
72		40072209		YSENSOR INSTALLING PLATE						1	
73		SM8050412TP		SCREW M5 L=4						2	
74		40072133		Y SLIT PLATE						1	
75		SM8050612TP		SCREW M5X6						8	
76		WP0531000SD		WASHER M5						6	
77		SM6050652TP		HEXAGON SOCKET HEAD SCREW M5X6						2	
78		WP0531000SD		WASHER M5						3	
79		B4022221D00		FLAT CABLE CLAMP						2	
80		B1158224C00		COVER PRESSER						2	
81		40072127		LOWER PLATE INSTALLING PLATE						1	
82		SM6040450TP		SCREW M4 L=4						4	
83		B151902600G		HINGE STUD						2	
84		B1816280000		GUIDE PIN						2	
85		SM6050800SP		SCREW M5 L=8						1	
86		WP0531000SD		WASHER M5						1	
87		SB312000600		BEARING						1	
88		13887005		THRUST WASHER						2	
89		SB612000100		BEARING						1	
90		CS1200981TP		THRUST COLLAR D=12 W=9						1	
91		SM8050592TP		SCREW						2	
92		SM6040602TP		SCREW M4 L=6						2	

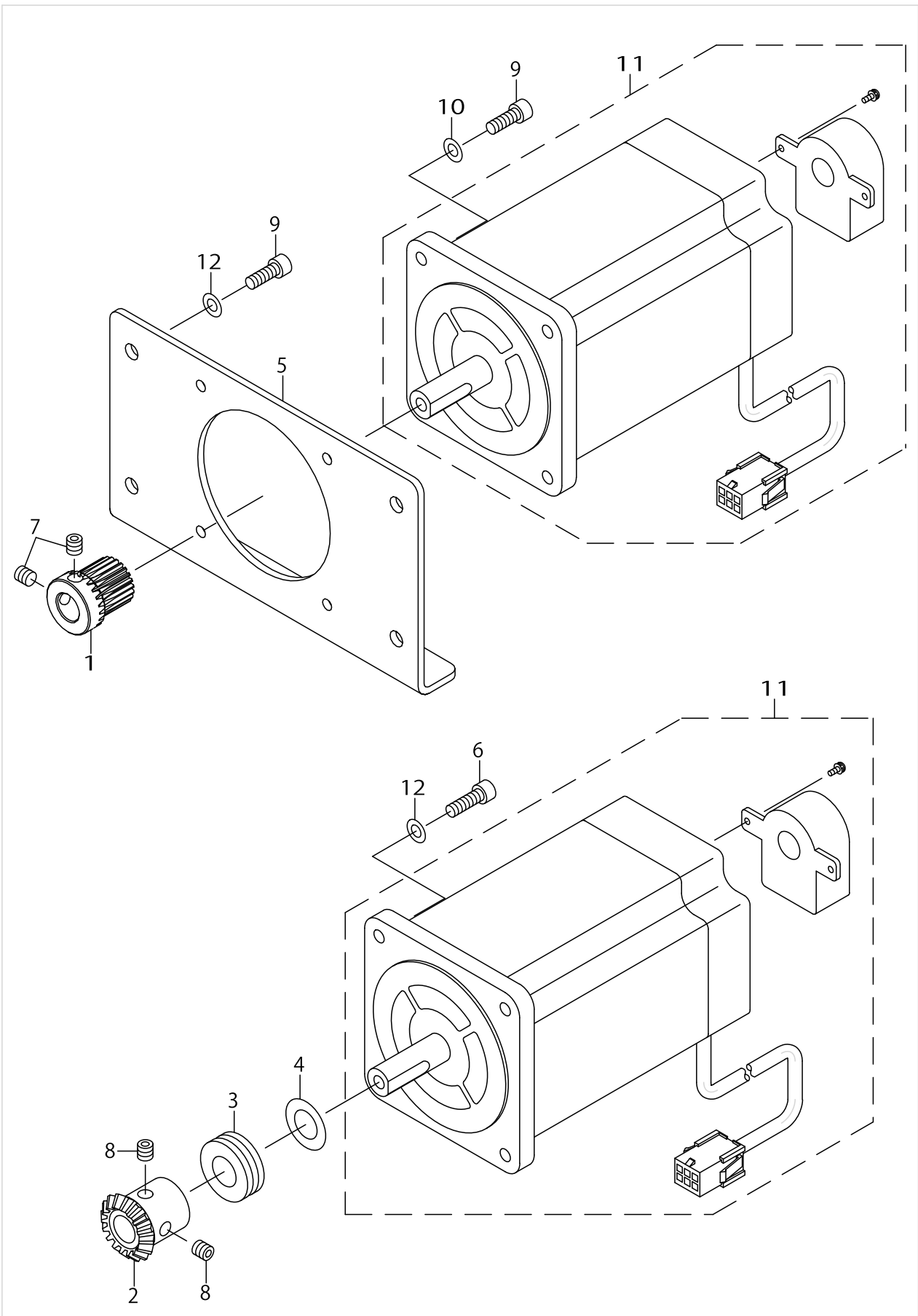
X-Y COMPONENTS (1)



X-Y COMPONENTS (1)

No.	Supply Code	Parts No.	Replacement	Parts name	Remarks	Choice	Step	Level	Cons	Qty	Rep. QTY
93		WP0531000SD		WASHER M5						2	
94		40072227		BEARING_BUSH						6	
95		SM8060552TP		SCREW M6 L=5						12	
96		SM6040602TP		SCREW M4 L=6						4	
97		EA9500B0100		CABLE BAND						3	
98		WP0320501SD		WASHER						16	

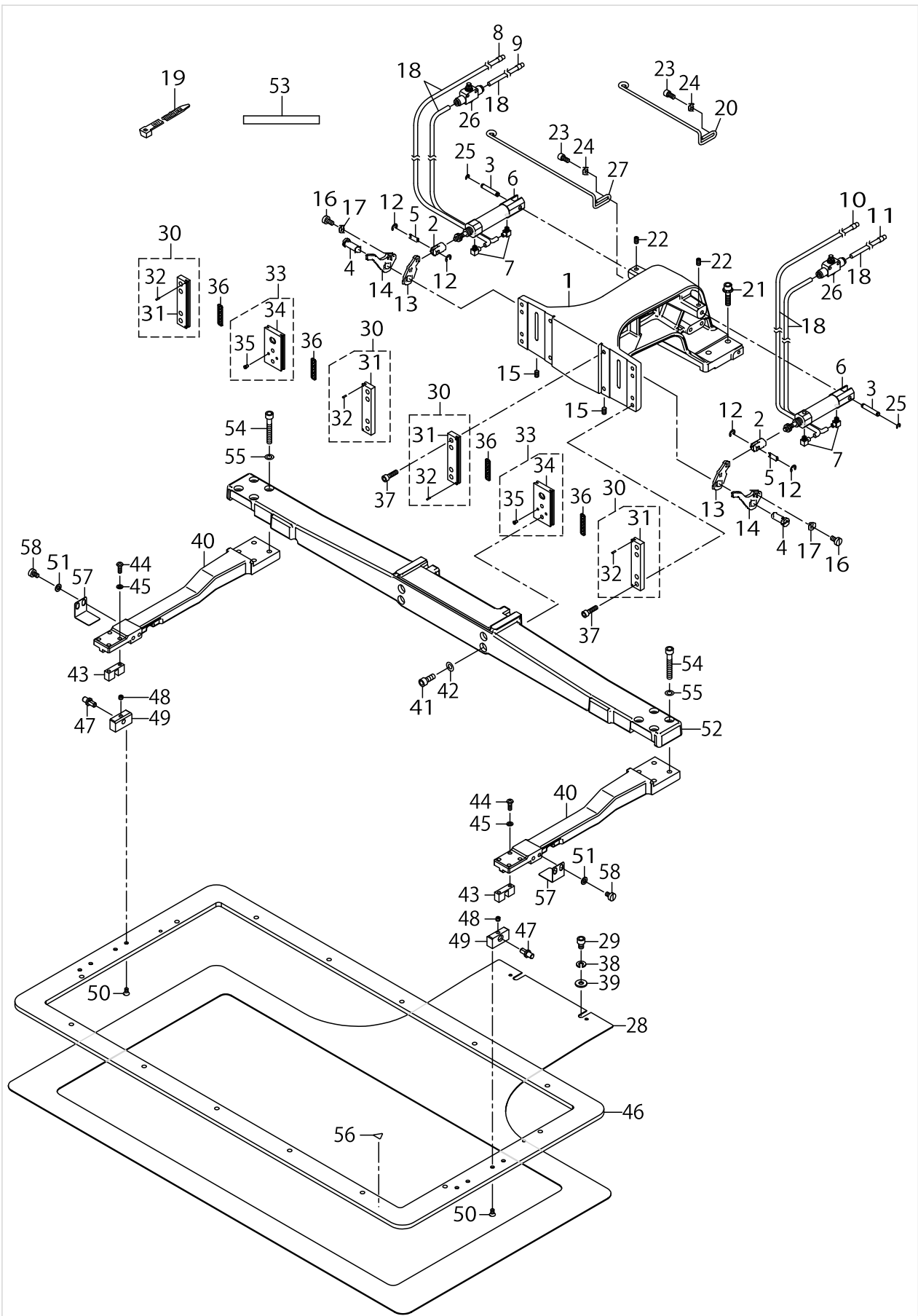
X-Y COMPONENTS (2)



X-Y COMPONENTS (2)

No.	Supply Code	Parts No.	Replacement	Parts name	Remarks	Choice	Step	Level	Cons	Qty	Rep. QTY
1		B2525223C00		X DRIVE WHEEL						1	
2		B2526223C00		Y DRIVE WHEEL						1	
3		SB412000100		BEARING						1	
4		B2537221D00		Y DRIVE WHEEL SPACER						3	
5		40072155		X MOTOR INSTALLING PLATE						1	
6		SM6051602TP		SCREW M5X0.8 L=16						4	
7		SM8060602TP		SCREW M6X6						2	
8		SM8060602TP		SCREW M6X6						2	
9		SM6051402TP		SCREW M5X0.8 L=14						8	
10		WP0531000SD		WASHER M5						4	
11		40104419		ENCODER MOTOR ASM.(X-Y)						2	
12		WP0531000SD		WASHER M5						8	

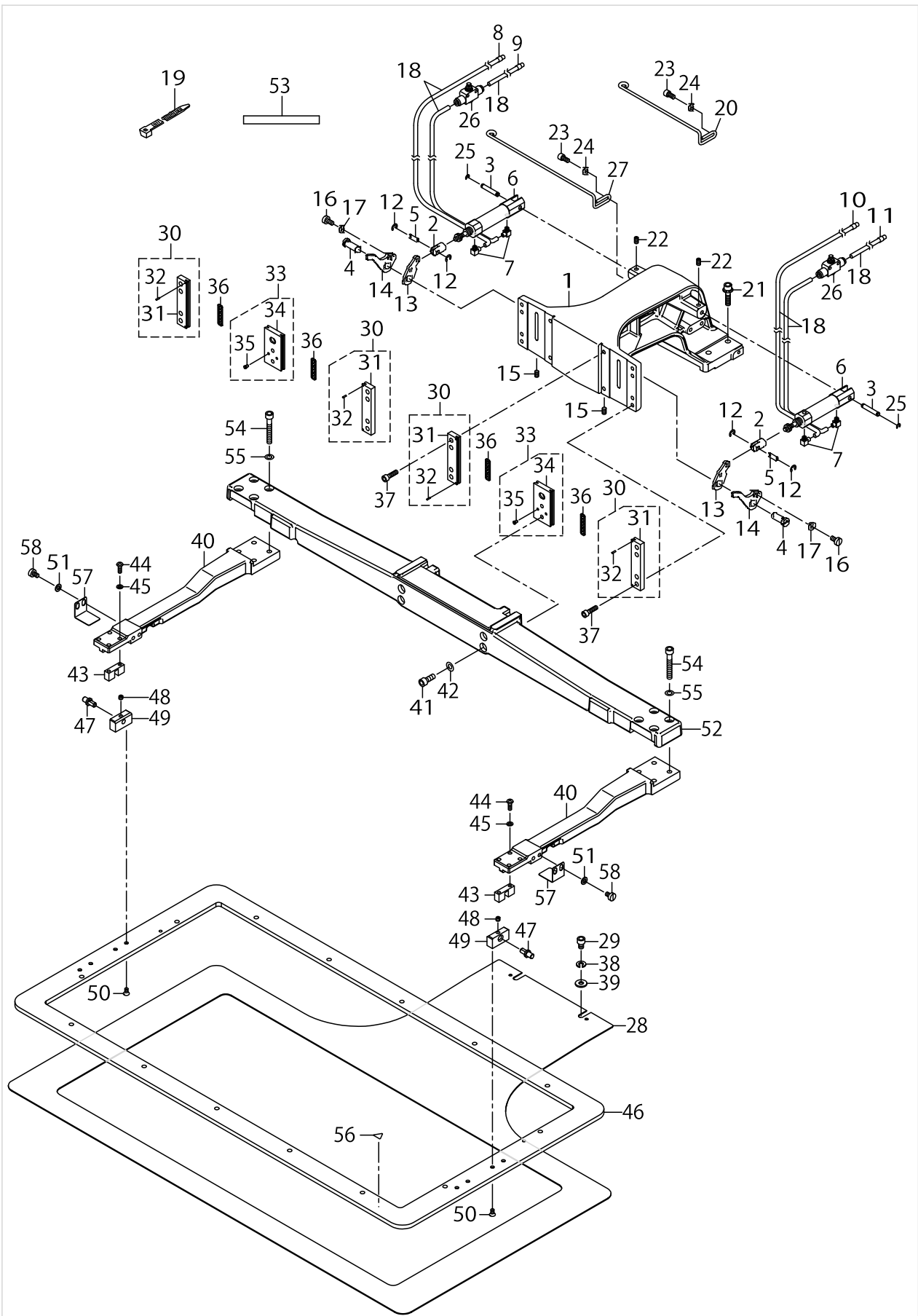
CLOTH FEED MECHANISM COMPONENTS



CLOTH FEED MECHANISM COMPONENTS

No.	Supply Code	Parts No.	Replacement	Parts name	Remarks	Choice	Step	Level	Cons	Qty	Rep. QTY
1		40072135		CLOTH FEED BASE						1	
2		40023644		CYLINDER KNUCKLE						2	
3		B1504210000		CONNECTING SHAFT						2	
4		26023408		FEED STUD						2	
5		40023635		CYLINDER PIN						2	
6		PA1602509A0		AIR CYLINDER						2	
7		PJ046052503		HOSE ELBOW						4	
8		B471122000C		AIR TUBE LABEL J03 LEFT						1	
9		B471122000D		AIR TUBE LABEL J04 LEFT						1	
10		B471122000G		AIR TUBE LABEL J03 RIGHT						1	
11		B471122000H		AIR TUBE LABEL J04 RIGHT						1	
12		RE0300000K0		E-RING 3						4	
13		40032229		LIFTING_LEVER_A						2	
14		40085820		LIFTING_LEVER_B						2	
15		SM8050812TP		SCREW M5X8						2	
16		SM6051000SP		SCREW						2	
17		WP0531000SD		WASHER M5						2	
18		BT0400251EB		URETHANE HOSE BLACK						4	
19		HX002330000		CLIP						10	
20		B2568223C00		AIR TUBE SUPPORT						1	
21		SL6062592TN		SCREW						4	
22		SM8050812TP		SCREW M5X8						2	
23		SM6051002TP		SCREW M5X0.8 L=10						4	
24		WP0531000SD		WASHER M5						4	
25		RE0320000K0		E-RING 3.2						2	
26		PC012401000		SPEED CONTROLLER						2	
27		B2568224C00		AIR TUBE SUPPORT A						1	
28		40072136		LOWER PLATE 4530						1	
29		SM6060802TP		SCREW M6 L=8						2	
30		B2567223CA0		WORK CLAMP FOOT PLATE B ASM.						4	
31	R	B2567223C00	B2567223CA0	WORK CLAMP FOOT PLATE B				*		4	1.00
32		PS0150065KP		SPRING PIN 1.5X6				*		8	
33		40085830		SLIDE_PLATE_ASM.						2	
34		40085824		SLIDE_PLATE				*		2	
35		B1816280000		GUIDE PIN				*		4	
36		B2569229000		SLIDING PLATE BEARING						4	
37		SM6051802TP		SCREW M5 L=18						12	
38		WS0610002KP		SPRING WASHER						2	
39		WP0611626SP		WASHER 15X6X1.6						2	
40		40072163		FEEDING_FRAME_ARM_B						2	
41		SM6061602TP		SCREW M6 L=16						4	
42		WP0641600SC		WASHEW6.4X12.5X1.6						4	
43		40051770		FEEDING FRAME BALL CATCH						2	
44		SM4041255SP		SCREW M4 L=12						4	
45		WP0430800SD		WASHER M4						4	
46		40072138		FEEDING FRAME 4530						1	

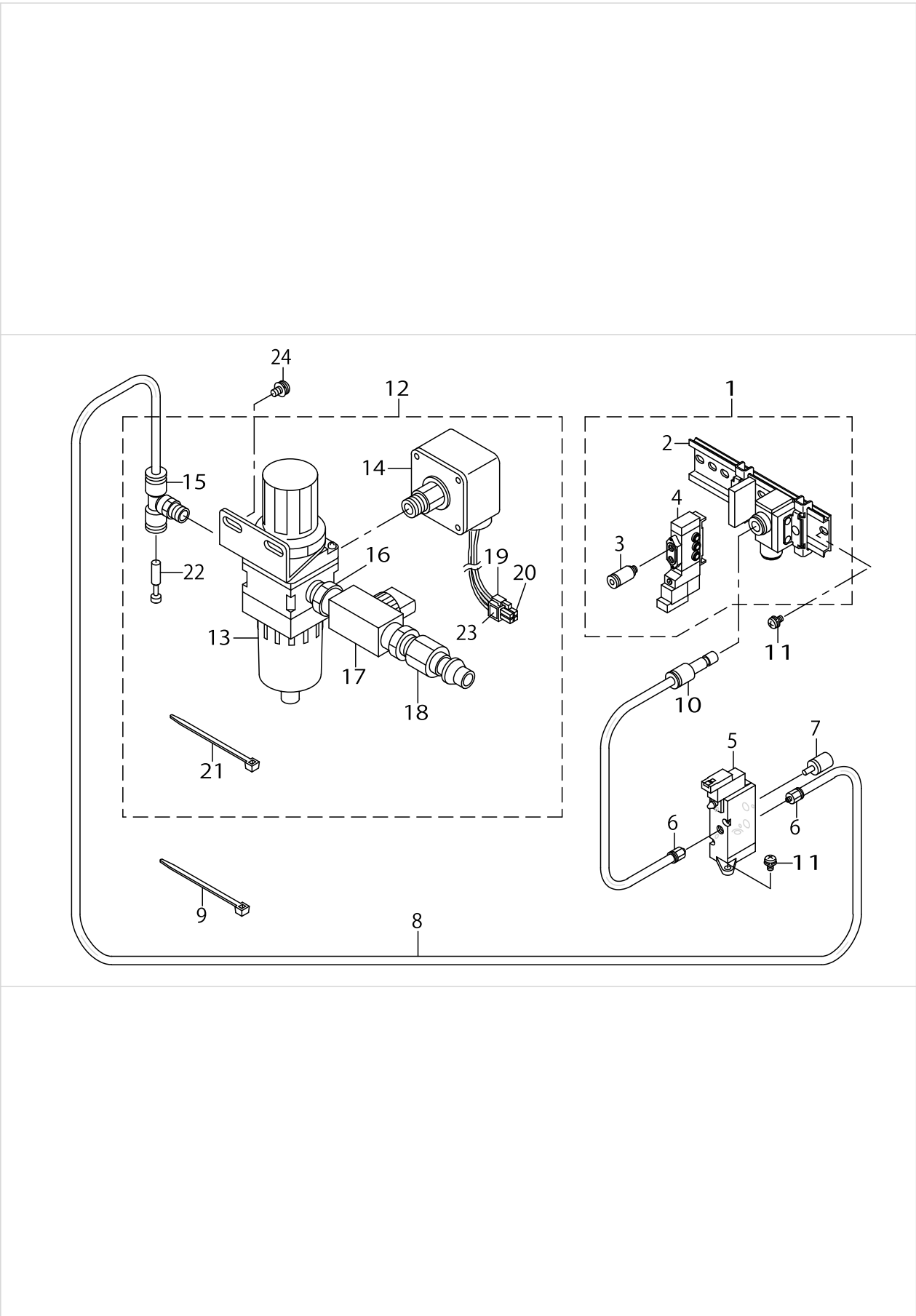
CLOTH FEED MECHANISM COMPONENTS



CLOTH FEED MECHANISM COMPONENTS

No.	Supply Code	Parts No.	Replacement	Parts name	Remarks	Choice	Step	Level	Cons	Qty	Rep. QTY
47		B2560220000		SUPPORT PIN						2	
48		SM8050412TP		SCREW M5 L=4						2	
49		40051769		FEEDING FRAME S- UPPORT BEARING						2	
50		SM1040870TP		SCREW						4	
51		WP0531000SD		WASHER M5						4	
52		40072161		FEEDING_FRAME_ARM_A_4530						1	
53		HX00364000E		PARTS						1.2	
54		SM6062502TN		HEXAGONAL-HOLE BOLT						8	
55		WP0641600SC		WASHEW6.4X12.5X1.6						8	
56		CM300200001		ATTENTION SEAL						1	
57		B2563215000		FEEDING FRAME HOLDING PLATE						2	
58		SM6050800SP		SCREW M5 L=8						4	

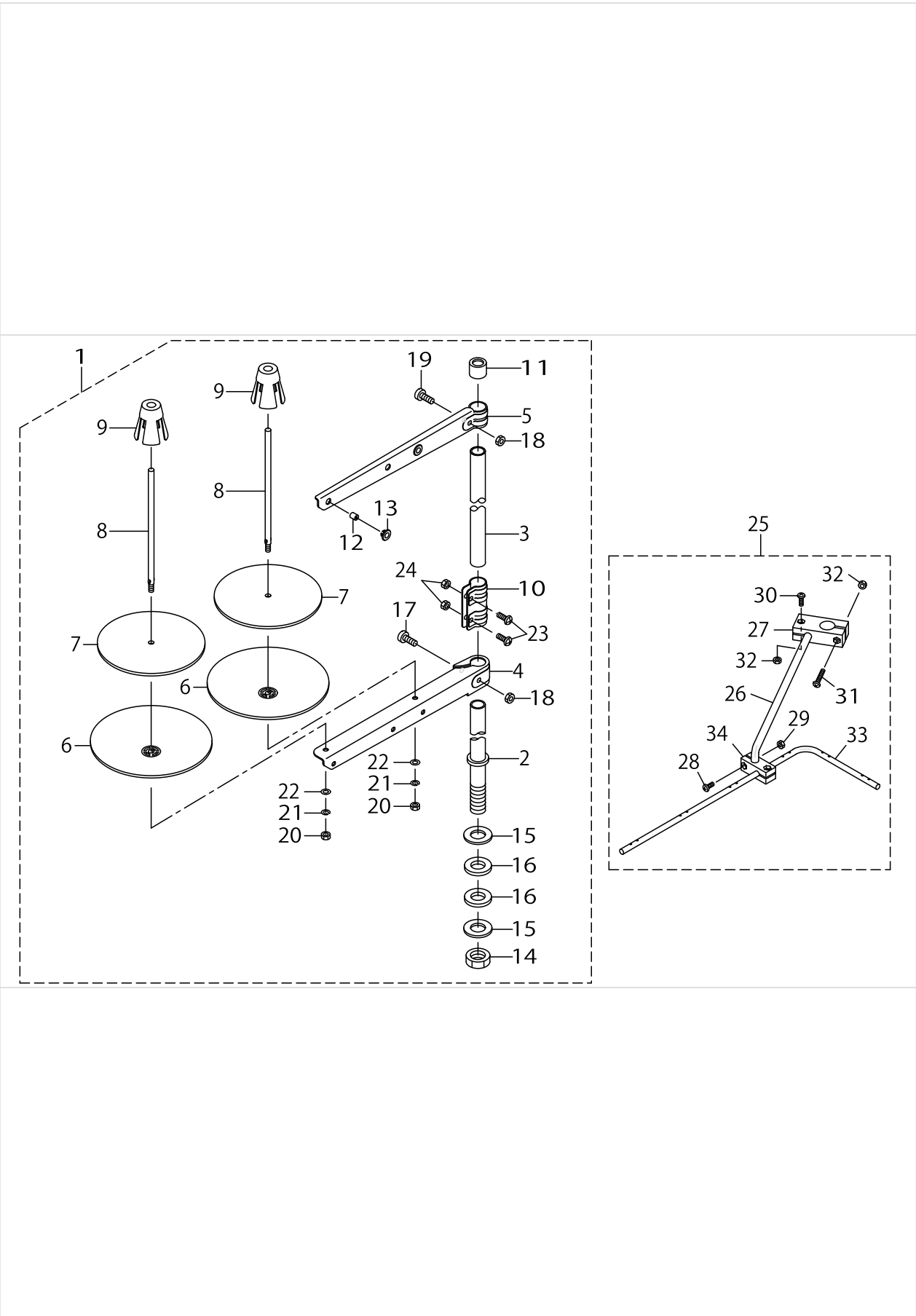
PNEUMATIC COMPONENTS



PNEUMATIC COMPONENTS

No.	Supply Code	Parts No.	Replacement	Parts name	Remarks	Choice	Step	Level	Cons	Qty	Rep. QTY
1		40072220		SOLENOID_VALVE_ASM						1	
2		PV915005000		SOLENOID VALVE I- NSTALLING BASE				*		1	
3		PJ301040505		HALF UNION				*		2	
4		PV150209100		SOLENOID VALVE				*		1	
5		PV1351270A0		3-WAY SOLENOID VALVE						1	
6		PJ301065103		HALF UNION 6XPT1/8						2	
7		PX055104000		SILENCER (PT1/8)						1	
8		BT0600401EB		TUBE						1.1	
9		EA9500B0100		CABLE BAND						1	
10		PJ301060003		REDUCER						1	
11		SL4040891SC		SCREW M4 L=8						4	
12		B47152150A0		FILTER REGULATOR ASM.						1	
13		PF0552040B0		FILTER REGULATOR				*		1	
14	R	G8124270000	G85048750A0	AIRPRESSUESWITCH		A	AVP-875	*		1	1.00
14	R	G8124270000	40030951	AIRPRESSUESWITCH		B	AMS-210E- N,AMS-221EN	*		1	1.00
14	R	G8124270000	B47152150A0	AIRPRESSUESWITCH		C	MEB-3200,- LK-1910/2- 0/30/41,AMS-224E	*		1	1.00
15		PJ305065202		TEE				*		1	
16		PJ030520001		RING JOINT (NIPPLE)				*		1	
17	R	G5430116000	40030951	AIR COCK				*		1	1.00
18		PJ309005203		QUICK JOINT PLUG				*		1	
19		HK034610040		HOUSING				*		1	
20		HK034640000		PIN CONTACT				*		3	
21		EA9500B0100		CABLE BAND				*		5	
22		PX950009000		PLUG				*		1	
23	D	E2678453000		CONNECTOR MARKER J78				*		1	
24		SL4051091SC		SCREW M5X0.8 L=10						2	

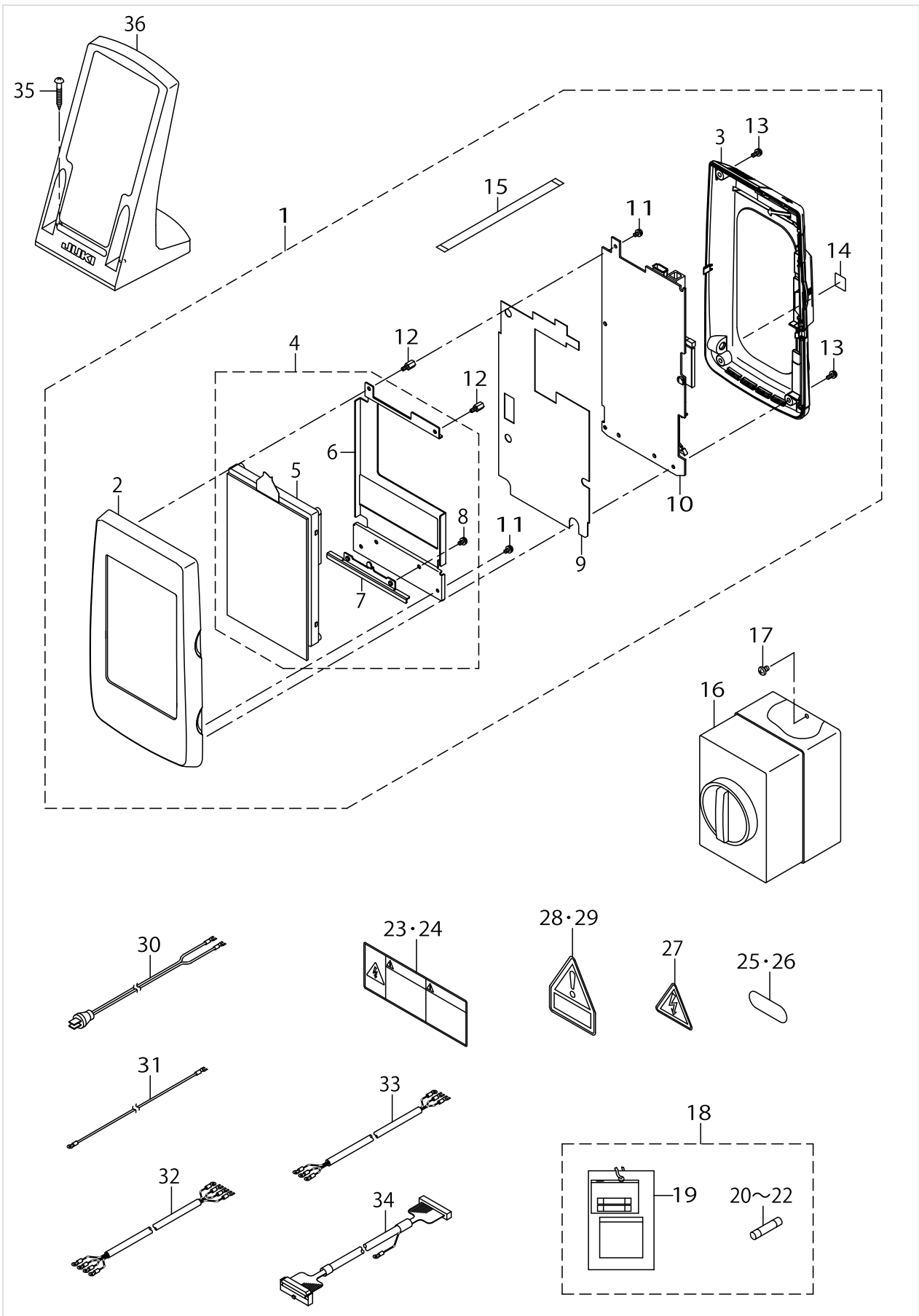
THREAD STAND COMPONENTS



THREAD STAND COMPONENTS

No.	Supply Code	Parts No.	Replacement	Parts name	Remarks	Choice	Step	Level	Cons	Qty	Rep. QTY
1		40096354		THREAD STAND ASM.						1	
2		40085784		SPOOL REST ROD LOWER				*		1	
3		40085785		SPOOL REST ROD UPPER				*		1	
4		40085786		SPOOL REST ARM LOWER				*		1	
5		40085787		SPOOL REST ARM UPPER				*		1	
6		40085788		SPOOL REST				*		2	
7		40085789		SPOOL REST CUSHION				*		2	
8		40085790		SPOOL PIN				*		2	
9		40085791		SPOOL RETAINER				*		2	
10		40085792		SPOOL REST ROD JOINT				*		1	
11		40085793		SPOOL REST ROD RUBBER CAP				*		1	
12		40085794		THREAD GUIDE				*		2	
13		40085795		THREAD GUIDE BUSHING				*		2	
14		40096325		SPOOL REST ROD NUT				*		1	
15		WP1612616SE		WASHER 16X30X2.6				*		2	
16		40085796		SPOOL REST ROD RUBBER CUSHION				*		2	
17		40096326		SPOOL REST ARM LOWER SCREW				*		1	
18		NM6050001SE		NUT M5				*		2	
19	R	40096327	SM4053001SE	SPOOL REST ARM UPPER SCREW				*		1	1.00
20		NM6050001SE		NUT M5				*		2	
21		WS0510002KN		SPRING WASHER M5				*		2	
22		WP0531001SC		WASHER M5				*		2	
23		SM4051405SE		SCREW M5 L=14				*		2	
24		NM6050001SE		NUT M5				*		2	
25		26910059		THREAD GUIDE ARM ASM.						1	
26	R	13168109	26910059	THREAD GUIDE ARM BASE				*		1	1.00
27	R	13168208	26910059	THREAD GUIDE ARM BASE				*		1	1.00
28		SM4041001SC		SCREW M4X0.7 L=10				*		2	
29		NM6040002SE		NUT M4X0.7				*		2	
30		SM4041201SC		SCREW M4 L=12				*		1	
31		SM4042001SC		SCREW M4X20				*		1	
32		NM6040002SE		NUT M4X0.7				*		2	
33	R	13167903	26910059	THREAD STANDING THREAD GUIDE				*		1	1.00
34	D R	13168000	26910059	THREAD GUIDE BASE LOWER				*		1	1.00

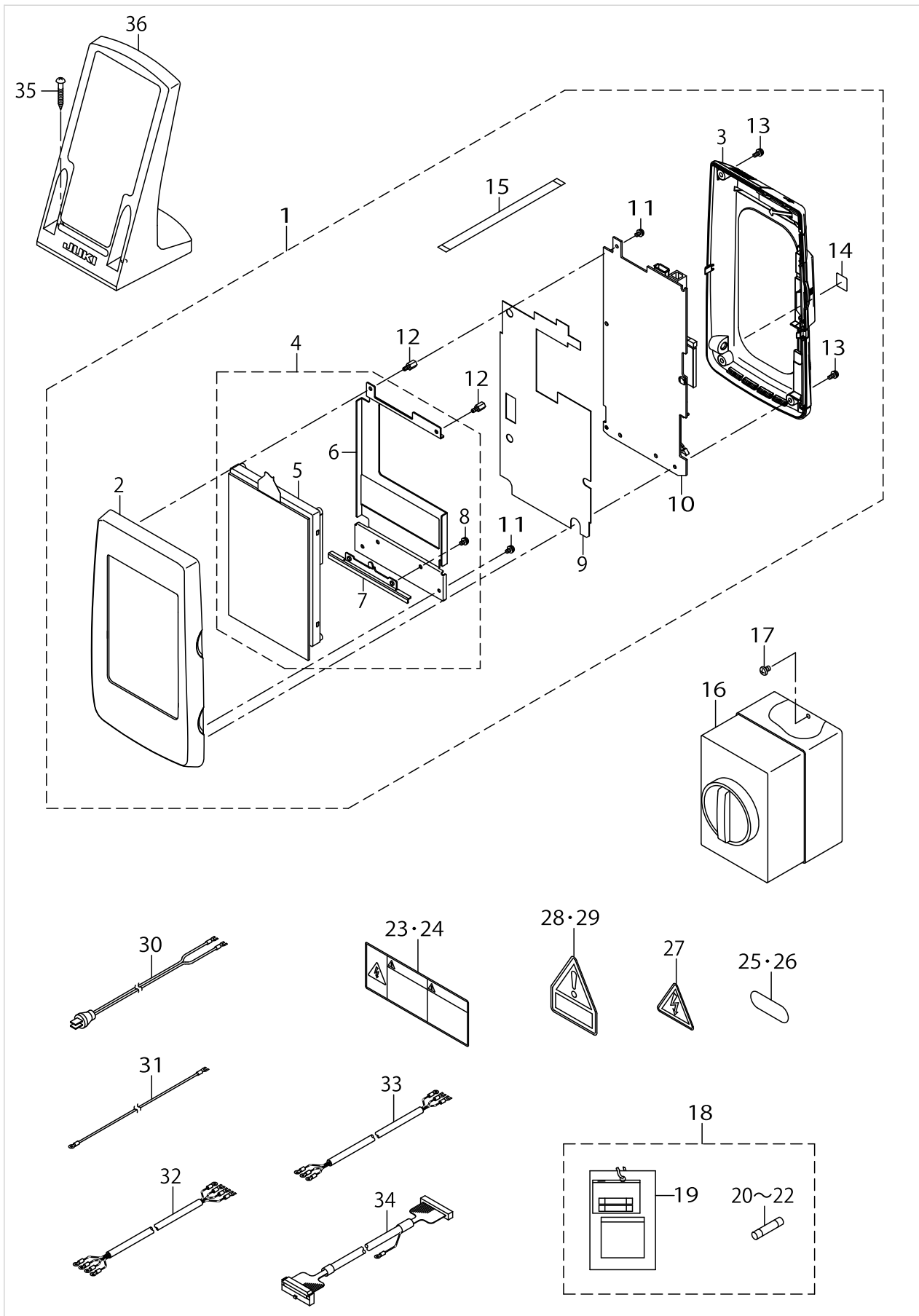
OPERATION PANEL COMPONENTS



OPERATION PANEL COMPONENTS

No.	Supply Code	Parts No.	Replacement	Parts name	Remarks	Choice	Step	Level	Cons	Qty	Rep. QTY
1		40086485		IP-420F PANEL ASSY						1	
2		40078163		FRONT_CASE				*		1	
3		40080799		REAR_CASE_ASSY				*		1	
4		40080800		LCD_ASSY				*		1	
5		40086541		LCD TOUCH PANEL ASSY	TECHNICAL INFOMATI- ON (A16-029)			*		1	
6		40083668		LCD_BRACKET	TECHNICAL INFOMATI- ON (A16-029)			*		1	
7	R	40083666	40080800	LCD_STAY				*		1	1.00
8		SL4030681SC		SCREW M3 L=6				*		2	
9		40078168		INSULATION_SHEET				*		1	
10	R	40083960	40086541	PANEL PCB ASSY		A		*		1	1.00
10	R	40083960	40083668	PANEL PCB ASSY		A		*		1	1.00
10	R	40083960	40166481	PANEL PCB ASSY		A		*		1	1.00
10	R	40083960	40166318	PANEL PCB ASSY		A		*		1	1.00
10	R	40083960	HW002650330	PANEL PCB ASSY		A		*		1	1.00
11		SL4030681SC		SCREW M3 L=6				*		3	
12		HX00354000B		PCB SUPPORT L=8MM				*		2	
13		SL4030881SC		SCREW M3X8				*		4	
14		CM600100101		WEEE MARK LABEL S				*		1	
15	R	HW002180200	HW002650330	FLAT CABLE		A		*		1	1.00
15	R	HW002180200	40083668	FLAT CABLE		A		*		1	1.00
15	R	HW002180200	40086541	FLAT CABLE		A		*		1	1.00
15	R	HW002180200	40166481	FLAT CABLE		A		*		1	1.00
15	R	HW002180200	40166318	FLAT CABLE		A		*		1	1.00
16		HA005820000		SWITCH						1	
17		SL4041091SE		SCREW M4 L=10						2	
18		40074051		OPTION A ASSY						1	
19		M300451100A		VOLTAGE INDICATION CARD A				*		1	
20		HF00130315S		FUSE 3.15A 250V REF. NO.112				*		1	
21		HF003000200		FUSE 2A (220/240V)				*		1	
22		HF0013050P0		FUSE 5A				*		1	
23		CM300100401		LABEL 3 (LARGE)	FOR USE IN JAPAN(1-PHASE)					1	
24		CM300100401		LABEL 3 (LARGE)	FOR USE IN JAPAN,JA					1	
25		BME01100000		VOLTAGE INDICATION SEAL	FOR USE IN JAPAN(1-PHASE)					1	
26		BME03200000		VOLTAGE INDICATION SEAL	FOR USE IN JAPAN,JA					1	
27		CM300100003		VOLTAGE WARNING LABEL(25)	FOR JE,GE- NERAL EXPORT					1	
28		CM300400701		VOLTAGE CAUTION LABEL	FOR USE IN JAPAN,JA					1	
29		CM300400601		VOLTAGE CAUTION LABEL	FOR JE,GE- NERAL EXPORT					1	
30		40086468		POWER CABLE 1P PLUG ASSY	FOR USE IN JAPAN(1-PHASE)					1	
31		M90345800A0		GROUND CORD ASM.	FOR USE IN JAPAN(1-PHASE)					1	
32		40096034		POWER CABLE 3P ASSY	FOR USE IN JAPAN,JA					1	

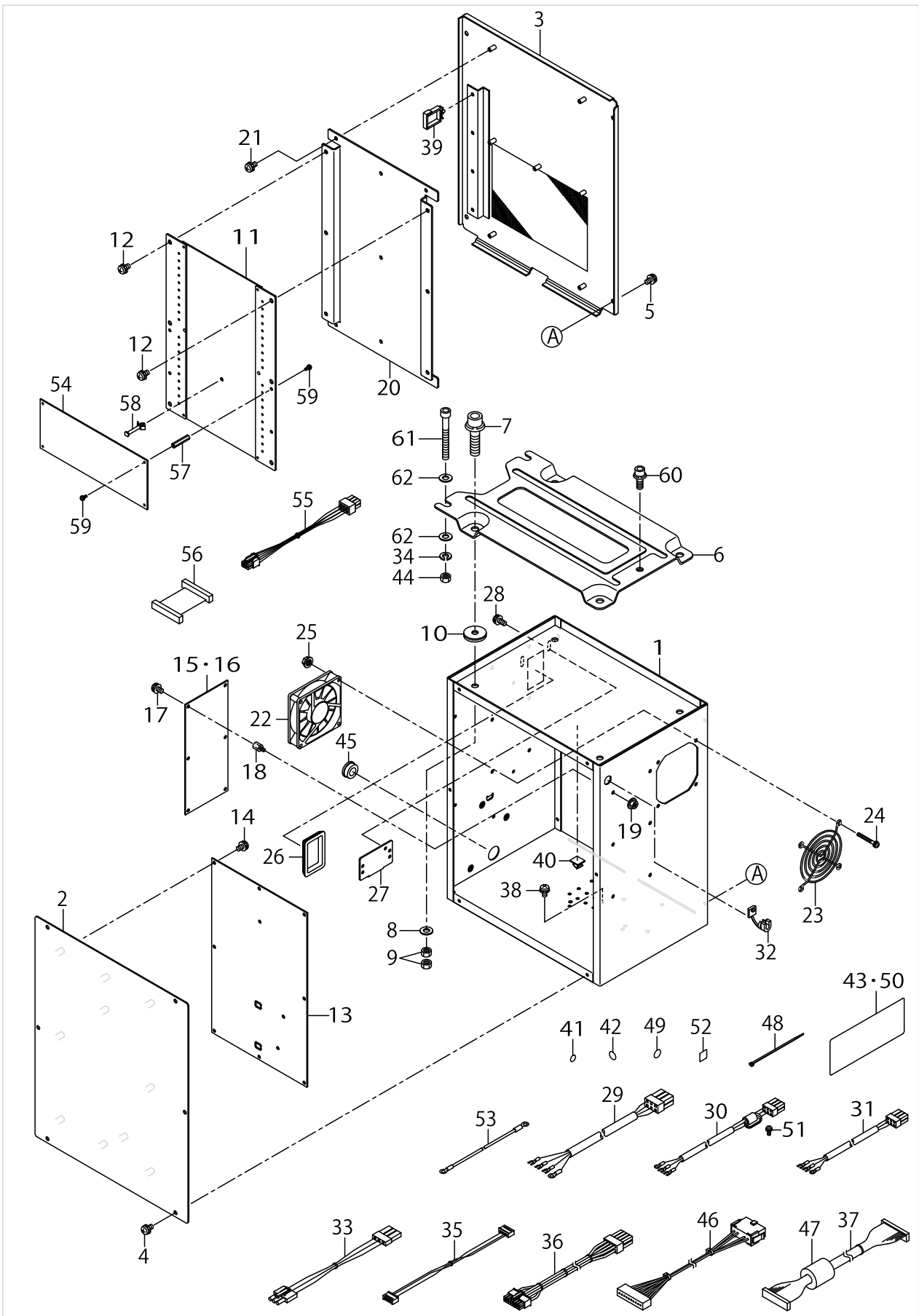
OPERATION PANEL COMPONENTS



OPERATION PANEL COMPONENTS

No.	Supply Code	Parts No.	Replacement	Parts name	Remarks	Choice	Step	Level	Cons	Qty	Rep. QTY
33		40096035		POWER CABLE 1P ASSY	FOR JE,GE- NERAL EXPORT					1	
34		40096051		PANEL CABLE L ASM						1	
35		SK3413201SE		WOOD SCREW D=4.1 L=32						2	
36		40035024		OPERATION_BOX_FIXED_PLATE(B) ASM						1	

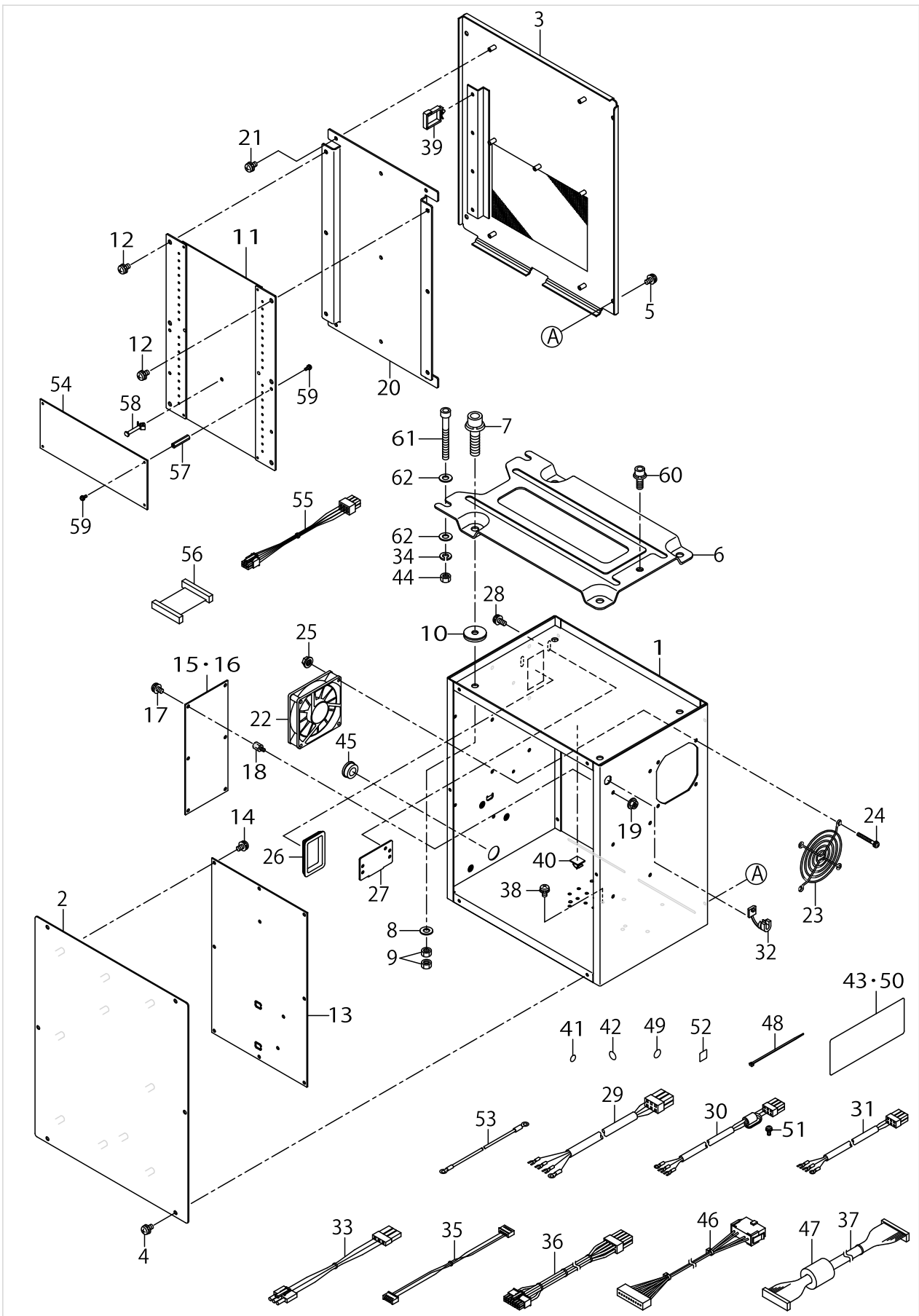
CONTROL BOX COMPONENTS



CONTROL BOX COMPONENTS

No.	Supply Code	Parts No.	Replacement	Parts name	Remarks	Choice	Step	Level	Cons	Qty	Rep. QTY
1		40055355		CONTROL BOX						1	
2		40055356		CONTROL BOX FRONT COVER						1	
3		40055357		CONTROL BOX REAR COVER						1	
4		SL4040891SC		SCREW M4 L=8						6	
5		SL4040891SC		SCREW M4 L=8						4	
6		M3801476000		CONTROL BOX FITTING PLATE						1	
7		SL6083092TN		SCREW						4	
8		WP0841601SC		WASHER 8.4X17.4X1.6						4	
9		NM6080001SC		NUT M8X1.25						8	
10		M4206461000		WASHER						4	
11		40108274		MAIN PCB C ASSY						1	
12		SL4040891SC		SCREW M4 L=8						6	
13		40082758		SDC PCB A ASSY						1	
14		SL4040881SC		SCREW M4 L=8						10	
15		40000056		FLT-T PCB A ASS'Y	FOR USE IN JAPAN (1--PHASE 10-0V,1-PHASE 200V), JUS(3-PHASE 200V)					1	
16	R	40000046	40162838	FLT-S PCB A ASS'Y	FOR CE, G-ENERAL EXPORT					1	1.00
17		SL4040881SC		SCREW M4 L=8						6	
18		HX003390000		STUD						6	
19		NM3040520SC		NUT M4						6	
20		40005706		MAIN PCB HOLDER PLATE						1	
21		SL4040881SC		SCREW M4 L=8						5	
22		40005401		FAN MOTOR ASS'Y						1	
23		KM000000480		FAN MOTOR						1	
24		SL4043591SC		SCREW						4	
25		NM3040520SC		NUT M4						4	
26		HX004070000		BUSH						1	
27		17845009		CORD FITTING PLATE						1	
28		SL4041091SC		SCREW M4 L=10						2	
29		40096030		POWER CORD 3P ASSY	FOR USE IN JAPAN (1--PHASE 10-0V,1-PHASE 200V), JUS(3-PHASE 200V)					1	
30		40096031		POWER CORD JE ASSY	FOR CE					1	
31	R	40096032	40123193	POWER CORD 1P ASSY	GENERAL EXPORT					1	1.00
32		HX00410000A		STRAIN RELIEF BUSHING						1	
33		40005393		FLT-SDC CORD P ASS'Y						1	
34		WS0820002KN		SPRING WASHER M8						2	
35		40005394		FLT-SDC CORD S ASS'Y						1	
36		40005726		SDC-MAIN CORD P ASSY						1	
37		40005727		SDC-MAIN CORD S ASSY						1	
38		SL4040891SC		SCREW M4 L=8						4	
39		HX005110000		WIRE SADDLE						3	

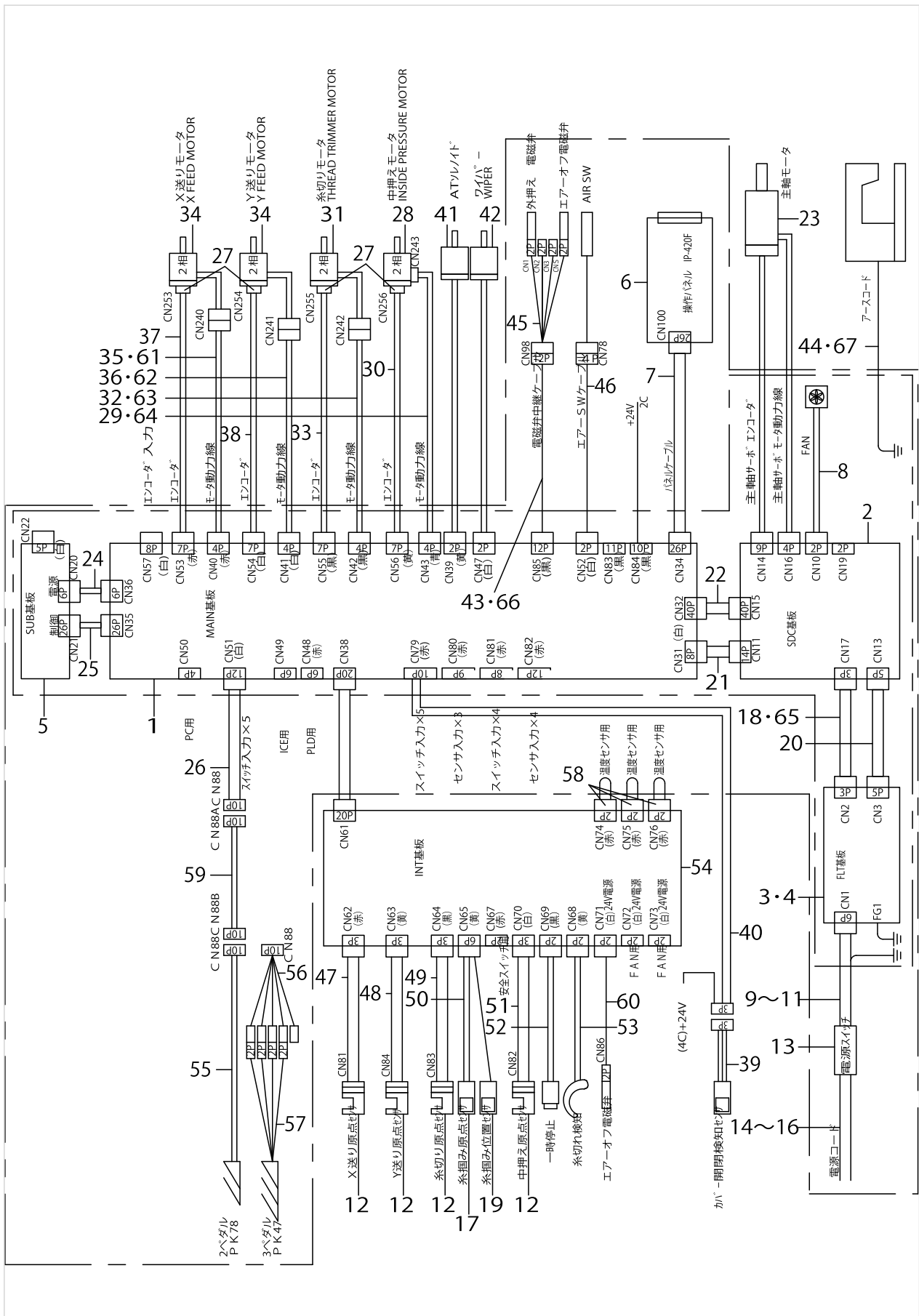
CONTROL BOX COMPONENTS



CONTROL BOX COMPONENTS

No.	Supply Code	Parts No.	Replacement	Parts name	Remarks	Choice	Step	Level	Cons	Qty	Rep. QTY
40		E9607603000		STICKER (SMALL)						1	
41		E9567319000		EARTH MARK						1	
42		40003458		MASK SEAL						16	
43		40051640		ELECTRICAL_RATING_LABEL_UNIVERSAL	FOR USE IN JAPAN (1-PHASE 10-0V, 1-PHASE 200V), JUS(3-PHASE 200V), GENERAL EXPORT					1	
44		NM6080001SC		NUT M8X1.25						2	
45		HX00326000K		GROMMET						1	
46		40073659		SWRELAYCORDASM.						1	
47		HN001490000		CLAMP FILTER(L)						1	
48		EA9500B0100		CABLE BAND						1	
49		CM200100001		PE MARK LABEL	FOR CE					1	
50	D	40057278		ELECTRICAL_RATING_LABEL_CE_UNIVERSAL	FOR CE					1	
51		SL4041081SC		SCREW M4 L=10	FOR CE					1	
52		CM600100101		WEEE MARK LABEL S	FOR CE					1	
53		M90295800A0		FDD EARTH CORD ASM.						1	
54		40073651		SUB PCB ASSY						1	
55		40062367		SUB-MAIN CORD P ASSY						1	
56		40062368		SUB-MAIN CORD S ASSY						1	
57		HX00418000E		SPACER						4	
58		HX00147000J		SPACER						1	
59		SL4030881SC		SCREW M3X8						8	
60		SL6082092TN		BOLT						1	
61		SM6087002TN		SCREW M8 L=70						2	
62		WP0841601SC		WASHER 8.4X17.4X1.6						4	

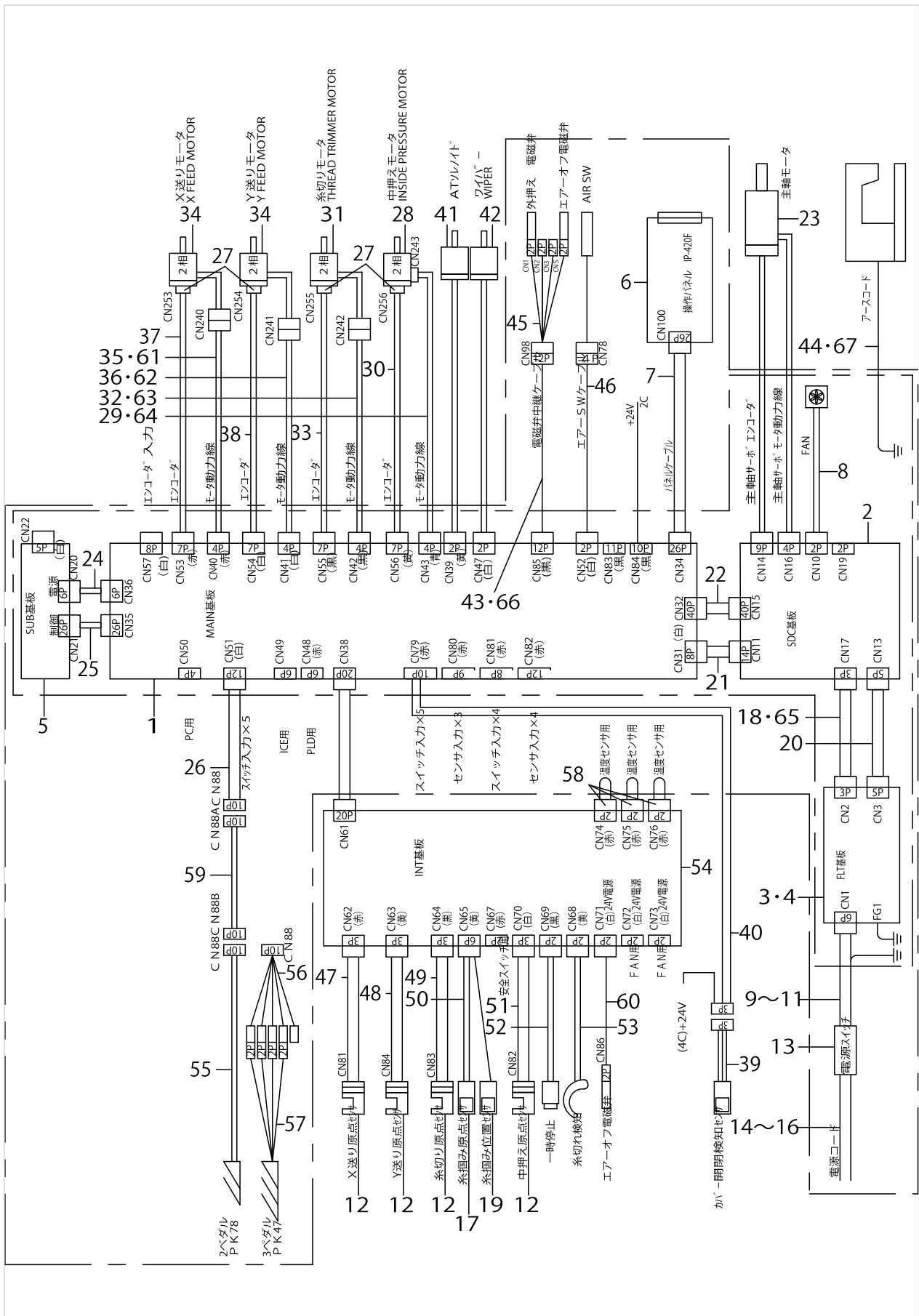
WIRING DIAGRAM



WIRING DIAGRAM

No.	Supply Code	Parts No.	Replacement	Parts name	Remarks	Choice	Step	Level	Cons	Qty	Rep. QTY
1		40108274		MAIN PCB C ASSY						1	
2		40082758		SDC PCB A ASSY						1	
3		40000056		FLT-T PCB A ASS'Y	FOR 1-PH-ASE/3-PHASE					1	
4	R	40000046	40162838	FLT-S PCB A ASS'Y	FOR CE,G-ENERAL EXPORT					1	1.00
5		40073651		SUB PCB ASSY						1	
6		40086485		IP-420F PANEL ASSY						1	
7		40096051		PANEL CABLE L ASM						1	
8		40005401		FAN MOTOR ASS'Y						1	
9		40096030		POWER CORD 3P ASSY	FOR 1-PH-ASE/3-PHASE					1	
10		40096031		POWER CORD JE ASSY	FOR CE					1	
11	R	40096032	40123193	POWER CORD 1P ASSY	GENERAL EXPORT					1	1.00
12		HD00057000A		PHOTO SENSOR						3	
13		HA005820000		SWITCH						1	
14		40086468		POWER CABLE 1P PLUG ASSY	FOR USE IN JAPAN (1--PHASE 100V)					1	
15		40096034		POWER CABLE 3P ASSY	FOR 3-PHASE					1	
16		40096035		POWER CABLE 1P ASSY	FOR CE,G-ENERAL EXPORT					1	
17	R	HD00204000A	HD00203000A	SENSOR						1	1.00
18		40005393		FLT-SDC CORD P ASS'Y						1	
19	R	HD00204000B	HD00203000B	SENSOR						1	1.00
20		40005394		FLT-SDC CORD S ASS'Y						1	
21		40005726		SDC-MAIN CORD P ASSY						1	
22		40005727		SDC-MAIN CORD S ASSY						1	
23		40052937		550W_SERVO_MOTOR						1	
24		40062367		SUB-MAIN CORD P ASSY						1	
25		40062368		SUB-MAIN CORD S ASSY						1	
26		40073659		SW RELAY CORD ASM						1	
27		HD002780000		SENSOR						4	
28		40103969		ENCODER MOTOR ASM.(IP)						1	
29		40073623		IPMOTORCABLEASM						1	
30		40073640		IP ENCODER CABLE ASM						1	
31		40103968		ENCODER MOTOR ASM.(TC)						1	
32		40073622		TT MOTOR CABLE ASM						1	
33		40073639		TT ENCODER CABLE ASM						1	
34		40104419		ENCODER MOTOR ASM.(X-Y)						2	
35		40073620		X MOTOR CABLE ASM						1	
36		40073621		Y MOTOR CABLE ASM						1	
37		40073632		X ENCODER CABLE ASM						1	
38		40073638		Y ENCODER CABLE ASM						1	
39		40141483		COVER SENSOR ASSY						1	
40		40174539		SHUTTLE COVER S-SENSOR CABLE ASM						1	
41		40073660		AT SOLENOID						1	
42		40072151		WIPER ASM						1	
43		40108280		AIR RELAY CABLE ASM						1	

WIRING DIAGRAM



WIRING DIAGRAM

No.	Supply Code	Parts No.	Replacement	Parts name	Remarks	Choice	Step	Level	Cons	Qty	Rep. QTY
44		14115554		HEAD GROUND CABLE A ASM.						1	
45		40048529		VALVE RERAY CORD ASM						1	
46		40075391		AIR SW CABLE ASM						1	
47		40073671		X SENSOR CABLE ASM						1	
48		40073672		Y SENSOR CABLE ASM						1	
49		40040238		PF_SENSOR_CABLE_ASM						1	
50		40073674		TH SENSOR ASM						1	
51		40073675		IP_SENSOR_CABLE_ASM.						1	
52		40073676		STOP SW ASM						1	
53		40073678		THB SENSOR CABLE ASM						1	
54		40040230		INT PCB ASM						1	
55		40033831		PK78 PEDAL SWITCH ASM						1	
56		40033875		PK47 RELAY CABLE ASM	OPTIONAL PARTS					1	
57		GPK470010AB		3-PEDAL ASM.	OPTIONAL PARTS					1	
58		40040237		SHORT CONNECTOR						3	
59		40111079		PEDAL EXTENSION CABLE ASM.						1	
60		40090484		VALVE CORD ASM.						1	
61		40163253		X MOTOR CABLE ASM	FOR CE					1	
62		40163254		Y MOTOR CABLE ASM	FOR CE					1	
63		40163255		TT MOTOR CABLE ASM	FOR CE					1	
64		40163256		IP MOTOR CABLE ASM	FOR CE					1	
65		40163025		REACTOR CORD ASSY	FOR CE					1	
66		40163258		AIR RELAY CABLE ASM.	FOR CE					1	
67		40163063		EARTH CODE ASM	FOR CE					1	

TABLE COMPONENTS

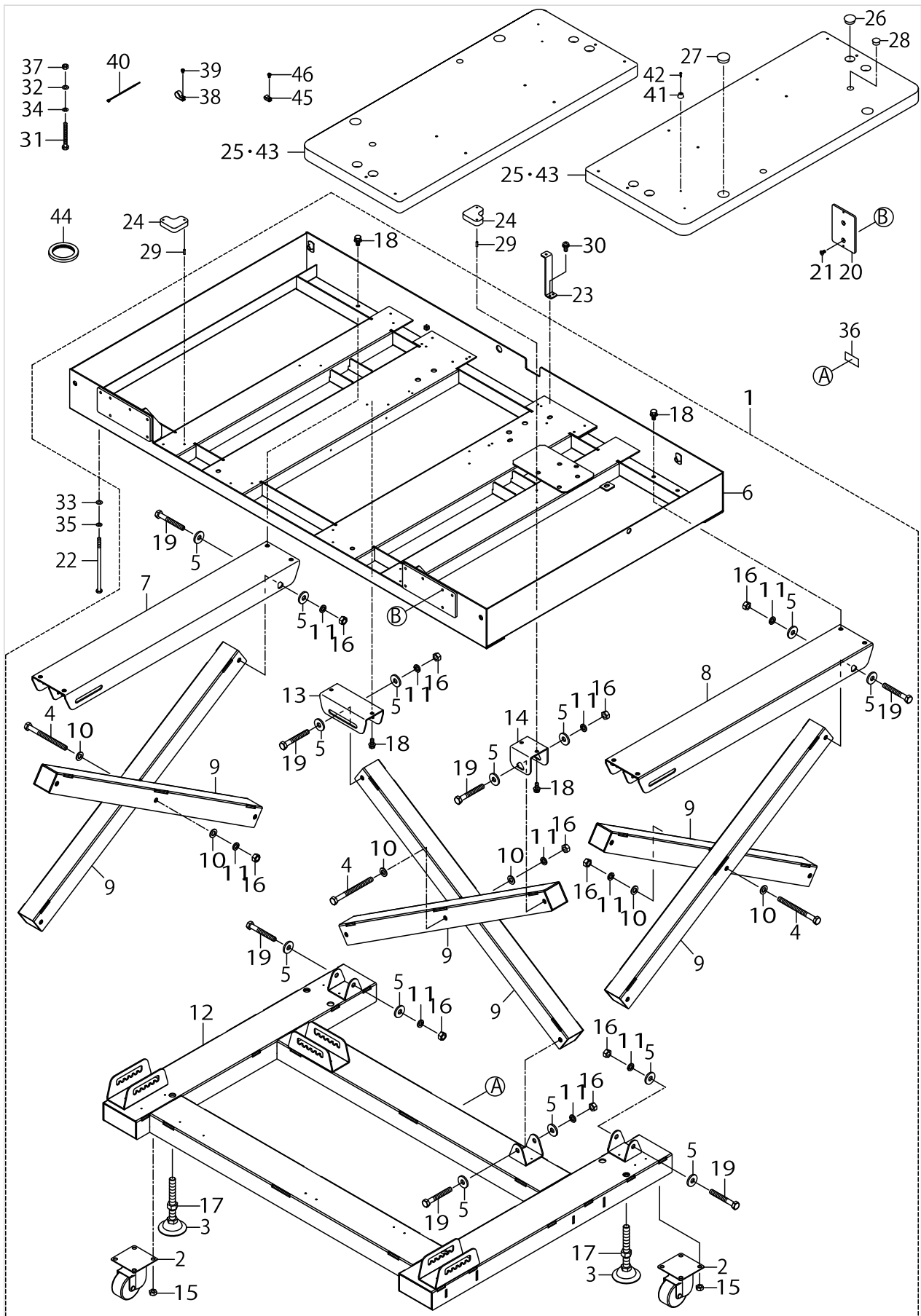
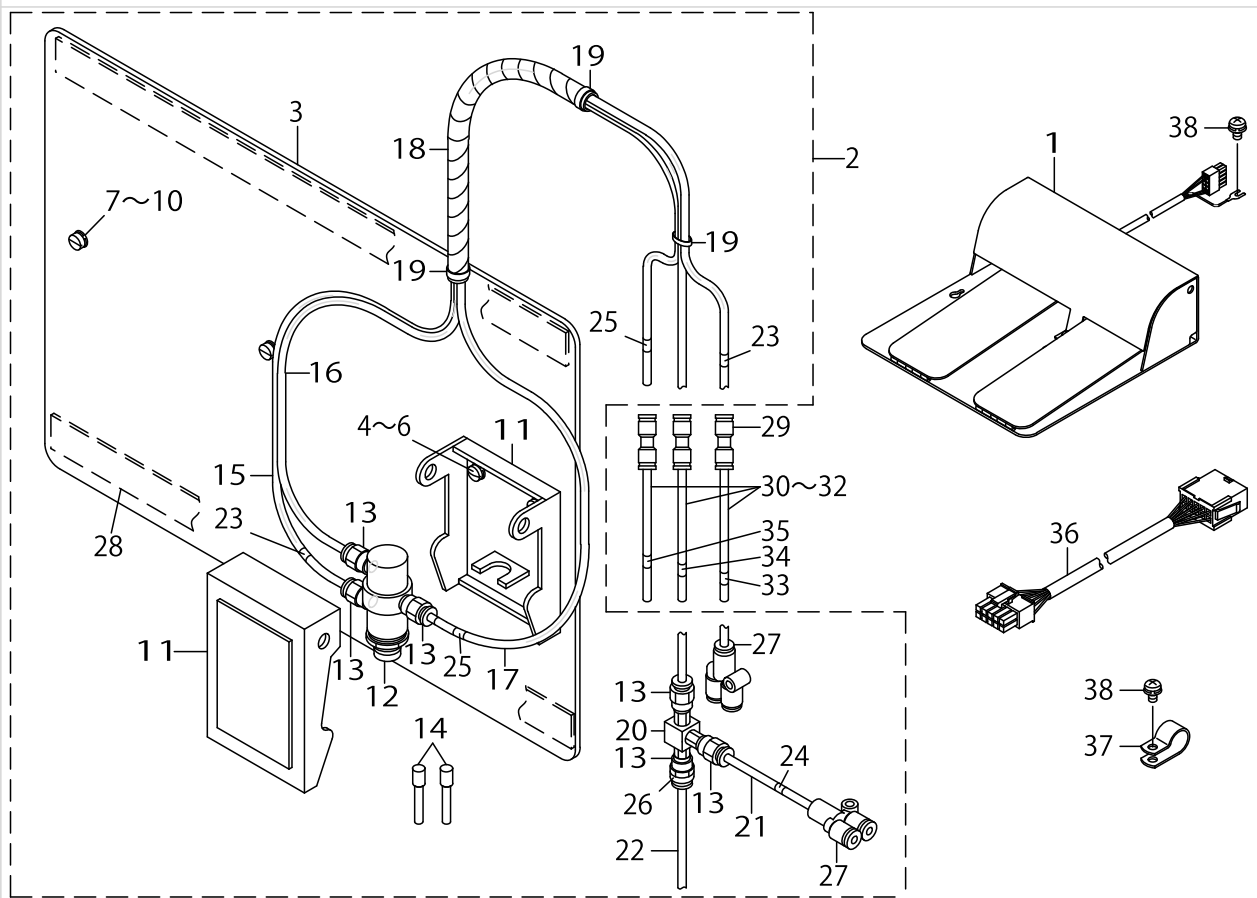


TABLE COMPONENTS

No.	Supply Code	Parts No.	Replacement	Parts name	Remarks	Choice	Step	Level	Cons	Qty	Rep. QTY
1		40072145		STAND ASM						1	
2		40072077		CASTER				*		4	
3		40072087		ADJUSTER				*		4	
4		40072206		BOLT				*		3	
5		40072223		WASHER LARGE				*		24	
6		40073222		UPPER_STAND				*		1	
7		40073224		TOP_BASE_L				*		1	
8		40073225		TOP_BASE_R				*		1	
9		40073226		CROSS_LEG				*		6	
10		WP1302501SC		WASHER 13X24X2.5				*		6	
11	R	WS1220002KN	WS1220002KP	SPRING WASHER				*		15	1.00
12		40073227		BASE				*		1	
13		40073230		BRACKET_BT				*		1	
14		40073231		BRACKET_B				*		1	
15	R	NM6100001SE	NM6100001SC	NUT FOR SPRING A-DJUSTING BOLT				*		16	1.00
16		NM6120001SE		NUT M12				*		15	
17		NM6160001SC		NUT				*		4	
18		SL9082093SE		SCREW				*		12	
19		SM9129013SB		SCREW M12 L=90				*		12	
20		40073216		SW_BASE_JE						1	
21		SM1061201SN		SCREW M6 L=12						2	
22		B8117223C00		BOLT						4	
23		B8118223C00		COVER INSTALLING STAY						4	
24		B8171220000		RUBBER ABSORBER						4	
25		40072146		TABLE						2	
26		HX00326000B		BUSH						5	
27		HX00326000M		DOME PLUG						3	
28		HX00326000G		PLUG						3	
29		PS0400141KH		SPRING PIN 4X14						8	
30		SL4041091SC		SCREW M4 L=10						8	
31		SM9087533SC		SCREW M8 L=75						2	
32		WP0841601SC		WASHER 8.4X17.4X1.6						2	
33		WP0841601SC		WASHER 8.4X17.4X1.6						4	
34		WS0820002KN		SPRING WASHER M8						2	
35		WS0820002KN		SPRING WASHER M8						4	
36		16870206		GRAVITY SEAL						2	
37		NM6080001SC		NUT M8X1.25						2	
38		HX00150000H		CABLE CLIP						3	
39		SL4040891SC		SCREW M4 L=8						3	
40		EA9500B0100		CABLE BAND						2	
41		40072231		STOPPER_RUBBER						2	
42		SK3271301SE		WOOD SCREW D=2.7 L=13						2	
43		40089584		TABLE ASM.	FOR CA					2	
44		40090431		RUBBER						4	
45		HX00150000B		CABLE CLIP						1	
46		SL4041091SC		SCREW M4 L=10						1	

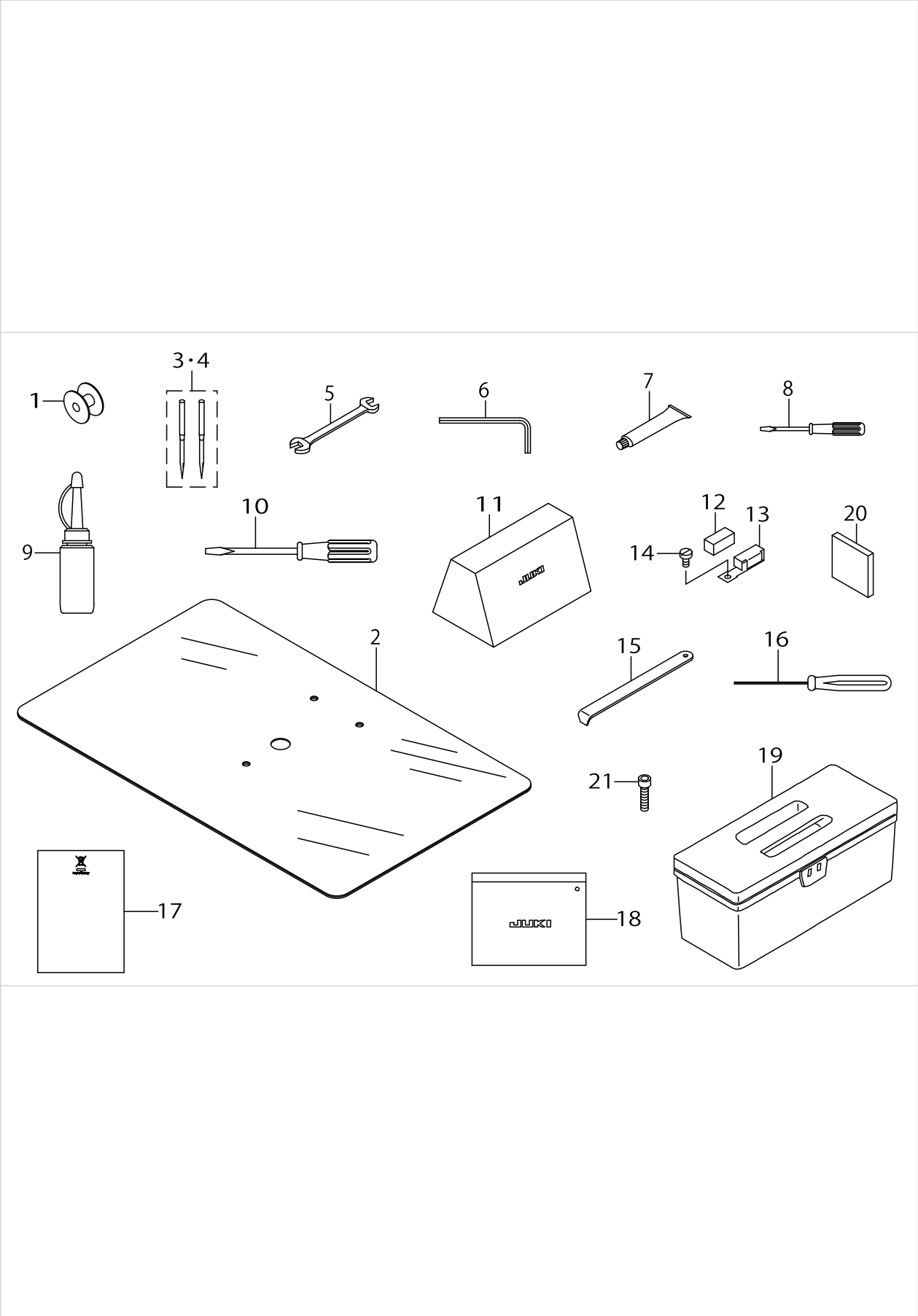
PEDAL COMPONENTS



PEDAL COMPONENTS

No.	Supply Code	Parts No.	Replacement	Parts name	Remarks	Choice	Step	Level	Cons	Qty	Rep. QTY
1		40033831		PK78 PEDAL SWITCH ASM.						1	
2		40042352		MECHANICAL VALVE UNIT						1	
3		D8001D15A0Y		PEDAL BASE				*		1	
4		WP0450801SD		WASHER 4.5X10X0.8				*		2	
5		WS0451040KP		SPRING WASHER 4.5X8.5X1				*		2	
6		SS7111120TP		SCREW				*		2	
7		SS6111210SP		SCREW 11/64-40L=12				*		2	
8		WP0450801SD		WASHER 4.5X10X0.8				*		2	
9		WS0451040KP		SPRING WASHER 4.5X8.5X1				*		2	
10		WP0553216SD		WASHER				*		2	
11		PX020002000		ACTUATOR				*		1	
12		PV010502000		AIR VALVE				*		1	
13		PJ301040501		HALF UNION M5 D=4				*		6	
14		PX500014000		PLUG				*		2	
15		BT0400251EB		URETHANE HOSE BLACK				*		1.9	
16		BT0400251EB		URETHANE HOSE BLACK				*		1.8	
17		BT0400251EB		URETHANE HOSE BLACK				*		1.9	
18		HX00314000A		SPIRAL TUBE				*		0.6	
19		EA9500B0100		CABLE BAND				*		3	
20		GEP01013000		VALVE				*		1	
21		BT0400251EB		URETHANE HOSE BLACK				*		0.1	
22		BT0400251EB		URETHANE HOSE BLACK				*		0.1	
23		18035204		WIRE MARK (3)				*		2	
24		18035303		WIRE MARK (4)				*		1	
25		18035600		WIRE MARK (7)				*		2	
26		18035709		WIRE MARK (8)				*		1	
27		PJ308040002		QUICK COUPLING				*		2	
28		D8002D15A0Y		PEDAL CUSHION				*		2	
29		PJ303040002		STRAIGHT UNION						3	
30		BT0400251EB		URETHANE HOSE BLACK						1.6	
31		BT0400251EB		URETHANE HOSE BLACK						1.6	
32		BT0400251EB		URETHANE HOSE BLACK						1.6	
33		18035204		WIRE MARK (3)						1	
34		18035709		WIRE MARK (8)						1	
35		18035600		WIRE MARK (7)						1	
36		40111079		PEDAL EXTENSION CABLE ASM.						1	
37		HX00150000E		CORD PRESSER 3-- POLE (220/240V)						1	
38		SL4040891SC		SCREW M4 L=8						2	

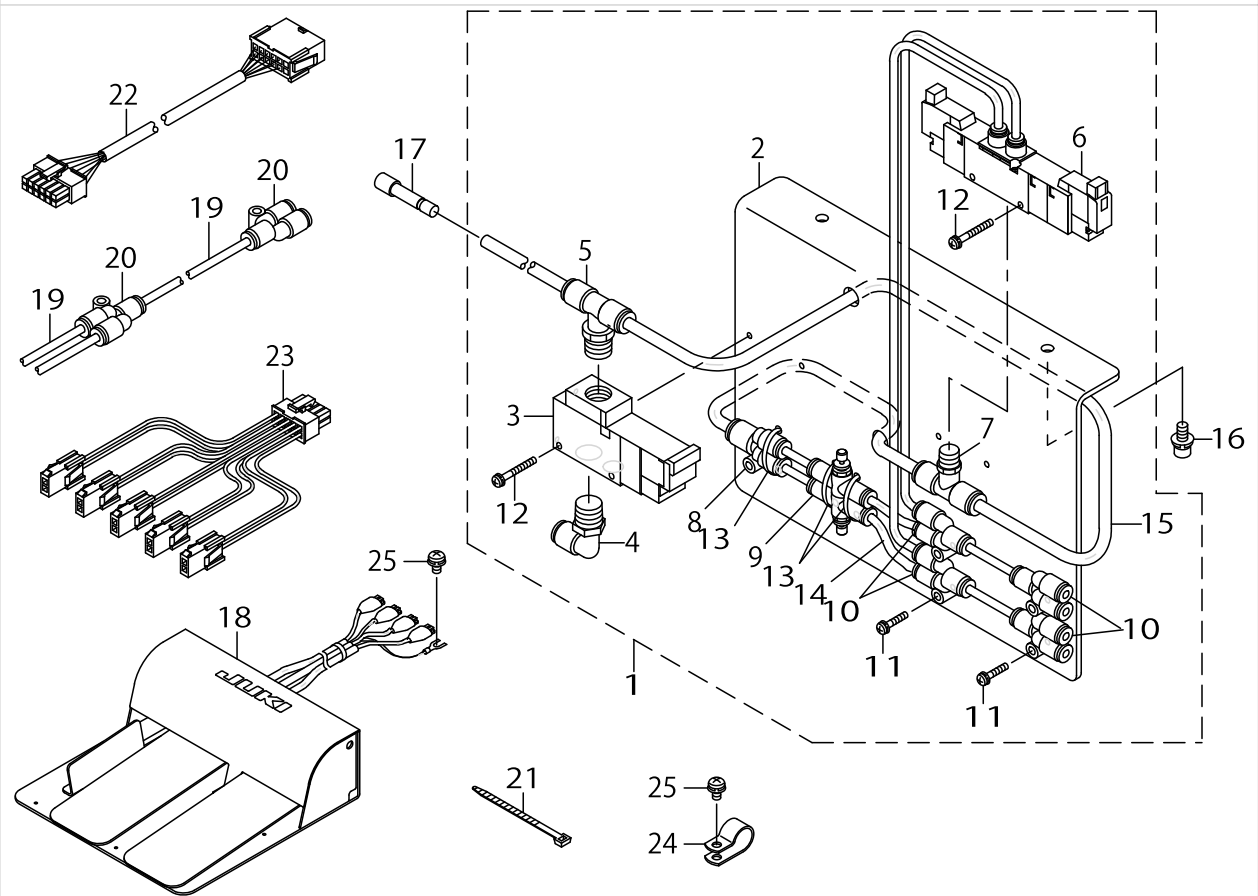
ACCESSORIE PARTS COMPONENTS



ACCESSORIE PARTS COMPONENTS

No.	Supply Code	Parts No.	Replacement	Parts name	Remarks	Choice	Step	Level	Cons	Qty	Rep. QTY
1		D9117141E00		BOBBIN					☆	1	
2		40072082		COVER SHEET(4530)	FOR ST					1	
3		MDP170B2302		NEEDLE DPX17#23-2	FOR ST				☆	1	
4	R	MC372001602	MC372001600	NEEDLE SY3355 #160-2	FOR JE				☆	1	1.00
5		B9113012000		WRENCH (9X10)						1	
6		B9140372000		HEXAGONAL WRENCH SMALL						1	
7		40006323		JUKI GREASE A TUBE						1	
8		22933204		SCREW DRIVER SMALL						1	
9		B91212200A0		OILER (CONTAINING NO.2 OIL)						1	
10		22933105		SCREW DRIVER MIDDLE						1	
11		40072154		COVER						1	
12		B1131528000		FELT						1	
13		10102200		THREAD GUIDE F						1	
14		SM6040860TP		SCREW M4 L=8						1	
15		B9101490000		DRIVER						1	
16		40032763		HEXAGONAL_DRIVER(1.5)						1	
17		CM600100201		WEEE INFORMATION SHEET	FOR JE					1	
18		22932800		ACCESSORIE BAG						1	
19		B8601WP10A0		TOOL BOX ASM.						1	
20		40050647		COMPACTFLASH(T-M) SET AMS-221E						1	
21		SM6052002TP		SCREW M5 L=20						1	

SEPARATE STROKE TYPE EXCLUSIVE PARTS



SEPARATE STROKE TYPE EXCLUSIVE PARTS

No.	Supply Code	Parts No.	Replacement	Parts name	Remarks	Choice	Step	Level	Cons	Qty	Rep. QTY
1		40076736		SOLENOID_INSTALLING_PLATE_A_ASM.						1	
2	R	40076738	40105703	SOLENOID_INSTALLING_PLATE				*		1	1.00
3		PV135207000		3-PORT ELECTROMAGNETIC VALVE				*		1	
4		PJ304065201		ELBOW UNION 6XPT1/4				*		1	
5		PJ305065204		DOUBLE-ENDED T UNION				*		1	
6		PV155113000		5-PORT SOLENOID VALVE				*		1	
7		PJ305065107		DOUBLE-ENDED T UNION				*		1	
8		PJ308060005		DIFFERENT DIAMETER UNION Y				*		1	
9		PC012406000		SPEED CONTROLLER				*		2	
10		PJ308040002		QUICK COUPLING				*		4	
11		SL4031691SC		SCREW M3 L=16				*		4	
12		SL4032591SC		SCREW M3X25				*		4	
13		EA9500B0100		CABLE BAND				*		3	
14		BT0400251EB		URETHANE HOSE BLACK				*		0.6	
15		BT0600401EB		TUBE				*		1.1	
16		SL6051292TN		BOLT						2	
17		PX950001000		PLUG						1	
18		GPK470010AB		3-PEDAL ASM.						1	
19		BT0400251EB		URETHANE HOSE BLACK						1.7	
20		PJ308040002		QUICK COUPLING						4	
21		EA9500B0100		CABLE BAND						3	
22		40074127		AIR EXTENSION CODE ASM.						1	
23		40033875		PK47 RELAY CABLE ASM						1	
24		HX00150000E		CORD PRESSER 3-POLE (220/240V)						1	
25		SL4040891SC		SCREW M4 L=8						2	

HOW TO MAKE USE OF THIS PARTS LIST

1.As to "#01" and "#02" refer to the "Note" given at the bottom of the respective pages.

2.Codes on the "Qty" column

- Each numeral indicates the number of parts required.
- "0.1" and "2.5" indicate the length (in meters) of the respective parts.

3.Parentheses mean that the corresponding part is a subpart that constructs an assembly part.

4.Dotted lines on the Figures indicate assembly parts.

5.As to the parts with marks of "☆"(Consumable parts)and "◎"(optional parts)on the respective parts, it is recommended to prepare spares.

1. リストページの#01、#02の印は、ページ下の"注記"の説明を参照下さい。
2. 数量欄の数字は、個数を表し、0.1、2.5等の数値は、長さ（単位メートル）を表します。
3. 数量欄の（ ）は、組部品を構成している子部品であることを意味します。
4. イラストページの-----枠は、組構成であることを意味します。
5. リストページの"☆"（消耗部品）、"◎"（オプション部品）の印が付いた部品は、予備を準備しておくことをお奨めします。

NUMERICAL INDEX OF PARTS

PART NO	PAGE	REF NO.	PART NO	PAGE	REF NO.	PART NO	PAGE	REF NO.
10102200	74	13	22933204	74	8	40005401	66	8
10126704	26	9	22955504	32	35	40005706	62	20
10502300	2	35	22955900	32	7	40005726	62	36
11072402	4	47	22956007	32	8	40005726	66	21
12209706	10	77	22956908	32	14	40005727	62	37
12219705	26	14	23517501	38	4~7	40005727	66	22
13122403	18	23	23517600	38	4~7	40006323	74	7
13122452	18	22	23517709	38	4~7	40006484	2	37
13167903	56	33	23517808	38	4~7	40006515	16	50
13168000	56	34	23604200	14	2	40006516	16	52
13168109	56	26	23610108	18	39	40006516	30	66
13168208	56	27	23618606	28	7	40006617	34	5
13518501	30	55	23618606	42	35	40006622	34	25
13705108	2	21	23630007	30	70	40006625	34	4
13887005	44	88	26023408	50	4	40006666	38	21
14113450	4	49	26211904	2	12	40006836	2	43
14113468	2	46	26218602	34	31	40006840	2	45
14115554	6	31	26221200	10	46	40006840	30	68
14115554	68	44·67	26226001	22	42	40010415	14	5
14432504	30	56	26230706	26	20	40010418	14	7
14435705	28	20	26260109	6	5	40010422	14	9
14435804	26	34	26260208	6	6	40010423	14	10
14439608	38	25	26260307	6	7	40010424	14	11
14440309	38	27	26260406	6	8	40010425	14	12
14440457	38	28	26260505	6	9	40010426	14	13
14440556	38	29	26260604	6	10	40010427	14	14
16870206	70	36	26260703	6	11	40010434	14	33
17845009	62	27	26260802	6	12	40010443	40	49
18035204	72	33	26261206	6	16	40010477	34	6
18035303	72	24	26261305	6	17	40010478	34	41
18035600	72	35	26261503	6	18	40010479	34	8
18035709	72	34	26261602	6	19	40010487	34	17
22891006	14	25	26261701	6	20	40010489	34	23
22891204	14	34	26910059	56	25	40010490	34	20
22901409	16	62	40000046	62	15·16	40010497	34	21
22901805	6	3	40000046	66	3·4	40010498	34	22
22902506	2	4	40000056	62	15·16	40010499	34	24
22907505	18	45	40000056	66	3·4	40010503	34	27
22907554	18	44	40003458	64	42	40010504	34	30
22907604	20	46	40003970	22	46	40010509	34	34
22920508	2	16	40005393	62	33	40010510	34	35
22921506	34	29	40005393	66	18·65	40010511	34	36
22928808	34	28	40005394	62	35	40010512	34	37
22932800	74	18	40005394	66	20	40010513	34	38
22933105	74	10	40005401	62	22	40010514	34	39

NUMERICAL INDEX OF PARTS

PART NO	PAGE	REF NO.	PART NO	PAGE	REF NO.	PART NO	PAGE	REF NO.
40010515	34	40	40028835	2	31	40042352	72	2
40010521	34	43	40028877	2	28	40043321	24	53
40010522	34	44	40029411	34	32	40044053	16	46
40010523	34	33	40029412	34	42	40044053	30	62
40010533	16	54	40029419	18	36	40048529	68	45
40012965	18	19	40029420	22	5	40050647	74	20
40013640	6	29	40029420	28	45	40051473	16	42
40023624	20	58	40030615	22	15	40051501	10	61
40023624	38	13	40030616	20	65	40051640	64	43·50
40023631	20	49	40030617	18	4	40051769	52	49
40023635	50	5	40030620	18	31	40051770	50	43
40023644	50	2	40030621	20	55	40051987	2	40
40023866	6	14	40030623	20	47	40052937	16	60
40023993	34	12	40030625	22	1	40052937	66	23
40023999	34	15	40030626	22	2	40055355	62	1
40024988	18	29	40030627	22	3	40055356	62	2
40024989	22	24	40030628	20	62~64	40055357	62	3
40024991	18	40	40030629	20	62~64	40057278	64	43·50
40024997	8	41	40030630	20	62~64	40058949	12	92
40024999	2	6	40030828	2	8	40062367	64	55
40025011	18	13	40030936	38	1	40062367	66	24
40025012	18	5	40030956	32	6	40062368	64	56
40025014	10	54	40031336	6	28	40062368	66	25
40025016	22	31	40032158	2	1	40068833	18	14
40025030	22	36	40032159	2	26	40068834	18	28
40025414	2	14	40032179	22	7	40068835	18	7
40025415	18	8	40032180	22	17	40072074	8	12
40025418	22	33	40032181	22	22	40072076	8	15
40025419	24	47	40032229	50	13	40072077	70	2
40025420	22	44	40032343	34	11	40072078	8	25
40025423	22	8	40032345	34	14	40072079	8	20
40025426	22	27	40032483	22	6	40072080	8	21
40025427	18	2	40032763	74	16	40072081	8	19
40025428	18	11	40033831	68	55	40072082	74	2
40025429	18	26	40033831	72	1	40072086	14	8
40025431	18	1	40033875	68	56	40072087	70	3
40025440	32	36	40033875	76	23	40072088	30	48
40026817	22	4	40035024	60	36	40072103	30	51
40026819	22	9	40037500	32	32	40072107	38	15
40026882	16	57	40037501	32	33	40072111	34	26
40026884	16	61	40040230	10	62	40072112	42	13
40026979	2	3	40040230	68	54	40072113	42	2
40027870	22	37	40040237	68	58	40072114	42	12
40027971	2	11	40040238	68	49	40072115	42	3
40028834	2	30	40040256	38	8	40072116	42	14

NUMERICAL INDEX OF PARTS

PART NO	PAGE	REF NO.	PART NO	PAGE	REF NO.	PART NO	PAGE	REF NO.
40072117	42	15	40072206	70	4	40073678	68	53
40072118	42	16	40072207	28	3	40074051	58	18
40072119	42	17	40072208	30	49	40074127	76	22
40072120	42	23	40072209	44	72	40075391	68	46
40072122	42	24	40072211	38	45	40076294	32	41
40072124	42	27	40072212	10	81	40076736	76	1
40072125	42	28	40072213	10	80	40076738	76	2
40072126	42	29	40072214	10	79	40077604	16	55
40072127	44	81	40072220	54	1	40077605	16	56
40072128	42	21	40072223	70	5	40077925	20	56
40072129	42	20	40072226	42	10	40078079	14	35
40072130	42	4	40072227	46	94	40078083	14	27
40072131	42	33	40072228	38	10	40078088	14	23
40072133	44	74	40072231	70	41	40078106	14	22
40072135	50	1	40072233	14	39	40078113	20	57
40072136	50	28	40072244	10	49	40078133	18	43
40072138	50	46	40073216	70	20	40078135	14	29-30
40072143	8	23	40073222	70	6	40078160	16	43
40072145	70	1	40073224	70	7	40078163	58	2
40072146	70	25-43	40073225	70	8	40078168	58	9
40072151	66	42	40073226	70	9	40080799	58	3
40072152	42	9	40073227	70	12	40080800	58	4
40072154	74	11	40073230	70	13	40082017	10	88
40072155	48	5	40073231	70	14	40082758	62	13
40072156	42	26	40073620	66	35-61	40082758	66	2
40072160	42	1	40073621	66	36-62	40083666	58	7
40072161	52	52	40073622	66	32-63	40083668	58	6
40072163	50	40	40073623	66	29-64	40083960	58	10
40072166	42	5	40073632	66	37	40085784	56	2
40072167	42	7	40073638	66	38	40085785	56	3
40072168	42	8	40073639	66	33	40085786	56	4
40072169	42	6	40073640	66	30	40085787	56	5
40072171	42	18	40073651	64	54	40085788	56	6
40072173	28	9	40073651	66	5	40085789	56	7
40072174	8	18	40073659	64	46	40085790	56	8
40072175	10	52	40073659	66	26	40085791	56	9
40072176	10	51	40073660	34	1	40085792	56	10
40072177	10	60	40073660	66	41	40085793	56	11
40072178	10	59	40073671	68	47	40085794	56	12
40072179	10	53	40073672	68	48	40085795	56	13
40072184	8	17	40073674	68	50	40085796	56	16
40072186	10	69	40073675	68	51	40085820	50	14
40072191	8	16	40073676	2	33	40085824	50	34
40072193	10	68	40073676	68	52	40085830	50	33
40072195	8	22	40073678	2	25	40086349	32	11

NUMERICAL INDEX OF PARTS

PART NO	PAGE	REF NO.	PART NO	PAGE	REF NO.	PART NO	PAGE	REF NO.
40086350	32	9	40103969	66	28	40173341	26	6
40086351	32	28	40104419	48	11	40173342	38	23
40086352	32	15	40104419	66	34	40173343	38	31
40086353	32	10	40108274	62	11	40173344	26	8
40086354	32	27	40108274	66	1	40174539	12	98
40086355	32	5	40108280	66	43·66	40174539	66	40
40086357	32	12	40111079	68	59	40176021	10	45
40086358	32	13	40111079	72	36	40176341	28	11
40086363	32	1	40135366	26	2	A1230500000A	16	48
40086364	32	4	40135369	38	24	A1230500000A	30	64
40086384	28	6	40135370	38	32	B1111220000A	8	1
40086384	42	34	40141483	12	94	B1114280000	4	53
40086468	58	30	40141483	66	39	B1115220000	8	2
40086468	66	14~16	40142674	8	44	B1120223C00	8	3
40086485	58	1	40163025	68	18·65	B1129210000	2	19
40086485	66	6	40163063	68	44·67	B1131528000	74	12
40086541	58	5	40163253	68	35·61	B1144210000	16	45
40089584	70	25·43	40163254	68	36·62	B1144210000	30	61
40090431	70	44	40163255	68	32·63	B1157215000	8	27
40090432	12	90	40163256	68	29·64	B1158224C00	44	80
40090484	68	60	40163258	68	43·66	B1182223C00	8	24
40090785	8	4	40173310	12	96	B1193223C00	8	26
40091894	32	16	40173311	6	4	B1212210D00	16	44
40096030	62	29	40173312	6	13	B1212210D00	30	60
40096030	66	9~11	40173314	6	15	B1228232000	34	46
40096031	62	30	40173315	14	16	B1408180000	18	32
40096031	66	9~11	40173316	14	17	B14115520A0	16	58
40096032	62	31	40173317	14	18	B1411804A00	26	27~30
40096032	66	9~11	40173318	14	26	B1411804B00	26	27~30
40096034	58	32	40173319	26	4	B1411804C00	26	27~30
40096034	66	14~16	40173320	28	1	B1411804D00	26	27~30
40096035	60	33	40173322	28	15	B1414555000	16	59
40096035	66	14~16	40173323	28	17	B1504210000	50	3
40096051	60	34	40173324	28	18	B151902600G	44	83
40096051	66	7	40173325	28	29	B1601210DOC	20	50
40096186	14	29·30	40173326	28	32	B161121000A	20	48
40096209	14	31·32	40173327	28	34	B1634210D00	20	53
40096325	56	14	40173331	28	39	B1636581A00	18	15~18
40096326	56	17	40173332	28	41	B1636581B00	18	15~18
40096327	56	19	40173333	28	42	B1636581C00	18	15~18
40096354	56	1	40173334	28	43	B1636581D00	18	15~18
40101763	10	50	40173335	28	44	B1641562000	22	41
40103968	38	19	40173336	28	40	B1705850000	14	31·32
40103968	66	31	40173337	26	21	B1802180000	44	47
40103969	22	20	40173339	40	55	B1816215P00	40	48

NUMERICAL INDEX OF PARTS

PART NO	PAGE	REF NO.	PART NO	PAGE	REF NO.	PART NO	PAGE	REF NO.
B1816280000	44	84	B8171220000	70	24	D9117141E00	74	1
B1816280000	50	35	B8202205000	10	84	E2678453000	54	23
B1820210D00	26	15	B8601WP10A0	74	19	E9567319000	64	41
B1821210D00	26	16	B9101490000	74	15	E9607603000	64	40
B1847221D00	26	33	B9113012000	74	5	EA9500B0100	6	37
B1903552000	14	28	B9121012000	10	87	EA9500B0100	24	50
B1908505000	14	19	B91212200A0	74	9	EA9500B0100	26	24
B2107210D00	32	2	B9140372000	74	6	EA9500B0100	46	97
B2107210D0B	32	42	BME01100000	58	25·26	EA9500B0100	54	21
B24142800A0	38	30	BME03200000	58	25·26	EA9500B0100	64	48
B2416280000	38	40	BP500000000	26	17	EA9500B0100	70	40
B2417280000	38	41	BT0400251EB	50	18	EA9500B0100	72	19
B242328000A	38	35~39	BT0400251EB	72	30~32	EA9500B0100	76	21
B242328000B	38	35~39	BT0400251EB	76	19	EA9500B0200	6	38
B242328000C	38	35~39	BT0600401EB	54	8	EA9500B0200	22	23
B242328000D	38	35~39	BT0600401EB	76	15	G5430116000	54	17
B242328000E	38	35~39	BT0700500EA	26	19	G611387500A	10	74
B2525223C00	48	1	CM100100001	6	32	G8124270000	54	14
B2526223C00	48	2	CM200100001	64	49	GAF01007000	16	49
B2534223C00	42	19	CM300100003	58	27	GAF01007000	30	65
B2537221D00	48	4	CM300100401	58	23·24	GEP01013000	72	20
B2539223C00	42	22	CM300200001	4	55	GPK470010AB	68	57
B2548223C00	42	30	CM300200001	52	56	GPK470010AB	76	18
B2549223C00	42	31	CM300400601	58	28·29	HA005820000	58	16
B2560220000	52	47	CM300400701	58	28·29	HA005820000	66	13
B2563215000	52	57	CM301200001	6	1	HA006000000	32	19
B2567223C00	50	31	CM600100101	6	33	HD00057000A	24	48
B2567223CA0	50	30	CM600100101	58	14	HD00057000A	38	17
B2568223C00	50	20	CM600100101	64	52	HD00057000A	42	40
B2568224C00	50	27	CM600100201	74	17	HD00057000A	66	12
B2569229000	50	36	CQ200000000	26	18	HD00204000A	66	17
B2626372000	26	13	CQ200000000	30	69	HD00204000B	66	19
B3120372000	2	41	CQ303000000	18	3	HD002780000	66	27
B3126012000	4	50	CS079073ASH	18	33	HF00130315S	58	20~22
B3538112000	26	25	CS0800881TP	22	29	HF0013050P0	58	20~22
B4022221D00	44	79	CS0800971TP	26	31	HF003000200	58	20~22
B471122000C	50	8	CS1000811SP	28	27	HK034610020	32	17
B471122000D	50	9	CS100081CSP	28	26	HK034610040	54	19
B471122000G	50	10	CS1200981TP	44	90	HK034640000	54	20
B471122000H	50	11	D1830141EA0	26	1	HK03464000B	32	18
B47152150A0	54	12	D1837145EAA	26	22	HN001490000	64	47
B8111220000	10	85	D7133555B00	4	51	HN002840000	38	16
B8112220000	10	83	D8001D15A0Y	72	3	HW002180200	58	15
B8117223C00	70	22	D8002D15A0Y	72	28	HW200390000	32	20
B8118223C00	70	23	D9117141E00	26	23	HW500070000	32	21

NUMERICAL INDEX OF PARTS

PART NO	PAGE	REF NO.	PART NO	PAGE	REF NO.	PART NO	PAGE	REF NO.
HX00147000J	64	58	NM6050001SP	42	37	PX950009000	54	22
HX00150000A	6	42	NM6080001SC	62	44	RC0100001KP	28	36
HX00150000B	70	45	NM6080001SC	64	44	RC0370411KP	32	24
HX00150000C	40	53	NM6080001SC	70	37	RC0560711KP	6	21
HX00150000D	6	35	NM6100001SE	70	15	RC0650811KP	18	25
HX00150000E	6	41	NM6120001SE	70	16	RC1200001KP	30	59
HX00150000E	72	37	NM6120011SF	8	5	RC1411018KP	28	25
HX00150000E	76	24	NM6160001SC	70	17	RC3781518KP	18	20
HX00150000F	6	34	NS6090310SP	32	22	RE0300000K0	50	12
HX00150000H	6	36	NS6110310SP	4	48	RE0320000K0	50	25
HX00150000H	70	38	PA1602509A0	50	6	RE0400000K0	6	22
HX002330000	50	19	PC012401000	50	26	RE0500000K0	32	25
HX00307000D	12	89	PC012406000	76	9	RE0600000K0	42	39
HX00314000A	72	18	PF0552040B0	54	13	RE0700000K0	22	35
HX00326000B	70	26	PJ030520001	54	16	RE0900000K0	34	3
HX00326000G	70	28	PJ046052503	50	7	SB104001600	14	21
HX00326000K	64	45	PJ301040501	72	13	SB108000500	22	26
HX00326000M	70	27	PJ301040505	54	3	SB108000500	42	43
HX003390000	10	64	PJ301060003	54	10	SB108002200	14	20
HX003390000	62	18	PJ301065103	54	6	SB108002300	14	24
HX00354000B	58	12	PJ303040002	72	29	SB110000400	28	35
HX00364000E	52	53	PJ304065201	76	4	SB110002400	40	52
HX004070000	62	26	PJ305065107	76	7	SB112000200	30	57
HX00410000A	62	32	PJ305065202	54	15	SB115000600	42	44
HX00418000E	64	57	PJ305065204	76	5	SB117000400	28	2
HX005110000	62	39	PJ308040002	72	27	SB117000900	42	46
KM000000480	62	23	PJ308040002	76	20	SB117001000	28	5
M300451100A	58	19	PJ308060005	76	8	SB117001100	28	14
M3801476000	62	6	PJ309005203	54	18	SB120000900	14	1
M4206461000	62	10	PS0150065KP	10	67	SB120001700	14	6
M90295800A0	64	53	PS0150065KP	50	32	SB120001800	14	4
M90345800A0	58	31	PS0250062KH	8	28	SB130000200	44	48
MC372001600	14	37-38	PS0400141KH	70	29	SB130000300	44	49
MC372001602	74	3-4	PS0400142KH	16	47	SB30700020A	16	64~67
MDP170B2300	14	37-38	PS0400142KH	30	63	SB30700020B	16	64~67
MDP170B2302	74	3-4	PV010502000	72	12	SB30700020C	16	64~67
NM3040520SC	62	25	PV1351270A0	54	5	SB30700020D	16	64~67
NM3050610SF	8	13	PV135207000	76	3	SB31000080A	28	21~24
NM6040000SN	2	15	PV150209100	54	4	SB31000080B	28	21~24
NM6040001SP	38	9	PV155113000	76	6	SB31000080C	28	21~24
NM6040002SE	56	32	PV915005000	54	2	SB31000080D	28	21~24
NM6040003SC	34	18	PX020002000	72	11	SB312000600	44	87
NM6050001SC	32	23	PX055104000	54	7	SB408000100	22	13
NM6050001SE	56	24	PX500014000	72	14	SB412000100	48	3
NM6050001SP	38	12	PX950001000	76	17	SB612000100	44	89

NUMERICAL INDEX OF PARTS

PART NO	PAGE	REF NO.	PART NO	PAGE	REF NO.	PART NO	PAGE	REF NO.
SD0800327TP	38	11	SL6082092TN	64	60	SM6031402TP	44	51
SD0800336TP	20	59	SL6083092TN	62	7	SM6040450TP	44	82
SD0800337TP	22	25	SL9061600SF	10	66	SM6040602TP	20	52
SD0800346TP	30	52	SL9082093SE	70	18	SM6040602TP	24	51
SD0800386TP	18	35	SM1030601SP	8	32	SM6040602TP	26	26
SD0800387TP	22	40	SM1040650TP	38	56	SM6040602TP	44	96
SD0800408TP	18	38	SM1040650TP	40	56	SM6040602TP	46	96
SD0800656TP	20	60	SM1040801SP	8	31	SM6040650TP	2	44
SD0800746TP	18	10	SM1040870TP	8	65	SM6040650TP	8	35
SD1000506TP	18	37	SM1040870TP	10	65	SM6040650TP	28	46
SK3271301SE	70	42	SM1040870TP	30	47	SM6040650TP	38	20
SK3413201SE	60	35	SM1040870TP	52	50	SM6040800SP	26	5
SL4030681SC	58	11	SM1041601SC	10	76	SM6040802TP	6	39
SL4030881SC	58	13	SM1061201SN	70	21	SM6040802TP	10	97
SL4030881SC	64	59	SM4030301SC	38	33	SM6040802TP	12	97
SL4031091SC	24	49	SM4030401SC	8	29	SM6040802TP	34	16
SL4031091SC	32	30	SM4030601SN	2	36	SM6040802TP	40	54
SL4031091SC	38	18	SM4030601SN	32	29	SM6040802TP	42	42
SL4031091SC	42	41	SM4030801SC	12	95	SM6040860TP	2	18
SL4031481SC	10	86	SM4040655SP	2	42	SM6040860TP	10	47
SL4031691SC	76	11	SM4040655SP	8	34	SM6040860TP	34	13
SL4032591SC	76	12	SM4040855SP	2	38	SM6040860TP	74	14
SL4040691SC	12	91	SM4040855SP	32	37	SM6041150TP	6	27
SL4040881SC	62	21	SM4041001SC	8	36	SM6041202TP	44	56
SL4040891SC	6	30	SM4041001SC	56	28	SM6041402TN	10	70
SL4040891SC	10	63	SM4041055SP	2	32	SM6041402TP	24	54
SL4040891SC	54	11	SM4041055SP	8	33	SM6041602TP	14	40
SL4040891SC	62	38	SM4041201SC	56	30	SM6050652TP	44	77
SL4040891SC	70	39	SM4041255SP	50	44	SM6050800SP	44	85
SL4040891SC	72	38	SM4041401SC	8	37	SM6050800SP	52	58
SL4040891SC	76	25	SM4042001SC	56	31	SM6050802TP	10	72
SL4041081SC	64	51	SM4050855SP	32	38	SM6050802TP	22	45
SL4041091SC	10	78	SM4051001SN	8	14	SM6051000SP	50	16
SL4041091SC	62	28	SM4051055SP	2	29	SM6051002TP	44	65
SL4041091SC	70	46	SM4051255SP	44	70	SM6051002TP	50	23
SL4041091SE	58	17	SM4051405SE	56	23	SM6051202TP	44	67
SL4043591SC	62	24	SM4051655SP	26	11	SM6051402TP	42	11
SL4051091SC	54	24	SM4051655SP	40	50	SM6051402TP	48	9
SL6040892TN	2	34	SM4055001SF	8	6	SM6051602TP	28	12
SL6040892TN	6	40	SM4061255SP	2	13	SM6051602TP	44	71
SL6051092TN	28	38	SM4061255SP	30	50	SM6051602TP	48	6
SL6051292TN	76	16	SM5040655SN	6	24	SM6051802TP	50	37
SL6051492TN	28	33	SM5040655SN	26	10	SM6052002TP	74	21
SL6052592TN	14	41	SM6030602TP	44	50	SM6052502TP	44	60
SL6062592TN	50	21	SM6031002TP	42	32	SM6053052TN	44	59

NUMERICAL INDEX OF PARTS

PART NO	PAGE	REF NO.	PART NO	PAGE	REF NO.	PART NO	PAGE	REF NO.
SM6060802TP	50	29	SM8061612TP	36	47	WP0450846SP	24	52
SM6061010TP	30	53	SM8480652TP	22	10	WP0450846SP	38	44
SM6061202TP	8	42	SM9087533SC	70	31	WP0482086SD	32	34
SM6061402TP	18	24	SM9124503SB	8	7	WP0510516SD	34	45
SM6061602TP	50	41	SM9129013SB	70	19	WP0520656SA	10	73
SM6061802TP	22	21	SS1060210TP	38	26	WP0520656SA	22	38
SM6061802TP	38	46	SS1110640TP	18	30	WP0522016SH	22	39
SM6062502TN	52	54	SS6090910SP	18	41	WP0531000SD	26	12
SM6087002TN	64	61	SS6110430TP	38	42	WP0531000SD	28	13
SM6450610TP	10	55	SS6111210SP	72	7~10	WP0531000SD	42	93
SM6450610TP	26	3	SS7110740TP	38	43	WP0531000SD	44	93
SM7030450SC	10	71	SS7111120TP	72	4~6	WP0531000SD	46	93
SM7751160TP	20	51	SS7111810TP	18	42	WP0531000SD	48	12
SM8030412TP	16	63	SS8110410TP	18	34	WP0531000SD	50	51
SM8030412TP	34	7	SS8110520TP	28	28	WP0531000SD	52	51
SM8040310SS	16	53	SS8660522TP	26	35	WP0531001SC	32	40
SM8040412TP	4	54	SS8660612TP	28	8	WP0531001SC	56	22
SM8040412TP	32	26	SS8660612TP	42	36	WP0553216SD	72	7~10
SM8040502TP	28	67	SS9151240SN	8	8	WP0561616SC	8	9
SM8040502TP	30	67	TA0550604R0	20	61	WP0611626SP	18	9
SM8040802TP	6	26	TA0550604R0	28	31	WP0611626SP	50	39
SM8050412TP	22	43	TA0750404R0	12	93	WP0641600SC	50	55
SM8050412TP	44	73	TA0750404R0	18	21	WP0641600SC	52	55
SM8050412TP	52	48	TA0850604R0	2	23	WP0641601SC	8	43
SM8050502TP	6	25	TA1050504R0	2	24	WP0641601SD	30	54
SM8050512TP	26	32	TA2100904R0	2	10	WP0651001SC	40	47
SM8050592TP	38	22	TA2100904R0	10	75	WP0820516SP	14	15
SM8050592TP	44	91	TA2351004R0	2	27	WP0841601SC	62	62
SM8050612TP	26	7	WP0320500SC	38	34	WP0841601SC	64	62
SM8050612TP	28	19	WP0320501SC	32	31	WP0841601SC	70	33
SM8050612TP	44	75	WP0320501SD	44	98	WP0850002SP	22	14
SM8050812TP	50	22	WP0320501SD	46	98	WP1021016SD	28	37
SM8060552TP	46	95	WP0330501SB	8	38	WP1221016SP	18	27
SM8060602TP	22	19	WP0430800SC	20	54	WP1221016SP	30	58
SM8060602TP	48	8	WP0430800SD	42	45	WP1302501SC	70	10
SM8060612TP	28	16	WP0430800SD	50	45	WP1302501SE	8	10
SM8060802TP	44	63	WP0430801SC	34	10	WP1612616SE	56	15
SM8060812TP	14	3	WP0450000SD	8	40	WS0451040KP	4	52
SM8060812TP	18	66	WP0450801SD	2	39	WS0451040KP	72	7~10
SM8060812TP	20	66	WP0450801SD	8	39	WS0510002KN	56	21
SM8060812TP	22	34	WP0450801SD	72	7~10	WS0610002KP	50	38
SM8060812TP	28	30	WP0450801SP	10	58	WS0820002KN	62	34
SM8060812TP	38	14	WP0450801SP	32	39	WS0820002KN	70	35
SM8060812TP	44	64	WP0450826SC	6	23	WS1220002KN	70	11
SM8061612TP	14	36	WP0450846SP	12	99	WS1253010KN	8	11

NUMERICAL INDEX OF PARTS

PART NO	PAGE	REF NO.
WZ0850302K0	22	28