

MODEL : LU-2810ES-7,LU-2818ES-7

List No : 1691-01

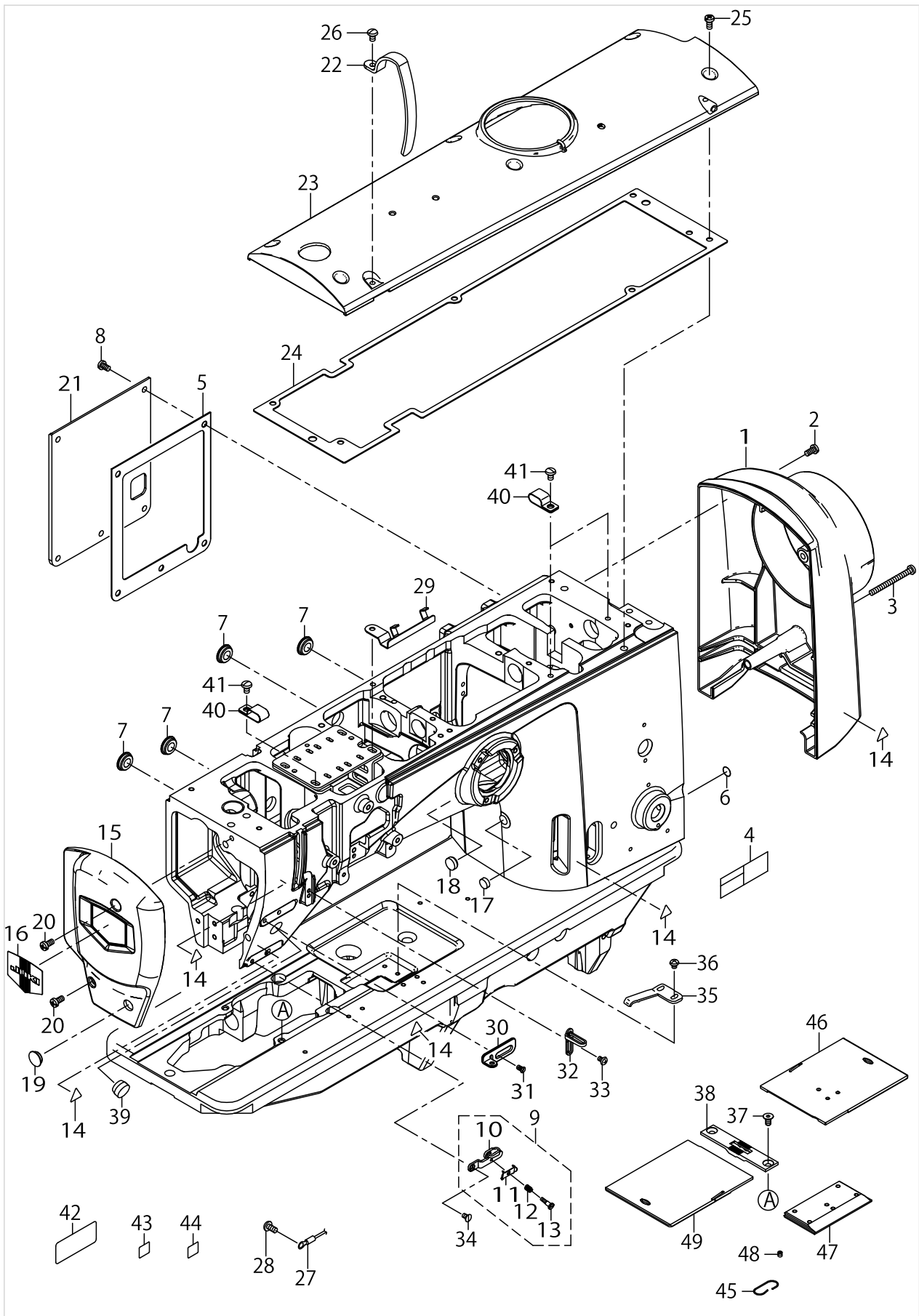
PARTS LIST

Published:05/12/2017

CONTENTS

FRAME & MISCELLANEOUS COVER COMPONENTS	1
MAIN SHAFT & THREAD TAKE-UP LEVER COMPONENTS	5
NEEDLE BAR COMPONENTS	9
LOWER SHAFT COMPONENTS.....	11
OPENNER COMPONENTS	15
HOOK COMPONENTS.....	17
UPPER FEED COMPONENTS.....	19
HAND LIFTER & AUTO LIFTER COMPONENTS.....	25
LOWER FEED COMPONENTS	27
FEED ADJUST COMPONENTS.....	33
DL COMPONENTS.....	39
AUTO BT COMPONENTS	41
6-RANGE SW COMPONENTS	43
SPEED ADJUST COMPONENTS	45
THREAD CUTTING COMPONENTS.....	47
CONDENSE COMPONENTS.....	51
THREAD TENSION COMPONENTS	53
TENSION RELEASE COMPONENTS	55
PNEUMATIC COMPONENTS	57
BOBBIN WINDER COMPONENTS.....	59
LUBRICATION COMPONENTS	61
THREAD STAND COMPONENTS.....	65
BOTTOM COVER COMPONENTS.....	67
ACCESSORIES PARTS COMPONENTS	69
TABLE OF EXCHANGING GAUGE PARTS.....	71
TABLE OF EXCHANGING GAUGE PARTS SET.....	72
TABLE OF OPTIONAL GAUGE PARTS (1)	73
TABLE OF OPTIONAL GAUGE PARTS (2)	74
TABLE OF OPTIONAL GAUGE PARTS (3)	75
OPTIONAL PARTS	76
LIST FOR INFORMATION OF CHANGE.....	78
CORRECTION AND SUPPLEMENT (1).....	79
CORRECTION AND SUPPLEMENT (2).....	80
HOW TO MAKE USE OF THIS PARTS LIST	81

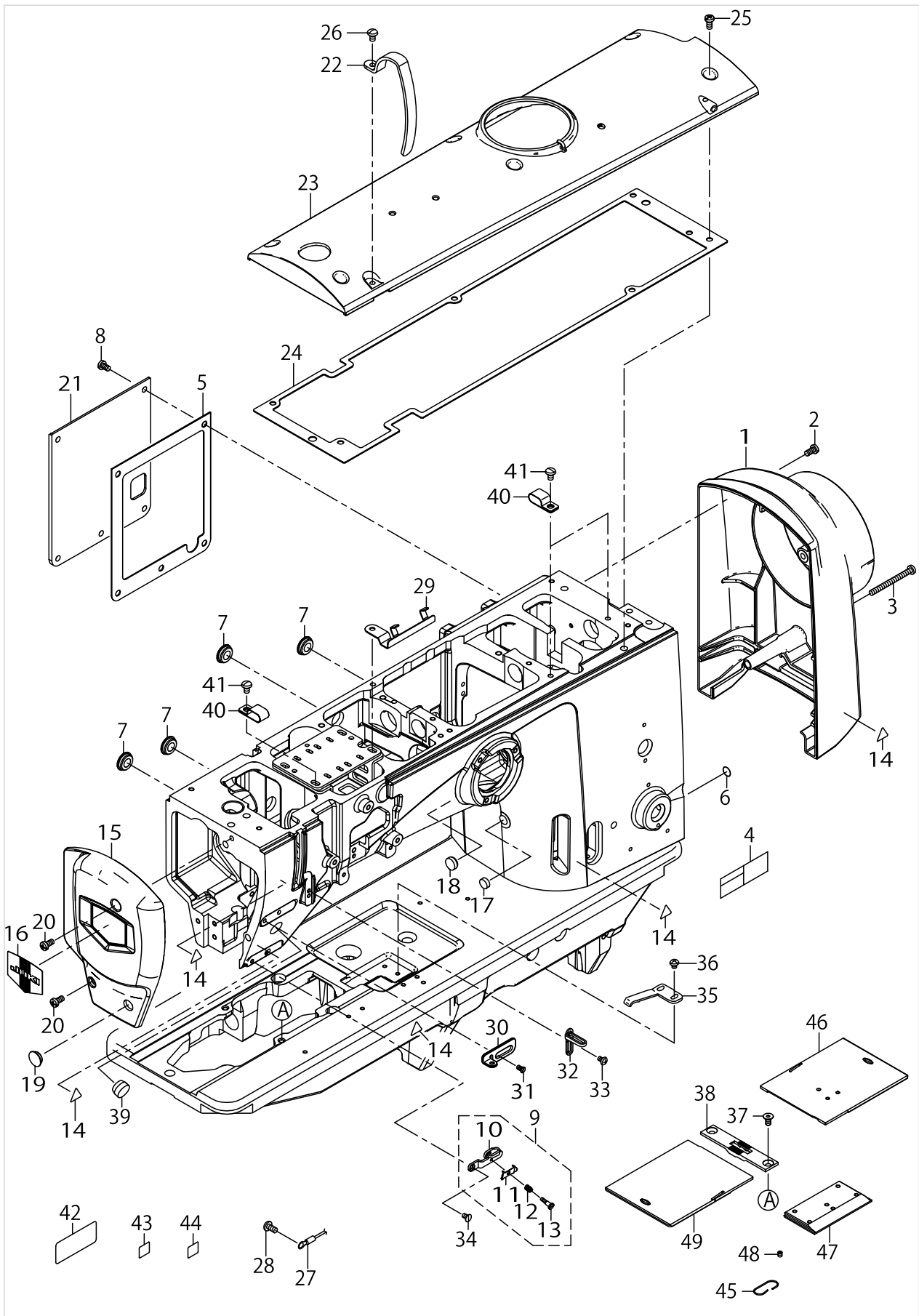
FRAME & MISCELLANEOUS COVER COMPONENTS



FRAME & MISCELLANEOUS COVER COMPONENTS

No.	Supply Code	Parts No.	Replacement	Parts name	Remarks	Choice	Step	Level	Cons	Qty	Rep. QTY
1		40169640		MOTOR_COVER						1	
2		SM4051055SP		SCREW						2	
3		SM4055501SC		SCREW M5X0.8 L=55						1	
4		40102261		SAFETY_LABEL_S						1	
5		40151799		WINDOW_PLATE_PACKING						1	
6		22901805		GROUND MARK						1	
7		TA1650406R0		PRUG						4	
8		SM4051055SP		SCREW						5	
9		40034675		THREAD_GUIDE_ASM_E						1	
10		40034674		THREAD_GUIDE				*		1	
11		40042716		THREAD_PRESSER_PLATE				*		1	
12		B1132521000		THREAD PRESSER PLATE SPRING				*		1	
13		SD0380556TL		SHOULDER SCREW D=3.8 H=5.5				*		1	
14		CM300200001		FINGER INJURY CAUTION LABEL (16)						5	
15		40130704		FACE_PLATE						1	
16		22902506		PLATE						1	
17		TA1030402R0		RUBBER PLUG D=10.3 L=4						1	
18		TA1270502R0		RUBBER PLUG						1	
19		TA1250406R0		RUBBER PLUG D=12.5 L=4						1	
20		SM4051055SP		SCREW						2	
21		40129995		APERTURE_COVER						1	
22		40134834		THREAD_TAKE_UP_LEVER COVER						1	
23		40148283		TOP COVER LP						1	
24		40147919		TOP_COVER_PACKING						1	
25		SM4051055SP		SCREW						6	
26		SM4040855SP		SCREW						1	
27		22951552		GROUND WIRE ASM.						1	
28		SM4051055SP		SCREW						1	
29		40134805		CABLE HOLDER						1	
30		40169642		THREAD_GUIDE_B						1	
31		SM1040750TP		SCREW M4 L=7						1	
32		40126221		THREAD_GUIDE						1	
33		SM4040655SP		SCREW M4 L=6						1	
34		SM1040750TP		SCREW M4 L=7						1	
35		B1111563000		BED SLIDE SPRING						1	
36		SM4040655SP		SCREW M4 L=6						2	
37		SM1051052TN		PLATE SCREW M5 L=10						2	
38		40147949		THROAT_PLATE_2818AL	EXCHANGI- NG GAUGE PARTS (SEE.P.43)					1	
39		TA1550902R0		PLUG						1	
40		D2112555B00		CORD HOLDER						3	
41		SM4050855SP		SCREW						3	
42	D	40094561		SEWING MACHINE LABEL (EU)	FOR JE					1	
43		CM600100101		WEEE MARK LABEL S	FOR JE					1	
44		40150131		EAC_MARK_LABEL_S	FOR JE					1	
45		B111105100B		SPRING						1	

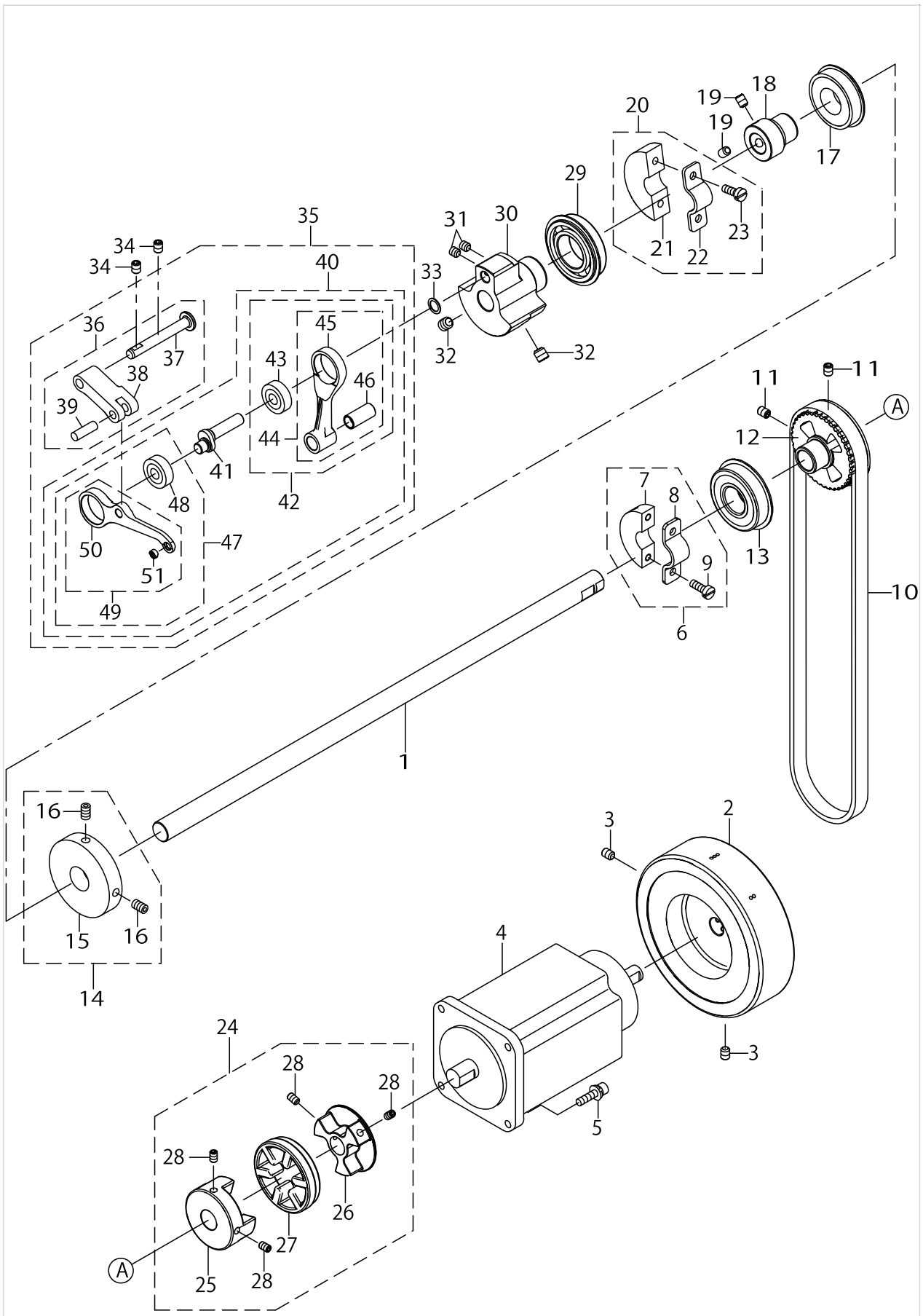
FRAME & MISCELLANEOUS COVER COMPONENTS



FRAME & MISCELLANEOUS COVER COMPONENTS

No.	Supply Code	Parts No.	Replacement	Parts name	Remarks	Choice	Step	Level	Cons	Qty	Rep. QTY
46		40147944		SLIDE_PLATE_2810R	EXCHANGI- NG GAUGE PARTS (SEE.P.43)					1	
47		40147918		SLIDE_PLATE_FRONT	EXCHANGI- NG GAUGE PARTS (SEE.P.43)					1	
48		SM8040412TP		SET SCREW M4 L=4						3	
49		40112224		SLIDE_PLATE_2810L	EXCHANGI- NG GAUGE PARTS (SEE.P.43)					2	

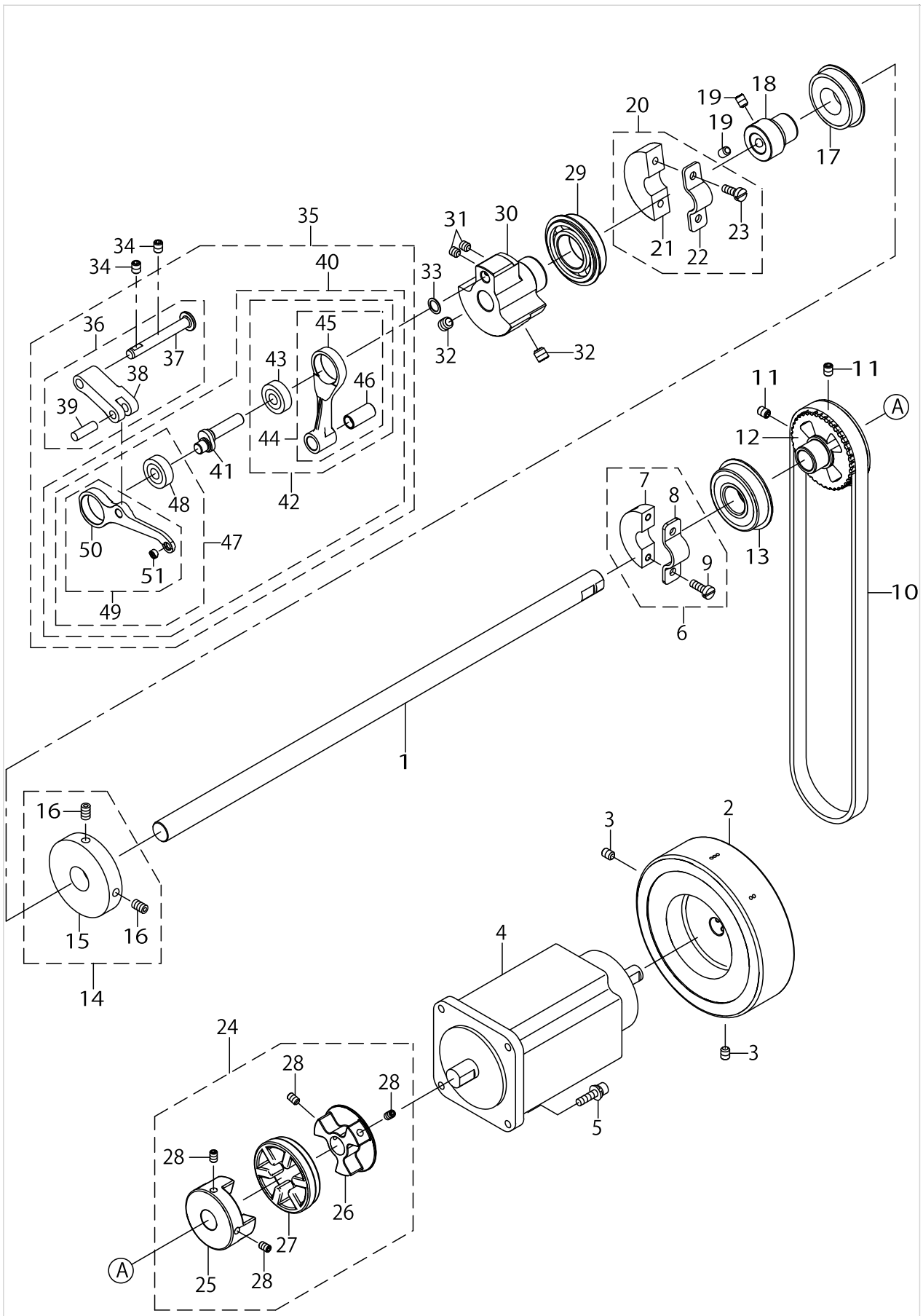
MAIN SHAFT & THREAD TAKE-UP LEVER COMPONENTS



MAIN SHAFT & THREAD TAKE-UP LEVER COMPONENTS

No.	Supply Code	Parts No.	Replacement	Parts name	Remarks	Choice	Step	Level	Cons	Qty	Rep. QTY
1		40112087		MAIN_SHAFT_DD						1	
2		40169644		HAND_WHEEL						1	
3		SM80608A2TP		SCREW M6 L=8						2	
4		40169647		SERVO_MOTOR_800W						1	
5		SL6052092TN		SCREW						4	
6		40169700		CRANK_BALANCER_ASM						1	
7		40169701		CRANK_BALANCER				*		1	
8		40010439		CRANK_BALANCER_FIX_PLATE				*		1	
9		40010440		CRANK_BALANCER_- FIX_PLATE_SCREW				*		2	
10		40112274		TIMING_BELT					☆	1	
11		SM80608A2TP		SCREW M6 L=8						2	
12		40126321		SPROCKET_UPPER						1	
13		40143088		BEARING						1	
14		40010533		BTW_DRIVING_WHEEL_ASM.						1	
15	R	40010534	40010533	BTW_DRIVING_WHEEL				*		1	1.00
16		40010535		DRIVING_WHEEL_SCREW				*		2	
17		SB120001800		BEARING						1	
18		23605207		MAIN SHAFT BEARING SUPPORT						1	
19		SM80608A2TP		SCREW M6 L=8						2	
20		40010437		CRANK_BALANCER_ASM						1	
21	R	40010438	40010437	CRANK_BALANCER				*		1	1.00
22		40010439		CRANK_BALANCER_FIX_PLATE				*		1	
23		40010440		CRANK_BALANCER_- FIX_PLATE_SCREW				*		2	
24		40112312		COUPLING_ASSY						1	
25	R	40130277	40112312	HUB_L				*		1	1.00
26		40112106		HUB_R				*		1	
27	R	40125950	40112312	SPIDER				*		1	1.00
28		SM8050812TP		SCREW M5X8				*		4	
29		40143083		BEARING						1	
30		40112091		COUNTER_WEIGHT						1	
31		SM8060612TP		SCREW M6 L=6						2	
32		SM8080812TP		SCREW M8X8						2	
33		WP0820516SP		WASHER 11.6X8.2X0.6						1	
34		SM8060812TP		SCREW M6 L=8						2	
35		40160240		THREAD_TAKE_UP_COMP_L						1	
36		40143077		TAKE_UP_CRANK_ASM				*		1	
37		40011902		THREAD_TAKE_UP_CRANK_SHAFT				*		1	
38		40125930		TAKE_UP_LEVER_CRANK				*		1	
39		10721504		FEED ADJUSTING PIN				*		1	
40		40160241		THREAD_TAKE_UP_ASM_L_B				*		1	
41		40112092		NEEDLE_BAR_CRANK				*		1	
42		40143075		NEEDLE_BAR_CRANK_ROD_COMP				*		1	
43		SB108002400		BEARING				*		1	
44		40143076		NEEDLE_BAR_CRANK_ROD_ASM				*		1	
45		40112093		NEEDLE_BAR_CRANK_ROD				*		1	

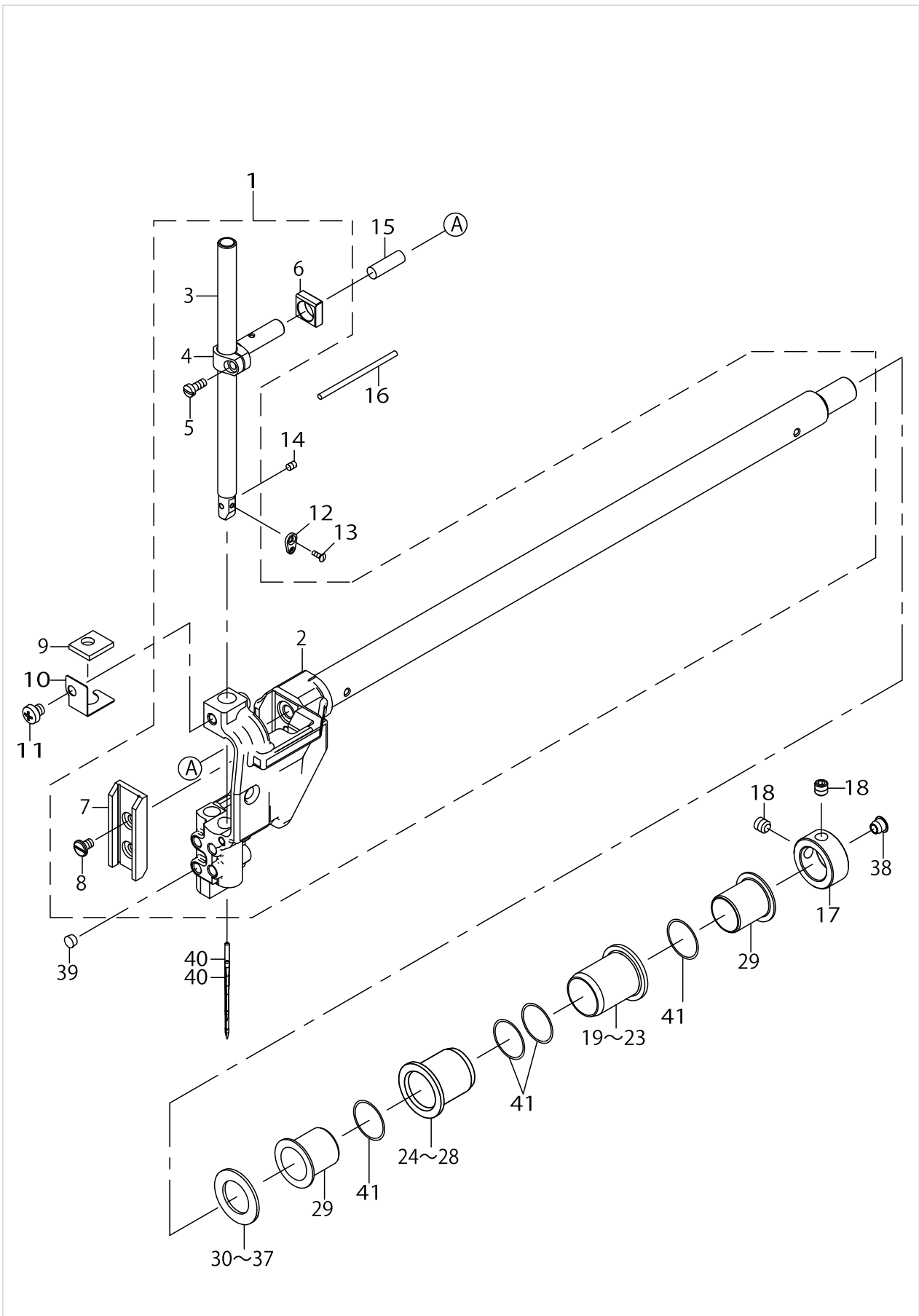
MAIN SHAFT & THREAD TAKE-UP LEVER COMPONENTS



MAIN SHAFT & THREAD TAKE-UP LEVER COMPONENTS

No.	Supply Code	Parts No.	Replacement	Parts name	Remarks	Choice	Step	Level	Cons	Qty	Rep. QTY
46		40112094		CRANK_ROD_BUSH				*		1	
47		40160242		THREAD_TAKE_UP_ASM_L_A				*		1	
48		SB108002400		BEARING				*		1	
49		40134545		THREAD_TAKE_UP_ASM				*		1	
50		40134532		THREAD_TAKE_UP				*		1	
51		10546901		BUSH				*		1	

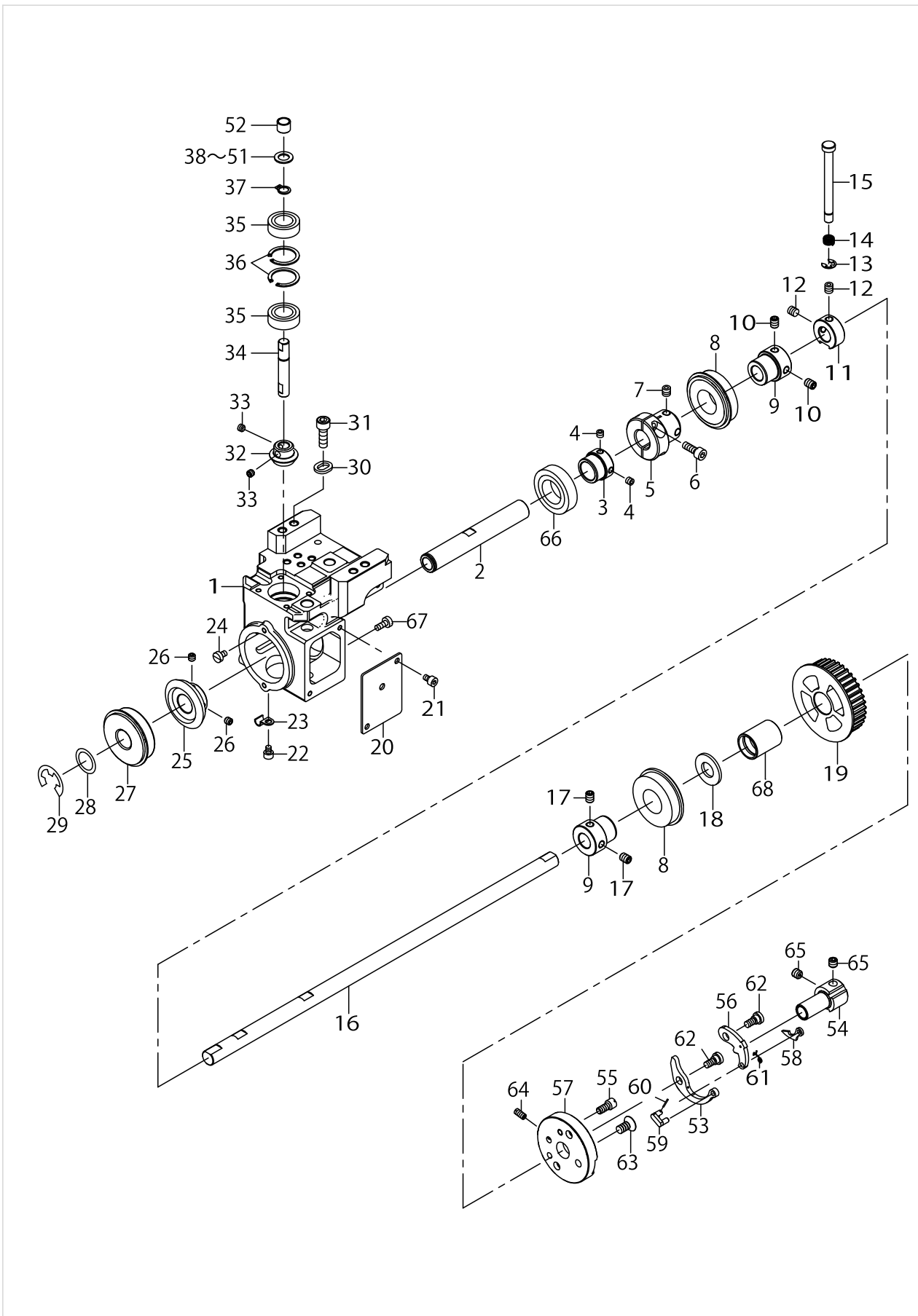
NEEDLE BAR COMPONENTS



NEEDLE BAR COMPONENTS

No.	Supply Code	Parts No.	Replacement	Parts name	Remarks	Choice	Step	Level	Cons	Qty	Rep. QTY
1		40169656		N_B.ROCKING_BASE_ASM_2800ES						1	
2		40169659		N_B.ROCKING_BASE_ASM_ES				*		1	
3		40169657		NEEDLE_BAR_2800ES				*		1	
4		40169658		NEEDLE BAR CONNECTION				*		1	
5		SS7090910TP		SCREW 9/64-40 L=8.5				*		1	
6		40112152		NEEDLE_ROD_SQUARE_BLOCK				*		1	
7		40127041		NEEDLE_BAR_GUIDE				*		1	
8		SM6040650TP		SCREW				*		2	
9		40112272		NEEDLE_BAR_FELT_E						1	
10		40112270		FELT HOLDER						1	
11		SM4050501SC		SCREW M5X0.8 L=5						1	
12		40143221		NEEDLE_BAR_THRE-AD_GUIDE_2810A						1	
13		SS2060310SP		SCREW 3/32-56 L=3						1	
14		SS8080410TP		SCREW 1/8-44 L=3.5						1	
15		B1412051000		FELT						1	
16		CQ252000000		COTTON OIL WICK D=2.5						.05	
17		CS1701181TP		THRUST COLLAR D=17 W=11						1	
18		SM8060612TP		SCREW M6 L=6						2	
19		40171403		NEE_BAR_ROCKING_-SHAFT_B_BUSHING	SELECTIVE PARTS					1	
20		40169649		NEE_BAR_ROCKING_-SHAFT_B_BUSHING	SELECTIVE PARTS					1	
21		40169650		NEE_BAR_ROCKING_-SHAFT_B_BUSHING	SELECTIVE PARTS					1	
22		40174557		NEE_BAR_ROCKING_-SHAFT_B_BUSHING	SELECTIVE PARTS					1	
23		40174558		NEE_BAR_ROCKING_-SHAFT_B_BUSHING	SELECTIVE PARTS					1	
24		40169652		NEE_BAR_ROCKING_-SHAFT_F_BUSHING	SELECTIVE PARTS					1	
25		40169653		NEE_BAR_ROCKING_-SHAFT_F_BUSHING	SELECTIVE PARTS					1	
26		40169654		NEE_BAR_ROCKING_-SHAFT_F_BUSHING	SELECTIVE PARTS					1	
27		40174559		NEE_BAR_ROCKING_-SHAFT_F_BUSHING	SELECTIVE PARTS					1	
28		40174560		NEE_BAR_ROCKING_-SHAFT_F_BUSHING	SELECTIVE PARTS					1	
29		40169651		ROCKING_SHAFT_P-LASTIC_BUSHING						2	
30		B1438512B00		WASHER 17.1X28X1.5	SELECTIVE PARTS					1	
31		22606206		SPACER Y	SELECTIVE PARTS					1	
32		22606305		SPACER Z	SELECTIVE PARTS					1	
33		22607600		SPACER A	SELECTIVE PARTS					1	
34		22607709		SPACER B	SELECTIVE PARTS					1	
35		22607808		SPACER D	SELECTIVE PARTS					1	
36		22607907		SPACER E	SELECTIVE PARTS					1	
37		22606404		SPACER F	SELECTIVE PARTS					1	
38		TA0620504R0		CAP						1	
39		TA0500301R0		PLUG 5X5.8 L=3						4	
40		M13517B1600		NEEDLE 135X17 #160					☆	1	
41		40178188		O-RING						4	

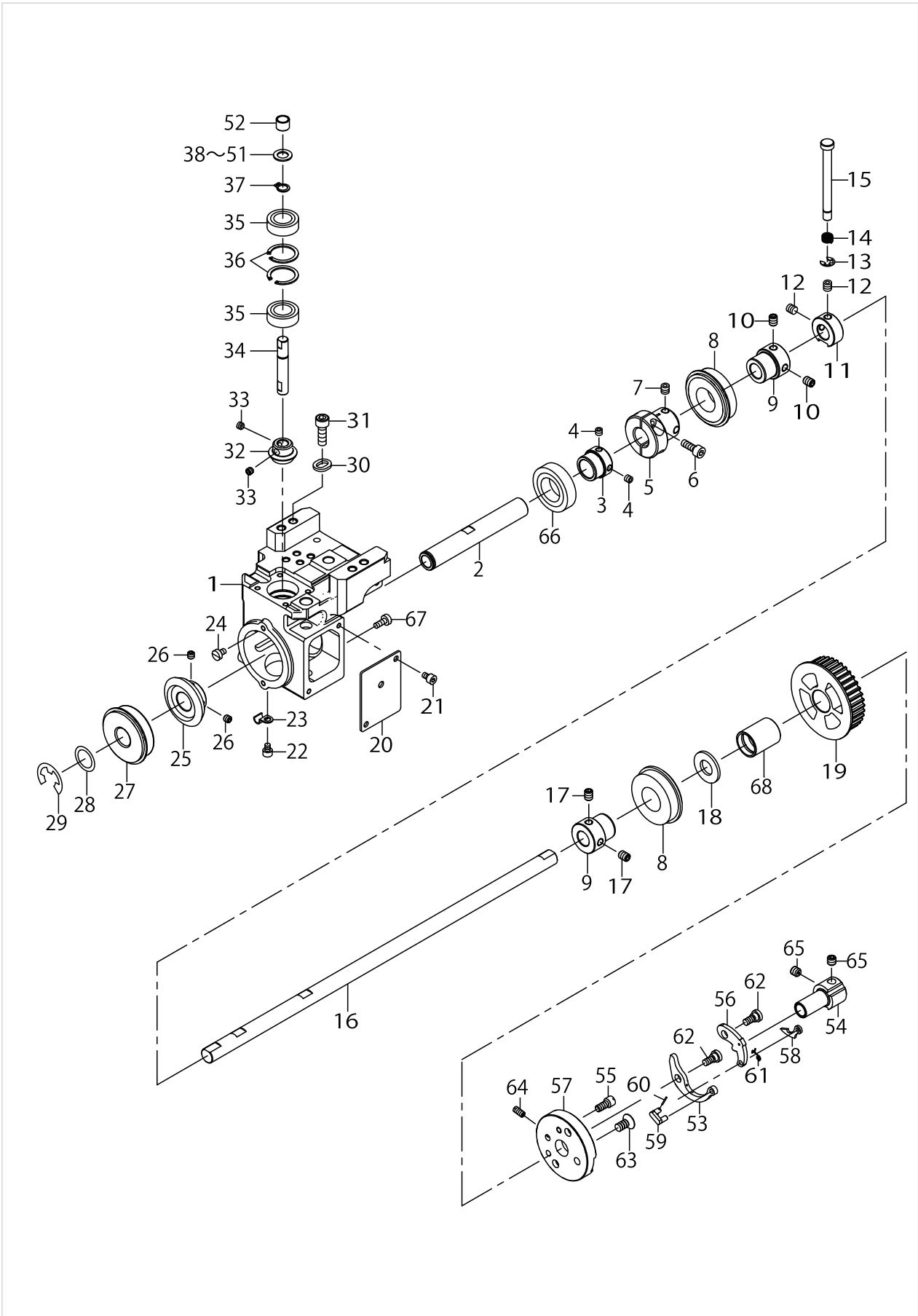
LOWER SHAFT COMPONENTS



LOWER SHAFT COMPONENTS

No.	Supply Code	Parts No.	Replacement	Parts name	Remarks	Choice	Step	Level	Cons	Qty	Rep. QTY
1		40169661		HOOK_SHAFT_BASE_RIGHT_TC						1	
2		40169662		LOWER_SHAFT_C						1	
3		40169663		BEARING_COLLAR						1	
4		SM8050412TP		SCREW M5 L=4						2	
5		40169664		CONNECTING_COLLAR						1	
6		SM6051202TP		SCREW M5X0.8 L=12						2	
7		SM80606A2TP		SCREW M6 L=6						2	
8		SB120001800		BEARING						2	
9		40169668		BEARING_COLLAR						2	
10		SM8060812TP		SCREW M6 L=8						2	
11		40169673		SAFETY_CLUTCH_DISC						1	
12		SM80606A2TP		SCREW M6 L=6						2	
13		RE0500000K0		E-RING						1	
14		B1639051000		SPRING						1	
15		40112240		SAFETY_REVERSE_BUTTON						1	
16		40169667		LOWER_SHAFT						1	
17		SM80606A2TP		SCREW M6 L=6						2	
18		WP1252210SC		WASHER 12.5X25.6X2.2						1	
19		40169671		LOWER_SHAFT_SPROCKET						1	
20		40123340		HOOK_SHAFT_BASE_SIDE_PLATE						1	
21		SM6040602TP		SCREW M4X0.7 L=6						2	
22		SM6040502TP		SCREW M4X0.7 L=5						1	
23		B3538112000		OIL_RETURN_TUBE HOLDER						1	
24		SM6040650TP		SCREW						2	
25		40126372		LOWER_SHAFT_GEAR						1	
26		SM80506A2TP		SCREW M5 L=6						2	
27		40143084		BUSHING						1	
28		D1231555B00		WASHER						1	
29		RE1200000K0		E-RING 12						1	
30		40139043		HOOK_SHAFT_BASE_WASHER_2810						2	
31		SM6061802TP		SCREW M6 L=18						2	
32		40169666		HOOK_SHAFT_GEAR						1	
33		SM8050412TP		SCREW M5 L=4						2	
34		40169665		HOOK_SHAFT						1	
35		SB108000600		BEARING						2	
36	D	RC2400002KP		C-RING 24 (25.9)						2	
37		RC0740816K0		C-RING 8 (7.4)						1	
38		B255728000A		WASHER FOR DRIVING ARM	SELECTIVE PARTS					1	
39		B255728000B		WASHER	SELECTIVE PARTS					1	
40		B255728000C		WASHER	SELECTIVE PARTS					1	
41		B255728000D		WASHER D	SELECTIVE PARTS					1	
42		B255728000E		WASHER	SELECTIVE PARTS					1	
43		40138418		WASHER_T=1.3	SELECTIVE PARTS					1	
44		40138419		WASHER_T=1.4	SELECTIVE PARTS					1	
45		40138420		WASHER_T=1.5	SELECTIVE PARTS					1	
46		40138421		WASHER_T=1.6	SELECTIVE PARTS					1	

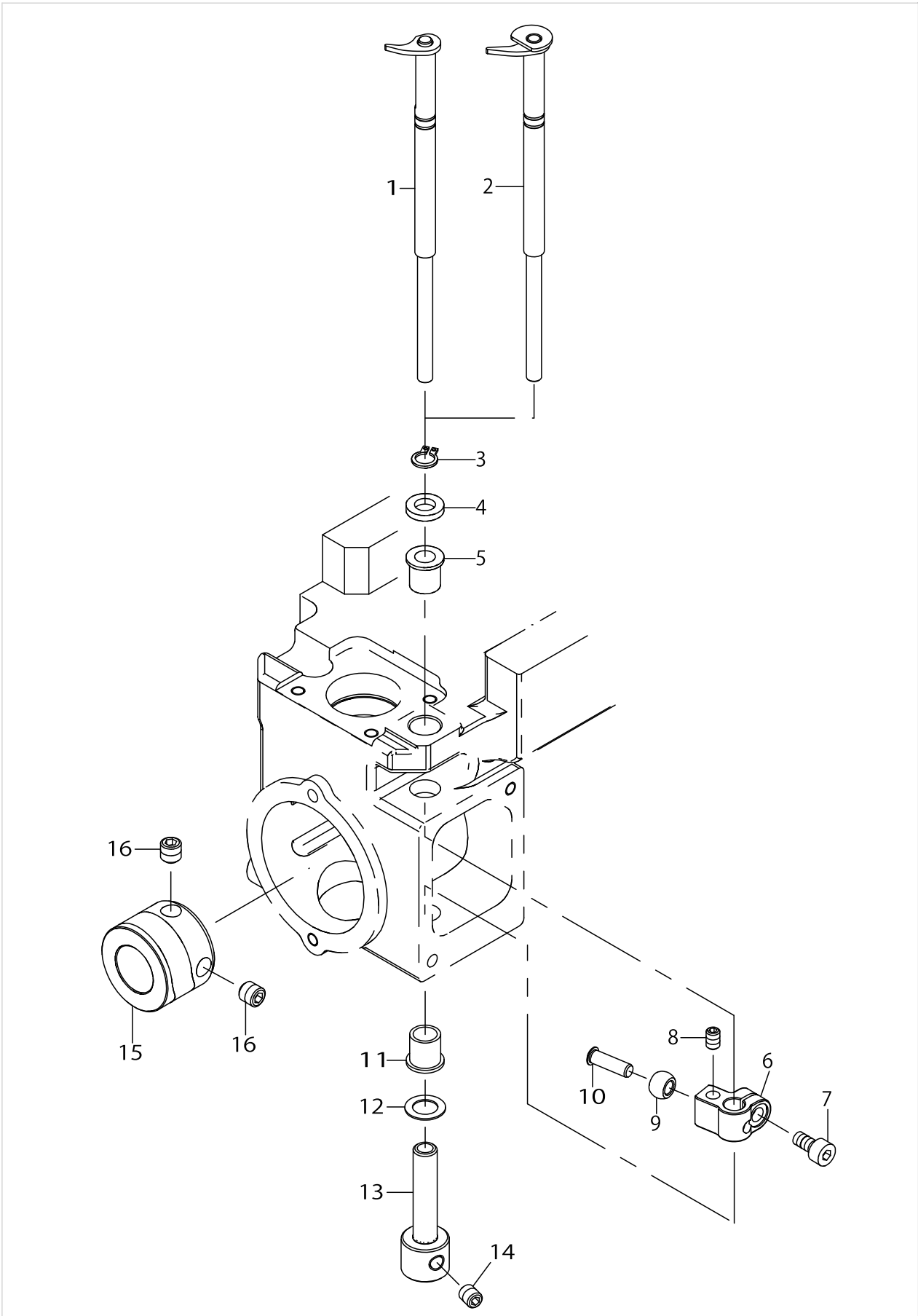
LOWER SHAFT COMPONENTS



LOWER SHAFT COMPONENTS

No.	Supply Code	Parts No.	Replacement	Parts name	Remarks	Choice	Step	Level	Cons	Qty	Rep. QTY
47		40138422		WASHER_T=1.7	SELECTIVE PARTS					1	
48		40138423		WASHER_T=1.8	SELECTIVE PARTS					1	
49		40143185		WASHER_T=0.5	SELECTIVE PARTS					1	
50		40143188		WASHER_T=0.6	SELECTIVE PARTS					1	
51		40143581		WASHER_T=0.7	SELECTIVE PARTS					1	
52		40126382		HOOK_SHAFT_COLLAR						1	
53		21387709		SAFETY CLUTCH SPRING						1	
54		40176783		SAFETY BASE						1	
55		21387907		ADJUSTING PIN (1.2)						1	
56		40169669		SAFETY_CLUTCH_HOOK						1	
57		40169672		CLUTCH_BASE						1	
58		B1308055000		SAFETY CLUTCH COUNTER-HOOK						1	
59		B1310055000		SAFETY CLUTCH SMALL LINK						1	
60		B1314055000		SAFETY CLUTCH SMALL LINK PIN						1	
61		40113224		COUNTER HOOK SPRING						1	
62		SD0640322TP		SHOULDER SCREW D=6.35 H=3.2						2	
63		SM1061201SN		SCREW M6 L=12						2	
64		SS8111010TP		SCREW 11/64-40 L=9.5						1	
65		SM80606A2TP		SCREW M6 L=6						2	
66		SB120003200		BEARING						1	
67		SM6041050SN		SCREW M4 L=10						1	
68		40178330		SAFETY_BASE_BUSHING						1	

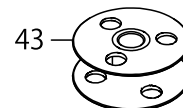
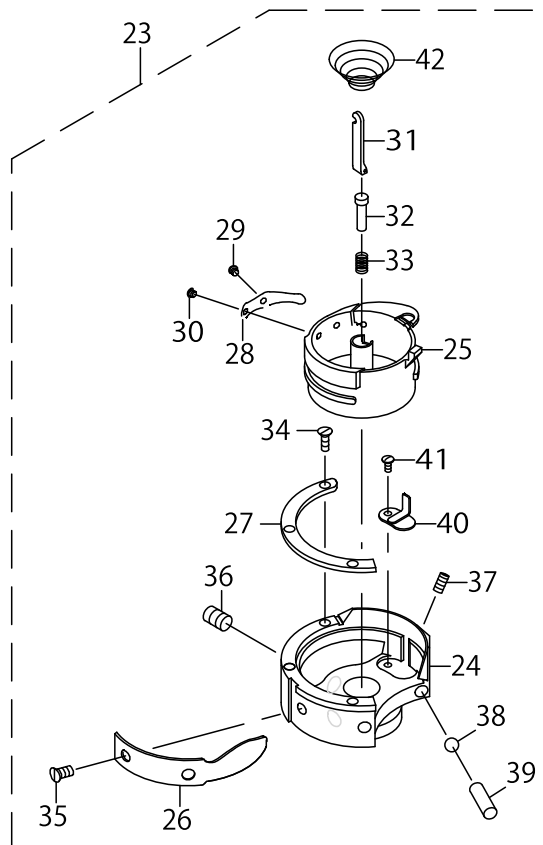
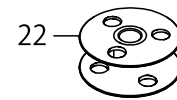
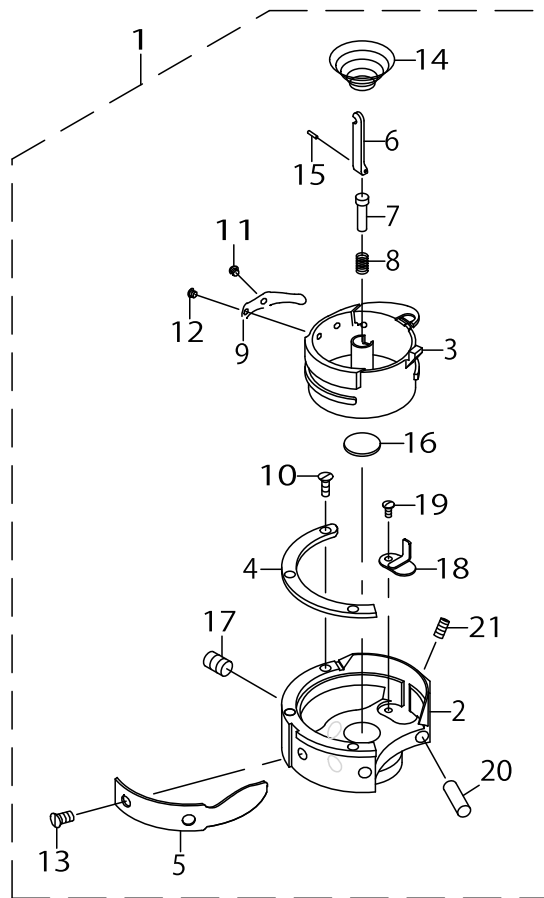
OPENNER COMPONENTS



OPENNER COMPONENTS

No.	Supply Code	Parts No.	Replacement	Parts name	Remarks	Choice	Step	Level	Cons	Qty	Rep. QTY
1		40147915		OPENER_ASM_XXL	FOR LU-2818ES-7				☆	1	
2		40137431		OPENER_ASM_L	FOR LU-2810ES-7				☆	2	
3		RC0560711KP		C-RING 6(5.6)						1	
4		WP0612066SP		WASHER 6.1X11X2						1	
5		40112252		OPENER_METAL						1	
6		40135475		OPENER_DRIVING_ARM						1	
7		SM6040802TP		SCREW M4X0.7 L=8						2	
8		SM8040612TP		SCREW M4 L=6						2	
9		40126351		OPENER_CAM_ROLLER						2	
10		40126360		OPENER_CAM_ROLLAR_SHAFT						2	
11		40135473		OPENER_METAL						1	
12		WP0740516SP		WASHER 7.4X11.8X0.5						1	
13		40135472		OPENNER_SLEEVE						1	
14		SM8050612TP		SCREW M5X6						2	
15		40126391		OPENER_CAM_R						1	
16		SM8060612TP		SCREW M6 L=6						2	

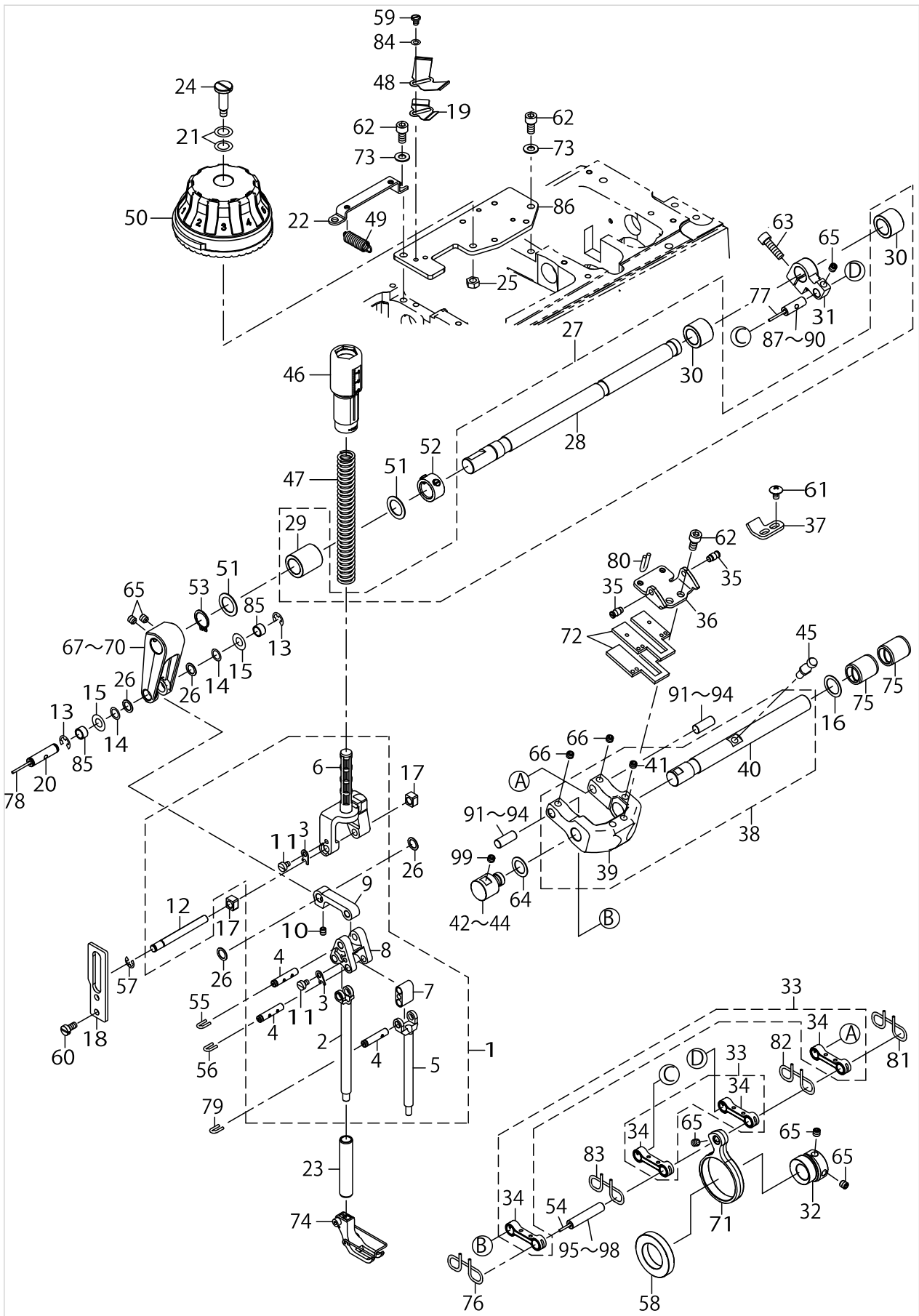
HOOK COMPONENTS



HOOK COMPONENTS

No.	Supply Code	Parts No.	Replacement	Parts name	Remarks	Choice	Step	Level	Cons	Qty	Rep. QTY
1	R	40142204	40131956	HOOK_T_ASM	FOR LU-2810ES-7					1	1.00
2		40169451		OUTER_HOOK				*		1	
3		40169452		INNER_HOOK				*		1	
4		40169433		INNER_HOOK_HOLDER				*		1	
5		40169434		NEEDLE HOLDER				*		1	
6		40169435		BOBBIN_PRESSER				*		1	
7		40169436		BOBBIN_PRESSER_PIN				*		1	
8		40169437		BOBBIN_PRESSER_SPRING				*		1	
9		40169453		TENTION_SPRING				*		1	
10		40169439		INNER_HOOK_HOLDER_SETSCREW				*		3	
11		40169454		ADJUSTING_SCREW				*		1	
12		40169455		TENTION_SPRING_SETSCREW				*		1	
13		40169442		NEEDLE HOLDER_SETSCREW				*		2	
14		40169443		IDLING_PRIVENTION_SPRING				*		1	
15		40169444		BOBBIN_PRESSER_PIN				*		1	
16		40169445		SHAFT_COVER				*		1	
17		40169446		OUTER_HOOK_SETSCREW				*		2	
18		40169447		OIL_COVER				*		1	
19		40169448		OIL_COVER_SETSCREW				*		1	
20		40169449		SLIDE_PIN				*		1	
21		40169450		NEEDLE HOLDER A-DJUSTING_SCREW				*		1	
22		21334800		ALUMINUM BOBBIN WITH KNURL	FOR LU-2810ES-7				☆	1	
23		40147985		TRIM HOOK ASM. XXL LP	FOR LU-2818ES-7				☆	1	
24		40149030		OUTER_HOOK				*	☆	1	
25		40149038		INNER_HOOK				*	☆	1	
26		40149032		NEEDLE HOLDER				*	☆	1	
27		40149033		INNER_HOOK_HOLDER				*	☆	1	
28		40079898		TENTION SPRING				*	☆	1	
29		40079899		ADJUSTING SCREW				*	☆	1	
30		40079900		TENTION SPRING SETSCREW				*	☆	1	
31		40149034		BOBBIN_PRESSER				*	☆	1	
32		40079902		PRESSER LIFTER				*	☆	1	
33		40079903		PRESSER LIFTER SPRING				*	☆	1	
34		40149035		INNER_HOOK_HOLDER_SETSCREW				*	☆	3	
35		40149036		NEEDLE HOLDER_SETSCREW				*	☆	2	
36		40075542		OUTER_HOOK_SETSCREW				*	☆	2	
37		40079909		NEEDLE HOLDER A-DJUSTING SCREW				*	☆	1	
38		40148037		BALL				*	☆	1	
39		40149037		SLIDE_PIN				*	☆	1	
40		40075547		OIL_COVER_SETSCREW				*	☆	1	
41		40075548		OIL_COVER				*	☆	1	
42		40079912		IDLING PRIVENTION SPRING				*	☆	1	
43		40147913		BOBBIN	FOR LU-2818ES-7				☆	1	

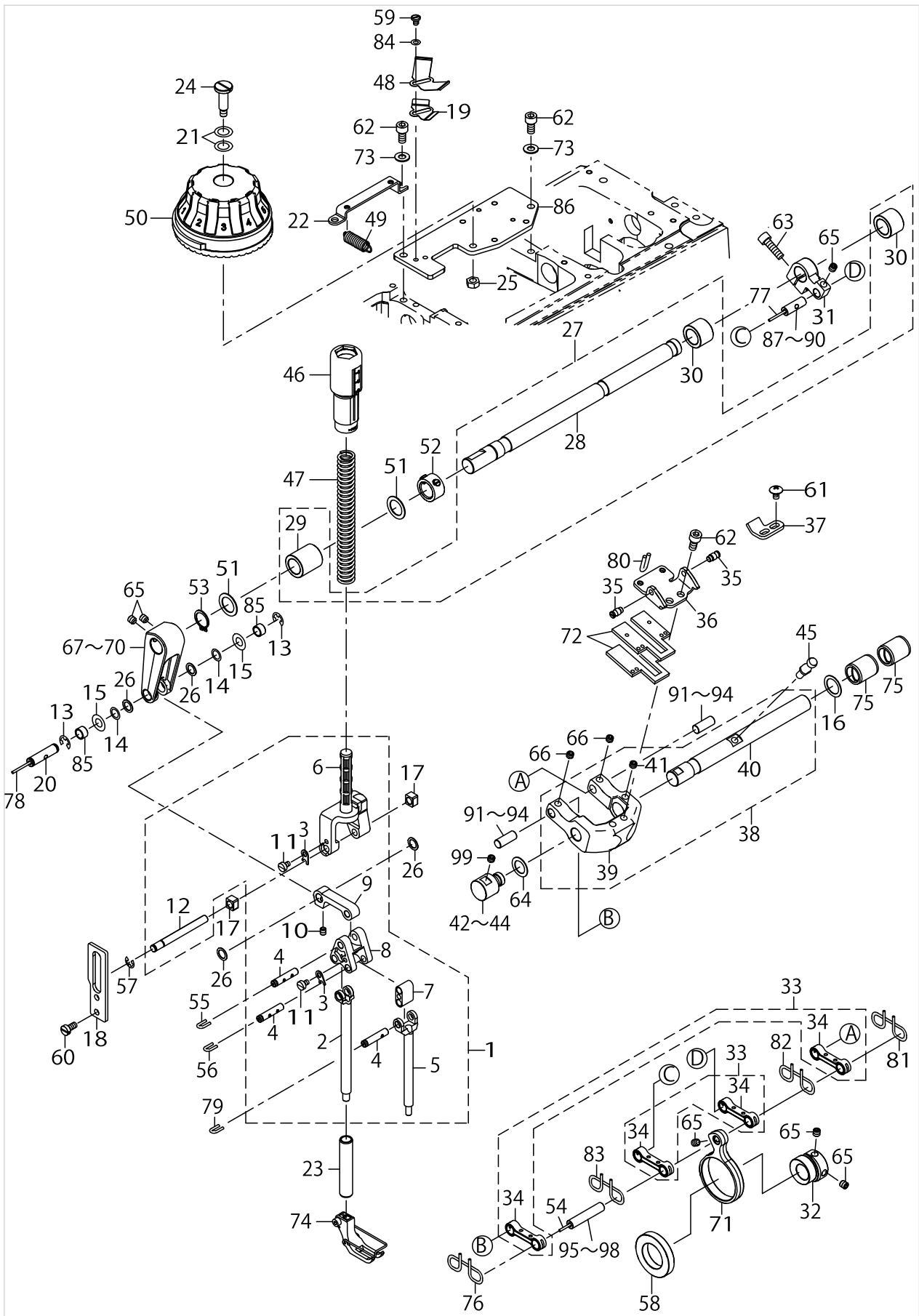
UPPER FEED COMPONENTS



UPPER FEED COMPONENTS

No.	Supply Code	Parts No.	Replacement	Parts name	Remarks	Choice	Step	Level	Cons	Qty	Rep. QTY
1		40169674		UPPER_FEED_F_ASM_E						1	
2		40169678		PRESSURE_BAR_E				*		1	
3		40178095		TRIANGLE_LEVER_S-HAFT_STOPPER				*		2	
4		40169675		CONNECTION_PIN				*		3	
5		40169676		WALKING_BAR_E				*		1	
6		40178169		SPRING_RECEIVING_E_ASM				*		1	
7		40176628		WALKING BAR DRIVING LINK				*		1	
8		40178171		TRIANGULAR_LEVER				*		1	
9		40125854		UPPER_FEED_LINK_A				*		1	
10		SM8050612TP		SCREW M5X6				*		1	
11		SM6040650TP		SCREW				*		2	
12		40169677		PRESSURE_BAR_GUIDE_SHAFT				*		1	
13		RE0600000K0		E-RING 6						2	
14		WP0820516SP		WASHER 11.6X8.2X0.6						2	
15		B1223771000		NEEDLE ROD CRANK WASHER						2	
16		40169681		UF_CHANGE_BASE_SHAFT_WASHER						1	
17		40090058		SLIDE BLOCK						2	
18		40125943		PRESSER ROD GUIDE						1	
19		40154199		LEAF_SPRING_ADJUSTING_PLATE						1	
20		40173071		UPPER_FEED_FRONT_ARM_PIN						1	
21		40023627		PRESSER PLATE SHEET WASHER						2	
22		40125867		SPRING_HOOK						1	
23		40171574		PRESSER_BAR_BUSHING						1	
24	R	SD0802126TP	40082079	SHOULDER SCREW D=8 H=21.2						1	1.00
25		NM6060001SD		NUT M6X1 TYPE1						1	
26		E2613700000		WASHER						4	
27		40123319		UPPER_FEED_SHAFT_ASM						1	
28		40123262		UPPER_FEED_SHAFT				*		1	
29	R	40123320	40123319	UPPER_FEED_SHAFT_METAL_F				*		1	1.00
30	R	40123321	40123319	UPPER_FEED_SHAFT_METAL_R				*		2	1.00
31		40126160		UPPER_FEED_REAR_ARM						1	
32		40126390		UPPER_FEED_CAM						1	
33		40126338		CONNECTION_LINK_ASM						2	
34	R	40126223	40126338	CONNECTION_LINK				*		2	1.00
35		40038494		THREAD_BIND_ARM_SPRING RAC						2	
36		40126269		CHANGE_BASE_SPRING_RACK						1	
37		40126264		CHANGE_BASE_STOPPER						1	
38		40169679		UPPER_FEED_CHANGE_BASE_ASM						1	
39	R	40123414	40123416	UPPER_FEED_CHANGE_BASE				*		1	1.00
40		40169680		UF_CHANGE_BASE_SHAFT				*		1	
41		SM80608A2TP		SCREW M6 L=8				*		1	
42		40145548		UF_CHANGE_BASE_SUPPORT_PIN_A	SELECTIVE PARTS					1	
43		40145549		UF_CHANGE_BASE_SUPPORT_PIN_B	SELECTIVE PARTS					1	
44		40145550		UF_CHANGE_BASE_SUPPORT_PIN_C	SELECTIVE PARTS					1	
45		40126374		VERTICAL_ADJUSTING_PIN						1	

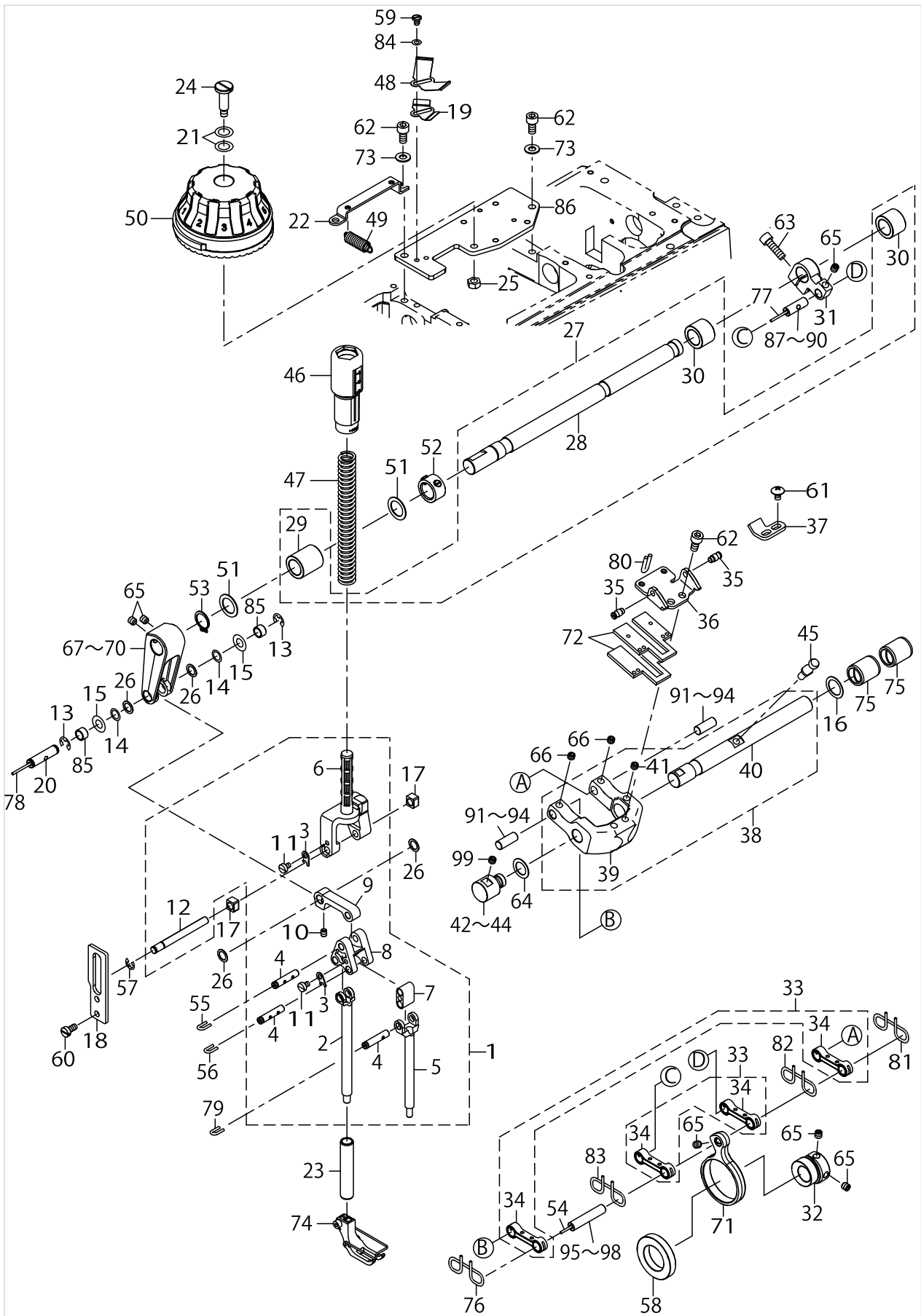
UPPER FEED COMPONENTS



UPPER FEED COMPONENTS

No.	Supply Code	Parts No.	Replacement	Parts name	Remarks	Choice	Step	Level	Cons	Qty	Rep. QTY
46		40125926		PRESSER_ADJUSTING_SCREW						1	
47		40178333		PRESSER_SPRING					☆	1	
48		40112199		LEAF_SPRING						1	
49		40126400		SPRING						2	
50		40125850		VERTICAL_DIAL(VE)						1	
51		40169682		UPPER_FEED_SHAFT- T_PLASTIC_WASHER						2	
52		22904155		MAIN SHAFT THRU- ST COLLAR ASM.						1	
53		RC0150001KP		C-RING 15(13.8)						1	
54		CQ202000000		COTTON OIL WICK D=2						.5	
55		CQ252000000		COTTON OIL WICK D=2.5						.21	
56		CQ252000000		COTTON OIL WICK D=2.5						.24	
57		RE0500000K0		E-RING						1	
58		SB125000600		BEARING						1	
59		SM6040650TP		SCREW						2	
60		SM6051000SP		SCREW						2	
61		SM0050801SC		SCREW						2	
62		SM6061202TP		SCREW M6 L=12						5	
63		SM6062002TP		SCREW M6 L=20						1	
64		40169687		WASHER						1	
65		SM80606A2TP		SCREW M6 L=6						6	
66		SM8060552TP		SCREW M6 L=5						2	
67		40169683		UPPER_FEED_FRONT_ARM_A	SELECTIVE PARTS					1	
68		40169684		UPPER_FEED_FRONT_ARM_B	SELECTIVE PARTS					1	
69		40174550		UPPER_FEED_FRONT_ARM_C	SELECTIVE PARTS					1	
70		40174551		UPPER_FEED_FRONT_ARM_D	SELECTIVE PARTS					1	
71		40125876		UPPER_FEED_CAM_ROD						1	
72		40123345		FELT						2	
73		WP0651001SC		WASHER						2	
74		10712552		PRESSER FOOT ASM.	EXCHANGI- NG GAUGE PARTS (SEE.P.43)					1	
75		40169686		FEED ROCKER SHAFT BUSHING						2	
76		CQ202000000		COTTON OIL WICK D=2						.25	
77		CQ202000000		COTTON OIL WICK D=2						.02	
78		CQ202000000		COTTON OIL WICK D=2						.02	
79		CQ252000000		COTTON OIL WICK D=2.5						.048	
80		CQ202000000		COTTON OIL WICK D=2						.1	
81		CQ202000000		COTTON OIL WICK D=2						.25	
82		CQ202000000		COTTON OIL WICK D=2						.25	
83		CQ202000000		COTTON OIL WICK D=2						.25	
84		WP0430800SD		WASHER M4						4	
85		40169685		UPPER_FEED_FRON- T_ARM_PLASTIC_BUSH						2	
86		40125868		INSTALLING_PLATE						1	
87		40149115		ROCKING_LINK_PIN_A	SELECTIVE PARTS					1	
88		40149116		ROCKING_LINK_PIN_B	SELECTIVE PARTS					1	
89		40149117		ROCKING_LINK_PIN_C	SELECTIVE PARTS					1	

UPPER FEED COMPONENTS



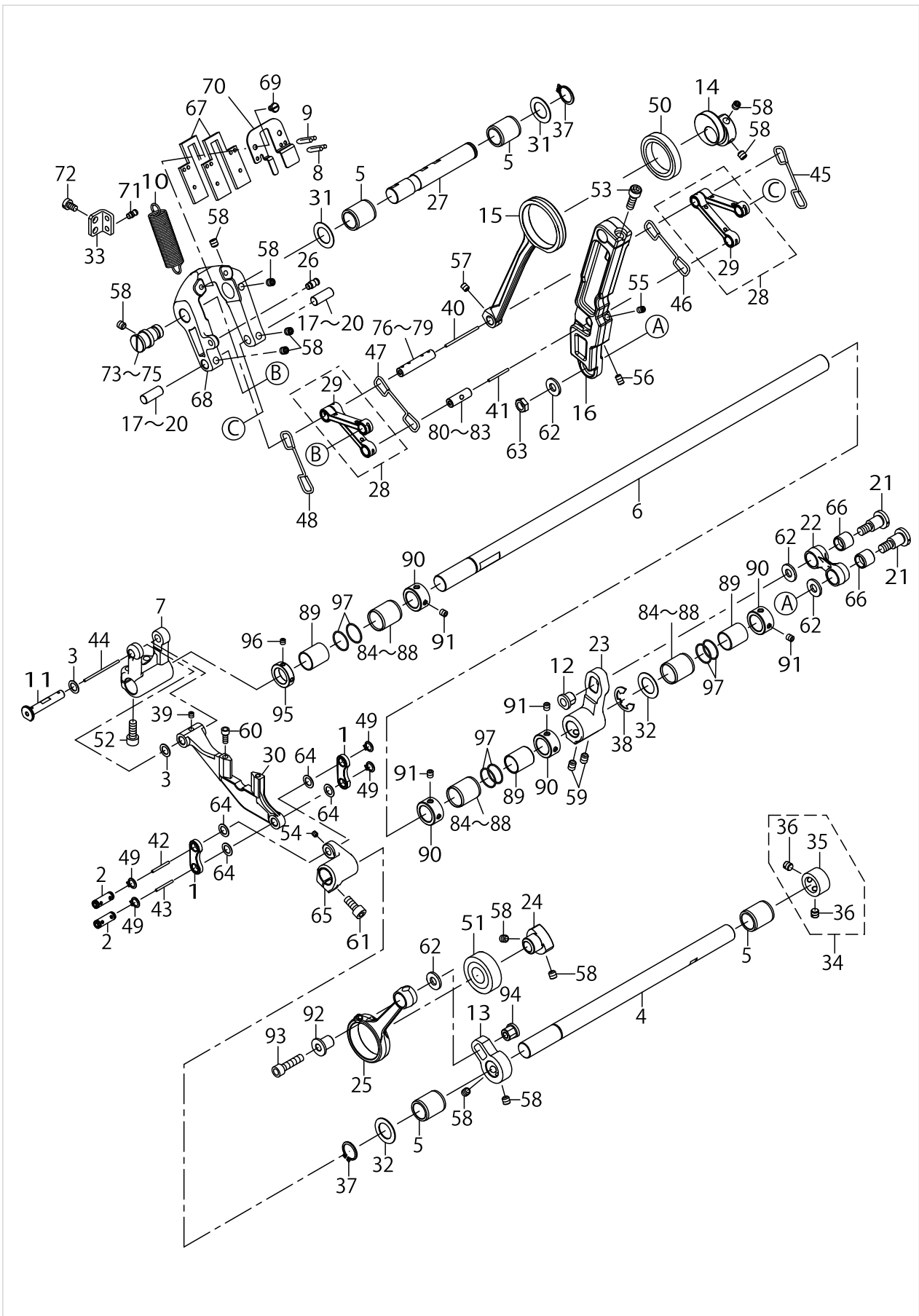
UPPER FEED COMPONENTS

No.	Supply Code	Parts No.	Replacement	Parts name	Remarks	Choice	Step	Level	Cons	Qty	Rep. QTY
90		40149118		ROCKING_LINK_PIN_D	SELECTIVE PARTS					1	
91		40149120		FEED_ADJUSTING_PIN_A	SELECTIVE PARTS					2	
92		40149121		FEED_ADJUSTING_PIN_B	SELECTIVE PARTS					2	
93		40149122		FEED_ADJUSTING_PIN_C	SELECTIVE PARTS					2	
94		40149123		FEED_ADJUSTING_PIN_D	SELECTIVE PARTS					2	
95		40149125		FEED_ROD_PIN_A	SELECTIVE PARTS					1	
96		40149126		FEED_ROD_PIN_B	SELECTIVE PARTS					1	
97	D	40149127		FEED_ROD_PIN_C	SELECTIVE PARTS					1	
98		40149128		FEED_ROD_PIN_D	SELECTIVE PARTS					1	
99		SM80608A2TP		SCREW M6 L=8						1	

HAND LIFTER & AUTO LIFTER COMPONENTS

No.	Supply Code	Parts No.	Replacement	Parts name	Remarks	Choice	Step	Level	Cons	Qty	Rep. QTY
1		40126367		SPRING						1	
2		40006716		THREAD_TRIMMER_SHAFT						1	
3		40112184		LIFTER_LEVER_A						1	
4		40126150		LIFTER_LEVER_B						1	
5		40144283		LIFTER PLATE						1	
6		40126364		LIFTER_SHAFT						1	
7		SM8060612TP		SCREW M6 L=6						1	
8		SM6051802TP		SCREW M5 L=18						1	
9		SM6050802TP		SCREW M5X0.8 L=8						2	
10		13409107		WASHER						1	
11		WZ1052010KP		WAVED WASHER						1	
12		BT0400251EB		URETHANE HOSE BLACK						1	
13		18035303		WIRE MARK (4)						1	
14		40112187		KNUCKLE_JOINT_A						1	
15		40112188		LIFTING_ARM						1	
16		PA400150200		AIR CYLINDER						1	
17		22949101		ROLLER FULCRUM SHAFT						1	
18		SM6081552TP		SCREW M8 L=15						1	
19		SM6061602TP		SCREW M6 L=16						1	
20		SM6054502TN		SCREW M5 L=45						4	
21		PJ304045102		ELBOW UNION C						1	
22		13951009		PRESSER FOOT ROLLER						2	
23		RE0400000K0		E-RING 4						2	
24		40086018		BUSHING_MAIN_FEED						1	

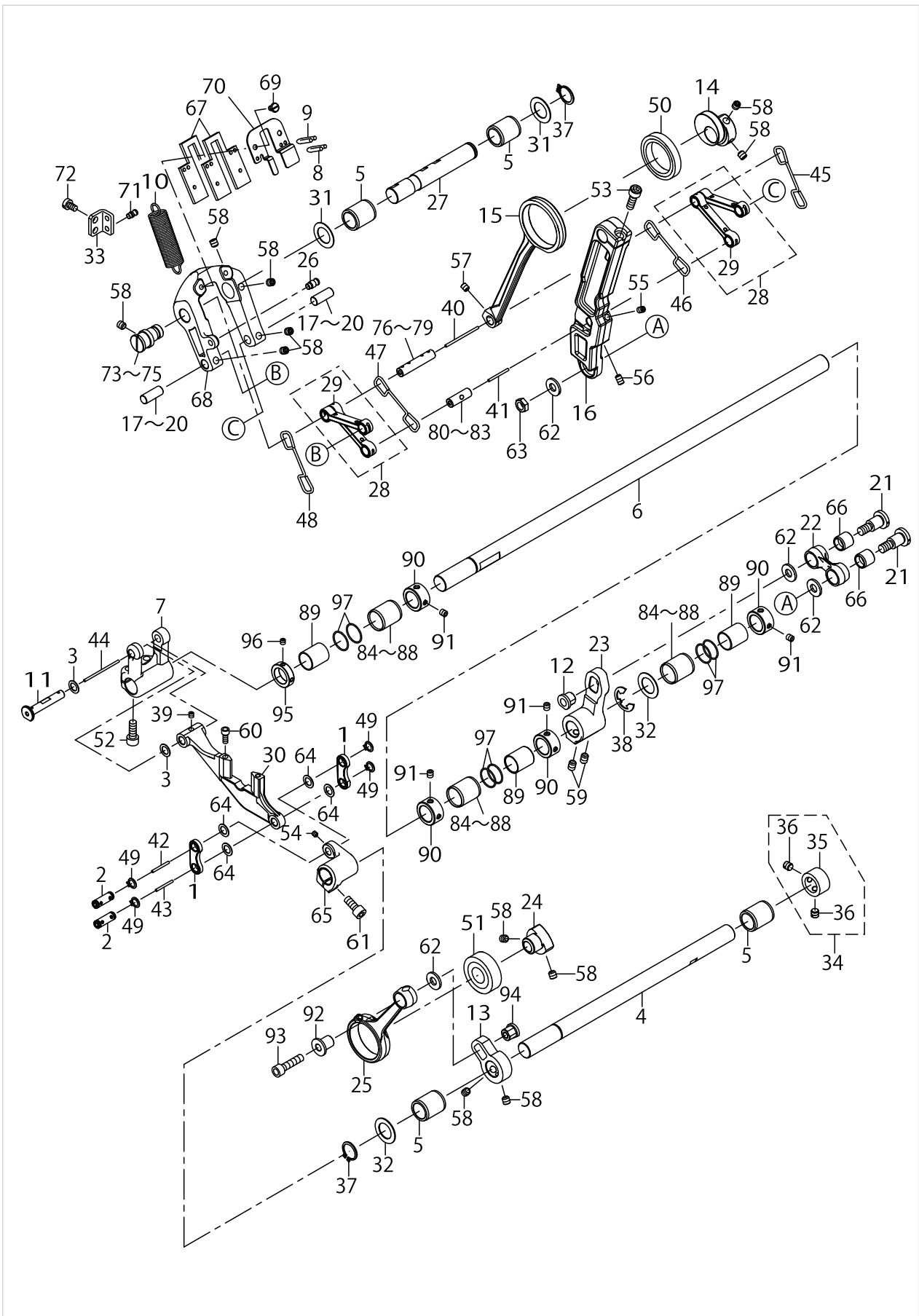
LOWER FEED COMPONENTS



LOWER FEED COMPONENTS

No.	Supply Code	Parts No.	Replacement	Parts name	Remarks	Choice	Step	Level	Cons	Qty	Rep. QTY
1		40123666		VERTICAL_LINK						2	
2		40169688		VERTICAL_FEED_LINK_SHAFT						2	
3		WP0740516SP		WASHER 7.4X11.8X0.5						2	
4		40123667		VERTICAL_FEED_LINK						1	
5		40169686		FEED ROCKER SHAFT BUSHING						4	
6		40169694		HORIZONTAL_FEED_SHAFT						1	
7		40169695		FEED_BASE_ARM						1	
8		CQ202000000		OIL WICK						.05	
9		CQ202000000		COTTON OIL WICK D=2						.05	
10		40126401		SPRING_B						1	
11		40169696		FEED_BASE_SHAFT						1	
12		40126357		VERTICAL_FEED_ROD_NUT						1	
13		40125843		VERTICAL_FEED_ARM_REAR						1	
14		40123626		HORIZONTAL_FEED_CAM						1	
15		40126151		HORIZONTAL_FEED_ROD						1	
16		40123547		NEEDLE_BAR_ROCKING_LINK						1	
17		40149120		FEED_ADJUSTING_PIN_A	SELECTIVE PARTS					2	
18		40149121		FEED_ADJUSTING_PIN_B	SELECTIVE PARTS					2	
19		40149122		FEED_ADJUSTING_PIN_C	SELECTIVE PARTS					2	
20		40149123		FEED_ADJUSTING_PIN_D	SELECTIVE PARTS					2	
21		SD1021251SP		SHOULDER SCREW D=10.2 H=12.5						2	
22		40125856		CONNECTION_LINK						1	
23		40169697		HORIZONTAL_FEED_ARM						1	
24		40169698		VERTICAL_FEED_CAM						1	
25		40125857		VERTICAL_FEED_ROD						1	
26		40137780		SPRING_RAC						1	
27		40123332		CHANGE_BASE_SHAFT						1	
28		40126339		CONNECTION_LINK_ASM						2	
29	R	40123252	40126339	CONNECTION_LINK				*		2	1.00
30		40112293		FEED_BASE						1	
31		D1231555B00		WASHER						2	
32		B125578100A		WASHER A						2	
33		40137779		SUPPORT_PLATE						1	
34		22904155		MAIN SHAFT THRU-ST COLLAR ASM.						1	
35	R	22904106	22904155	MAIN SHAFT THRUST COLLAR				*		1	1.00
36		SS8660610TP		SCREW 1/4-40 L=6				*		2	
37		RC0150001KP		C-RING 15(13.8)						2	
38		RE1200000K0		E-RING 12						1	
39		SS8110422TP		SCREW 11/64-40 L=4						1	
40		CQ202000000		COTTON OIL WICK D=2						.042	
41		CQ202000000		COTTON OIL WICK D=2						.02	
42		CQ202000000		COTTON OIL WICK D=2						.024	
43		CQ202000000		COTTON OIL WICK D=2						.024	
44		CQ202000000		COTTON OIL WICK D=2						.04	
45		CQ202000000		COTTON OIL WICK D=2						.3	
46		CQ202000000		COTTON OIL WICK D=2						.3	

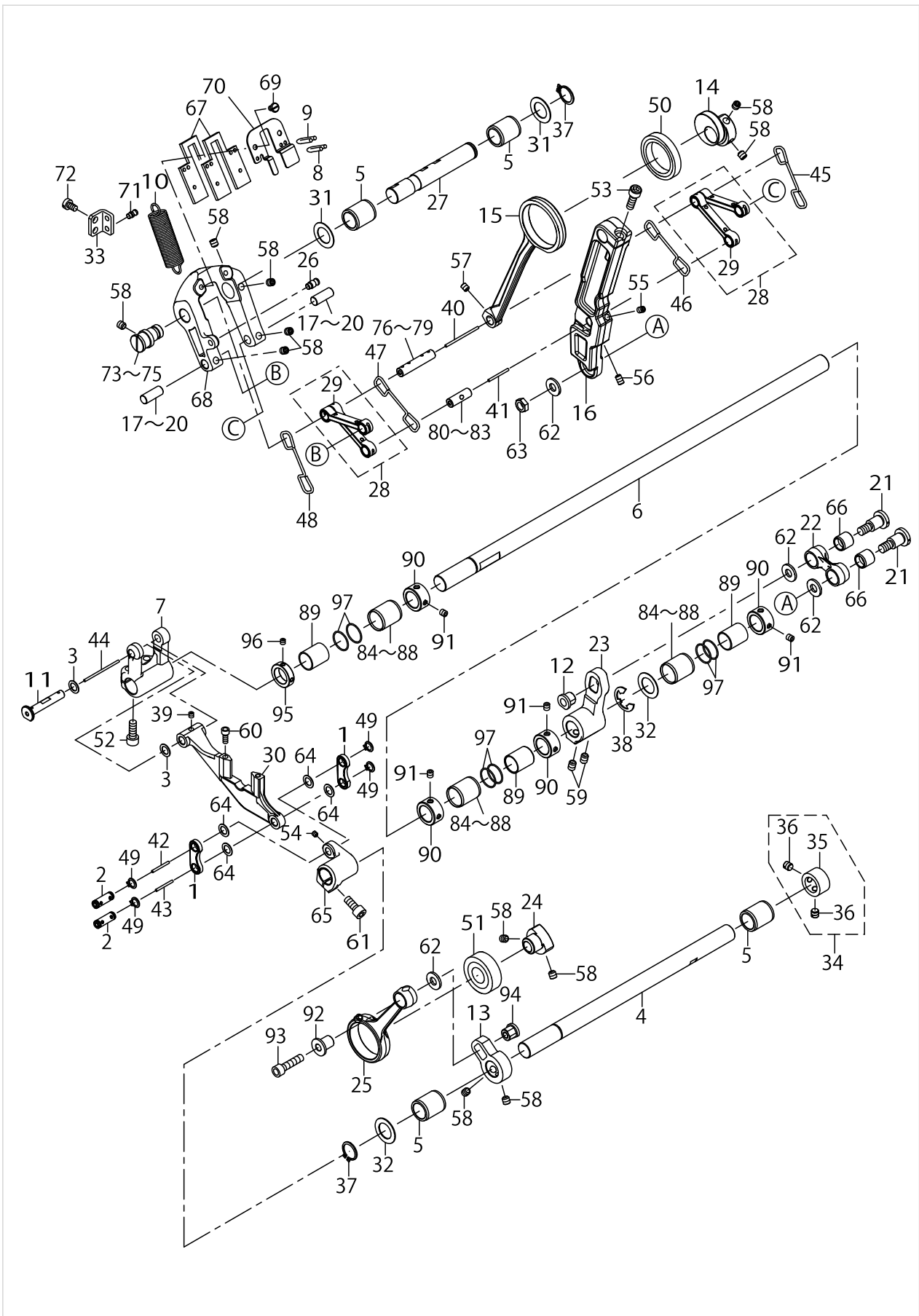
LOWER FEED COMPONENTS



LOWER FEED COMPONENTS

No.	Supply Code	Parts No.	Replacement	Parts name	Remarks	Choice	Step	Level	Cons	Qty	Rep. QTY
47		CQ202000000		COTTON OIL WICK D=2							.3
48		CQ202000000		COTTON OIL WICK D=2							.3
49		RC0650811KP		C-RING 7(6.5)							4
50		40143087		BEARING							1
51		SB117000700		BEARING							1
52		SM6061602TP		SCREW M6 L=16							2
53		SM6061802TP		SCREW M6 L=18							1
54		SM8040412TP		SET SCREW M4 L=4							1
55		SM8050842TP		SETSCREW							1
56		SM8050812TP		SCREW M5X8							1
57		SM80506A2TP		SCREW M5 L=6							1
58		SM80606A2TP		SCREW M6 L=6							11
59		SM80608A2TP		SCREW M6 L=8							2
60		SS6111052TP		SCREW							2
61		SM6061402TP		SCREW M6 L=14							1
62		26018705		WASHER							4
63		NS6680410SP		NUT 9/32-28							1
64		WP0740516SP		WASHER 7.4X11.8X0.5							4
65		40125935		VERTICAL_FEED_ARM_FRONT							1
66		40126359		CONNECTION LINK BUSH							2
67		40123345		FELT							2
68		40137553		HORIZONTAL_FEED_CHANGE_BASE							1
69		SM6040650TP		SCREW							1
70		40137554		FELE HOLDER							1
71		26017400		SPRING RAC							1
72		SM6050800SP		SCREW M5 L=8							2
73		40171795		HF_CHANGE_BASE_- SUPPORT_PIN_A	SELECTIVE PARTS						1
74		40171796		HF_CHANGE_BASE_- SUPPORT_PIN_B	SELECTIVE PARTS						1
75		40171797		HF_CHANGE_BASE_- SUPPORT_PIN_C	SELECTIVE PARTS						1
76		40149125		FEED_ROD_PIN_A	SELECTIVE PARTS						1
77		40149126		FEED_ROD_PIN_B	SELECTIVE PARTS						1
78	D	40149127		FEED_ROD_PIN_C	SELECTIVE PARTS						1
79		40149128		FEED_ROD_PIN_D	SELECTIVE PARTS						1
80		40149115		ROCKING_LINK_PIN_A	SELECTIVE PARTS						1
81		40149116		ROCKING_LINK_PIN_B	SELECTIVE PARTS						1
82		40149117		ROCKING_LINK_PIN_C	SELECTIVE PARTS						1
83		40149118		ROCKING_LINK_PIN_D	SELECTIVE PARTS						1
84		40178995		HORIZONTAL FEED SHAFT BUSHING F	SELECTIVE PARTS						3
85		40178996		HORIZONTAL FEED SHAFT BUSHING G	SELECTIVE PARTS						3
86		40169693		HORIZONTAL FEED SHAFT BUSHING C	SELECTIVE PARTS						3
87		40174552		HORIZONTAL FEED SHAFT BUSHING D	SELECTIVE PARTS						1
88		40174553		HORIZONTAL FEED SHAFT BUSHING E	SELECTIVE PARTS						1
89		40169690		H_FEED_SHAFT_PLASTIC_BUSHING							3

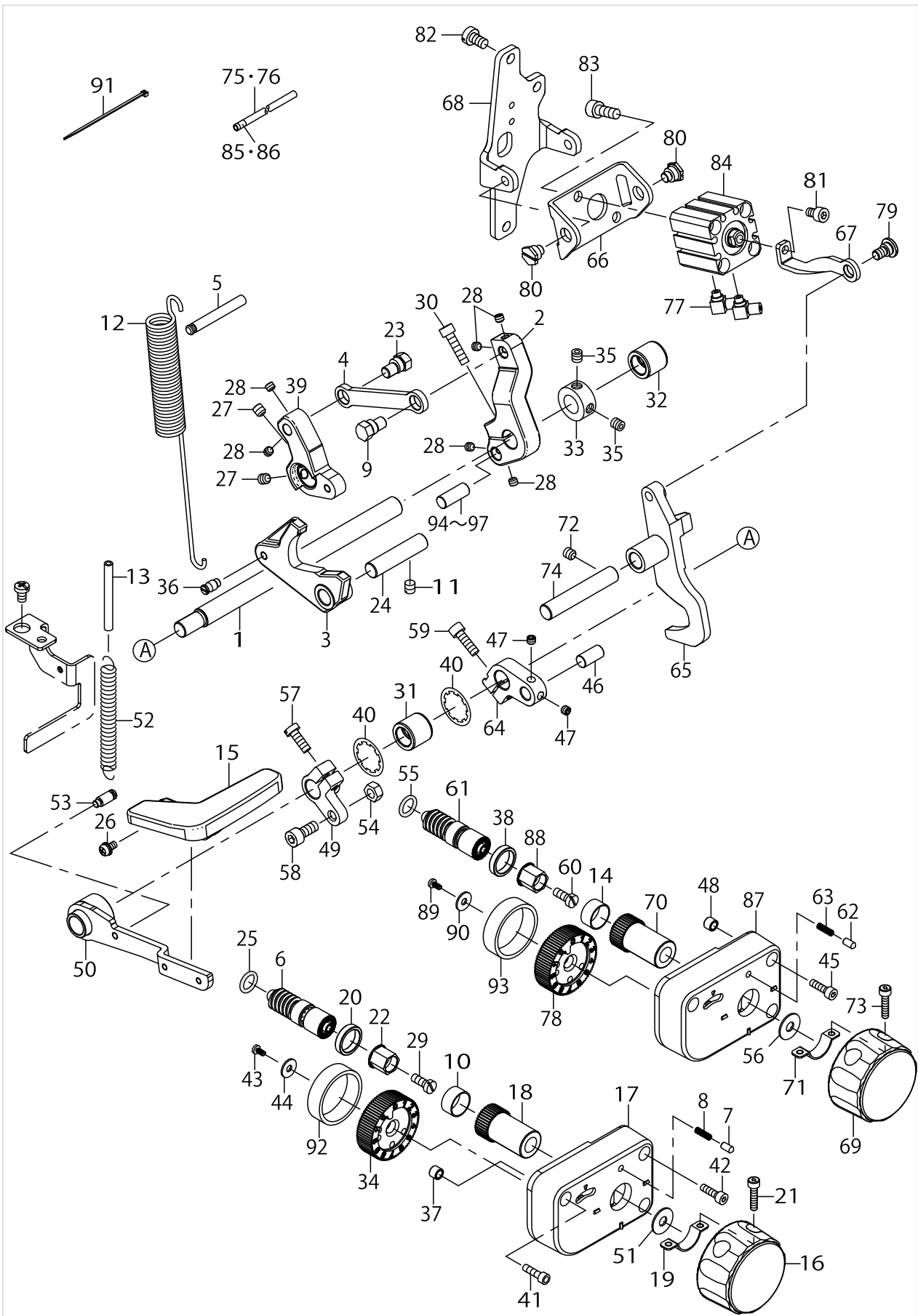
LOWER FEED COMPONENTS



LOWER FEED COMPONENTS

No.	Supply Code	Parts No.	Replacement	Parts name	Remarks	Choice	Step	Level	Cons	Qty	Rep. QTY
90		CS1501181TP		THRUST COLLAR D=15 W=11						4	
91		SM8050512TP		SCREW						8	
92		40154833		VERTICAL FEED COLLAR						1	
93		SM6062502TP		SCREW M6 L=25						1	
94		40154832		VERTICAL FEED ROD NUT						1	
95		40171825		THRUST_COLLAR						1	
96		SM8040412TP		SET SCREW M4 L=4						2	
97		40176440		O-RING						6	

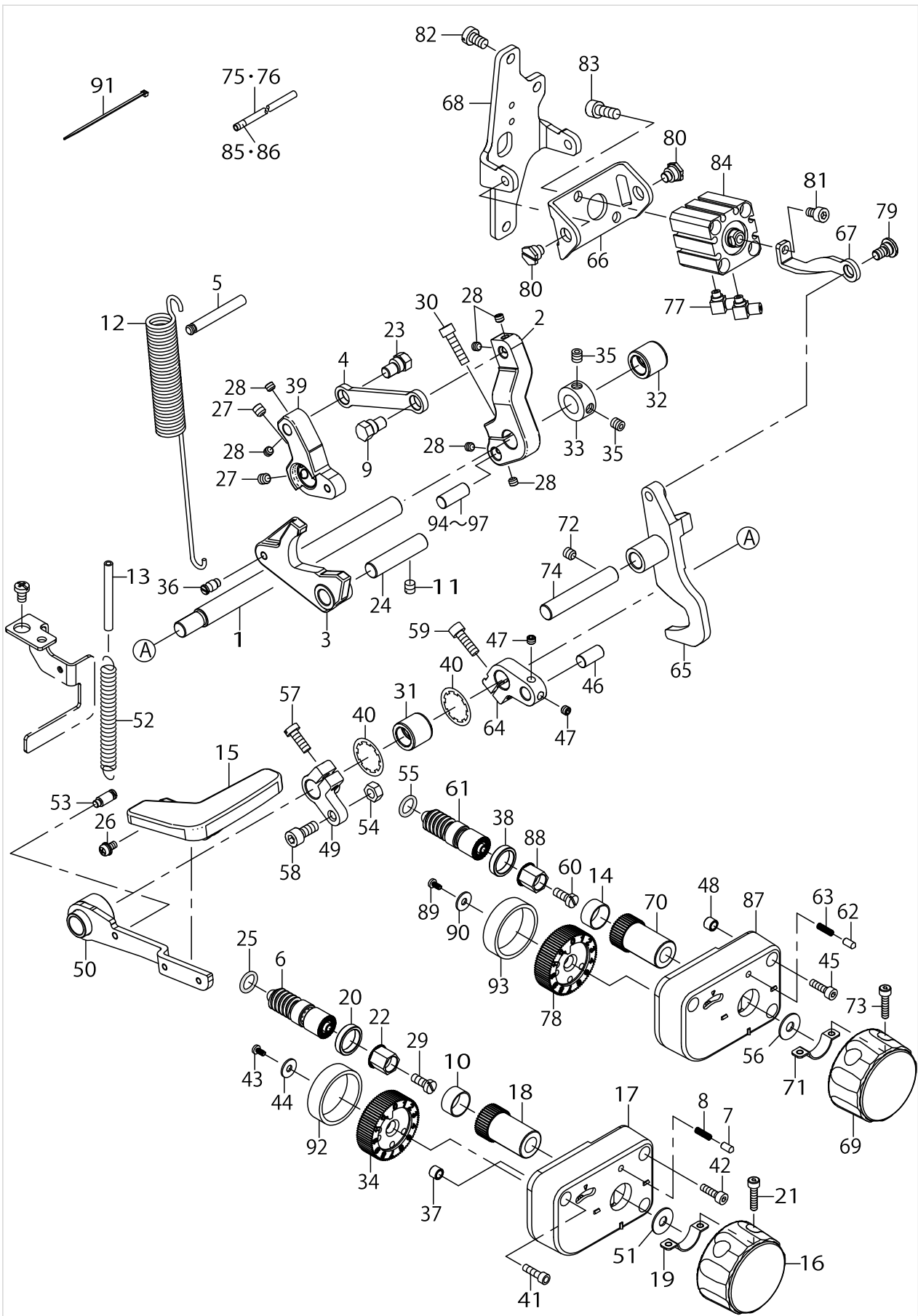
FEED ADJUST COMPONENTS



FEED ADJUST COMPONENTS

No.	Supply Code	Parts No.	Replacement	Parts name	Remarks	Choice	Step	Level	Cons	Qty	Rep. QTY
1		40126363		BACKWARD_FEED_LEVER_SHAFT						1	
2		40129986		FEED_ADJUSTING_PIN_HOLDER_A						1	
3		40129984		ADJUSTING_BASE_A						1	
4		40129988		FEED_ADJUSTING_LINK						1	
5		40134528		ANCHOR						1	
6		22911804		FEED REGULATOR SCREW					☆	1	
7		10715704		VERTICAL DIAL PIN					☆	1	
8		B152652700G		SPRING						1	
9		40169702		FEED_ADJUST_PIN						1	
10		40137613		DIAL_GEAR_BUSH						1	
11		SM8060612TP		SCREW M6 L=6						1	
12		40134105		FEED_ADJUSTING_BASE_SPRING						1	
13		23630007		TUBE						.08	
14		40137613		DIAL_GEAR_BUSH						1	
15		40126116		REVERSE_FEED_LEVER_DRAFT						1	
16		40130004		FEED_DIAL_KNOB					☆	1	
17		40130001		FEED_DIAL_COVER_A						1	
18		40130003		FEED_DIAL_GEAR						1	
19		40130005		FEED_DIAL_SUPPORT_PLATE						1	
20		40133826		SPACER						1	
21		SM6041802TP		SCREW M4 L=18						2	
22		40130006		HEXA_SHAFT						1	
23		40169702		FEED_ADJUST_PIN						1	
24		40169629		HEAD_FIXED_SHAFT						1	
25		RO092270200		O-RING					☆	1	
26		SL4040881SC		SCREW M4 L=8						2	
27		SM8060612TP		SCREW M6 L=6						2	
28		SM8050412TP		SCREW M5 L=4						6	
29		SS6121210SP		SCREW 3/16-28 L=12						1	
30		SM6052002TP		SCREW M5X0.8 L=20						1	
31		13424502		BUSHING FRONT						1	
32		40143624		BACKWARD_LEVER_SHAFT_BUSH						1	
33		CS1201171TP		THRUST COLLAR D=12 W=11						1	
34		40132118		FEED_DIAL_PLATE_A						1	
35		SM8060612TP		SCREW M6 L=6						2	
36		40137780		SPRING RAC						1	
37		B4122804000		ROLLER						1	
38		40133826		SPACER						1	
39		40130412		FEED_ADJUSTING_ARM_BT						1	
40		WT1780011KP		TOOTHEDWASHER18						2	
41		SM6041402TP		SCREW M4 L=14						1	
42		SM6040802TP		SCREW M4X0.7 L=8						2	
43		40130820		SCREW						1	
44		WP0431005SP		PLAIN WASHER						1	
45		SM6041402TP		SCREW M4 L=14						3	
46		40171826		FEED_ADJUSTING_PIN						1	

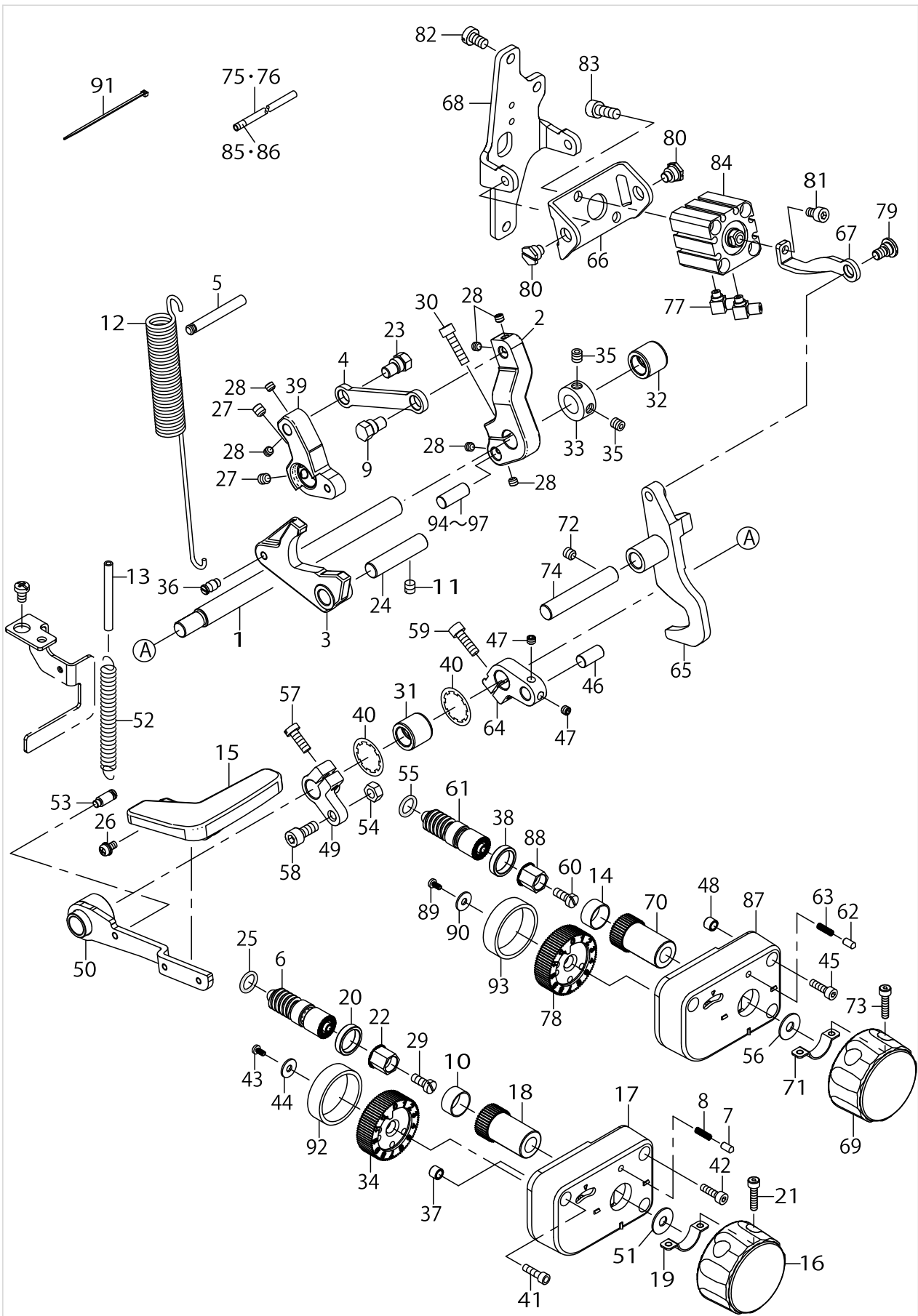
FEED ADJUST COMPONENTS



FEED ADJUST COMPONENTS

No.	Supply Code	Parts No.	Replacement	Parts name	Remarks	Choice	Step	Level	Cons	Qty	Rep. QTY
47		SM8050412TP		SCREW M5 L=4						2	
48		B4122804000		ROLLER						3	
49		40112127		BACKWARD_FEED_C- ONNECTING_ARM						1	
50		40129991		REVERSE_FEED_LEVER_ASM						1	
51		WP0621036SP		WASHER						4	
52		D2629M1YC0F		SPRING						1	
53		26229302		SUSPENSION SCREW						1	
54		NM6050001SD		NUT M5X0.8 TYPE1						1	
55		RO092270200		O-RING					☆	1	
56		WP0621036SP		WASHER						4	
57		SM6051400SP		SCREW						1	
58		SM6051202TP		SCREW M5X0.8 L=12						1	
59		SM6051602TP		SCREW M5X0.8 L=16						1	
60		SS6121210SP		SCREW 3/16-28 L=12						1	
61		22911804		FEED REGULATOR SCREW					☆	1	
62		10715704		VERTICAL DIAL PIN					☆	1	
63		B152652700G		SPRING						1	
64		40125858		FEED_ADJUSTING_PIN_HOLDER_B						1	
65		40129985		ADJUSTING_BASE_B						1	
66		40126642		CYLINDER_BASE_A						1	
67		40129999		CYLINDER_JOINT_B						1	
68		40126643		CYLINDER_BASE_B						1	
69		40130004		FEED_DIAL_KNOB					☆	1	
70		40130003		FEED_DIAL_GEAR						1	
71		40130005		FEED_DIAL_SUPPORT_PLATE						1	
72		SM8060612TP		SCREW M6 L=6						1	
73		SM6041802TP		SCREW M4 L=18						2	
74		40077931		PRESSURE_LOWERING_SHAFT						1	
75		BT0400251EB		URETHANE TUBE BLACK 4X2.5						.36	
76		BT0400251EB		URETHANE TUBE BLACK 4X2.5						.36	
77		PJ046052503		HOSE ELBOW						2	
78		40132118		FEED_DIAL_PLATE_A						1	
79		SD0800346TP		SHOULDER SCREW D=8 H=3.4						1	
80		SD0900426TP		SHOULDER SCREW D=9 H=4.2						2	
81		SM6050802TP		SCREW M5X0.8 L=8						1	
82		SM6061010TP		SCREW M6 L=10						3	
83		SM6061602TP		SCREW M6 L=16						2	
84		PA200150900		AIR CYLINDER						1	
85		18035006		CABLE MARK NO.1						1	
86		18035105		WIRE MARK (2)						1	
87		40130819		FEED_DIAL_COVER_B						1	
88		40130006		HEXA_SHAFT						1	
89		40130820		SCREW						1	
90		WP0431005SP		PLAIN WASHER						1	
91		EA9500B0100		CABLE BAND						1	
92		40137612		DIAL PLATE BUSH						1	

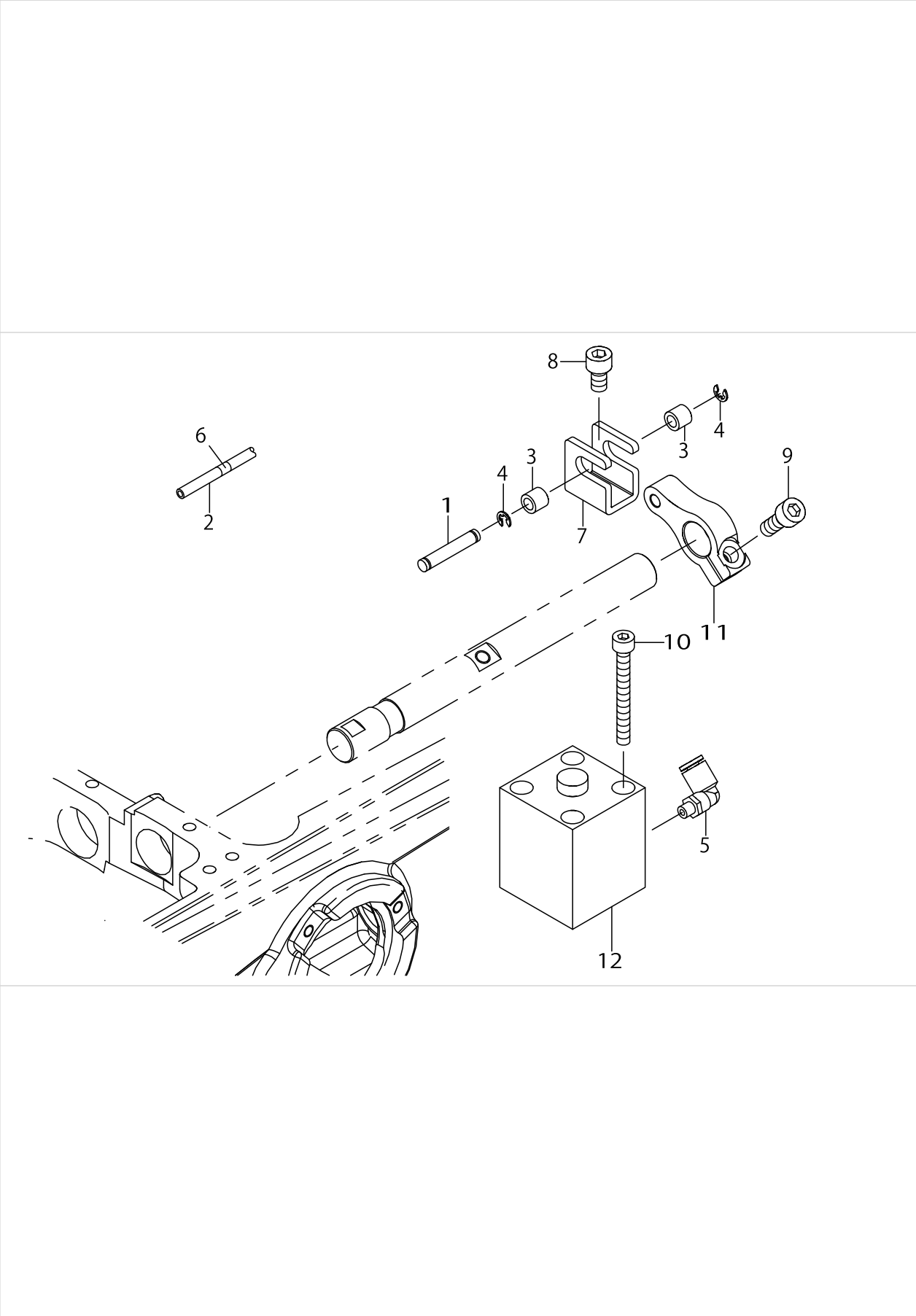
FEED ADJUST COMPONENTS



FEED ADJUST COMPONENTS

No.	Supply Code	Parts No.	Replacement	Parts name	Remarks	Choice	Step	Level	Cons	Qty	Rep. QTY
93		40137612		DIAL PLATE BUSH						1	
94		40149120		FEED_ADJUSTING_PIN_A	SELECTIVE PARTS					1	
95		40149121		FEED_ADJUSTING_PIN_B	SELECTIVE PARTS					1	
96		40149122		FEED_ADJUSTING_PIN_C	SELECTIVE PARTS					1	
97		40149123		FEED_ADJUSTING_PIN_D	SELECTIVE PARTS					1	

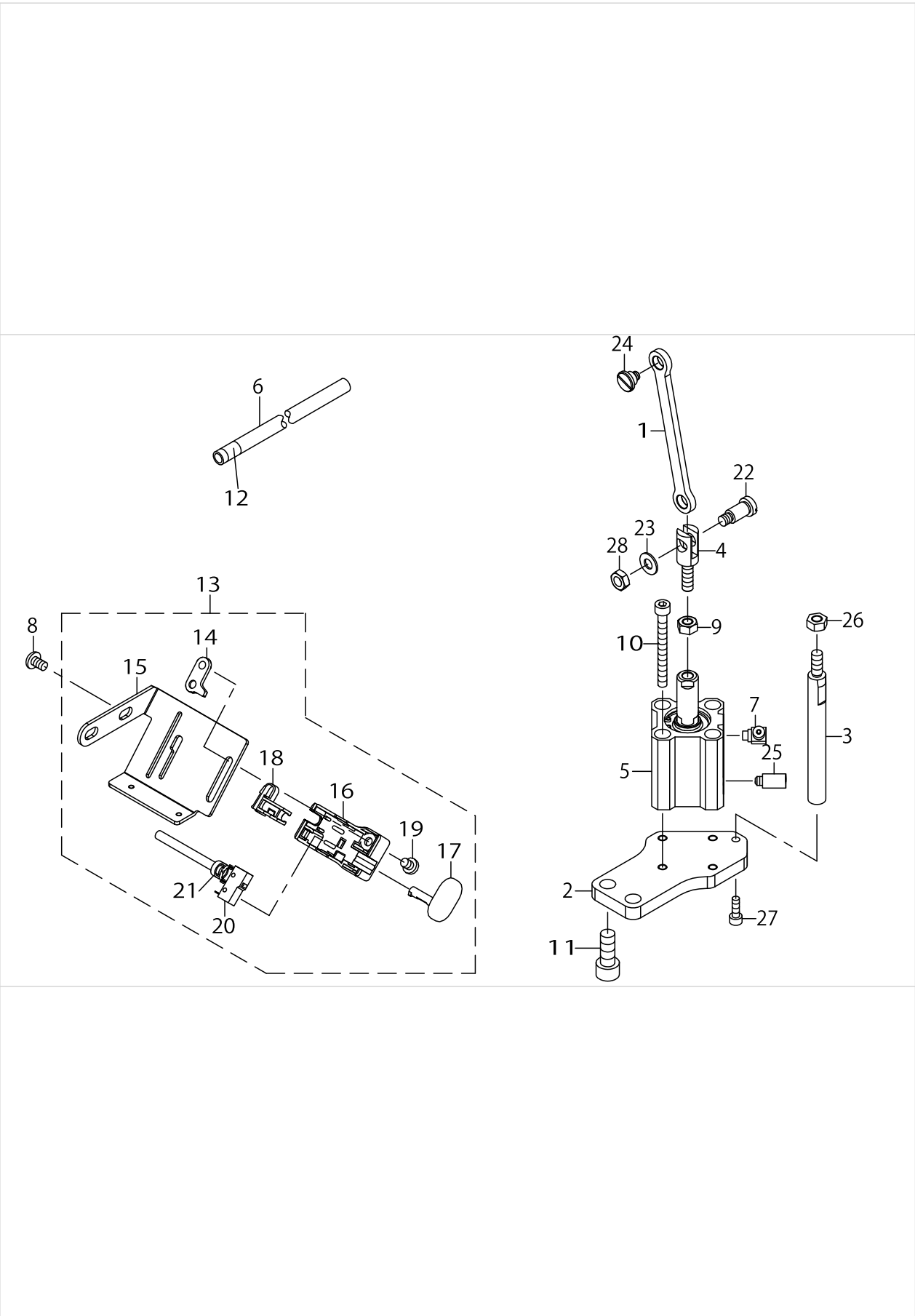
DL COMPONENTS



DL COMPONENTS

No.	Supply Code	Parts No.	Replacement	Parts name	Remarks	Choice	Step	Level	Cons	Qty	Rep. QTY
1		B1504210000		CONNECTING SHAFT						1	
2		BT0400251EB		URETHANE TUBE BLACK 4X2.5						.58	
3		B3031141H00		CONNECTING STUD						2	
4		RE0320000K0		E-RING 3.2						2	
5		PJ304040504		UNION						1	
6		18035501		WIRE MARK (6)						1	
7		40112191		KNUCKLE_JOINT_B						1	
8		SM6061002TP		SCREW M6 L=10						1	
9		SM6061602TP		SCREW M6 L=16						1	
10		SM6054502TP		SCREW M5X0.8 L=45						2	
11		40112192		TERTICAL_CYLINDER_ARM						1	
12		PA250250900		AIR CYLINDER						1	

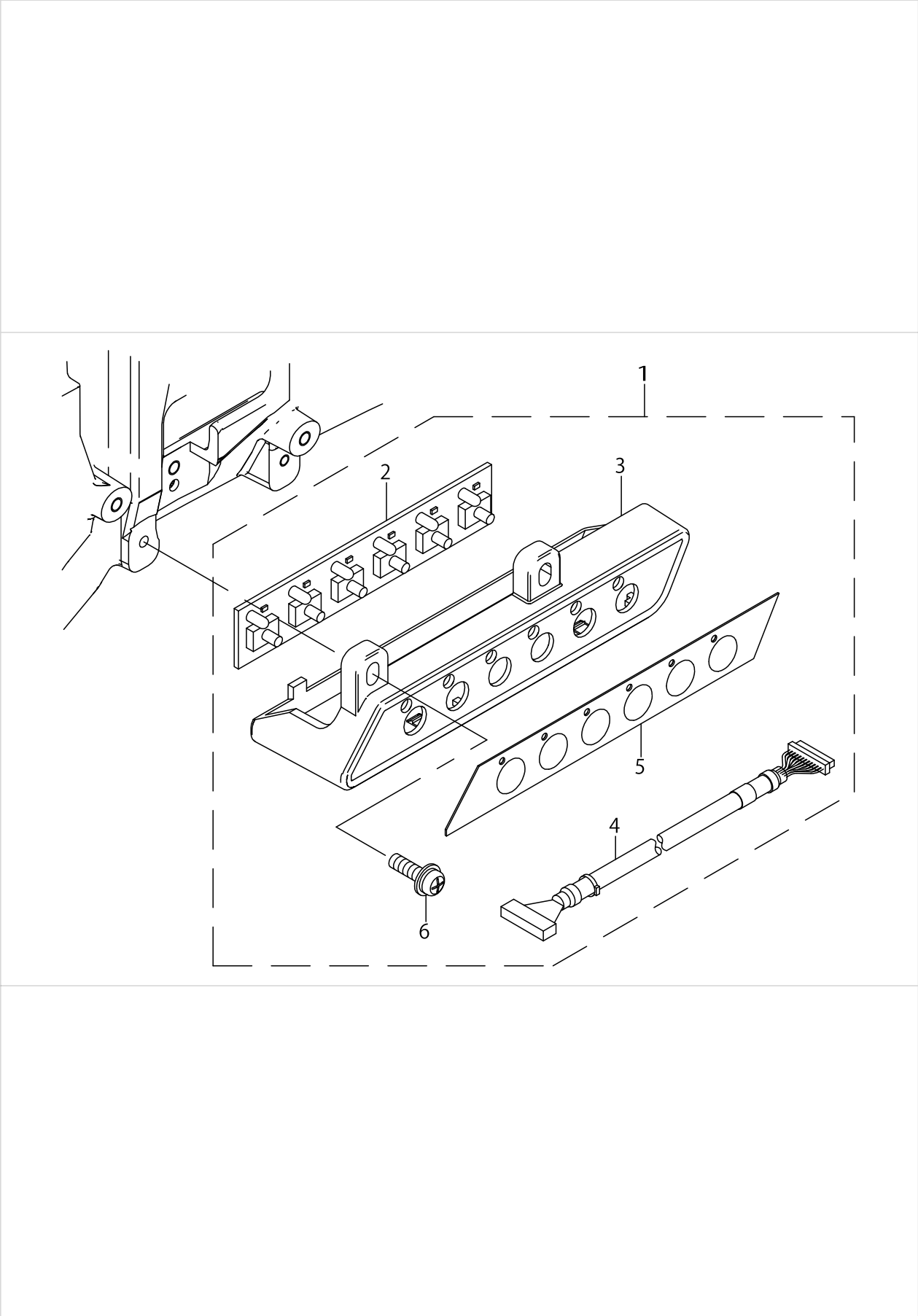
AUTO BT COMPONENTS



AUTO BT COMPONENTS

No.	Supply Code	Parts No.	Replacement	Parts name	Remarks	Choice	Step	Level	Cons	Qty	Rep. QTY
1		40147946		BT_LINK						1	
2		40147947		BT_CYLINDER_PLATE						1	
3		40147948		BT_PLATE_STUD						1	
4		40052254		CYLINDER KNUCKLE JOINT						1	
5		PA250250900		AIR CYLINDER						1	
6		BT0400251EB		URETHANE TUBE BLACK 4X2.5						.3	
7		PJ046052503		HOSE ELBOW						1	
8		SM4050855SP		SCREW						2	
9		NM6060001CP		NUT M6X1 TYPE1						1	
10		SM6055002TP		SCREW M5 L=50						4	
11		SM6082002TP		SCREW M8 L=20						2	
12		18035907		WIRE MARK (10)						1	
13		40112288		TB_SWITCH_ASSY						1	
14		23632102		REVERSE FEED SWITCH BASE GUIDE				*		1	
15		40112213		TB_SW_MOUNTING_PLATE				*		1	
16		23631708		REVERSE FEED SWITCH COVER				*		1	
17		23631807		REVERSE FEED SWITCH SHAFT				*		1	
18		23631906		REVERSE FEED SWITCH SUPPORT				*		1	
19		SS7110740TP		SCREW 11/64-40 L=7				*		1	
20		40126129		REVERSE FEED CORD ASM				*		1	
21		EA9500B0100		CABLE BAND				*		1	
22		SD0791271SP		HINGE SCREW D=7.94 H=12.7						1	
23		WP0621016SD		WASHER 6.2X13X1						1	
24		SD0800406TP		SHOULDER SCREW D=8 H=4						1	
25		PX050501000		SILENCER						1	
26		NM6060001SC		NUT M6X1 TYPE1						1	
27		SM6041202TP		SCREW M4X0.7 L=12						1	
28		NS6150430SP		HEXAGONAL NUT 15/64-28						1	

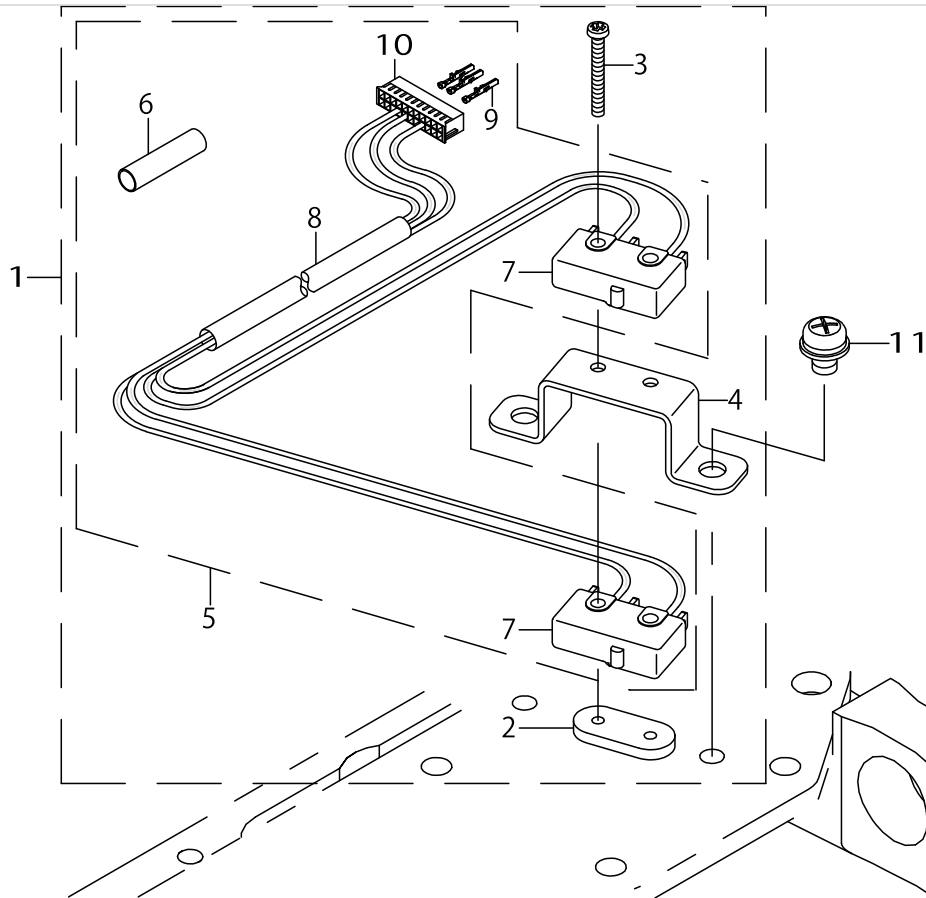
6-RANGE SW COMPONENTS



6-RANGE SW COMPONENTS

No.	Supply Code	Parts No.	Replacement	Parts name	Remarks	Choice	Step	Level	Cons	Qty	Rep. QTY
1		40105508		6RANGE SWITCH ASM						1	
2		40105510		6RANGE SWITCH PCB ASSY				*		1	
3	R	40112215	40105508	6RANGE_SWITCH_COVER		A	LU2800	*		1	1.00
3	R	40112215	40130287	6RANGE_SWITCH_COVER		B	PLC2700	*		1	1.00
4		40105509		6RANGE SWITCH CABLE ASM				*		1	
5		40112216		PANEL SHEET				*		1	
6		SL4041491SC		SCREW 4X14				*		2	

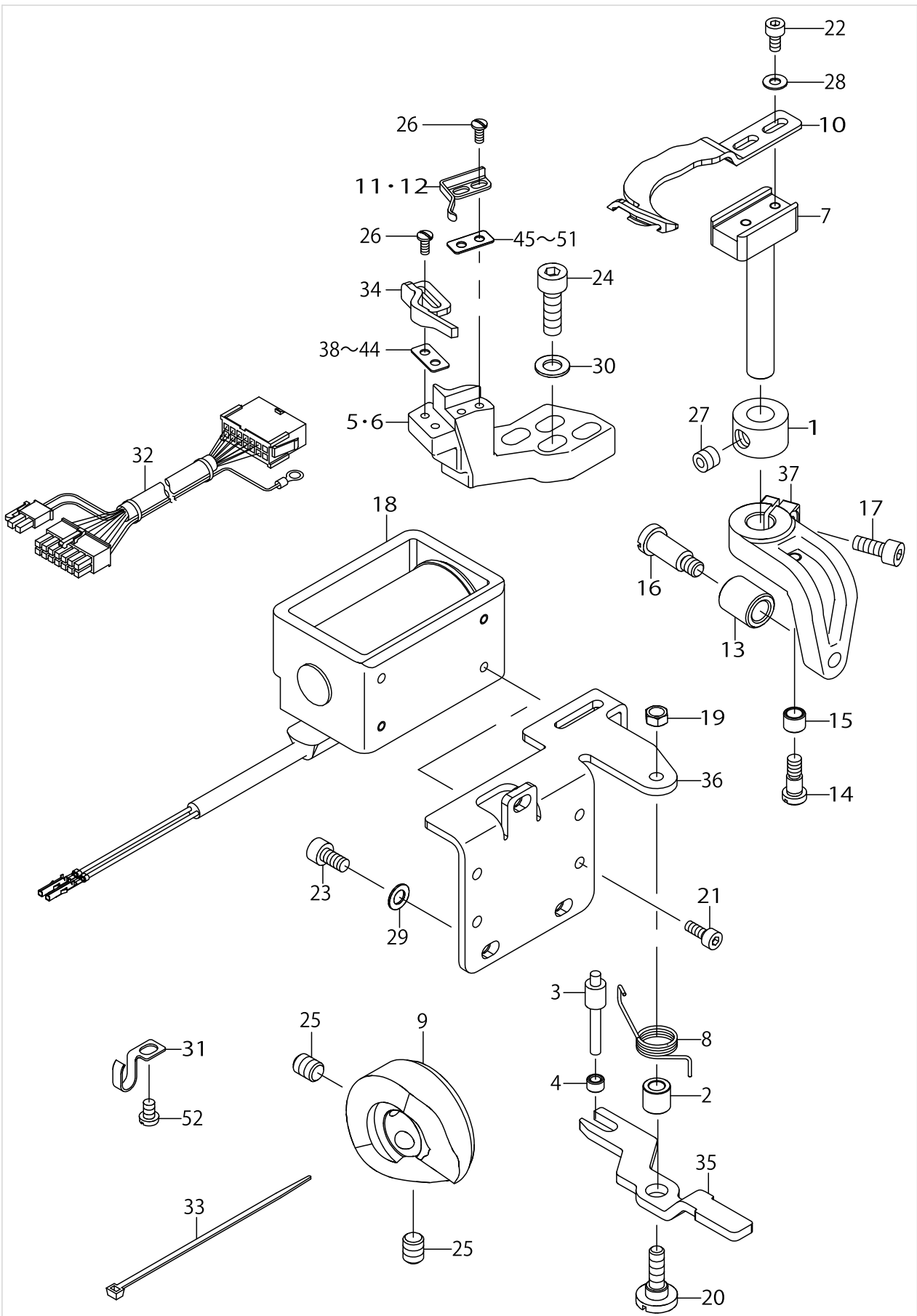
SPEED ADJUST COMPONENTS



SPEED ADJUST COMPONENTS

No.	Supply Code	Parts No.	Replacement	Parts name	Remarks	Choice	Step	Level	Cons	Qty	Rep. QTY
1		40126260		VERTICAL_DETECT-OR_SWITCH_ASM						1	
2	R	23638406	23638059	SAFETY SWITCH NUT				*		1	1.00
3	D	SM4021601SN		SCREW M2 L=16				*		2	
4		40126259		SENSOR_BRACKET				*		1	
5	R	40126131	40126260	SPEED CONTROL CORD ASM				*		1	1.00
6		E8760452D00		TUBE 0.015M				*		0.03	
7		HA004680000		SWITCH				*		2	
8		HW000840040		SHEATH CABLE				*		1.37	
9		HK075230000		TERMINAL				*		3	
10		HK063610220		CONNECTOR				*		1	
11		SL4040691SC		SCREW M4 L=6				*		2	

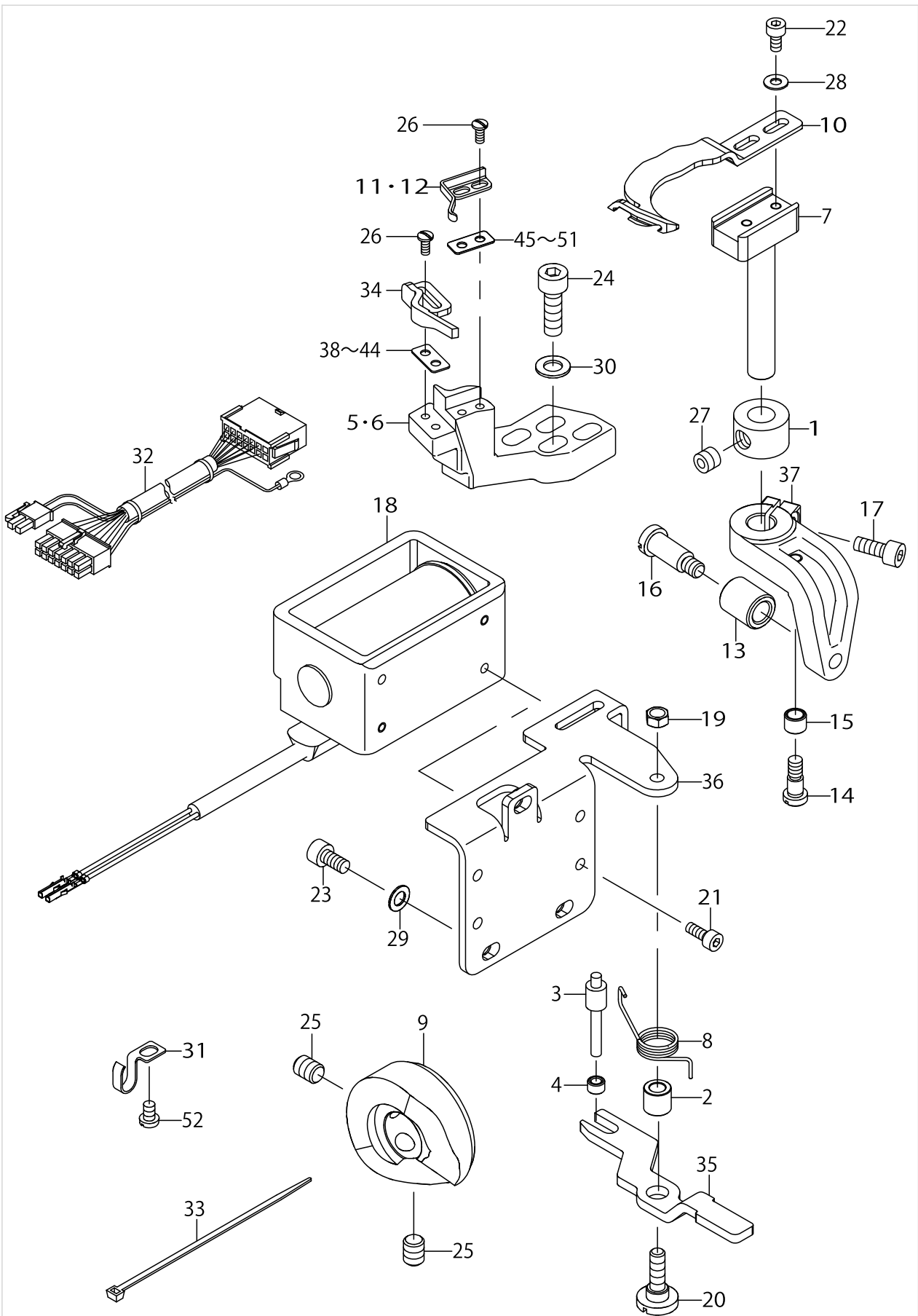
THREAD CUTTING COMPONENTS



THREAD CUTTING COMPONENTS

No.	Supply Code	Parts No.	Replacement	Parts name	Remarks	Choice	Step	Level	Cons	Qty	Rep. QTY
1		40154825		THRUST_COLLAR						1	
2		22956205		WIPER HINGE SCREW COLLAR						1	
3		22957104		WIPER SOLENOID SHAFT						1	
4		22957203		WIPER LINK COLLAR						1	
5		40125879		FIXED_KNIFE_BASE	FOR LU-2810ES-7					1	
6		40147942		FIXED_KNIFE_BASE_XXL	FOR LU-2818ES-7					1	
7		40169703		MOVING_KNIFE_SHAFT_ES						1	
8		40112235		DRIVING_ARM_RETURN_SPRING						1	
9		40112278		THREAD_TRIMMER_RIGHT						1	
10		40169704		MOVING_KNIFE_ES					☆	1	
11		21389408		CLAMP_SPRING_XXL	FOR LU-2810ES-7				☆	1	
12		40147943		CLAMP_SPRING_XXL	FOR LU-2818ES-7				☆	1	
13		40112232		THREAD_TRIMMER_CAM_ROLLER						1	
14		SD0460576TP		SHOULDER SCREW D=4.6 H=5.7						1	
15		B2508047000		BLOCK ROLLER						1	
16		SD0651301TH		SHOULDER SCREW D=6.5 H=13						1	
17		SM6041002TP		SCREW M4X0.7 L=10						1	
18		40137921		THREAD_TRIMMER_SOLENOID						1	
19		NS6110310SP		HEXAGONAL NUT 11/64-40						1	
20		SD0650321TP		SHOULDER SCREW D=6.56 H=3.2						1	
21		SM6030602TP		SCREW M3X0.5 L=6						4	
22		SM6030602TP		SCREW M3X0.5 L=6						2	
23		SM6040802TP		SCREW M4X0.7 L=8						3	
24		SM6051602TP		SCREW M5X0.8 L=16						2	
25		SM8060812TP		SCREW M6 L=8						2	
26		SS7060610SP		SCREW 3/32-56 L=5.5					☆	4	
27		SM8060552TP		SCREW M6 L=5						2	
28		WP0320501SC		WASHER M3						2	
29		WP0450000SD		WASHER 4.5X8X0.5						3	
30		WP0550800SP		WASHER 5.5X10X0.8						2	
31		26231902		OIL WICK PIPE STOPPER						1	
32		40126130		SOLENOID RELAY CABLE ASM						1	
33		EA9500B0100		CABLE BAND						3	
34		40169705		FIXED KNIFE_ES					☆	1	
35		40112234		KNIFE_DRIVING_ARM_LINK						1	
36		40112233		THREAD_TRIMMER_SOL_BASE_PLATE						1	
37		40123248		MOVING_KNIFE_DRIVING_ARM						1	
38		40155295		F_KNIFE_SPACER_T=0.2	SELECTIVE PARTS (F-OR LU-2818ES-7)					1	
39		40155296		F_KNIFE_SPACER_T=0.4	SELECTIVE PARTS (F-OR LU-2818ES-7)					1	
40		40155297		F_KNIFE_SPACER_T=0.6	SELECTIVE PARTS (F-OR LU-2818ES-7)					1	
41		40155298		F_KNIFE_SPACER_T=0.8	SELECTIVE PARTS (F-OR LU-2818ES-7)					1	

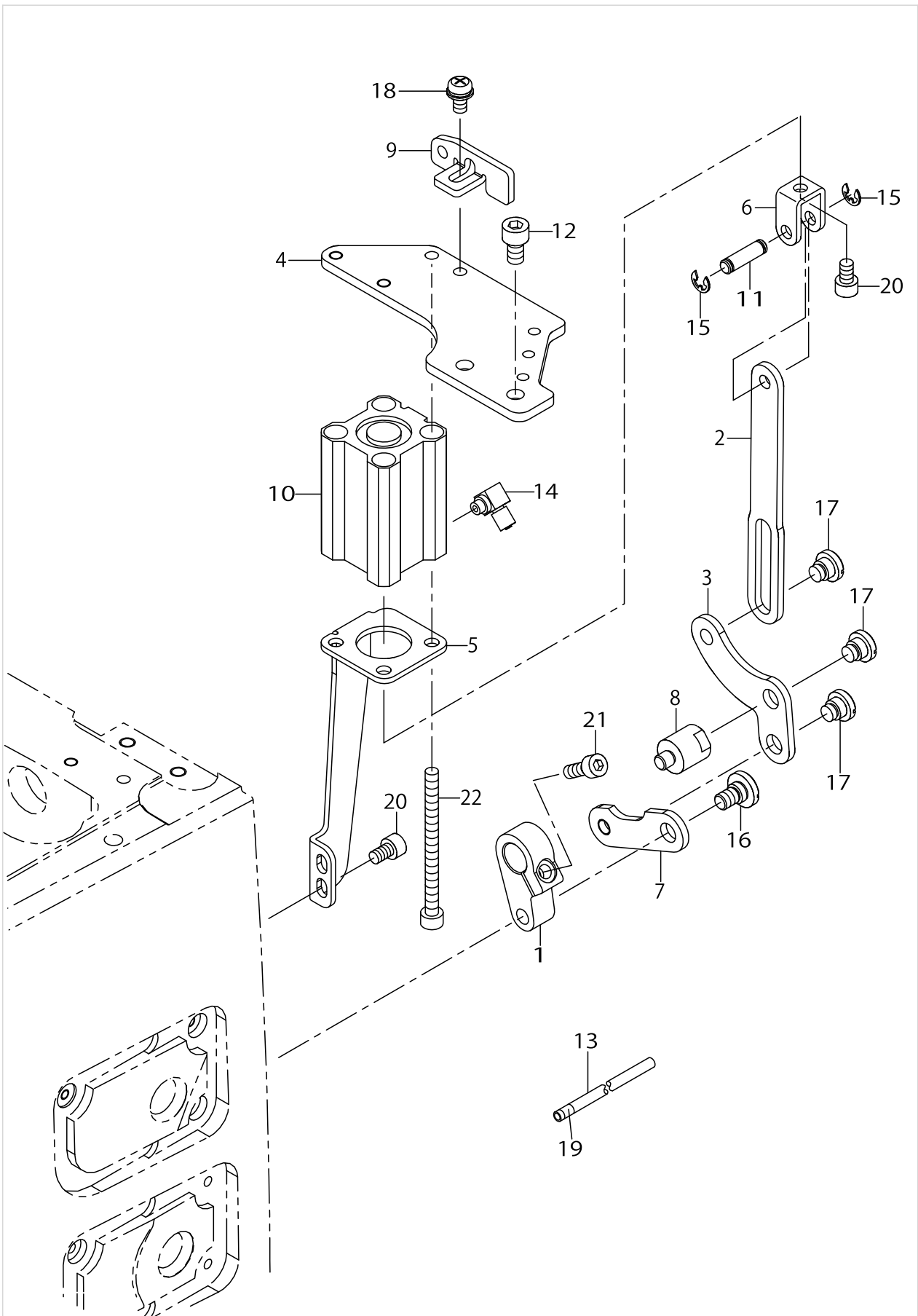
THREAD CUTTING COMPONENTS



THREAD CUTTING COMPONENTS

No.	Supply Code	Parts No.	Replacement	Parts name	Remarks	Choice	Step	Level	Cons	Qty	Rep. QTY
42		40155299		F_KNIFE_SPACER_T=1.0	SELECTIVE PARTS (F-OR LU-2818ES-7)					1	
43		40157628		F_KNIFE_SPACER_T=1.2	SELECTIVE PARTS (F-OR LU-2818ES-7)					1	
44		40157629		F_KNIFE_SPACER_T=1.4	SELECTIVE PARTS (F-OR LU-2818ES-7)					1	
45		40155301		CLAMP_SPRING_SPACER_T=0.2	SELECTIVE PARTS (F-OR LU-2818ES-7)					1	
46		40155302		CLAMP_SPRING_SPACER_T=0.4	SELECTIVE PARTS (F-OR LU-2818ES-7)					1	
47		40155303		CLAMP_SPRING_SPACER_T=0.6	SELECTIVE PARTS (F-OR LU-2818ES-7)					1	
48		40155304		CLAMP_SPRING_SPACER_T=0.8	SELECTIVE PARTS (F-OR LU-2818ES-7)					1	
49		40155305		CLAMP_SPRING_SPACER_T=1.0	SELECTIVE PARTS (F-OR LU-2818ES-7)					1	
50		40157625		CLAMP_SPRING_SPACER_T=1.2	SELECTIVE PARTS (F-OR LU-2818ES-7)					1	
51		40157626		CLAMP_SPRING_SPACER_T=1.4	SELECTIVE PARTS (F-OR LU-2818ES-7)					1	
52		SM4040855SP		SCREW						1	

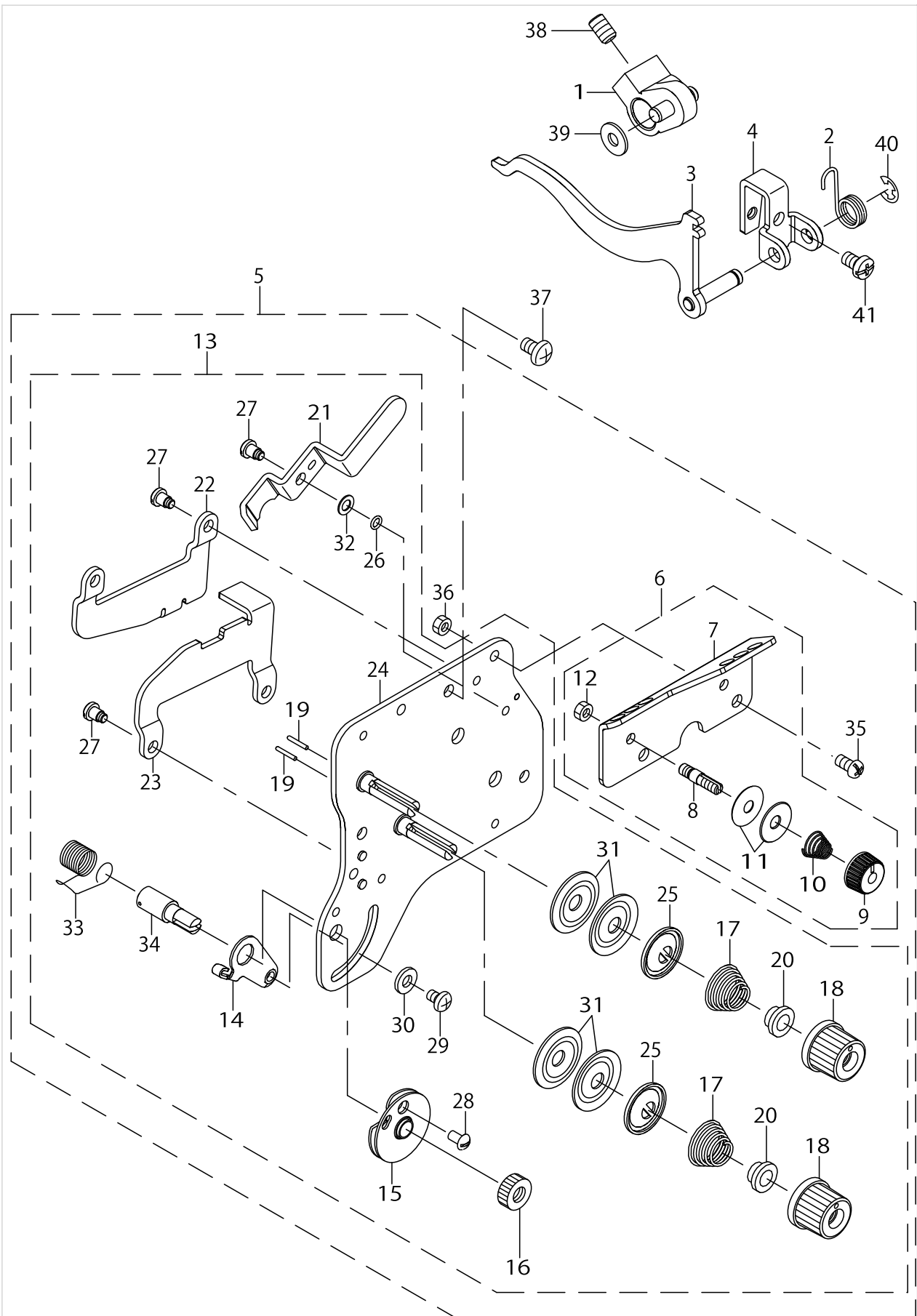
CONDENSE COMPONENTS



CONDENSE COMPONENTS

No.	Supply Code	Parts No.	Replacement	Parts name	Remarks	Choice	Step	Level	Cons	Qty	Rep. QTY
1		40133612		CONDENSE ARM						1	
2		40112137		LINK_A						1	
3		40112138		LINK_B						1	
4		40125872		CYLINDER_BRACKET						1	
5		40112140		CYLINDER_STAY						1	
6		40112149		CYLINDER_KNUCKLE						1	
7		40133655		LINK D						1	
8		40112151		BT_LINK_STUD						1	
9		40112228		MOTOR_COVER_FITTING_PLATE						1	
10		40142208		AIR CYLINDER						1	
11		D2464555B00		LINK DRIVING MAGNET PIN						1	
12		SM6061002TP		SCREW M6 L=10						2	
13		BT0400251EB		URETHANE TUBE BLACK 4X2.5						.27	
14		PJ046052503		HOSE ELBOW						1	
15		RE0400000K0		E-RING 4						2	
16		SD0800321TH		SHOULDER SCREW D=8 H=3.2						1	
17		SD0800341SP		SHOULDER SCREW D=8 H=3.4						3	
18		SL4051091SC		SCREW M5X0.8 L=10						1	
19		18035709		WIRE MARK (8)						1	
20		SM6050802TP		SCREW M5X0.8 L=8						3	
21		SM6051402TP		SCREW M5X0.8 L=14						1	
22		SM6056552TP		SCREW						3	

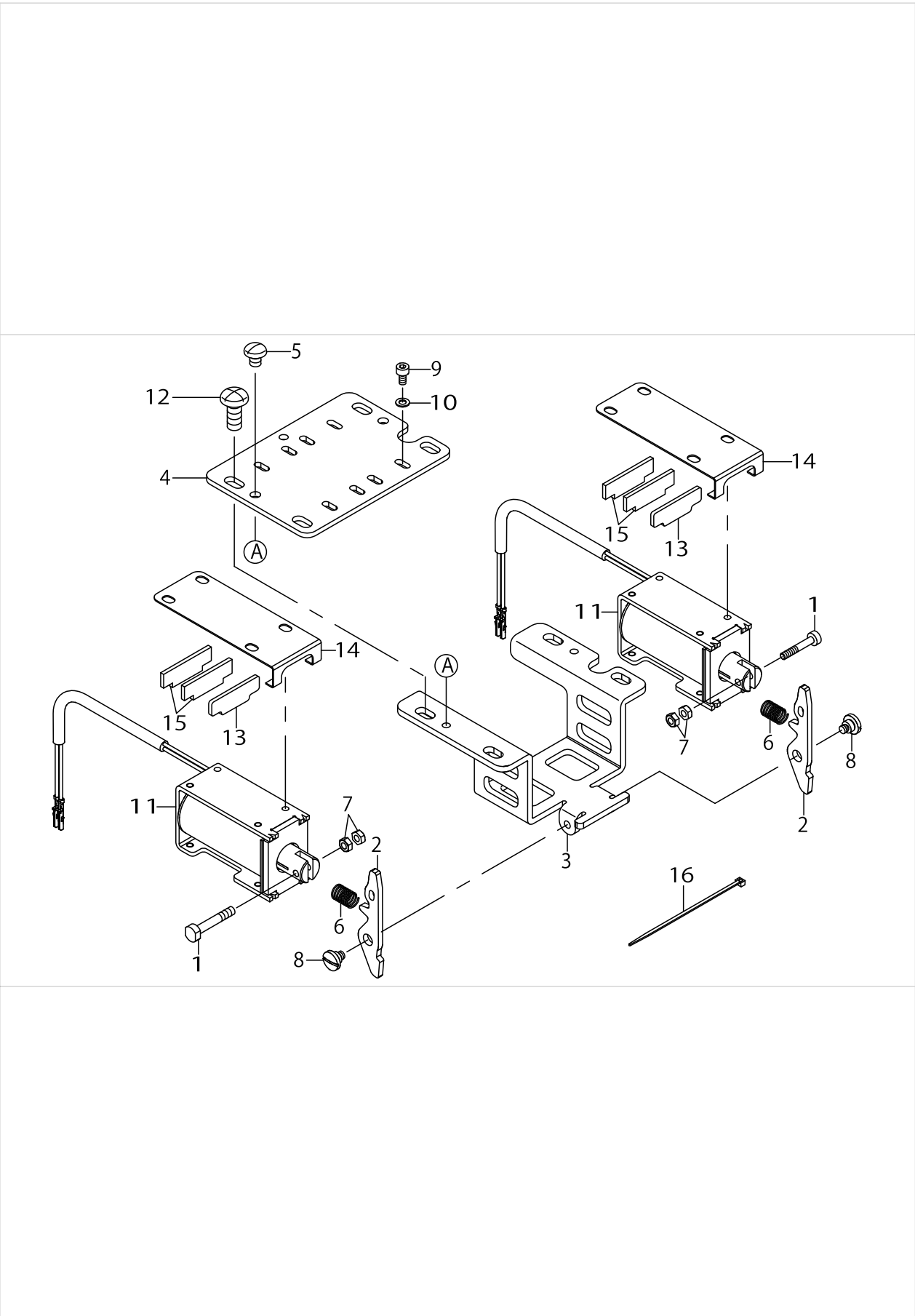
THREAD TENSION COMPONENTS



THREAD TENSION COMPONENTS

No.	Supply Code	Parts No.	Replacement	Parts name	Remarks	Choice	Step	Level	Cons	Qty	Rep. QTY
1		22912257		FEED REVERSE ARM ASM.						1	
2		22954309		REVERSE FEED SWITCH SPRING						1	
3		40126265		DISK_RELEASE_LINK_ASM						1	
4		40125873		DISK_RELEASE_LINK_BASE						1	
5		40155956		THREAD_TENSION_ASSY_2810						1	
6		40155958		THREAD_GUIDE_PLATE_ASM_2810				*		1	
7		40155960		THREAD_GUIDE_PLATE				*		1	
8		40155994		TEREAD_TENSION_POST_A				*		1	
9		22945703		THREAD TENSION NUT				*		1	
10	R	22963409	22963458	THREAD TENSION SPRING				*	☆	1	1.00
11		22945802		THREAD TENSION DISK				*		2	
12		NS6110310SP		NUT 11/64-40				*		1	
13		40161459		THREAD_TENSION_- PLATE_ASM_2810				*		1	
14		10697506		THREAD TENSION BRACKET A				*		1	
15		B31375270A0		TAKE-UP SPRING GUIDE ASM.				*		1	
16	R	22617807	22928808	NUT				*		1	1.00
17		12938304		TENSION SPRING				*	☆	2	
18		13817408		THREAD TENSION NUT				*	☆	2	
19		22618201		TENSION RELEASE PIN A				*		2	
20		B3112704000		TENSION SPRING BUSHING				*		2	
21		40112204		TENSION_RELEASE_LEVER				*		1	
22		40112218		DISK_RELEASE_PLATE_A				*		1	
23		40112219		DISK_RELEASE_PLATE_B				*		1	
24		40126404		ASSY_TENSION_BASE_PLATE_2810				*		1	
25		40126724		TENSION_DISC HOLDER				*		2	
26		RO037180100		RUBBER RING				*		1	
27		SD0450401SP		SHOULDER SCREW D=4.5 H=4				*		5	
28		SS3090710TP		SCREW 9/64-40 L=7				*		1	
29		SS4110615SP		SCREW 11/64-40 L=6				*		1	
30		WP0501016SD		WASHER 5X10.5X1				*		1	
31		22921506		THREAD TENSION DISK				*		4	
32		WP0460556SD		WASHER 4.6X7.5X0.5				*		1	
33		22618706		THREAD TAKE-UP SPRING A				*	☆	1	
34		10320109		SCREW STUD				*		1	
35		SS4110815SP		SCREW 11/64-40 L=8				*		2	
36		NS6110310SP		HEXAGONAL NUT 11/64-40				*		2	
37		SM4051001SN		SCREW M5						3	
38		SS8661012TP		SCREW						1	
39		22528509		FELT						1	
40		RE0500000K0		E-RING						1	
41		SM4050855SP		SCREW						1	

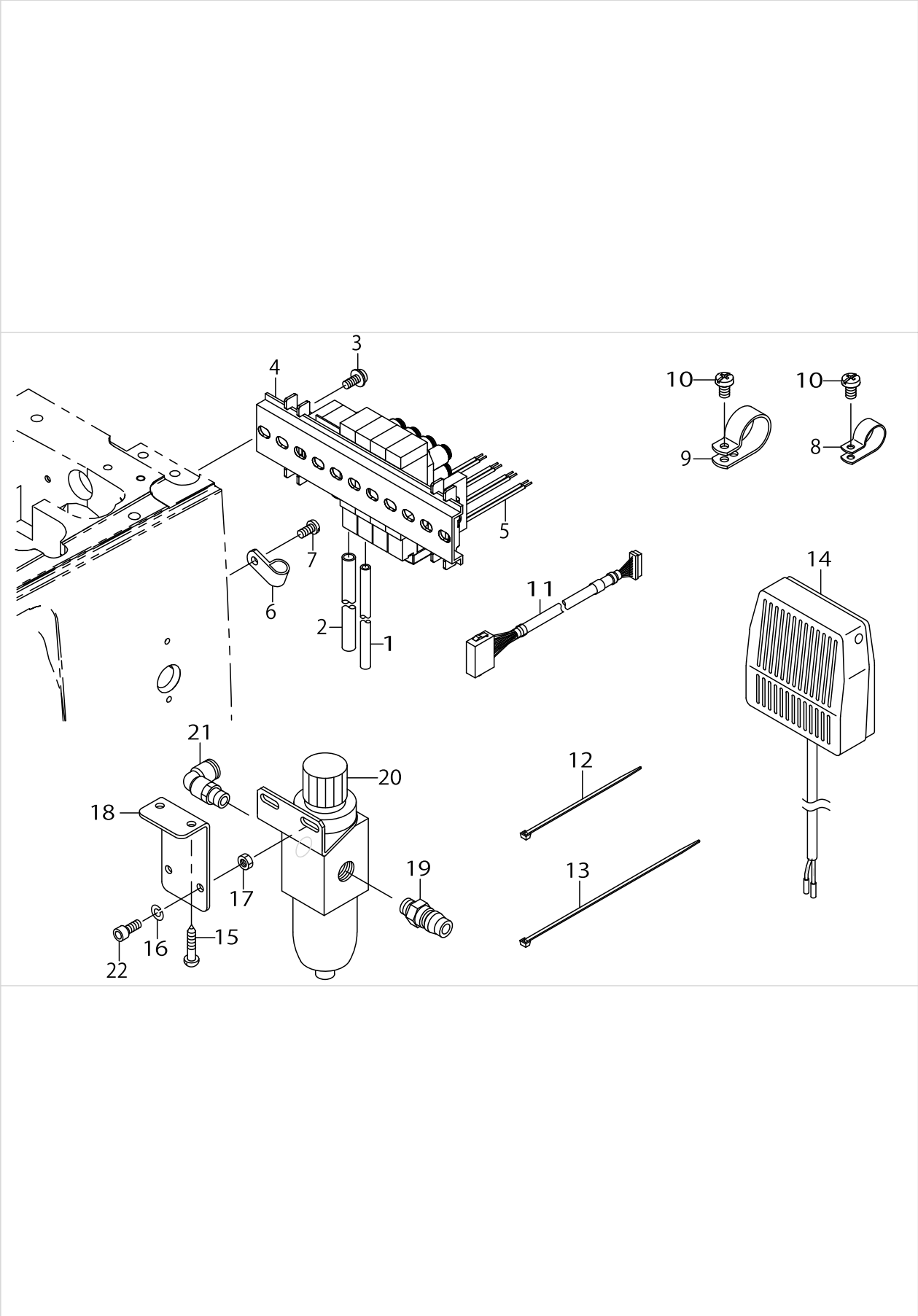
TENSION RELEASE COMPONENTS



TENSION RELEASE COMPONENTS

No.	Supply Code	Parts No.	Replacement	Parts name	Remarks	Choice	Step	Level	Cons	Qty	Rep. QTY
1		40139345		PLUNGER_LINK_PIN						2	
2		40125948		RELEASE_SOLENOID_LINK						2	
3		40126263		SOLENOID_LINK_MOUNTING_PLATE						1	
4		40125949		RELEASE_SOLENOID_BASE						1	
5		SS4090515SP		SCREW 9/64-40 L=5						2	
6		32055501		AT (UPPER) SPRING						2	
7		NM6030001SC		NUT M3X0.5 TYPE1						4	
8		SD0550271TP		SHOULDER SCREW D=5.50 H=2.7						2	
9		SM6030602TP		SCREW M3X0.5 L=6						8	
10	R	WP0320501SE	WP0320501SC	WASHER 3						8	1.00
11		40112285		TENSION_RELEASE_SOLENOID						2	
12		SM4051255SP		SCREW M5 L=12						4	
13		40126563		STOPPER_PLATE						2	
14		40126562		RUBBER HOLDER						2	
15		40086679		WIPER_STOPPER_RUBBER						4	
16		EA9500B0100		CABLE BAND						4	

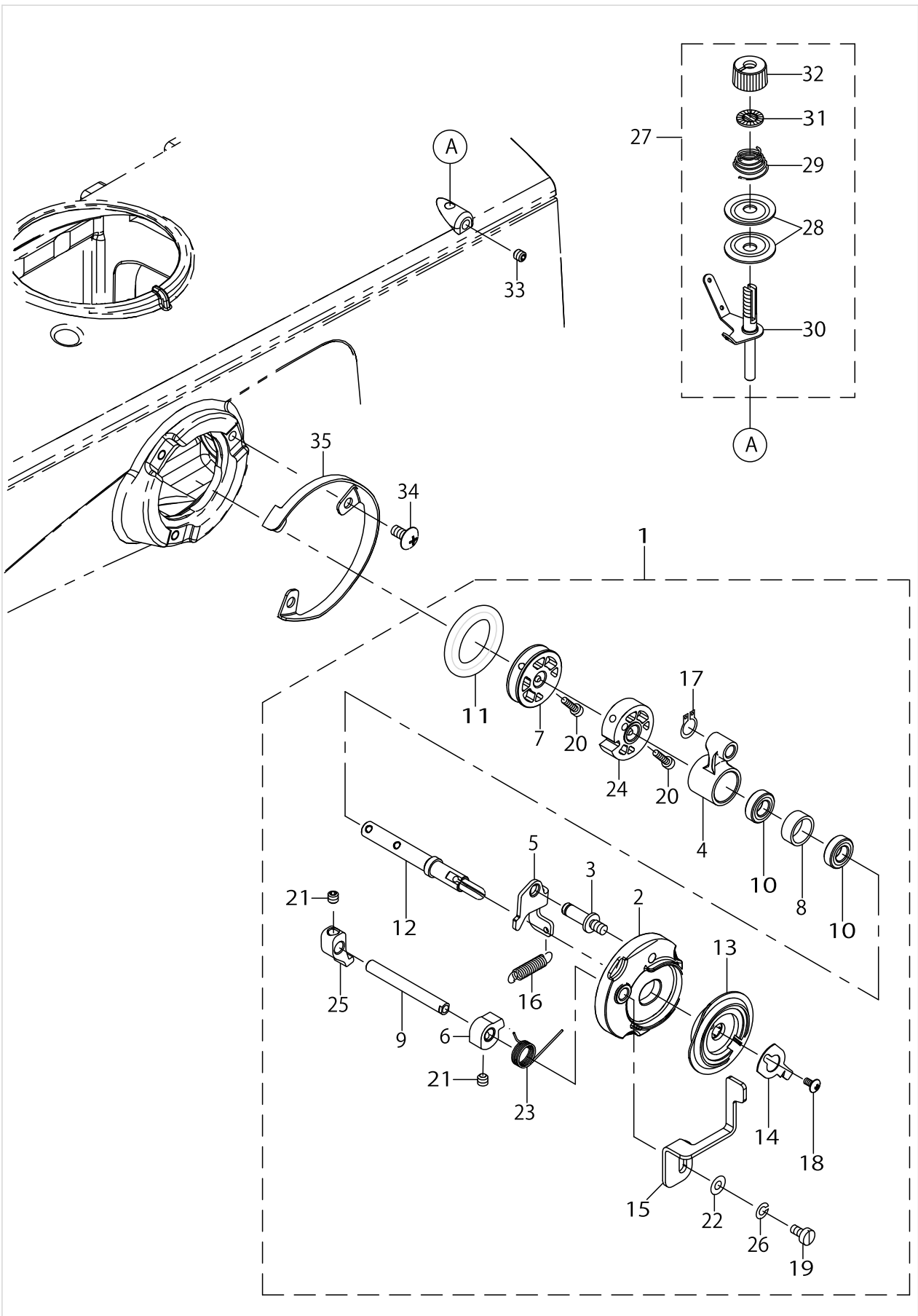
PNEUMATIC COMPONENTS



PNEUMATIC COMPONENTS

No.	Supply Code	Parts No.	Replacement	Parts name	Remarks	Choice	Step	Level	Cons	Qty	Rep. QTY
1		BT0600401EB		URETHANE TUBE BLACK 6X4						1.1	
2		BT0800501EB		URETHANE TUBE BLACK 8X5						1.1	
3		SL4041091SC		SCREW M4 L=10						2	
4		40130283		SOLENOID_VALVE_ASM						1	
5		40130284		SOLENOID VALVE CABLE ASM						1	
6		HX00150000C		CABLE CLAMP						1	
7		SM4040855SP		SCREW						1	
8		HX00150000H		CABLE CLAMP						1	
9		HX00150000M		CABLE CLAMP						1	
10		SM4040855SP		SCREW						2	
11		40126127		AIR VALVE RELAY CABLE ASM						1	
12		EA9500B0100		CABLE BAND						1	
13		EA9500B0200		CABLE BAND 150						4	
14		40143553		KNEE_SWITCH_ASM						1	
15		SK3482001SE		WOOD SCREW D=4.8 L=20						2	
16		WS0510002KN		SPRING WASHER M5						2	
17		NM6050001SP		NUT M5X0.8 TYPE1						2	
18		13860408		REGULATOR BRACKET						1	
19		PJ025100003		PLUG						1	
20		PF055107000		FILTER REGULATOR						1	
21		PJ304065101		ELBOW UNION 6XPT1/8						1	
22		SM6051202TP		SCREW M5X0.8 L=12						2	

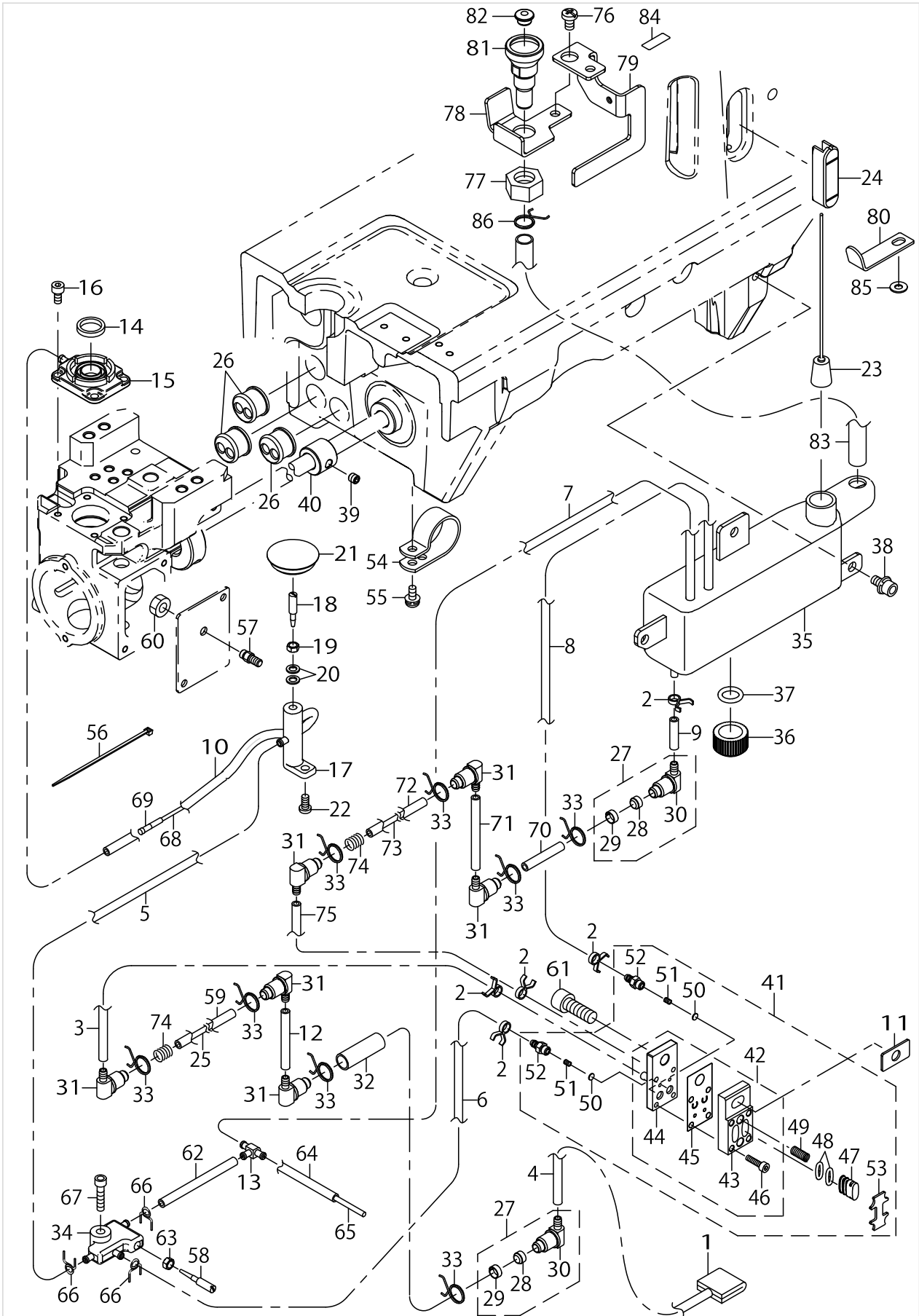
BOBBIN WINDER COMPONENTS



BOBBIN WINDER COMPONENTS

No.	Supply Code	Parts No.	Replacement	Parts name	Remarks	Choice	Step	Level	Cons	Qty	Rep. QTY
1		40126355		BOBBIN_WINDER_UNIT						1	
2	R	26260109	26260000	BTW_BASE				*		1	1.00
3		26260307		BTW_BASE_SHAFT				*		1	
4		26260406		BTW_SHAFT_BASE				*		1	
5		40126594		WINDER_CAM_PLATE				*		1	
6		26260505		BTW_CAM_LEVER				*		1	
7		40125851		WINDER_WHEEL				*		1	
8	R	26260802	26260000	BTW_BEARING_SPACER				*		1	1.00
9		26261008		BTW_LEVER_SHAFT				*		1	
10		40126354		WINDER_BEARING				*		1	
11		26261503		BTW_WHEEL_RUBBER				*	☆	1	
12		40126550		BOBBIN_SHAFT				*		1	
13		40125927		BOBBIN_BASE				*		1	
14		40126311		WINDER_CUTTER				*		1	
15		40151791		BOBBIN_LEVER				*		1	
16		13718507		SPRING				*		1	
17		RC0560711KP		C-RING 6(5.6)				*		1	
18		SM0030601SC		SCREW M3X6				*		1	
19		SM6040860TP		SCREW M4 L=8				*		1	
20		SM6031202TP		SCREW M3X0.5 L=12				*		1	
21		SM8050502TP		SCREW M5 L=5				*		2	
22		WP0450801SP		WASHER				*		1	
23		40126549		HELICAL_TORSION_COIL_SPRING				*		1	
24		40125928		WINDER_LATCH_CAM				*		1	
25		40125844		WINDER_LATCH_B				*		1	
26		WS0451040KP		SPRING WASHER 4.5X8.5X1				*		1	
27		40088958		BOBBIN_THREAD_TENSION_ASM.				*		1	
28		22921506		THREAD_TENSION_DISK				*		2	
29		22921704		THREAD_TENSION_SPRING				*	☆	1	
30		40088959		BOBBIN_THREAD_TENSION_ROD_ASM.				*		1	
31		22921407		ROTATION_STOPPER				*		1	
32		22921308		THREAD_TENSION_NUT				*		1	
33		SM8051002TP		SCREW M5 L=10				*		1	
34		SM0051001SC		SCREW				*		3	
35		40152022		BTW_GUARD				*		1	

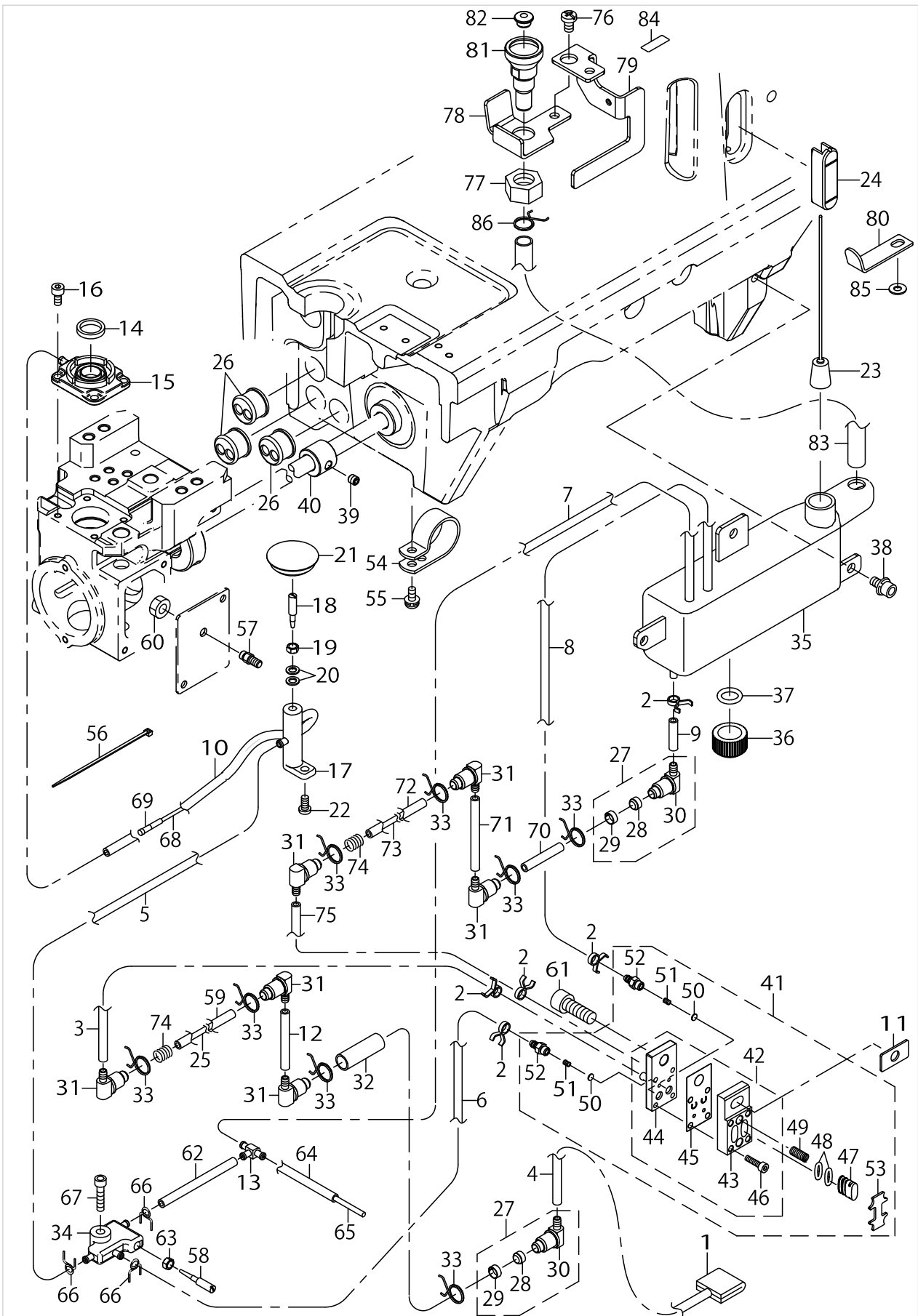
LUBRICATION COMPONENTS



LUBRICATION COMPONENTS

No.	Supply Code	Parts No.	Replacement	Parts name	Remarks	Choice	Step	Level	Cons	Qty	Rep. QTY
1		40112320		FELT						1	
2		13142609		OIL TUBE HOLDER						5	
3		23630007		TUBE						.1	
4		23630007		TUBE						.4	
5		23630007		TUBE						.12	
6		23630007		TUBE						.08	
7		23630007		TUBE						.31	
8		23630007		TUBE						.4	
9		23630007		TUBE						.02	
10		23630007		TUBE						.22	
11		40169707		PUMP_SPACER						1	
12		23630007		TUBE						.04	
13		13765607		OIL_CONNEC_ARM						1	
14		40112318		OIL_SUPPLY_FELT						1	
15		40112246		OIL_SUPPLY						1	
16		SM6040802TP		SCREW_M4X0.7_L=8						4	
17		40069741		OIL_REGULATING_VALVE						1	
18		B1843563000		OIL_ADJUSTING_SCREW						1	
19		NS6110310SP		HEXAGONAL NUT 11/64-40						1	
20		WP0450846SP		WASHER						2	
21		40028294		FEED_ADJUSTING_CAP						1	
22		SM4040855SP		SCREW						1	
23		23628357		FLOATERASM.						1	
24		40036167		OIL_GAGE						1	
25		CQ303000000		COTTON OIL WICK D=3						.26	
26	R	22935308	11100104	MAGNETCORDRUBBER						3	1.00
27		23630650		OIL_FILTER_JOINT_ASM.						2	
28	R	23630403	23630650	OIL_FILTER_STOPPER				*	☆	1	1.00
29	R	23630502	23630650	OIL_FILTER				*		1	1.00
30		23630601		OIL_FILTER_JOINT				*		1	
31		23630601		OIL_FILTER_JOINT						6	
32		23630106		TUBE_B						.03	
33		23629405		PIPE STOPPER B						8	
34		40032804		BASE						1	
35		40125929		OIL_TANK						1	
36		40013595		OIL_EXIT_CAP						1	
37		RO098240100		O-RING						1	
38		SL6051092TN		SCREW M5 L=10						3	
39		SM8050512TP		SCREW						1	
40		40169706		ECCENTRIC_CAM						1	
41		40101719		PUMP_BASE_ASSY						1	
42	R	40102249	40101719	PUMP_BASE_ASM				*		1	1.00
43	R	40101715	40101719	PUMP_BASE_TOP				*		1	1.00
44	R	40101716	40101719	PUMP_BASE_BOTTOM				*		1	1.00
45	R	40101717	40101719	VALVE_SHEET				*		1	1.00
46		SM6031202TP		SCREW_M3X0.5_L=12				*		4	

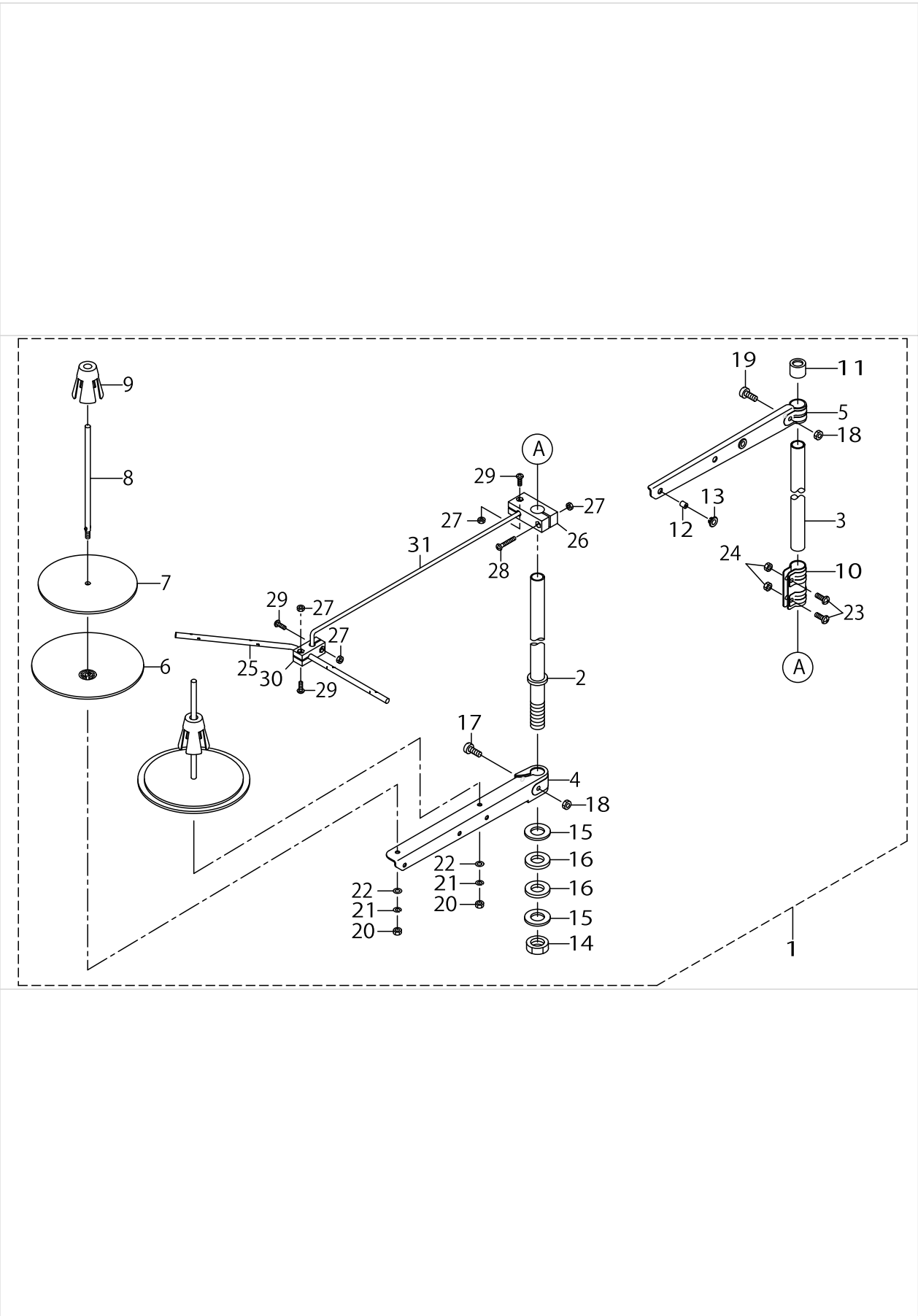
LUBRICATION COMPONENTS



LUBRICATION COMPONENTS

No.	Supply Code	Parts No.	Replacement	Parts name	Remarks	Choice	Step	Level	Cons	Qty	Rep. QTY
47	R	40101713	40101719	OVAL_PLUNGER				*		2	1.00
48		40116455		OVAL_O_RING				*		4	
49		40127446		SPRING				*		2	
50		40116457		FREE_VALVE				*		2	
51		40116458		SPRING				*		2	
52		40116459		CONNECTING_SCREW				*		2	
53		40101714		PLUNGER_HOLD_PLATE				*		1	
54		HX00150000M		CABLE_CLAMP						1	
55		SL4041091SC		SCREW M4 L=10						1	
56		EA9500B0100		CABLE_BAND						4	
57		SQ2050452MZ		CONNECTING_SCREW						1	
58		B1843563000		OIL_ADJUSTING_SCREW						1	
59		23630106		TUBE B						.09	
60		NM6050003SC		NUT M5X0.8 TYPE3						1	
61		SM6061802TP		SCREW_M6_L=18						1	
62		23630007		TUBE						.06	
63		NS6110310SP		HEXAGONAL NUT 11/64-40						1	
64		23630007		TUBE						.28	
65		CQ202000000		COTTON OIL WICK D=2						.05	
66		13142609		OIL TUBE HOLDER						3	
67		SM6041802TP		SCREW M4 L=18						1	
68		CQ202000000		COTTON OIL WICK D=2						.18	
69		11015906		OIL WICK						2	
70		23630106		TUBE B						.03	
71		23630007		TUBE						.05	
72		23630106		TUBE B						.09	
73		CQ303000000		COTTON OIL WICK D=3						.26	
74		12210803		SPRING						2	
75		23630007		TUBE						.1	
76		SM4050855SP		SCREW						1	
77		NM6120001CP		NUT M12X1.75 TYPE1						1	
78		40147956		INLET_PLATE						1	
79		40171133		TUBE HOLDER A						1	
80		40155371		TUBE HOLDER B						1	
81		40155440		LUBRICATING INLET						1	
82		40126582		RUBBER_PLUG						1	
83		23630106		TUBE B						.35	
84		B1140761000		OILING LABEL						1	
85		WP0450801SP		WASHER						1	
86		23629405		PIPE STOPPER B						1	

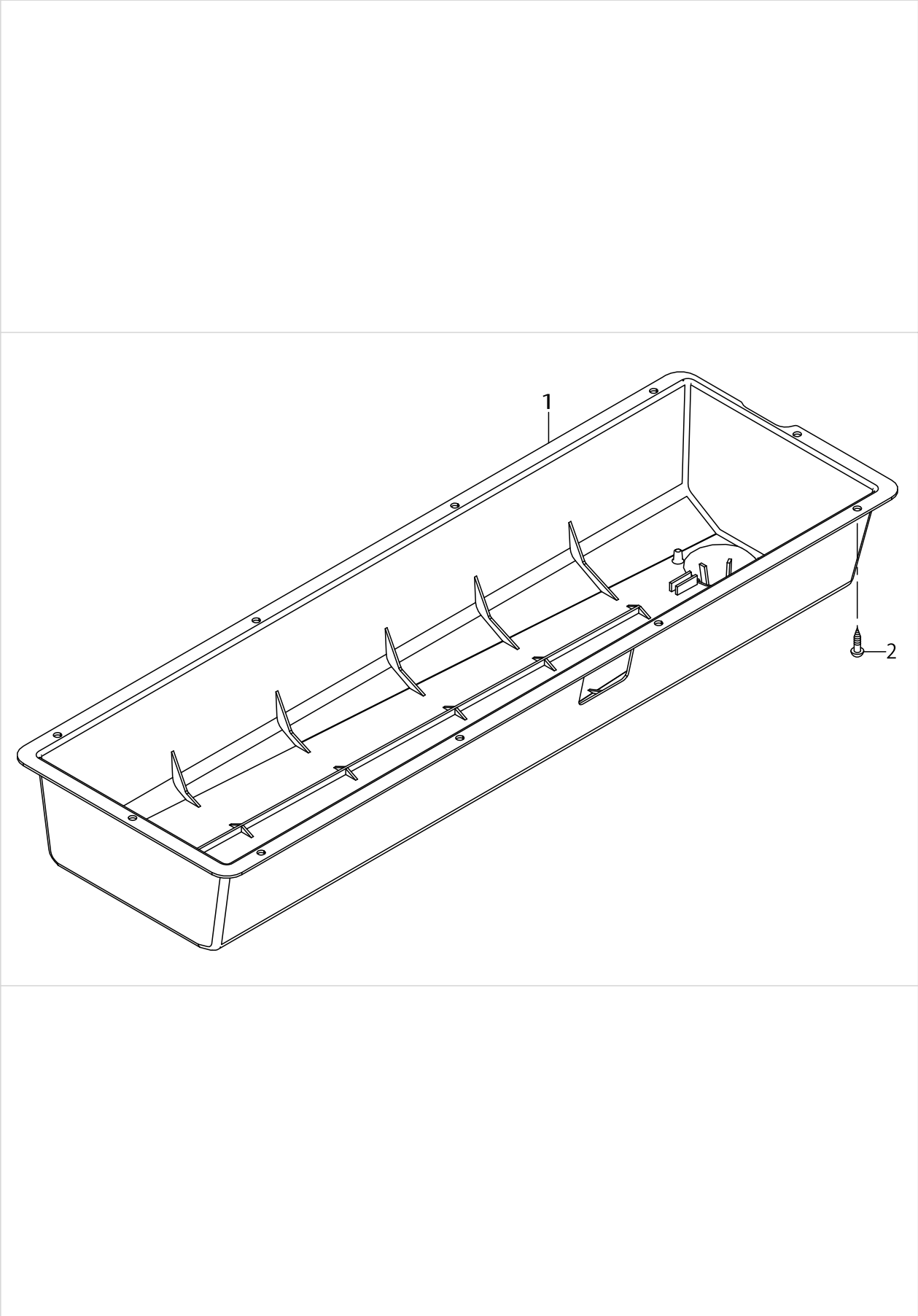
THREAD STAND COMPONENTS



THREAD STAND COMPONENTS

No.	Supply Code	Parts No.	Replacement	Parts name	Remarks	Choice	Step	Level	Cons	Qty	Rep. QTY
1		40142213		THREAD_STAND_PACKING						1	
2		40085784		SPOOL_REST_ROD_LOWER				*		1	
3		40085785		SPOOL_REST_ROD_UPPER				*		1	
4		40085786		SPOOL_REST_ARM_LOWER				*		1	
5		40085787		SPOOL_REST_ARM_UPPER				*		1	
6		40085788		SPOOL_REST				*		2	
7		40085789		SPOOL_REST_CUSHION				*		2	
8		40085790		SPOOL_PIN				*		2	
9		40085791		SPOOL_RETAINER				*		2	
10		40085792		SPOOL_REST_ROD_JOINT				*		1	
11		40085793		SPOOL_REST_ROD_RUBBER_CAP				*		1	
12		40085794		THREAD_GUIDE				*		2	
13		40085795		THREAD_GUIDE_BUSHING				*		2	
14		40096325		SPOOL_REST_ROD_NUT				*		1	
15		WP1612616SE		WASHER_16X30X2.6				*		2	
16		40085796		SPOOL_REST_ROD_- RUBBER_CUSHION				*		2	
17		40096326		SPOOL_REST_ARM_LOWER_SCREW				*		1	
18		NM6050001SE		NUT M5X0.8 TYPE1				*		2	
19	R	40096327	SM4053001SE	SPOOL_REST_ARM_UPPER_SCREW				*		1	1.00
20		NM6050001SE		NUT M5X0.8 TYPE1				*		2	
21		WS0510002KN		SPRING_WASHER_M5				*		2	
22		WP0531001SC		WASHER_M5				*		2	
23		SM4051405SE		SCREW_M5_L=14				*		2	
24		NM6050001SE		NUT M5X0.8 TYPE1				*		2	
25		40106582		THREAD_GUIDE_4				*		1	
26		40106579		THREAD_GUIDE_ARM_BASE				*		1	
27	R	NM6040002SC	NM6040002SE	NUT_M4X0.7 TYPE2				*		4	1.00
28		SM4042501SC		SCREW_M4X0.7_L=25				*		1	
29		SM4041201SC		SCREW_M4X0.7_L=12				*		3	
30		40106580		THREAD_GUIDE_UNDER_BASE				*		1	
31		40106576		THREAD_GUIDE_ARM				*		1	

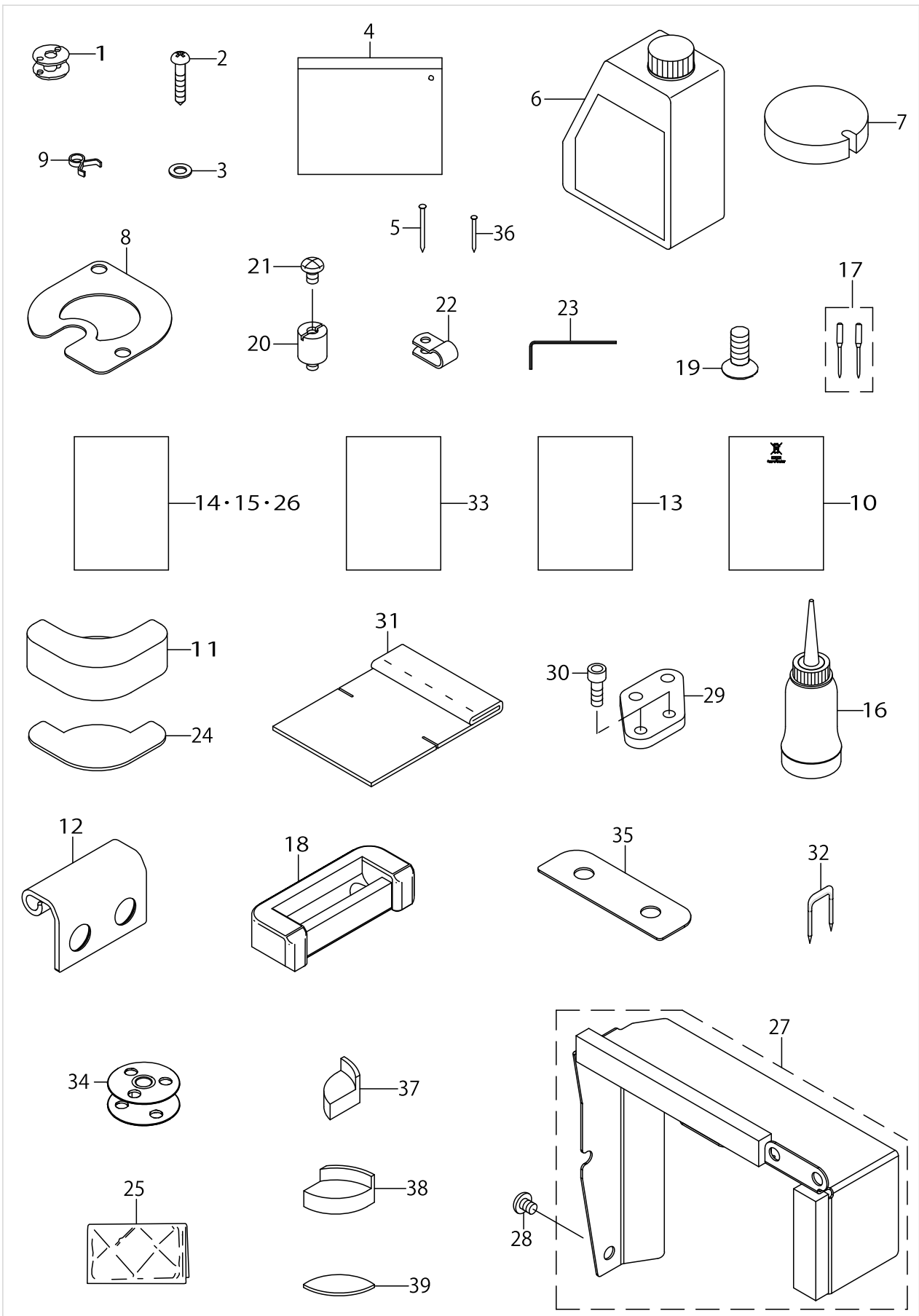
BOTTOM COVER COMPONENTS



BOTTOM COVER COMPONENTS

No.	Supply Code	Parts No.	Replacement	Parts name	Remarks	Choice	Step	Level	Cons	Qty	Rep. QTY
1		40126155		OIL_PAN						1	
2		SK3482001SE		WOOD SCREW D=4.8 L=20						10	

ACCESSORIES PARTS COMPONENTS



ACCESSORIES PARTS COMPONENTS

No.	Supply Code	Parts No.	Replacement	Parts name	Remarks	Choice	Step	Level	Cons	Qty	Rep. QTY
1		21334800		ALUMINUM BOBBIN WITH KNURL	FOR LU-2810ES-7				☆	1	
2		SK3452501SE		WOOD SCREW D=4.5 L=25						4	
3		WP0550800SP		WASHER 5.5X10X0.8						4	
4		21413158		ACCESSORY BAG ASM.						1	
5		10539906		SET NAIL						6	
6	D R	40102087	MDFRX1600C0	JUKI_CORPORATIO- N_GENUINE_OIL_7						1	1.00
7		40126405		OIL_FILTER						1	
8		40126267		FELT HOLDER						1	
9		23629306		PIPE STOPPER A						2	
10		CM600100201		WEEE INFORMATION SHEET	FOR JE					1	
11		40151800		CUSHION_RUBBER						2	
12		40125869		HINGE						2	
13		40142430		DECLARATION OF I- NCORPORATION (LU2800)	FOR JE					1	
14		40169632		INSTRUCTION_MANUAL_CHINESE	FOR CHINA					1	
15		40169631		INSTRUCTION_MANUAL_4K	EXCEPT CHINA					1	
16		B91210120A0		OILER ASM.						1	
17		M13517B1602		NEEDLE 135X17 #160-2					☆	1	
18		40164521		HINGE RUBBER						2	
19		B1516210D00		SCREW						4	
20		40126222		CP_SPACER						2	
21		SM4050855SP		SCREW						2	
22		HX00150000B		CABLE CLAMP						2	
23		40079298		WRENCH						1	
24		10740900		RUBBER						8	
25		40048536		HEAD_COVER						1	
26		40169633		INSTRUCTION_MANUAL_9K	FOR JE					1	
27		40131916		OIL_SHIELD_PLATE_ASSY						1	
28		SM4050655SP		SCREW M5 L=6						4	
29		40112214		EDGE_GUIDE_FITTING_PLATE						1	
30		SM6051402TP		SCREW M5X0.8 L=14						2	
31		40133730		OIL FILTER						1	
32		MAO11532000		CORD STAPLE						3	
33		40169630		PARTS_LIST						1	
34		40147913		BOBBIN	FOR LU-2818ES-7				☆	1	
35		40163914		HINGE SPACER						2	
36	D	22926208		NAIL						2	
37		40151803		RUBBER_CUSHION_LEFT						1	
38		40151804		RUBBER_CUSHION_RIGHT						1	
39		40151805		RUBBER_CUSHION_SHEET						4	

TABLE OF EXCHANGING GAUGE PARTS





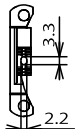
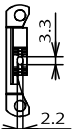
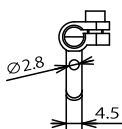
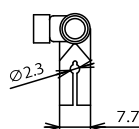
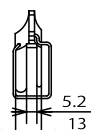
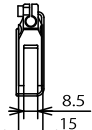
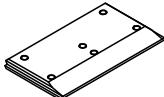

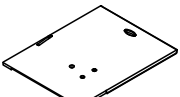
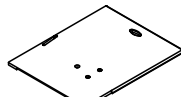
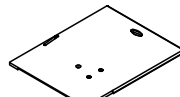
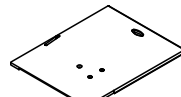
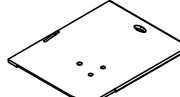
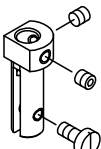
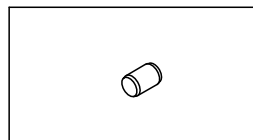
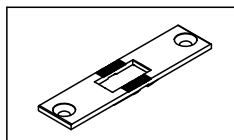
Item 品名	Standard gauge 標準ゲージ				Europe gauge ヨーロッパゲージ					
Throat plate 針板										
	Part No.	401-12212	Part No.	401-26349	Part No.	401-12211	Part No.	401-26350		
Feed dog 送り歯										
	Part No.	401-33270		Part No.	401-33272					
Working foot asm. 送り足	組									
		Part No.	401-43061		Part No.	107-11653				
Presser foot asm. 押え足	組									
		Part No.	213-50152		Part No.	107-12552				
Slide plate (front) 正面滑り板										
	Part No.	-				Part No.	401-47918			
Slide plate (left) 滑り板 左										
	Part No.	401-12224								
Slide plate (right) 滑り板 右										
	Part No.	401-42215	Part No.	401-12225	Part No.	401-42215	Part No.	401-12225	Part No.	401-47944
Presser bar s 押え棒 S			Part No.							
			401-25877							
			SM-8040412-TP							
			SS-6090910-TP							

TABLE OF EXCHANGING GAUGE PARTS SET

• LU-2818A-7



12MM to 9MM EXCHANGE GAGE SET 12mm→9mm交換ゲージセット		THROAT PLATE 針板	STOPPER PIN 送りダイヤルストッパーピン
Part No.	Name	Part No.	Part No.
401-56013	P=9交換系切り付き	401-26350	PH-0400062-C0

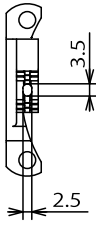
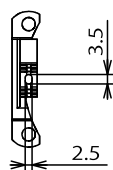
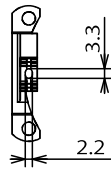
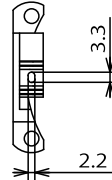
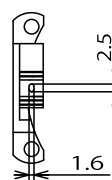
A 12mm to 9mm exchange gauge set becomes the composition of the [9mm throat plate] + [sending dial stopper pin].

12mm→9mm交換ゲージセットは[9mm針板]+[送りダイヤルストッパーピン]の構成になります。

A slide plate is not contained in the contents of composition of a gauge set.

ゲージセットの構成内容に滑り板は含まれません

TABLE OF OPTIONAL GAUGE PARTS (1)

Item 品名	LU-2810S,S-7	LU-2810A,A-7	LU-2818A-7
Feed dog 送り歯			
		Part No.	Part No.
		401-33273	401-33272
			Without groove. 溝なし
		Part No.	107-17205
	For fine yarn 細糸用		
Part No.	Part No.		
401-33271	107-17304		

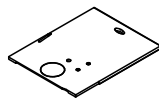
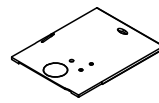



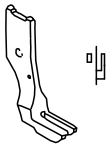

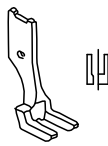
Item 品名	LU-2810S,S-7	LU-2810A,A-7	LU-2818A-7
Slide plate (With a window) 滑り板 (窓付)			
	Part No.		Part No.
	401-33312		401-55087

TABLE OF OPTIONAL GAUGE PARTS (2)

For piping パイピング用		
	Feed foot 送り足	Presser foot asm. 押え足 (組)
		
Size(mm)	Part No.	Part No.
Ø4.8mm(3/16)	B1478-245-000	B1530-245-0AD
Ø6.4mm(1/4)		B1530-245-0AF
Ø7.9mm(5/16)		B1530-245-0AH
Ø9.5mm(3/8)		B1530-245-0AK
		
Size(mm)	Part No.	Part No.
Ø4.8mm(3/16)	B1479-245-00D	B1531-245-0AD
Ø6.4mm(1/4)	B1479-245-00F	B1531-245-0AF
Ø7.9mm(5/16)	B1479-245-00H	B1531-245-0AH
Ø9.5mm(3/8)	-	-
		
Size(mm)	Part No.	Part No.
Ø4.8mm(3/16)	B1474-245-00D	B1527-245-0AD
Ø6.4mm(1/4)	B1474-245-00F	B1527-245-0AF
Ø7.9mm(5/16)	B1474-245-00H	B1527-245-0AH
Ø9.5mm(3/8)	B1474-245-00K	B1527-245-0AK

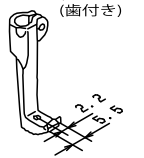
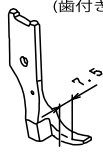
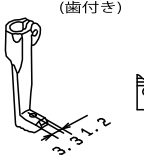
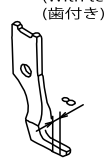
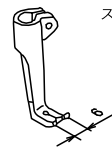
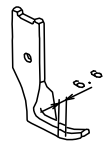
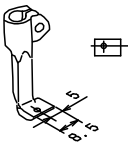

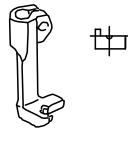



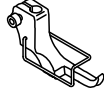


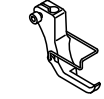
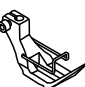
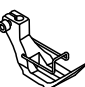

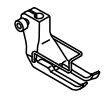
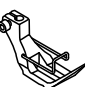

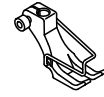


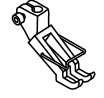


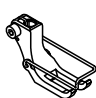
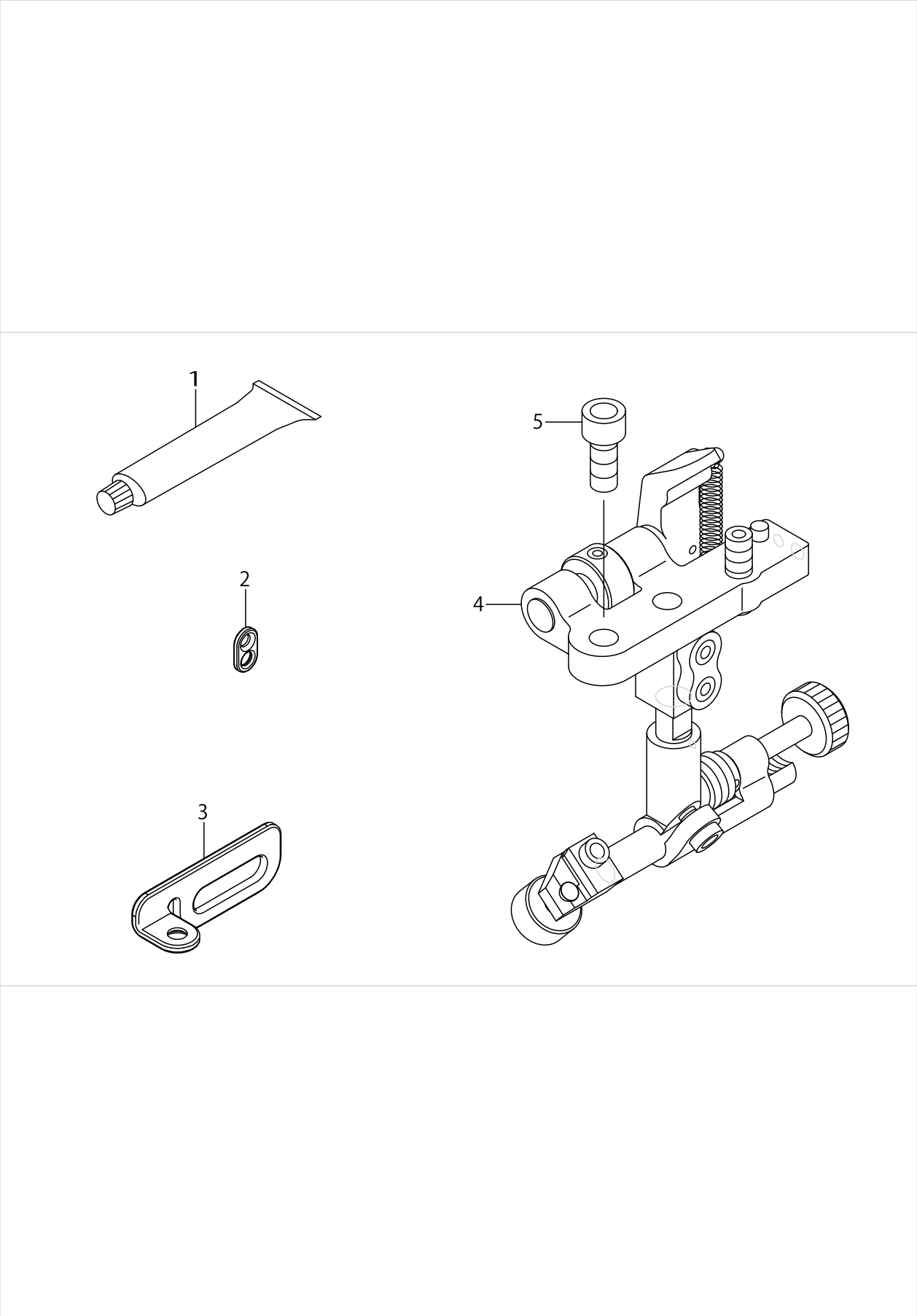
Right-edge presser 右片押え	
Feed foot 送り足	Presser foot asm. 押え足 (組)
	
Part No.	Part No.
B1476-245-00A	B1529-245-0AA
Left-edge presser 左片押え	
	
Part No.	Part No.
103-38309	B1525-563-SA0
	
Part No.	Part No.
B1470-245-000	B1524-245-0A0
For binding テープ付け用	
	
Part No.	
MAQ-09307000	
	
Part No.	Part No.
MAN-10452000	MAQ-093080A0

TABLE OF OPTIONAL GAUGE PARTS (3)

	For piping パイピング用			Right-edge presser 右片押え	
	Feed foot asm. 送り足 (組)	Presser foot asm. 押え足 (組)		Feed foot asm. 送り足 (組)	Presser foot asm. 押え足 (組)
					
Size(mm)	Part No.	Part No.		Part No.	Part No.
Ø3mm	107-45354	107-47350		107-11851	107-12859
Ø4mm	107-45453	107-47459			
Ø5mm	107-45552	107-47558			
Ø6mm	107-45651	107-47657			
	Adjustment type 調整式				
Size(mm)	Part No.	Part No.			
Ø3mm	107-46352	107-47350			
Ø4mm	107-46451	107-47459			
Ø5mm	107-46550	107-47558			
Ø6mm	107-46659	107-47657			
	For urethane ウレタン用			Left-edge presser 左片押え	
	Feed foot asm. 送り足 (組)	Presser foot asm. 押え足 (組)			
	For light-weight urethane 薄いウレタン用			Part No.	Part No.
	Part No.			107-11950	107-12958
	107-11653				
	For light-weight urethane 薄いウレタン用			Wide type 幅広タイプ	
	Part No.				
	107-12354			Part No.	Part No.
	For heavy-weight urethane 厚いウレタン用			107-12057	107-13055
	Part No.				
	107-11752				
	Part No.	Part No.		Control area smallness 押え面積小	
	107-11752	107-12750			
				Part No.	
				107-11653	
					
				Part No.	Part No.
				107-12354	107-58456
				For overlapped sections of material 段部用	
					
				Part No.	
				107-11653	
					
				Part No.	Part No.
				107-12354	107-12651
	For thick thread 太糸用				
					
	Part No.	Part No.			
	401-69655	107-12552			

OPTIONAL PARTS



OPTIONAL PARTS

No.	Supply Code	Parts No.	Replacement	Parts name	Remarks	Choice	Step	Level	Cons	Qty	Rep. QTY
1		40006323		JUKI GREASE A TUBE						1	
2		40173070		NEEDLE_BAR_THRE- AD_GUIDE_10ESA						1	
3		40169642		THREAD_GUIDE_B						1	
4		MAH152010A0		RULER						1	
5		SM6061402TP		SCREW M6 L=14						2	

LIST FOR INFORMATION OF CHANGE

As to the place changed, refer to the corresponding Rev.No.
 When previous parts(Obsoleted part)and new parts(Added parts)are
 not interchangeable with each other:
 In this case, even obsoleted parts(D.)can be ordered with the
 obsoleted part number, so select the parts with changed dates and
 place your orders.

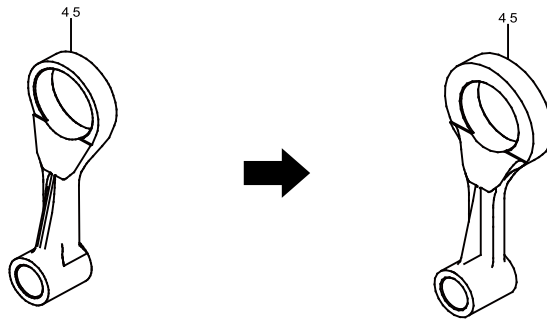
変更箇所は、該当Rev.No.版をご参照ください。
 部品の互換性がない変更の場合は、削除された品番でも、ご注文できます。

40169630
No.1691-01・・・Rev.No.

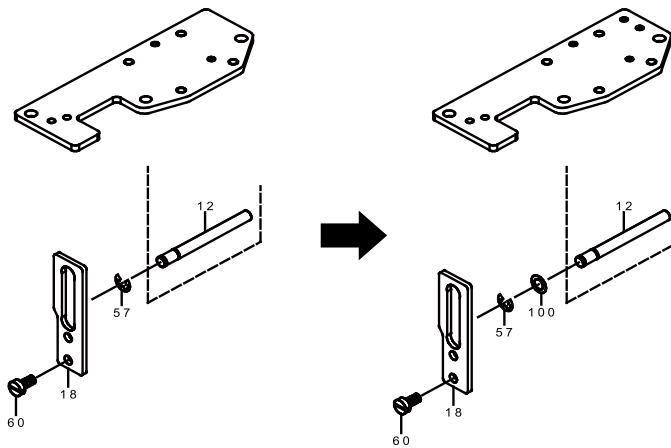
*A:Added parts追加部品/D:Obsoleted parts削除部品/E:Erratum訂正

*	Rev. No.	Page 頁	Ref. No.	Parts No. 品番	*	Rev. No.	Page 頁	Ref. No.	Parts No. 品番
D	00	2	30	401-69689	A	01	2	30	401-69642
					A	01	6	41	401-78188
					A	01	8	68	401-78330
D	00	14	3	107-10804	A	01	14	3	401-78095
D	00	14	6	40144287	A	01	14	6	401-78169
D	00	14	8	401-25852	A	01	14	8	401-78171
D	00	14	11	SM-4030601-SN	A	01	14	11	SM-6040650-TP
D	00	14	23	401-35014	A	01	14	23	401-71574
D	00	14	47	401-12197	A	01	14	47	401-78333
D	00	18	83	401-69691	A	01	18	83	401-78995
D	00	18	84	401-69692	A	01	18	84	401-78996

CORRECTION AND SUPPLEMENT (1)



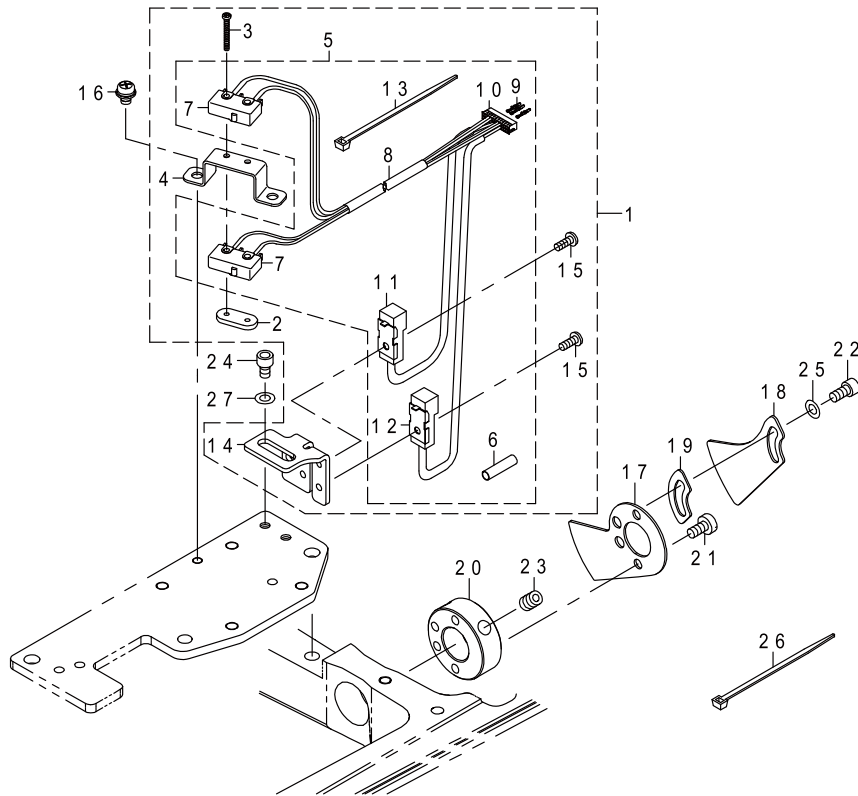
Page	Item	No.	Before a change	After a change	English Name	Japanese name	Qty.	Remarks
P.4	Main Shaft & Thread Take-up Lever Components	35	40160240	40182477	THREAD TAKE UP COMP L	L	1	-
		40	40160241	40182476	THREAD TAKE UP ASM L B	L_B	(1)	-
		42	40143075	40182475	NEEDLE BAR CRANK ROD COMP		(1)	-
		44	40143076	40182474	NEEDLE BAR CRANK ROD ASM		(1)	-
		45	40112093	40181687	NEEDLE BAR CRANK ROD		(1)	-



Page	Item	No.	Before a change	After a change	English Name	Japanese name	Qty.	Remarks
P.14	Upper Feed Components	57	RE0500000 K0	40181045	E_RING	E	1	-
		86	40125868	40182812	INSTALLING_P_LATE		1	-
		100	-	WP0650216 KD	WASHER 6.5X11 X0.2	6.5X11 X0.2	1	-

Page	Item	No.	Before a change	After a change	English Name	Japanese name	Qty.	Remarks
P.18	Upper Feed Components	96	SM8040412 TP	SM8030412 TP	SCREW	M3 L=4	2	-

CORRECTION AND SUPPLEMENT (2)



Page	Item	No.	Before a change	After a change	English Name	Japanese name	Qty.	Remarks	
P.24	Speed Adjust Components	1	40126260	40183808	VERTICAL DETECTOR SWITCH ASM	S W	1	-	
		5	40126131	40181864	SPEED CONTROL CORD ASM		(1)	-	
		11	-	HD00203000C	SENSOR		(1)	-	
		12	-	HD00203000D	SENSOR		(1)	-	
		14	-	40183720	SENSOR BRACKET		(1)	-	
		15	-	SM5030801SC	SCREW M 3X0.5 L=8		M3X0.5 L=8	(2)	-
		17	-	40183718	SLIT PLATE A		A	1	-
		18	-	40183719	SLIT PLATE B		B	1	-
		19	-	40183737	SLIT PLATE WASHER			1	-
		20	-	40183739	SLIT PLATE COLLAR			1	-
		21	-	SM6040860 TP	SCREW M 4 L=8			2	-
		22	-	SM6040802 TP	SCREW M 4X0.7 L=8		M4X0.7 L=8	2	-
		23	-	SM80608 A2TP	SCREW M 6 L=8		M6 L=8	2	-
		24	-	SM6040602 TP	SCREW M 4X0.7 L=6		M4X0.7 L=6	2	-
		25	-	WP0430800SD	WASHER M4		M4	2	-
		26	-	EA9500 B0100	CABLE BAND			1	-
		27	-	WP0450801SD	WASHER 4.5X10X0.8		4.5X10X0.8	2	-

HOW TO MAKE USE OF THIS PARTS LIST

1.Explanation of codes

1)"*"mark.....means this part is changed from the previous parts book.

As to the details of the change, refer to the "List for information of change".

2)"#01".....refer to "Note" explanation at bottom of page.

2.Codes on the "Qty" column

• Each numeral indicates the number of parts required.

• "0.1" and "2.5" indicate the length (in meters) of the respective parts.

3.Parentheses mean that the corresponding part is a subpart that constructs an assembly part.

4.Dotted lines on the Figures indicate assembly parts.

5.As to the parts with marks of "☆"(consumable parts) and "◎"(optional parts)on the respective parts, it is recommended to prepare spares.

1 ."注記"欄の記号説明

1) "*"印.....前回のパーツブックに比較して今回変更された部品を意味します。

変更内容は、"変更情報リスト"を参照してください。

2) "#01".....ページ下の"注記"の説明を参照してください。

2.数量欄の数字は、個数を表し、0.1、2.5等の数値は、長さ（単位メートル）を表します。

3.数量欄の（ ）は、組部品を構成している子部品であることを意味します。

4.イラストページの-----枠は、組構成であることを意味します。

5.リストページの"☆"（消耗部品）、"◎"（オプション部品）の印がついた部品は、予備を準備しておくことをお奨めします。

NUMERICAL INDEX OF PARTS

PART NO	PAGE	REF NO.	PART NO	PAGE	REF NO.	PART NO	PAGE	REF NO.
10320109	54	34	22902506	2	16	26231902	48	31
10539906	70	5	22904106	28	35	26260109	60	2
10546901	8	51	22904155	22	52	26260307	60	3
10697506	54	14	22904155	28	34	26260406	60	4
10712552	22	74	22911804	34	61	26260505	60	6
10715704	34	62	22911804	36	61	26260802	60	8
10715704	36	62	22912257	54	1	26261008	60	9
10721504	6	39	22921308	60	32	26261503	60	11
10740900	70	24	22921407	60	31	32055501	56	6
11015906	64	69	22921506	54	31	40006323	77	1
12210803	64	74	22921506	60	28	40006716	26	2
12938304	54	17	22921704	60	29	40010437	6	20
13142609	62	66	22926208	70	36	40010438	6	21
13142609	64	66	22935308	62	26	40010439	6	22
13409107	26	10	22945703	54	9	40010440	6	23
13424502	34	31	22945802	54	11	40010533	6	14
13718507	60	16	22949101	26	17	40010534	6	15
13765607	62	13	22951552	2	27	40010535	6	16
13817408	54	18	22954309	54	2	40011902	6	37
13860408	58	18	22956205	48	2	40013595	62	36
13951009	26	22	22957104	48	3	40023627	20	21
18035006	36	85-86	22957203	48	4	40028294	62	21
18035105	36	85-86	22963409	54	10	40032804	62	34
18035303	26	13	23605207	6	18	40034674	2	10
18035501	40	6	23628357	62	23	40034675	2	9
18035709	52	19	23629306	70	9	40036167	62	24
18035907	42	12	23629405	62	86	40038494	20	35
21334800	18	22	23629405	64	86	40042716	2	11
21334800	70	1	23630007	34	13	40048536	70	25
21387709	14	53	23630007	62	75	40052254	42	4
21387907	14	55	23630007	64	75	40069741	62	17
21389408	48	11-12	23630106	62	83	40075542	18	36
21413158	70	4	23630106	64	83	40075547	18	40
22528509	54	39	23630403	62	28	40075548	18	41
22606206	10	30~37	23630502	62	29	40077931	36	74
22606305	10	30~37	23630601	62	31	40079298	70	23
22606404	10	30~37	23630650	62	27	40079898	18	28
22607600	10	30~37	23631708	42	16	40079899	18	29
22607709	10	30~37	23631807	42	17	40079900	18	30
22607808	10	30~37	23631906	42	18	40079902	18	32
22607907	10	30~37	23632102	42	14	40079903	18	33
22617807	54	16	23638406	46	2	40079909	18	37
22618201	54	19	26017400	30	71	40079912	18	42
22618706	54	33	26018705	30	62	40085784	66	2
22901805	2	6	26229302	36	53	40085785	66	3

NUMERICAL INDEX OF PARTS

PART NO	PAGE	REF NO.	PART NO	PAGE	REF NO.	PART NO	PAGE	REF NO.
40085786	66	4	40112140	52	5	40123320	20	29
40085787	66	5	40112149	52	6	40123321	20	30
40085788	66	6	40112151	52	8	40123332	28	27
40085789	66	7	40112152	10	6	40123340	12	20
40085790	66	8	40112184	26	3	40123345	22	72
40085791	66	9	40112187	26	14	40123345	30	67
40085792	66	10	40112188	26	15	40123414	20	39
40085793	66	11	40112191	40	7	40123547	28	16
40085794	66	12	40112192	40	11	40123626	28	14
40085795	66	13	40112199	22	48	40123666	28	1
40085796	66	16	40112204	54	21	40123667	28	4
40086018	26	24	40112213	42	15	40125843	28	13
40086679	56	15	40112214	70	29	40125844	60	25
40088958	60	27	40112215	44	3	40125850	22	50
40088959	60	30	40112216	44	5	40125851	60	7
40090058	20	17	40112218	54	22	40125854	20	9
40094561	2	42	40112219	54	23	40125856	28	22
40096325	66	14	40112224	4	49	40125857	28	25
40096326	66	17	40112228	52	9	40125858	36	64
40096327	66	19	40112232	48	13	40125867	20	22
40101713	64	47	40112233	48	36	40125868	22	86
40101714	64	53	40112234	48	35	40125869	70	12
40101715	62	43	40112235	48	8	40125872	52	4
40101716	62	44	40112240	12	15	40125873	54	4
40101717	62	45	40112246	62	15	40125876	22	71
40101719	62	41	40112252	16	5	40125879	48	5-6
40102087	70	6	40112270	10	10	40125926	22	46
40102249	62	42	40112272	10	9	40125927	60	13
40102261	2	4	40112274	6	10	40125928	60	24
40105508	44	1	40112278	48	9	40125929	62	35
40105509	44	4	40112285	56	11	40125930	6	38
40105510	44	2	40112288	42	13	40125935	30	65
40106576	66	31	40112293	28	30	40125943	20	18
40106579	66	26	40112312	6	24	40125948	56	2
40106580	66	30	40112318	62	14	40125949	56	4
40106582	66	25	40112320	62	1	40125950	6	27
40112087	6	1	40113224	14	61	40126116	34	15
40112091	6	30	40116455	64	48	40126127	58	11
40112092	6	41	40116457	64	50	40126129	42	20
40112093	6	45	40116458	64	51	40126130	48	32
40112094	8	46	40116459	64	52	40126131	46	5
40112106	6	26	40123248	48	37	40126150	26	4
40112127	36	49	40123252	28	29	40126151	28	15
40112137	52	2	40123262	20	28	40126155	68	1
40112138	52	3	40123319	20	27	40126160	20	31

NUMERICAL INDEX OF PARTS

PART NO	PAGE	REF NO.	PART NO	PAGE	REF NO.	PART NO	PAGE	REF NO.
40126221	2	32	40129986	34	2	40137780	28	26
40126222	70	20	40129988	34	4	40137780	34	36
40126223	20	34	40129991	36	50	40137921	48	18
40126259	46	4	40129995	2	21	40138418	12	38~51
40126260	46	1	40129999	36	67	40138419	12	38~51
40126263	56	3	40130001	34	17	40138420	12	38~51
40126264	20	37	40130003	34	70	40138421	12	38~51
40126265	54	3	40130003	36	70	40138422	14	38~51
40126267	70	8	40130004	34	69	40138423	14	38~51
40126269	20	36	40130004	36	69	40139043	12	30
40126311	60	14	40130005	34	71	40139345	56	1
40126321	6	12	40130005	36	71	40142204	18	1
40126338	20	33	40130006	34	88	40142208	52	10
40126339	28	28	40130006	36	88	40142213	66	1
40126351	16	9	40130277	6	25	40142430	70	13
40126354	60	10	40130283	58	4	40143075	6	42
40126355	60	1	40130284	58	5	40143076	6	44
40126357	28	12	40130412	34	39	40143077	6	36
40126359	30	66	40130704	2	15	40143083	6	29
40126360	16	10	40130819	36	87	40143084	12	27
40126363	34	1	40130820	34	89	40143087	30	50
40126364	26	6	40130820	36	89	40143088	6	13
40126367	26	1	40131916	70	27	40143185	14	38~51
40126372	12	25	40132118	34	78	40143188	14	38~51
40126374	20	45	40132118	36	78	40143221	10	12
40126382	14	52	40133612	52	1	40143553	58	14
40126390	20	32	40133655	52	7	40143581	14	38~51
40126391	16	15	40133730	70	31	40143624	34	32
40126400	22	49	40133826	34	38	40144283	26	5
40126401	28	10	40134105	34	12	40145548	20	42~44
40126404	54	24	40134528	34	5	40145549	20	42~44
40126405	70	7	40134532	8	50	40145550	20	42~44
40126549	60	23	40134545	8	49	40147913	18	43
40126550	60	12	40134805	2	29	40147913	70	34
40126562	56	14	40134834	2	22	40147915	16	1
40126563	56	13	40135472	16	13	40147918	4	47
40126582	64	82	40135473	16	11	40147919	2	24
40126594	60	5	40135475	16	6	40147942	48	5·6
40126642	36	66	40137431	16	2	40147943	48	11·12
40126643	36	68	40137553	30	68	40147944	4	46
40126724	54	25	40137554	30	70	40147946	42	1
40127041	10	7	40137612	36	93	40147947	42	2
40127446	64	49	40137612	38	93	40147948	42	3
40129984	34	3	40137613	34	14	40147949	2	38
40129985	36	65	40137779	28	33	40147956	64	78

NUMERICAL INDEX OF PARTS

PART NO	PAGE	REF NO.	PART NO	PAGE	REF NO.	PART NO	PAGE	REF NO.
40147985	18	23	40151805	70	39	40169449	18	20
40148037	18	38	40152022	60	35	40169450	18	21
40148283	2	23	40154199	20	19	40169451	18	2
40149030	18	24	40154825	48	1	40169452	18	3
40149032	18	26	40154832	32	94	40169453	18	9
40149033	18	27	40154833	32	92	40169454	18	11
40149034	18	31	40155295	48	38~44	40169455	18	12
40149035	18	34	40155296	48	38~44	40169629	34	24
40149036	18	35	40155297	48	38~44	40169630	70	33
40149037	18	39	40155298	48	38~44	40169631	70	14·15·26
40149038	18	25	40155299	50	38~44	40169632	70	14·15·26
40149115	22	87~90	40155301	50	45~51	40169633	70	14·15·26
40149115	30	80~83	40155302	50	45~51	40169640	2	1
40149116	22	87~90	40155303	50	45~51	40169642	2	30
40149116	30	80~83	40155304	50	45~51	40169642	77	3
40149117	22	87~90	40155305	50	45~51	40169644	6	2
40149117	30	80~83	40155371	64	80	40169647	6	4
40149118	24	87~90	40155440	64	81	40169649	10	19~23
40149118	30	80~83	40155956	54	5	40169650	10	19~23
40149120	24	91~94	40155958	54	6	40169651	10	29
40149120	28	17~20	40155960	54	7	40169652	10	24~28
40149120	38	94~97	40155994	54	8	40169653	10	24~28
40149121	24	91~94	40157625	50	45~51	40169654	10	24~28
40149121	28	17~20	40157626	50	45~51	40169656	10	1
40149121	38	94~97	40157628	50	38~44	40169657	10	3
40149122	24	91~94	40157629	50	38~44	40169658	10	4
40149122	28	17~20	40160240	6	35	40169659	10	2
40149122	38	94~97	40160241	6	40	40169661	12	1
40149123	24	91~94	40160242	8	47	40169662	12	2
40149123	28	17~20	40161459	54	13	40169663	12	3
40149123	38	94~97	40163914	70	35	40169664	12	5
40149125	24	95~98	40164521	70	18	40169665	12	34
40149125	30	76~79	40169433	18	4	40169666	12	32
40149126	24	95~98	40169434	18	5	40169667	12	16
40149126	30	76~79	40169435	18	6	40169668	12	9
40149127	24	95~98	40169436	18	7	40169669	14	56
40149127	30	76~79	40169437	18	8	40169671	12	19
40149128	24	95~98	40169439	18	10	40169672	14	57
40149128	30	76~79	40169442	18	13	40169673	12	11
40150131	2	44	40169443	18	14	40169674	20	1
40151791	60	15	40169444	18	15	40169675	20	4
40151799	2	5	40169445	18	16	40169676	20	5
40151800	70	11	40169446	18	17	40169677	20	12
40151803	70	37	40169447	18	18	40169678	20	2
40151804	70	38	40169448	18	19	40169679	20	38

NUMERICAL INDEX OF PARTS

PART NO	PAGE	REF NO.	PART NO	PAGE	REF NO.	PART NO	PAGE	REF NO.
40169680	20	40	40176783	14	54	BT0600401EB	58	1
40169681	20	16	40178095	20	3	BT0800501EB	58	2
40169682	22	51	40178169	20	6	CM300200001	2	14
40169683	22	67~70	40178171	20	8	CM600100101	2	43
40169684	22	67~70	40178188	10	41	CM600100201	70	10
40169685	22	85	40178330	14	68	CQ202000000	22	83
40169686	22	75	40178333	22	47	CQ202000000	28	48
40169686	28	5	40178995	30	84~88	CQ202000000	30	48
40169687	22	64	40178996	30	84~88	CQ202000000	64	68
40169688	28	2	B111105100B	2	45	CQ252000000	10	16
40169690	30	89	B1111563000	2	35	CQ252000000	22	79
40169693	30	84~88	B1132521000	2	12	CQ303000000	62	73
40169694	28	6	B1140761000	64	84	CQ303000000	64	73
40169695	28	7	B1223771000	20	15	CS1201171TP	34	33
40169696	28	11	B125578100A	28	32	CS1501181TP	32	90
40169697	28	23	B1308055000	14	58	CS1701181TP	10	17
40169698	28	24	B1310055000	14	59	D1231555B00	12	28
40169700	6	6	B1314055000	14	60	D1231555B00	28	31
40169701	6	7	B1412051000	10	15	D2112555B00	2	40
40169702	34	23	B1438512B00	10	30~37	D2464555B00	52	11
40169703	48	7	B1504210000	40	1	D2629M1YC0F	36	52
40169704	48	10	B1516210D00	70	19	E2613700000	20	26
40169705	48	34	B152652700G	34	63	E8760452D00	46	6
40169706	62	40	B152652700G	36	63	EA9500B0100	36	91
40169707	62	11	B1639051000	12	14	EA9500B0100	42	21
40171133	64	79	B1843563000	62	58	EA9500B0100	48	33
40171403	10	19~23	B1843563000	64	58	EA9500B0100	56	16
40171574	20	23	B2508047000	48	15	EA9500B0100	58	12
40171795	30	73~75	B255728000A	12	38~51	EA9500B0100	64	56
40171796	30	73~75	B255728000B	12	38~51	EA9500B0200	58	13
40171797	30	73~75	B255728000C	12	38~51	HA004680000	46	7
40171825	32	95	B255728000D	12	38~51	HK063610220	46	10
40171826	34	46	B255728000E	12	38~51	HK075230000	46	9
40173070	77	2	B3031141H00	40	3	HW000840040	46	8
40173071	20	20	B3112704000	54	20	HX00150000B	70	22
40174550	22	67~70	B31375270A0	54	15	HX00150000C	58	6
40174551	22	67~70	B3538112000	12	23	HX00150000H	58	8
40174552	30	84~88	B4122804000	34	48	HX00150000M	58	9
40174553	30	84~88	B4122804000	36	48	HX00150000M	64	54
40174557	10	19~23	B91210120A0	70	16	M13517B1600	10	40
40174558	10	19~23	BT0400251EB	26	12	M13517B1602	70	17
40174559	10	24~28	BT0400251EB	36	75·76	MAH152010A0	77	4
40174560	10	24~28	BT0400251EB	40	2	MAO11532000	70	32
40176440	32	97	BT0400251EB	42	6	NM6030001SC	56	7
40176628	20	7	BT0400251EB	52	13	NM6040002SC	66	27

NUMERICAL INDEX OF PARTS

PART NO	PAGE	REF NO.	PART NO	PAGE	REF NO.	PART NO	PAGE	REF NO.
NM6050001SD	36	54	RO092270200	36	55	SM4040855SP	50	52
NM6050001SE	66	24	RO098240100	62	37	SM4040855SP	58	10
NM6050001SP	58	17	SB108000600	12	35	SM4040855SP	62	22
NM6050003SC	64	60	SB108002400	6	48	SM4041201SC	66	29
NM6060001CP	42	9	SB108002400	8	48	SM4042501SC	66	28
NM6060001SC	42	26	SB117000700	30	51	SM4050501SC	10	11
NM6060001SD	20	25	SB120001800	6	17	SM4050655SP	70	28
NM6120001CP	64	77	SB120001800	12	8	SM4050855SP	2	41
NS6110310SP	48	19	SB120003200	14	66	SM4050855SP	42	8
NS6110310SP	54	36	SB125000600	22	58	SM4050855SP	54	41
NS6110310SP	62	63	SD0380556TL	2	13	SM4050855SP	64	76
NS6110310SP	64	63	SD0450401SP	54	27	SM4050855SP	70	21
NS6150430SP	42	28	SD0460576TP	48	14	SM4051001SN	54	37
NS6680410SP	30	63	SD0550271TP	56	8	SM4051055SP	2	28
PA200150900	36	84	SD0640322TP	14	62	SM4051255SP	56	12
PA250250900	40	12	SD0650321TP	48	20	SM4051405SE	66	23
PA250250900	42	5	SD0651301TH	48	16	SM4055501SC	2	3
PA400150200	26	16	SD0791271SP	42	22	SM6030602TP	48	22
PF055107000	58	20	SD0800321TH	52	16	SM6030602TP	56	9
PJ025100003	58	19	SD0800341SP	52	17	SM6031202TP	60	20
PJ046052503	36	77	SD0800346TP	36	79	SM6031202TP	62	46
PJ046052503	42	7	SD0800406TP	42	24	SM6040502TP	12	22
PJ046052503	52	14	SD0802126TP	20	24	SM6040602TP	12	21
PJ304040504	40	5	SD0900426TP	36	80	SM6040650TP	10	8
PJ304045102	26	21	SD1021251SP	28	21	SM6040650TP	12	24
PJ304065101	58	21	SK3452501SE	70	2	SM6040650TP	20	59
PX050501000	42	25	SK3482001SE	58	15	SM6040650TP	22	59
RC0150001KP	22	53	SK3482001SE	68	2	SM6040650TP	30	69
RC0150001KP	28	37	SL4040691SC	46	11	SM6040802TP	16	7
RC0560711KP	16	3	SL4040881SC	34	26	SM6040802TP	34	42
RC0560711KP	60	17	SL4041091SC	58	3	SM6040802TP	48	23
RC0650811KP	30	49	SL4041091SC	64	55	SM6040802TP	62	16
RC0740816K0	12	37	SL4041491SC	44	6	SM6040860TP	60	19
RC2400002KP	12	36	SL4051091SC	52	18	SM6041002TP	48	17
RE0320000K0	40	4	SL6051092TN	62	38	SM6041050SN	14	67
RE0400000K0	26	23	SL6052092TN	6	5	SM6041202TP	42	27
RE0400000K0	52	15	SM0030601SC	60	18	SM6041402TP	34	45
RE0500000K0	12	13	SM0050801SC	22	61	SM6041802TP	34	73
RE0500000K0	22	57	SM0051001SC	60	34	SM6041802TP	36	73
RE0500000K0	54	40	SM1040750TP	2	34	SM6041802TP	64	67
RE0600000K0	20	13	SM1051052TN	2	37	SM6050800SP	30	72
RE1200000K0	12	29	SM1061201SN	14	63	SM6050802TP	26	9
RE1200000K0	28	38	SM4021601SN	46	3	SM6050802TP	36	81
RO037180100	54	26	SM4040655SP	2	36	SM6050802TP	52	20
RO092270200	34	55	SM4040855SP	2	26	SM6051000SP	22	60

NUMERICAL INDEX OF PARTS

PART NO	PAGE	REF NO.	PART NO	PAGE	REF NO.	PART NO	PAGE	REF NO.
SM6051202TP	12	6	SM8050812TP	6	28	TA1270502R0	2	18
SM6051202TP	36	58	SM8050812TP	30	56	TA1550902R0	2	39
SM6051202TP	58	22	SM8050842TP	30	55	TA1650406R0	2	7
SM6051400SP	36	57	SM8051002TP	60	33	WP0320501SC	48	28
SM6051402TP	52	21	SM8060552TP	22	66	WP0320501SE	56	10
SM6051402TP	70	30	SM8060552TP	48	27	WP0430800SD	22	84
SM6051602TP	36	59	SM8060612TP	6	31	WP0431005SP	34	90
SM6051602TP	48	24	SM8060612TP	10	18	WP0431005SP	36	90
SM6051802TP	26	8	SM8060612TP	16	16	WP0450000SD	48	29
SM6052002TP	34	30	SM8060612TP	26	7	WP0450801SP	60	22
SM6054502TN	26	20	SM8060612TP	34	72	WP0450801SP	64	85
SM6054502TP	40	10	SM8060612TP	36	72	WP0450846SP	62	20
SM6055002TP	42	10	SM80606A2TP	12	65	WP0460556SD	54	32
SM6056552TP	52	22	SM80606A2TP	14	65	WP0501016SD	54	30
SM6061002TP	40	8	SM80606A2TP	22	65	WP0531001SC	66	22
SM6061002TP	52	12	SM80606A2TP	30	58	WP0550800SP	48	30
SM6061010TP	36	82	SM8060812TP	6	34	WP0550800SP	70	3
SM6061202TP	22	62	SM8060812TP	12	10	WP0612066SP	16	4
SM6061402TP	30	61	SM8060812TP	48	25	WP0621016SD	42	23
SM6061402TP	77	5	SM80608A2TP	6	19	WP0621036SP	36	56
SM6061602TP	26	19	SM80608A2TP	20	99	WP0651001SC	22	73
SM6061602TP	30	52	SM80608A2TP	24	99	WP0740516SP	16	12
SM6061602TP	36	83	SM80608A2TP	30	59	WP0740516SP	28	64
SM6061602TP	40	9	SM8080812TP	6	32	WP0740516SP	30	64
SM6061802TP	12	31	SQ2050452MZ	64	57	WP0820516SP	6	33
SM6061802TP	30	53	SS2060310SP	10	13	WP0820516SP	20	14
SM6061802TP	64	61	SS3090710TP	54	28	WP1252210SC	12	18
SM6062002TP	22	63	SS4090515SP	56	5	WP1612616SE	66	15
SM6062502TP	32	93	SS4110615SP	54	29	WS0451040KP	60	26
SM6081552TP	26	18	SS4110815SP	54	35	WS0510002KN	58	16
SM6082002TP	42	11	SS6111052TP	30	60	WS0510002KN	66	21
SM8040412TP	4	48	SS6121210SP	34	60	WT1780011KP	34	40
SM8040412TP	30	96	SS6121210SP	36	60	WZ1052010KP	26	11
SM8040412TP	32	96	SS7060610SP	48	26			
SM8040612TP	16	8	SS7090910TP	10	5			
SM8050412TP	12	33	SS7110740TP	42	19			
SM8050412TP	34	47	SS8080410TP	10	14			
SM8050412TP	36	47	SS8110422TP	28	39			
SM8050502TP	60	21	SS8111010TP	14	64			
SM8050512TP	32	91	SS8660610TP	28	36			
SM8050512TP	62	39	SS8661012TP	54	38			
SM8050612TP	16	14	TA0500301R0	10	39			
SM8050612TP	20	10	TA0620504R0	10	38			
SM80506A2TP	12	26	TA1030402R0	2	17			
SM80506A2TP	30	57	TA1250406R0	2	19			