

MODEL : MF-7900DR-H24

List No : 1697-01

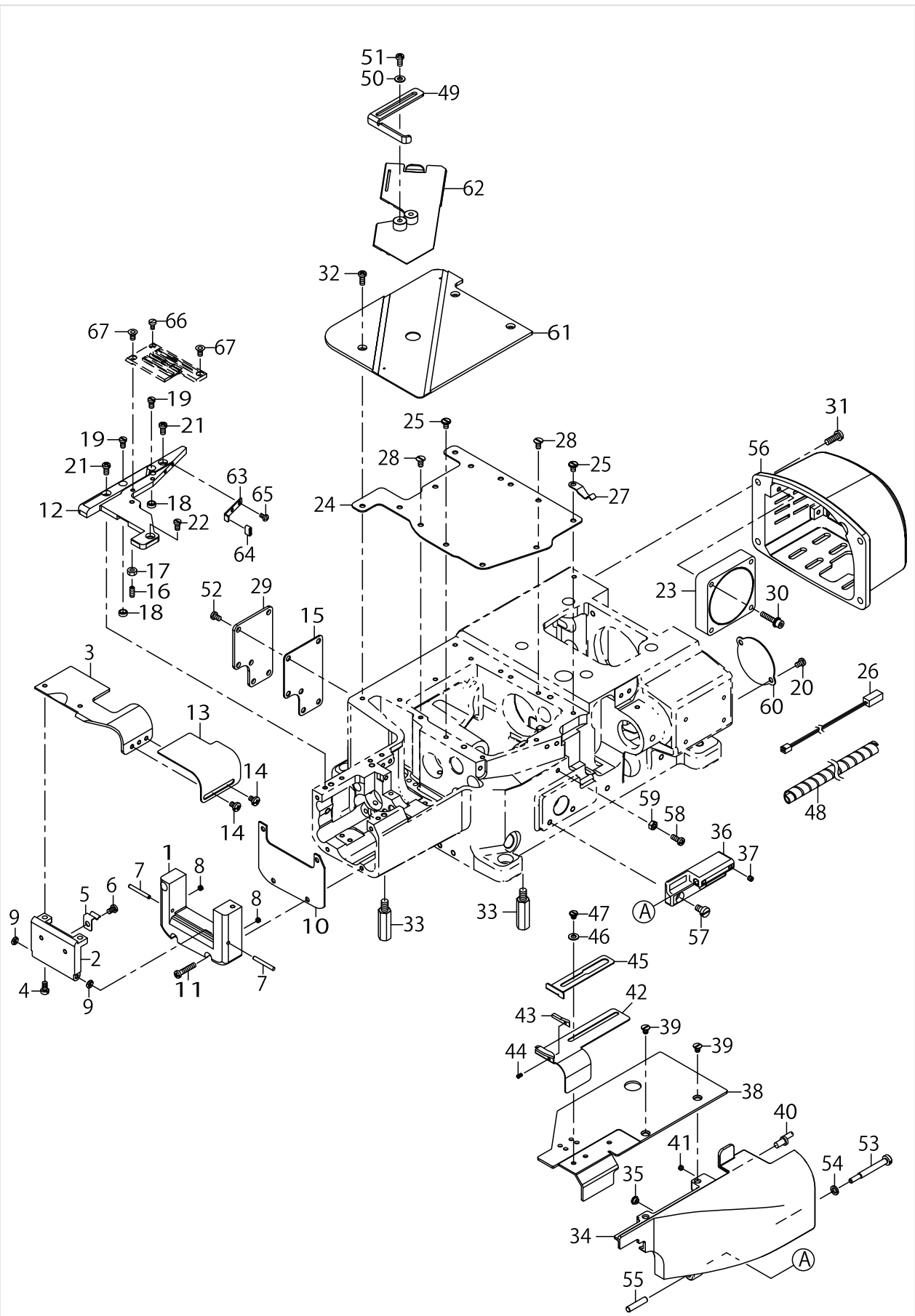
PARTS LIST

Published:05/12/2017

CONTENTS

MISCELLANEOUS COVER COMPONENTS.....	1
UPPER FEED COMPONENTS.....	5
THREAD TAKE-UP LEVER COMPONENTS.....	9
FABRIC TRIMMER LEFT COMPONENTS.....	13
NEEDLE BAR & PRESSER COMPONENTS.....	17
LOWER THREAD COMPONENTS	21
CONTROL BOX COMPONENTS	23
GAUGE COMPONENTS.....	27
LIST FOR INFORMATION OF CHANGE.....	31
HOW TO MAKE USE OF THIS PARTS LIST	32

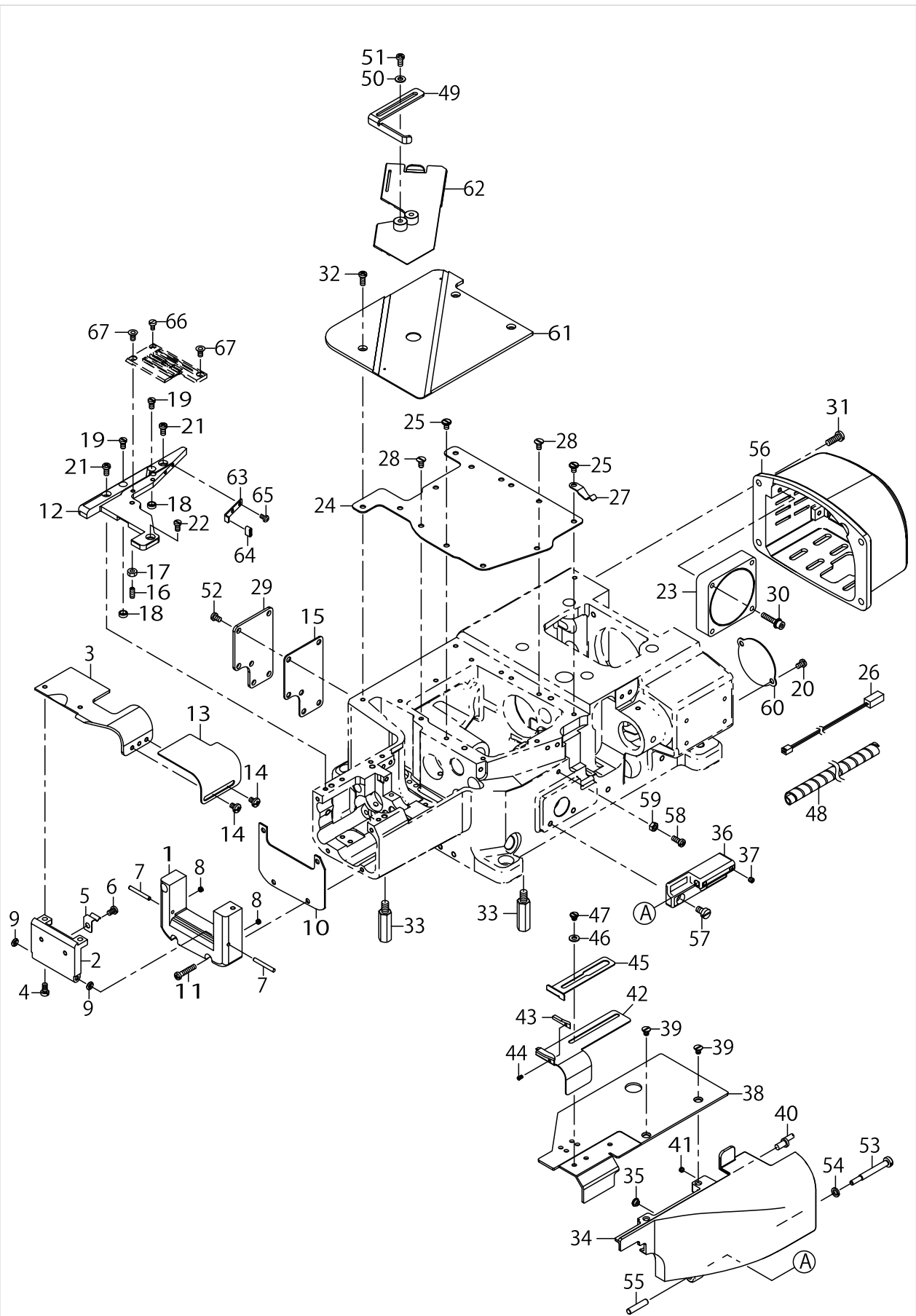
MISCELLANEOUS COVER COMPONENTS



MISCELLANEOUS COVER COMPONENTS

No.	Supply Code	Parts No.	Replacement	Parts name	Remarks	Choice	Step	Level	Cons	Qty	Rep. QTY
1		70001866		CYLINDER_COVER_H22						1	
2		70001655		SIDE_COVER_BOTTOM						1	
3		40155632		SIDE_COVER_UPPER_H24						1	
4		SM6040800SP		SCREW						2	
5		13401906		LATCH SPRING 2						1	
6		SM4040655SP		SCREW M4 L=6						1	
7		PH0300252C0		PARALLEL PIN TYPE B 3X25						2	
8		SM8040360TP		SCREW						2	
9		RO037180100		RUBBER RING						2	
10		70001661		GASKET						1	
11		SM4042055SP		SCREW						3	
12		40178901		THROAT PLATE SUPPORT H22						1	
13		40155633		SIDE_COVER						1	
14		SM5040655SN		SCREW						2	
15		70001643		COVER_FOR_FEED_- ADJUST_PACKING						1	
16		SM8041012TP		SCREW M4 L=10						1	
17		NM6040000SN		NUT M4						1	
18		40082196		ADJUSTING_COLLAR						2	
19		SM60407C0TP		SCREW M4 L=7						2	
20		SM4040655SP		SCREW M4 L=6						2	
21		SM4040855SP		SCREW						2	
22		SM60407C0TP		SCREW M4 L=7						1	
23		40119461		HEAD FAN MOTOR A ASSY						1	
24		70001663		GASKET_B						1	
25		SM6040800SP		SCREW						6	
26		70001457		FAN_CORD_ASSY						1	
27		13402003		LATCH SPRING						1	
28		SM1040860SP		SCREW						4	
29		70001642		COVER_FOR_FEED_ADJUST						1	
30		SL6042092TN		SCREW M4 L=20						2	
31		SM4051455SP		SCREW M5 L=14						4	
32		SM4041055SP		SCREW						3	
33		13301809		SUPPORT STUD						4	
34		40155634		SWING_DOWN_COVER						1	
35		13302302		RUBBER BUMPER						1	
36		70004374		HINGE						1	
37		SM8040412TP		SET SCREW M4 L=4						2	
38		40155636		CLOTH_PLATE_FRONT_H24						1	
39		SM1040800SP		SCREW						2	
40		13402706		PIN FOR COVER						1	
41		SM8040360TP		SCREW						1	
42		40155637		HEM_GUIDE_LEFT						1	
43		40155638		HEM_GUIDE_BLOCK						1	
44		SM6850350TP		FLAT SCREW						1	
45		40155639		HEM_GUIDE_RIGHT						1	
46		WP0430801SC		WASHER M4						1	

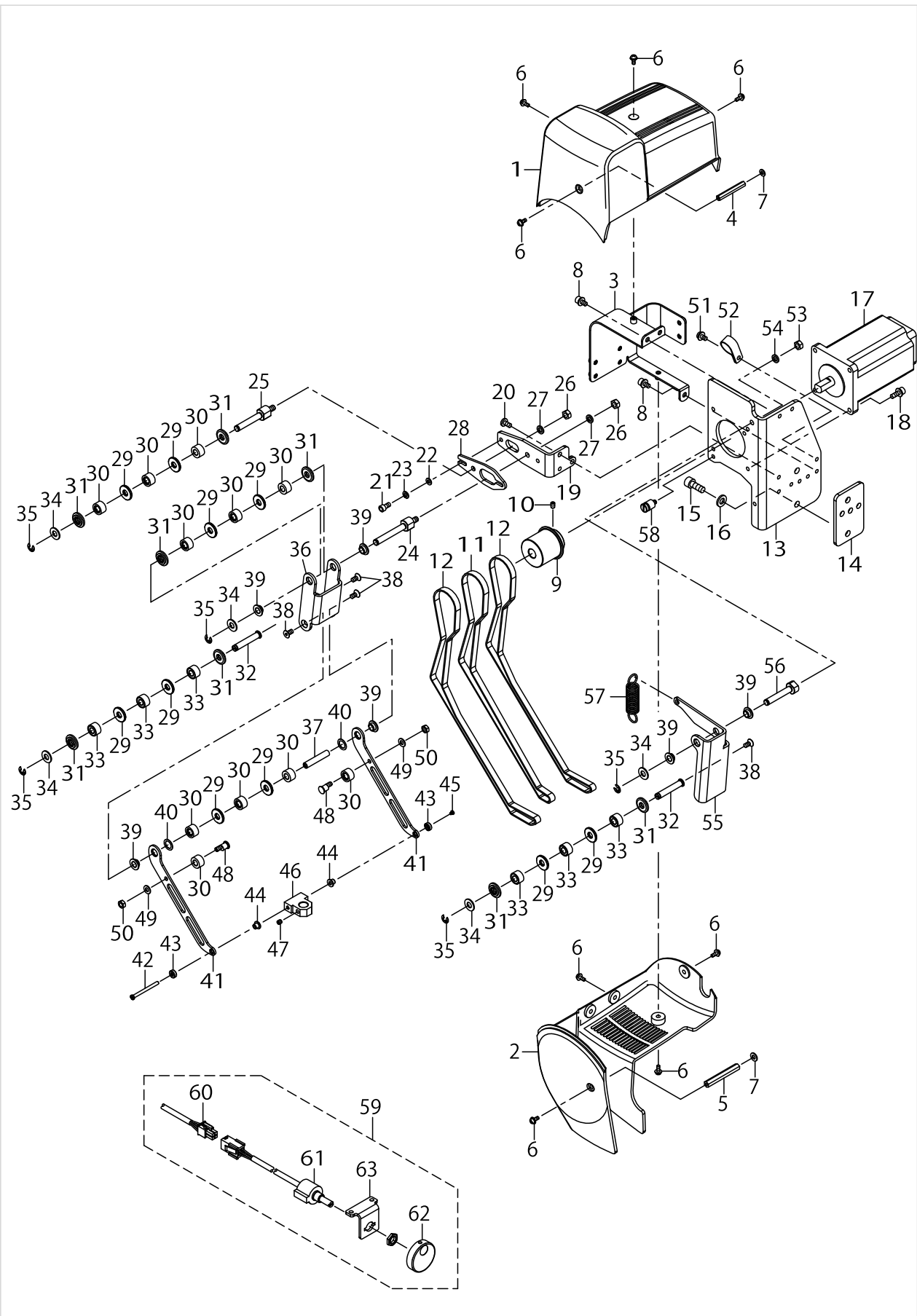
MISCELLANEOUS COVER COMPONENTS



MISCELLANEOUS COVER COMPONENTS

No.	Supply Code	Parts No.	Replacement	Parts name	Remarks	Choice	Step	Level	Cons	Qty	Rep. QTY
47		SM6040450TP		SCREW M4 L=4						2	
48		HX00314000D		SPIRAL TUBE						.7	
49		40040255		HEM_GUIDE						1	
50		WP0430801SC		WASHER M4						2	
51		SM4040855SP		SCREW						2	
52		SM4040855SP		SCREW						6	
53		70001414		SCREW						1	
54		WS0510002KP		SPRING WASHER 5.1X9.2X1.3						1	
55		13409800		DIFF_LINK_PIN						1	
56		70001413		MOTOR_COVER						1	
57		SM6050800SP		SCREW M5 L=8						2	
58		SM4041055SP		SCREW						1	
59		NM6040000SN		NUT M4						1	
60		70004372		LOOPER_THD_COVER						1	
61		70003355		CLOTH_PLATE_ASSY						1	
62		13463351		SLIDE_COVER_ASSY_H20						1	
63		13403407		SLIDE_COVER_SUPPORT						1	
64		23630007		TUBE						.005	
65		SM4030655SP		SCREW						2	
66		SM6030650TP		SCREW						1	
67		40179074		SCREW						2	

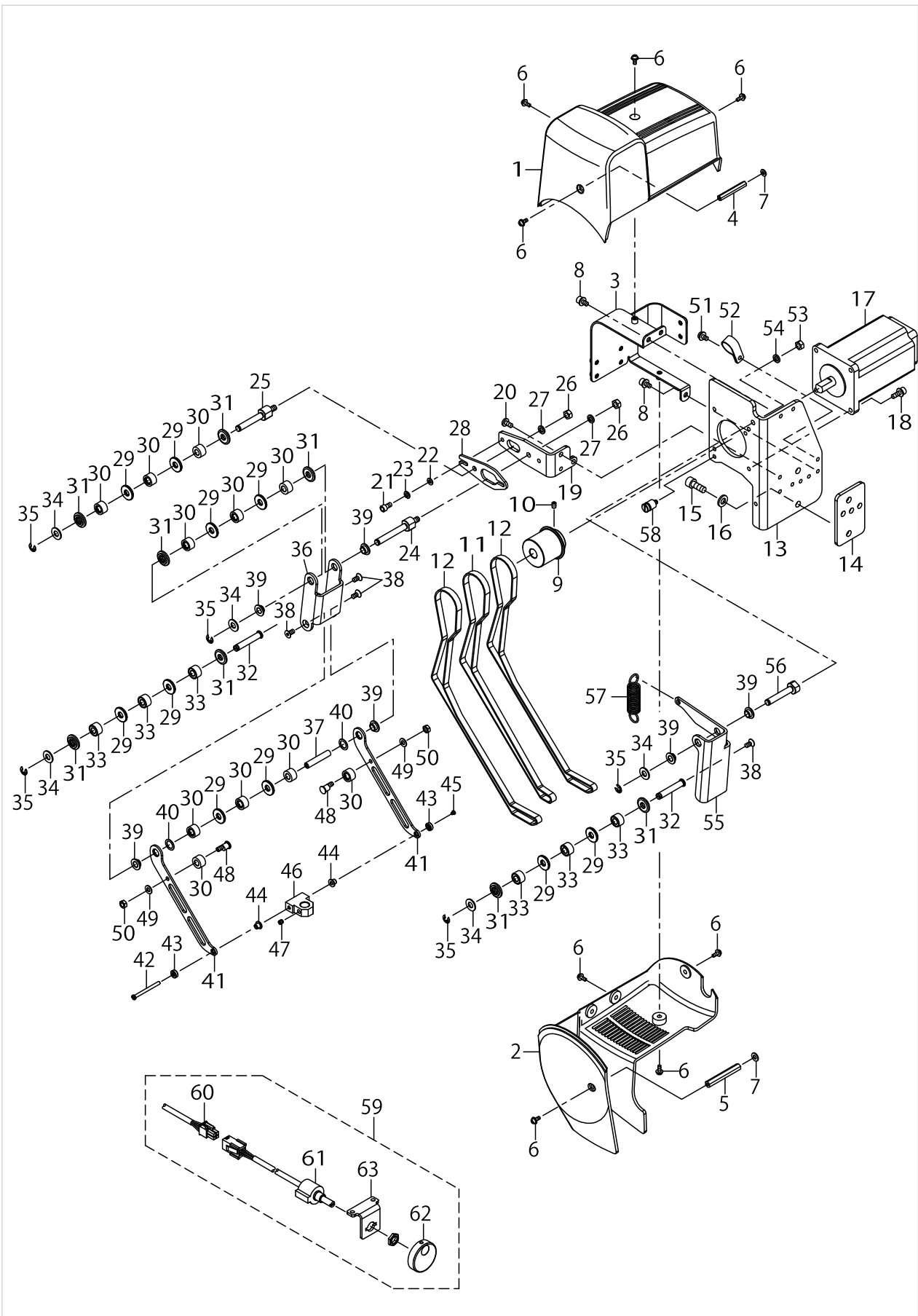
UPPER FEED COMPONENTS



UPPER FEED COMPONENTS

No.	Supply Code	Parts No.	Replacement	Parts name	Remarks	Choice	Step	Level	Cons	Qty	Rep. QTY
1		40179002		COVER_A						1	
2		40179003		COVER_B						1	
3		40179004		COVER_PLATE						1	
4		40179008		COVER_STUD_L						1	
5		40179007		COVER_STUD_S						1	
6		SL4030891SC		SCREW M3 L=8						10	
7		WP0531001SC		WASHER M5						2	
8		SL6040892TN		SCREW M4 L=8						3	
9		40179010		DRIVING_PULLEY_P50_F26						1	
10		SM8040612TP		SCREW M4 L=6						2	
11		40122551		BELT_6.7_606_2GT					☆	1	
12		40179011		TIMING_BELT_646					☆	2	
13		40179012		UPPER_FEED_BASE						1	
14		40179013		SPACER						1	
15		SM6061602TP		SCREW M6 L=16						2	
16		WP0641601SC		WASHER M6						2	
17		HM002300000		STEPPING MOTOR						1	
18		SL6041292TN		SCREW M4 L=12						4	
19		40179014		ROCKER_ARM_BASE						1	
20		SM5040855SN		SCREW						3	
21		SM6040802TP		SCREW M4X0.7 L=8						2	
22		WP0430801SC		WASHER M4						2	
23		WS0410002KN		SPRING WASHER M4						2	
24		40179015		ROCKER_ARM_SHAFT_L						1	
25		40179016		TENSION_PULLEY_SHAFT_L						1	
26		NM6050001SC		NUT M5X0.8 TYPE1						2	
27		WS0510002KN		SPRING WASHER M5						2	
28		40016885		TENSION_ADJUSTING_PLATE_L						1	
29		40179017		SPACER_WASHER_2						10	
30		40179018		IDLER_PULLEY_F7						11	
31		40016893		FLANGE_3						8	
32		40179019		ROCKER_ARM_SHAFT_S						2	
33		40179020		IDLER_PULLEY_P20_F7						6	
34		WP0621016SD		WASHER 6.2X13X1						5	
35		RE0400000KP		E-RING 4						5	
36		40179021		ROCKER_ARM						1	
37		40179022		CONNECTING_LINK_SHAFT_L						1	
38		SM1040852TP		DISH SCREW						4	
39		40016878		CONECTING_LINK_BUSH_L						6	
40		E2613700000		WASHER						2	
41		40179023		CONNECTING_LINK						2	
42		40179024		CONNECTING_LINK_SHAFT_S						1	
43		40016879		CONECTING_LINK_SPACER						2	
44		40016877		CONECTING_LINK_BUSH_S						2	
45		SM6020350SP		SCREW M2 L=2.5						1	
46		40179025		CONNECTING_LINK_BASE						1	

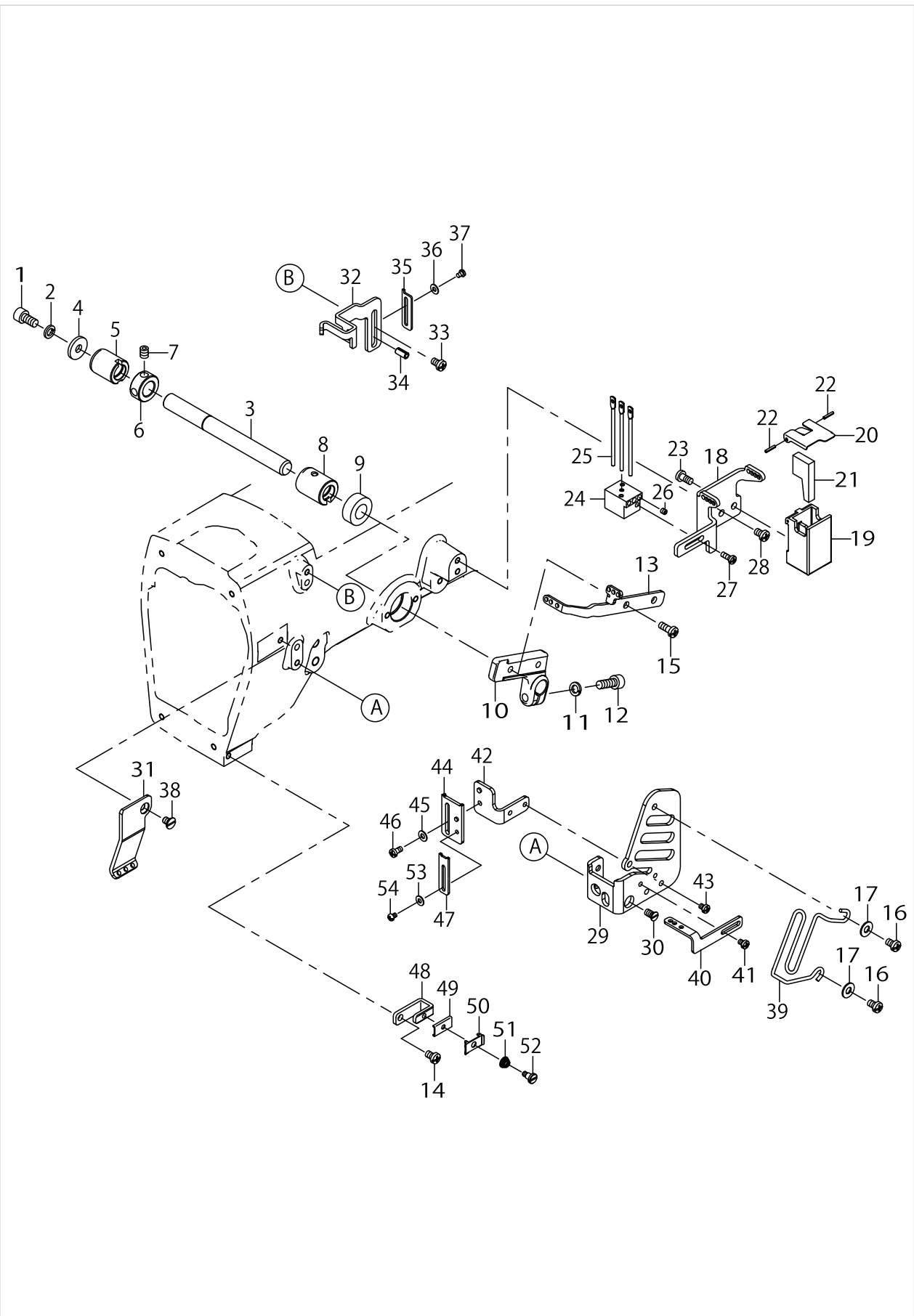
UPPER FEED COMPONENTS



UPPER FEED COMPONENTS

No.	Supply Code	Parts No.	Replacement	Parts name	Remarks	Choice	Step	Level	Cons	Qty	Rep. QTY
47		SM8040412TP		SCREW M4X4						1	
48		40179026		IDLER_SHAFT						2	
49		WP0430801SC		WASHER M4						2	
50		NM6040002SN		NUT M4X0.7 TYPE2						2	
51		SL4040891SC		SCREW M4X8						1	
52		HX00150000H		CABLE CLAMP						1	
53		NM6050001SC		NUT M5X0.8 TYPE1						1	
54		WS0510002KN		SPRING WASHER M5						1	
55		40179028		TENSIONER_ARM						1	
56		40179029		TENSION_PULLEY_SHAFT_U						1	
57		40179030		SPRING_E						1	
58		40179031		SHOULDER_SCREW						1	
59		40181218		JOG_DIAL_ASSY						1	
60		40180936		JOG DIAL RELAY CABLE ASM				*		1	
61		40180937		JOG DIAL CABLE ASM				*		1	
62		40181242		KNOB				*		1	
63		40179086		ENCODER_FITTING_PLATE				*		1	

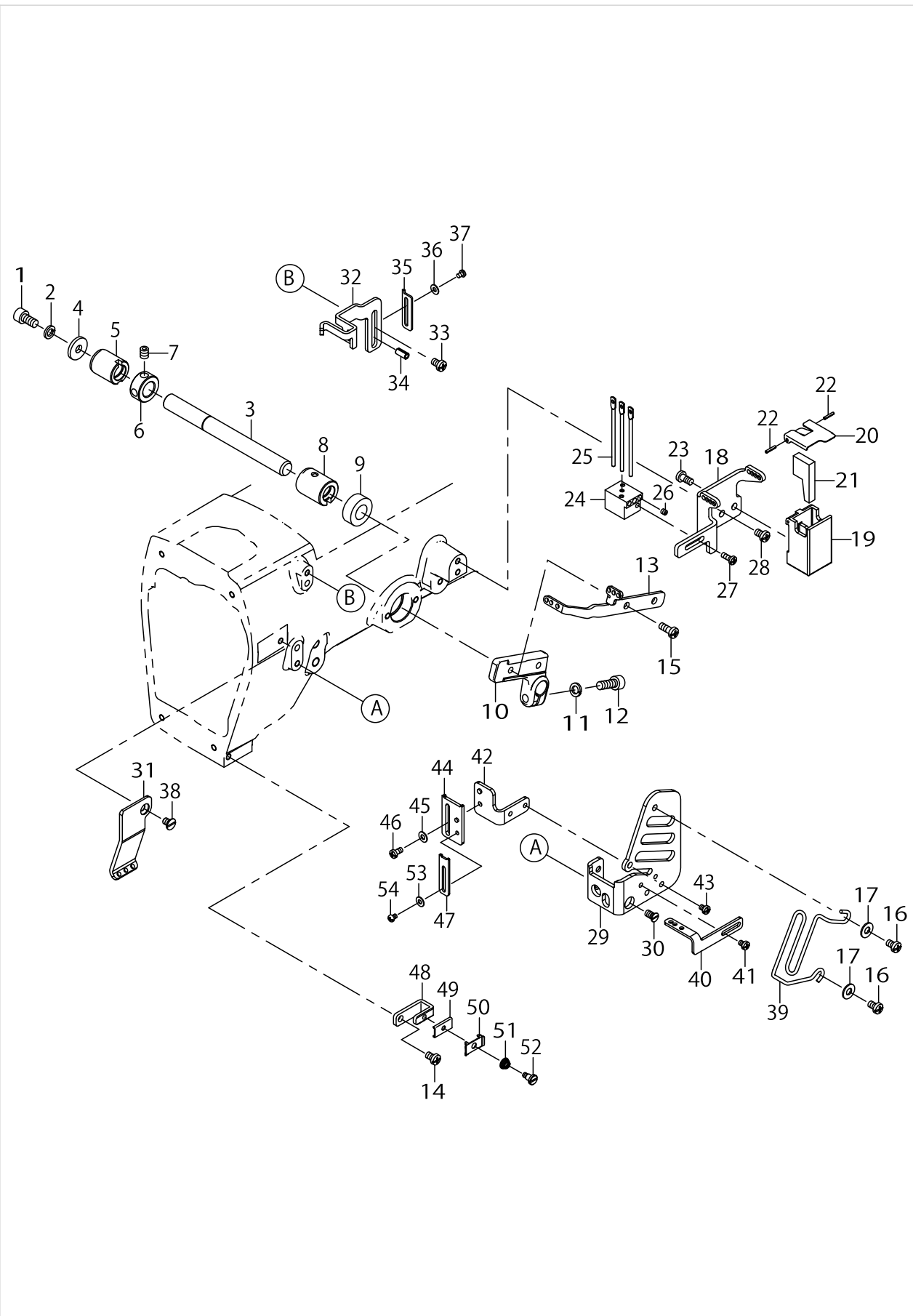
THREAD TAKE-UP LEVER COMPONENTS



THREAD TAKE-UP LEVER COMPONENTS

No.	Supply Code	Parts No.	Replacement	Parts name	Remarks	Choice	Step	Level	Cons	Qty	Rep. QTY
1		SM6051002TP		SCREW M5X0.8 L=10						1	
2		WS0510002KP		SPRING WASHER 5.1X9.2X1.3						1	
3		70001537		SHAFT						1	
4		WP0522016SH		WASHER						1	
5		13324504		BUSHING REAR						1	
6		CS1000881TP		THRUST COLLAR						1	
7		SM8050612TP		SCREW M5X6						2	
8		13324603		BUSHING FRONT						1	
9		23612609		FEED CHANGING SHAFT OIL SEAL						1	
10		13324702		HOLDER TAKE UP EYELET						1	
11		WS0510002KN		SPRING WASHER M5						1	
12		SM6051402TP		SCREW M5X0.8 L=14						1	
13		40154164		NDL_THREAD_TAKE_UP						1	
14		SM4040655SP		SCREW M4 L=6						1	
15		SM4041055SP		SCREW						2	
16		SM40405C5SP		SCREW						2	
17		WP0450801SC		WASHER 4.5X10X0.8						2	
18		70001540		THREAD_TENSION_GUIDE						1	
19		13348008		TANK						1	
20		70001546		SILICONE_OIL_TANK_COVER						1	
21		B9214850000		HEAT REMOVING FELT						1	
22		PS0150082KH		SPRING PIN						2	
23		ST4040851SN		TAPPING SCREW M4X8						2	
24		40154163		HOLDER						1	
25		40074316		NEEDLE_THREAD_EYELET						3	
26		SM8030312TP		SCREW M3 L=3						3	
27		SM4030855SN		SCREW M3 L=8.0						1	
28		SM4040655SP		SCREW M4 L=6						2	
29		40154167		TAKE_UP_COVER						1	
30		SM1040750TP		SCREW M4 L=7						1	
31		40154165		THREAD_GUIDE						1	
32		70001543		NDL_THD_STRIKE_OFF						1	
33		SM4040655SP		SCREW M4 L=6						1	
34		PS0400082KP		SPRING PIN						1	
35		13326905		NDL THD STRIKE OFF R						1	
36		WP0280501SC		WASHER M2.6						1	
37		SM48504C5SP		SCREW						1	
38		SM1040650TP		SCREW						1	
39		40154166		FINGER_GUARD						1	
40		13327101		THREAD_GUIDE						1	
41		SM4030655SP		SCREW						2	
42		40154168		THREAD_GUIDE_BASE						1	
43		SM4030655SP		SCREW						2	
44		13325600		THD STRIKE OFF PLATE						1	
45		WP0320501SC		WASHER M3						1	
46		SM4030655SP		SCREW						1	

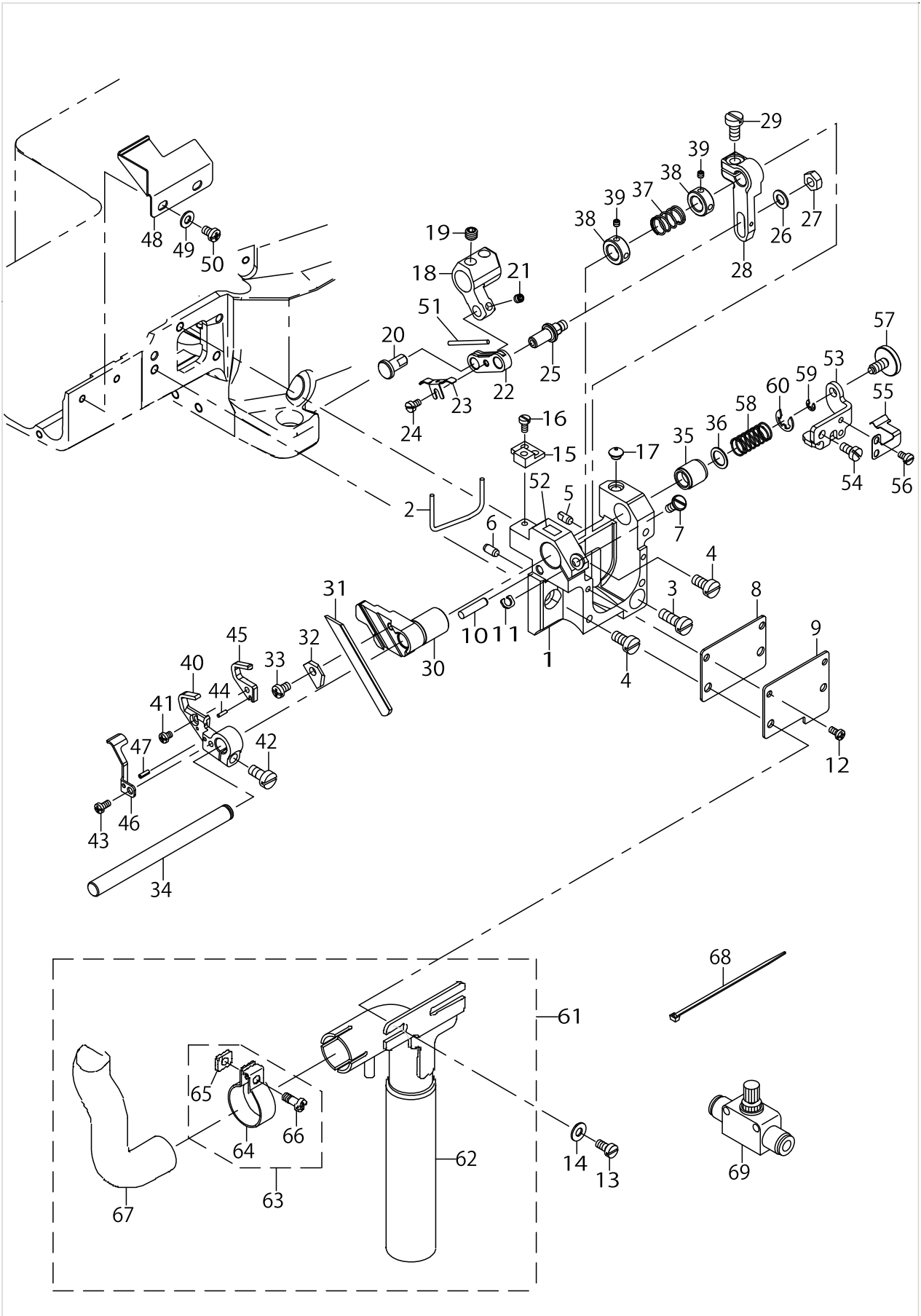
THREAD TAKE-UP LEVER COMPONENTS



THREAD TAKE-UP LEVER COMPONENTS

No.	Supply Code	Parts No.	Replacement	Parts name	Remarks	Choice	Step	Level	Cons	Qty	Rep. QTY
47		13327002		THD STRIKE OFF PLATE R						1	
48		13325808		NIPPER PLATE SUPPORT						1	
49		13325907		NIPPER PLATE						1	
50		13326004		NIPPER GUIDE PLATE						1	
51		13326103		SPRING						1	
52		13326202		SHOULDER SCREW						1	
53		WP0280501SC		WASHER M2.6						1	
54		SM4850455SP		SCREW						1	

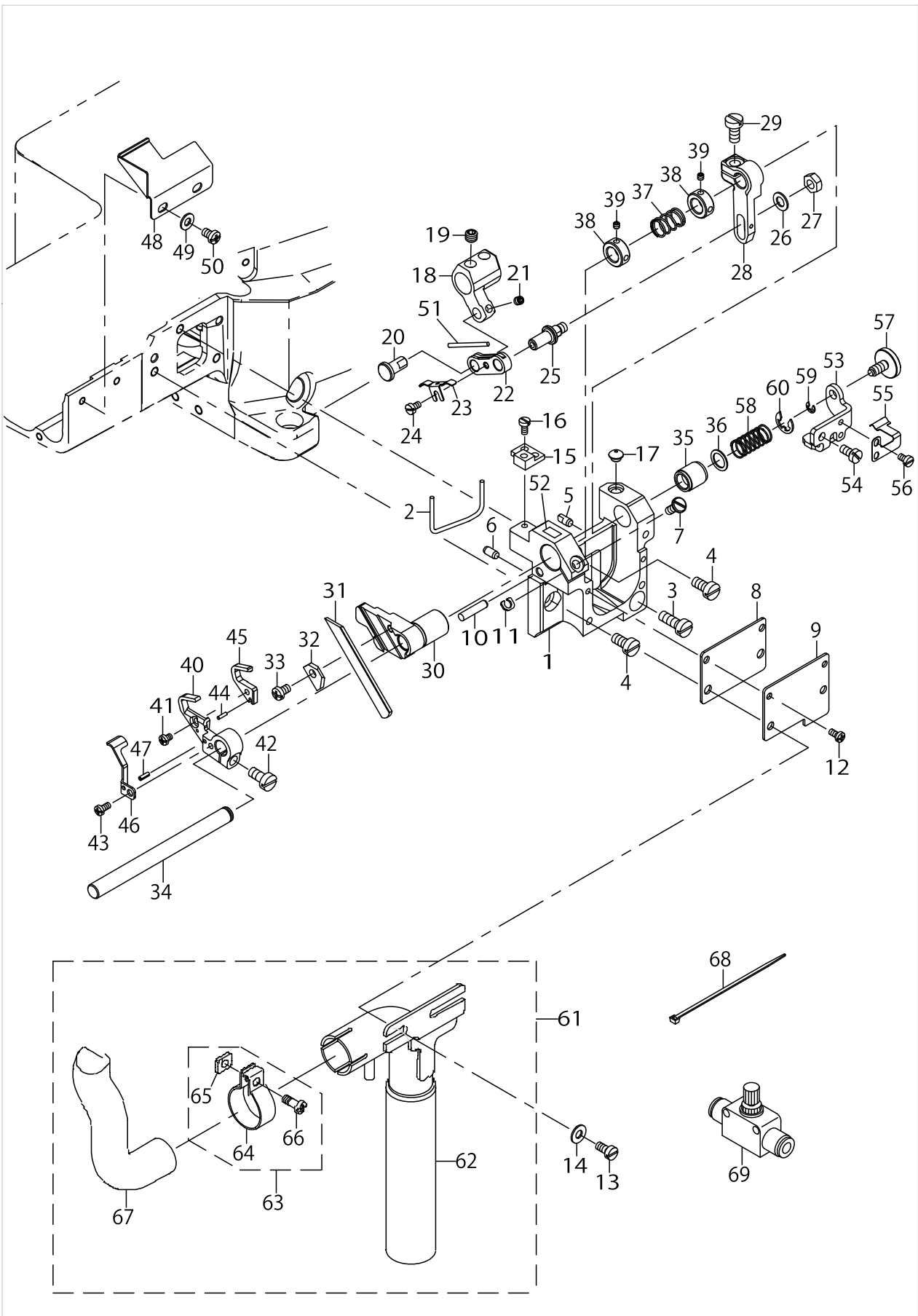
FABRIC TRIMMER LEFT COMPONENTS



FABRIC TRIMMER LEFT COMPONENTS

No.	Supply Code	Parts No.	Replacement	Parts name	Remarks	Choice	Step	Level	Cons	Qty	Rep. QTY
1		40155641		SUPPORT_BLOCK						1	
2		RO437200200		RUBBER RING						1	
3		SM6051400SP		SCREW						1	
4		SM6051000SP		SCREW						2	
5		13301908		DOWEL PIN						1	
6		13302500		DOWEL PIN 2						1	
7		SM6041050TP		SCREW						1	
8		40155643		S_B_COVER_GASKET						1	
9		40155644		SUPPORT_BLOCK_COVER						1	
10		PH0400185S0		PARALLEL PIN TYPE A 4X18						1	
11		13423801		WASHER						1	
12		SM4030655SP		SCREW						2	
13		SM6040800SP		SCREW						2	
14		WP0450801SC		WASHER 4.5X10X0.8						2	
15		40155645		TP_ADJUST_PLATE						1	
16		SM6030600SP		SCREW M3X0.5 L=6						2	
17		13302302		RUBBER BUMPER						1	
18		13461306		DRIVE_LEVER						1	
19		SM8060552TP		SCREW M6 L=5						2	
20		13461504		LINK_PIN						1	
21		SM8040412TP		SET SCREW M4 L=4						1	
22		70001856		LINK						1	
23		70001857		OIL_WICK_PLATE						1	
24		SM6030500SN		SCREW M3 L=5						1	
25		40155646		ADJUST_PIN						1	
26		WP0550800SP		WASHER 5.5X10X0.8						1	
27		NM6050001SP		NUT M5						1	
28		40155647		ADJUST_LEVER						1	
29		SM6051000SP		SCREW						1	
30		40155648		LOWER_KNIFE HOLDER_ASSY						1	
31		40155651		LOWER_KNIFE					☆	1	
32		40042319		LOWER_KNIFE_PRESSER_PLATE						1	
33		SM4040655SP		SCREW M4 L=6						1	
34		40155652		SHAFT						1	
35		40159404		BUSHING_RIGHT						1	
36		WP0820516SP		WASHER 11.6X8.2X0.6						1	
37		40040306		UPPER_KNIFE_SPRING						1	
38		40155655		THRUST COLLAR D=8 W=8						2	
39		SM8030312TP		SCREW M3 L=3						4	
40	R	70004844	40181704	UPPER_KNIFE HOLDER						1	1.00
41		SM4030455SP		SCREW						1	
42		SM6051000SP		SCREW						1	
43		SM4030655SP		SCREW						1	
44		PH0150065C0		PARALLEL PIN TYPE A 1.5X6						1	
45		70001861		UPPER_KNIFE					☆	1	
46		70004845		FABRIC_TRIMMER_GUIDE						1	

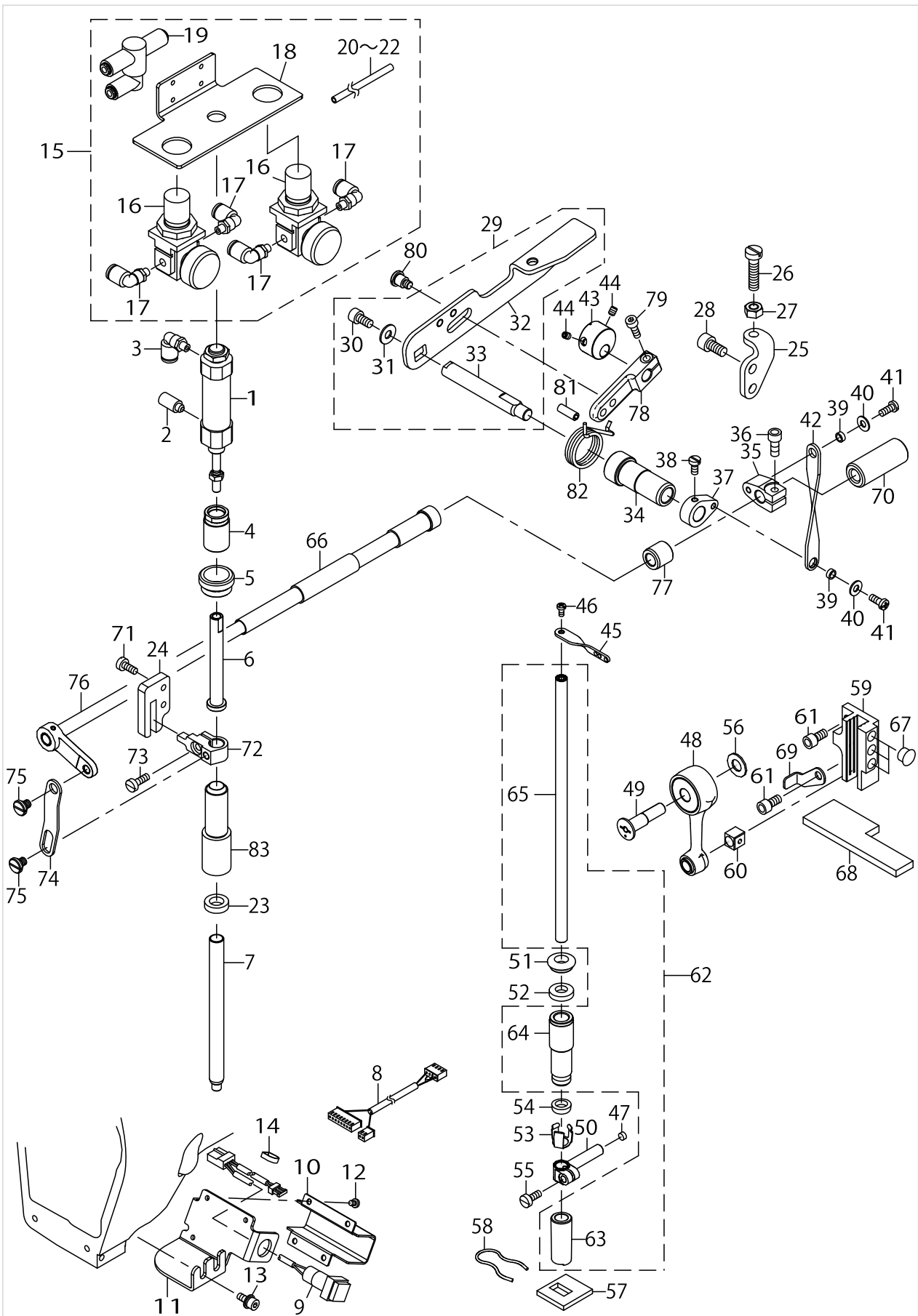
FABRIC TRIMMER LEFT COMPONENTS



FABRIC TRIMMER LEFT COMPONENTS

No.	Supply Code	Parts No.	Replacement	Parts name	Remarks	Choice	Step	Level	Cons	Qty	Rep. QTY
47		PS0200062KH		SPRING PIN 2X6						1	
48		70001869		FEED_COVER						1	
49		WP0430801SC		WASHER M4						2	
50		SM4040655SP		SCREW M4 L=6						2	
51		CQ303000000		OIL WICK						.2	
52		70004494		RUBBER_PLATE						1	
53		40155656		ADJ_GUIDE_PLATE						1	
54		SM6040800SP		SCREW						1	
55		40155657		ADJUST_SPRING						1	
56		SM6030500SN		SCREW M3 L=5						2	
57		40155658		ADJUST_SCREW						1	
58		40155659		SPRING						1	
59		RE0250000K0		E-RING 2.5						1	
60		RE0600000K0		E-RING 6						1	
61		40155621		SUCTION_PIPE_SET_TOP	ACCESSO- RIES PARTS					1	
62		40155622		SUCTION_PIPE_ASSY_TOP				*		1	
63		40043839		SUCTION_PIPE_JOINT_ASSY				*		1	
64		40043800		SUCTION_PIPE_JOINT				*		1	
65		40043815		SUCTION_PIPE_NUT				*		1	
66		SM4041055SP		SCREW				*		1	
67		40042374		SUCTION_PIPE_1				*		1	
68		EA9500B0100		CABLE BAND	ACCESSO- RIES PARTS					1	
69		PC012601000		SPEED CONTROLLER						1	

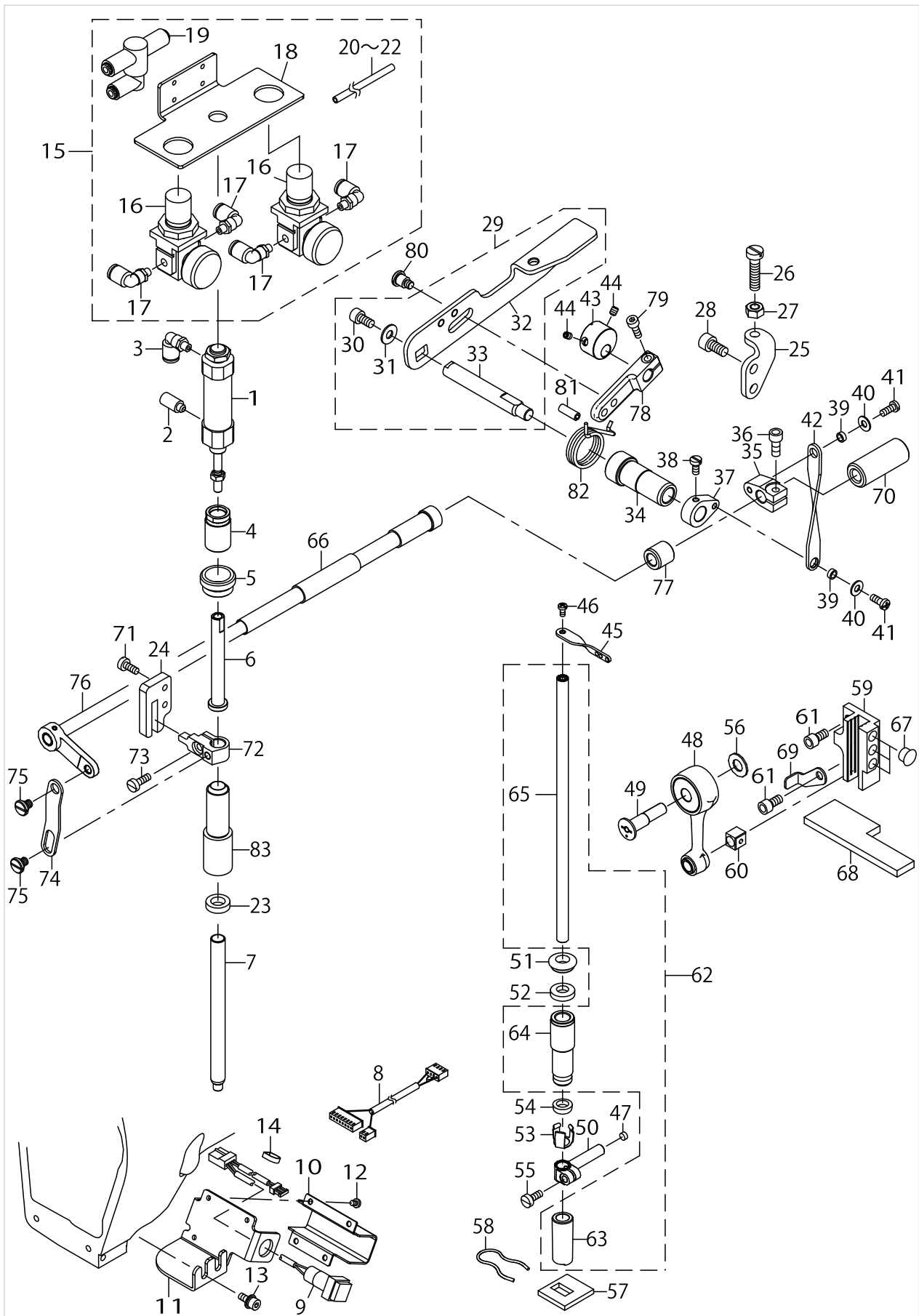
NEEDLE BAR & PRESSER COMPONENTS



NEEDLE BAR & PRESSER COMPONENTS

No.	Supply Code	Parts No.	Replacement	Parts name	Remarks	Choice	Step	Level	Cons	Qty	Rep. QTY
1		40179082		AIR CYLINDER						1	
2		PX050501000		SILENCER						1	
3		PJ304040504		UNION						1	
4		40179083		ADJ_SCREW_PRESSER_BAR						1	
5		40179084		LOCKING_NUT						1	
6		40179085		PRESSER_BAR						1	
7		40070559		PRESSER_BAR						1	
8		40180938		PRESSER CHANGE SOLENOID VALVE CABLE ASM						1	
9		40180939		PUSH SWITCH CABLE ASM						1	
10		40179089		SWITCH_COVER						1	
11		40179088		SWITCH_BASE_PLATE						1	
12		SM4030401SC		SCREW M3X0.5 L=4						4	
13		SL6041092TN		SCREW M4 L=10						2	
14		HX00233000D		NYLON BAND						1	
15		40181219		AIR REGULATOR_ASSY	ACCESSO- RY PARTS					1	
16		PF0205010C0		AIR REGULATOR				*		2	
17		PJ304040504		UNION				*		4	
18		40179081		VALVE_FITTING_PLATE				*		1	
19		PV200202000		SHUTTLE VALVE				*		1	
20		BT0400251EB		URETHANE TUBE BLACK 4X2.5				*		0.12	
21		BT0400251EB		URETHANE TUBE BLACK 4X2.5				*		0.12	
22		BT0400251EB		URETHANE TUBE BLACK 4X2.5				*		0.12	
23		13315908		OIL SEAL						1	
24		13313804		GUIDE PLATE						1	
25		70001495		LIFTER_LEVER_STOPPER						1	
26		SM60625C0TP		SCREW M6 L=25						1	
27		NM6060001CP		NUT M6						1	
28		SM6061202TP		SCREW M6 L=12						2	
29		70001487		LIFTER_LEVER_ASSY						1	
30		SM6051002TP		SCREW M5X0.8 L=10				*		1	
31		WP0551016SH		WASHER 5.5X13X1				*		1	
32		70001488		LIFTER_LEVER				*		1	
33		70001489		LIFTER_LEVER_SHAFT				*		1	
34		70001490		BUSHING_LIFTER_LEVER						1	
35		70001478		LIFTER_SHAFT_LEVER						1	
36		SM6051202TP		SCREW M5X0.8 L=12						1	
37		70001477		LIFTER_LEVER_COLLAR						1	
38		SM6040800SP		SCREW						1	
39		70001491		SPACER						2	
40		WP0450826SC		WASHER 4.5X10X0.8						2	
41		SM4041055SP		SCREW						2	
42		70001492		LIFTER_LEVER_LINK						1	
43		70001493		MINUTES_LIFTING_COLLAR						1	
44		SM8040512TP		SCREW						2	
45		13326806		NEEDLE BAR EYELET						1	

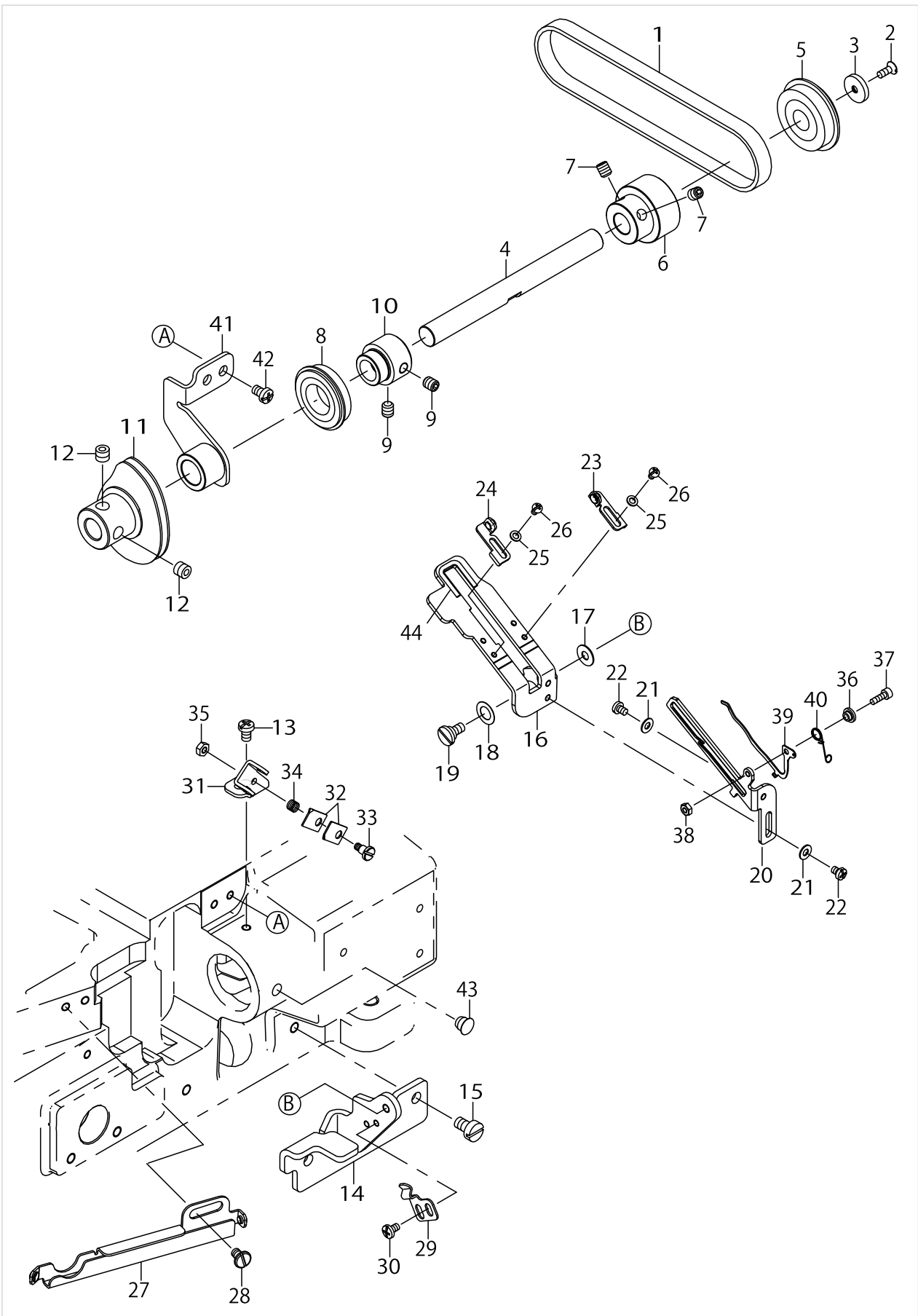
NEEDLE BAR & PRESSER COMPONENTS



NEEDLE BAR & PRESSER COMPONENTS

No.	Supply Code	Parts No.	Replacement	Parts name	Remarks	Choice	Step	Level	Cons	Qty	Rep. QTY
46		SM4030855SN		SCREW M3 L=8.0						1	
47		40078293		PLUG						1	
48		70001465		ASSY_NEEDLE_CRANK_ROD						1	
49		70001462		ECCENTRIC_PIN_DRY						1	
50		40078292		NEEDLE_BAR_CLAMP						1	
51		40078305		BUSHING_NB_U_PRESSER_A						1	
52		40078302		BUSHING_NB_U_FELT_A						1	
53		40078306		BUSHING_NB_U_PRESSER_B						1	
54		40078303		BUSHING_NB_U_FELT_B						1	
55		SM6041000SP		SCREW M4 L=10						1	
56		40078291		WASHER						1	
57		40078301		BUSHING_NB_L_FELT						1	
58		40078304		BUSHING_NB_L_PRESSER						1	
59		70001463		NEEDLE_BAR_GUIDE						1	
60		40078295		SLIDE_BLOCK						1	
61		SM6051202TP		SCREW M5X0.8 L=12						3	
62		40078317		ASSY_BUSHING_NB_DRY						1	
63		40078299		BUSHING_NB_LOWER				*		1	
64		40078300		BUSHING_NB_UPPER				*		1	
65	R	40078296	40078317	NEEDLE BAR ASSY				*		1	1.00
66		40078320		PIPE_ASSY						1	
67		TA0750404R0		PLUG D=7.5 L=3.5						4	
68		40087083		FELT						1	
69		40087101		FELT PRESSER						1	
70		70001500		BUSHING_LIFTER_REAR						1	
71		SM6041000SP		SCREW M4 L=10						2	
72		70001485		PRESSER_BAR_BRACKET						1	
73		SM6041200SP		SCREW M4 L=12						1	
74		13314109		LINK						1	
75		SD070020CTP		SHOULDER SCREW D=7 H=2						2	
76		40078307		ASSY_LIFTER_SHAFT_DRY						1	
77		70001486		BUSHING_LIFTER_FRONT						1	
78		70001494		TENSION_RELEASE_LEVER						1	
79		SM6041202TP		SCREW M4X0.7 L=12						1	
80		SD0700586TP		SHOULDER SCREW						1	
81		PS0500142KP		SPRING PIN						1	
82		70001498		SPRING_LIFTER_LEVER						1	
83		40156616		BUSHING_PRESSER_BAR						1	

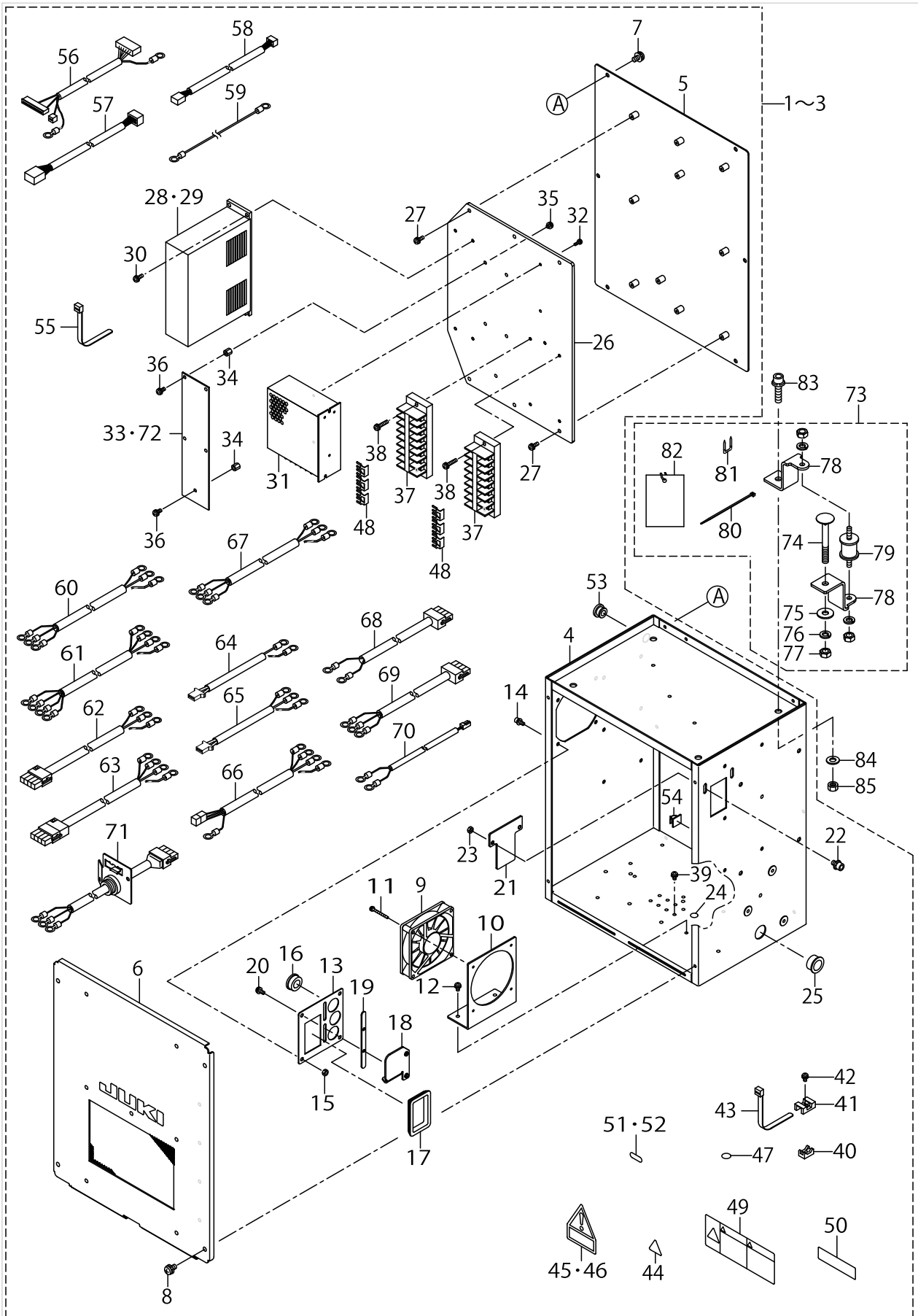
LOWER THREAD COMPONENTS



LOWER THREAD COMPONENTS

No.	Supply Code	Parts No.	Replacement	Parts name	Remarks	Choice	Step	Level	Cons	Qty	Rep. QTY
1		70001988		BELT_TAKE_UP						1	
2		SM1030800SM		SCREW M3X0.5 L=8						1	
3		13332606		WASHER TAKE UP						1	
4		70001729		SHAFT_TAKE_UP						1	
5		70004199		BEARING						1	
6		13331301		SPROCKET TAKE UP						1	
7		SM8050612TP		SCREW M5X6						2	
8		70004194		BEARING						1	
9		SM8050612TP		SCREW M5X6						2	
10		70001754		COUPLING						1	
11		40154169		ASSY_TAKE_UP						1	
12		SM8060552TP		SCREW M6 L=5						2	
13		SM4040655SP		SCREW M4 L=6						1	
14		70001734		TAKE_UP_PLATE_BASE						1	
15		SM6050800SP		SCREW M5 L=8						2	
16		70001735		TAKE_UP_PLATE						1	
17		WP0410516SD		PLAIN WASHER						1	
18		WZ0641510KP		WAVED WASHER 6.4X11X0.3						1	
19		SD064024CSP		SHOULDER SCREW D=6.35 H=2.4						1	
20		40155640		THREAD_GUIDE						1	
21		WP0320501SC		WASHER M3						3	
22		SM4030455SP		SCREW						3	
23		40100773		EYELET L ASSY						1	
24		40100771		EYELET R ASSY						1	
25		WP0280500SC		WASHER						2	
26		SM48504C5SP		SCREW						2	
27		70001738		ASSY_THREAD_GUIDE						1	
28		SM6040650TP		SCREW						2	
29		70001745		SPRING						1	
30		SM5030555SN		SCREW M3 L=5						2	
31		70004375		NIPPER_PLATE						1	
32		40100769		NIPPER SPRING PLATE						2	
33		13326202		SHOULDER SCREW						1	
34		13402805		SPRING						1	
35		NM6030001SC		NUT M3X0.5 TYPE1						1	
36		70001584		SPRING COLLAR						1	
37		SM6850802TN		SCREW M2.5 L=8						1	
38		NM6850001SC		NUT M2.5X0.45 TYPE1						1	
39		70004733		THREAD_GUIDE_PLATE						1	
40		70001753		THREAD_GUIDE_PLATE_SPRING						1	
41		70001758		SHAFT_TAKE_UP_COVER_ASSY						1	
42		SM4040655SP		SCREW M4 L=6						2	
43		TA0620504R0		CAP						1	
44		40087068		CAM THREAD CATCH						1	

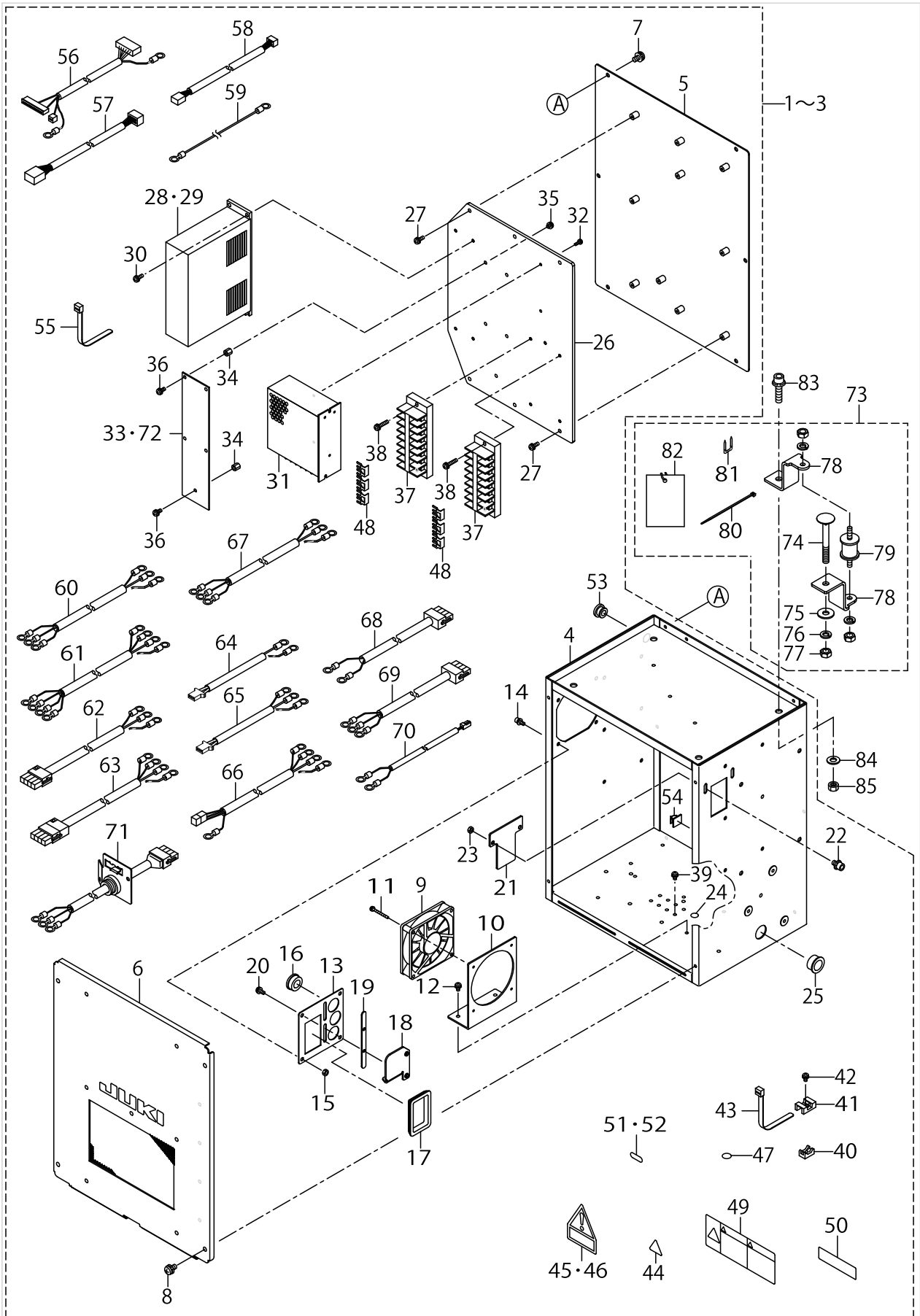
CONTROL BOX COMPONENTS



CONTROL BOX COMPONENTS

No.	Supply Code	Parts No.	Replacement	Parts name	Remarks	Choice	Step	Level	Cons	Qty	Rep. QTY
1		40181284		MC-450 BOX A	FOR 1-PH-ASE 220~240V					1	
2		40181285		MC-450 BOX B						1	
3		40181286		MC-450 BOX C						1	
4		40055355		CONTROL BOX				*		1	
5		40094018		CONTROL BOX FRONT COVER				*		1	
6		40094019		CONTROL BOX REAR COVER				*		1	
7		SL4040891SC		SCREW M4X8				*		6	
8		SL4040891SC		SCREW M4X8				*		4	
9		40005401		FAN MOTOR ASSY				*		1	
10		40005404		FAN MOTOR BRACKET				*		1	
11		SL4033091SC		SCREW M3 L=30				*		4	
12		SL4040891SC		SCREW M4X8				*		2	
13		40181161		BOX_ADDITION_PLATE				*		1	
14		SL6041092TN		SCREW M4 L=10				*		4	
15		NM6040001SD		NUT M4X0.7 TYPE1				*		4	
16		HX00188000D		GROMMET				*		3	
17		HX004070000		GROMMET				*		1	
18		40181162		CORD_FITTING_PLATE				*		1	
19		40181163		CORD_FITTING_PLATE_SPACER				*		1	
20		SL4041091SC		SCREW M4 L=10				*		2	
21		40181164		BOX_CLOSE_PLATE				*		1	
22		SL6041092TN		SCREW M4 L=10				*		2	
23		NM6040001SD		NUT M4X0.7 TYPE1				*		2	
24		E9567319000		EARTH MARK				*		1	
25		HX00326000K		GROMMET				*		1	
26		40181165		MOTOR_DRIVER_HOLDING_PLATE				*		1	
27		SL4041291SC		SCREW M4 L=12				*		6	
28		HM002300010		MOTOR DRIVER				*		1	
29		40180949		MOTOR DRIVER				*		1	
30		SL4041281SC		SCREW M4 L=12				*		4	
31		HX007210000		POWER SUPPLY				*		1	
32		SL4031091SC		SCREW M3 L=10				*		2	
33		40103079		FLT-CE PCB ASSY	FOR 1-PH-ASE 220~240V			*		1	
34		40088311		STUD				*		5	
35		SL4040681SC		SCREW M4 L=6				*		5	
36		SL4041081SC		SCREW M4 L=10				*		5	
37		HK057950080		BLOCK TERMINAL				*		2	
38		SL4042081SC		SCREW M4 L=20				*		4	
39		SL4040891SC		SCREW M4X8				*		6	
40		HX002940000		FIXED BASE				*		1	
41		KX000000210		SADDLE TYPE TIE MOUNT				*		1	
42		SL4040881SC		SCREW M4 L=8				*		2	
43		EA9500B0100		CABLE BAND				*		4	
44		CM300100003		VOLTAGE WARNING LABEL (25)	FOR 1-PH-ASE 220~240V			*		1	
45		CM300400601		VOLTAGE CAUTION LABEL L=63	FOR 1-PH-ASE 220~240V			*		1	

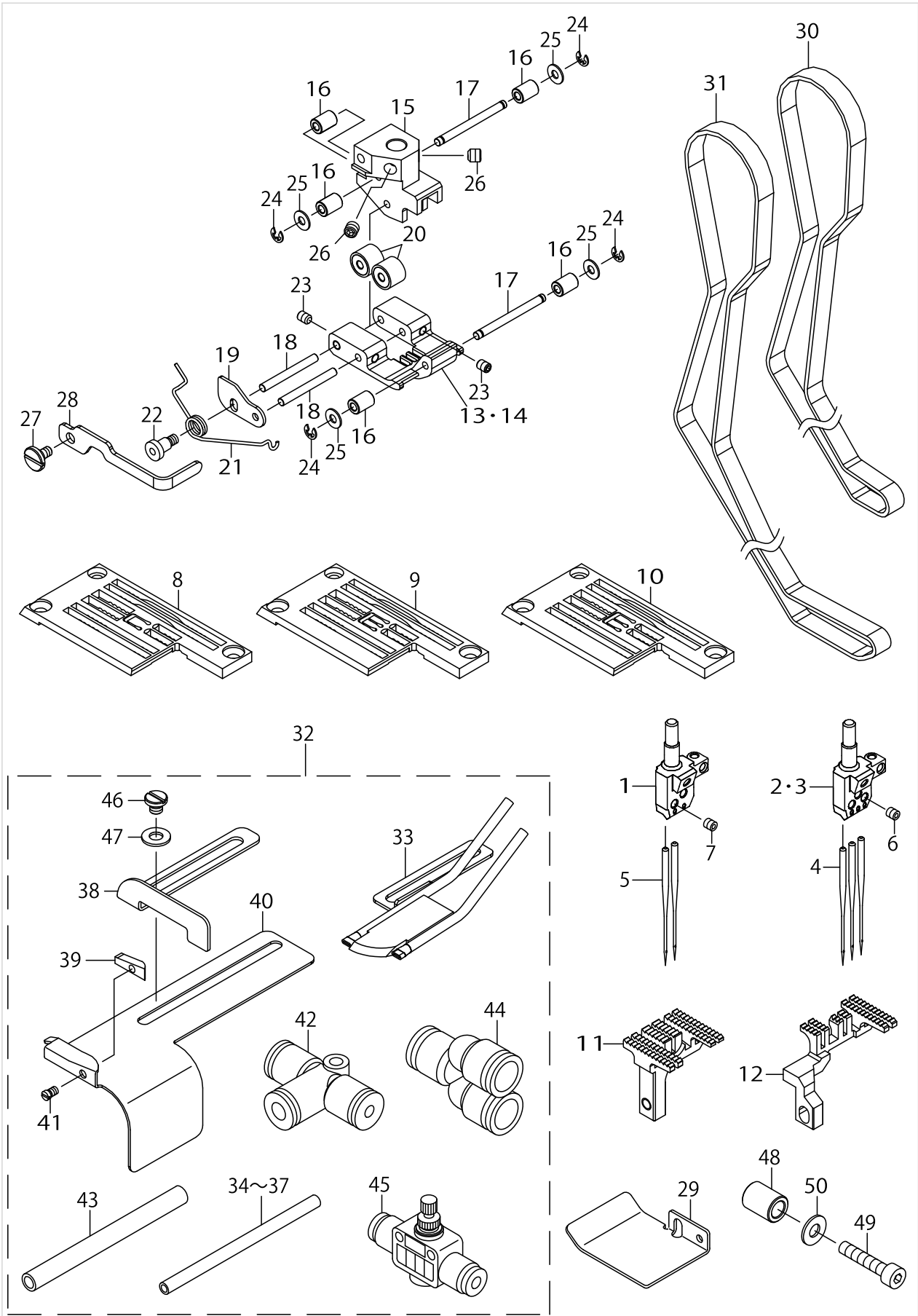
CONTROL BOX COMPONENTS



CONTROL BOX COMPONENTS

No.	Supply Code	Parts No.	Replacement	Parts name	Remarks	Choice	Step	Level	Cons	Qty	Rep. QTY
46		CM300400701		VOLTAGE CAUTION LABEL				*		1	
47		40003458		MASK SEAL				*		22	
48		HK057990060		BLOCK TERMINAL				*		2	
49		CM300100401		VOLTAGE DANGER LABEL 3 (LARGE)				*		1	
50		40051640		ELECTRICAL_RATING_LABEL_UNIVERSAL				*		1	
51		BME03200000		VOLTAGE INDICATION SEAL 200V				*		1	
52		BME01100000		VOLTAGE INDICATION SEAL 100V				*		1	
53		TA1250705R0		RUBBER PLUG				*		1	
54		E9607603000		STICKER				*		1	
55		KX000000230		RELEASIBLE CABLE TIE				*		1	
56		40180931		MOTOR CONTROL CABLE ASM				*		1	
57		40180932		ENCODER CABLE ASM				*		1	
58		40180935		MOTOR CABLE ASM				*		1	
59		40180942		DRIVER FG CABLE ASM				*		1	
60		40180923		TB POWER CABLE ASM				*		1	
61		40180943		TB POWER-T CABLE ASM				*		1	
62		40180924		SEWING MACHINE POWER CABLE ASM	FOR 1-PH-ASE 220~240V			*		1	
63		40180944		SEWING MACHINE POWER-T CABLE ASM				*		1	
64		40180927		FLT OUTPUT CABLE ASM	FOR 1-PH-ASE 220~240V			*		1	
65		40180946		FLT-T OUTPUT CABLE ASM				*		1	
66		40180929		MOTOR DRIVER POWER CABLE ASM				*		1	
67		40180928		DC24V POWER CABLE ASM				*		1	
68		40180925		FLT INPUT CABLE ASM	FOR 1-PH-ASE 220~240V			*		1	
69		40180945		FLT-T INPUT CABLE ASM				*		1	
70		40180940		FAN MOTOR CABLE ASM				*		1	
71		40180948		POWER SUPPLY PLATE ASSY LA				*		1	
72		40087139		FLT-T PCB ASSY				*		1	
73		40181287		OPTION A ASSY				*		1	
74		MTSHJ100003		MOTOR FITTING BOLT L=70				*		4	
75		WP0852086SC		WASHER M8				*		4	
76		WS0820002KR		SPRING WASHER				*		4	
77		NM6080002SC		NUT M8X1.25 TYPE2				*		4	
78		40074444		CONTROL_BOX_BRACKET				*		8	
79		40180954		RUBBER				*		4	
80		EA9500B0100		CABLE BAND				*		4	
81		MAO11532000		CORD STAPLE				*		6	
82		M300451100A		VOLTAGE INDICATION CARD				*		1	
83		SL6083092TN		SCREW M8 L=30				*		4	
84		WP0841601SC		WASHER M8				*		4	
85		NM6080001SC		NUT M8X1.25 TYPE1				*		8	

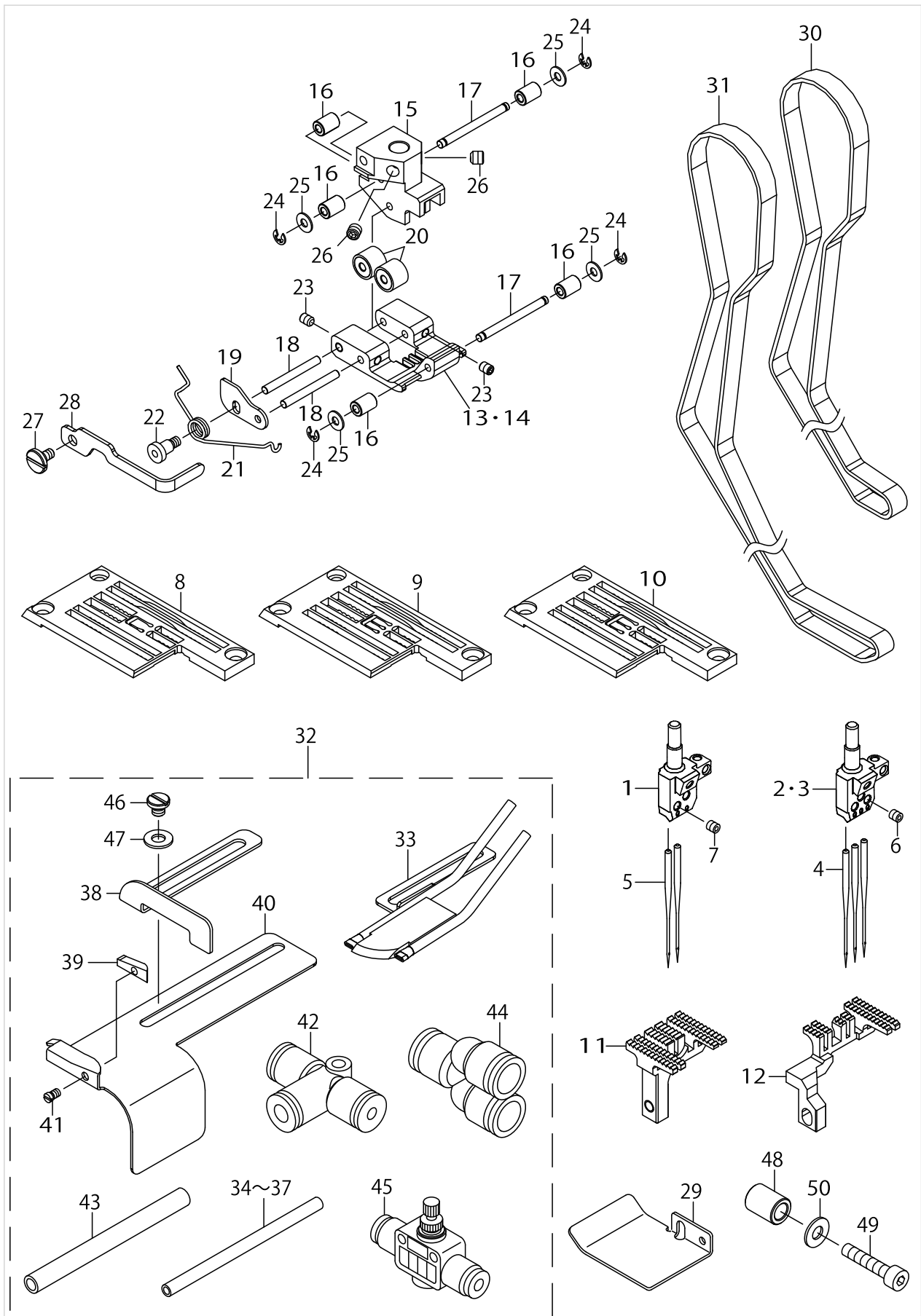
GAUGE COMPONENTS



GAUGE COMPONENTS

No.	Supply Code	Parts No.	Replacement	Parts name	Remarks	Choice	Step	Level	Cons	Qty	Rep. QTY
1		40179075		NEEDLE_HEAD_40	FOR MF-7-900DR-H24-E40					1	
2		40179076		NEEDLE_HEAD_56						1	
3		40179077		NEEDLE_HEAD_64						1	
4		MUY128S1000		NEEDLE UYX128GAS (S BALL POINT) #10S						3	
5		MUY128S1000		NEEDLE UYX128GAS (S BALL POINT) #10S						2	
6		SM8030312TP		SCREW M3 L=3						3	
7		SM8030312TP		SCREW M3 L=3						2	
8		40179067		THROAT_PLATE	FOR MF-7-900DR-H24-E40					1	
9		40179063		THROAT_PLATE						1	
10		40179066		THROAT_PLATE						1	
11		40179064		MAIN_FEED_DOG						1	
12		40179065		DIFF_FEED_DOG						1	
13		40179071		PRESSER_FOOT_BOTTOM	FOR MF-7-900DR-H24-E40					1	
14		40179070		PRESSER_FOOT_BOTTOM						1	
15		40179072		PRESSER_FOOT_BASE						1	
16		40179055		PULLEY_COLLAR						5	
17		40179056		PULLEY_SHAFT						2	
18		40179057		PIVOT_PIN						2	
19		40179060		STOPPER_PLATE						1	
20		40179059		FEED_FOOT_PULLEY						2	
21		40179062		PRESSER SPRING						1	
22		40179073		GUIDE_SCREW						1	
23		SM8040412TP		SCREW M4X4						2	
24		RE0200000K0		E-RING 2						4	
25		WP0280501SC		WASHER M2.6						4	
26		SM8030412TP		SCREW						2	
27		SD0450177TN		SHOULDER SCREW D=4.5 H=1.7						1	
28		40179061		FINGER_GUARD						1	
29		40179078		FABRIC GUIDE						1	
30		40122551		BELT_6.7_606_2GT					☆	1	
31		40179011		TIMING BELT 646					☆	2	
32		70005385		AIR_BLOW_HEM_GUIDE_DEVICE						1	
33		70005042		AIR_BLOW_HEM_GUIDE_ASM				*		1	
34		BT0400251EB		URETHANE TUBE BLACK 4X2.5				*		1	
35		BT0400251EB		URETHANE TUBE BLACK 4X2.5				*		1	
36		BT0400251EB		URETHANE TUBE BLACK 4X2.5				*		1	
37		BT0400251EB		URETHANE TUBE BLACK 4X2.5				*		1	
38		70005281		HEM_GUIDE_RIGHT				*		1	
39		70005282		HEM_GUIDE_BLOCK				*		1	
40		70005283		HEM_GUIDE_LEFT				*		1	
41		SM6850350TP		FLAT SCREW				*		1	
42		PJ305060004		TEE				*		1	
43		BT0600401EB		URETHANE TUBE BLACK 6X4				*		1	
44		PJ308060002		TEE UNION				*		1	

GAUGE COMPONENTS



GAUGE COMPONENTS

No.	Supply Code	Parts No.	Replacement	Parts name	Remarks	Choice	Step	Level	Cons	Qty	Rep. QTY
45		PC012401000		SPEED CONTROLLER				*		1	
46		SM6040450TP		SCREW M4 L=4				*		1	
47		WP0430801SC		WASHER M4				*		1	
48		70001712		COLLAR						2	
49		SM6042002TN		BOLT						2	
50		WP0450826SC		WASHER 4.5X10X0.8						2	

LIST FOR INFORMATION OF CHANGE

As to the place changed, refer to the corresponding Rev.No.
 When previous parts(Obsoleted part)and new parts(Added parts)are
 not interchangeable with each other:
 In this case, even obsoleted parts(D.) can be ordered with the
 obsoleted part number, so select the parts with changed dates and
 place your orders.

変更箇所は、該当Rev.No.版をご参照ください。
 部品の互換性がない変更の場合は、削除された品番でも、ご注文できます。

No.1697-01}・Rev.No.

*A:Added parts追加部品/D:Obsoleted parts削除部品/E:Erratum訂正

*	Rev. No.	Page 頁	Ref. No.	Parts No. 品番	*	Rev. No.	Page 頁	Ref. No.	Parts No. 品番
D	00	4	7	WP-0430801-SC	A	01	4	7	WP-0531001-SC
					A	01	4	59	401-81218
					A	01	16	48	700-01712
					A	01	16	49	SM-6042002-TN
					A	01	16	50	WP-0450826-SC

HOW TO MAKE USE OF THIS PARTS LIST

1.Explanation of codes

1)"*"mark.....means this part is changed from the previous parts book.

As to the details of the change, refer to the "List for information of change".

2)"#01".....refer to "Note" explanation at bottom of page.

2.Codes on the "Qty" column

• Each numeral indicates the number of parts required.

• "0.1" and "2.5" indicate the length (in meters) of the respective parts.

3.Parentheses mean that the corresponding part is a subpart that constructs an assembly part.

4.Dotted lines on the Figures indicate assembly parts.

5.As to the parts with marks of "☆"(consumable parts) and "◎"(optional parts)on the respective parts, it is recommended to prepare spares.

1 ."注記"欄の記号説明

1) "*"印.....前回のパーツブックに比較して今回変更された部品を意味します。

変更内容は、"変更情報リスト"を参照してください。

2) "#01".....ページ下の"注記"の説明を参照してください。

2.数量欄の数字は、個数を表し、0.1、2.5等の数値は、長さ（単位メートル）を表します。

3.数量欄の（ ）は、組部品を構成している子部品であることを意味します。

4.イラストページの-----枠は、組構成であることを意味します。

5.リストページの"☆"（消耗部品）、"◎"（オプション部品）の印がついた部品は、予備を準備しておくことをお奨めします。

For parts that are not described in this parts list, please refer to the parts list below.

このパーツリストに記載されていない部品については、下記のパーツリストをご参照下さい。

- MF-7900D
- MF-7900D-H24
- UT55,56,57
- UT59

NUMERICAL INDEX OF PARTS

PART NO	PAGE	REF NO.	PART NO	PAGE	REF NO.	PART NO	PAGE	REF NO.
13301809	2	33	40040255	4	49	40154165	10	31
13301908	14	5	40040306	14	37	40154166	10	39
13302302	2	35	40042319	14	32	40154167	10	29
13302302	14	17	40042374	16	67	40154168	10	42
13302500	14	6	40043800	16	64	40154169	22	11
13313804	18	24	40043815	16	65	40155621	16	61
13314109	20	74	40043839	16	63	40155622	16	62
13315908	18	23	40051640	26	50	40155632	2	3
13324504	10	5	40055355	24	4	40155633	2	13
13324603	10	8	40070559	18	7	40155634	2	34
13324702	10	10	40074316	10	25	40155636	2	38
13325600	10	44	40074444	26	78	40155637	2	42
13325808	12	48	40078291	20	56	40155638	2	43
13325907	12	49	40078292	20	50	40155639	2	45
13326004	12	50	40078293	20	47	40155640	22	20
13326103	12	51	40078295	20	60	40155641	14	1
13326202	12	52	40078296	20	65	40155643	14	8
13326202	22	33	40078299	20	63	40155644	14	9
13326806	18	45	40078300	20	64	40155645	14	15
13326905	10	35	40078301	20	57	40155646	14	25
13327002	12	47	40078302	20	52	40155647	14	28
13327101	10	40	40078303	20	54	40155648	14	30
13331301	22	6	40078304	20	58	40155651	14	31
13332606	22	3	40078305	20	51	40155652	14	34
13348008	10	19	40078306	20	53	40155655	14	38
13401906	2	5	40078307	20	76	40155656	16	53
13402003	2	27	40078317	20	62	40155657	16	55
13402706	2	40	40078320	20	66	40155658	16	57
13402805	22	34	40082196	2	18	40155659	16	58
13403407	4	63	40087068	22	44	40156616	20	83
13409800	4	55	40087083	20	68	40159404	14	35
13423801	14	11	40087101	20	69	40178901	2	12
13461306	14	18	40087139	26	33·72	40179002	6	1
13461504	14	20	40088311	24	34	40179003	6	2
13463351	4	62	40094018	24	5	40179004	6	3
23612609	10	9	40094019	24	6	40179007	6	5
23630007	4	64	40100769	22	32	40179008	6	4
40003458	26	47	40100771	22	24	40179010	6	9
40005401	24	9	40100773	22	23	40179011	6	12
40005404	24	10	40103079	24	33·72	40179011	28	31
40016877	6	44	40119461	2	23	40179012	6	13
40016878	6	39	40122551	6	11	40179013	6	14
40016879	6	43	40122551	28	30	40179014	6	19
40016885	6	28	40154163	10	24	40179015	6	24
40016893	6	31	40154164	10	13	40179016	6	25

NUMERICAL INDEX OF PARTS

PART NO	PAGE	REF NO.	PART NO	PAGE	REF NO.	PART NO	PAGE	REF NO.
40179017	6	29	40180925	26	68	70001490	18	34
40179018	6	30	40180927	26	64	70001491	18	39
40179019	6	32	40180928	26	67	70001492	18	42
40179020	6	33	40180929	26	66	70001493	18	43
40179021	6	36	40180931	26	56	70001494	20	78
40179022	6	37	40180932	26	57	70001495	18	25
40179023	6	41	40180935	26	58	70001498	20	82
40179024	6	42	40180936	8	60	70001500	20	70
40179025	6	46	40180937	8	61	70001537	10	3
40179026	8	48	40180938	18	8	70001540	10	18
40179028	8	55	40180939	18	9	70001543	10	32
40179029	8	56	40180940	26	70	70001546	10	20
40179030	8	57	40180942	26	59	70001584	22	36
40179031	8	58	40180943	26	61	70001642	2	29
40179055	28	16	40180944	26	63	70001643	2	15
40179056	28	17	40180945	26	69	70001655	2	2
40179057	28	18	40180946	26	65	70001661	2	10
40179059	28	20	40180948	26	71	70001663	2	24
40179060	28	19	40180949	24	28·29	70001712	30	48
40179061	28	28	40180954	26	79	70001729	22	4
40179062	28	21	40181161	24	13	70001734	22	14
40179063	28	9	40181162	24	18	70001735	22	16
40179064	28	11	40181163	24	19	70001738	22	27
40179065	28	12	40181164	24	21	70001745	22	29
40179066	28	10	40181165	24	26	70001753	22	40
40179067	28	8	40181218	8	59	70001754	22	10
40179070	28	13·14	40181219	18	15	70001758	22	41
40179071	28	13·14	40181242	8	62	70001856	14	22
40179072	28	15	40181284	24	1~3	70001857	14	23
40179073	28	22	40181285	24	1~3	70001861	14	45
40179074	4	67	40181286	24	1~3	70001866	2	1
40179075	28	1	40181287	26	73	70001869	16	48
40179076	28	2·3	70001413	4	56	70001988	22	1
40179077	28	2·3	70001414	4	53	70003355	4	61
40179078	28	29	70001457	2	26	70004194	22	8
40179081	18	18	70001462	20	49	70004199	22	5
40179082	18	1	70001463	20	59	70004372	4	60
40179083	18	4	70001465	20	48	70004374	2	36
40179084	18	5	70001477	18	37	70004375	22	31
40179085	18	6	70001478	18	35	70004494	16	52
40179086	8	63	70001485	20	72	70004733	22	39
40179088	18	11	70001486	20	77	70004844	14	40
40179089	18	10	70001487	18	29	70004845	14	46
40180923	26	60	70001488	18	32	70005042	28	33
40180924	26	62	70001489	18	33	70005281	28	38

NUMERICAL INDEX OF PARTS

PART NO	PAGE	REF NO.	PART NO	PAGE	REF NO.	PART NO	PAGE	REF NO.
70005282	28	39	NM6050001SC	8	53	SL6041092TN	24	22
70005283	28	40	NM6050001SP	14	27	SL6041292TN	6	18
70005385	28	32	NM6060001CP	18	27	SL6042092TN	2	30
B9214850000	10	21	NM6080001SC	26	85	SL6083092TN	26	83
BME01100000	26	51·52	NM6080002SC	26	77	SM1030800SM	22	2
BME03200000	26	51·52	NM6850001SC	22	38	SM1040650TP	10	38
BT0400251EB	18	20~22	PC012401000	30	45	SM1040750TP	10	30
BT0400251EB	28	34~37	PC012601000	16	69	SM1040800SP	2	39
BT0600401EB	28	43	PF0205010C0	18	16	SM1040852TP	6	38
CM300100003	24	44	PH0150065C0	14	44	SM1040860SP	2	28
CM300100401	26	49	PH0300252C0	2	7	SM4030401SC	18	12
CM300400601	24	45·46	PH0400185S0	14	10	SM4030455SP	14	41
CM300400701	26	45·46	PJ304040504	18	17	SM4030455SP	22	22
CQ303000000	16	51	PJ305060004	28	42	SM4030655SP	4	65
CS1000881TP	10	6	PJ308060002	28	44	SM4030655SP	10	46
E2613700000	6	40	PS0150082KH	10	22	SM4030655SP	14	43
E9567319000	24	24	PS0200062KH	16	47	SM4030855SN	10	27
E9607603000	26	54	PS0400082KP	10	34	SM4030855SN	20	46
EA9500B0100	16	68	PS0500142KP	20	81	SM40405C5SP	10	16
EA9500B0100	24	80	PV200202000	18	19	SM4040655SP	2	20
EA9500B0100	26	80	PX050501000	18	2	SM4040655SP	10	33
HK057950080	24	37	RE0200000K0	28	24	SM4040655SP	14	50
HK057990060	26	48	RE0250000K0	16	59	SM4040655SP	16	50
HM002300000	6	17	RE0400000KP	6	35	SM4040655SP	22	42
HM002300010	24	28·29	RE0600000K0	16	60	SM4040855SP	2	52
HX00150000H	8	52	RO037180100	2	9	SM4040855SP	4	52
HX00188000D	24	16	RO437200200	14	2	SM4041055SP	2	58
HX00233000D	18	14	SD0450177TN	28	27	SM4041055SP	4	58
HX002940000	24	40	SD064024CSP	22	19	SM4041055SP	10	15
HX00314000D	4	48	SD070020CTP	20	75	SM4041055SP	16	66
HX00326000K	24	25	SD0700586TP	20	80	SM4041055SP	18	41
HX004070000	24	17	SL4030891SC	6	6	SM4042055SP	2	11
HX007210000	24	31	SL4031091SC	24	32	SM4051455SP	2	31
KX000000210	24	41	SL4033091SC	24	11	SM4850455SP	12	54
KX000000230	26	55	SL4040681SC	24	35	SM48504C5SP	10	37
M300451100A	26	82	SL4040881SC	24	42	SM48504C5SP	22	26
MAO11532000	26	81	SL4040891SC	8	51	SM5030555SN	22	30
MTSHJ100003	26	74	SL4040891SC	24	39	SM5040655SN	2	14
MUY128S1000	28	5	SL4041081SC	24	36	SM5040855SN	6	20
NM6030001SC	22	35	SL4041091SC	24	20	SM6020350SP	6	45
NM6040000SN	2	59	SL4041281SC	24	30	SM6030500SN	14	56
NM6040000SN	4	59	SL4041291SC	24	27	SM6030500SN	16	56
NM6040001SD	24	23	SL4042081SC	24	38	SM6030600SP	14	16
NM6040002SN	8	50	SL6040892TN	6	8	SM6030650TP	4	66
NM6050001SC	6	53	SL6041092TN	18	13	SM6040450TP	4	47

NUMERICAL INDEX OF PARTS

PART NO	PAGE	REF NO.	PART NO	PAGE	REF NO.
SM6040450TP	30	46	TA0620504R0	22	43
SM6040650TP	22	28	TA0750404R0	20	67
SM60407C0TP	2	22	TA1250705R0	26	53
SM6040800SP	2	25	WP0280500SC	22	25
SM6040800SP	14	54	WP0280501SC	10	53
SM6040800SP	16	54	WP0280501SC	12	53
SM6040800SP	18	38	WP0280501SC	28	25
SM6040802TP	6	21	WP0320501SC	10	45
SM6041000SP	20	71	WP0320501SC	22	21
SM6041050TP	14	7	WP0410516SD	22	17
SM6041200SP	20	73	WP0430801SC	2	50
SM6041202TP	20	79	WP0430801SC	4	50
SM6042002TN	30	49	WP0430801SC	6	49
SM6050800SP	4	57	WP0430801SC	8	49
SM6050800SP	22	15	WP0430801SC	16	49
SM6051000SP	14	42	WP0430801SC	30	47
SM6051002TP	10	1	WP0450801SC	10	17
SM6051002TP	18	30	WP0450801SC	14	14
SM6051202TP	18	61	WP0450826SC	18	40
SM6051202TP	20	61	WP0450826SC	30	50
SM6051400SP	14	3	WP0522016SH	10	4
SM6051402TP	10	12	WP0531001SC	6	7
SM6061202TP	18	28	WP0550800SP	14	26
SM6061602TP	6	15	WP0551016SH	18	31
SM60625C0TP	18	26	WP0621016SD	6	34
SM6850350TP	2	44	WP0641601SC	6	16
SM6850350TP	28	41	WP0820516SP	14	36
SM6850802TN	22	37	WP0841601SC	26	84
SM8030312TP	10	26	WP0852086SC	26	75
SM8030312TP	14	39	WS0410002KN	6	23
SM8030312TP	28	7	WS0510002KN	6	54
SM8030412TP	28	26	WS0510002KN	8	54
SM8040360TP	2	41	WS0510002KN	10	11
SM8040412TP	2	37	WS0510002KP	4	54
SM8040412TP	8	47	WS0510002KP	10	2
SM8040412TP	14	21	WS0820002KR	26	76
SM8040412TP	28	23	WZ0641510KP	22	18
SM8040512TP	18	44			
SM8040612TP	6	10			
SM8041012TP	2	16			
SM8050612TP	10	7			
SM8050612TP	22	9			
SM8060552TP	14	19			
SM8060552TP	22	12			
ST4040851SN	10	23			