

MODEL : MO-623

List No : 6002-00

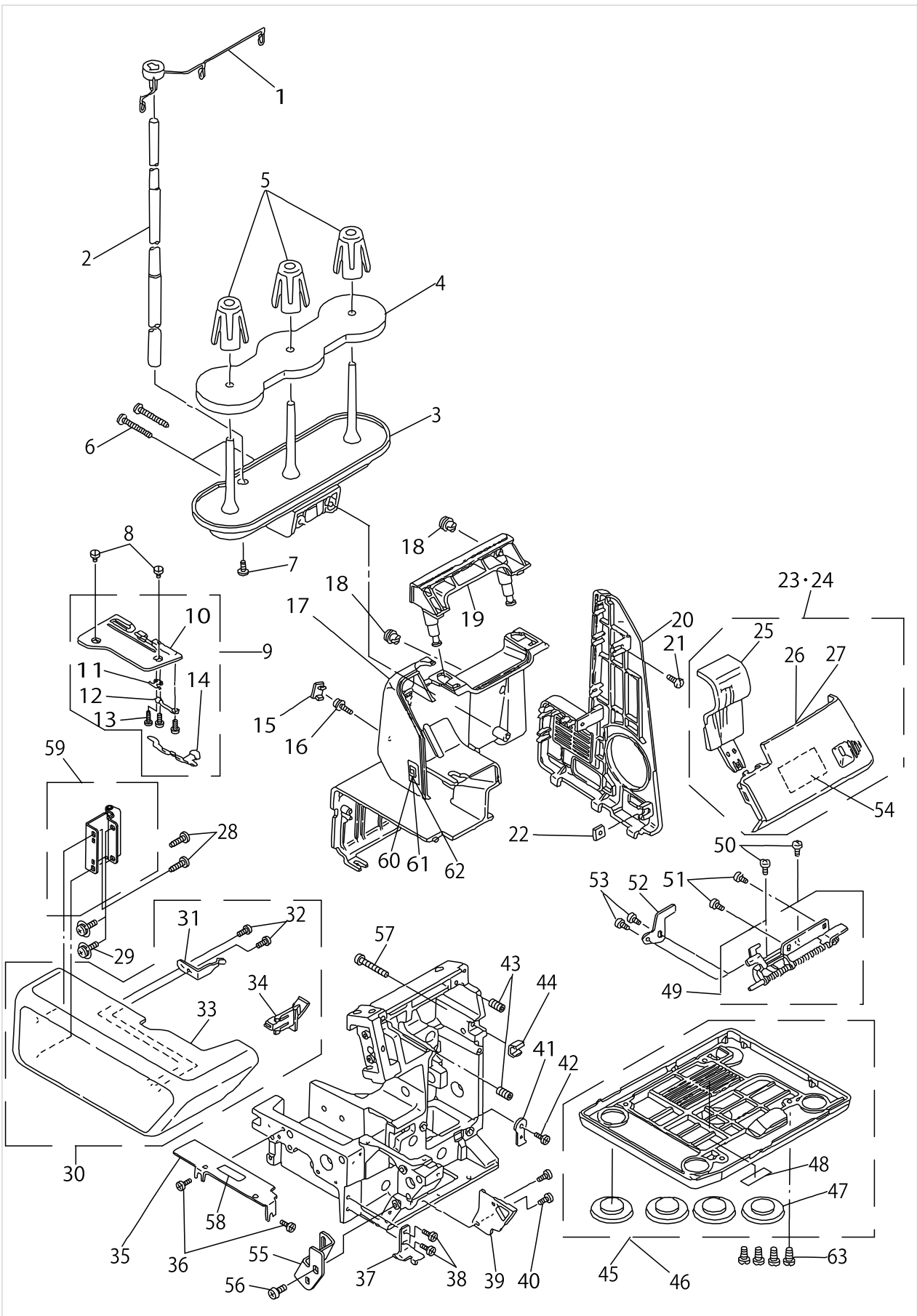
PARTS LIST

Published:05/12/2017

CONTENTS

FRAME COMPONENTS	1
MAIN SHAFT COMPONENTS	5
NEEDLE BAR & PRESSER FOOT COMPONENTS.....	7
FEED MECHANISM COMPONENTS.....	9
LOOPER DRIVE COMPONENTS	11
KNIFE COMPONENTS.....	15
THREAD TENSION COMPONENTS	17
LAMP & MOTOR CONTROLLER COMPONENTS.....	19
ACCESSORIES PARTS COMPONENTS	21
HOW TO MAKE USE OF THIS PARTS LIST	23

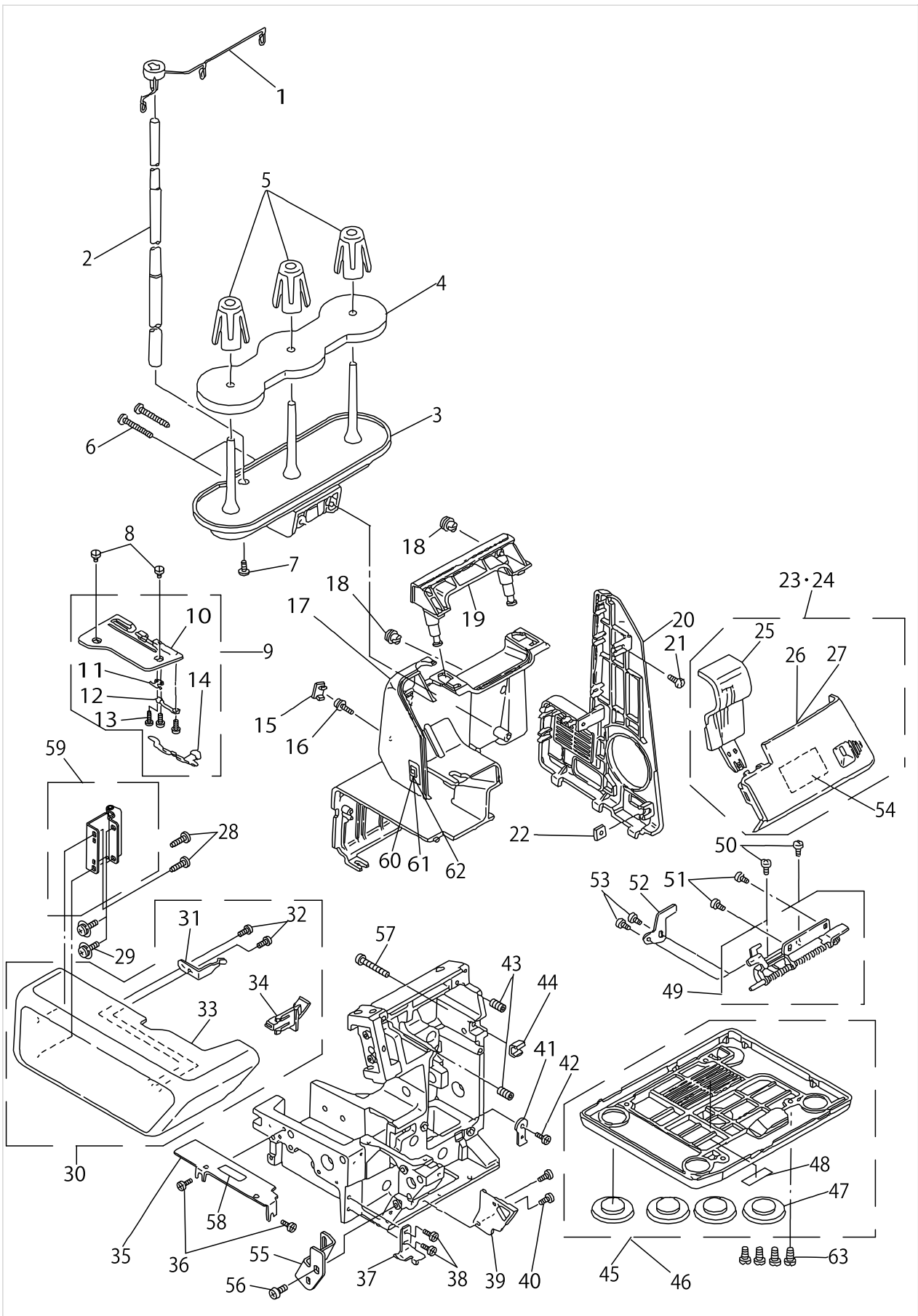
FRAME COMPONENTS



FRAME COMPONENTS

No.	Supply Code	Parts No.	Replacement	Parts name	Remarks	Choice	Step	Level	Cons	Qty	Rep. QTY
1		A11206230A0		THREAD GUIDE ASM.						1	
2	R	A1120334000	40082787	SUPPORTING ROD						1	1.00
3		A1118623000A		SPOOL HOLDER						1	
4		A1121203000		SPOOL REST CUSHION						1	
5		A1120202000		SPOOL RETAINER						3	
6		SM5043755SC		SCREW						2	
7		SM5051255SN		SCREW						1	
8		A1138335000		THROAT PLATE SETSCREW						2	
9		A11155030B0A		THROAT PLATE MAS. ASM.						1	
10		A11155030A0		THROAT PLATE				*		1	
11		A1131203000		SPRING				*		1	
12		A1132334000		THREAD SLIP GUIDE				*		1	
13		SM4020351SC		SCREW				*		3	
14		A1136314DA0A		THROAT PLATE TH- READ SLIP ASM.				*		1	
15		A1146644000		COVER CAP(B)						1	
16		SL5031031SN		SCREW						1	
17	D	A1106644000		REAR COVER W. RE- FLECTING SEAL						1	
18		A1124644000		COVER CAP(A)						2	
19		A1145644000		HANDLE						1	
20	R	A1103644000A	A1103S10000	SIDE COVER						1	1.00
21	D	SL4040831SF		SCREW M4 L=8						1	
22		A3151535000		FRONT COVER NUT						1	
23		A11516230A0B		LOOP.COVER ASM.(UL/GSA)						1	
24		A1151623BA0B		LOOP.COVER ASM.(- VDE/SAA/SAUDI)						1	
25		A1152644000B		CHIP GUARD COVER				*		1	
26	R	A1151623A00A	A1151623B00A	LOOPER COVER				*		1	1.00
27		A1151623B00A		LOOPER COVER				*		1	
28		ST5041051SN		SCREW						2	
29		SL5040865SN		SCREW						2	
30		A11046440A0A		CLOTH PLATE ASM.						1	
31		A1160634000		CLOTH PLATE OPENING SPRING				*		1	
32		ST5041051SN		SCREW				*		2	
33		A1104644000A		CLOTH PLATE				*		1	
34		A1104644A00A		CLOTHPLATECOVER				*		1	
35		A1135535000		OP COVER						1	
36		SM5040855SN		SCREW						2	
37		A1164535000		CLOTH PLATE PRESSER PLATE						1	
38		SM5040855SN		SCREW						2	
39		A1156644000		LOOPER COVER GUIDE						1	
40		SM4040855SN		SCREW						2	
41		A3161634000		FRONT COVER INS- TALLATION PLATE						1	
42		SM4040655SN		SCREW M4X0.7 L=6						1	
43		SM8050842TP		SETSCREW						2	
44		A3150535000		FRONT COVER ASM. PLATE						1	
45	D	A11026440A0		BASE PLATE ASM.						1	

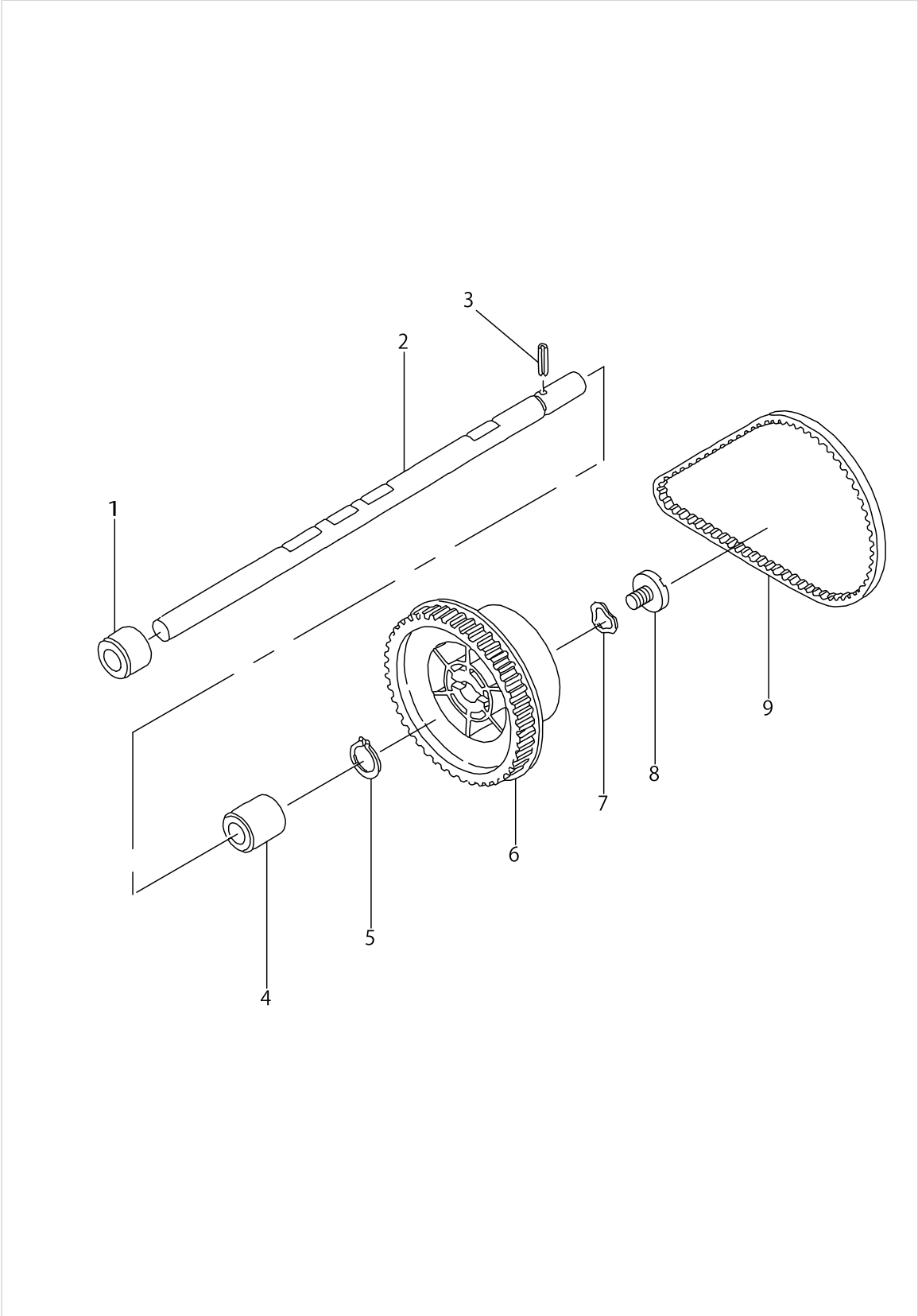
FRAME COMPONENTS



FRAME COMPONENTS

No.	Supply Code	Parts No.	Replacement	Parts name	Remarks	Choice	Step	Level	Cons	Qty	Rep. QTY
46		A1102644AA0		BASE PLATE ASM.(SAUDI)						1	
47		A1123535000		SUCTION FEET				*		4	
48		A6051634000		SEAL(SAUDI)				*		1	
49	R	A11536440A0	A11536300A0	LOOPER COVER HINGE ASM.						1	1.00
50		SM5040855SN		SCREW						2	
51		ST5041051SN		SCREW						2	
52		A1169634000		CHIP GUARD COVER PLATE						1	
53		SM4850455SN		SCREW						2	
54		A1190623000		THREADING CHART						1	
55		A2536524000		SPRING SUPPORT PLATE						1	
56		SM5040655SN		SCREW						1	
57		SM5032555SE		SCREW M3 L=25						1	
58		A9196524000		CAUTION LABEL(UL/GSA)						1	
59		A11615350A0		CLOTH PLATE HINGE ASM.						1	
60		A3123644A00A		NEEDLE FIXATION LABEL(UL/GSA)						1	
61		A3123644B00		NEEDLE FIXATION LABEL(VDE/SAA)						1	
62		A3123644C00		NEEDLE FIXATION LABEL(SAUDI)						1	
63		SM5051255SN		SCREW						4	

MAIN SHAFT COMPONENTS



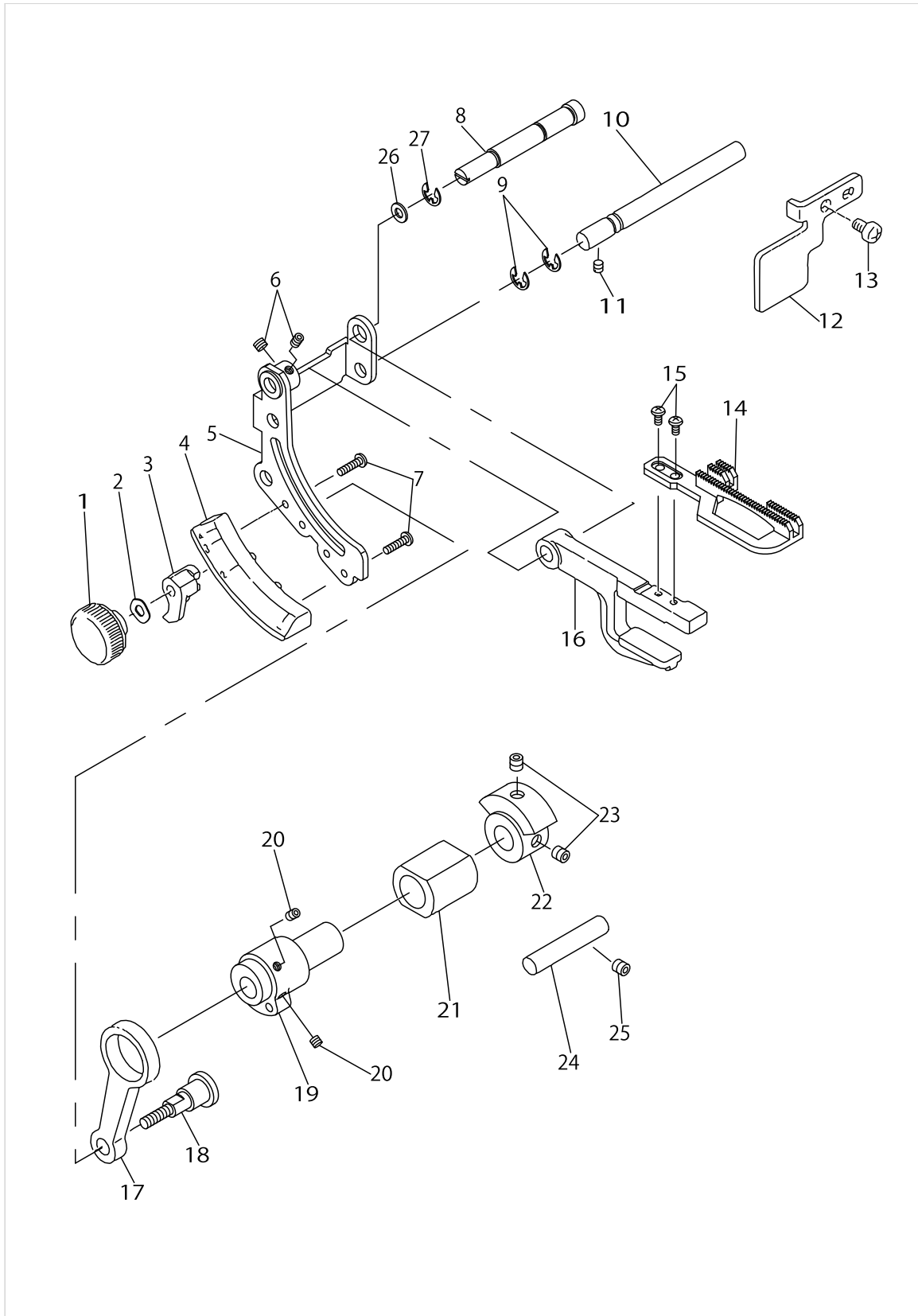
MAIN SHAFT COMPONENTS

No.	Supply Code	Parts No.	Replacement	Parts name	Remarks	Choice	Step	Level	Cons	Qty	Rep. QTY
1		A1206335000		MAIN SHAFT BUSHING FRONT						1	
2	R	A120153500A	40071772	MAIN SHAFT						1	1.00
3		PS0400222KH		PIN						1	
4		A1206202000		MAIN SHAFT BUSHING						1	
5		A1206102000		C RING						1	
6	R	A1202644000	A1202113000	HANDWHEEL						1	1.00
7		A1206535000		HANDWHEEL WASHER						1	
8		A1230500000A		HANDWHEEL SETSCREW						1	
9		A1205634000		TIMING BELT						1	

NEEDLE BAR & PRESSER FOOT COMPONENTS

No.	Supply Code	Parts No.	Replacement	Parts name	Remarks	Choice	Step	Level	Cons	Qty	Rep. QTY
1		A1407102000		NEEDLE BAR BUSHING LOWER						2	
2		SM8060602TP		SCREW M6X6						1	
3		A1403102000		CONNECTING PIN						2	
4		A1412535000		NEEDLE BAR LINK						1	
5		A1413613000		NEEDLE THREAD TAKE-UP						1	
6		SM4040655SN		SCREW M4X0.7 L=6						1	
7		RE0600000K0		E-RING 6						1	
8		WP0820516SP		WASHER 11.6X8.2X0.6						1	
9		A1402535000		NEEDLE BAR CRANK						1	
10		SM8040402TP		SCREW M4X0.7 L=4						3	
11		A1404535000		NEEDLE BAR DRIVING SHAFT						1	
12		A14145020A0		THRUST COLLAR ASM.						1	
13		A1403335000A		NEEDLE BAR CRANK ROD						1	
14		A1401535000A		NEEDLE BAR DRIVING CAM						1	
15		SM8050602TP		SCREW M5 L=6						2	
16		A1503634000		PRESSER FOOT ADJ. SCREW						1	
17		A1501535000		PRESSER SPRING						1	
18		A1502535000		PRESSER BAR GUIDE BRACKET						1	
19		SM8050402TP		SCREW						1	
20		A1507535000		PRESSER BAR						1	
21		SM5040855SN		SCREW						1	
22		A15045350A0		LIFTING LEVER SET PLATE ASM.						1	
23		SM5040855SN		SCREW						2	
24		A1506644000		LIFTING LEVER						1	
25		RE0500000K0		E-RING						1	
26		A14065130B0		NEEDLE BAR ASM.						1	
27		A14065030A0		NEEDLE BAR				*		1	
28		A1405513000		NEEDLE BAR THREAD GUIDE				*		1	
29		SM4850455SP		SCREW				*		1	
30		A1407303000		NEEDLE CLAMP				*		1	
31		SM8040402TP		SCREW M4X0.7 L=4				*		1	
32		A1409303000		SCREW				*		1	
33		MHA100B1100		NEEDLE HAX1 #11						1	
34	R	A15016230C0A	40105407	PRESSER FOOT MAS. ASM.						1	1.00
35		A15145350B0		PRESSER FOOT SHANK ASM.				*		1	
36		A15016130B0A		PRESSER FOOT ASM.				*		1	
37		SM4030301SC		SCREW M3X3				*		1	
38		A1550634000		TAPE GUIDE PLATE				*		1	
39		A1411335000		CLOTH PLATE FIXING SPRING						1	

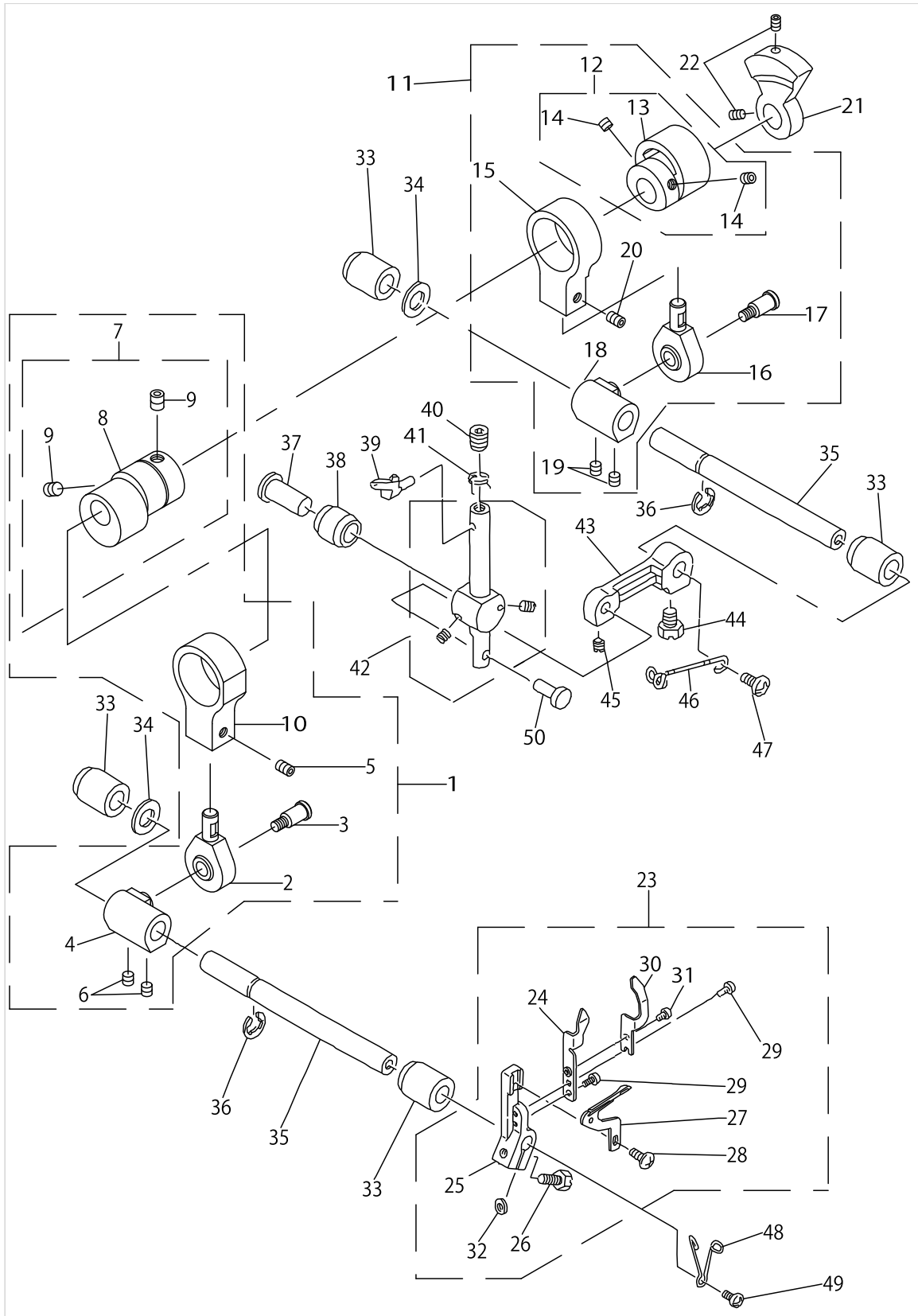
FEED MECHANISM COMPONENTS



FEED MECHANISM COMPONENTS

No.	Supply Code	Parts No.	Replacement	Parts name	Remarks	Choice	Step	Level	Cons	Qty	Rep. QTY
1		A1650534000		FEED ADJUSTING KNOB						1	
2		WZ0430200KP		WASHER						1	
3		A1652535000		FEED ADJUSTING POINTER						1	
4		A1628535000A		FEED ADJUSTING SCREW						1	
5		A16235350A0		FEED BASE ARM						1	
6		SM8040302TP		SETSCREW						2	
7		ST4861051SN		TAPING SCREW						2	
8		A1626535000A		FEED BASE SUPPOTING SHAFT						1	
9		RE0500000K0		E-RING						2	
10		A1622535000		HORIZONTAL FEED SHAFT						1	
11		SM8040402TP		SCREW M4X0.7 L=4						1	
12		A1613535000		FEED BASE GUIDE						1	
13		SM4040655SN		SCREW M4X0.7 L=6						1	
14	D	A1627503000		FEED DOG						1	
15		SM4030655SP		SCREW						2	
16		A1625535000		FEED BASE ARM						1	
17		A1616535000		HORIZONTAL FEED CAM						1	
18		A1651535000		FEED ADJUSTING ROD						1	
19		A1617534000A		VERTICAL/HORIZO- NTAL FEED CAM						1	
20		SM8040602TP		SCREW M4X0.7 L=6						2	
21		A1630535000		VERTICAL FEED ADS.						1	
22		A1207503000		VERTICAL FEED BA- LANCE WEIGHT						1	
23		SM8040602TP		SCREW M4X0.7 L=6						2	
24		A1612535000		FEED BASE GUIDE ROD						1	
25		SM8040402TP		SCREW M4X0.7 L=4						1	
26		WP0641600SD		WASHER						1	
27		RE0500000K0		E-RING						1	

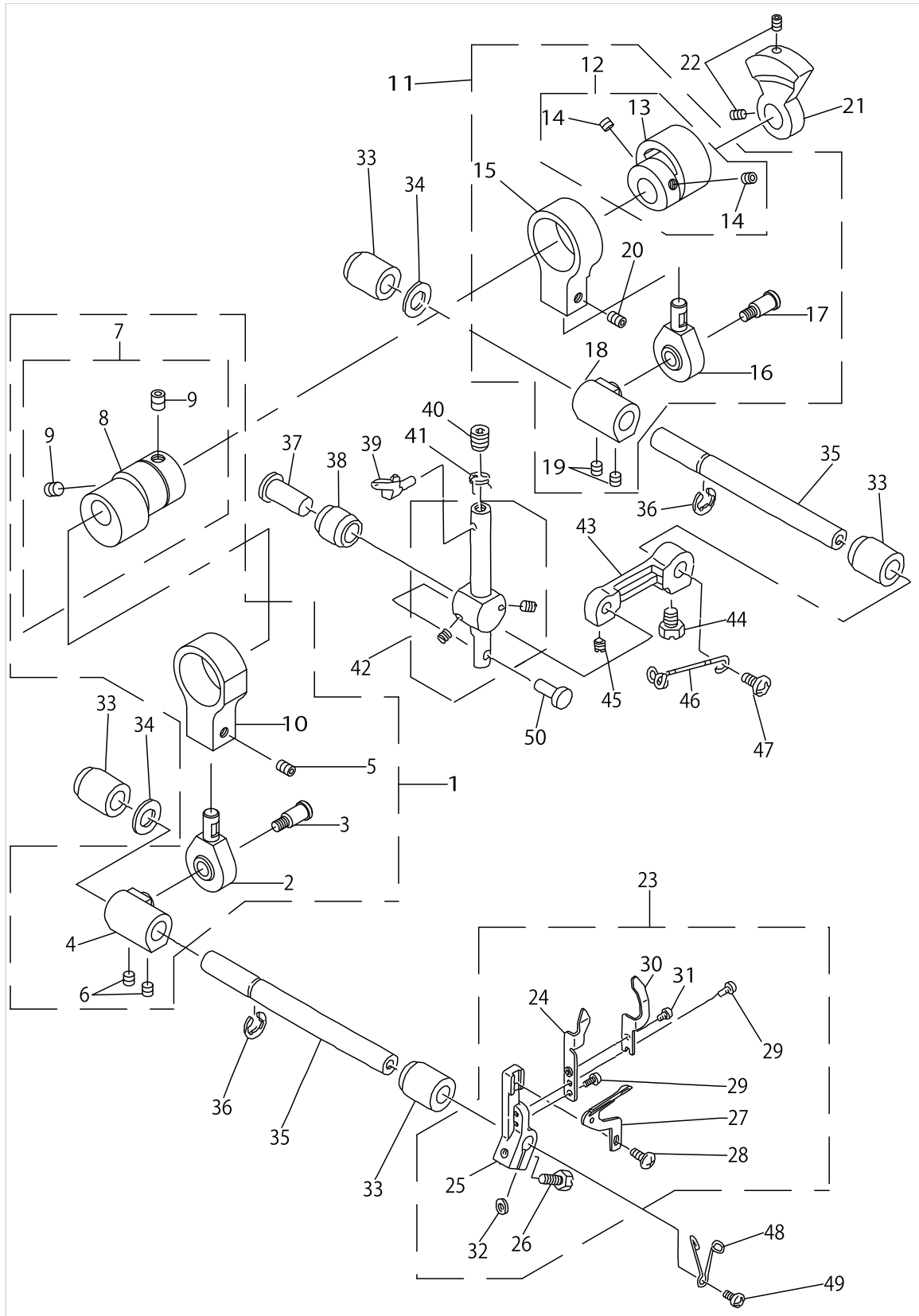
LOOPER DRIVE COMPONENTS



LOOPER DRIVE COMPONENTS

No.	Supply Code	Parts No.	Replacement	Parts name	Remarks	Choice	Step	Level	Cons	Qty	Rep. QTY
1		A25155340A0B		LOWER LOOPER ROD ASM.						1	
2		A2503776000		CONNECTING ROD				*		1	
3		A2504776000		CONNECTING SCREW				*		1	
4		A2505776000		LOOPER DRIVING ARM				*		1	
5		SM8040602TP		SCREW M4X0.7 L=6				*		1	
6		SM8040402TP		SCREW M4X0.7 L=4				*		2	
7		A25145340A0B		LOWER LOOPER CAM ASM.				*		1	
8		A2514534000C		LOWER LOOPER CAM				*		1	
9		SM8050602TP		SCREW M5 L=6				*		2	
10		A2515534000A		LOWER LOOPER ROD				*		1	
11	R	A25025340A0A	40061961	UPPER LOOPER ROD ASM.						1	1.00
12	R	A25015340A0A	40079509	UPPER LOOPER CAM ASM.				*		1	1.00
13		A2501534000A		UPPER LOOPER CAM				*		1	
14		SM8040402TP		SCREW M4X0.7 L=4				*		2	
15		A2502534000A		UPPER LOOPER ROD				*		1	
16		A2503776000		CONNECTING ROD				*		1	
17		A2504776000		CONNECTING SCREW				*		1	
18		A2505776000		LOOPER DRIVING ARM				*		1	
19		SM8040402TP		SCREW M4X0.7 L=4				*		2	
20		SM8040602TP		SCREW M4X0.7 L=6				*		1	
21		A2550534000C		LOOPER BALANCER						1	
22		SM8040402TP		SCREW M4X0.7 L=4						2	
23		A25175030AA		LOWER LOOPER SUPPORT ARM ASM.						1	
24		A2536535000		NEEDLE GUARD REAR				*		1	
25		A2517535000		LOWER LOOPER SUPPORT ARM				*		1	
26		SM9051400SN		HEXAGON BOLT				*		1	
27		A252633500S		LOWER LOOPER				*		1	
28		SM5030655SN		SCREW M3X0.5 L=6				*		1	
29		SM4030655SP		SCREW				*		2	
30		A2535535000		NEEDLE GUARD FRONT				*		1	
31		SM4030455SP		SCREW				*		1	
32		A2518534000		SPACER				*		1	
33		A2112204000		SUB FEED ADJUSTING METAL						4	
34		WP0820516SP		WASHER 11.6X8.2X0.6						2	
35		A2521534000		LOOPER SHAFT						2	
36		RE0600000K0		E-RING 6						2	
37		A2531534000A		UPPER LOOPER GUIDE SHAFT						1	
38		A2561777000		HORI. FEED SHAFT METAL FRONT						1	
39		A2512234000		UPPER LOOPER						1	
40		SM8050602TP		SCREW M5 L=6						1	
41		A25215130A0		UP LOOPER THREAD GUIDE						1	
42	R	A25303350AS	A25308000A0	UPPER LOOPER SLIDE STUD ASM.						1	1.00
43		A2510334000		UPPER LOOPER OSC. ARM CONNECT						1	
44		SM9050850SP		SCREW						1	
45		SM8040402TP		SCREW M4X0.7 L=4						1	

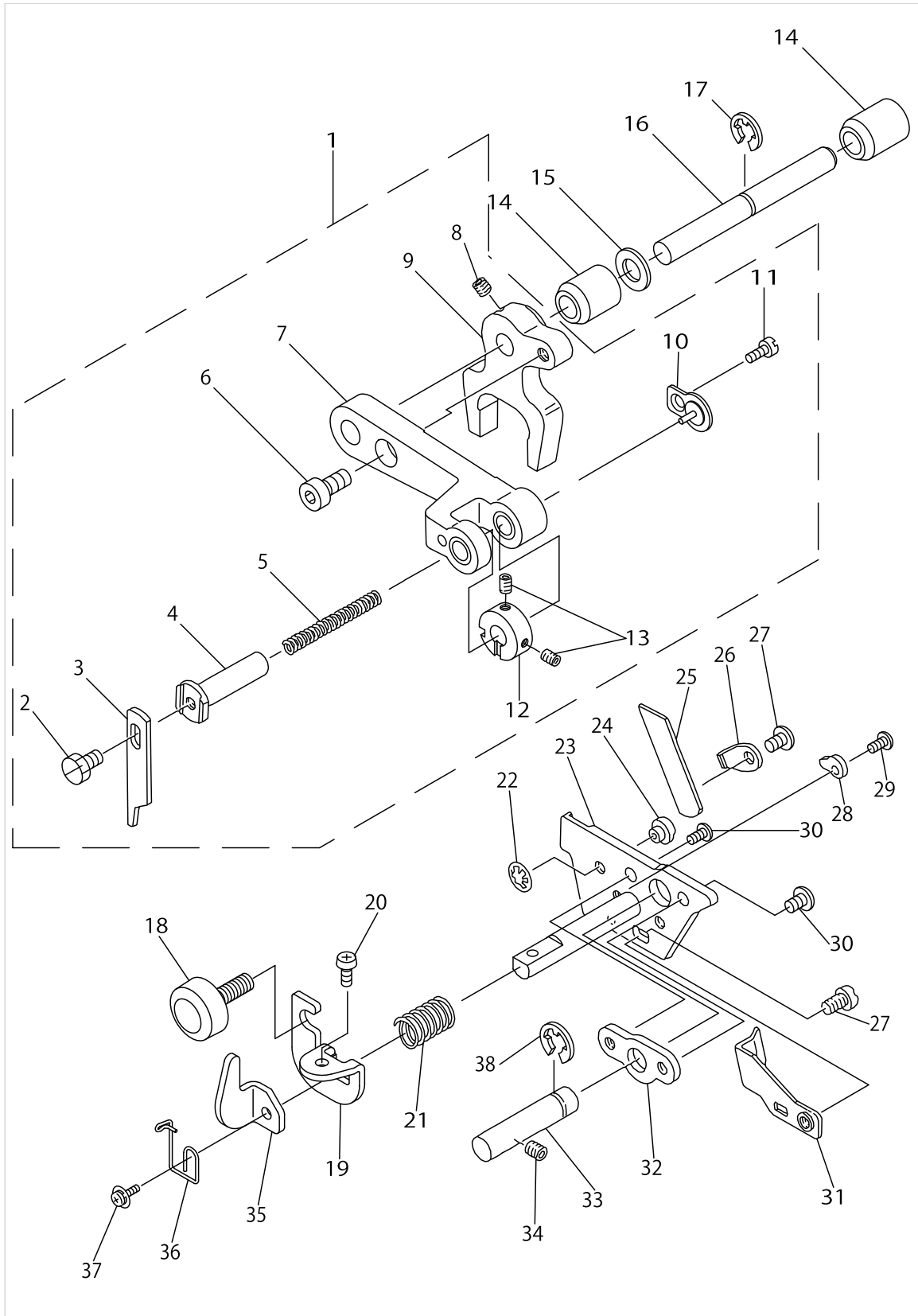
LOOPER DRIVE COMPONENTS



LOOPER DRIVE COMPONENTS

No.	Supply Code	Parts No.	Replacement	Parts name	Remarks	Choice	Step	Level	Cons	Qty	Rep. QTY
46		A25196340A0		UPPER LOOPER TH- READ TAKE-UP						1	
47		SM4040655SN		SCREW M4X0.7 L=6						1	
48		A25205340A0		LOWER THREAD GUIDE						1	
49		SM4040655SN		SCREW M4X0.7 L=6						1	
50		A2529335000		UPPER LOOPER ARM PIN						1	

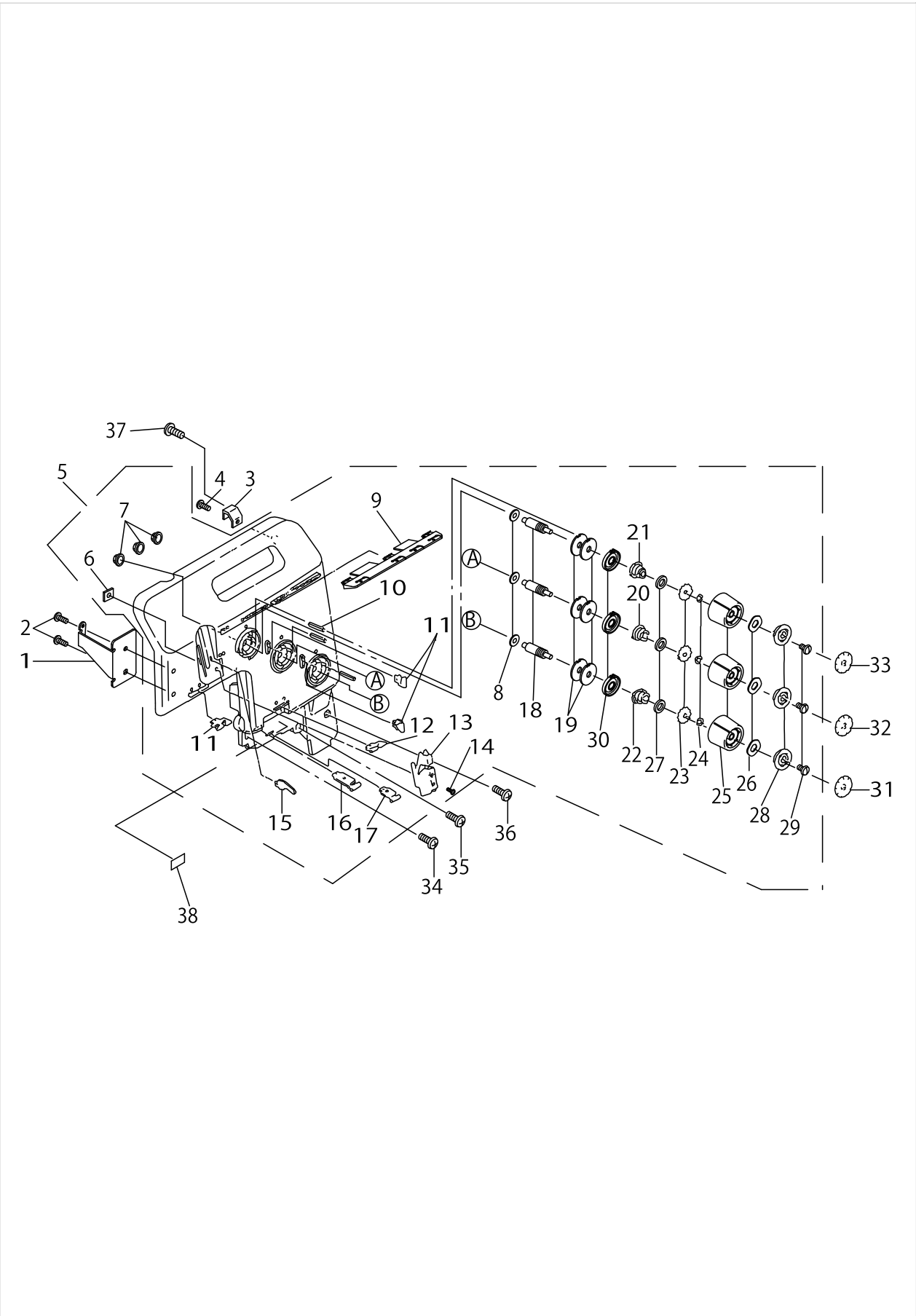
KNIFE COMPONENTS



KNIFE COMPONENTS

No.	Supply Code	Parts No.	Replacement	Parts name	Remarks	Choice	Step	Level	Cons	Qty	Rep. QTY
1		A41016440A0		UPPER KNIFE DRIVING ARM ASM.						1	
2		SM9040700SP		HEXAGONAL BOLT				*		1	
3		A4142335000		UPPER KNIFE HOLD- ER SHAFT ASM.				*		1	
4		A4103535000		UPPER KNIFE HOLDER				*		1	
5		A4106535000		KNIFE PRESSER SPRING				*		1	
6		SM6051002TP		SCREW M5X0.8 L=10				*		1	
7		A4101503000C		UPPER KNIFE DRIVING ARM				*		1	
8		SM8040402TP		SCREW M4X0.7 L=4				*		1	
9	R	A4102535000	40072483	UPPER KNIFE FORKED ARM				*		1	1.00
10		A41075020A0		KNIFE SPRING SUP- PORTING PLATE				*		1	
11		SM1030601SP		SCREW M3 L=6				*		1	
12		A4105776000A		UPPER KNIFE TURNING KNOB				*		1	
13		SM8030402TP		SCREW M3X0.5 L=4				*		2	
14		A2112204000		SUB FEED ADJUSTING METAL						2	
15		WP8020516SP		WASHER						1	
16		A4108535000		UPPER KNIFE SHAFT						1	
17		RE0600000K0		E-RING 6						1	
18		A4130524000		LOWER KNIFE ADJ.KNOB						1	
19		A4131524000		LOWER KNIFE ADJ.SUPPORT						1	
20		SM5030855SN		SCREW						1	
21	R	A4136524000	A4136335000	LOWER KNIFE HOLDER SPRING						1	1.00
22		A3205555A00		STOPPER						1	
23		A41215240A0		LOWER KNIFE HOLDER ASM.						1	
24		A4149535000		LOWER KNIFE ANG- LE ADJ.SUPPORT						1	
25		A4145335000		LOWER KNIFE						1	
26		A4123335000		LOWER KNIFE PRESSER PLATE						1	
27		SM4040655SP		SCREW M4 L=6						2	
28		A4124335000		LOWER KNIFE SUP- PORTING PLATE						1	
29		SM4030655SP		SCREW						1	
30		SM4040655SP		SCREW M4 L=6						2	
31		A4147535000		CHIP GUARD COVER STOPPER						1	
32		A4139655000		LOWER KNIFE HOLDER SUPPORT						1	
33		A4125524000		LOWER KNIFE HOLDER SHAFT						1	
34		SM8040402TP		SCREW M4X0.7 L=4						1	
35		A4132524000		LOWER KNIFE ADJ.- KNOB STOPPER						1	
36		A4133524000		LOWER KNIFE ADJ.SPRING						1	
37		SL4030631SC		SCREW M3X6						1	
38		RE0600000K0		E-RING						1	

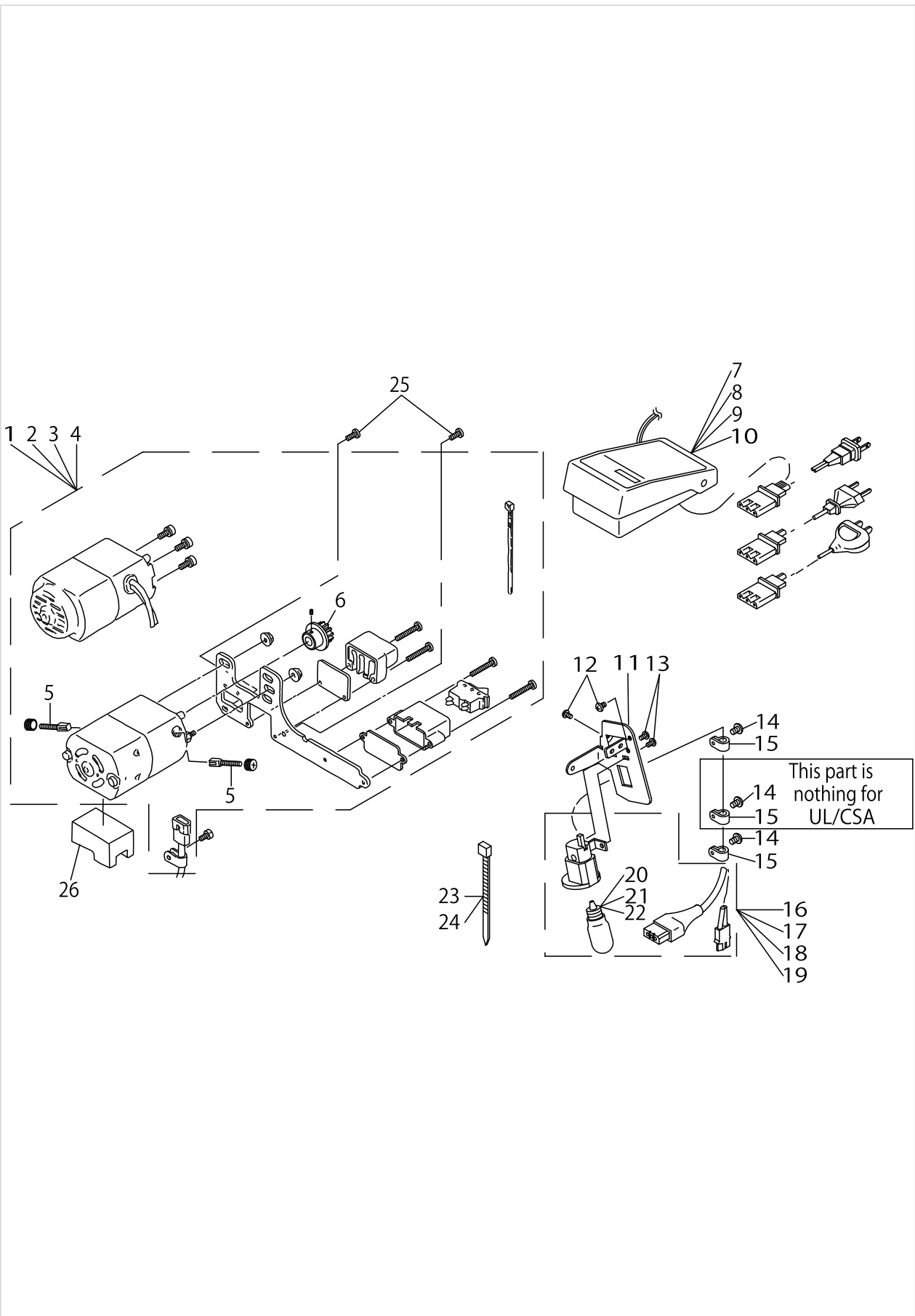
THREAD TENSION COMPONENTS



THREAD TENSION COMPONENTS

No.	Supply Code	Parts No.	Replacement	Parts name	Remarks	Choice	Step	Level	Cons	Qty	Rep. QTY
1		A3154634000A		F. COVER INSTALLATION HOLDER						1	
2		ST5031051SN		TAPPING SCREW						2	
3		A3158634000		FRONT COVER FIX PLATE(A)						1	
4		ST5031051SN		TAPPING SCREW						1	
5		A31016230A0A		FRONT COVER ASM.						1	
6		A3151535000		FRONT COVER NUT				*		1	
7		A3103502000		NUT				*		3	
8		WP0380516SD		WASHER				*		3	
9		A31076230B0		1 ST THREAD GUIDE MAS. ASM.				*		1	
10		PS0200202KH		PIN				*		3	
11		A3110202000		THREAD GUIDE B				*		3	
12		A3157535000		THREAD GUIDE A				*		1	
13		A3119503000		NEEDLE THREAD TAKE-UP COVER				*		1	
14		SM5030855SN		SCREW				*		1	
15		A3130634000		LOCK NEEDLE THREAD GUIDE				*		1	
16		A31576340A0		THREAD GUIDE(C) (UP.LOOPER)				*		1	
17		A31576340AA		THREAD GUIDE(D) (- LOWER LOOPER)				*		1	
18	R	A3102202000	A3102202000A	NEEDLE THREAD TENSION SHAFT				*		3	1.00
19		B3126352000		TENSION DISC				*		6	
20		A3902634000		UP.LOOP.SPRING				*		1	
21		A3905634000		NEEDLE SPRING				*		1	
22		A3901634000		LOWER LOOP.SPRING				*		1	
23		A3134634000		TENSION NUT				*		3	
24		WP0510516SD		WASHER 5.1X7.5X0.5				*		3	
25		A3104644000A		THREAD ADJUSTING DIAL				*		3	
26		A3106202000		WAVED WASHER				*		3	
27		A3158535000		THREAD ADJUSTING SPRING WASHER				*		3	
28		A3105535000		DIAL PRESER PLATE				*		3	
29		A3109534000		SCREW				*		3	
30		A3900634000		THREAD TAKE-UP SPRING				*		3	
31		A3113623000		SEAL (LOWER LOOPER)						1	
32		A3112623000		SEAL (UPPER LOOPER)						1	
33		A3111623000		SEAL (NEEDLE THREAD)						1	
34		SM5040655SN		SCREW						1	
35		SM5041055SN		SCREW M4X10						1	
36		SM5030855SN		SCREW						1	
37		SM5030655SN		SCREW M3X0.5 L=6						1	
38		A9196524000		CAUTION LABEL (UL/CSA)						1	

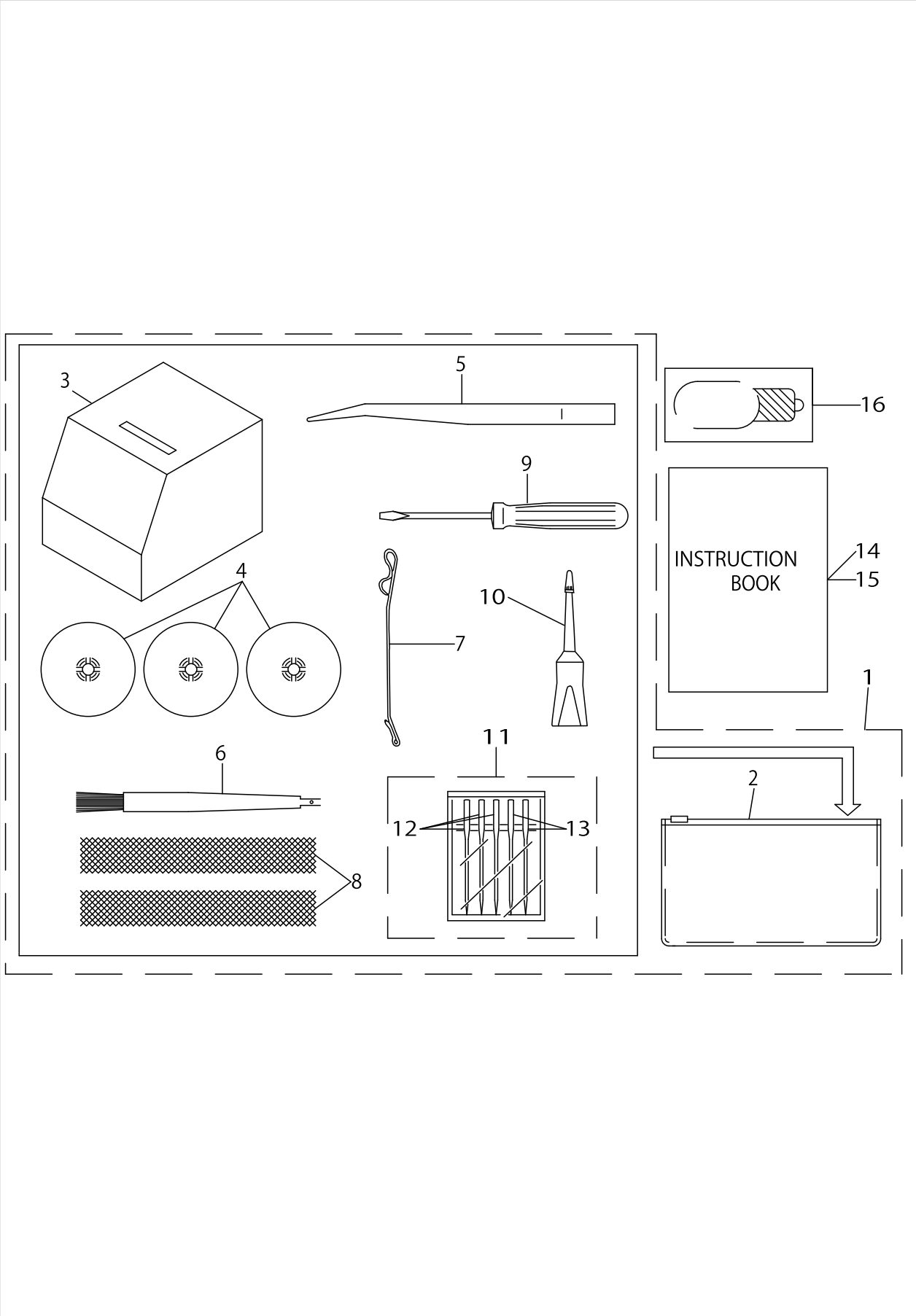
LAMP & MOTOR CONTROLLER COMPONENTS



LAMP & MOTOR CONTROLLER COMPONENTS

No.	Supply Code	Parts No.	Replacement	Parts name	Remarks	Choice	Step	Level	Cons	Qty	Rep. QTY
1		A63016440BC		MOTOR ASM. (SAUDI)						1	
2		A63016440B0A		MOTOR ASM. (UL/CSA)						1	
3		A63016440BAA		MOTOR ASM. (VDE)						1	
4		A63016440BBA		MOTOR ASM. (SAA)						1	
5	R	A6090534000	40176231	CARBON BRUSH (UL/CSA)				*		2	1.00
6		A6010634000A		MOTOR PULLEY (SAUDI)				*		1	
7		A6401634DA0C		FOOT CONT. ASM. (UL/CSA)						1	
8		A64016440AAA		FOOT CONT. ASM. (VDE)						1	
9		A6401634GA0B		FOOT CONT. ASM. (SAA)						1	
10	D	A6401634H00		FOOT CONT. (SAUDI)						1	
11		A6007634000		LAMP HOLDER SUPPORT						1	
12		SM4040655SN		SCREW M4X0.7 L=6						2	
13		SM5030555SC		SCREW						2	
14		SM4040655SN		SCREW M4X0.7 L=6						3	
15		HX00150000B		CABLE CLIP						3	
16		A60066340A0		LAMP HOLDER ASM. (SAUDI)						1	
17	R	A600653401D	A60068000AAA	LAMP HOLDER ASM. (UL/CSA)						1	1.00
18		A60066340ABA		LAMP HOLDER ASM. (VDE)						1	
19		A60066340ABA		LAMP HOLDER ASM. (SAA)						1	
20		A6013535000		LAMP (UL/CSA)				*		1	
21		A6013534C00		LAMP (VDE/SAA)				*		1	
22	R	A6007134E00	A6007134E00A	LAMP (SAUDI)				*		1	1.00
23		EA9500B0200		CABLE BAND 150 (-VDE/SAA/SAUDI)						2	
24		EA9500B0200		CABLE BAND 150 (UL/CSA)						1	
25		SL5040865SN		SCREW						2	
26		A6003535000		MOTOR PROTECTOR						1	

ACCESSORIES PARTS COMPONENTS



ACCESSORIES PARTS COMPONENTS

No.	Supply Code	Parts No.	Replacement	Parts name	Remarks	Choice	Step	Level	Cons	Qty	Rep. QTY
1		A91216230A0		ACCESSORY BAG ASM.						1	
2		A9121503000A		ACCESSORY BAG WITH ZIPPER				*		1	
3		A9102644000		VINYL COVER				*		1	
4		A155098000A		SPOOL RETAINER				*		3	
5		A9109202000		TWEEZERS				*		1	
6	R	A9105334000	40065952	NEEDLE INSERTER TOOL/BRUSH				*		1	1.00
7		A9110335000		LOOPER THREADER				*		1	
8		A9116335000		PLASTIC NET				*		2	
9		A9107800M00		SCREW-DRIVER (SMALL)				*		1	
10		A91041020A0		OILER WITH OIL ASM.				*		1	
11		A91175030A0		NEEDLE SET WITH CASE				*		1	
12		MHA100B1100		NEEDLE HAX1 #11				*		3	
13		MHA100B1400		NEEDLE 130/705H#90				*		2	
14		A915062300A		MANUAL (ENG/FRA/GER/SPA)						1	
15		A915062300B		MANUAL (CZECH/POL/HUNG)						1	
16	R	A6013634HA0	A6013800A00A	LAMP ASM. (SAUDI)						1	1.00

HOW TO MAKE USE OF THIS PARTS LIST

- 1.As to "#01" and "#02" refer to the "Note" given at the bottom of the respective pages.
- 2.Codes on the "Qty" column
 - Each numeral indicates the number of parts required.
 - "0.1" and "2.5" indicate the length (in meters) of the respective parts.
- 3.Parentheses mean that the corresponding part is a subpart that constructs an assembly part.
- 4.Dotted lines on the Figures indicate assembly parts.

NUMERICAL INDEX OF PARTS

PART NO	PAGE	REF NO.	PART NO	PAGE	REF NO.	PART NO	PAGE	REF NO.
A11026440A0	2	45	A1402535000	8	9	A2503776000	12	16
A1102644AA0	4	46	A1403102000	8	3	A2504776000	12	17
A1103644000A	2	20	A1403335000A	8	13	A2505776000	12	18
A1104644000A	2	33	A1404535000	8	11	A2510334000	12	43
A11046440A0A	2	30	A1405513000	8	28	A2512234000	12	39
A1104644A00A	2	34	A14065030A0	8	27	A2514534000C	12	8
A1106644000	2	17	A14065130B0	8	26	A25145340A0B	12	7
A11155030A0	2	10	A1407102000	8	1	A2515534000A	12	10
A11155030B0A	2	9	A1407303000	8	30	A25155340A0B	12	1
A1118623000A	2	3	A1409303000	8	32	A25175030AA	12	23
A1120202000	2	5	A1411335000	8	39	A2517535000	12	25
A1120334000	2	2	A1412535000	8	4	A2518534000	12	32
A11206230A0	2	1	A1413613000	8	5	A25196340A0	14	46
A1121203000	2	4	A14145020A0	8	12	A25205340A0	14	48
A1123535000	4	47	A1501535000	8	17	A25215130A0	12	41
A1124644000	2	18	A15016130B0A	8	36	A2521534000	12	35
A1131203000	2	11	A15016230C0A	8	34	A252633500S	12	27
A1132334000	2	12	A1502535000	8	18	A2529335000	14	50
A1135535000	2	35	A1503634000	8	16	A25303350AS	12	42
A1136314DA0A	2	14	A15045350A0	8	22	A2531534000A	12	37
A1138335000	2	8	A1506644000	8	24	A2535535000	12	30
A1145644000	2	19	A1507535000	8	20	A2536524000	4	55
A1146644000	2	15	A15145350B0	8	35	A2536535000	12	24
A11516230A0B	2	23-24	A1550634000	8	38	A2550534000C	12	21
A1151623A00A	2	26	A155098000A	22	4	A2561777000	12	38
A1151623B00A	2	27	A1612535000	10	24	A31016230A0A	18	5
A1151623BA0B	2	23-24	A1613535000	10	12	A3102202000	18	18
A1152644000B	2	25	A1616535000	10	17	A3103502000	18	7
A11536440A0	4	49	A1617534000A	10	19	A3104644000A	18	25
A1156644000	2	39	A1622535000	10	10	A3105535000	18	28
A1160634000	2	31	A16235350A0	10	5	A3106202000	18	26
A11615350A0	4	59	A1625535000	10	16	A31076230B0	18	9
A1164535000	2	37	A1626535000A	10	8	A3109534000	18	29
A1169634000	4	52	A1627503000	10	14	A3110202000	18	11
A1190623000	4	54	A1628535000A	10	4	A3111623000	18	33
A120153500A	6	2	A1630535000	10	21	A3112623000	18	32
A1202644000	6	6	A1650534000	10	1	A3113623000	18	31
A1205634000	6	9	A1651535000	10	18	A3119503000	18	13
A1206102000	6	5	A1652535000	10	3	A3123644A00A	4	60
A1206202000	6	4	A2112204000	12	33	A3123644B00	4	61
A1206335000	6	1	A2112204000	16	14	A3123644C00	4	62
A1206535000	6	7	A2501534000A	12	13	A3130634000	18	15
A1207503000	10	22	A25015340A0A	12	12	A3134634000	18	23
A1230500000A	6	8	A2502534000A	12	15	A3150535000	2	44
A1401535000A	8	14	A25025340A0A	12	11	A3151535000	2	22

NUMERICAL INDEX OF PARTS

PART NO	PAGE	REF NO.	PART NO	PAGE	REF NO.	PART NO	PAGE	REF NO.
A3151535000	18	6	A6051634000	4	48	SM4030301SC	8	37
A3154634000A	18	1	A6090534000	20	5	SM4030455SP	12	31
A3157535000	18	12	A63016440B0A	20	2	SM4030655SP	10	15
A31576340A0	18	16	A63016440BAA	20	3	SM4030655SP	12	29
A31576340AA	18	17	A63016440BBA	20	4	SM4030655SP	16	29
A3158535000	18	27	A63016440BC	20	1	SM4040655SN	2	42
A3158634000	18	3	A6401634DA0C	20	7	SM4040655SN	8	6
A3161634000	2	41	A6401634GA0B	20	9	SM4040655SN	10	13
A3205555A00	16	22	A6401634H00	20	10	SM4040655SN	14	49
A3900634000	18	30	A64016440AAA	20	8	SM4040655SN	20	14
A3901634000	18	22	A9102644000	22	3	SM4040655SP	16	30
A3902634000	18	20	A91041020A0	22	10	SM4040855SN	2	40
A3905634000	18	21	A9105334000	22	6	SM4850455SN	4	53
A4101503000C	16	7	A9107800M00	22	9	SM4850455SP	8	29
A41016440A0	16	1	A9109202000	22	5	SM5030555SC	20	13
A4102535000	16	9	A9110335000	22	7	SM5030655SN	12	28
A4103535000	16	4	A9116335000	22	8	SM5030655SN	18	37
A4105776000A	16	12	A91175030A0	22	11	SM5030855SN	16	20
A4106535000	16	5	A9121503000A	22	2	SM5030855SN	18	36
A41075020A0	16	10	A91216230A0	22	1	SM5032555SE	4	57
A4108535000	16	16	A915062300A	22	14	SM5040655SN	4	56
A41215240A0	16	23	A915062300B	22	15	SM5040655SN	18	34
A4123335000	16	26	A9196524000	4	58	SM5040855SN	2	50
A4124335000	16	28	A9196524000	18	38	SM5040855SN	4	50
A4125524000	16	33	B3126352000	18	19	SM5040855SN	8	23
A4130524000	16	18	EA9500B0200	20	24	SM5041055SN	18	35
A4131524000	16	19	HX00150000B	20	15	SM5043755SC	2	6
A4132524000	16	35	MHA100B1100	8	33	SM5051255SN	2	63
A4133524000	16	36	MHA100B1100	22	12	SM5051255SN	4	63
A4136524000	16	21	MHA100B1400	22	13	SM6051002TP	16	6
A4139655000	16	32	PS0200202KH	18	10	SM8030402TP	16	13
A4142335000	16	3	PS0400222KH	6	3	SM8040302TP	10	6
A4145335000	16	25	RE0500000K0	8	25	SM8040402TP	8	31
A4147535000	16	31	RE0500000K0	10	27	SM8040402TP	10	25
A4149535000	16	24	RE0600000K0	8	7	SM8040402TP	12	45
A6003535000	20	26	RE0600000K0	12	36	SM8040402TP	16	34
A600653401D	20	17	RE0600000K0	16	17	SM8040602TP	10	23
A60066340A0	20	16	RE0600000K0	16	38	SM8040602TP	12	20
A60066340ABA	20	19	SL4030631SC	16	37	SM8050402TP	8	19
A6007134E00	20	22	SL4040831SF	2	21	SM8050602TP	8	15
A6007634000	20	11	SL5031031SN	2	16	SM8050602TP	12	40
A6010634000A	20	6	SL5040865SN	2	29	SM8050842TP	2	43
A6013534C00	20	21	SL5040865SN	20	25	SM8060602TP	8	2
A6013535000	20	20	SM1030601SP	16	11	SM9040700SP	16	2
A6013634HA0	22	16	SM4020351SC	2	13	SM9050850SP	12	44

NUMERICAL INDEX OF PARTS

PART NO	PAGE	REF NO.
SM9051400SN	12	26
ST4861051SN	10	7
ST5031051SN	18	4
ST5041051SN	2	51
ST5041051SN	4	51
WP0380516SD	18	8
WP0510516SD	18	24
WP0641600SD	10	26
WP0820516SP	8	8
WP0820516SP	12	34
WP8020516SP	16	15
WZ0430200KP	10	2