

MODEL : AB-1360

List No : 1680-00

# PARTS LIST

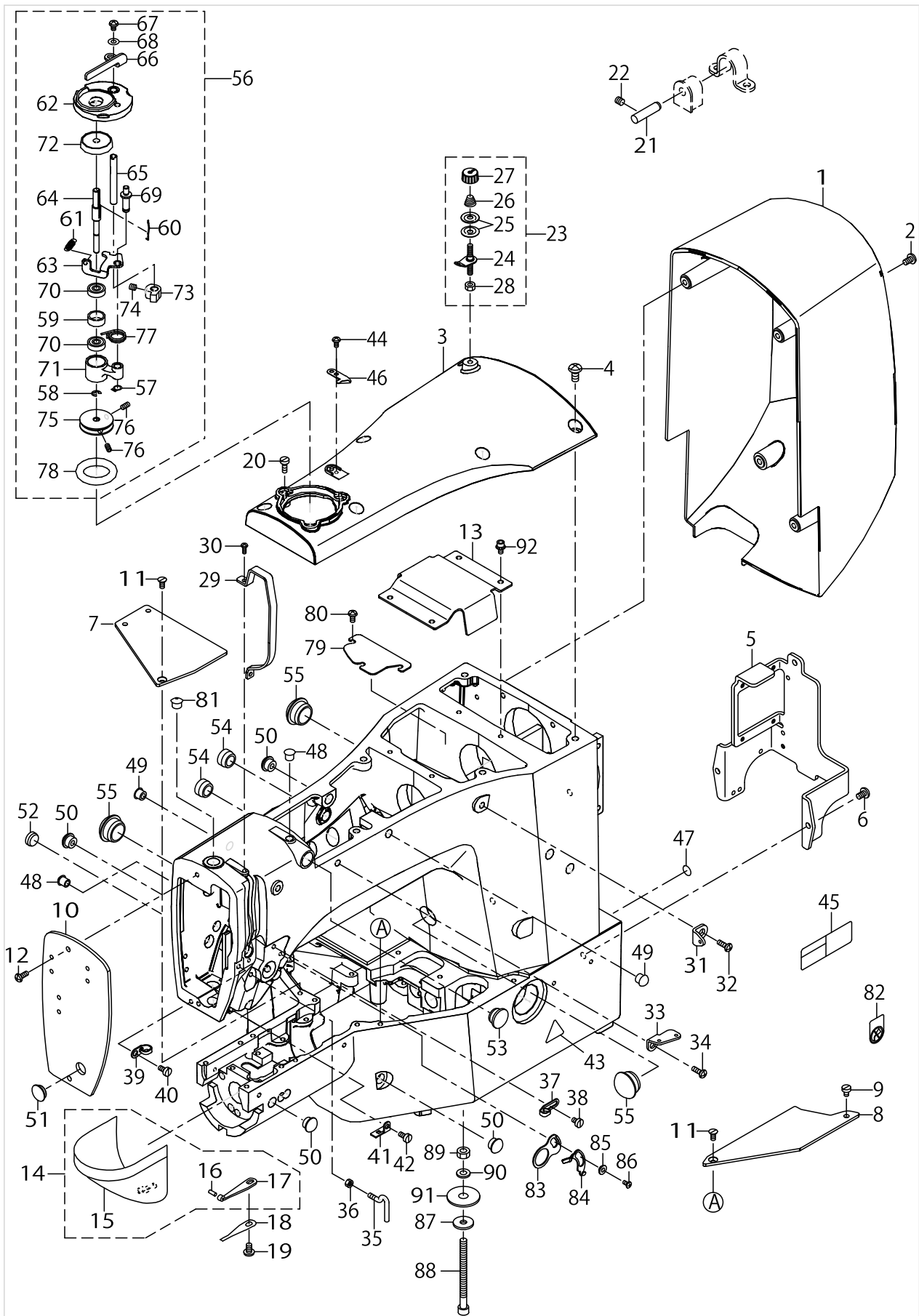
Published:05/12/2017

## CONTENTS

---

FRAME & MISCELLANEOUS COVER COMPONENTS (1) .....	1
FRAME & MISCELLANEOUS COVER COMPONENTS (2) .....	7
MAIN SHAFT & NEEDLE BAR COMPONENTS .....	9
PRESSER LIFTER & WIPER COMPONENTS .....	13
SHUTTLE DRIVER SHAFT COMPONENTS.....	17
THREAD TENSION COMPONENTS .....	21
THREAD TRIMMER MECHANISM COMPONENTS.....	25
FEED MECHANISM COMPONENTS.....	29
CLOTH FEED COMPONENTS .....	33
TC CLAMP COMPONENTS .....	37
SENSOR COMPONENTS .....	39
THREAD STAND COMPONENTS.....	41
TABLE STAND COMPONENTS .....	43
LOOP PULL SUPPORT COMPONENTS.....	47
CONTROL BOX COMPONENTS .....	49
WIRING DIAGRAM.....	51
OPERATION PANEL COMPONENTS .....	55
ACCESSORIES PARTS COMPONENTS .....	57
MECHANISM & MISCELLANEOUS COVER COMPONENTS.....	59
Y MOVEMENT COMPONENTS.....	63
X MOVEMENT COMPONENTS.....	65
LOOP CLAMP COMPONENTS.....	69
FORK COMPONENTS .....	73
HEAT CUTTER COMPONENTS.....	77
LOOP LOOSENER COMPONENTS .....	79
CLAMP FEED COMPONENTS.....	81
SUB TABLE COMPONENTS .....	85
OPTIONAL PARTS COMPONENTS.....	87
HOW TO MAKE USE OF THIS PARTS LIST .....	89

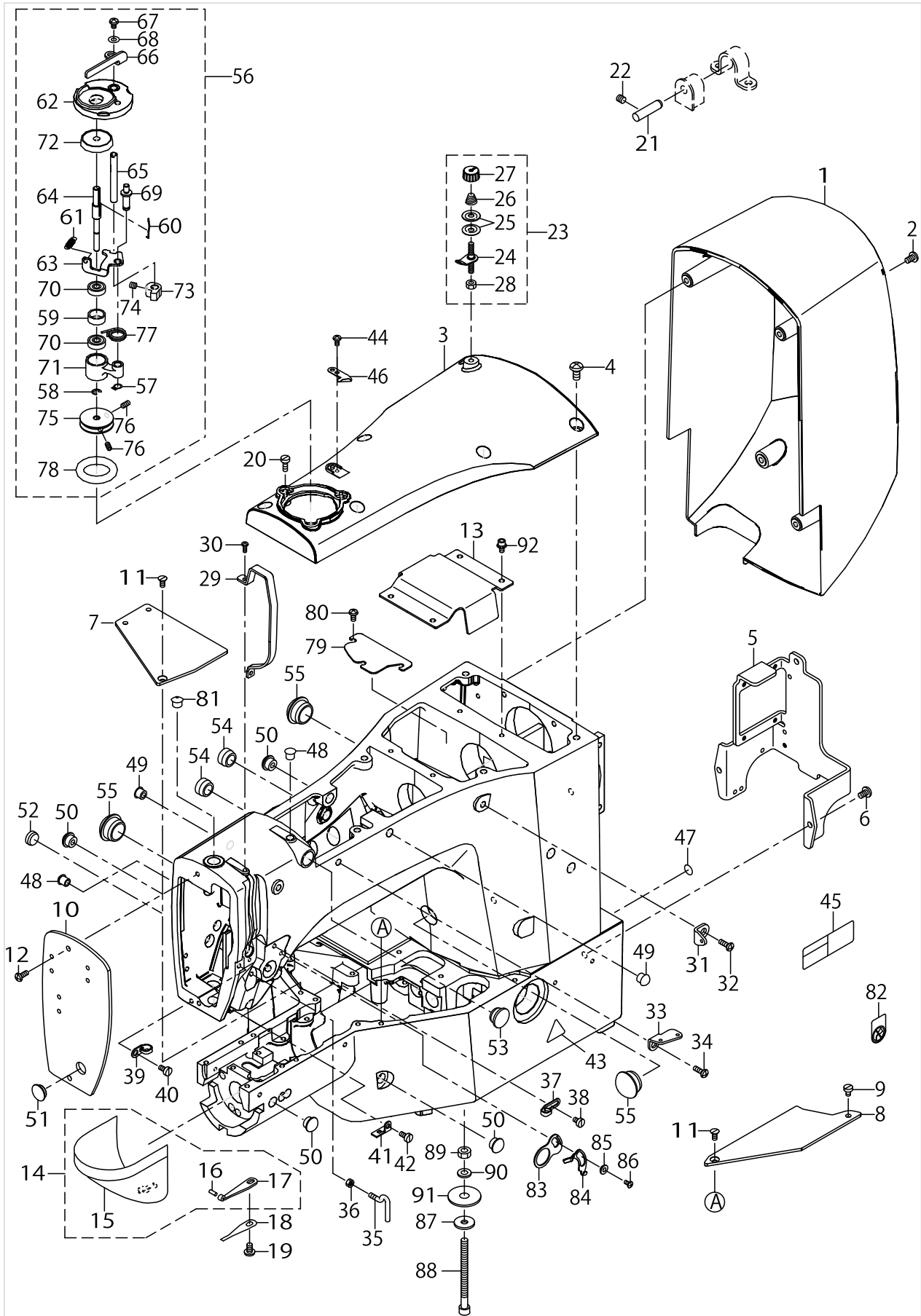
FRAME & MISCELLANEOUS COVER COMPONENTS (1)



FRAME & MISCELLANEOUS COVER COMPONENTS (1)

No.	Supply Code	Parts No.	Replacement	Parts name	Remarks	Choice	Step	Level	Cons	Qty	Rep. QTY
1		40006475		MOTOR COVER						1	
2		SM5040855SN		SCREW						4	
3		40006478		UPSIDE COVER						1	
4		SM4061255SP		SCREW M6 L=12						6	
5		40010404		PROTECTION PLATE						1	
6		SM4050855SP		SCREW						3	
7		70005238		BET_COVER_LEFT						1	
8		40076004		BET COVER RIGHT						1	
9		SM6040650TP		SCREW M4 L=6						1	
10		40112387		FACE PLATE						1	
11		SM1040650TP		SCREW						2	
12		SM4041055SP		SCREW						2	
13		40010405		CRANK ROD COVER						1	
14		40104918		CYLINDER ARM CAP ASM.						1	
15	R	13816855	40142674	CYLINDER ARM CAP				*		1	1.00
16		13508700		HOOK COVER PRESSER SPRING PIN				*		1	
17		26221101		HOOK COVER PRESSER SPRING A				*		1	
18		26221200		HOOK COVER PRESSER SPRING B						1	
19		SM5040855SN		SCREW						1	
20		SM6041150TP		SCREW M4 L=11						3	
21		40009290		HINGE STUD						2	
22		SM8060612TP		SCREW M6 L=6						4	
23		14113468		BOBBIN THREAD TENSION ASM.						1	
24		14113450		BOBBIN THREAD TENSION ROD ASM.				*		1	
25	R	B3126012000	22921506	THREAD TENSION DISK				*		2	1.00
26		D7133555B00		CONNECTING ROD SPRING				*		1	
27		11072402		THREAD TENSION NUT				*		1	
28		NS6110310SP		NUT 11/64-40				*		1	
29		26211607		BALANCE COVER						1	
30		SM4030855SN		SCREW M3 L=8.0						2	
31		40010414		THREAD GUIDE NO.1						1	
32		SM4061255SP		SCREW M6 L=12						1	
33		26211904		THREAD GUIDE PLATE						1	
34		SM4061255SP		SCREW M6 L=12						1	
35		40010571		L SHAPED THREAD GUIDE A						1	
36		NM6040000SN		NUT M4						1	
37		22920508		ARMTHREADGUIDEA						1	
38		SM6040650TP		SCREW M4 L=6						1	
39		13705108		TAKE-UP THREAD GUIDE B						1	
40		SM6040860TP		SCREW M4 L=8						1	
41		B1129210000		FRAME THREAD GUIDE(B)						1	
42		SM6040860TP		SCREW M4 L=8						1	
43		CM300200002		CAUTION LABEL(25)						1	
44		SM4030601SN		SCREW M3X6						1	
45		40102261		SAFETY LABEL S						1	

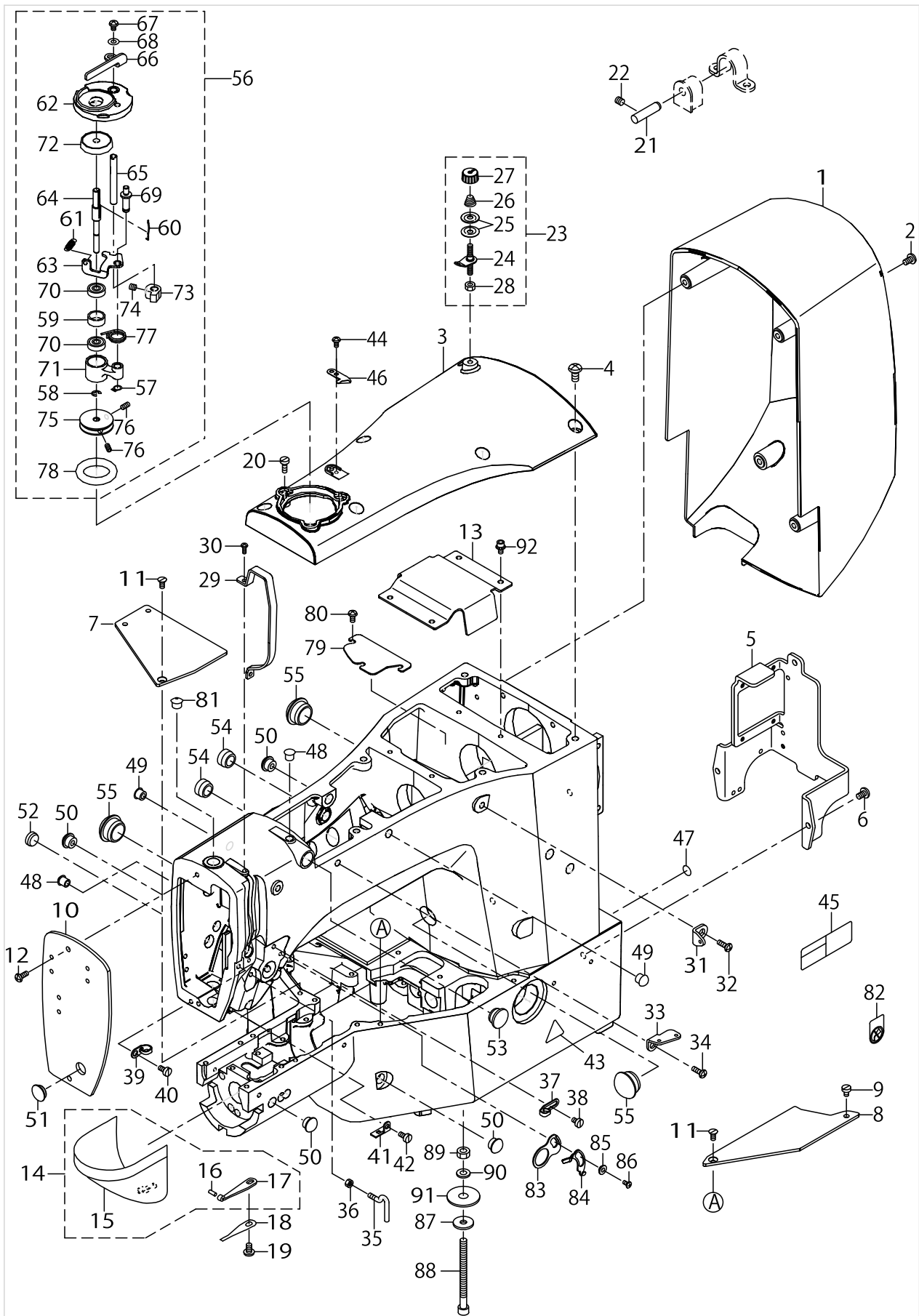
FRAME & MISCELLANEOUS COVER COMPONENTS (1)



FRAME & MISCELLANEOUS COVER COMPONENTS (1)

No.	Supply Code	Parts No.	Replacement	Parts name	Remarks	Choice	Step	Level	Cons	Qty	Rep. QTY
46		10502300		THREAD CUTTER						1	
47		22901805		GROUND MARK						1	
48		TA0750704R0		RUBBER PLUG						2	
49		TA0850604R0		RUBBER PLUG						2	
50		TA1050504R0		RUBBER PLUG						4	
51		TA1250406R0		RUBBER PLUG D=12.5 L=4						1	
52		TA1270502R0		RUBBER PLUG						1	
53		TA1470704R0		RUBBER PLUG						1	
54		TA1550902R0		PLUG						2	
55		TA2100904R0		RUBBER PLUG						3	
56		26260000		BOBBINWINDERUNIT						1	
57		RC0560711KP		RETAINING RING				*		1	
58		RE0400000K0		E-RING 4				*		1	
59	R	26260802	26260000	BTW BEARING SPACER				*		1	1.00
60		26261602		BOBBIN SPRING				*	☆	1	
61		26261701		BTW SPRING				*		1	
62	R	26260109	26260000	BTW BASE				*		1	1.00
63		26260208		BTW CAM PLATE				*		1	
64		26260901		BTW SHAFT				*		1	
65		26261008		BTW LEVER SHAFT				*		1	
66		26261107		BTW LEVER				*		1	
67		SM5040655SN		SCREW				*		1	
68		WP0450826SC		WASHER 4.5X10X0.8				*		1	
69		26260307		BTW BASE SHAFT				*		1	
70	R	26261305	26260000	BTW BEARING				*		2	1.00
71		26260406		BTW SHAFT BASE				*		1	
72		26261206		BTW SPACER				*		1	
73		26260505		BTW CAM LEVER				*		1	
74		SM8050502TP		SCREW M5 L=5				*		1	
75		26260604		BTW WHEEL				*		1	
76		SM8040802TP		SCREW M4X8				*		2	
77		26260703		BTW TORSION SPRING				*		1	
78		26261503		BTW WHEEL RUBBER				*	☆	1	
79		40011928		CRANK ROD UNDER COVER						1	
80		SM5040855SN		SCREW						2	
81		22901409		NEEDLE BAR UPPER BUSH CAP						1	
82		CM100100001		OIL INJECTION PROHIBITION LABEL						1	
83		40028834		GUIDE PLATE						1	
84		40090646		THB SENSOR CABLE ASSY						1	
85		40028835		BUSHING						1	
86		SM0030601SC		SCREW M3X0.5 L=6						1	
87		WP0612056SD		WASHER 6.1X18.5X2						1	
88		SM6067552TP		HEXAGONAL-HOLE BOLT M6 L=75						1	
89		NM6060001SC		NUT M6						1	
90		WS0610002KN		SPRING WASHER 6.1X12.2X1.5						1	
91		WP0852086SC		WASHER M8						1	

FRAME & MISCELLANEOUS COVER COMPONENTS (1)

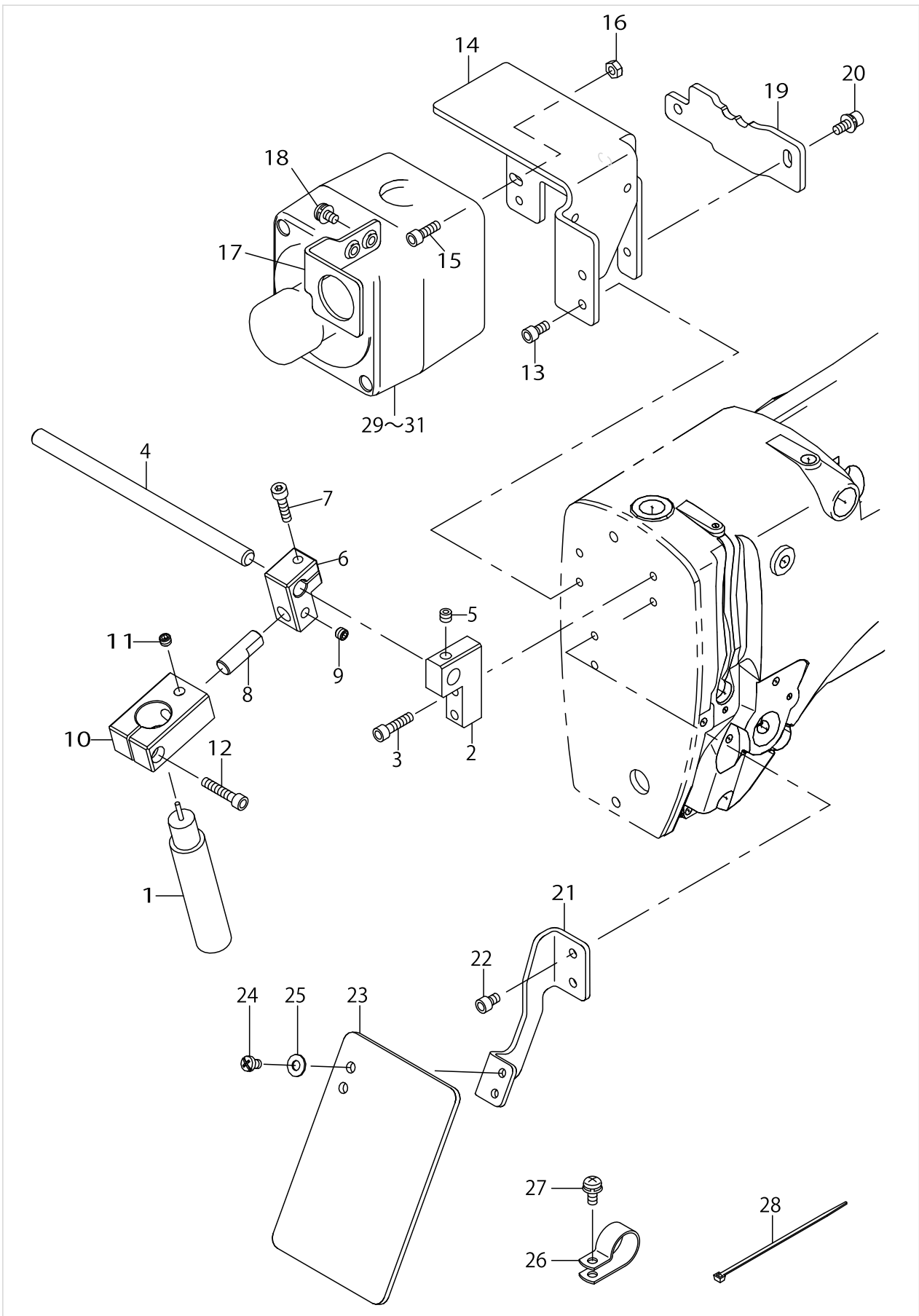


FRAME & MISCELLANEOUS COVER COMPONENTS (1)

No.	Supply Code	Parts No.	Replacement	Parts name	Remarks	Choice	Step	Level	Cons	Qty	Rep. QTY
92		SL6040892TN		BOLT						4	



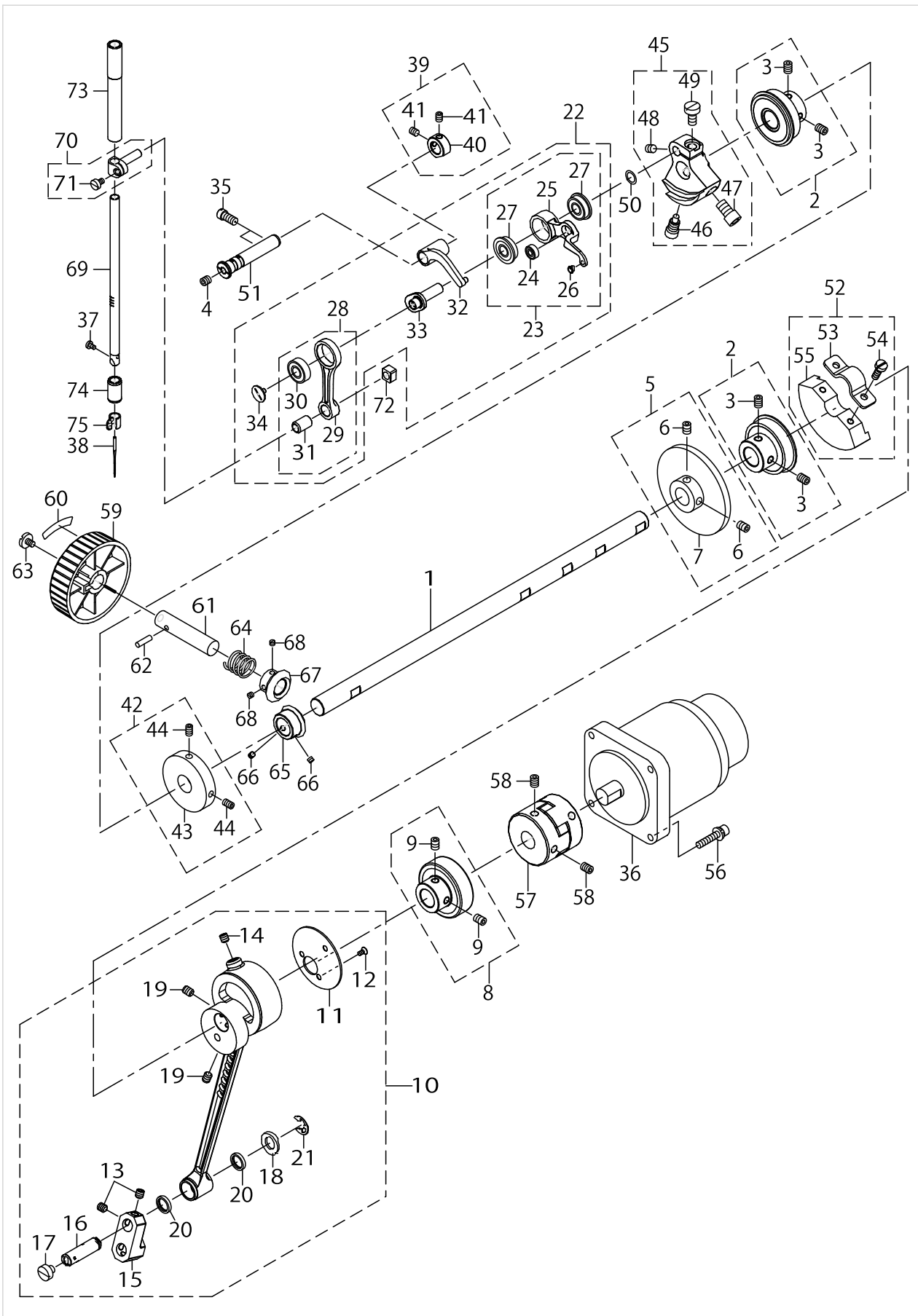
FRAME & MISCELLANEOUS COVER COMPONENTS (2)



FRAME & MISCELLANEOUS COVER COMPONENTS (2)

No.	Supply Code	Parts No.	Replacement	Parts name	Remarks	Choice	Step	Level	Cons	Qty	Rep. QTY
1		40090637		LED MARKING						1	
2		40091171		MARKER FIXED ROD HOLDER						1	
3		SM6041602TP		SCREW M4X0.7 L=16						2	
4		20104402		HANDLE						1	
5		SM8050412TP		SCREW M5 L=4						1	
6		40091172		MARKER FIXED BLOCK						1	
7		SM6041602TP		SCREW M4X0.7 L=16						1	
8		40091173		MARKER FIXED SUB ROD						1	
9		SM8050412TP		SCREW M5 L=4						1	
10		40067813		MARKER BRACKET						1	
11		SM8050412TP		SCREW M5 L=4						1	
12		SM6042002TP		SCREW M4X0.7 L=20						1	
13		SM6040802TP		SCREW M4X0.7 L=8						2	
14		40091334		OFF SW BOX BRACKET						1	
15		SM6041202TP		SCREW M4X0.7 L=12						2	
16		NM6040001SC		NUT M4						2	
17		40091335		OFF SW BOX GND PLATE						1	
18		SL4040891SC		SCREW M4 L=8						2	
19		40091336		OFF SW SUB BRACKET						1	
20		SL6041092TN		SCREW						2	
21		40091930		SAFTETY BRACKET						1	
22		SM6040802TP		SCREW M4X0.7 L=8						2	
23		26037200		SAFETY PLATE						1	
24		SM4040655SP		SCREW M4 L=6						2	
25		WP0450801SD		WASHER 4.5X10X0.8						2	
26		HX00150000H		CABLE CLIP						2	
27		SL4041091SC		SCREW M4 L=10						2	
28		EA9500B0100		CABLE BAND						2	
29		HA006280000		SWITCH						1	
30		HA006280010		SWITCH COVER						1	
31		HA006280020		SWITCH PLATE						1	

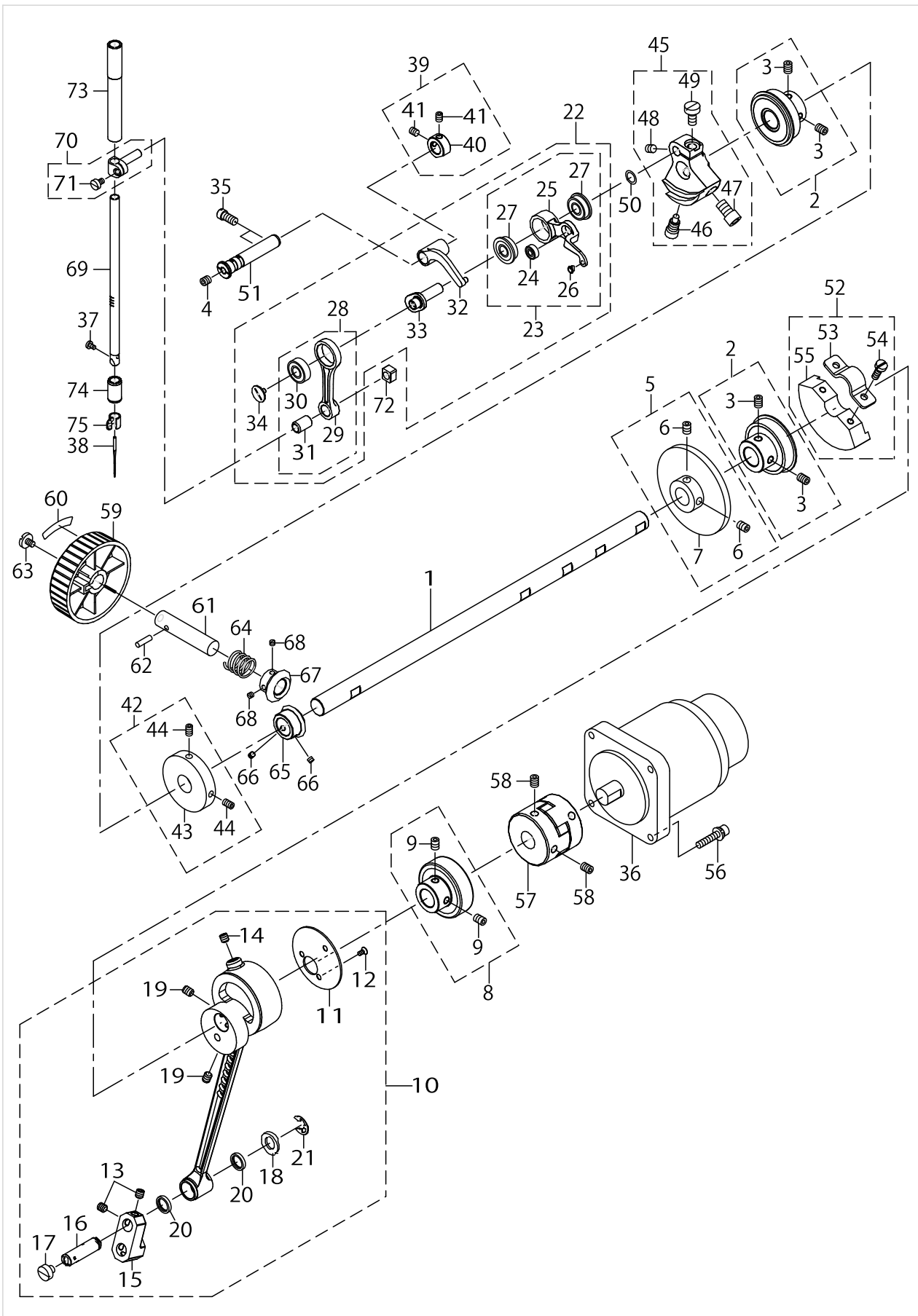
MAIN SHAFT & NEEDLE BAR COMPONENTS



MAIN SHAFT & NEEDLE BAR COMPONENTS

No.	Supply Code	Parts No.	Replacement	Parts name	Remarks	Choice	Step	Level	Cons	Qty	Rep. QTY
1		40010572		MAIN SHAFT						1	
2		40110836		FRONT BEARING BUSH ASM.						2	
3		40010417		BEARING BUSH SCREW				*		2	
4		SM80606A2TP		SCREW M6 L=6						1	
5		40111911		MAIN SHAFT WHEEL ASM.						1	
6		40010417		BEARING BUSH SCREW				*		2	
7		40111425		MAIN SHAFT WHEEL				*		1	
8		40110838		BACK BEARING BUSH ASM.						1	
9		40010417		BEARING BUSH SCREW				*		2	
10		40112990		CRANK ROD ALL ASM.						1	
11		40110825		CRANK ROD SUPPORT PLATE				*		1	
12		SM1030601SP		SCREW M3 L=6				*		3	
13		SM8480652TP		SCREW				*		2	
14		SM8480652TP		SCREW				*		1	
15		40112993		OSCILLATOR ARM				*		1	
16	R	40030939	40089367	OSCILLATOR PIN				*		1	1.00
17		SM6060550TP		SCREW M6 L=4.5				*		1	
18		40026818		WASHER				*		1	
19		SM8060812TP		SCREW M6 L=8				*		2	
20		10108009		OIL SEAL				*		2	
21		RE0800000K0		E-SHAPED SNAP RING (8MM)				*		1	
22		40006923		THREAD TAKE UP B COMPL.						1	
23	R	40006924	40006923	THREAD TAKE UP LEVER B ASM.				*		1	1.00
24		SB104001600		BEARING				*		1	
25	R	40006925	40006923	THREAD TAKE UP LEVER B				*		1	1.00
26		B1908505000		THREAD PASS BUSH				*		1	
27		SB108002200		BEARING				*		2	
28		40006534		NEEDLE BAR CRANK ROD ASM.				*		1	
29	R	40006535	40006534	NEEDLE BAR CRANK ROD				*		1	1.00
30		SB108002300		BEARING				*		1	
31	R	22891006	22890958	NEEDLE BAR CRANK ROD METAL		A	DDL-5700N	*		1	1.00
31	R	22891006	23622251	NEEDLE BAR CRANK ROD METAL		B	DDL-9000,- DP-2100,DLN-9010	*		1	1.00
31	R	22891006	40078106	NEEDLE BAR CRANK ROD METAL		C	AMS- /IP-- 420,AMS-220EN	*		1	1.00
31	R	22891006	40006534	NEEDLE BAR CRANK ROD METAL		D	LK- ,AMS-- /IP-410,A- MS-210E,AB-1351	*		1	1.00
32		40006532		THREAD TAKE UP CRANK				*		1	
33	R	40006926	40006923	NEEDLERODCRANKB				*		1	1.00
34		B1903552000		LEFT SCREW				*		1	
35		40010470		SHUTTLE ASM. SCREW						2	
36		40028015		AC SERVO MOTOR						1	
37		SM7030550TP		SCREW M3 L=4.5					☆	1	
38		MDP170B1400		NEEDLE DPX17 #14					☆	1	
39		40110841		THRUST COLLAR ASM.						1	
40		40110842		THRUST COLLAR				*		1	
41		SM80506A2TP		SCREW M5 L=6				*		2	

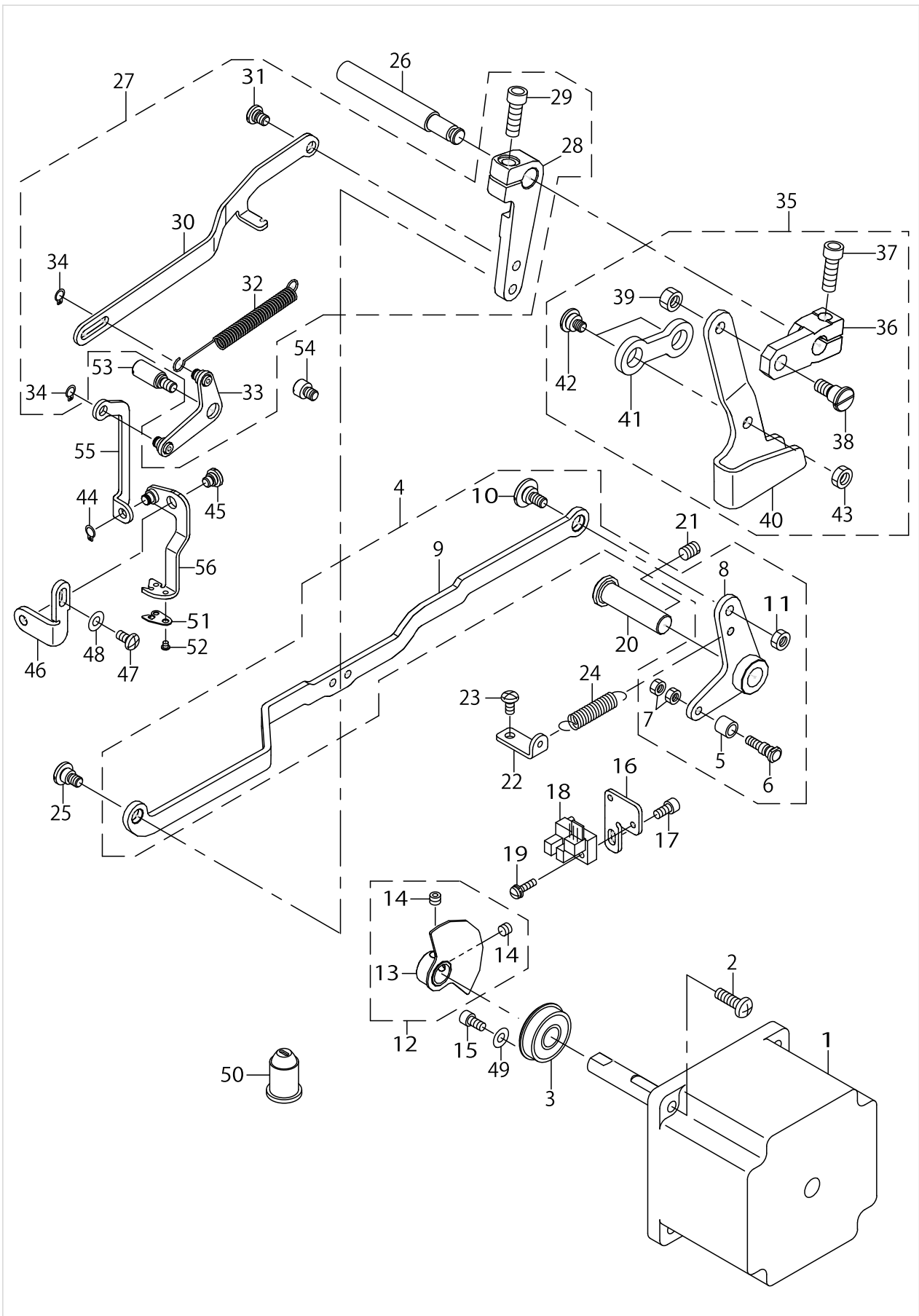
MAIN SHAFT & NEEDLE BAR COMPONENTS



MAIN SHAFT & NEEDLE BAR COMPONENTS

No.	Supply Code	Parts No.	Replacement	Parts name	Remarks	Choice	Step	Level	Cons	Qty	Rep. QTY
42		40010533		BTW DRIVING WHEEL ASM.						1	
43	R	40010534	40010533	BTW DRIVING WHEEL				*		1	1.00
44		40010535		DRIVING WHEEL SCREW				*		2	
45		40010428		COUNTER WEIGHT B ASM.						1	
46		40010424		COUNTER WEIGHT SCREW A				*		1	
47		40010425		COUNTER WEIGHT SCREW B				*		1	
48		40010426		COUNTER WEIGHT SCREW C				*		1	
49		40010427		COUNTER WEIGHT SCREW D				*		1	
50		WP0820516SP		WASHER 11.6X8.2X0.6						1	
51		40112861		THREAD_TAKE_UP_- CRANK_SHAFT_D						1	
52		40110812		CRANK BALANCER ASM.						1	
53		40010439		CRANK BALANCER FIX PLATE				*		1	
54		40010440		CRANK BALANCER FIX PLATE SCREW				*		2	
55		40110813		CRANK BALANCER				*		1	
56		SL6052592TN		BOLT						4	
57	R	23604309	40051473	COUPLING						1	1.00
58		SM8060812TP		SCREW M6 L=8						4	
59		B1212210D00		PULLEY						1	
60		B1144210000		REVOLVING DIRECTION LABEL						1	
61		26500306		HAND PULLEY SHAFT						1	
62		PS0400142KH		SPRING PIN 4X14						1	
63	D	A123050000A		SET-SCREW						1	
64		GAF01007000		SPRING						1	
65		40006515		GEAR A						1	
66		SM8040310SS		SCREW M4 L=3						2	
67		40006516		GEAR B						1	
68		SM8040310SS		SCREW M4 L=3						2	
69		40010573		NEEDLE BAR						1	
70		B14115520A0		NEEDLE BAR CONNECTING ASM.						1	
71		SS6090670TP		SCREW 9/64-40 L=6				*		1	
72		B1414555000		SLIDE BLOCK						1	
73		40010441		NEEDLE ROD METAL						1	
74		40010442		NEEDLE ROD LOWER METAL						1	
75		40010574		THREAD GUIDE						1	

PRESSER LIFTER & WIPER COMPONENTS

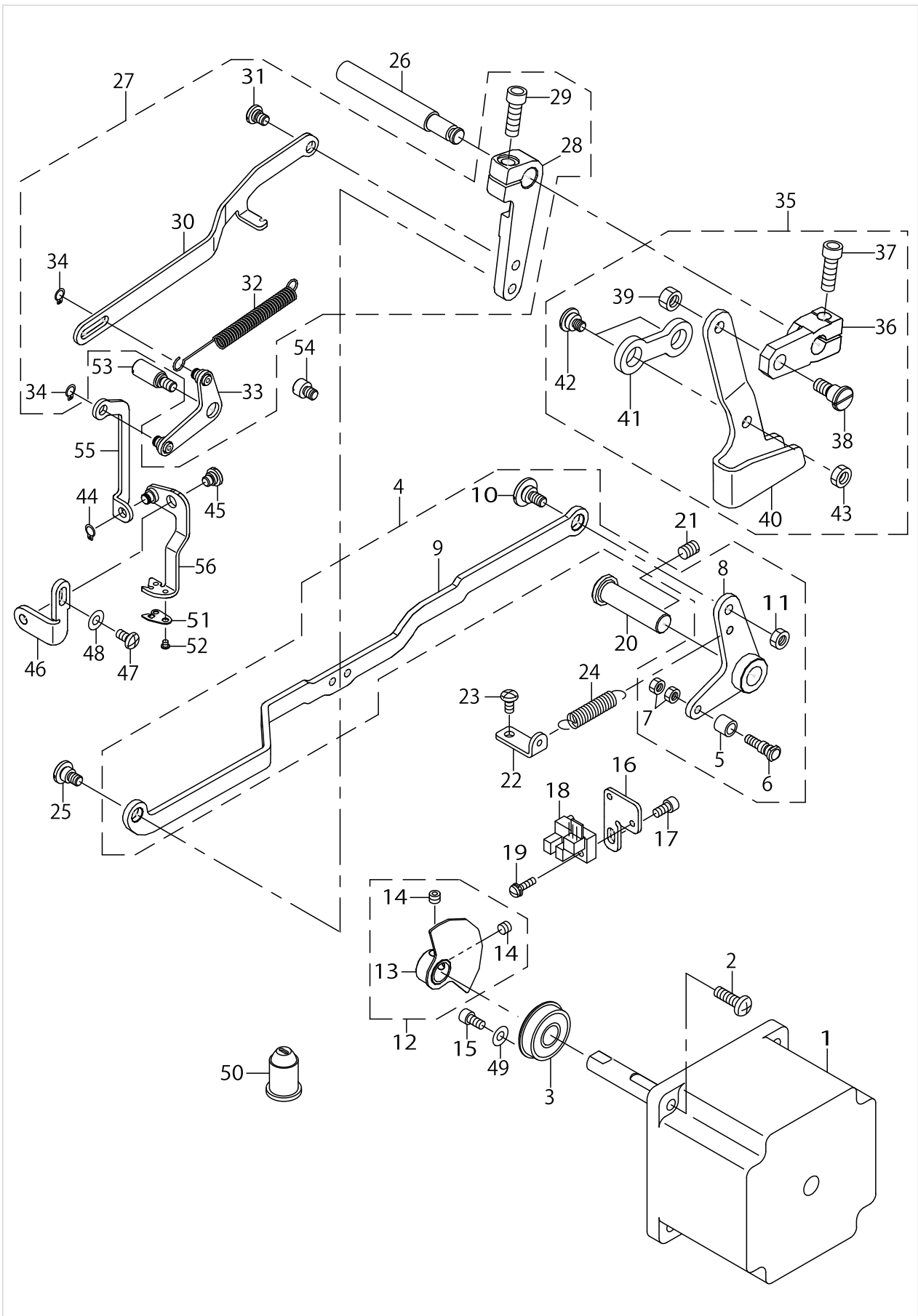


PRESSER LIFTER & WIPER COMPONENTS

No.	Supply Code	Parts No.	Replacement	Parts name	Remarks	Choice	Step	Level	Cons	Qty	Rep. QTY
1		40090628		PRESSER LIFT MOTOR						1	
2		SM4051655SP		SCREW M5 L=16						4	
3		SB110002400		BEARING						1	
4		40104902		LIFTER_LINK_ASM						1	
5		40004254		UTT CAM ROLLER				*		1	
6		40040256		CAM ROLLER SHAFT				*		1	
7		NM6040001SP		NUT M4X0.7				*		2	
8		40006661		LIFTER LINK A ASM.				*		1	
9		40006665		LIFTER LINK B				*		1	
10		SD0800327TP		HINGE SCREW D=8 H=3.2				*		1	
11		NM6050001SP		NUT M5				*		1	
12		40104921		PF_SENSOR_SLIT_ASSY						1	
13		40006666		SENSOR SLIT ASM.				*		1	
14		SM8050402TP		SCREW				*		2	
15		SM6040802TP		SCREW M4X0.7 L=8						1	
16		40010443		SENSOR INSTALLING BASE						1	
17		SM6040802TP		SCREW M4X0.7 L=8						1	
18		HD00057000A		PHOTO SENSOR						1	
19		SL4031291SC		SCREW M3X12						1	
20		40006716		THREAD TRIMMER SHAFT						1	
21		SM8060812TP		SCREW M6 L=8						1	
22		40023831		SPRING RACK						1	
23		SM4040855SP		SCREW						1	
24		26226209		SPRING						1	
25		SD0700406TP		HINGESCREWD=7H=4						1	
26		40083882		CONNECTING SHAFT						1	
27		40104899		WIPER_CONNECTING_ARM_ASM_ST						1	
28		40006671		CONNECTING ARM				*		1	
29		SM6061802TP		SCREW M6 L=18				*		1	
30		40010460		WIPER CONNECTING LINK				*		1	
31		SD0600206TP		HINGESCREWD=6H=2				*		1	
32		26218008		SPRING				*		1	
33		40010451		WIPER CONNECTING ARM ASM.				*		1	
34		RC0470611KP		RETAINING RING 4.7				*		2	
35		40104898		LOWERING ARM_ASM						1	
36		40008693		LOWERING ARM				*		1	
37		SM6061802TP		SCREW M6 L=18				*		1	
38		SD0790606TP		HINGE SCREW D=7.94 H=6				*		1	
39		NM6060001CP		NUT M6				*		1	
40		40010450		LOWERING FOOT				*		1	
41		14104400		CONNECTING LINK				*		1	
42		SD1000406TP		HINGE SCREW D=10 H=4				*		2	
43		NM6060003SC		NUT M6				*		1	
44		RC0470611KP		RETAINING RING 4.7						1	
45		SD0640216TP		HINGE SCREW D=6.35 H=2.1						1	
46		40006678		WIPER BASE PLATE						1	



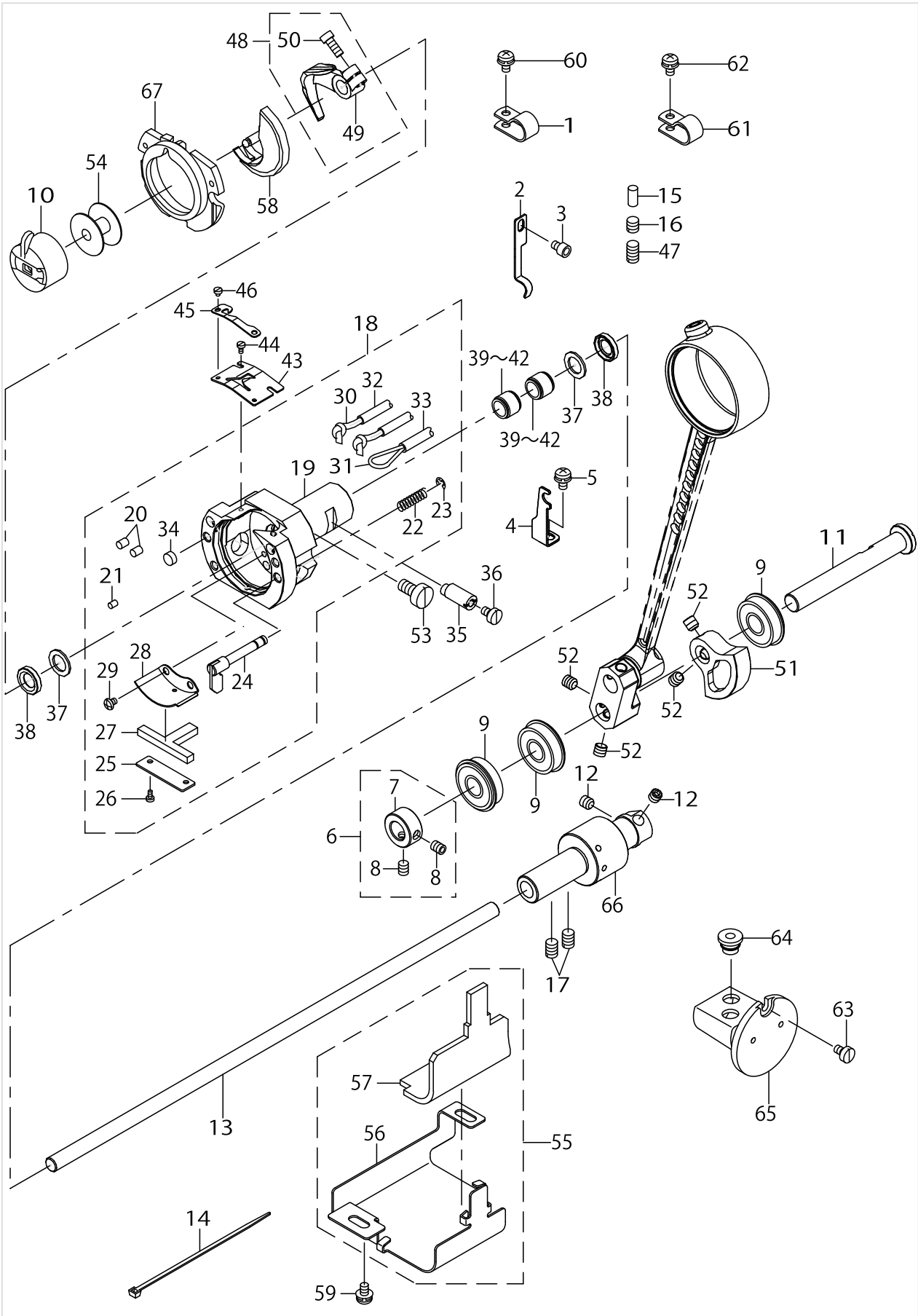
PRESSER LIFTER & WIPER COMPONENTS



PRESSER LIFTER & WIPER COMPONENTS

No.	Supply Code	Parts No.	Replacement	Parts name	Remarks	Choice	Step	Level	Cons	Qty	Rep. QTY
47		SM4040855SP		SCREW						1	
48		WP0450801SP		WASHER						1	
49		WP0450801SP		WASHER						1	
50		13509807		OIL SHIELD CAP						1	
51		40091929		WIPER PLATE A					☆	1	
52		SS5060310SP		SCREW 3/32-56 L=2.8					☆	1	
53		40010455		WIPER CONNECTING LINK SHAFT						1	
54		40010457		WIPER STOPPER						1	
55		40006937		WIPER CONNECTING PLATE B						1	
56		40033047		WIPER ASM.						1	

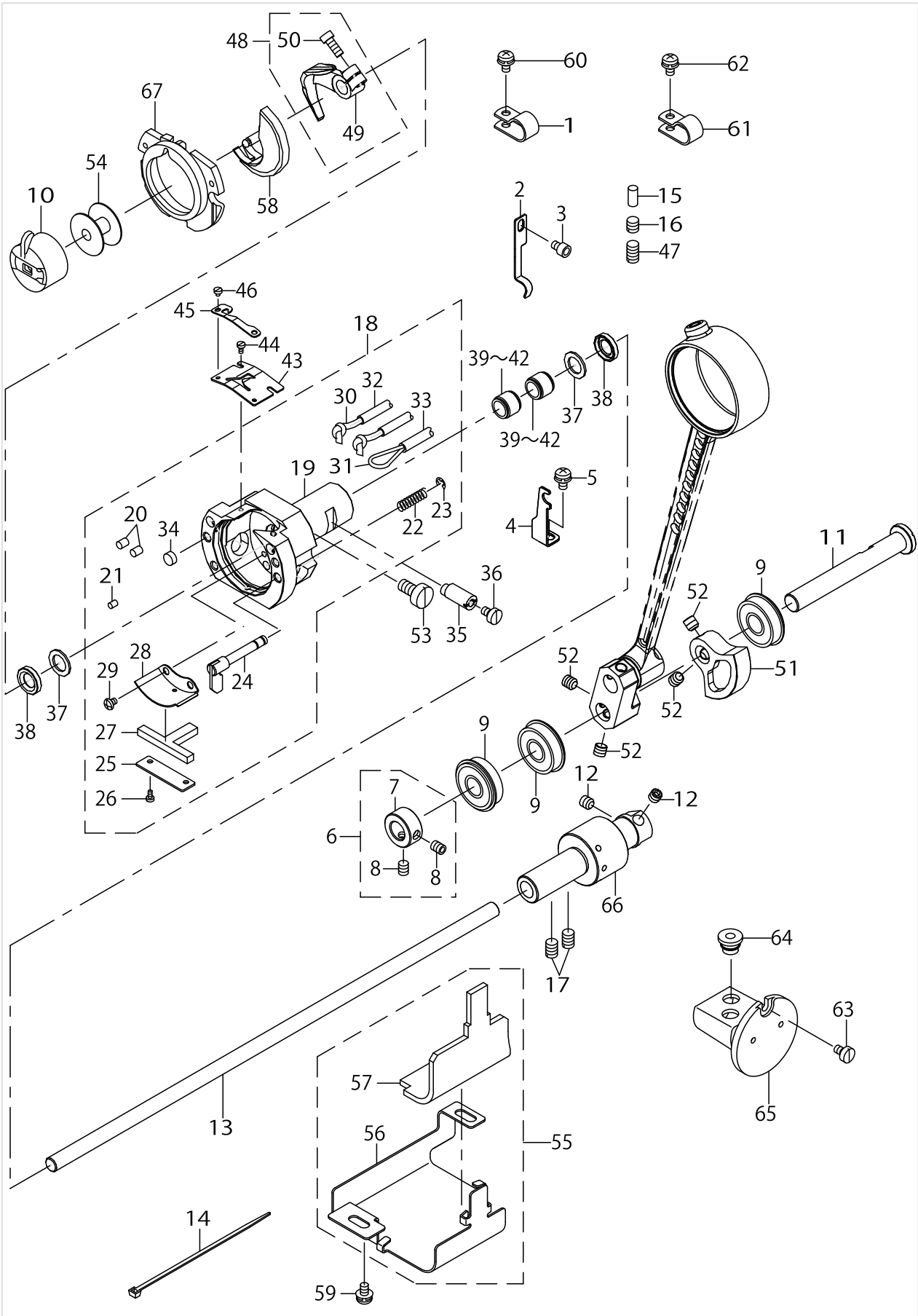
SHUTTLE DRIVER SHAFT COMPONENTS



SHUTTLE DRIVER SHAFT COMPONENTS

No.	Supply Code	Parts No.	Replacement	Parts name	Remarks	Choice	Step	Level	Cons	Qty	Rep. QTY
1		HX00150000D		CABLE CLIP						1	
2		40012127		OIL PIPE HOLDER						1	
3		SM6040502TP		SCREW M4X0.7 L=5						1	
4		40013721		TUBE CLAMP						1	
5		SL4040891SC		SCREW M4 L=8						1	
6		40010464		THRUST COLLAR ASM.						1	
7	R	40010467	40010464	THRUST COLLAR				*		1	1.00
8		40010469		THRUST COLLAR SCREW				*		2	
9		SB110002400		BEARING						3	
10		B18289800BB		BOBBIN CASE ASM. (RACING PREVE)					☆	1	
11		40112994		OSCILLATOR SHAFT						1	
12		SM8060612TP		SCREW M6 L=6						2	
13		40010575		LOWER SHAFT						1	
14		EA9500B0100		CABLE BAND						2	
15		40006578		OIL WICK PRESSER						1	
16		SM8060610TP		SCREW						1	
17		SM8060812TP		SCREW M6 L=8						2	
18	R	40006573	40110858	SHUTTLE ASM.						1	1.00
19		40089365		SHUTTLE				*		1	
20		B1820210D00		SHUTTLE OIL FELT A				*		2	
21		B1821210D00		SHUTTLE OIL FELT B				*		1	
22		B1822215P00		INNER HOOK PRESSER SPRING				*		2	
23		RE0300000K0		E-RING 3				*		2	
24		26501858		INNER-HOOK-PRESSER ASM.				*		2	
25		14104004		ONCE THROUGH OIL FELT PRESSER				*		1	
26		SM6020460TP		SCREW M2 L=3.5				*		2	
27		14103907		SHUTTLE ONCE TH- ROUGH OIL FELT				*		1	
28		40006577		SHUTTLE LUBRICATING PLATE				*		1	
29		SM4030455SP		SCREW				*		2	
30		CQ200000000		OIL WICK				*		2.6	
31		CQ200000000		OIL WICK				*		1.4	
32		23630007		TUBE				*		1	
33		23630007		TUBE				*		0.6	
34		13529607		SHUTTLE PACKING				*		2	
35		40010471		SHUTTLE RACE AD- JUSTING SHAFT						1	
36		SM6040650TP		SCREW M4 L=6						1	
37		40010472		SHUTTLE BEARING RING						2	
38		40110856		SUTTLE OIL SEAL						2	
39		SB30800100A		BEARING	SELECTIVE PARTS					2	
40		SB30800100B		BEARING	SELECTIVE PARTS					2	
41		SB30800100C		BEARING	SELECTIVE PARTS					2	
42		SB30800100D		BEARING	SELECTIVE PARTS					2	
43		40036117		SHUTTLE UPPER SPRING						1	
44		SM6020460TP		SCREW						2	
45		40036118		LOWER THREAD HOLDER						1	

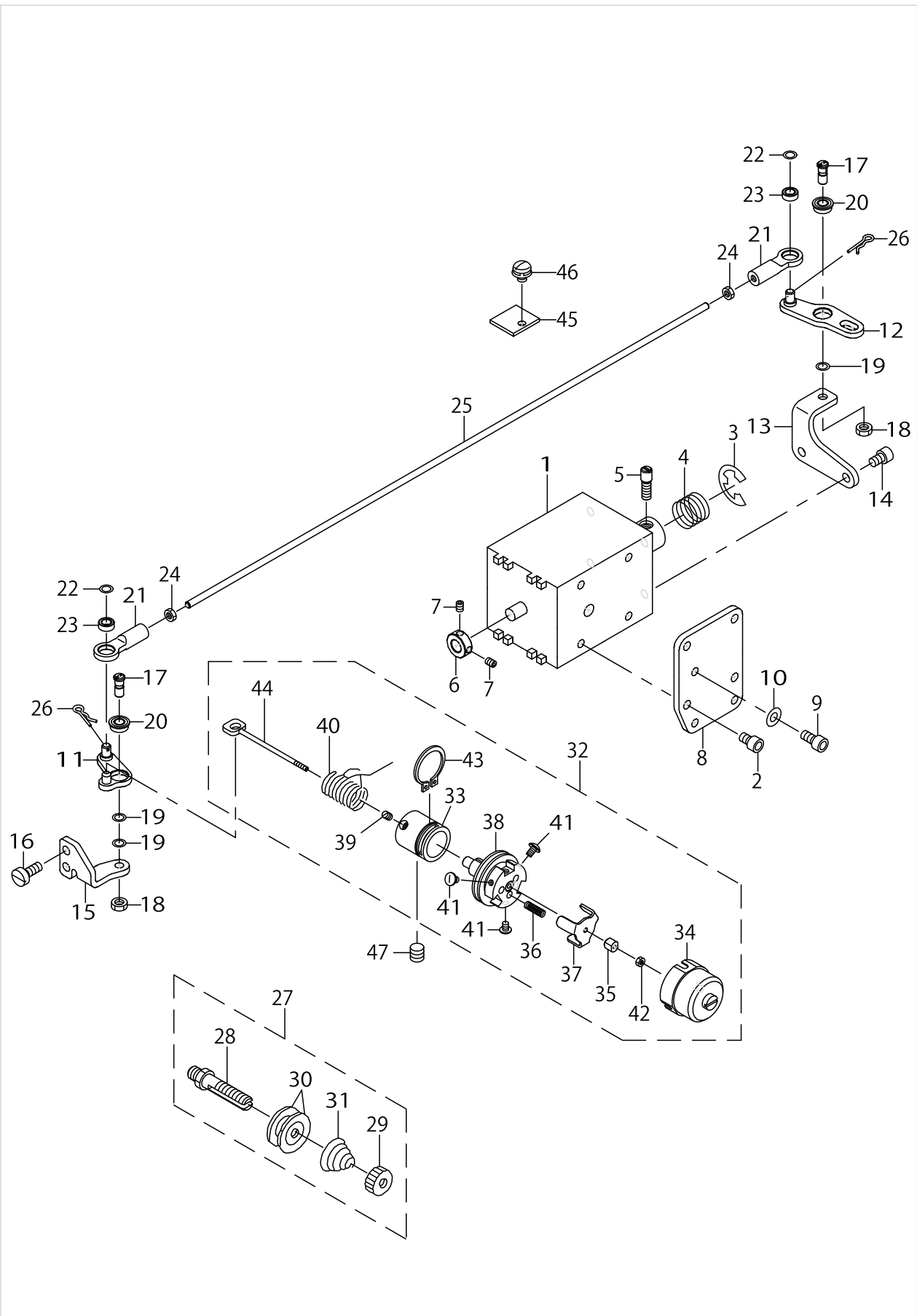
SHUTTLE DRIVER SHAFT COMPONENTS



SHUTTLE DRIVER SHAFT COMPONENTS

No.	Supply Code	Parts No.	Replacement	Parts name	Remarks	Choice	Step	Level	Cons	Qty	Rep. QTY
46		SM6020250TP		SCREW						2	
47		SM8061050TP		SCREW						1	
48		40011512		DRIVER ASM.						1	
49	R	40011511	40011512	SHUTTLE DRIVER				*		1	1.00
50		SS6121212TP		SCREW 3/16-28 L=12.0				*		1	
51		40110827		OSCILLATOR						1	
52		SM8480652TP		SCREW						4	
53		40010470		SHUTTLE ASM. SCREW						1	
54		13812102		BOBBIN					☆	1	
55		40010473		LOWER SHAFT GEAR COVER ASM.						1	
56	R	40010474	40010473	LOWER SHAFT GEAR COVER				*		1	1.00
57		40010475		LOWER SHAFT GEAR FELT				*		1	
58	R	40006580	400065800A0	SHUTTLE		A			☆	1	1.00
58	R	40006580	40110846	SHUTTLE		B			☆	1	1.00
59		SL4040891SC		SCREW M4 L=8						2	
60		SL4040891SC		SCREW M4 L=8						1	
61		HX00150000B		CABLE CLIP						2	
62		SL4040891SC		SCREW M4 L=8						2	
63		SM6040650TP		SCREW M4 L=6						1	
64		40006840		RUBBER BUSH						2	
65		40006836		OIL TANK ASM.						1	
66		40110830		LOWER SHAFT GEAR ASM.						1	
67		14103352		INNER HOOK PRESSER ASM. B						1	

# THREAD TENSION COMPONENTS

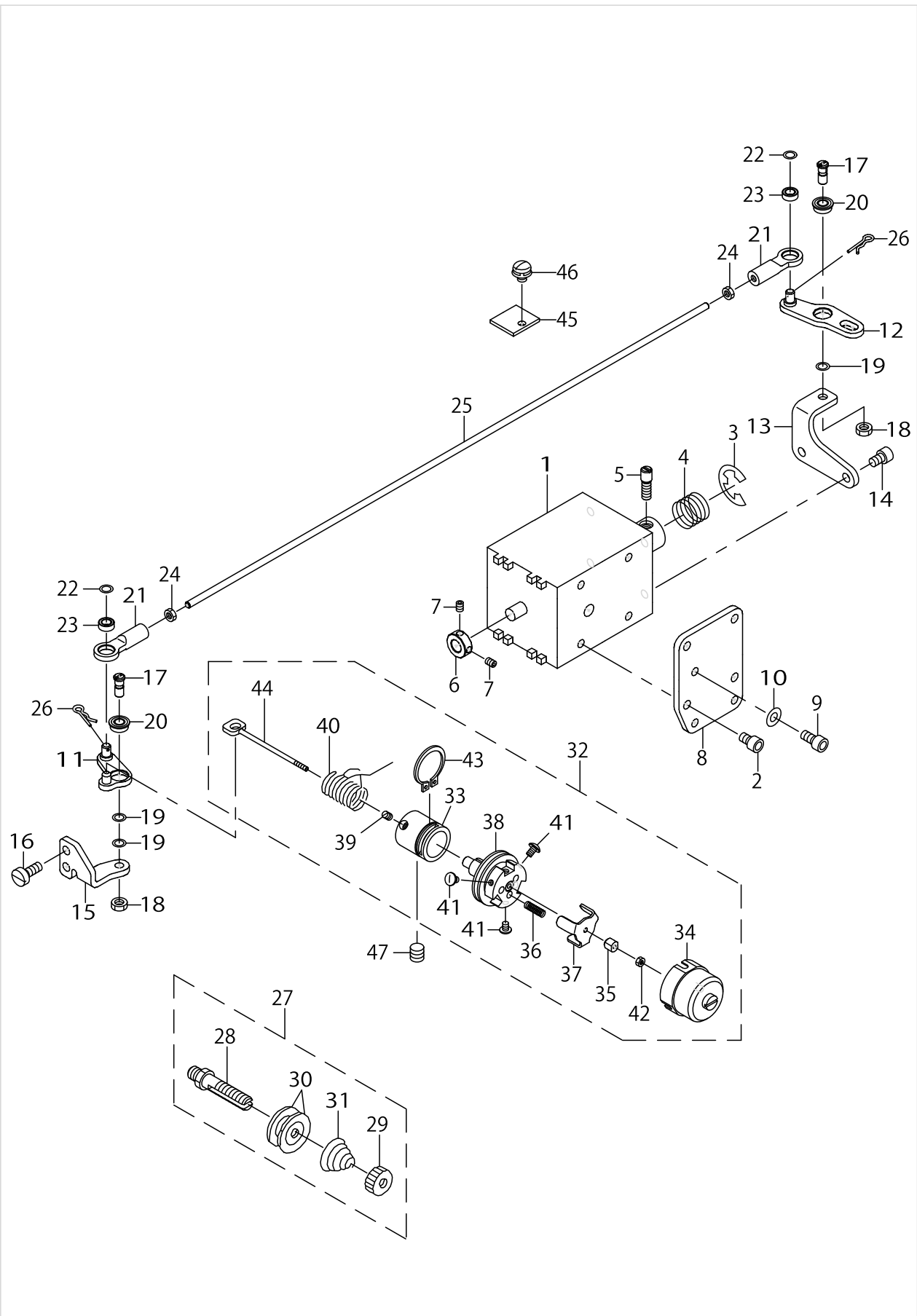


THREAD TENSION COMPONENTS

No.	Supply Code	Parts No.	Replacement	Parts name	Remarks	Choice	Step	Level	Cons	Qty	Rep. QTY
1		40006628		AT SOLENOID						1	
2		SM6040602TP		SCREW M4 L=6						4	
3		RE0900000K0		E-RING 9						1	
4		40006625		SPRING						1	
5		40006617		AT SOL PIN						1	
6		40010477		AT SOL COLLAR						1	
7		SM8030412TP		SCREW						2	
8		40010479		AT PLATE						1	
9		SM6040802TN		SCREW						2	
10		WP0430801SC		WASHER 4.3X9X0.8						2	
11		40010482		AT DRIVE LINK(F) ASM.						1	
12		40010492		AT DRIVE LINK(R) ASM.						1	
13		40010495		AT PIVOT BASE(R)						1	
14		SM6040602TP		SCREW M4 L=6						2	
15		40010486		AT PIVOT BASE(F)						1	
16		SM6041050TP		SCREW M4 L=10						2	
17		40010487		AT PIVOT SCREW						2	
18		40010488		AT PIVOT NUT						2	
19		40010489		AT PIVOT SCREW WASHER						3	
20		40010490		AT PIVOT BEARING						2	
21		40010497		AT JOINT						2	
22		40010489		AT PIVOT SCREW WASHER						2	
23		40010498		AT JOINT BEARING						2	
24	R	40010499	NM6030001SC	AT JOINT NUT						2	1.00
25		40010500		AT CONNECTIONBAR						1	
26		40006622		AT SNAP PIN						2	
27		40010503		THREAD TENSION 1 ASM.						1	
28	R	40010504	40010503	THREAD TENSION SHAFT				*		1	1.00
29		22928808		NUT				*		1	
30		22921506		THREAD TENSION DISK				*		2	
31		26218602		FIRST THREAD TENSION SPRING				*		1	
32		40010508		THREAD TENSION 2 ASM.						1	
33		40010510		THREAD TENSION POST BASE				*		1	
34		40010511		DISK STOPPER HOLDER CAP				*		1	
35		40010512		THREAD TENSION SHAFT COLLAR				*		1	
36		40010513		DISK STOPPER SP				*		3	
37		40010514		DISK STOPPER				*		1	
38		40010515		ASSY THREAD TENSION POST				*		1	
39		40010478		AT SOL COLLAR SCREW				*		1	
40		22921605		THREAD TAKE-UP SPRING				*	☆	1	
41		40010521		HOLD CAP SCREW				*		3	
42		40010522		SHAFT NUT				*		1	
43	R	40010523	40010508	POST BASE C RING				*		1	1.00
44		40010509		THREAD TENSION SHAFT				*		1	
45		40013967		AT-FELT						1	
46		SL4040681SC		SCREW M4 L=6						1	



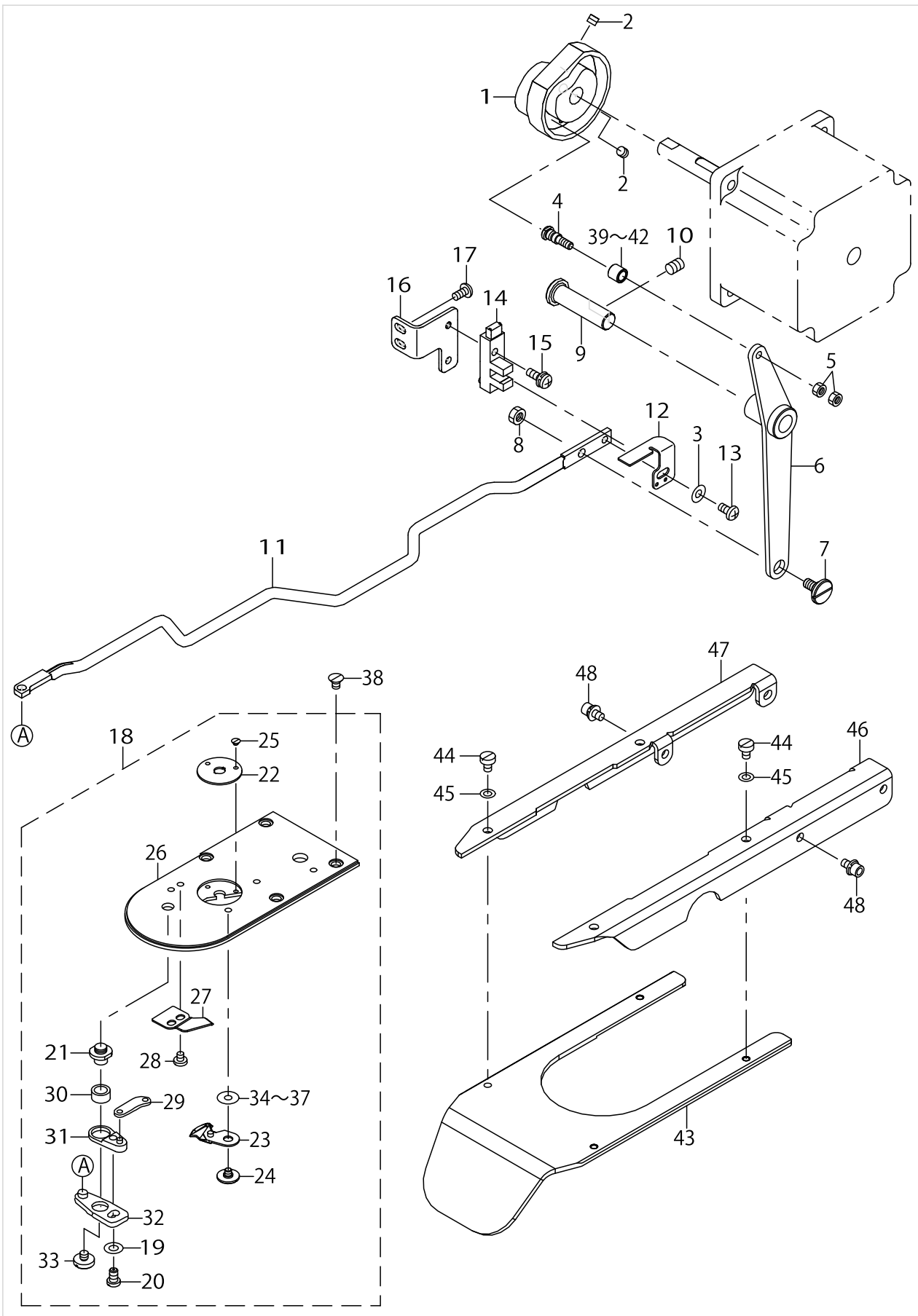
# THREAD TENSION COMPONENTS



THREAD TENSION COMPONENTS

No.	Supply Code	Parts No.	Replacement	Parts name	Remarks	Choice	Step	Level	Cons	Qty	Rep. QTY
47		SM8061612TP		SCREW M6X16						1	

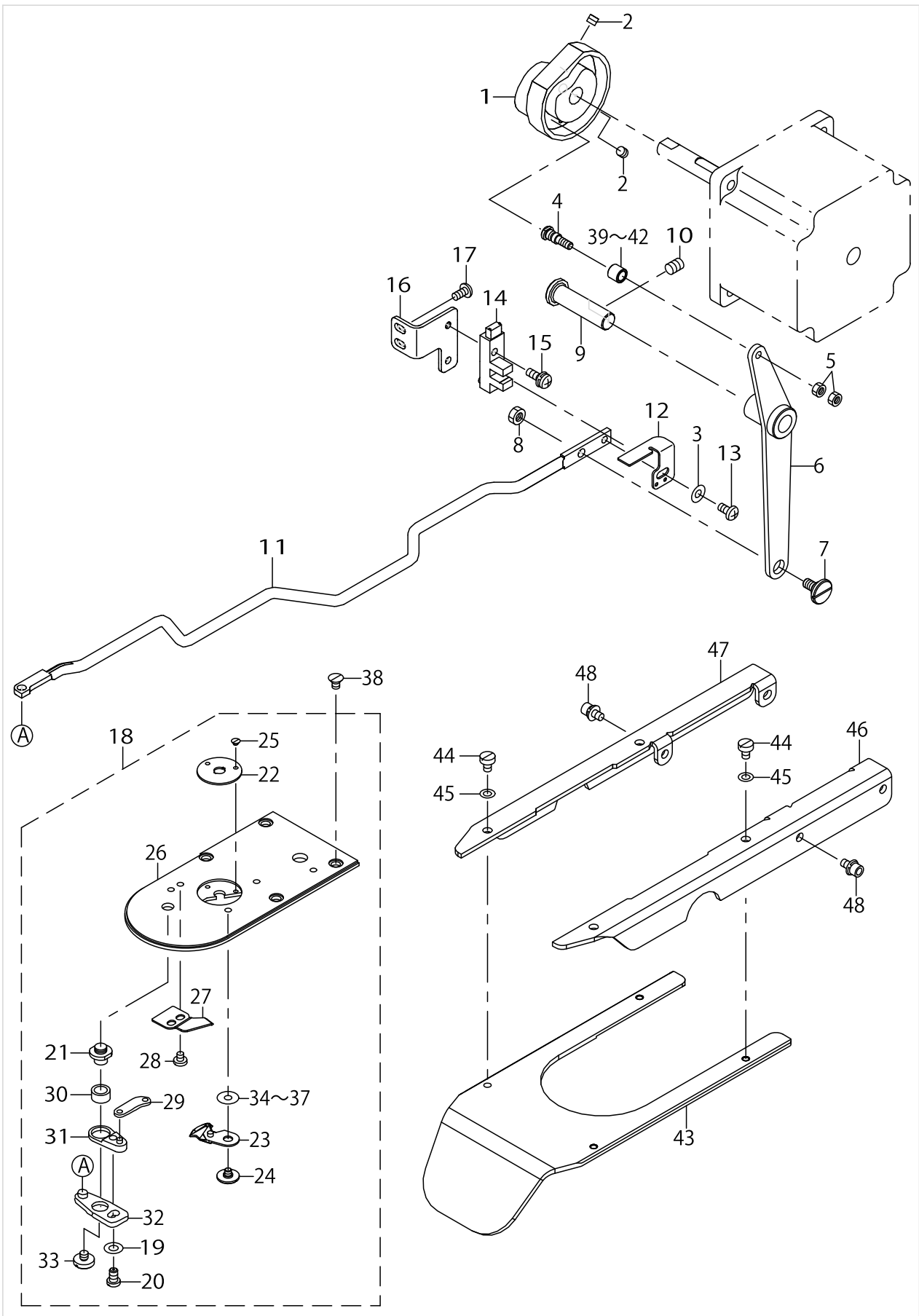
THREAD TRIMMER MECHANISM COMPONENTS



THREAD TRIMMER MECHANISM COMPONENTS

No.	Supply Code	Parts No.	Replacement	Parts name	Remarks	Choice	Step	Level	Cons	Qty	Rep. QTY
1		40006711		THREAD TRIMMER CAM						1	
2		SM8050592TP		SCREW						2	
3		WP0450801SP		WASHER						1	
4		40040256		CAM ROLLER SHAFT						1	
5		NM6040001SP		NUT M4X0.7						2	
6		40006712		THREAD TRIMMER LINK ASM.						1	
7		SD0800327TP		HINGE SCREW D=8 H=3.2						1	
8		NM6050001SP		NUT M5						1	
9		40006716		THREAD TRIMMER SHAFT						1	
10		SM8060812TP		SCREW M6 L=8						1	
11		40006717		CONNECTING BAR						1	
12		40010525		THREAD TRIMMER SENSOR SLIT						1	
13		SM4040855SP		SCREW						1	
14		HD002230000		PHOTO SENSOR						1	
15		SL4041291SC		SCREW M4 L=12						1	
16		40010526		THREAD TRIMMER SENSOR BASE						1	
17		SM4040855SP		SCREW						2	
18		70005454		NEEDLE PLATE ASM.						1	
19		WP0450846SP		WASHER				*		1	
20		SS7110740TP		SCREW 11/64-40 L=7				*		1	
21		B2417280000		THREAD CUTTER LEVER SHAFT				*		1	
22		B242628000B		NEEDLE HOLE GUIDE B				*	☆	1	
23		B2421210AA0		MOVING KNIFE COMPL.				*	☆	1	
24		B2417210000		MOVING KNIFE HINGE SCREW				*		1	
25		SS1060210TP		SCREW 3/32-56 L=2.2				*		2	
26		40006721		NEEDLE PLATE				*		1	
27		B2424210000		COUNTER KNIFE				*	☆	1	
28		SS7090410SP		SCREW 9/64-40 L=3.5				*		2	
29		B2418280000		MOVING KNIFE LINK				*		1	
30		B2416280000		THREAD CUTTING LEVER RING				*		1	
31		B24152800A0		THREAD CUTTER L- EVER ASM. SMALL				*		1	
32		B24142800A0		THREAD CUTTER L- EVER ASM. LARGE				*		1	
33		SS6110430TP		SCREW 11/64-40 L=4.0				*		1	
34		B242328000A		MOVING KNIFE WASHER A	SELECTIVE PARTS			*		1	
35		B242328000B		MOVING KNIFE WASHER B	SELECTIVE PARTS			*		1	
36		B242328000C		MOVING KNIFE WASHER C	SELECTIVE PARTS			*		1	
37		B242328000D		MOVING KNIFE WASHER D	SELECTIVE PARTS			*		1	
38		SM1040650TP		SCREW M4 L=6						4	
39		23517501		NEEDLE CAM ROLLER A	SELECTIVE PARTS					1	
40		23517600		NEEDLE CAM ROLLER B	SELECTIVE PARTS					1	
41		23517709		NEEDLE CAM ROLLER C	SELECTIVE PARTS					1	
42		23517808		NEEDLE CAM ROLLER D	SELECTIVE PARTS					1	
43		40110721		NEEDLE_PLATE_SUPPORT						1	
44		SM6450610TP		SCREW						4	
45		WP0430800SC		WASHER M4						4	

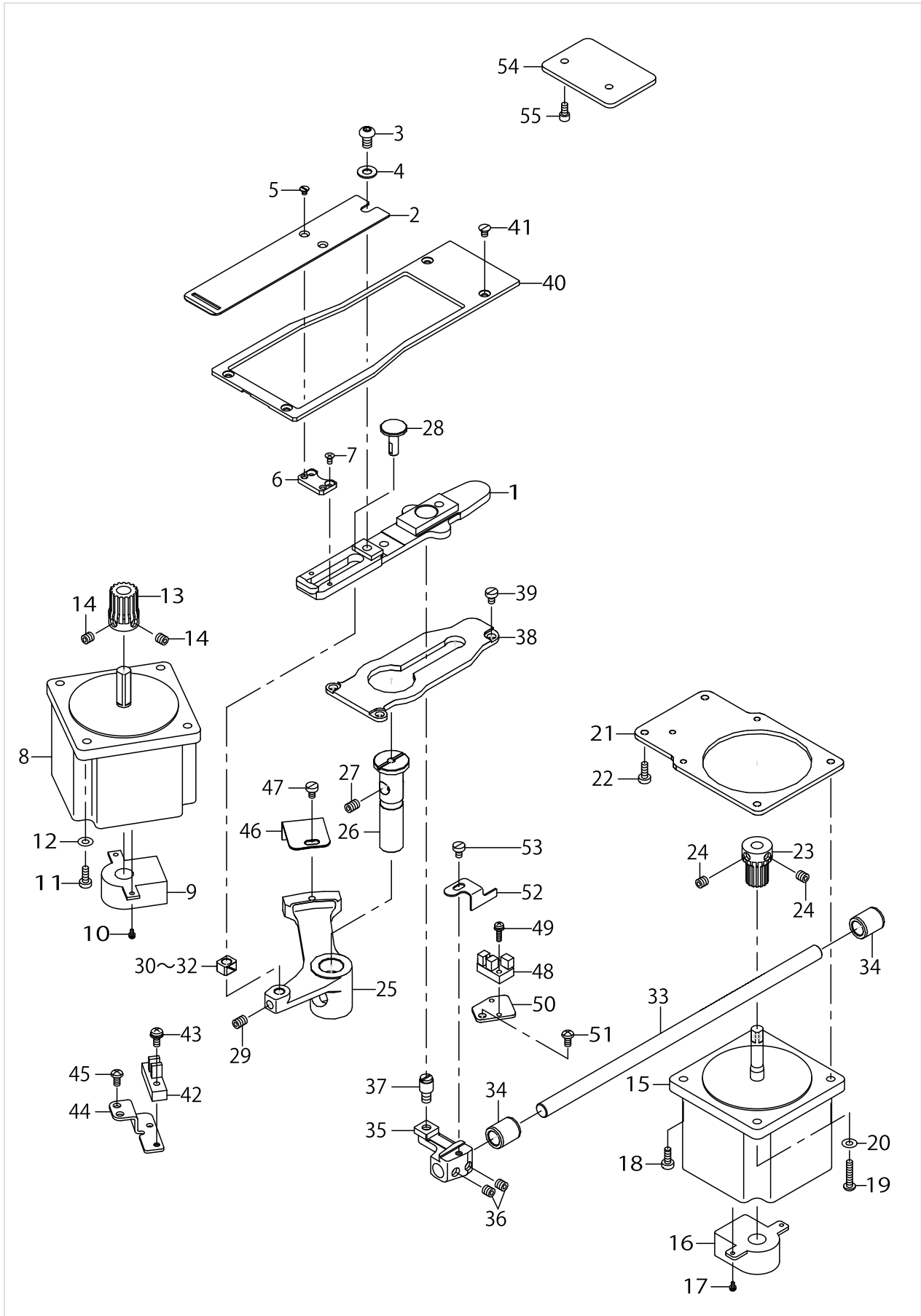
THREAD TRIMMER MECHANISM COMPONENTS



THREAD TRIMMER MECHANISM COMPONENTS

No.	Supply Code	Parts No.	Replacement	Parts name	Remarks	Choice	Step	Level	Cons	Qty	Rep. QTY
46		40110722		NEEDLE_PLATE_BR_R						1	
47		40110723		NEEDLE_PLATE_BR_L						1	
48		SL6040892TN		BOLT						4	

FEED MECHANISM COMPONENTS

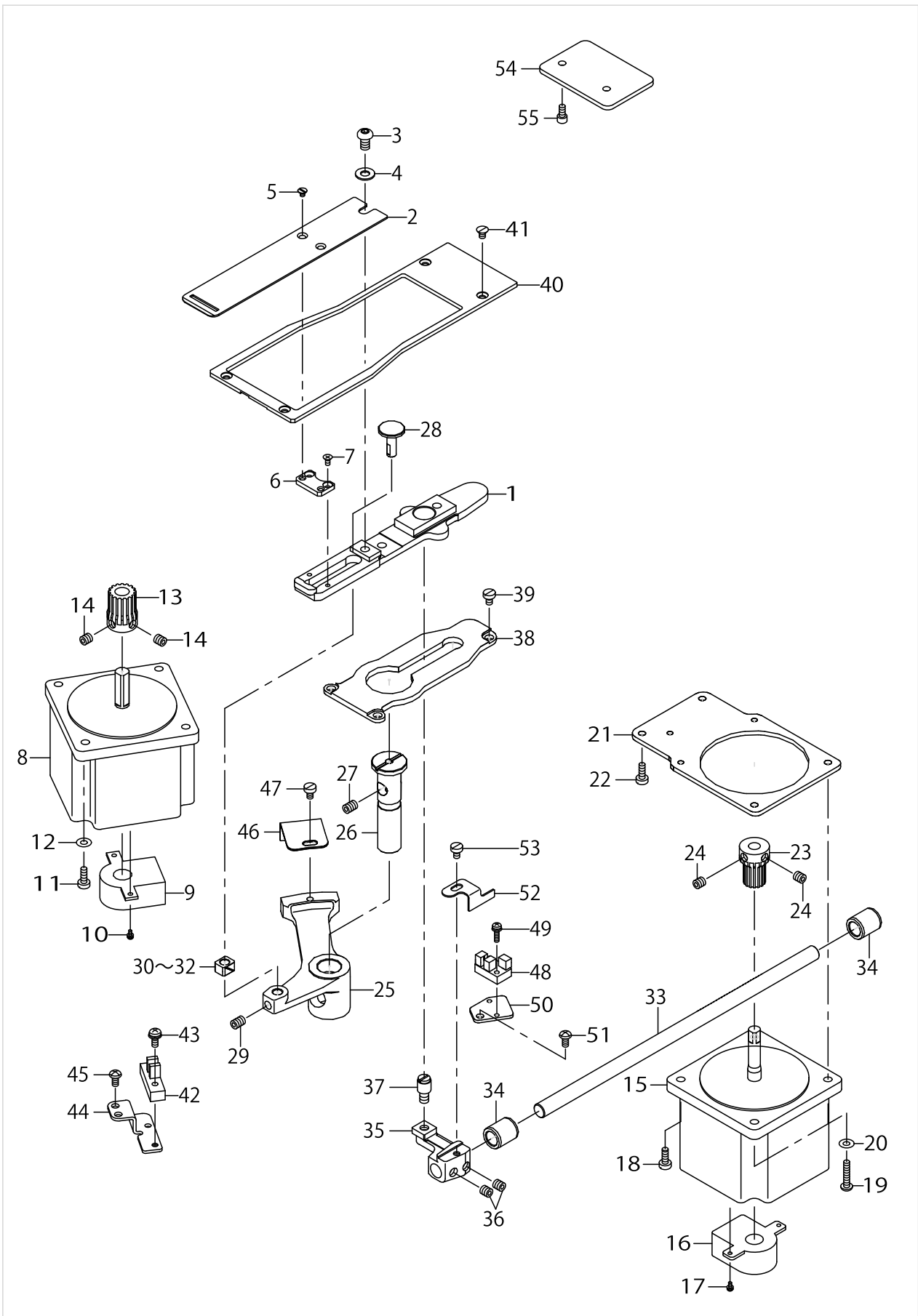


FEED MECHANISM COMPONENTS

No.	Supply Code	Parts No.	Replacement	Parts name	Remarks	Choice	Step	Level	Cons	Qty	Rep. QTY
1		40078100		CLOTH FEED PLATE A ASM.						1	
2		70005236		FEED_PLATE_A						1	
3		SM3061052TP		SCREW M6 L=10						1	
4		WP0621016SD		WASHER 6.2X13X1						1	
5		SM1030400SP		SCREW M3 L=4						2	
6		70005237		SPACER_PLATE						1	
7		SM1030601SP		SCREW M3 L=6						2	
8		40090626		X FEED MOTOR						1	
9		HD002780000		SENSOR						1	
10		SL4020591SC		SCREW M2X5						2	
11		SM4041655SP		SCREW M4 L=16						4	
12		WP0450801SP		WASHER						4	
13		26501403		X FEED GEAR						1	
14		SM8060602TP		SCREW M6X6						2	
15		40090627		Y FEED MOTOR						1	
16		HD002780000		SENSOR						1	
17		SL4020591SC		SCREW M2X5						2	
18		SM6041150TP		SCREW						2	
19		SM4042055SP		SCREW						2	
20		WP0450801SP		WASHER						2	
21		40010536		Y FEED MOTOR BASE						1	
22		SM6041150TP		SCREW						2	
23		26501502		Y FEED GEAR						1	
24		SM8060602TP		SCREW M6X6						2	
25		40006736		CLOTH FEED ARM						1	
26		26222703		FEED DRIVING ARM SHAFT						1	
27		SM8060812TP		SCREW M6 L=8						1	
28		26223305		SLIDE BLOCK STUD						1	
29		SM8060812TP		SCREW M6 L=8						1	
30		B1414232000		SQUARE BLOCK	SELECTIVE PARTS					1	
31		B141423200A		CRANK SLIDE BLOCK	SELECTIVE PARTS					1	
32		B141423200B		GUIDE ROLLER	SELECTIVE PARTS					1	
33		40006738		Y FEED SHAFT						1	
34		B2509704000		BUSHING REAR						2	
35		40042897		LENGTHWISE FEED ARM(M)						1	
36		SM8480652TP		SCREW						2	
37		40078098		HINGE STUD A						1	
38		40006740		CLOTH FEED SUPPORT PLATE						1	
39		SM6040650TP		SCREW						3	
40		40066739		CLOTH FEED PRESSER PLATE						1	
41		SM1040650TP		SCREW						4	
42		HD002230000		PHOTO SENSOR						1	
43		SL4041281SC		SCREW M4X0.7 L=12						1	
44		14111702		SENSOR INSTALLING BASE						1	
45		SM4040855SP		SCREW						2	
46		14111504		CROSSFEED SENSOR SLIT						1	



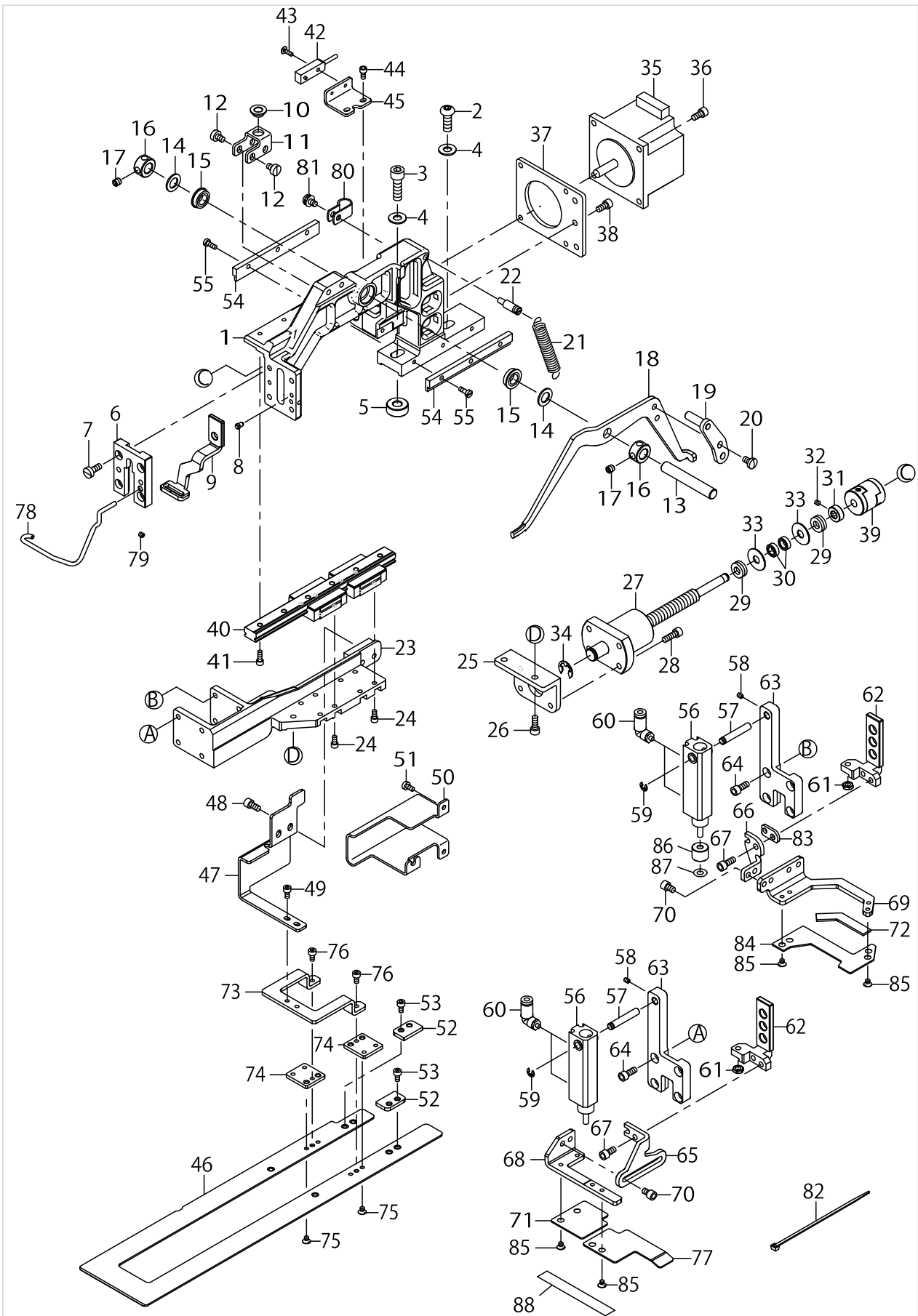
FEED MECHANISM COMPONENTS



FEED MECHANISM COMPONENTS

No.	Supply Code	Parts No.	Replacement	Parts name	Remarks	Choice	Step	Level	Cons	Qty	Rep. QTY
47		SM6040650TP		SCREW						1	
48		HD00057000A		PHOTO SENSOR						1	
49		SL4031291SC		SCREW M3X12						1	
50		40028986		SENSOR INSTALLING BASE						1	
51		SM4040855SP		SCREW						1	
52		14136402		LENGTHWISE FEED SENSOR SLIT						1	
53		SM6040650TP		SCREW						1	
54		40039255		SUPPORT PLATE						1	
55		SM6040802TP		SCREW M4X0.7 L=8						2	

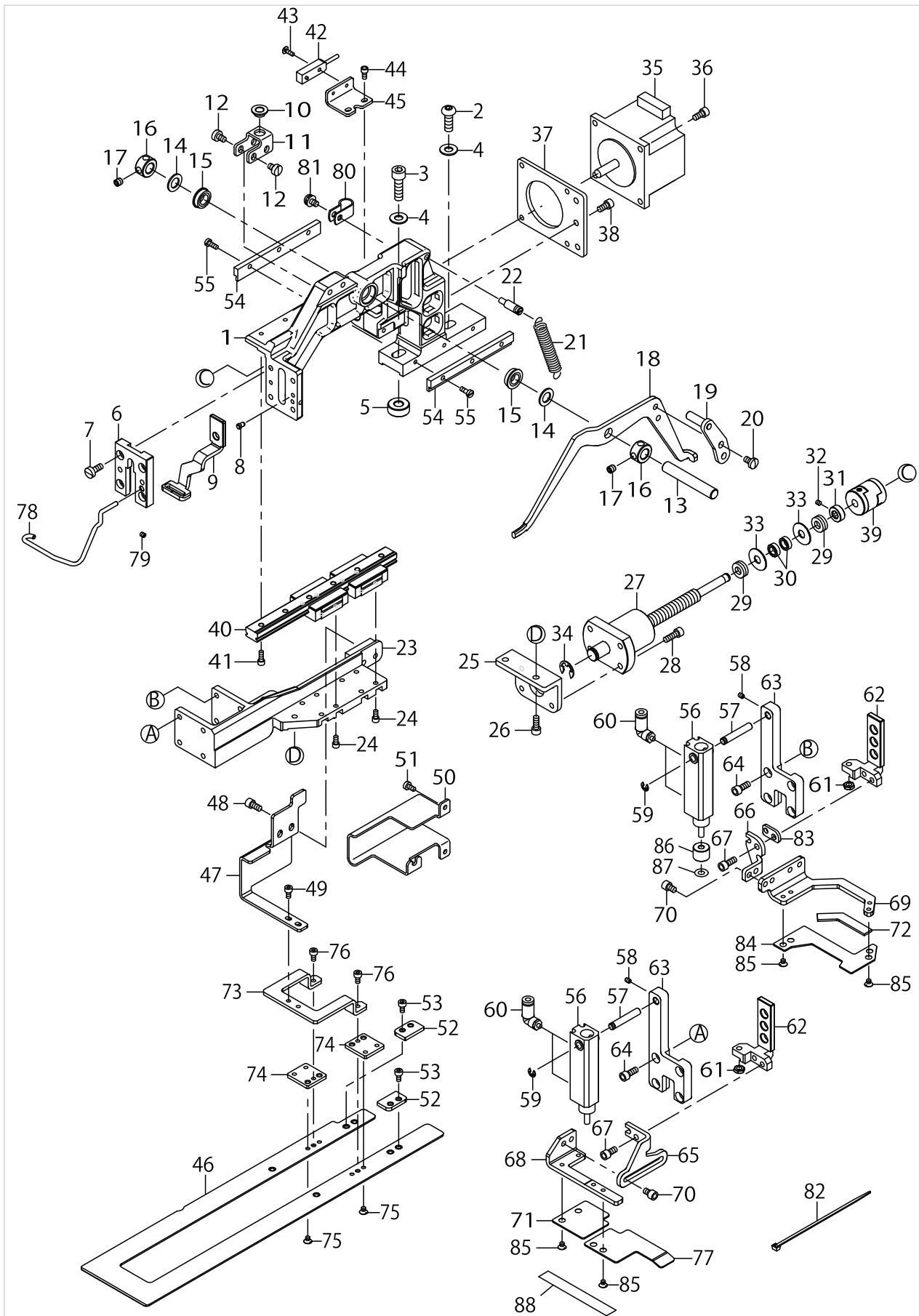
# CLOTH FEED COMPONENTS



CLOTH FEED COMPONENTS

No.	Supply Code	Parts No.	Replacement	Parts name	Remarks	Choice	Step	Level	Cons	Qty	Rep. QTY
1		40066402		FEED BRACKET						1	
2		SM3061652TN		SCREW M6 L=16						1	
3		SM6062002TP		SCREW M6 L=20						1	
4		WP0621016SD		WASHER 6.2X13X1						2	
5		40075988		FEED SPACER						1	
6		40066651		CLOTH FEED BASE COVER						1	
7		SM6041000SP		SCREW M4 L=10						4	
8		B1816280000		GUIDE PIN						2	
9		70005222		WORK_CLAMP_FOOT_B_N						1	
10		G5126172000		CLAMP SHAFT HOLDER						1	
11		40091163		SLIDER BASE						1	
12		SM6040650TP		SCREW						4	
13		40083883		LIFTING LEVER SHAFT B						1	
14		40083885		WASHER						2	
15		SB108000700		BEARING						2	
16		40083884		THRUST COLLAR D=8 W=8						2	
17		SM8050512TP		SCREW						4	
18		26204008		LIFTINGLEVERRIGHT						1	
19		40103154		LEVER DRIVING PLATE R ASM.						1	
20		SS7110740TP		SCREW 11/64-40 L=7						2	
21		14105407		CLOTH PRESSER SPRING						1	
22		40038207		NIPPER BAR SPRING SCREW						1	
23		40066443		CLOTH FEED BASE						1	
24		SM6030602TP		SCREW M3X0.5 L=6						8	
25		40066444		CLOTH FEED BASE B						1	
26		SM6041002TP		SCREW M4 L=10						2	
27		40109548		BALL_SCREW_1010						1	
28		SM6041202TP		SCREW M4X0.7 L=12						4	
29		SB406000100		THRUST BEARING						2	
30		SB106000500		BEARING						2	
31		40010477		AT SOL COLLAR						1	
32		SM8030302TP		SCREW M3X0.5 L=3						2	
33		G5236254000		THRUST RING						2	
34		RE0700000K0		E-RING 7						1	
35		40090635		CLOTH FEED MOTOR						1	
36		SM6040802TP		SCREW M4X0.7 L=8						4	
37		40073100		MOTOR BASE PLATE						1	
38		SM6041002TP		SCREW M4 L=10						3	
39		40091160		COUPLING						1	
40		40091161		LM GUIDE 12						1	
41		SM6030802TP		SCREW M3X0.5 L=8						6	
42		40090642		CLOTH FEED ORG SENSOR ASSY						1	
43		SM0850801SC		SCREW M2.5 L=8						1	
44		SM6030602TP		SCREW M3X0.5 L=6						2	
45		40066761		SENSOR_BASE						1	
46	R	70005230	40185494	UNDER_FEED_PLATE						1	1.00

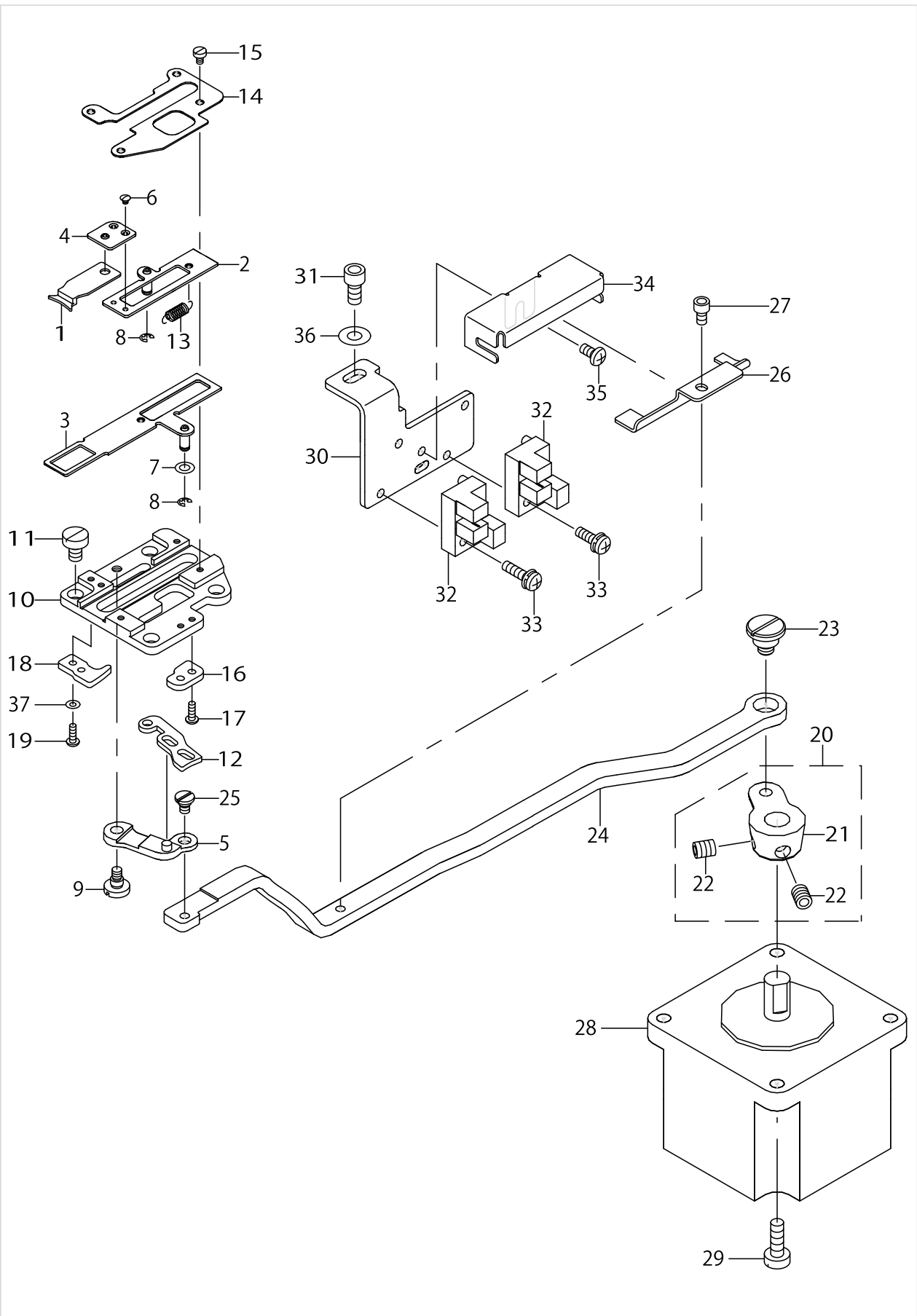
# CLOTH FEED COMPONENTS



CLOTH FEED COMPONENTS

No.	Supply Code	Parts No.	Replacement	Parts name	Remarks	Choice	Step	Level	Cons	Qty	Rep. QTY
47		70005227		CONNECTION_PLATE						1	
48		SM6040802TP		SCREW M4X0.7 L=8						2	
49		SM6030402TP		SCREW M3X0.5 L=4						2	
50		40091159		FEED COVER						1	
51		SM6030600SP		SCREW M3X0.5 L=6						3	
52		40066748		FEED PLATE GUIDE B						2	
53		SM6030602TP		SCREW M3X0.5 L=6						4	
54		40066745		FEED PLATE GUIDE						2	
55		SM6030800SP		SCREW M3X0.5 L=8						6	
56		PA1003027A0		AIR CYLINDER						2	
57		14411003		CLOTH PRESSER C- YLINDER SHAFT						2	
58		SM8030412TP		SCREW						2	
59		RE0400000K0		E-RING 4						2	
60		PJ304040301		UNION ELBOW M3						4	
61		NM6040003SC		NUT M4						2	
62		40091158		PRESSURE SLIDE PLATE						2	
63		40075982		CLOTH PRESSER BASE COVER						2	
64		SM6041002TP		SCREW M4 L=10						8	
65		40091339		CLAMP FOOT F						1	
66		40100422		CLAMP FOOT R						1	
67		SM6041002TP		SCREW M4 L=10						4	
68		40107534		CLOTH CLAMP A F						1	
69		70005223		CLOTH_CLAMP_A_R						1	
70		SM6040652TP		SCREW M4 L=6						4	
71		70005225		CLOTH_CLAMP_SUPPORT_C						1	
72		40100426		PRESSURE SPONGE R B					☆	1	
73		70005228		GUIDE_BASE						1	
74		70005229		PLATE						2	
75		SM1030400SP		SCREW M3 L=4						4	
76		SM6030602TP		SCREW M3X0.5 L=6						2	
77		70005226		CLOTH_CLAMP_SUPPORT_D						1	
78		40075977		FINGER GUARD						1	
79		SM8030302TP		SCREW M3X0.5 L=3						1	
80		HX00150000C		CABLE CLIP						1	
81		SL4040891SC		SCREW M4 L=8						1	
82		EA9500B0100		CABLE BAND						2	
83		40100420		SPACER						1	
84		70005224		CLOTH_CLAMP_SUPPORT_A						1	
85		SM1030400SP		SCREW M3 L=4						8	
86		70005235		BUSH						1	
87		WP0450801SP		WASHER						1	
88		40066088		TAPE						1	

TC CLAMP COMPONENTS

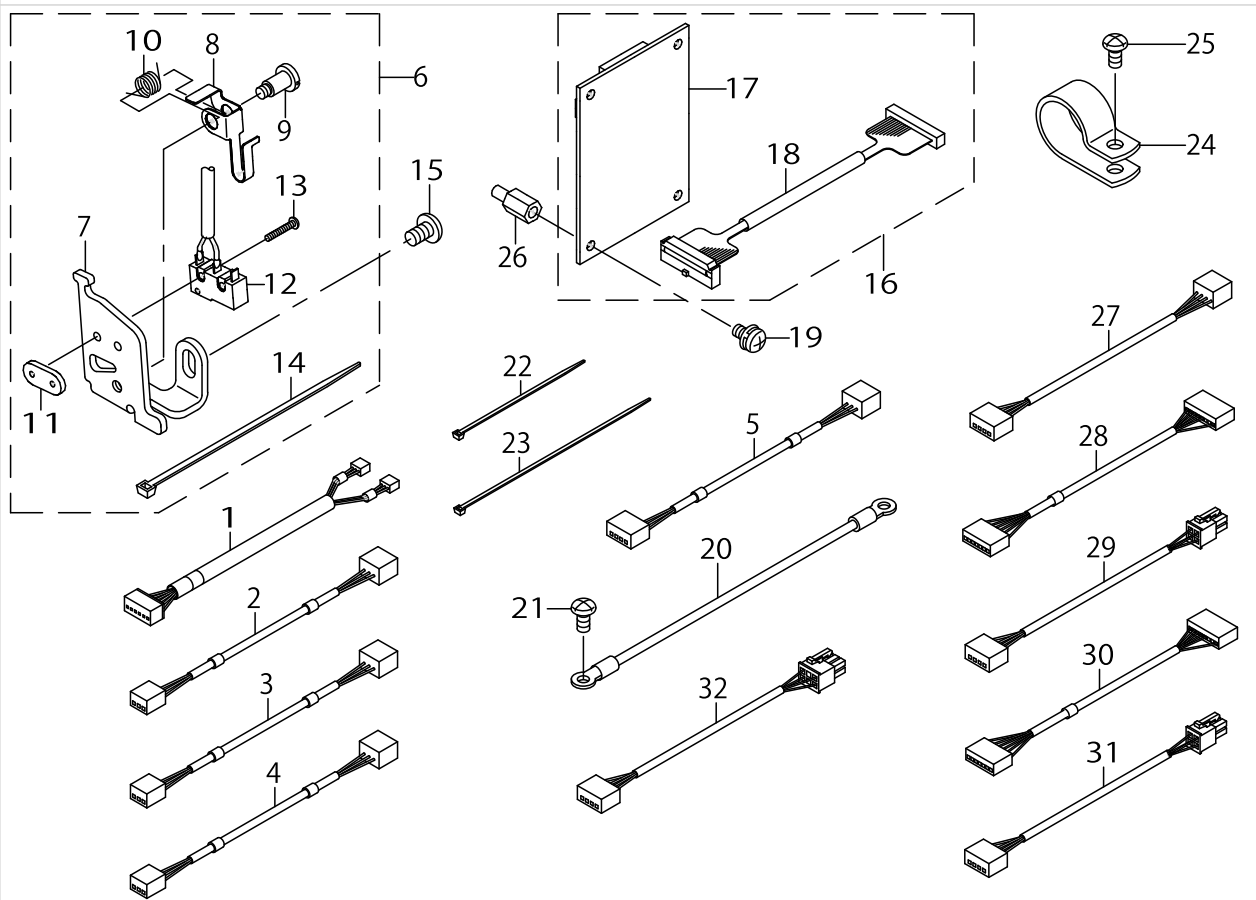


TC CLAMP COMPONENTS

No.	Supply Code	Parts No.	Replacement	Parts name	Remarks	Choice	Step	Level	Cons	Qty	Rep. QTY
1		40006761		TC CLAMP						1	
2		40006762		TC CLAMP PLATE ASM.						1	
3		40006765		TC SUPPERT PLATE ASM.						1	
4		40012815		TC JOINT ASM.						1	
5		40015800		TC-LINK ASM.						1	
6		SM2360110TP		SCREW M1.6X0.2 L=1.35						2	
7		WP0320500SC		WASHER M3						1	
8		RE0200000K0		E-RING						2	
9		SD0400266TP		HINGE SCREW D=4 H=2.6						1	
10		40010589		TC BASE						1	
11		SM6040650TP		SCREW M4 L=6						4	
12		40010590		TC CAM PLATE						1	
13		40006780		TC SPRING						1	
14		40006781		TC BASE COVER						1	
15		SM6020350SP		SCREW M2 L=2.5						4	
16		40006782		TC NOTCH R						1	
17		SM4020600SP		SCREW M2 L=6						2	
18		40006777		TC NOTCH F						1	
19		SM6020450TP		SCREW						2	
20		40010527		TC DRIVING ARM ASM.						1	
21	R	40010528	40010527	TC DRIVING ARM				*		1	1.00
22	R	40011152	40010527	TC ARM SCREW				*		2	1.00
23		SD0800406TP		SHOULDER SCREW D8 H4						1	
24		40006776		TC CONNECTING LINK						1	
25		SD0350156TP		SHOULDER SCREW						1	
26		40010530		SENSOR SLIT						1	
27		SM6030502TP		BOLT M3X5						1	
28		40075079		STEPPING MOTOR						1	
29		SM6041200SP		SCREW M4 L=12						4	
30		40010531		SENSOR INSTALLING BASE						1	
31		SM6040802TP		SCREW M4X0.7 L=8						1	
32		HD00057000A		PHOTO SENSOR						2	
33		SL4031091SC		SCREW M3X10						2	
34		40010532		DUST GUARD						1	
35		SM4030601SN		SCREW M3X6						1	
36		WP0450801SP		WASHER						1	
37		WP0220300SC		WASHER						2	



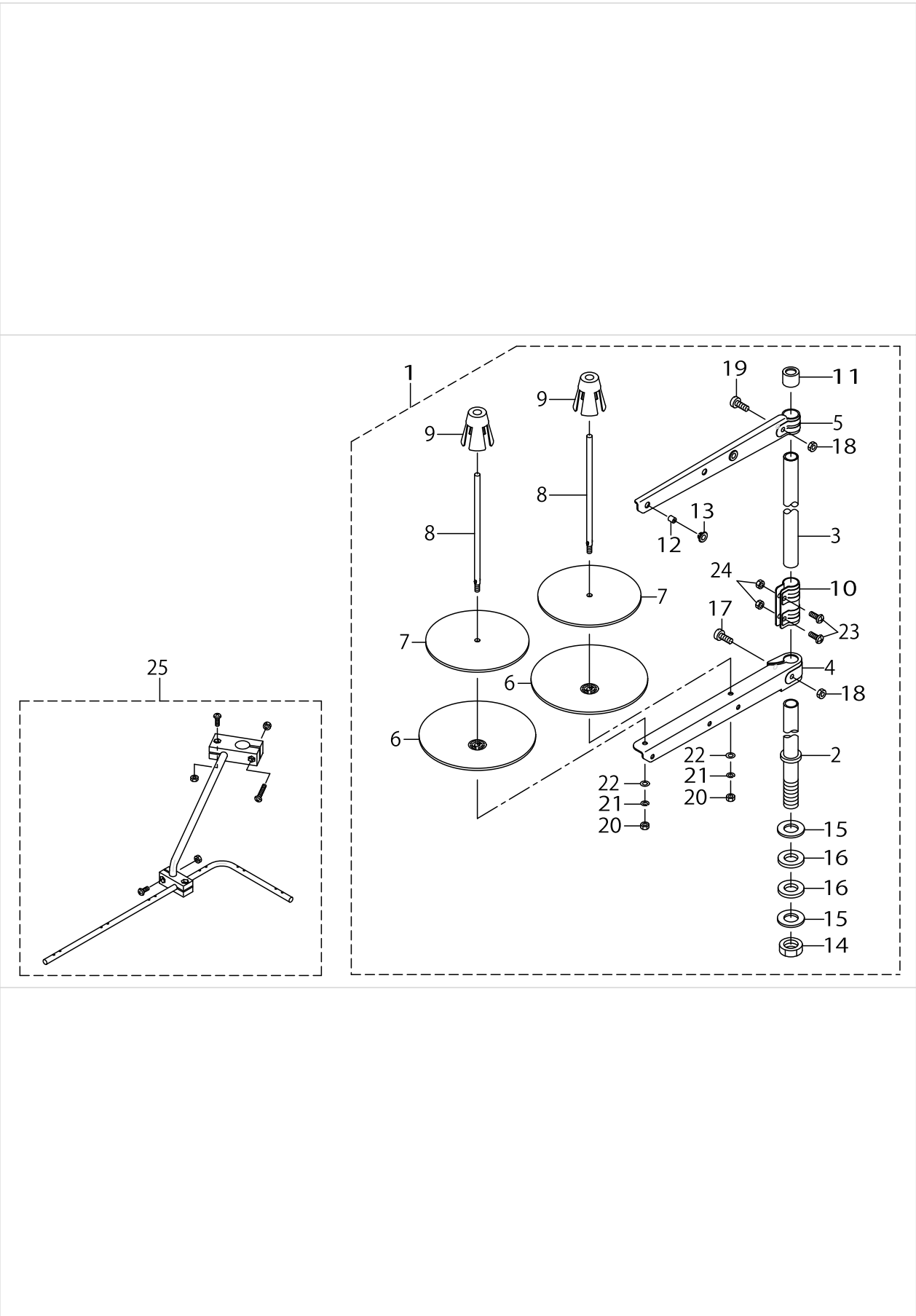
SENSOR COMPONENTS



SENSOR COMPONENTS

No.	Supply Code	Parts No.	Replacement	Parts name	Remarks	Choice	Step	Level	Cons	Qty	Rep. QTY
1		40005729		TH SENSOR CABLE ASM.						1	
2		40005731		Y SENSOR CABLE ASM.						1	
3		40005732		PF SENSOR CABLE ASM.						1	
4		40005730		X SENSOR CABLE ASM.						1	
5		40005733		TT SENSOR CABLE ASM.						1	
6		40006495		SAFETY SW ASM.						1	
7	R	40006496	40006495	SAFETY SW BASE				*		1	1.00
8		23638109		SAFETY SWITCH ARM.				*		1	
9	R	40006497	40006495	SAFETY SW ARM SHAFT				*		1	1.00
10	R	23638208	23638059	SAFETY SWITCH SPRING				*		1	1.00
11	R	23638406	23638059	SAFETY SWITCH NUT				*		1	1.00
12		40005734		SAFETY SW CABLE ASM.				*		1	
13		SM4021201SC		SCREW M2 L=12				*		2	
14		EA9500B0100		CABLE BAND				*		1	
15		SM4050855SP		SCREW						1	
16		40005664		INT PCB ASM.						1	
17	R	40005660	40005664	INT PCB				*		1	1.00
18		40005725		INT CABLE ASM.				*		1	
19		SL4040881SF		SCREW M4 L=8						4	
20		14115554		HEAD GROUND CABLE A ASM.						1	
21		SM4040855SP		SCREW						1	
22		EA9500B0100		CABLE BAND						6	
23		EA9500B0200		CABLE BAND 150						3	
24		HX00150000K		CABLE CLIP						1	
25		SM4040855SP		SCREW						1	
26		HX003390000		STUD						4	
27		40090633		THREAD CLAMP MOTOR RELAY CORD ASM.						1	
28		40073632		X ENCODER CABLE ASM.						1	
29		40090630		X FEED MOTOR RELAY CORD ASM.						1	
30		40073638		Y ENCODER CABLE ASM.						1	
31		40090631		Y FEED MOTOR RELAY CORD ASM.						1	
32		40090632		PRESSER LIFTING MOTOR RELAY CORD ASM.						1	

THREAD STAND COMPONENTS



THREAD STAND COMPONENTS

No.	Supply Code	Parts No.	Replacement	Parts name	Remarks	Choice	Step	Level	Cons	Qty	Rep. QTY
1		40096354		THREAD STAND ASM.						1	
2		40085784		SPOOL REST ROD LOWER				*		1	
3		40085785		SPOOL REST ROD UPPER				*		1	
4		40085786		SPOOL REST ARM LOWER				*		1	
5		40085787		SPOOL REST ARM UPPER				*		1	
6		40085788		SPOOL REST				*		2	
7		40085789		SPOOL REST CUSHION				*		2	
8		40085790		SPOOL PIN				*		2	
9		40085791		SPOOL RETAINER				*		2	
10		40085792		SPOOL REST ROD JOINT				*		1	
11		40085793		SPOOL REST ROD RUBBER CAP				*		1	
12		40085794		THREAD GUIDE				*		2	
13		40085795		THREAD GUIDE BUSHING				*		2	
14		40096325		SPOOL REST ROD NUT				*		1	
15		WP1612616SE		WASHER 16X30X2.6				*		2	
16		40085796		SPOOL REST ROD RUBBER CUSHION				*		2	
17		40096326		SPOOL REST ARM LOWER SCREW				*		1	
18		NM6050001SE		NUT M5				*		2	
19	R	40096327	SM4053001SE	SPOOL REST ARM UPPER SCREW				*		1	1.00
20		NM6050001SE		NUT M5				*		2	
21		WS0510002KN		SPRING WASHER M5				*		2	
22		WP0531001SC		WASHER M5				*		2	
23		SM4051405SE		SCREW M5 L=14				*		2	
24		NM6050001SE		NUT M5				*		2	
25		26910059		THREAD GUIDE ARM ASM.						1	

TABLE STAND COMPONENTS

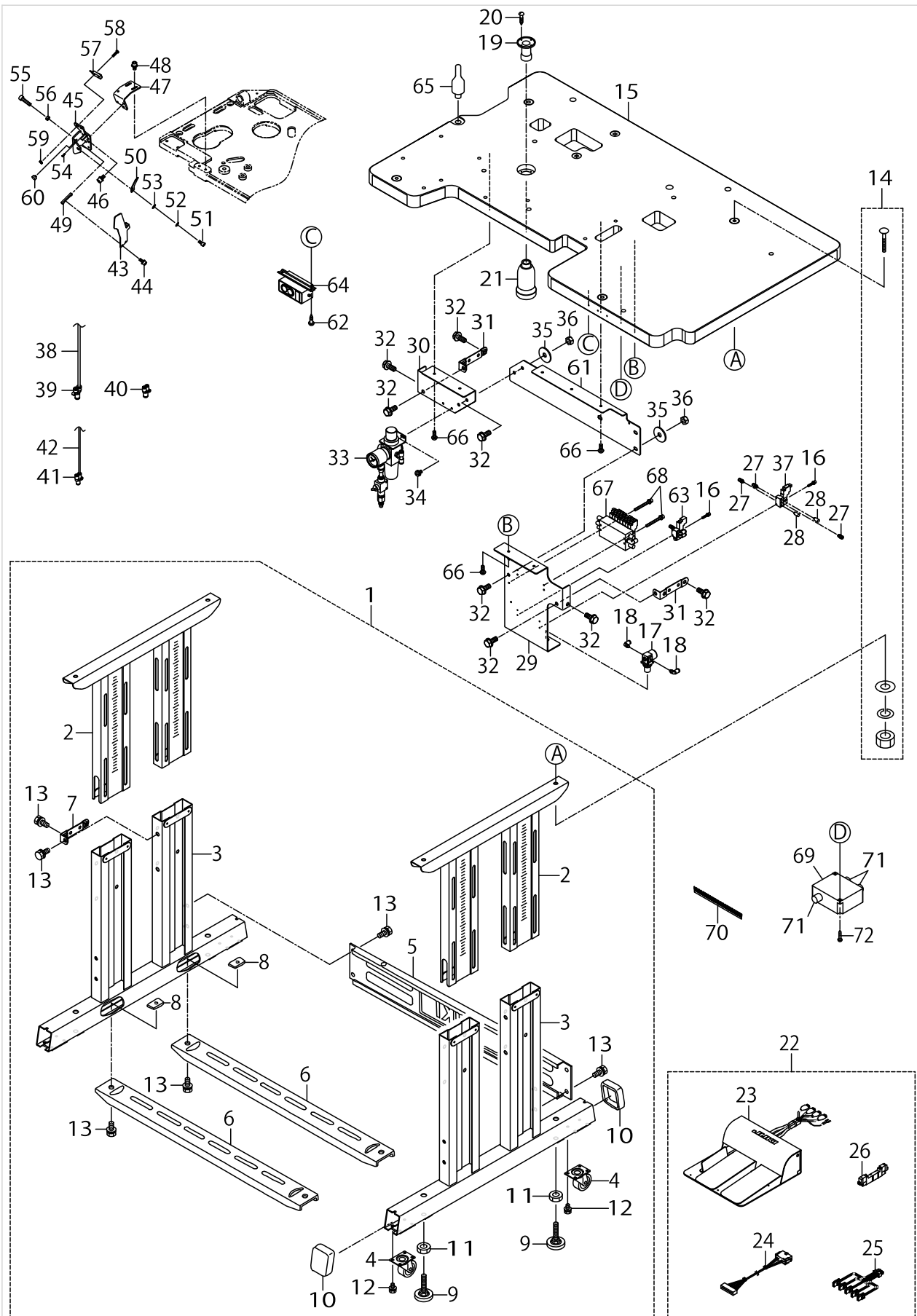


TABLE STAND COMPONENTS

No.	Supply Code	Parts No.	Replacement	Parts name	Remarks	Choice	Step	Level	Cons	Qty	Rep. QTY
1	D R	B8101221DA0	B8101221DB0	STAND ASM.		A				1	1.00
1	D R	B8101221DA0	B8110373N00	STAND ASM.		A				1	4.00
1	D R	B8101221DA0	B8150221D00	STAND ASM.		A				1	4.00
2		B8102221DA0		UPPER STAND COMPL.				*		2	
3		B8103221DA0		STAND COMPL.				*		2	
4		B8150221D00		CASTER				*		4	
5	D	11158300		STAND SIDE SUPPORT				*		1	
6		11158409		STAND SIDE SUPPORT				*		2	
7		11158516		UPPER STAND PLATE				*		4	
8		17007402		NUT				*		4	
9		17833658		ADJUSTING BOLT ASM.				*		4	
10		B8110373N00		CAP				*		4	
11		NM6120003SE		NUT M12				*		4	
12		SL9061293SE		WASHER HEXAGONAL BOLT				*		16	
13		SL9082093SE		SCREW				*		20	
14		MTJMS00000S		SCREW SET						4	
15		70005340		TABLE						1	
16		SL6031642TN		SCREW						4	
17		PF0205010C0		AIR REGULATOR						1	
18		PJ304040504		ELBOW UNION						2	
19		B8202205000		OIL MANAGEMENT						1	
20	R	SK3311600SC	SK3311601SE	WOOD SCREW D=3.1 L=16						4	1.00
21		B9121012000		OIL CAN						1	
22		40111910		3-PEDAL_ASSY						1	
23		GPK470010AB		3-PEDAL ASM.				*		1	
24		40073659		SW RELAY CORD ASM				*		1	
25		40033875		PK47 RELAY CABLE ASM				*		1	
26		PV150106000		5-PORT SOLENOID VALVE				*		1	
27		PJ304040511		ELBOW UNION						3	
28	D	E2605760000		SILENCER						2	
29		40100430		BRIDGE PLATE R						1	
30		40093485		BRIDGE PLATE L						1	
31		11158516		UPPER STAND PLATE						2	
32		SL9082093SE		SCREW						10	
33		40091545		FILTER REGULATER ASM.						1	
34		SL4051091SC		SCREW M5X0.8 L=10						2	
35		WP0852086SC		WASHER M8						4	
36		NM6080001SC		NUT M8X1.25						4	
37		70005221		VALVE_B						1	
38		BT0600401EB		TUBE						2	
39		PJ308060003		UNION Y						1	
40		PJ308060005		DIFFERENT DIAMETER UNION Y						1	
41		PJ308040002		QUICK COUPLING						1	
42		BT0400251EB		URETHANE HOSE BLACK						16	
43		40067545		START SW						1	
44		SM6040802TN		SCREW						2	

TABLE STAND COMPONENTS

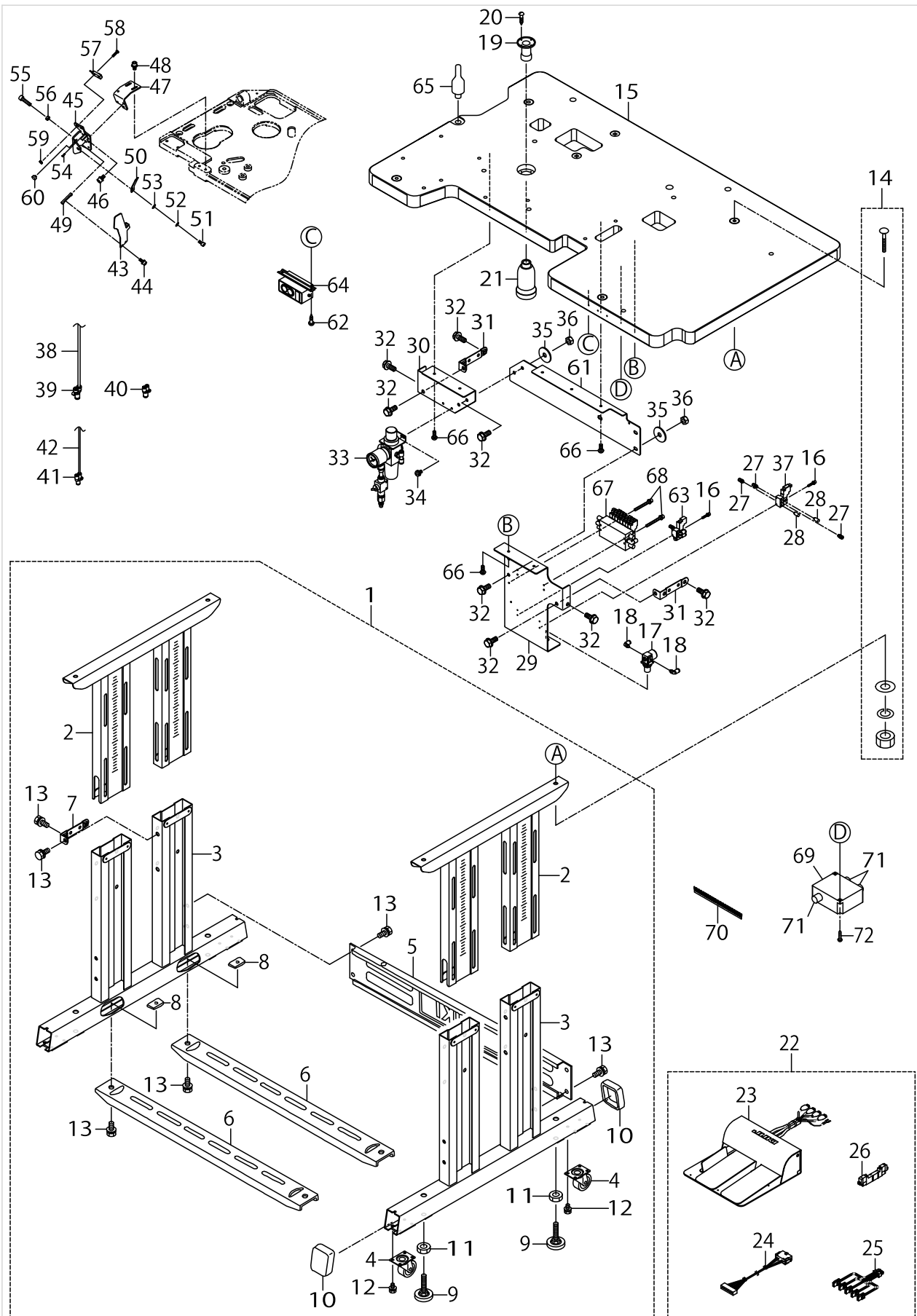
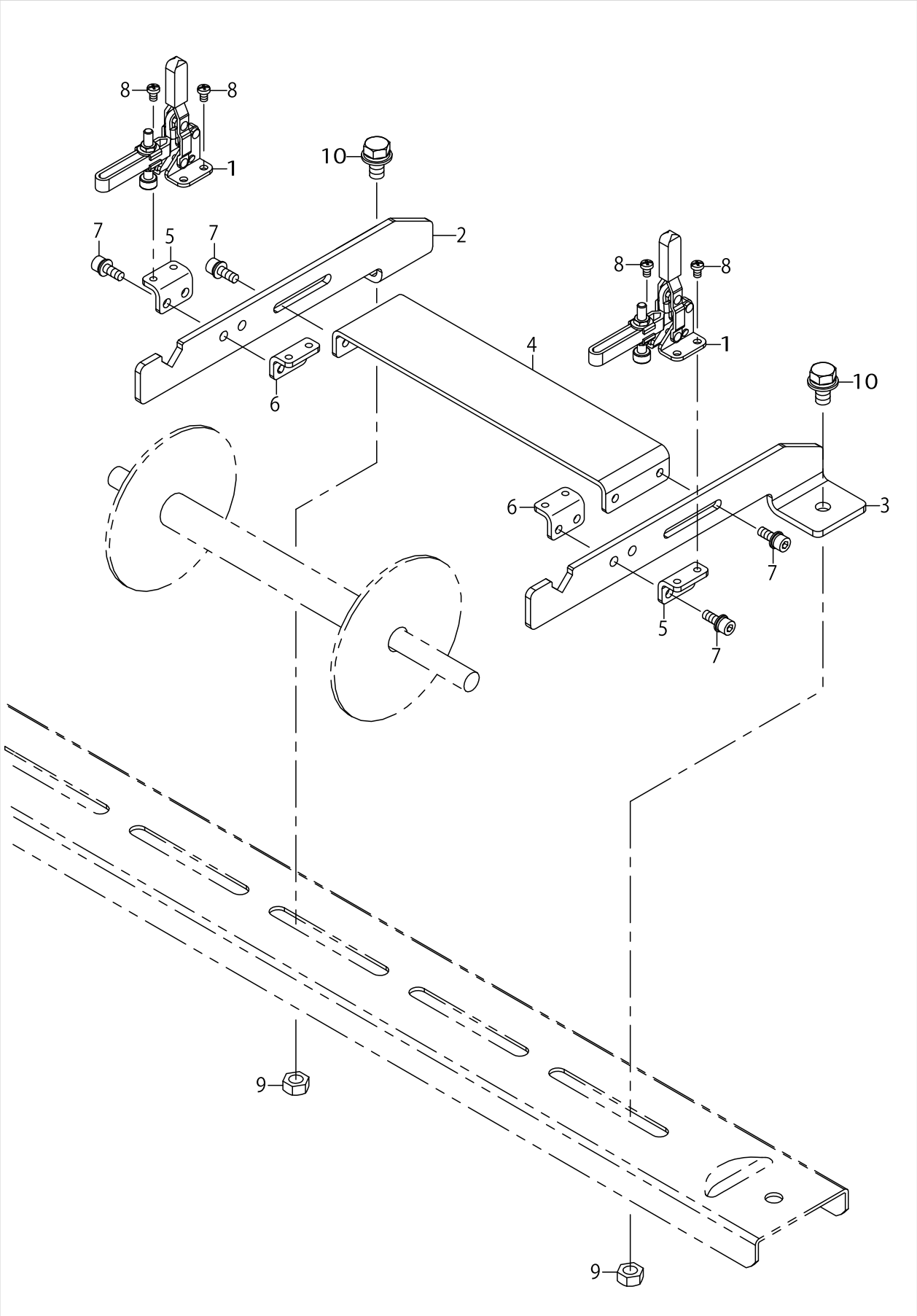


TABLE STAND COMPONENTS

No.	Supply Code	Parts No.	Replacement	Parts name	Remarks	Choice	Step	Level	Cons	Qty	Rep. QTY
45		40067541		START SW BRACKET B						1	
46		SL6051092TN		BOLT						2	
47		40067550		START SW BRACKET A						1	
48		SL6051092TN		BOLT						2	
49		17079906		START SW FULCRUM SHAFT						1	
50		17079807		START SWITCH RETURN SPRING						1	
51		SM6040602TN		BOLT						2	
52		WS0410002KN		SPRING WASHER						2	
53		WP0430800SC		WASHER M4						2	
54		PS0300102K0		SPRING PIN 3.0X10						4	
55		SM6052002TN		BOLT						1	
56		NM6050001SC		NUT M5						1	
57		40090644		START SW SENSOR ASSY						1	
58		SM4031201SC		SCREW M3X12						1	
59		NM6030003SC		NUT M3						1	
60		22955900		WIPER RUBBER A						1	
61		40101999		BRIDGE PLATE						1	
62		SK3512001SE		WOOD SCREW D=5.1 L=20						2	
63		40091548		VALVE ASSY A						1	
64		HA004250000		SWITCH						1	
65		14101208		HEAD SUPPORT BAR						1	
66		SK3513201SE		WOOD SCREW D=5.1 L=32						7	
67		40109086		MANIFOLD_VALVE_ASSY						1	
68		SL6044092TN		SCREW						4	
69		70005174		TERMINAL BOX						1	
70		70005175		SHORT BAR						1	
71		70005176		CABLE GROUND						3	
72		SK3412001SE		WOOD SCREW D=4.1 L=20						2	



LOOP PULL SUPPORT COMPONENTS



LOOP PULL SUPPORT COMPONENTS

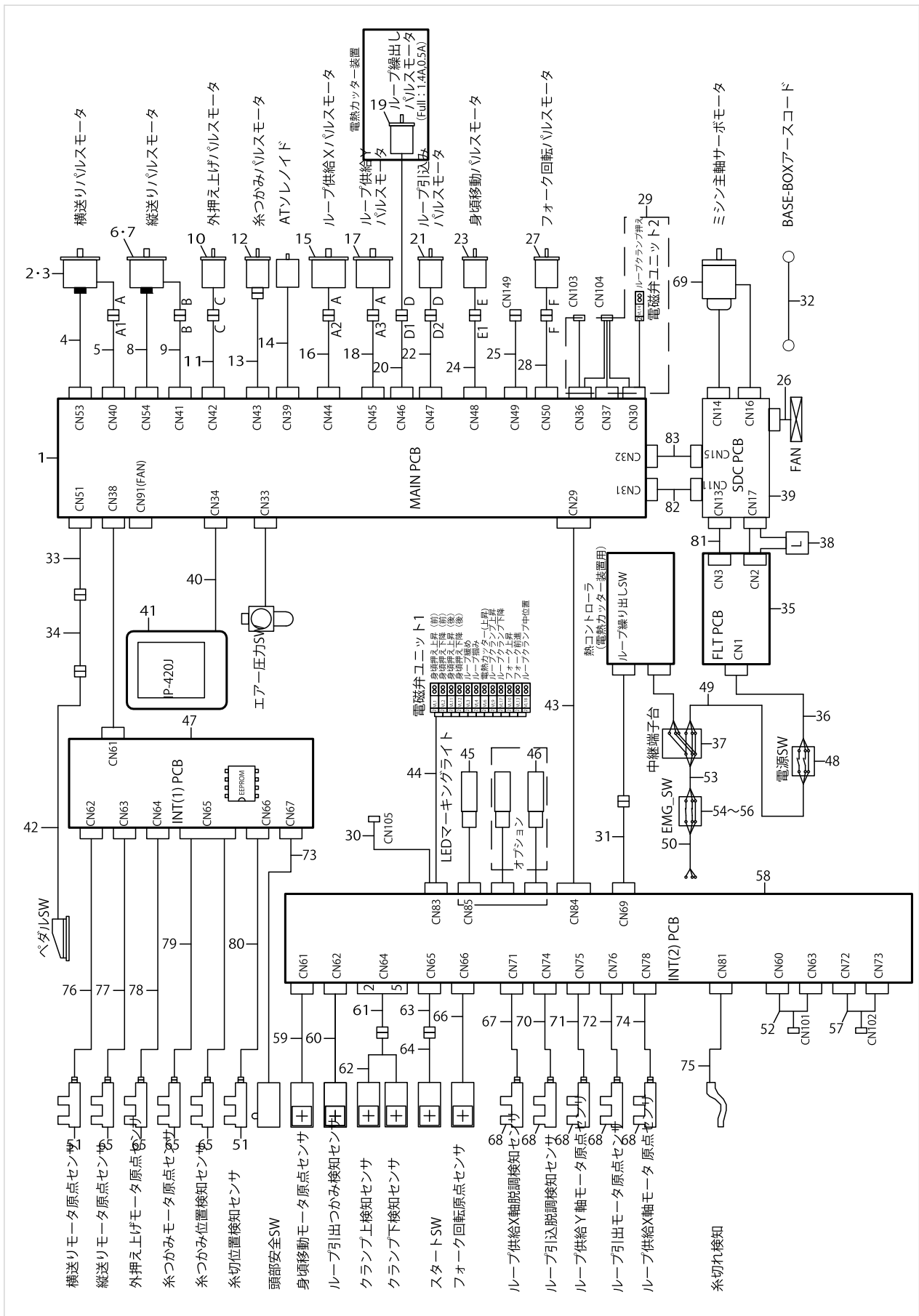
No.	Supply Code	Parts No.	Replacement	Parts name	Remarks	Choice	Step	Level	Cons	Qty	Rep. QTY
1		70005246		TOGGLE_CLAMP						2	
2		70005240		SUPPORT_LEFT						1	
3		70005241		SUPPORT_RIGHT						1	
4		70005242		STRUT						1	
5		70005243		CLAMP_SUPPORT_PLATE_LEFT						2	
6		70005244		CLAMP_SUPPORT_PLATE_RIGHT						2	
7		SL6051492TN		BOLT						8	
8		SM4040655SP		SCREW M4 L=6						8	
9		NM6080001SC		NUT M8X1.25						2	
10		SL9081693SE		HEXAGON SCREW WITH WASHER						2	



CONTROL BOX COMPONENTS

No.	Supply Code	Parts No.	Replacement	Parts name	Remarks	Choice	Step	Level	Cons	Qty	Rep. QTY
1		40055355		CONTROL BOX						1	
2		40055356		CONTROL BOX FRONT COVER						1	
3		40055357		CONTROL BOX REAR COVER						1	
4		40101200		MAIN PCB ASSY						1	
5		40082758		SDC PCB A ASSY						1	
6	R	40000046	40162838	FLT-S PCB A ASS'Y						1	1.00
7		M300451100A		VOLTAGE INDICATION CARD A						1	
8		40005394		FLT-SDC CORD S ASS'Y						1	
9		40005726		SDC-MAIN CORD P ASSY						1	
10		40005727		SDC-MAIN CORD S ASSY						1	
11		40090587		POWERCORD A ASSY						1	
12		SL4041081SC		SCREW M4 L=10						1	
13		40090589		REACTOR						1	
14		40005401		FAN MOTOR ASS'Y						1	
15		KM000000480		FAN MOTOR						1	
16		HX004070000		BUSH						1	
17		17845009		CORD FITTING PLATE						1	
18		KX000000320		BUSH						1	
19		HX005110000		WIRE SADDLE						5	
20		KX000000330		WIRE SADDLE						1	
21		E9567319000		EARTH MARK						1	
22		40003458		MASK SEAL						16	
23		HX00326000K		GROMMET						1	
24	D	40057278		ELECTRICAL RATING LABEL CE UNIVERSAL						1	
25		CM300100001		LABEL						1	
26		SL4040891SC		SCREW M4 L=8						6	
27		SL4040891SC		SCREW M4 L=8						4	
28		M3801476000		CONTROL BOX FITTING PLATE						1	
29		SL6083092TN		SCREW						4	
30		WP0841601SC		WASHER 8.4X17.4X1.6						4	
31		NM6080001SC		NUT M8X1.25						8	
32		M4206461000		WASHER						4	
33		SL4040881SC		SCREW M4 L=8						4	
34		SL4040881SC		SCREW M4 L=8						10	
35		SL4040881SC		SCREW M4 L=8						6	
36		HX003390000		STUD						6	
37		NM3040520SC		NUT M4						6	
38		SL4043591SC		SCREW						4	
39		NM3040520SC		NUT M4						4	
40		SL4040891SC		SCREW M4 L=8						2	
41		SL4040881SC		SCREW M4 L=8						2	
42		SL4041091SC		SCREW M4 L=10						2	
43		HF00130315S		FUSE 3.15A 250V REF. NO.112						1	
44		HF0013050P0		FUSE 5A						1	
45		HF003000200		FUSE 2A (220/240V)						1	

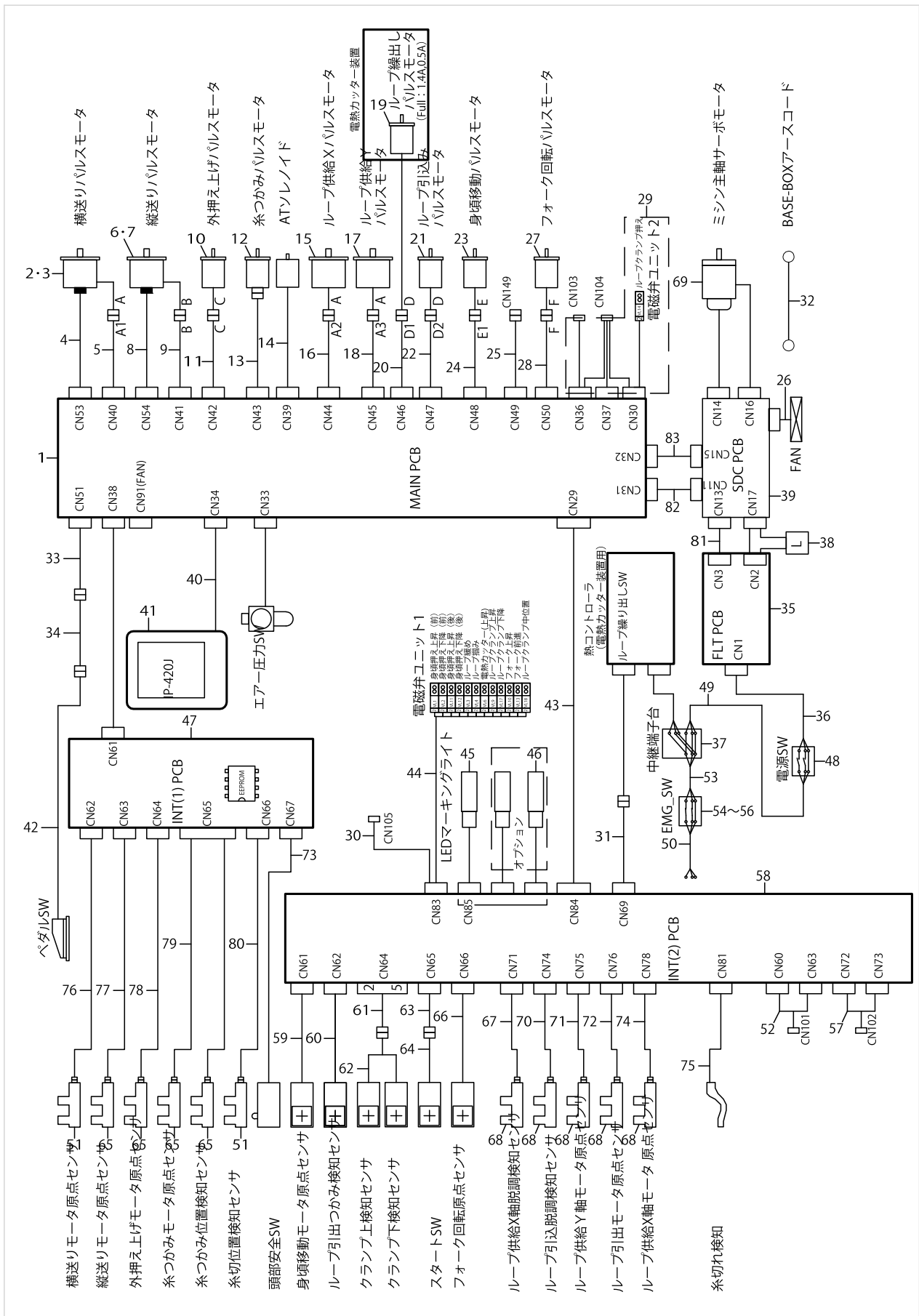
WIRING DIAGRAM



WIRING DIAGRAM

No.	Supply Code	Parts No.	Replacement	Parts name	Remarks	Choice	Step	Level	Cons	Qty	Rep. QTY
1		40101200		MAIN PCB ASSY						1	
2		40090626		X FEED MOTOR						1	
3		HD002780000		SENSOR						1	
4		40073632		X ENCODER CABLE ASM.						1	
5		40090630		X FEED MOTOR RELAY CORD						1	
6		40090627		Y FEED MOTOR						1	
7		HD002780000		SENSOR						1	
8		40073638		Y ENCODER CABLE ASM.						1	
9		40090631		Y FEED MOTOR RELAY CORD						1	
10		40090628		PRESSER LIFT MOTOR						1	
11		40090632		PRESSER LIFTING MOTOR RELAY CORD						1	
12		40075079		STEPPING MOTOR						1	
13		40090633		THREAD CLAMP MOTOR RELAY CORD						1	
14		40006628		AT_SOLENOID						1	
15		40090626		X FEED MOTOR						1	
16		40090569		LOOP SUPPLY MOTOR(X) RELAY CORD ASM.						1	
17		40090626		X FEED MOTOR						1	
18		40090570		LOOP SUPPLY MOTOR(Y) RELAY CORD						1	
19		40090634		LOOP FEED MOTOR						1	
20		40090571		LOOP FEED MOTOR RELAY CORD ASSY						1	
21		40090634		LOOP FEED MOTOR						1	
22		40090572		LOOP PULL MOTOR RELAY CORD ASSY						1	
23		40090635		CLOTH FEED MOTOR						1	
24		40090573		CLOTH FEED MOTOR RELAY CORD ASSY						1	
25		70005183		LOOP LOOSE MOTOR RELAY CORD ASSY						1	
26		40005401		FAN MOTOR ASS'Y						1	
27		70005177		FOLK MOTOR						1	
28		40090575		FORK TURN MOTOR RELAY CORD ASSY						1	
29		70005182		SENSOR/AIR SOLENOID RELAY CORD ASSY						1	
30		70005179		AIR SOLENOID VALVE CORD ASSY						1	
31		70005184		LOOP FEED SWITCH RELAY CORD ASSY						1	
32		M90206200A0		EARTH CORD ASM.						1	
33		40073659		SWRELAYCORDASM.						1	
34		40033875		PK47 RELAY CABLE ASM						1	
35	R	40000046	40162838	FLT-S PCB A ASSY						1	1.00
36		40090587		POWERCORD A ASSY						1	
37		70005174		TERMINAL BOX						1	
38		40090589		REACTOR						1	
39		40082758		SDC PCB A ASSY						1	
40		40065566		PANEL CABLE D ASM.						1	
41		40090622		IP-420J PANEL ASM.						1	
42		GPK470010AB		3-PEDAL ASM.						1	

WIRING DIAGRAM

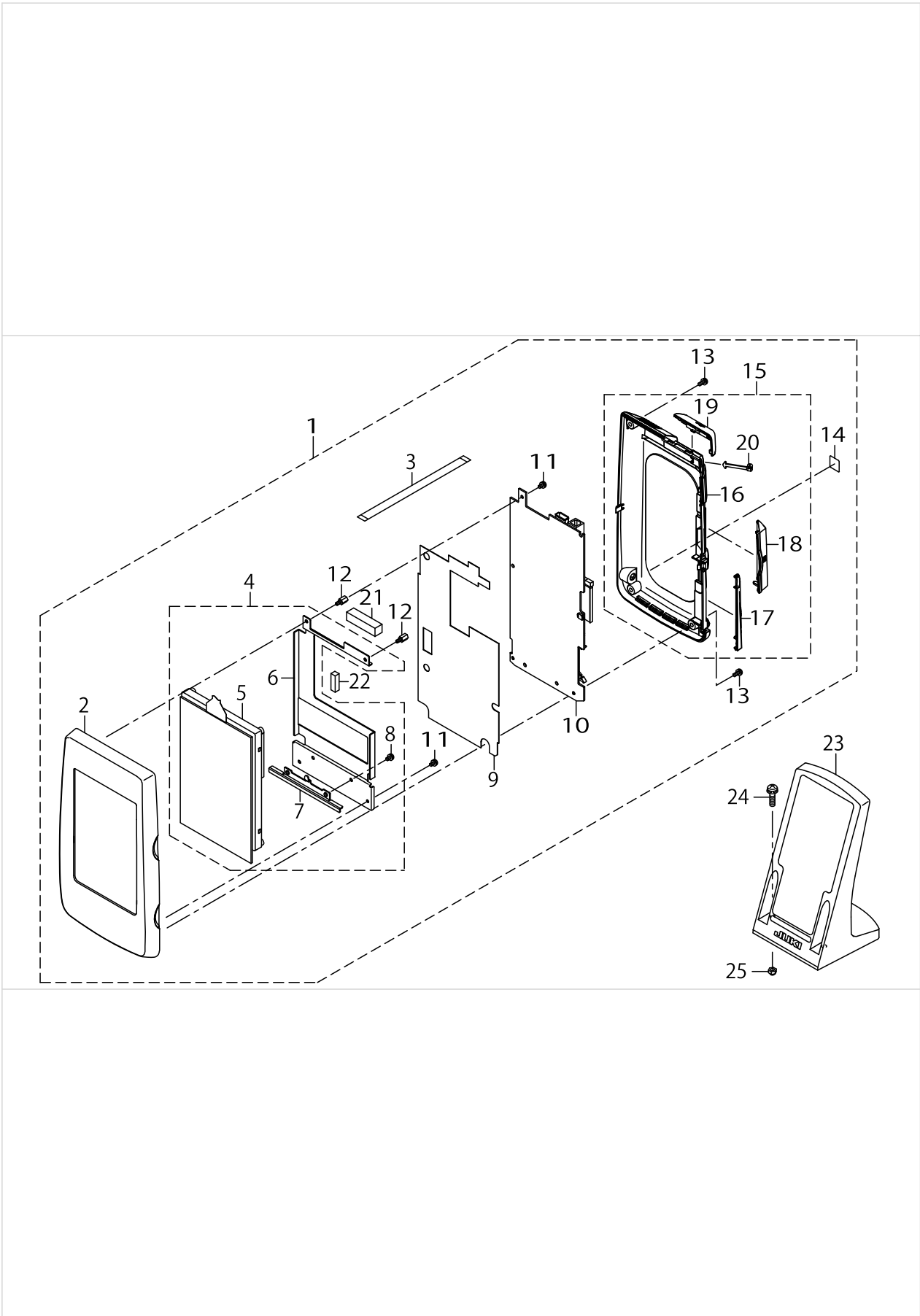


WIRING DIAGRAM

No.	Supply Code	Parts No.	Replacement	Parts name	Remarks	Choice	Step	Level	Cons	Qty	Rep. QTY
43		40043977		INT-I/F CORD A ASM.						1	
44		40090649		AIR SOLENOID VALVE CORD						1	
45		40090637		LED MARKING						1	
46		40090637		LED MARKING						1	
47		40005664		INT PCB ASM.						1	
48		HA004250000		SWITCH						1	
49		70005178		AC POWER CORD ASM.						1	
50		40058397		AC POWER CORD B ASM.						1	
51		HD002230000		PHOTO SENSOR						2	
52		70005180		SENSOR RELAY CORD ASSY						1	
53		40090584		EMG POWER CORD ASSY						1	
54		HA006280000		SWITCH						1	
55		HA006280010		SWITCH						1	
56		HA006280020		SWITCH						1	
57		70005181		SENSOR RELAY CORD ASSY						1	
58		40025260		INT PCB ASSY						1	
59		40090642		CLOTH FEED ORG SENSOR ASSY						1	
60		40090643		LOOP CATCH DETECT SENSOR ASSY						1	
61		40090657		LOOP CLAMP U/D SENSOR RELAY CORD ASM.						1	
62		40090647		LOOP CLAMP U/D DETECT SENSOR ASM.						1	
63		40090655		START SW RELAY CORD ASSY						1	
64		40090644		START SW SENSOR ASSY						1	
65		HD00057000A		PHOTO SENSOR						4	
66		40090645		FORK TURN MOTOR ORG SENSOR ASSY						1	
67		40090577		LOOP SUPPLY MOTOR(X)STEP-OUT CORD ASM.						1	
68		HD00057000A		PHOTO SENSOR						5	
69		40028015		AC SERVO MOTOR						1	
70		40090581		LOOP PULL MOTOR STEP-OUT SENSOR CORD ASM						1	
71		40090578		LOOP SUPPLY MOTOR(Y)ORG SENSOR CORD ASM.						1	
72		40090580		LOOP PULL MOTOR ORG SENSOR CORD ASM.						1	
73		40005734		SAFETY SW CABLE ASM.						1	
74		40090576		LOOP SUPPLY MOTOR(X)ORG SENSOR CORD ASM.						1	
75		40090646		THB SENSOR CABLE ASSY						1	
76		40005730		X SENSOR CABLE ASM.						1	
77		40005731		Y SENSOR CABLE ASM.						1	
78		40005732		PF SENSOR CABLE ASM.						1	
79		40005729		TH SENSOR CABLE ASM.						1	
80		40005733		TT SENSOR CABLE ASM.						1	
81		40005394		FLT-SDC CORD S ASS'Y						1	
82		40005726		SDC-MAIN CORD P ASSY						1	
83		40005727		SDC-MAIN CORD S ASSY						1	



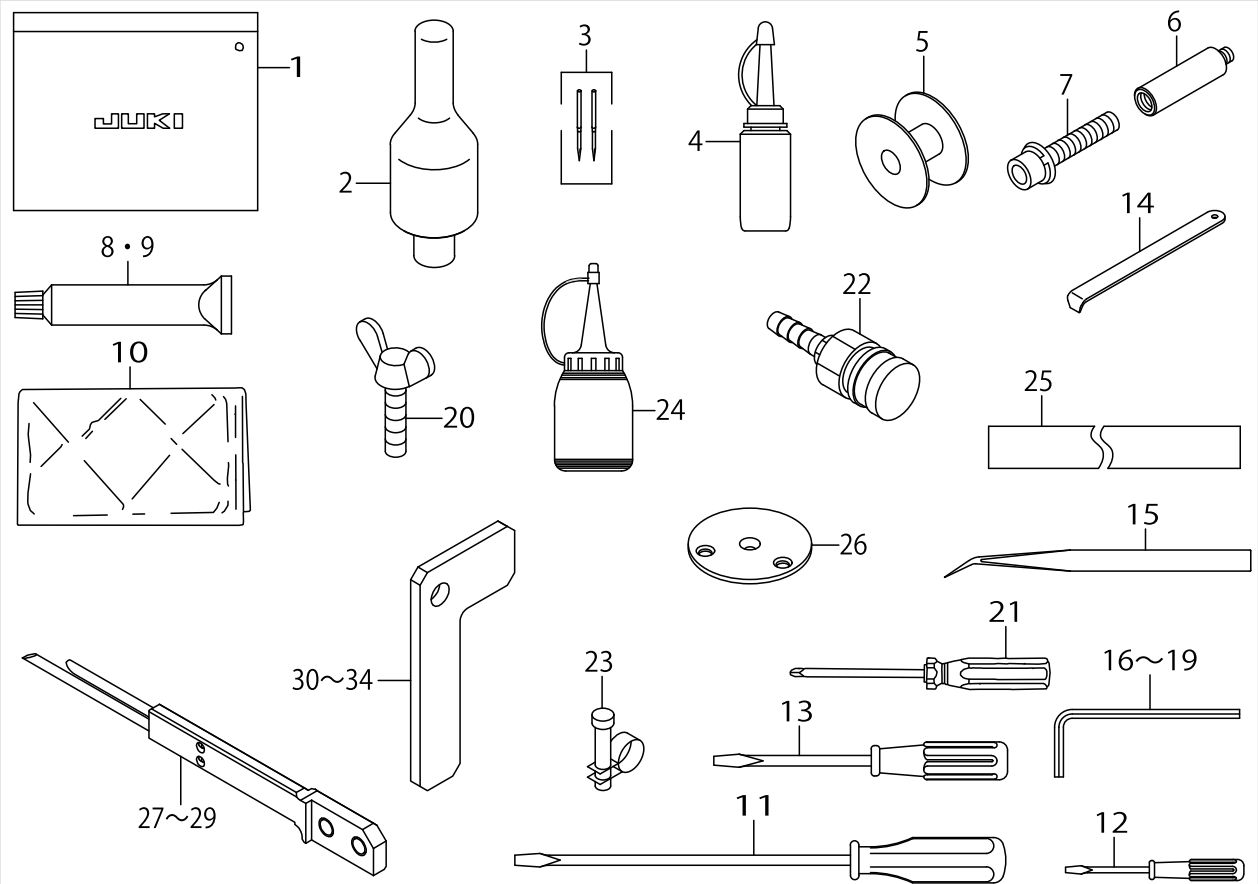
OPERATION PANEL COMPONENTS



OPERATION PANEL COMPONENTS

No.	Supply Code	Parts No.	Replacement	Parts name	Remarks	Choice	Step	Level	Cons	Qty	Rep. QTY
1	R	40086192	40181848	PANEL ASSY						1	1.00
2		40078163		FRONT CASE				*		1	
3	R	HW002180200	HW002650330	FLAT CABLE		A		*		1	1.00
3	R	HW002180200	40083668	FLAT CABLE		A		*		1	1.00
3	R	HW002180200	40086541	FLAT CABLE		A		*		1	1.00
3	R	HW002180200	40166481	FLAT CABLE		A		*		1	1.00
3	R	HW002180200	40166318	FLAT CABLE		A		*		1	1.00
4		40080800		LCD ASSY				*		1	
5		40086541		LCD TOUCH PANEL ASSY	TECHNICAL INFOMATI- ON (A16-029)			*		1	
6		40083668		LCD BRACKET	TECHNICAL INFOMATI- ON (A16-029)			*		1	
7	R	40083666	40080800	LCD STAY				*		1	1.00
8		SL4030681SC		SCREW M3 L=6				*		2	
9		40078168		INSULATION SHEET				*		1	
10	R	40083960	40086541	PANEL PCB ASSY		A		*		1	1.00
10	R	40083960	40083668	PANEL PCB ASSY		A		*		1	1.00
10	R	40083960	40166481	PANEL PCB ASSY		A		*		1	1.00
10	R	40083960	40166318	PANEL PCB ASSY		A		*		1	1.00
10	R	40083960	HW002650330	PANEL PCB ASSY		A		*		1	1.00
11		SL4030681SC		SCREW M3 L=6				*		3	
12		HX00354000B		PCB SUPPORT L=8MM				*		2	
13		SL4030881SC		SCREW M3 L=8				*		4	
14		CM600100101		WEEE MARK LABEL S				*		1	
15		40080799		REAR CASE ASSY				*		1	
16	R	40078166	40080799	REAR CASE				*		1	1.00
17		40078162		CONNECTOR COVER				*		1	
18		40083667		CF COVER				*		1	
19		40078167		USB COVER				*		1	
20		40078164		UNITY STRING				*		1	
21		40096507		GASKET A				*		1	
22		40096508		GASKET B				*		1	
23		40035024		OPERATION BOX FI- XED PLATE(B)ASM.						1	
24		SL4042591SC		SCREW M4 L=25						2	
25		NM7040062SB		NUT M4						2	

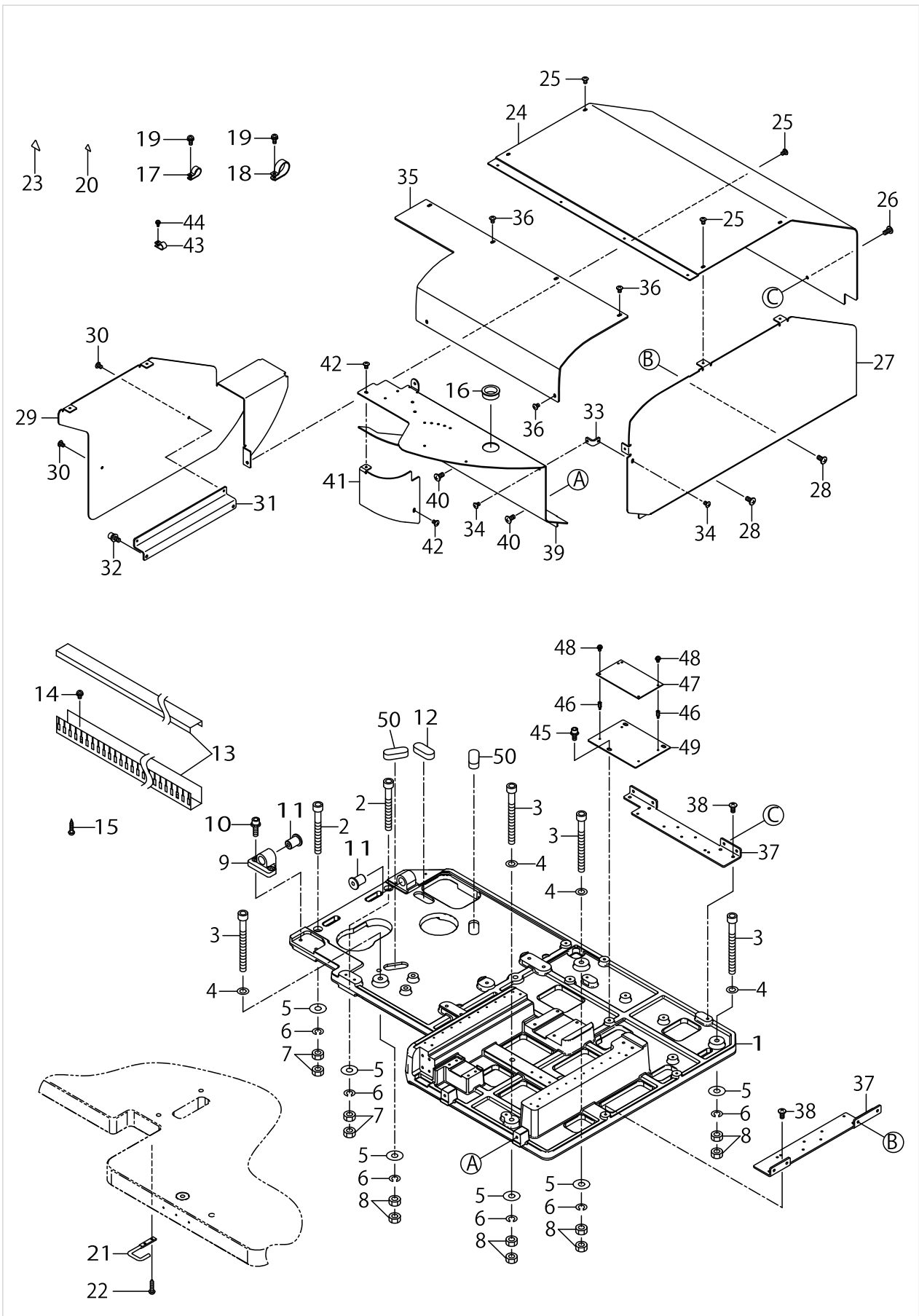
ACCESSORIES PARTS COMPONENTS



ACCESSORIES PARTS COMPONENTS

No.	Supply Code	Parts No.	Replacement	Parts name	Remarks	Choice	Step	Level	Cons	Qty	Rep. QTY
1		22932800		ACCESSORIE BAG						1	
2		14101208		HEAD SUPPORT BAR						1	
3	R	MDP170B1802	MDP170B1800	NEEDLE DPX17#18-2						1	1.00
4		B91212200A0		OILER (CONTAINING NO.2 OIL)						1	
5		13812102		BOBBIN						1	
6		40036110		GREASE JOINT B						1	
7		SM6084002TN		SCREW M8 L=40						1	
8		40013640		JUKI GREASE B TUBE						1	
9		40006323		JUKI GREASE A TUBE						1	
10		40049817		COVER						1	
11		22933006		SCREW DRIVER LARGE						1	
12		22933204		SCREW DRIVER SMALL						1	
13		22933105		SCREW DRIVER MIDDLE						1	
14		B9101490000		DRIVER						1	
15		12288403		TWEEZERS						1	
16		J106600000C		HEXAGONAL WRENCH KEY 2.5						1	
17		J106600000D		HEXAGONAL WRENCH KEY						1	
18		J106600000F		HEXAGONAL WRENCH KEY						1	
19		J106600000G		HEXAGONAL WRENCH KEY						1	
20	D	GES01022000		VERTICAL ADJUSTMENT SCREW						2	
21		J1071000000		CROSS SCREW DRIVER 2						1	
22		PJ309520001		SOCKET						1	
23		PB000010000		HOSE BAND						1	
24		J1067000A00		OILER						1	
25		40066088		TAPE						.4	
26		14109607		NEEDLE HOLE GUIDE						1	
27		70005195		FORK_PIN_BS_ASM						1	
28		70005201		FORK_PIN_BS_ASM						1	
29		70005203		FORK_PIN_BS_ASM						1	
30		70005323		STOPPER_PLATE						1	
31		70005324		STOPPER_PLATE						1	
32		70005325		STOPPER_PLATE						1	
33		70005327		STOPPER_PLATE						1	
34		70005328		STOPPER_PLATE						1	

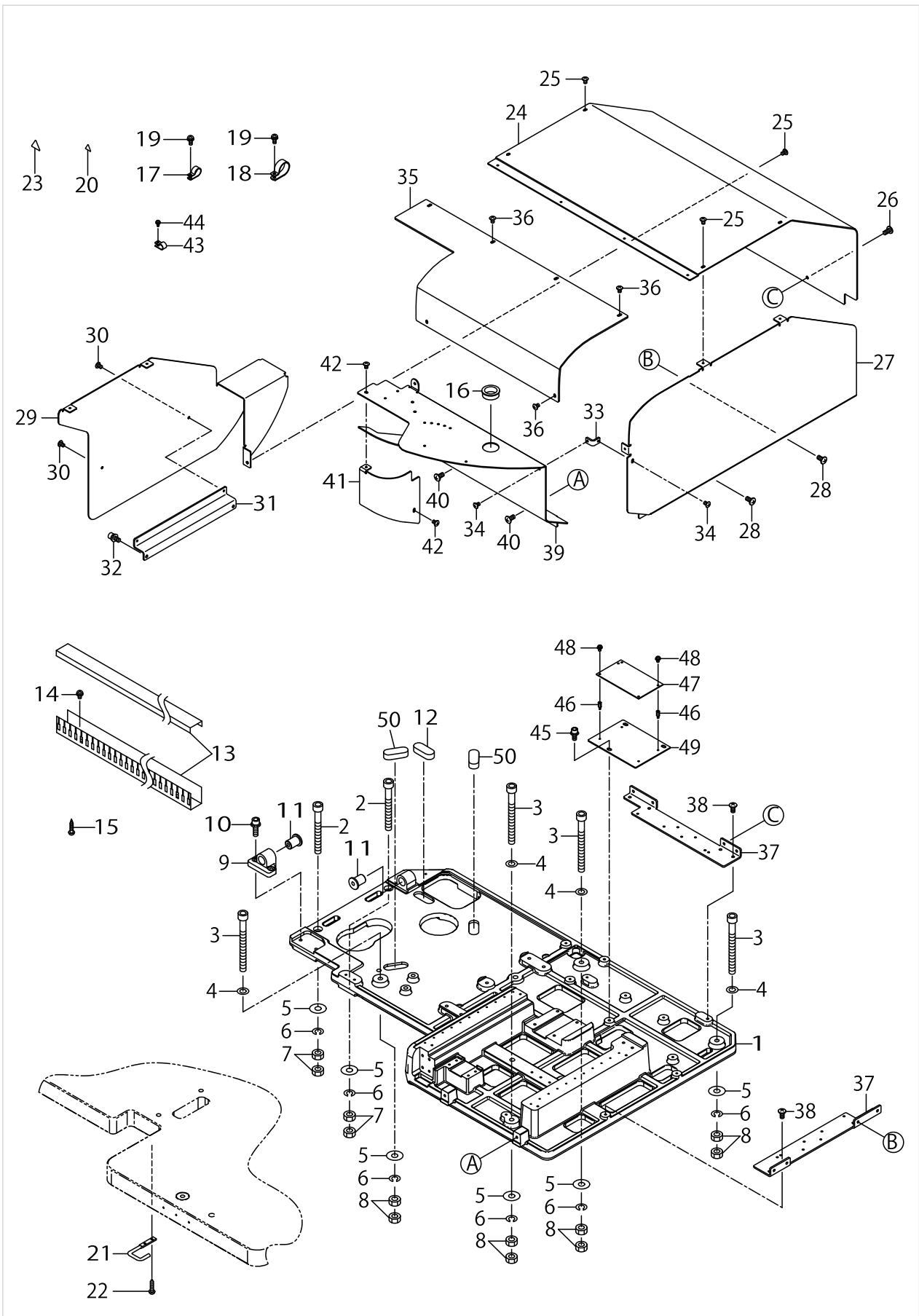
MECHANISM & MISCELLANEOUS COVER COMPONENTS



MECHANISM & MISCELLANEOUS COVER COMPONENTS

No.	Supply Code	Parts No.	Replacement	Parts name	Remarks	Choice	Step	Level	Cons	Qty	Rep. QTY
1		40093466		UNIT BASE						1	
2		SM6087002TN		SCREW M8 L=70						2	
3		SM6088502TP		SCREW M8 L=85						4	
4		WP0841601SC		WASHER 8.4X17.4X1.6						4	
5		WP0852086SC		WASHER M8						6	
6		WS0820002KN		SPRING WASHER M8						6	
7		NM6080001SC		NUT M8X1.25						4	
8		NM6080003SC		NUT M8						8	
9		G5506254000		FRAME FIXING HINGE						1	
10		SL6062042TN		BOLT						2	
11		40068638		BASE PLATE BUSH						2	
12		40093468		RUBBER_PAD						1	
13		HX000130000		CONDUIT						.25	
14		SL4041091SC		SCREW M4 L=10						4	
15		SK3382001SE		SCREW D=3.8 L=20						3	
16		HX00188000E		BUSH						1	
17		HX00150000H		CABLE CLIP						3	
18		HX00150000N		CABLE CLIP						2	
19		SL4041091SC		SCREW M4 L=10						5	
20		CM300200001		ATTENTION SEAL						3	
21		40110938		LOOP GUIDE	WITHOUT LOOP PULL SUPPORT (AB-1351**A*)					1	
22		SK3382001SE		SCREW D=3.8 L=20	WITHOUT LOOP PULL SUPPORT (AB-1351**A*)					2	
23		CM300200002		CAUTION LABEL(25)						4	
24		40093438		ROOF COVER						1	
25		SM0040601SC		SCREW M4X0.7 L=6						5	
26		SM0051001SC		SCREW						2	
27		40093437		RIGHT COVER						1	
28		SM0051001SC		SCREW						2	
29		40093435		LEFT COVER						1	
30		SM0040601SC		SCREW M4X0.7 L=6						2	
31		40093436		LEFT COVER BR						1	
32		SL6051292TN		BOLT						2	
33		40075985		COVER ANGLE						1	
34		SM0040601SC		SCREW M4X0.7 L=6						2	
35		70005247		WINDOW_COVER						1	
36		SM0040601SC		SCREW M4X0.7 L=6						6	
37		40093450		SBC BRACKET L						2	
38		SM0051001SC		SCREW						4	
39		70005239		FRONT_COVER						1	
40		SM0051001SC		SCREW						2	
41		70005280		FRONT_UNDER_COVER						1	
42		SM0040601SC		SCREW M4X0.7 L=6						2	
43		HX00150000D		CABLE CLIP						4	

MECHANISM & MISCELLANEOUS COVER COMPONENTS

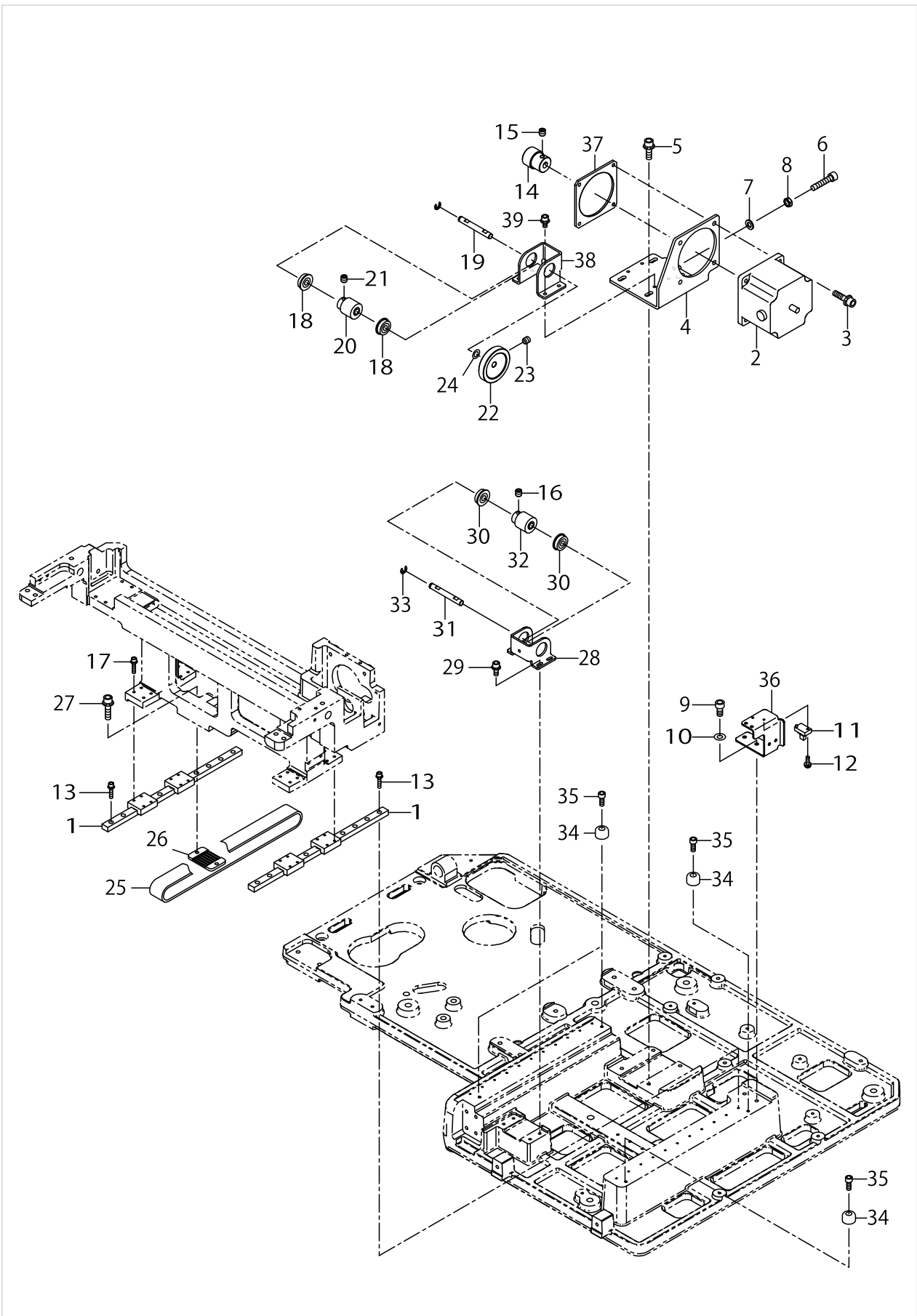


MECHANISM & MISCELLANEOUS COVER COMPONENTS

No.	Supply Code	Parts No.	Replacement	Parts name	Remarks	Choice	Step	Level	Cons	Qty	Rep. QTY
44		SL4040891SC		SCREW M4 L=8						4	
45		SL6051292TN		BOLT						3	
46		HX00056000B		SPACER						4	
47		40025260		INT PCB ASSY						1	
48		SL4030691SC		SCREW M3X6						4	
49		40100431		INT PCB PLATE						1	
50		70005468		RUBBER PAD ASM.						2	



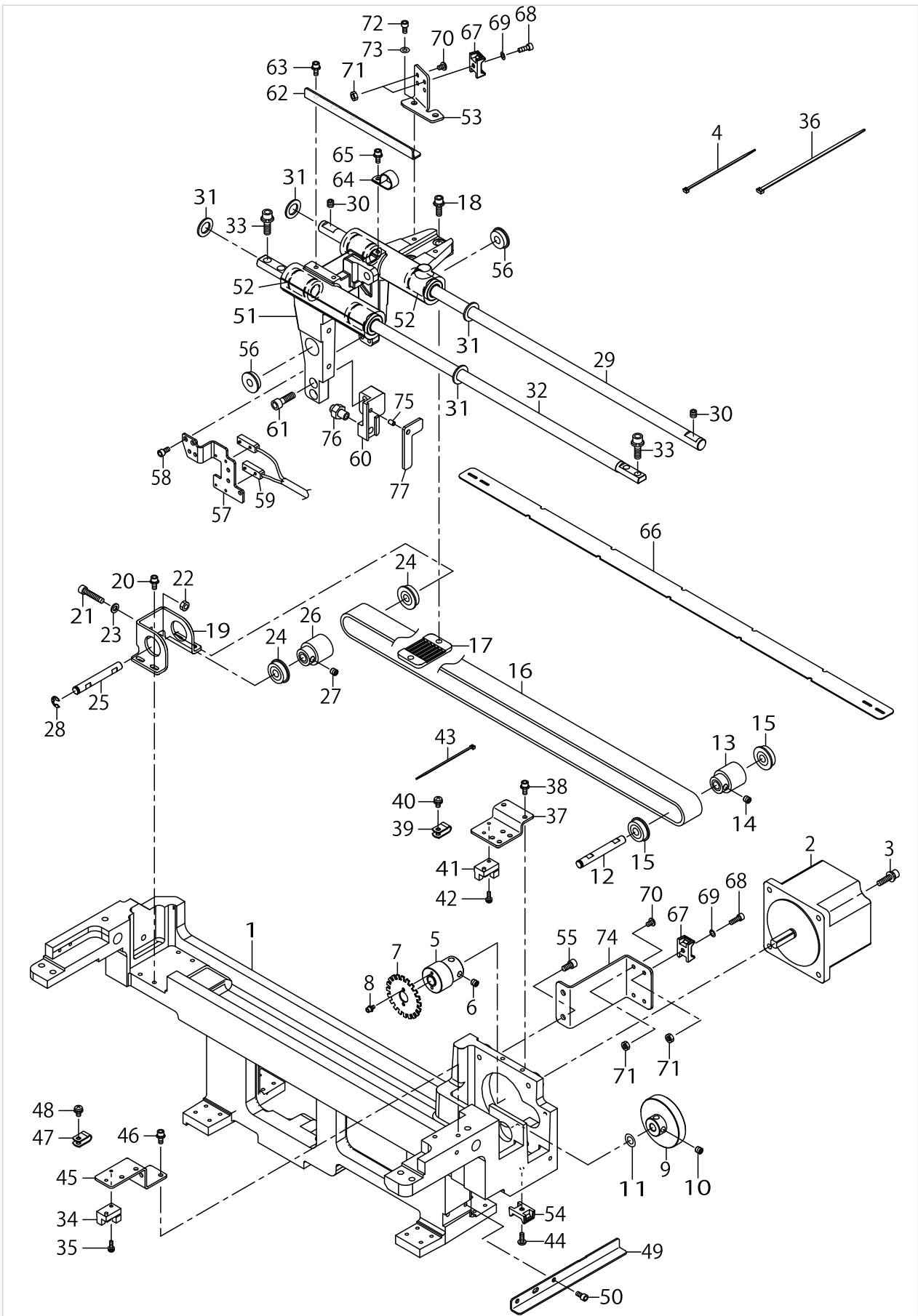
# Y MOVEMENT COMPONENTS



Y MOVEMENT COMPONENTS

No.	Supply Code	Parts No.	Replacement	Parts name	Remarks	Choice	Step	Level	Cons	Qty	Rep. QTY
1		40109547		L_LINEAR_GUIDE						2	
2		40090626		X FEED MOTOR						1	
3		SL6052092TN		SCREW						4	
4		40111144		Y_MOTOR_BRAKET						1	
5		SL6051692TN		BOLT						4	
6		SM6052502TN		HEXAGONAL-HOLE BOLT						1	
7		WP0531001SC		WASHER						1	
8		NM6050003SC		NUT M5X0.8						1	
9		SM6051002TN		BOLT						2	
10		WP0531001SC		WASHER						2	
11		HD00057000A		PHOTO SENSOR						1	
12		SL4031081SC		SCREW M3X10						2	
13		SL6031492TN		SCREW M3 L=14						16	
14		40066844		DRIVE GEAR						1	
15		SM8060602TP		SCREW M6X6						2	
16		SM8060612TP		SCREW M6 L=6						2	
17		SL6031492TN		SCREW M3 L=14						16	
18		SB108000500		RADIAL BEARING						2	
19		40077178		DRIVE SPROCKET SHAFT						1	
20		40109552		DRIVE_SPROCKET						1	
21		SM8060612TP		SCREW M6 L=6						2	
22		40066845		IDLER GEAR 66						1	
23		SM8060612TP		SCREW M6 L=6						2	
24		WP0820526SD		WASHER 8.2X14X0.5						1	
25		40109551		TIMING_BELT						1	
26		40032219		BELT RECEIVER						1	
27		SL6052092TN		SCREW						2	
28		40032191		Y DRIVEN BRACKET						1	
29		SL6041092TN		SCREW						4	
30		SB108000500		RADIAL BEARING						2	
31		40077178		DRIVE SPROCKET SHAFT						1	
32		40109552		DRIVE_SPROCKET						1	
33		RE0600000K0		E-RING 6						1	
34		G5009172000		STOPPER RUBBER						4	
35		SL6041242TN		BOLT						4	
36		40091420		SENSOR BRACKET Y						1	
37		40123249		Y_MOTOR_NUT_PLATE						1	
38		40111143		Y_DRIVEN_BRAKET						1	
39		SL6040892TN		BOLT						4	

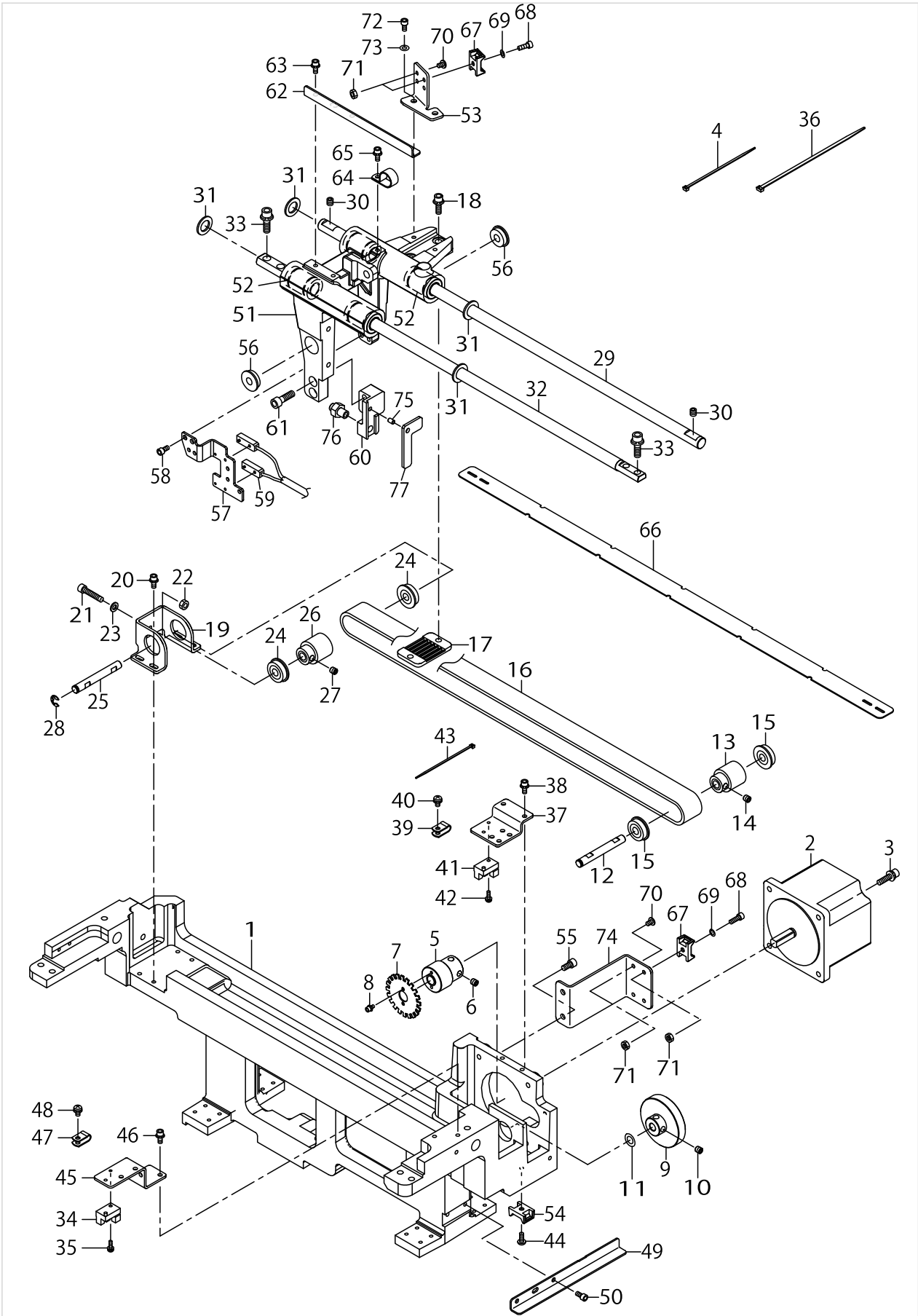
X MOVEMENT COMPONENTS



X MOVEMENT COMPONENTS

No.	Supply Code	Parts No.	Replacement	Parts name	Remarks	Choice	Step	Level	Cons	Qty	Rep. QTY
1		40091457		XY BASE						1	
2		40090626		X FEED MOTOR						1	
3		SL6052092TN		SCREW						4	
4		EA9500B0100		CABLE BAND						20	
5		40066844		DRIVE GEAR						1	
6		SM8060602TP		SCREW M6X6						2	
7		40078127		DETECTIVE PLATE						1	
8		SM6030502TN		SCREW M3 L=5						2	
9		40066845		IDLER GEAR 66						1	
10		SM8060612TP		SCREW M6 L=6						2	
11		WP0820526SD		WASHER 8.2X14X0.5						1	
12		40077178		DRIVE SPROCKET SHAFT						1	
13		40109552		DRIVE_SPROCKET						1	
14		SM8060612TP		SCREW M6 L=6						2	
15		SB108000500		RADIAL BEARING						2	
16		40109550		TIMING_BELT						1	
17		40032219		BELT RECEIVER						1	
18		SL6051692TN		BOLT						2	
19		40032191		Y DRIVEN BRACKET						1	
20		SL6041092TN		SCREW						4	
21		SM6052502TN		HEXAGONAL-HOLE BOLT						1	
22		NM6050001SC		NUT M5						1	
23		WP0531001SC		WASHER						1	
24		SB108000500		RADIAL BEARING						2	
25		40077178		DRIVE SPROCKET SHAFT						1	
26		40109552		DRIVE_SPROCKET						1	
27		SM8060612TP		SCREW M6 L=6						2	
28		RE0600000K0		E-RING 6						1	
29		40111404		X_GUIDE_SHAFT_A						1	
30		SM8060612TP		SCREW M6 L=6						2	
31		11234408		SOLENOID RUBBER						4	
32		40091449		X GUIDE SHAFT B						1	
33		SL6062092TN		SCREW M6 L=20						4	
34		HD00057000A		PHOTO SENSOR						1	
35		SL4031081SC		SCREW M3X10						1	
36		EA9500B0200		CABLE BAND 150						20	
37		40091455		SENSOR PLATE XD						1	
38		SM6040802TN		SCREW						2	
39		HX00150000A		CABLE CLAMP						1	
40		SL4040891SC		SCREW M4 L=8						1	
41		HD00057000A		PHOTO SENSOR						1	
42		SL4031081SC		SCREW M3X10						1	
43		EA9500B0100		CABLE BAND						1	
44		SM4041001SN		SCREW M4X0.7 L=10						1	
45		40091456		SENSOR PLATE X HP						1	
46		SM6040802TN		SCREW						2	

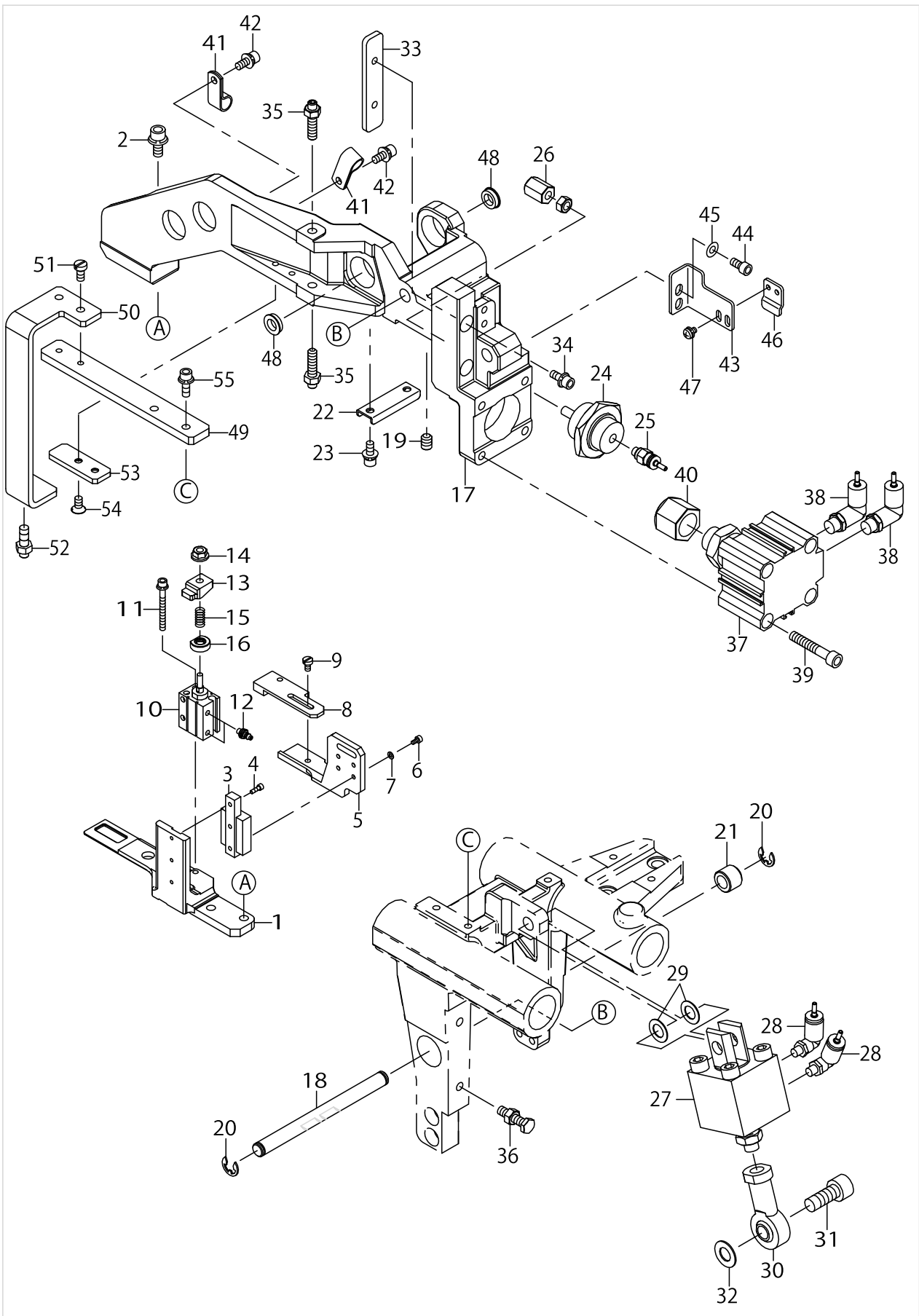
X MOVEMENT COMPONENTS



X MOVEMENT COMPONENTS

No.	Supply Code	Parts No.	Replacement	Parts name	Remarks	Choice	Step	Level	Cons	Qty	Rep. QTY
47		HX00150000A		CABLE CLAMP						2	
48		SL4040891SC		SCREW M4 L=8						2	
49		40108790		Y HP SENSOR PLATE						1	
50		SM6040802TN		SCREW						2	
51		40096105		X M FRAME						1	
52		40110934		BEARING						4	
53		40091494		TUBE GUIDE PLATE						1	
54		HX004540000		TIE MOUNT						1	
55		SM6051002TN		BOLT						3	
56		SB108002200		BEARING						2	
57		40092996		SENSOR BRKT CF						1	
58		SM6040802TN		SCREW						2	
59		40090647		LOOP CLAMP U/D DETECT SENSOR A						1	
60		70005213		STOPPER_BLOCK						1	
61		SM6062002TP		SCREW M6 L=20						2	
62		40108790		Y HP SENSOR PLATE						1	
63		SM6040802TN		SCREW						2	
64		HX00150000L		CABLE CLIP						1	
65		SL4040891SC		SCREW M4 L=8						1	
66		40091462		TUBE SUPPORT						2	
67		HX004540000		TIE MOUNT						2	
68		SM6041002TN		BOLT						2	
69		WP0460556SD		WASHER 4.6X7.5X0.5						2	
70		SM0040601SC		SCREW M4X0.7 L=6						2	
71		NM6040003SC		NUT M4						4	
72		SM6040802TN		SCREW						2	
73		WP0430801SE		WASHER 4.3X9X0.8						2	
74		40091493		CORD CLAMP PLATE						1	
75		22682405		SLIDER BLOCK PIN						1	
76		70005245		MAGNET_SCREW						1	
77		70005326		STOPPER_PLATE						1	

LOOP CLAMP COMPONENTS

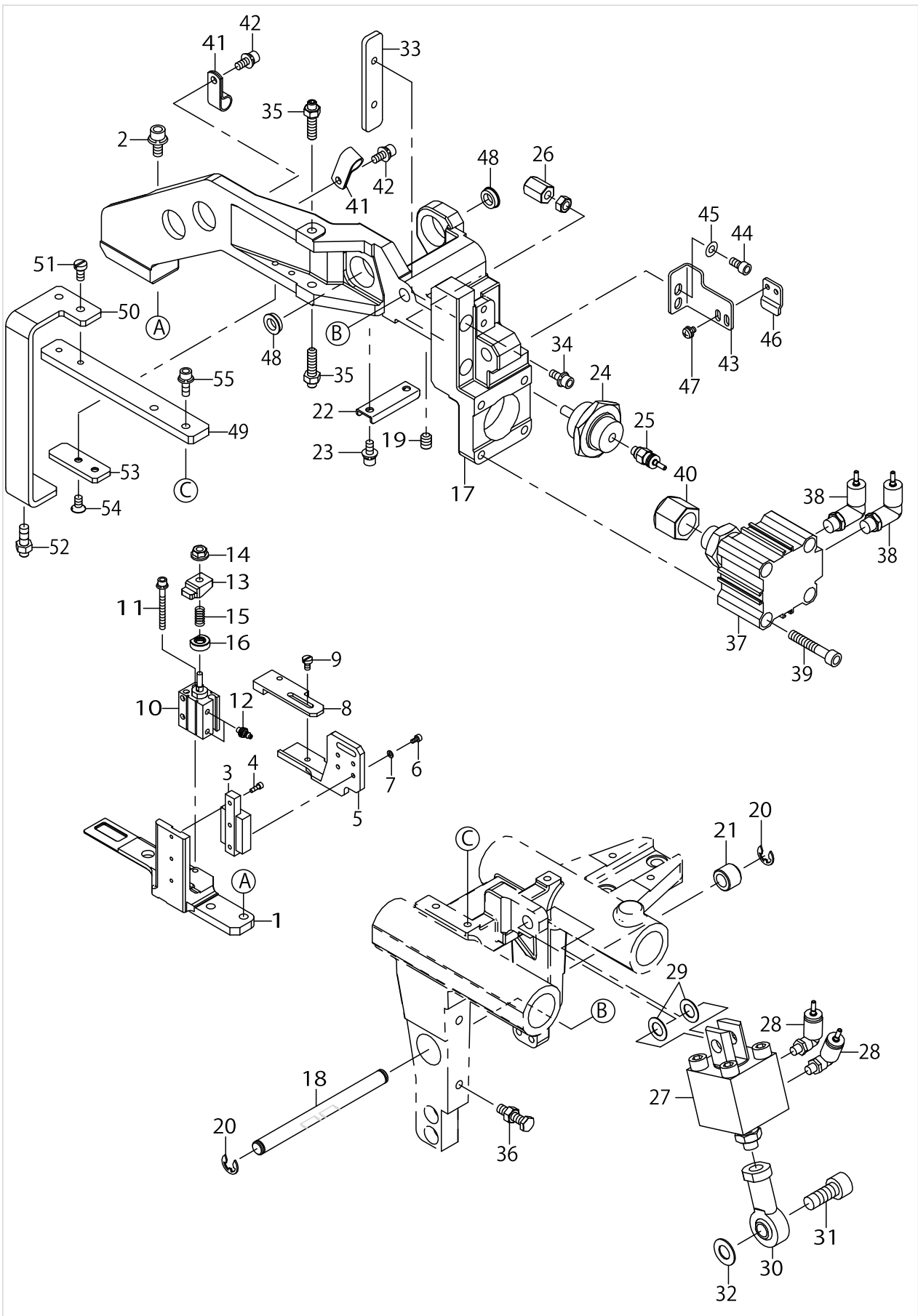


LOOP CLAMP COMPONENTS

No.	Supply Code	Parts No.	Replacement	Parts name	Remarks	Choice	Step	Level	Cons	Qty	Rep. QTY
1		70005207		LOOP_CLAMP_BASE						1	
2		SL6051292TN		BOLT						2	
3		40109549		LC_LINER_GUIDE						1	
4		SM6020602TN		SCREW M2 L=6						3	
5		70005458		LOOP CLAMP UPPER						1	
6		SM6020402TN		BOLT M2 L=4						4	
7		WP0220300SC		WASHER						4	
8		70005208		LOOP_CLAMP_C						1	
9		SM6030500SN		SCREW M3 L=5						1	
10		PA0601017A0		AIR CYLINDER						1	
11		SM6033002TN		SCREW M3 L=30						2	
12		PJ032039001		CONNECTOR						2	
13		40092999		CYLINDER BLOCK M4						1	
14		NM3040520SF		FLANGE NUT M4						1	
15		40077829		CYLINDER SPRING						1	
16		40077847		SPRING HOLDER						1	
17		70005211		LOOP_CLAMP_FRAME						1	
18		40092916		C F PIVOT						1	
19		SM8060812TP		SCREW M6 L=8						2	
20		RE0600000K0		E-RING 6						2	
21		40077177		SPACE COLLAR						1	
22		40067820		TUBE CLAMP						1	
23		SL6041092TN		SCREW						2	
24		PA1500505A0		AIR CYLINDER						1	
25		PJ301040502		HALF UNION 4XM5						1	
26		40092934		ROD CAP M5						1	
27		PA200100300		THIN-TYPE CYLINDER						1	
28		PJ304040504		ELBOW UNION						2	
29		WP0820526SD		WASHER 8.2X14X0.5						2	
30		16138109		ROD						1	
31		SM6082502TN		BOLT						1	
32		B1223771000		NEEDLE ROD CRANK WASHER						1	
33		40092931		STOPPER PLATE						1	
34		SL6041092TN		SCREW						2	
35		40093288		STOPPER SCREW A						2	
36		40093289		STOPPER SCREW B						1	
37		PA3200503A0		AIR CYLINDER						1	
38		PJ304040504		ELBOW UNION						2	
39		SM6053002TP		SCREW M5X0.8 L=30						4	
40		40103227		ROD CAP M14						1	
41		HX00150000C		CABLE CLIP						2	
42		SL6041092TN		SCREW						2	
43		40092997		SENSOR PLATE CF						1	
44		SM6040802TN		SCREW						2	
45		WP0430801SE		WASHER 4.3X9X0.8						2	
46		40092998		SENSOR PLATE SUB						1	



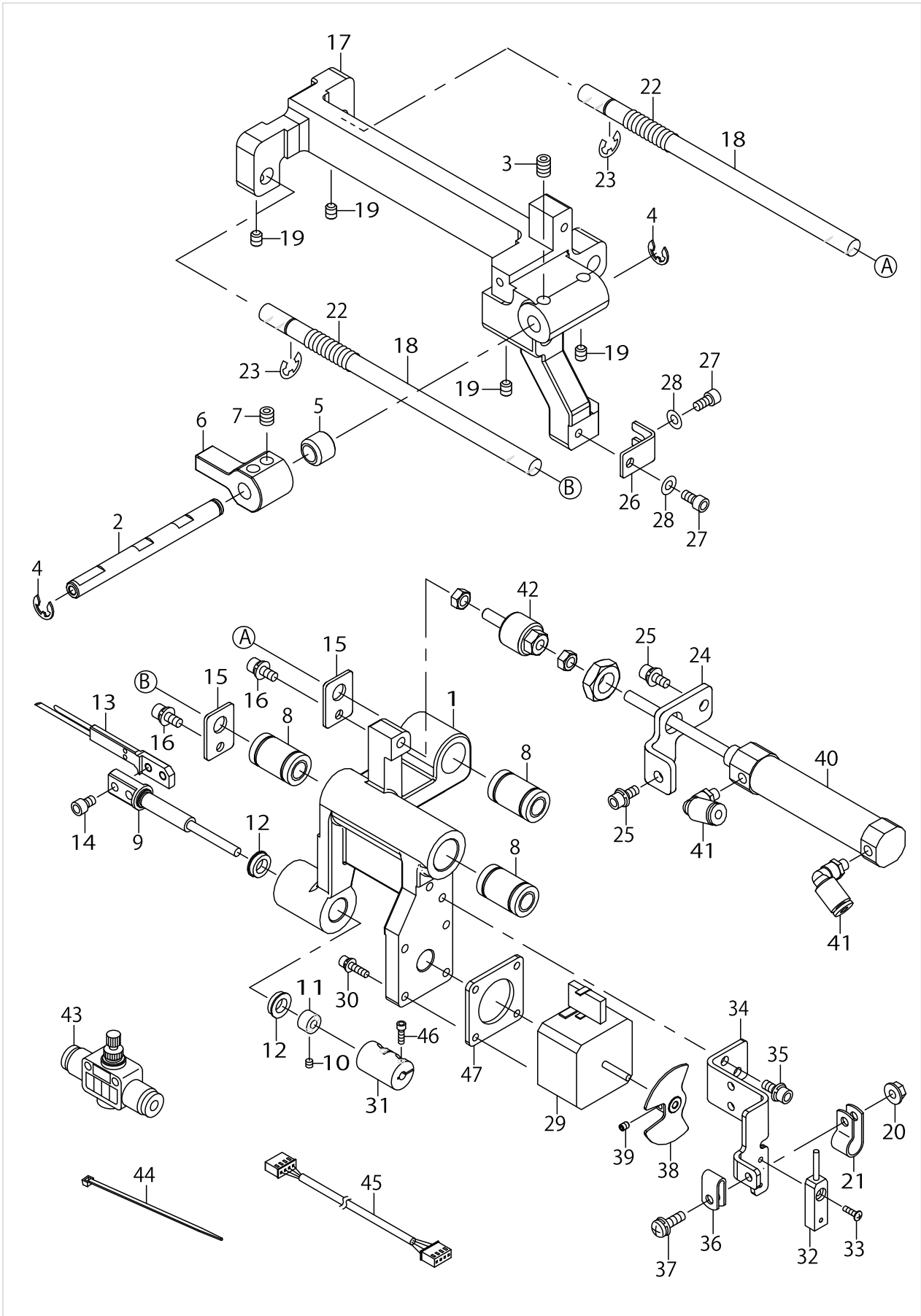
LOOP CLAMP COMPONENTS



LOOP CLAMP COMPONENTS

No.	Supply Code	Parts No.	Replacement	Parts name	Remarks	Choice	Step	Level	Cons	Qty	Rep. QTY
47		SL4030581SC		COMBINATION SCREW M3X5						2	
48		SB108002200		BEARING						2	
49		70005210		BLOCK						1	
50		70005209		STOPPER_BRACKET						1	
51		SM6040800SP		SCREW						2	
52		70005249		ADJUSTING_SCREW_SET						1	
53		70005212		STOPPER_PLATE						1	
54		SM1040800SP		SCREW						2	
55		SL6041292TN		SCREW						2	

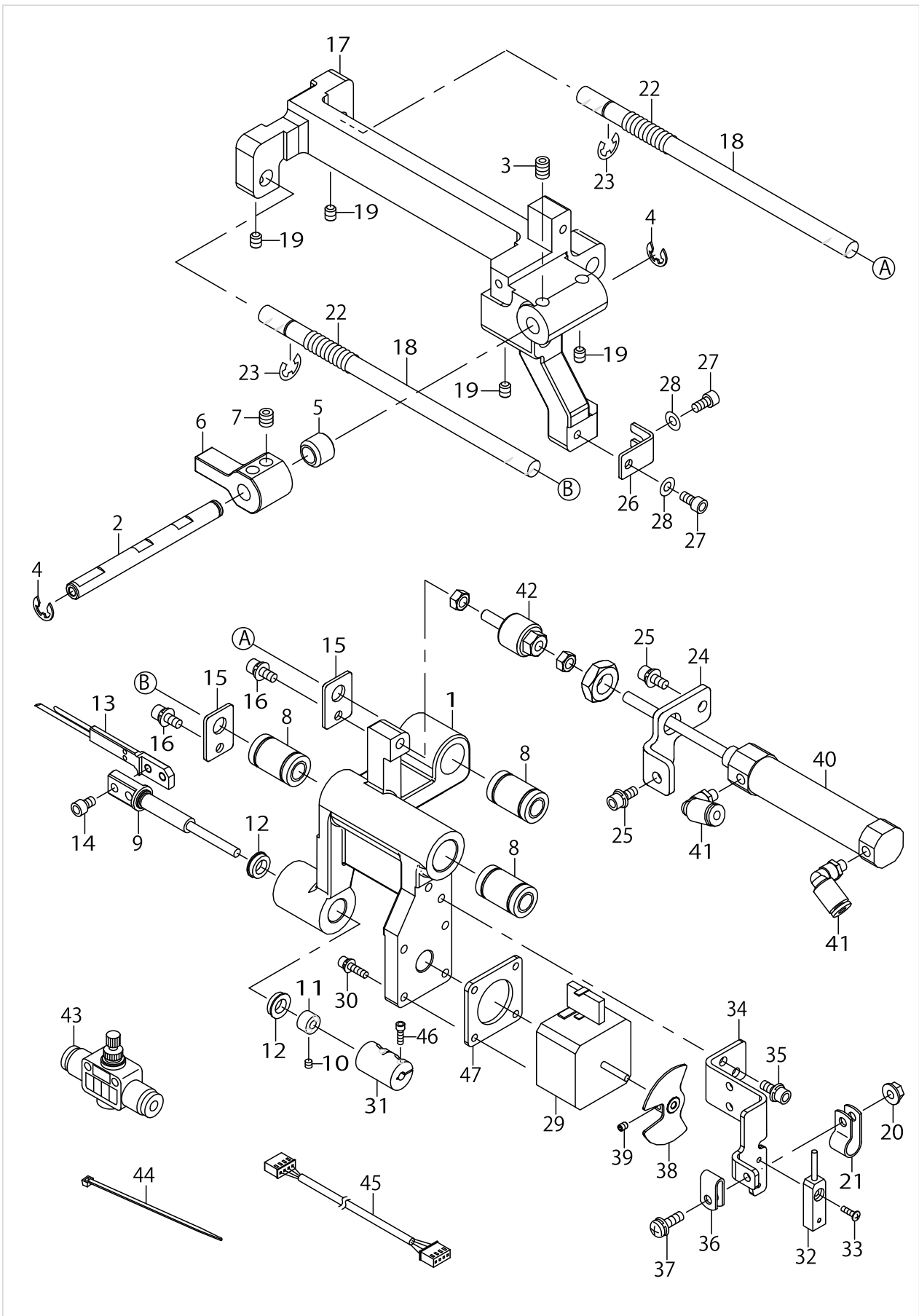
FORK COMPONENTS



FORK COMPONENTS

No.	Supply Code	Parts No.	Replacement	Parts name	Remarks	Choice	Step	Level	Cons	Qty	Rep. QTY
1		40096107		FORK BASE						1	
2		40092926		FORK F PIVOT						1	
3		SM8060812TP		SCREW M6 L=8						2	
4		RE0600000K0		E-RING 6						1	
5		40077177		SPACE COLLAR						1	
6		40092910		STOPPER F						1	
7		SM8060612TP		SCREW M6 L=6						2	
8		40110932		BEARING						3	
9		40099407		FORK SHAFT						1	
10		SM8030312TP		SCREW M3 L=3						2	
11		CS0400671TP		THRUST COLLAR D=4 W=5.5						1	
12		SB107000400		BEARING						2	
13		70005199		FORK_PIN_BS_ASM					☆	1	
14		SM6040652TP		SCREW M4 L=6						2	
15		40092929		SPRING HOLDER R						2	
16		SM6040802TN		SCREW						2	
17		40096106		FORK FRAME						1	
18		40092925		F GUIDE SHAFT						2	
19		SM8050612TP		SCREW M5X6						4	
20		NM3040520SC		NUT M4						1	
21		HX00150000C		CABLE CLIP						1	
22		40092930		SPRING DAMPER						2	
23		RE0600000K0		E-RING 6						2	
24		40092927		CYLINDER BRACKET						1	
25		SL6041092TN		SCREW						2	
26		40092993		PROTECT PLATE						1	
27		SM6040802TN		SCREW						2	
28		WP0430801SE		WASHER 4.3X9X0.8						2	
29		70005177		FOLK MOTOR						1	
30		SL6031292TN		BOLT						4	
31		40111701		FORK_COUPLING						1	
32		40090645		FORK TURN MOTOR ORG SENSOR ASSY						1	
33		SM0850801SC		SCREW M2.5 L=8						1	
34		70005205		SENER_BRACKET_FM						1	
35		SM6040602TN		BOLT						2	
36		HX001500000		CLIP						1	
37		SL4041491SC		SCRE W4X14						1	
38		40092935		SENSOR SLIT F ASM.						1	
39		SM8030412TP		SCREW						2	
40		PA1604510A0		AIR CYLINDER						1	
41		PJ304040504		ELBOW UNION						2	
42		PX5000100A0		FLOATING JOINT						1	
43		PC012401000		SPEED CONTROLLER						2	
44		EA9500B0100		CABLE BAND						5	
45		40090575		FORK TURN MOTOR RELAY CORD ASSY						1	

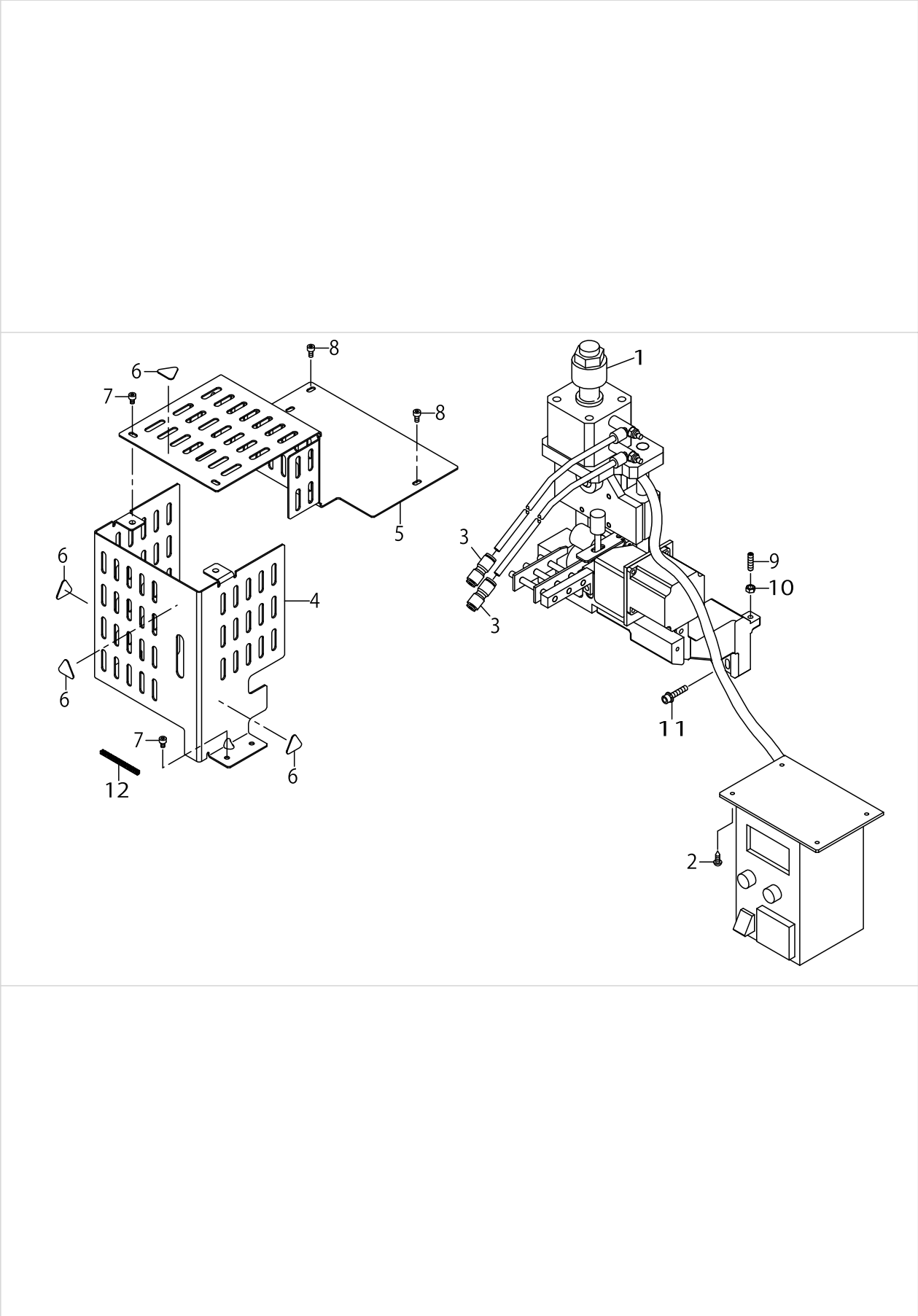
FORK COMPONENTS



FORK COMPONENTS

No.	Supply Code	Parts No.	Replacement	Parts name	Remarks	Choice	Step	Level	Cons	Qty	Rep. QTY
46		SM6850802TN		SCREW M2.5 L=8						1	
47		70005206		BRACKET						1	

HEAT CUTTER COMPONENTS

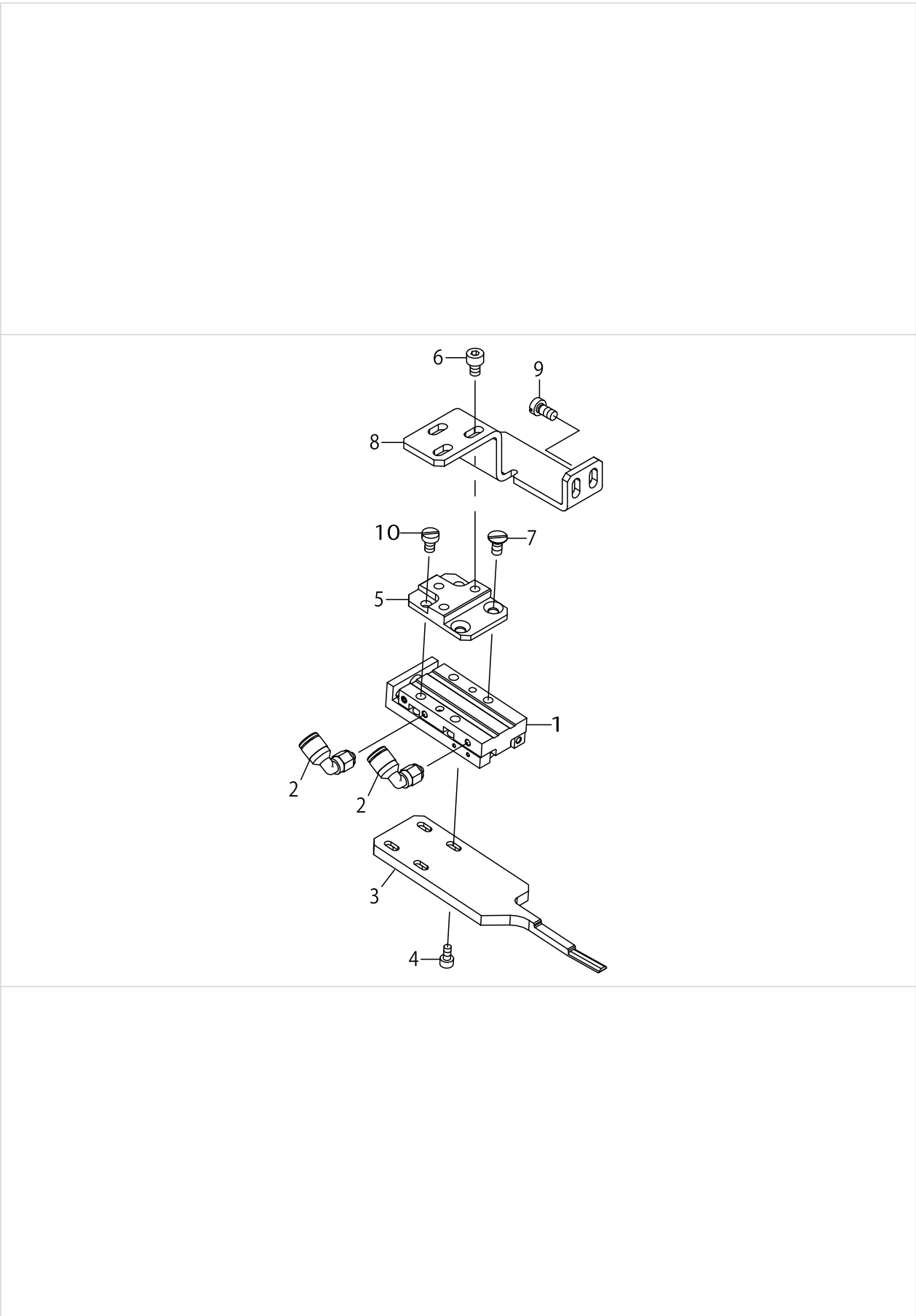


## HEAT CUTTER COMPONENTS

No.	Supply Code	Parts No.	Replacement	Parts name	Remarks	Choice	Step	Level	Cons	Qty	Rep. QTY
1	D	70005192		LOOP_FEED_CUT_DEVISE						1	
2		SK3412001SE		WOOD SCREW D=4.1 L=20						4	
3		PJ303060003		UNION						2	
4		70005193		COVER						1	
5		70005194		COVE_REAR						1	
6		CM300300002		LABEL2 (25)						4	
7		SM6040602TP		SCREW M4 L=6						4	
8		SM6040802TP		SCREW M4X0.7 L=8						3	
9		SM8052002TP		SCREW M5X0.8 L=20						1	
10		NM6050001SC		NUT M5X0.8 TYPE1						1	
11		SL6052592TN		BOLT						2	
12	D	E5348033100		CABLE PROTECTOR 106MM						1	



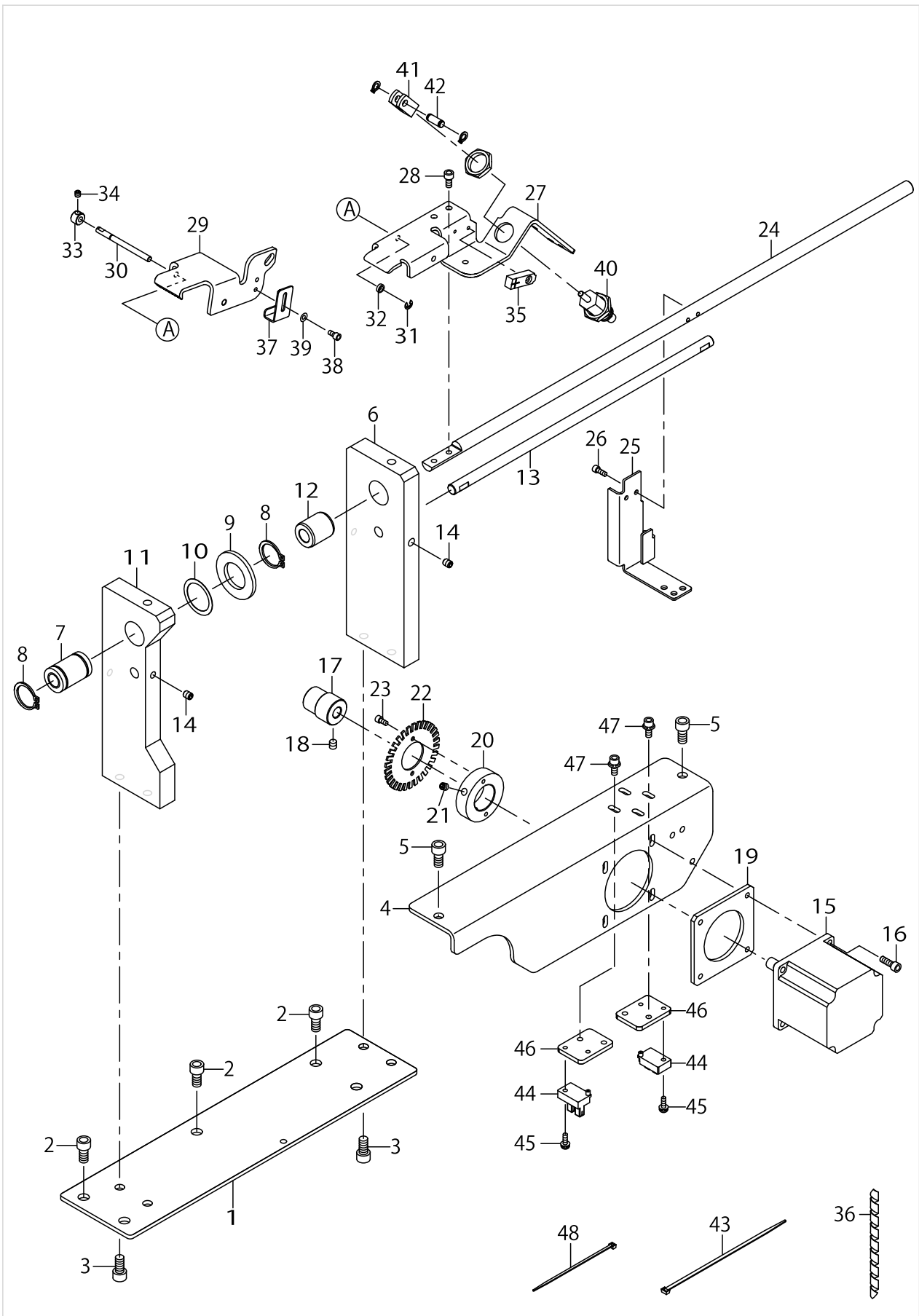
LOOP LOOSENER COMPONENTS



LOOP LOOSENER COMPONENTS

No.	Supply Code	Parts No.	Replacement	Parts name	Remarks	Choice	Step	Level	Cons	Qty	Rep. QTY
1		70005231		AIR_CYLINDER						1	
2		PJ304040301		UNION ELBOW M3						2	
3		70005232		LOOSENER						1	
4		SM6030602TP		SCREW M3X0.5 L=6						4	
5		70005233		BASE						1	
6		SM6040602TP		SCREW M4 L=6						3	
7		SM1040800SP		SCREW						2	
8		70005234		BRACKET						1	
9		SM6040800SP		SCREW						2	
10		SM6040600SP		SCREW M4 L=6						2	

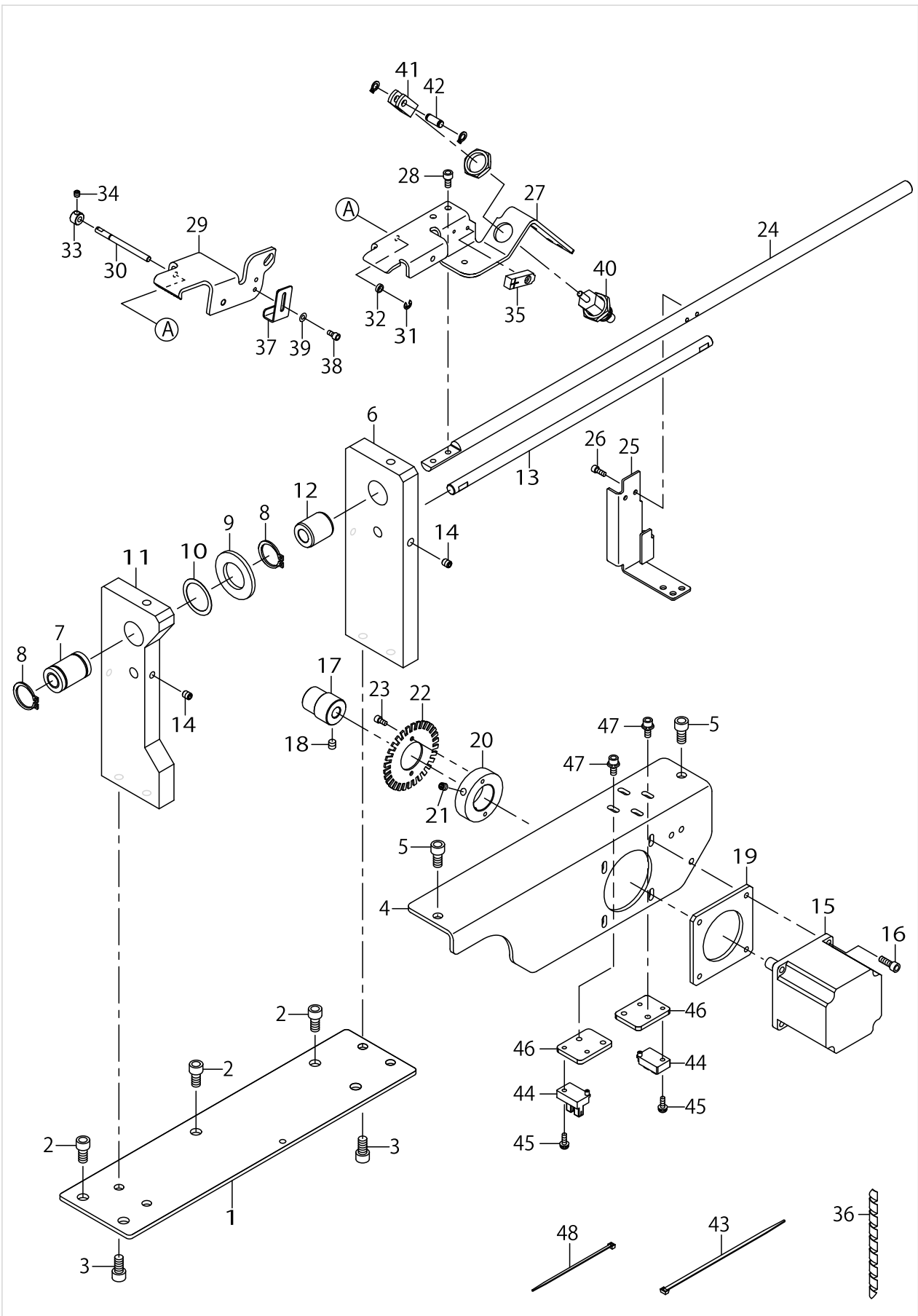
CLAMP FEED COMPONENTS



CLAMP FEED COMPONENTS

No.	Supply Code	Parts No.	Replacement	Parts name	Remarks	Choice	Step	Level	Cons	Qty	Rep. QTY
1		40110724		CLAMP_FEED_BASE_PLATE						1	
2		SM6061202TN		BOLT						5	
3		SM6061202TN		BOLT						4	
4		40091388		MOTOR BASE						1	
5		SM6061202TN		BOLT						2	
6		40110725		BEARING_PLATE_R						1	
7		SB710000200		SLIDE BEARING						1	
8		RC1900001KP		C-RING						2	
9		WP2103001SE		PLAIN WASHER						1	
10		WZ2200300KP		WAVED WASHER						1	
11		40110726		BEARING_PLATE_F						1	
12		23612807		METAL A						1	
13		40091390		GUIDE SHAFT						1	
14		SM8050612TP		SCREW M5X6						2	
15		40090634		LOOP FEED MOTOR						1	
16		SM6041202TN		SCREW M4X0.7 L=12						4	
17		40091391		CLAMP FEED MOTOR GEAR						1	
18		SM8050592TP		SCREW						2	
19		40071742		MOTOR NUT PLATE						1	
20		40091392		D PLATE BOSS						1	
21		SM8050512TP		SCREW						2	
22		40091393		DETECTIVE PLATE						1	
23		SM6030602TN		HEX SCREW M3X6						2	
24		40091394		CLAMP FEED SHAFT						1	
25		40091395		CLAMP FEED GUIDE PLATE						1	
26		SM6030802TN		BOLT						2	
27		40091398		LOOP CLAMP BASE PLATE						1	
28		SM6040802TN		SCREW						2	
29		40091399		LOOP CLAMP LEVER						1	
30		40091400		LOOP CLAMP LEVER SHAFT						1	
31		RE0300000K0		E-RING 3						1	
32		13440904		SPACER 1						1	
33		13172903		COLLAR						1	
34		SM8040412TP		SET SCREW M4 L=4						1	
35		40090643		LOOP CATCH DETE- CT SENSOR ASSY						1	
36		HX001890000		SPIRAL TUBE						.7	
37		40066677		LOOPSENSORPLATE						1	
38		SM6030602TN		SCREW M3X6						2	
39		WP0320500SC		WASHER M3						2	
40		PA1001025A0		PIN CYLINDER						1	
41		40091401		JOINT						1	
42		16905606		KNUCKLE PIN B						1	
43		EA9500B0200		CABLE BAND 150						2	
44		HD00057000A		PHOTO SENSOR						2	
45		SL4031081SC		SCREW M3X10						2	
46		40091402		SENSOR PLATE						2	

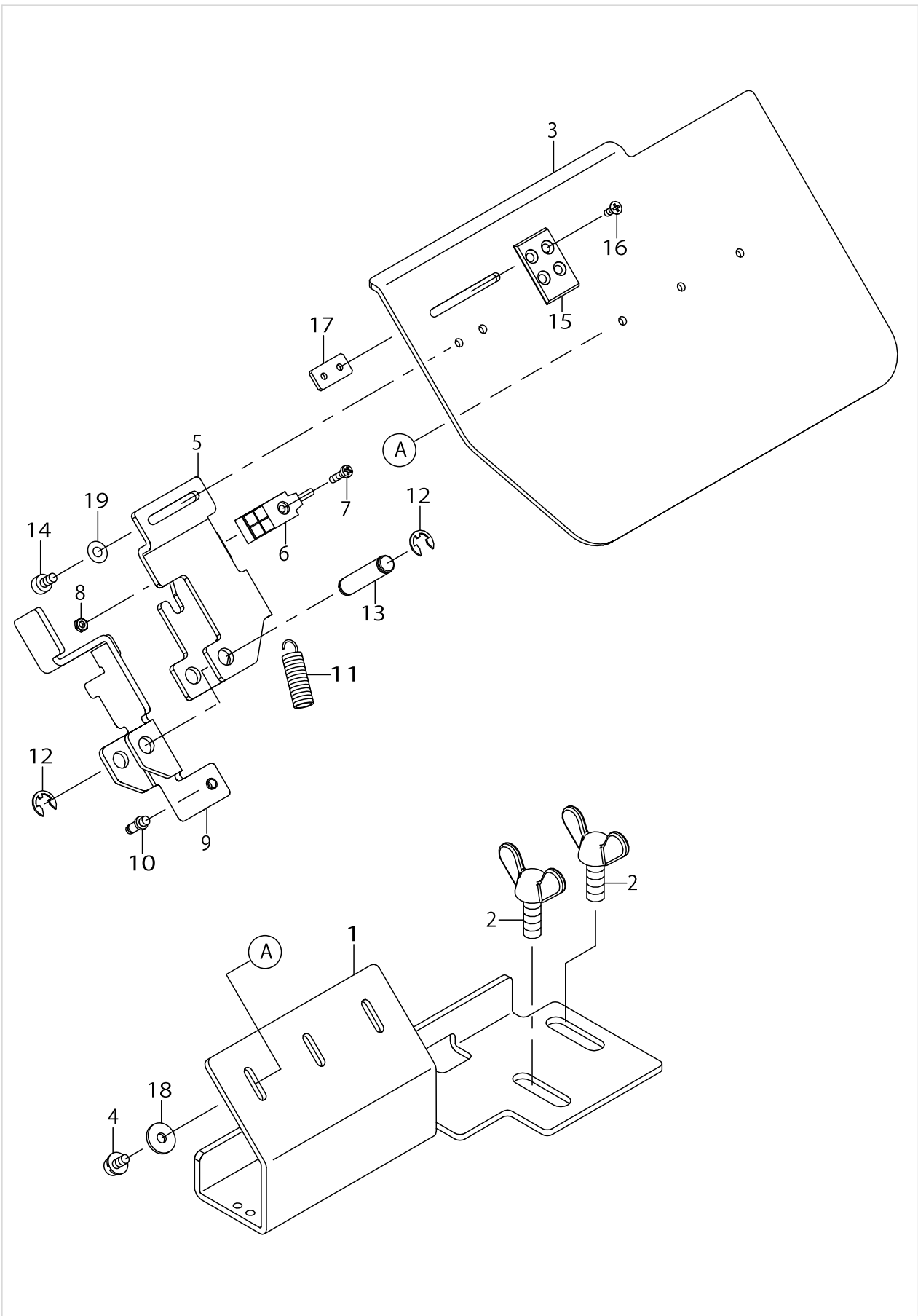
CLAMP FEED COMPONENTS



CLAMP FEED COMPONENTS

No.	Supply Code	Parts No.	Replacement	Parts name	Remarks	Choice	Step	Level	Cons	Qty	Rep. QTY
47		SL6041092TN		SCREW						4	
48		EA9500B0100		CABLE BAND						8	

SUB TABLE COMPONENTS

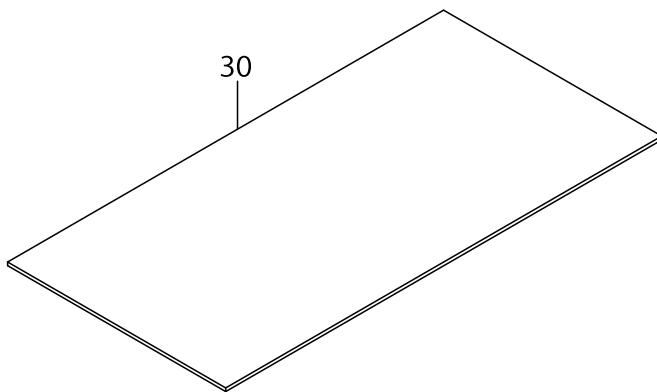
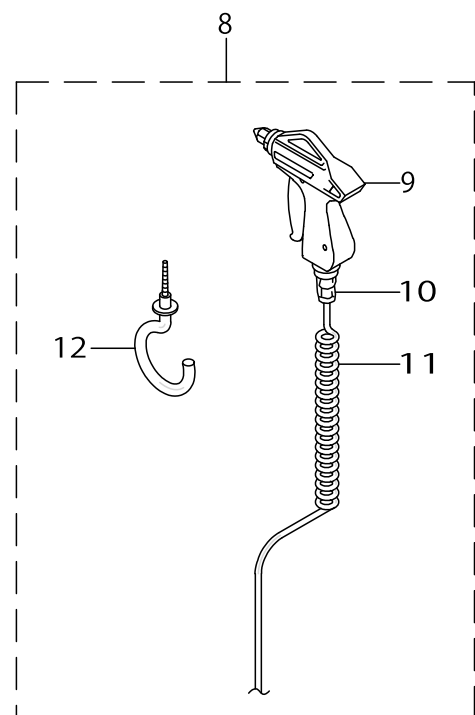
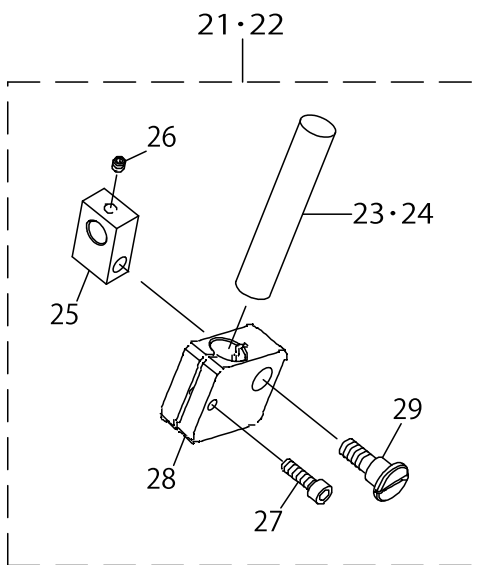
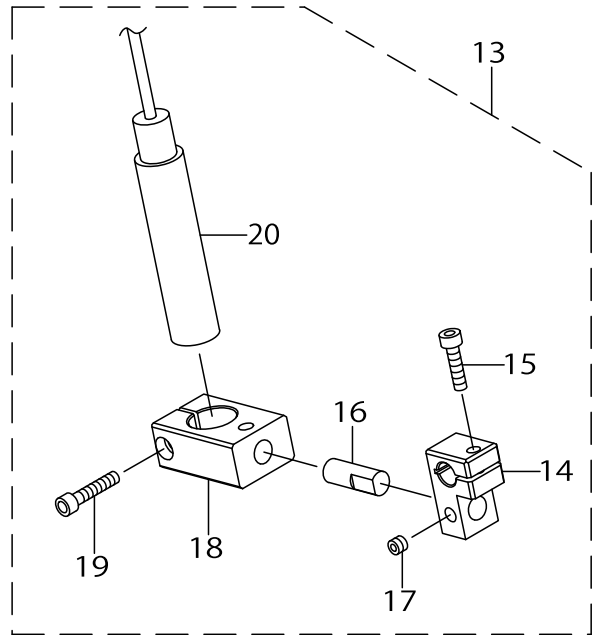
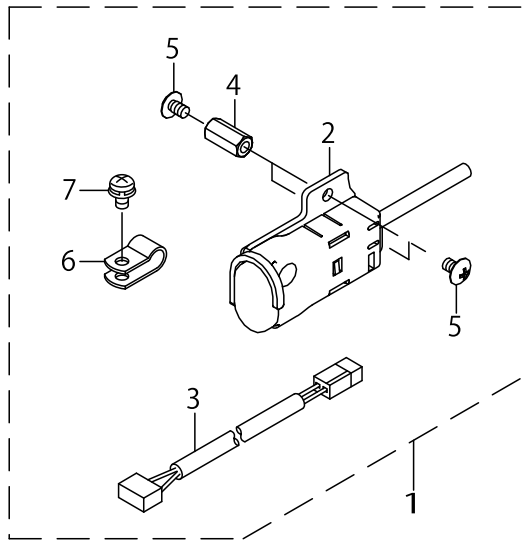


SUB TABLE COMPONENTS

No.	Supply Code	Parts No.	Replacement	Parts name	Remarks	Choice	Step	Level	Cons	Qty	Rep. QTY
1		40106806		SUB TABLE R SUPPORT BR						1	
2		GTR02013000		WING SCREW						2	
3		40106809		BAND TABLE						1	
4		SL6040842TN		SCREW M4 L=8						3	
5		40106807		BAND SWITCH BR						1	
6		40090644		START SW SENSOR ASSY						1	
7		SM4031201SC		SCREW M3X12						1	
8		NM6030003SC		NUT M3						1	
9		40093402		BAND SWITCH PL						1	
10		17850603		SPRING PACK SHAFT						1	
11		23508104		ADJUSTING LINK SPRING						1	
12		RE0600000K0		E-RING 6						2	
13		G2581312000		IDLER A						1	
14		SM6450610TP		SCREW						2	
15		40097154		BANDCHECKPLATEL						1	
16		SM1030801SN		SCREW M3X0.5 L=8						2	
17		40097155		STOPPER NUT						1	
18		WP0461516SH		WASHER						3	
19		WP0450801SP		WASHER						2	



OPTIONAL PARTS COMPONENTS



OPTIONAL PARTS COMPONENTS

No.	Supply Code	Parts No.	Replacement	Parts name	Remarks	Choice	Step	Level	Cons	Qty	Rep. QTY
1		40097205		INTERMEDIATE STOP SWICH ASSY						1	
2		32002354		SWITCH ASM.				*		1	
3		40043994		STOP SW RELAY CORD ASM.				*		1	
4		HX00337000A		SPACER				*		2	
5		SM0040601SC		SCREW M4X0.7 L=6				*		4	
6		HX00150000B		CABLE CLIP				*		1	
7		SL4040891SC		SCREW M4 L=8				*		1	
8		40111887		AIR GUN ASSY						1	
9		40044823		AIR GUN				*		1	
10		PJ301065201		HALF UNION 6XPT1/4				*		1	
11		GSS36020000		COIL TUBE				*		1	
12		MAT81163T00		CORD HOLDER				*		1	
13		40111891		LED MARKING ASSY						1	
14		40091172		MARKER FIXED BLOCK				*		1	
15		SM6041602TP		SCREW M4X0.7 L=16				*		1	
16		40091173		MARKER FIXED SUB ROD				*		1	
17		SM8050412TP		SCREW M5 L=4				*		2	
18		40067813		MARKER BRACKET				*		1	
19		SM6042002TP		SCREW M4X0.7 L=20				*		1	
20		40090637		LED MARKING				*		1	
21		40111906		LASER MARKING 130 ASSY	TYPE 130MM					1	
22		40111907		LASER MARKING 300 ASSY	TYPE 300MM					1	
23	R	HE000520000	KE000000010	LAMP	TYPE 130MM			*		1	1.00
24	R	HE000530000	KE000000020	LAMP	TYPE 300MM			*		1	1.00
25		40034002		FIXED HOLDER B				*		1	
26		SM8040412TP		SET SCREW M4 L=4				*		1	
27		SM6041602TP		SCREW M4X0.7 L=16				*		1	
28		40034001		FIXED HOLDER A				*		1	
29		SD0900706TP		SHOULDER SCREW D=9 H=7				*		1	
30		40091162		SPONGE						1	

## HOW TO MAKE USE OF THIS PARTS LIST

1.As to "#01" and "#02" refer to the "Note" given at the bottom of the respective pages.

2.Codes on the "Qty" column

- Each numeral indicates the number of parts required.
- "0.1" and "2.5" indicate the length (in meters) of the respective parts.

3.Parentheses mean that the corresponding part is a subpart that constructs an assembly part.

4.Dotted lines on the Figures indicate assembly parts.

5.As to the parts with marks of "☆"(Consumable parts)and "◎"(optional parts)on the respective parts, it is recommended to prepare spares.

1. リストページの#01、#02の印は、ページ下の"注記"の説明を参照下さい。
2. 数量欄の数字は、個数を表し、0.1、2.5等の数値は、長さ（単位メートル）を表します。
3. 数量欄の（ ）は、組部品を構成している子部品であることを意味します。
4. イラストページの-----枠は、組構成であることを意味します。
5. リストページの"☆"（消耗部品）、"◎"（オプション部品）の印が付いた部品は、予備を準備しておくことをお奨めします。

# NUMERICAL INDEX OF PARTS

PART NO	PAGE	REF NO.	PART NO	PAGE	REF NO.	PART NO	PAGE	REF NO.
10108009	10	20	22920508	2	37	26261503	4	78
10502300	4	46	22921506	22	30	26261602	4	60
11072402	2	27	22921605	22	40	26261701	4	61
11158300	44	5	22928808	22	29	26500306	12	61
11158409	44	6	22932800	58	1	26501403	30	13
11158516	44	31	22933006	58	11	26501502	30	23
11234408	66	31	22933105	58	13	26501858	18	24
12288403	58	15	22933204	58	12	26910059	42	25
13172903	82	33	22955900	46	60	32002354	88	2
13440904	82	32	23508104	86	11	40000046	50	6
13508700	2	16	23517501	26	39~42	40000046	52	35
13509807	16	50	23517600	26	39~42	40003458	50	22
13529607	18	34	23517709	26	39~42	40004254	14	5
13705108	2	39	23517808	26	39~42	40005394	50	8
13812102	20	54	23604309	12	57	40005394	54	81
13812102	58	5	23612807	82	12	40005401	50	14
13816855	2	15	23630007	18	33	40005401	52	26
14101208	46	65	23638109	40	8	40005660	40	17
14101208	58	2	23638208	40	10	40005664	40	16
14103352	20	67	23638406	40	11	40005664	54	47
14103907	18	27	26037200	8	23	40005725	40	18
14104004	18	25	26204008	34	18	40005726	50	9
14104400	14	41	26211607	2	29	40005726	54	82
14105407	34	21	26211904	2	33	40005727	50	10
14109607	58	26	26218008	14	32	40005727	54	83
14111504	30	46	26218602	22	31	40005729	40	1
14111702	30	44	26221101	2	17	40005729	54	79
14113450	2	24	26221200	2	18	40005730	40	4
14113468	2	23	26222703	30	26	40005730	54	76
14115554	40	20	26223305	30	28	40005731	40	2
14136402	32	52	26226209	14	24	40005731	54	77
14411003	36	57	26260000	4	56	40005732	40	3
16138109	70	30	26260109	4	62	40005732	54	78
16905606	82	42	26260208	4	63	40005733	40	5
17007402	44	8	26260307	4	69	40005733	54	80
17079807	46	50	26260406	4	71	40005734	40	12
17079906	46	49	26260505	4	73	40005734	54	73
17833658	44	9	26260604	4	75	40006323	58	8·9
17845009	50	17	26260703	4	77	40006475	2	1
17850603	86	10	26260802	4	59	40006478	2	3
20104402	8	4	26260901	4	64	40006495	40	6
22682405	68	75	26261008	4	65	40006496	40	7
22891006	10	31	26261107	4	66	40006497	40	9
22901409	4	81	26261206	4	72	40006515	12	65
22901805	4	47	26261305	4	70	40006516	12	67

## NUMERICAL INDEX OF PARTS

PART NO	PAGE	REF NO.	PART NO	PAGE	REF NO.	PART NO	PAGE	REF NO.
40006532	10	32	40010414	2	31	40010508	22	32
40006534	10	28	40010417	10	9	40010509	22	44
40006535	10	29	40010424	12	46	40010510	22	33
40006573	18	18	40010425	12	47	40010511	22	34
40006577	18	28	40010426	12	48	40010512	22	35
40006578	18	15	40010427	12	49	40010513	22	36
40006580	20	58	40010428	12	45	40010514	22	37
40006617	22	5	40010439	12	53	40010515	22	38
40006622	22	26	40010440	12	54	40010521	22	41
40006625	22	4	40010441	12	73	40010522	22	42
40006628	22	1	40010442	12	74	40010523	22	43
40006628	52	14	40010443	14	16	40010525	26	12
40006661	14	8	40010450	14	40	40010526	26	16
40006665	14	9	40010451	14	33	40010527	38	20
40006666	14	13	40010455	16	53	40010528	38	21
40006671	14	28	40010457	16	54	40010530	38	26
40006678	14	46	40010460	14	30	40010531	38	30
40006711	26	1	40010464	18	6	40010532	38	34
40006712	26	6	40010467	18	7	40010533	12	42
40006716	14	20	40010469	18	8	40010534	12	43
40006716	26	9	40010470	10	35	40010535	12	44
40006717	26	11	40010470	20	53	40010536	30	21
40006721	26	26	40010471	18	35	40010571	2	35
40006736	30	25	40010472	18	37	40010572	10	1
40006738	30	33	40010473	20	55	40010573	12	69
40006740	30	38	40010474	20	56	40010574	12	75
40006761	38	1	40010475	20	57	40010575	18	13
40006762	38	2	40010477	22	6	40010589	38	10
40006765	38	3	40010477	34	31	40010590	38	12
40006776	38	24	40010478	22	39	40011152	38	22
40006777	38	18	40010479	22	8	40011511	20	49
40006780	38	13	40010482	22	11	40011512	20	48
40006781	38	14	40010486	22	15	40011928	4	79
40006782	38	16	40010487	22	17	40012127	18	2
40006836	20	65	40010488	22	18	40012815	38	4
40006840	20	64	40010489	22	22	40013640	58	8-9
40006923	10	22	40010490	22	20	40013721	18	4
40006924	10	23	40010492	22	12	40013967	22	45
40006925	10	25	40010495	22	13	40015800	38	5
40006926	10	33	40010497	22	21	40023831	14	22
40006937	16	55	40010498	22	23	40025260	54	58
40008693	14	36	40010499	22	24	40025260	62	47
40009290	2	21	40010500	22	25	40026818	10	18
40010404	2	5	40010503	22	27	40028015	10	36
40010405	2	13	40010504	22	28	40028015	54	69

## NUMERICAL INDEX OF PARTS

PART NO	PAGE	REF NO.	PART NO	PAGE	REF NO.	PART NO	PAGE	REF NO.
40028834	4	83	40066845	64	22	40083668	56	6
40028835	4	85	40066845	66	9	40083882	14	26
40028986	32	50	40067541	46	45	40083883	34	13
40030939	10	16	40067545	44	43	40083884	34	16
40032191	64	28	40067550	46	47	40083885	34	14
40032191	66	19	40067813	8	10	40083960	56	10
40032219	64	26	40067813	88	18	40085784	42	2
40032219	66	17	40067820	70	22	40085785	42	3
40033047	16	56	40068638	60	11	40085786	42	4
40033875	44	25	40071742	82	19	40085787	42	5
40033875	52	34	40073100	34	37	40085788	42	6
40034001	88	28	40073632	40	28	40085789	42	7
40034002	88	25	40073632	52	3·3	40085790	42	8
40035024	56	23	40073638	40	30	40085791	42	9
40036110	58	6	40073638	52	8	40085792	42	10
40036117	18	43	40073659	44	24	40085793	42	11
40036118	18	45	40073659	52	33	40085794	42	12
40038207	34	22	40075079	38	28	40085795	42	13
40039255	32	54	40075079	52	12	40085796	42	16
40040256	14	6	40075977	36	78	40086192	56	1
40040256	26	4	40075982	36	63	40086541	56	5
40042897	30	35	40075985	60	33	40089365	18	19
40043977	54	43	40075988	34	5	40090569	52	16
40043994	88	3	40076004	2	8	40090570	52	18
40044823	88	9	40077177	70	21	40090571	52	20
40049817	58	10	40077177	74	5	40090572	52	22
40055355	50	1	40077178	64	31	40090573	52	24
40055356	50	2	40077178	66	25	40090575	52	28
40055357	50	3	40077829	70	15	40090575	74	45
40057278	50	24	40077847	70	16	40090576	54	74
40058397	54	50	40078098	30	37	40090577	54	67
40065566	52	40	40078100	30	1	40090578	54	71
40066088	36	88	40078127	66	7	40090580	54	72
40066088	58	25	40078162	56	17	40090581	54	70
40066402	34	1	40078163	56	2	40090584	54	53
40066443	34	23	40078164	56	20	40090587	50	11
40066444	34	25	40078166	56	16	40090587	52	36
40066651	34	6	40078167	56	19	40090589	50	13
40066677	82	37	40078168	56	9	40090589	52	38
40066739	30	40	40080799	56	15	40090622	52	41
40066745	36	54	40080800	56	4	40090626	30	8
40066748	36	52	40082758	50	5	40090626	52	17
40066761	34	45	40082758	52	39	40090626	64	2
40066844	64	14	40083666	56	7	40090626	66	2
40066844	66	5	40083667	56	18	40090627	30	15

NUMERICAL INDEX OF PARTS

PART NO	PAGE	REF NO.	PART NO	PAGE	REF NO.	PART NO	PAGE	REF NO.
40090627	52	6-7	40091334	8	14	40093402	86	9
40090628	14	1	40091335	8	17	40093435	60	29
40090628	52	10	40091336	8	19	40093436	60	31
40090630	40	29	40091339	36	65	40093437	60	27
40090630	52	5	40091388	82	4	40093438	60	24
40090631	40	31	40091390	82	13	40093450	60	37
40090631	52	9	40091391	82	17	40093466	60	1
40090632	40	32	40091392	82	20	40093468	60	12
40090632	52	11	40091393	82	22	40093485	44	30
40090633	40	27	40091394	82	24	40096105	68	51
40090633	52	13	40091395	82	25	40096106	74	17
40090634	52	21	40091398	82	27	40096107	74	1
40090634	82	15	40091399	82	29	40096325	42	14
40090635	34	35	40091400	82	30	40096326	42	17
40090635	52	23	40091401	82	41	40096327	42	19
40090637	8	1	40091402	82	46	40096354	42	1
40090637	54	46	40091420	64	36	40096507	56	21
40090637	88	20	40091449	66	32	40096508	56	22
40090642	34	42	40091455	66	37	40097154	86	15
40090642	54	59	40091456	66	45	40097155	86	17
40090643	54	60	40091457	66	1	40097205	88	1
40090643	82	35	40091462	68	66	40099407	74	9
40090644	46	57	40091493	68	74	40100420	36	83
40090644	54	64	40091494	68	53	40100422	36	66
40090644	86	6	40091545	44	33	40100426	36	72
40090645	54	66	40091548	46	63	40100430	44	29
40090645	74	32	40091929	16	51	40100431	62	49
40090646	4	84	40091930	8	21	40101200	50	4
40090646	54	75	40092910	74	6	40101200	52	1
40090647	54	62	40092916	70	18	40101999	46	61
40090647	68	59	40092925	74	18	40102261	2	45
40090649	54	44	40092926	74	2	40103154	34	19
40090655	54	63	40092927	74	24	40103227	70	40
40090657	54	61	40092929	74	15	40104898	14	35
40091158	36	62	40092930	74	22	40104899	14	27
40091159	36	50	40092931	70	33	40104902	14	4
40091160	34	39	40092934	70	26	40104918	2	14
40091161	34	40	40092935	74	38	40104921	14	12
40091162	88	30	40092993	74	26	40106806	86	1
40091163	34	11	40092996	68	57	40106807	86	5
40091171	8	2	40092997	70	43	40106809	86	3
40091172	8	6	40092998	70	46	40107534	36	68
40091172	88	14	40092999	70	13	40108790	68	62
40091173	8	8	40093288	70	35	40109086	46	67
40091173	88	16	40093289	70	36	40109547	64	1

# NUMERICAL INDEX OF PARTS

PART NO	PAGE	REF NO.	PART NO	PAGE	REF NO.	PART NO	PAGE	REF NO.
40109548	34	27	70005176	46	71	70005240	48	2
40109549	70	3	70005177	52	27	70005241	48	3
40109550	66	16	70005177	74	29	70005242	48	4
40109551	64	25	70005178	54	49	70005243	48	5
40109552	64	32	70005179	52	30	70005244	48	6
40109552	66	26	70005180	54	52	70005245	68	76
40110721	26	43	70005181	54	57	70005246	48	1
40110722	28	46	70005182	52	29	70005247	60	35
40110723	28	47	70005183	52	25	70005249	72	52
40110724	82	1	70005184	52	31	70005280	60	41
40110725	82	6	70005192	78	1	70005323	58	30~34
40110726	82	11	70005193	78	4	70005324	58	30~34
40110812	12	52	70005194	78	5	70005325	58	30~34
40110813	12	55	70005195	58	27~29	70005326	68	77
40110825	10	11	70005199	74	13	70005327	58	30~34
40110827	20	51	70005201	58	27~29	70005328	58	30~34
40110830	20	66	70005203	58	27~29	70005340	44	15
40110836	10	2	70005205	74	34	70005454	26	18
40110838	10	8	70005206	76	47	70005458	70	5
40110841	10	39	70005207	70	1	70005468	62	50
40110842	10	40	70005208	70	8	A123050000A	12	63
40110856	18	38	70005209	72	50	B1129210000	2	41
40110932	74	8	70005210	72	49	B1144210000	12	60
40110934	68	52	70005211	70	17	B1212210D00	12	59
40110938	60	21	70005212	72	53	B1223771000	70	32
40111143	64	38	70005213	68	60	B14115520A0	12	70
40111144	64	4	70005221	44	37	B1414232000	30	30~32
40111404	66	29	70005222	34	9	B141423200A	30	30~32
40111425	10	7	70005223	36	69	B141423200B	30	30~32
40111701	74	31	70005224	36	84	B1414555000	12	72
40111887	88	8	70005225	36	71	B1816280000	34	8
40111891	88	13	70005226	36	77	B1820210D00	18	20
40111906	88	21·22	70005227	36	47	B1821210D00	18	21
40111907	88	21·22	70005228	36	73	B1822215P00	18	22
40111910	44	22	70005229	36	74	B18289800BB	18	10
40111911	10	5	70005230	34	46	B1903552000	10	34
40112387	2	10	70005231	80	1	B1908505000	10	26
40112861	12	51	70005232	80	3	B24142800A0	26	32
40112990	10	10	70005233	80	5	B24152800A0	26	31
40112993	10	15	70005234	80	8	B2416280000	26	30
40112994	18	11	70005235	36	86	B2417210000	26	24
40123249	64	37	70005236	30	2	B2417280000	26	21
70005174	46	69	70005237	30	6	B2418280000	26	29
70005174	52	37	70005238	2	7	B2421210AA0	26	23
70005175	46	70	70005239	60	39	B242328000A	26	34~37



NUMERICAL INDEX OF PARTS

PART NO	PAGE	REF NO.	PART NO	PAGE	REF NO.	PART NO	PAGE	REF NO.
B242328000B	26	34~37	G5506254000	60	9	HX00150000H	8	26
B242328000C	26	34~37	GAF01007000	12	64	HX00150000H	60	17
B242328000D	26	34~37	GES01022000	58	20	HX00150000K	40	24
B2424210000	26	27	GPK470010AB	44	23	HX00150000L	68	64
B242628000B	26	22	GPK470010AB	52	42	HX00150000N	60	18
B2509704000	30	34	GSS36020000	88	11	HX00188000E	60	16
B3126012000	2	25	GTR02013000	86	2	HX001890000	82	36
B8101221DA0	44	1	HA004250000	46	64	HX00326000K	50	23
B8102221DA0	44	2	HA004250000	54	48	HX00337000A	88	4
B8103221DA0	44	3	HA006280000	8	29~31	HX003390000	40	26
B8110373N00	44	10	HA006280000	54	54~56	HX003390000	50	36
B8150221D00	44	4	HA006280010	8	29~31	HX00354000B	56	12
B8202205000	44	19	HA006280010	54	54~56	HX004070000	50	16
B9101490000	58	14	HA006280020	8	29~31	HX004540000	68	67
B9121012000	44	21	HA006280020	54	54~56	HX005110000	50	19
B91212200A0	58	4	HD00057000A	14	18	J106600000C	58	16~19
BT0400251EB	44	42	HD00057000A	32	48	J106600000D	58	16~19
BT0600401EB	44	38	HD00057000A	38	32	J106600000F	58	16~19
CM100100001	4	82	HD00057000A	54	68	J106600000G	58	16~19
CM300100001	50	25	HD00057000A	64	11	J1067000A00	58	24
CM300200001	60	20	HD00057000A	66	41	J1071000000	58	21
CM300200002	2	43	HD00057000A	82	44	KM000000480	50	15
CM300200002	60	23	HD002230000	26	14	KX000000320	50	18
CM300300002	78	6	HD002230000	30	42	KX000000330	50	20
CM600100101	56	14	HD002230000	54	51	M300451100A	50	7
CQ200000000	18	31	HD002780000	30	16	M3801476000	50	28
CS0400671TP	74	11	HD002780000	52	6·7	M4206461000	50	32
D7133555B00	2	26	HE000520000	88	23·24	M90206200A0	52	32
E2605760000	44	28	HE000530000	88	23·24	MAT81163T00	88	12
E5348033100	78	12	HF00130315S	50	43~45	MDP170B1400	10	38
E9567319000	50	21	HF0013050P0	50	43~45	MDP170B1802	58	3
EA9500B0100	8	28	HF003000200	50	43~45	MTJMS00000S	44	14
EA9500B0100	18	14	HW002180200	56	3	NM3040520SC	50	39
EA9500B0100	36	82	HX000130000	60	13	NM3040520SC	74	20
EA9500B0100	40	22	HX00056000B	62	46	NM3040520SF	70	14
EA9500B0100	66	43	HX001500000	74	36	NM6030003SC	46	59
EA9500B0100	74	44	HX00150000A	66	47	NM6030003SC	86	8
EA9500B0100	84	48	HX00150000A	68	47	NM6040000SN	2	36
EA9500B0200	40	23	HX00150000B	20	61	NM6040001SC	8	16
EA9500B0200	66	36	HX00150000B	88	6	NM6040001SP	14	7
EA9500B0200	82	43	HX00150000C	36	80	NM6040001SP	26	5
G2581312000	86	13	HX00150000C	70	41	NM6040003SC	36	61
G5009172000	64	34	HX00150000C	74	21	NM6040003SC	68	71
G5126172000	34	10	HX00150000D	18	1	NM6050001SC	46	56
G5236254000	34	33	HX00150000D	60	43	NM6050001SC	66	22

# NUMERICAL INDEX OF PARTS

PART NO	PAGE	REF NO.	PART NO	PAGE	REF NO.	PART NO	PAGE	REF NO.
NM6050001SC	78	10	RC0560711KP	4	57	SK3382001SE	60	22
NM6050001SE	42	24	RC1900001KP	82	8	SK3412001SE	46	72
NM6050001SP	14	11	RE0200000K0	38	8	SK3412001SE	78	2
NM6050001SP	26	8	RE0300000K0	18	23	SK3512001SE	46	62
NM6050003SC	64	8	RE0300000K0	82	31	SK3513201SE	46	66
NM6060001CP	14	39	RE0400000K0	4	58	SL4020591SC	30	17
NM6060001SC	4	89	RE0400000K0	36	59	SL4030581SC	72	47
NM6060003SC	14	43	RE0600000K0	64	33	SL4030681SC	56	11
NM6080001SC	44	36	RE0600000K0	66	28	SL4030691SC	62	48
NM6080001SC	48	9	RE0600000K0	70	20	SL4030881SC	56	13
NM6080001SC	50	31	RE0600000K0	74	23	SL4031081SC	64	12
NM6080001SC	60	7	RE0600000K0	86	12	SL4031081SC	66	42
NM6080003SC	60	8	RE0700000K0	34	34	SL4031081SC	82	45
NM6120003SE	44	11	RE0800000K0	10	21	SL4031091SC	38	33
NM7040062SB	56	25	RE0900000K0	22	3	SL4031291SC	14	19
NS6110310SP	2	28	SB104001600	10	24	SL4031291SC	32	49
PA0601017A0	70	10	SB106000500	34	30	SL4040681SC	22	46
PA1001025A0	82	40	SB107000400	74	12	SL4040881SC	50	41
PA1003027A0	36	56	SB108000500	64	30	SL4040881SF	40	19
PA1500505A0	70	24	SB108000500	66	24	SL4040891SC	8	18
PA1604510A0	74	40	SB108000700	34	15	SL4040891SC	18	62
PA200100300	70	27	SB108002200	10	27	SL4040891SC	20	62
PA3200503A0	70	37	SB108002200	68	56	SL4040891SC	36	81
PB000010000	58	23	SB108002200	72	48	SL4040891SC	50	40
PC012401000	74	43	SB108002300	10	30	SL4040891SC	62	44
PF0205010C0	44	17	SB110002400	14	3	SL4040891SC	66	65
PJ032039001	70	12	SB110002400	18	9	SL4040891SC	68	65
PJ301040502	70	25	SB30800100A	18	39~42	SL4040891SC	88	7
PJ301065201	88	10	SB30800100B	18	39~42	SL4041081SC	50	12
PJ303060003	78	3	SB30800100C	18	39~42	SL4041091SC	8	27
PJ304040301	36	60	SB30800100D	18	39~42	SL4041091SC	50	42
PJ304040301	80	2	SB406000100	34	29	SL4041091SC	60	19
PJ304040504	44	18	SB710000200	82	7	SL4041281SC	30	43
PJ304040504	70	38	SD0350156TP	38	25	SL4041291SC	26	15
PJ304040504	74	41	SD0400266TP	38	9	SL4041491SC	74	37
PJ304040511	44	27	SD0600206TP	14	31	SL4042591SC	56	24
PJ308040002	44	41	SD0640216TP	14	45	SL4043591SC	50	38
PJ308060003	44	39	SD0700406TP	14	25	SL4051091SC	44	34
PJ308060005	44	40	SD0790606TP	14	38	SL6031292TN	74	30
PJ309520001	58	22	SD0800327TP	14	10	SL6031492TN	64	17
PS0300102K0	46	54	SD0800327TP	26	7	SL6031642TN	44	16
PS0400142KH	12	62	SD0800406TP	38	23	SL6040842TN	86	4
PV150106000	44	26	SD0900706TP	88	29	SL6040892TN	6	92
PX5000100A0	74	42	SD1000406TP	14	42	SL6040892TN	28	48
RC0470611KP	14	44	SK3311600SC	44	20	SL6040892TN	64	39

# NUMERICAL INDEX OF PARTS

PART NO	PAGE	REF NO.	PART NO	PAGE	REF NO.	PART NO	PAGE	REF NO.
SL6041092TN	8	20	SM3061652TN	34	2	SM6030802TN	82	26
SL6041092TN	64	29	SM4020600SP	38	17	SM6030802TP	34	41
SL6041092TN	66	20	SM4021201SC	40	13	SM6033002TN	70	11
SL6041092TN	70	42	SM4030455SP	18	29	SM6040502TP	18	3
SL6041092TN	74	25	SM4030601SN	2	44	SM6040600SP	80	10
SL6041092TN	84	47	SM4030601SN	38	35	SM6040602TN	46	51
SL6041242TN	64	35	SM4030855SN	2	30	SM6040602TN	74	35
SL6041292TN	72	55	SM4031201SC	46	58	SM6040602TP	22	14
SL6044092TN	46	68	SM4031201SC	86	7	SM6040602TP	78	7
SL6051092TN	46	48	SM4040655SP	8	24	SM6040602TP	80	6
SL6051292TN	60	45	SM4040655SP	48	8	SM6040650TP	2	38
SL6051292TN	62	45	SM4040855SP	14	47	SM6040650TP	18	63
SL6051292TN	70	2	SM4040855SP	16	47	SM6040650TP	20	63
SL6051492TN	48	7	SM4040855SP	26	17	SM6040650TP	30	53
SL6051692TN	64	5	SM4040855SP	30	51	SM6040650TP	32	53
SL6051692TN	66	18	SM4040855SP	32	51	SM6040650TP	34	12
SL6052092TN	64	27	SM4040855SP	40	25	SM6040650TP	38	11
SL6052092TN	66	3	SM4041001SN	66	44	SM6040652TP	36	70
SL6052592TN	12	56	SM4041055SP	2	12	SM6040652TP	74	14
SL6052592TN	78	11	SM4041655SP	30	11	SM6040800SP	72	51
SL6062042TN	60	10	SM4042055SP	30	19	SM6040800SP	80	9
SL6062092TN	66	33	SM4050855SP	2	6	SM6040802TN	22	9
SL6083092TN	50	29	SM4050855SP	40	15	SM6040802TN	44	44
SL9061293SE	44	12	SM4051405SE	42	23	SM6040802TN	66	72
SL9081693SE	48	10	SM4051655SP	14	2	SM6040802TN	68	72
SL9082093SE	44	32	SM4061255SP	2	34	SM6040802TN	70	44
SM0030601SC	4	86	SM5040655SN	4	67	SM6040802TN	74	27
SM0040601SC	60	42	SM5040855SN	2	80	SM6040802TN	82	28
SM0040601SC	68	70	SM5040855SN	4	80	SM6040802TP	8	22
SM0040601SC	88	5	SM6020250TP	20	46	SM6040802TP	14	17
SM0051001SC	60	40	SM6020350SP	38	15	SM6040802TP	32	55
SM0850801SC	34	43	SM6020402TN	70	6	SM6040802TP	34	48
SM0850801SC	74	33	SM6020450TP	38	19	SM6040802TP	36	48
SM1030400SP	30	5	SM6020460TP	18	44	SM6040802TP	38	31
SM1030400SP	36	85	SM6020602TN	70	4	SM6040802TP	78	8
SM1030601SP	10	12	SM6030402TP	36	49	SM6040860TP	2	42
SM1030601SP	30	7	SM6030500SN	70	9	SM6041000SP	34	7
SM1030801SN	86	16	SM6030502TN	66	8	SM6041002TN	68	68
SM1040650TP	2	11	SM6030502TP	38	27	SM6041002TP	34	67
SM1040650TP	26	38	SM6030600SP	36	51	SM6041002TP	36	67
SM1040650TP	30	41	SM6030602TN	82	38	SM6041050TP	22	16
SM1040800SP	72	54	SM6030602TP	34	76	SM6041150TP	2	20
SM1040800SP	80	7	SM6030602TP	36	76	SM6041150TP	30	22
SM2360110TP	38	6	SM6030602TP	80	4	SM6041200SP	38	29
SM3061052TP	30	3	SM6030800SP	36	55	SM6041202TN	82	16

NUMERICAL INDEX OF PARTS

PART NO	PAGE	REF NO.	PART NO	PAGE	REF NO.	PART NO	PAGE	REF NO.
SM6041202TP	8	15	SM8050612TP	82	14	WP0320500SC	82	39
SM6041202TP	34	28	SM80506A2TP	10	41	WP0430800SC	26	45
SM6041602TP	8	7	SM8052002TP	78	9	WP0430800SC	46	53
SM6041602TP	88	27	SM8060602TP	30	24	WP0430801SC	22	10
SM6042002TP	8	12	SM8060602TP	64	15	WP0430801SE	68	73
SM6042002TP	88	19	SM8060602TP	66	6	WP0430801SE	70	45
SM6051002TN	64	9	SM8060610TP	18	16	WP0430801SE	74	28
SM6051002TN	68	55	SM8060612TP	2	22	WP0450801SD	8	25
SM6052002TN	46	55	SM8060612TP	18	12	WP0450801SP	16	49
SM6052502TN	64	6	SM8060612TP	64	23	WP0450801SP	26	3
SM6052502TN	66	21	SM8060612TP	66	30	WP0450801SP	30	20
SM6053002TP	70	39	SM8060612TP	74	7	WP0450801SP	36	87
SM6060550TP	10	17	SM80606A2TP	10	4	WP0450801SP	38	36
SM6061202TN	82	5	SM8060812TP	10	58	WP0450801SP	86	19
SM6061802TP	14	37	SM8060812TP	12	58	WP0450826SC	4	68
SM6062002TP	34	3	SM8060812TP	14	21	WP0450846SP	26	19
SM6062002TP	68	61	SM8060812TP	18	17	WP0460556SD	68	69
SM6067552TP	4	88	SM8060812TP	26	10	WP0461516SH	86	18
SM6082502TN	70	31	SM8060812TP	30	29	WP0531001SC	42	22
SM6084002TN	58	7	SM8060812TP	70	19	WP0531001SC	64	10
SM6087002TN	60	2	SM8060812TP	74	3	WP0531001SC	66	23
SM6088502TP	60	3	SM8061050TP	20	47	WP0612056SD	4	87
SM6450610TP	26	44	SM8061612TP	24	47	WP0621016SD	30	4
SM6450610TP	86	14	SM8480652TP	10	14	WP0621016SD	34	4
SM6850802TN	76	46	SM8480652TP	20	52	WP0820516SP	12	50
SM7030550TP	10	37	SM8480652TP	30	36	WP0820526SD	64	24
SM8030302TP	34	79	SS1060210TP	26	25	WP0820526SD	66	11
SM8030302TP	36	79	SS5060310SP	16	52	WP0820526SD	70	29
SM8030312TP	74	10	SS6090670TP	12	71	WP0841601SC	50	30
SM8030412TP	22	7	SS6110430TP	26	33	WP0841601SC	60	4
SM8030412TP	36	58	SS6121212TP	20	50	WP0852086SC	4	91
SM8030412TP	74	39	SS7090410SP	26	28	WP0852086SC	44	35
SM8040310SS	12	68	SS7110740TP	26	20	WP0852086SC	60	5
SM8040412TP	82	34	SS7110740TP	34	20	WP1612616SE	42	15
SM8040412TP	88	26	TA0750704R0	4	48	WP2103001SE	82	9
SM8040802TP	4	76	TA0850604R0	4	49	WS0410002KN	46	52
SM8050402TP	14	14	TA1050504R0	4	50	WS0510002KN	42	21
SM8050412TP	8	11	TA1250406R0	4	51	WS0610002KN	4	90
SM8050412TP	88	17	TA1270502R0	4	52	WS0820002KN	60	6
SM8050502TP	4	74	TA1470704R0	4	53	WZ2200300KP	82	10
SM8050512TP	34	17	TA1550902R0	4	54			
SM8050512TP	82	21	TA2100904R0	4	55			
SM8050592TP	26	2	WP0220300SC	38	37			
SM8050592TP	82	18	WP0220300SC	70	7			
SM8050612TP	74	19	WP0320500SC	38	7			