

MODEL : LS-2342/LS-2342-7

List No : 1676-05

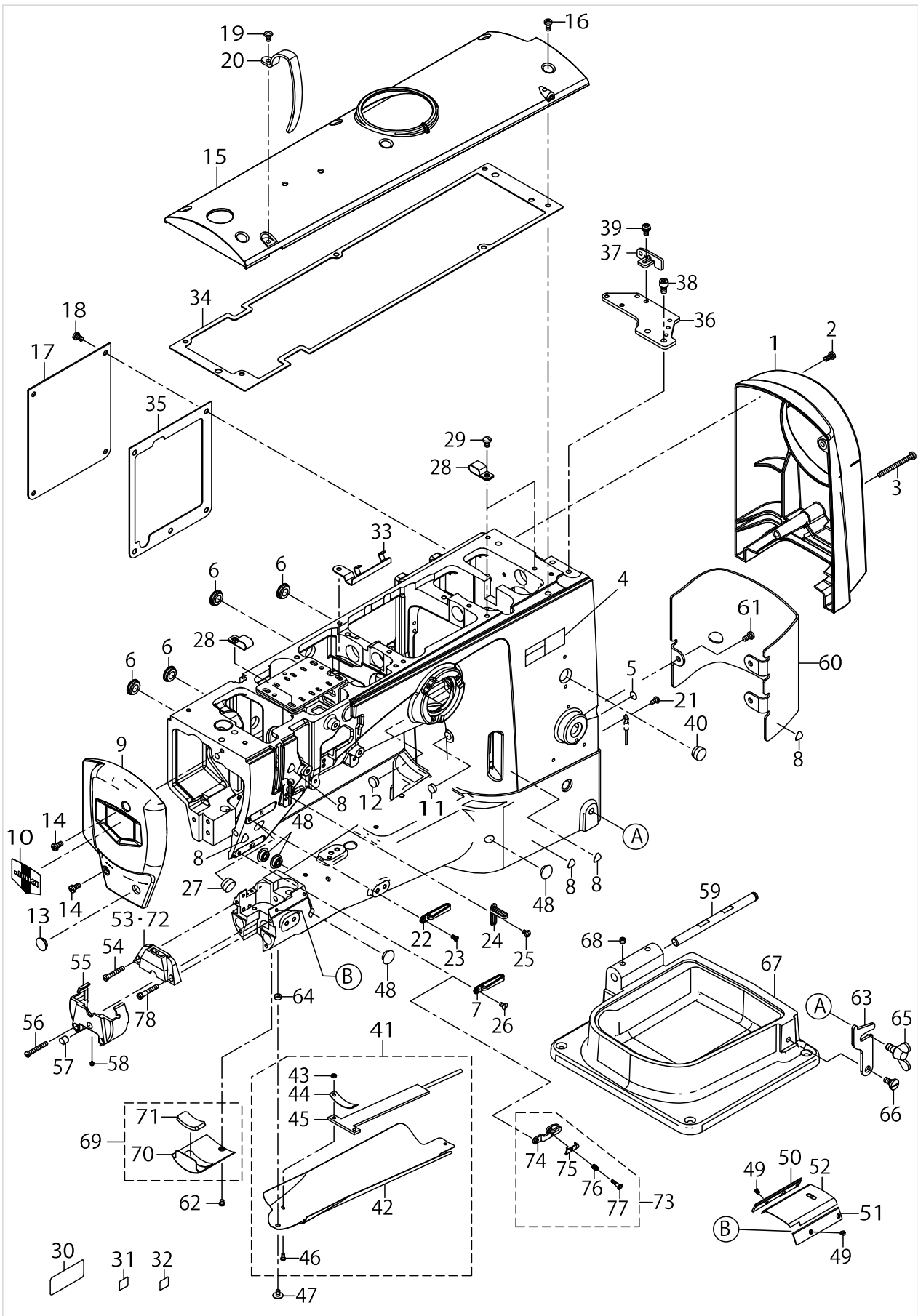
PARTS LIST

Published:05/12/2017

CONTENTS

FRAME & MISCELLANEOUS COVER COMPONENTS	1
MAIN SHAFT & THREAD TAKE-UP LEVER COMPONENTS	5
NEEDLE BAR COMPONENTS	7
LOWER SHAFT COMPONENTS.....	9
UPPER FEED COMPONENTS.....	15
HAND LIFTER & AUTO LIFTER COMPONENTS.....	19
KNEE LIFTER COMPONENTS.....	21
LOWER FEED COMPONENTS.....	23
FEED ADJUST COMPONENTS.....	27
DL COMPONENTS (FOR LS-2342S-7,LS-2342H-7).....	33
AUTO BT COMPONENTS (FOR LS-2342S-7,LS-2342H-7)	35
6-RANGE SW COMPONENTS.....	37
SPEED ADJUST COMPONENTS	39
THREAD TRIMMER COMPONENTS (FOR LS-2342S-7,LS-2342H-7)	41
THREAD TENSION COMPONENTS	43
TENSION RELEASE COMPONENTS	47
PNEUMATIC COMPONENTS	49
BOBBIN WINDER COMPONENTS.....	51
LUBRICATION COMPONENTS	53
THREAD STAND COMPONENTS.....	55
ACCESSORIES PARTS COMPONENTS	57
BINDER COMPONENTS (FOR LS-2342S,LS-2342H OPTIONAL PARTS).....	59
BT & DL COMPONENTS (FOR LS-2342S,LS-2342H OPTIONAL PARTS)	61
THIN CYLINDER COMPONENTS TYPE P=4 (FOR LS-2342S,LS-2342H OPTIONAL PARTS)	65
NEEDLE THREAD CLAMP COMPONENTS (LS-2342S-7,LS-2342H-7 OPTIONAL PARTS).....	67
GAUGE COMPONENTS (OPTIONAL PARTS).....	69
GREASE COMPONENTS (OPTIONAL PARTS)	71
SUSPENSION SQUARE COMPONENTS (OPTIONAL PARTS)	73
THICK THREAD SPECIFICATIONS COMPONENTS (FOR LS-2342S,LS-2342S-7 OPTIONAL PARTS)	75
LIST FOR INFORMATION OF CHANGE.....	77
HOW TO MAKE USE OF THIS PARTS LIST	78

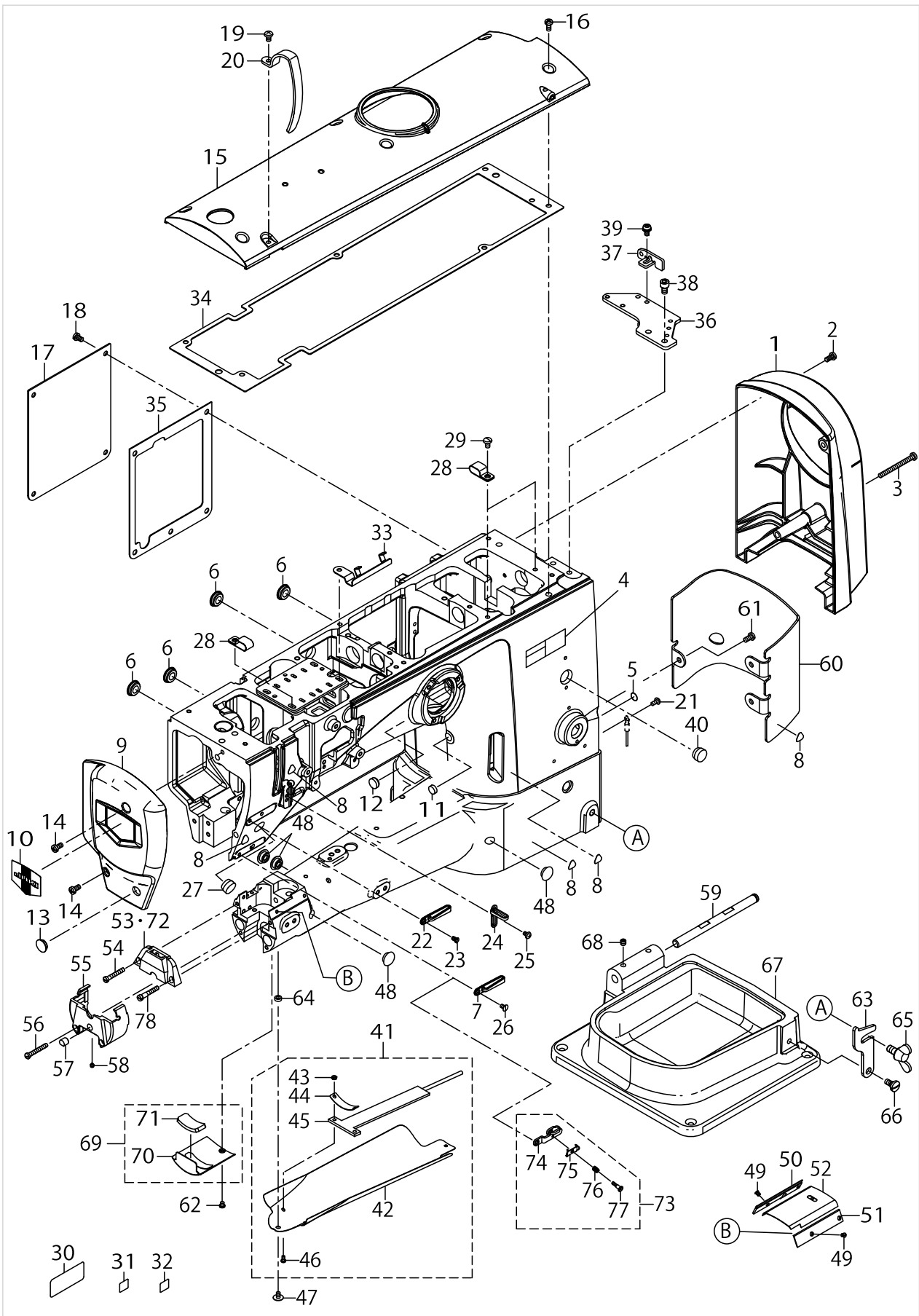
FRAME & MISCELLANEOUS COVER COMPONENTS



FRAME & MISCELLANEOUS COVER COMPONENTS

No.	Supply Code	Parts No.	Replacement	Parts name	Remarks	Choice	Step	Level	Cons	Qty	Rep. QTY
1		40130705		MOTOR_COVER						1	
2		SM4051055SP		SCREW						2	
3		SM4055501SC		SCREW M5X0.8 L=55						1	
4		40102261		SAFETY_LABEL_S						1	
5		22901805		GROUND MARK						1	
6		TA1650406R0		PRUG						4	
7		40084142		THREAD_GUIDE_LOWER	FOR LS-2-342S,LS-2342H					1	
8		CM300200001		ATTENTION SEAL						5	
9		40130704		FACE_PLATE						1	
10		22902506		FACE PLATE						1	
11		TA1030402R0		RUBBER PLUG D=10.3 L=4						1	
12		TA1270502R0		RUBBER PLUG						1	
13		TA1250406R0		RUBBER PLUG D=12.5 L=4						1	
14		SM4051055SP		SCREW						2	
15		40130706		TOP_COVER						1	
16		SM4051055SP		SCREW						6	
17		40130703		APERTURE_COVER						1	
18		SM4050855SP		SCREW						4	
19		SM4050855SP		SCREW						1	
20		23600505		THREAD TAKE-UP LEVER COVER						1	
21		SM4040855SP		SCREW						1	
22		40084142		THREAD_GUIDE_LOWER						1	
23		SM1040750TP		SCREW M4 L=7						1	
24		40126221		THREAD_GUIDE						1	
25		SM4040655SP		SCREW M4 L=6						1	
26		SM1040750TP		SCREW M4 L=7						1	
27		TA1550902R0		PLUG						1	
28		D2112555B00		CORD HOLDER LARGE						3	
29		SM4050855SP		SCREW						2	
30	D	40094561		SEWING MACHINE LABEL (EU)	FOR EUROPE					1	
31		CM600100101		WEEE MARK LABEL S	FOR EUROPE					1	
32		40150131		EAC_MARK_LABEL_S	FOR EUROPE					1	
33		40134805		CABLE HOLDER						1	
34		40147919		TOP_COVER_PACKING						1	
35		40160160		WINDOW_PLATE_PACKING						1	
36		40125872		CYLINDER_BRACKET						1	
37		40112228		MOTOR_COVER_FITTING_PLATE						1	
38		SM6061002TP		SCREW M6 L=10						2	
39		SL4051091SC		SCREW M5X0.8 L=10						1	
40		TA1550902R0		PLUG	FOR LS-2-342S,LS-2342H					1	
41		40160157		SYLINDER COVER ASM.						1	
42		40159453		CYLINDER_COVER				*		1	
43		NM6030003SC		NUT M3				*		2	
44		21426903		FELT PRESSER PLATE				*		1	
45		40160158		SYLINDER COVER FELT ASM.				*		1	

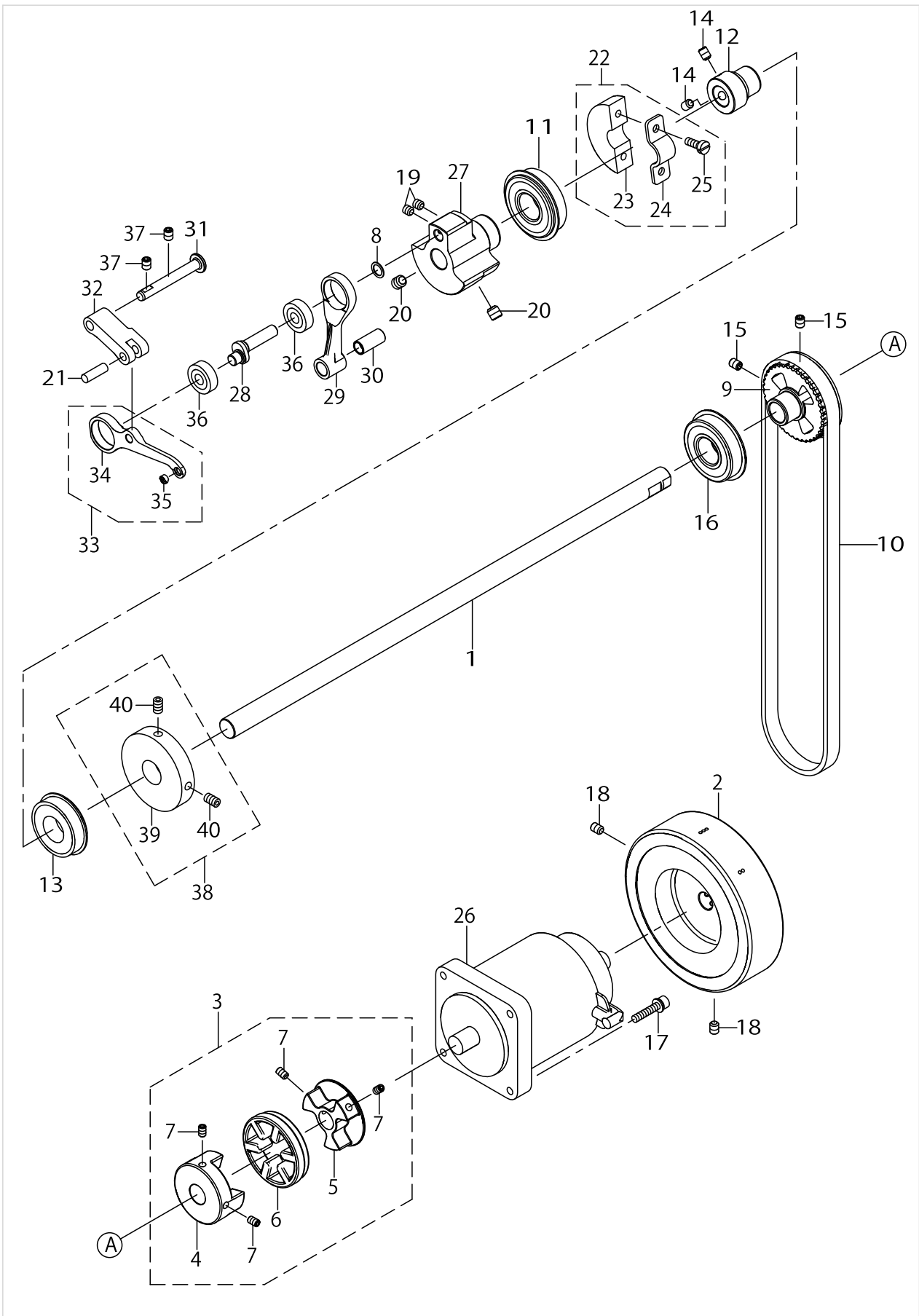
FRAME & MISCELLANEOUS COVER COMPONENTS



FRAME & MISCELLANEOUS COVER COMPONENTS

No.	Supply Code	Parts No.	Replacement	Parts name	Remarks	Choice	Step	Level	Cons	Qty	Rep. QTY
46		SM4030601SC		SCREW M3X6				*		2	
47		SS5110710SP		SCREW 11/64-40 L=7						1	
48		TA1250504R0		RUBBER PLUG						4	
49		SS2090520SL		SCREW 9/64-40 L=5						4	
50		21426606		BED SLIDE SIDE PLATE LEFT						1	
51		23100506		BED SLIDE SIDE PLATE RIGHT						1	
52		21220413		BED PLATE						1	
53		40179197		THROAT PLATE	FOR LS-2-342S,LS-2342S-7					1	
54		SS7112810SP		SCREW 11/64-40 L=28						1	
55		40090318		THROAT PLATE BASE						1	
56		SS7113110SP		SCREW 1/64-40 L=30						2	
57		40090323		FEED BASE SUPPORT						1	
58		SM8040402TP		SCREW M4X0.7 L=4						1	
59		40160156		BED HOLDING BASE SHAFT						1	
60		40159461		BED_COVER						1	
61		SM4051055SP		SCREW						3	
62		SS7110410SP		SCREW 11/64-40 L=4						1	
63		40163081		HOOK						1	
64		B3013141H0B		WASHER						1	
65		B1116246000		WING BOLT						1	
66		SD0800352SP		HINGE SCREW D=8 H=3.5						1	
67		40160085		BED HOLDING BASE						1	
68		SM8060612TP		SCREW M6 L=6						2	
69		40094671		THROAT PLATE BASE COVER ASM.						1	
70		40094670		THROAT PLATE BASE COVER COMPL.				*		1	
71		40095001		THROAT PLATE BASE COVER FELT				*		1	
72		40179198		THROAT PLATE	FOR LS-2-342H,LS-2342H-7					1	
73		40034675		THREAD_GUIDE_ASM_E	FOR LS-2-342S-7,LS-2342H-7					1	
74		40034674		THREAD_GUIDE	FOR LS-2-342S-7,LS-2342H-7			*		1	
75		40042716		THREAD_PRESSER_PLATE	FOR LS-2-342S-7,LS-2342H-7			*		1	
76		B1132521000		THREAD PRESSER PLATE SPRING	FOR LS-2-342S-7,LS-2342H-7			*		1	
77		SD0380556TL		SHOULDER SCREW D=3.8 H=5.5	FOR LS-2-342S-7,LS-2342H-7			*		1	
78		40179210		SHOULDER SCREW						1	

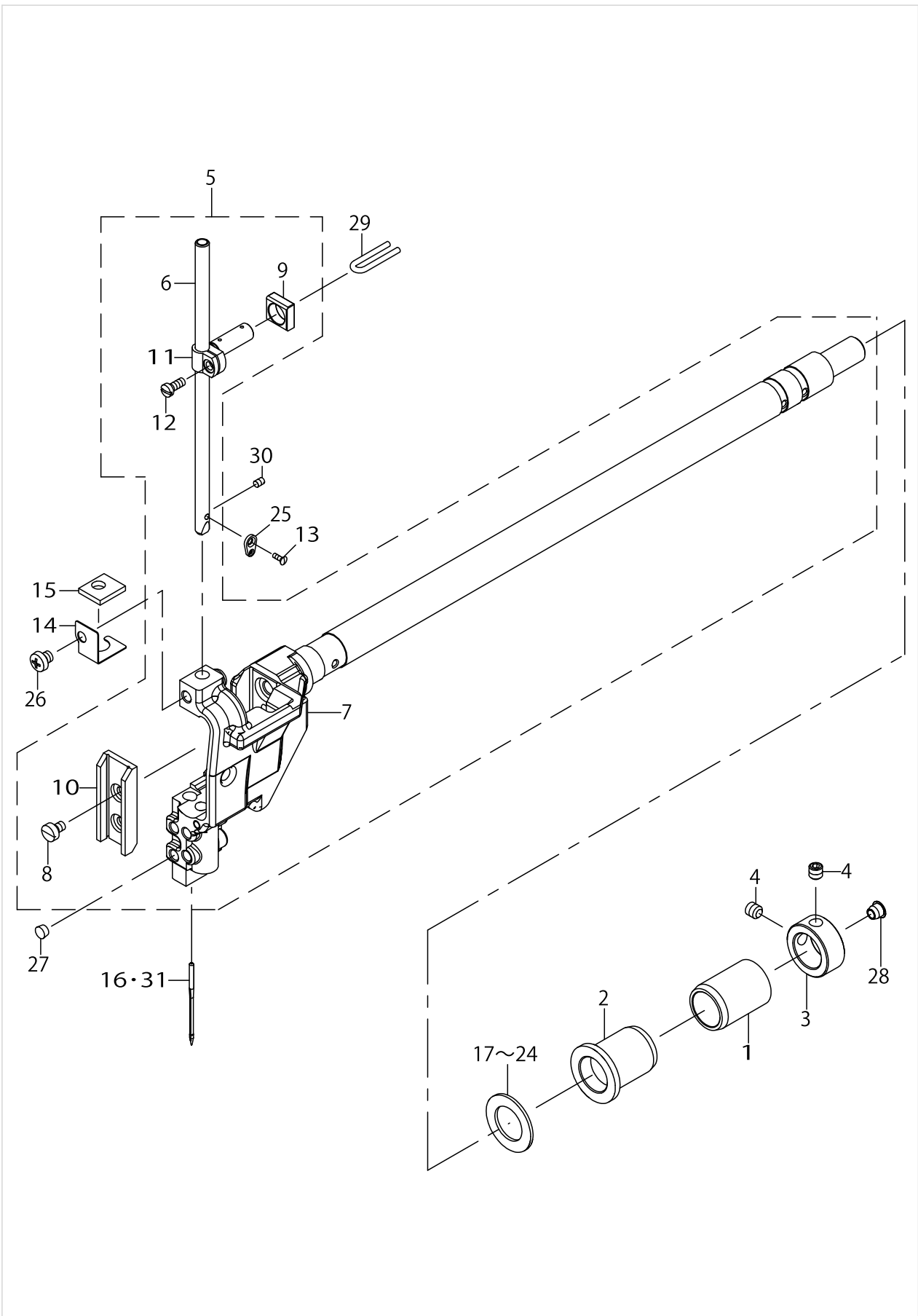
MAIN SHAFT & THREAD TAKE-UP LEVER COMPONENTS



MAIN SHAFT & THREAD TAKE-UP LEVER COMPONENTS

No.	Supply Code	Parts No.	Replacement	Parts name	Remarks	Choice	Step	Level	Cons	Qty	Rep. QTY
1		40112087		MAIN_SHAFT_DD						1	
2		40130702		HAND_WHEEL						1	
3		40112312		COUPLING_ASSY						1	
4	R	40130277	40112312	HUB_L				*		1	1.00
5		40112106		HUB_R				*		1	
6	R	40125950	40112312	SPIDER				*		1	1.00
7		SM8050812TP		SCREW M5X8				*		4	
8		WP0820516SP		WASHER 11.6X8.2X0.6						1	
9		40160403		SPROCKET UPPER						1	
10		40158913		TIMING_BELT					☆	1	
11		40143083		BUSHING REAR						1	
12		23605207		MAIN SHAFT BEARING SUPPORT						1	
13		SB120001800		BEARING						1	
14		SM80608A2TP		SCREW M6 L=8						2	
15		SM8060812TP		SCREW M6 L=8						2	
16		SB120002700		BEARING						1	
17		SL6052592TN		BOLT						4	
18		SM8060812TP		SCREW M6 L=8						2	
19		SM8060612TP		SCREW M6 L=6						2	
20		SM8080812TP		SCREW M8X8						2	
21		10721504		FEED ADJUSTING PIN						1	
22		40010437		CRANK_BALANCER_ASM.						1	
23	R	40010438	40010437	CRANK_BALANCER				*		1	1.00
24		40010439		CRANK_BALANCER_FIX_PLATE				*		1	
25		40010440		CRANK_BALANCER_FIX_PLATE_SCREW				*		2	
26		40126244		AC SERVO MOTOR						1	
27		40112091		COUNTER_WEIGHT						1	
28		40112092		NEEDLE_BAR_CRANK						1	
29		40112093		NEEDLE_BAR_CRANK_ROD						1	
30		40112094		CRANK_ROD_BUSH						1	
31		40011902		THREAD_TAKE_UP_CRANK_SHAFT						1	
32		40125930		TAKE_UP_LEVER_CRANK						1	
33		40127049		THREAD_TAKE_UP_ASM.						1	
34		40125939		THREAD_TAKE_UP				*		1	
35		10546901		BUSH				*		1	
36		SB108002400		BEARING						2	
37		SM8060812TP		SCREW M6 L=8						2	
38		40010533		BTW_DRIVING_WHEEL_ASM.						1	
39	R	40010534	40010533	BTW_DRIVING_WHEEL				*		1	1.00
40		40010535		DRIVING_WHEEL_SCREW				*		2	

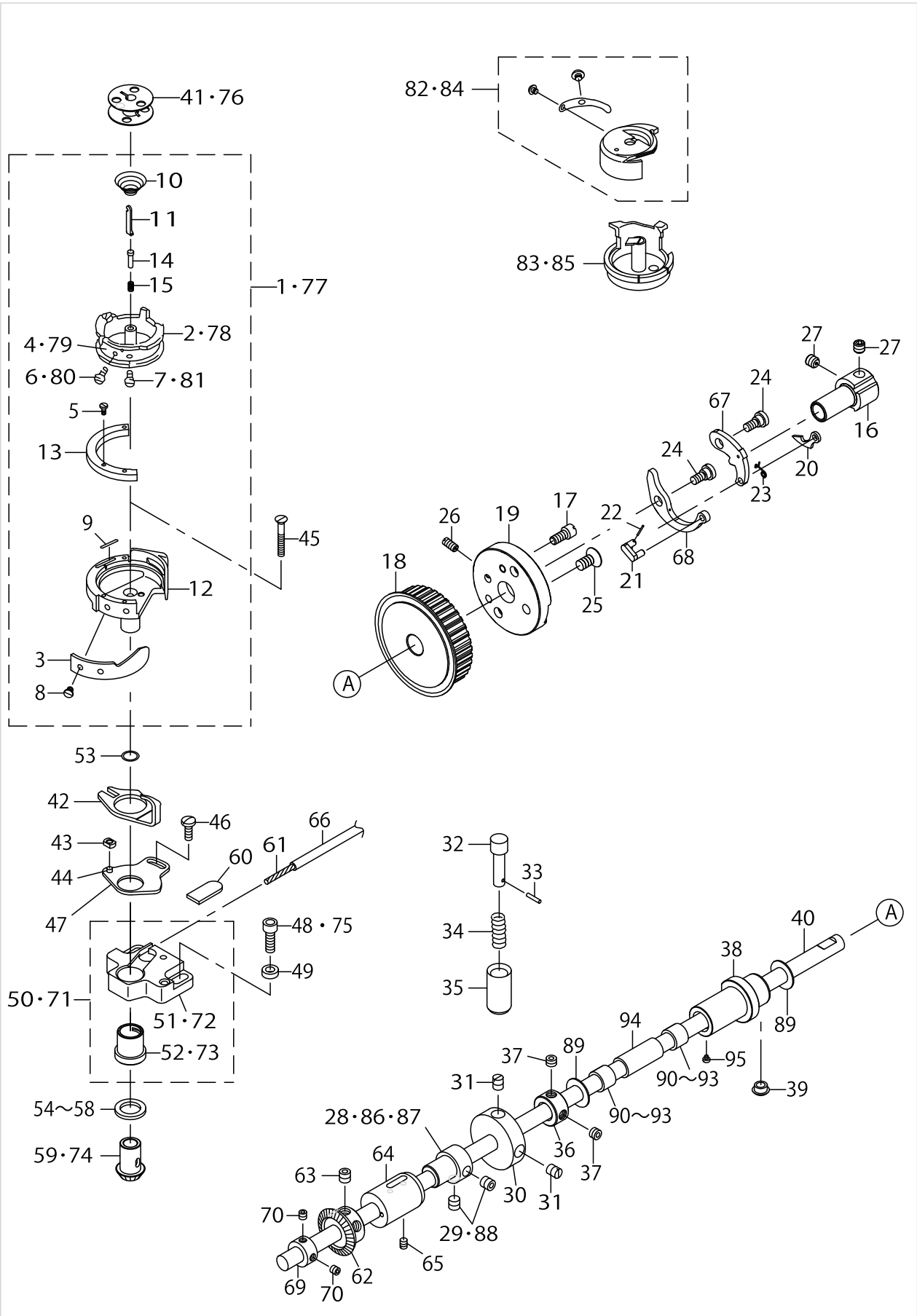
NEEDLE BAR COMPONENTS



NEEDLE BAR COMPONENTS

No.	Supply Code	Parts No.	Replacement	Parts name	Remarks	Choice	Step	Level	Cons	Qty	Rep. QTY
1		40010709		NF SHAFT BUSH R						1	
2		40152451		BUSHING						1	
3		CS1701181TP		THRUST COLLAR D=17 W=11						1	
4		SM8060612TP		SCREW M6 L=6						2	
5		40126402		N,B,ROCKING_BASE_ASM_2810E						1	
6		40143220		NEEDLE_BAR_2810A				*		1	
7	R	40136296	40126402	N,B,ROCKING_BASE_ASM_2810E		A	PLC-2810.- 2710.2828 LS-1342/X55316	*		1	1.00
7	R	40136296	40127054	N,B,ROCKING_BASE_ASM_2810E		B	PLC-2860.- 2760L PLC-2760	*		1	1.00
8		SM6040650TP		SCREW				*		2	
9		40112152		NEEDLE_ROD_SQUARE_BLOCK				*		1	
10		40127041		NEEDLE_BAR_GUIDE				*		1	
11		40112273		NEEDLE BAR CONNECTION				*		1	
12		SS7090910TP		SCREW 9/64-40 L=8.5				*		1	
13		SS2060310SP		SCREW 3/32-56 L=3						1	
14		40112270		FELT HOLDER						1	
15		40112272		NEEDLE_BAR_FELT_E						1	
16		MC321001400		NEEDLE 134-35 #140	FOR LS-2- 342S,LS-2342S-7				☆	1	
17		B1438512B00		WASHER 17.1X28X1.5	SELECTIVE PARTS					1	
18		22606206		SPACER Y	SELECTIVE PARTS					1	
19		22606305		SPACER Z	SELECTIVE PARTS					1	
20		22607600		SPACER A	SELECTIVE PARTS					1	
21		22607709		SPACER B	SELECTIVE PARTS					1	
22		22607808		SPACER D	SELECTIVE PARTS					1	
23		22607907		SPACER E	SELECTIVE PARTS					1	
24		22606404		SPACER F	SELECTIVE PARTS					1	
25		40143221		NEEDLE_BAR_THRE- AD_GUIDE_2810A						1	
26		SM4050501SC		SCREW M5X0.8 L=5						1	
27		TA0500301R0		PLUG 5X5.8 L=3						4	
28		TA0620504R0		CAP						1	
29		CQ252000000		OIL WICK						.1	
30		SS8080410TP		SCREW 1/8-44 L=3.5						1	
31		MC321001800		NEEDLE 134-35 #180	FOR LS-2- 342H,LS-2342H-7				☆	1	

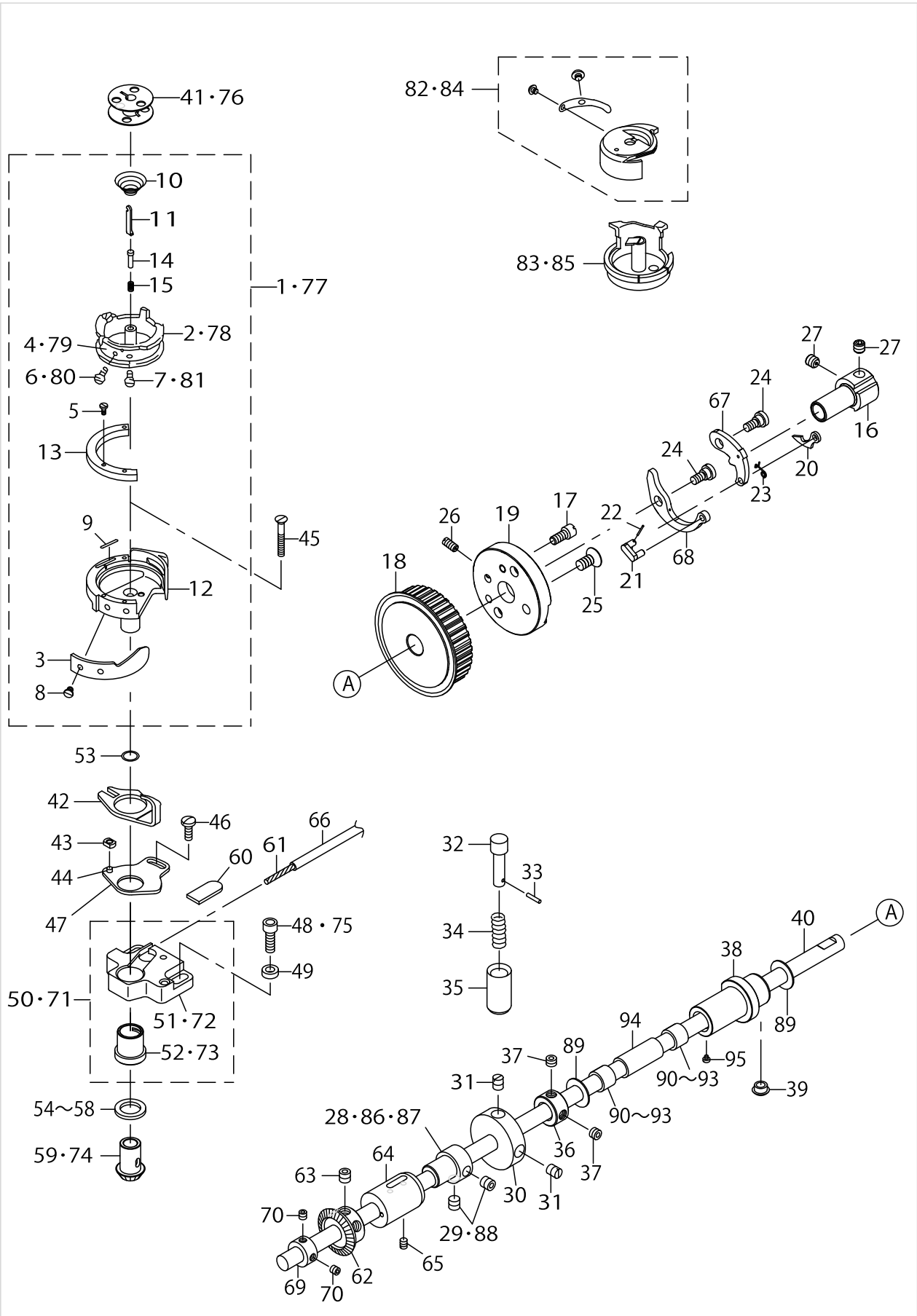
LOWER SHAFT COMPONENTS



LOWER SHAFT COMPONENTS

No.	Supply Code	Parts No.	Replacement	Parts name	Remarks	Choice	Step	Level	Cons	Qty	Rep. QTY
1		40161345		HOOK ASM.	FOR LS-2-342S,LS-2342H					1	
2		40161346		INNER HOOK	FOR LS-2-342S,LS-2342H			*		1	
3		40161347		NEEDLE GUARD				*		1	
4		40148034		TENTION_SPRING	FOR LS-2-342S,LS-2342H			*		1	
5		40079904		INNER HOOK HOLDER SETSCREW				*		3	
6		40148035		ADJUSTING_SCREW	FOR LS-2-342S,LS-2342H			*		1	
7		40148036		TENTION_SPRING_SETSCREW	FOR LS-2-342S,LS-2342H			*		1	
8		40079905		NEEDLE GUARD SETSCREW				*		2	
9		40161353		FELT				*		1	
10		40079912		IDLING PRIVENTION SPRING				*		1	
11		40161356		BOBBIN PRESSER				*		1	
12		40161354		OUTER HOOK				*		1	
13		40161355		INNER HOOK PRESSER				*		1	
14		40079902		PRESSER LIFTER				*		1	
15		40079903		PRESSER LIFTER SPRING				*		1	
16		21387808		SAFETY BASE						1	
17		21387907		ADJUSTING PIN (1.2)						1	
18		40160404		LOWER SHAFT SPROCKET						1	
19		40161864		CLUTCH BASE						1	
20		B1308055000		SAFETY CLUTCH COUNTER-HOOK						1	
21		B1310055000		SAFETY CLUTCH SMALL LINK						1	
22		B1314055000		SAFETY CLUTCH SMALL LINK PIN						1	
23		40113224		COUNTER HOOK SPRING						1	
24		SD0640322TP		HINGE SCREW D=6.35 H=3.2						2	
25		SM1061201SN		SCREW M6 L=12						2	
26		SS8111010TP		SCREW 11/64-40 L=9.5						1	
27		SS8660612TP		SCREW 1/4-40 L=6						2	
28		21429402		FEED DRIVING CAM (0.6)	FOR LS-2-342S,LS-2342S-7					1	
29		SS8660612TP		SCREW 1/4-40 L=6	FOR LS-2-342S,LS-2342S-7					2	
30		B1301340000		SAFETY CLUTCH DISK						1	
31		SS8150710TP		SCREW 15/64-28 L=7						2	
32		21223409		SAFETY CLUTCH PUSH BUTTON						1	
33		PS0200102KH		SPRING PIN 2.0X10						1	
34		B1639051000		SPRING						1	
35		21223508		PUSH BUTTON CYLINDER						1	
36		23102700		LOWER SHAFT THRUST HOLDER						1	
37		SS8150432TH		SCREW 15/64-28 L=4						2	
38		40178025		LOWERSHAFTMETAL						1	
39		TA0750404R0		PLUG D=7.5 L=3.5						1	
40		40159231		LOWER SHAFT						1	
41		B9117201000		BOBBIN	FOR LS-2-342S,LS-2342H					1	
42		40179232		OPENER						1	
43		40161361		SLIDE BLOCK						1	

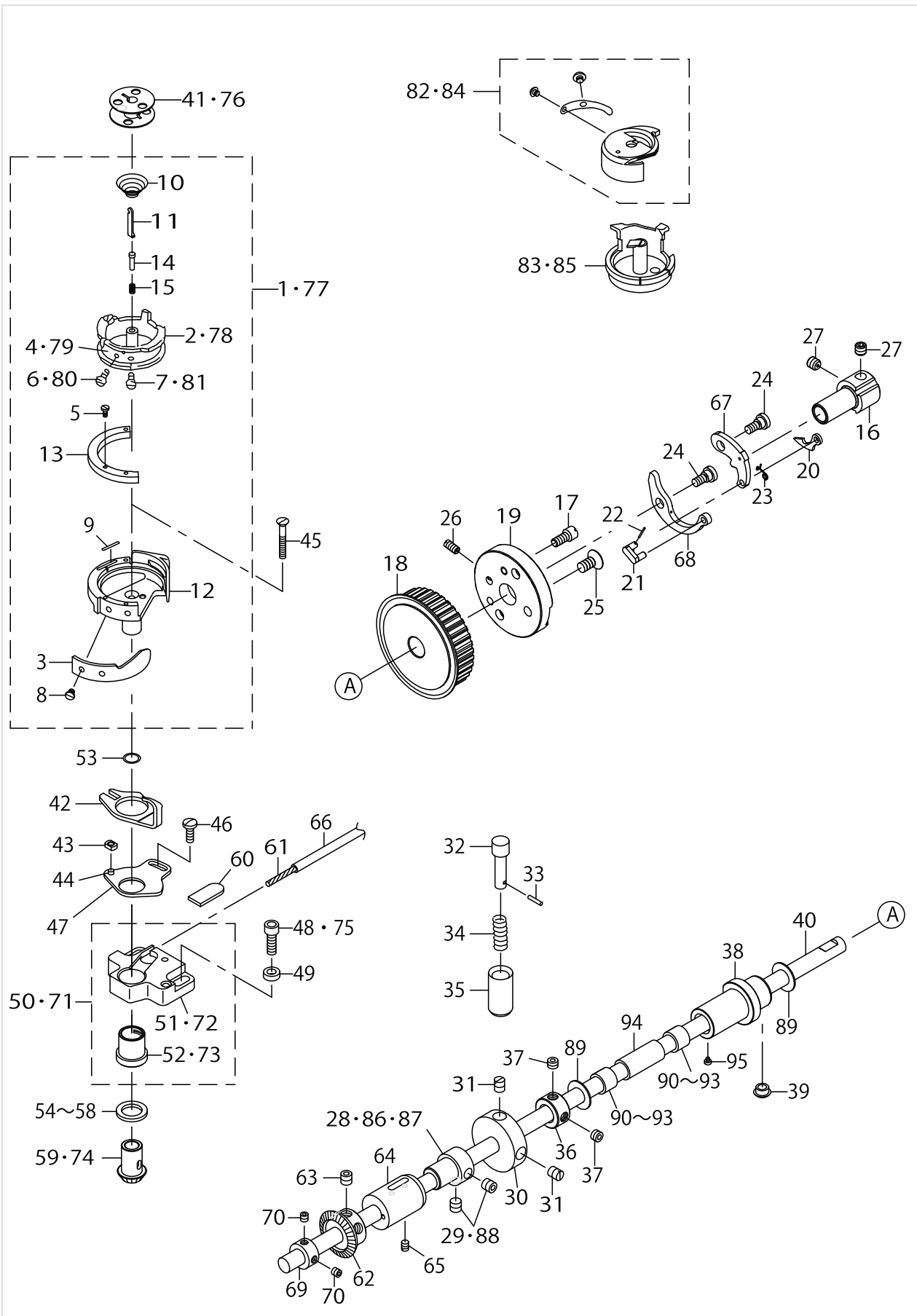
LOWER SHAFT COMPONENTS



LOWER SHAFT COMPONENTS

No.	Supply Code	Parts No.	Replacement	Parts name	Remarks	Choice	Step	Level	Cons	Qty	Rep. QTY
44		40161362		SLIDE BLOCK PIN						1	
45		SS1092810SP		SCREW 9/64-40 L=25.4						1	
46		SS7091110TP		SCREW 9/64-40 L=10.5						1	
47		40163082		OPENER ADJUSTING PLATE						1	
48		SM6051552TP		SCREW M5 L=15	FOR LS-2-342S,LS-2342H					2	
49		40090530		WASHER						2	
50		40029253		HOOK SHAFT BASE ASM.	FOR LS-2-342S,LS-2342H					1	
51	R	40029250	40029253	HOOK SHAFT BASE	FOR LS-2-342S,LS-2342H			*		1	1.00
52		40029246		HOOK SHAFT METAL	FOR LS-2-342S,LS-2342H			*		1	
53		GAW01507000		SPACER						1	
54		40160476		WASHER A	SELECTIVE PARTS					1	
55		40160477		WASHER B	SELECTIVE PARTS					1	
56		40160478		WASHER C	SELECTIVE PARTS					1	
57		40160479		WASHER D	SELECTIVE PARTS					1	
58		B1820246000		WASHER	SELECTIVE PARTS					1	
59		21227301		HOOK SHAFT GEAR	FOR LS-2-342S,LS-2342H					1	
60		21431200		HOOK SHAFT LUBRICATION FELT						1	
61		CQ202000000		OIL WICK						.15	
62		B1836246000A		LOWER SHAFT BEVEL GEAR						1	
63		SS8660612TP		SCREW 1/4-40 L=6						3	
64		B1803246000		BUSHING INTERMEDIATE						1	
65		SS8110410TP		SCREW 11/64-40 L=3.5						1	
66		BT0500300EA		OIL TUBE						.05	
67		21387600		SAFETY CLUTCH HOOK						1	
68		21387709		SAFETY CLUTCH SPRING						1	
69		40161501		THRUST COLLAR						1	
70		SS8110422TP		SCREW 11/64-40 L=4						2	
71		40091908		HOOK SHAFT BASE-(FOR THREAD TRIMMER)ASM.	FOR LS-2-342S-7,LS-2342H-7					1	
72	R	40091899	40091908	HOOK SHAFT BASE-(FOR THREAD TRIMMER)	FOR LS-2-342S-7,LS-2342H-7			*		1	1.00
73		40029248		HOOK SHAFT METAL(FOR THREAD TRIMMER)	FOR LS-2-342S-7,LS-2342H-7			*		1	
74		23102205		HOOK SHAFT BEVEL GEAR	FOR LS-2-342S-7,LS-2342H-7					1	
75		SM6051202TP		SCREW M5X0.8 L=12	FOR LS-2-342S-7,LS-2342H-7					2	
76		10759603		ALUMINUM BOBBIN (DOUBLE-CUT)	FOR LS-2-342S-7,LS-2342H-7					1	
77		40162678		THREAD TRIMMER LATCH HOOK ASM.	FOR LS-2-342S-7,LS-2342H-7					1	
78		40162679		INNER HOOK	FOR LS-2-342S-7,LS-2342H-7			*		1	
79		40079898		TENTION SPRING	FOR LS-2-342S-7,LS-2342H-7			*		1	
80		40079899		ADJUSTING SCREW	FOR LS-2-342S-7,LS-2342H-7			*		1	
81		40079900		TENTION SPRING SETSCREW	FOR LS-2-342S-7,LS-2342H-7			*		1	
82		40163502		CAP	FOR LS-2-342S-7,LS-2342H-7 (-OPTIONAL PARTS)					1	

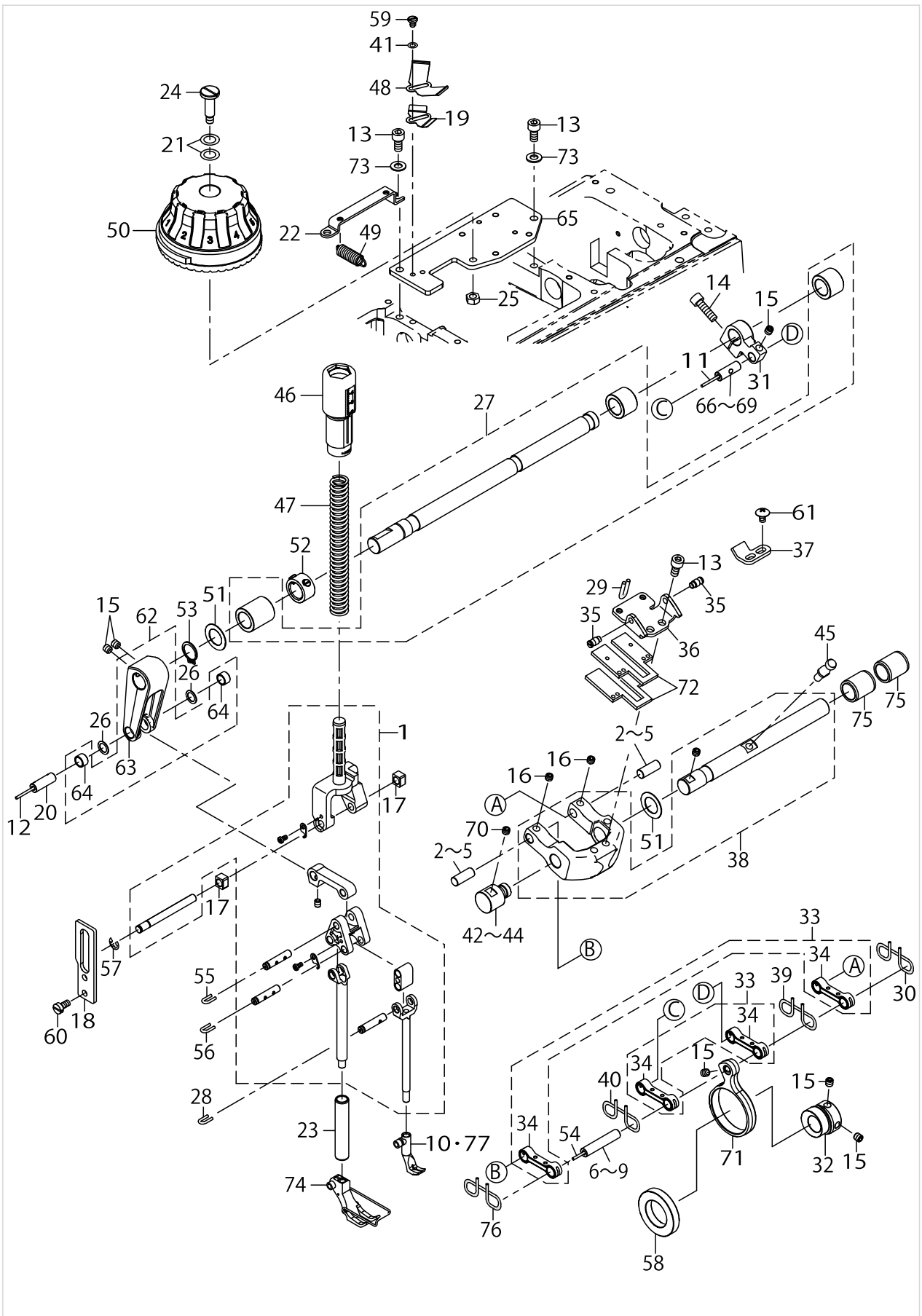
LOWER SHAFT COMPONENTS



LOWER SHAFT COMPONENTS

No.	Supply Code	Parts No.	Replacement	Parts name	Remarks	Choice	Step	Level	Cons	Qty	Rep. QTY
83		40163499		INNER HOOK	FOR LS-2-342S,LS-2-342H (OPTIONAL PARTS)					1	
84		40163500		CAP	FOR LS-2-342S,LS-2-342H (OPTIONAL PARTS)					1	
85		40163501		INNER HOOK	FOR LS-2-342S-7,LS-2342H-7 (-OPTIONAL PARTS)					1	
86		40092359		VERTICAL FEED TRIANGLE CAM	FOR LS-2342H					1	
87		21429907		FEED VERTICAL TRIANGULAR CAM	FOR LS-2342H-7					1	
88		SS8150822TP		SCREW 15/64-28 L=8	FOR LS-2-342H,LS-2342H-7					2	
89		40178026		WASHER						2	
90		SB30953010A		BEARING	SELECTIVE PARTS					2	
91	D	SB30953010B		BEARING	SELECTIVE PARTS					2	
92		SB30953010C		BEARING	SELECTIVE PARTS					2	
93		SB30953010D		BEARING	SELECTIVE PARTS					2	
94		40179196		COLLAR						1	
95		SM6020250TP		SCREW						1	

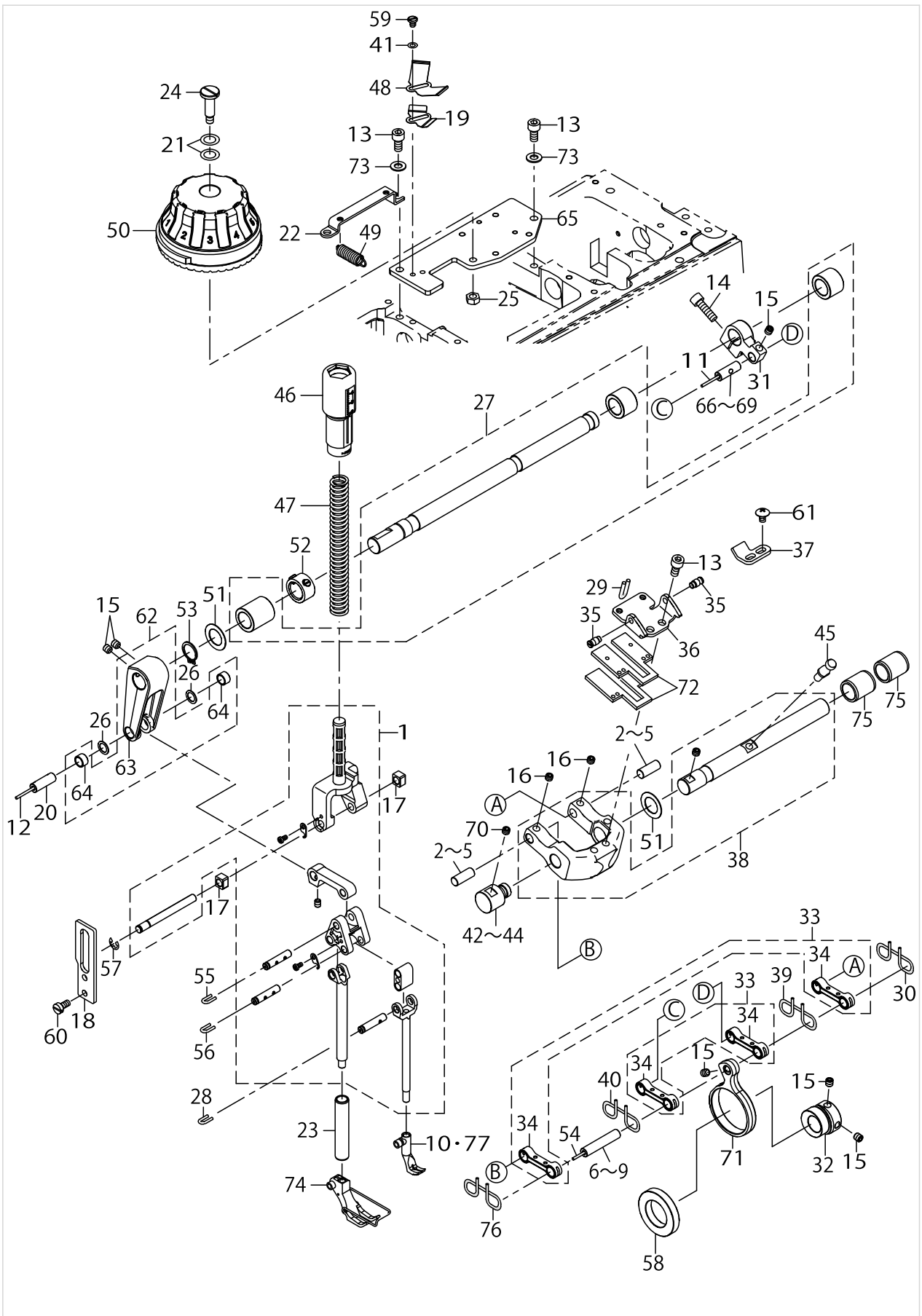
UPPER FEED COMPONENTS



UPPER FEED COMPONENTS

No.	Supply Code	Parts No.	Replacement	Parts name	Remarks	Choice	Step	Level	Cons	Qty	Rep. QTY
1		40144289		UPPER_FEED F ASM..E						1	
2		40149120		FEED_ADJUSTING_PIN_A	SELECTIVE PARTS					2	
3		40149121		FEED_ADJUSTING_PIN_B	SELECTIVE PARTS					2	
4		40149122		FEED_ADJUSTING_PIN_C	SELECTIVE PARTS					2	
5		40149123		FEED_ADJUSTING_PIN_D	SELECTIVE PARTS					2	
6		40149125		FEED_ROD_PIN_A	SELECTIVE PARTS					1	
7		40149126		FEED_ROD_PIN_B	SELECTIVE PARTS					1	
8	D	40149127		FEED_ROD_PIN_C	SELECTIVE PARTS					1	
9		40149128		FEED_ROD_PIN_D	SELECTIVE PARTS					1	
10		10711653		FEED FOOT ASM.	FOR LS-2342S					1	
11		CQ202000000		OIL WICK						.02	
12		CQ202000000		OIL WICK						.02	
13		SM6061202TP		SCREW M6 L=12						5	
14		SM6062002TP		SCREW M6 L=20						1	
15		SM8060612TP		SCREW M6 L=6						6	
16		SM8060552TP		SCREW M6 L=5						2	
17		40090058		SLIDE BLOCK						2	
18		40125943		PRESSER ROD GUIDE						1	
19		40154199		LEAF_SPRING_ADJUSTING_PLATE						1	
20		40123634		ROCKING_LINK_PIN						1	
21		40023627		PRESSER PLATE SHEET WASHER						2	
22		40125867		SPRING_HOOK						1	
23	R	40135014	40171574	BUSHING						1	1.00
24	R	SD0802126TP	40082079	SHOULDER SCREW D=8 H=21.2						1	1.00
25		NM6060001SD		NUT M6						1	
26		E2613700000		WASHER						2	
27		40123319		UPPER_FEED_SHAFT_ASM.						1	
28		CQ252000000		OIL WICK						.048	
29		CQ202000000		OIL WICK						.1	
30		CQ202000000		OIL WICK						.25	
31		40126160		UPPER_FEED_REAR_ARM						1	
32		40126390		UPPER_FEED_CAM						1	
33		40126338		CONNECTION_LINK_ASM.						2	
34	R	40126223	40126338	CONNECTION_LINK				*		2	1.00
35		40038494		THREAD_BIND_ARM_SPRING_RACK						2	
36		40126269		CHANGE_BASE_SPRING_RACK						1	
37		40126264		CHANGE_BASE_STOPPER						1	
38		40123416		UPPER_FEED_CHANGE_BASE_ASM.						1	
39		CQ202000000		OIL WICK						.25	
40		CQ202000000		OIL WICK						.25	
41		WP0430800SD		WASHER M4						4	
42		40145548		UF_CHANGE_BASE_SUPPORT_PIN	SELECTIVE PARTS					1	
43		40145549		UF_CHANGE_BASE_SUPPORT_PIN	SELECTIVE PARTS					1	
44		40145550		UF_CHANGE_BASE_SUPPORT_PIN	SELECTIVE PARTS					1	
45		40126374		VERTICAL_ADJUSTING_PIN						1	
46		40125926		PRESSER_ADJUSTING_SCREW						1	

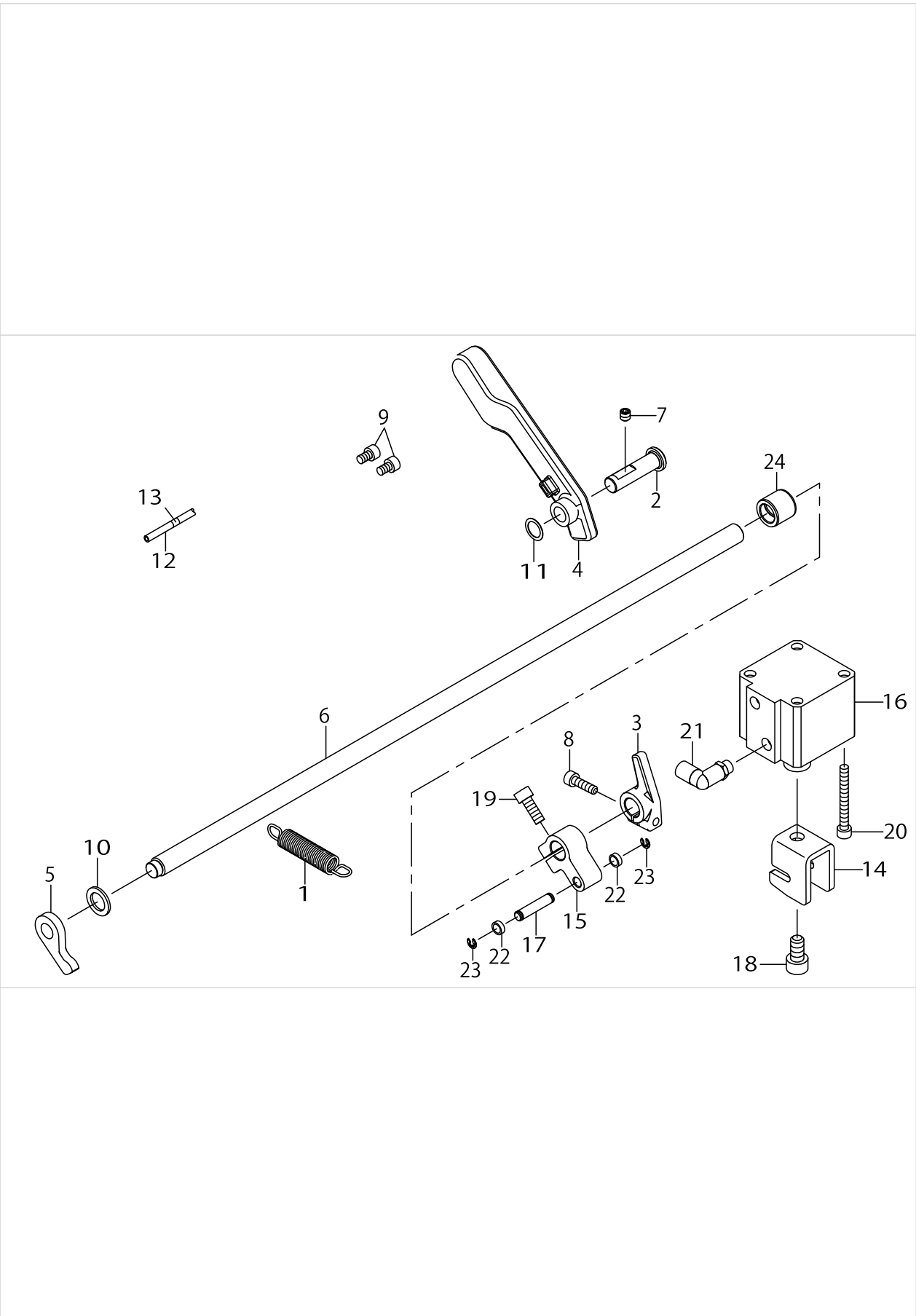
UPPER FEED COMPONENTS



UPPER FEED COMPONENTS

No.	Supply Code	Parts No.	Replacement	Parts name	Remarks	Choice	Step	Level	Cons	Qty	Rep. QTY
47		40112197		PRESSER_SPRING					☆	1	
48		40112199		LEAF_SPRING						1	
49		40126400		SPRING						2	
50		40125850		VERTICAL_DIAL(VE)						1	
51		D1231555B00		WASHER						2	
52		22904155		MAIN SHAFT THRU-ST COLLAR ASM.						1	
53		RC0150001KP		RETAINING RING 13.8						1	
54		CQ202000000		OIL WICK						.042	
55		CQ252000000		OIL WICK						.048	
56		CQ252000000		OIL WICK						.048	
57		RE0500000K0		E-RING						1	
58		SB125000600		BEARING						1	
59		SM6040650TP		SCREW						2	
60		SM6051000SP		SCREW						2	
61		SM0050801SC		SCREW						2	
62		40126159		UPPER_FEED_FRONT_ARM_ASM.						1	
63	R	40126157	40126159	UPPER_FEED_FRONT_ARM					*	1	1.00
64	R	40126158	40126159	UPPER_FEED_FRONT_ARM_BUSH					*	2	1.00
65		40125868		INSTALLING_PLATE						1	
66		40149115		ROCKING_LINK_PIN_A	SELECTIVE PARTS					1	
67		40149116		ROCKING_LINK_PIN_B	SELECTIVE PARTS					1	
68		40149117		ROCKING_LINK_PIN_C	SELECTIVE PARTS					1	
69		40149118		ROCKING_LINK_PIN_D	SELECTIVE PARTS					1	
70		SM80608A2TP		SCREW M6 L=8						1	
71		40125876		UPPER_FEED_CAM_ROD						1	
72		40123345		FELT						2	
73		WP0651001SC		WASHER						2	
74		10758456		PRESSER FOOT ASM.						1	
75		22913008		FEED ROCKER SHAFT BUSHING						2	
76		CQ202000000		OIL WICK						.25	
77		10712354		FEED FOOT ASM.	FOR LS-2-342H, LS-2-342H-7, LS-2342S-7					1	

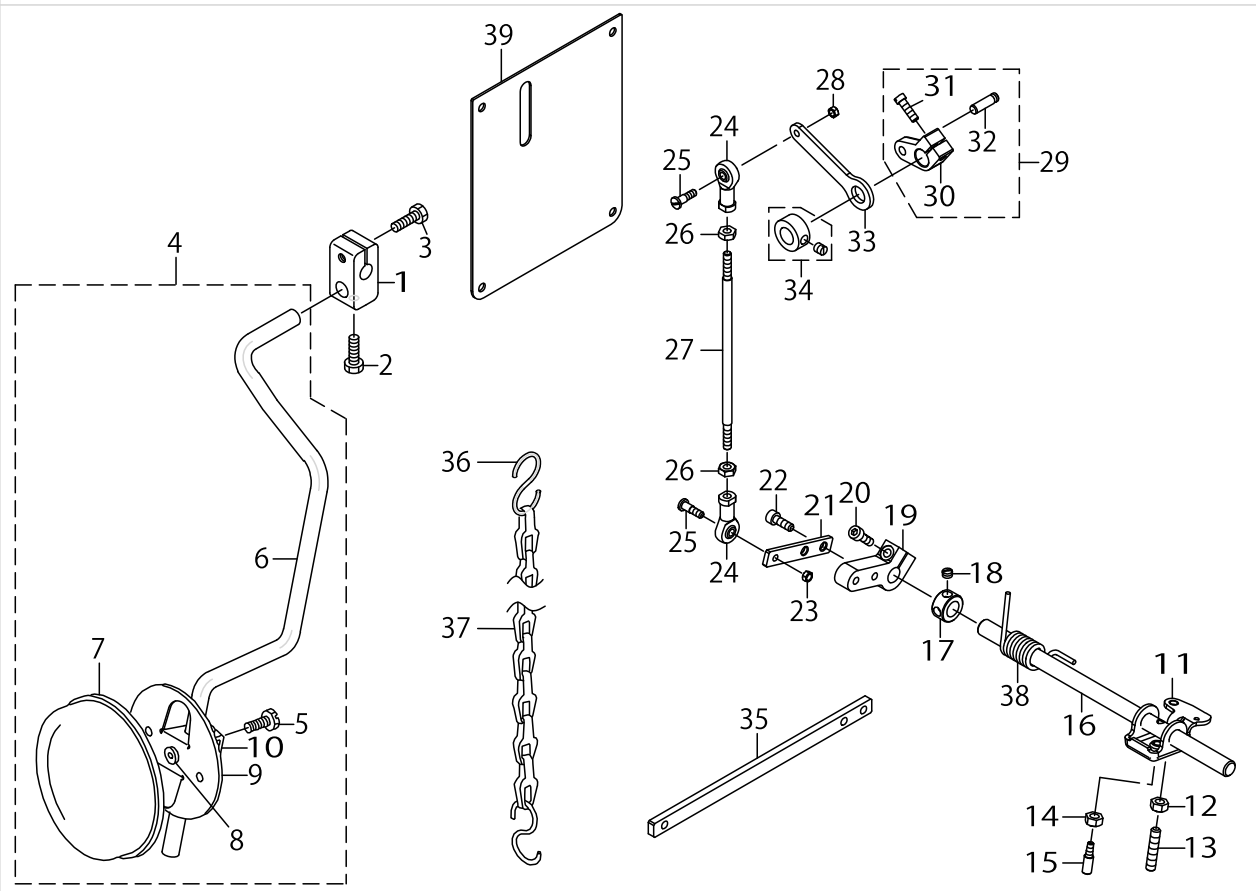
HAND LIFTER & AUTO LIFTER COMPONENTS



HAND LIFTER & AUTO LIFTER COMPONENTS

No.	Supply Code	Parts No.	Replacement	Parts name	Remarks	Choice	Step	Level	Cons	Qty	Rep. QTY
1		40126367		SPRING						1	
2		40006716		THREAD_TRIMMER_SHAFT						1	
3		40112184		LIFTER_LEVER_A						1	
4		40126150		LIFTER_LEVER_B						1	
5		40144283		LIFTER PLATE						1	
6		40126364		LIFTER_SHAFT						1	
7		SM8060612TP		SCREW M6 L=6						1	
8		SM6051802TP		SCREW M5 L=18						1	
9		SM6050802TP		SCREW M5X0.8 L=8						2	
10		13409107		WASHER						1	
11		WZ1052010KP		WAVED WASHER						1	
12		BT0400251EB		URETHANE HOSE BLACK						.53	
13		18035303		WIRE MARK (4)						1	
14		40112187		KNUCKLE_JOINT_A						1	
15		40112188		LIFTING_ARM						1	
16		PA400150200		AIR CYLINDER						1	
17		22949101		ROLLER FULCRUM SHAFT						1	
18		SM6081552TP		SCREW M8 L=15						1	
19		SM6061602TP		SCREW M6 L=16						1	
20		SM6054502TN		SCREW M5 L=45						4	
21		PJ304045102		ELBOW UNION C						1	
22		13951009		PRESSER FOOT ROLLER						2	
23		RE0400000K0		E-RING 4						2	
24		40086018		BUSHING_MAIN_FEED						1	

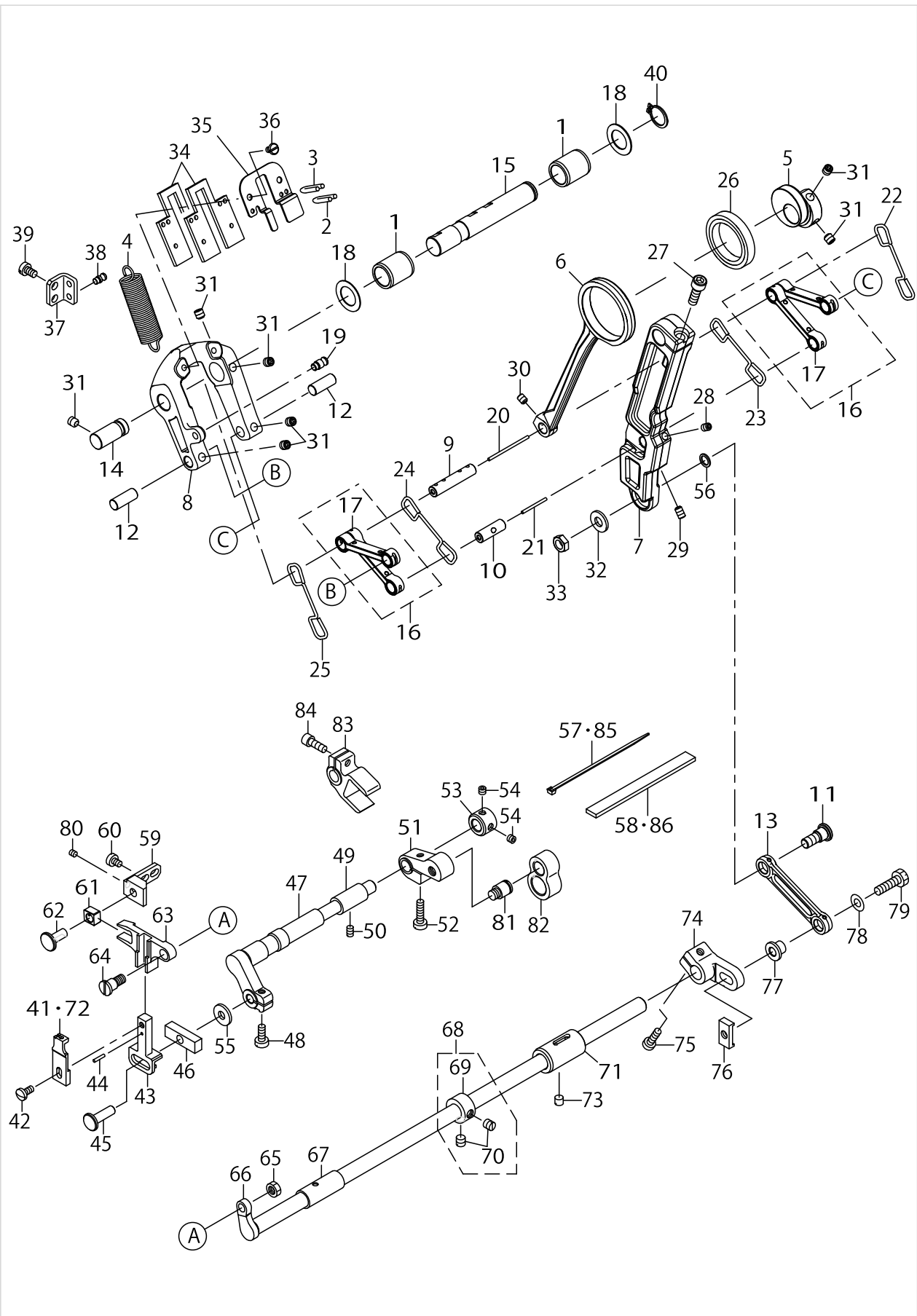
KNEE LIFTER COMPONENTS



KNEE LIFTER COMPONENTS

No.	Supply Code	Parts No.	Replacement	Parts name	Remarks	Choice	Step	Level	Cons	Qty	Rep. QTY
1	R	22932404	22932453	BRACKET	OPTIONAL PARTS					1	1.00
2		SM9061613SC		SCREW M6 L=16	OPTIONAL PARTS					1	
3		22934707		SCREW	OPTIONAL PARTS					1	
4		21433354		KNEE PRESS PLATE ASM.	OPTIONAL PARTS					1	
5		SM9061203SE		SCREW M6 L=12	OPTIONAL PARTS			*		1	
6	R	21433305	21433354	KNEE PRESS LEVER	OPTIONAL PARTS			*		1	1.00
7		22934509		KNEE PAD PLATE COVER	OPTIONAL PARTS			*		1	
8		22934400		KNEE PAD PLATE RUBBER	OPTIONAL PARTS			*		1	
9		22934202		KNEE PAD PLATE	OPTIONAL PARTS			*		1	
10		22934301		KNEE PAD PLATE SUPPORT	OPTIONAL PARTS			*		1	
11		40160259		KNEE_LIFTING_ROTATING_ARM						1	
12		NM6060001SE		NUT M6						1	
13		SM8063012TR		SCREW M6 L=30						1	
14		NM6060001SE		NUT M6						1	
15		40101720		SCREW_M6						1	
16		40158782		KNEE_LIFTER_SHAFT						1	
17		40160552		THRUST COLLAR						1	
18		SS8660530TP		SCREW 1/4-40 L=4.5						2	
19		21433404		PRESSER LIFTER ARM						1	
20		SM6051602TP		SCREW M5X0.8 L=16						1	
21		40158784		PRESSER LIFTER PLATE	OPTIONAL PARTS					1	
22		SM6051552TP		SCREW M5 L=15	OPTIONAL PARTS					2	
23		NS6110310SP		NUT 11/64-40	OPTIONAL PARTS					1	
24		40136701		ROD_END	OPTIONAL PARTS					2	
25		SD0500701TP		SHOULDER SCREW	OPTIONAL PARTS					2	
26		NM6050001SD		NUT M5X0.8	OPTIONAL PARTS					2	
27		40158783		KNEE LIFTER CONNECTING ROD	OPTIONAL PARTS					1	
28		NS6110310SP		NUT 11/64-40	OPTIONAL PARTS					1	
29		23613953		FEED LEVER ARM ASM.						1	
30		23613904		FEED LEVER ARM				*		1	
31		SS6121610TP		SCREW 3/16-28 L=15.5				*		1	
32		22912307		PIN				*		1	
33		40158786		KNEE_PAD_LINK						1	
34		CS1201010SH		THRUST COLLAR ASM. D=12 W=10						1	
35		21433503		PRESSER LIFTER PLATE	OPTIONAL PARTS					1	
36		13160304		S SHAPED HOOK	OPTIONAL PARTS					2	
37	R	B8131019000	26037903	CHAIN	OPTIONAL PARTS					1	1.00
38		40161502		KNEE_LIFTER_SPRING						1	
39		40158925		APERTURE_COVER	OPTIONAL PARTS					1	

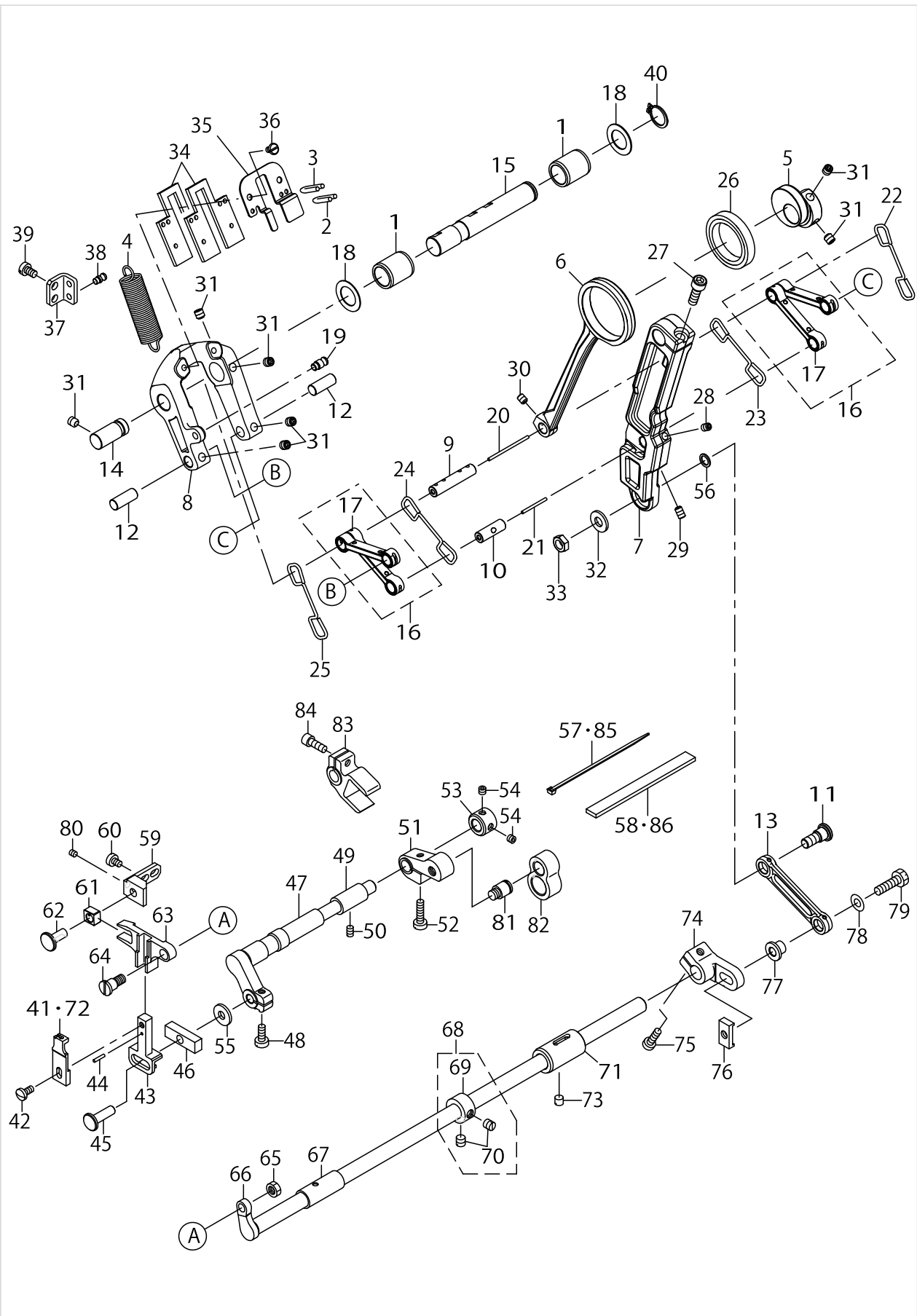
LOWER FEED COMPONENTS



LOWER FEED COMPONENTS

No.	Supply Code	Parts No.	Replacement	Parts name	Remarks	Choice	Step	Level	Cons	Qty	Rep. QTY
1		22913008		FEED ROCKER SHAFT BUSHING						2	
2		CQ202000000		OIL WICK						.05	
3		CQ202000000		OIL WICK						.05	
4		40126401		SPRING_B						1	
5		40123626		HORIZONTAL_FEED_CAM						1	
6		40126151		HORIZONTAL_FEED_ROD						1	
7		40123547		NEEDLE_BAR_ROCKING_LINK						1	
8		40123629		HORIZONTAL_FEED_CHANGE_BASE						1	
9		40112118		FEED_ROD_PIN						1	
10		40123634		ROCKING_LINK_PIN						1	
11		SD0900701TP		HINGESCREWD=9H=7						1	
12		40126375		FEED_ADJUSTING_PIN_A						2	
13		40158785		CONNECTING LINK						1	
14		40123639		HF_CHANGE_BASE_SUPPORT_PIN						1	
15		40123332		CHANGE_BASE_SHAFT						1	
16		40126339		CONNECTION_LINK_ASM.						2	
17	R	40123252	40126339	CONNECTION_LINK				*		2	1.00
18		D1231555B00		WASHER						2	
19		40038494		THREAD_BIND_ARM_SPRING RACK						1	
20		CQ202000000		OIL WICK						.042	
21		CQ202000000		OIL WICK						.02	
22		CQ202000000		OIL WICK						.3	
23		CQ202000000		OIL WICK						.3	
24		CQ202000000		OIL WICK						.3	
25		CQ202000000		OIL WICK						.3	
26		SB130000200		BEARING						1	
27		SM6061802TP		SCREW M6 L=18						1	
28		SM8050842TP		SETSCREW						1	
29		SM8050812TP		SCREW M5X8						1	
30		SM8050612TP		SCREW M5X6						1	
31		SM8060612TP		SCREW M6 L=6						7	
32		26018705		WASHER						1	
33		NS6680410SP		NUT 9/32-28						1	
34		40123345		FELT						2	
35		40123346		FELT HOLDER						1	
36		SM6040650TP		SCREW						2	
37		12288908		THROAT PLATE BASE B SUPPORT						1	
38		26017400		SPRING RAC						1	
39		SM6050800SP		SCREW M5 L=8						2	
40		RC0150001KP		RETAINING RING 13.8						1	
41		40161453		FEED_DOG	FOR LS-2-342S,LS-2342S-7					1	
42		SS7110840SP		SCREW 11/64-40 L=7.8						1	
43		40162682		FEED BASE						1	
44		PS0200102KH		SPRING PIN 2.0X10						1	
45		40091250		FEED BASE PIN						1	
46		40091254		FEED BASE SQUARE BLOCK						1	

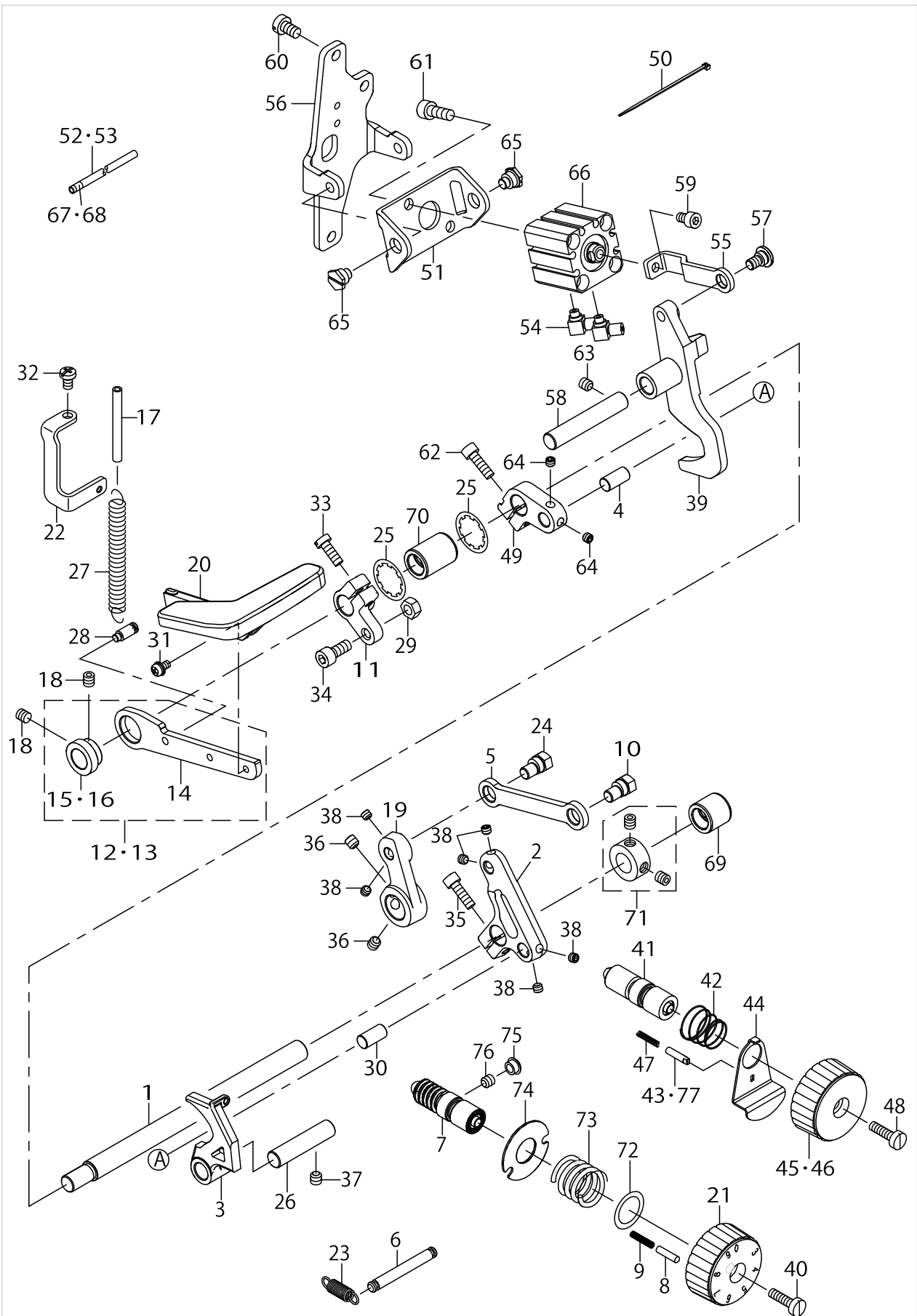
LOWER FEED COMPONENTS



LOWER FEED COMPONENTS

No.	Supply Code	Parts No.	Replacement	Parts name	Remarks	Choice	Step	Level	Cons	Qty	Rep. QTY
47		21429006		VERTICAL FEED SHAFT						1	
48		SS6121220TP		SCREW 3/16-28 L=11.5						1	
49		40091315		VERTICAL FEED SHAFT METAL						1	
50		SS8110710SP		SCREW 11/64-40 L=6.5						1	
51		21429105		VERTICAL FEED ARM	FOR LS-2-342S,LS-2342S-7					1	
52		SS6121850TP		SCREW 3/16-28 L=18	FOR LS-2-342S,LS-2342S-7					1	
53		21429709		VERTICAL FEED THRUST COLLAR						1	
54		SM8050402TP		SCREW						2	
55		40090727		WASHER						1	
56		10746709		WASHER						1	
57		A407855000A		CLIP BAND	FOR LS-2-342S,LS-2342S-7					1	
58		21429600		VERTICAL FEED ROD FELT	FOR LS-2-342S,LS-2342S-7					1	
59		40163496		HORIZONTAL FEED BASE SUPPORT						1	
60		SS6110610TP		SCREW 11/64-40 L=6						2	
61		40159234		SQUARE BLOCK						1	
62		40091245		HORIZONTAL FEED BASE SUPPORT PIN						1	
63		40162681		HORIZONTAL FEED BASE						1	
64		SD0790701SP		HINGE SCREW D=7.94 H=7						1	
65		NS6660430SP		NUT 1/4-40						1	
66		40158781		HORIZONTAL FEED SHAFT						1	
67		B1607246000		BUSHING FRONT						1	
68		GS111101CSH		THRUST COLLAR A-SM. D=11.11 W=10						1	
69		GS1111019SH		THRUST COLLAR D=11.11 W=10				*		1	
70		SS8660610TP		SCREW 1/4-40 L=6				*		2	
71		21427703		HORIZONTAL FEED SHAFT D						1	
72		40162643		FEED DOG	FOR LS-2-342H,LS-2342H-7					1	
73		SS8150510TP		SCREW 15/64-28 L=4.7						1	
74		40179279		HORIZONTAL FEED ARM						1	
75		SS6121610TP		SCREW 3/16-28 L=15.5						1	
76		21428503		HORIZONTAL FEED ARM STOPPER						1	
77		21428404		HORIZONTAL FEED ARM ROD						1	
78		WP0621016SH		WASHER						1	
79		SS9152130CP		SCREW 15/64-28 L=20.5						1	
80		SS8110422TP		SCREW 11/64-40 L=4						1	
81		21048707		HINGE SCREW	FOR LS-2-342S,LS-2342S-7					1	
82		21429204		VERTICAL FEED ROD	FOR LS-2-342S,LS-2342S-7					1	
83		21429808		VERTICAL FEED BRANCH	FOR LS-2-342H,LS-2342H-7					1	
84		SM6051402TP		SCREW M5X0.8 L=14	FOR LS-2-342H,LS-2342H-7					1	
85		EA9500B0100		CABLE BAND	FOR LS-2-342H,LS-2342H-7					2	
86		40019128		VERTICAL FEED BRANCH FELT	FOR LS-2-342H,LS-2342H-7					1	

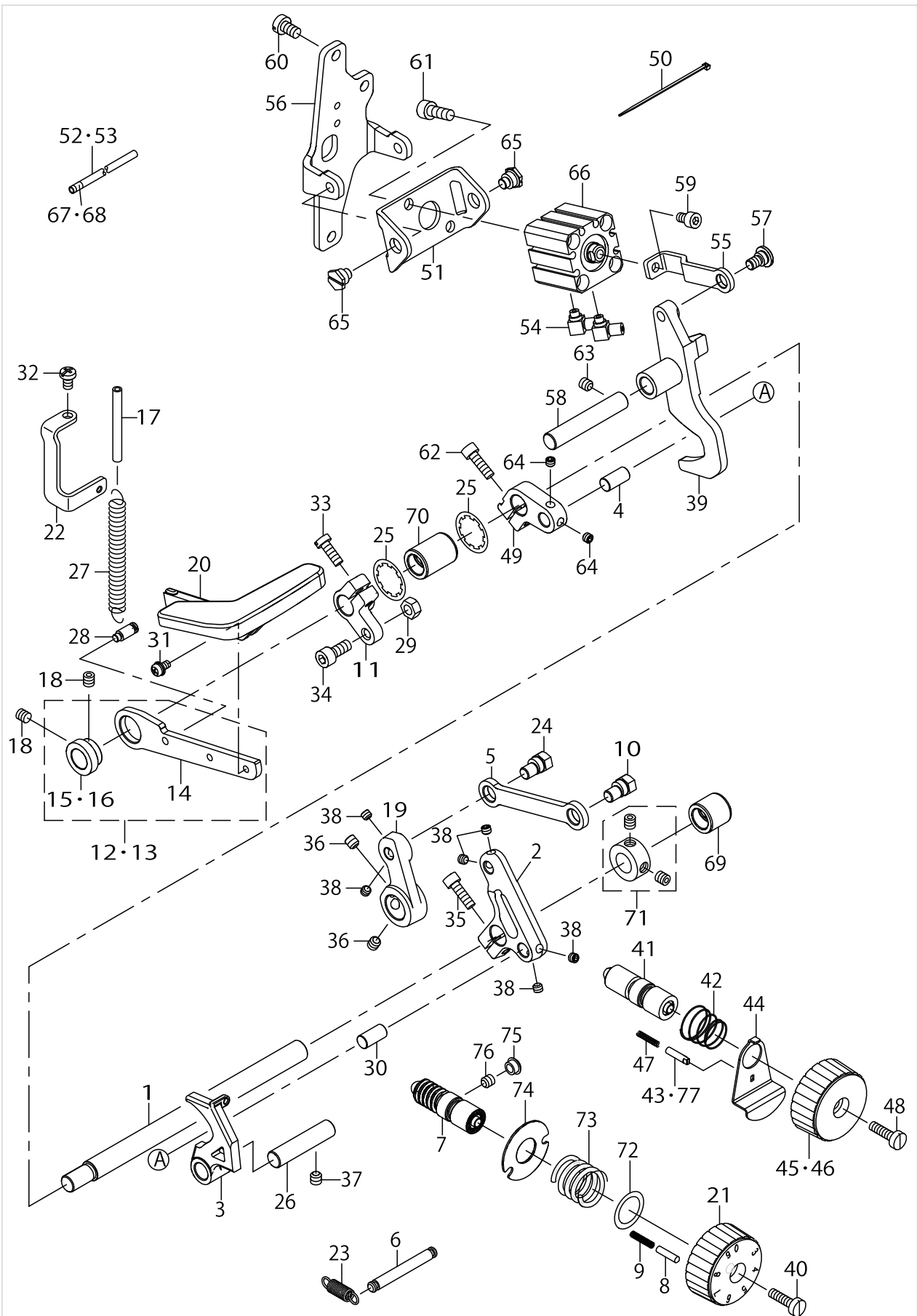
FEED ADJUST COMPONENTS



FEED ADJUST COMPONENTS

No.	Supply Code	Parts No.	Replacement	Parts name	Remarks	Choice	Step	Level	Cons	Qty	Rep. QTY
1		40126363		BACKWARD_FEED_LEVER_SHAFT						1	
2		40125934		FEED_ADJUSTING_PIN_HOLDER_A						1	
3		40125919		ADJUSTING_BASE_A						1	
4		40131887		FEED_ADJUSTING_PIN	FOR LS-2-342S-7,LS-2342H-7					1	
5		40126561		FEED_ADJUSTING_LINK						1	
6		13518501		SPRINGSUSPENSION						1	
7		22911804		FEED REGULATOR SCREW	FOR LS-2-342S,LS-2342H				☆	1	
8		40122887		FEED REGULATOR PIN	FOR LS-2-342S,LS-2342H					1	
9		22912109		FEED REGULATOR PIN SPRING	FOR LS-2-342S,LS-2342H					1	
10		23613409		FEED ADJUSTING PIN						1	
11		40112127		BACKWARD_FEED_C-CONNECTING_ARM	FOR LS-2-342S-7,LS-2342H-7					1	
12		40112128		REVERSE_FEED_LEVER_PLATE_ASM.	FOR LS-2-342S-7,LS-2342H-7					1	
13		40126362		REVERSE_FEED_LEVER_ASM.	FOR LS-2-342S,LS-2342H					1	
14	R	40112281	40112128	REVERSE_FEED_REVER_PLATE		A	糸切り仕様- /Needle thread trimming type	*		1	1.00
14	R	40112281	40126362	REVERSE_FEED_REVER_PLATE		B	糸切り無仕様/ No Needle thread trimming type	*		1	1.00
15	R	40112282	40112128	REVERSE_FEED_REVER_BUSH	FOR LS-2-342S-7,LS-2342H-7	A	for LU	*		1	1.00
15	R	40112282	40129991	REVERSE_FEED_REVER_BUSH	FOR LS-2-342S-7,LS-2342H-7	B	for PLC	*		1	1.00
16		40126555		REVERSE_FEED_LEVER_BUSH	FOR LS-2-342S,LS-2342H				*	1	
17		23630007		TUBE	FOR LS-2-342S-7,LS-2342H-7					.08	
18		SM8060612TP		SCREW M6 L=6	FOR LS-2-342S,LS-2342H					2	
19		40123628		FEED_ADJUSTING_ARM						1	
20		40126116		REVERSE_FEED_LEVER_DRAFT						1	
21		40142199		FEED_DIAL	FOR LS-2-342S,LS-2342H				☆	1	
22		40125864		REVERSE_FEED_LEVER_SPRING_HOOK	FOR LS-2-342S-7,LS-2342H-7					1	
23		10721306		CHANGE SPRING						1	
24		23613409		FEED ADJUSTING PIN						1	
25		WT1780011KP		TOOTHED WASHER 18						2	
26		40033825		HEAD_FIXED_SHAFT						1	
27		D2629M1YCOF		SPRING	FOR LS-2-342S-7,LS-2342H-7					1	
28		26229302		SUSPENSION SCREW	FOR LS-2-342S-7,LS-2342H-7					1	
29		NM6050001SD		NUT M5X0.8	FOR LS-2-342S-7,LS-2342H-7					1	
30		40134959		FEED_ADJUSTING_PIN						1	
31		SL4040881SC		SCREW M4 L=8						2	
32		SM4050855SP		SCREW	FOR LS-2-342S-7,LS-2342H-7					1	
33		SM6051400SP		SCREW	FOR LS-2-342S-7,LS-2342H-7					1	
34		SM6051202TP		SCREW M5X0.8 L=12	FOR LS-2-342S-7,LS-2342H-7					1	

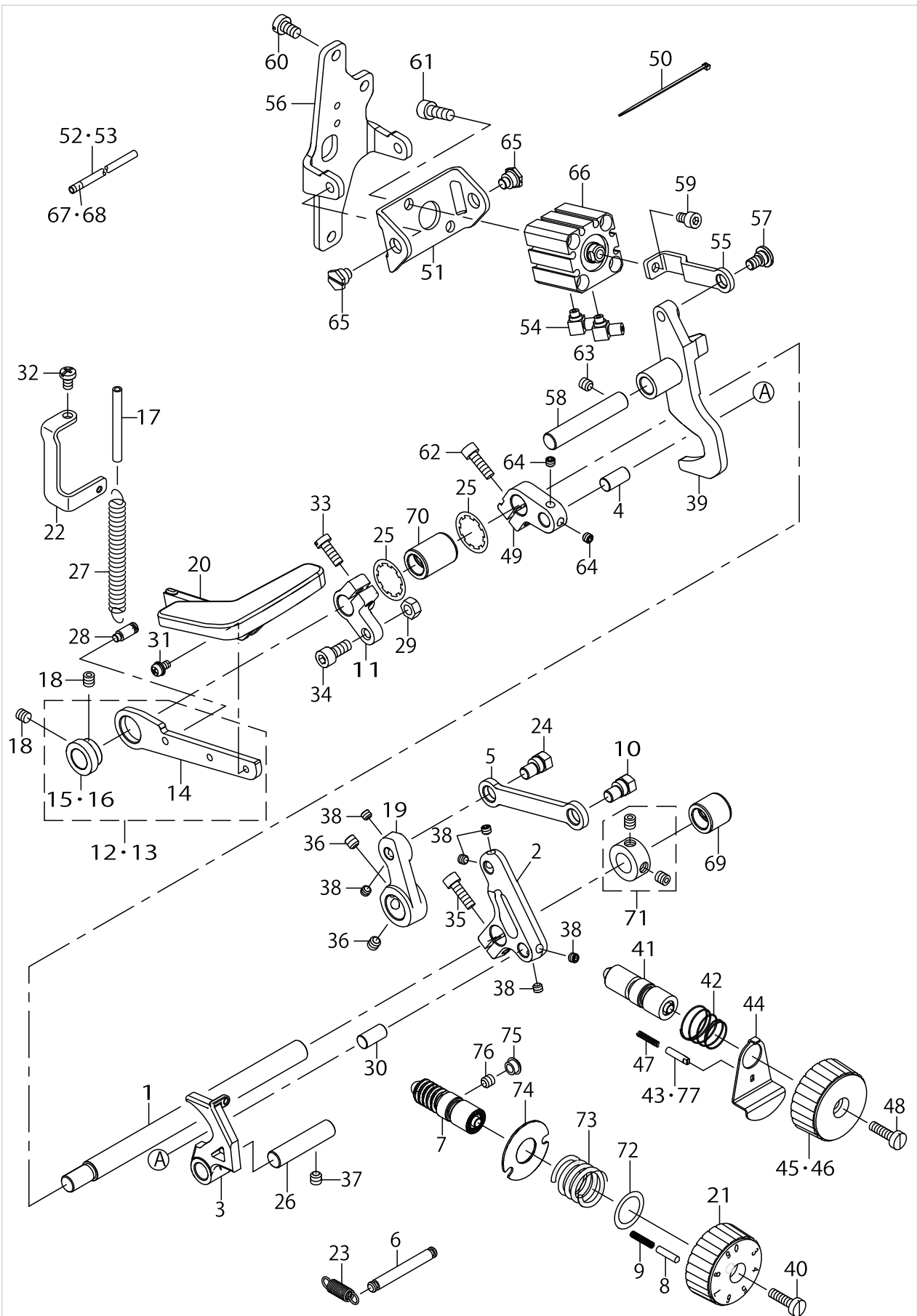
FEED ADJUST COMPONENTS



FEED ADJUST COMPONENTS

No.	Supply Code	Parts No.	Replacement	Parts name	Remarks	Choice	Step	Level	Cons	Qty	Rep. QTY
35		SM6051602TP		SCREW M5X0.8 L=16						1	
36		SM8060612TP		SCREW M6 L=6						2	
37		SM8060612TP		SCREW M6 L=6						1	
38		SM8050412TP		SCREW M5 L=4						6	
39		40125920		ADJUSTING_BASE_B	FOR LS-2-342S-7,LS-2342H-7					1	
40		SS6121860SP		SCREW 3/16-28 L=18						1	
41		40141842		FEED_REGULATOR_SCREW	FOR LS-2-342S-7,LS-2342H-7					2	
42		40141840		REGULATOR_STOPPER_SPRING	FOR LS-2-342S-7,LS-2342H-7					2	
43		40177396		FEED REGULATOR PIN	FOR LS-2-342S-7,LS-2342H-7					1	
44		40161441		REGULATOR_PIN_STOPPER	FOR LS-2-342S-7,LS-2342H-7					2	
45		40163505		FEED_DIAL(A) ASM.	FOR LS-2-342S-7,LS-2342H-7					1	
46		40163506		FEED_DIAL(B) ASM.	FOR LS-2-342S-7,LS-2342H-7					1	
47		22912109		FEED REGULATOR PIN SPRING	FOR LS-2-342S-7,LS-2342H-7					2	
48		SS6121860SP		SCREW 3/16-28 L=18	FOR LS-2-342S-7,LS-2342H-7					2	
49		40125858		FEED_ADJUSTING_PIN_HOLDER_B	FOR LS-2-342S-7,LS-2342H-7					1	
50		EA9500B0100		CABLE BAND	FOR LS-2-342S-7,LS-2342H-7					1	
51		40126642		CYLINDER_BASE_A	FOR LS-2-342S-7,LS-2342H-7					1	
52		BT0400251EB		URETHANE HOSE BLACK	FOR LS-2-342S-7,LS-2342H-7					.28	
53		BT0400251EB		URETHANE HOSE BLACK	FOR LS-2-342S-7,LS-2342H-7					.28	
54		PJ046052503		HOSE ELBOW	FOR LS-2-342S-7,LS-2342H-7					2	
55		40112267		CYLINDER_JOINT	FOR LS-2-342S-7,LS-2342H-7					1	
56		40126643		CYLINDER_BASE_B	FOR LS-2-342S-7,LS-2342H-7					1	
57		SD0800346TP		SHOULDER SCREW	FOR LS-2-342S-7,LS-2342H-7					1	
58		40077931		PRESSURE_LOWERING_SHAFT	FOR LS-2-342S-7,LS-2342H-7					1	
59		SM6050802TP		SCREW M5X0.8 L=8	FOR LS-2-342S-7,LS-2342H-7					1	
60		SM6061010TP		SCREW M6 L=10	FOR LS-2-342S-7,LS-2342H-7					3	
61		SM6061602TP		SCREW M6 L=16	FOR LS-2-342S-7,LS-2342H-7					2	
62		SM6051602TP		SCREW M5X0.8 L=16	FOR LS-2-342S-7,LS-2342H-7					1	
63		SM8060612TP		SCREW M6 L=6	FOR LS-2-342S-7,LS-2342H-7					1	
64		SM8050412TP		SCREW M5 L=4	FOR LS-2-342S-7,LS-2342H-7					2	
65		SD0900426TP		SHOULDER SCREW D=9 H=4.2	FOR LS-2-342S-7,LS-2342H-7					2	
66		PA200150900		AIR CYLINDER	FOR LS-2-342S-7,LS-2342H-7					1	
67		18035006		CABLE MARK NO.1	FOR LS-2-342S-7,LS-2342H-7					1	
68		18035105		WIRE MARK (2)	FOR LS-2-342S-7,LS-2342H-7					1	
69		40086018		BUSHING_MAIN_FEED						1	
70		13424502		BUSHING FRONT						1	

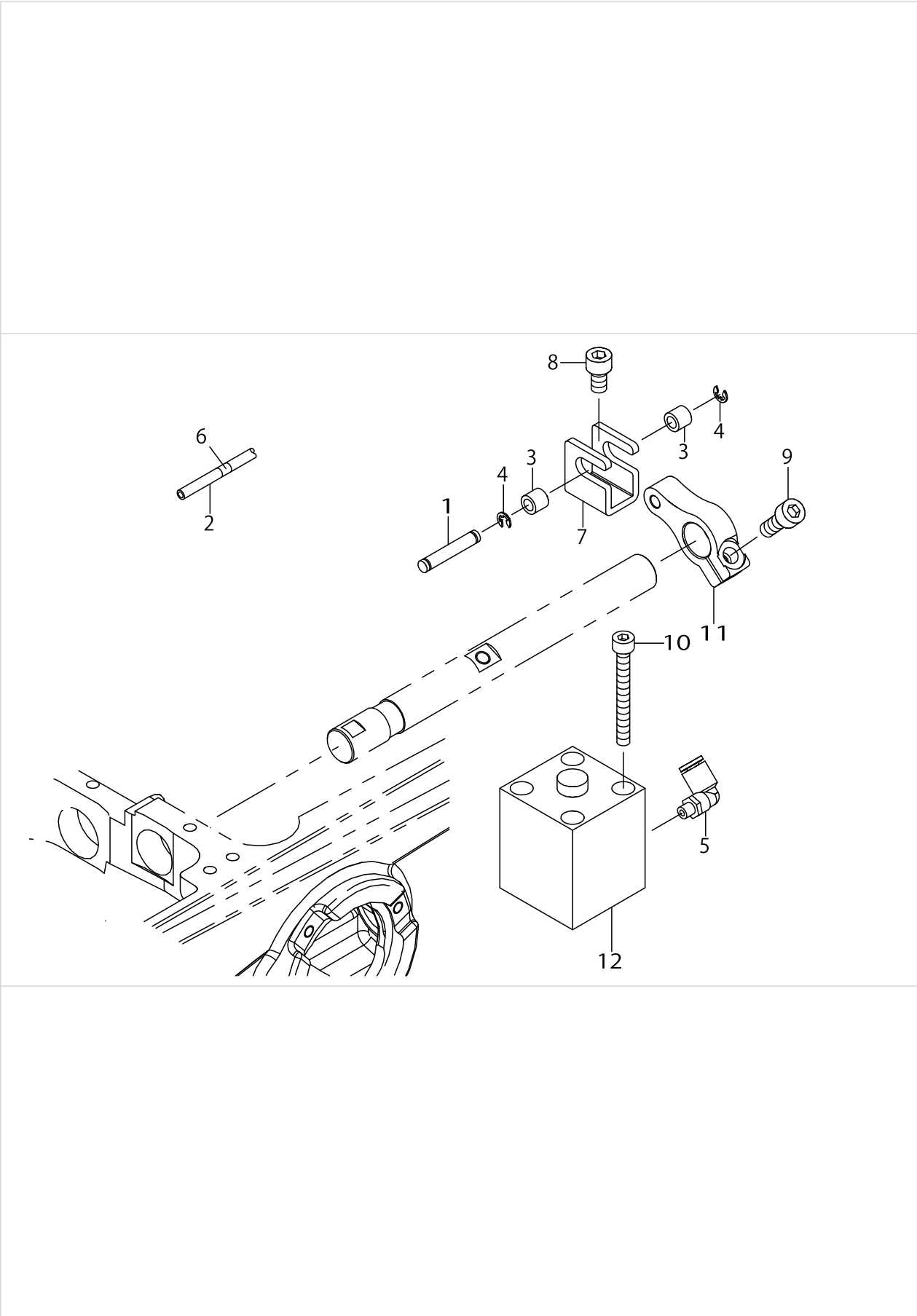
FEED ADJUST COMPONENTS



FEED ADJUST COMPONENTS

No.	Supply Code	Parts No.	Replacement	Parts name	Remarks	Choice	Step	Level	Cons	Qty	Rep. QTY
71		CS1201010SH		THRUST COLLAR ASM. D=12 W=10						1	
72		WP1751616SD		WASHER 17.5X24X1.6	FOR LS-2-342S,LS-2342H					1	
73		23534506		FEED DIAL SPRING	FOR LS-2-342S,LS-2342H					1	
74		40090101		FEED_DIAL_STOPPER_WASHER_B	FOR LS-2-342S,LS-2342H					1	
75		TA0750404R0		PLUG D=7.5 L=3.5						1	
76		SM8060612TP		SCREW M6 L=6						1	
77		40161440		FEED_REGULATOR_PIN	FOR LS-2-342S-7,LS-2342H-7					1	

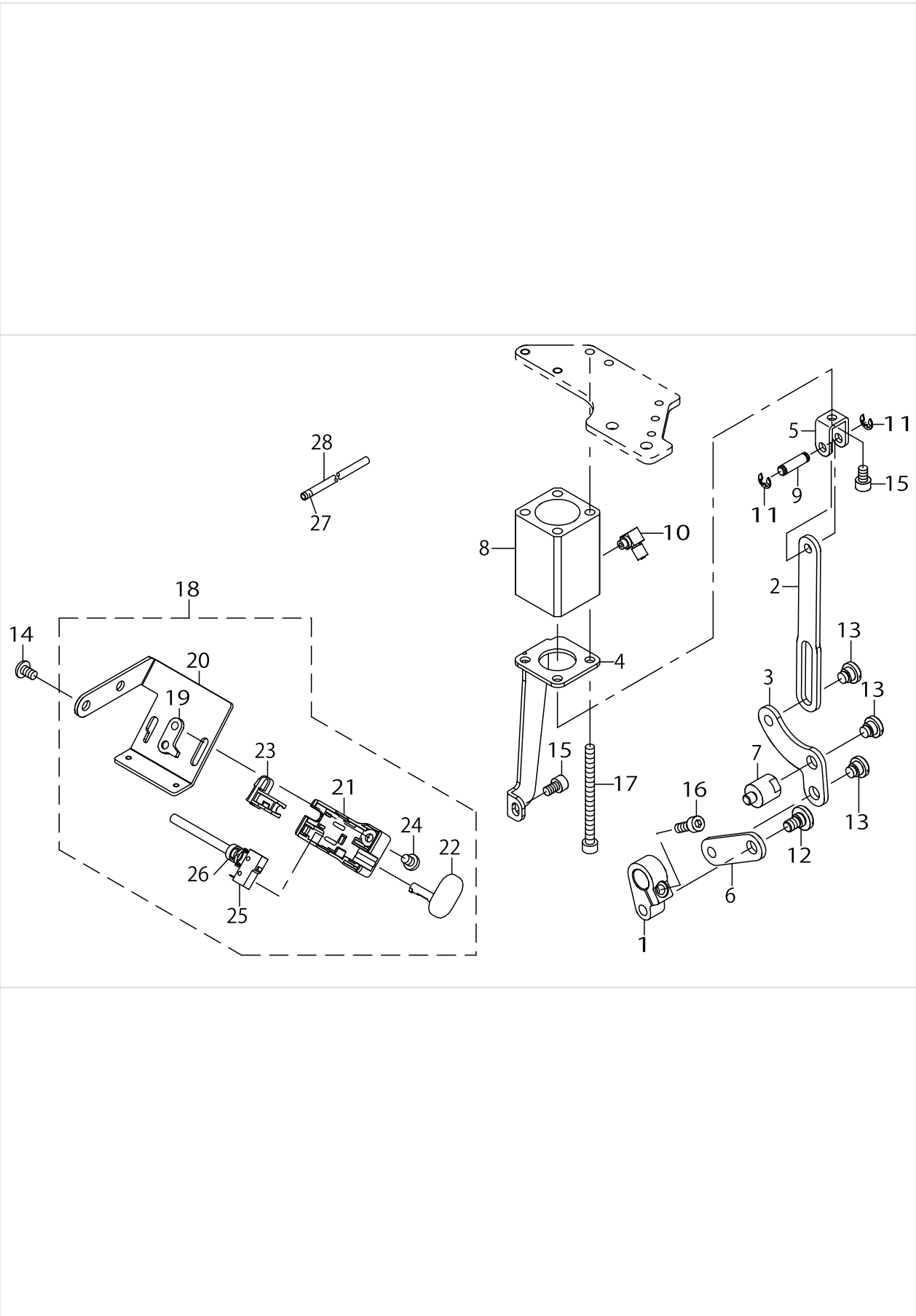
DL COMPONENTS (FOR LS-2342S-7,LS-2342H-7)



DL COMPONENTS (FOR LS-2342S-7,LS-2342H-7)

No.	Supply Code	Parts No.	Replacement	Parts name	Remarks	Choice	Step	Level	Cons	Qty	Rep. QTY
1		B1504210000		CONNECTING SHAFT						1	
2		BT0400251EB		URETHANE HOSE BLACK						.51	
3		B3031141H00		CONNECTING STUD						2	
4		RE0320000K0		E-RING 3.2						2	
5		PJ304040504		ELBOW UNION						1	
6		18035501		WIRE MARK (6)						1	
7		40112191		KNUCKLE_JOINT_B						1	
8		SM6061002TP		SCREW M6 L=10						1	
9		SM6061602TP		SCREW M6 L=16						1	
10		SM6054502TP		SCREW M5X0.8 L=45						2	
11		40112192		TERTICAL_CYLINDER_ARM						1	
12		PA250250900		AIR CYLINDER						1	

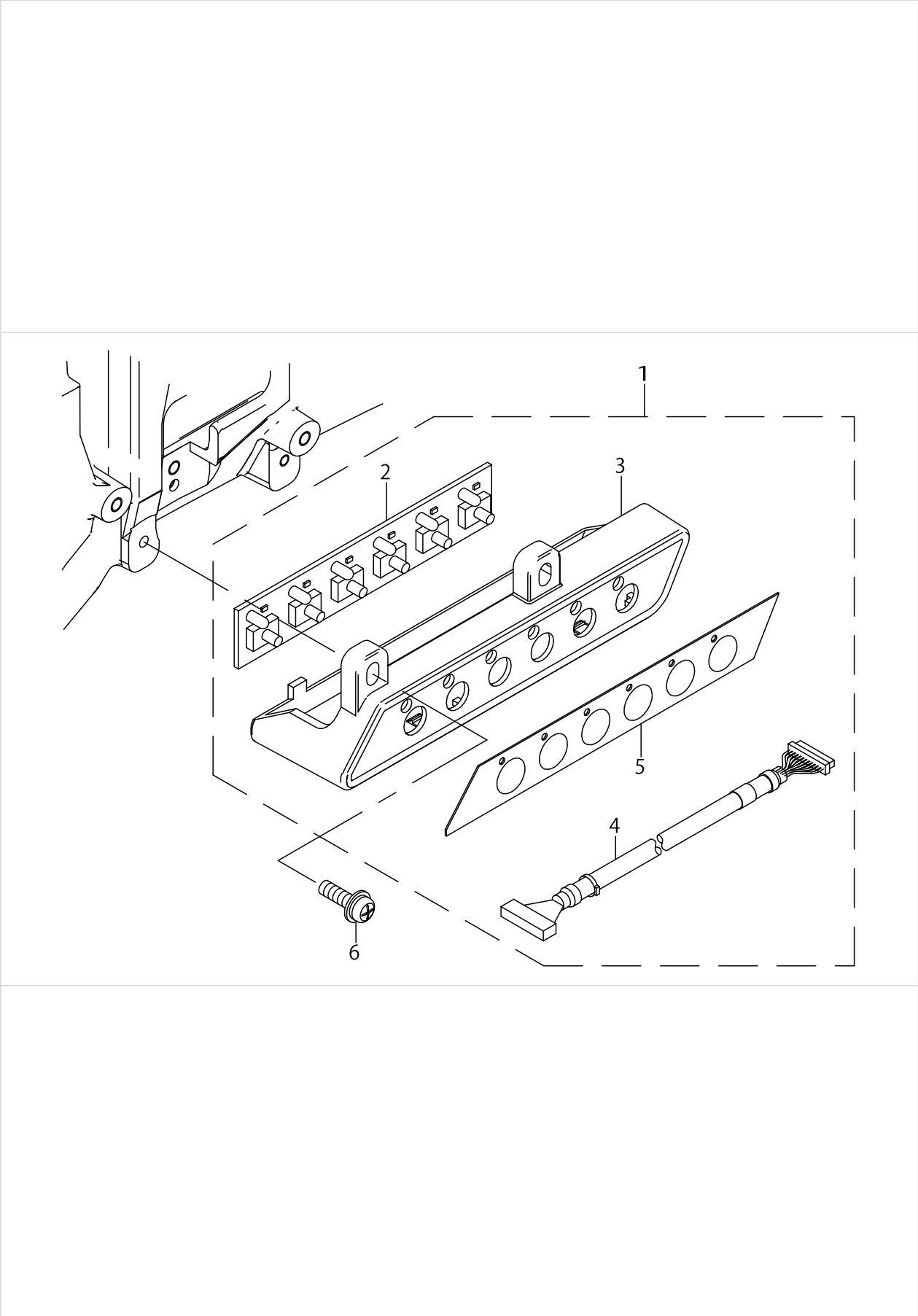
AUTO BT COMPONENTS (FOR LS-2342S-7,LS-2342H-7)



AUTO BT COMPONENTS (FOR LS-2342S-7,LS-2342H-7)

No.	Supply Code	Parts No.	Replacement	Parts name	Remarks	Choice	Step	Level	Cons	Qty	Rep. QTY
1		40112136		BT_ARM						1	
2		40112137		LINK_A						1	
3		40112138		LINK_B						1	
4		40112140		CYLINDER_STAY						1	
5		40112149		CYLINDER_KNUCKLE						1	
6		40112150		LINK_C						1	
7		40112151		BT_LINK_STUD						1	
8		PA200350300		AIR CYLINDER						1	
9		D2464555B00		LINK DRIVING MAGNET PIN						1	
10		PJ046052503		HOSE ELBOW						1	
11		RE0400000K0		E-RING 4						2	
12		SD0800321TH		HINGE SCREW D=8 H=3.2						1	
13		SD0800341SP		HINGE SCREW D=8 H=3.4						3	
14		SM4050855SP		SCREW						2	
15		SM6050802TP		SCREW M5X0.8 L=8						2	
16		SM6051402TP		SCREW M5X0.8 L=14						1	
17		SM6056552TP		SCREW						3	
18		40130285		TB_SWITCH_ASSY						1	
19		23632102		REVERSE FEED SWITCH BASE GUIDE				*		1	
20		40112213		TB_SW_MOUNTING_PLATE				*		1	
21		23631708		REVERSE FEED SWITCH COVER				*		1	
22		23631807		REVERSE FEED SWITCH SHAFT				*		1	
23		23631906		REVERSE FEED SWITCH SUPPORT				*		1	
24		SS7110740TP		SCREW 11/64-40 L=7				*		1	
25		40130286		REVERSE FEED CORD ASM				*		1	
26		EA9500B0100		CABLE BAND				*		1	
27		18035709		WIRE MARK (8)						1	
28		BT0400251EB		URETHANE HOSE BLACK						.19	

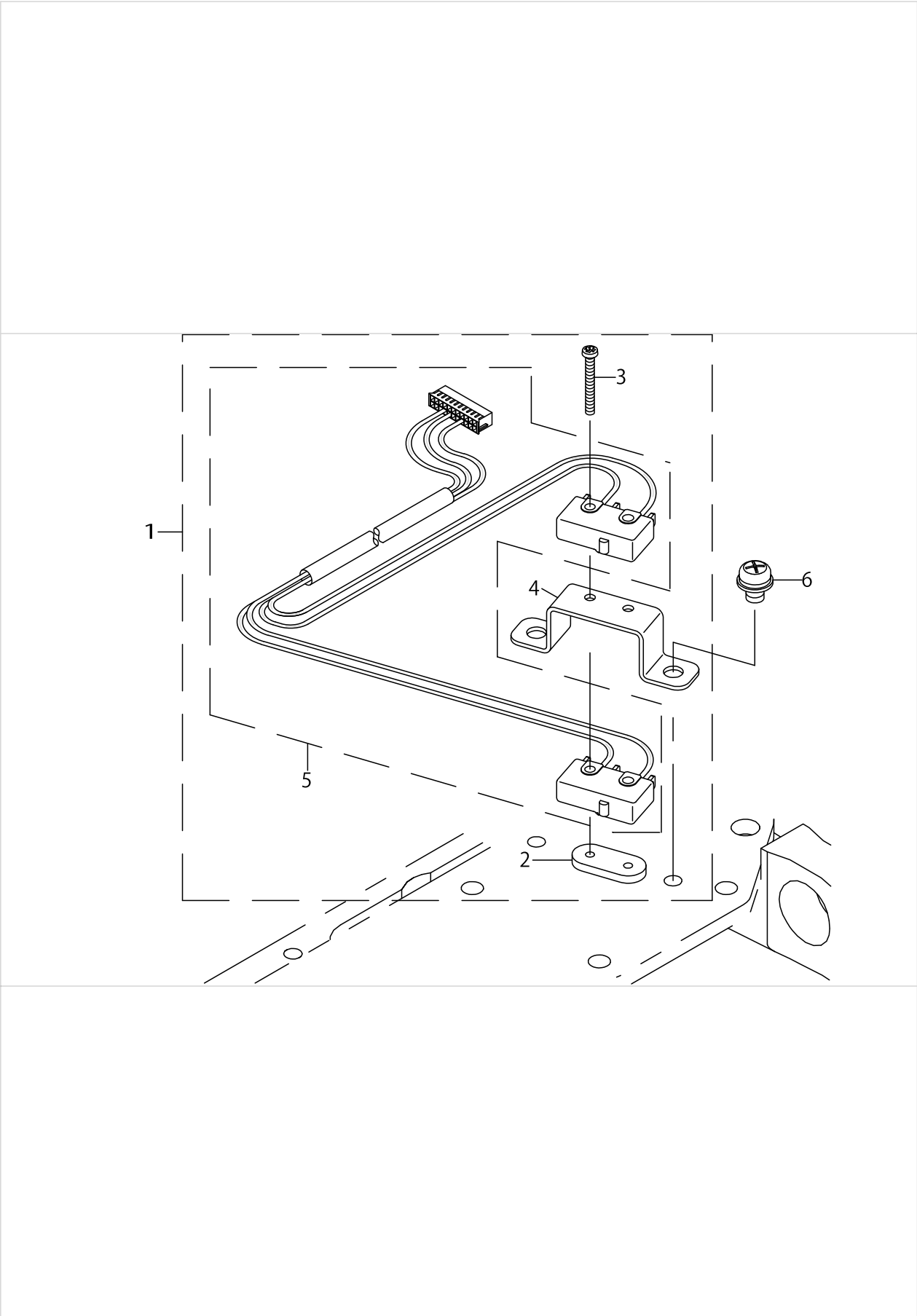
6-RANGE SW COMPONENTS



6-RANGE SW COMPONENTS

No.	Supply Code	Parts No.	Replacement	Parts name	Remarks	Choice	Step	Level	Cons	Qty	Rep. QTY
1		40130287		6RANGE SWITCH ASM.						1	
2		40105510		6RANGE SWITCH PCB ASSY				*		1	
3	R	40112215	40105508	6RANGE_SWITCH_COVER		A	LU2800	*		1	1.00
3	R	40112215	40130287	6RANGE_SWITCH_COVER		B	PLC2700	*		1	1.00
4		40130288		6RANGE SWITCH CABLE ASM.				*		1	
5		40112216		PANEL SHEET				*		1	
6		SL4041491SC		SCREW 4X14						2	

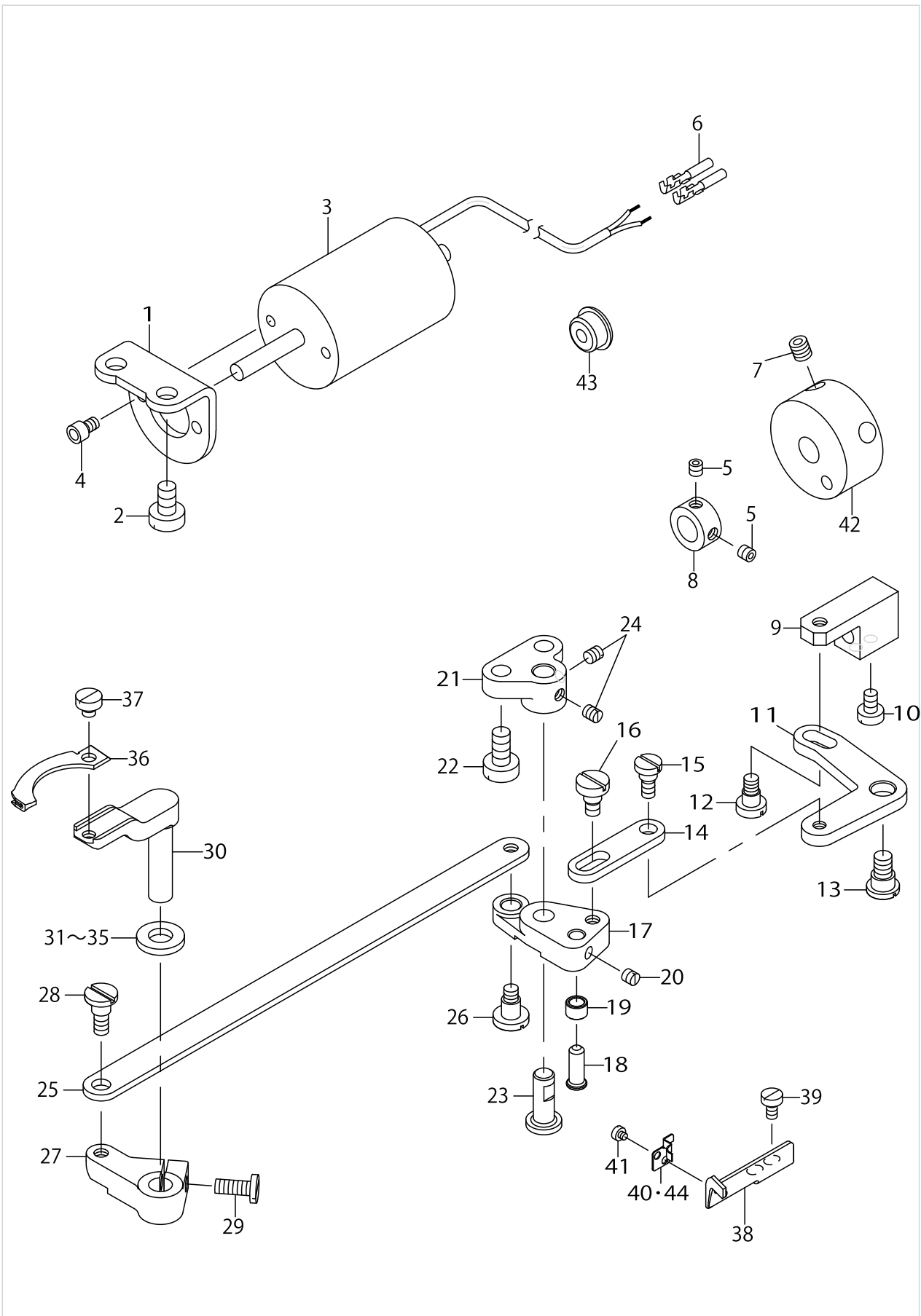
SPEED ADJUST COMPONENTS



SPEED ADJUST COMPONENTS

No.	Supply Code	Parts No.	Replacement	Parts name	Remarks	Choice	Step	Level	Cons	Qty	Rep. QTY
1		40130289		VERTICAL_DETECT- OR_SWITCH_ASM.						1	
2	R	23638406	23638059	SAFETY SWITCH NUT				*		1	1.00
3	D	SM4021601SN		SCREW M2 L=16				*		2	
4		40126259		SENSOR_BRACKET				*		1	
5	R	40130290	40130289	SPEED CONTROL CORD ASM				*		1	1.00
6		SL4040691SC		SCREW M4 L=6						2	

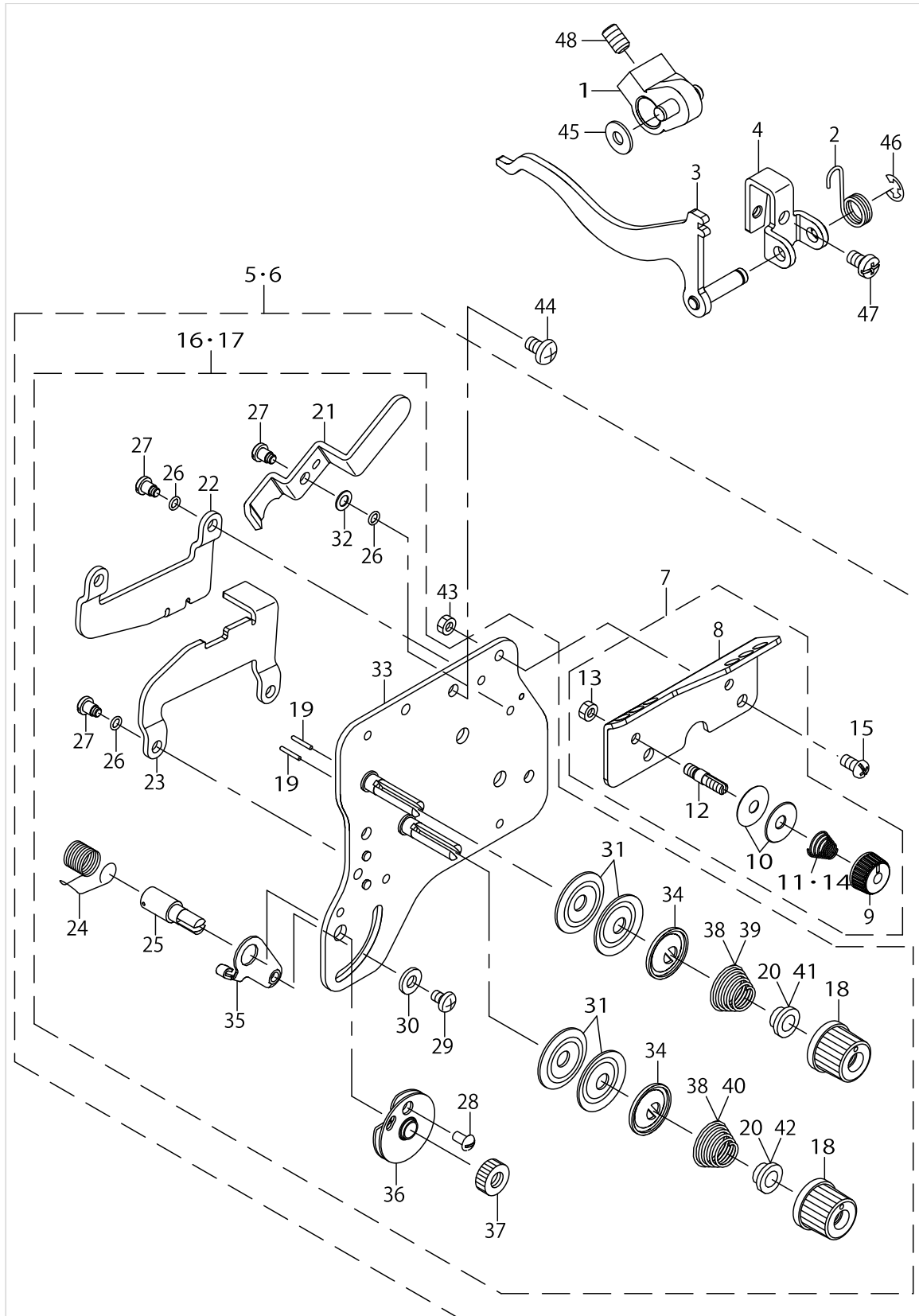
THREAD TRIMMER COMPONENTS (FOR LS-2342S-7,LS-2342H-7)



THREAD TRIMMER COMPONENTS (FOR LS-2342S-7,LS-2342H-7)

No.	Supply Code	Parts No.	Replacement	Parts name	Remarks	Choice	Step	Level	Cons	Qty	Rep. QTY
1		21439005		SOLENOID FITTING PLATE						1	
2		SS6151040SP		SCREW15/64-28L=10						2	
3		23104201		THREAD CUTTING SOLENOID						1	
4		SM6040602TP		SCREW M4 L=6						2	
5		SS8110422TP		SCREW 11/64-40 L=4						2	
6		HK03464000B		PIN CONTACT						2	
7		SS8660612TP		SCREW 1/4-40 L=6						2	
8	R	CS0950816SH	CS0950810SH	THRUST COLLAR D=9.5 W=8						1	1.00
9		21439104		THREAD TRIMMER SOLENOID ARM						1	
10		SS6110710TP		SCREW 11/64-40 L=6.5						2	
11		21439203		THREAD TRIMMER SOLENOID LINK						1	
12		SD0600452TP		HINGE SCREW D=6 H=4.5						1	
13		SD0790451SP		HINGE SCREW D=7.94 H=4.5						1	
14		21439302		SOLENOID CONNECTING LINK						1	
15		SD0600352SP		HINGE SCREW						1	
16		SD0600321SP		HINGE SCREW D=6 H=3.2						1	
17		21439401		FOLLOWER ARM						1	
18		21439500		CAM ROLLER SHAFT						1	
19		21440508		THREAD TRIMMER CAM ROLLER						1	
20		SS8110410TP		SCREW 11/64-40 L=3.5						1	
21		21439609		FOLLOWER BASE						1	
22		SS6151210SP		SCREW15/64-28L=12						2	
23		21439708		FOLLOWER SHAFT						1	
24		SS8110422TP		SCREW 11/64-40 L=4						2	
25		40159451		THREAD TRIMMER LINK						1	
26		SD0640631TP		HINGE SCREW D=6.35 H=6.3						1	
27		21439906		MOVING KNIFE ARM						1	
28		B2415373N00		FUL CULUM SHAFT						1	
29		SS6121210SP		SCREW 3/16-28 L=12						1	
30		21440003		MOVING KNIFE BASE						1	
31		B185351200AA		HOOK SHAFT WASHER A	SELECTIVE PARTS					1	
32		B185351200BA		HOOK SHAFT WASHER B	SELECTIVE PARTS					1	
33		B185351200CA		HOOK SHAFT WASHER C						1	
34		B185351200D		HOOK SHAFT WASHER	SELECTIVE PARTS					1	
35		B185351200E		HOOK SHAFT WASHER	SELECTIVE PARTS					1	
36		21440607		MOVING KNIFE						1	
37		SS6110480SP		SCREW 11/64-40 L=4.3						1	
38		21440102		FIXING KNIFE						1	
39		SS6090620TP		SCREW						2	
40		21440201		CLAMP PLATE	FOR LS-2342S-7					1	
41		SS6060220SP		SCREW 3/32-56 L=2.0						2	
42		21440300		THREAD TRIMMER CAM						1	
43		10622009		COAD BUSH						1	
44		40165483		CLAMP PLATE	FOR LS-2342H-7					1	

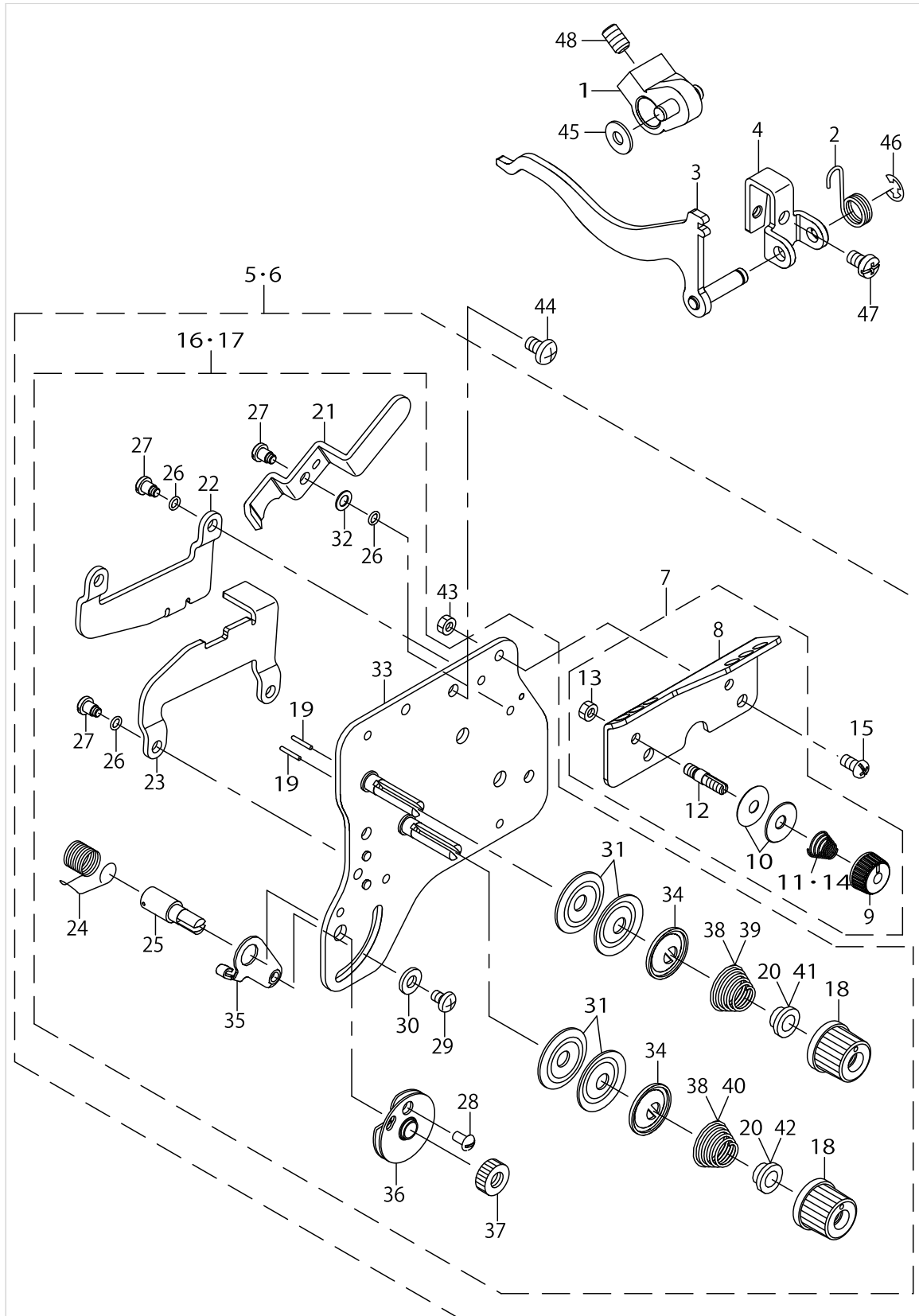
THREAD TENSION COMPONENTS



THREAD TENSION COMPONENTS

No.	Supply Code	Parts No.	Replacement	Parts name	Remarks	Choice	Step	Level	Cons	Qty	Rep. QTY
1		22912257		FEED REVERSE ARM ASM.						1	
2		22954309		REVERSE FEED SWITCH SPRING						1	
3		40126265		DISK_RELEASE_LINK_ASM.						1	
4		40125873		DISK_RELEASE_LINK_BASE						1	
5		40155956		THREAD_TENSION_ASSY_2810	FOR LS-2-342S,LS-2342S-7					1	
6		40176347		THREAD_TENSION_ASSY_2710	FOR LS-2-342H,LS-2342H-7					1	
7		40155958		THREAD_GUIDE_PLATE_ASM_2810				*		1	
8		40155960		THREAD_GUIDE_PLATE				*		1	
9		22945703		THREAD TENSION NUT				*		1	
10		22945802		THREAD TENSION DISK				*		2	
11	R	22963409	22963458	THREAD TENSION SPRING				*	☆	1	1.00
12		40155994		TEREAD_TENSION_POST_A				*		1	
13		NS6110310SP		NUT 11/64-40				*		1	
14		22945505		THREAD TENSION SPRING	FOR LS-2-342S-7, LS-2342H-7(-OPTIONAL PARTS)			*		1	
15		SS4110815SP		SCREW 11/64-40 L=8				*		2	
16		40161459		THREAD_TENSION_PLATE_ASM_2810	FOR LS-2-342S,LS-2342S-7			*		1	
17		40176349		ASSY_TENSION_BASE_PLATE_2710	FOR LS-2-342H,LS-2342H-7			*		1	
18		13817408		THREAD TENSION NUT				*		2	
19		22618201		TENSION RELEASE PIN A				*		2	
20		B3112704000		TENSION SPRING BUSHING	FOR LS-2-342S,LS-2342S-7			*		2	
21		40112204		TENSION_RELEASE_LEVER				*		1	
22		40112218		DISK_RELEASE_PLATE_A				*		1	
23		40112219		DISK_RELEASE_PLATE_B				*		1	
24		22618706		THREAD TAKE-UP SPRING A				*	☆	1	
25		10320109		SCREW STUD				*		1	
26		RO037180100		RUBBER RING				*		5	
27		SD0450401SP		HINGE SCREW D=4.5 H=4				*		5	
28		SS3090710TP		SCREW 9/64-40 L=7				*		1	
29		SS4110615SP		SCREW 11/64-40 L=6				*		1	
30		WP0501016SD		WASHER 5X10.5X1				*		1	
31		22921506		THREAD TENSION DISK				*		4	
32		WP0460556SD		WASHER 4.6X7.5X0.5				*		1	
33		40126404		ASSY_TENSION_BASE_PLATE_2810				*		1	
34		40126724		TENSION_DISC HOLDER				*		2	
35		10697506		THREAD TENSION BRACKET A				*		1	
36		B31375270A0		TAKE-UP SPRING GUIDE ASM.				*		1	
37	R	22617807	22928808	NUT				*		1	1.00
38		12938304		TENSION SPRING	FOR LS-2-342S,LS-2342S-7			*	☆	2	
39		12938304		TENSION SPRING	FOR LS-2-342H,LS-2342H-7			*	☆	1	
40		B3129053000		TENSION SPRING	FOR LS-2-342H,LS-2342H-7			*	☆	1	
41		B3112704000		TENSION SPRING BUSHING	FOR LS-2-342H,LS-2342H-7			*		1	

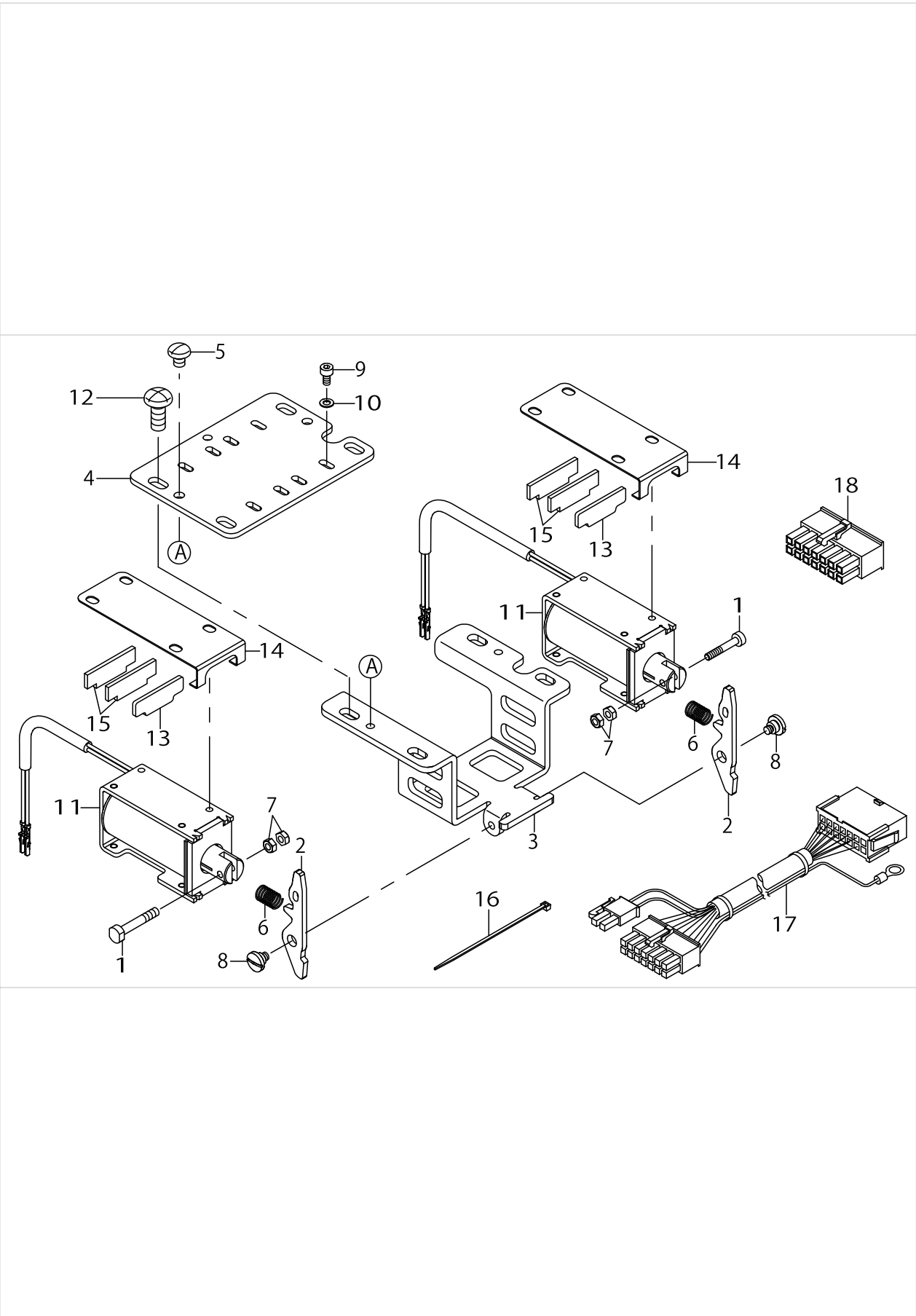
THREAD TENSION COMPONENTS



THREAD TENSION COMPONENTS

No.	Supply Code	Parts No.	Replacement	Parts name	Remarks	Choice	Step	Level	Cons	Qty	Rep. QTY
42		22921407		ROTATION STOPPER	FOR LS-2-342H,LS-2342H-7			*		1	
43		NS6110310SP		HEXAGONAL NUT 11/64-40				*		2	
44		SM4051001SN		SCREW M5						3	
45		22528509		FELT						1	
46		RE0500000K0		E-RING						1	
47		SM4050855SP		SCREW						1	
48		SS8661012TP		SCREW						1	

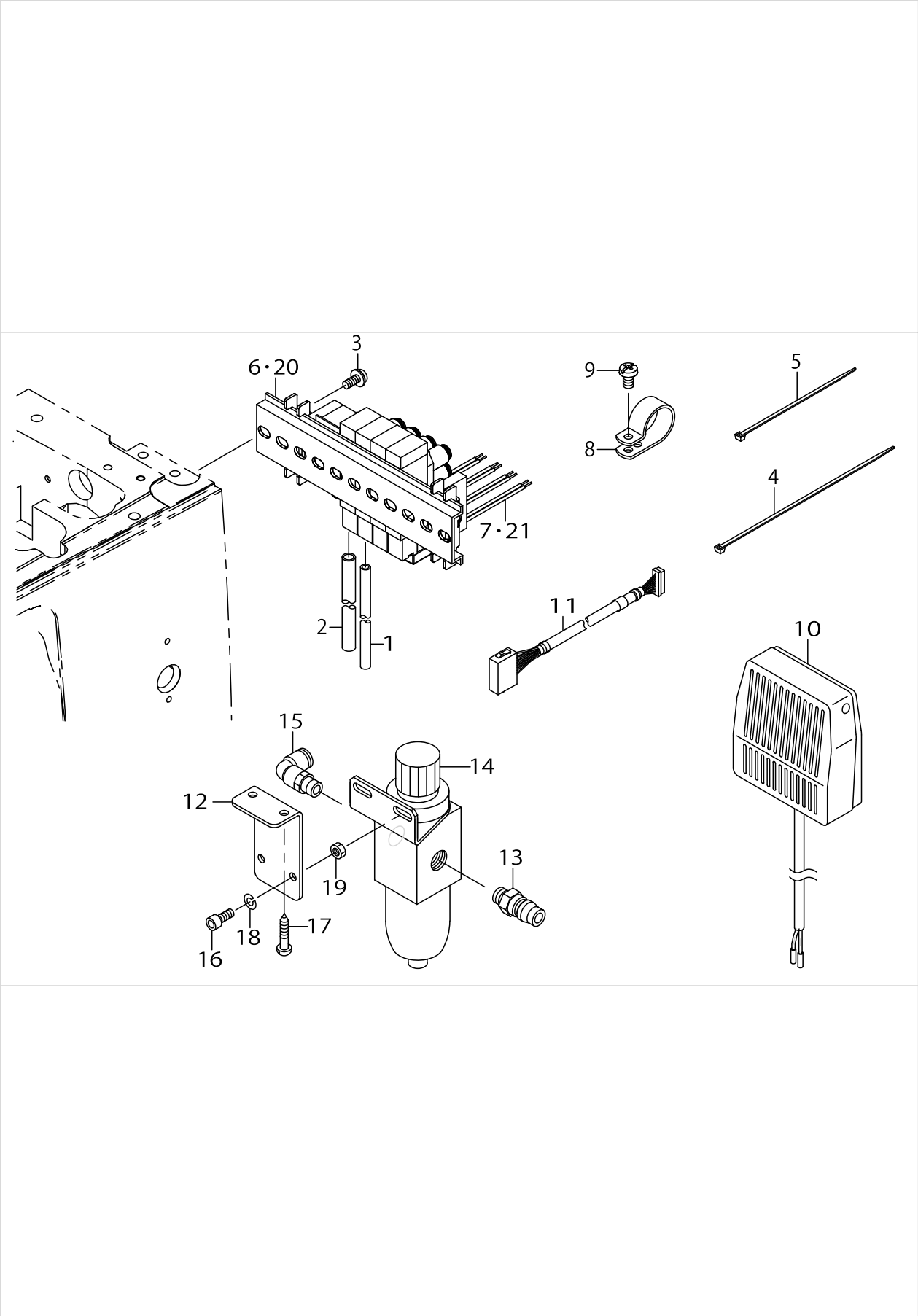
TENSION RELEASE COMPONENTS



TENSION RELEASE COMPONENTS

No.	Supply Code	Parts No.	Replacement	Parts name	Remarks	Choice	Step	Level	Cons	Qty	Rep. QTY
1		40139345		PLUNGER_LINK_PIN						2	
2		40125948		RELEASE_SOLENOID_LINK						2	
3		40126263		SOLENOID_LINK_MOUNTING_PLATE						1	
4		40125949		RELEASE_SOLENOID_BASE						1	
5		SS4090515SP		SCREW 9/64-40 L=5						2	
6		32055501		AT (UPPER) SPRING						2	
7		NM6030001SC		NUT M3X0.5 TYPE1						4	
8		SD0550271TP		HINGE SCREW D=5.50 H=2.7						2	
9		SM6030602TP		SCREW M3X0.5 L=6						8	
10	R	WP0320501SE	WP0320501SC	WASHER 3.2X7.0X0.5						8	1.00
11		40130291		TENSION_RELEASE_SOLENOID						2	
12		SM4051255SP		SCREW M5 L=12						4	
13		40126563		STOPPER_PLATE						2	
14		40126562		RUBBER HOLDER						2	
15		40086679		WIPER_STOPPER_RUBBER						4	
16		EA9500B0100		CABLE BAND						1	
17		40139455		SOLENOID RELAY CABLE ASM.						1	
18		HK034610140		HOUSING 14P	FOR LS-2-342S,LS-2342H					1	

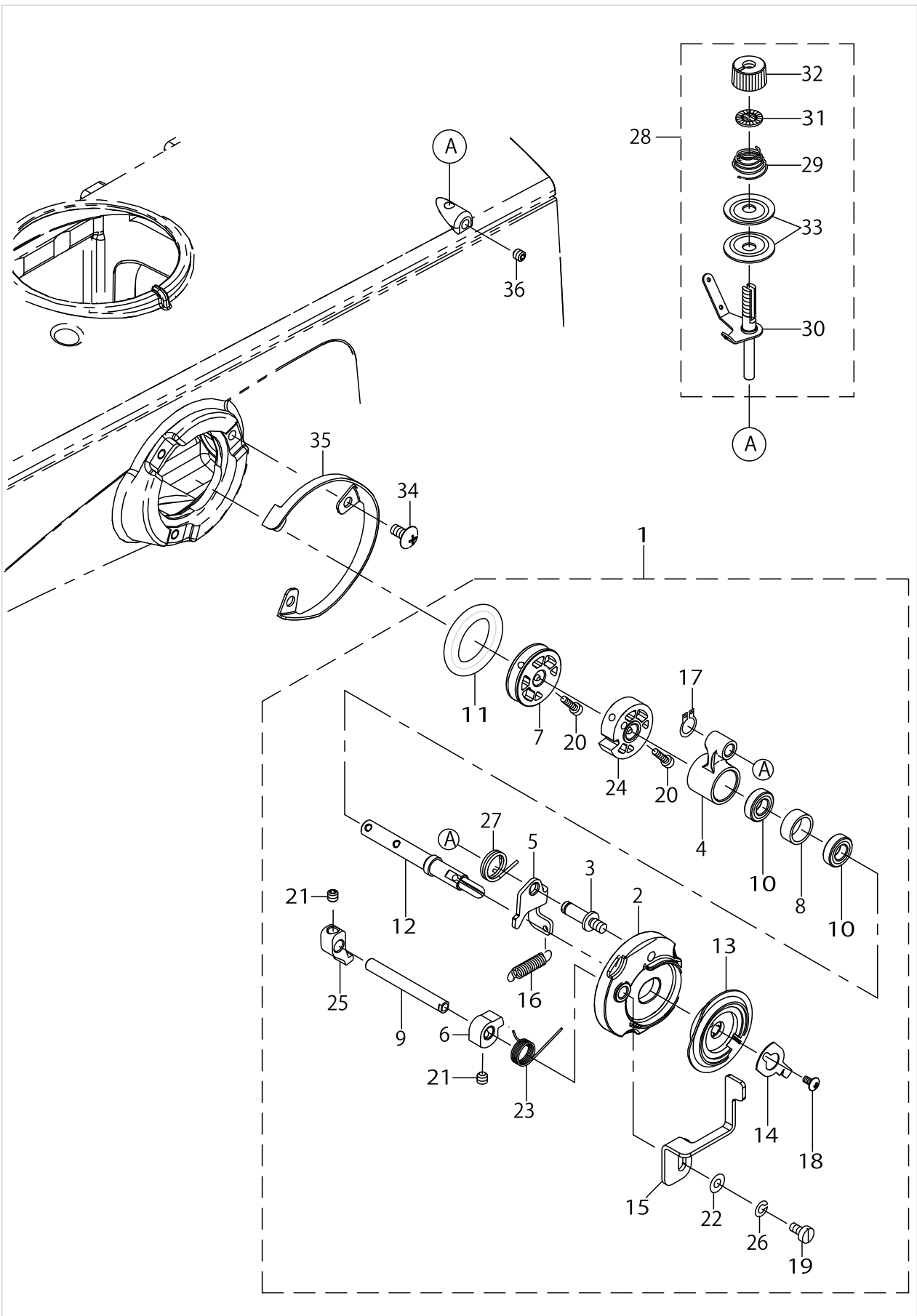
PNEUMATIC COMPONENTS



PNEUMATIC COMPONENTS

No.	Supply Code	Parts No.	Replacement	Parts name	Remarks	Choice	Step	Level	Cons	Qty	Rep. QTY
1		BT0600401EB		TUBE						1.1	
2		BT0800501EB		VINYL TUBE						1.1	
3		SL4041091SC		SCREW M4 L=10						2	
4		EA9500B0200		CABLE BAND 150						2	
5		EA9500B0100		CABLE BAND						3	
6		40133982		SOLENOID_VALVE_ASM	FOR LS-2-342S,LS-2342H					1	
7		40133983		SOLENOID VALVE CABLE ASM	FOR LS-2-342S,LS-2342H					1	
8		HX00150000M		CABLE CLIP						2	
9		SM4050855SP		SCREW						2	
10		40143553		KNEE SW ASM.	FOR LS-2-342S-7,LS-2342H-7					1	
11		40126127		AIR VALVE RELAY CABLE ASM.						1	
12		13860408		REGULATOR BRACKET						1	
13		PJ025100003		PLUG						1	
14		PF055107000		FILTER REGULATOR						1	
15		PJ304065101		ELBOW UNION 6XPT1/8						1	
16		SM6051202TP		SCREW M5X0.8 L=12						2	
17		SK3482001SE		WOOD SCREW D=4.8 L=20						2	
18		WS0510002KN		SPRING WASHER M5						2	
19		NM6050001SP		NUT M5						2	
20		40126545		SOLENOID_VALVE_ASSY	FOR LS-2-342S-7,LS-2342H-7					1	
21		40126128		SOLENOID VALVE CABLE ASM	FOR LS-2-342S-7,LS-2342H-7					1	

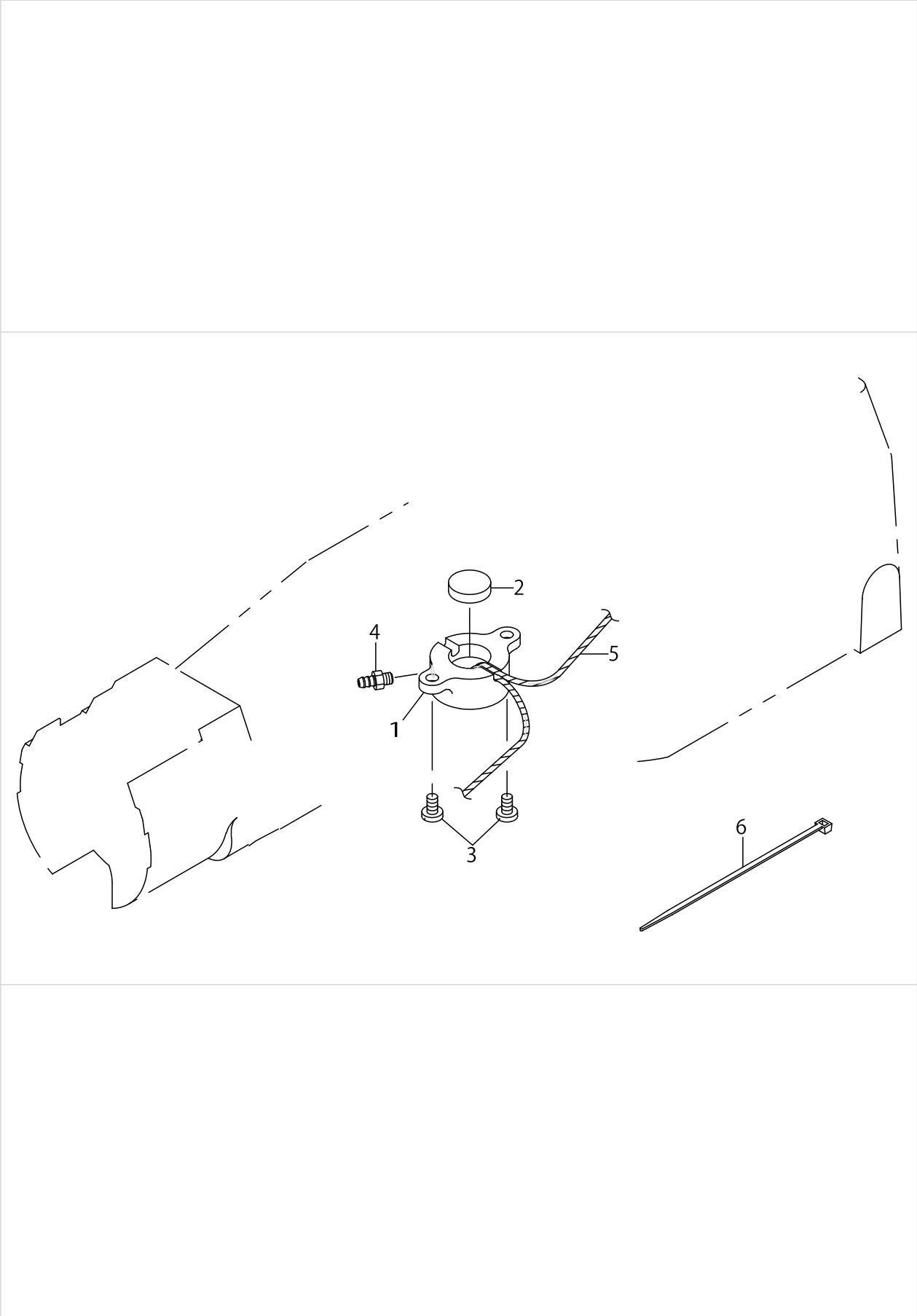
BOBBIN WINDER COMPONENTS



BOBBIN WINDER COMPONENTS

No.	Supply Code	Parts No.	Replacement	Parts name	Remarks	Choice	Step	Level	Cons	Qty	Rep. QTY
1		40126355		BOBBIN_WINDER_UNIT						1	
2	R	26260109	26260000	BTW_BASE				*		1	1.00
3		26260307		BTW_BASE_SHAFT				*		1	
4		26260406		BTW_SHAFT_BASE				*		1	
5		40126594		BTW_CAM_PLATE				*		1	
6		26260505		BTW_CAM_LEVER				*		1	
7		40125851		WINDER_WHEEL				*		1	
8	R	26260802	26260000	BTW_BEARING_SPACER				*		1	1.00
9		26261008		BTW_LEVER_SHAFT				*		1	
10		40126354		WINDER_BEARING				*		2	
11		26261503		BTW_WHEEL_RUBBER				*	☆	1	
12		40126550		BOBBIN_SHAFT				*		1	
13		40125927		BOBBIN_BASE				*		1	
14		40126311		WINDER_CUTTER				*		1	
15		40151791		BOBBIN_LEVER				*		1	
16		13718507		SPRING				*		1	
17		RC0560711KP		RETAINING RING				*		1	
18		SM0030601SC		SCREW M3X0.5 L=6				*		1	
19		SM6040860TP		SCREW M4 L=8				*		1	
20		SM6031202TP		SCREW M3X0.5 L=12				*		2	
21		SM8050502TP		SCREW M5 L=5				*		2	
22		WP0450801SP		WASHER				*		1	
23		40126549		HELICAL_TORSION_COIL_SPRING				*		1	
24		40125928		WINDER_LATCH_CAM				*		1	
25		40125844		WINDER_LATCH_B				*		1	
26		WS0451040KP		SPRING WASHER 4.5X8.5X1				*		1	
27		40011144		BTW_TORSION_SPRING				*		1	
28		40088958		BOBBIN_THREAD_TENSION_ASM.						1	
29		22921704		THREAD_TENSION_SPRING_A				*	☆	1	
30		40088959		BOBBIN_THREAD_TENSION_ROD_ASM.				*		1	
31		22921407		ROTATION_STOPPER				*		1	
32		22921308		THREAD_TENSION_NUT				*		1	
33		22921506		THREAD_TENSION_DISK				*		2	
34		SM0051001SC		SCREW						3	
35		40152022		BTW_GUARD						1	
36		SM8051002TP		SCREW M5 L=10						1	

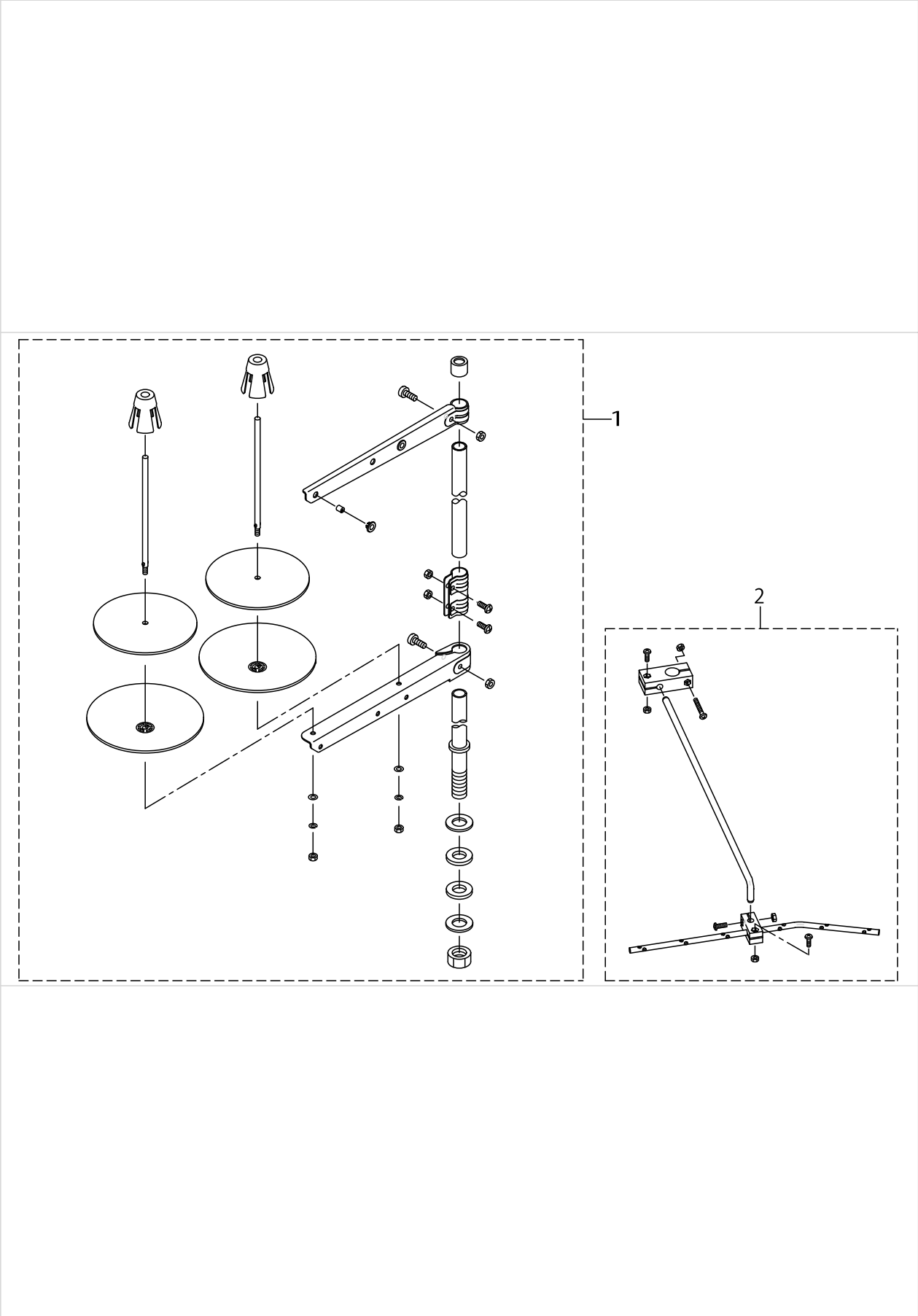
LUBRICATION COMPONENTS



LUBRICATION COMPONENTS

No.	Supply Code	Parts No.	Replacement	Parts name	Remarks	Choice	Step	Level	Cons	Qty	Rep. QTY
1		21433800		OIL TANK						1	
2		B1203051000		OIL FELT						1	
3		SS7110710SP		SCREW 11/64-40 L=7						2	
4		SQ1110401MZ		CONNECTING SCREW						1	
5		CQ202000000		OIL WICK						.4	
6		EA9500B0100		CABLE BAND						1	

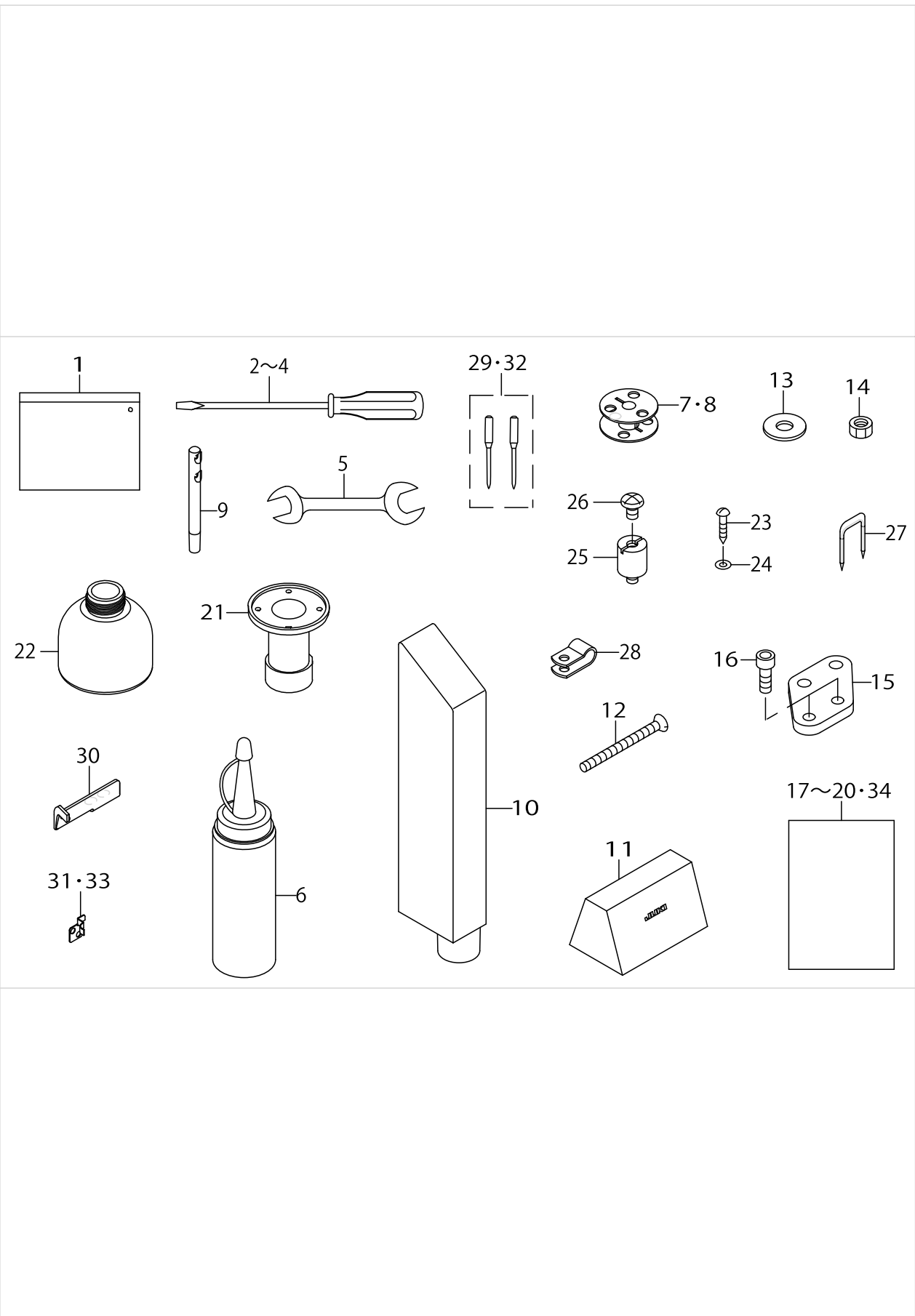
THREAD STAND COMPONENTS



THREAD STAND COMPONENTS

No.	Supply Code	Parts No.	Replacement	Parts name	Remarks	Choice	Step	Level	Cons	Qty	Rep. QTY
1		40096354		THREAD STAND ASM.						1	
2		26910059		THREAD GUIDE ARM ASM.						1	

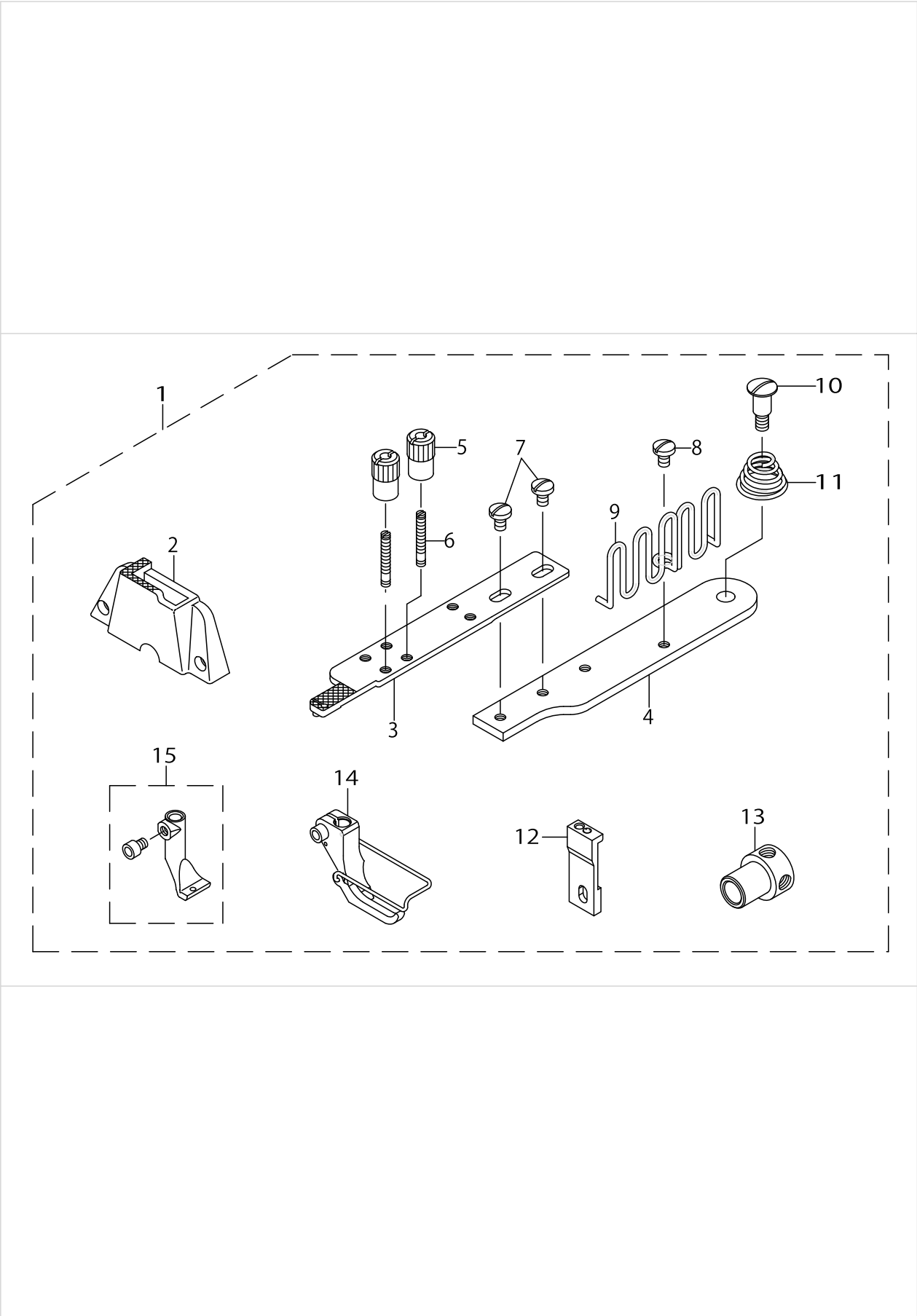
ACCESSORIES PARTS COMPONENTS



ACCESSORIES PARTS COMPONENTS

No.	Supply Code	Parts No.	Replacement	Parts name	Remarks	Choice	Step	Level	Cons	Qty	Rep. QTY
1	R	B9101552000	22932800	ACCESSORY BOX						1	1.00
2		22933006		SCREW DRIVER LARGE						1	
3		22933105		SCREW DRIVER MIDDLE						1	
4		22933204		SCREW DRIVER SMALL						1	
5		B9113012000		WRENCH (9X10)						1	
6		B91212200A0		OILER (CONTAINING NO.2 OIL)						1	
7		10759603		ALUMINUM BOBBIN (DOUBLE-CUT)	FOR LS-2-342S-7,LS-2342H-7					1	
8		B9117201000		BOBBIN	FOR LS-2-342S,LS-2342H					1	
9		22958300		NEEDLE THREAD GUIDE PIN						1	
10		10528800		FRAME SUPPORT BAR						1	
11		40027770		VINYL COVER						1	
12		B9130245000		BOLT						4	
13		WP0751576SD		WASHER 7.5X19X1.5						4	
14		NM6060001SD		NUT M6						8	
15		40112214		EDGE_GUIDE_FITTING_PLATE						1	
16		SM6051402TP		SCREW M5X0.8 L=14						2	
17		CM600100201		WEEE INFORMATION SHEET	FOR EUROPE					1	
18		40160164		INSTRUCTION_MANUAL	FOR EUROPE					1	
19		40169769		DECLARATION OF INCORPORATION (LS2300)	FOR EUROPE					1	
20		40160165		PARTS_LIST						1	
21		B8202205000		OIL MANAGEMENT						1	
22		40025300		OIL POT						1	
23		SK3241601SC		WOOD SCREW D=2.4 L=16						4	
24		WP0320501SC		WASHER M3						4	
25		40126222		CP_SPACER						2	
26		SM4050855SP		SCREW						2	
27	D	MA011532000		STAPLE						3	
28		HX00150000B		CABLE CLIP						2	
29	R	MC321001402	MC321001400	NEEDLE 134-35 #140-2	FOR LS-2-342S,LS-2342S-7					1	1.00
30		21440102		FIXING KNIFE	FOR LS-2-342S-7,LS-2342H-7					1	
31		21440201		CLAMP PLATE	FOR LS-2342S-7					1	
32	R	MC321001802	MC321001800	NEEDLE 134-35 #180-2	FOR LS-2-342H,LS-2342H-7					1	1.00
33		40165483		CLAMP PLATE	FOR LS-2342H-7					1	
34		40171350		INSTRUCTION_MANUAL	EXCEPT EUROPE					1	

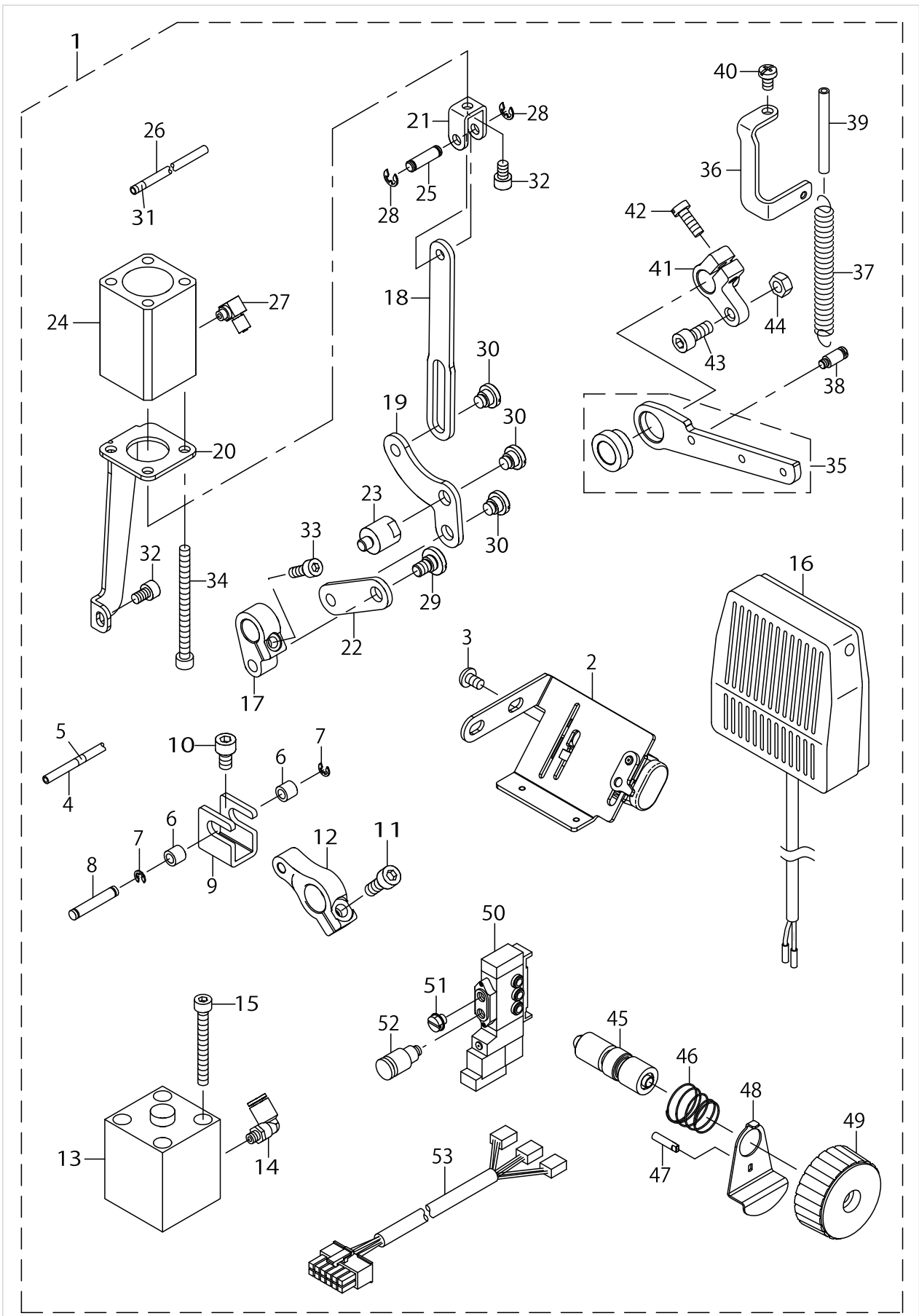
BINDER COMPONENTS (FOR LS-2342S,LS-2342H OPTIONAL PARTS)



BINDER COMPONENTS (FOR LS-2342S,LS-2342H OPTIONAL PARTS)

No.	Supply Code	Parts No.	Replacement	Parts name	Remarks	Choice	Step	Level	Cons	Qty	Rep. QTY
1		40160705		BINDER SET						1	
2		40179289		THROAT PLATE				*		1	
3		MAQ14302000		FEED PLATE A ASM.				*		1	
4		MAQ14303000		FEED PLATE B				*		1	
5		MAQ09205000		BINDER LOCK NUT				*		2	
6		MAQ09204000		BINDER SETSCREW				*		2	
7		SS7110510SP		SCREW 11/64-40 L=5				*		2	
8		SS7110510SP		SCREW 11/64-40 L=5				*		1	
9		MAQ09206000		TAPE GUIDE				*		1	
10		SD0721112SN		HINGE SCREW D=7.24 H=11.1				*		1	
11		21232004		SPRING				*		1	
12		40160708		FEED				*		1	
13		21445200		VERTICAL FEED CAM				*		1	
14		40160706		PRESSER FOOT ASM.				*		1	
15		21445051		FEED FOOT ASM.				*		1	

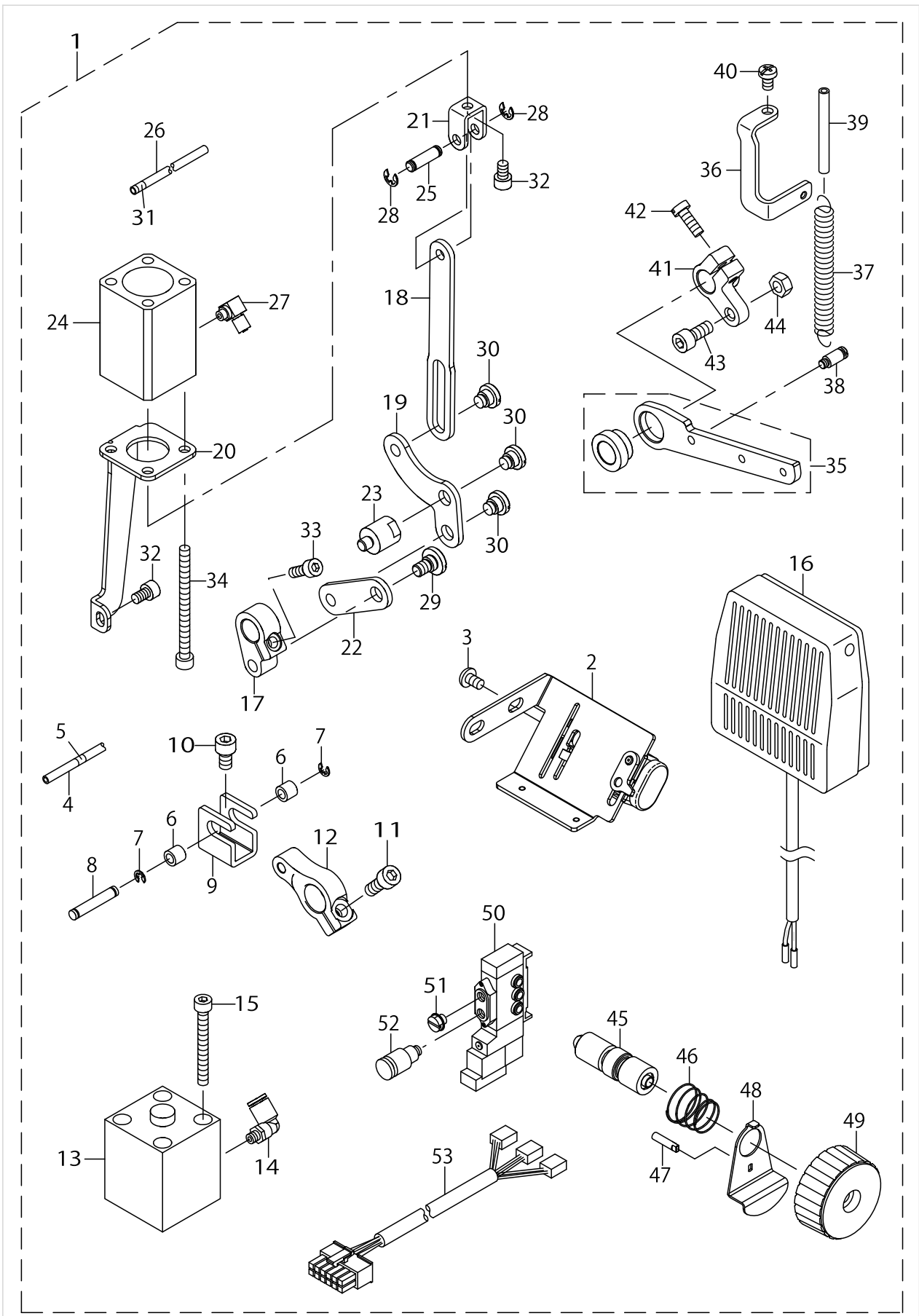
BT & DL COMPONENTS (FOR LS-2342S,LS-2342H OPTIONAL PARTS)



BT & DL COMPONENTS (FOR LS-2342S,LS-2342H OPTIONAL PARTS)

No.	Supply Code	Parts No.	Replacement	Parts name	Remarks	Choice	Step	Level	Cons	Qty	Rep. QTY
1		40161360		BT_DL_KIT						1	
2		40130285		TB_SWITCH_ASSY				*		1	
3		SM4050855SP		SCREW				*		2	
4		BT0400251EB		URETHANE HOSE BLACK				*		0.51	
5		18035501		WIRE MARK (6)				*		1	
6		B3031141H00		CONNECTING STUD				*		2	
7		RE0320000K0		E-RING 3.2				*		2	
8		B1504210000		CONNECTING SHAFT				*		1	
9		40112191		KNUCKLE_JOINT_B				*		1	
10		SM6061002TP		SCREW M6 L=10				*		1	
11		SM6061602TP		SCREW M6 L=16				*		1	
12		40112192		TERTICAL_CYLINDER_ARM				*		1	
13		PA250250900		AIR CYLINDER				*		1	
14		PJ304040504		ELBOW UNION				*		1	
15		SM6054502TP		SCREW M5X0.8 L=45				*		2	
16		40143553		KNEE_SWITCH_ASM.				*		1	
17		40112136		BT_ARM				*		1	
18		40112137		LINK_A				*		1	
19		40112138		LINK_B				*		1	
20		40112140		CYLINDER_STAY				*		1	
21		40112149		CYLINDER_KNUCKLE				*		1	
22		40112150		LINK_C				*		1	
23		40112151		BT_LINK_STUD				*		1	
24		PA200350300		AIR CYLINDER				*		1	
25		D2464555B00		LINK DRIVING MAGNET PIN				*		1	
26		BT0400251EB		URETHANE HOSE BLACK				*		0.19	
27		PJ046052503		HOSE ELBOW				*		1	
28		RE0400000K0		E-RING 4				*		2	
29		SD0800321TH		HINGE SCREW D=8 H=3.2				*		1	
30		SD0800341SP		HINGE SCREW D=8 H=3.4				*		3	
31		18035709		WIRE MARK (8)				*		1	
32		SM6050802TP		SCREW M5X0.8 L=8				*		2	
33		SM6051402TP		SCREW M5X0.8 L=14				*		1	
34		SM6056552TP		SCREW				*		3	
35		40112128		REVERSE_FEED_LE- VER_PLATE_ASM				*		1	
36		40125864		REVERSE_FEED_LE- VER_SPRING_HOOK				*		1	
37		D2629M1YC0F		SPRING				*		1	
38		26229302		SUSPENSION SCREW				*		1	
39		23630007		TUBE				*		0.08	
40		SM4050855SP		SCREW				*		1	
41		40112127		BACKWARD_FEED_C- ONNECTING_ARM				*		1	
42		SM6051400SP		SCREW				*		1	
43		SM6051202TP		SCREW M5X0.8 L=12				*		1	
44		NM6050001SD		NUT M5X0.8				*		1	
45		40141842		FEED_REGULATOR_SCREW				*		1	

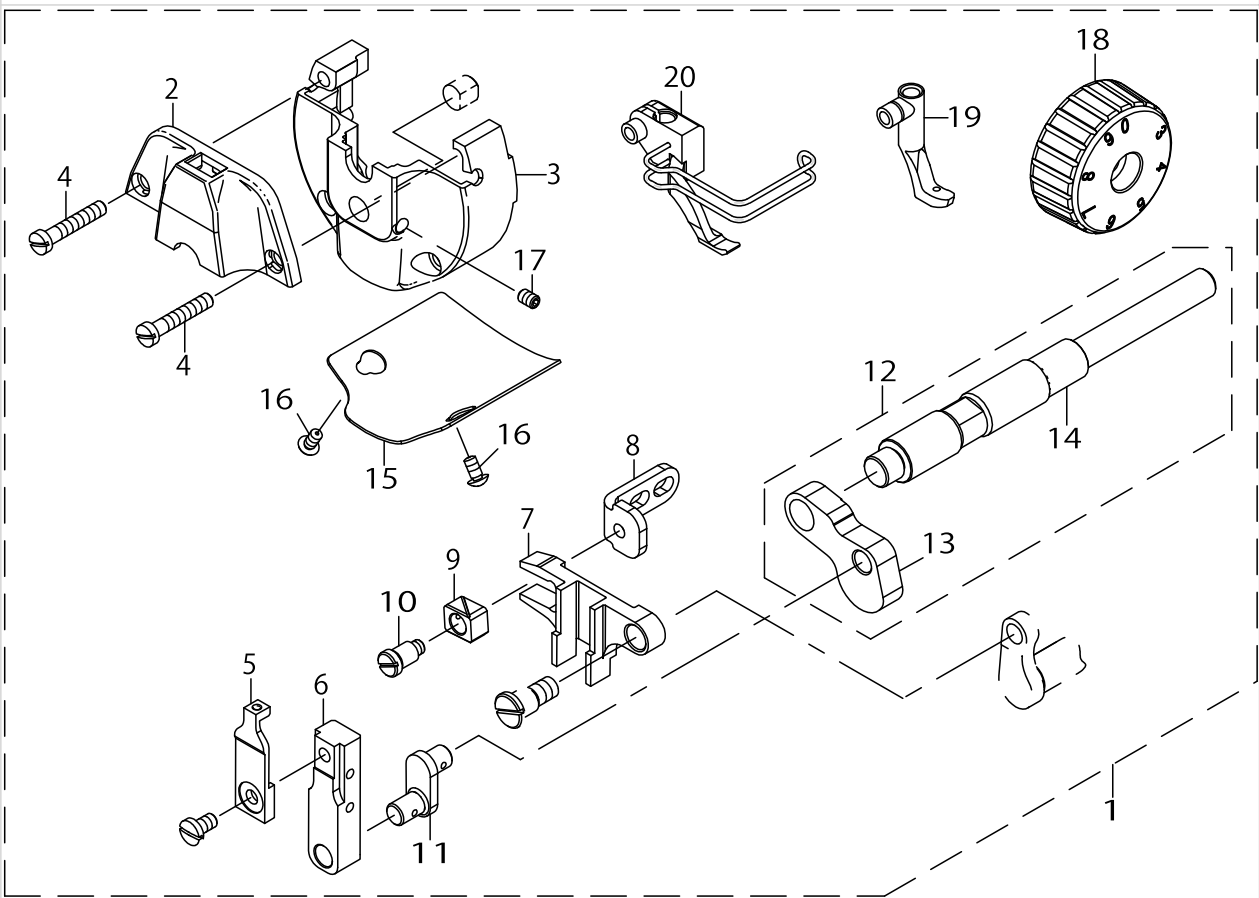
BT & DL COMPONENTS (FOR LS-2342S,LS-2342H OPTIONAL PARTS)



BT & DL COMPONENTS (FOR LS-2342S,LS-2342H OPTIONAL PARTS)

No.	Supply Code	Parts No.	Replacement	Parts name	Remarks	Choice	Step	Level	Cons	Qty	Rep. QTY
46		40141840		REGULATOR_STOPPER_SPRING				*		1	
47		40177396		FEED REGULATOR PIN				*		1	
48		40161441		REGULATOR_PIN_STOPPER				*		1	
49		40163505		FEED_DIAL(A) ASM.				*		1	
50		PV150209100		SOLENOID VALVE				*		2	
51		PJ020500002		PLUG				*		2	
52		PJ301040502		HALF UNION 4XM5				*		2	
53		40133979		SOLENOID VALVE CABLE ASM				*		1	

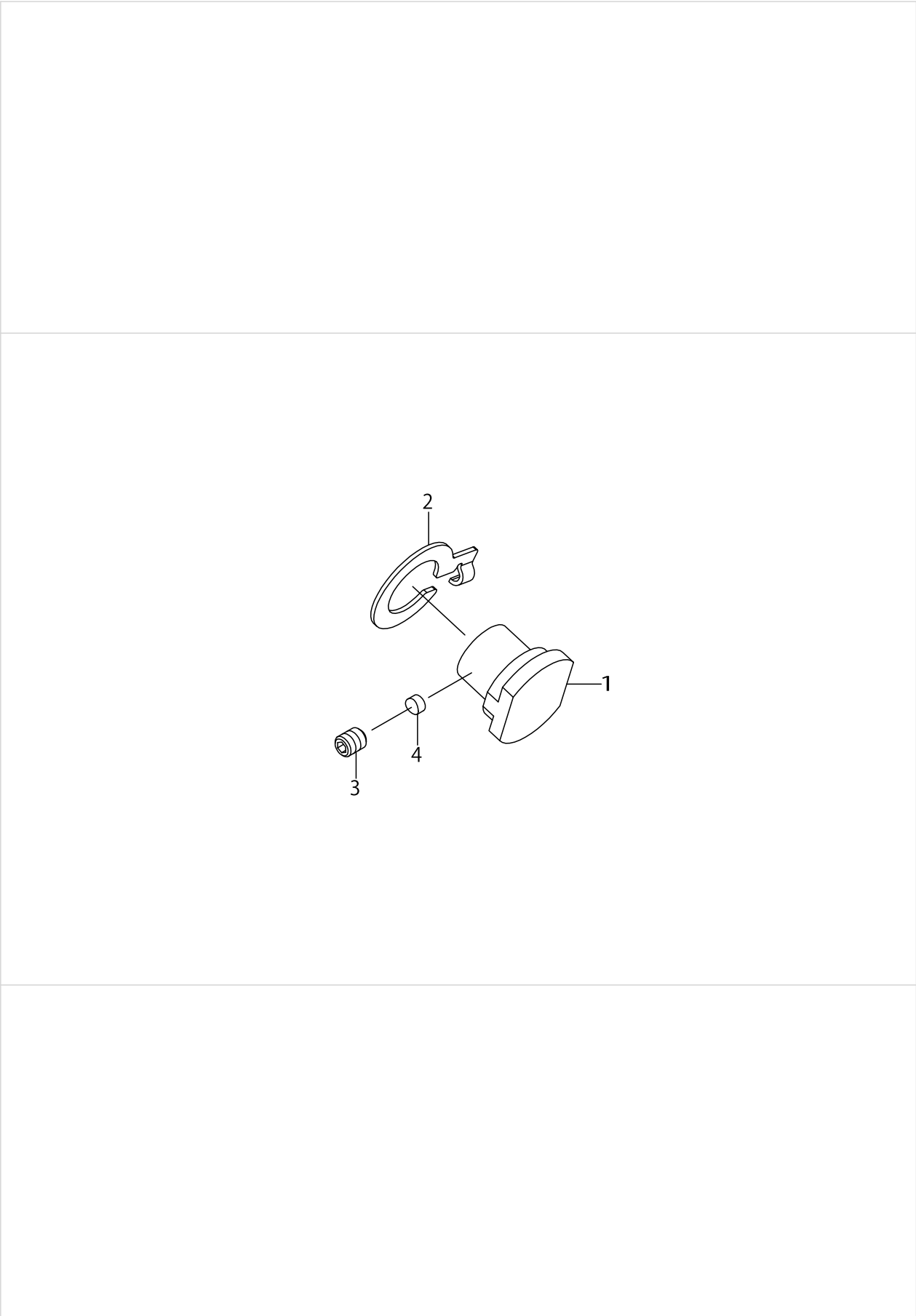
THIN CYLINDER COMPONENTS TYPE P=4 (FOR LS-2342S,LS-2342H OPTIONAL PARTS)



THIN CYLINDER COMPONENTS TYPE P=4 (FOR LS-2342S,LS-2342H OPTIONAL PARTS)

No.	Supply Code	Parts No.	Replacement	Parts name	Remarks	Choice	Step	Level	Cons	Qty	Rep. QTY
1		40166342		THIN CYLINDER SET						1	
2		40119515		THROAT_PLATE_P4				*		1	
3		40119517		THROAT_PLATE_BASE				*		1	
4		SS7112420SP		SCREW11/64-40L=24				*		4	
5		40119519		FEED_DOG_P4				*		1	
6		40119520		FFED_BASE				*		1	
7		40119521		HORIZONTAL_FEED_BASE				*		1	
8		40119522		HORIZONTAL_FEED- _BASE_SUPPORT				*		1	
9		B1414232000		SQUARE BLOCK				*		1	
10		SD0640752TP		HINGE SCREW D=6.35 H=7.5				*		1	
11		40119523		VERTICAL_FEED_LINK				*		1	
12		40119524		VERTICAL_FEED_SHAFT_ASSY				*		1	
13		40119525		VERTICAL_FEED_ARM				*		1	
14		40119526		VERTICAL_FEED_SHAFT				*		1	
15		40119527		THROAT_PLATE_BASE_COVER				*		1	
16		SS3090710TP		SCREW 9/64-40 L=7				*		2	
17		SM8040612TP		SCREW M4 L=6				*		1	
18		40170717		FEED_DIAL_ASSY				*		1	
19		23043656		PRESSER_FOOT_ASM				*		1	
20		40169770		PRESSER_FOOT_ASM				*		1	

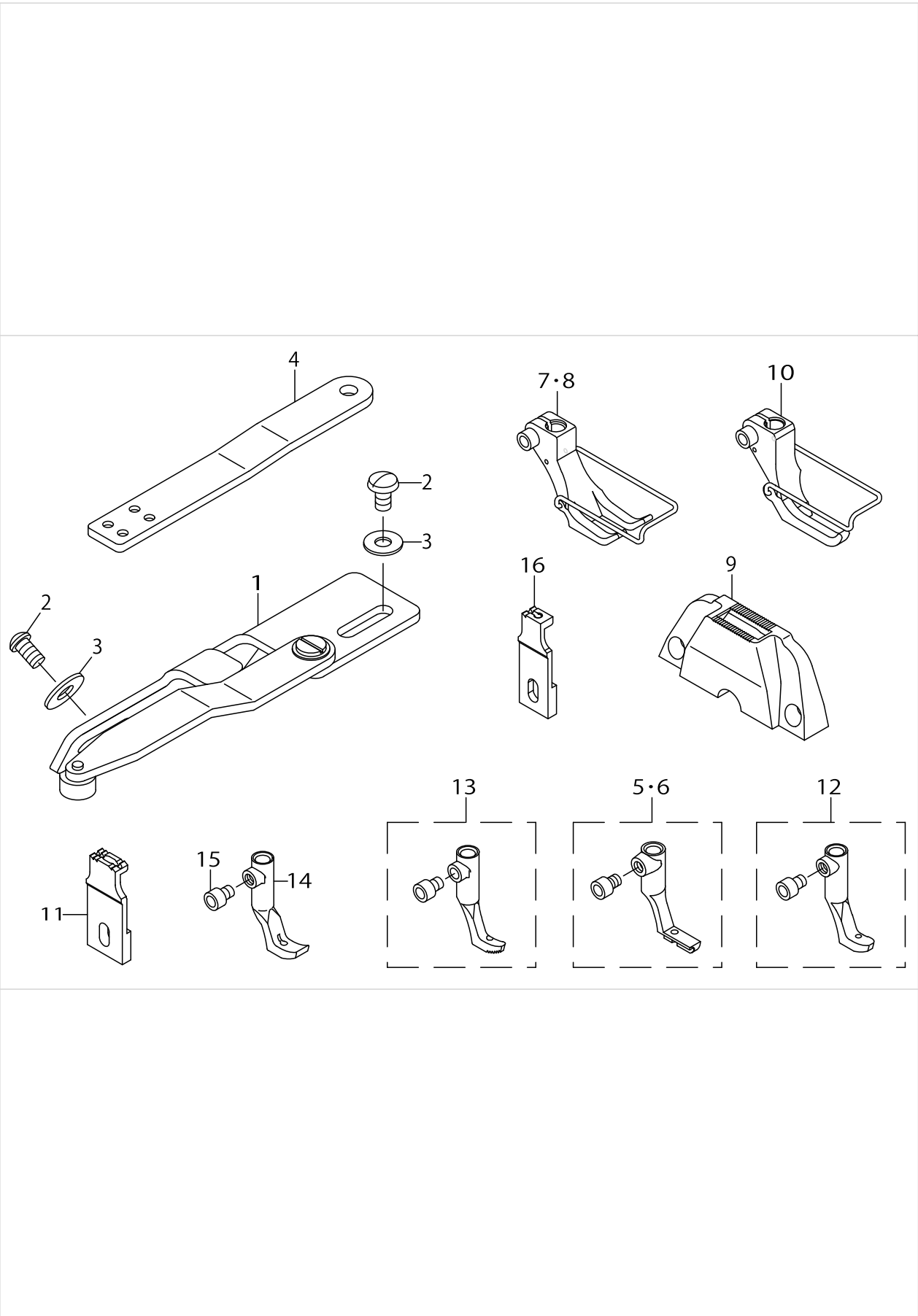
NEEDLE THREAD CLAMP COMPONENTS (LS-2342S-7,LS-2342H-7 OPTIONAL PARTS)



NEEDLE THREAD CLAMP COMPONENTS (LS-2342S-7,LS-2342H-7 OPTIONAL PARTS)

No.	Supply Code	Parts No.	Replacement	Parts name	Remarks	Choice	Step	Level	Cons	Qty	Rep. QTY
1		40131641		THREAD_CATCHER_ASM.						1	
2		40137971		SOLENOID_CABLE HOLDER						1	
3		SM8050612TP		SCREW_M5X6						1	
4		40149044		SOLENOID_SPACER						1	

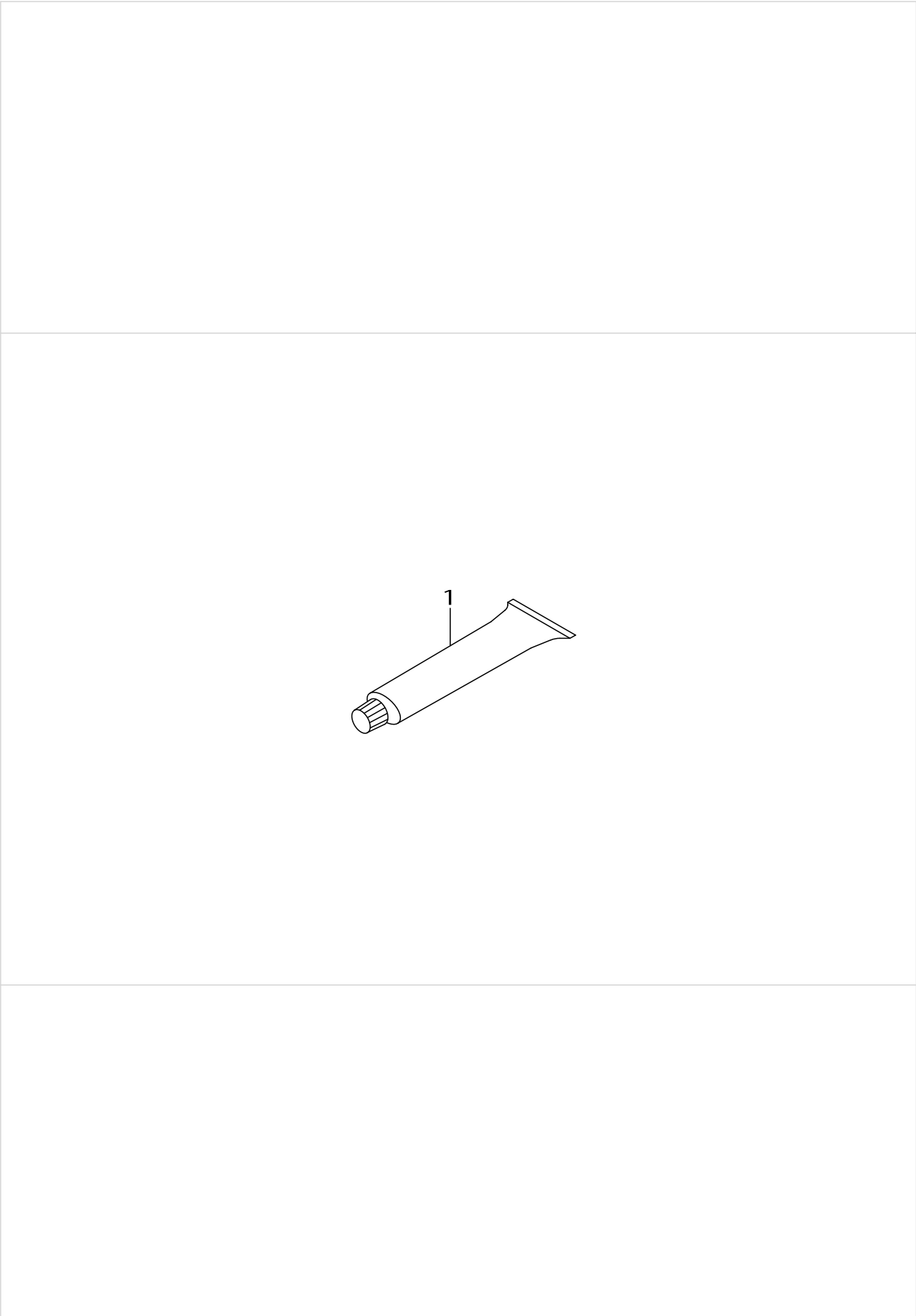
GAUGE COMPONENTS (OPTIONAL PARTS)



GAUGE COMPONENTS (OPTIONAL PARTS)

No.	Supply Code	Parts No.	Replacement	Parts name	Remarks	Choice	Step	Level	Cons	Qty	Rep. QTY
1		B91013400A0		EDGE GUIDE ASM.						1	
2		MAM22709000		SCREW						2	
3		WP0551016SH		WASHER 5.5X13X1						2	
4		B9104340000		FIXING BINDER FITTING PLATE.						1	
5		21445853		WELDING INNER PRESSER ASM.						1	
6		21445952		WELDING INNER PRESSER ASM.						1	
7		40160713		WELDING OUTER PRESSER ASM.						1	
8		40160714		WELDING OUTER PRESSER ASM.						1	
9		40179290		THROAT PLATE						1	
10		40161454		PRESSER FOOT ASM.						1	
11		40159233		FEED DOG						1	
12		23043656		FEED FOOT ASM.						1	
13		21445754		WALKING FOOT ASM.						1	
14		21445408		PRESSER INNER FOOT						1	
15		SM6040552TP		SCREW M4 L=4.5						1	
16		40163507		FEED DOG						1	

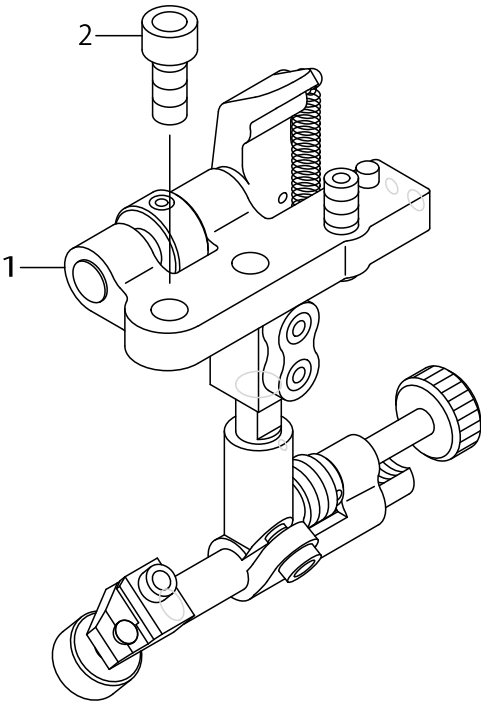
GREASE COMPONENTS (OPTIONAL PARTS)



GREASE COMPONENTS (OPTIONAL PARTS)

No.	Supply Code	Parts No.	Replacement	Parts name	Remarks	Choice	Step	Level	Cons	Qty	Rep. QTY
1		40006323		JUKI GREASE A TUBE						1	

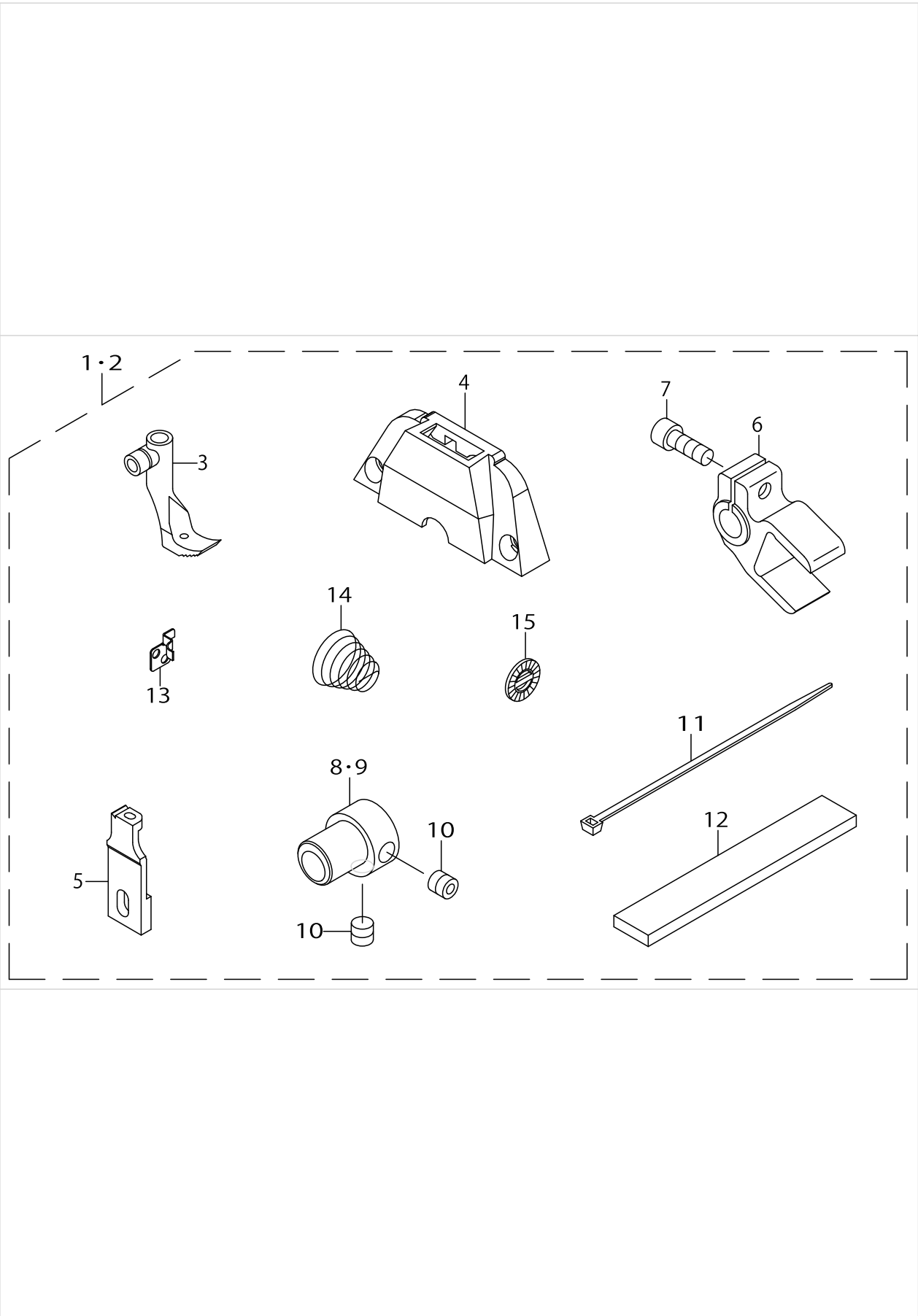
SUSPENSION SQUARE COMPONENTS (OPTIONAL PARTS)



SUSPENSION SQUARE COMPONENTS (OPTIONAL PARTS)

No.	Supply Code	Parts No.	Replacement	Parts name	Remarks	Choice	Step	Level	Cons	Qty	Rep. QTY
1		MAH152010A0		RULER						1	
2		SM6061402TP		SCREW M6 L=14						2	

THICK THREAD SPECIFICATIONS COMPONENTS (FOR LS-2342S,LS-2342S-7 OPTIONAL PARTS)



THICK THREAD SPECIFICATIONS COMPONENTS (FOR LS-2342S,LS-2342S-7 OPTIONAL PARTS)

No.	Supply Code	Parts No.	Replacement	Parts name	Remarks	Choice	Step	Level	Cons	Qty	Rep. QTY
1		40165966		THICK THREAD SP- ECIFICATIONS SET	FOR LS-2342S					1	
2		40165967		THICK THREAD SP- ECIFICATIONS SET	FOR LS-2342S-7					1	
3		10712354		FEED FOOT ASM.	FOR LS-2342S			*		1	
4		40179198		THROAT PLATE				*		1	
5		40162643		FEED DOG				*		1	
6		21429808		FEED ROCKER SHAFT CRANK				*		1	
7		SM6051402TP		SCREW M5X0.8 L=14				*		1	
8		40092359		VERTICAL FEED TRIANGLE CAM	FOR LS-2342S			*		1	
9		21429907		VERTICAL FEED TRIANGLE CAM	FOR LS-2342S-7			*		1	
10		SS8150822TP		SCREW 15/64-28 L=8				*		2	
11		EA9500B0100		CABLE BAND				*		2	
12		40019128		VERTICAL FEED BRANCH FELT				*		1	
13		40165483		CLAMP PLATE	FOR LS-2342S-7			*		1	
14		B3129053000		TENSION SPRING				*		1	
15		22921407		ROTATION STOPPER				*		1	

LIST FOR INFORMATION OF CHANGE

As to the place changed, refer to the corresponding Rev.No.
 When previous parts(Obsoleted part)and new parts(Added parts)are
 not interchangeable with each other:
 In this case, even obsoleted parts(D.)can be ordered with the
 obsoleted part number, so select the parts with changed dates and
 place your orders.

変更箇所は、該当Rev.No.版をご参照ください。
 部品の互換性がない変更の場合は、削除された品番でも、ご注文できます。

40160165
 No.1676-05}・Rev.No.

*A:Added parts追加部品/D:Obsoleted parts削除部品/E:Erratum訂正

* Rev. No.	Page 頁	Ref. No.	Parts No. 品番	* Rev. No.	Page 頁	Ref. No.	Parts No. 品番
D 04	2	53	214-37009	A 05	2	53	401-79197
D 04	2	72	400-72331	A 05	2	72	401-79198
				A 05	2	78	401-79210
D 04	8	38	401-59410	A 05	8	38	401-78025
D 04	8	39	SS-8150822-TP	A 05	8	39	TA-075040-R0
D 04	8	42	401-62718	A 05	8	42	401-79232
				A 05	8	89	401-78026
				A 05	8	90	SB-3095301-0A
				A 05	8	91	SB-3095301-0B
				A 05	8	92	SB-3095301-0C
				A 05	8	93	SB-3095301-0D
				A 05	8	94	401-79196
				A 05	8	95	SM-6020250-TP
D 04	12	24	400-86710	A 05	12	24	401-36701
D 04	14	72	B1806-038-000				
D 04	14	74	214-28305	A 05	14	74	401-79279
D 04	16	43	401-69853	A 05	16	43	401-77396
D 04	16	44	401-41837	A 05	16	44	401-61441
				A 05	16	77	401-61440
D 04	24	5	401-26373	A 05	24	5	401-55956
				A 05	24	7	401-55958
				A 05	24	8	401-55960
				A 05	24	15	SS-4110815-SP
				A 05	24	16	401-61459
				A 05	24	17	401-76349
D 04	24	18	225-28806	A 05	24	12	401-55994
D 04	24	21	225-29408				
D 04	24	38	401-34505	A 05	24	6	401-76347
				A 05	24	43	NS-6110310-SP
D 04	32	2	214-27406	A 05	32	2	401-79289
D 04	34	47	401-69853	A 05	34	47	401-77396
D 04	34	48	401-41837	A 05	34	48	401-61441
D 04	37	9	214-37405	A 05	37	9	401-79290
				A 05	40	-	ALL PARTS - 全部品

HOW TO MAKE USE OF THIS PARTS LIST

1.Explanation of codes

1)"*"mark.....means this part is changed from the previous parts book.

As to the details of the change, refer to the "List for information of change".

2)"#01".....refer to "Note" explanation at bottom of page.

2.Codes on the "Qty" column

• Each numeral indicates the number of parts required.

• "0.1" and "2.5" indicate the length (in meters) of the respective parts.

3.Parentheses mean that the corresponding part is a subpart that constructs an assembly part.

4.Dotted lines on the Figures indicate assembly parts.

5.As to the parts with marks of "☆"(consumable parts) and "◎"(optional parts)on the respective parts, it is recommended to prepare spares.

NUMERICAL INDEX OF PARTS

PART NO	PAGE	REF NO.	PART NO	PAGE	REF NO.	PART NO	PAGE	REF NO.
10320109	44	25	21428503	26	76	22607709	8	17~24
10528800	58	10	21429006	26	47	22607808	8	17~24
10546901	6	35	21429105	26	51	22607907	8	17~24
10622009	42	43	21429204	26	82	22617807	44	37
10697506	44	35	21429402	10	28·86·87	22618201	44	19
10711653	16	10·77	21429600	26	58·86	22618706	44	24
10712354	18	10·77	21429709	26	53	22901805	2	5
10712354	76	3	21429808	26	83	22902506	2	10
10721306	28	23	21429808	76	6	22904155	18	52
10721504	6	21	21429907	14	28·86·87	22911804	28	7
10746709	26	56	21429907	76	8·9	22912109	28	47
10758456	18	74	21431200	12	60	22912109	30	47
10759603	12	41·76	21433305	22	6	22912257	44	1
10759603	58	7·8	21433354	22	4	22912307	22	32
12288908	24	37	21433404	22	19	22913008	18	75
12938304	44	39	21433503	22	35	22913008	24	1
13160304	22	36	21433800	54	1	22921308	52	32
13409107	20	10	21439005	42	1	22921407	46	42
13424502	30	70	21439104	42	9	22921407	52	31
13518501	28	6	21439203	42	11	22921407	76	15
13718507	52	16	21439302	42	14	22921506	44	31
13817408	44	18	21439401	42	17	22921506	52	33
13860408	50	12	21439500	42	18	22921704	52	29
13951009	20	22	21439609	42	21	22932404	22	1
18035006	30	67·68	21439708	42	23	22933006	58	2~4
18035105	30	67·68	21439906	42	27	22933105	58	2~4
18035303	20	13	21440003	42	30	22933204	58	2~4
18035501	34	6	21440102	42	38	22934202	22	9
18035501	62	5	21440102	58	30	22934301	22	10
18035709	36	27	21440201	42	40·44	22934400	22	8
18035709	62	31	21440201	58	31·33	22934509	22	7
21048707	26	81	21440300	42	42	22934707	22	3
21220413	4	52	21440508	42	19	22945505	44	11·14
21223409	10	32	21440607	42	36	22945703	44	9
21223508	10	35	21445051	60	15	22945802	44	10
21227301	12	59·74	21445200	60	13	22949101	20	17
21232004	60	11	21445408	70	14	22954309	44	2
21387600	12	67	21445754	70	13	22958300	58	9
21387709	12	68	21445853	70	5·6	22963409	44	11·14
21387808	10	16	21445952	70	5·6	23043656	66	19
21387907	10	17	22528509	46	45	23043656	70	12
21426606	4	50	22606206	8	17~24	23100506	4	51
21426903	2	44	22606305	8	17~24	23102205	12	59·74
21427703	26	71	22606404	8	17~24	23102700	10	36
21428404	26	77	22607600	8	17~24	23104201	42	3

NUMERICAL INDEX OF PARTS

PART NO	PAGE	REF NO.	PART NO	PAGE	REF NO.	PART NO	PAGE	REF NO.
23534506	32	73	40029250	12	51·72	40112087	6	1
23600505	2	20	40029253	12	50·71	40112091	6	27
23605207	6	12	40033825	28	26	40112092	6	28
23613409	28	24	40034674	4	74	40112093	6	29
23613904	22	30	40034675	4	73	40112094	6	30
23613953	22	29	40038494	16	35	40112106	6	5
23630007	28	17	40038494	24	19	40112118	24	9
23630007	62	39	40042716	4	75	40112127	28	11
23631708	36	21	40077931	30	58	40112127	62	41
23631807	36	22	40079898	12	4·79	40112128	28	12·13
23631906	36	23	40079899	12	6·80	40112128	62	35
23632102	36	19	40079900	12	7·81	40112136	36	1
23638406	40	2	40079902	10	14	40112136	62	17
26017400	24	38	40079903	10	15	40112137	36	2
26018705	24	32	40079904	10	5	40112137	62	18
26229302	28	28	40079905	10	8	40112138	36	3
26229302	62	38	40079912	10	10	40112138	62	19
26260109	52	2	40084142	2	22	40112140	36	4
26260307	52	3	40086018	20	24	40112140	62	20
26260406	52	4	40086018	30	69	40112149	36	5
26260505	52	6	40086679	48	15	40112149	62	21
26260802	52	8	40088958	52	28	40112150	36	6
26261008	52	9	40088959	52	30	40112150	62	22
26261503	52	11	40090058	16	17	40112151	36	7
26910059	56	2	40090101	32	74	40112151	62	23
32055501	48	6	40090318	4	55	40112152	8	9
40006323	72	1	40090323	4	57	40112184	20	3
40006716	20	2	40090530	12	49	40112187	20	14
40010437	6	22	40090727	26	55	40112188	20	15
40010438	6	23	40091245	26	62	40112191	34	7
40010439	6	24	40091250	24	45	40112191	62	9
40010440	6	25	40091254	24	46	40112192	34	11
40010533	6	38	40091315	26	49	40112192	62	12
40010534	6	39	40091899	12	51·72	40112197	18	47
40010535	6	40	40091908	12	50·71	40112199	18	48
40010709	8	1	40092359	14	28·86·87	40112204	44	21
40011144	52	27	40092359	76	8·9	40112213	36	20
40011902	6	31	40094561	2	30	40112214	58	15
40019128	26	58·86	40094670	4	70	40112215	38	3
40019128	76	12	40094671	4	69	40112216	38	5
40023627	16	21	40095001	4	71	40112218	44	22
40025300	58	22	40096354	56	1	40112219	44	23
40027770	58	11	40101720	22	15	40112228	2	37
40029246	12	52·73	40102261	2	4	40112267	30	55
40029248	12	52·73	40105510	38	2	40112270	8	14

NUMERICAL INDEX OF PARTS

PART NO	PAGE	REF NO.	PART NO	PAGE	REF NO.	PART NO	PAGE	REF NO.
40112272	8	15	40125926	16	46	40126549	52	23
40112273	8	11	40125927	52	13	40126550	52	12
40112281	28	14	40125928	52	24	40126555	28	15-16
40112282	28	15-16	40125930	6	32	40126561	28	5
40112312	6	3	40125934	28	2	40126562	48	14
40113224	10	23	40125939	6	34	40126563	48	13
40119515	66	2	40125943	16	18	40126594	52	5
40119517	66	3	40125948	48	2	40126642	30	51
40119519	66	5	40125949	48	4	40126643	30	56
40119520	66	6	40125950	6	6	40126724	44	34
40119521	66	7	40126116	28	20	40127041	8	10
40119522	66	8	40126127	50	11	40127049	6	33
40119523	66	11	40126128	50	7-21	40130277	6	4
40119524	66	12	40126150	20	4	40130285	36	18
40119525	66	13	40126151	24	6	40130285	62	2
40119526	66	14	40126157	18	63	40130286	36	25
40119527	66	15	40126158	18	64	40130287	38	1
40122887	28	8	40126159	18	62	40130288	38	4
40123252	24	17	40126160	16	31	40130289	40	1
40123319	16	27	40126221	2	24	40130290	40	5
40123332	24	15	40126222	58	25	40130291	48	11
40123345	18	72	40126223	16	34	40130702	6	2
40123345	24	34	40126244	6	26	40130703	2	17
40123346	24	35	40126259	40	4	40130704	2	9
40123416	16	38	40126263	48	3	40130705	2	1
40123547	24	7	40126264	16	37	40130706	2	15
40123626	24	5	40126265	44	3	40131641	68	1
40123628	28	19	40126269	16	36	40131887	28	4
40123629	24	8	40126311	52	14	40133979	64	53
40123634	16	20	40126338	16	33	40133982	50	6-20
40123634	24	10	40126339	24	16	40133983	50	7-21
40123639	24	14	40126354	52	10	40134805	2	33
40125844	52	25	40126355	52	1	40134959	28	30
40125850	18	50	40126362	28	12-13	40135014	16	23
40125851	52	7	40126363	28	1	40136296	8	7
40125858	30	49	40126364	20	6	40136701	22	24
40125864	28	22	40126367	20	1	40137971	68	2
40125864	62	36	40126374	16	45	40139345	48	1
40125867	16	22	40126375	24	12	40139455	48	17
40125868	18	65	40126390	16	32	40141840	30	42
40125872	2	36	40126400	18	49	40141840	64	46
40125873	44	4	40126401	24	4	40141842	30	41
40125876	18	71	40126402	8	5	40141842	62	45
40125919	28	3	40126404	44	33	40142199	28	21
40125920	30	39	40126545	50	6-20	40143083	6	11

NUMERICAL INDEX OF PARTS

PART NO	PAGE	REF NO.	PART NO	PAGE	REF NO.	PART NO	PAGE	REF NO.
40143220	8	6	40159234	26	61	40162643	76	5
40143221	8	25	40159451	42	25	40162678	12	1·77
40143553	50	10	40159453	2	42	40162679	12	2·78
40143553	62	16	40159461	4	60	40162681	26	63
40144283	20	5	40160085	4	67	40162682	24	43
40144289	16	1	40160156	4	59	40163081	4	63
40145548	16	42~44	40160157	2	41	40163082	12	47
40145549	16	42~44	40160158	2	45	40163496	26	59
40145550	16	42~44	40160160	2	35	40163499	14	83·85
40147919	2	34	40160164	58	17~ 20·34	40163500	14	82·84
40148034	10	4·79	40160165	58	17~ 20·34	40163501	14	83·85
40148035	10	6·80	40160259	22	11	40163502	12	82·84
40148036	10	7·81	40160403	6	9	40163505	30	45·46
40149044	68	4	40160404	10	18	40163505	64	49
40149115	18	66~69	40160404	10	18	40163506	30	45·46
40149116	18	66~69	40160476	12	54~58	40163507	70	16
40149117	18	66~69	40160477	12	54~58	40165483	42	40·44
40149118	18	66~69	40160478	12	54~58	40165483	58	31·33
40149120	16	2~5	40160479	12	54~58	40165483	76	13
40149121	16	2~5	40160552	22	17	40165966	76	1·2
40149122	16	2~5	40160705	60	1	40165967	76	1·2
40149123	16	2~5	40160706	60	14	40166342	66	1
40149125	16	6~9	40160708	60	12	40169769	58	17~ 20·34
40149126	16	6~9	40160713	70	7·8	40169770	66	20
40149127	16	6~9	40160714	70	7·8	40170717	66	18
40149128	16	6~9	40161345	10	1·77	40171350	58	17~ 20·34
40150131	2	32	40161346	10	2·78	40176347	44	5·6
40151791	52	15	40161347	10	3	40176349	44	16·17
40152022	52	35	40161353	10	9	40177396	30	43·77
40152451	8	2	40161354	10	12	40177396	64	47
40154199	16	19	40161355	10	13	40178025	10	38
40155956	44	5·6	40161356	10	11	40178026	14	89
40155958	44	7	40161360	62	1	40179196	14	94
40155960	44	8	40161361	10	43	40179197	4	53·72
40155994	44	12	40161362	12	44	40179198	4	53·72
40158781	26	66	40161440	32	43·77	40179198	76	4
40158782	22	16	40161441	30	44	40179210	4	78
40158783	22	27	40161441	64	48	40179232	10	42
40158784	22	21	40161453	24	41·72	40179279	26	74
40158785	24	13	40161454	70	10	40179289	60	2
40158786	22	33	40161459	44	16·17	40179290	70	9
40158913	6	10	40161501	12	69	A407855000A	26	57·85
40158925	22	39	40161502	22	38	B1116246000	4	65
40159231	10	40	40161864	10	19	40162643	26	41·72
40159233	70	11	40162643	26	41·72	B1132521000	4	76

NUMERICAL INDEX OF PARTS

PART NO	PAGE	REF NO.	PART NO	PAGE	REF NO.	PART NO	PAGE	REF NO.
B1203051000	54	2	CM300200001	2	8	MAQ14302000	60	3
B1301340000	10	30	CM600100101	2	31	MAQ14303000	60	4
B1308055000	10	20	CM600100201	58	17~ 20·34	MC321001400	8	16·31
B1310055000	10	21	CQ202000000	12	61	MC321001402	58	29·32
B1314055000	10	22	CQ202000000	16	76	MC321001800	8	16·31
B1414232000	66	9	CQ202000000	18	76	MC321001802	58	29·32
B1438512B00	8	17~24	CQ202000000	24	25	NM6030001SC	48	7
B1504210000	34	1	CQ202000000	54	5	NM6030003SC	2	43
B1504210000	62	8	CQ252000000	8	29	NM6050001SD	22	26
B1607246000	26	67	CQ252000000	16	56	NM6050001SD	28	29
B1639051000	10	34	CQ252000000	18	56	NM6050001SD	62	44
B1803246000	12	64	CS0950816SH	42	8	NM6050001SP	50	19
B1820246000	12	54~58	CS1111019SH	26	69	NM6060001SD	16	25
B1836246000A	12	62	CS111101CSH	26	68	NM6060001SD	58	14
B185351200AA	42	31~35	CS1201010SH	22	34	NM6060001SE	22	14
B185351200BA	42	31~35	CS1201010SH	32	71	NS6110310SP	22	28
B185351200CA	42	31~35	CS1701181TP	8	3	NS6110310SP	44	43
B185351200D	42	31~35	D1231555B00	18	51	NS6110310SP	46	43
B185351200E	42	31~35	D1231555B00	24	18	NS6660430SP	26	65
B2415373N00	42	28	D2112555B00	2	28	NS6680410SP	24	33
B3013141H0B	4	64	D2464555B00	36	9	PA200150900	30	66
B3031141H00	34	3	D2464555B00	62	25	PA200350300	36	8
B3031141H00	62	6	D2629M1YC0F	28	27	PA200350300	62	24
B3112704000	44	41	D2629M1YC0F	62	37	PA250250900	34	12
B3129053000	44	40	E2613700000	16	26	PA250250900	62	13
B3129053000	76	14	EA9500B0100	26	57·85	PA400150200	20	16
B31375270A0	44	36	EA9500B0100	30	50	PF055107000	50	14
B8131019000	22	37	EA9500B0100	36	26	PJ020500002	64	51
B8202205000	58	21	EA9500B0100	48	16	PJ025100003	50	13
B91013400A0	70	1	EA9500B0100	50	5	PJ046052503	30	54
B9101552000	58	1	EA9500B0100	54	6	PJ046052503	36	10
B9104340000	70	4	EA9500B0100	76	11	PJ046052503	62	27
B9113012000	58	5	EA9500B0200	50	4	PJ301040502	64	52
B9117201000	10	41·76	GAW01507000	12	53	PJ304040504	34	5
B9117201000	58	7·8	HK034610140	48	18	PJ304040504	62	14
B91212200A0	58	6	HK03464000B	42	6	PJ304045102	20	21
B9130245000	58	12	HX00150000B	58	28	PJ304065101	50	15
BT0400251EB	20	12	HX00150000M	50	8	PS0200102KH	10	33
BT0400251EB	30	52·53	MA011532000	58	27	PS0200102KH	24	44
BT0400251EB	34	2	MAH152010A0	74	1	PV150209100	64	50
BT0400251EB	36	28	MAM22709000	70	2	RC0150001KP	18	53
BT0400251EB	62	26	MAQ09204000	60	6	RC0150001KP	24	40
BT0500300EA	12	66	MAQ09205000	60	5	RC0560711KP	52	17
BT0600401EB	50	1	MAQ09206000	60	9	RE0320000K0	34	4
BT0800501EB	50	2				RE0320000K0	62	7

NUMERICAL INDEX OF PARTS

PART NO	PAGE	REF NO.	PART NO	PAGE	REF NO.	PART NO	PAGE	REF NO.
RE0400000K0	20	23	SM0030601SC	52	18	SM6051402TP	58	16
RE0400000K0	36	11	SM0050801SC	18	61	SM6051402TP	62	33
RE0400000K0	62	28	SM0051001SC	52	34	SM6051402TP	76	7
RE0500000K0	18	57	SM1040750TP	2	26	SM6051552TP	12	48·75
RE0500000K0	46	46	SM1061201SN	10	25	SM6051552TP	22	22
RO037180100	44	26	SM4021601SN	40	3	SM6051602TP	22	20
SB108002400	6	36	SM4030601SC	4	46	SM6051602TP	30	62
SB120001800	6	13	SM4040655SP	2	25	SM6051802TP	20	8
SB120002700	6	16	SM4040855SP	2	21	SM6054502TN	20	20
SB125000600	18	58	SM4050501SC	8	26	SM6054502TP	34	10
SB130000200	24	26	SM4050855SP	2	29	SM6054502TP	62	15
SB30953010A	14	90~93	SM4050855SP	28	32	SM6056552TP	36	17
SB30953010B	14	90~93	SM4050855SP	36	14	SM6056552TP	62	34
SB30953010C	14	90~93	SM4050855SP	46	47	SM6061002TP	2	38
SB30953010D	14	90~93	SM4050855SP	50	9	SM6061002TP	34	8
SD0380556TL	4	77	SM4050855SP	58	26	SM6061002TP	62	10
SD0450401SP	44	27	SM4050855SP	62	40	SM6061010TP	30	60
SD0500701TP	22	25	SM4051001SN	46	44	SM6061202TP	16	13
SD0550271TP	48	8	SM4051055SP	2	61	SM6061402TP	74	2
SD0600321SP	42	16	SM4051055SP	4	61	SM6061602TP	20	19
SD0600352SP	42	15	SM4051255SP	48	12	SM6061602TP	30	61
SD0600452TP	42	12	SM4055501SC	2	3	SM6061602TP	34	9
SD0640322TP	10	24	SM6020250TP	14	95	SM6061602TP	62	11
SD0640631TP	42	26	SM6030602TP	48	9	SM6061802TP	24	27
SD0640752TP	66	10	SM6031202TP	52	20	SM6062002TP	16	14
SD0721112SN	60	10	SM6040552TP	70	15	SM6081552TP	20	18
SD0790451SP	42	13	SM6040602TP	42	4	SM8040402TP	4	58
SD0790701SP	26	64	SM6040650TP	8	8	SM8040612TP	66	17
SD0800321TH	36	12	SM6040650TP	18	59	SM8050402TP	26	54
SD0800321TH	62	29	SM6040650TP	24	36	SM8050412TP	30	64
SD0800341SP	36	13	SM6040860TP	52	19	SM8050502TP	52	21
SD0800341SP	62	30	SM6050800SP	24	39	SM8050612TP	24	30
SD0800346TP	30	57	SM6050802TP	20	9	SM8050612TP	68	3
SD0800352SP	4	66	SM6050802TP	30	59	SM8050812TP	6	7
SD0802126TP	16	24	SM6050802TP	36	15	SM8050812TP	24	29
SD0900426TP	30	65	SM6050802TP	62	32	SM8050842TP	24	28
SD0900701TP	24	11	SM6051000SP	18	60	SM8051002TP	52	36
SK3241601SC	58	23	SM6051202TP	12	48·75	SM8060552TP	16	16
SK3482001SE	50	17	SM6051202TP	28	34	SM8060612TP	4	68
SL4040691SC	40	6	SM6051202TP	50	16	SM8060612TP	6	19
SL4040881SC	28	31	SM6051202TP	62	43	SM8060612TP	8	4
SL4041091SC	50	3	SM6051400SP	28	33	SM8060612TP	16	15
SL4041491SC	38	6	SM6051400SP	62	42	SM8060612TP	20	7
SL4051091SC	2	39	SM6051402TP	26	84	SM8060612TP	24	31
SL6052592TN	6	17	SM6051402TP	36	16	SM8060612TP	28	76

NUMERICAL INDEX OF PARTS

PART NO	PAGE	REF NO.	PART NO	PAGE	REF NO.
SM8060612TP	30	76	SS8110422TP	12	70
SM8060612TP	32	76	SS8110422TP	26	80
SM8060812TP	6	37	SS8110422TP	42	24
SM80608A2TP	6	14	SS8110710SP	26	50
SM80608A2TP	18	70	SS8111010TP	10	26
SM8063012TR	22	13	SS8150432TH	10	37
SM8080812TP	6	20	SS8150510TP	26	73
SM9061203SE	22	5	SS8150710TP	10	31
SM9061613SC	22	2	SS8150822TP	14	29·88
SQ1110401MZ	54	4	SS8150822TP	76	10
SS1092810SP	12	45	SS8660530TP	22	18
SS2060310SP	8	13	SS8660610TP	26	70
SS2090520SL	4	49	SS8660612TP	10	63
SS3090710TP	44	28	SS8660612TP	12	63
SS3090710TP	66	16	SS8660612TP	42	7
SS4090515SP	48	5	SS8661012TP	46	48
SS4110615SP	44	29	SS9152130CP	26	79
SS4110815SP	44	15	TA0500301R0	8	27
SS5110710SP	4	47	TA0620504R0	8	28
SS6060220SP	42	41	TA0750404R0	10	39
SS6090620TP	42	39	TA0750404R0	32	75
SS6110480SP	42	37	TA1030402R0	2	11
SS6110610TP	26	60	TA1250406R0	2	13
SS6110710TP	42	10	TA1250504R0	4	48
SS6121210SP	42	29	TA1270502R0	2	12
SS6121220TP	26	48	TA1550902R0	2	40
SS6121610TP	22	31	TA1650406R0	2	6
SS6121610TP	26	75	WP0320501SC	58	24
SS6121850TP	26	52	WP0320501SE	48	10
SS6121860SP	30	48	WP0430800SD	16	41
SS6151040SP	42	2	WP0450801SP	52	22
SS6151210SP	42	22	WP0460556SD	44	32
SS7090910TP	8	12	WP0501016SD	44	30
SS7091110TP	12	46	WP0551016SH	70	3
SS7110410SP	4	62	WP0621016SH	26	78
SS7110510SP	60	8	WP0651001SC	18	73
SS7110710SP	54	3	WP0751576SD	58	13
SS7110740TP	36	24	WP0820516SP	6	8
SS7110840SP	24	42	WP1751616SD	32	72
SS7112420SP	66	4	WS0451040KP	52	26
SS7112810SP	4	54	WS0510002KN	50	18
SS7113110SP	4	56	WT1780011KP	28	25
SS8080410TP	8	30	WZ1052010KP	20	11
SS8110410TP	12	65			
SS8110410TP	42	20			