

MODEL : DDL-9000B/X73199

List No : 1686-00

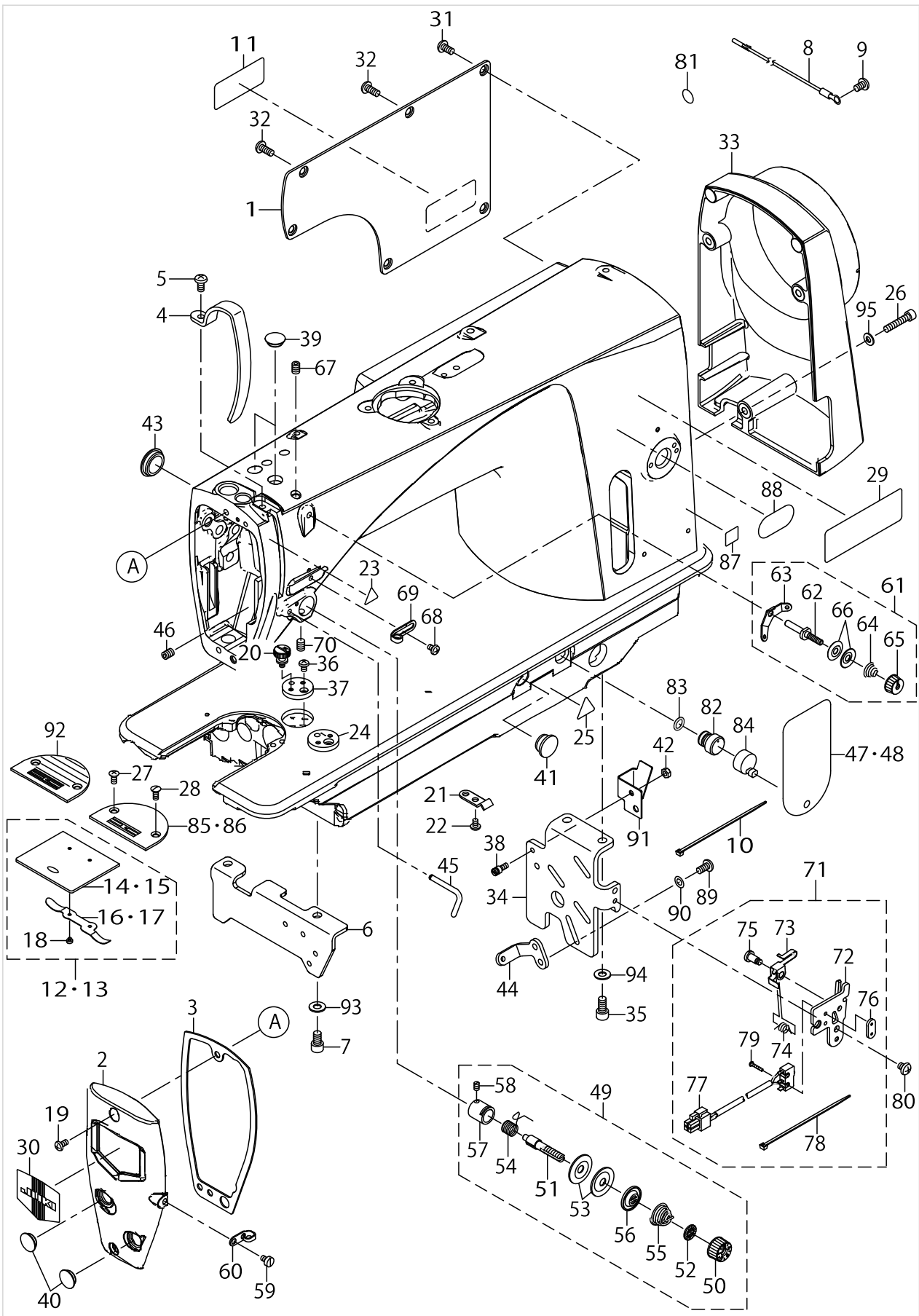
PARTS LIST

Published:05/12/2017

CONTENTS

MACHINE FRAME & MISCELLANEOUS COVER COMPONENTS	1
BOBBIN WINDER COMPONENTS.....	7
MAIN SHAFT & NEEDLE BAR COMPONENTS.....	9
HAND LIFTER & TENSION RELEASE COMPONENTS.....	13
FEED ADJUST MECHANISM COMPONENTS	17
HORIZONTAL FEED, VERTICAL FEED & HOOK DRIVING SHAFT COMPONENTS.....	21
THREAD TRIMMER COMPONENTS (1).....	25
THREAD TRIMMER COMPONENTS (2).....	29
OIL LUBRICATION COMPONENTS	31
AUTOMATIC REVERSE FEED COMPONENTS.....	35
CONDENSE COMPONENTS.....	37
WIPER COMPONENTS (FOR DDL-9000B-**-WB)	39
THREAD STAND COMPONENTS.....	41
UNDER COVER COMPONENTS	43
ACCESSORIE PART COMPONENTS	45
EXCLUSIVE PARTS DDL-9000B DS	47
EXCLUSIVE PARTS DDL-9000B MS,MA	49
EXCLUSIVE PARTS DDL-9000B SH.....	51
TABLE & STAND COMPONENTS.....	55
SPECIAL ORDER PART	57
NEEDLE THREAD PRESSER COMPONENTS	59
LED REVERSE FEED SWITCH COMPONENTS	61
GAUGE COMPONENTS.....	63
HOW TO MAKE USE OF THIS PARTS LIST	65

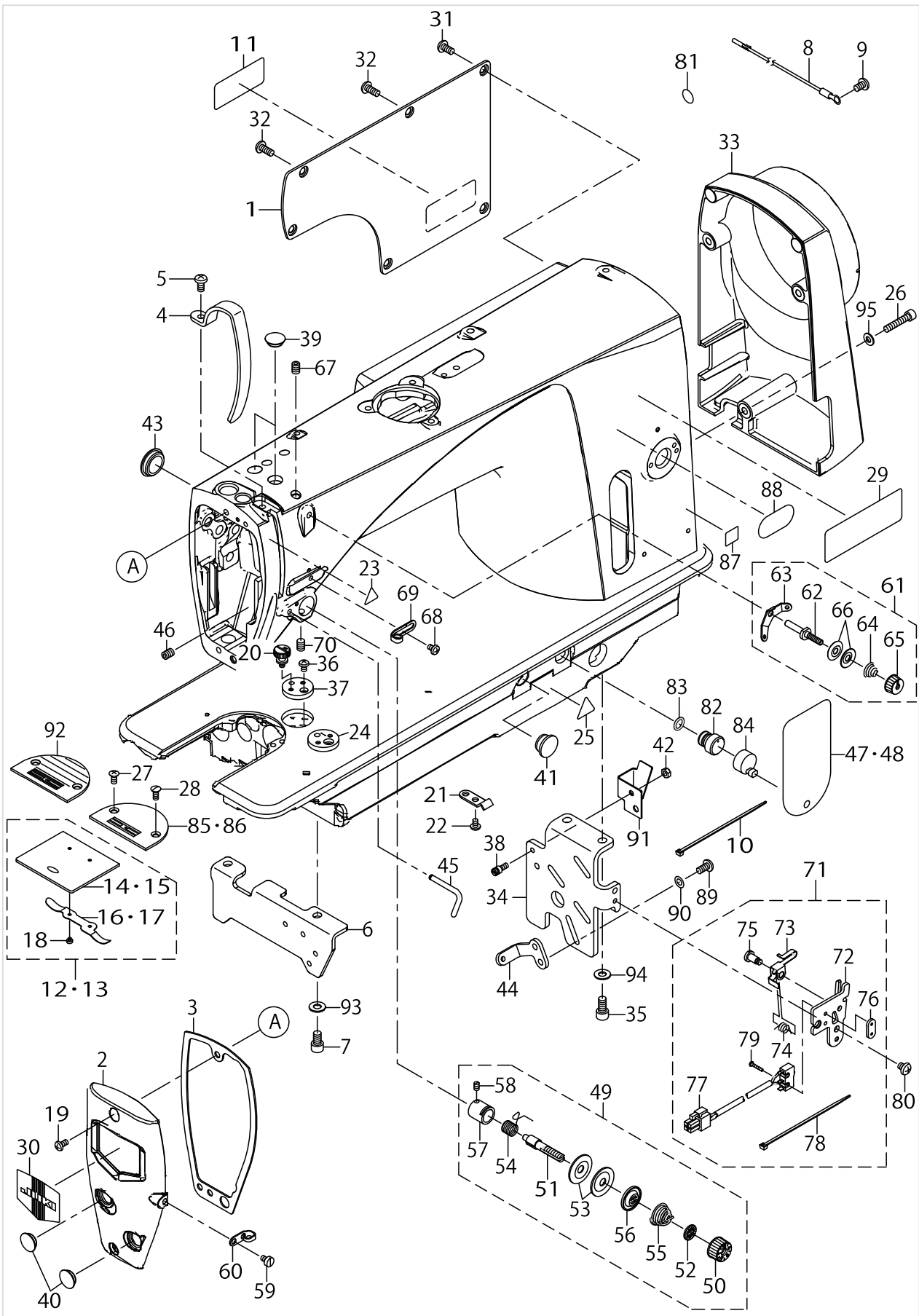
MACHINE FRAME & MISCELLANEOUS COVER COMPONENTS



MACHINE FRAME & MISCELLANEOUS COVER COMPONENTS

No.	Supply Code	Parts No.	Replacement	Parts name	Remarks	Choice	Step	Level	Cons	Qty	Rep. QTY
1		40037158		SIDE PLATE						1	
2		40041161		FACE PLATE						1	
3		40052819		FACE PLATE PACKING						1	
4		23600505		THREAD TAKE-UP LEVER COVER						1	
5		SM4051055SP		SCREW						1	
6		40086713		BED_STUD_A						1	
7		SM6061002TP		SCREW M6 L=10						2	
8		22951552		GROUND WIRE ASM.						1	
9		SM4050855SP		SCREW						1	
10		EA9500B0100		CABLE BAND						1	
11	D	40094561		SEWING MACHINE LABEL (EU)	FOR BB					1	
12		22901250		SLIDE PLATE ASM.	FOR BB,EE					1	
13		22902753		SLIDE PLATE ASM.	FOR AA,GG					1	
14	R	22901201	22901250	SLIDE PLATE				*		1	1.00
15		22902704		SLIDE PLATE				*		1	
16		22901300		SLIDE PLATE SPRING				*		1	
17		22901300		SLIDE PLATE SPRING				*		1	
18		SS6060210SP		SCREW 3/32-56 L=1.9				*		2	
19		SM4050855SP		SCREW						2	
20		40069110		ATTACHMENT FIXATION SCREW	OPTIONAL PARTS					1	
21		22944508		WIRE PRESSER A						1	
22		SM4040855SP		SCREW						1	
23		CM300200001		ATTENTION SEAL						1	
24		40069097		RULER PLATE I	OPTIONAL PARTS					1	
25		CM300200003		ATTENTION LABEL						1	
26		SM6052502TP		SCREW M5X25						3	
27		SM2040955TP		SCREW M4 L=8.5						1	
28		SM2040750TP		SCREW M4 L=7.4						1	
29		CM301300001		SAFETY LABEL						1	
30		22902506		FACE PLATE						1	
31		SM4051055SP		SCREW						4	
32		SM4051255SP		SCREW M5 L=12						2	
33		40086732		PULLEY_COVER						1	
34		40086714		BED_STUD_B						1	
35		SM6061202TP		SCREW M6 L=12						2	
36		SM4040655SP		SCREW M4 L=6						1	
37		40035589		RULER PLATE						1	
38		40091461		FEED LEVER SPRING HOOK						1	
39		TA1250406R0		RUBBER PLUG D=12.5 L=4						2	
40		TA1250406R0		RUBBER PLUG D=12.5 L=4						2	
41		TA1470704R0		RUBBER PLUG						1	
42		NM6040001SP		NUT M4X0.7						1	
43		TA1250406R0		RUBBER PLUG D=12.5 L=4						1	
44		40114043		FEED_ADJUSTING_SPRING_PLATE						1	
45		40052933		ARMTHREADGUIDE C						1	
46		SM80608A2TP		SCREW M6 L=8						1	

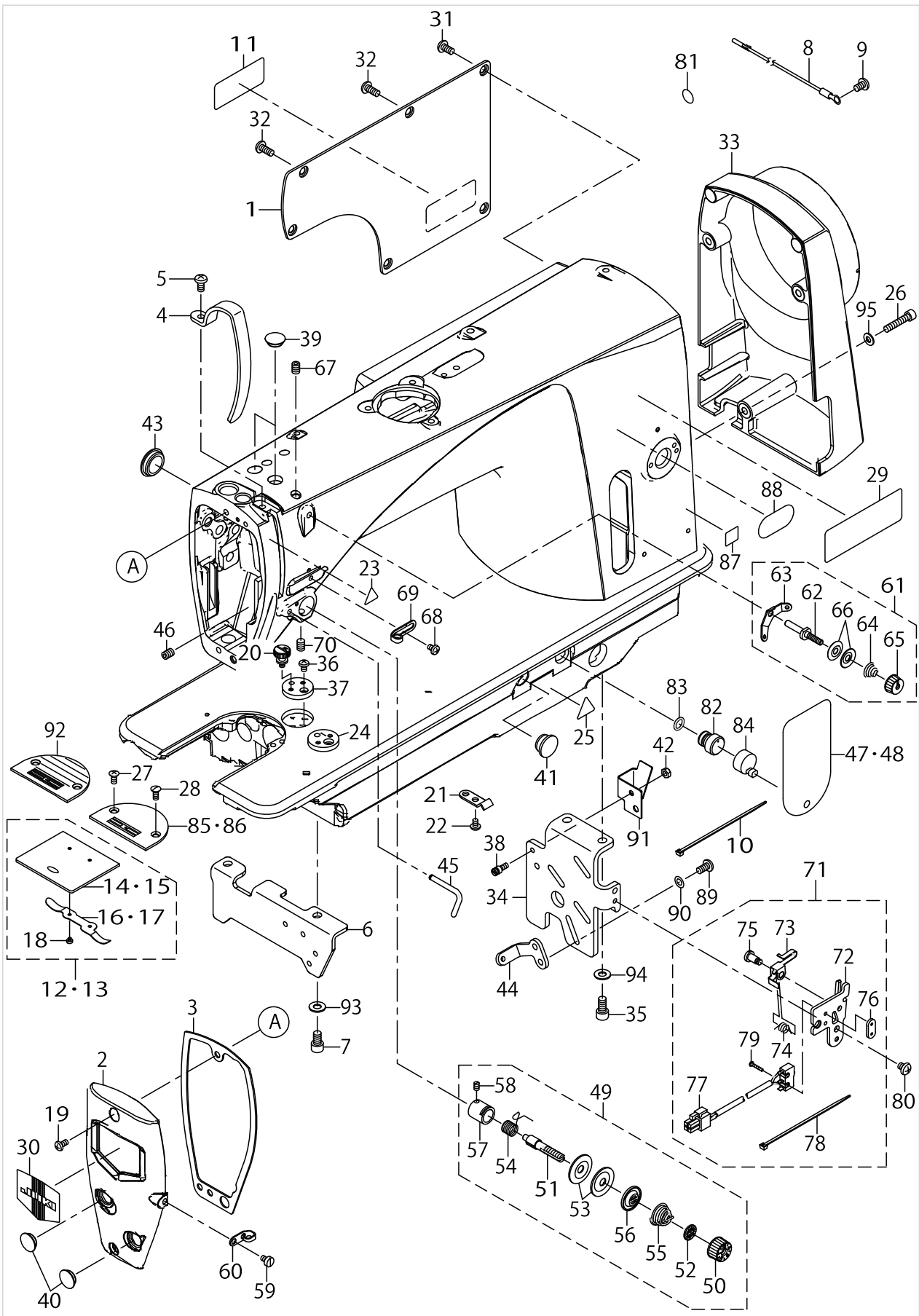
MACHINE FRAME & MISCELLANEOUS COVER COMPONENTS



MACHINE FRAME & MISCELLANEOUS COVER COMPONENTS

No.	Supply Code	Parts No.	Replacement	Parts name	Remarks	Choice	Step	Level	Cons	Qty	Rep. QTY
47		23640006		SHEET						1	
48		40037488		SHEET	FOR GG					1	
49		40086639		THREAD_TENSION_DISK_ASM.						1	
50		23626005		THREAD TENSION NUT				*		1	
51		22921209		THREAD TENSION POST				*		1	
52		22921407		ROTATION STOPPER				*		1	
53		22921506		THREAD TENSION DISK				*		2	
54		22921605		THREAD TAKE-UP SPRING				*	☆	1	
55		22921704		THREAD TENSION SPRING A				*		1	
56		22921803		DISK STOPPER				*		1	
57		40086640		TENSION_POST_SOCKET_ASM.				*		1	
58		SS8090670SP		SCREW 9/64-40 L=5.5				*		1	
59		SS6110610TP		SCREW 11/64-40 L=6						1	
60		22920607		ARMTHREADGUIDEB						1	
61		22963458		THREAD TENSION ASM.						1	
62		22945414		THREAD TENSION POST				*		1	
63	R	22945604	22963458	THREAD TENSION GUIDE		A		*		1	1.00
63	R	22945604	22945463	THREAD TENSION GUIDE		B		*		1	1.00
64	R	22963409	22963458	THREAD TENSION SPRING				*		1	1.00
65		22945703		THREAD TENSION NUT				*		1	
66		22945802		THREAD TENSION DISK				*		2	
67		SM80608A2TP		L=8SCREW M6 L=8						1	
68		SM5040655SN		SCREW						1	
69		23626104		ARMTHREADGUIDEA						1	
70		SM80608A2TP		L=8SCREW M6 L=8						1	
71		40086659		SAFETY_SWITCH_ASM.						1	
72		40086660		SAFETY_SWITCH_BASE				*		1	
73		23638109		SAFETY SWITCH ARM				*		1	
74	R	23638208	23638059	SAFETY SWITCH SPRING				*		1	1.00
75		23638307		SAFETY SWITCH ARM SHAFT				*		1	
76	R	23638406	23638059	SAFETY SWITCH NUT				*		1	1.00
77		40098386		SAFETY_SWITCH_CORD_ASM.				*		1	
78		EA9500B0100		CABLE BAND				*		1	
79		SM4021201SC		SCREW M2 L=12				*		2	
80		SM4050655SP		SCREW M5 L=6						1	
81		22901805		GROUND MARK						1	
82		23629900		AIR-DISCHARGING						1	
83		RO080150200		RUBBER RING						1	
84		23601305		AIR-DISCHARGING CAP						1	
85		B1109012I0B		THROAT PLATE (I)	FOR AA,BB					1	
86		11028008		THROAT PLATE	FOR EE					1	
87		CM600100101		WEEE MARK LABEL S	FOR BB					1	
88		CM600600101		CHINA ENVIRONMENT LABEL	FOR GG					1	
89		SM4051055SP		SCREW						2	

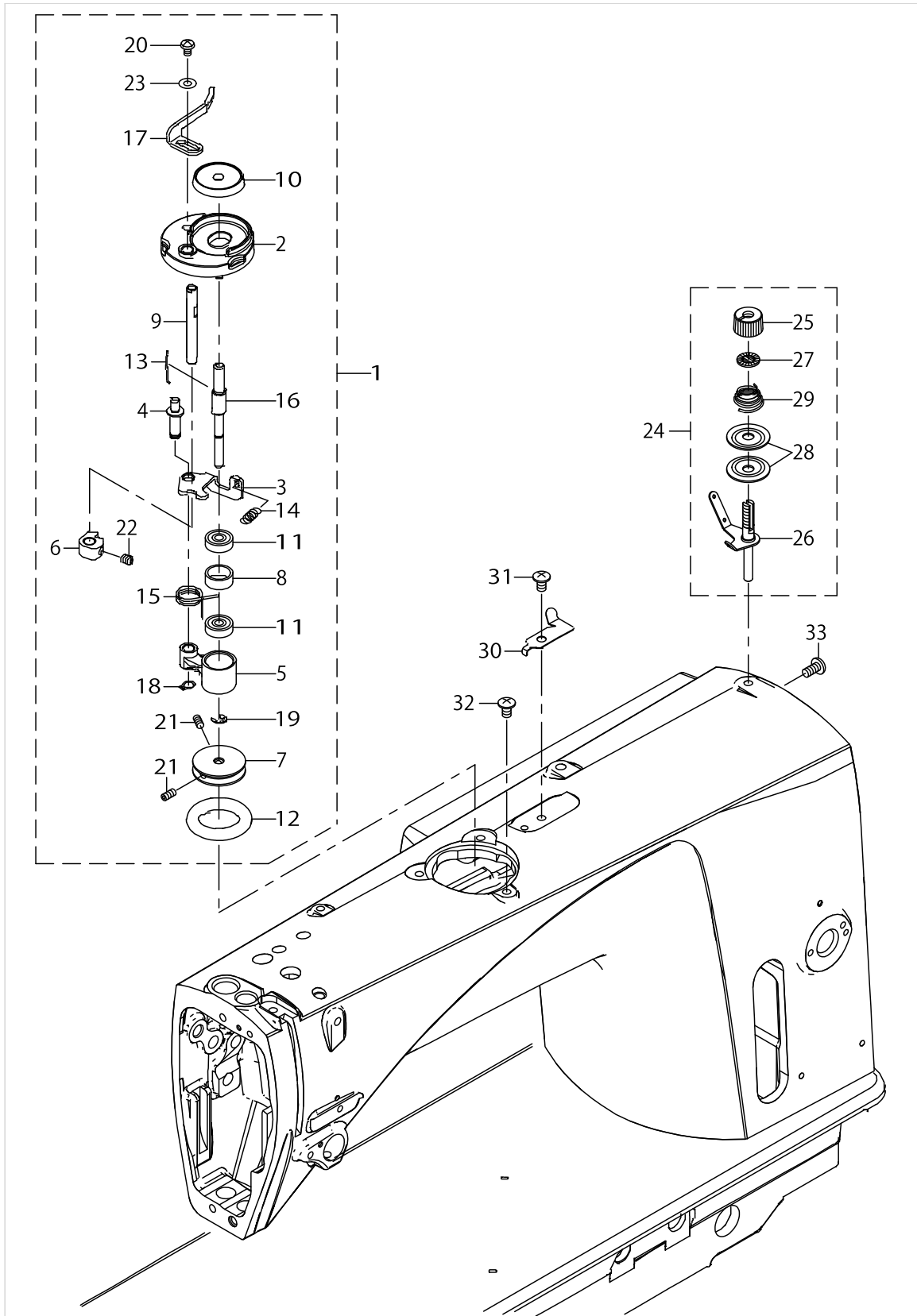
MACHINE FRAME & MISCELLANEOUS COVER COMPONENTS



MACHINE FRAME & MISCELLANEOUS COVER COMPONENTS

No.	Supply Code	Parts No.	Replacement	Parts name	Remarks	Choice	Step	Level	Cons	Qty	Rep. QTY
90		WP0550800SP		WASHER 5.5X10X0.8						2	
91		40091397		CABLE COVER						1	
92		B1109552000		THROAT PLATE	FOR GG					1	
93		WP0621016SD		WASHER 6.2X13X1						2	
94		WP0621016SD		WASHER 6.2X13X1						2	
95		WP0501016SD		WASHER 5X10.5X1						3	

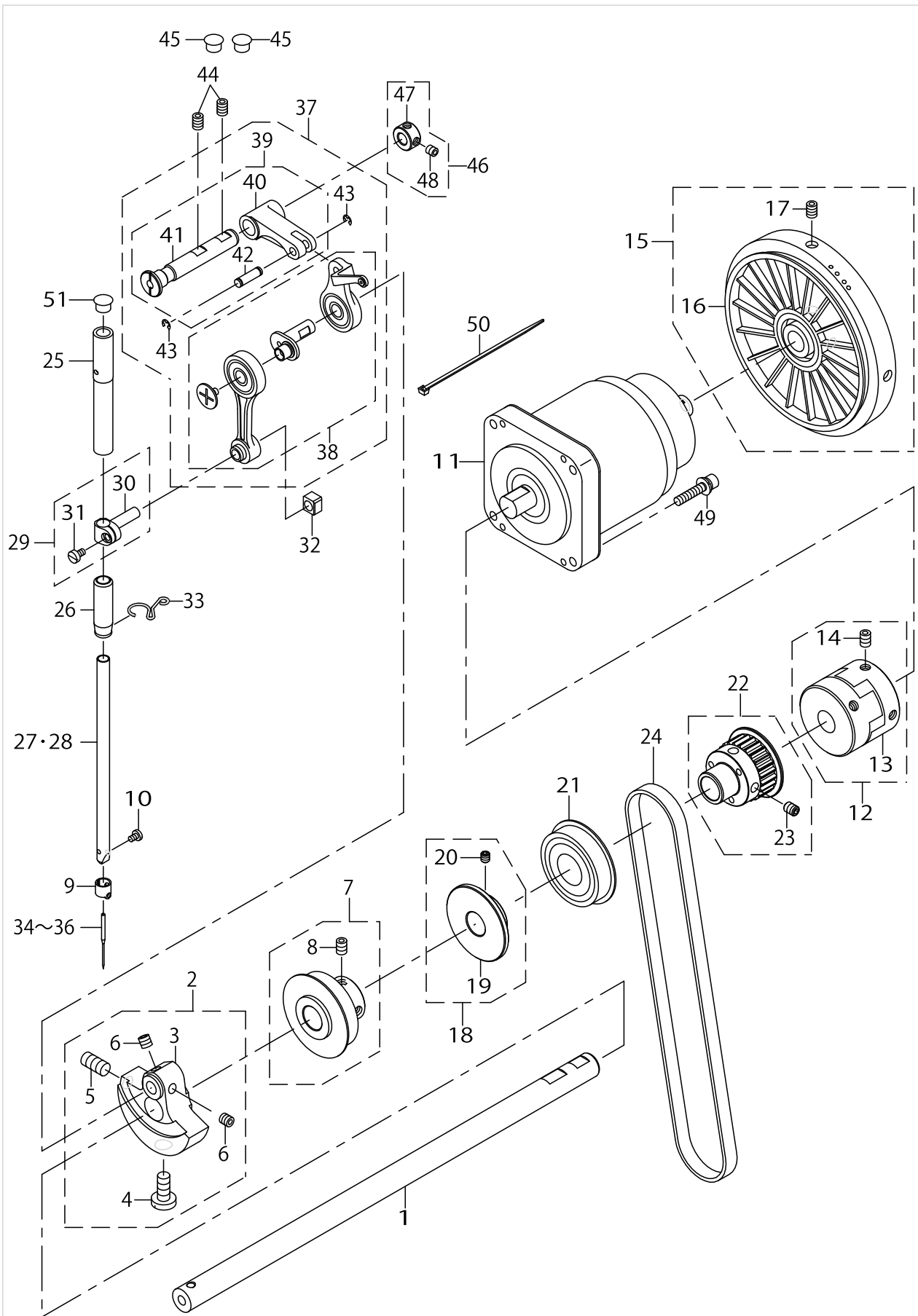
BOBBIN WINDER COMPONENTS



BOBBIN WINDER COMPONENTS

No.	Supply Code	Parts No.	Replacement	Parts name	Remarks	Choice	Step	Level	Cons	Qty	Rep. QTY
1		40023021		BOBBINWINDERUNIT						1	
2	R	26260109	26260000	BTW_BASE				*		1	1.00
3		26260208		BTW_CAM_PLATE				*		1	
4		26260307		BTW_BASE_SHAFT				*		1	
5		26260406		BTW_SHAFT_BASE				*		1	
6		26260505		BTW_CAM_LEVER				*		1	
7		26260604		BTW_WHEEL				*		1	
8	R	26260802	26260000	BTW_BEARING_SPACER				*		1	1.00
9		26261008		BTW_LEVER_SHAFT				*		1	
10		26261206		BTW_SPACER				*		1	
11	R	26261305	26260000	BTW_BEARING				*		2	1.00
12		26261503		BTW_WHEEL_RUBBER				*	☆	1	
13		26261602		BOBBIN_SPRING				*	☆	1	
14		26261701		BTW_SPRING				*		1	
15		40011144		BTW_TORSION_SPRING				*		1	
16		40014837		BTW_SHAFT				*		1	
17		40023022		BTW LEVER				*		1	
18		RC0560711KP		RETAINING RING				*		1	
19		RE0400000K0		E-RING 4				*		1	
20		SM5040655SN		SCREW				*		1	
21		SM8040802TP		SCREW M4X8				*		2	
22		SM8050502TP		SCREW M5 L=5				*		1	
23		WP0450826SC		WASHER 4.5X10X0.8				*		1	
24		40088958		BOBBIN THREAD TENSION ASM.				*		1	
25		22921308		THREAD TENSION NUT				*		1	
26		40088959		BOBBIN THREAD T- ENSION ROD ASM.				*		1	
27		22921407		ROTATION STOPPER				*		1	
28		22921506		THREAD TENSION DISK				*		2	
29		22921704		THREAD TENSION SPRING A				*		1	
30		40037008		THREAD_CUTTER					☆	1	
31		SM0050801SC		SCREW						1	
32		SM0050801SC		SCREW						3	
33		SM4051055SP		SCREW						1	

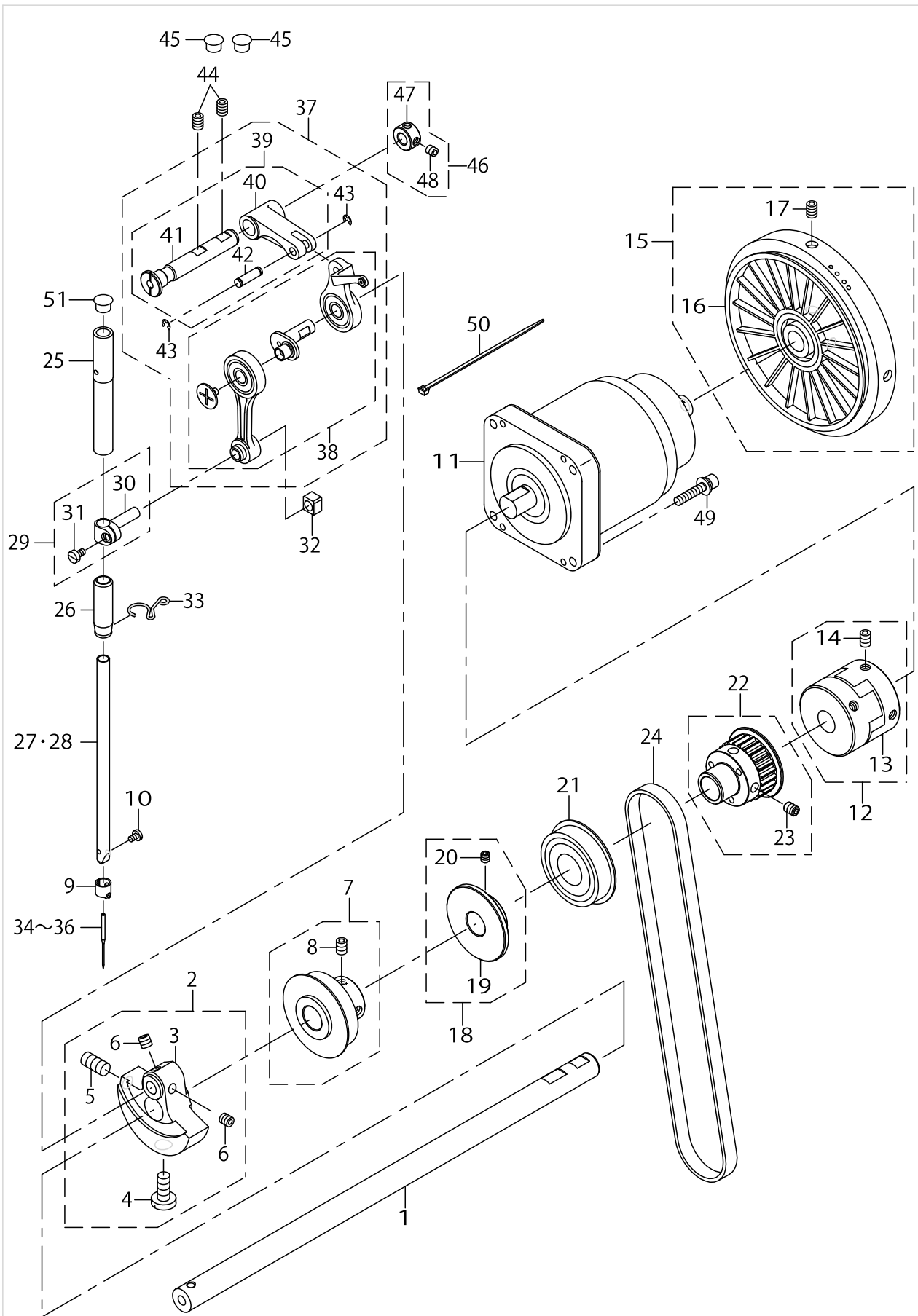
MAIN SHAFT & NEEDLE BAR COMPONENTS



MAIN SHAFT & NEEDLE BAR COMPONENTS

No.	Supply Code	Parts No.	Replacement	Parts name	Remarks	Choice	Step	Level	Cons	Qty	Rep. QTY
1		40086597		MAIN_SHAFT						1	
2		40135904		ASSY_COUNTER WEIGHT						1	
3	R	40135916	40135904	COUNTER WEIGHT				*		1	1.00
4		40004171		COUNTER_WEIGHT_SCREW				*		1	
5		SM8081652TP		SCREW M8 L=16				*		1	
6		SM80606A2TP		6SCREW M6 L=6				*		2	
7		40150011		FRONT_BEARING						1	
8		SM80608A2TP		SCREW M6 L=8				*		2	
9		22906309		NEEDLE BAR THREAD GUIDE						1	
10		SS7080510TP		SCREW 1/8-44 L=4.5					☆	1	
11		40089196		AC SERVO MOTOR						1	
12		40051473		COUPLING ASM.						1	
13		40051474		COUPLING				*		1	
14		SM80608A2TP		SCREW M6 L=8				*		4	
15		40037007		HAND WHEEL ASM.						1	
16		40037006		HAND WHEEL				*		1	
17		SM80608A2TP		SCREW M6 L=8				*		2	
18		40136292		BTW_DRIVING_WHEEL_ASM						1	
19		40136293		BTW_DRIVING_WHEEL				*		1	
20		SM80506A2TP		SCREW M5 L=6				*		2	
21		SB120002700		BEARING						1	
22		40141440		UPPER SPROCKET ASM.						1	
23		SM80608A2TP		SCREW M6 L=8				*		2	
24		40086731		TIMING_BELT_550						1	
25		23608003		NEEDLE BAR METAL UPPER						1	
26		40107707		NEEDLE_BAR_METAL_LOWER						1	
27		22886907		NEEDLE BAR (A)	FOR EE,AA,GG					1	
28		22887004		NEEDLE BAR (B)	FOR BB					1	
29		22906457		NEEDLE BAR HOLDER ASM.						1	
30	R	22906408	22906457	NEEDLERODHOLDER				*		1	1.00
31		SS6090670TP		SCREW 9/64-40 L=6				*		1	
32		40090058		SLIDE BLOCK						1	
33		23626203		NEEDLE BAR THREAD GUIDE						1	
34		MDB100B1100		NEEDLE DBX1 #11	FOR EE,AA				☆	1	
35		MC200500750		NEEDLE 134 NM75	FOR BB				☆	1	
36		MDB100B1400		NEEDLE DBX1 #14	FOR GG				☆	1	
37	R	40135900	40174341	THREAD TAKE UP COMPL.						1	1.00
38	R	40135905	40174341	THREAD_TAKE_UP_ASM_C				*		1	1.00
39		40141165		TAKE_UP_CRANK_ASM				*		1	
40	R	40135906	40174341	TAKE_UP_CRANK				*		1	1.00
41	R	40143184	40174341	TAKE_UP_CRANK_SHAFT				*		1	1.00
42		40135907		THREAD_TAKE_UP_PIN				*		1	
43		RE0300000K0		E-RING 3				*		2	
44		SM80608A2TP		SCREW M6 L=8						2	
45		TA0850604R0		RUBBER PLUG						2	
46		40032269		THRUST COLLAR						1	

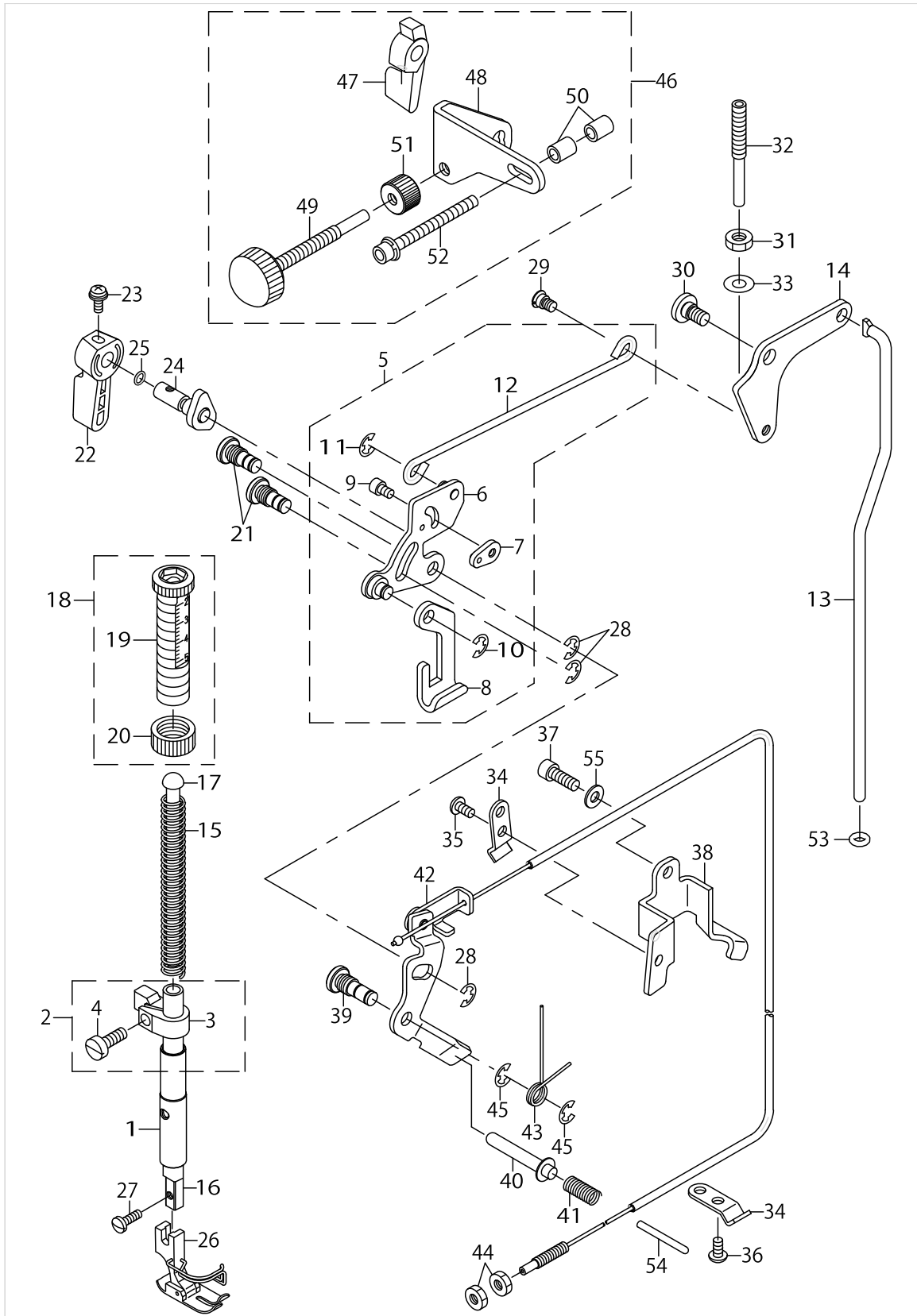
MAIN SHAFT & NEEDLE BAR COMPONENTS



MAIN SHAFT & NEEDLE BAR COMPONENTS

No.	Supply Code	Parts No.	Replacement	Parts name	Remarks	Choice	Step	Level	Cons	Qty	Rep. QTY
47		CS1000881TP		THRUST COLLAR				*		1	
48		SM8050412TP		SCREW M5 L=4				*		2	
49		SL6052592TN		BOLT						4	
50		EA9500B0100		CABLE BAND						2	
51		TA0850604R0		RUBBER PLUG						1	

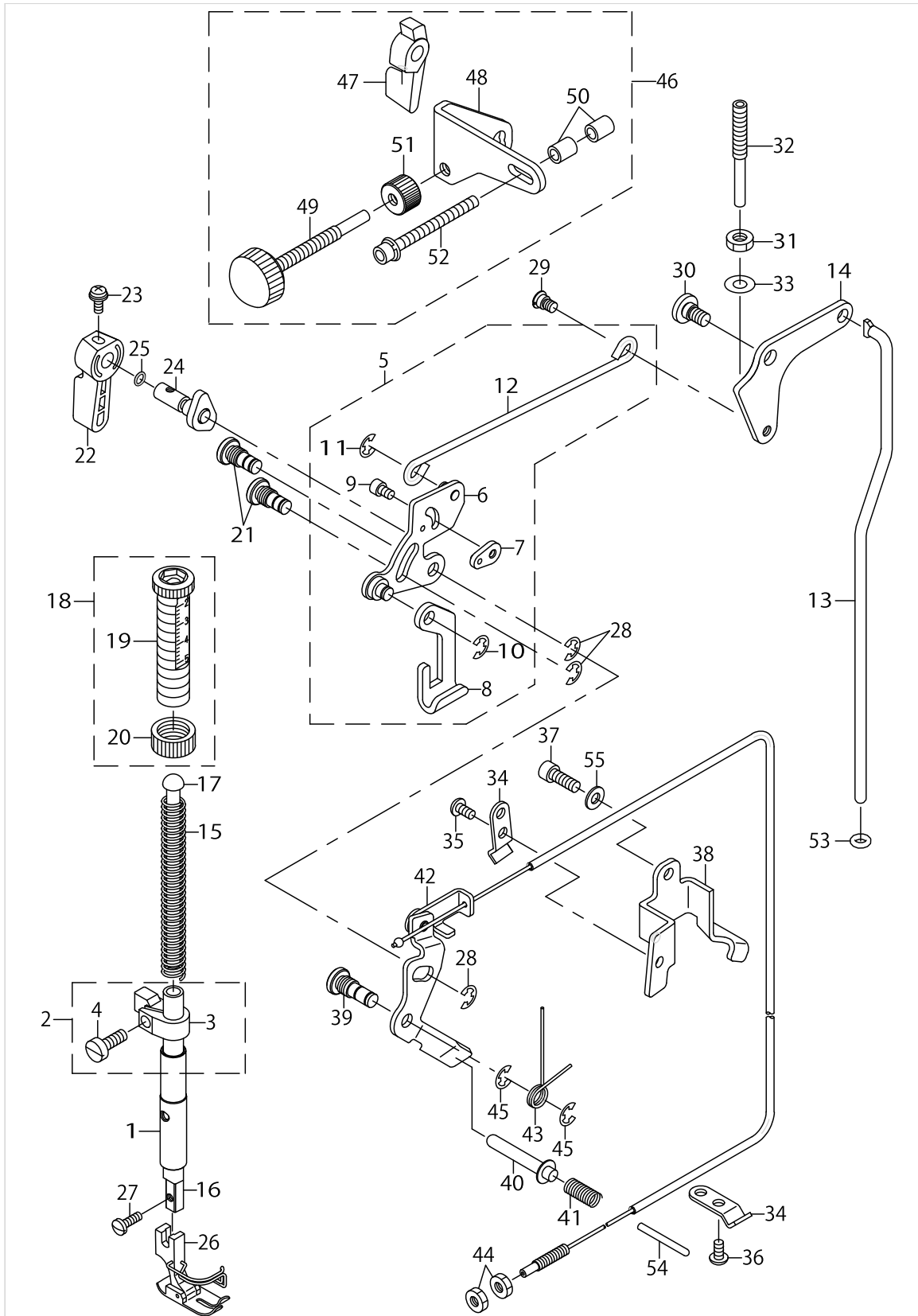
HAND LIFTER & TENSION RELEASE COMPONENTS



HAND LIFTER & TENSION RELEASE COMPONENTS

No.	Supply Code	Parts No.	Replacement	Parts name	Remarks	Choice	Step	Level	Cons	Qty	Rep. QTY
1		40136700		PRESSER_BAR_BUSHING						1	
2		40086606		PRESSER_BAR_GUI- DE_BRACKET_ASM.						1	
3		40086607		PRESSER_BAR_GUIDE_BRACKET				*		1	
4		SM6051400SP		SCREW				*		1	
5		23609357		LIFTING LEVER CO- NNECT ROD_ASM.						1	
6	R	23609456	23609357	LIFTING LINK COMPL.				*		1	1.00
7		23609605		PLATE				*		1	
8	R	22908008	22908354	LIFTING PLATE		A	DDL-5550 5550N 555- ON-7 5556- N-7 5600NL-7	*		1	1.00
8	R	22908008	23609357	LIFTING PLATE		B	DDL-9000A 9000B	*		1	1.00
8	R	22908008	40057398	LIFTING PLATE		C	LH-3500	*		1	1.00
8	R	22908008	40174387	LIFTING PLATE		D	DDL-9000C	*		1	1.00
9		SM6040602TP		SCREW M4 L=6				*		1	
10		RE0500000K0		E-RING				*		1	
11		RE0500000K0		E-RING				*		1	
12	R	23609308	23609357	LIFTING LEVER CONNECT ROD				*		1	1.00
13		40086760		CONNECTING ROD						1	
14		23609704		LIFTING LEVER LINK						1	
15		22907406		PRESSER SPRING						1	
16		23610207		PRESSER BAR						1	
17		23610306		PRESSER GUIDE BAR						1	
18		40037359		PRESSER SPRING REGURATOR_ASM.						1	
19	R	40037141	40037359	PRESSER SPRING REGULATOR				*		1	1.00
20	R	40037144	40037359	PRESSER SPRING REGULATOR NUT				*		1	1.00
21		40050583		LINK SHAFT						2	
22		22907802		HAND LIFTER						1	
23		B1521555000		SCREW						1	
24		22908552		HAND LIFTER CAM_ASM.						1	
25		RO037180100		RUBBER RING						1	
26		B15240120BA		PRESSER FOOT_ASM.						1	
27		SS7091110TP		SCREW 9/64-40 L=10.5						1	
28		RE0500000K0		E-RING						3	
29		22908909		HINGE SCREW						1	
30		40082078		SHOULDER SCREW D=7.24 H=3.3						1	
31	R	NM6060003SE	NM6060003SC	NUT FOR BRACKET						1	1.00
32		40036706		ADJUSTING SCREW						1	
33		WP0621016SD		WASHER 6.2X13X1						1	
34		22944508		WIRE PRESSER A						2	
35		SM4040855SP		SCREW						1	
36		SM4040855SP		SCREW						1	
37		SM6051402TP		SCREW M5X0.8 L=14						1	
38		40086643		WIRE HOLDER						1	
39		40050582		TENSION RELEASE SHAFT						1	
40		22920300		THREAD RELEASE SUPPORTING PIN						1	

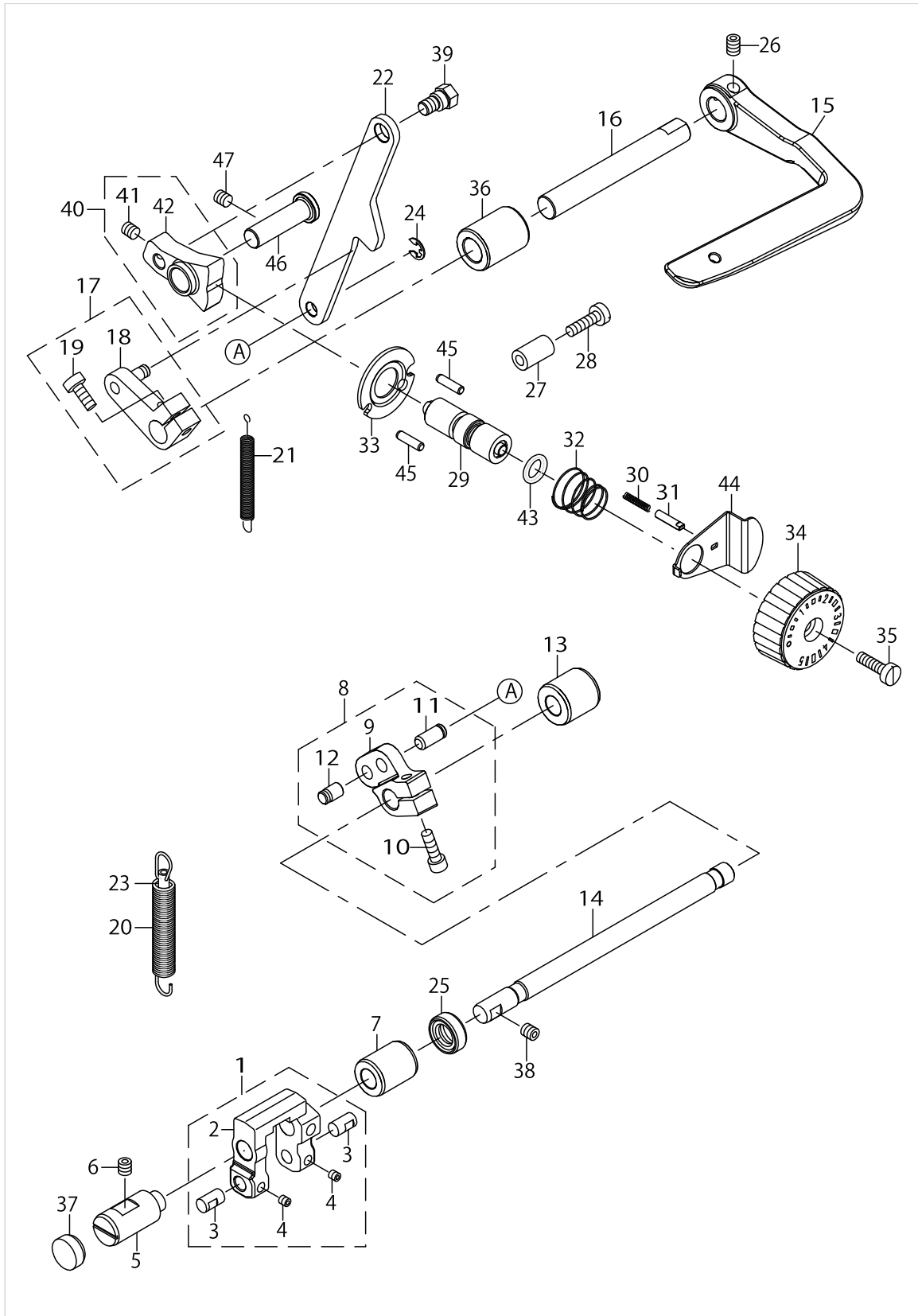
HAND LIFTER & TENSION RELEASE COMPONENTS



HAND LIFTER & TENSION RELEASE COMPONENTS

No.	Supply Code	Parts No.	Replacement	Parts name	Remarks	Choice	Step	Level	Cons	Qty	Rep. QTY
41		22920409		THREAD RELEASE PIN SPRING						1	
42		23626351		THREAD TENSION RELEASE WIRE						1	
43		23626807		TENSION RELEASE RETURN SPRING						1	
44		NS6620310SP		NUT 3/16-32						2	
45		RE0500000K0		E-RING						2	
46		40056622		MINUTE LIFTING DEVICE ASM.	OPTIONAL PARTS					1	
47		23611106		HAND LIFTER				*		1	
48		23610504		STOPPER BASE				*		1	
49		23610652		STOPPER SCREW ASM.				*		1	
50		D5119206K0K		SPACER				*		2	
51		23610702		STOPPER SCREW NUT				*		1	
52		SL6053592TN		BOLT				*		1	
53		RO044240100		RUBBER RING						1	
54		B3118552F00		TENSION RELEASING PIN						1	
55		WP0501016SD		WASHER 5X10.5X1						1	

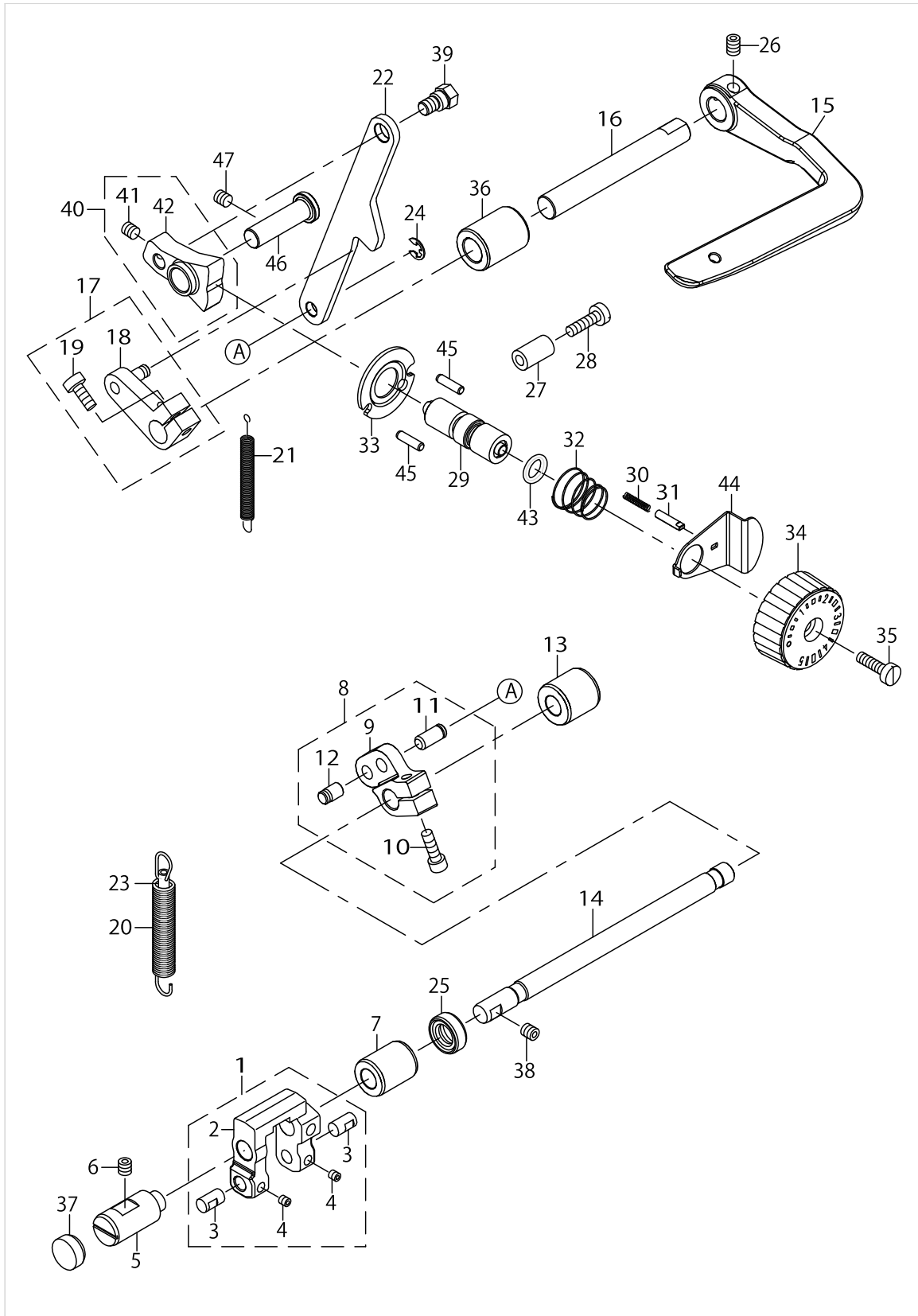
FEED ADJUST MECHANISM COMPONENTS



FEED ADJUST MECHANISM COMPONENTS

No.	Supply Code	Parts No.	Replacement	Parts name	Remarks	Choice	Step	Level	Cons	Qty	Rep. QTY
1		40086735		ADJUSTING_LINK_ASM.						1	
2	R	40086695	40086735	FEED_ADJUSTING_LINK				*		1	1.00
3	R	40086696	40086735	FEED_ADJUSTING_LINK_PIN				*		2	1.00
4		SM80506A2TP		SCREW M5 L=6				*		2	
5		40086608		ADJUSTING_LINK_F-ULCRUM_SHAFT						1	
6		SM80606A2TP		SCREW M6 L=6						1	
7		40086615		FEED_CHANGING_SHAFT_METAL_A						1	
8		40086704		FEED_CHANGING_S-HAFT_ARM_ASM.						1	
9	R	40086705	40086704	FEED_CHANGING_SHAFT_ARM				*		1	1.00
10		SM6051602TP		SCREW M5X0.8 L=16				*		1	
11		22910509		FEED ADJUSTING LINK PIN				*		1	
12		40086706		FEED_CHANGING_SPRING_PIN				*		1	
13		40086616		FEED_CHANGING_SHAFT_METAL_B						1	
14		40086614		FEED_CHANGING_SHAFT						1	
15		40086738		REVERSE_FEED_LEVER						1	
16		23613706		FEED LEVER SHAFT						1	
17		40086674		FEED_LEVER_ARM_ASM.						1	
18		40086675		FEED_LEVER_ARM				*		1	
19		SM6051602TP		SCREW M5X0.8 L=16				*		1	
20		40086737		FEED ADJUSTING SPRING						1	
21		40086739		FEED LEVER SPRING						1	
22		40086609		FEED_ADJUSTING_ROD						1	
23		23630007		TUBE						.1	
24		RE0500000K0		E-RING						1	
25		23612609		FEED CHANGING SHAFT OIL SEAL						1	
26		SM80608A2TP		SCREW M6 L=8						2	
27		22952501		BACK LEVER STOPPER						1	
28		SM6051850TP		SCREW M5 L=18						1	
29		40141842		FEED REGULATOR SCREW						1	
30	R	40123098	40142411	FEED_REGULATOR_PIN_SPRING		A				1	1.00
30	R	40123098	40142412	FEED_REGULATOR_PIN_SPRING		B				1	1.00
31		40161440		FEED_REGULATOR_PIN						1	
32		40141840		REGULATOR STOPPER SPRING						1	
33		40141838		FEED REGULATOR WASHER						1	
34		40141841		REGULATOR PINDIAL						1	
35		SS6121860SP		SCREW 3/16-28 L=18						1	
36		40086617		FEED_LEVER_SHAFT_METAL						1	
37		40086736		RUBBER PLUG						1	
38		SM80606A2TP		SCREW M6 L=6						1	
39		23613409		FEED ADJUSTING PIN						1	
40		40095847		FEED REGULATOR ASM.						1	
41		SM80606A2TP		SCREW M6 L=6				*		1	
42		40122891		FEED_REGULATOR				*		1	
43		RO092270200		RUBBER RING						1	

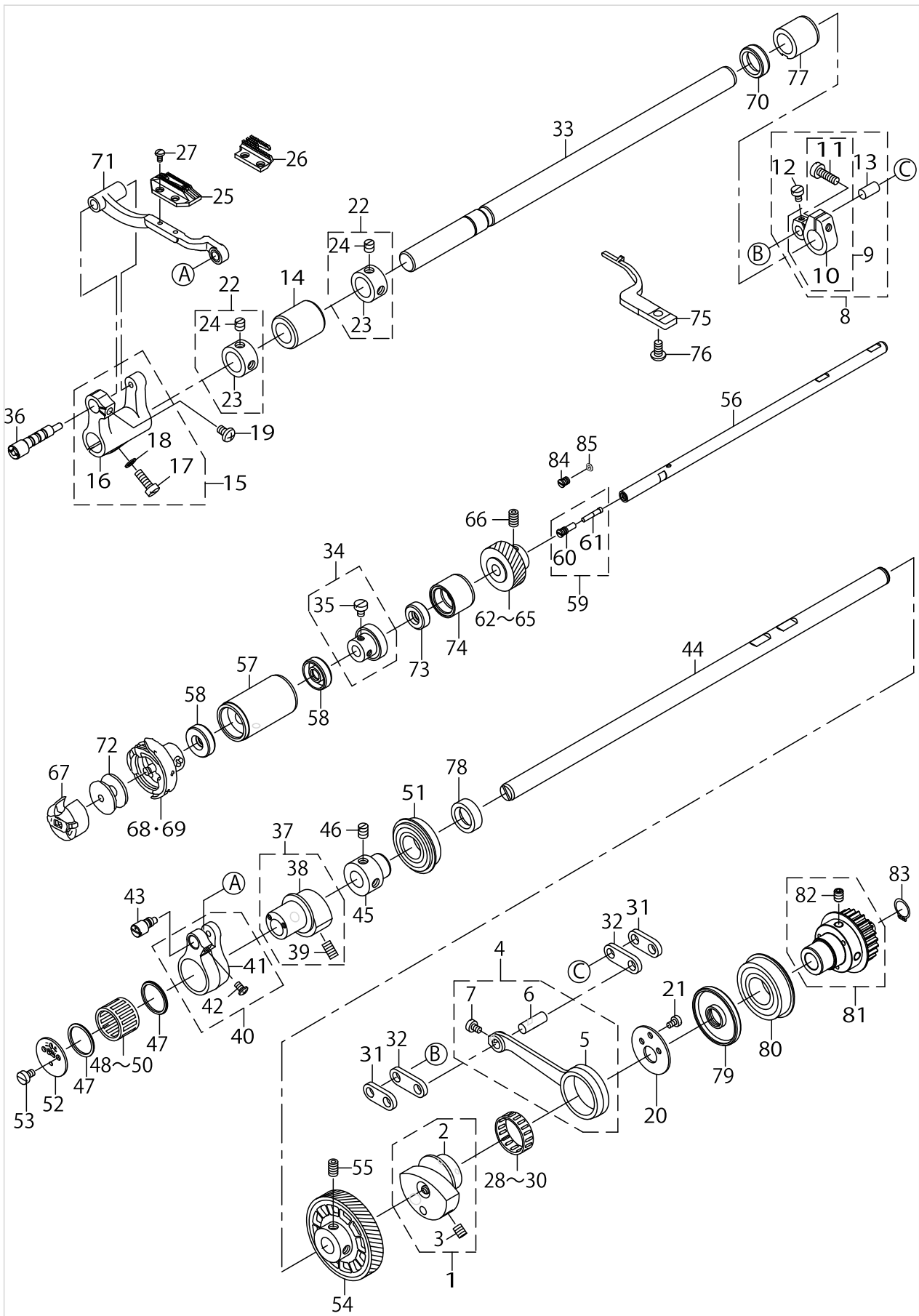
FEED ADJUST MECHANISM COMPONENTS



FEED ADJUST MECHANISM COMPONENTS

No.	Supply Code	Parts No.	Replacement	Parts name	Remarks	Choice	Step	Level	Cons	Qty	Rep. QTY
44		40161441		REGULATOR_PIN_STOPPER						1	
45		40086613		FEED_REGULATOR_STOPPER_PIN						2	
46		40006716		THREAD_TRIMMER_SHAFT						1	
47		SM80606A2TP		SCREW M6 L=6						1	

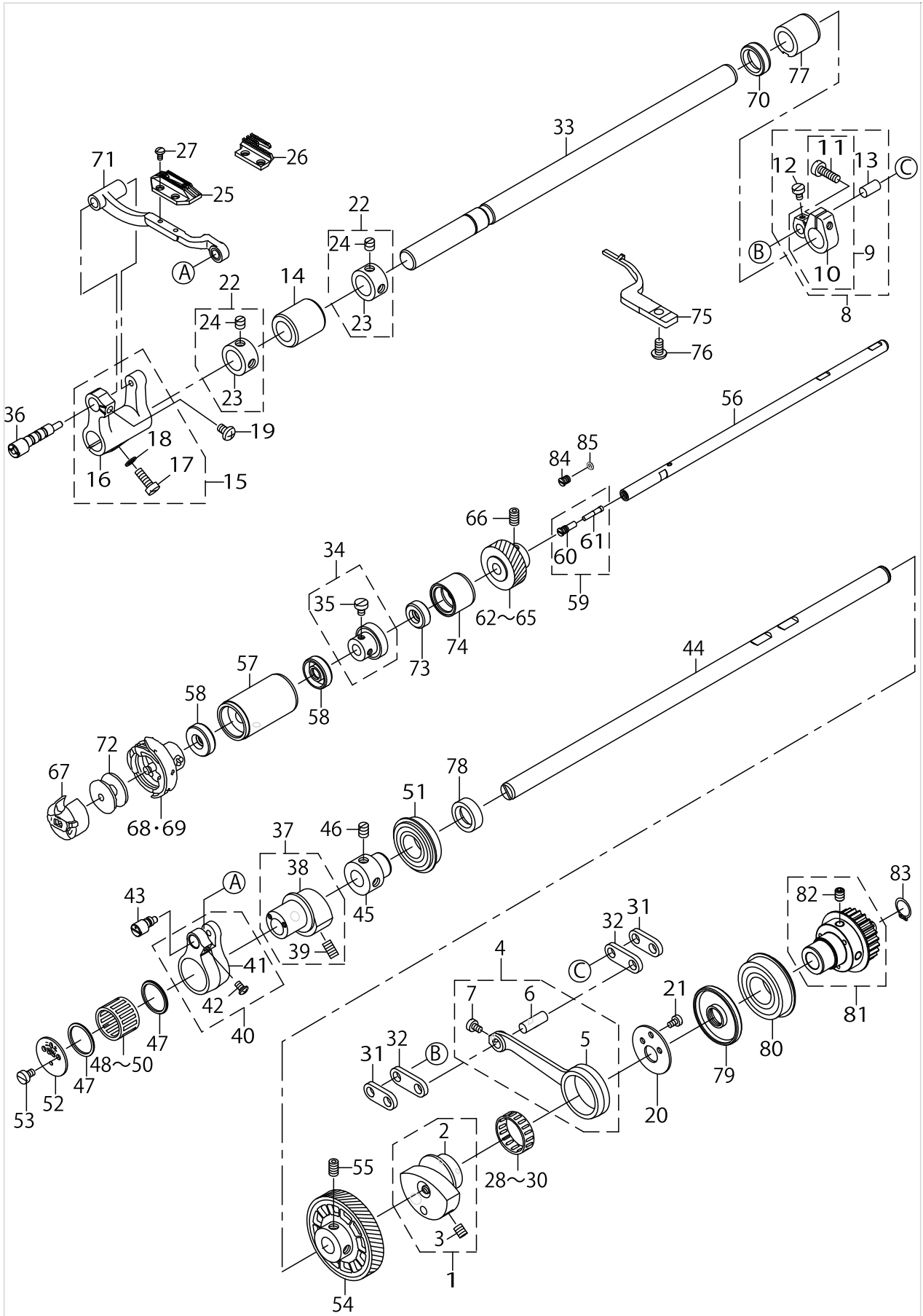
HORIZONTAL FEED, VERTICAL FEED & HOOK DRIVING SHAFT COMPONENTS



HORIZONTAL FEED, VERTICAL FEED & HOOK DRIVING SHAFT COMPONENTS

No.	Supply Code	Parts No.	Replacement	Parts name	Remarks	Choice	Step	Level	Cons	Qty	Rep. QTY
1		40037192		FEED ROCKER CAM ASM.						1	
2		23616006		FEED ROCKER CAM				*		1	
3		SS8150822TP		SCREW 15/64-28 L=8				*		2	
4		40037365		FEED ROCKER ROD ASM.						1	
5		40026277		FEED ROCKER ROD				*		1	
6		22911101		WALKING FOOT PIN C				*		1	
7		SS6090620TP		SCREW				*		1	
8		40061246		FEED ROCKER ARM ALL ASM.						1	
9	R	40058504	40061246	FEED ROCKER ARM ASM.				*		1	1.00
10	R	40042079	40061246	FEED ROCKER ARM				*		1	1.00
11		SS6121610SP		SCREW 3/16-28 L=15.5				*		1	
12		SS6090620TP		SCREW				*		1	
13		22911002		WALKING FOOT PIN B				*		1	
14		23616709		FEED ROCKER SHAFT METAL						1	
15		40037005		ASSY_FEED_ROCKER_BASE_ARM						1	
16		40026281		FEED ROCKER BASE ARM				*		1	
17		SM6051400SP		SCREW				*		1	
18		WP0480856SP		WASHER 4.8X8.4X0.8				*		1	
19		SM4050855SP		SCREW						1	
20		23616204		FEED ROCKER CAM PLATE						1	
21		SS6090670TP		SCREW 9/64-40 L=6						2	
22		22904155		MAIN SHAFT THRU-ST COLLAR ASM.						2	
23	R	22904106	22904155	MAIN SHAFT THRUST COLLAR				*		1	1.00
24		SS8660610TP		SCREW 1/4-40 L=6				*		2	
25		B1613012I00		FEED DOG I	FOR AA,BB,GG					1	
26		23614506		FEED DOG A	FOR EE					1	
27		SS4080620TP		SCREW 1/8-44 L=6						2	
28		B412352200A		NEEDLE BEARING	SELECTIVE PARTS					1	
29		B412352200B		NEEDLE ROLLAR	SELECTIVE PARTS					1	
30		B412352200C		NEEDLE ROLLAR	SELECTIVE PARTS					1	
31		40026278		CONNECTING LINK A						2	
32		23616402		CONNECTING LINK B						2	
33		23616600		FEEDROCKERSHAFT						1	
34		40086743		BEARING SUPPORT ASM.						1	
35		SS6110710TP		SCREW 11/64-40 L=6.5				*		2	
36		40026282		FEED ROCKER BASE SHAFT						1	
37		40000391		VERTICAL FEED CAM ASM. 5						1	
38	R	40000392	40000391	VERTICAL FEED CAM 5				*		1	1.00
39		SS8151150TP		SCREW 15/64-28 L=10.5				*		2	
40		40053720		FEED DRIVING BASE ARM ASM.						1	
41	R	40026287	40053720	FEED DRIVING BASE ARM				*		1	1.00
42		SM4040655SP		SCREW M4 L=6				*		1	
43		40026288		FEED DRIVING BASE SHAFT						1	
44		40086757		FEED DRIVING SHAFT						1	
45		40086690		FEED_DRIVING_BEARING_SUPPORT						1	
46		SS8661012TP		SCREW						2	

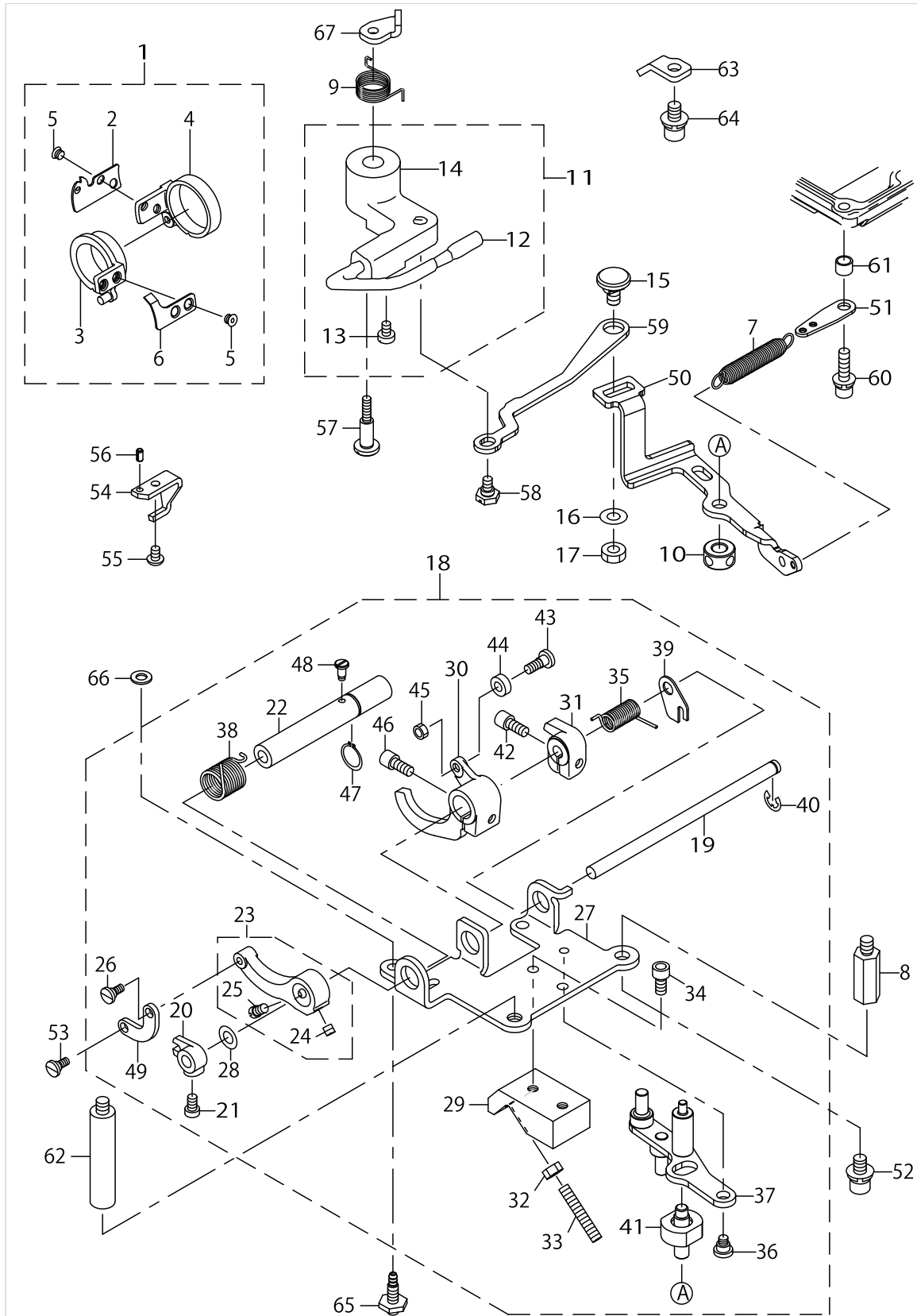
HORIZONTAL FEED, VERTICAL FEED & HOOK DRIVING SHAFT COMPONENTS



HORIZONTAL FEED, VERTICAL FEED & HOOK DRIVING SHAFT COMPONENTS

No.	Supply Code	Parts No.	Replacement	Parts name	Remarks	Choice	Step	Level	Cons	Qty	Rep. QTY
47		23618101		FEED DRIVING CAM THRUST BUSH						2	
48		SB32000060A		BEARING	SELECTIVE PARTS					1	
49		SB32000060B		BEARING	SELECTIVE PARTS					1	
50		SB32000060C		BEARING	SELECTIVE PARTS					1	
51		SB117001200		BEARING						1	
52		23618309		FEED DRIVING CAM PLATE						1	
53		SS6090670TP		SCREW 9/64-40 L=6						2	
54		23620503		GEAR (LARGE)						1	
55		SS8661012TP		SCREW						2	
56		23620008		HOOK SHAFT						1	
57		23620156		HOOK SHAFT METAL COMPL.						1	
58		40145927		OIL SEAL						2	
59		22916555		OILSEALSCREWASM.						1	
60		22916506		SET SCREW				*		1	
61		11015906		OIL WICK				*		1	
62		23620701		GEAR (SMALL)(A)	SELECTIVE PARTS					1	
63		23620800		GEAR (SMALL)(B)	SELECTIVE PARTS					1	
64		23620909		GEAR (SMALL)(C)	SELECTIVE PARTS					1	
65		23621006		GEAR (SMALL)(D)	SELECTIVE PARTS					1	
66		SS8661012TP		SCREW						2	
67		11038759		BOBBIN CASE ASM.					☆	1	
68		11141355		HOOK ASM.	FOR BB				☆	1	
69		11038650		HOOK ASM.	FOR AA,EE,GG				☆	1	
70		40086740		OIL SEAL						1	
71		40030786		FEED BASE COMPL.						1	
72		22964001		BOBBIN A					☆	1	
73		40086744		HOOK DRIVING SHAFT OIL SEAL						1	
74		23620404		HOOK SHAFT REAR METAL						1	
75		40089607		INNER_HOOK HOLDER						1	
76		SM4051055SP		SCREW						1	
77		40086618		FEED_SHAFT_REAR_METAL						1	
78		40086741		OIL SEAL						1	
79		40086742		OIL SEAL						1	
80		SB120001800		BEARING						1	
81		40141443		UNDER SPROCKET ASM.						1	
82		SM80608A2TP		SCREW M6 L=8				*		2	
83		RC1200001KP		C-SHAPED SNAP RING						1	
84		11079506		FRONT SCREW	OPTIONAL PARTS					1	
85		RO036080200		RUBBER RING	OPTIONAL PARTS					1	

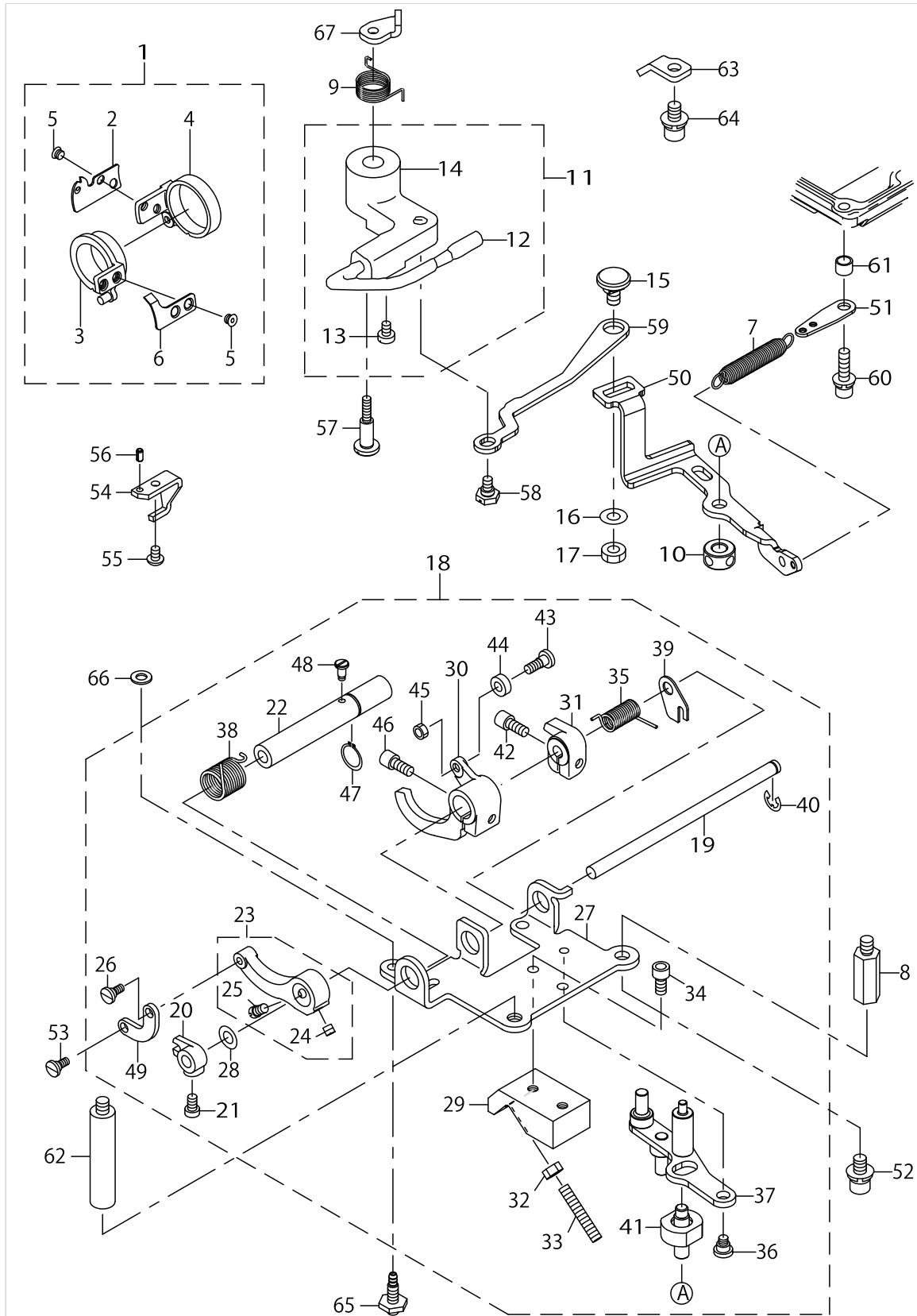
THREAD TRIMMER COMPONENTS (1)



THREAD TRIMMER COMPONENTS (1)

No.	Supply Code	Parts No.	Replacement	Parts name	Remarks	Choice	Step	Level	Cons	Qty	Rep. QTY
1		40067412		KNIFE UNIT						1	
2		11497302		THREAD HAUL KNIFE				*		1	
3		40067413		KNIFE BASE ASM.				*		1	
4		11497104		LOOP SPREADING BASE				*		1	
5		11420601		SCREW				*		4	
6		11420106		THREAD CUTTER KNIFE				*		1	
7		11091204		ADJUST LINK SPRING						1	
8		40016706		OIL_TANK_STUD_B						1	
9		40029398		PICKER SPRING						1	
10		40010434		THRUST_COLLAR_ASM						1	
11		40066590		ASSY PICKER ARM						1	
12		40036997		ASSY_PICKER				*		1	
13		SS6090670TP		SCREW 9/64-40 L=6				*		2	
14		40066591		PICKER ARM				*		1	
15		22950000		PICKER LINK PIN						1	
16		WP0621016SH		WASHER						1	
17		NS6150310SP		NUT 15/64-28						1	
18		40113199		THREAD_CUTTER_D- RIVING_UNIT_MS_PBN						1	
19		11420700		THREAD CUTTER KNIFE SHAFT				*		1	
20		11421500		KNIFE DRIVING ARM				*		1	
21		SS7110740TP		SCREW 11/64-40 L=7				*		1	
22		11420809		LOOP SPREADING SHAFT				*		1	
23		40060792		LOOP SPREADING ARM ASM.				*		1	
24		SS8110410TP		SCREW 11/64-40 L=3.5				*		1	
25		SS6110710TP		SCREW 11/64-40 L=6.5				*		1	
26		SD0500251SP		HINGE SCREW D=5 H=2.5				*		1	
27		40113200		BASE_PLATE_MS_PBN				*		1	
28		WP0651056SH		WASHER 6.5X11X1				*		1	
29		40060799		STOPPER BLOCK				*		1	
30		11421104		LOOP SPREADING ARM				*		1	
31		11421203		KNIFE DRIVING STITCH TONGUE				*		1	
32		NM6050001SD		NUT M5X0.8				*		2	
33		SM8053002TP		SCREW M5 L=30				*		2	
34		SM6051002TP		SCREW M5X0.8 L=10				*		2	
35		40062180		KNIFE RETURN SPRING				*		1	
36		SD0640321TP		HINGE SCREW D=6.35 H=3.2				*		1	
37		40082582		CLUTCH PLATE ASM.				*		1	
38		40066592		LOOP SPREAD SPRING				*		1	
39		11421708		SPRING HOOK				*		1	
40		RE0500000K0		E-RING				*		1	
41		40082588		CLUTCH PLATE SHAFT				*		1	
42		SS6621212TP		SCREW 3/16-32 L=12.0				*		1	
43		SD0500402SP		HINGESCREWD=5H=4				*		1	
44		D2422530D00		CAM ROLLER				*		1	
45		NS6110310SP		NUT 11/64-40				*		1	
46		SS6621212TP		SCREW 3/16-32 L=12.0				*		1	

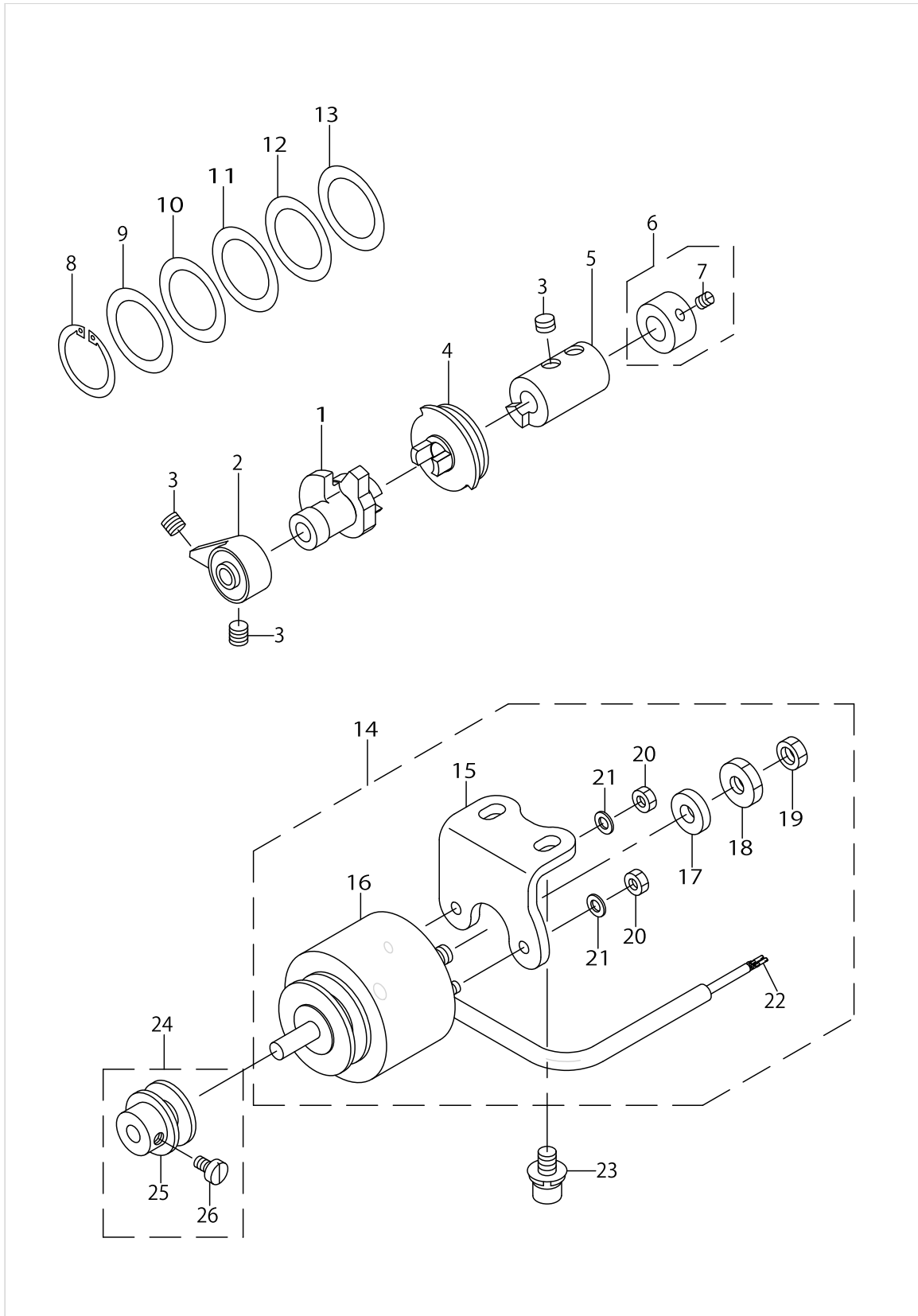
THREAD TRIMMER COMPONENTS (1)



THREAD TRIMMER COMPONENTS (1)

No.	Supply Code	Parts No.	Replacement	Parts name	Remarks	Choice	Step	Level	Cons	Qty	Rep. QTY
47		RC1200001KP		C-SHAPED SNAP RING				*		1	
48		SD0380551SL		HINGE SCREW D=3.80 H=5.5				*		1	
49		11421401		LOOP SPREADING CONNECTING LINK				*		1	
50		40082583		TENSION RELEASING LEVER						1	
51		40082585		LEVER SPRING HOOK						1	
52		SL6061292TN		SCREW						2	
53		SD0500251SP		HINGE SCREW D=5 H=2.5						1	
54		40066602		KNIFE DRIVING ARM STOPPER						1	
55		SM4040655SP		SCREW M4 L=6						1	
56		PS0300062KH		SPRING PIN 3X6						1	
57		SD0641456TP		SHOULDER SCREW D=6.35 H=14.5						1	
58		SD0630275SP		HINGE SCREW D=6.35 H=2.7						1	
59		40082584		PICKER LINK						1	
60		SL6052092TN		SCREW						1	
61		22956809		WIPER COLLAR						1	
62		40100135		STUD BOLT						1	
63		40060801		STOPPER PLATE						1	
64		SL6061292TN		SCREW						1	
65		40082589		BASE PLATE SCREW						1	
66		WP0531001SC		WASHER M5						1	
67		40062168		PICKER SPRING HOOK						1	

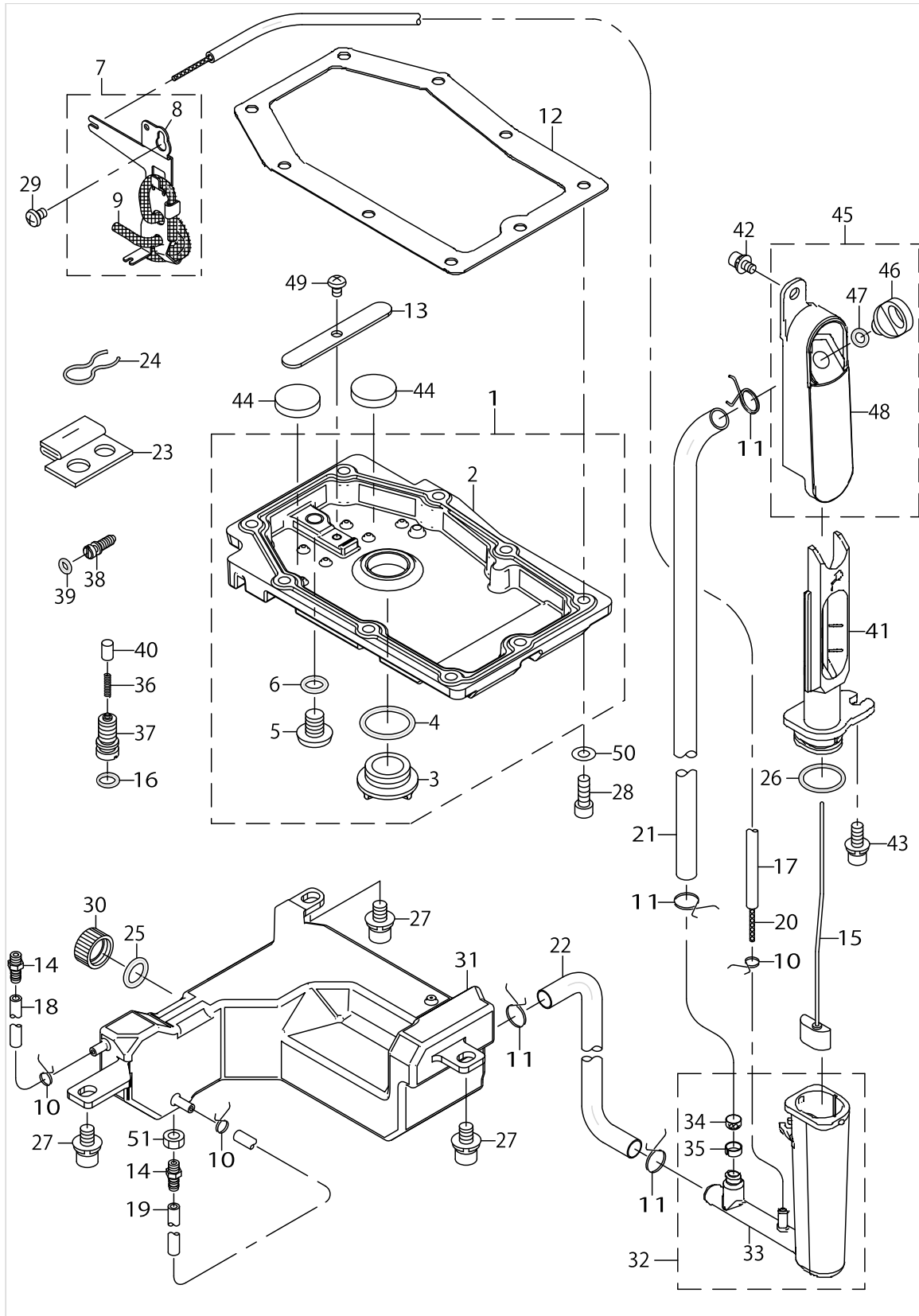
THREAD TRIMMER COMPONENTS (2)



THREAD TRIMMER COMPONENTS (2)

No.	Supply Code	Parts No.	Replacement	Parts name	Remarks	Choice	Step	Level	Cons	Qty	Rep. QTY
1		40113201		THREAD_CUTTER_CAM_MS_PBN						1	
2		11419405		SAFETY CAM						1	
3		SS8660612TP		SCREW 1/4-40 L=6						4	
4		40113204		CLUTCH_MS_PBN						1	
5		11419207		THREAD CUTTER D- RIVING COLLAR						1	
6		22950950		CAM COLLAR ASM.						1	
7		SS8110520TP		SCREW 11/64-40 L=4.5				*		1	
8		RC2651218KP		RETAINING RING						1	
9		11419603		THRUST COLLAR B						1	
10		11419504		THRUST COLLAR A						1	
11		11419702		THRUST COLLAR C						1	
12		11419801		THRUST COLLAR D						1	
13		11419900		THRUST COLLAR E						1	
14		40060794		SOLENOID ASM.						1	
15		40060791		SOLENOID BASE				*		1	
16		40089263		THREAD TRIMMER SOLENOID				*		1	
17		11043304		SOLENOID RUBBER				*		1	
18		NS6660410SH		NUT				*		1	
19		NS6660430SP		NUT 1/4-40				*		1	
20		NM6040000SN		NUT M4				*		2	
21		WP0430800SC		WASHER M4				*		2	
22		HK03464000B		PIN CONTACT				*		2	
23		SL6061292TN		SCREW						2	
24		23624554		DRIVING BLOCK ASM.						1	
25		23624505		DRIVING BLOCK				*		1	
26		SS6110710TP		SCREW 11/64-40 L=6.5				*		1	

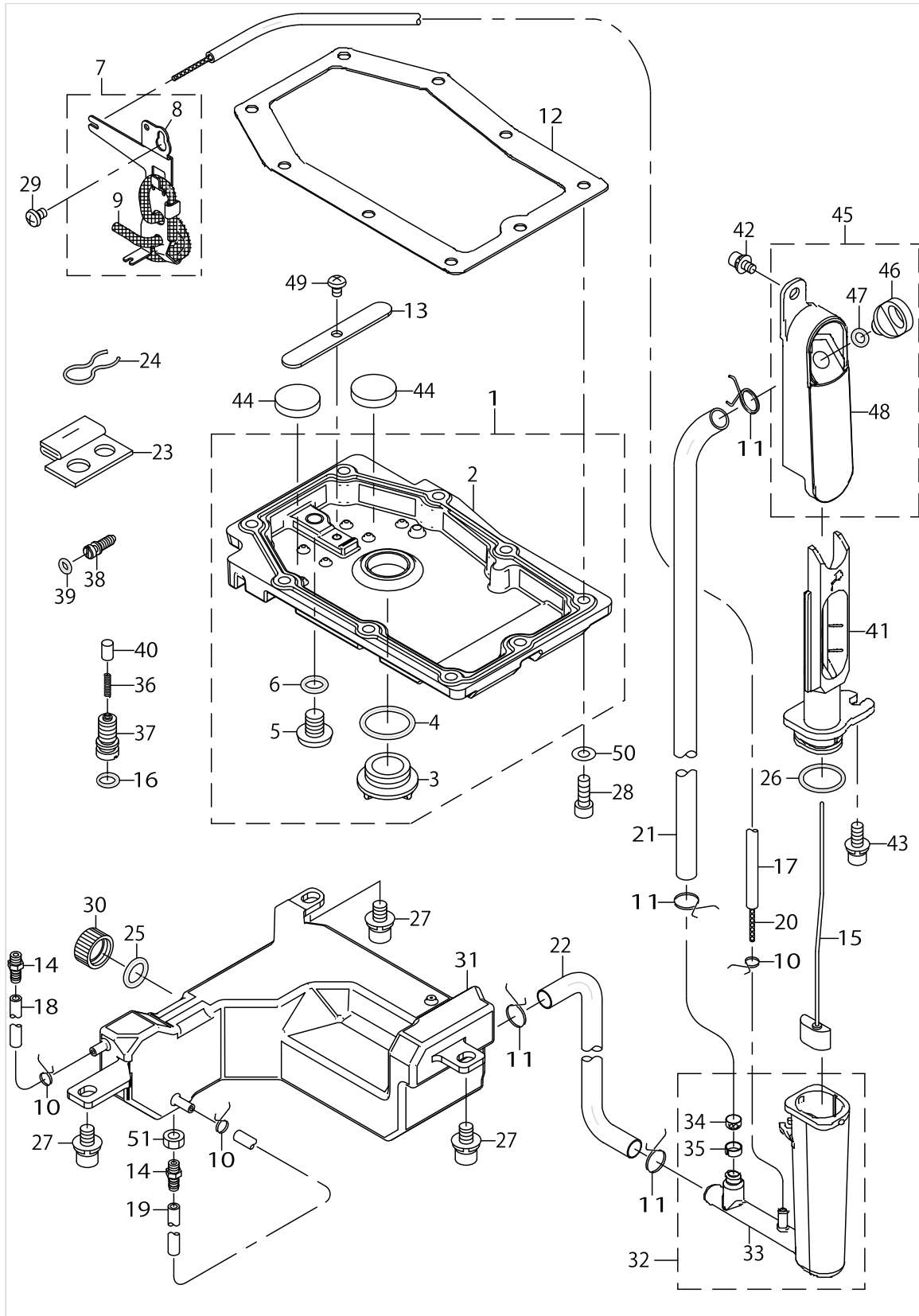
OIL LUBRICATION COMPONENTS



OIL LUBRICATION COMPONENTS

No.	Supply Code	Parts No.	Replacement	Parts name	Remarks	Choice	Step	Level	Cons	Qty	Rep. QTY
1		40082059		GEAR BOX COVER ASM.						1	
2		40135639		GEAR_BOX_COVER				*		1	
3		40034246		OIL_SIGHT_WINDOW				*		1	
4		RO195240100		RUBBER RING				*		1	
5	R	13171004	SM0081001SD	DRAIN SCREW				*		1	1.00
6		13170105		RUBBER RING				*		1	
7		23629256		OIL WICK SUPPORT ASM.						1	
8	R	23629207	23629256	OIL WICK SUPPORT				*		1	1.00
9		CQ250000001		OIL WICK				*		0.25	
10		23629306		PIPE STOPPER A						3	
11		23629405		PIPE STOPPER B						4	
12		40037166		GEAR BOX PACKING						1	
13		40135640		MAGNET HOLDER						1	
14		SQ2050453MZ		CONNECTING SCREW						2	
15		40086648		FLOATER_ASM.						1	
16		RO068190100		RUBBER RING						1	
17		23630007		TUBE						.57	
18		23630007		TUBE						.08	
19		23630007		TUBE						.11	
20		CQ200000001		OIL WICK						.75	
21		23630106		TUBE B						.165	
22		23630106		TUBE B						.2	
23		40075404		FACE FELT ASM.						1	
24		22925101		OIL FELT PRESSER						1	
25		RO098240100		RUBBER RING						1	
26		RO172180100		RUBBER RING						1	
27		SL6061292TN		SCREW						3	
28		SM6051402TP		SCREW M5X0.8 L=14						9	
29		SM5040655SN		SCREW						1	
30		40013595		OIL_EXIT_CAP						1	
31		40098329		OIL_TANK						1	
32		40086646		FLOATER_CASE_ASM.						1	
33		40086647		FLOATER_CASE				*		1	
34	R	23630403	23630650	OIL FILTER				*		1	1.00
35	R	23630502	23630650	OIL FILTER STOPPER				*		1	1.00
36		23628902		PLUNGER SPRING						1	
37		40038328		PLUNGER SCREW						1	
38		40037502		OIL ADJUSTING SCREW						1	
39		RO037180100		RUBBER RING						1	
40		23628803		PLUNGER						1	
41		40086693		FROATER_CASE_GUIDE						1	
42		SL6040892TN		BOLT						1	
43		SL6051492TN		BOLT						1	
44		B8228125000		OIL RESERVOIR MAGNET						2	
45		40149785		ASSY_FLOATER_SIGHT_WINDOW_B						1	
46		40000344		LUBRICATING INLET CAP				*		1	

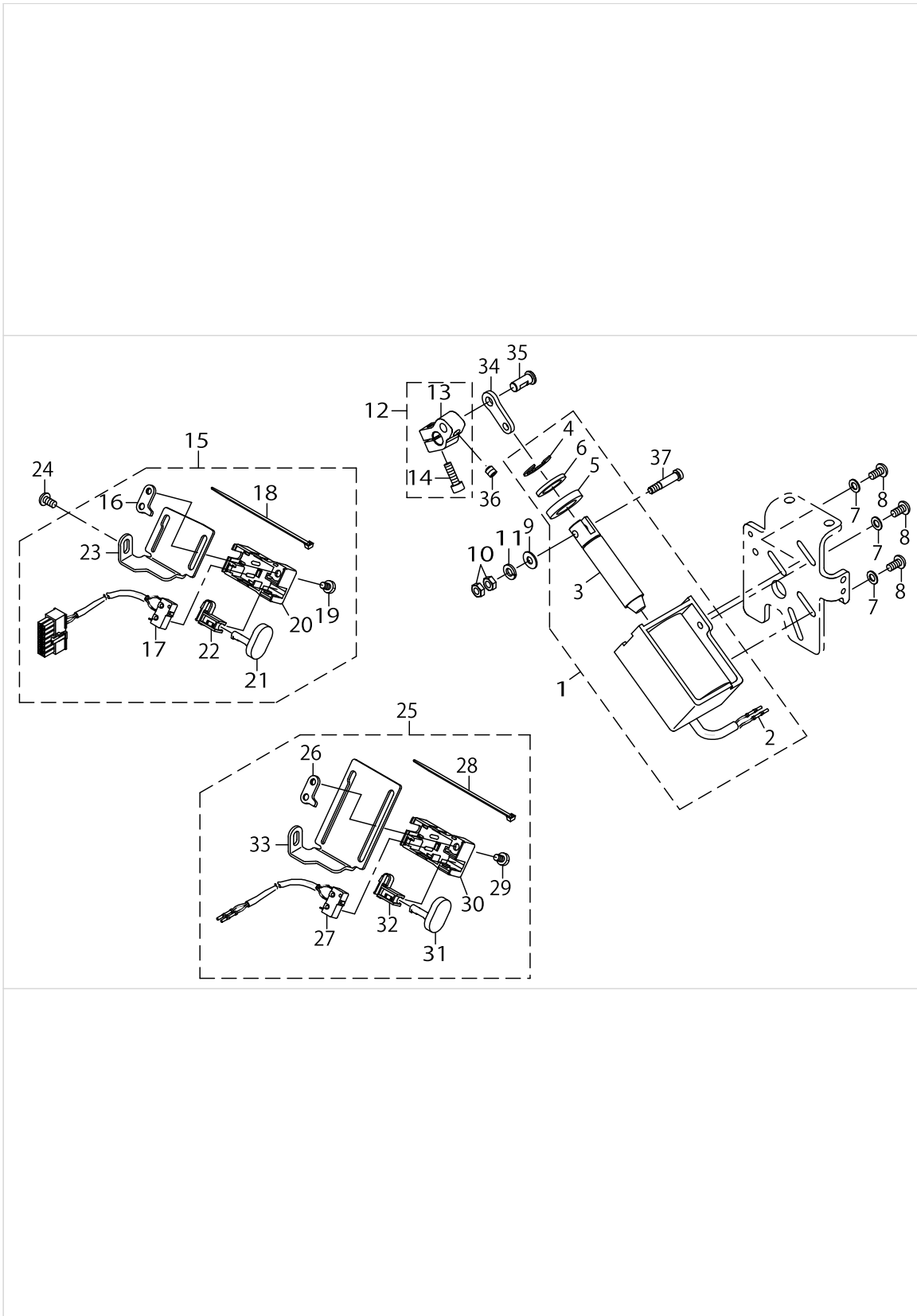
OIL LUBRICATION COMPONENTS



OIL LUBRICATION COMPONENTS

No.	Supply Code	Parts No.	Replacement	Parts name	Remarks	Choice	Step	Level	Cons	Qty	Rep. QTY
47		RO048190100		RUBBER RING				*		1	
48		40086697		FLOATER_SIGHT_WINDOW_B				*		1	
49		SM4040601SC		SCREW M4X0.7 L=6						1	
50		WP0501016SD		WASHER 5X10.5X1						9	
51		NM6050001SC		NUT M5X0.8 TYPE1						1	

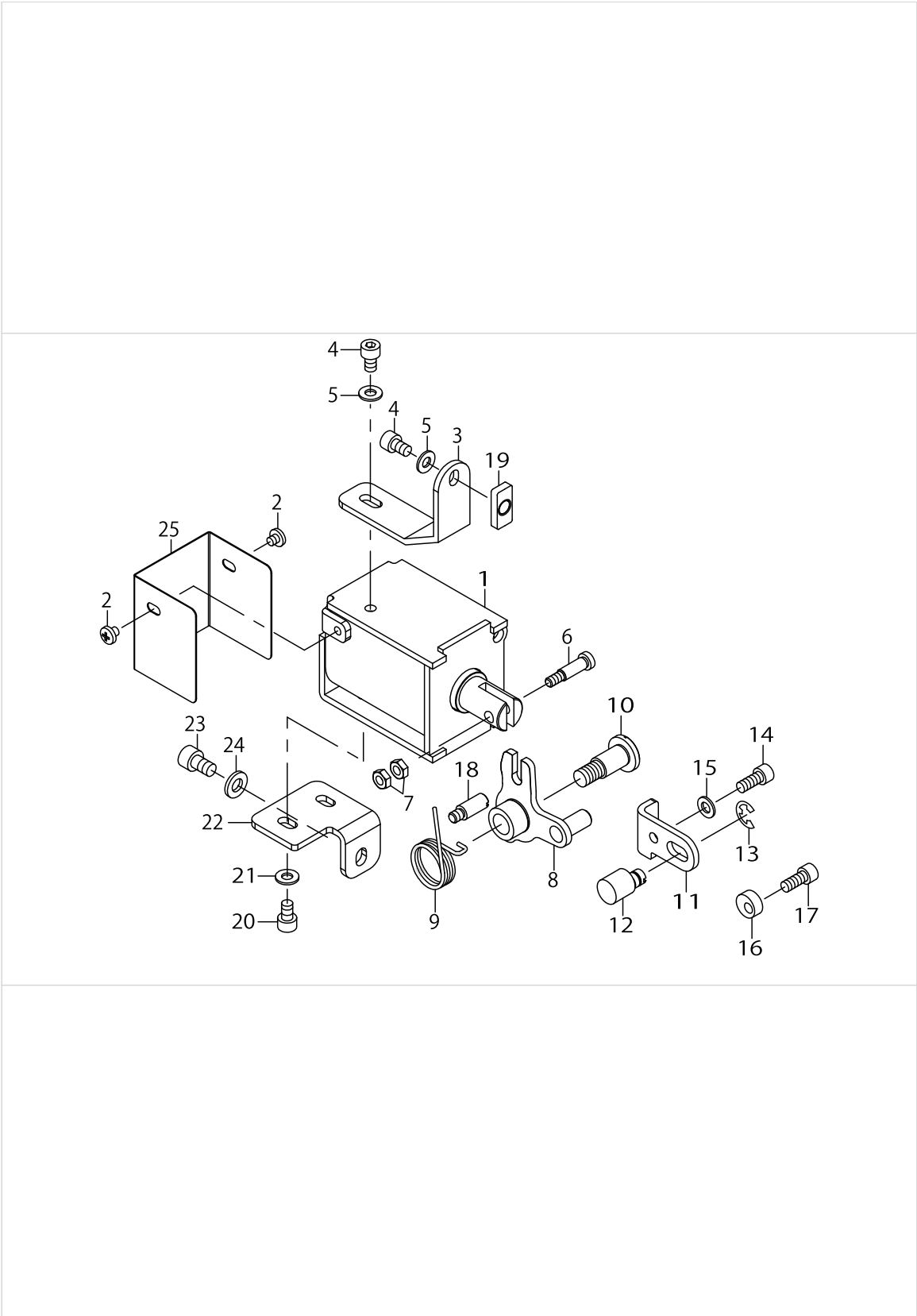
AUTOMATIC REVERSE FEED COMPONENTS



AUTOMATIC REVERSE FEED COMPONENTS

No.	Supply Code	Parts No.	Replacement	Parts name	Remarks	Choice	Step	Level	Cons	Qty	Rep. QTY
1		40086750		REVERSE FEED SOLENOID ASM.						1	
2		HK03464000B		PIN CONTACT				*		2	
3		40086753		REVERSE FEED SOLENOID PLUNGER				*		1	
4		RE1200000K0		E-RING 12				*		1	
5		D2468555B00		RUBBER PLUNGER				*		1	
6		WP1602616SZ		WASHER 16X24X2.6				*		1	
7		WP0550800SP		WASHER 5.5X10X0.8						3	
8		SM4051055SP		SCREW						3	
9		WP0551016SH		WASHER 5.5X13X1						1	
10		NM6050001SP		NUT M5						2	
11		WS0610002KN		SPRING WASHER 6.1X12.2X1.5						1	
12		40095844		REVERSE FEED ARM ASM.						1	
13		40086698		REVERSE_FEED_ARM				*		1	
14		SM6051602TP		SCREW M5X0.8 L=16				*		1	
15		23631757		REVERSE FEED SWITCH ASM.						1	
16		23632102		REVERSE FEED SWITCH BASE GUIDE				*		1	
17	R	23632359	23631757	REVERSE FEED CORD ASM.				*		1	1.00
18		EA9500B0100		CABLE BAND				*		1	
19		SS7110740TP		SCREW 11/64-40 L=7				*		1	
20		23631708		REVERSE FEED SWITCH COVER				*		1	
21		23631807		REVERSE FEED SWITCH SHAFT				*		1	
22		23631906		REVERSE FEED SWITCH SUPPORT				*		1	
23	R	23632003	23631757	REVERSE FEED SWITCH BASE				*		1	1.00
24		SM4051055SP		SCREW						1	
25		23632656		OPTIONSWITCHASM.	OPTIONAL PARTS					1	
26		23632102		REVERSE FEED SWITCH BASE GUIDE				*		1	
27		23632250		REVERSE FEED CORD ASM.				*		1	
28		EA9500B0100		CABLE BAND				*		1	
29		SS7110740TP		SCREW 11/64-40 L=7				*		1	
30		23631708		REVERSE FEED SWITCH COVER				*		1	
31		23631807		REVERSE FEED SWITCH SHAFT				*		1	
32		23631906		REVERSE FEED SWITCH SUPPORT				*		1	
33		23632607		OPTION SWITCH BASE				*		1	
34		40086655		REVERSE_FEED_CONNECTION_LINK						1	
35		40086699		REVERSE_FEED_LINK_PIN						1	
36		SM8480652TP		SCREW						1	
37		40086759		BACK_SOLENOID_PLUNGER_PIN						1	

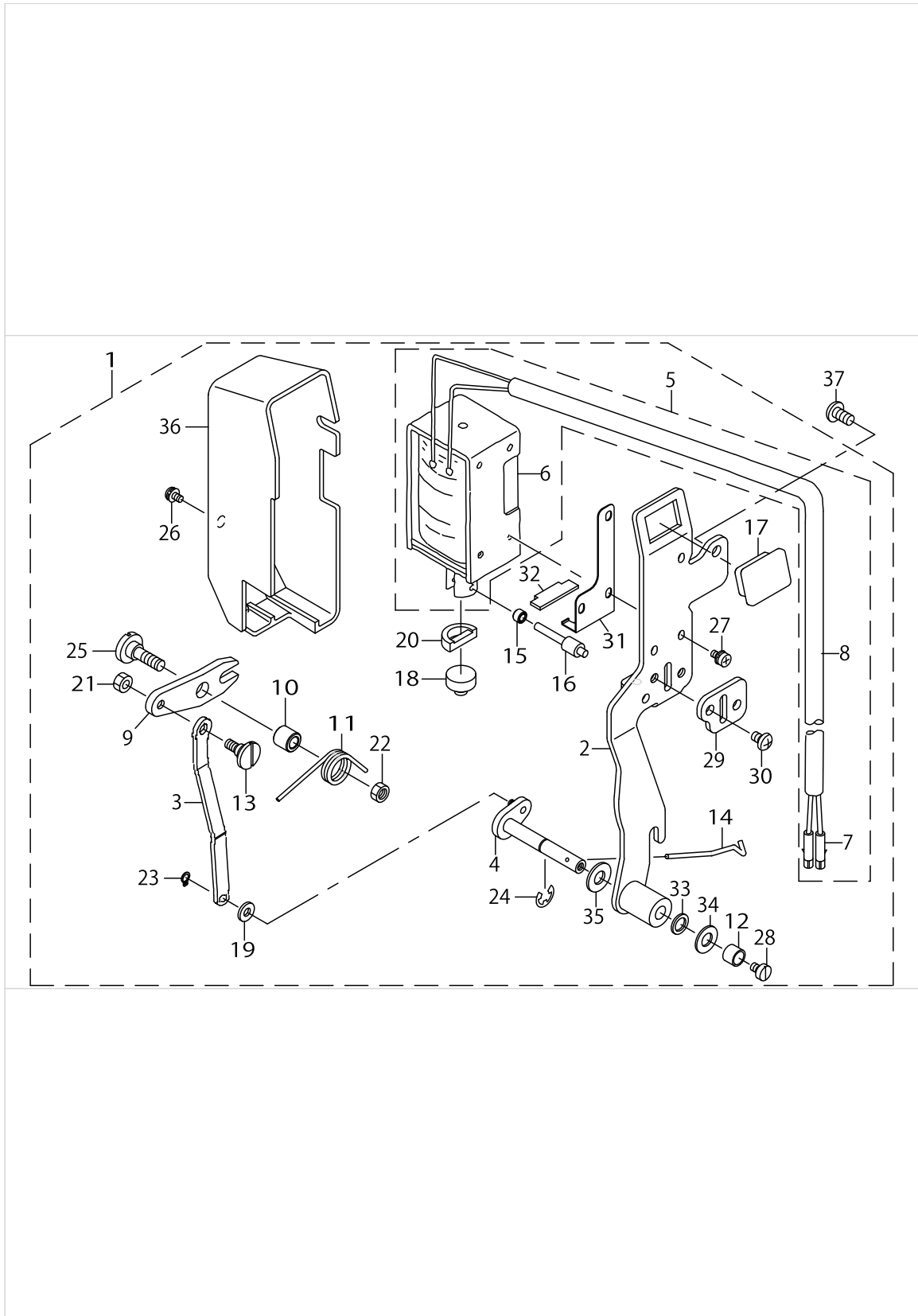
CONDENSE COMPONENTS



CONDENSE COMPONENTS

No.	Supply Code	Parts No.	Replacement	Parts name	Remarks	Choice	Step	Level	Cons	Qty	Rep. QTY
1		40100043		CONDENSE_SOLENOID_ASM.						1	
2		SM5040401SE		SCREW M4 L=4						2	
3		40100046		SOLENOID_BASE_A						1	
4		SM6050802TP		SCREW M5X0.8 L=8						2	
5		WP0501016SD		WASHER 5X10.5X1						2	
6		22962906		PLUNGER ARM PIN						1	
7		NS6110350SP		NUT 11/64-40						2	
8		40100038		CONDENSE_ARM_ASM.						1	
9		40100050		CONDENSE_SPRING						1	
10		SD1001506TP		SHOULDER SCREW D=10 H=15						1	
11		40162657		CONDENSE_STOPPER						1	
12		40060833		CONDENSE PIVOT						1	
13		RE0600000K0		E-RING 6						1	
14		SM6051202TP		SCREW M5X0.8 L=12						1	
15		WP0531000SD		WASHER M5						1	
16		40061486		STOPPER COLLAR						1	
17		SM6051202TP		SCREW M5X0.8 L=12						1	
18		40100172		CONDENSE_ARM_STOPPER						1	
19		22609606		FEED DRIVING ROCKER BLOCK S						1	
20		SM6050802TP		SCREW M5X0.8 L=8						2	
21		WP0501016SD		WASHER 5X10.5X1						2	
22		40100047		SOLENOID_BASE_B						1	
23		SM6061002TP		SCREW M6 L=10						1	
24		WP0641601SD		WASHER M6						1	
25		40100048		SOLENOID_COVER						1	

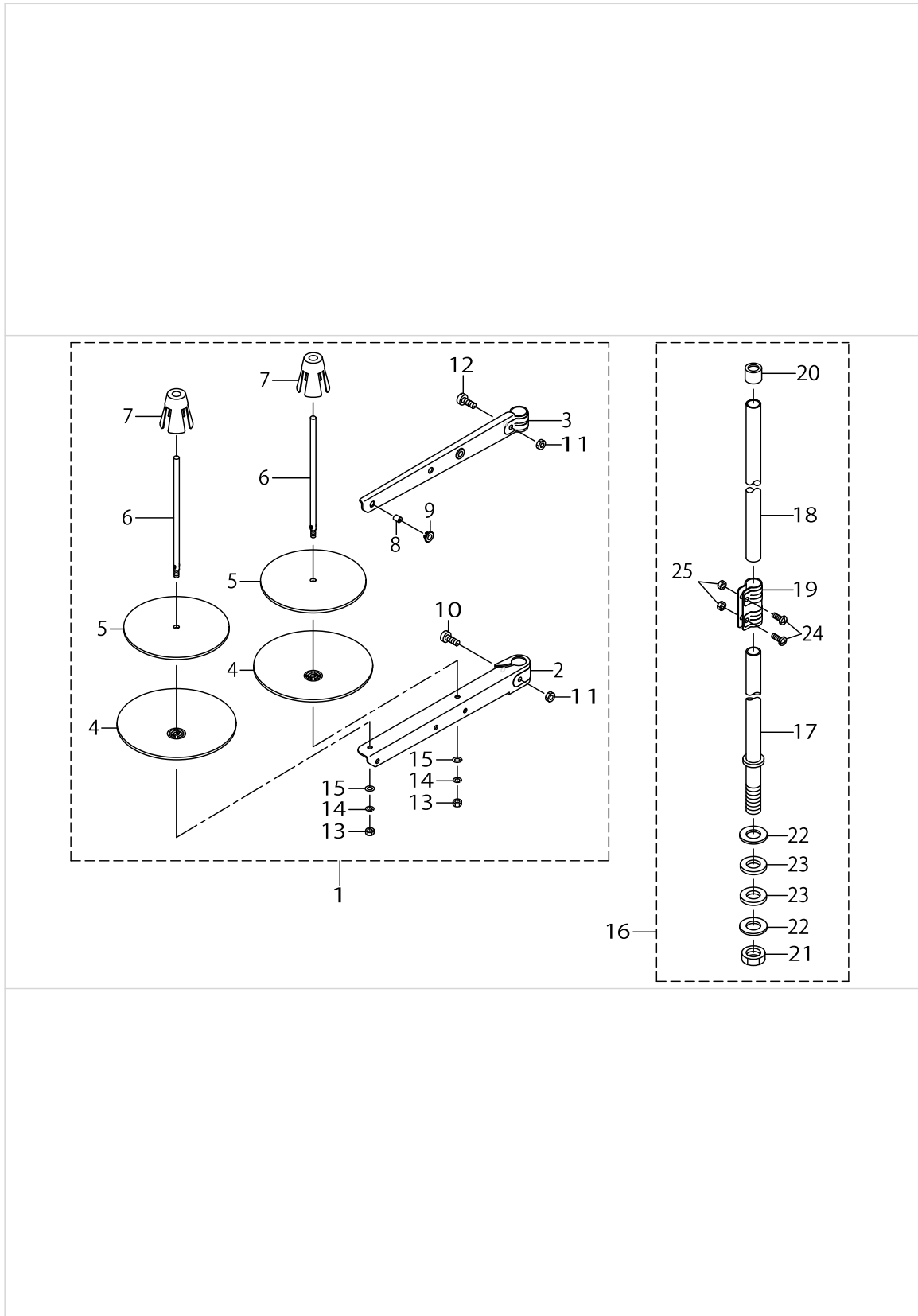
WIPER COMPONENTS (FOR DDL-9000B-**-WB)



WIPER COMPONENTS (FOR DDL-9000B-**-WB)

No.	Supply Code	Parts No.	Replacement	Parts name	Remarks	Choice	Step	Level	Cons	Qty	Rep. QTY
1		40086676		WIPER ASM.						1	
2		40077853		WIPER BASE ASM.				*		1	
3		40086723		WIPER LINK B				*		1	
4		40086724		WIPER SHAFT ASM.				*		1	
5		40095175		WIPER_SOLENOID_ASM.				*		1	
6		40089264		WIPER SOLENOID				*		1	
7		HK03464000B		PIN CONTACT				*		2	
8		HW500070000		2-CORE CABTYRE CORD				*		1.3	
9		22956106		WIPER LINK A				*		1	
10		22956205		WIPER HINGE SCREW COLLAR				*		1	
11		22956304		WIPER SPRING				*		1	
12		22956809		WIPER COLLAR				*		1	
13		22956908		WIPER LINK B HINGE SCREW				*		1	
14		22957005		WIPER				*		1	
15		22957203		WIPER LINK COLLAR				*		1	
16		40077852		WIPER SOLENOID SHAFT				*		1	
17		40086678		WIPER_SW_RUBBER				*		1	
18		22955900		WIPER RUBBER A				*		1	
19		40086717		FELT_B				*		1	
20		22956007		WIPER RUBBER B				*		1	
21		NS6090310SP		NUT 9/64-40				*		1	
22		NS6110310SP		NUT 11/64-40				*		1	
23		RC0370411KP		RETAINING RING				*		1	
24		RE0500000K0		E-RING				*		1	
25		SD0650321TP		HINGE SCREW D=6.5 H=3.2				*		1	
26		SL4030631SC		SCREW M3X6				*		1	
27		SL4030641SE		SCREW				*		3	
28		SS6090540SP		SCREW 9/64-40 L=5.0				*		1	
29		40077851		WIPER SOLENOID SHAFT GUIDE				*		1	
30		SS4110615SP		SCREW 11/64-40 L=6				*		2	
31		40086680		WIPER_STOPPER_RUBBER HOLDER				*		1	
32		40086679		WIPER_STOPPER_RUBBER				*		1	
33		WP0661016SP		WASHER				*		1	
34		WP0651001SC		WASHER				*		1	
35		40086716		FELT_A				*		1	
36		22955504		WIPER COVER				*		1	
37		SM4051055SP		SCREW						1	

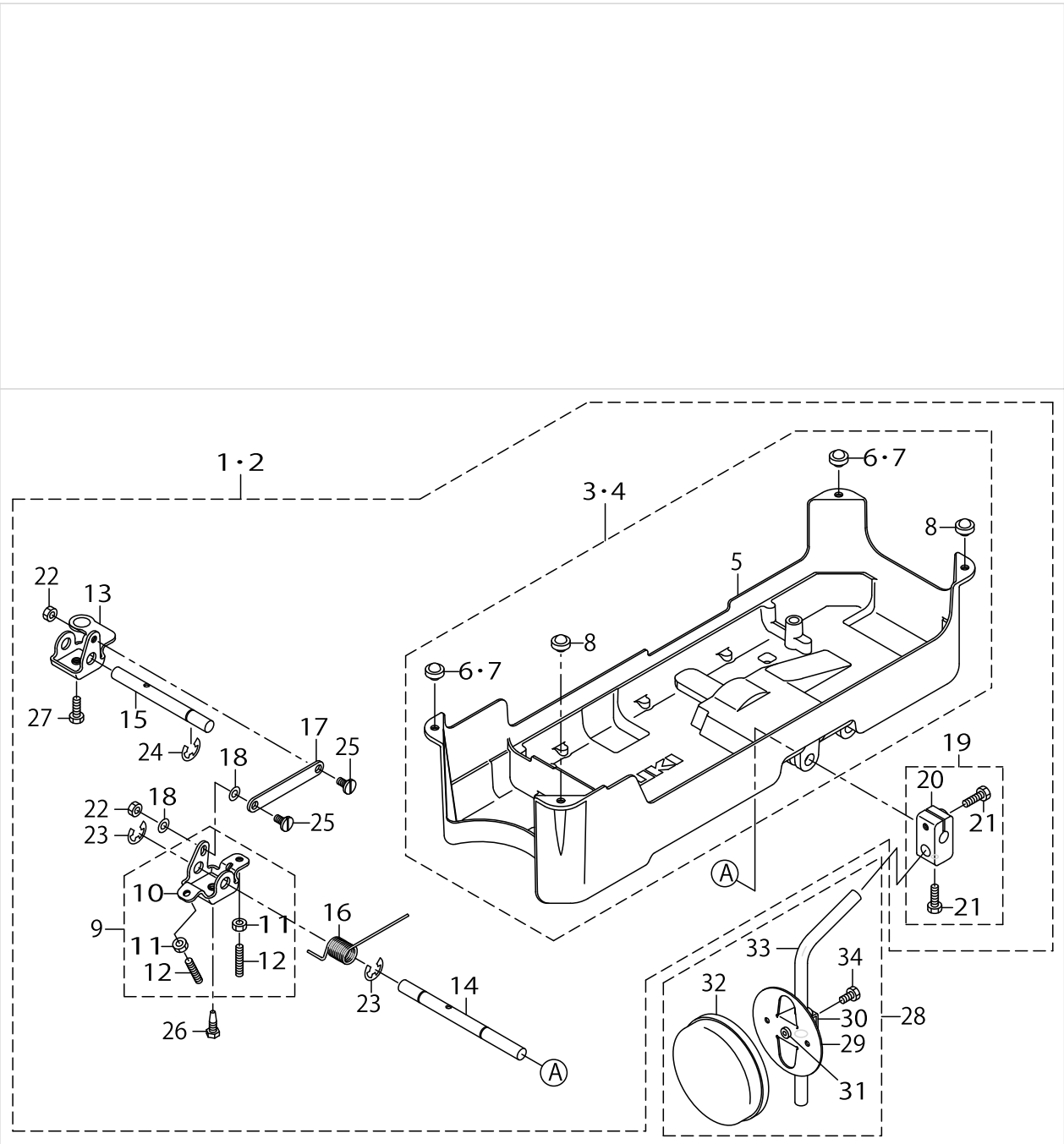
THREAD STAND COMPONENTS



THREAD STAND COMPONENTS

No.	Supply Code	Parts No.	Replacement	Parts name	Remarks	Choice	Step	Level	Cons	Qty	Rep. QTY
1		40108402		THRED_STAND_B						1	
2		40085786		SPOOL REST ARM (LOWER)				*		1	
3		40085787		SPOOL REST ARM (UPPER)				*		1	
4		40085788		SPOOL REST				*		2	
5		40085789		SPOOL REST CUSHION				*		2	
6		40085790		SPOOL PIN				*		2	
7		40085791		SPOOL RETAINER				*		2	
8		40085794		THREAD GUIDE				*		2	
9		40085795		THREAD GUIDE BUSHING				*		2	
10		40096326		SPOOL REST ARM LOWER SCREW				*		1	
11		NM6050001SE		NUT M5				*		2	
12	R	40096327	SM4053001SE	SPOOL REST ARM UPPER SCREW				*		1	1.00
13		NM6050001SE		NUT M5				*		2	
14		WS0510002KN		SPRING WASHER M5				*		2	
15		WP0531001SC		WASHER M5				*		2	
16		40108401		THREAD_STAND_A						1	
17		40085784		SPOOL REST ROD LOWER				*		1	
18		40085785		SPOOL REST ROD UPPER				*		1	
19		40085792		SPOOL REST ROD JOINT				*		1	
20		40085793		SPOOL REST ROD RUBBER CAP				*		1	
21		40096325		SPOOL REST ROD NUT				*		1	
22		WP1612616SE		WASHER 16X30X2.6				*		2	
23		40085796		SPOOL REST ROD RUBBER CUSHION				*		2	
24		SM4051405SE		SCREW M5 L=14				*		2	
25		NM6050001SE		NUT M5				*		2	

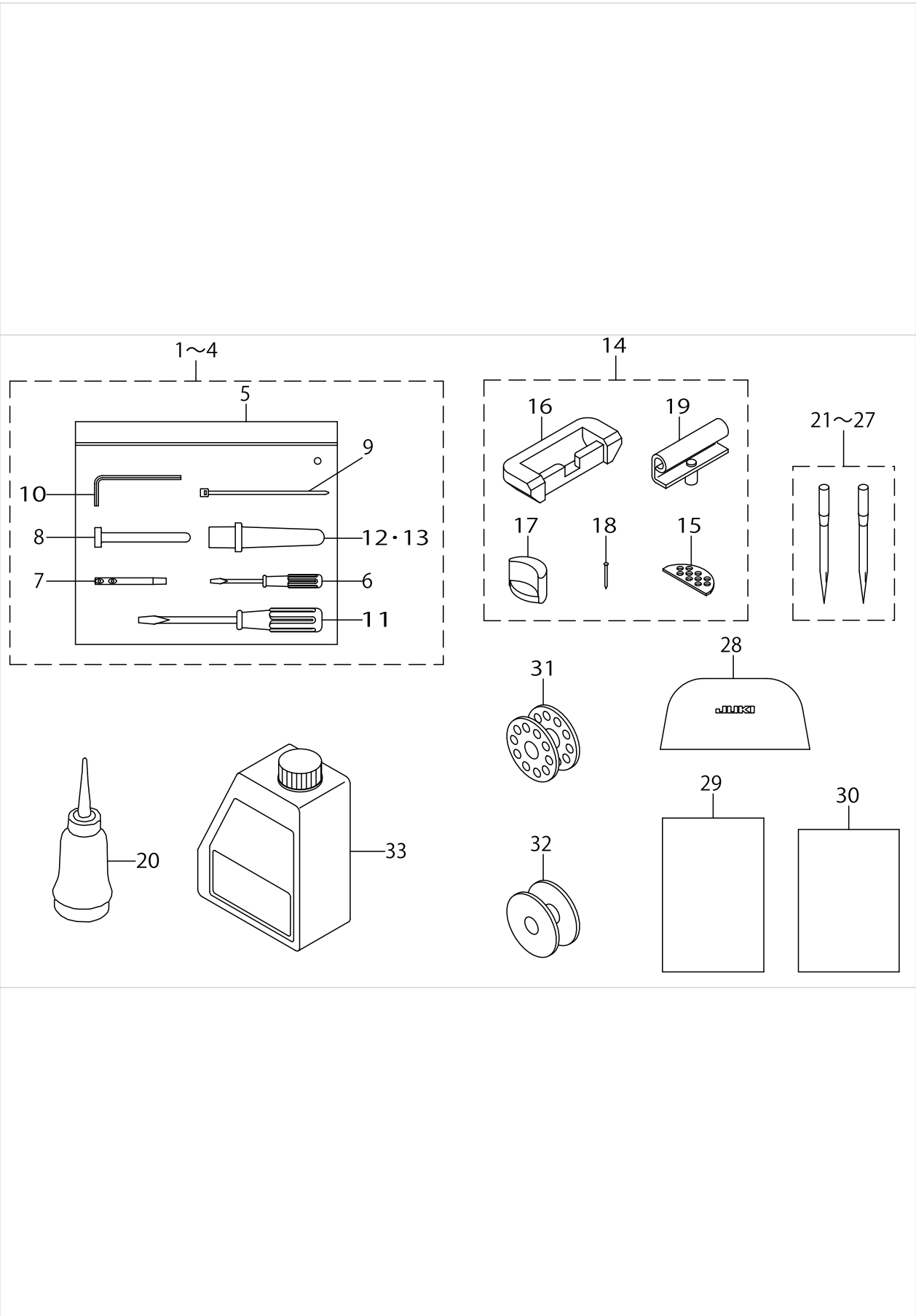
UNDER COVER COMPONENTS



UNDER COVER COMPONENTS

No.	Supply Code	Parts No.	Replacement	Parts name	Remarks	Choice	Step	Level	Cons	Qty	Rep. QTY
1		40089665		UNDER COVER AH ASM.	FOR DDL--9000B-SH					1	
2		40062321		UNDERCOVERAASM.	EXCEPT D-DL-9000B-SH					1	
3		40089671		UNDER COVER BH ASM.	FOR DDL--9000B-SH			*		1	
4	R	40062323	40062322	UNDERCOVERBASM.	EXCEPT D-DL-9000B-SH			*		1	1.00
5	R	23639008	40062321	UNDER COVER				*		1	1.00
6	R	22932008	11047107	RUBBER CUSHION	FOR DDL--9000B-SH			*		2	1.00
7		B1116210D00		FRAME SUPPORT RUBBER	EXCEPT D-DL-9000B-SH			*		2	
8		B1116210D00		FRAME SUPPORT RUBBER				*		2	
9		23639156		BRACKET ASM.				*		1	
10	R	23639107	23639156	BRACKET				*		1	1.00
11		NM6060001SE		NUT M6				*		2	
12		SM8063012TR		SCREW M6 L=30				*		2	
13		23639206		CONNECTING ROT				*		1	
14		23639305		KNEE PRESS ROD				*		1	
15		23639404		SHAFT				*		1	
16		23639503		SPRING				*		1	
17		23639602		CONNECTING ROD				*		1	
18		WP0650876SD		WASHER 6.5X13X0.8				*		2	
19		22932453		BRACKET ASM.				*		1	
20	R	22932404	22932453	BRACKET				*		1	1.00
21	R	SM9062053SR	22934707	SCREW M6 L=20				*		2	1.00
22		NS6150310SP		NUT 15/64-28				*		2	
23		RE1000000K0		E-RING 10				*		2	
24		RE1000000K0		E-RING 10				*		1	
25		SD0720331SP		HINGE SCREW D=7.24 H=3.3				*		2	
26		SM9061853SR		SCREW M6 L=17.5				*		1	
27		SM9061853SR		SCREW M6 L=17.5				*		1	
28		22934251		KNEE PAD PLATE ASM.						1	
29		22934202		KNEE PAD PLATE				*		1	
30		22934301		KNEE PAD PLATE SUPPORT				*		1	
31		22934400		KNEE PAD PLATE RUBBER				*		1	
32		22934509		KNEE PAD PLATE COVER				*		1	
33		22934608		KNEE PAD UPRIGHT SHAFT				*		1	
34		SM9061203SE		SCREW M6 L=12				*		1	

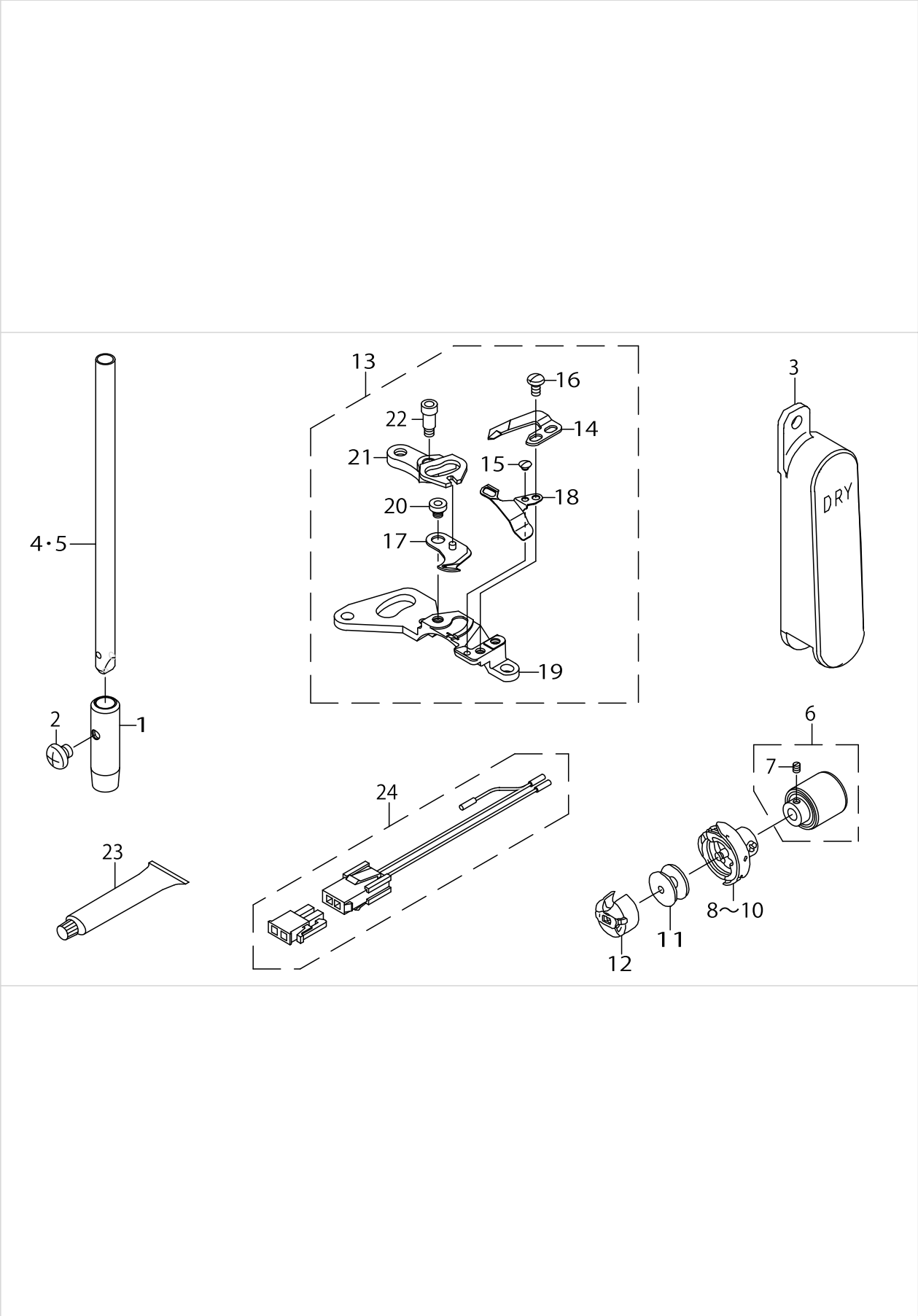
ACCESSORIE PART COMPONENTS



ACCESSORIE PART COMPONENTS

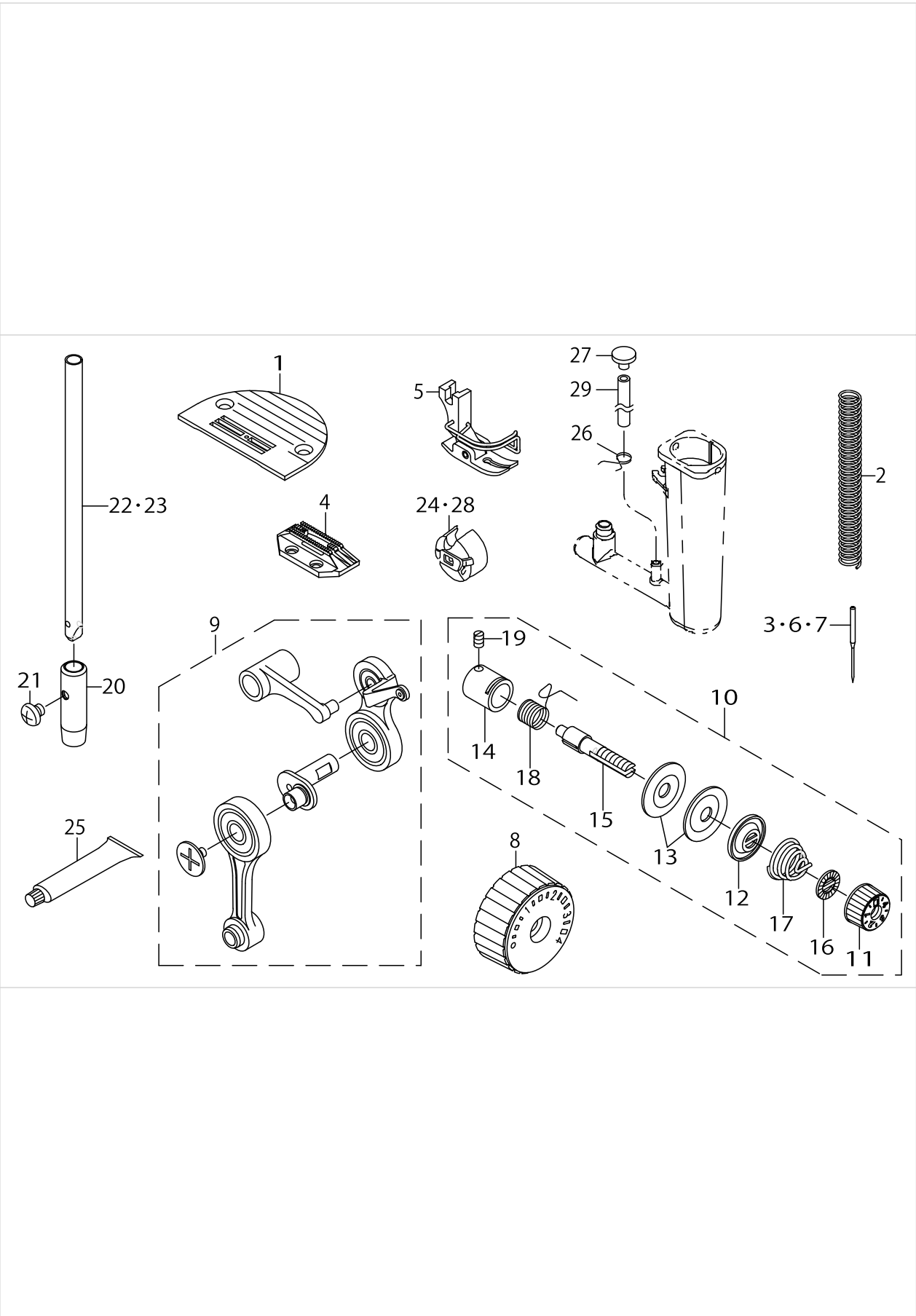
No.	Supply Code	Parts No.	Replacement	Parts name	Remarks	Choice	Step	Level	Cons	Qty	Rep. QTY
1		40089663		ACCESSORIE BAG ASM.	EXCEPT TYPE AK					1	
2		40091140		ACCESSORIE BAG AK ASM.	TYPE AK					1	
3		40099736		ACCESSORIE BAG ASM. 2	FOR CHINA (EXCEPT TYPE AK)					1	
4		40099737		ACCESSORIE BAG AK ASM. 2	FOR CHINA (TYPE AK)					1	
5		22932800		ACCESSORIE BAG				*		1	
6		22933204		SCREW DRIVER (SMALL)	EXCEPT CHINA			*		1	
7		22502504		THREAD GUIDE BAR				*		1	
8		23639701		KNEE LIFTER PRESSER ROD				*		1	
9		EA9500B0100		CABLE BAND				*		1	
10		40055591		HEXAGONAL WRENCH KYE				*		1	
11		22933105		SCREW DRIVER (MIDDLE)	EXCEPT CHINA			*		1	
12		22931604		FRAME SUPPORT BAR	EXCEPT TYPE AK			*		1	
13		40024081		HEAD SUPPORT ROD	TYPE AK			*		1	
14		22958052		RUBBER HINGE ASM.						1	
15	R	22926505	D8226555E00	WASHER				*		2	1.00
16	R	22926000	22958052	RUBBER CUSHION				*		2	1.00
17	R	22958003	11075900	FRAME BUBBER CUSHION				*		2	1.00
18	D	22926208		NAIL				*		8	
19	R	22926356	22958052	HINGE COMPL.				*		2	1.00
20		B91210120A0		OILER ASM.						1	
21		MDB100B1100		NEEDLE DBX1 #11	VARIOUS NOS.FOR DESTINATIONS					1	
22		MDB100B0900		NEEDLE DBX1 #9	VARIOUS NOS.FOR DESTINATIONS					1	
23		MDB100B2100		NEEDLE DBX1 #21	VARIOUS NOS.FOR DESTINATIONS					1	
24		MDB100B1400		NEEDLE DBX1 #14	VARIOUS NOS.FOR DESTINATIONS					1	
25		MC200501300		NEEDLE 134 NM130	VARIOUS NOS.FOR DESTINATIONS					1	
26		MC200500650		NEEDLE 134 NM65	VARIOUS NOS.FOR DESTINATIONS					1	
27		MC200500750		NEEDLE 134 NM75	VARIOUS NOS.FOR DESTINATIONS					1	
28		40135803		HEAD COVER						1	
29		40089323		DDL-9000B SETUP DOCUMENT	EXCEPT CHINA					1	
30		CM600100201		WEEE INFORMATION SHEET	VARIOUS NOS.FOR DESTINATIONS					1	
31	R	B9117012000	22932909	BOBBIN	VARIOUS NOS.FOR DESTINATIONS					1	1.00
32		22964001		BOBBIN A	VARIOUS NOS.FOR DESTINATIONS					1	
33	D R	40102087	MDFRX1600C0	JUKI_MACHINE_OIL_7	EXCEPT CHINA					1	1.00

EXCLUSIVE PARTS DDL-9000B DS



EXCLUSIVE PARTS DDL-9000B DS

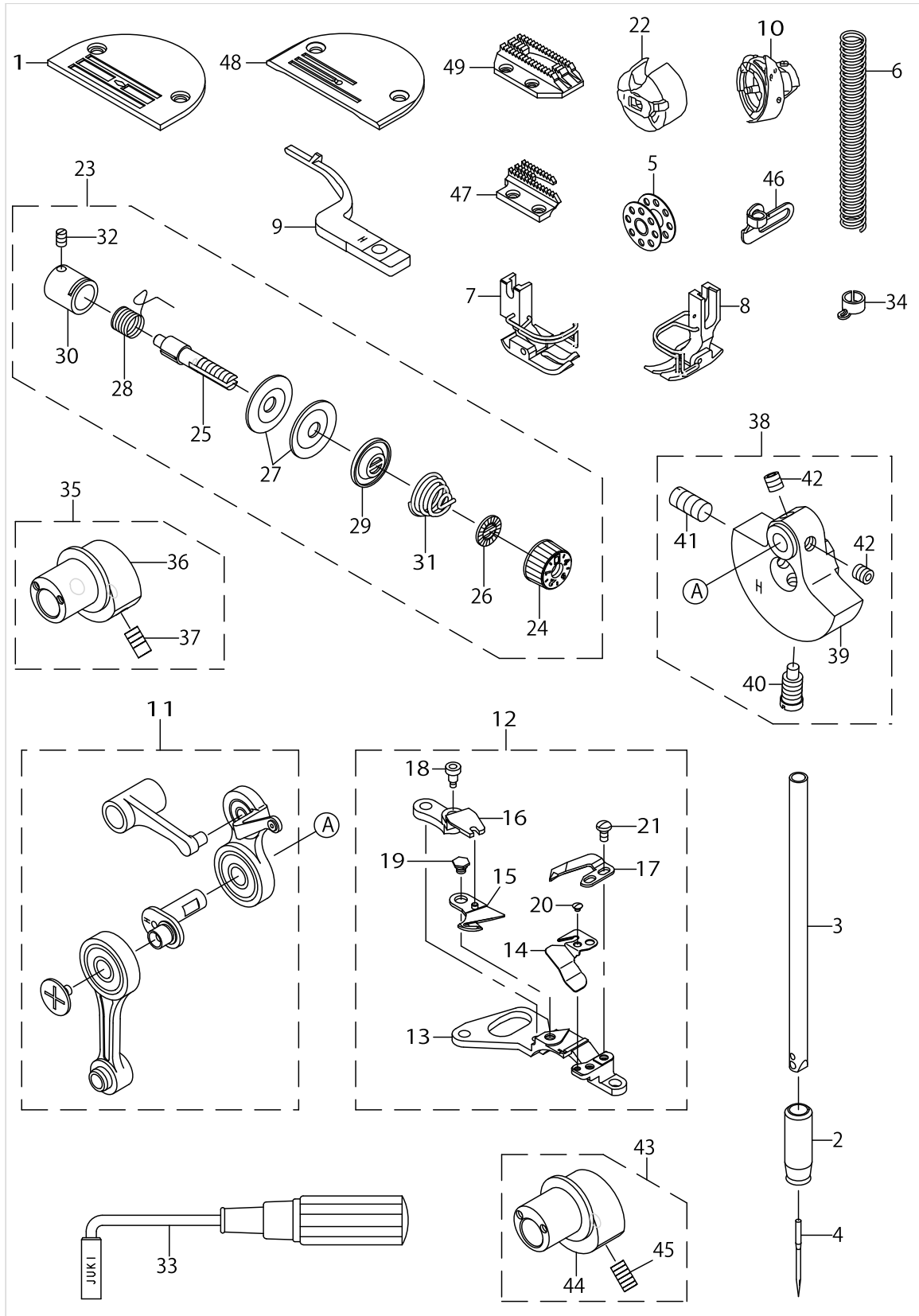
No.	Supply Code	Parts No.	Replacement	Parts name	Remarks	Choice	Step	Level	Cons	Qty	Rep. QTY
1		40086605		NEEDLE_BAR_LOWER_METAL_MD						1	
2		SM4050501SC		SCREW M5X0.8 L=5						1	
3		40037146		FLOATER SIGHT WINDOW D						1	
4		40086604		NEEDLE_BAR_D_(B)	FOR DDL-- 9000B-DS BB					1	
5		40086602		NEEDLE_BAR_D_(A)	FOR DDL-- 9000B-DS AA,EE,GG					1	
6		40089274		HOOK_SHAFT_FRON- T_BEARING_COMPL.						1	
7		SS6110420TP		SCREW 11/64-40 L=4.8				*		2	
8		22890404		RP HOOK C	FOR DDL-- 9000B-DS BB				☆	1	
9		22890206		RP HOOK	FOR DDL-- 9000B-DS EE,GG				☆	1	
10		22890305		RP HOOK S	FOR DDL-- 9000B-DS AA				☆	1	
11		22964001		BOBBIN					☆	1	
12		22896252		BOBBIN CASE ASM.					☆	1	
13		40050586		KNIFE UNIT D						1	
14		22895908		COUNTER KNIFE				*	☆	1	
15		SS2060210SP		SCREW 3/32-56 L=2.3				*		1	
16		SS4080620TP		SCREW 1/8-44 L=6				*		2	
17		11040052		MOVING KNIFE ASM.				*	☆	1	
18		40050588		THREAD GUIDE FOR KNIFE D				*	☆	1	
19		22947907		KNIFE MOUNTING BASE				*		1	
20		11040409		MOVING KNIFE HINGE SCREW				*		1	
21		22896005		FORKED BASE FOR KNIFE				*		1	
22		SD0460703TP		HINGE SCREW D=4.6 H=7				*		1	
23		40006323		JUKI GREASE A TUBE	FOR OPTI- ONAL PARTS					1	
24		40050581		JOINT_CABLE_ASM.						1	



EXCLUSIVE PARTS DDL-9000B MS,MA

No.	Supply Code	Parts No.	Replacement	Parts name	Remarks	Choice	Step	Level	Cons	Qty	Rep. QTY
1		11001906		THROAT PLATE K	FOR DDL-- 9000B-MA EE					1	
2		11162104		SPRING	FOR DDL-- 9000B-MA					1	
3		MDB100B1100		NEEDLE DBX1 #11	FOR DDL-- 9000B-MA GG				☆	1	
4		D1613155W00		FEED DOG W	FOR DDL-- 9000B-MA EE					1	
5		D1524555DBB		PRESSER FOOT ASM.	FOR DDL-- 9000B-MA AA,BB,EE					1	
6		MDB100B0900		NEEDLE DBX1 #9	FOR DDL-- 9000B-MA AA,EE				☆	1	
7		MC200500650		NEEDLE 134 NM65	FOR DDL-- 9000B-MA BB				☆	1	
8		40141843		REGULATOR PIN DIAL 4	FOR DDL-- 9000B-MA					1	
9		40037439		THREAD TAKE UP COMP. A	FOR DDL-- 9000B-MA					1	
10		40037479		THREAD TENSION DISK ASM. A	FOR DDL-- 9000B-MA					1	
11		23626005		THREAD TENSION NUT				*		1	
12		B3132552000		THREAD TENSION DISK PRESSER				*		1	
13	R	B3126012000	22921506	THREAD TENSION DISK				*		2	1.00
14		40024845		TENSION POST SOCKET ASM.				*		1	
15		B3115552000		TENSION POST				*		1	
16		B3120125000		ROTATING STOPPER				*		1	
17		D3129555D00		THREAD TENSION SPRING				*		1	
18		D3128555D00		TAKE-UP SPRING				*	☆	1	
19		SS8090670SP		SCREW 9/64-40 L=5.5				*		1	
20		40086605		NEEDLE_BAR_LOWER_METAL_MD						1	
21		SM4050501SC		SCREW M5X0.8 L=5						1	
22		40086604		NEEDLE_BAR_D_(B)	FOR DDL-- 9000B-MS MA,BB					1	
23		40086602		NEEDLE_BAR_D_(A)	FOR DDL-- 9000B-MS MA,AA,EE,GG					1	
24		40000264		BOBBIN CASE ASM.	FOR DDL-- 9000B-MA					1	
25		40006323		JUKI GREASE A TUBE	OPTIONAL PARTS					1	
26		23629306		PIPE STOPPER A						1	
27		40042086		CAP						1	
28		11038759		BOBBIN CASE ASM.	FOR DDL-- 9000B-MS					1	
29		23630007		TUBE						.07	

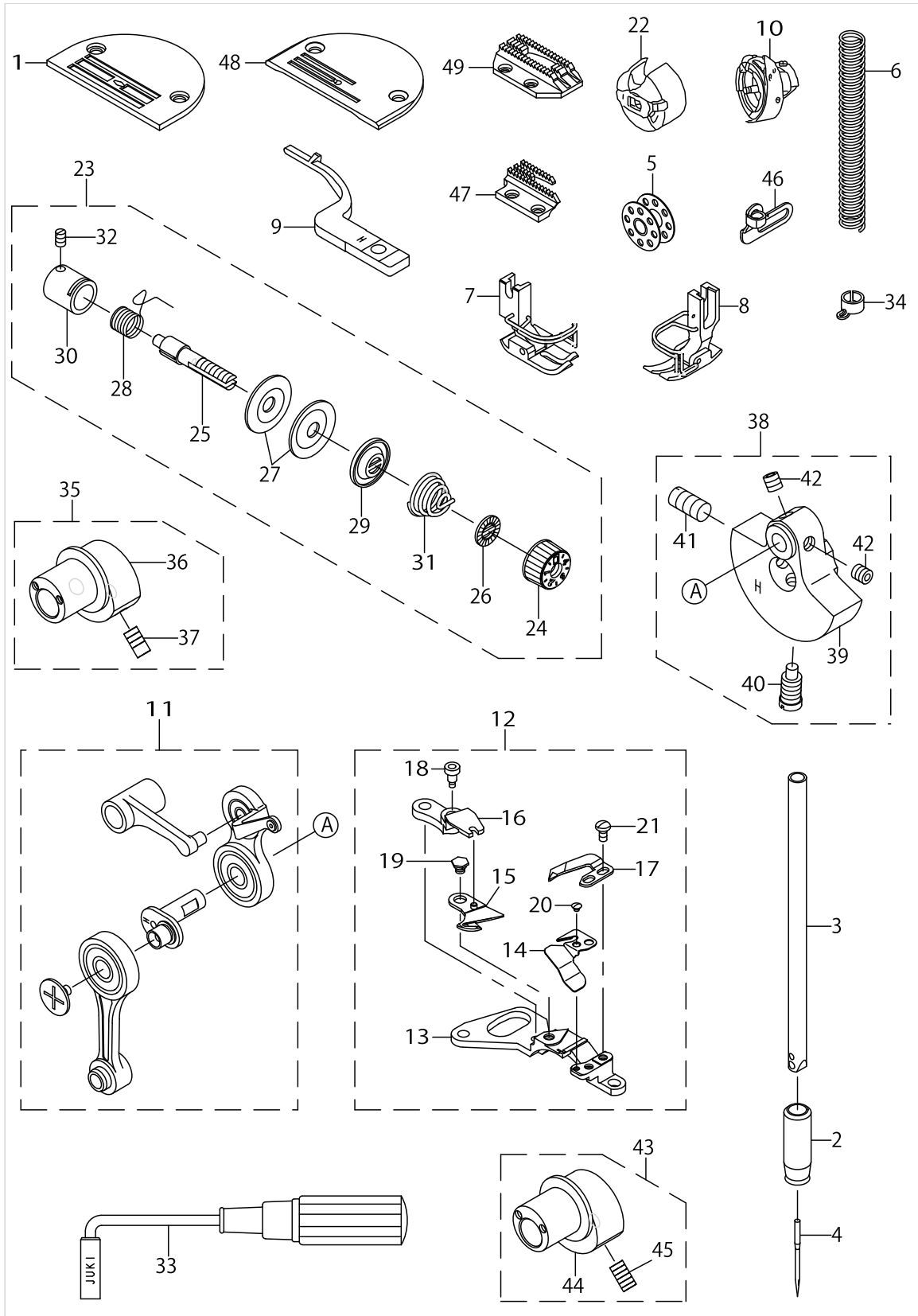
EXCLUSIVE PARTS DDL-9000B SH



EXCLUSIVE PARTS DDL-9000B SH

No.	Supply Code	Parts No.	Replacement	Parts name	Remarks	Choice	Step	Level	Cons	Qty	Rep. QTY
1		40089605		THROAT_PLATE_J	FOR AA,BB,EE					1	
2		40107708		NEEDLE_BAR_METAL_LOWER_H						1	
3		40061767		NEEDLE BAR H						1	
4		MDB100B2100		NEEDLE DBX1 #21	FOR AA,GG,EE				☆	1	
5	R	B9117012000	22932909	BOBBIN						1	1.00
6		B1505552000A		PRESSER SPRING						1	
7	R	D1524555EBL	D1524555ECL	PRESSER FOOT ASM.	FOR AA,BB,EE					1	1.00
8		40064839		PRESSER FOOT ASM.						1	
9		40089610		INNER_HOOK_HOLDER_H						1	
10		11092251		LUBRICATING BOBBIN ASM.					☆	1	
11		40055604		THREAD TAKE UP COMP. H						1	
12		40050587		KNIFE UNIT H						1	
13		11095502		KNIFE MOUNT BASE				*		1	
14		40044190		THREAD_GUIDE_FOR_KNIFE H				*	☆	1	
15		11409257		MOVING KNIFE J ASM.				*	☆	1	
16		40009894		FORKED BASE FOR KNIFE				*		1	
17		40050589		FIX KNIFE H				*	☆	1	
18		SD0460703TP		HINGE SCREW D=4.6 H=7				*		1	
19		SD0500131TP		HINGE SCREW D=5 H=1.25				*		1	
20		SS2060210SP		SCREW 3/32-56 L=2.3				*		1	
21		SS4080620TP		SCREW 1/8-44 L=6						2	
22		40000264		BOBBIN CASE ASM.					☆	1	
23		40037313		THREAD TENSION DISK ASM. H						1	
24		23626005		THREAD TENSION NUT				*		1	
25		B3115552000		TENSION POST				*		1	
26		B3120125000		ROTATING STOPPER				*		1	
27	R	B3126012000	22921506	THREAD TENSION DISK				*		2	1.00
28	R	B3128012000	22921605	TAKE-UP SPRING				*	☆	1	1.00
29		B3132552000		THREAD TENSION DISK PRESSER				*		1	
30		40024845		TENSION POST SOCKET ASM.				*		1	
31		B3114232000		THREAD TENSION SPRING				*		1	
32		SS8090670SP		SCREW 9/64-40 L=5.5				*		1	
33		J1063000000		WRENCH	OPTIONAL PARTS					1	
34		40024124		NEEDLE BAR THREAD GUIDE						1	
35		23619059		VERTICAL FEED CAM H ASM.						1	
36	R	23619000	23619059	VERTICAL FEED CAM H				*		1	1.00
37		SS8151150TP		SCREW 15/64-28 L=10.5				*		2	
38		40055058		ASSY COUNTER WEIGHT H						1	
39		40053411		COUNTER WEIGHT H				*		1	
40		40004171		COUNTER_WEIGHT_SCREW				*		1	
41		SM8081652TP		SCREW M8 L=16				*		1	
42		SM80606A2TP		SCREW M6 L=6				*		2	
43		40069369		VERTICAL FEED CAM ASM. 2.0	OPTIONAL PARTS					1	
44		40069370		VERTICAL FEED CAM 2.0				*		1	
45		SS8151150TP		SCREW 15/64-28 L=10.5				*		2	
46		40063697		ARM THREAD GUIDE A H						1	

EXCLUSIVE PARTS DDL-9000B SH



EXCLUSIVE PARTS DDL-9000B SH

No.	Supply Code	Parts No.	Replacement	Parts name	Remarks	Choice	Step	Level	Cons	Qty	Rep. QTY
47		11062601		FEED DOG	FOR GG					1	
48		11062007		THROAT PLATE A	FOR GG					1	
49		11403003		FEED J	FOR AA,BB,EE					1	

TABLE & STAND COMPONENTS

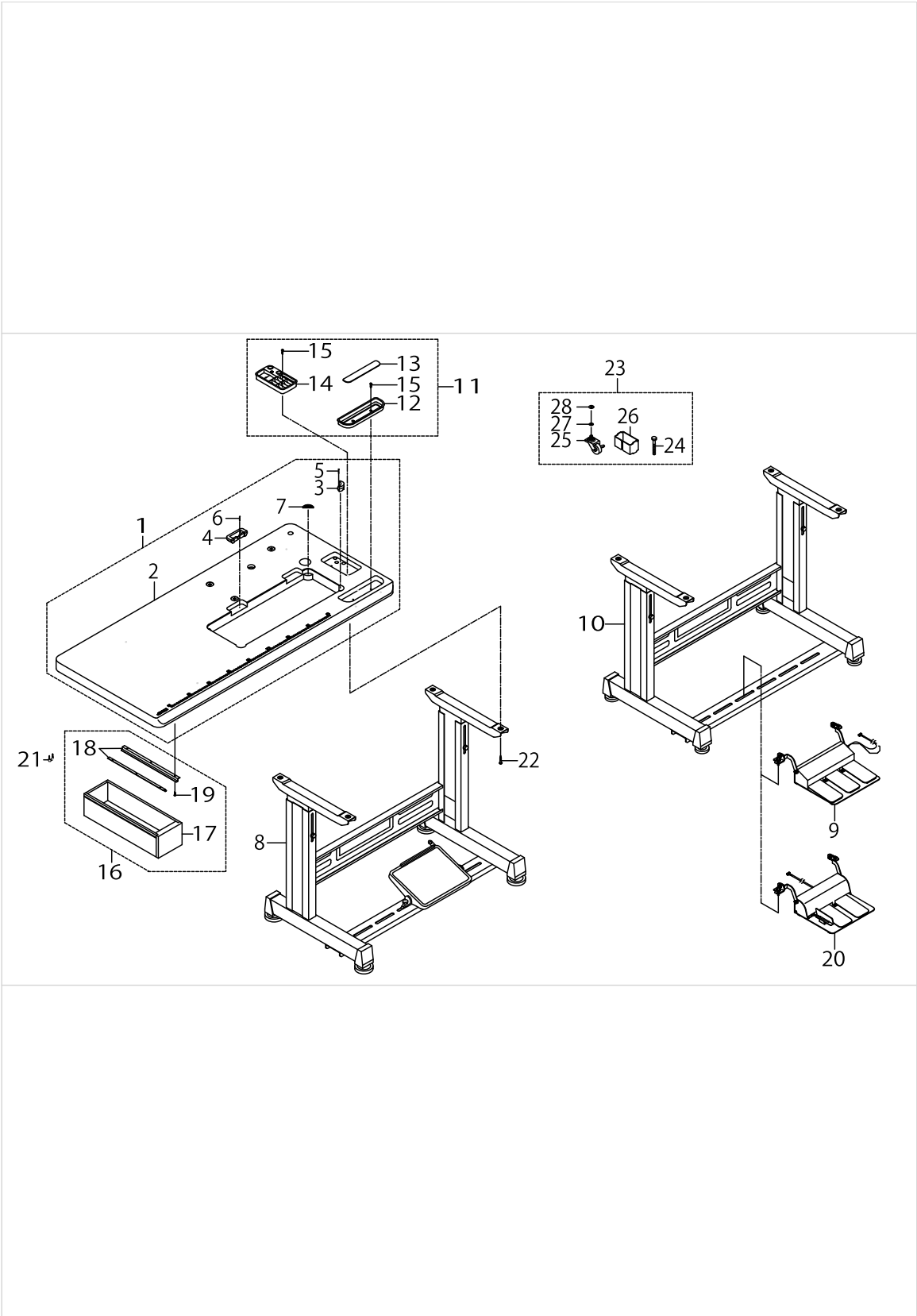
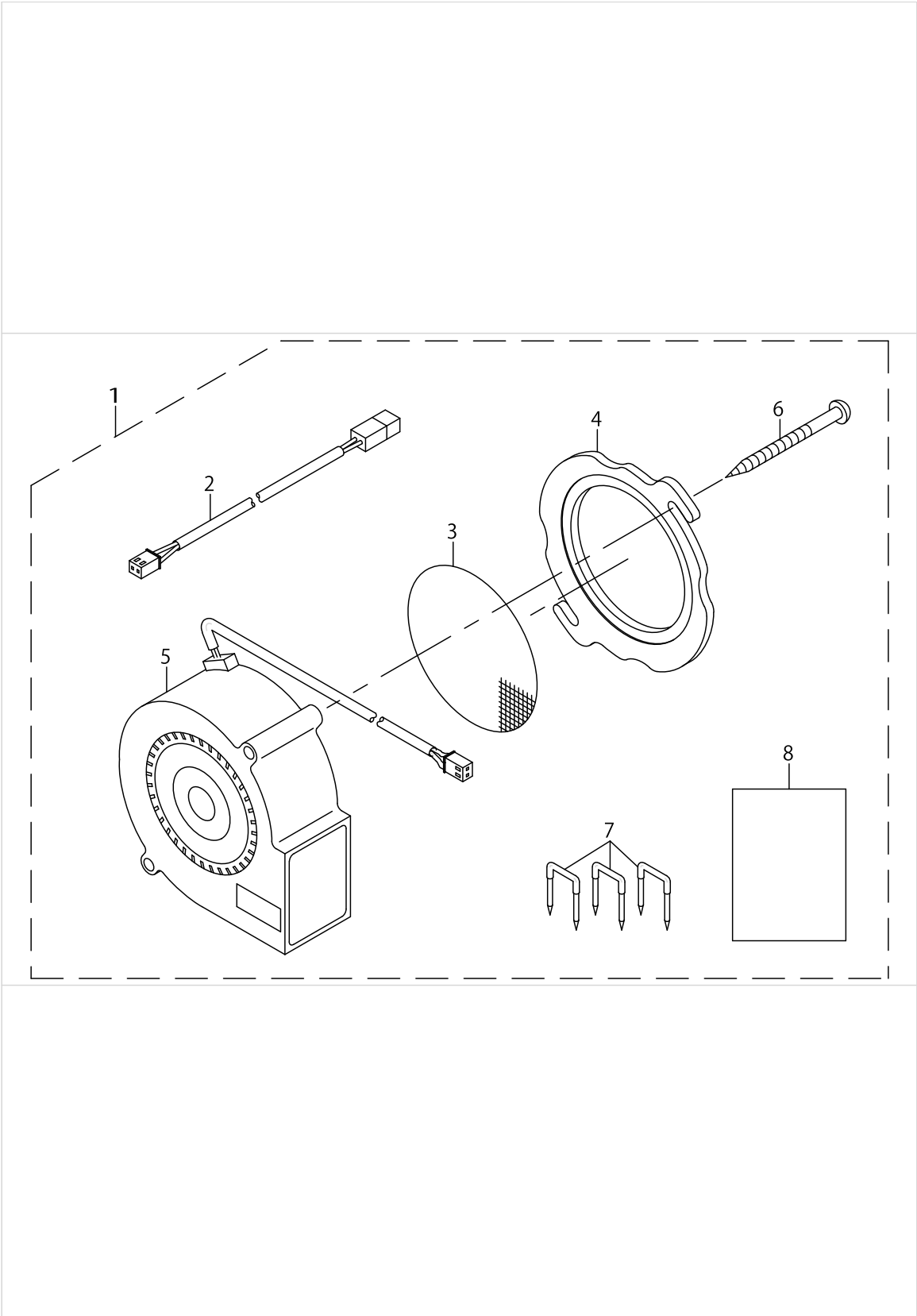


TABLE & STAND COMPONENTS

No.	Supply Code	Parts No.	Replacement	Parts name	Remarks	Choice	Step	Level	Cons	Qty	Rep. QTY
1		23642259		TABLE ASM.						1	
2	R	23642200	23642259	TABLE				*		1	1.00
3		11075900		RUBBER SPACER				*		2	
4		11075801		RUBBER SPACER				*		2	
5		B8210012000		CUSHION SET NAIL				*		4	
6		B8210012000		CUSHION SET NAIL				*		4	
7		D8226555E00		FRAME RUBBER CUSHION A				*		2	
8		11157567		T LEG JUNCTION	FOR JT-D950					1	
9		GPK700010A0		3-JOINT PEDAL 70	FOR JT-D-95A,-D95B					1	
10	R	11157559	11157567	T-STAND ASM.	FOR JT-D-95A,-D95B					1	1.00
11		11155769		SMALL CASTINGS BOX B ASM.						1	
12		11156007		CASE				*		1	
13		11155801		CASE MAGNET				*		1	
14		11155751		CASE ASM. B				*		1	
15		SK3382001SC		WOOD SCREW D=3.8 L=20				*		4	
16		11155157		DRAWER ASM.						1	
17	R	11155108	11155157	DRAWER				*		1	1.00
18		11155207		DRAWER SUPPORT				*		2	
19		SK3311600SE		WOOD SCREW D=3.1 L=16				*		6	
20		GPK710010A0		2-PEDAL ASM. 71	FOR JT-D-95A,-D95B					1	
21		D8204555D00		DRAWER STOPPER						1	
22	R	SK3513200SC	SK3513201SE	WOOD SCREW D=5.1 L=32						4	1.00
23		11159456		CASTER ASM.	OPTIONAL PARTS					1	
24		SM9086523SE		HEXAGONAL BOLT				*		2	
25		11159407		CASTER				*		4	
26		11159506		STRUT AUXILIARY PLATE				*		2	
27		WS0861410KR		SPRING WASHER 8.6X15X1.4				*		2	
28		WP0871602SE		WASHER 8.7X18X1.6				*		2	

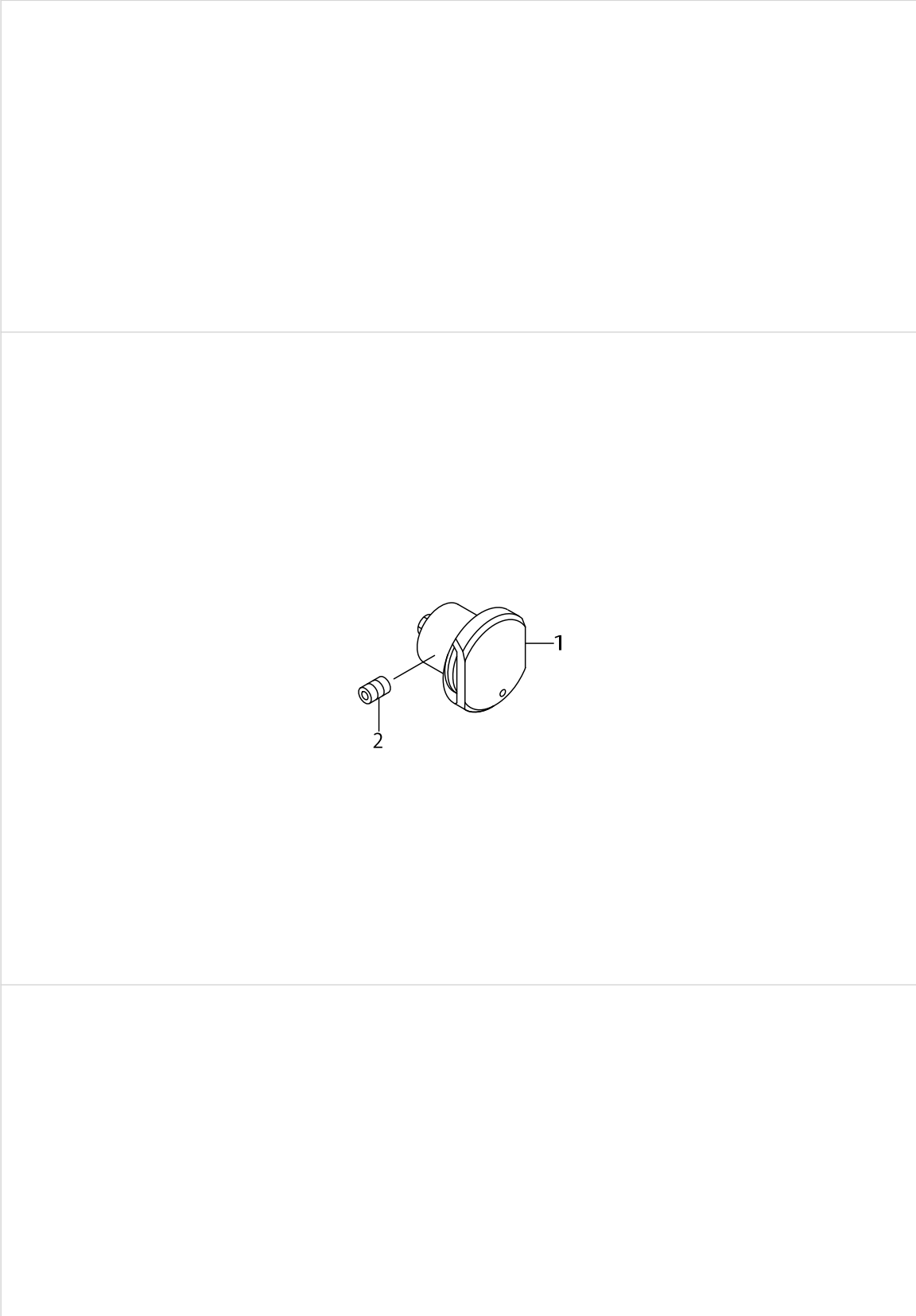
SPECIAL ORDER PART



SPECIAL ORDER PART

No.	Supply Code	Parts No.	Replacement	Parts name	Remarks	Choice	Step	Level	Cons	Qty	Rep. QTY
1		40065571		ELECTRIC FAN HO- OK COOLING DEVICE						1	
2		40044065		FAN_RELAY_CABLE				*		1	
3		40064805		FAN FILTER				*		1	
4		40064806		FANCOOLINGCOVER				*		1	
5		40065564		FAN MOTOR ASSY				*		1	
6		SK3415001SE		SCREW D=4.1 L=50				*		2	
7		MA011532000		CORD STAPLE				*		3	
8		40065572		HOOK COOLING DE- VICE INSTRUCTION MANUAL				*		1	

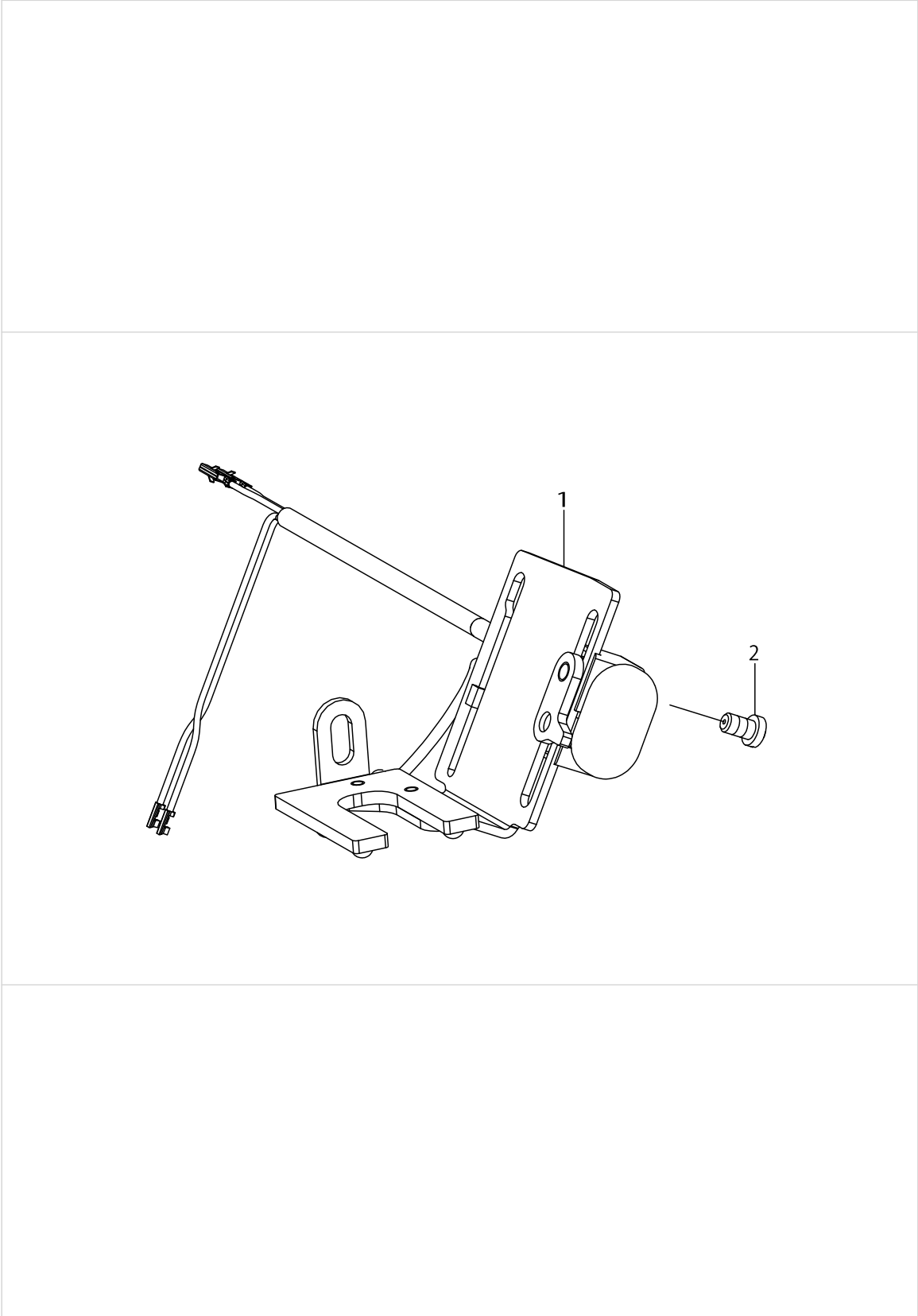
NEEDLE THREAD PRESSER COMPONENTS



NEEDLE THREAD PRESSER COMPONENTS

No.	Supply Code	Parts No.	Replacement	Parts name	Remarks	Choice	Step	Level	Cons	Qty	Rep. QTY
1		40131641		THREAD CATCHER ASM.						1	
2		SM8040612TP		SCREW M4 L=6						1	

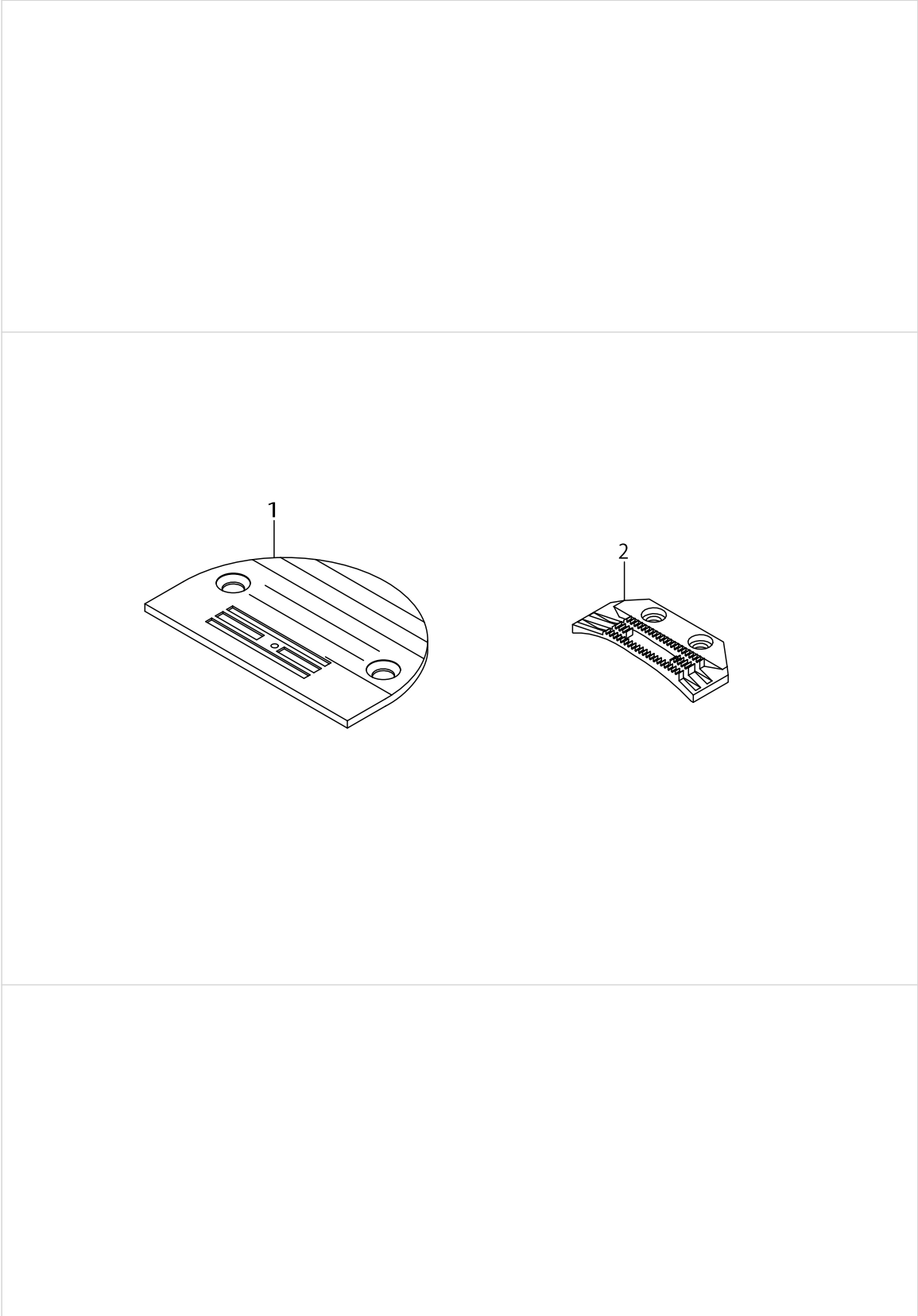
LED REVERSE FEED SWITCH COMPONENTS



LED REVERSE FEED SWITCH COMPONENTS

No.	Supply Code	Parts No.	Replacement	Parts name	Remarks	Choice	Step	Level	Cons	Qty	Rep. QTY
1		40163072		LED_BT_SWITCH_ASSY_921						1	
2		SM4050655SP		SCREW M5 L=6						1	

GAUGE COMPONENTS



GAUGE COMPONENTS

No.	Supply Code	Parts No.	Replacement	Parts name	Remarks	Choice	Step	Level	Cons	Qty	Rep. QTY
1		40163071		THROAT_PLATE_IB_R						1	
2		40164902		FEED_DOG_I_ST						1	

HOW TO MAKE USE OF THIS PARTS LIST

- 1.As to "#01" and "#02" refer to the "Note" given at the bottom of the respective pages.
- 2.Codes on the "Qty" column
 - Each numeral indicates the number of parts required.
 - "0.1" and "2.5" indicate the length (in meters) of the respective parts.
- 3.Parentheses mean that the corresponding part is a subpart that constructs an assembly part.
- 4.Dotted lines on the Figures indicate assembly parts.
- 5.As to the parts with marks of "☆"(Consumable parts)and "◎"(optional parts)on the respectie parts, it is recommended to prepare spares.

Sign	Place of destination
GG	China
BB	Europe
EE	Japan
AA	excludes China,Europe and Japan

1. リストページの#01、#02の印は、ページ下の"注記"の説明を参照下さい。
2. 数量欄の数字は、個数を表し、0.1、2.5等の数値は、長さ（単位メートル）を表します。
3. 数量欄の（ ）は、組部品を構成している子部品であることを意味します。
4. イラストページの-----枠は、組構成であることを意味します。
5. リストページの"☆"（消耗部品）、"◎"（オプション部品）の印が付いた部品は、予備を準備しておくことをお奨めします。

記号	仕向地
GG	中国
BB	ヨーロッパ
EE	日本
AA	中国、ヨーロッパ、日本を除く

NUMERICAL INDEX OF PARTS

PART NO	PAGE	REF NO.	PART NO	PAGE	REF NO.	PART NO	PAGE	REF NO.
11001906	50	1	11421203	26	31	22921407	4	52
11015906	24	61	11421401	28	49	22921407	8	27
11028008	4	85·86	11421500	26	20	22921506	4	53
11038650	24	68·69	11421708	26	39	22921506	8	28
11038759	24	67	11497104	26	4	22921605	4	54
11038759	50	24·28	11497302	26	2	22921704	4	55
11040052	48	17	13170105	32	6	22921704	8	29
11040409	48	20	13171004	32	5	22921803	4	56
11043304	30	17	22502504	46	7	22925101	32	24
11062007	54	48	22609606	38	19	22926000	46	16
11062601	54	47	22886907	10	27·28	22926208	46	18
11075801	56	4	22887004	10	27·28	22926356	46	19
11075900	56	3	22890206	48	8~10	22926505	46	15
11079506	24	84	22890305	48	8~10	22931604	46	12·13
11091204	26	7	22890404	48	8~10	22932008	44	6·7
11092251	52	10	22895908	48	14	22932404	44	20
11095502	52	13	22896005	48	21	22932453	44	19
11141355	24	68·69	22896252	48	12	22932800	46	5
11155108	56	17	22901201	2	14·15	22933105	46	11
11155157	56	16	22901250	2	12·13	22933204	46	6
11155207	56	18	22901300	2	16·17	22934202	44	29
11155751	56	14	22901805	4	81	22934251	44	28
11155769	56	11	22902506	2	30	22934301	44	30
11155801	56	13	22902704	2	14·15	22934400	44	31
11156007	56	12	22902753	2	12·13	22934509	44	32
11157559	56	10	22904106	22	23	22934608	44	33
11157567	56	8	22904155	22	22	22944508	2	21
11159407	56	25	22906309	10	9	22944508	14	34
11159456	56	23	22906408	10	30	22945414	4	62
11159506	56	26	22906457	10	29	22945604	4	63
11162104	50	2	22907406	14	15	22945703	4	65
11403003	54	49	22907802	14	22	22945802	4	66
11409257	52	15	22908008	14	8	22947907	48	19
11419207	30	5	22908552	14	24	22950000	26	15
11419405	30	2	22908909	14	29	22950950	30	6
11419504	30	10	22910509	18	11	22951552	2	8
11419603	30	9	22911002	22	13	22952501	18	27
11419702	30	11	22911101	22	6	22955504	40	36
11419801	30	12	22916506	24	60	22955900	40	18
11419900	30	13	22916555	24	59	22956007	40	20
11420106	26	6	22920300	14	40	22956106	40	9
11420601	26	5	22920409	16	41	22956205	40	10
11420700	26	19	22920607	4	60	22956304	40	11
11420809	26	22	22921209	4	51	22956809	28	61
11421104	26	30	22921308	8	25	22956809	40	12

NUMERICAL INDEX OF PARTS

PART NO	PAGE	REF NO.	PART NO	PAGE	REF NO.	PART NO	PAGE	REF NO.
22956908	40	13	23621006	24	62~65	23639602	44	17
22957005	40	14	23624505	30	25	23639701	46	8
22957203	40	15	23624554	30	24	23640006	4	47
22958003	46	17	23626005	4	50	23642200	56	2
22958052	46	14	23626005	50	11	23642259	56	1
22962906	38	6	23626005	52	24	26260109	8	2
22963409	4	64	23626104	4	69	26260208	8	3
22963458	4	61	23626203	10	33	26260307	8	4
22964001	24	72	23626351	16	42	26260406	8	5
22964001	46	32	23626807	16	43	26260505	8	6
22964001	48	11	23628803	32	40	26260604	8	7
23600505	2	4	23628902	32	36	26260802	8	8
23601305	4	84	23629207	32	8	26261008	8	9
23608003	10	25	23629256	32	7	26261206	8	10
23609308	14	12	23629306	32	10	26261305	8	11
23609357	14	5	23629306	50	26	26261503	8	12
23609456	14	6	23629405	32	11	26261602	8	13
23609605	14	7	23629900	4	82	26261701	8	14
23609704	14	14	23630007	18	23	40000264	50	24·28
23610207	14	16	23630007	32	19	40000264	52	22
23610306	14	17	23630007	50	29	40000344	32	46
23610504	16	48	23630106	32	22	40000391	22	37
23610652	16	49	23630403	32	34	40000392	22	38
23610702	16	51	23630502	32	35	40004171	10	4
23611106	16	47	23631708	36	30	40004171	52	40
23612609	18	25	23631757	36	15	40006323	48	23
23613409	18	39	23631807	36	31	40006323	50	25
23613706	18	16	23631906	36	32	40006716	20	46
23614506	22	26	23632003	36	23	40009894	52	16
23616006	22	2	23632102	36	26	40010434	26	10
23616204	22	20	23632250	36	27	40011144	8	15
23616402	22	32	23632359	36	17	40013595	32	30
23616600	22	33	23632607	36	33	40014837	8	16
23616709	22	14	23632656	36	25	40016706	26	8
23618101	24	47	23638109	4	73	40023021	8	1
23618309	24	52	23638208	4	74	40023022	8	17
23619000	52	36	23638307	4	75	40024081	46	12·13
23619059	52	35	23638406	4	76	40024124	52	34
23620008	24	56	23639008	44	5	40024845	50	14
23620156	24	57	23639107	44	10	40024845	52	30
23620404	24	74	23639156	44	9	40026277	22	5
23620503	24	54	23639206	44	13	40026278	22	31
23620701	24	62~65	23639305	44	14	40026281	22	16
23620800	24	62~65	23639404	44	15	40026282	22	36
23620909	24	62~65	23639503	44	16	40026287	22	41

NUMERICAL INDEX OF PARTS

PART NO	PAGE	REF NO.	PART NO	PAGE	REF NO.	PART NO	PAGE	REF NO.
40026288	22	43	40055591	46	10	40082589	28	65
40029398	26	9	40055604	52	11	40085784	42	17
40030786	24	71	40056622	16	46	40085785	42	18
40032269	10	46	40058504	22	9	40085786	42	2
40034246	32	3	40060791	30	15	40085787	42	3
40035589	2	37	40060792	26	23	40085788	42	4
40036706	14	32	40060794	30	14	40085789	42	5
40036997	26	12	40060799	26	29	40085790	42	6
40037005	22	15	40060801	28	63	40085791	42	7
40037006	10	16	40060833	38	12	40085792	42	19
40037007	10	15	40061246	22	8	40085793	42	20
40037008	8	30	40061486	38	16	40085794	42	8
40037141	14	19	40061767	52	3	40085795	42	9
40037144	14	20	40062168	28	67	40085796	42	23
40037146	48	3	40062180	26	35	40086597	10	1
40037158	2	1	40062321	44	1·2	40086602	48	4·5
40037166	32	12	40062323	44	3·4	40086602	50	22·23
40037192	22	1	40063697	52	46	40086604	48	4·5
40037313	52	23	40064805	58	3	40086604	50	22·23
40037359	14	18	40064806	58	4	40086605	48	1
40037365	22	4	40064839	52	8	40086605	50	20
40037439	50	9	40065564	58	5	40086606	14	2
40037479	50	10	40065571	58	1	40086607	14	3
40037488	4	48	40065572	58	8	40086608	18	5
40037502	32	38	40066590	26	11	40086609	18	22
40038328	32	37	40066591	26	14	40086613	20	45
40041161	2	2	40066592	26	38	40086614	18	14
40042079	22	10	40066602	28	54	40086615	18	7
40042086	50	27	40067412	26	1	40086616	18	13
40044065	58	2	40067413	26	3	40086617	18	36
40044190	52	14	40069097	2	24	40086618	24	77
40050581	48	24	40069110	2	20	40086639	4	49
40050582	14	39	40069369	52	43	40086640	4	57
40050583	14	21	40069370	52	44	40086643	14	38
40050586	48	13	40075404	32	23	40086646	32	32
40050587	52	12	40077851	40	29	40086647	32	33
40050588	48	18	40077852	40	16	40086648	32	15
40050589	52	17	40077853	40	2	40086655	36	34
40051473	10	12	40082059	32	1	40086659	4	71
40051474	10	13	40082078	14	30	40086660	4	72
40052819	2	3	40082582	26	37	40086674	18	17
40052933	2	45	40082583	28	50	40086675	18	18
40053411	52	39	40082584	28	59	40086676	40	1
40053720	22	40	40082585	28	51	40086678	40	17
40055058	52	38	40082588	26	41	40086679	40	32

NUMERICAL INDEX OF PARTS

PART NO	PAGE	REF NO.	PART NO	PAGE	REF NO.	PART NO	PAGE	REF NO.
40086680	40	31	40089665	44	1・2	40135907	10	42
40086690	22	45	40089671	44	3・4	40135916	10	3
40086693	32	41	40090058	10	32	40136292	10	18
40086695	18	2	40091140	46	1~4	40136293	10	19
40086696	18	3	40091397	6	91	40136700	14	1
40086697	34	48	40091461	2	38	40141165	10	39
40086698	36	13	40094561	2	11	40141440	10	22
40086699	36	35	40095175	40	5	40141443	24	81
40086704	18	8	40095844	36	12	40141838	18	33
40086705	18	9	40095847	18	40	40141840	18	32
40086706	18	12	40096325	42	21	40141841	18	34
40086713	2	6	40096326	42	10	40141842	18	29
40086714	2	34	40096327	42	12	40141843	50	8
40086716	40	35	40098329	32	31	40143184	10	41
40086717	40	19	40098386	4	77	40145927	24	58
40086723	40	3	40099736	46	1~4	40149785	32	45
40086724	40	4	40099737	46	1~4	40150011	10	7
40086731	10	24	40100038	38	8	40161440	18	31
40086732	2	33	40100043	38	1	40161441	20	44
40086735	18	1	40100046	38	3	40162657	38	11
40086736	18	37	40100047	38	22	40163071	64	1
40086737	18	20	40100048	38	25	40163072	62	1
40086738	18	15	40100050	38	9	40164902	64	2
40086739	18	21	40100135	28	62	B1109012I0B	4	85・86
40086740	24	70	40100172	38	18	B1109552000	6	92
40086741	24	78	40102087	46	33	B1116210D00	44	8
40086742	24	79	40107707	10	26	B1505552000A	52	6
40086743	22	34	40107708	52	2	B1521555000	14	23
40086744	24	73	40108401	42	16	B15240120BA	14	26
40086750	36	1	40108402	42	1	B1613012I00	22	25
40086753	36	3	40113199	26	18	B3114232000	52	31
40086757	22	44	40113200	26	27	B3115552000	50	15
40086759	36	37	40113201	30	1	B3115552000	52	25
40086760	14	13	40113204	30	4	B3118552F00	16	54
40088958	8	24	40114043	2	44	B3120125000	50	16
40088959	8	26	40122891	18	42	B3120125000	52	26
40089196	10	11	40123098	18	30	B3126012000	50	13
40089263	30	16	40131641	60	1	B3126012000	52	27
40089264	40	6	40135639	32	2	B3128012000	52	28
40089274	48	6	40135640	32	13	B3132552000	50	12
40089323	46	29	40135803	46	28	B3132552000	52	29
40089605	52	1	40135900	10	37	B412352200A	22	28~30
40089607	24	75	40135904	10	2	B412352200B	22	28~30
40089610	52	9	40135905	10	38	B412352200C	22	28~30
40089663	46	1~4	40135906	10	40	B8210012000	56	6

NUMERICAL INDEX OF PARTS

PART NO	PAGE	REF NO.	PART NO	PAGE	REF NO.	PART NO	PAGE	REF NO.
B8228125000	32	44	MDB100B1100	50	3·6·7	RO092270200	18	43
B9117012000	46	31	MDB100B1400	10	34~36	RO098240100	32	25
B9117012000	52	5	MDB100B1400	46	21~27	RO172180100	32	26
B91210120A0	46	20	MDB100B2100	46	21~27	RO195240100	32	4
CM300200001	2	23	MDB100B2100	52	4	SB117001200	24	51
CM300200003	2	25	NM6040000SN	30	20	SB120001800	24	80
CM301300001	2	29	NM6040001SP	2	42	SB120002700	10	21
CM600100101	4	87	NM6050001SC	34	51	SB32000060A	24	48~50
CM600100201	46	30	NM6050001SD	26	32	SB32000060B	24	48~50
CM600600101	4	88	NM6050001SE	42	25	SB32000060C	24	48~50
CQ200000001	32	20	NM6050001SP	36	10	SD0380551SL	28	48
CQ250000001	32	9	NM6060001SE	44	11	SD0460703TP	48	22
CS1000881TP	12	47	NM6060003SE	14	31	SD0460703TP	52	18
D1524555DBB	50	5	NS6090310SP	40	21	SD0500131TP	52	19
D1524555EBL	52	7	NS6110310SP	26	45	SD0500251SP	26	53
D1613155W00	50	4	NS6110310SP	40	22	SD0500251SP	28	53
D2422530D00	26	44	NS6110350SP	38	7	SD0500402SP	26	43
D2468555B00	36	5	NS6150310SP	26	17	SD0630275SP	28	58
D3128555D00	50	18	NS6150310SP	44	22	SD0640321TP	26	36
D3129555D00	50	17	NS6620310SP	16	44	SD0641456TP	28	57
D5119206K0K	16	50	NS6660410SH	30	18	SD0650321TP	40	25
D8204555D00	56	21	NS6660430SP	30	19	SD0720331SP	44	25
D8226555E00	56	7	PS0300062KH	28	56	SD1001506TP	38	10
EA9500B0100	2	78	RC0370411KP	40	23	SK3311600SE	56	19
EA9500B0100	4	78	RC0560711KP	8	18	SK3382001SC	56	15
EA9500B0100	12	50	RC1200001KP	24	83	SK3415001SE	58	6
EA9500B0100	36	28	RC1200001KP	28	47	SK3513200SC	56	22
EA9500B0100	46	9	RC2651218KP	30	8	SL4030631SC	40	26
GPK700010A0	56	9	RE0300000K0	10	43	SL4030641SE	40	27
GPK710010A0	56	20	RE0400000K0	8	19	SL6040892TN	32	42
HK03464000B	30	22	RE0500000K0	14	45	SL6051492TN	32	43
HK03464000B	36	2	RE0500000K0	16	45	SL6052092TN	28	60
HK03464000B	40	7	RE0500000K0	18	24	SL6052592TN	12	49
HW500070000	40	8	RE0500000K0	26	40	SL6053592TN	16	52
J1063000000	52	33	RE0500000K0	40	24	SL6061292TN	28	64
MAO11532000	58	7	RE0600000K0	38	13	SL6061292TN	30	23
MC200500650	46	21~27	RE1000000K0	44	24	SL6061292TN	32	27
MC200500650	50	3·6·7	RE1200000K0	36	4	SM0050801SC	8	32
MC200500750	10	34~36	RO036080200	24	85	SM2040750TP	2	28
MC200500750	46	21~27	RO037180100	14	25	SM2040955TP	2	27
MC200501300	46	21~27	RO037180100	32	39	SM4021201SC	4	79
MDB100B0900	46	21~27	RO044240100	16	53	SM4040601SC	34	49
MDB100B0900	50	3·6·7	RO048190100	34	47	SM4040655SP	2	36
MDB100B1100	10	34~36	RO068190100	32	16	SM4040655SP	22	42
MDB100B1100	46	21~27	RO080150200	4	83	SM4040655SP	28	55

NUMERICAL INDEX OF PARTS

PART NO	PAGE	REF NO.	PART NO	PAGE	REF NO.	PART NO	PAGE	REF NO.
SM4040855SP	2	22	SM80606A2TP	52	42	SS8150822TP	22	3
SM4040855SP	14	36	SM80608A2TP	2	70	SS8151150TP	22	39
SM4050501SC	48	2	SM80608A2TP	4	70	SS8151150TP	52	45
SM4050501SC	50	21	SM80608A2TP	10	44	SS8660610TP	22	24
SM4050655SP	4	80	SM80608A2TP	18	26	SS8660612TP	30	3
SM4050655SP	62	2	SM80608A2TP	24	82	SS8661012TP	22	66
SM4050855SP	2	19	SM8063012TR	44	12	SS8661012TP	24	66
SM4050855SP	22	19	SM8081652TP	10	5	TA0850604R0	10	51
SM4051055SP	2	89	SM8081652TP	52	41	TA0850604R0	12	51
SM4051055SP	4	89	SM8480652TP	36	36	TA1250406R0	2	43
SM4051055SP	8	33	SM9061203SE	44	34	TA1470704R0	2	41
SM4051055SP	24	76	SM9061853SR	44	27	WP0430800SC	30	21
SM4051055SP	36	24	SM9062053SR	44	21	WP0450826SC	8	23
SM4051055SP	40	37	SM9086523SE	56	24	WP0480856SP	22	18
SM4051255SP	2	32	SQ2050453MZ	32	14	WP0501016SD	6	95
SM4051405SE	42	24	SS2060210SP	48	15	WP0501016SD	16	55
SM5040401SE	38	2	SS2060210SP	52	20	WP0501016SD	34	50
SM5040655SN	4	68	SS4080620TP	22	27	WP0501016SD	38	21
SM5040655SN	8	20	SS4080620TP	48	16	WP0531000SD	38	15
SM5040655SN	32	29	SS4080620TP	52	21	WP0531001SC	28	66
SM6040602TP	14	9	SS4110615SP	40	30	WP0531001SC	42	15
SM6050802TP	38	20	SS6060210SP	2	18	WP0550800SP	6	90
SM6051002TP	26	34	SS6090540SP	40	28	WP0550800SP	36	7
SM6051202TP	38	17	SS6090620TP	22	12	WP0551016SH	36	9
SM6051400SP	14	4	SS6090670TP	10	31	WP0621016SD	6	94
SM6051400SP	22	17	SS6090670TP	22	53	WP0621016SD	14	33
SM6051402TP	14	37	SS6090670TP	24	53	WP0621016SH	26	16
SM6051402TP	32	28	SS6090670TP	26	13	WP0641601SD	38	24
SM6051602TP	18	19	SS6110420TP	48	7	WP0650876SD	44	18
SM6051602TP	36	14	SS6110610TP	4	59	WP0651001SC	40	34
SM6051850TP	18	28	SS6110710TP	22	35	WP0651056SH	26	28
SM6052502TP	2	26	SS6110710TP	26	25	WP0661016SP	40	33
SM6061002TP	2	7	SS6110710TP	30	26	WP0871602SE	56	28
SM6061002TP	38	23	SS6121610SP	22	11	WP1602616SZ	36	6
SM6061202TP	2	35	SS6121860SP	18	35	WP1612616SE	42	22
SM8040612TP	60	2	SS6621212TP	26	46	WS0510002KN	42	14
SM8040802TP	8	21	SS7080510TP	10	10	WS0610002KN	36	11
SM8050412TP	12	48	SS7091110TP	14	27	WS0861410KR	56	27
SM8050502TP	8	22	SS7110740TP	26	21			
SM80506A2TP	10	20	SS7110740TP	36	29			
SM80506A2TP	18	4	SS8090670SP	4	58			
SM8053002TP	26	33	SS8090670SP	50	19			
SM80606A2TP	10	6	SS8090670SP	52	32			
SM80606A2TP	18	47	SS8110410TP	26	24			
SM80606A2TP	20	47	SS8110520TP	30	7			