

MODEL : MEB-3810N

List No : 1659-02

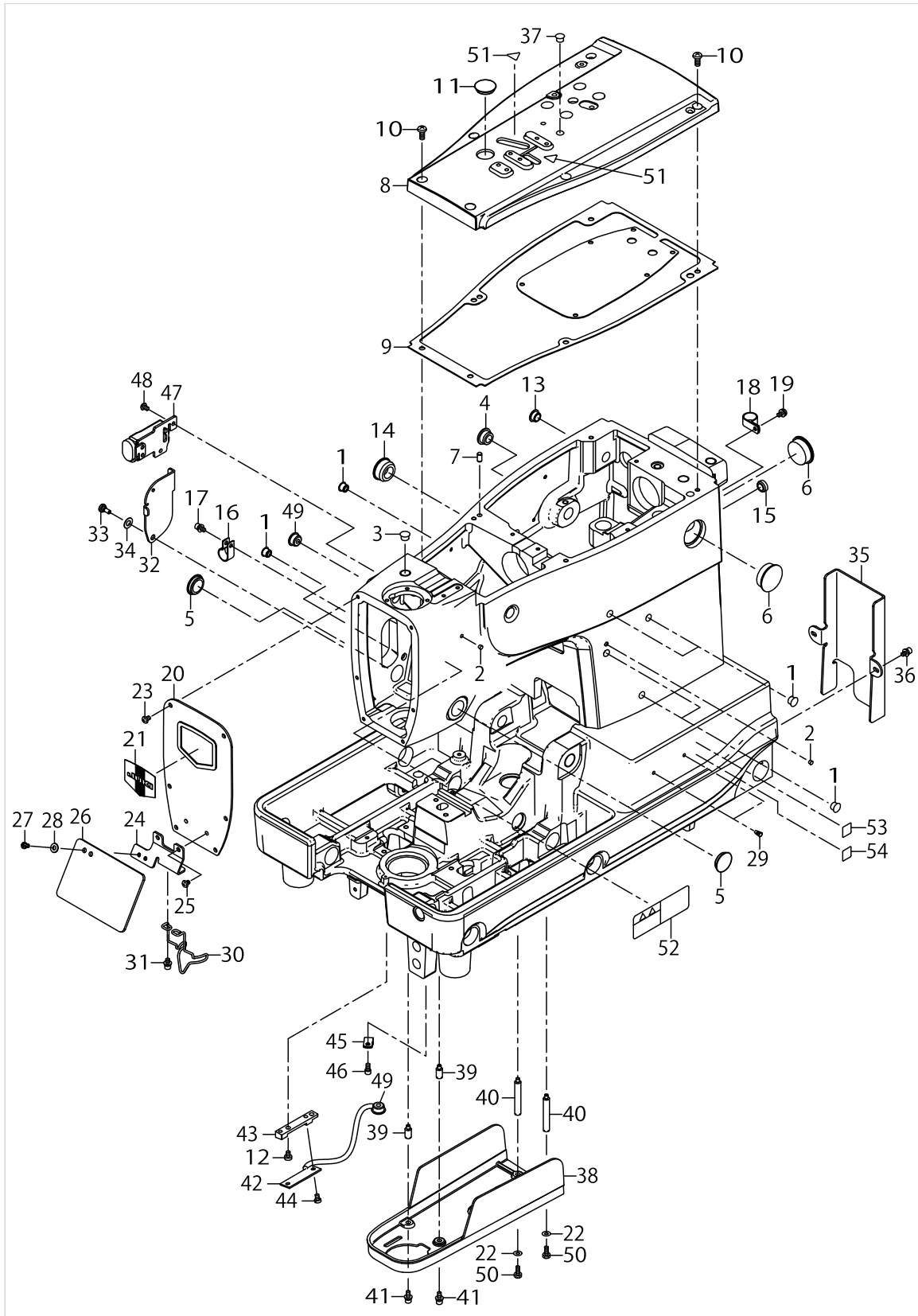
PARTS LIST

Published:05/12/2017

CONTENTS

FRAME & MISCELLANEOUS COVER COMPONENTS(1).....	1
FRAME & MISCELLANEOUS COVER COMPONENTS(2).....	5
BOTTOM COVER COMPONENTS.....	9
FEED COMPONENTS.....	15
CLOTH OPEN COMPONENTS.....	19
LOWER THREAD CUTTING COMPONENTS (TYPE 01).....	23
UPPER THREAD CUTTING COMPONENTS.....	27
PRESSER COMPONENTS (1).....	29
PRESSER COMPONENTS (2).....	31
PRESSER COMPONENTS (COMMON).....	33
REVOLUTION COMPONENTS.....	37
LOOPER DRIVING COMPONENTS.....	39
LOWER SHAFT COMPONENTS.....	43
UPPER SHAFT COMPONENTS.....	47
VERTICAL SHAFT COMPONENTS.....	51
NEEDLE BAR ROCKING COMPONENTS.....	53
NEEDLE BAR COMPONENTS.....	55
THREAD TAKE-UP LEVER COMPONENTS.....	57
LOWER THREAD HAUL COMPONENTS.....	59
UPPER THREAD HAUL COMPONENTS.....	61
GIMP HAUL COMPONENTS.....	63
CLOTH CUTTING COMPONENTS.....	65
UPPER THREAD CLAMP UNIT.....	69
LUBRICATION MECHANISM COMPONENTS.....	73
AIR COMPONENTS.....	77
OPERATION BOX COMPONENTS.....	79
TRANSMISSION COMPONENTS.....	81
WIRING DIAGRAM.....	87
ACCESSORY PARTS COMPONENTS.....	89
TABLE COMPONENTS.....	91
OPTION COMPONENTS (1).....	93
OPTION COMPONENTS (2)(FOR SEMI-SUNKEN).....	95
TABLE OF EXCHANGING GAUGE PARTS (1).....	97
TABLE OF EXCHANGING GAUGE PARTS (2).....	99
TABLE OF EXCHANGING GAUGE PARTS (3).....	101
LIST FOR INFORMATION OF CHANGE.....	103
HOW TO MAKE USE OF THIS PARTS LIST.....	104

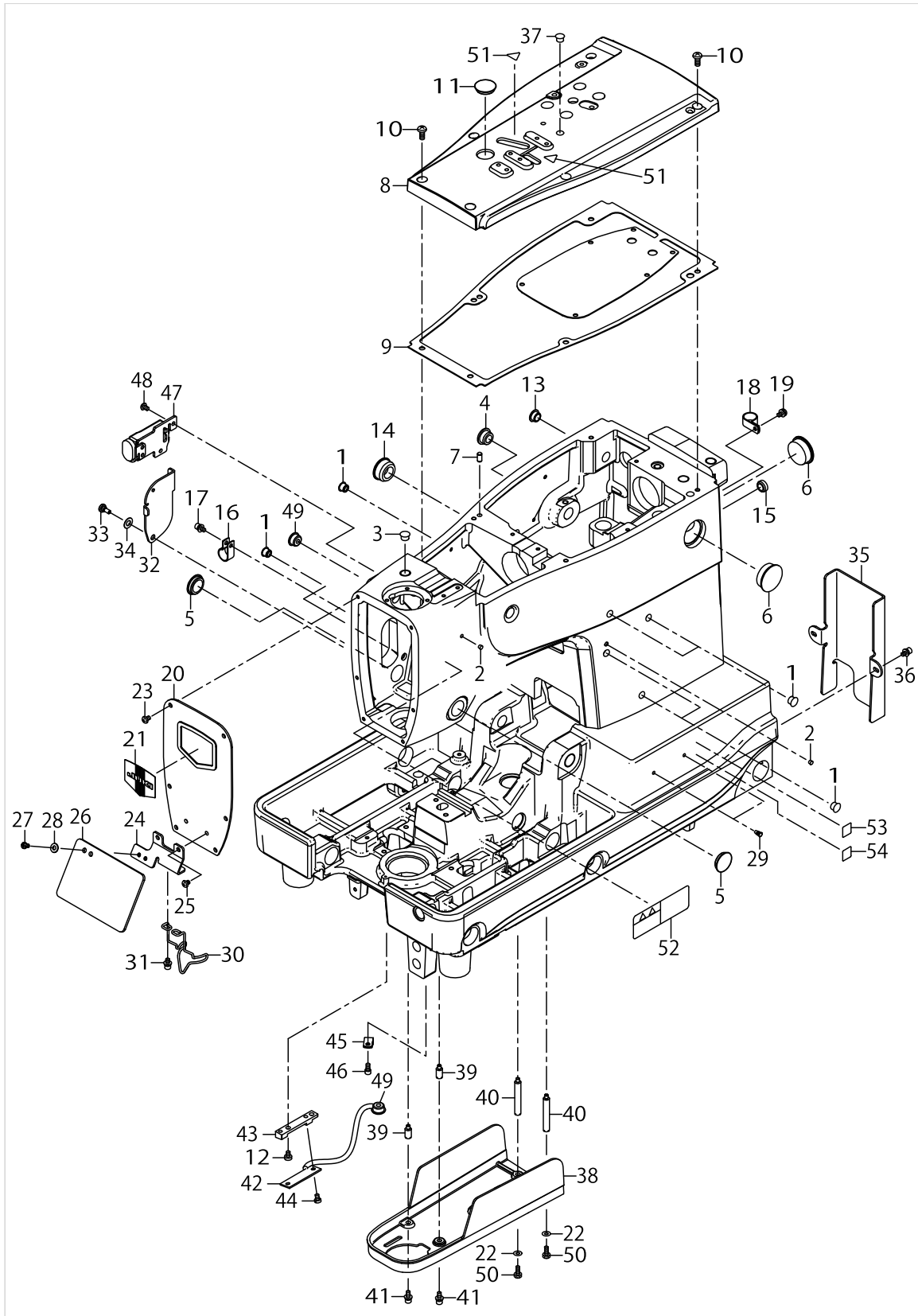
FRAME & MISCELLANEOUS COVER COMPONENTS(1)



FRAME & MISCELLANEOUS COVER COMPONENTS(1)

No.	Supply Code	Parts No.	Replacement	Parts name	Remarks	Choice	Step	Level	Cons	Qty	Rep. QTY
1		TA0850604R0		RUBBER PLUG						6	
2		TA0370301R0		PLUG D=3.7X4.4 L=3						2	
3		TA1050504R0		RUBBER PLUG						1	
4		TA1470704R0		RUBBER PLUG						1	
5		TA2050406R0		RUBBER PLUG						2	
6		B3501210000		OIL GAUGE						2	
7		PH0500102C0		PIN M5 L=10						1	
8		40115110		TOP COVER						1	
9		40145286		COVER PACKING						1	
10		SM4051255SP		SCREW M5 L=12						6	
11		TA2050406R0		RUBBER PLUG						1	
12		SM6040610SC		SCREW M4X0.7 L=6						2	
13		TA1250406R0		RUBBER PLUG D=12.5 L=4						1	
14		TA2351004R0		RUBBER PLUG						1	
15		TA1270502R0		RUBBER PLUG						1	
16		HX00150000F		CABLE CLIP						1	
17		SL6040892TN		BOLT						1	
18		HX00150000H		CABLE CLIP						1	
19		SL4040891SC		SCREW M4 L=8						1	
20		40115113		FACE COVER						1	
21		22902506		FACE PLATE						1	
22		WP0430800SD		WASHER M4						2	
23		SM4040655SP		SCREW M4 L=6						6	
24		40115119		SAFETY PLATE BRACKET						1	
25		SM4040655SP		SCREW M4 L=6						2	
26		26037200		SAFETY PLATE						1	
27		SM4040655SP		SCREW M4 L=6						2	
28		WP0450826SC		WASHER 4.5X10X0.8						2	
29	D	11001005		SCREW						2	
30		40115120		FINGER GUARD						1	
31		SL6040892TN		BOLT						2	
32		40115121		ADJUST COVER						1	
33		SD0600277TP		SHOULDER SCREW D=6 H=2.7						1	
34		WZ0620550KP		WASHER						1	
35		40133594		LOWER_SPROCKET_COVER						1	
36		SL6040892TN		BOLT						2	
37		TA0850604R0		RUBBER PLUG						1	
38		40115125		REVOLUTION COVER						1	
39		40115126		STUD A						2	
40		40115127		STUD B						2	
41		SL6041092TN		SCREW						2	
42		40114380		LED PCB ASSY						1	
43		40115129		LED BASE						1	
44		SM6040602TP		SCREW M4 L=6						2	
45		HX00150000B		CABLE CLIP						1	
46		SM6040802TP		SCREW M4X0.7 L=8						1	

FRAME & MISCELLANEOUS COVER COMPONENTS(1)



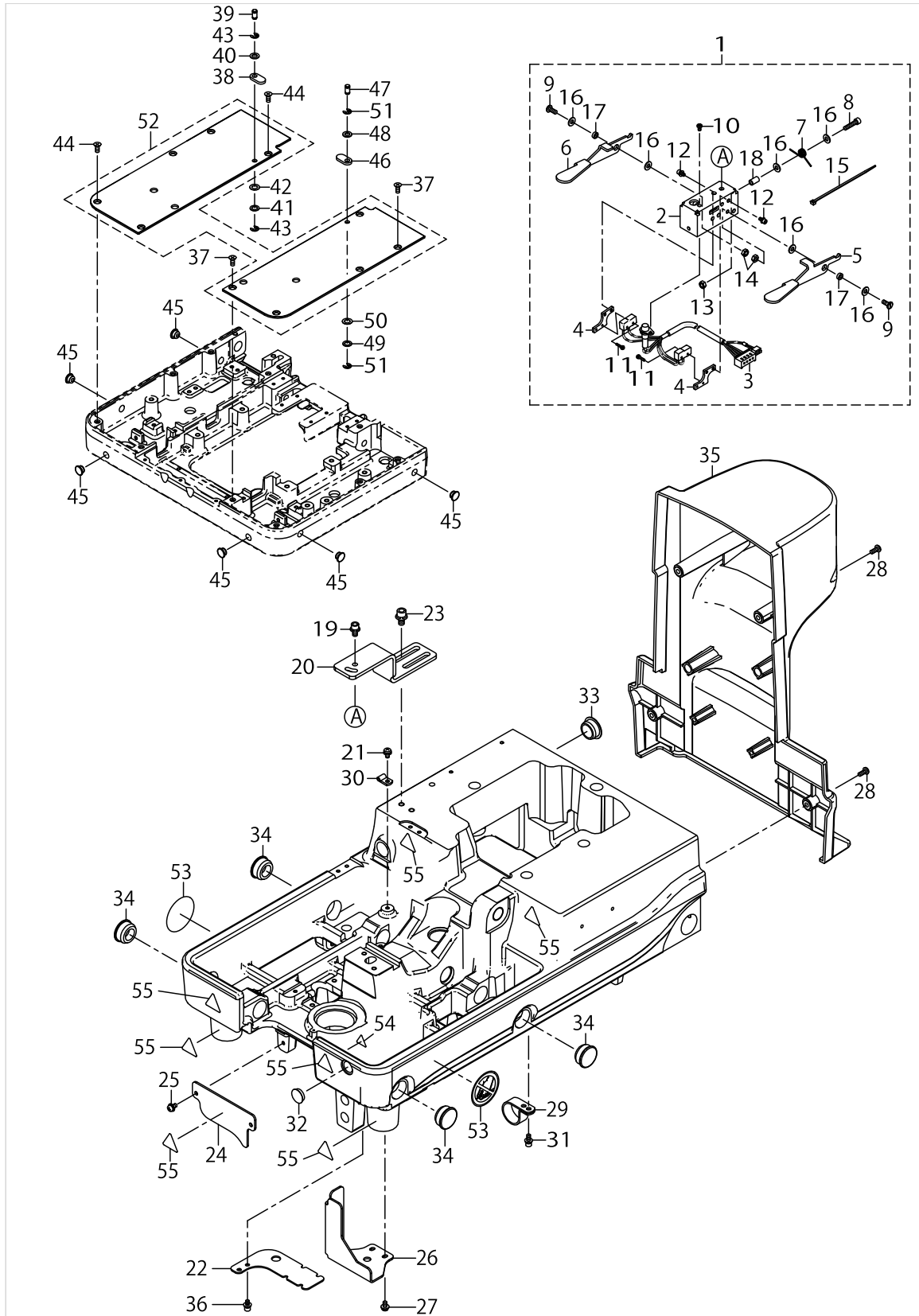
FRAME & MISCELLANEOUS COVER COMPONENTS(1)

No.	Supply Code	Parts No.	Replacement	Parts name	Remarks	Choice	Step	Level	Cons	Qty	Rep. QTY
47		40114427		SWITCH ASM.						1	
48		SM4040655SP		SCREW M4 L=6						2	
49		10622009		COAD BUSH						2	
50		SM9041050SC		SCREW M4X0.7 L=10						2	
51		CM300200001		ATTENTION SEAL						2	
52		CM301300001		SAFETY LABEL						1	
53		CM600100101		WEEE MARK LABEL S	FOR CE					1	
54		40150131		EAC_MARK_LABEL_S	FOR CE					1	

FRAME & MISCELLANEOUS COVER COMPONENTS(2)

No.	Supply Code	Parts No.	Replacement	Parts name	Remarks	Choice	Step	Level	Cons	Qty	Rep. QTY
1		40115136		START SWITCH ASM						1	
2		40115137		SWITCH BOX				*		1	
3		40114430		LED SW ASM.				*		1	
4		32078800		SWITCH FITTING PLATE				*		2	
5		40115138		SWITCH LEVER R				*		1	
6		40115139		SWITCH LEVER L				*		1	
7		32079105		LEVER RETURN SPRING				*		1	
8		SM6041802TP		SCREW M4 L=18				*		1	
9		SM6041050TP		SCREW				*		2	
10		SM4030501SC		SCREW M3X0.5 L=5				*		1	
11		SL4021091SC		SCREW M2 L=10				*		4	
12		SL6030692TN		SCREW M3 L=6				*		4	
13		NM6040001SD		NUT M4				*		1	
14		NM6040001SD		NUT M4				*		2	
15		EA9500B0100		CABLE BAND				*		1	
16		WP0450801SP		WASHER				*		6	
17		40115140		COLLAR A				*		2	
18		40115141		COLLAR B				*		1	
19		SL6051292TN		BOLT						2	
20		40145245		START SWITCH BKT						1	
21		SL4040891SC		SCREW M4 L=8						1	
22		40145268		CABLE HOLDER PLATE						1	
23		SL6061292TN		SCREW						2	
24		40145261		LOOPER CAM COVER A						1	
25		SL4040891SC		SCREW M4 L=8						4	
26		40145262		LOOPER CAM COVER B						1	
27		SL4040891SC		SCREW M4 L=8						2	
28		SM5041055SN		SCREW M4X10						4	
29		HX00150000N		CABLE CLIP						2	
30		HX001500000		CLIP						1	
31		SL6041092TN		SCREW						2	
32		TA1450404R0		RUBBER PLUG D=14.5 L=4						1	
33		TA2100904R0		RUBBER PLUG						1	
34		TA2351305R0		RUBBER PLUG						4	
35		40115116		REAR COVER						1	
36		SL6040892TN		BOLT						2	
37		SM1041001SN		SCREW M4X0.7 L=10						5	
38		14012504		CLAMP HOLDING PLATE						1	
39		32002008		VERTICAL SHAFT						1	
40		WP0550800SP		WASHER 5.5X10X0.8						1	
41		26217604		WASHER						1	
42		WZ0620290KP		WAVED WASHER						1	
43		RE0400000KP		E-RING 4						2	
44		SM1041001SN		SCREW M4X0.7 L=10						5	
45		TA0850604R0		RUBBER PLUG						6	
46		14012504		CLAMP HOLDING PLATE						1	

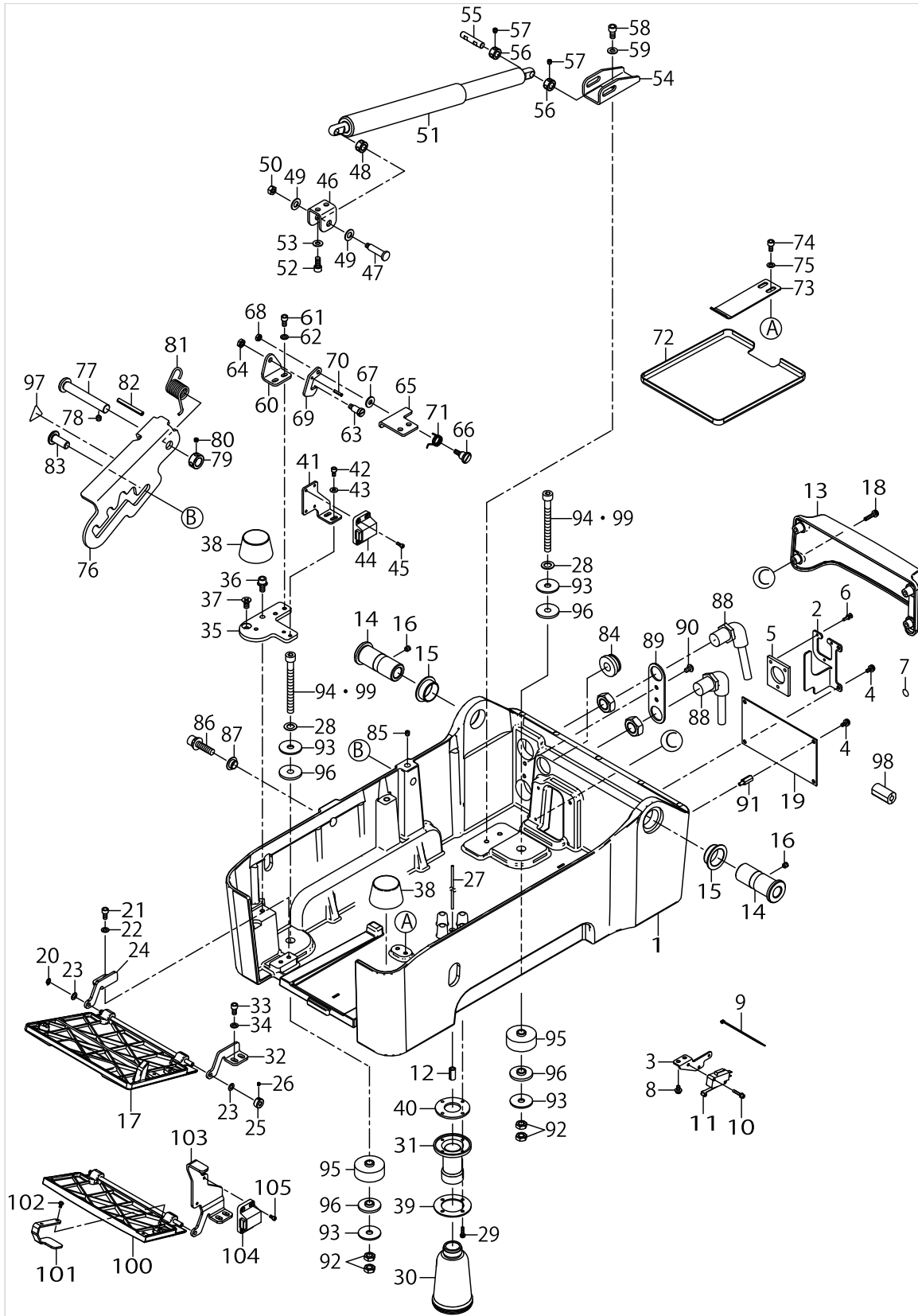
FRAME & MISCELLANEOUS COVER COMPONENTS(2)



FRAME & MISCELLANEOUS COVER COMPONENTS(2)

No.	Supply Code	Parts No.	Replacement	Parts name	Remarks	Choice	Step	Level	Cons	Qty	Rep. QTY
47		32002008		VERTICAL SHAFT						1	
48		WP0550800SP		WASHER 5.5X10X0.8						1	
49		26217604		WASHER						1	
50		WZ0620290KP		WAVED WASHER						1	
51		RE0400000KP		E-RING 4						2	
52		40145244		FEED BASE COVER ASM.						1	
53		CM100300001		MUST NOT HOLD LABEL						2	
54		CM300200001		ATTENTION SEAL						1	
55		CM300200002		CAUTION LABEL(25)						7	

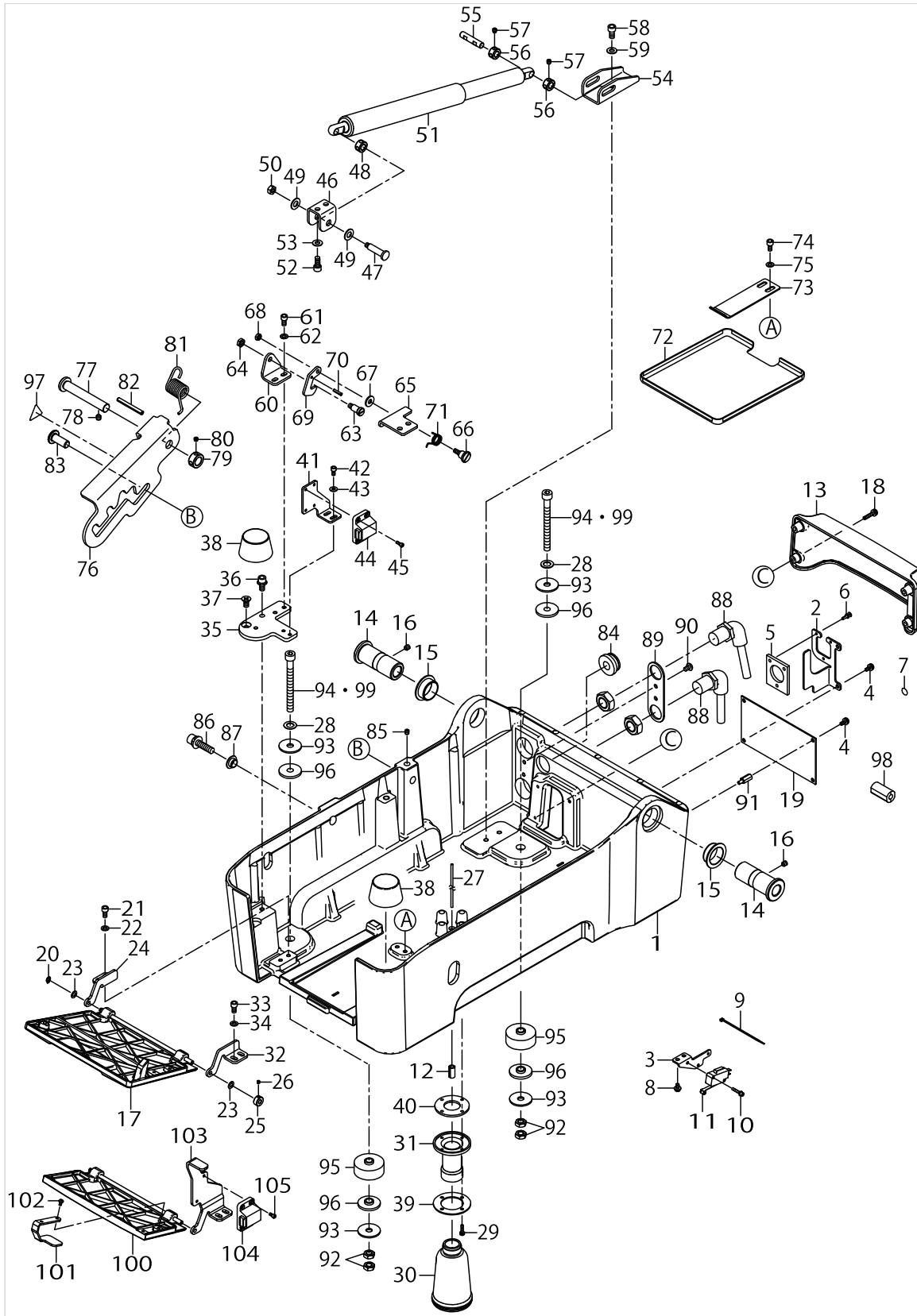
BOTTOM COVER COMPONENTS



BOTTOM COVER COMPONENTS

No.	Supply Code	Parts No.	Replacement	Parts name	Remarks	Choice	Step	Level	Cons	Qty	Rep. QTY
1		40145291		BOTTOM COVER						1	
2		40119992		CABLE HOLDER PLATE						1	
3		40145265		RAISE SENSOR BRACKET						1	
4		SL4041091SC		SCREW M4 L=10						4	
5		40120513		CABLE FELT						1	
6	D	HX00094000C		NYLON RIVET						3	
7		22901805		GROUND MARK						1	
8		SL4040891SC		SCREW M4 L=8						2	
9		EA9500B0100		CABLE BAND						1	
10		SL6031692TN		SCREW						2	
11		32002255		SWITCH ASM.						1	
12		PS0800162KP		SPRING PIN 8X16						1	
13		40115189		INT COVER						1	
14		40115162		HINGE SHAFT						2	
15		40115163		HINGE BUSH						2	
16		SM8060612TP		SCREW M6 L=6						2	
17		40145275		FRONT COVER ASSY	FOR DESK TOP					1	
18		SL4042081SC		SCREW						4	
19		40114390		INT PCB ASM						1	
20		RC0470611KP		RETAINING RING 4.7						1	
21		SM6051002TP		SCREW M5X0.8 L=10						2	
22		WP0550800SP		WASHER 5.5X10X0.8						2	
23		WZ0540100KH		WAVE WASHER 5.4X10X0.1						2	
24		40145278		FRONT COVER BASE A						1	
25		40040243		SPRING_HOOK						1	
26		SM8030402TP		SCREW M3X0.5 L=4						1	
27		CQ252000000		OIL WICK						12	
28		12922605		GASKET						4	
29		SL4031481SC		SCREW M3X14						4	
30		B9121012000		OIL CAN						1	
31		B8202205000		OIL MANAGEMENT						1	
32		40115170		FRONT COVER BASE B	FOR DESK TOP					1	
33		SM6051002TP		SCREW M5X0.8 L=10						2	
34		WP0550800SP		WASHER 5.5X10X0.8						2	
35		40115171		BASE PLATE						1	
36		SL6061492TN		BOLT						1	
37		SM1061201SN		SCREW M6 L=12						1	
38		40115159		STOPPER RUBBER						2	
39		B8111220000		WASHER						1	
40		B8112220000		OIL SEAL						1	
41		40115173		RATCH BRACKET B	FOR DESK TOP					1	
42		SM6040802TP		SCREW M4X0.7 L=8	FOR DESK TOP					2	
43		WP0450801SP		WASHER	FOR DESK TOP					2	
44		40115174		MC LATCH	FOR DESK TOP					1	
45		SM6030602TP		SCREW M3X0.5 L=6	FOR DESK TOP					4	
46		40115175		GAS SPRING BRACKET UPPER						1	

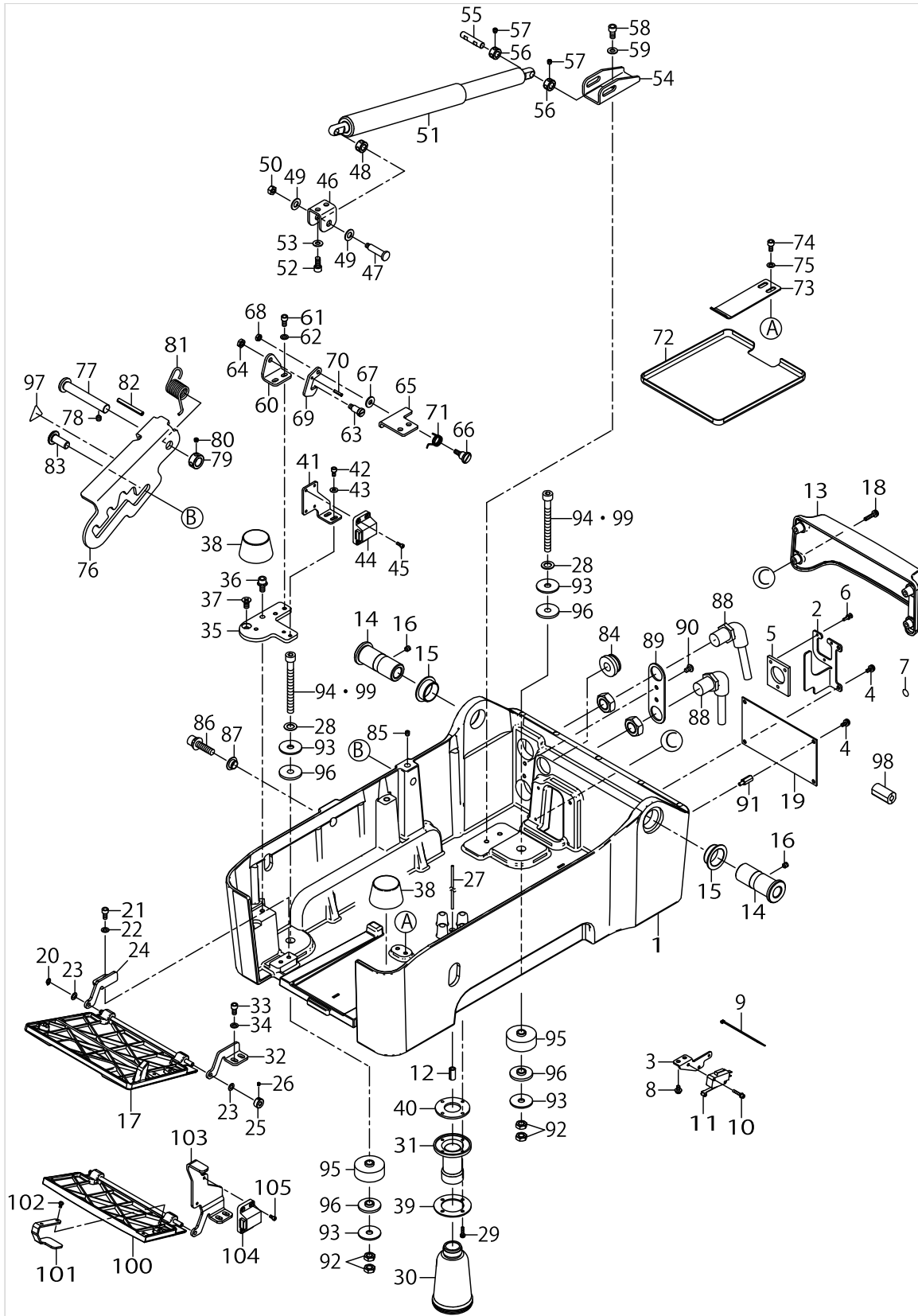
BOTTOM COVER COMPONENTS



BOTTOM COVER COMPONENTS

No.	Supply Code	Parts No.	Replacement	Parts name	Remarks	Choice	Step	Level	Cons	Qty	Rep. QTY
47		40089784		SHOULDER SCREW						1	
48		CS0800881TP		THRUST COLLAR						1	
49		B1223771000		NEEDLE ROD CRANK WASHER						2	
50		NM6060001SC		NUT M6						1	
51		40100390		GAS SPRING ASM.						1	
52		SM6061402TP		SCREW M6 L=14						2	
53		WP0621016SH		WASHER						2	
54		40115176		GAS SPRING BRACKET LOWER						1	
55		40100145		GAS SPRING SHAFT L						1	
56		CS0800881TP		THRUST COLLAR						2	
57		SM8050512TP		SCREW						4	
58		SM6061202TP		SCREW M6 L=12						2	
59		WP0621016SH		WASHER						2	
60		40115177		ROCK BASE A						1	
61		SM6051002TP		SCREW M5X0.8 L=10						2	
62		WP0550800SP		WASHER 5.5X10X0.8						2	
63		SD0791276TP		SHOULDER SCREW						1	
64		NM6060003SC		NUT M6						1	
65		40115178		ROCK BASE B						1	
66		40115179		SHOULDER SCREW						1	
67		WP0553216SD		WASHER						1	
68		NM6050003SC		NUT M5X0.8						1	
69		40115180		ROCK LEVER						1	
70		PS0300142KH		SPRING PIN 0.3X14						1	
71		40115181		ROCK SPRING						1	
72		40115182		DUST TRAY						1	
73		40115183		FIXED PLATE						1	
74		SM6051002TP		SCREW M5X0.8 L=10						2	
75		WP0550800SP		WASHER 5.5X10X0.8						2	
76		40115184		HINGE STOPPER						1	
77		40115185		PIVOT SHAFT						1	
78		SM8060612TP		SCREW M6 L=6						1	
79		CS1200981TP		THRUST COLLAR D=12 W=9						1	
80		SM8050412TP		SCREW M5 L=4						2	
81		40115186		STOPPER SPRING						1	
82		PS0500452KP		SPRING PIN						1	
83		40134725		HINGE STOPPER SHAFT						1	
84		32006504		CLOTH WASTE BUSH						1	
85		SM8050612TP		SCREW M5X6						1	
86		SL6083092TN		SCREW						1	
87		E2193172000		PT EV PP METAL						1	
88		PJ304100004		UNION						2	
89		40115188		ELBOW BRACKET						1	
90		SM4050855SP		SCREW						2	
91		HX00339000F		SPACER						4	
92		NM6080003SC		NUT M8						8	

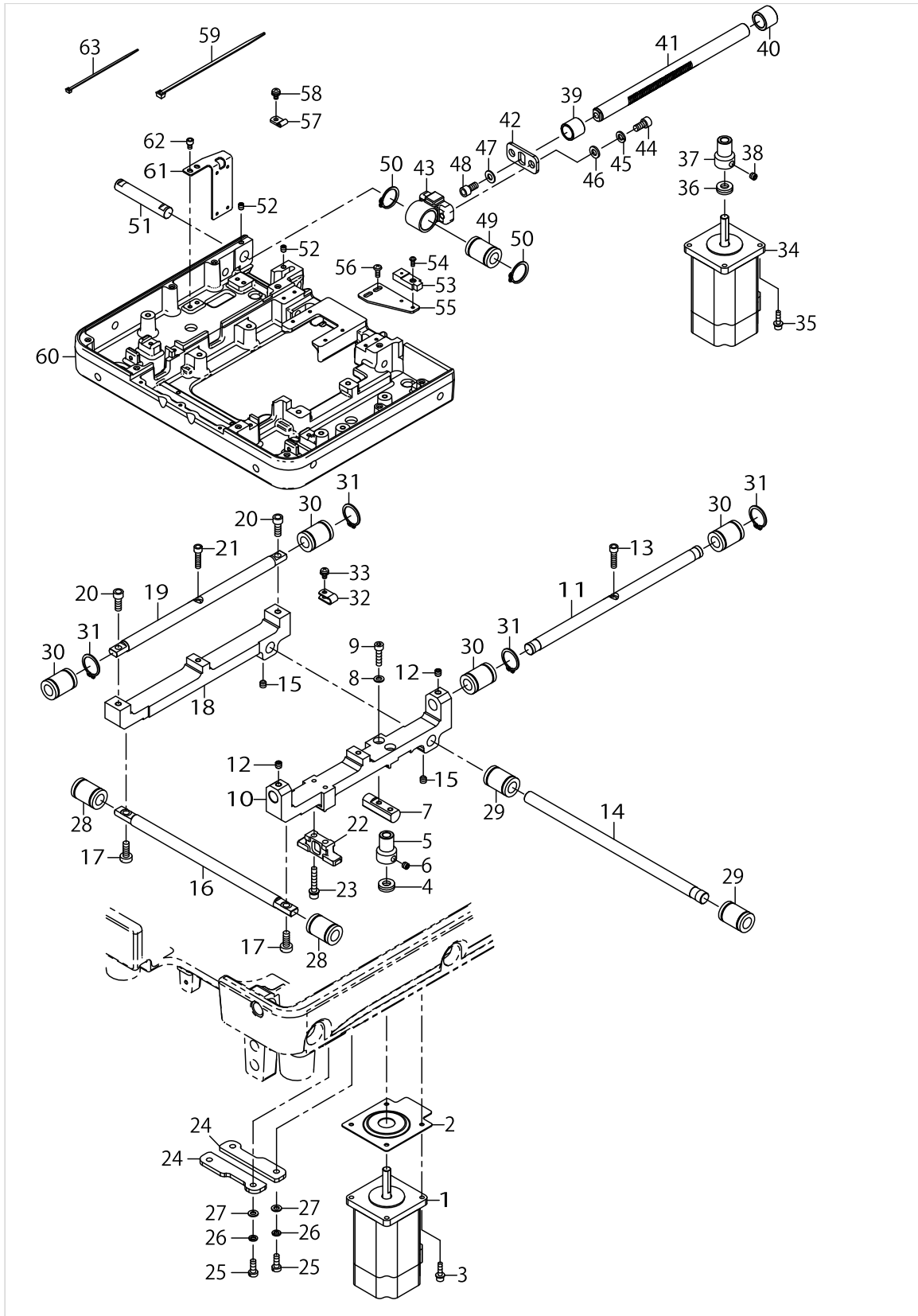
BOTTOM COVER COMPONENTS



BOTTOM COVER COMPONENTS

No.	Supply Code	Parts No.	Replacement	Parts name	Remarks	Choice	Step	Level	Cons	Qty	Rep. QTY
93		WP0852086SC		WASHER M8						8	
94		SM6088502TP		SCREW M8 L=85	FOR DESK TOP					4	
95		40115161		BOLT RUBBER B						4	
96		40145240		BOLT_RUBBER						8	
97		CM300200002		CAUTION LABEL(25)						1	
98		HN00149000D		CORES	FOR CE					3	
99		SM6085002TP		SCREW	FOR SEMI-SUNKEN					4	
100		40157821		FRONT COVER SST ASM.	FOR SEMI-SUNKEN					1	
101		40157823		HANDLE	FOR SEMI-SUNKEN					1	
102		ST5030651SN		TAPPING SCREW D=3 L=6	FOR SEMI-SUNKEN					2	
103		40157824		FRONT COVER BASE SST	FOR SEMI-SUNKEN					1	
104		40115174		MC_LATCH	FOR SEMI-SUNKEN					1	
105		SM6030602TP		SCREW M3X0.5 L=6	FOR SEMI-SUNKEN					2	

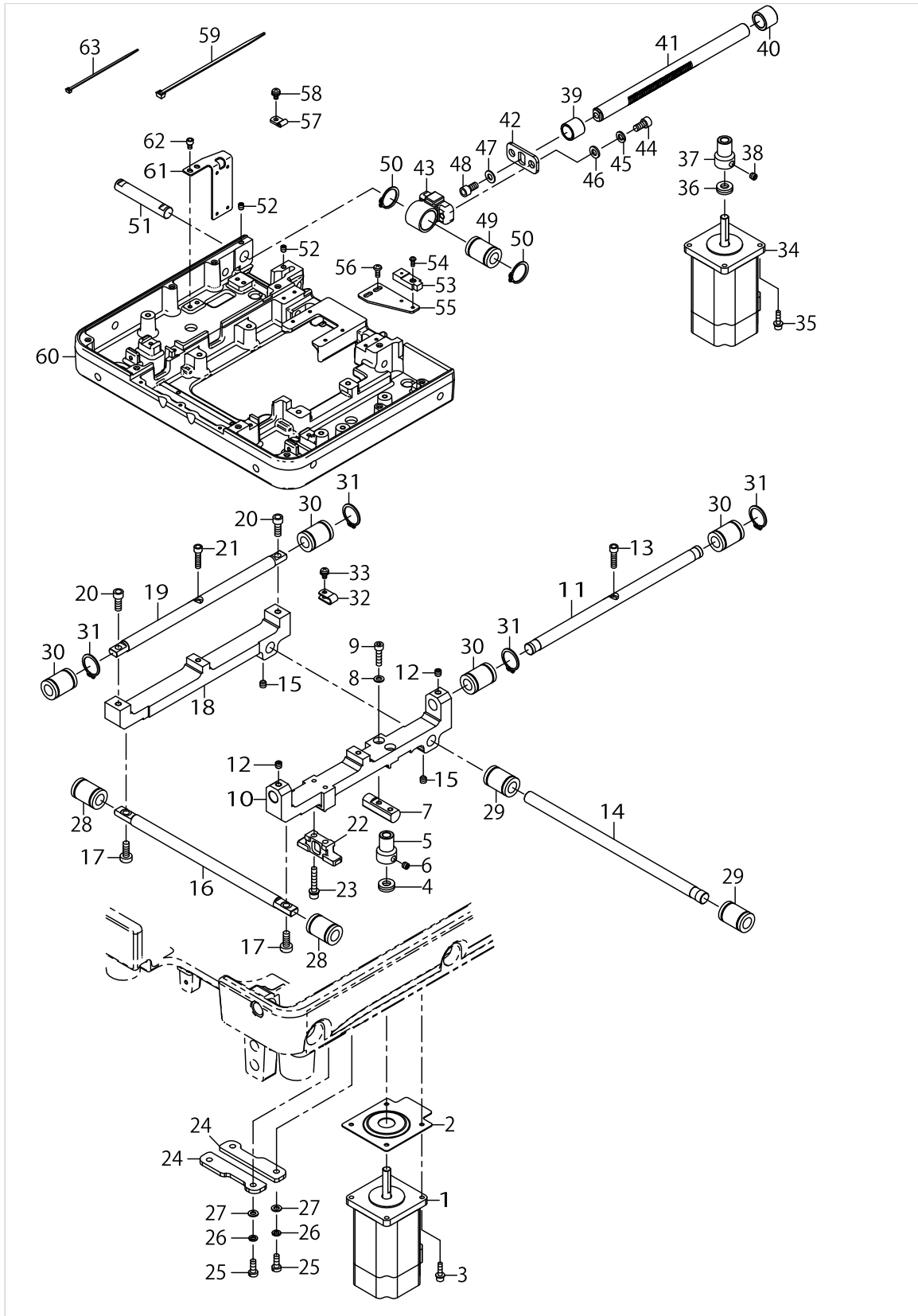
FEED COMPONENTS



FEED COMPONENTS

No.	Supply Code	Parts No.	Replacement	Parts name	Remarks	Choice	Step	Level	Cons	Qty	Rep. QTY
1		40149096		X_FEED_MOTOR						1	
2		40145288		X_MOTOR_COVER						1	
3		SL6041492TN		SCREW						4	
4		SB408000100		BEARING						1	
5		26501502		Y FEED GEAR						1	
6		SM8060602TP		SCREW M6X6						2	
7		40145253		RACK_GEAR						1	
8		WP0531000SD		WASHER M5						2	
9		SM6052502TP		SCREW M5X0.8 L=25						2	
10		40145252		GUIDE_SHAFT_FIXING_BASE_R						1	
11		40115203		VERTICAL_FEED_GUIDE_SHAFT_R						1	
12		SM8060612TP		SCREW M6 L=6						2	
13		SM6052002TP		SCREW M5 L=20						1	
14		40115205		PARALLEL_FEED_SHAFT						1	
15		SM8060612TP		SCREW M6 L=6						2	
16		40115206		PARALLEL_FEED_SHAFT_F						1	
17		SM6061650TP		SCREW						2	
18		40115202		GUIDE_SHAFT_FIXING_BASE_L						1	
19		40115204		VERTICAL_FEED_GUIDE_SHAFT_L						1	
20		SM6061650TP		SCREW						2	
21		SM6052002TP		SCREW M5 L=20						1	
22		40150132		FEED_SUPPORT_BLOCK						1	
23		SL6053092TN		SCREW						2	
24		40150133		FEED_SUPPORT_GUIDE						2	
25		SM6051400SP		SCREW						4	
26		WS0510002KN		SPRING WASHER M5						4	
27		WP0531000SC		WASHER 5.3X10X1						4	
28		E1902172000		INSERT CARRIAGE BUSH						2	
29		E1902172000		INSERT CARRIAGE BUSH						2	
30		E1902172000		INSERT CARRIAGE BUSH						4	
31		RC1951211KP		C-RING						4	
32		HX00150000A		CABLE CLAMP						1	
33		SL4040891SC		SCREW M4 L=8						1	
34		40149097		Y_FEED_MOTOR						1	
35		SL6041492TN		SCREW						4	
36		SB408000100		BEARING						1	
37		26501502		Y FEED GEAR						1	
38		SM8060602TP		SCREW M6X6						2	
39		40115209		METAL						1	
40		40115210		METAL						1	
41		40115211		VERTICAL_FEED_SHAFT						1	
42		40115212		VERTICAL_FEED_FIXING_PLATE						1	
43		40145251		BUSH_BRACKET						1	
44		SM6061202TP		SCREW M6 L=12						2	
45		WS0610002KN		SPRING WASHER 6.1X12.2X1.5						2	
46		WP0641601SD		WASHER M6						2	

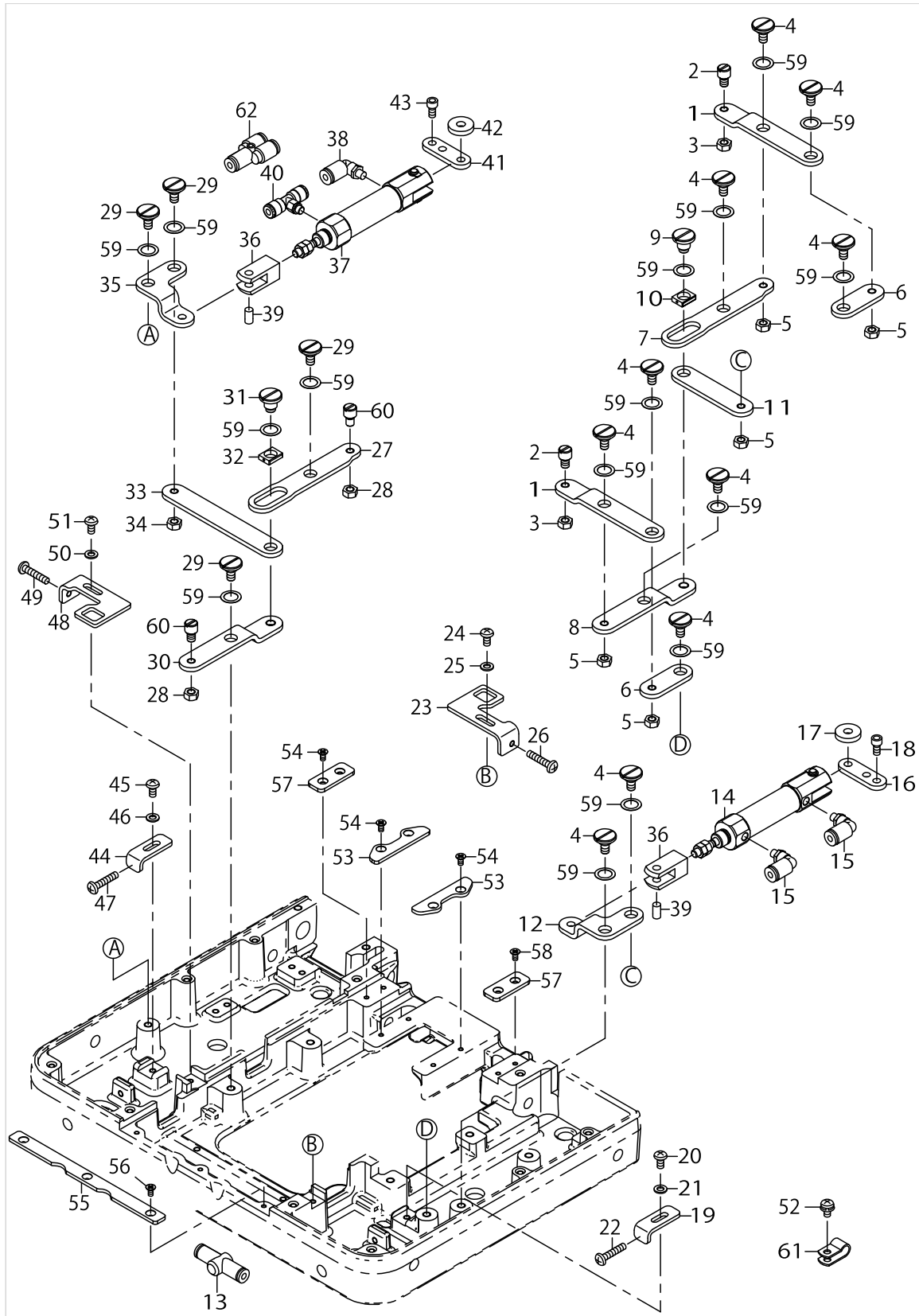
FEED COMPONENTS



FEED COMPONENTS

No.	Supply Code	Parts No.	Replacement	Parts name	Remarks	Choice	Step	Level	Cons	Qty	Rep. QTY
47		WP0621016SH		WASHER						1	
48		SM6061202TP		SCREW M6 L=12						1	
49		E1902172000		INSERT CARRIAGE BUSH						1	
50		RC1951211KP		C-RING						2	
51		40145238		PARALLEL_SHAFT						1	
52		SM8050612TP		SCREW M5X6						2	
53		40114421		Y SENSOR ASM						1	
54		SM4030801SC		SCREW M3X0.5 L=8						1	
55		40115216		Y_SENSOR_BASE						1	
56		SM5041055SN		SCREW M4X10						2	
57		HX001500000		CLIP						1	
58		SL4040891SC		SCREW M4 L=8						1	
59		EA9500B0000		CABLE BAND						2	
60		40145295		CLOTH_FEED_BASE						1	
61		40115219		TUBE_BRACKET						1	
62		SM6040602TP		SCREW M4 L=6						2	
63		EA9500B0100		CABLE BAND						2	

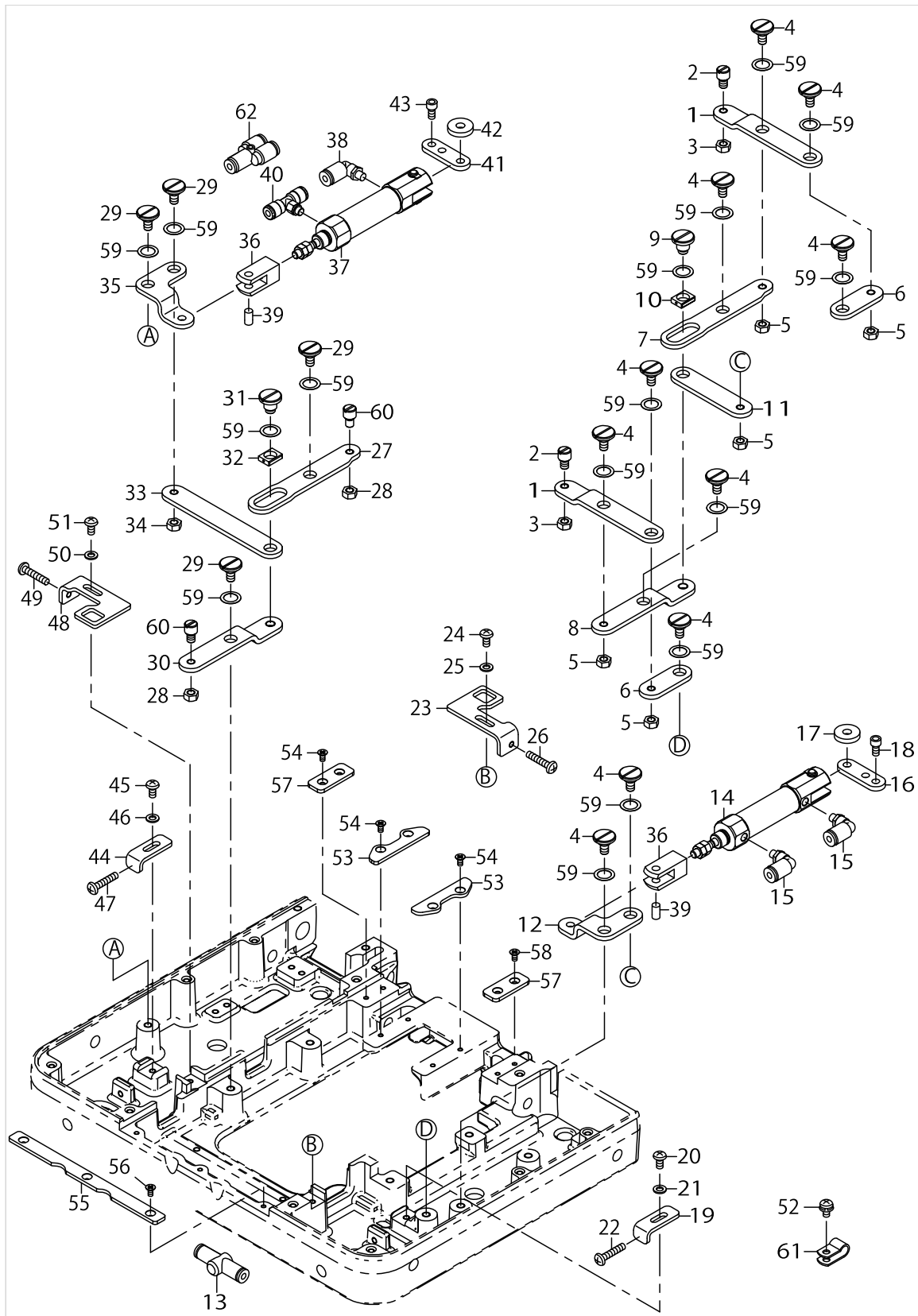
CLOTH OPEN COMPONENTS



CLOTH OPEN COMPONENTS

No.	Supply Code	Parts No.	Replacement	Parts name	Remarks	Choice	Step	Level	Cons	Qty	Rep. QTY
1		40115227		CLOTH OPEN LINK G						2	
2		40115228		HOLDING PIN						2	
3		NM6050001SC		NUT M5X0.8 TYPE1						2	
4		SD0800327TP		SHOULDER SCREW						10	
5		NM6050001SC		NUT M5X0.8 TYPE1						5	
6		40115229		CLOTH OPEN LINK F						2	
7		40115230		CLOTH OPEN LINK A						1	
8		40115231		CLOTH OPEN LINK B						1	
9		SD0800656TP		SHOULDER SCREW						1	
10		40030628		SLIDE BLOCK A						1	
11		40115232		CLOTH OPEN LINK C						1	
12		40115233		CLOTH OPEN LINK D						1	
13		PV010015000		QUICK EXHAUST VALVE						1	
14		PA1602013A0		AIR CYLINDER						1	
15		PJ3C4040504		UNION						2	
16		32012205		CYLINDER BRACKET						1	
17		WP0553216SD		WASHER						1	
18		SM6040802TP		SCREW M4X0.7 L=8						2	
19		40115234		OPEN SIDE STPPER						1	
20		SM4040855SP		SCREW						1	
21		WP0430800SC		WASHER M4						1	
22		SM4042055SP		SCREW						1	
23		40115235		CLOSE SIDE STPPER						1	
24		SM4040855SP		SCREW						1	
25		WP0430800SC		WASHER M4						1	
26		SM4042055SP		SCREW						1	
27		40115230		CLOTH OPEN LINK A						1	
28		NM6050001SC		NUT M5X0.8 TYPE1						2	
29		SD0800327TP		SHOULDER SCREW						4	
30		40115231		CLOTH OPEN LINK B						1	
31		SD0800656TP		SHOULDER SCREW						1	
32		40030628		SLIDE BLOCK A						1	
33		40115236		CLOTH OPEN LINK H						1	
34		NM6050001SC		NUT M5X0.8 TYPE1						1	
35		40115237		CLOTH OPEN LINK E						1	
36		PX500020000		KNUCKLE JOINT						2	
37		PA1602013A0		AIR CYLINDER						1	
38		PJ3C4040504		UNION						1	
39		40120491		KNUCKLE PIN						1	
40		PJ305040502		T-UNION						2	
41		32012205		CYLINDER BRACKET						1	
42		WP0553216SD		WASHER						1	
43		SM6040802TP		SCREW M4X0.7 L=8						2	
44		40115234		OPEN SIDE STPPER						1	
45		SM4040855SP		SCREW						1	
46		WP0430800SC		WASHER M4						1	

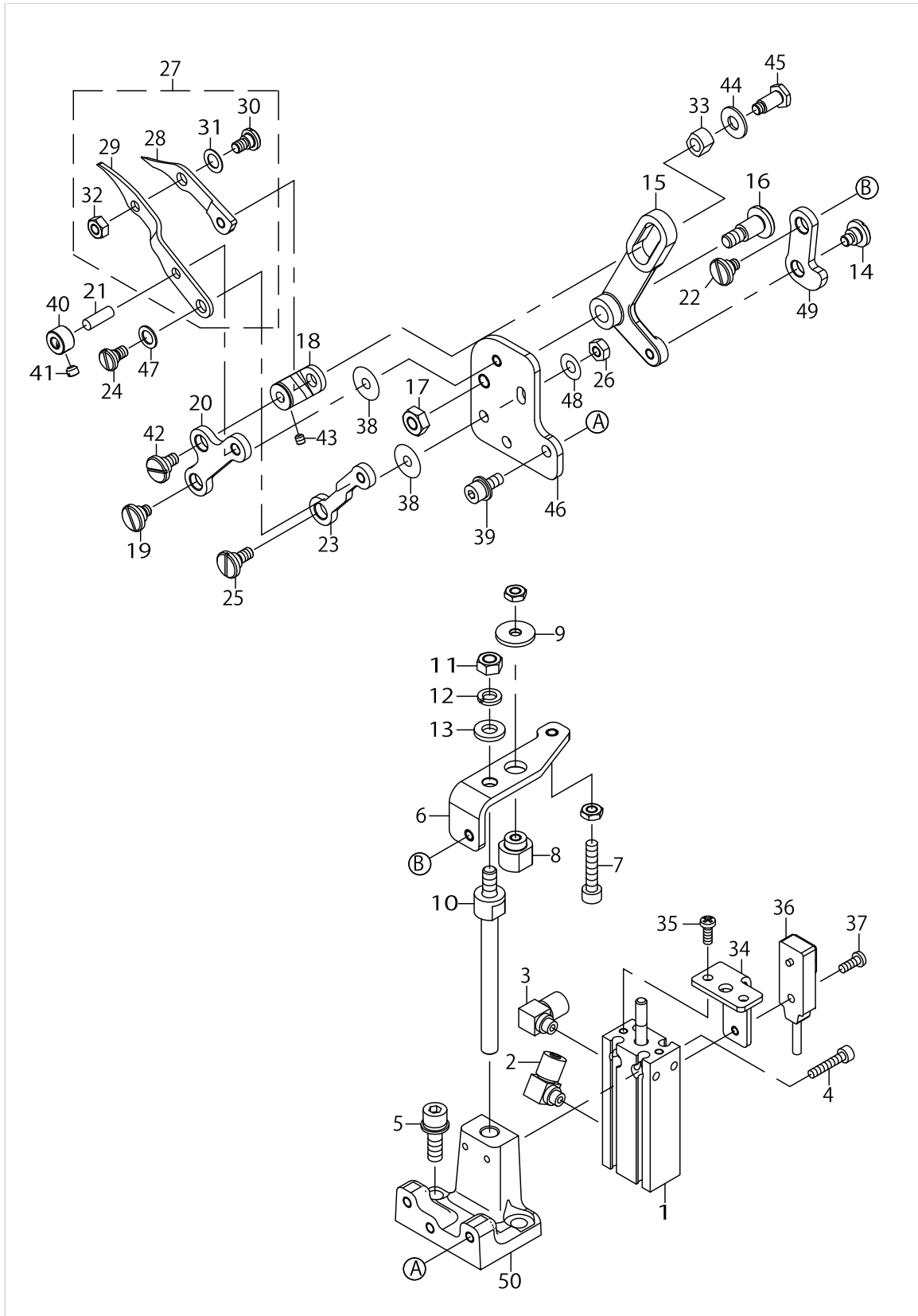
CLOTH OPEN COMPONENTS



CLOTH OPEN COMPONENTS

No.	Supply Code	Parts No.	Replacement	Parts name	Remarks	Choice	Step	Level	Cons	Qty	Rep. QTY
47		SM4042055SP		SCREW						1	
48		40115235		CLOSE SIDE STPPER						1	
49		SM4042055SP		SCREW						1	
50		WP0430800SC		WASHER M4						1	
51		SM4040855SP		SCREW						1	
52		SL4040891SC		SCREW M4 L=8						2	
53		32012809		CLOTH OPEN HOLD- ING PLATE REAR						2	
54		SM1030601SC		SCREW M3 L=6						4	
55		32012601		HOLDING PLATE FRONT						1	
56		SM1030601SC		SCREW M3 L=6						3	
57		32012700		HOLDING PLATE MID						2	
58		SM1030601SC		SCREW M3 L=6						4	
59		WZ0880200KP		WAVED WASHER						16	
60		40115228		HOLDING PIN						2	
61		HX00150000B		CABLE CLIP						2	
62		PJ3C8040002		QUICK JOINT						1	

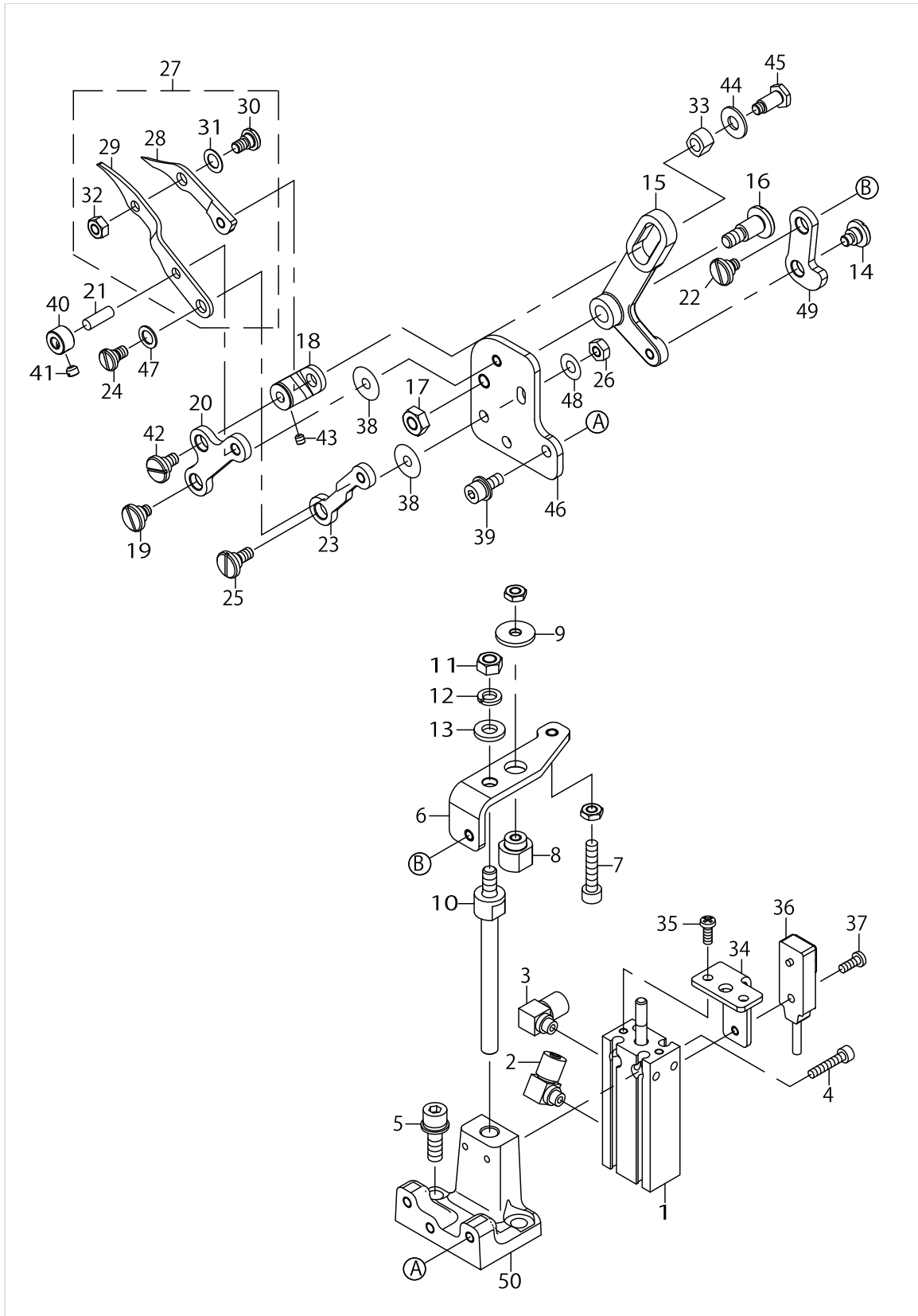
LOWER THREAD CUTTING COMPONENTS (TYPE 01)



LOWER THREAD CUTTING COMPONENTS (TYPE 01)

No.	Supply Code	Parts No.	Replacement	Parts name	Remarks	Choice	Step	Level	Cons	Qty	Rep. QTY
1		PA1002007B0		FREE MOUNT CYLINDER						1	
2		PJ046054002		HOSE ELBOW						1	
3		PJ046052503		HOSE ELBOW						1	
4		SM6031602TP		SCREW						2	
5		SL6051692TN		BOLT						2	
6		40145260		CONNECTING_PLATE_A						1	
7		SM6042002TP		SCREW M4X0.7 L=20						1	
8		40145258		STOPPER_NUT						1	
9		22913503		WASHER						1	
10		40145259		KNIFE_DRIVE_SHAFT						1	
11		NM6050001SC		NUT M5X0.8 TYPE1						1	
12		WS0510002KN		SPRING WASHER M5						1	
13		11529914		WASHER						1	
14		40115251		SHOULDER_SCREW						1	
15		40115252		CUTTING_LEVER						1	
16		40115254		SHOULDER_SCREW						1	
17		NM6050001SP		NUT M5						1	
18		40115255		FIXING_KNIFE_GUIDE						1	
19		40115251		SHOULDER_SCREW						1	
20		40115256		MOVING_KNIFE_LINK_1						1	
21		13149901		PIN						1	
22		40115251		SHOULDER_SCREW						1	
23		40115257		MOVING_KNIFE_LINK_2						1	
24		40115258		SHOULDER_SCREW						1	
25		40115259		SHOULDER_SCREW						1	
26		NM6040001SP		NUT M4X0.7						1	
27		40115260		KNIFE_ASSY					☆	1	
28	R	40115261	40115260	MOVING_KNIFE				*		1	1.00
29	R	40115262	40115260	FIXING_KNIFE				*		1	1.00
30		40115258		SHOULDER_SCREW				*		1	
31		WZ0541510KP		WAVED WASHER 5.4X9.0X0.3				*		1	
32		NM6040001SP		NUT M4X0.7				*		1	
33		40115263		SQURE_BLOCK						1	
34		40145257		KNIFE_SENSOR_BASE						1	
35		SM4030601SC		SCREW M3 L=6						2	
36		40149100		LT_SENSOR_ASM						1	
37		SM4030801SC		SCREW M3X0.5 L=8						1	
38		40126835		WASHER						2	
39		SL6041092TN		SCREW						3	
40		13172903		COLLAR						1	
41		SM8040360TP		SCREW						1	
42		40115265		ECCENTRIC PIN						1	
43		SM8030312TP		SCREW M3 L=3						1	
44		B2107816000		WASHER						1	
45		40115266		SHOULDER_SCREW						1	
46		40145255		KNIFE_BASE_PLATE						1	

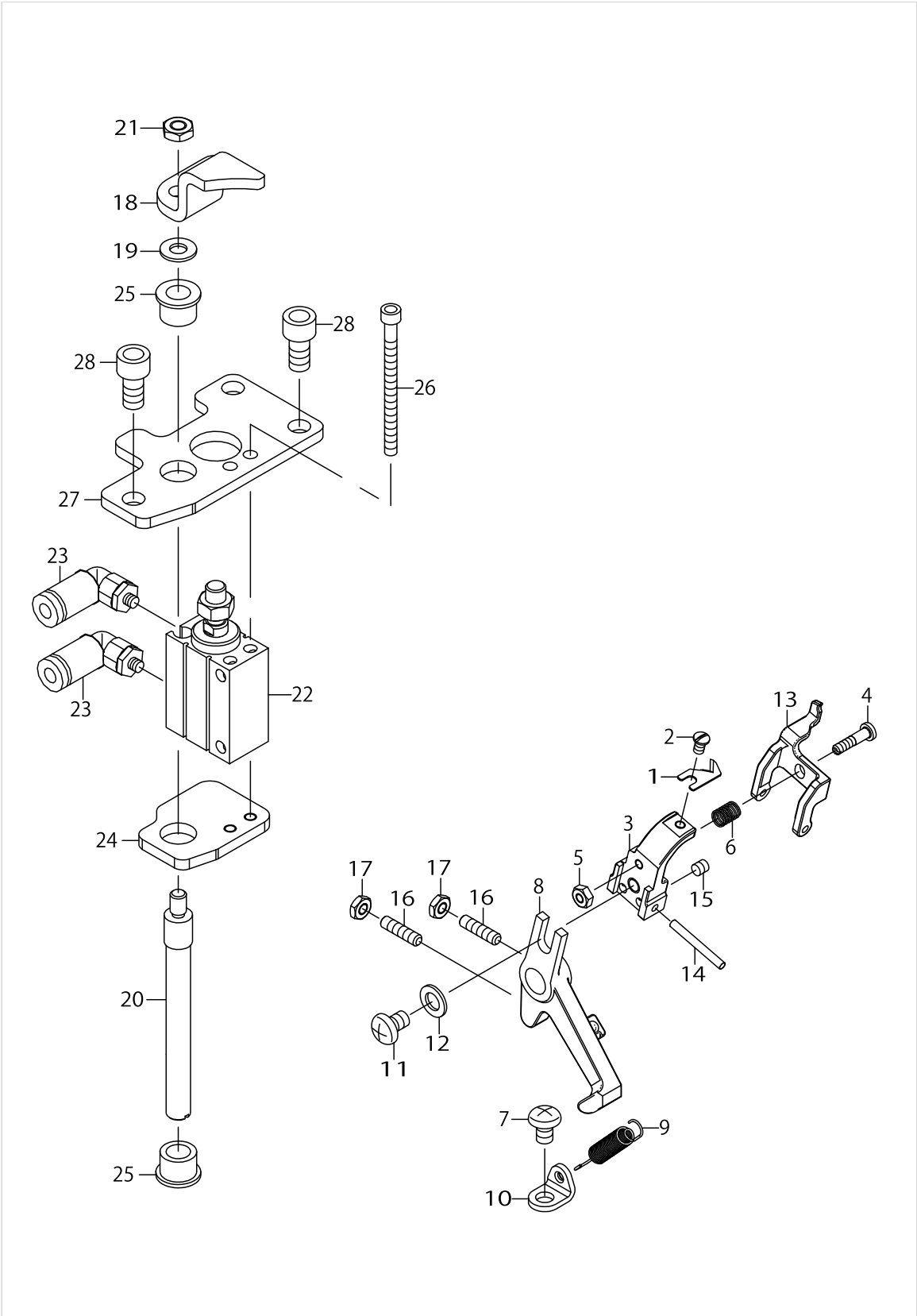
LOWER THREAD CUTTING COMPONENTS (TYPE 01)



LOWER THREAD CUTTING COMPONENTS (TYPE 01)

No.	Supply Code	Parts No.	Replacement	Parts name	Remarks	Choice	Step	Level	Cons	Qty	Rep. QTY
47		40115272		THRUST_WASHER						1	
48		WP0450801SD		WASHER 4.5X10X0.8						1	
49		40115267		CONNECT_LINK						1	
50		40145254		LOWER_THREAD_CUTTING_BASE						1	

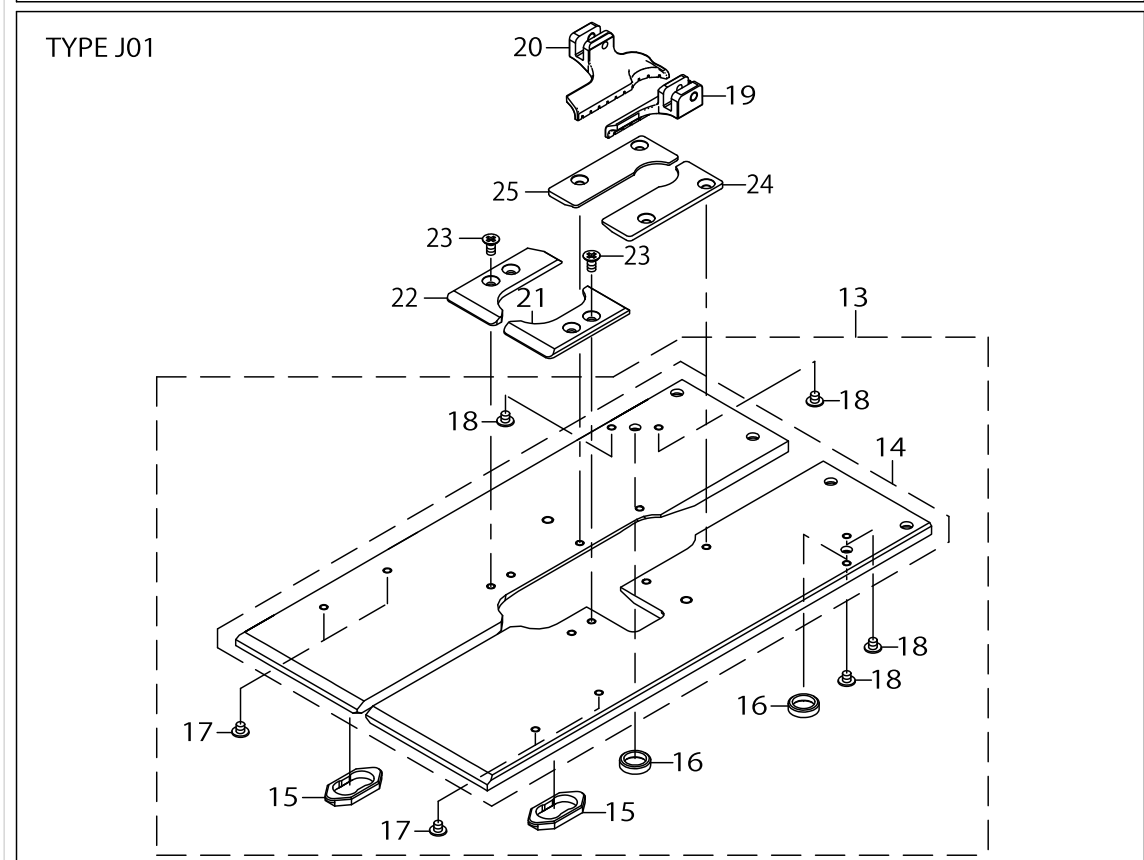
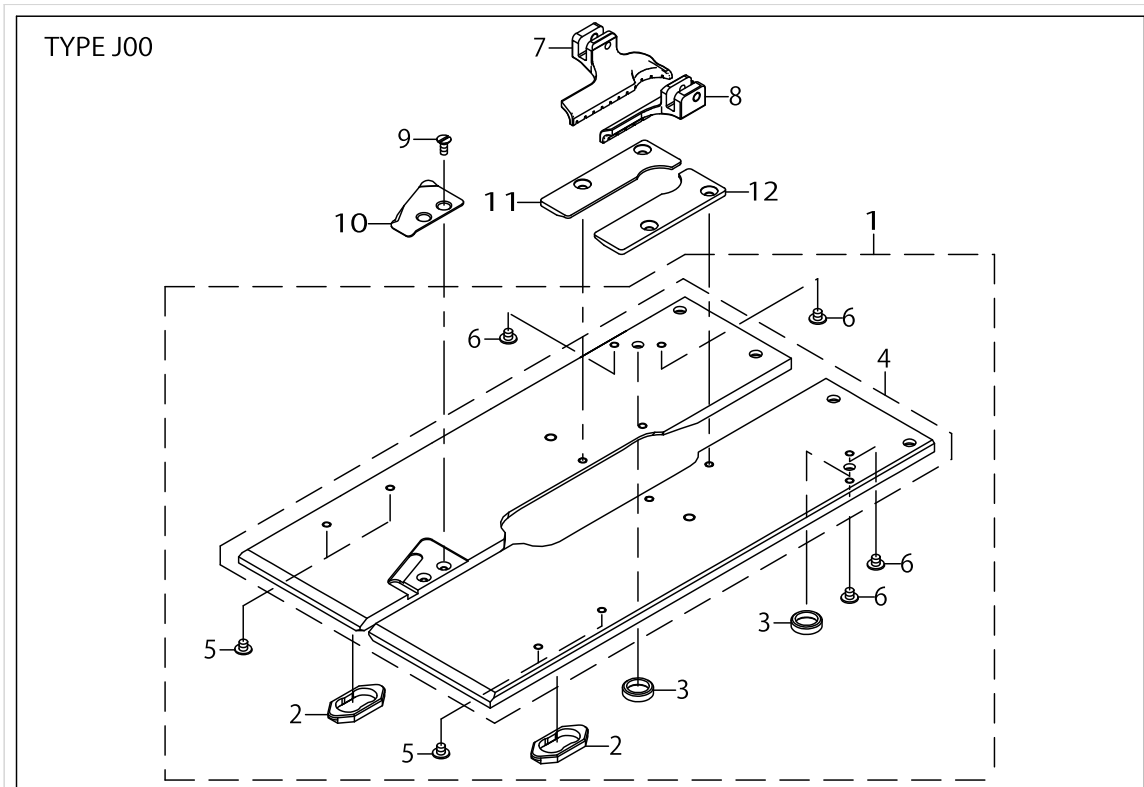
UPPER THREAD CUTTING COMPONENTS



UPPER THREAD CUTTING COMPONENTS

No.	Supply Code	Parts No.	Replacement	Parts name	Remarks	Choice	Step	Level	Cons	Qty	Rep. QTY
1		40115277		TRIMMER KNIFE					☆	1	
2		SM5850460SP		SCREW						1	
3		40115278		KNIFE BASE						1	
4		40115280		STOPPER PIN	TYPE 01					1	
5		NM6850001SC		NUT M2.5X0.45 TYPE1	TYPE 01					1	
6		40115282		THREAD HOLDER SPRING	TYPE 01					1	
7		SM4040655SP		SCREW M4 L=6						1	
8		40115283		KNIFE ARM						1	
9		40115284		KNIFE SPRING						1	
10		40115285		SPRING BRACKET						1	
11		SM4040655SP		SCREW M4 L=6						1	
12		WP0480856SP		WASHER 4.8X8.4X0.8						1	
13		40115286		LOWER THREAD HOLDER	TYPE 01					1	
14		40115288		PIN	TYPE 01					1	
15		SM8030312TP		SCREW M3 L=3	TYPE 01					2	
16		SM8031212TP		SCREW						2	
17		NM6030003SC		NUT M3						2	
18		40115289		KNIFE DRIVER ARM						1	
19		WP0430801SC		WASHER M4						1	
20		40115290		KNIFE DRIVE SHAFT						1	
21		NM6040003SC		NUT M4						1	
22		PA100153400		AIR CYLINDER						1	
23		PJ304040301		UNION ELBOW M3						2	
24		40115291		METAL BASE						1	
25		G6013880000		LINK SHAFT HOLDER						2	
26		SM6034002TN		SCREW						2	
27		40115292		CYLINDER BASE						1	
28		SM6051002TP		SCREW M5X0.8 L=10						3	

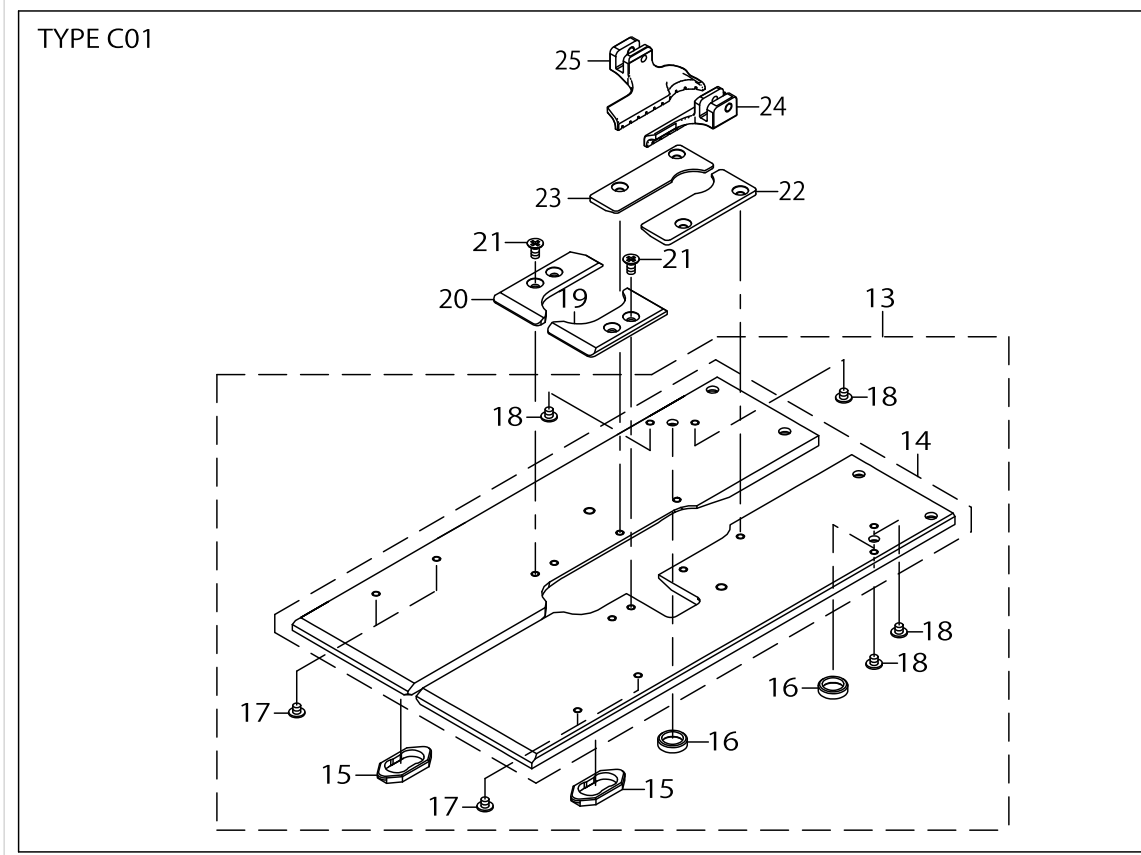
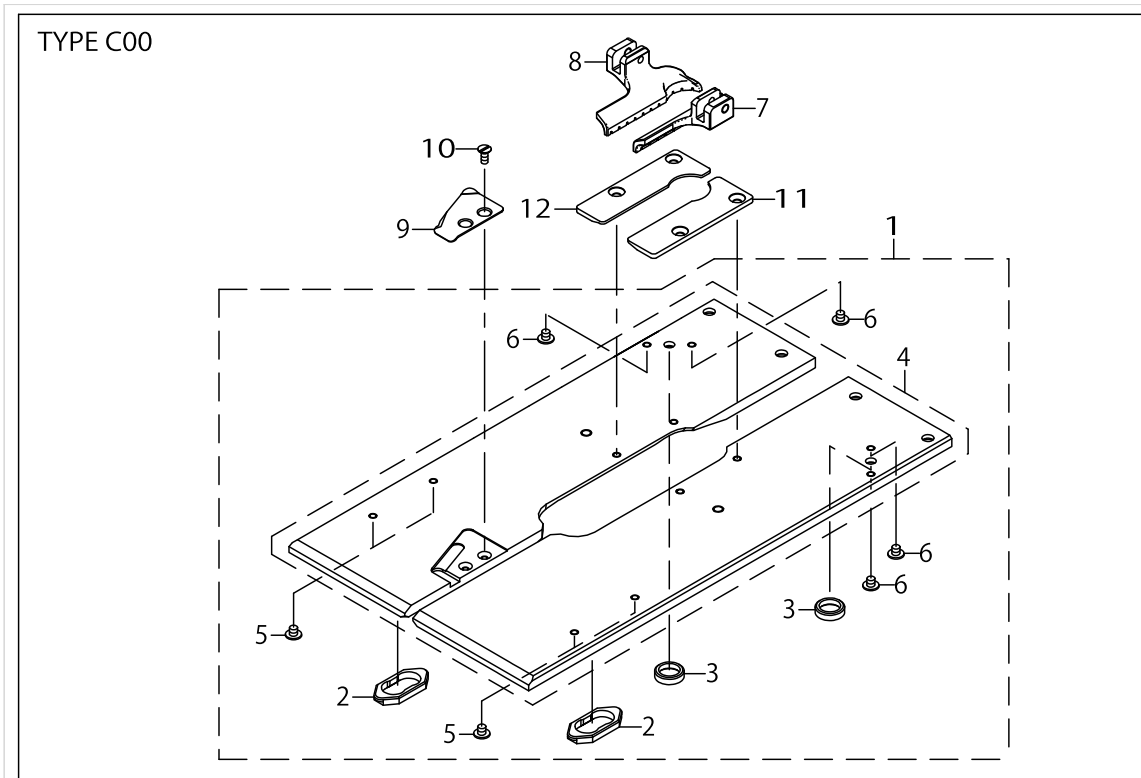
PRESSER COMPONENTS (1)



PRESSER COMPONENTS (1)

No.	Supply Code	Parts No.	Replacement	Parts name	Remarks	Choice	Step	Level	Cons	Qty	Rep. QTY
1		40153639		PRESSER_PLATE_00_ASM						1	
2		40153647		PRESSER PLATE BUSHING B				*		2	
3		40115307		PRESSER PLATE BUSHING A				*		2	
4		40153640		PRESSER PLATE 00				*		1	
5		SM0030301SN		SCREW				*		4	
6		SM0030301SN		SCREW				*		4	
7		40115239		PRESSER FOOT L						1	
8		40115238		PRESSER FOOT R						1	
9		SM1850600SP		SCREW						2	
10		40115321		THREAD CUTTER						1	
11		32027104		HOLDINGPLATELEFT						1	
12		32027005		HOLDING PLATE RIGHT						1	
13		40153643		PRESSER PLATE 01 ASM						1	
14		40153644		PRESSER PLATE 01				*		1	
15		40153647		PRESSER PLATE BUSHING B				*		2	
16		40115307		PRESSER PLATE BUSHING A				*		2	
17		SM0030301SN		SCREW				*		4	
18		SM0030301SN		SCREW				*		4	
19		40115240		PRESSER FOOT R 34						1	
20		40115241		PRESSER FOOT L 34						1	
21		40115326		KNIFEPLATERIGHTM						1	
22		40115327		KNIFE PLATE LEFT M						1	
23		SM1030601SP		SCREW M3 L=6						4	
24		40115322		HOLDING PLATE PIGHT						1	
25		40115323		HOLDINGPLATELEFT						1	

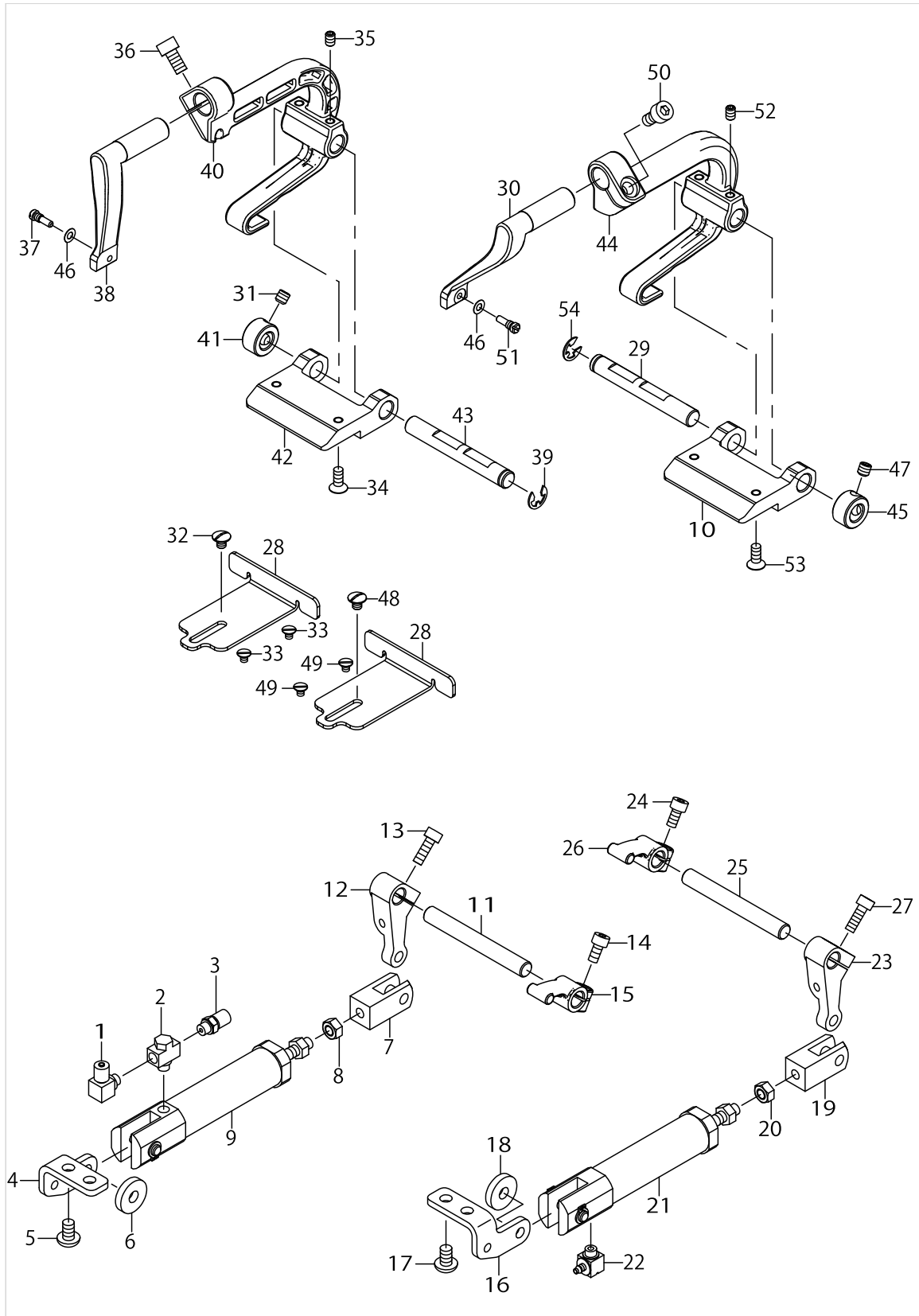
PRESSER COMPONENTS (2)



PRESSER COMPONENTS (2)

No.	Supply Code	Parts No.	Replacement	Parts name	Remarks	Choice	Step	Level	Cons	Qty	Rep. QTY
1		40153639		PRESSER PLATE 00 ASM						1	
2		40153647		PRESSER PLATE BUSHING B				*		2	
3		40115307		PRESSER PLATE BUSHING A				*		2	
4		40153640		PRESSER PLATE 00				*		1	
5		SM0030301SN		SCREW				*		4	
6		SM0030301SN		SCREW				*		4	
7		40115316		PRESSER FOOT R						1	
8		40115309		PRESSER FOOT L						1	
9		40115321		THREAD CUTTER						1	
10		SM1850600SP		SCREW						2	
11		32027005		HOLDING PLATE RIGHT						1	
12		32027104		HOLDING PLATE LEFTT						1	
13		40153643		PRESSER PLATE 01 ASM						1	
14		40153644		PRESSER PLATE 01				*		1	
15		40153647		PRESSER PLATE BUSHING B				*		2	
16		40115307		PRESSER PLATE BUSHING A				*		2	
17		SM0030301SN		SCREW				*		4	
18		SM0030301SN		SCREW				*		4	
19		40115326		KNIFE PLATERIGHT M						1	
20		40115327		KNIFE PLATE LEFT M						1	
21		SM1030601SP		SCREW M3 L=6						4	
22		40115322		HOLDING PLATE RIGHT						1	
23		40115323		HOLDINGPLATELEFT						1	
24		40115324		PRESSER FOOT R 34						1	
25		40115325		PRESSER FOOT L 34						1	

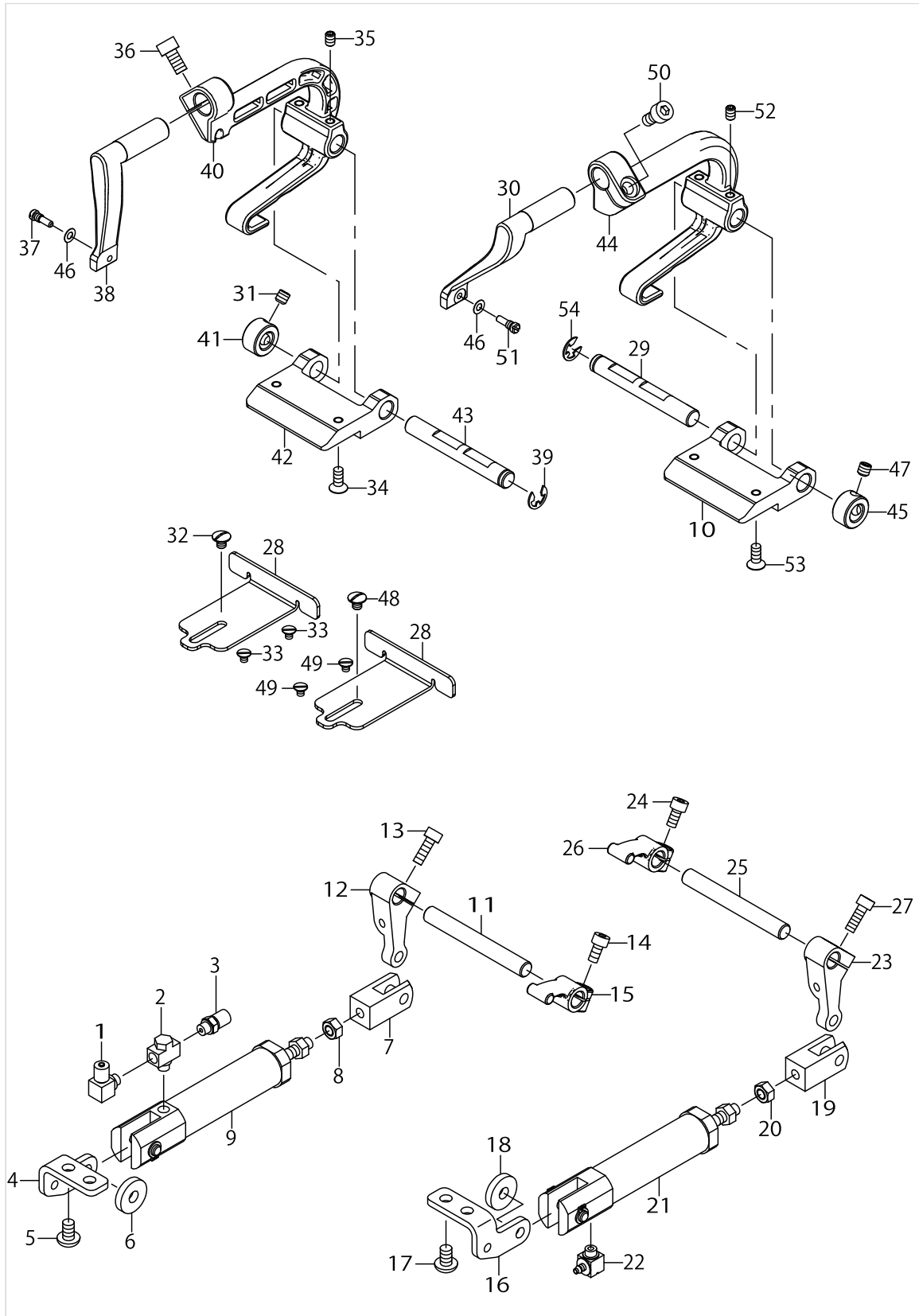
PRESSER COMPONENTS (COMMON)



PRESSER COMPONENTS (COMMON)

No.	Supply Code	Parts No.	Replacement	Parts name	Remarks	Choice	Step	Level	Cons	Qty	Rep. QTY
1		PJ046052503		HOSE ELBOW						1	
2	D	G5681116000		UNIVERSAL TEE						1	
3		PJ032052503		HOSE NIPPLE						1	
4		40115302		CYLINDER BRACKET L						1	
5		SM4050855SP		SCREW						2	
6		WP0553216SD		WASHER						1	
7		PX500020000		KNUCKLE JOINT						1	
8		NM6050001SC		NUT M5X0.8 TYPE1						1	
9		PA1602011A0		AIR CYLINDER						1	
10		40115330		ARM INSTALLING BASE						1	
11		32027401		PRESSER LEVER SHAFT						1	
12		32027203		PRESSER LEVER MOVING ARM						1	
13		SM6041202TP		SCREW M4X0.7 L=12						1	
14		SM6040802TP		SCREW M4X0.7 L=8						1	
15		40115303		PRESSER LEVER B						1	
16		40115304		CYLINDER BRACKET R						1	
17		SM4050855SP		SCREW						2	
18		WP0553216SD		WASHER						1	
19		PX500020000		KNUCKLE JOINT						1	
20		NM6050001SC		NUT M5X0.8 TYPE1						1	
21		PA1602011A0		AIR CYLINDER						1	
22		PJ046052501		ELBOW						1	
23		32027203		PRESSER LEVER MOVING ARM						1	
24		SM6040802TP		SCREW M4X0.7 L=8						1	
25		32027401		PRESSER LEVER SHAFT						1	
26		40115303		PRESSER LEVER B						1	
27		SM6041202TP		SCREW M4X0.7 L=12						1	
28		40145233		VERTICAL GUIDE						2	
29		40115313		FULCRUM SHAFT						1	
30		40115318		PRESSER ARM RIGHT						1	
31		SM8050512TP		SCREW						2	
32		SM5040550TP		SCREW M4 L=5						1	
33		SM1030400SP		SCREW M3 L=4						2	
34		SM1041001SP		SCREW M4X0.7 L=10						2	
35		SM8040612TP		SCREW M4 L=6						2	
36		SM6051002TN		BOLT						1	
37		14010508		PRESSER FOOT AT-TACHING SCREW						1	
38		40115310		PRESSER ARM LEFT						1	
39		RE0500000KP		E-RING 5						1	
40		40115311		PRESSER ARM BASE LEFT						1	
41		CS0800881TP		THRUST COLLAR						1	
42		40115330		ARM INSTALLING BASE						1	
43		40115313		FULCRUM SHAFT						1	
44		40115317		PRESSER ARM BASE RIGHT						1	
45		CS0800881TP		THRUST COLLAR						1	
46		WZ0320290UZ		WASHER 3.2X6.5X0.15						2	

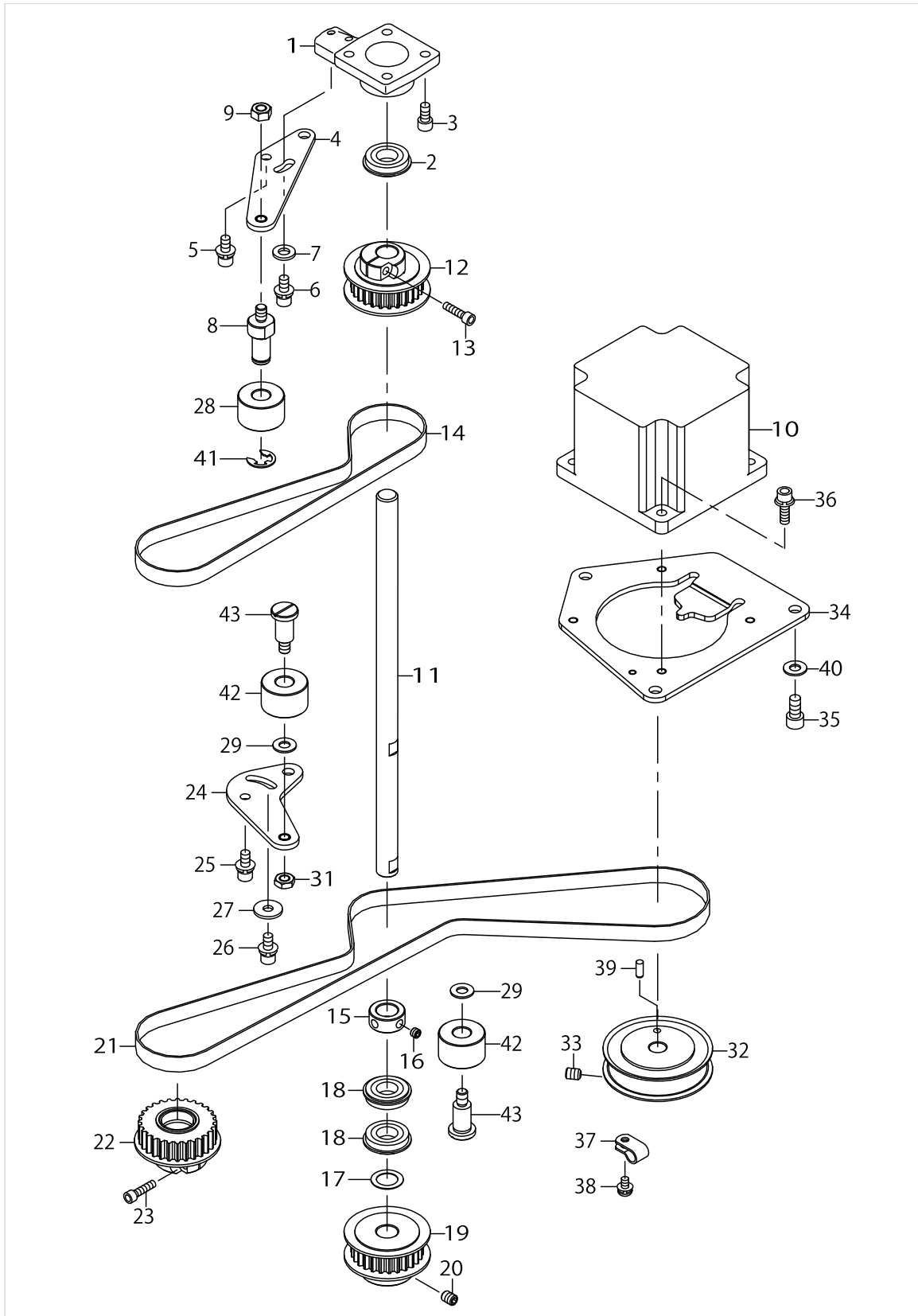
PRESSER COMPONENTS (COMMON)



PRESSER COMPONENTS (COMMON)

No.	Supply Code	Parts No.	Replacement	Parts name	Remarks	Choice	Step	Level	Cons	Qty	Rep. QTY
47		SM8050512TP		SCREW						2	
48		SM5040550TP		SCREW M4 L=5						1	
49		SM1030400SP		SCREW M3 L=4						2	
50		SM6051002TN		BOLT						1	
51		14010508		PRESSER FOOT AT- TACHING SCREW						1	
52		SM8040612TP		SCREW M4 L=6						2	
53		SM1041001SP		SCREW M4X0.7 L=10						2	
54		RE0500000KP		E-RING 5						1	

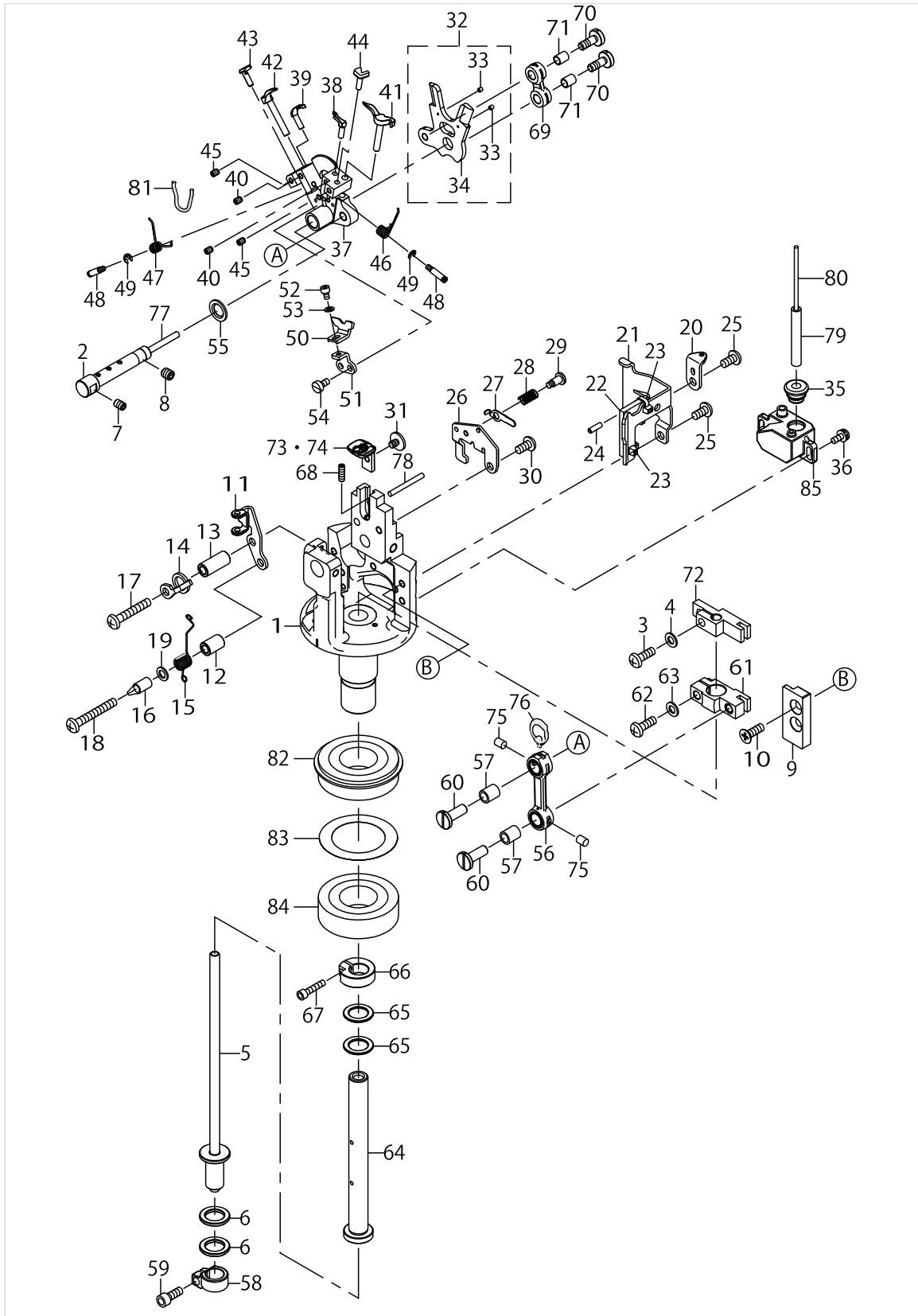
REVOLUTION COMPONENTS



REVOLUTION COMPONENTS

No.	Supply Code	Parts No.	Replacement	Parts name	Remarks	Choice	Step	Level	Cons	Qty	Rep. QTY
1		40115337		CONNECTING SHAFT BLACKET						1	
2		SB1120018C0		BEARING						1	
3		SM6051002TN		BOLT						4	
4		40115338		TENTION PULLEY B-RACKET (UPPER)						1	
5		SL6051292TN		BOLT						1	
6		SL6051242TN		SCREW						1	
7		WP0561616SC		WASHER 5.6X16X1.6						1	
8		40145231		TENSION PULLEY PIN						1	
9		NM6060001SE		NUT M6						1	
10		40149098		REVOLUTIONMOTOR						1	
11		40115340		CONNECTING SHAFT						1	
12		40115341		REVOLUTION PULLEY (UPPER)						1	
13		SM6041602TP		SCREW M4X0.7 L=16						1	
14		40115342		TIMINGBELT(UPPER)					☆	1	
15		CS1200981TP		THRUST COLLAR D=12 W=9						1	
16		SM8050412TP		SCREW M5 L=4						2	
17	D	E2066715000		BU SPACER						1	
18		SB1120018C0		BEARING						2	
19		40115343		REVOLUTION PULLEY (LOWER)						1	
20		SM8060812TP		SCREW M6 L=8						2	
21		40115344		TIMING BELT (LOWER)					☆	1	
22		40115345		LOOPER REVOLUTION PULLEY						1	
23		SM6041602TP		SCREW M4X0.7 L=16						1	
24		40115346		TENSION PULLEY B-RACKET (LOWER)						1	
25		SL6051292TN		BOLT						1	
26		SL6051242TN		SCREW						1	
27		WP0561616SC		WASHER 5.6X16X1.6						1	
28		40145229		REVOLUTION SHAFT TENSION PULLEY						1	
29		WP0621016SD		WASHER 6.2X13X1						2	
30		40145230		TENSION PULLEY SCREW						2	
31	R	NM6060003SE	NM6060003SC	NUT FOR BRACKET						1	1.00
32		32034308		REVOLUTION MOTOR PULLEY						1	
33		SM8060812TP		SCREW M6 L=8						2	
34		40145285		MOTOR BRACKET						1	
35		SM6061202TP		SCREW M6 L=12						3	
36		SL6051692TN		BOLT						4	
37		HX001500000		CLIP						1	
38		SL4040891SC		SCREW M4 L=8						1	
39		PH0400105S0		PIN 4.0X10						1	
40		WP0621016SD		WASHER 6.2X13X1						3	
41		RE0800000K0		E-SHAPED SNAP RING (8MM)						1	
42		40145229		REVOLUTION SHAFT TENSION PULLEY						2	

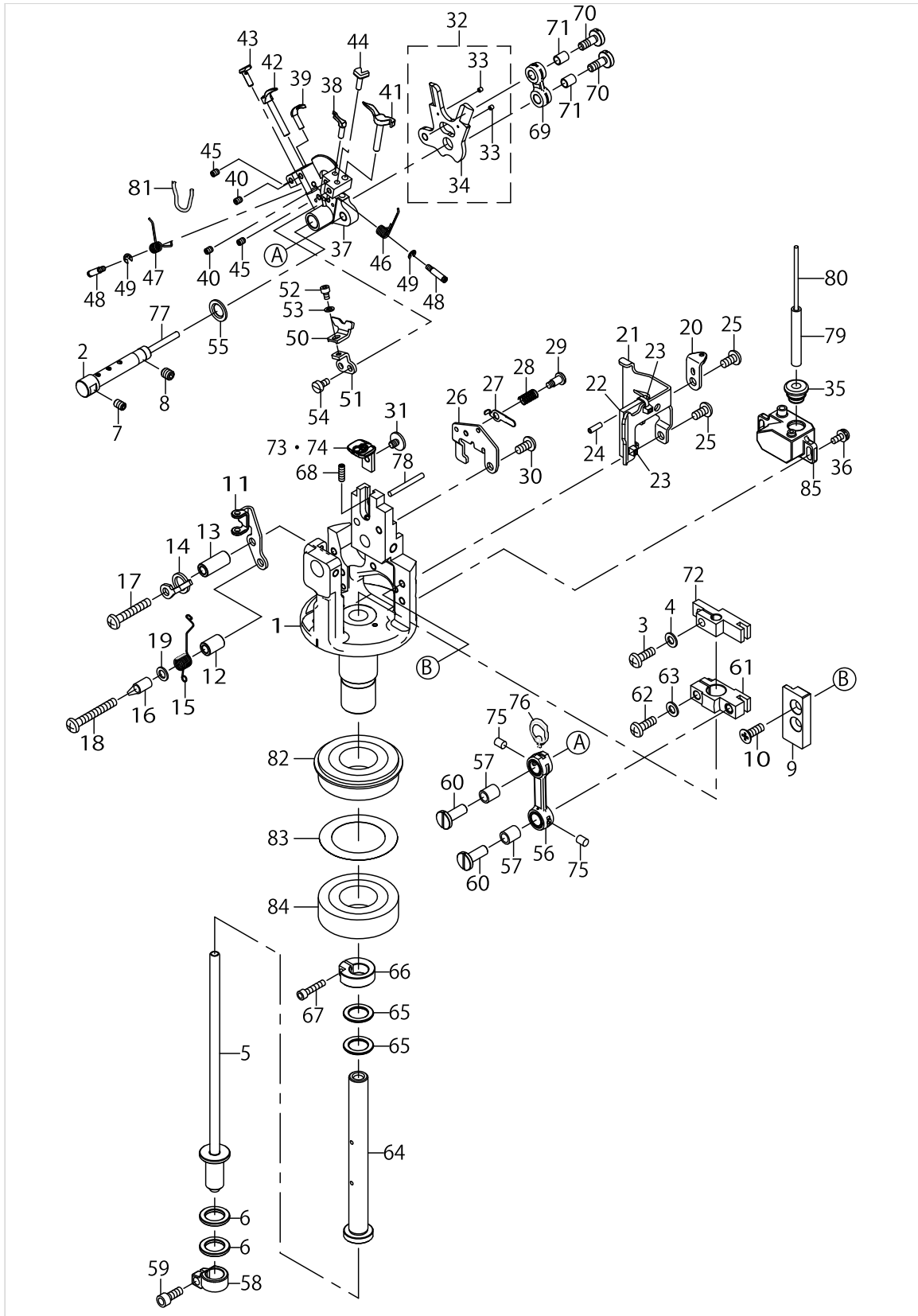
LOOPER DRIVING COMPONENTS



LOOPER DRIVING COMPONENTS

No.	Supply Code	Parts No.	Replacement	Parts name	Remarks	Choice	Step	Level	Cons	Qty	Rep. QTY
1		40144291		LOOPER_BRACKET						1	
2		40115365		FULCRUM SHAFT						1	
3		SM4041055SP		SCREW						1	
4		WP0430800SD		WASHER M4						1	
5		40115397		SPREADER SHAFT ASM						1	
6		10112704		THRUST WASHER 1.8						2	
7		SM8040612TP		SCREW M4 L=6						1	
8		SM80506A2TP		SCREW M5 L=6						1	
9		40115366		SLIDE GUIDE						1	
10		SM1041201SC		SCREW M4 L=12						2	
11		40115367		LOWER THREAD GUIDE						1	
12		40115368		COLLAR						1	
13		40115369		COLLAR						1	
14		40115370		SPRING STOPPER						1	
15		32052409		THREAD TAKE-UP SPRING					☆	1	
16		14045306		ADJUST PIN						1	
17		SM4042555SP		SCREW M4 L=25						1	
18		SM4043055SP		SCREW M4 L=30						1	
19		WP0450846SP		WASHER						1	
20		40115371		GIMP GUIDE B						1	
21		40115400		GIMP GUARD						1	
22		40115401		LOOPER ROD FELT						1	
23		EA9500B0000		CABLE BAND						2	
24		PS0250082KP		SPRING PIN 2.5X8						1	
25		SM4040855SP		SCREW						2	
26		40115372		GIMP GUIDE A						1	
27		32040305		PRESSER PLATE						1	
28		B1135850000		TENSION SPRING (A)						1	
29		14044903		SCREW						1	
30		SM4040855SP		SCREW						1	
31		40115373		SCREW						1	
32		40149782		SPREADER_DRIVING_CAM_ASM					☆	1	
33		B1821210D00		SHUTTLE OIL FELT B				*		2	
34		40149783		SPREADER_DRIVING_CAM				*		1	
35		40006840		RUBBER BUSH						1	
36		SL4030891SC		SCREW M3X8						2	
37		40115374		LOOPER BASE					☆	1	
38		40115375		LOOPER RIGHT					☆	1	
39		40115376		LOOPER LEFT					☆	1	
40		SM8030412TP		SCREW						2	
41		40115377		SPREADER RIGHT					☆	1	
42		40115378		SPREADER LEFT					☆	1	
43		40015692		SPREADER STOPPER LEFT					☆	1	
44		40015693		SPREADER STOPPER RIGHT					☆	1	
45		SM8030412TP		SCREW						2	
46		40115380		SPREADER SPRING RIGHT					☆	1	

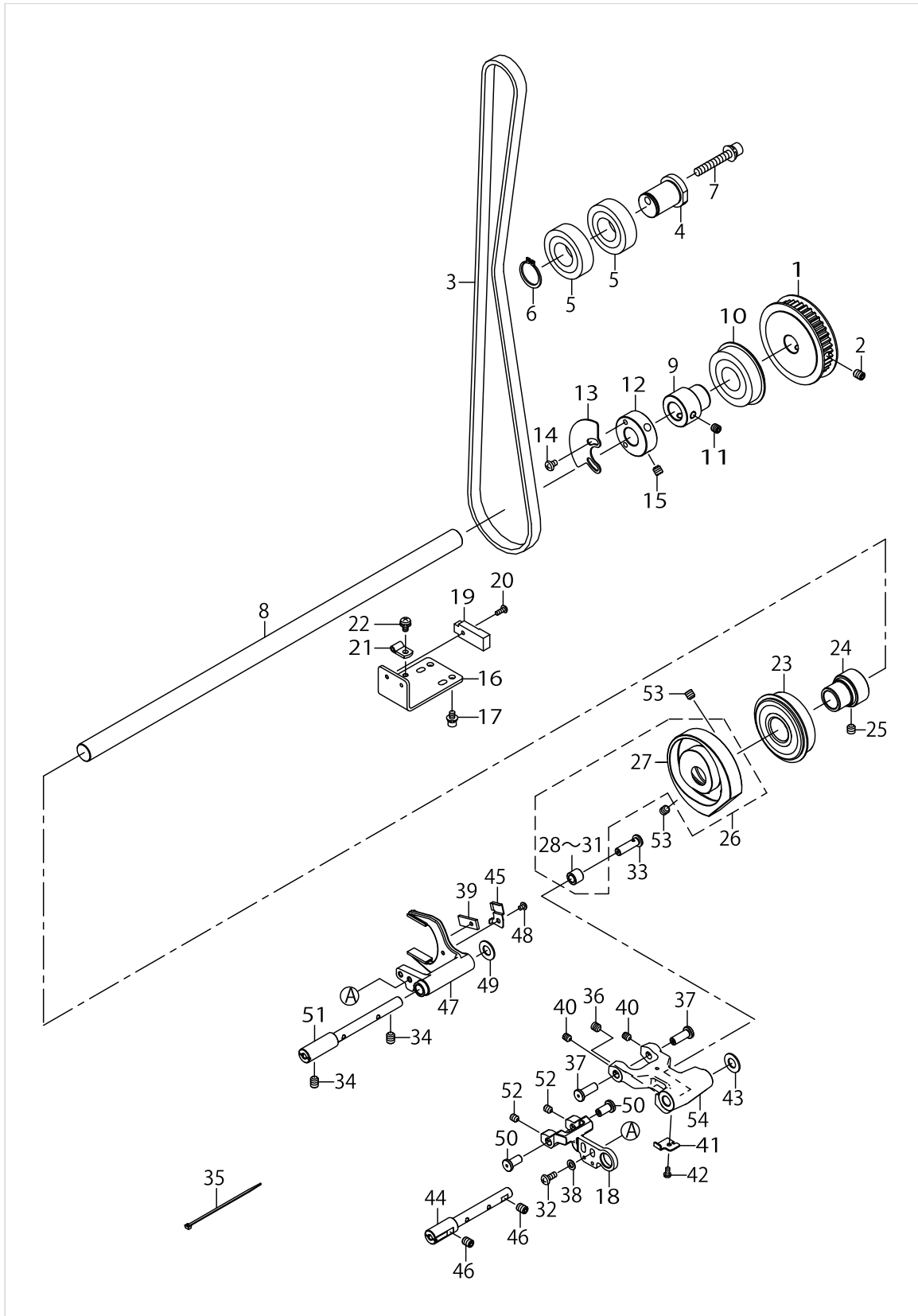
LOOPER DRIVING COMPONENTS



LOOPER DRIVING COMPONENTS

No.	Supply Code	Parts No.	Replacement	Parts name	Remarks	Choice	Step	Level	Cons	Qty	Rep. QTY
47		40115379		SPREADER SPRING LEFT					☆	1	
48		40115381		SPRING GUIDE PIN					☆	2	
49		RE0200000K0		E-RING 2						2	
50		40115382		NEEDLE GUARD					☆	1	
51		40115383		NEEDLE GUARD SUPPORT						1	
52		SM6850402TN		BOLT M2.5 L=4						1	
53		WP0280500SC		WASHER						1	
54		SM6030600SP		SCREW M3X0.5 L=6						2	
55		B4328220000		WASHER						1	
56		40115384		LOOPER ROD ASM						1	
57		40115387		LOOPER ROD BUSHING						2	
58		14028708		LOOPER DRIVING SHAFT COLLAR						1	
59		SM6041002TP		SCREW M4 L=10						1	
60		40115388		LOOPER ROD SCREW						2	
61		40115389		LOOPER SHAFT GUIDE						1	
62		SM4041255SP		SCREW M4 L=12						1	
63		WP0430800SD		WASHER M4						1	
64		40115390		LOOPER SHAFT						1	
65		10109700		THRUST WASHER A						2	
66		40145234		SET COLLAR						1	
67		SM6031402TP		SCREW						1	
68		SM8031002TP		SCREW						1	
69		40115394		SPREADER ROD						1	
70		40115395		SPREADER ROD SCREW						2	
71		14030001		LOOPER DRIVE BUSHING						2	
72		40115396		SPREADER SHAFT GUIDE						1	
73		40115405		NEEDLE PLATE B00	TYPE J00,C00					1	
74		40115406		NEEDLE PLATE B01	TYPE J01,C01					1	
75		B1820210D00		SHUTTLE OIL FELT A						2	
76		CQ202000000		OIL WICK						.08	
77		CQ3500000F0		OIL FELT						.024	
78		CQ252200000		OIL WICK						.045	
79		23630007		TUBE						.032	
80		CQ200000000		OIL WICK						.15	
81		CQ200000000		OIL WICK						.02	
82		SB120003100		BEARING						1	
83		40145299		BEARING SPACER						1	
84		SB1200003C0		BEARING						1	
85		40115402		OIL TANK						1	

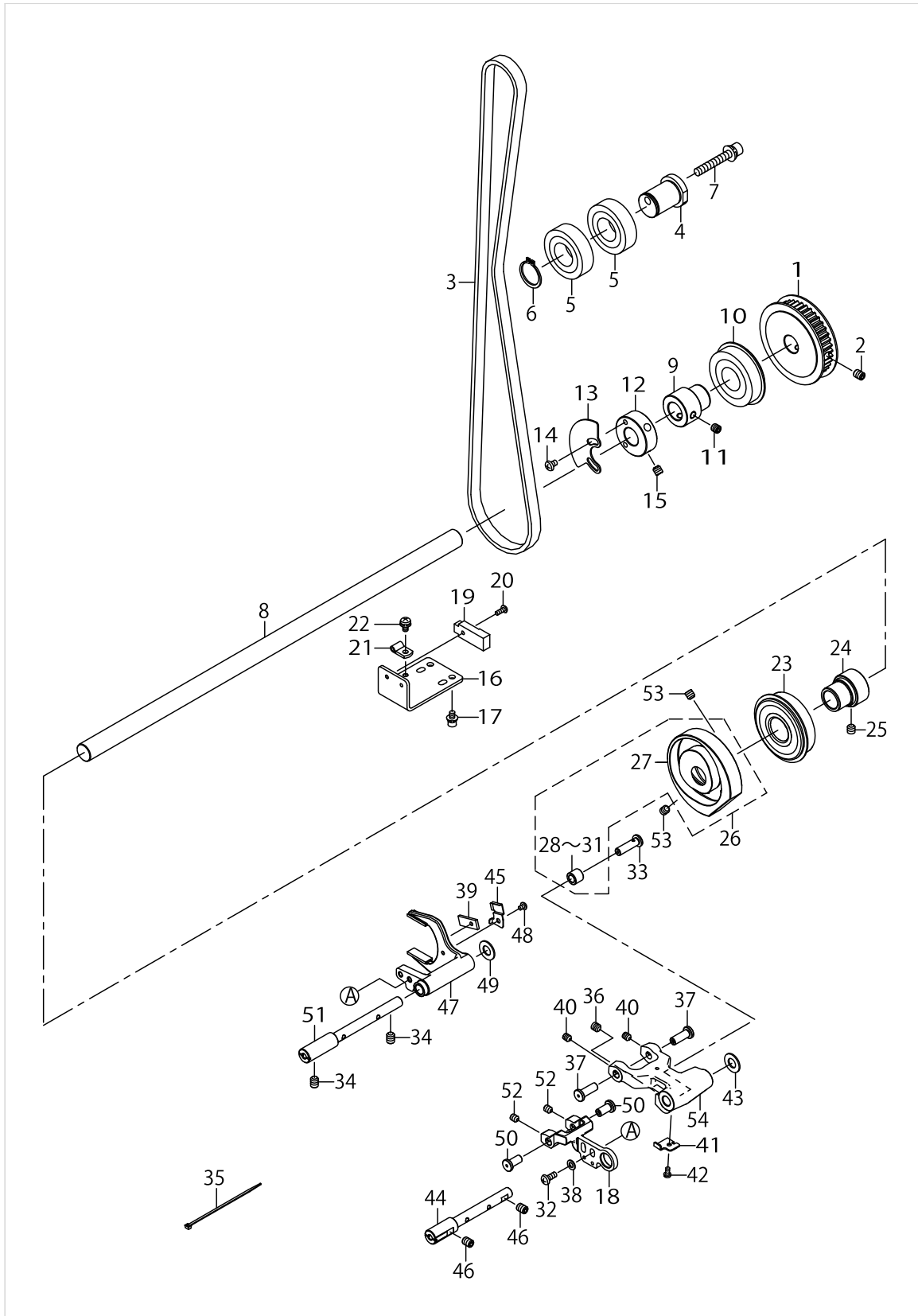
LOWER SHAFT COMPONENTS



LOWER SHAFT COMPONENTS

No.	Supply Code	Parts No.	Replacement	Parts name	Remarks	Choice	Step	Level	Cons	Qty	Rep. QTY
1		40115417		LOWER SPROCKET						1	
2		SM80608A2TP		SCREW M6 L=8						2	
3		40115418		TIMING BELT					☆	1	
4		40115419		TENSION PULLEY SHAFT						1	
5		SB1200003C0		BEARING						2	
6		RC1850001KP		SNAP RING 18.5						1	
7		SM6064002TP		SCREW M6 L=40						1	
8		40145284		LOWER SHAFT						1	
9		23604200		MAIN SHAFT BEARING SUPPORT						1	
10		SB1200020C0		BEARING						1	
11		SM80606A2TP		SCREW M6 L=6						2	
12		40115421		LOWER SHAFT SENSOR COLLAR						1	
13		40115422		LOWER SHAFT SENSOR SLIT						1	
14		SM4040655SP		SCREW M4 L=6						2	
15		SM80606A2TP		SCREW M6 L=6						2	
16		40115423		LOWER SHAFT SENSOR BRACKET						1	
17		SL6040892TN		BOLT						2	
18		40115439		SPREADER ARM B						1	
19		40114424		IN SENSOR ASM						1	
20		SM4030801SC		SCREW M3X0.5 L=8						1	
21		HX001500000		CLIP						1	
22		SL4040891SC		SCREW M4 L=8						1	
23		SB120002800		BEARING						1	
24		23605207		MAIN SHAFT BEARING SUPPORT						1	
25		SM80606A2TP		SCREW M6 L=6						2	
26		40115426		LOOPER DRIVING CAM ASM						1	
27		40115427		LOOPER DRIVING CAM					*	1	
28		40115430		CAM ROLLER A	SELECTIVE PARTS				*	1	
29		40115431		CAM ROLLER B	SELECTIVE PARTS				*	1	
30		40115432		CAM ROLLER C	SELECTIVE PARTS				*	1	
31		40115433		CAM ROLLER D	SELECTIVE PARTS				*	1	
32		SM4041055SP		SCREW						2	
33		40115425		CAM ROLLER SHAFT						1	
34		SM80608A2TP		SCREW M6 L=8						2	
35		EA9500B0100		CABLE BAND						3	
36		SM80606A2TP		SCREW M6 L=6						1	
37		40115434		LOOPER FORK PIN						2	
38		WP0430800SD		WASHER M4						2	
39		40115440		SPREADERARM FELT						1	
40		SM80506A2TP		SCREW M5 L=6						2	
41		40115435		LOOPER TUBE CLAMP						1	
42		SM4030655SP		SCREW						1	
43		13312202		THRUST WASHER						1	
44		40115436		LOOPER ARM SHAFT						1	
45		40115441		SPREADER FELT CLAMP						1	
46		SM80608A2TP		SCREW M6 L=8						2	

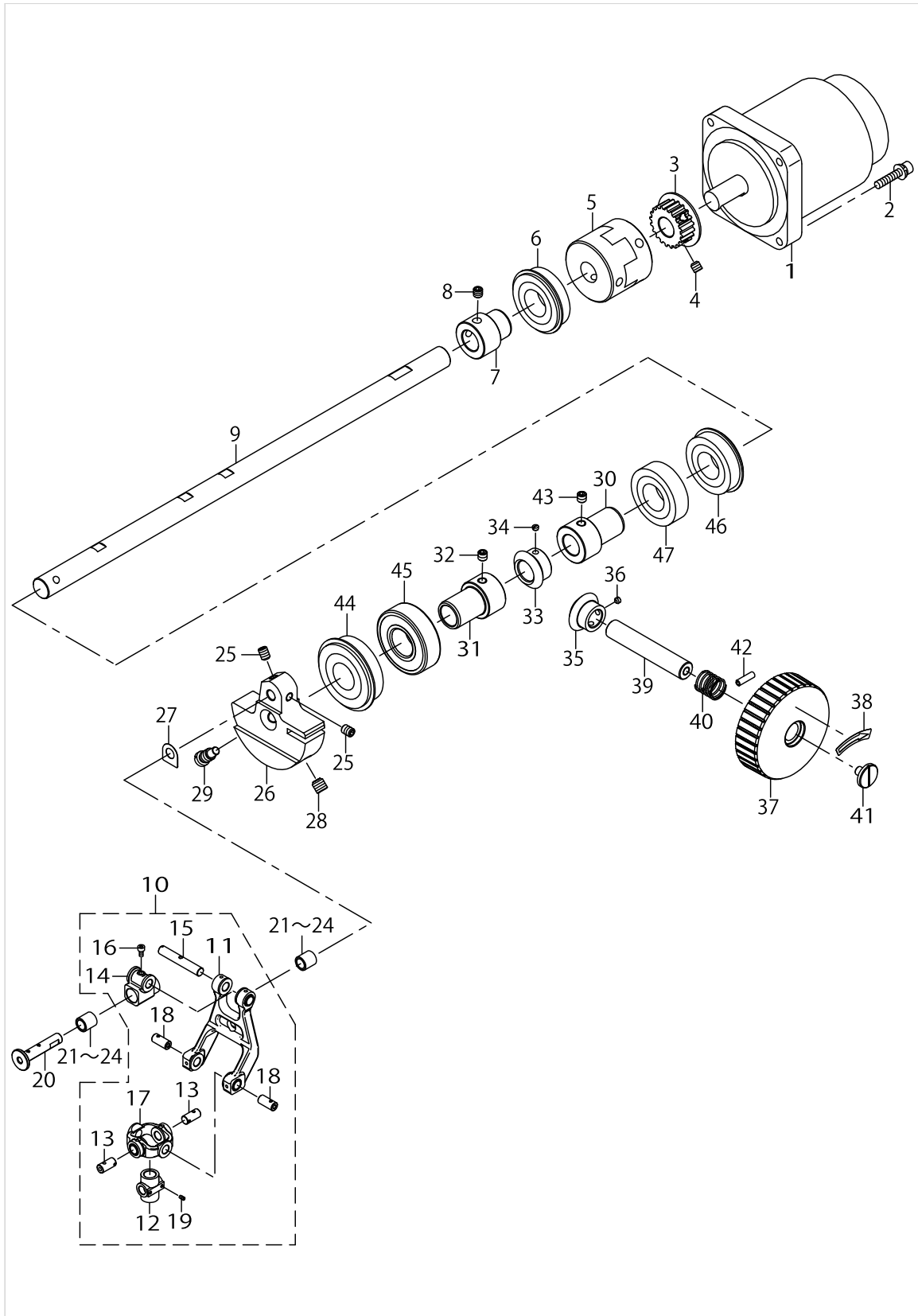
LOWER SHAFT COMPONENTS



LOWER SHAFT COMPONENTS

No.	Supply Code	Parts No.	Replacement	Parts name	Remarks	Choice	Step	Level	Cons	Qty	Rep. QTY
47		40115437		SPREADER ARM A						1	
48		SM4030455SP		SCREW						1	
49		13312202		THRUST WASHER						1	
50		40115438		SPREADER FORK PIN						2	
51		40115442		SPREADER ARM SHAFT						1	
52		SM80506A2TP		SCREW M5 L=6						2	
53		SM8480652TP		SCREW						2	
54		40115424		LOOPER ARM						1	

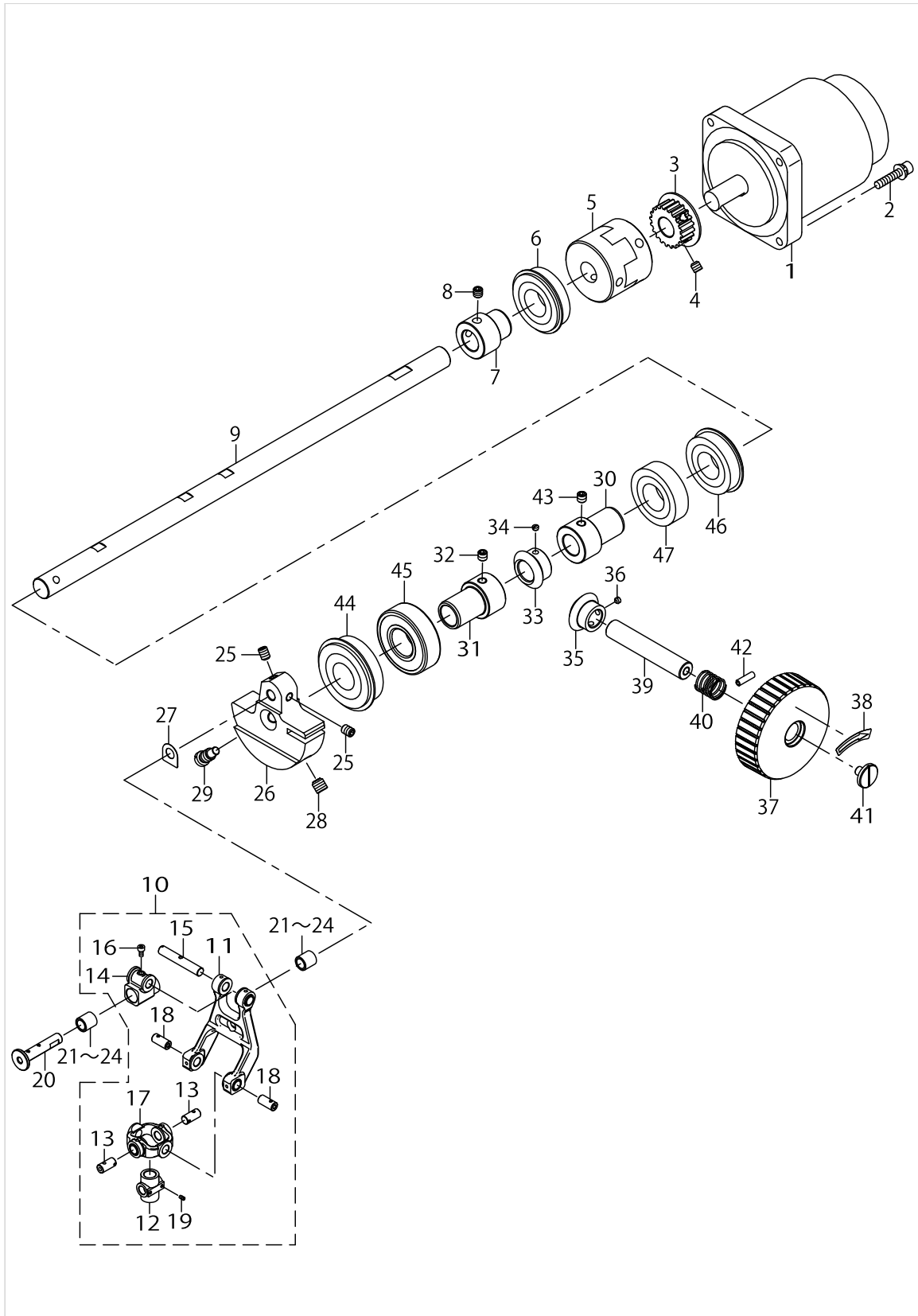
UPPER SHAFT COMPONENTS



UPPER SHAFT COMPONENTS

No.	Supply Code	Parts No.	Replacement	Parts name	Remarks	Choice	Step	Level	Cons	Qty	Rep. QTY
1		40114444		AC SERVO MOTOR						1	
2		SL6052592TN		BOLT						3	
3		40115452		UPPER SPROCKET						1	
4		SM80606A2TP		SCREW M6 L=6						2	
5		40051473		COUPLING ASM.						1	
6		SB120001600		BEARING						1	
7		23604200		MAIN SHAFT BEARING SUPPORT						1	
8		SM80606A2TP		SCREW M6 L=6						2	
9		40115453		UPPER SHAFT						1	
10		40151034		CRANK ROD ASM						1	
11		40151035		CRANK ROD METAL ASM				*		1	
12	R	40115458	40151034	NEEDLE BAR CONNECTION				*		1	1.00
13		40115467		NEEDLE BAR CONNECTION BASE SHAFT				*		2	
14	R	40115459	40151034	CRANK ROD ROCKING SHAFT BASE				*		1	1.00
15		40115461		CRANK ROD SEESAW SHAFT				*		1	
16		SM6850502TN		SCREW M2.5 L=5				*		1	
17		40151037		CONNECTION BASE ASM				*		1	
18		40115460		NEEDLE BAR CONNECTIONBASE SHAFT				*		2	
19		SM8020452TP		SCREW				*		2	
20		40115464		CRANK ROD ROCKING SHAFT						1	
21		SB3070002CA		BEARING	SELECTIVE PARTS					2	
22		SB3070002CB		BEARING	SELECTIVE PARTS					2	
23		SB3070002CC		BEARING	SELECTIVE PARTS					2	
24		SB3070002CD		BEARING	SELECTIVE PARTS					2	
25		SM8060812TP		SCREW M6 L=8						2	
26		40115465		COUNTER WEIGHT						1	
27		40115468		COUNTER WEIGHT PLATE						1	
28		SM8080812TP		SCREW M8X8						1	
29		13309208		SCREW FOR COUNTERWEIGHT						1	
30		40115466		MAIN SHAFT BEARING SUPPORT						1	
31		40115466		MAIN SHAFT BEARING SUPPORT						1	
32		SM80606A2TP		SCREW M6 L=6						2	
33		40006515		GEAR A						1	
34		SM8040310SS		SCREW M4 L=3						2	
35		40006516		GEAR B						1	
36		SM8040310SS		SCREW M4 L=3						2	
37		B1212210D00		PULLEY						1	
38		CM500200001		DIRECTION LABEL						1	
39		40044053		PULLEY SHAFT						1	
40		GAF01007000		SPRING						1	
41		A1230500000A		HANDWHEEL SETSCREW						1	
42		PS0400142KH		SPRING PIN 4X14						1	
43		SM80606A2TP		SCREW M6 L=6						2	
44		SB1200020C0		BEARING						1	
45		SB120002900		BEARING						1	

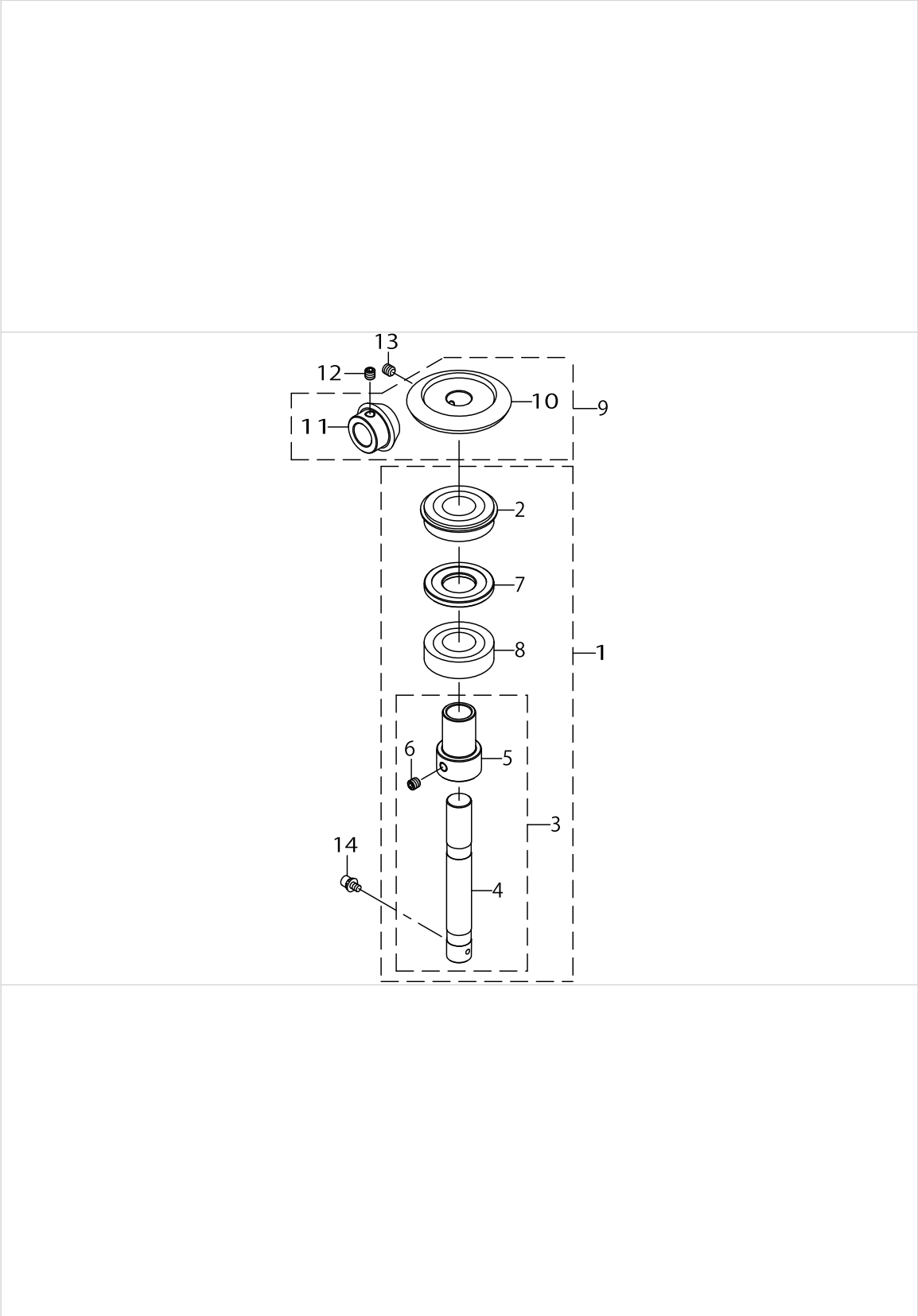
UPPER SHAFT COMPONENTS



UPPER SHAFT COMPONENTS

No.	Supply Code	Parts No.	Replacement	Parts name	Remarks	Choice	Step	Level	Cons	Qty	Rep. QTY
46		SB120001600		BEARING						1	
47		SB1200003C0		BEARING						1	

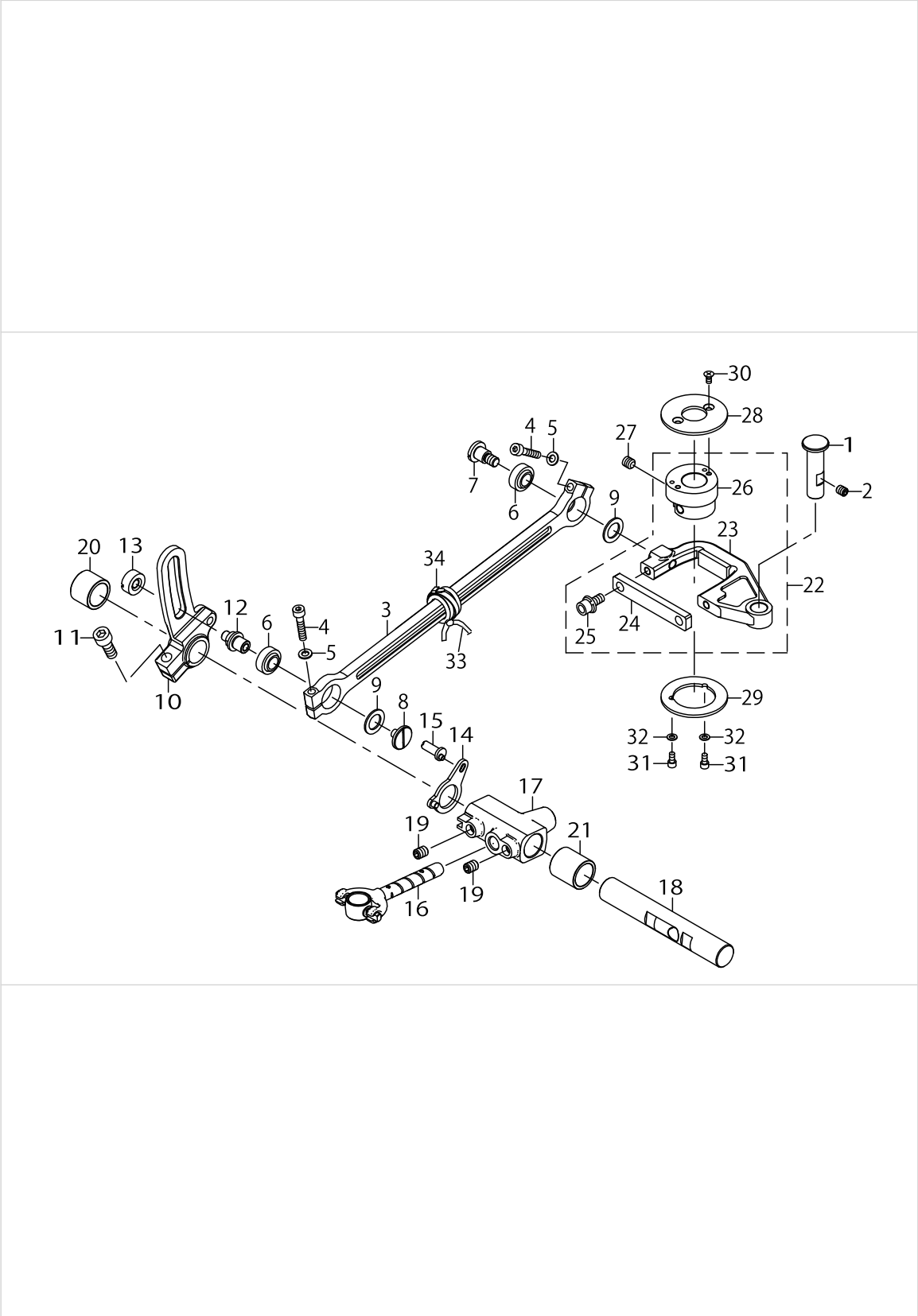
VERTICAL SHAFT COMPONENTS



VERTICAL SHAFT COMPONENTS

No.	Supply Code	Parts No.	Replacement	Parts name	Remarks	Choice	Step	Level	Cons	Qty	Rep. QTY
1		40149577		VERTICAL SHAFT BEARING ASM.						1	
2		SB120001600		BEARING				*		1	
3		40131483		BALANCE BUSH ASM.				*		1	
4		40115477		VERTICAL SHAFT				*		1	
5		40115478		BALANCE BUSH				*		1	
6		SM80606A2TP		SCREW M6 L=6				*		2	
7		40115479		BEARING COLLER				*		1	
8		SB1200003C0		BEARING				*		1	
9		40132293		VERTICAL_SHAFT_GEAR_ASM						1	
10	R	40132292	40132293	VERTICAL_SHAFT_GEAR_UPPER				*		1	1.00
11		40132291		UPPER_SHAFT_GEAR				*		1	
12		SM80606A2TP		SCREW M6 L=6						2	
13		SM80606A2TP		SCREW M6 L=6						2	
14		SL6040642TN		BOLT						1	

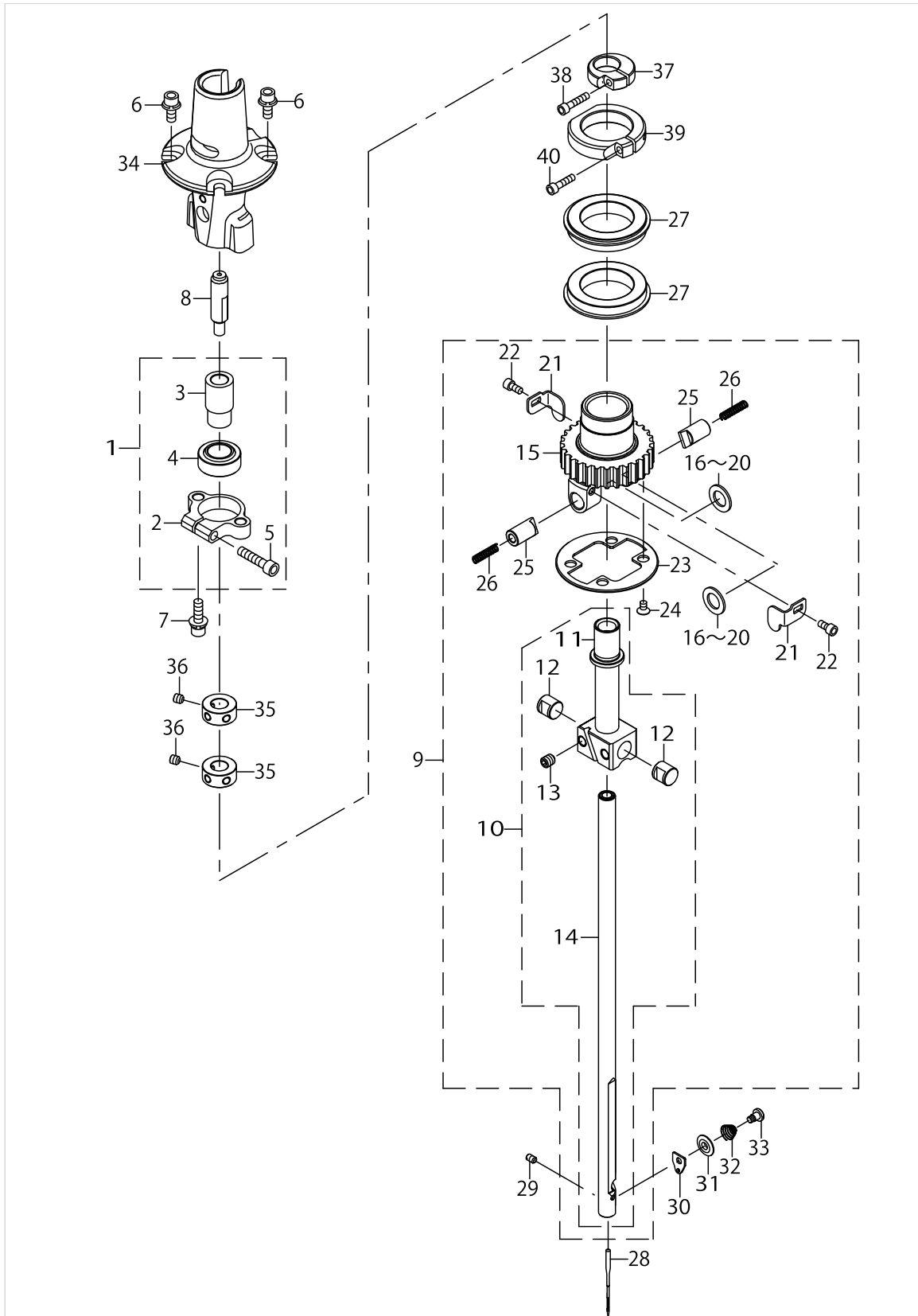
NEEDLE BAR ROCKING COMPONENTS



NEEDLE BAR ROCKING COMPONENTS

No.	Supply Code	Parts No.	Replacement	Parts name	Remarks	Choice	Step	Level	Cons	Qty	Rep. QTY
1		40115514		PITMAN FULCRAUM SHAFT						1	
2		SM8050612TP		SCREW M5X6						1	
3		40115493		ROCKING LINK A						1	
4		SM6042002TP		SCREW M4X0.7 L=20						2	
5		WP0430800SC		WASHER M4						2	
6		SB8080002C0		BEARING						2	
7		SD0800746TP		SHOULDER SCREW						1	
8		SM6050650TP		SCREW M5 L=6						1	
9		40086712		CONNECTING ROD FELT						2	
10		40115494		ADJUSTING ARM						1	
11		SM6061602TP		SCREW M6 L=16						1	
12		40115495		HINGE SCREW						1	
13		40115496		ADJUST NUT						1	
14		40115497		ASSY POSITION CONTROL PLATE						1	
15		40115500		ECCENTRIC SHAFT						1	
16		40115501		ASSY NEEDLE BAR LOCK LINK						1	
17		40115504		ROCKING BASE						1	
18		40115505		FULCRAUM SHAFT						1	
19		SM8060812TP		SCREW M6 L=8						2	
20		40115506		METAL L						1	
21		40115507		METAL R						1	
22		40115508		ASSY ROCKING CAM						1	
23	R	40115509	40115508	NEEDLE BAR PITMAN				*		1	1.00
24	R	40115510	40115508	PITMAN PLATE				*		1	1.00
25		SL6051292TN		BOLT				*		2	
26	R	40115511	40115508	ROCKING CAM				*		1	1.00
27		SM8480652TP		SCREW						2	
28		40115512		CAM PLATE						1	
29		40115513		CAM PLATE U						1	
30		SM1030601SP		SCREW M3 L=6						2	
31		SM6030602TP		SCREW M3X0.5 L=6						2	
32		WP0320500SC		WASHER M3						2	
33		CQ252200000		OIL WICK						.3	
34		EA9500B0200		CABLE BAND 150						1	

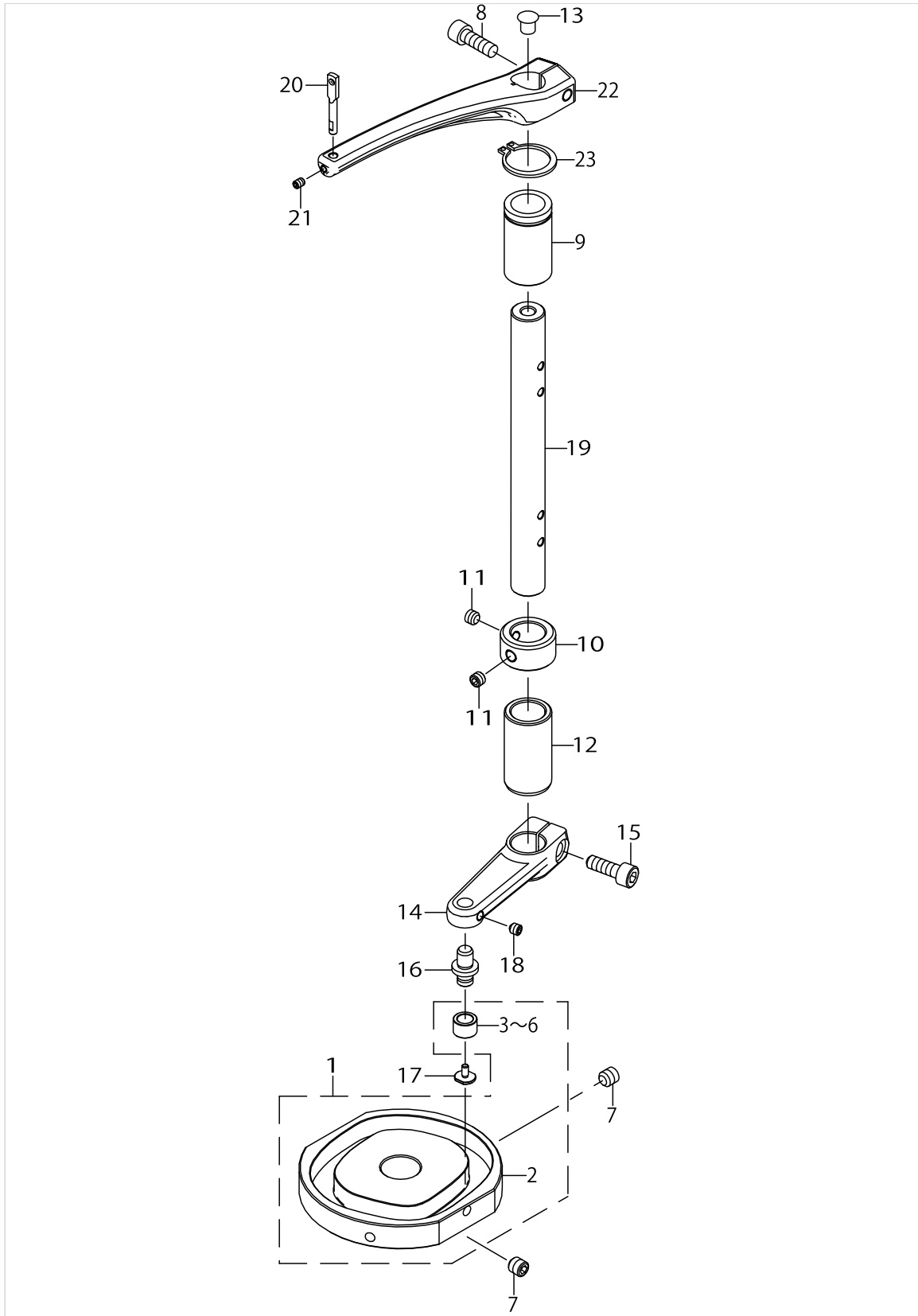
NEEDLE BAR COMPONENTS



NEEDLE BAR COMPONENTS

No.	Supply Code	Parts No.	Replacement	Parts name	Remarks	Choice	Step	Level	Cons	Qty	Rep. QTY
1		40115550		NEEDLE BAR METAL ASM						1	
2		40115546		NEEDLE BAR METAL HOLDER				*		1	
3		40115545		NEEDLE BAR METAL COLLAR				*		1	
4		40115547		BEARING				*		1	
5		SM6041802TP		SCREW M4 L=18				*		1	
6		SL6041092TN		SCREW						4	
7		SL6041492TN		SCREW						2	
8		40115525		NEEDLE BAR THREAD GUIDE ASM					☆	1	
9		40145281		ASSY NEEDLE BAR						1	
10		40151038		NEEDLE BAR ROCKING BASE ASM				*		1	
11		40151039		NEEDLE BAR ROCKING BASE				*		1	
12		40115530		NEEDLE BAR THRUST PIN				*		2	
13		SM80506A2TP		SCREW M5 L=6				*		2	
14		40115531		NEEDLE BAR				*		1	
15		40145279		REVOLUTION SPROCKET				*		1	
16		40151040		THRUST WASHER A	SELECTIVE PARTS			*		2	
17		40151041		THRUST WASHER B	SELECTIVE PARTS			*		2	
18		40151042		THRUST WASHER C	SELECTIVE PARTS			*		2	
19		40151043		THRUST WASHER D	SELECTIVE PARTS			*		2	
20		40151044		THRUST WASHER E	SELECTIVE PARTS			*		2	
21		40115535		ROCKING GUIDE HOOK				*		2	
22		SM6030602TP		SCREW M3X0.5 L=6				*		2	
23		40145280		FRANGE B				*		1	
24		SM1030501SC		SCREW M3 L=5				*		4	
25		14009104		NEEDLE BAR ROCKING GUIDE				*		2	
26		14009203		SPRING				*		2	
27		SB1250005C0		BEARING						2	
28		MC185801100		NEEDLE SCHMETZ 558 NM110					☆	1	
29		SM8430550TP		SCAREW M3X0.35 L=4.5						1	
30		40115448		THREAD GUIDE					☆	1	
31		B2313180000		TENSION DISC					☆	1	
32		14045900		TENSION SPRING					☆	1	
33		14045801		SCREW					☆	1	
34		40115524		NEEDLE BAR COVER					☆	1	
35		40115492		COLLAR						2	
36		SM8040412TP		SET SCREW M4 L=4						6	
37		40115543		THRUST COLLAR						1	
38		SM6031402TP		SCREW						1	
39		40115544		REVOLUUTION COLLAR						1	
40		SM6031202TP		SCREW M3X0.5 L=12						1	

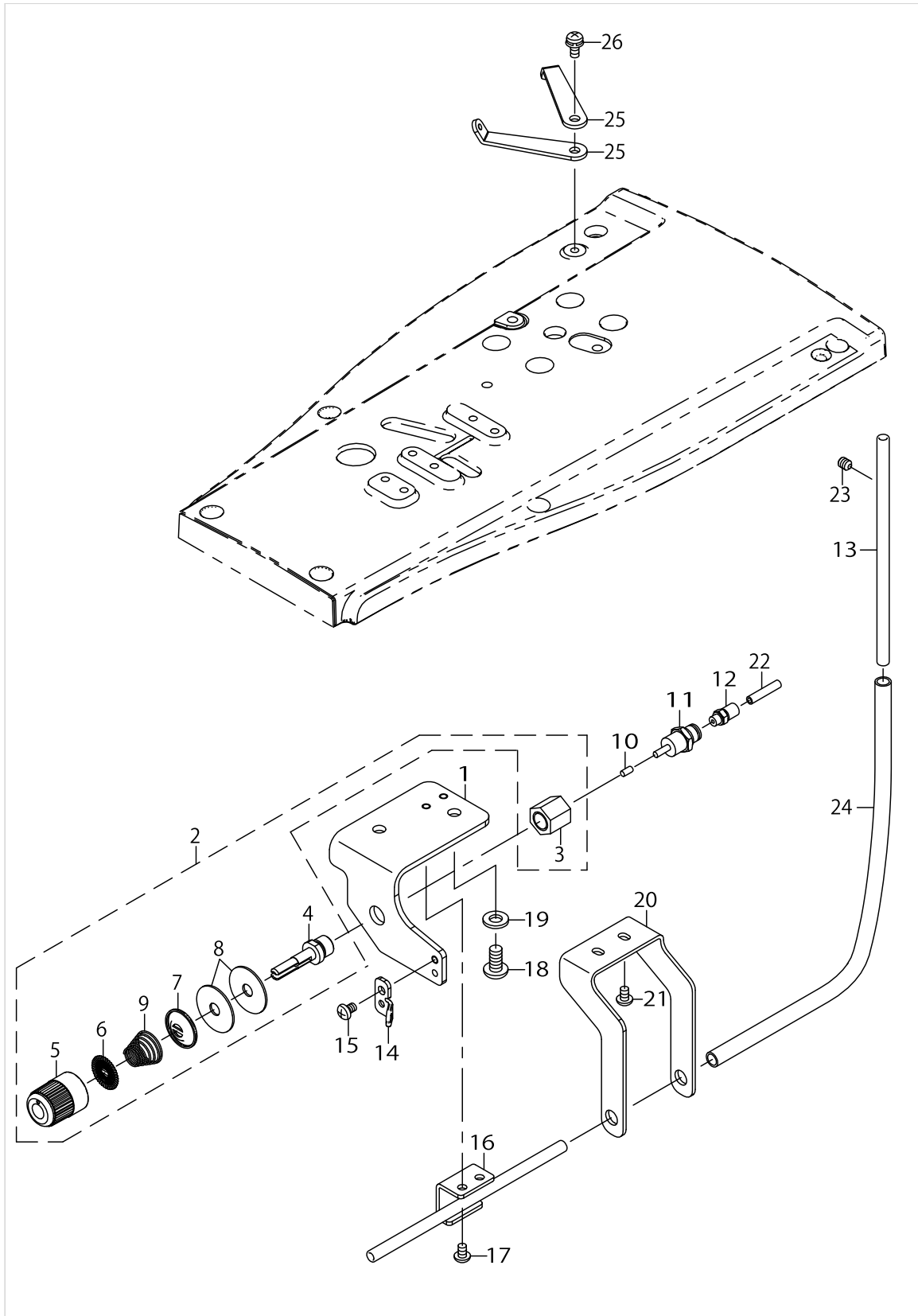
THREAD TAKE-UP LEVER COMPONENTS



THREAD TAKE-UP LEVER COMPONENTS

No.	Supply Code	Parts No.	Replacement	Parts name	Remarks	Choice	Step	Level	Cons	Qty	Rep. QTY
1		40115563		TAKE UP CAM ASM						1	
2		40115564		TAKE UP CAM				*		1	
3		40099989		SPREADER CAM ROLLER A	SELECTIVE PARTS			*		1	
4		40099990		SPREADER CAM ROLLER B	SELECTIVE PARTS			*		1	
5		40099991		SPREADER CAM ROLLER C	SELECTIVE PARTS			*		1	
6		40099992		SPREADER CAM ROLLER D	SELECTIVE PARTS			*		1	
7		SM80606A2TP		SCREW M6 L=6						2	
8		SM6051552TP		SCREW M5 L=15						1	
9		40145236		THREAD TAKE UP METAL U						1	
10		40115561		THRUST COLLER						1	
11		SM8050412TP		SCREW M5 L=4						2	
12		40115562		THREAD TAKE UP METAL L						1	
13		TA0550604R0		RUBBER PLUG						1	
14		40115566		THREAD TAKE UP LEVER L						1	
15		SM6051552TP		SCREW M5 L=15						1	
16		40115567		ROLLER SHAFT						1	
17		40099923		CAM ROLLER SCREW						1	
18		SM8040402TP		SCREW M4X0.7 L=4						1	
19		40115557		THREAD TAKE UP LEVER SHAFT						1	
20		40115558		TAKE UP THREAD GUIDE					☆	1	
21		SM8030412TP		SCREW						1	
22		40115559		THREAD TAKE UP LEVER U						1	
23		RC1650001KP		RETAINING RING 16.5						1	

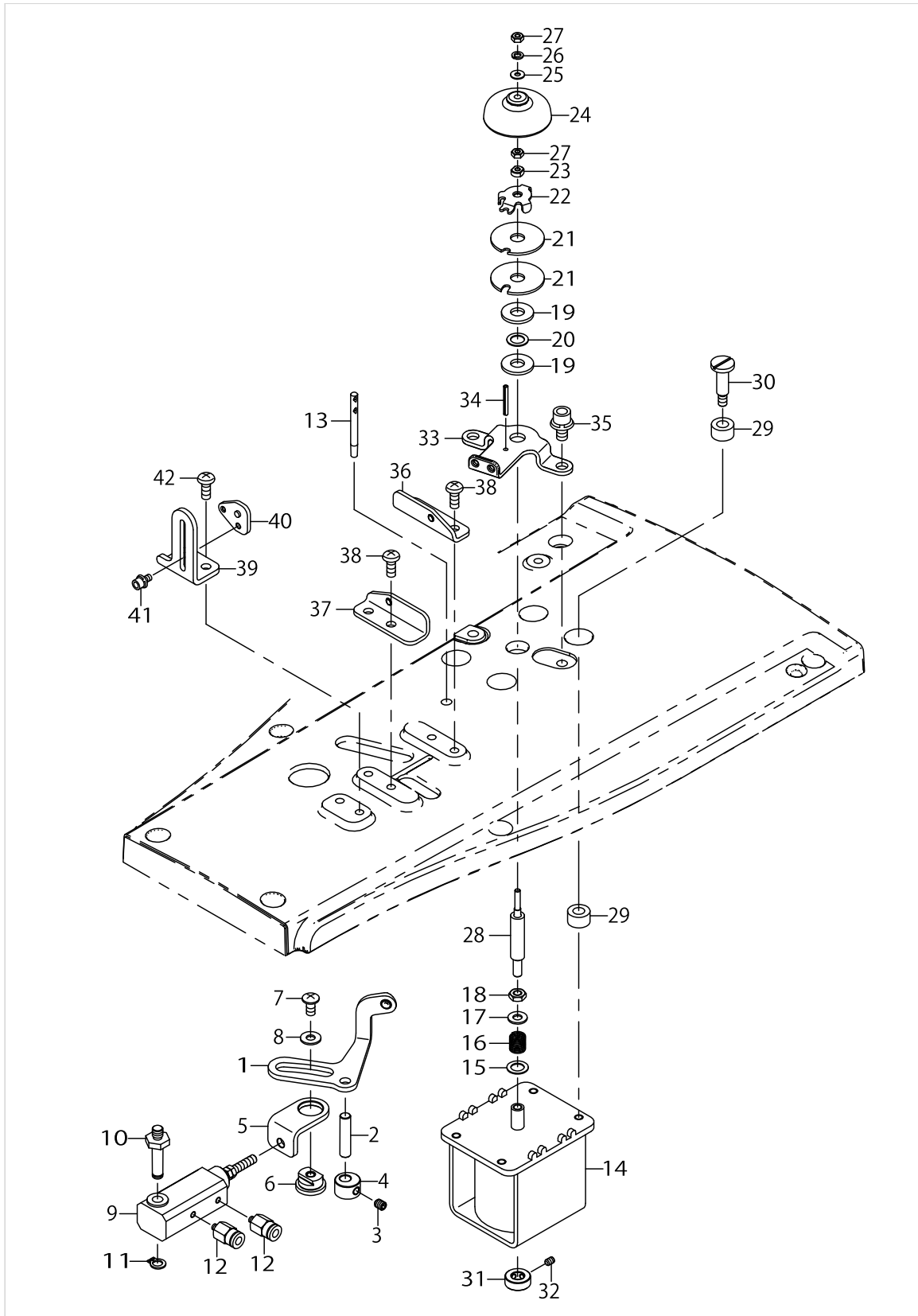
LOWER THREAD HAUL COMPONENTS



LOWER THREAD HAUL COMPONENTS

No.	Supply Code	Parts No.	Replacement	Parts name	Remarks	Choice	Step	Level	Cons	Qty	Rep. QTY
1		40118782		THREAD TENSION BRACKET						1	
2		40115578		LOWER THREAD TENSION ASM						1	
3	R	40115579	40115578	THREAD TENSION POST BASE				*		1	1.00
4		40115580		THREAD TENSION POST				*		1	
5		13341102		KNOB BLUE				*		1	
6		22921407		ROTATION STOPPER				*		1	
7		22921803		DISK STOPPER				*		1	
8	R	22928907	22921506	THREAD TENSION DISK				*		2	1.00
9	R	B3121804000	40102003	TENSION SPRING				*		1	1.00
10		PH0300062C0		PIN						1	
11		PA0600504A0		AIR CYLINDER						1	
12		PJ032052503		HOSE NIPPLE						1	
13		40115588		THREADGUIDEPIPEB						1	
14		40115581		THREAD GUIDE						1	
15		SM4040655SP		SCREW M4 L=6						1	
16		40115585		LOWER THREAD PIPE B ASM						1	
17		SM4040655SP		SCREW M4 L=6						2	
18		SM4061255SP		SCREW M6 L=12						2	
19		WP0641601SD		WASHER M6						2	
20		40115589		TUBE STAY						1	
21		SM4040655SP		SCREW M4 L=6						2	
22		BT0400251EB		URETHANE HOSE BLACK						3	
23		SM8050612TP		SCREW M5X6						1	
24		BT0800601B0		FEP TUBE CLEAR 8X6						.27	
25		B1128850000		LOOPER THREAD GUIDE						2	
26		SL4041091SC		SCREW M4 L=10						1	

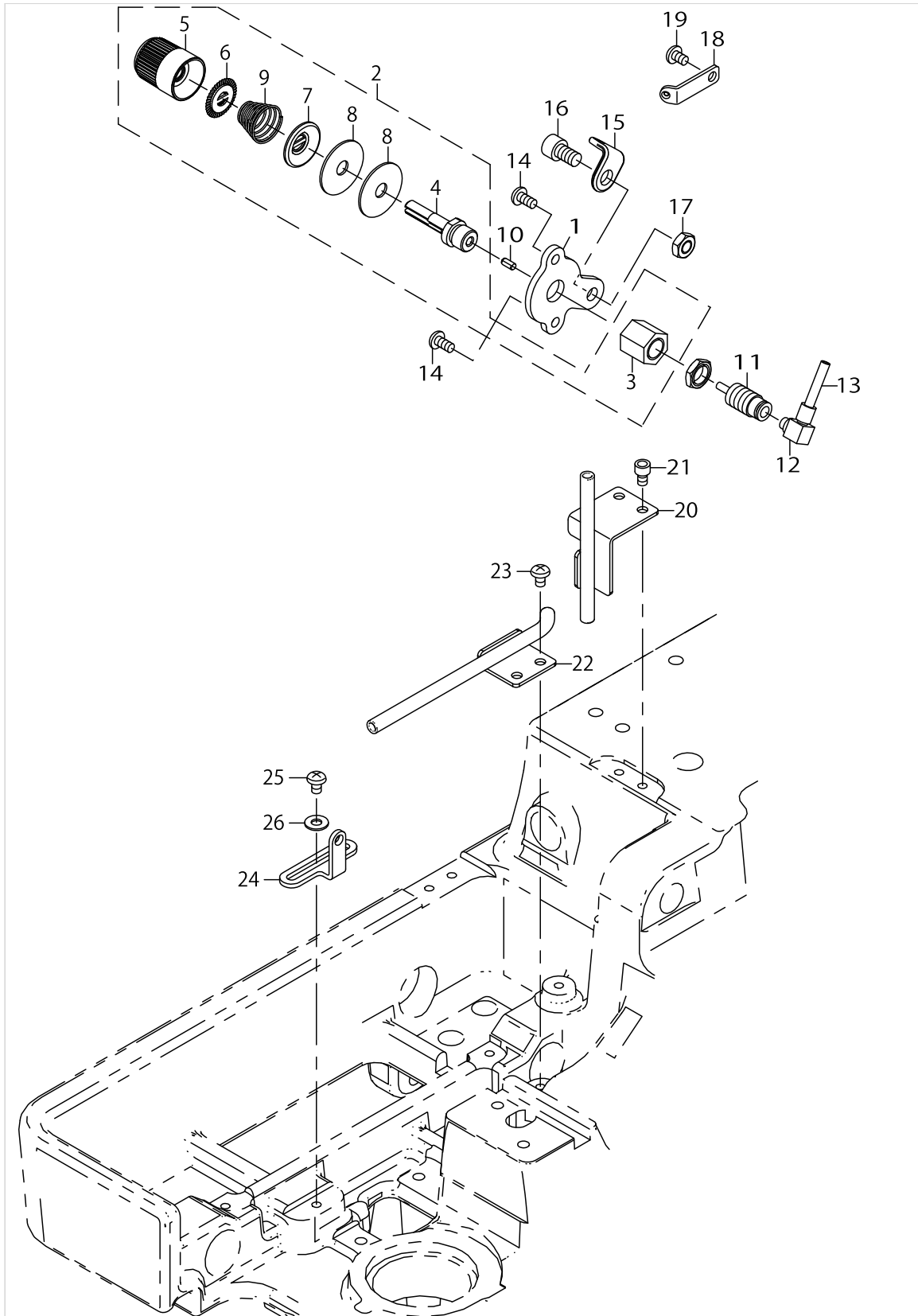
UPPER THREAD HAUL COMPONENTS



UPPER THREAD HAUL COMPONENTS

No.	Supply Code	Parts No.	Replacement	Parts name	Remarks	Choice	Step	Level	Cons	Qty	Rep. QTY
1		40115597		THREAD HAUL ASM						1	
2		13409800		DIFF LINK PIN						1	
3		SM8040502TP		SCREW M4X0.7 L=5						1	
4		40115599		THRUST COLLER						1	
5		40115600		THREAD HAUL PLATE						1	
6		40115601		THREAD HAUL NUT						1	
7		SM0040801SC		SCREW						1	
8		14030100		WASHER						1	
9		PA1001029A0		AIR CYLINDER						1	
10		40115602		AIR CYRINDER PIN						1	
11		RC0470611KP		RETAINING RING 4.7						1	
12		PJ21030401C		UNION PIPE JOINT						2	
13		22502504		THREAD GUIDE BAR						1	
14		32054900		AT (UPPER)						1	
15		26217604		WASHER						1	
16		32055501		AT (UPPER) SPRING						1	
17		WP0430801SC		WASHER M4						1	
18		NM6040003SC		NUT M4						1	
19		40008423		WASHER						2	
20		32053506		THREAD TENSIONS RUBBER SEAT						1	
21		40020389		THREAD TENSION DISK						2	
22		40115603		DISK STOPPER						1	
23		40115604		THREAD TENTION SHAFT COLLER						1	
24		40115605		AT DISK COVER						1	
25		WP0250501SC		WASHER 2.5X6.5						1	
26		WS0310002KR		SPRING WASHER 3.1X5.9X0.7						1	
27		NM6850001SC		NUT M2.5X0.45 TYPE1						2	
28		40115606		THREAD TENSION SHAFT						1	
29		40115607		RUBBER CUSHION						8	
30		40115608		AT SHOULDER SCREW						4	
31		40010477		AT SOL COLLAR						1	
32		SM8030412TP		SCREW						2	
33		40020390		AT THREAD GUIDE						1	
34		PS0200162KH		SPRING PIN						1	
35		SL6051092TN		BOLT						2	
36		40115609		THREAD GUIDE ASMA						1	
37		40115611		THREAD GUIDE ASMB						1	
38		SM4041055SP		SCREW						4	
39		40115612		THREAD TAKE UP STAND						1	
40		40115613		MOVABLE THREAD GUIDE						1	
41		SL6030692TN		SCREW M3 L=6						1	
42		SM4041055SP		SCREW						2	

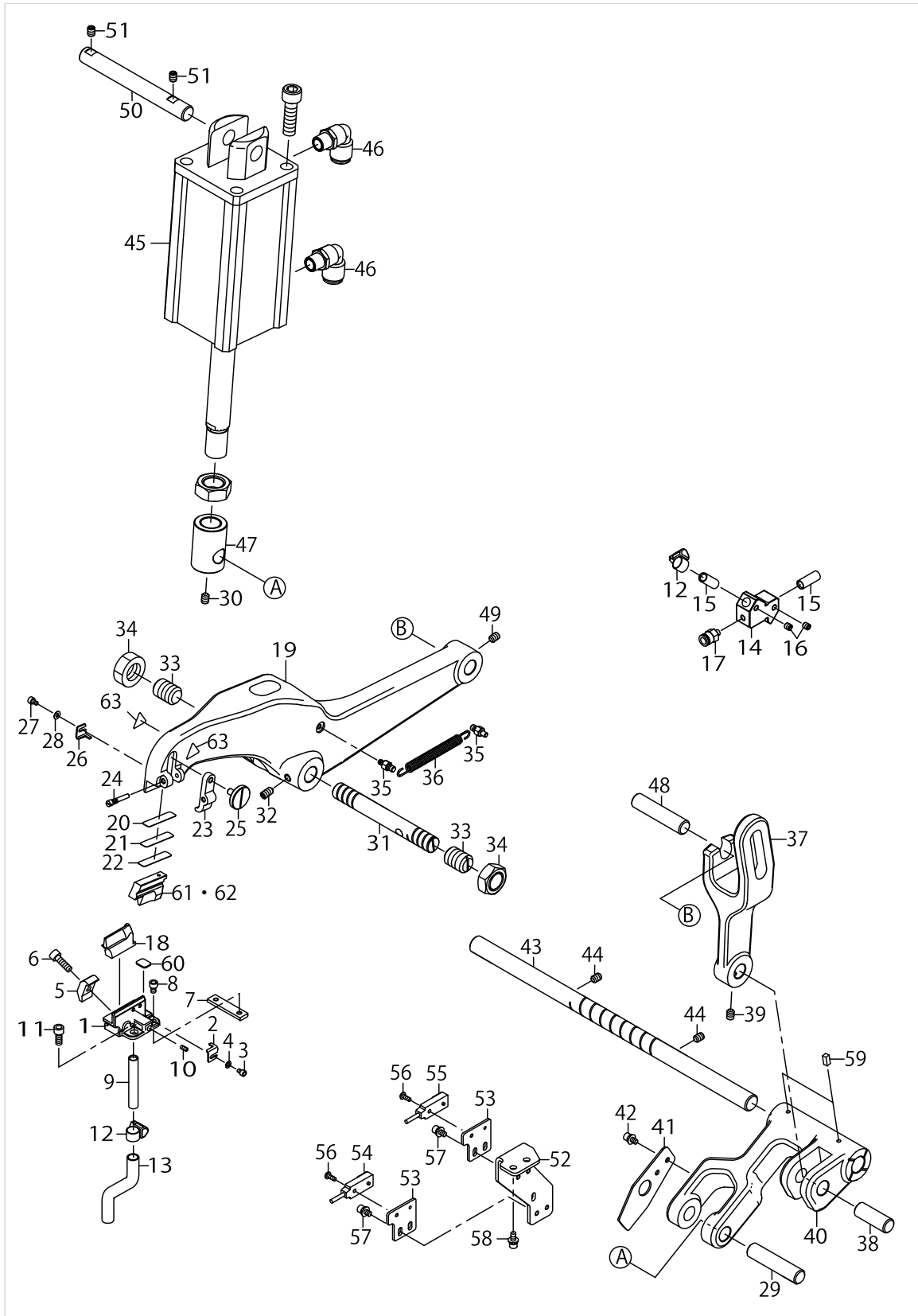
GIMP HAUL COMPONENTS



GIMP HAUL COMPONENTS

No.	Supply Code	Parts No.	Replacement	Parts name	Remarks	Choice	Step	Level	Cons	Qty	Rep. QTY
1		40115622		THREAD TENSION BRACKET						1	
2		40115578		LOWER_THREAD_TENSION_ASM						1	
3	R	40115579	40115578	THREAD TENSION POST BASE				*		1	1.00
4		40115580		THREAD TENSION POST				*		1	
5		13341102		KNOB BLUE				*		1	
6		22921407		ROTATION STOPPER				*		1	
7		22921803		DISK STOPPER				*		1	
8	R	22928907	22921506	THREAD TENSION DISK				*		2	1.00
9	R	B3121804000	40102003	TENSION SPRING				*		1	1.00
10		PH0300062C0		PIN						1	
11		PA0600504A0		AIR CYLINDER						1	
12		PJ046052503		HOSE ELBOW						1	
13		BT0400251EB		URETHANE HOSE BLACK						3	
14		SM4040855SP		SCREW						2	
15		40010414		THREAD GUIDE NO.1						1	
16		SM6061002TP		SCREW M6 L=10						1	
17		NM6060003SC		NUT M6						1	
18		13332705		EYELET C						1	
19		SM4040655SP		SCREW M4 L=6						1	
20		40115624		GIMP PIPE A ASM						1	
21		SM6040602TP		SCREW M4 L=6						2	
22		40115627		GIMP PIPE B ASM						1	
23		SM4040655SP		SCREW M4 L=6						2	
24		40115629		THREAD GUIDE C						1	
25		SM4040655SP		SCREW M4 L=6						1	
26		WP0450801SP		WASHER						1	

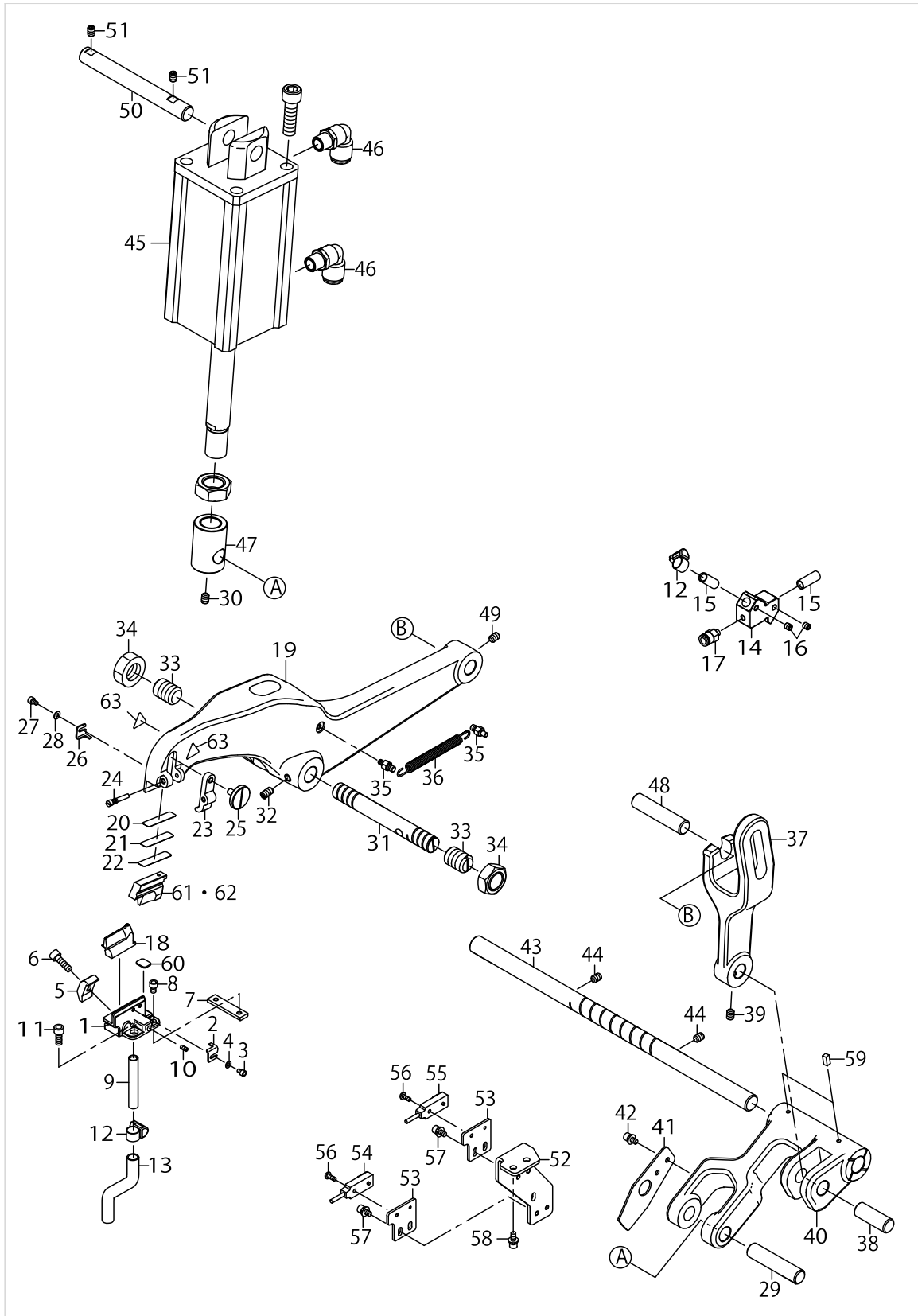
CLOTH CUTTING COMPONENTS



CLOTH CUTTING COMPONENTS

No.	Supply Code	Parts No.	Replacement	Parts name	Remarks	Choice	Step	Level	Cons	Qty	Rep. QTY
1		40151033		KNIFE BASE						1	
2		14040802		KNIFE STOPPER(UPPER LOWER)						1	
3		SM6030402TP		SCREW M3X0.5 L=4						1	
4		WP0320500SD		M3 WASHER						1	
5		14040703		KNIFE FIX PLATE LOWER						1	
6		SM6051602TP		SCREW M5X0.8 L=16						1	
7		40115658		KNIFE BASE KEY						1	
8		SM6040602TP		SCREW M4 L=6						2	
9		40115659		DUST CHUTE						1	
10		SM8030602TP		SCREW M3X0.5 L=6						1	
11		SM6051202TP		SCREW M5X0.8 L=12						2	
12		16121907		HOSE BAND						2	
13		BT1200801EF		TUBE						1.5	
14		40115661		DUST SUCTIONER						1	
15		40115660		DUST CHUTE B						2	
16		SM8050602TP		SCREW M5 L=6						2	
17		PJ3C1060503		HALF UNION						1	
18		40115664		KNIFE					☆	1	
19		40115637		KNIFE ARM						1	
20		40115638		SPACER 01	SELECTIVE PARTS (TWO PIECES ARE USED FROM 0.)					1	
21		40115639		SPACER 02	SELECTIVE PARTS (TWO PIECES ARE USED FROM 0.)					1	
22		40115640		SPACER 03	SELECTIVE PARTS (TWO PIECES ARE USED FROM 0.)					1	
23		40115641		HAMMER HOLDING PLATE						1	
24		14039507		SCREW						1	
25		32068900		KNIFE FIXING SCREW						1	
26		14040802		KNIFE STOPPER(UPPER LOWER)						1	
27		SM6030502TP		BOLT M3X5						1	
28		WP0320501SD		WASHER						1	
29		40115654		KNIFE CYLINDER PIN						1	
30		SM80608A2TP		SCREW M6 L=8						1	
31		40115644		KNIFE ARM FULCRUM SHAFT						1	
32		SM8061242TP		SCREW						1	
33		40115645		KNIFE ARM SCREW						2	
34		NM6660043SD		NUT M16X1.5 TYPE3						2	
35		40115642		SPRING HOOK						2	
36		40115643		KNIFE ARM SPRING						1	
37		40115647		KNIFE MIDDLE LINK						1	
38		40115648		KNIFE DRIVING ARM PIN						1	
39		SM80608A2TP		SCREW M6 L=8						1	
40		40115649		KNIFE DRIVING ARM						1	

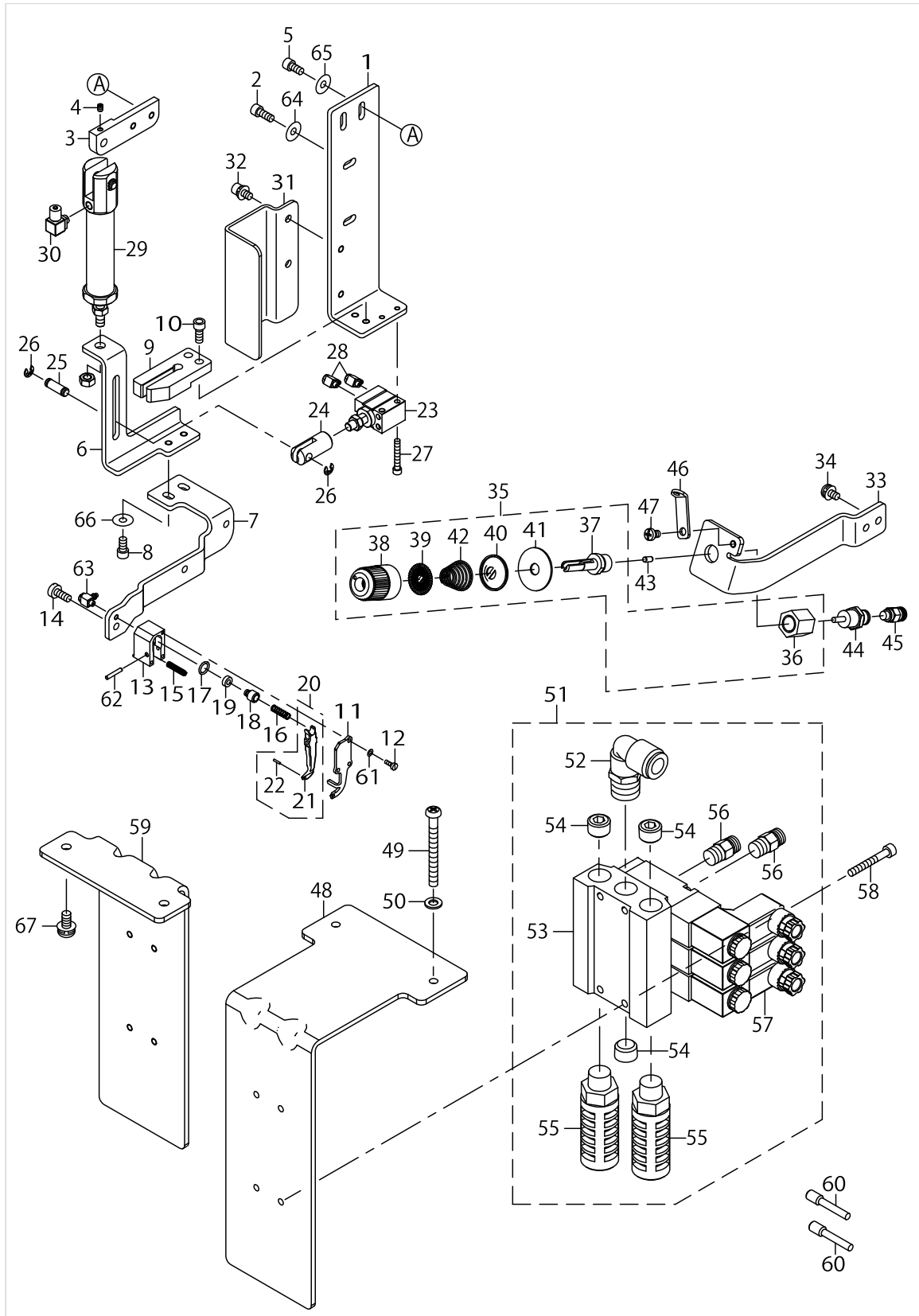
CLOTH CUTTING COMPONENTS



CLOTH CUTTING COMPONENTS

No.	Supply Code	Parts No.	Replacement	Parts name	Remarks	Choice	Step	Level	Cons	Qty	Rep. QTY
41		40115651		KNIFE SENNSOR SLIT						1	
42		SL6040892TN		BOLT						2	
43		40115652		KNIFE DRIVING ARM FULCRUM SHAFT						1	
44		SM80608A2TP		SCREW M6 L=8						2	
45		40115655		AIR CYLINDER						1	
46	D	PJ304105201		ELBOW UNION B						2	
47		40115653		KNUCKLE JOINT						1	
48		40115654		KNIFE CYLINDER PIN						1	
49		SM80608A2TP		SCREW M6 L=8						1	
50		40115656		KNIFE CYLINDER FULCRUM SHAFT						1	
51		SM80608A2TP		SCREW M6 L=8						2	
52		40115662		KNIFE SENSOR STAY						1	
53		40115663		SENSOR PLATE						2	
54		40114422		CU SENSOR ASM						1	
55		40114426		CMPOSSENSORASM						1	
56	D	SM4030801SE		SCREW M3 L=8						2	
57		SL6040892TN		BOLT						4	
58		SL6041092TN		SCREW						2	
59		32075301		CLOTH KNIFE LEVER FELT						2	
60		40115671		KNIFE BASE PLATE						1	
61		40115667		HAMMER 20MM EYELET H	TYPE J				☆	1	
62		40115666		HAMMER 16MM EYELET H	TYPE C				☆	1	
63		CM300200001		ATTENTION SEAL						2	

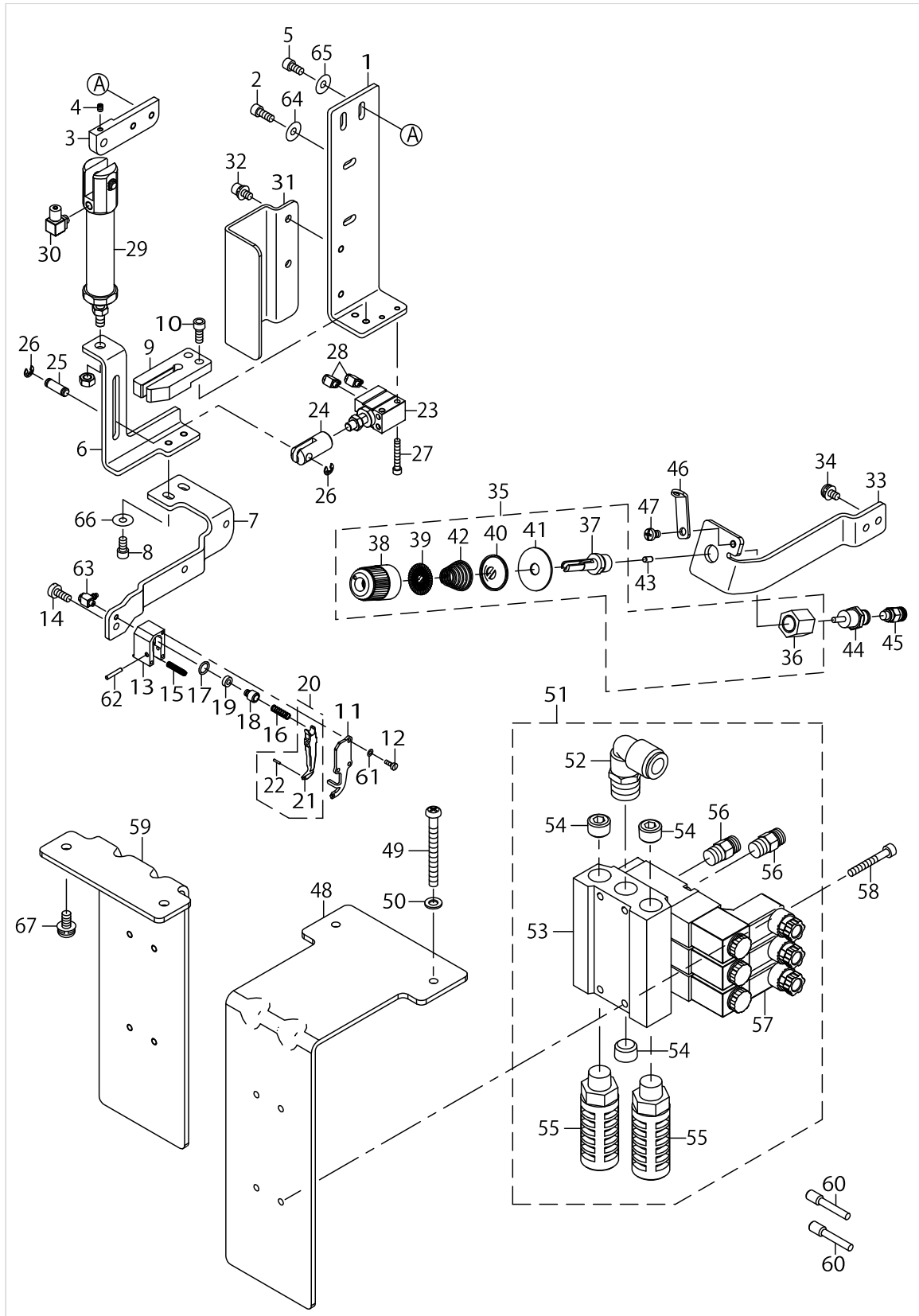
UPPER THREAD CLAMP UNIT



UPPER THREAD CLAMP UNIT

No.	Supply Code	Parts No.	Replacement	Parts name	Remarks	Choice	Step	Level	Cons	Qty	Rep. QTY
1		40115909		THREAD CLAMP BRACKET						1	
2		SM6041002TP		SCREW M4 L=10						2	
3		40115912		CYLINDER GUIDE						1	
4		SM8030412TP		SCREW						1	
5		SM6040802TP		SCREW M4X0.7 L=8						2	
6		40115911		THREAD CLAMP SLIT						1	
7		40115910		THREAD CLAMP BASE ARM						1	
8		SM6040802TP		SCREW M4X0.7 L=8						2	
9		40115916		SLIT GUIDE						1	
10		SM6041002TP		SCREW M4 L=10						2	
11		40115901		THREAD CLAMP A						1	
12		SM6020600TP		SCREW						3	
13		40145282		THREAD CLAMP BASE						1	
14		SM6041050TP		SCREW						1	
15		40115907		THREAD CLAMP SPRING						1	
16		40115906		THREAD CLAMP PISTON SPRING						1	
17		40115914		O RING						1	
18		40115904		THREAD CLAMP PISTON						1	
19		40115905		PISTON PACKING						1	
20		40138570		THREAD_CLAMP_B_ASM						1	
21		40139096		THERAD_CLAMP_B				*		1	
22		PS0100052KP		SPRING PIN				*		1	
23		PA1000601A0		AIR CYLINDER						1	
24		B1625220000		CYLINDER KNUCKLE						1	
25		B1626220000		CYLINDER PIN						1	
26		RE0300000K0		E-RING 3						2	
27		SM6032002TN		SCREW M3X0.5 L=20						2	
28		PJ046039001		ELBOW						2	
29		PA1602009A0		CYLINDER						1	
30		PJ046052503		HOSE ELBOW						1	
31		40115917		CLAMP COVER						1	
32		SL6040892TN		BOLT						2	
33		40115918		TENSION PLATE						1	
34		SL4040891SC		SCREW M4 L=8						2	
35		40115919		LOWER THREAD TENSION ASM.						1	
36	R	40115579	40115578	THREAD TENSION POST BASE				*		1	1.00
37		40115580		THREAD TENSION POST				*		1	
38		13341102		KNOB BLUE				*		1	
39		22921407		ROTATION STOPPER				*		1	
40		22921803		DISK STOPPER				*		1	
41	R	22928907	22921506	THREAD TENSION DISK				*		1	1.00
42	R	B3121804000	40102003	TENSION SPRING				*		1	1.00
43		PH0300062C0		PIN						1	
44		PA0600504A0		AIR CYLINDER						1	
45		PJ3C1040502		HALF UNION 4XM5						1	
46		13332705		EYELET C						1	

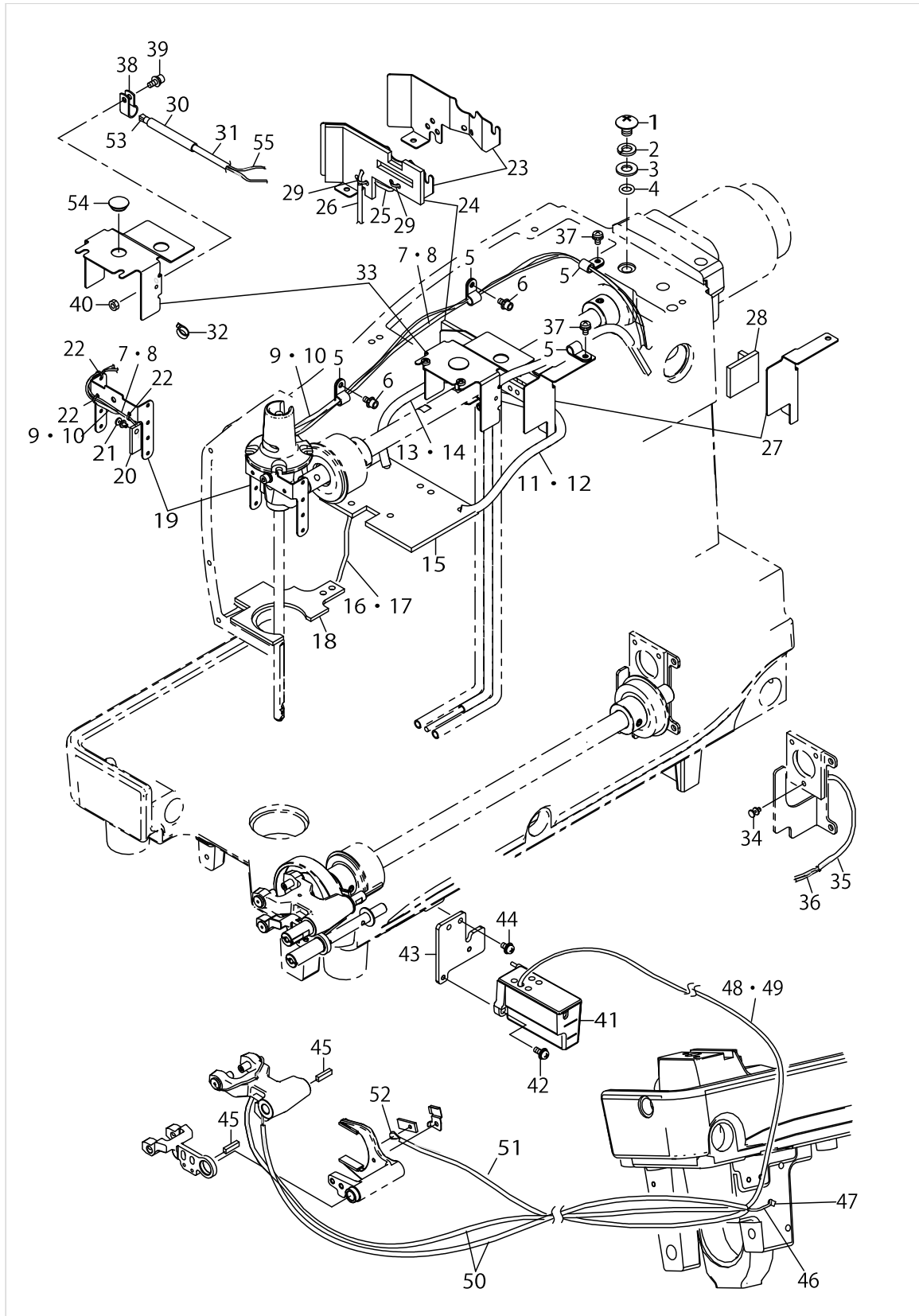
UPPER THREAD CLAMP UNIT



UPPER THREAD CLAMP UNIT

No.	Supply Code	Parts No.	Replacement	Parts name	Remarks	Choice	Step	Level	Cons	Qty	Rep. QTY
47		SM4040655SP		SCREW M4 L=6						1	
48		40145232		SOLENOID VALBE BASE	FOR DESK TOP					1	
49		SM4055001SF		SCREW M5 L=50	FOR DESK TOP					2	
50		WP0531001SC		WASHER M5	FOR DESK TOP					2	
51		40145219		CLAMP MANIFOLD VALVE ASSY						1	
52	D	PJ304105201		ELBOW UNION B				*		1	
53		PV03520900C		MANIFOLD				*		1	
54		PJ025200001		RUBBER PLUG				*		3	
55		PX055202C00		SILENCER				*		2	
56		PJ301045101		HALF UNION				*		6	
57		PV1551140A0		5-PORT_SOLENOID_VALVE				*		1	
58		SM6043002TN		SCREW						4	
59		40157834		MANIFOLD BRACKET	FOR SEMI-SUNKEN					1	
60		PX500014000		PLUG						2	
61		WP0220300SC		WASHER						2	
62		40055811		TP SHAFT PIN L						1	
63		PJ046039001		ELBOW						1	
64		WP0431005SP		PLAIN WASHER 4.3X12X1						2	
65		WP0431005SP		PLAIN WASHER 4.3X12X1						2	
66		WP0431005SP		PLAIN WASHER 4.3X12X1						2	
67		SL4051291SC		SCREW M5X0.8 L=12	FOR SEMI-SUNKEN					2	

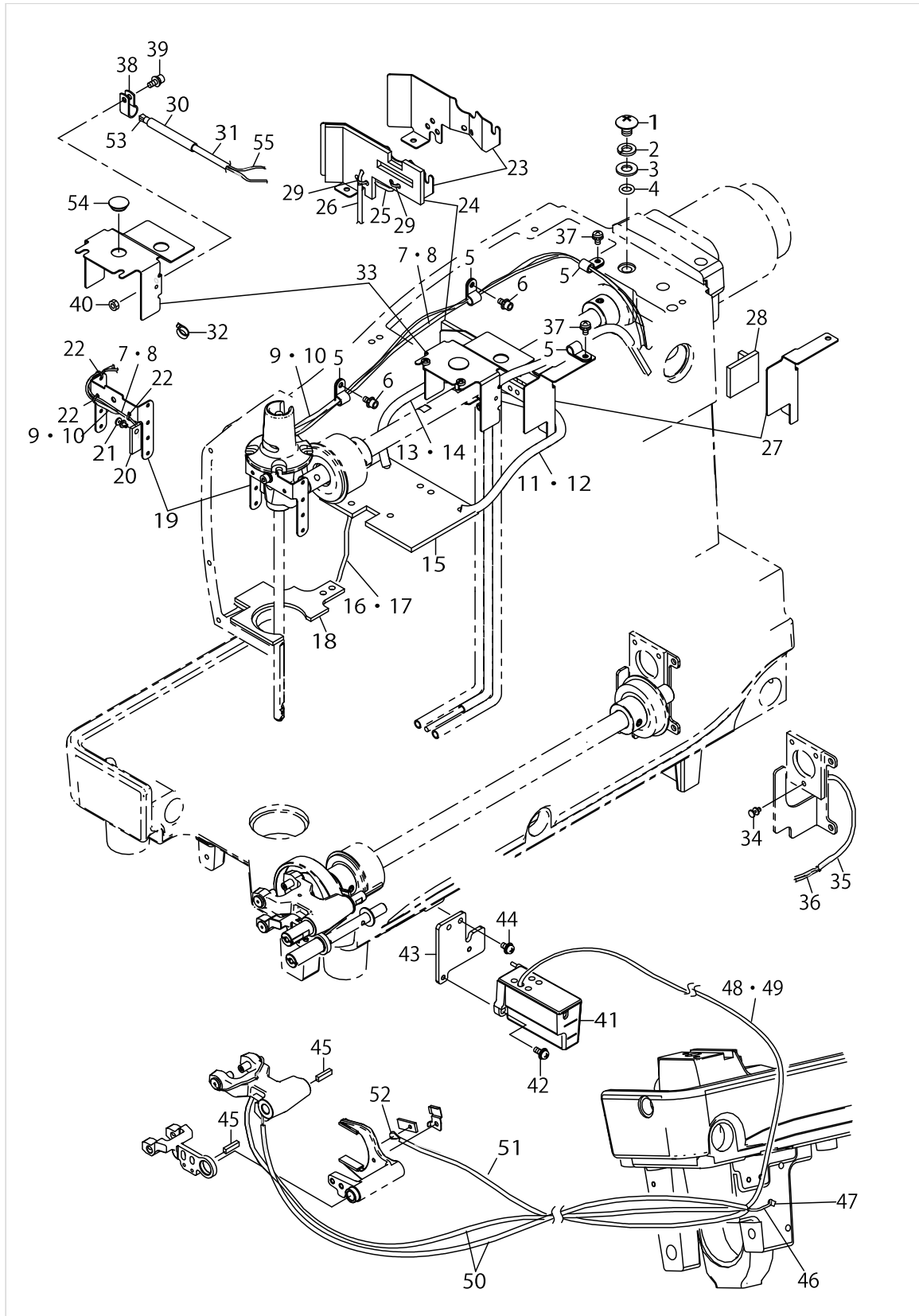
LUBRICATION MECHANISM COMPONENTS



LUBRICATION MECHANISM COMPONENTS

No.	Supply Code	Parts No.	Replacement	Parts name	Remarks	Choice	Step	Level	Cons	Qty	Rep. QTY
1		SM0081001SD		SCREW						1	
2		WS0820002KN		SPRING WASHER M8						1	
3		WP0841601SC		WASHER 8.4X17.4X1.6						1	
4		13170105		RUBBER RING						1	
5		HX00150000D		CABLE CLIP						4	
6		SL6040892TN		BOLT						2	
7		23630007		TUBE						.68	
8		CQ200000000		OIL WICK						1.46	
9		23630007		TUBE						.63	
10		CQ200000000		OIL WICK						1.36	
11		40119990		OIL RETURN FELT 500						1	
12		BP500000000		VINYL PIPE						.36	
13		40119990		OIL RETURN FELT 500						1	
14		BP500000000		VINYL PIPE						.32	
15		40115225		ARM FELT U						1	
16		BP500000000		VINYL PIPE						.06	
17		40119991		OIL RETURN FELT 110						1	
18		40115699		ARM FELT						1	
19		40115698		NEEDLE LUBRICATION PLATE						1	
20		B3518280000		BALANCE LUBRICATING						1	
21		HX00094000A		NYLON RIVET						1	
22		EA9500B0100		CABLE BAND						3	
23		40115222		FELT BASE A						1	
24		40115224		FELT A						1	
25		40119990		OIL RETURN FELT 500						1	
26		BP500000000		VINYL PIPE						.33	
27		40115221		FELT BASE B						1	
28		40115223		FELT B						1	
29		EA9500B0100		CABLE BAND						2	
30		23630007		TUBE						.18	
31		BP500000000		VINYL PIPE						.05	
32		EA9500B0100		CABLE BAND						3	
33		40119996		GEAR LUBRICATION PLATE						1	
34	D	HX00094000C		NYLON RIVET						3	
35		23630007		TUBE						.15	
36		CQ200000000		OIL WICK						.42	
37		SL4040891SC		SCREW M4 L=8						2	
38		HX00150000C		CABLE CLIP						1	
39		SL6041092TN		SCREW						1	
40		NM6040001SC		NUT M4X0.7 TYPE1						1	
41		40146259		BED IOL TANK						1	
42		SL4041091SC		SCREW M4 L=10						2	
43		40145264		OIL TANK BASE 3810						1	
44		SL4041091SC		SCREW M4 L=10						2	
45		40020191		BRACKET LUBRICATION FELT A						2	
46		CQ252200000		OIL WICK						.09	

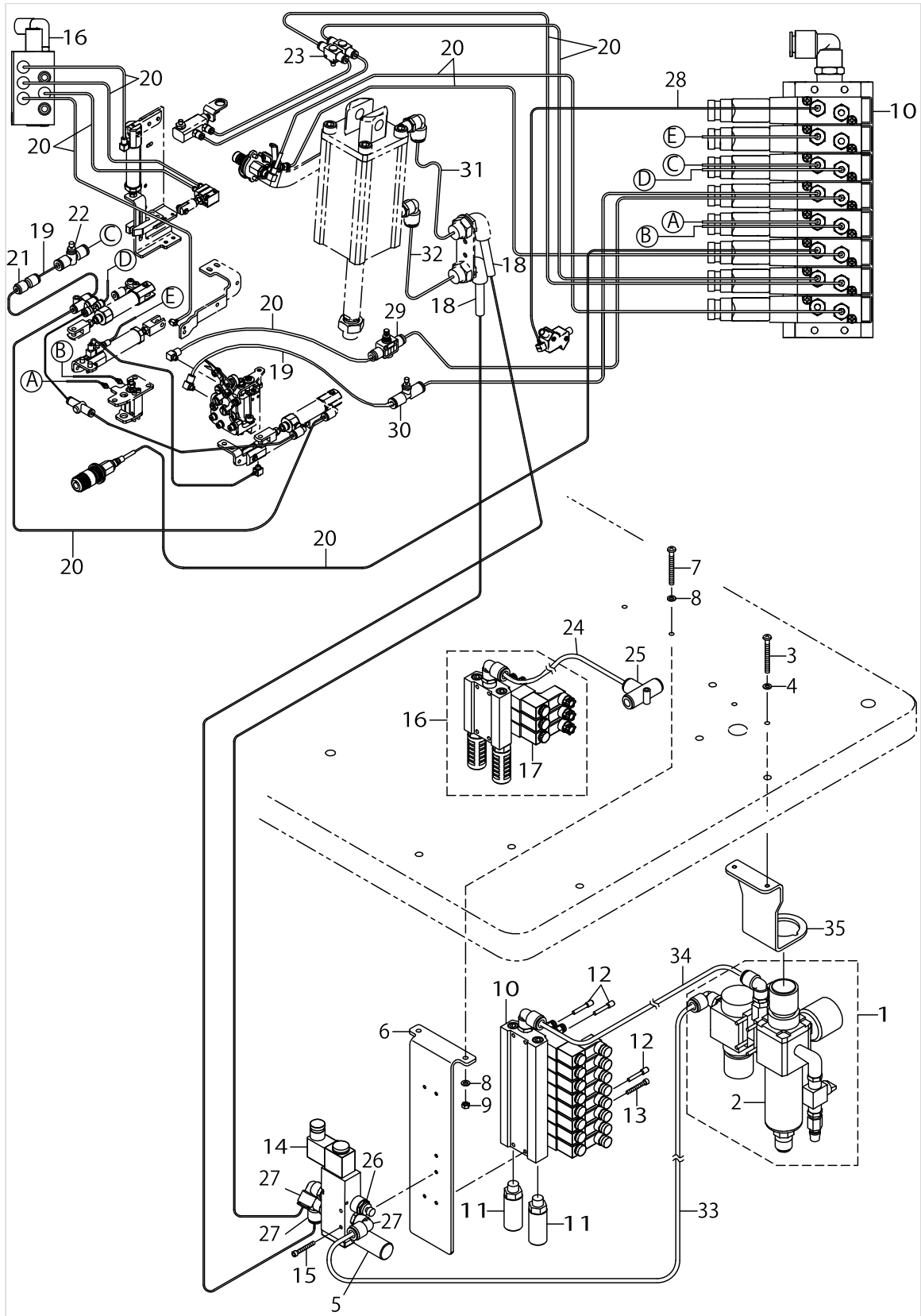
LUBRICATION MECHANISM COMPONENTS



LUBRICATION MECHANISM COMPONENTS

No.	Supply Code	Parts No.	Replacement	Parts name	Remarks	Choice	Step	Level	Cons	Qty	Rep. QTY
47		40020191		BRACKET LUBRICATION FELT A						1	
48		23630007		TUBE						1	
49		CQ200000000		OIL WICK						1	
50		23630007		TUBE						.2	
51		23630007		TUBE						.1	
52		CQ200000000		OIL WICK						.3	
53	D	22604805		FELT						1	
54		TA1250406R0		RUBBER PLUG D=12.5 L=4						1	
55		CQ200000000		OIL WICK						.5	

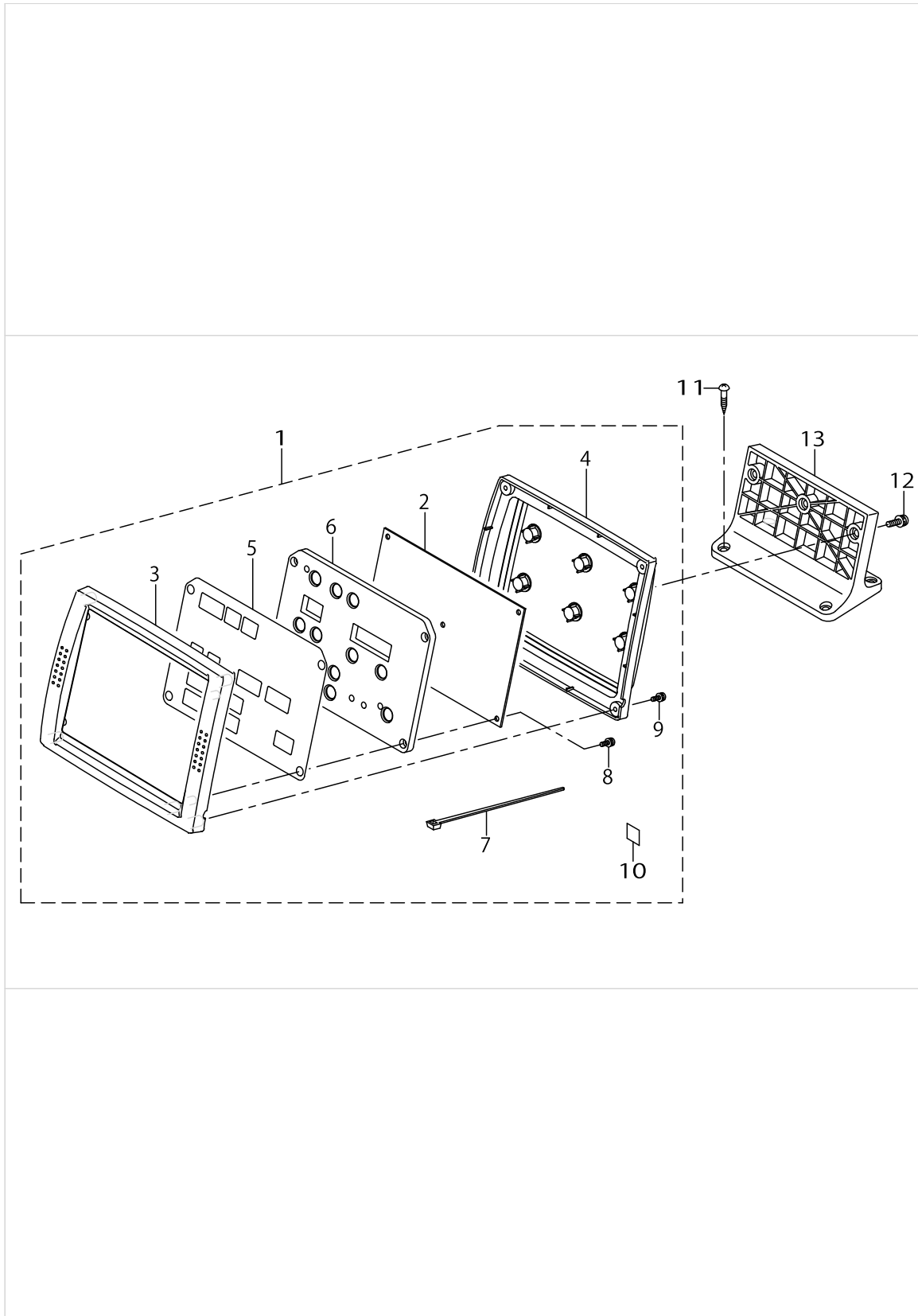
AIR COMPONENTS



AIR COMPONENTS

No.	Supply Code	Parts No.	Replacement	Parts name	Remarks	Choice	Step	Level	Cons	Qty	Rep. QTY
1		40115683		AIR COMBINATION						1	
2		40115690		FLOAT_TYPE_AUTO_DRAIN				*		1	
3		SM4055001SF		SCREW M5 L=50						2	
4		WP0531001SC		WASHER M5						2	
5		PX055202000		SILENCER						1	
6		40115684		MANIFOLD VALVE ASM BKT						1	
7		SM4055001SF		SCREW M5 L=50						2	
8		WP0531001SC		WASHER M5						4	
9		NM6050001SC		NUT M5X0.8 TYPE1						2	
10		40115685		MANIFOLD VALVE ASSY						1	
11		PX055202000		SILENCER						2	
12		PX500014000		PLUG						3	
13		SM6043002TN		SCREW						4	
14		PV155303000		5-PORT SOLENOID VALVE						1	
15		SM6043002TN		SCREW						2	
16		40145219		CLAMP MANIFOLD VALVE ASSY						1	
17		PV1551140A0		5-PORT_SOLENOID_VALVE				*		3	
18	D	BT1000651EB		POLYURETHANE TUBE						1	
19		BT0600401EB		TUBE						1	
20		BT0400251EB		URETHANE HOSE BLACK						1	
21		PJ3C3060003		DIFFERENT DIAMETER UNION						1	
22		PC012603C00		SPEED CONTROLLER						1	
23		PC012401000		SPEED CONTROLLER						2	
24		BT0600401EB		TUBE						.4	
25		PJ305100002		T-JOINT						1	
26		PF025215000		SILENCER						1	
27		PJ304105301		ELBOW UNION						3	
28		BT0600401EB		TUBE						1	
29		PC012401000		SPEED CONTROLLER						1	
30		PC012603C00		SPEED CONTROLLER						1	
31	D	BT1000651EB		POLYURETHANE TUBE						.5	
32	D	BT1000651EB		POLYURETHANE TUBE						.4	
33	D	BT1000651EB		POLYURETHANE TUBE						.3	
34	D	BT1000651EB		POLYURETHANE TUBE						.3	
35		40115682		REGULATOR BKT						1	

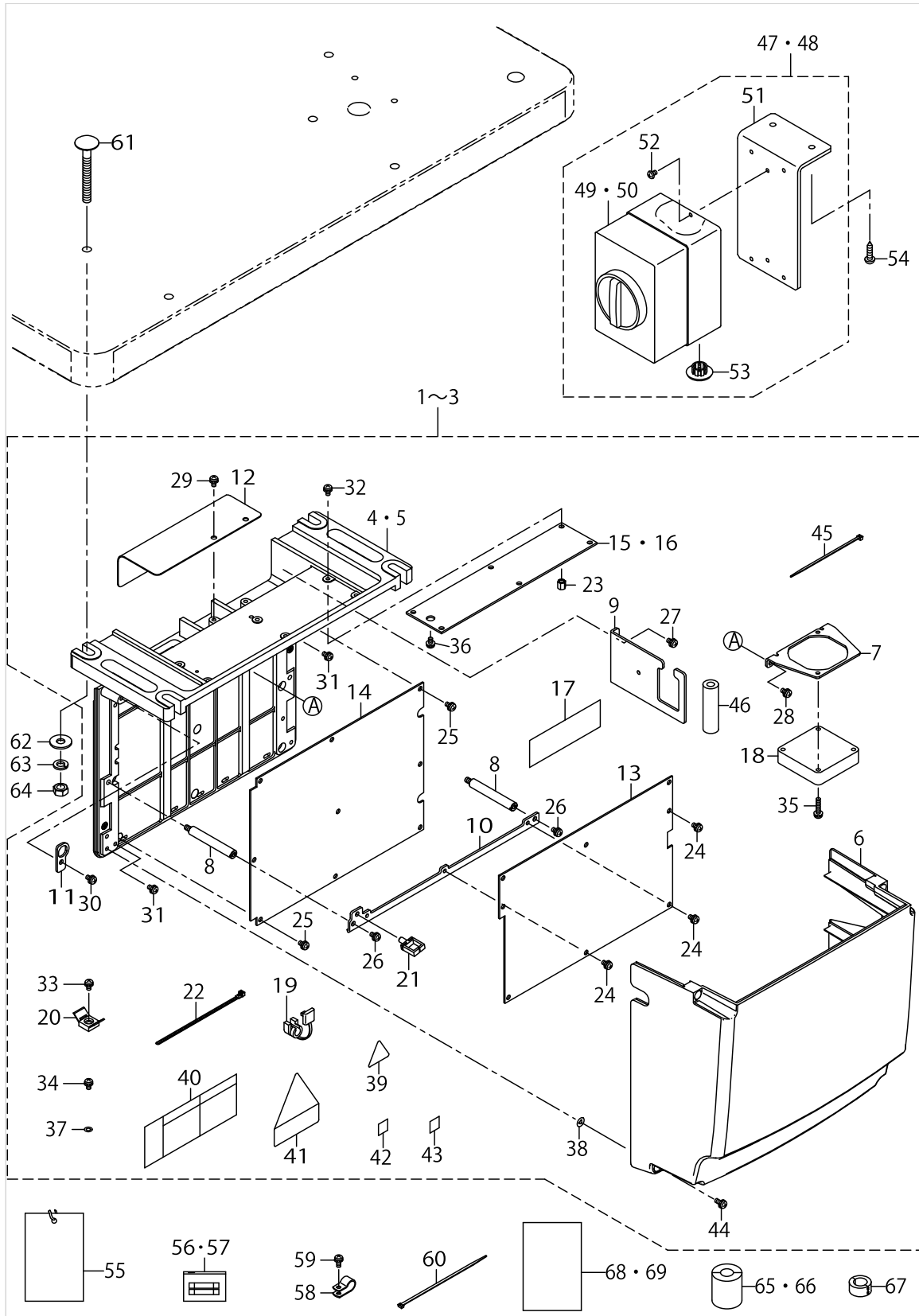
OPERATION BOX COMPONENTS



OPERATION BOX COMPONENTS

No.	Supply Code	Parts No.	Replacement	Parts name	Remarks	Choice	Step	Level	Cons	Qty	Rep. QTY
1		40108520		OPERATION BOX A ASSY						1	
2		40108521		PANEL PCB ASSY				*		1	
3		40005692		OPERATION BOX FRONT CASE				*		1	
4		40005693		OPERATION BOX REAR CASE				*		1	
5		40108529		OPERATION PANEL SHEET				*		1	
6		40108530		PANEL PCB HOLDER PLATE				*		1	
7		EA9500B0100		CABLE BAND				*		1	
8		SL4031081SC		SCREW M3X10				*		4	
9		SL4031081SC		SCREW M3X10				*		4	
10		CM600100101		WEEE MARK LABEL S				*		1	
11		SK3382001SE		SCREW D=3.8 L=20						4	
12		SL4041691SC		SCREW M4 L=16						3	
13		40005697		PANEL STAND						1	

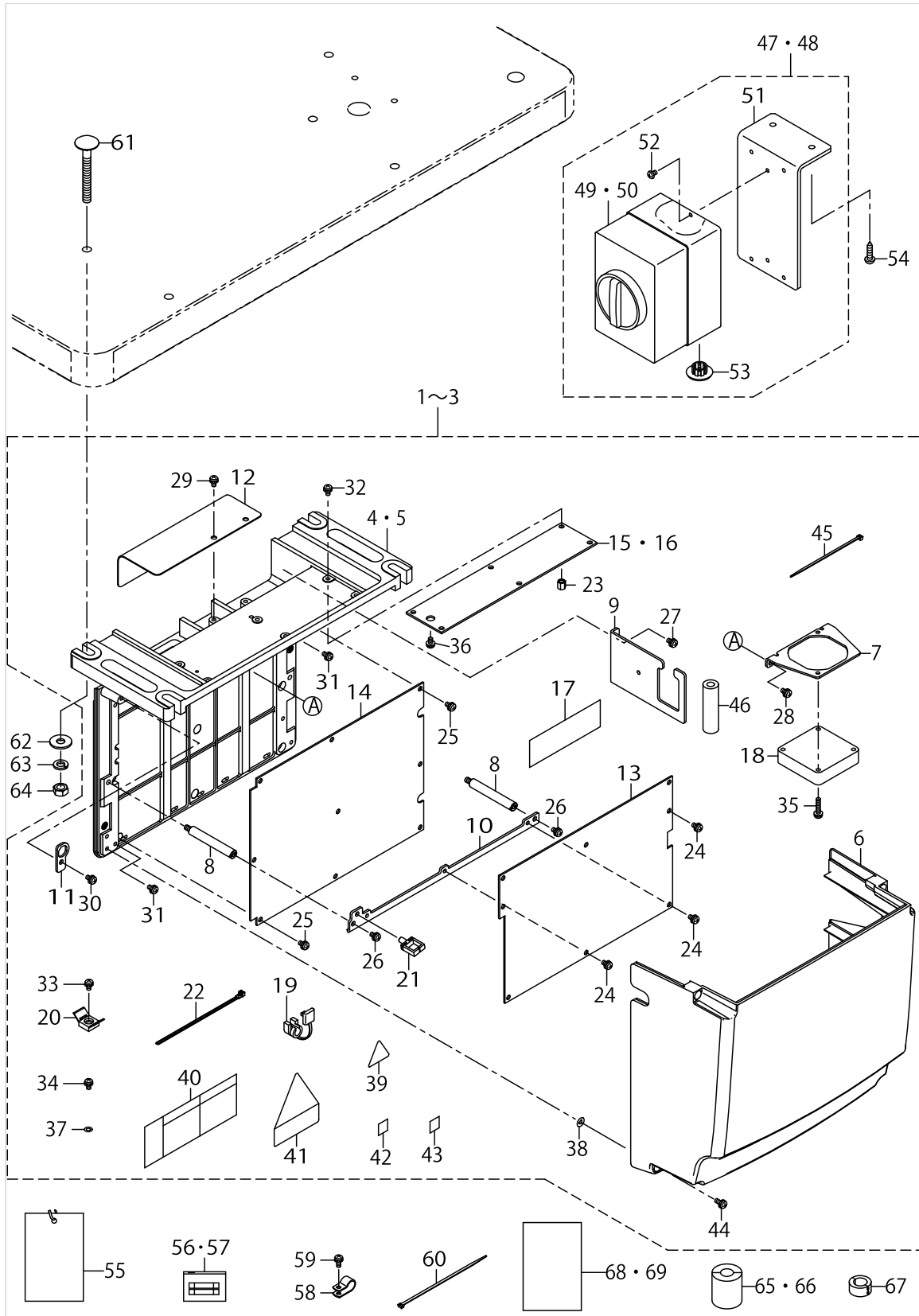
TRANSMISSION COMPONENTS



TRANSMISSION COMPONENTS

No.	Supply Code	Parts No.	Replacement	Parts name	Remarks	Choice	Step	Level	Cons	Qty	Rep. QTY
1		40151681		CTL BOX A ASM	FOR 1-PH-ASE 220~240V					1	
2		40151682		CTL BOX B ASM	FOR 3-PH-ASE 200~240V					1	
3		40151683		CTL BOX C ASM	FOR 1-PH-ASE CE 220~240V					1	
4		40143988		FRAME_A	FOR 1-PH-ASE 220~240V			*		1	
5		40143989		FRAME_B	FOR 3-PH-ASE 200~240V, 1-P-HASE CE 220~240V			*		1	
6		40114136		COVER				*		1	
7		40115874		FAN_PLATE				*		1	
8		40143990		STUD				*		2	
9		40115876		PLATE_B				*		1	
10		40115877		MAIN_PLATE				*		1	
11		40115878		PLATE_C				*		1	
12		40115879		FAN_COVER				*		1	
13		40145070		MAIN PCB ASSY				*		1	
14		40145088		SDC PCB ASSY				*		1	
15		40105465		FLT-T PCB ASSY	FOR 3-PH-ASE 200~240V			*		1	
16	R	40105475	40145901	FLT-CE PCB ASSY	FOR 1-PH-ASE CE 220~240V			*		1	1.00
17		40114398		MAIN COOL SHEET				*		2	
18		40111214		FAN MOTOR ASSY				*		1	
19		KX000000320		BUSH				*		1	
20		KX000000260		SADDLE TYPE TIE MOUNT				*		1	
21		HX00222000D		WIRE SADDLE				*		1	
22		HX00292000A		CABLE BAND				*		1	
23		HX00339000M		SPACER	FOR 3-PH-ASE 200~240V, 1-P-HASE CE 220~240V			*		6	
24		SL4040881SC		SCREW M4 L=8				*		8	
25		SL4040881SC		SCREW M4 L=8				*		4	
26		SL4040881SC		SCREW M4 L=8				*		2	
27		SL4040881SC		SCREW M4 L=8				*		2	
28		SL4040881SC		SCREW M4 L=8				*		2	
29		SL4040881SC		SCREW M4 L=8				*		2	
30		SL4040881SC		SCREW M4 L=8				*		1	
31		SL4040881SC		SCREW M4 L=8				*		3	
32		SL4040881SC		SCREW M4 L=8	FOR 3-PH-ASE 200~240V, 1-P-HASE CE 220~240V			*		6	
33		SL4040881SC		SCREW M4 L=8				*		1	
34		SL4040881SC		SCREW M4 L=8	FOR 3-PH-ASE 200~240V, 1-P-HASE CE 220~240V			*		1	
35		SL4042091SC		SCREW M4 L=20				*		2	

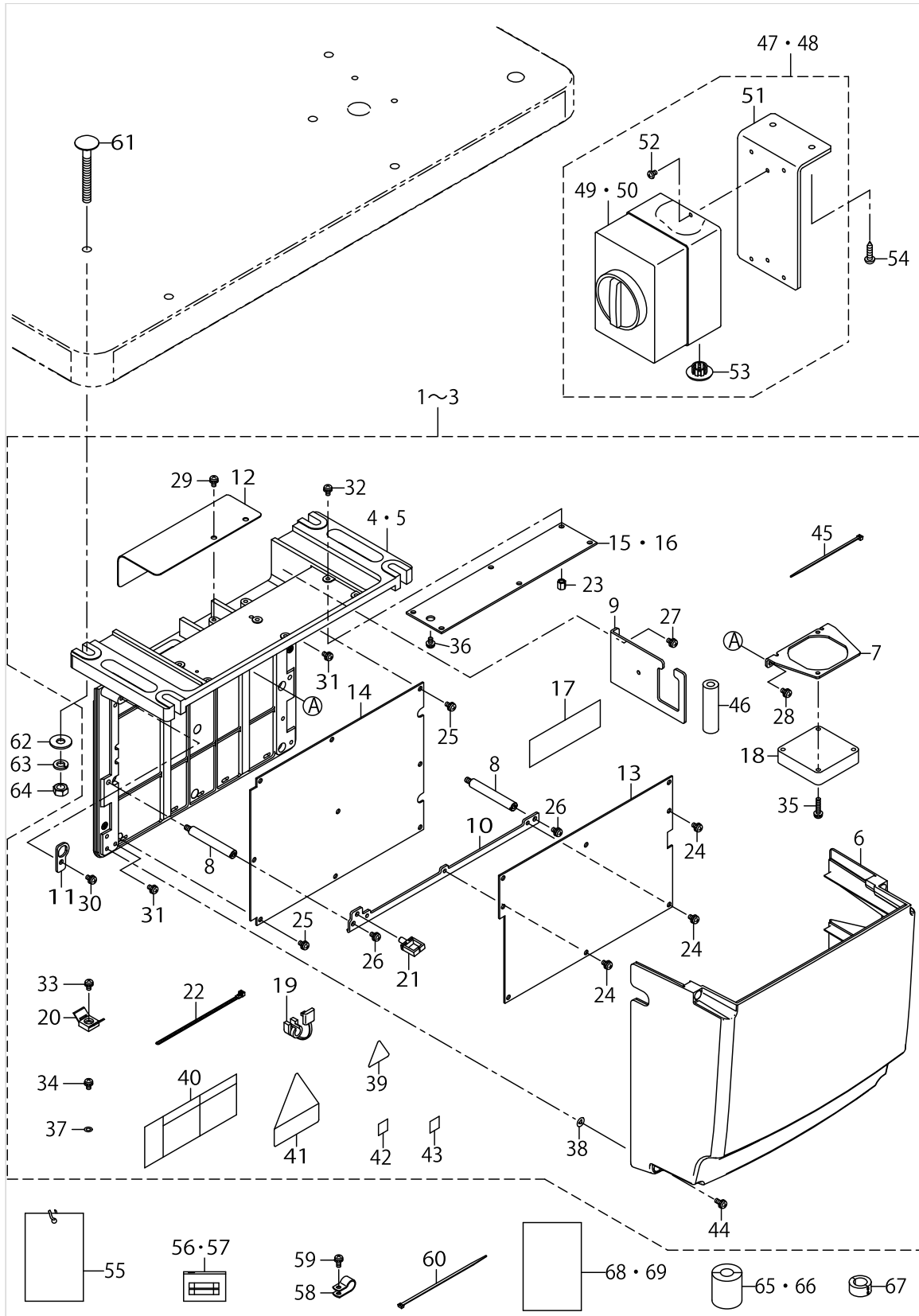
TRANSMISSION COMPONENTS



TRANSMISSION COMPONENTS

No.	Supply Code	Parts No.	Replacement	Parts name	Remarks	Choice	Step	Level	Cons	Qty	Rep. QTY
36		SL4030881SC		SCREW M3 L=8	FOR 3-PHASE 200~240V			*		1	
37		WP0430800SC		WASHER M4	FOR 3-PHASE 200~240V, 1-PHASE CE 220~240V			*		1	
38		M8002430000		STOPPER				*		4	
39		CM300100001		VOLTAGE WARNING LABEL (31.5)	FOR 1-PHASE 220~240V, 1-PHASE CE 220~240V, 1-PHASE 220~240V (FOR CHINA)			*		1	
40		CM300100402		VOLTAGE DANGER LABEL 3 (SMALL)	FOR 3-PHASE 200~240V			*		1	
41		CM300400602		VOLTAGE CAUTION LABEL L=25				*		1	
42		CM600100101		WEEE MARK LABEL S	FOR 1-PHASE CE 220~240V			*		1	
43		40150131		EAC_MARK_LABEL_S	FOR 1-PHASE CE 220~240V			*		1	
44		SL4041281SC		SCREW M4 L=12				*		4	
45		EA9500B0100		CABLE BAND				*		1	
46	D	E8760452S00		TUBE	FOR 3-PHASE 200~240V, 1-PHASE CE 220~240V			*		0.055	
47		40081602		POWER SWITCH ASM	FOR 1-PHASE 220~240V, 3-PHASE 200~240V, 1-PHASE CE 220~240V					1	
48		40113451		POWER SWITCH C ASM	FOR 1-PHASE 220~240V (FOR CHINA)					1	
49		HA005820000		SWITCH	FOR 1-PHASE 220~240V, 3-PHASE 200~240V, 1-PHASE CE 220~240V			*		1	
50		HA006420000		SWITCH	FOR 1-PHASE 220~240V (FOR CHINA)			*		1	
51		40081603		SWITCH INSTALLATION BOARD				*		1	
52		SL4041091SE		SCREW M4 L=10				*		2	
53		HX006850000		GROMMET	FOR 1-PHASE 220~240V (FOR CHINA)			*		2	
54		SK3512001SE		WOOD SCREW D=5.1 L=20						2	
55		M300451100A		VOLTAGE INDICATION CARD						1	
56		HF0013050P0		SLO-BLO FUSE						1	
57		HF003000200		FUSE						1	
58		HX00150000D		CABLE CLAMP						2	
59		SL4041091SC		SCREW M4 L=10						2	
60		EA9500B0200		CABLE BAND						2	
61		MTSHJ100003		MOTOR FITTING BOLT L=70						4	
62		WP0852086SC		WASHER M8						4	

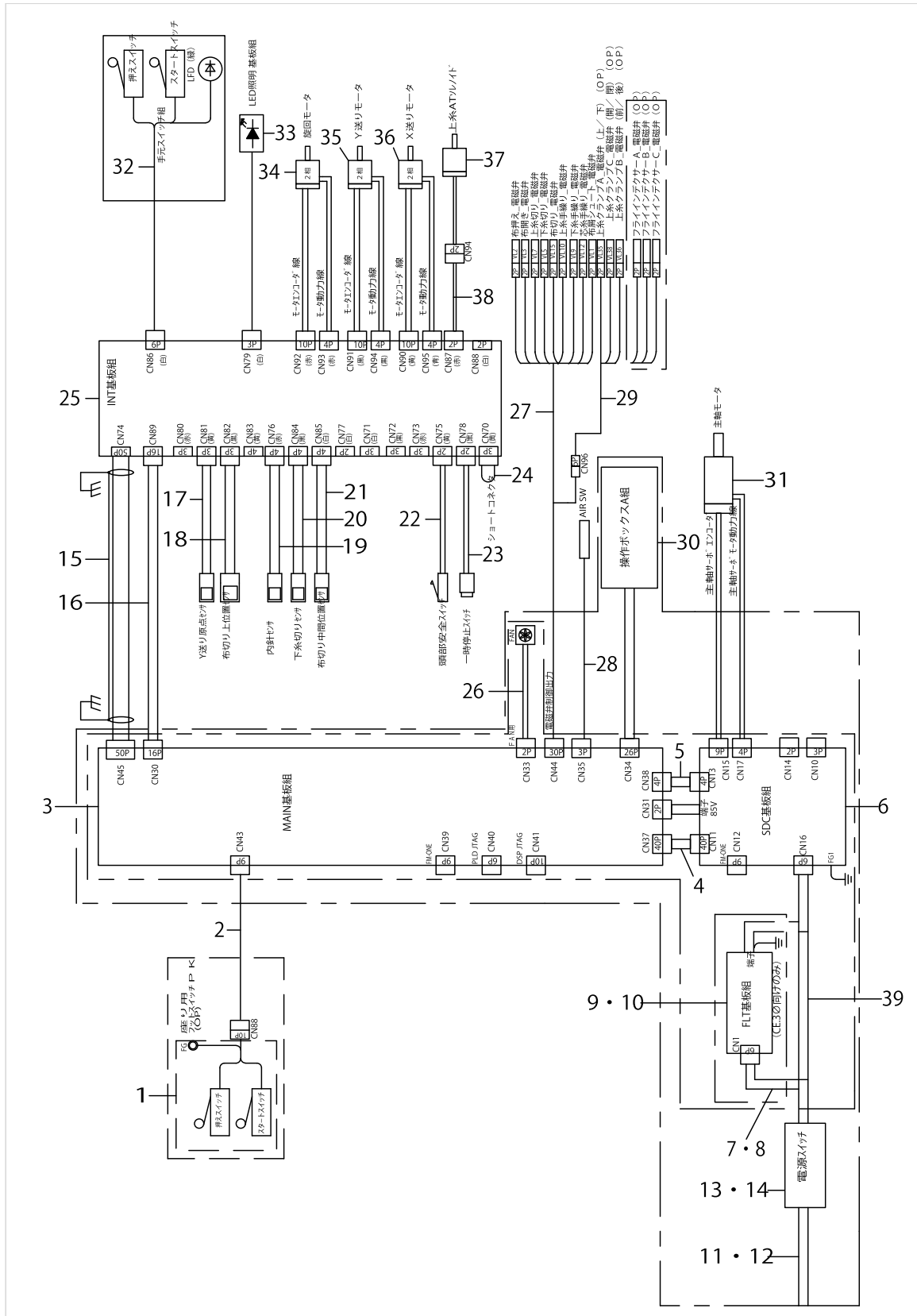
TRANSMISSION COMPONENTS



TRANSMISSION COMPONENTS

No.	Supply Code	Parts No.	Replacement	Parts name	Remarks	Choice	Step	Level	Cons	Qty	Rep. QTY
63		WS0820002KR		SPRING WASHER						4	
64		NM6080002SC		NUT M8X1.25 TYPE2						4	
65		HN001490000		CORES	FOR 1-PH-ASE CE 220~240V					1	
66		HN002110000		CORSE	FOR 1-PH-ASE CE 220~240V					1	
67		HN002460000		CORES	FOR 1-PH-ASE CE 220~240V					3	
68		40151687		DECLARATION OF INCORPORATION (MC622)	FOR 1-PH-ASE CE 220~240V					1	
69		40126054		CORE SET UP MANUAL	FOR 1-PH-ASE CE 220~240V					1	

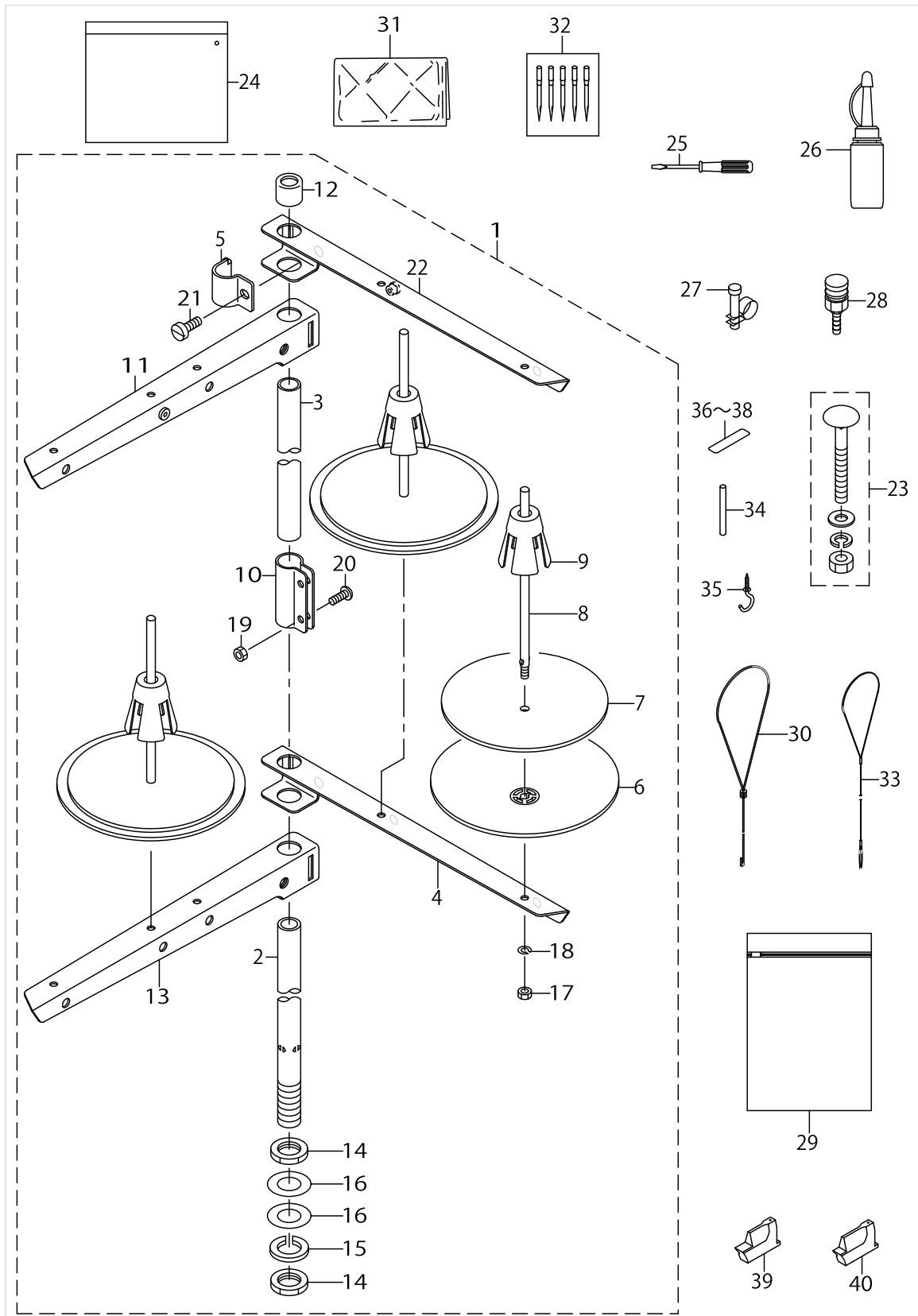
WIRING DIAGRAM



WIRING DIAGRAM

No.	Supply Code	Parts No.	Replacement	Parts name	Remarks	Choice	Step	Level	Cons	Qty	Rep. QTY
1		40033831		PK78 PEDAL SWITCH ASM						1	
2		40114433		FSW RELAY CABLE ASM						1	
3		40145070		MAIN PCB ASM						1	
4		40114375		SDC-MAIN S CORD ASM						1	
5		40114373		SDC-MAIN P1 CORD ASM						1	
6		40145088		SDC PCB ASM						1	
7		40114371		AC POWER CORD B ASM	FOR 3-PH-ASE 200~240V					1	
8		40043974		AC POWER CORD B ASM	FOR 1-PH-ASE CE 200~240V					1	
9		40105465		FLT-T PCB ASSY	FOR 3-PH-ASE 200~240V					1	
10	R	40105475	40145901	FLT-CE PCB ASSY	FOR 1-PH-ASE CE 200~240V					1	1.00
11		40086469		POWER CABLE 3P ASSY	FOR 3-PH-ASE 200~240V					1	
12		40086470		POWER CABLE 1P ASSY	FOR 1-PH-ASE 220~240V					1	
13		40081602		POWER SWITCH ASM						1	
14		40113451		POWER SWITCH C ASM	FOR 1-PH-ASE 220~-240V (FOR CHINA)					1	
15		40145057		INT CABLE ASM						1	
16		40114443		MAIN-INT CORD A ASSY						1	
17		40114421		Y SENSOR ASM						1	
18		40114422		CU SENSOR ASM						1	
19		40114424		IN SENSOR ASM						1	
20		40149100		LT SENSOR ASM						1	
21		40114426		CMPOSSENSORASM						1	
22		32002255		SWITCH ASM						1	
23		40114427		SWITCH ASM						1	
24		40114389		SHORT CONNECTOR ASM						1	
25		40145055		INT PCB ASM						1	
26		40111214		FAN MOTOR ASSY						1	
27		40149101		AIR SOLENOID VALVE CORD ASM						1	
28		40115683		AIR_COMBINATION						1	
29		40149102		OP AIR VALVE CABLE ASM	OPTIONAL PARTS					1	
30		40108520		OPERATION BOX A ASSY						1	
31		40114444		AC SERVO MOTOR						1	
32		40115136		START_SWITCH_ASM						1	
33		40114380		LED PCB ASSY						1	
34		40149098		REVOLUTIONMOTOR						1	
35		40149097		Y FEED MOTOR						1	
36		40149096		X FEED MOTOR						1	
37		32054900		AT (UPPER)						1	
38		40114442		SOLENOID RELAY CABLE ASM						1	
39		40114370		AC POWER CORD A ASM	FOR 1-PH-ASE 220~240V					1	

ACCESSORY PARTS COMPONENTS



ACCESSORY PARTS COMPONENTS

No.	Supply Code	Parts No.	Replacement	Parts name	Remarks	Choice	Step	Level	Cons	Qty	Rep. QTY
1		13850052		THREAD STANDING DEVICE ASM.						1	
2	R	22930309	40096354	SPOOL REST ROD LOWER				*		1	1.00
3	R	22930408	40096354	SPOOL REST ROD UPPER				*		1	1.00
4	R	22930507	40096354	SPOOL REST ARM				*		1	1.00
5	R	22930705	40096354	THREAD GUIDE ARM JOINT				*		4	1.00
6		22930804		SPOOL REST				*		3	
7		22930903		SPOOL REST CUSHION				*		3	
8	R	22931000	40085790	SPOOL PIN				*		3	1.00
9	R	22931109	40085791	SPOOL RETAINER				*		3	1.00
10	R	22931307	40096354	SPOOL REST ROD JOINT				*		1	1.00
11		13168950		THREAD STANDING ARM A ASM.				*		1	
12		22931406		SPOOL REST ROD RUBBER CAP				*		1	
13		13168901		THREAD STANDING ARM A				*		1	
14		NM6160511SE		NUT M16X1.5				*		2	
15	R	WS1643202KR	WP1612616SE	SPRING WASHER		A		*		1	2.00
15	R	WS1643202KR	40085796	SPRING WASHER		A		*		1	2.00
16		WP1612616SE		WASHER 16X30X2.6				*		2	
17		NM6050001SE		NUT M5				*		3	
18		WS0510002KN		SPRING WASHER M5				*		3	
19		NM6050001SE		NUT M5				*		2	
20		SM4051405SE		SCREW M5 L=14				*		2	
21		SM6061610SC		SCREW M6 L=16				*		4	
22	R	22930556	40096354	THREAD STANDING ARM ASM.				*		1	1.00
23		MTJMS00000S		SCREW SET						4	
24		22932800		ACCESSORIE BAG						1	
25		22933204		SCREW DRIVER SMALL						1	
26		B91212200A0		OILER (CONTAINING NO.2 OIL)						1	
27		PB000010000		HOSE BAND						1	
28		PJ309520001		SOCKET						1	
29		40139091		DUST_BAG						1	
30		14058002		THREADER						1	
31		26234005		VINYL COVER						1	
32	R	MC185801102	MC185801100	NEEDLE SCHMETZ 558 NM110-2					☆	1	1.00
33		40115727		THREADER						1	
34		PH0400402C0		PARALLEL PIN						2	
35		D2113555B00		CORD SET HOOK B						1	
36		40115638		SPACER 01						1	
37		40115639		SPACER 02						1	
38		40115640		SPACER 03						1	
39		40115668		HAMMER 22MM EYELET H	TYPE C				☆	1	
40		40115669		HAMMER 26MM EYELET H	TYPE J				☆	1	

TABLE COMPONENTS

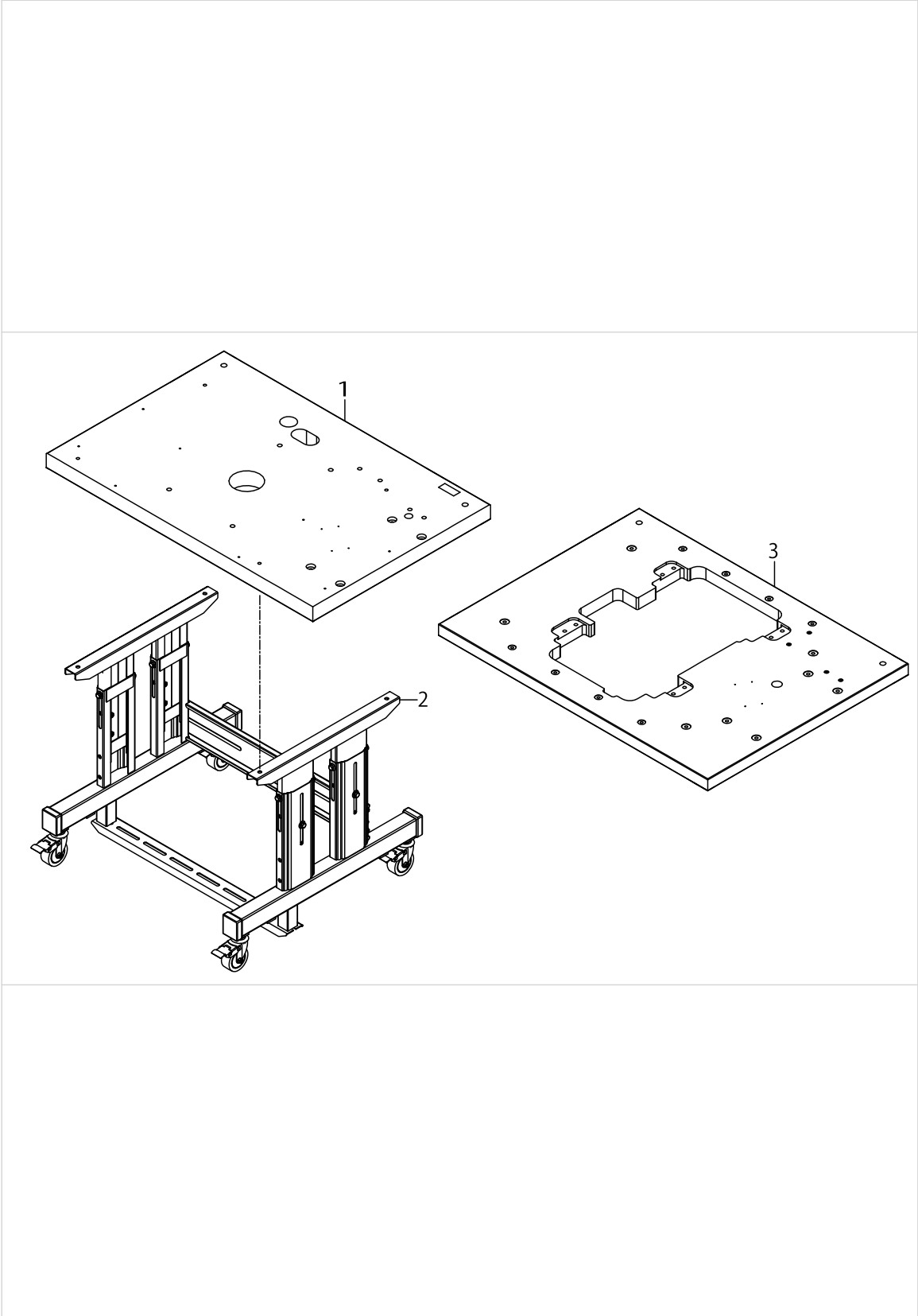
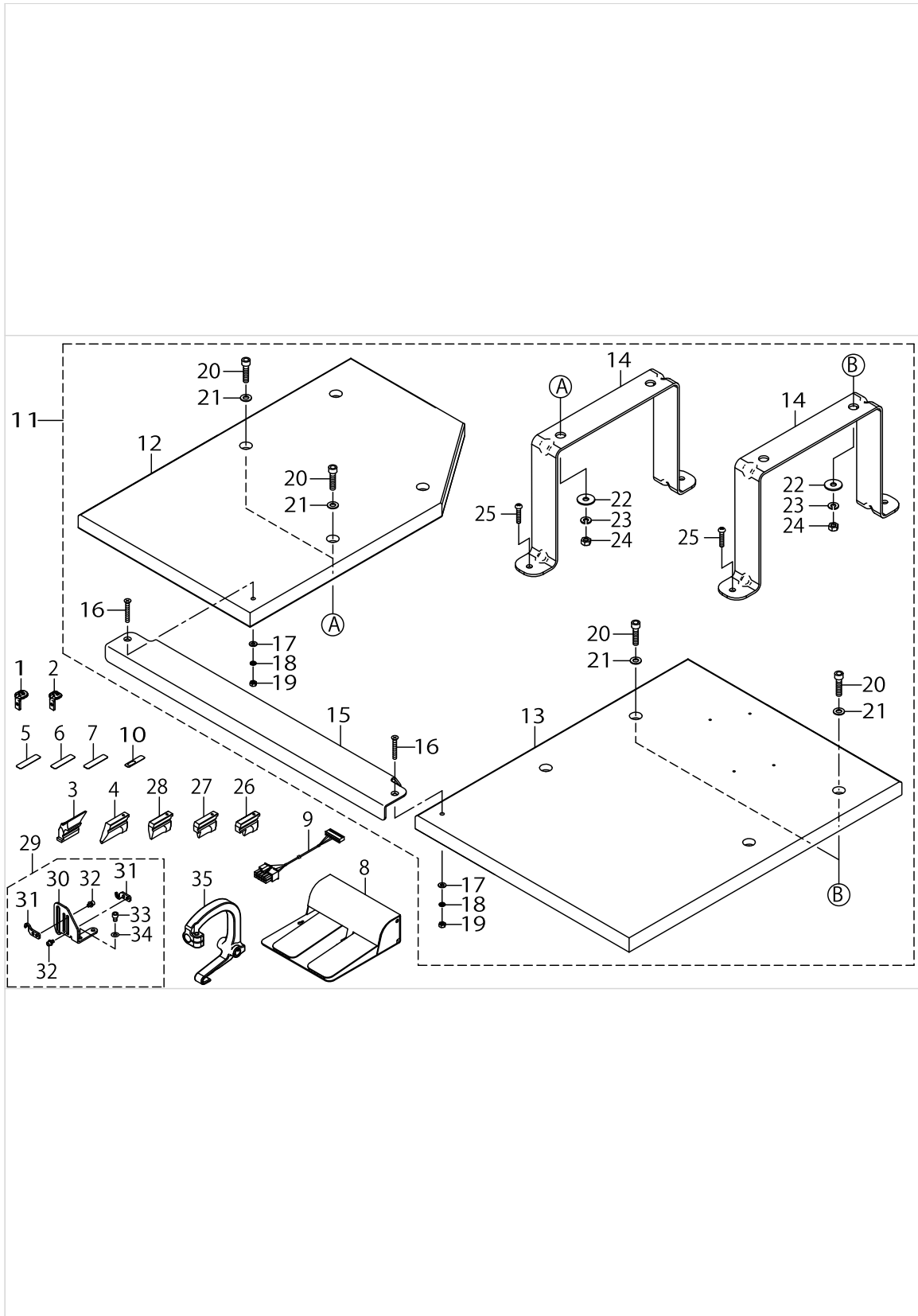


TABLE COMPONENTS

No.	Supply Code	Parts No.	Replacement	Parts name	Remarks	Choice	Step	Level	Cons	Qty	Rep. QTY
1		40132272		TABLE ASM	FOR DESK TOP					1	
2		40126322		STAND ASM.						1	
3		40157825		SEMI-SUNKEN TABLE ASM.	FOR SEMI-SUNKEN					1	

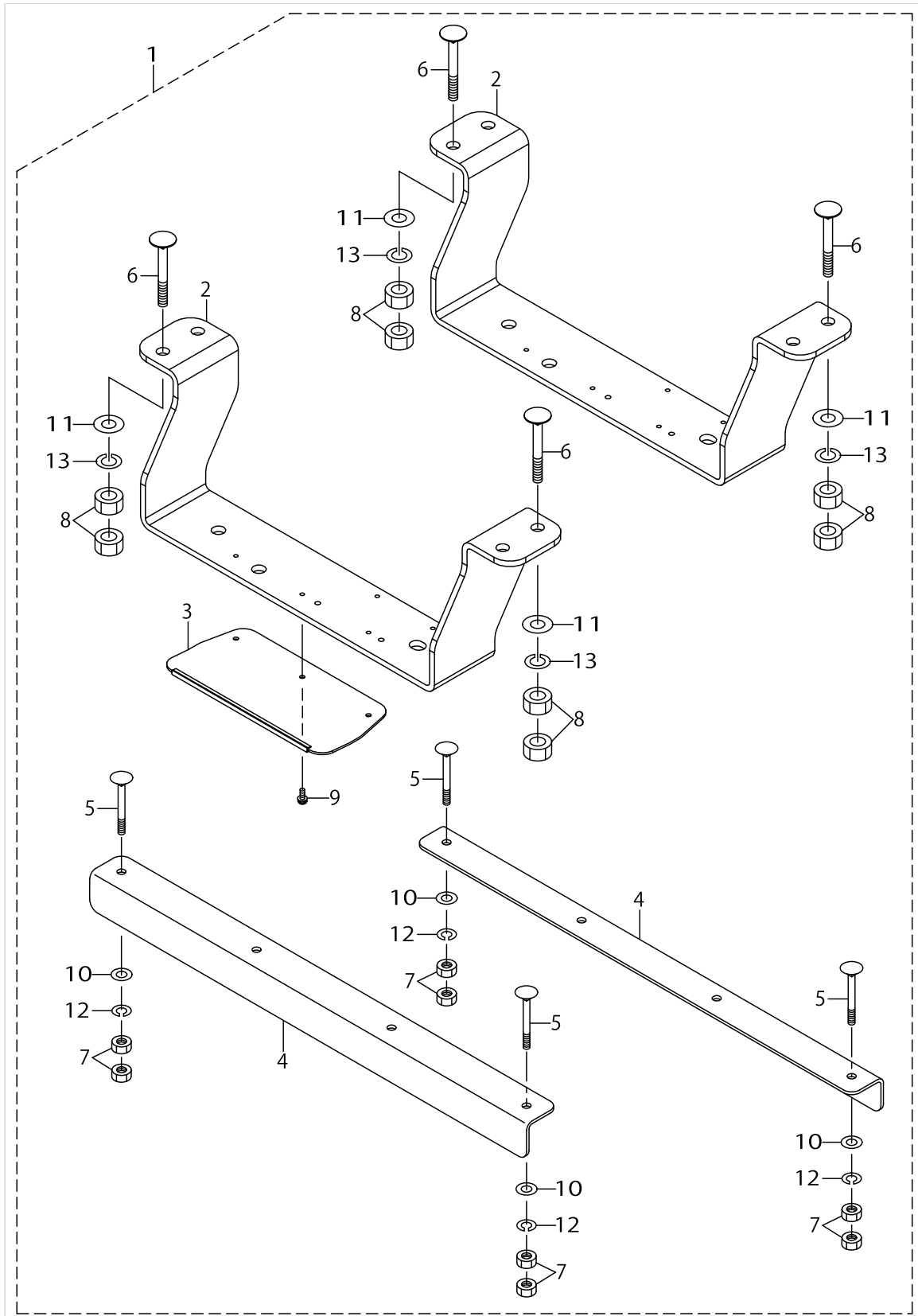
OPTION COMPONENTS (1)



OPTION COMPONENTS (1)

No.	Supply Code	Parts No.	Replacement	Parts name	Remarks	Choice	Step	Level	Cons	Qty	Rep. QTY
1		40115403		NEEDLE PLATE A00					☆	1	
2		40115404		NEEDLE PLATE A01					☆	1	
3		40115665		KNIFE 38MM					☆	1	
4		40115670		HAMMER 38MM EYELET H					☆	1	
5		40115638		SPACER 01						1	
6		40115639		SPACER 02						1	
7		40115640		SPACER 03						1	
8		40033831		PK78 PEDAL SWITCH ASM						1	
9		40114433		FSW RELAY CABLE ASM						1	
10		40115728		SPACER 02 (KNIFE)						1	
11		40115994		PH=SUB TABLE ASM	FOR DESK TOP					1	
12		40126870		SUB_TABLE_L	FOR DESK TOP			*		1	
13		40126871		SUB_TABLE_R	FOR DESK TOP			*		1	
14		40126872		SUB_TABLE_BRACKET	FOR DESK TOP			*		4	
15		40126873		SUB_TABLE_BEAM	FOR DESK TOP			*		1	
16		SM1043001SP		SCREW M4X0.7 L=30	FOR DESK TOP			*		2	
17		WP0430801SC		WASHER M4	FOR DESK TOP			*		2	
18		WS0410002KN		SPRING WASHER M4	FOR DESK TOP			*		2	
19		NM6040001SC		NUT M4X0.7 TYPE1	FOR DESK TOP			*		2	
20		SM6062502TN		SCREW	FOR DESK TOP			*		8	
21		WP0651001SC		WASHER	FOR DESK TOP			*		8	
22		WP0651646SC		WASHER	FOR DESK TOP			*		8	
23		WS0610002KN		SPRING WASHER M6	FOR DESK TOP			*		8	
24		NM6060001SC		NUT M6X1 TYPE1	FOR DESK TOP			*		8	
25		SK3582501SE		WOOD SCREW D=5.8 L=25	FOR DESK TOP			*		8	
26		40122565		HAMMER_18MM_EYELET_H					☆	1	
27		40122566		HAMMER_24MM_EYELET_H					☆	1	
28		40122567		HAMMER_28MM_EYELET_H					☆	1	
29		40146876		BALANS_THREAD_GUIDE_ASM						1	
30		40146877		BALANS_THREAD_GUIDE_BASE				*		1	
31		40146878		BALANS_THREAD_GUIDE				*		2	
32		SL6030692TN		SCREW M3 L=6				*		2	
33		SM6040602TN		BOLT				*		2	
34		WP0430801SC		WASHER M4				*		2	
35		40132257		PRESSER ARM BASE RH						1	

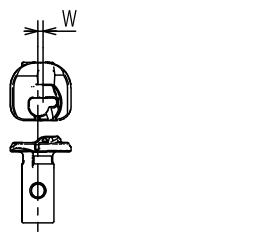
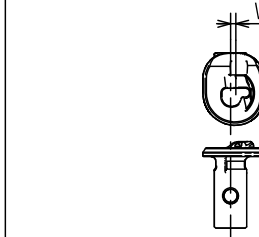
OPTION COMPONENTS (2)(FOR SEMI-SUNKEN)



OPTION COMPONENTS (2)(FOR SEMI-SUNKEN)

No.	Supply Code	Parts No.	Replacement	Parts name	Remarks	Choice	Step	Level	Cons	Qty	Rep. QTY
1		40155596		SEMI SUNKEN KIT						1	
2		40150638		BOTTOM_COVER_STAY				*		2	
3		40157827		TRAY_ASM				*		1	
4		32080707		TABLE REINFORCEMENT PLATE				*		2	
5		MAO11108N00		PEDAL SWITCH FRAME BOLT				*		8	
6		MTSHJ100003		MOTOR FITTING BOLT L=70				*		8	
7		NM6060001SC		NUT M6X1 TYPE1				*		16	
8		NM6080001SC		NUT M8X1.25 TYPE1				*		16	
9		SL4041291SC		SCREW M4 L=12				*		3	
10		WP0641601SC		WASHER M6				*		8	
11		WP0852086SC		WASHER M8				*		8	
12		WS0610002KN		SPRING WASHER M6				*		8	
13		WS0820002KN		SPRING WASHER M8				*		8	

TABLE OF EXCHANGING GAUGE PARTS (1)

Throat plate 針板				
Name of part 品名	A01 (for narrow needle throwing width) (細振幅用)	B01 (for wide needle throwing width) (広振幅用)	A00 (for narrow needle throwing width) (細振幅用)	B00 (for wide needle throwing width) (広振幅用)
Applicable needle throwing width 適用かがり幅	2.0~3.2mm	2.0~4.0mm	2.0~3.2mm	2.0~4.0mm
Needle size 針番手	#90~#110			
Gimp position W 芯糸位置W	1.8			
Shape 形状				
Ref.No.	1	2	3	4
Part No.	40115404	40115406	40115403	40115405
Type 仕様	For J01 and C01 types Option J01, C01仕様用 オプション	For J01 and C01 types Standard J01, C01仕様用 標準	For J00 and C00 types Option J00, C00仕様用 オプション	For J00 and C00 types Standard J00, C00仕様用 標準

Presser set
押え足

The mark in () parentheses shows the
standard equipment for each type.
()内の記号は、各仕様の標準装備品です。








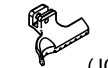


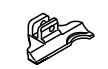





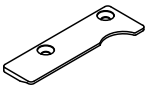
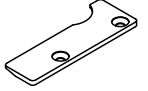
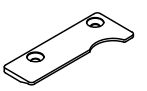

Presser set(left) 押え足左	Name of part 品名	Compensating foot for eyelet buttonhole 34mm はと目穴用段押え 34mm	Compensating foot for eyelet buttonhole 38mm はと目穴用段押え 38mm	Edge presser for eyelet hole 34mm はと目穴用際押え 34mm	Edge presser for eyelet hole 38mm はと目穴用際押え 38mm
	Shape 形状				
	Ref.No.	5	6	7	8
	Part No.	40115325	40115309	40115241	40115239
Presser set(right) 押え足右	Name of part 品名	Compensating foot for eyelet buttonhole 34mm はと目穴用段押え 34mm	Compensating foot for eyelet buttonhole 38mm はと目穴用段押え 38mm	Edge presser for eyelet hole 34mm はと目穴用際押え 34mm	Edge presser for eyelet hole 38mm はと目穴用際押え 38mm
	Shape 形状				
	Ref.No.	9	10	11	12
	Part No.	40115324	40115316	40115240	40115238
Presser set(left) 押え足左	Name of part 品名	Edge presser for eyelet hole 32mm はと目穴用際押え 32mm	Edge presser for eyelet hole 22mm はと目穴用際押え 22mm	For eyelet buttonhole 32mm はと目穴用 32mm	For eyelet buttonhole 22mm はと目穴用 22mm
	Shape 形状				
	Ref.No.	13	14	15	16
	Part No.	40035239	40039844	14059604	14059802
Presser set(right) 押え足右	Name of part 品名	Edge presser for eyelet hole 32mm はと目穴用際押え 32mm	Edge presser for eyelet hole 22mm はと目穴用際押え 22mm	For eyelet buttonhole 32mm はと目穴用 32mm	For eyelet buttonhole 22mm はと目穴用 22mm
	Shape 形状				
	Ref.No.	17	18	19	20
	Part No.	40035238	40039843	14059505	14059703

TABLE OF EXCHANGING GAUGE PARTS (1)

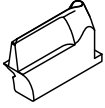
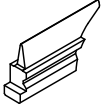
No.	Supply Code	Parts No.	Replacement	Parts name	Remarks	Choice	Step	Level	Cons	Qty	Rep. QTY
1		40115404		NEEDLE PLATE A01						1	
2		40115406		NEEDLE PLATE B01						1	
3		40115403		NEEDLE PLATE A00						1	
4		40115405		NEEDLE PLATE B00						1	
5		40115325		PRESSER FOOT L_34						1	
6		40115309		PRESSER FOOT L						1	
7		40115241		PRESSER FOOT L_34						1	
8		40115239		PRESSER FOOT L_38						1	
9		40115324		PRESSER FOOT R_34						1	
10		40115316		PRESSER FOOT R						1	
11		40115240		PRESSER FOOT R_34						1	
12		40115238		PRESSER FOOT R_38						1	
13		40035239		PRESSER FOOT LEFT W (M)						1	
14		40039844		PRESSER FOOT LEFT W (S)						1	
15		14059604		PRESSER FOOT LEFT 32MM						1	
16		14059802		PRESSER FOOT LEFT 22MM						1	
17		40035238		PRESSER FOOT RIGHT W (M)						1	
18		40039843		PRESSER FOOT RIGHT W (S)						1	
19		14059505		PRESSER FOOT RIGHT 32MM						1	
20		14059703		PRESSER FOOT RIGHT 22MM						1	

TABLE OF EXCHANGING GAUGE PARTS (2)

Presser holding plate
押え受け板

Name of part 品名	Eyelet buttonhole presser holding plate, left はと目押え受板左	Eyelet buttonhole presser holding plate, right はと目押え受板右	Eyelet buttonhole presser holding plate, left はと目押え受板左	Eyelet buttonhole presser holding plate, right はと目押え受板右
Shape of hole 穴形状	はと目穴		はと目穴	
Stitch length 縫い長さ	10~34		10~38	
Shape 形状				
Ref.No.	1	2	3	4
Part No.	40115322	40115323	32027104	32027005
Type 仕様	For J01 and C01 types J 01, C 01仕様用		For J00 and C00 types J 00, C 00仕様用	

Cloth cutting knife
布切りメス

Name of part 品名	For eyelet buttonhole はと目穴用	For decorative buttonhole 眠り穴用					
Shape 形状							
	Ref.No.	Part No.	X	Y	L	Remarks 備考	
Eyelet buttonhole はと目穴	Provided as standard 標準装備	5	40115664	2.8	4.3	26	
	Only for the sewing machine provided with the needle thread trimmer 針糸切り仕様のみ	6	40115665	2.9	4.4	38	
		7	32063604	2.9	4.4	24	Optional spacer is used オプションスペーサ使用
		8	32063703	2.9	4.4	32	
	Only for the sewing machine provided with the needle thread trimmer 針糸切り仕様のみ	9	32063802	2.1	3.2	38	
		10	32063901	2.1	3.2	24	
		11	32064008	2.1	3.2	32	
		12	32064107	3.2	5.4	38	
		13	32064206	3.2	5.4	24	
		14	32064305	3.2	5.4	32	
Only for the sewing machine provided with the needle thread trimmer 針糸切り仕様のみ	15	32066904	2.7	5.1	38		
Decorative buttonhole 眠り穴		16	14041404	0	0	38	
		17	32065302	0	0	24	
		18	32065401	0	0	32	


Optional spacer オプションスペーサ	
	
Ref.No.	Part No.
19	40115728

TABLE OF EXCHANGING GAUGE PARTS (2)

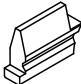
No.	Supply Code	Parts No.	Replacement	Parts name	Remarks	Choice	Step	Level	Cons	Qty	Rep. QTY
1		40115322		HOLDING PLATE PIGHT						1	
2		40115323		HOLDINGPLATELEFT						1	
3		32027104		HOLDING PLATE LEFTT						1	
4		32027005		HOLDING PLATE RIGHT						1	
5		40115664		KNIFE						1	
6		40115665		KNIFE 38MM						1	
7		32063604		CUTTING KNIFE (EYLET) S						1	
8		32063703		CUTTING KNIFE (EYELET) M						1	
9		32063802		CUTTING KNIFE (EYELET) 1						1	
10		32063901		CUTTING KNIFE (EYELET) 1S						1	
11		32064008		CUTTING KNIFE (EYELET) 1M						1	
12		32064107		CUTTING KNIFE (EYELET) 5						1	
13		32064206		CUTTING KNIFE (EYELET) 5S						1	
14		32064305		CUTTING KNIFE (EYELET) 5M						1	
15		32066904		CUTTING KNIFE (EYELET) 6						1	
16		14041404		CUTTING KNIFE (DECORATIVE)						1	
17		32065302		CUTTING KNIFE (DECORATIVE) S						1	
18		32065401		CUTTING KNIFE (DECORATIVE) M						1	
19		40115728		SPACER 02 (KNIFE)						1	

TABLE OF EXCHANGING GAUGE PARTS (3)

Knife holder
刃受け

Name of part 品名		For eyelet buttonhole はと目穴用	
Shape 形状			
Size(mm)	Ref.No.	Part No.	Remarks 備考
38	1	40115670	
28	37	40122567	
26	2	40115669	(J accessories J付属)
24	38	40122566	
22	3	40115668	(C accessories C付属)
18	39	40122565	
20	4	40115667	(J)
16	5	40115666	(C)
38	6	32067209	Optional spacer is used オプションスペーサ使用
36	7	32067308	
34	8	32067407	
32	9	32067506	
30	10	32067605	
28	11	32067704	
26	12	32067803	
24	13	32067902	
22	14	32068009	
20	15	32068108	
18	16	32068207	
16	17	32068306	
14	18	32068405	
12	19	32068504	
10	20	32068603	

The mark in () parentheses shows the standard equipment for each type.
()内の記号は、各仕様の標準装備品です。

Name of part 品名		For decorative buttonhole 眠り穴用	
Shape 形状			
Size(mm)	Ref.No.	Part No.	Remarks 備考
38	21	14042501	Optional spacer is used オプションスペーサ使用
36	22	32064404	
34	23	32064503	
32	24	14042600	
30	25	32064602	
28	26	32064701	
26	27	14042808	
24	28	32064800	
22	29	14042907	
20	30	32064909	
18	31	32065005	
16	32	14043103	
14	33	32065104	
12	34	32065203	
10	35	14043301	


Optional spacer オプションスペーサ	
	
Ref.No.	Part No.
36	40115639

TABLE OF EXCHANGING GAUGE PARTS (3)

No.	Supply Code	Parts No.	Replacement	Parts name	Remarks	Choice	Step	Level	Cons	Qty	Rep. QTY
1		40115670		HAMMER 38MM EYELET H						1	
2		40115669		HAMMER 26MM EYELET H						1	
3		40115668		HAMMER 22MM EYELET H						1	
4		40115667		HAMMER 20MM EYELET H						1	
5		40115666		HAMMER 16MM EYELET H						1	
6		32067209		KNIFE HOLDER 38MM (EYELET) H						1	
7		32067308		KNIFE HOLDER 36MM (EYELET) H						1	
8		32067407		KNIFE HOLDER 34MM (EYELET) H						1	
9		32067506		KNIFE HOLDER 32MM (EYELET) H						1	
10		32067605		KNIFE HOLDER 30MM (EYELET) H						1	
11		32067704		KNIFE HOLDER 28MM (EYELET) H						1	
12		32067803		KNIFE HOLDER 26MM (EYELET) H						1	
13		32067902		KNIFE HOLDER 24MM (EYELET) H						1	
14		32068009		KNIFE HOLDER 22MM (EYELET) H						1	
15		32068108		KNIFE HOLDER 20MM (EYELET) H						1	
16		32068207		KNIFE HOLDER 18MM (EYELET) H						1	
17		32068306		KNIFE HOLDER 16MM (EYELET) H						1	
18		32068405		KNIFE HOLDER 14MM (EYELET) H						1	
19		32068504		KNIFE HOLDER 12MM (EYELET) H						1	
20		32068603		KNIFE HOLDER 10MM (EYELET) H						1	
21		14042501		KNIFE HOLDER 40M- M DECORATIVE						1	
22		32064404		KNIFE HOLDER 36M- M DECORATIVE						1	
23		32064503		KNIFE HOLDER 34M- M DECORATIVE						1	
24		14042600		KNIFE HOLDER 32M- M DECORATIVE						1	
25		32064602		KNIFE HOLDER 30M- M DECORATIVE						1	
26		32064701		KNIFE HOLDER 28M- M DECORATIVE						1	
27		14042808		KNIFE HOLDER 26M- M DECORATIVE						1	
28		32064800		KNIFE HOLDER 24M- M DECORATIVE						1	
29		14042907		KNIFE HOLDER 22M- M DECORATIVE						1	
30		32064909		KNIFE HOLDER 20M- M DECORATIVE						1	
31		32065005		KNIFE HOLDER 18M- M DECORATIVE						1	
32		14043103		KNIFE HOLDER 16M- M DECORATIVE						1	
33		32065104		KNIFE HOLDER 14M- M DECORATIVE						1	
34		32065203		KNIFE HOLDER 12M- M DECORATIVE						1	
35		14043301		KNIFE HOLDER 10M- M DECORATIVE						1	
36		40115639		SPACER 02						1	
37		40122567		HAMMER_28MM_EYELET_H						1	
38		40122566		HAMMER_24MM_EYELET_H						1	
39		40122565		HAMMER_18MM_EYELET_H						1	

HOW TO MAKE USE OF THIS PARTS LIST

1.Explanation of codes

1)"*"mark.....means this part is changed from the previous parts book.

As to the details of the change, refer to the "List for information of change".

2)"#01".....refer to "Note" explanation at bottom of page.

2.Codes on the "Qty" column

- Each numeral indicates the number of parts required.
- "0.1" and "2.5" indicate the length (in meters) of the respective parts.

3.Parentheses mean that the corresponding part is a subpart that constructs an assembly part.

4.Dotted lines on the Figures indicate assembly parts.

5.As to the parts with marks of "☆"(consumable parts) and "◎"(optional parts)on the respective parts, it is recommended to prepare spares.

1 ."注記"欄の記号説明

1) "*"印.....前回のパーツブックに比較して今回変更された部品を意味します。

変更内容は、"変更情報リスト"を参照してください。

2) "#01".....ページ下の"注記"の説明を参照してください。

2.数量欄の数字は、個数を表し、0.1、2.5等の数値は、長さ（単位メートル）を表します。

3.数量欄の（ ）は、組部品を構成している子部品であることを意味します。

4.イラストページの-----枠は、組構成であることを意味します。

5.リストページの"☆"（消耗部品）、"◎"（オプション部品）の印がついた部品は、予備を準備しておくことをお奨めします。

NUMERICAL INDEX OF PARTS

PART NO	PAGE	REF NO.	PART NO	PAGE	REF NO.	PART NO	PAGE	REF NO.
10109700	42	65	14059604	98	15	32002255	10	11
10112704	40	6	14059703	98	20	32002255	88	22
10622009	4	49	14059802	98	16	32006504	12	84
11001005	2	29	16121907	66	12	32012205	20	41
11529914	24	13	22502504	62	13	32012601	22	55
12922605	10	28	22604805	76	53	32012700	22	57
13149901	24	21	22901805	10	7	32012809	22	53
13168901	90	13	22902506	2	21	32027005	30	12
13168950	90	11	22913503	24	9	32027005	32	11
13170105	74	4	22921407	60	6	32027005	100	4
13172903	24	40	22921407	64	6	32027104	30	11
13309208	48	29	22921407	70	39	32027104	32	12
13312202	44	49	22921803	60	7	32027104	100	3
13312202	46	49	22921803	64	7	32027203	34	23
13332705	64	18	22921803	70	40	32027401	34	25
13332705	70	46	22928907	60	8	32034308	38	32
13341102	60	5	22928907	64	8	32040305	40	27
13341102	64	5	22928907	70	41	32052409	40	15
13341102	70	38	22930309	90	2	32053506	62	20
13409800	62	2	22930408	90	3	32054900	62	14
13850052	90	1	22930507	90	4	32054900	88	37
14009104	56	25	22930556	90	22	32055501	62	16
14009203	56	26	22930705	90	5	32063604	100	7
14010508	34	51	22930804	90	6	32063703	100	8
14010508	36	51	22930903	90	7	32063802	100	9
14012504	6	46	22931000	90	8	32063901	100	10
14028708	42	58	22931109	90	9	32064008	100	11
14030001	42	71	22931307	90	10	32064107	100	12
14030100	62	8	22931406	90	12	32064206	100	13
14039507	66	24	22932800	90	24	32064305	100	14
14040703	66	5	22933204	90	25	32064404	102	22
14040802	66	26	23604200	44	9	32064503	102	23
14041404	100	16	23604200	48	7	32064602	102	25
14042501	102	21	23605207	44	24	32064701	102	26
14042600	102	24	23630007	42	79	32064800	102	28
14042808	102	27	23630007	74	51	32064909	102	30
14042907	102	29	23630007	76	51	32065005	102	31
14043103	102	32	26037200	2	26	32065104	102	33
14043301	102	35	26217604	6	49	32065203	102	34
14044903	40	29	26217604	8	49	32065302	100	17
14045306	40	16	26217604	62	15	32065401	100	18
14045801	56	33	26234005	90	31	32066904	100	15
14045900	56	32	26501502	16	37	32067209	102	6
14058002	90	30	32002008	6	47	32067308	102	7
14059505	98	19	32002008	8	47	32067407	102	8

NUMERICAL INDEX OF PARTS

PART NO	PAGE	REF NO.	PART NO	PAGE	REF NO.	PART NO	PAGE	REF NO.
32067506	102	9	40081602	88	13·14	40114427	88	23
32067605	102	10	40081603	84	51	40114430	6	3
32067704	102	11	40086469	88	11·12	40114433	88	2
32067803	102	12	40086470	88	11·12	40114433	94	9
32067902	102	13	40086712	54	9	40114442	88	38
32068009	102	14	40089784	12	47	40114443	88	16
32068108	102	15	40099923	58	17	40114444	48	1
32068207	102	16	40099989	58	3~6	40114444	88	31
32068306	102	17	40099990	58	3~6	40115110	2	8
32068405	102	18	40099991	58	3~6	40115113	2	20
32068504	102	19	40099992	58	3~6	40115116	6	35
32068603	102	20	40100145	12	55	40115119	2	24
32068900	66	25	40100390	12	51	40115120	2	30
32075301	68	59	40105465	82	15·16	40115121	2	32
32078800	6	4	40105465	88	9·10	40115125	2	38
32079105	6	7	40105475	82	15·16	40115126	2	39
32080707	96	4	40105475	88	9·10	40115127	2	40
40005692	80	3	40108520	80	1	40115129	2	43
40005693	80	4	40108520	88	30	40115136	6	1
40005697	80	13	40108521	80	2	40115136	88	32
40006515	48	33	40108529	80	5	40115137	6	2
40006516	48	35	40108530	80	6	40115138	6	5
40006840	40	35	40111214	82	18	40115139	6	6
40008423	62	19	40111214	88	26	40115140	6	17
40010414	64	15	40113451	84	47·48	40115141	6	18
40010477	62	31	40113451	88	13·14	40115159	10	38
40015692	40	43	40114136	82	6	40115161	14	95
40015693	40	44	40114370	88	39	40115162	10	14
40020191	74	47	40114371	88	7·8	40115163	10	15
40020191	76	47	40114373	88	5	40115170	10	32
40020389	62	21	40114375	88	4	40115171	10	35
40020390	62	33	40114380	2	42	40115173	10	41
40030628	20	32	40114380	88	33	40115174	10	104
40033831	88	1	40114389	88	24	40115174	14	104
40033831	94	8	40114390	10	19	40115175	10	46
40035238	98	17	40114398	82	17	40115176	12	54
40035239	98	13	40114421	18	53	40115177	12	60
40039843	98	18	40114421	88	17	40115178	12	65
40039844	98	14	40114422	68	54	40115179	12	66
40040243	10	25	40114422	88	18	40115180	12	69
40043974	88	7·8	40114424	44	19	40115181	12	71
40044053	48	39	40114424	88	19	40115182	12	72
40051473	48	5	40114426	68	55	40115183	12	73
40055811	72	62	40114426	88	21	40115184	12	76
40081602	84	47·48	40114427	4	47	40115185	12	77

NUMERICAL INDEX OF PARTS

PART NO	PAGE	REF NO.	PART NO	PAGE	REF NO.	PART NO	PAGE	REF NO.
40115186	12	81	40115257	24	23	40115323	100	2
40115188	12	89	40115258	24	30	40115324	32	24
40115189	10	13	40115259	24	25	40115324	98	9
40115202	16	18	40115260	24	27	40115325	32	25
40115203	16	11	40115261	24	28	40115325	98	5
40115204	16	19	40115262	24	29	40115326	30	21
40115205	16	14	40115263	24	33	40115326	32	19
40115206	16	16	40115265	24	42	40115327	30	22
40115209	16	39	40115266	24	45	40115327	32	20
40115210	16	40	40115267	26	49	40115330	34	42
40115211	16	41	40115272	26	47	40115337	38	1
40115212	16	42	40115277	28	1	40115338	38	4
40115216	18	55	40115278	28	3	40115340	38	11
40115219	18	61	40115280	28	4	40115341	38	12
40115221	74	27	40115282	28	6	40115342	38	14
40115222	74	23	40115283	28	8	40115343	38	19
40115223	74	28	40115284	28	9	40115344	38	21
40115224	74	24	40115285	28	10	40115345	38	22
40115225	74	15	40115286	28	13	40115346	38	24
40115227	20	1	40115288	28	14	40115365	40	2
40115228	20	60	40115289	28	18	40115366	40	9
40115228	22	60	40115290	28	20	40115367	40	11
40115229	20	6	40115291	28	24	40115368	40	12
40115230	20	27	40115292	28	27	40115369	40	13
40115231	20	30	40115302	34	4	40115370	40	14
40115232	20	11	40115303	34	26	40115371	40	20
40115233	20	12	40115304	34	16	40115372	40	26
40115234	20	44	40115307	30	16	40115373	40	31
40115235	20	48	40115307	32	16	40115374	40	37
40115235	22	48	40115309	32	8	40115375	40	38
40115236	20	33	40115309	98	6	40115376	40	39
40115237	20	35	40115310	34	38	40115377	40	41
40115238	30	8	40115311	34	40	40115378	40	42
40115238	98	12	40115313	34	43	40115379	42	47
40115239	30	7	40115316	32	7	40115380	40	46
40115239	98	8	40115316	98	10	40115381	42	48
40115240	30	19	40115317	34	44	40115382	42	50
40115240	98	11	40115318	34	30	40115383	42	51
40115241	30	20	40115321	30	10	40115384	42	56
40115241	98	7	40115321	32	9	40115387	42	57
40115251	24	22	40115322	30	24	40115388	42	60
40115252	24	15	40115322	32	22	40115389	42	61
40115254	24	16	40115322	100	1	40115390	42	64
40115255	24	18	40115323	30	25	40115394	42	69
40115256	24	20	40115323	32	23	40115395	42	70

NUMERICAL INDEX OF PARTS

PART NO	PAGE	REF NO.	PART NO	PAGE	REF NO.	PART NO	PAGE	REF NO.
40115396	42	72	40115466	48	31	40115578	60	2
40115397	40	5	40115467	48	13	40115578	64	2
40115400	40	21	40115468	48	27	40115579	60	3
40115401	40	22	40115477	52	4	40115579	64	3
40115402	42	85	40115478	52	5	40115579	70	36
40115403	94	1	40115479	52	7	40115580	60	4
40115403	98	3	40115492	56	35	40115580	64	4
40115404	94	2	40115493	54	3	40115580	70	37
40115404	98	1	40115494	54	10	40115581	60	14
40115405	42	73-74	40115495	54	12	40115585	60	16
40115405	98	4	40115496	54	13	40115588	60	13
40115406	42	73-74	40115497	54	14	40115589	60	20
40115406	98	2	40115500	54	15	40115597	62	1
40115417	44	1	40115501	54	16	40115599	62	4
40115418	44	3	40115504	54	17	40115600	62	5
40115419	44	4	40115505	54	18	40115601	62	6
40115421	44	12	40115506	54	20	40115602	62	10
40115422	44	13	40115507	54	21	40115603	62	22
40115423	44	16	40115508	54	22	40115604	62	23
40115424	46	54	40115509	54	23	40115605	62	24
40115425	44	33	40115510	54	24	40115606	62	28
40115426	44	26	40115511	54	26	40115607	62	29
40115427	44	27	40115512	54	28	40115608	62	30
40115430	44	28~31	40115513	54	29	40115609	62	36
40115431	44	28~31	40115514	54	1	40115611	62	37
40115432	44	28~31	40115524	56	34	40115612	62	39
40115433	44	28~31	40115525	56	8	40115613	62	40
40115434	44	37	40115530	56	12	40115622	64	1
40115435	44	41	40115531	56	14	40115624	64	20
40115436	44	44	40115535	56	21	40115627	64	22
40115437	46	47	40115543	56	37	40115629	64	24
40115438	46	50	40115544	56	39	40115637	66	19
40115439	44	18	40115545	56	3	40115638	66	20
40115440	44	39	40115546	56	2	40115638	90	36~38
40115441	44	45	40115547	56	4	40115638	94	5
40115442	46	51	40115550	56	1	40115639	66	21
40115448	56	30	40115557	58	19	40115639	90	36~38
40115452	48	3	40115558	58	20	40115639	94	6
40115453	48	9	40115559	58	22	40115639	102	36
40115458	48	12	40115561	58	10	40115640	66	22
40115459	48	14	40115562	58	12	40115640	90	36~38
40115460	48	18	40115563	58	1	40115640	94	7
40115461	48	15	40115564	58	2	40115641	66	23
40115464	48	20	40115566	58	14	40115642	66	35
40115465	48	26	40115567	58	16	40115643	66	36

NUMERICAL INDEX OF PARTS

PART NO	PAGE	REF NO.	PART NO	PAGE	REF NO.	PART NO	PAGE	REF NO.
40115644	66	31	40115876	82	9	40133594	2	35
40115645	66	33	40115877	82	10	40134725	12	83
40115647	66	37	40115878	82	11	40138570	70	20
40115648	66	38	40115879	82	12	40139091	90	29
40115649	66	40	40115901	70	11	40139096	70	21
40115651	68	41	40115904	70	18	40143988	82	4·5
40115652	68	43	40115905	70	19	40143989	82	4·5
40115653	68	47	40115906	70	16	40143990	82	8
40115654	66	48	40115907	70	15	40144291	40	1
40115654	68	48	40115909	70	1	40145055	88	25
40115655	68	45	40115910	70	7	40145057	88	15
40115656	68	50	40115911	70	6	40145070	82	13
40115658	66	7	40115912	70	3	40145070	88	3
40115659	66	9	40115914	70	17	40145088	82	14
40115660	66	15	40115916	70	9	40145088	88	6
40115661	66	14	40115917	70	31	40145219	72	51
40115662	68	52	40115918	70	33	40145219	78	16
40115663	68	53	40115919	70	35	40145229	38	42
40115664	66	18	40115994	94	11	40145230	38	30
40115664	100	5	40118782	60	1	40145231	38	8
40115665	94	3	40119990	74	25	40145232	72	48
40115665	100	6	40119991	74	16·17	40145233	34	28
40115666	68	61·62	40119992	10	2	40145234	42	66
40115666	102	5	40119996	74	33	40145236	58	9
40115667	68	61·62	40120491	20	39	40145238	18	51
40115667	102	4	40120513	10	5	40145240	14	96
40115668	90	39	40122565	94	26	40145244	8	52
40115668	102	3	40122565	102	39	40145245	6	20
40115669	90	40	40122566	94	27	40145251	16	43
40115669	102	2	40122566	102	38	40145252	16	10
40115670	94	4	40122567	94	28	40145253	16	7
40115670	102	1	40122567	102	37	40145254	26	50
40115671	68	60	40126054	86	68·69	40145255	24	46
40115682	78	35	40126322	92	2	40145257	24	34
40115683	78	1	40126835	24	38	40145258	24	8
40115683	88	28	40126870	94	12	40145259	24	10
40115684	78	6	40126871	94	13	40145260	24	6
40115685	78	10	40126872	94	14	40145261	6	24
40115690	78	2	40126873	94	15	40145262	6	26
40115698	74	19	40131483	52	3	40145264	74	43
40115699	74	18	40132257	94	35	40145265	10	3
40115727	90	33	40132272	92	1	40145268	6	22
40115728	94	10	40132291	52	11	40145275	10	17
40115728	100	19	40132292	52	10	40145278	10	24
40115874	82	7	40132293	52	9	40145279	56	15

NUMERICAL INDEX OF PARTS

PART NO	PAGE	REF NO.	PART NO	PAGE	REF NO.	PART NO	PAGE	REF NO.
40145280	56	23	40151683	82	1~3	BT0600401EB	78	28
40145281	56	9	40151687	86	68·69	BT0800601B0	60	24
40145282	70	13	40153639	30	1	BT1000651EB	78	34
40145284	44	8	40153639	32	1	BT1200801EF	66	13
40145285	38	34	40153640	30	4	CM100300001	8	53
40145286	2	9	40153640	32	4	CM300100001	84	39
40145288	16	2	40153643	30	13	CM300100402	84	40
40145291	10	1	40153643	32	13	CM300200001	4	51
40145295	18	60	40153644	30	14	CM300200001	8	54
40145299	42	83	40153644	32	14	CM300200001	68	63
40146259	74	41	40153647	30	15	CM300200002	8	55
40146876	94	29	40153647	32	15	CM300200002	14	97
40146877	94	30	40155596	96	1	CM300400602	84	41
40146878	94	31	40157821	14	100	CM301300001	4	52
40149096	16	1	40157823	14	101	CM500200001	48	38
40149096	88	36	40157824	14	103	CM600100101	4	53
40149097	16	34	40157825	92	3	CM600100101	80	10
40149097	88	35	40157827	96	3	CM600100101	84	42
40149098	38	10	40157834	72	59	CQ200000000	42	81
40149098	88	34	A1230500000A	48	41	CQ200000000	74	55
40149100	24	36	B1128850000	60	25	CQ200000000	76	55
40149100	88	20	B1135850000	40	28	CQ202000000	42	76
40149101	88	27	B1212210D00	48	37	CQ252000000	10	27
40149102	88	29	B1223771000	12	49	CQ252200000	42	78
40149577	52	1	B1625220000	70	24	CQ252200000	54	33
40149782	40	32	B1626220000	70	25	CQ252200000	74	46
40149783	40	34	B1820210D00	42	75	CQ3500000F0	42	77
40150131	4	54	B1821210D00	40	33	CS0800881TP	12	56
40150131	84	43	B2107816000	24	44	CS0800881TP	34	45
40150132	16	22	B2313180000	56	31	CS1200981TP	12	79
40150133	16	24	B3121804000	60	9	CS1200981TP	38	15
40150638	96	2	B3121804000	64	9	D2113555B00	90	35
40151033	66	1	B3121804000	70	42	E1902172000	16	49
40151034	48	10	B3501210000	2	6	E1902172000	18	49
40151035	48	11	B3518280000	74	20	E2066715000	38	17
40151037	48	17	B4328220000	42	55	E2193172000	12	87
40151038	56	10	B8111220000	10	39	E8760452S00	84	46
40151039	56	11	B8112220000	10	40	EA9500B0000	18	59
40151040	56	16~20	B8202205000	10	31	EA9500B0000	40	23
40151041	56	16~20	B9121012000	10	30	EA9500B0100	6	15
40151042	56	16~20	B91212200A0	90	26	EA9500B0100	10	9
40151043	56	16~20	BP500000000	74	31	EA9500B0100	18	63
40151044	56	16~20	BT0400251EB	60	22	EA9500B0100	44	35
40151681	82	1~3	BT0400251EB	64	13	EA9500B0100	74	32
40151682	82	1~3	BT0400251EB	78	20	EA9500B0100	80	7

NUMERICAL INDEX OF PARTS

PART NO	PAGE	REF NO.	PART NO	PAGE	REF NO.	PART NO	PAGE	REF NO.
EA9500B0100	84	45	NM6030003SC	28	17	PH0400105S0	38	39
EA9500B0200	54	34	NM6040001SC	74	40	PH0400402C0	90	34
EA9500B0200	84	60	NM6040001SC	94	19	PH0500102C0	2	7
G5681116000	34	2	NM6040001SD	6	14	PJ025200001	72	54
G6013880000	28	25	NM6040001SP	24	32	PJ032052503	34	3
GAF01007000	48	40	NM6040003SC	28	21	PJ032052503	60	12
HA005820000	84	49-50	NM6040003SC	62	18	PJ046039001	70	63
HA006420000	84	49-50	NM6050001SC	20	34	PJ046039001	72	63
HF0013050P0	84	56-57	NM6050001SC	24	11	PJ046052501	34	22
HF003000200	84	56-57	NM6050001SC	34	20	PJ046052503	24	3
HN001490000	86	65-66	NM6050001SC	78	9	PJ046052503	34	1
HN00149000D	14	98	NM6050001SE	90	19	PJ046052503	64	12
HN002110000	86	65-66	NM6050001SP	24	17	PJ046052503	70	30
HN002460000	86	67	NM6050003SC	12	68	PJ046054002	24	2
HX00094000A	74	21	NM6060001SC	12	50	PJ21030401C	62	12
HX00094000C	10	6	NM6060001SC	94	24	PJ301045101	72	56
HX00094000C	74	34	NM6060001SC	96	7	PJ304040301	28	23
HX001500000	6	30	NM6060001SE	38	9	PJ304100004	12	88
HX001500000	18	57	NM6060003SC	12	64	PJ304105201	68	46
HX001500000	38	37	NM6060003SC	64	17	PJ304105201	72	52
HX001500000	44	21	NM6060003SE	38	31	PJ304105301	78	27
HX00150000A	16	32	NM6080001SC	96	8	PJ305040502	20	40
HX00150000B	2	45	NM6080002SC	86	64	PJ305100002	78	25
HX00150000B	22	61	NM6080003SC	12	92	PJ309520001	90	28
HX00150000C	74	38	NM6160511SE	90	14	PJ3C1040502	70	45
HX00150000D	74	5	NM6660043SD	66	34	PJ3C1060503	66	17
HX00150000D	84	58	NM6850001SC	28	5	PJ3C3060003	78	21
HX00150000F	2	16	NM6850001SC	62	27	PJ3C4040504	20	38
HX00150000H	2	18	PA0600504A0	60	11	PJ3C8040002	22	62
HX00150000N	6	29	PA0600504A0	64	11	PS0100052KP	70	22
HX00222000D	82	21	PA0600504A0	70	44	PS0200162KH	62	34
HX00292000A	82	22	PA1000601A0	70	23	PS0250082KP	40	24
HX00339000F	12	91	PA1001029A0	62	9	PS0300142KH	12	70
HX00339000M	82	23	PA100153400	28	22	PS0400142KH	48	42
HX006850000	84	53	PA1002007B0	24	1	PS0500452KP	12	82
KX000000260	82	20	PA1602009A0	70	29	PS0800162KP	10	12
KX000000320	82	19	PA1602011A0	34	21	PV010015000	20	13
M300451100A	84	55	PA1602013A0	20	37	PV03520900C	72	53
M8002430000	84	38	PB000010000	90	27	PV1551140A0	72	57
MAO11108N00	96	5	PC012401000	78	29	PV1551140A0	78	17
MC185801100	56	28	PC012603C00	78	30	PV155303000	78	14
MC185801102	90	32	PF025215000	78	26	PX055202000	78	11
MTJMS00000S	90	23	PH0300062C0	60	10	PX055202C00	72	55
MTSHJ100003	84	61	PH0300062C0	64	10	PX500014000	72	60
MTSHJ100003	96	6	PH0300062C0	70	43	PX500014000	78	12

NUMERICAL INDEX OF PARTS

PART NO	PAGE	REF NO.	PART NO	PAGE	REF NO.	PART NO	PAGE	REF NO.
PX500020000	20	36	SL4030891SC	40	36	SL6051242TN	38	26
PX500020000	34	19	SL4031081SC	80	9	SL6051292TN	6	19
RC0470611KP	10	20	SL4031481SC	10	29	SL6051292TN	38	25
RC0470611KP	62	11	SL4040881SC	82	34	SL6051292TN	54	25
RC1650001KP	58	23	SL4040891SC	2	19	SL6051692TN	24	5
RC1850001KP	44	6	SL4040891SC	6	27	SL6051692TN	38	36
RC1951211KP	16	50	SL4040891SC	10	8	SL6052592TN	48	2
RC1951211KP	18	50	SL4040891SC	16	58	SL6053092TN	16	23
RE0200000K0	42	49	SL4040891SC	18	58	SL6061292TN	6	23
RE0300000K0	70	26	SL4040891SC	22	52	SL6061492TN	10	36
RE0400000KP	6	51	SL4040891SC	38	38	SL6083092TN	12	86
RE0400000KP	8	51	SL4040891SC	44	22	SM0030301SN	30	18
RE0500000KP	34	54	SL4040891SC	70	34	SM0030301SN	32	18
RE0500000KP	36	54	SL4040891SC	74	37	SM0040801SC	62	7
RE0800000K0	38	41	SL4041091SC	10	4	SM0081001SD	74	1
SB1120018C0	38	18	SL4041091SC	60	26	SM1030400SP	34	49
SB1200003C0	42	84	SL4041091SC	74	44	SM1030400SP	36	49
SB1200003C0	44	5	SL4041091SC	84	59	SM1030501SC	56	24
SB1200003C0	50	47	SL4041091SE	84	52	SM1030601SC	22	58
SB1200003C0	52	8	SL4041281SC	84	44	SM1030601SP	30	23
SB120001600	48	46	SL4041291SC	96	9	SM1030601SP	32	21
SB120001600	50	46	SL4041691SC	80	12	SM1030601SP	54	30
SB120001600	52	2	SL4042081SC	10	18	SM1041001SN	6	44
SB1200020C0	44	10	SL4042091SC	82	35	SM1041001SP	34	53
SB1200020C0	48	44	SL4051291SC	72	67	SM1041001SP	36	53
SB120002800	44	23	SL6030692TN	6	12	SM1041201SC	40	10
SB120002900	48	45	SL6030692TN	62	41	SM1043001SP	94	16
SB120003100	42	82	SL6030692TN	94	32	SM1061201SN	10	37
SB1250005C0	56	27	SL6031692TN	10	10	SM1850600SP	30	9
SB3070002CA	48	21~24	SL6040642TN	52	14	SM1850600SP	32	10
SB3070002CB	48	21~24	SL6040892TN	2	36	SM4030455SP	46	48
SB3070002CC	48	21~24	SL6040892TN	6	36	SM4030501SC	6	10
SB3070002CD	48	21~24	SL6040892TN	44	17	SM4030601SC	24	35
SB408000100	16	36	SL6040892TN	68	57	SM4030655SP	44	42
SB8080002C0	54	6	SL6040892TN	70	32	SM4030801SC	18	54
SD0600277TP	2	33	SL6040892TN	74	6	SM4030801SC	24	37
SD0791276TP	12	63	SL6041092TN	2	41	SM4030801SC	44	20
SD0800327TP	20	29	SL6041092TN	6	31	SM4030801SE	68	56
SD0800656TP	20	31	SL6041092TN	24	39	SM4040655SP	2	48
SD0800746TP	54	7	SL6041092TN	56	6	SM4040655SP	4	48
SK3382001SE	80	11	SL6041092TN	68	58	SM4040655SP	28	11
SK3512001SE	84	54	SL6041092TN	74	39	SM4040655SP	44	14
SK3582501SE	94	25	SL6041492TN	16	35	SM4040655SP	60	21
SL4021091SC	6	11	SL6041492TN	56	7	SM4040655SP	64	25
SL4030881SC	84	36	SL6051092TN	62	35	SM4040655SP	72	47

NUMERICAL INDEX OF PARTS

PART NO	PAGE	REF NO.	PART NO	PAGE	REF NO.	PART NO	PAGE	REF NO.
SM4040855SP	20	51	SM6040802TP	10	42	SM8030312TP	24	43
SM4040855SP	22	51	SM6040802TP	20	43	SM8030312TP	28	15
SM4040855SP	40	30	SM6040802TP	34	24	SM8030402TP	10	26
SM4040855SP	64	14	SM6040802TP	70	8	SM8030412TP	40	45
SM4041055SP	40	3	SM6041002TP	42	59	SM8030412TP	58	21
SM4041055SP	44	32	SM6041002TP	70	10	SM8030412TP	62	32
SM4041055SP	62	42	SM6041050TP	6	9	SM8030412TP	70	4
SM4041255SP	42	62	SM6041050TP	70	14	SM8030602TP	66	10
SM4042055SP	20	49	SM6041202TP	34	27	SM8031002TP	42	68
SM4042055SP	22	49	SM6041602TP	38	23	SM8031212TP	28	16
SM4042555SP	40	17	SM6041802TP	6	8	SM8040310SS	48	36
SM4043055SP	40	18	SM6041802TP	56	5	SM8040360TP	24	41
SM4050855SP	12	90	SM6042002TP	24	7	SM8040402TP	58	18
SM4050855SP	34	17	SM6042002TP	54	4	SM8040412TP	56	36
SM4051255SP	2	10	SM6043002TN	72	58	SM8040502TP	62	3
SM4051405SE	90	20	SM6043002TN	78	15	SM8040612TP	34	52
SM4055001SF	72	49	SM6050650TP	54	8	SM8040612TP	36	52
SM4055001SF	78	7	SM6051002TN	34	50	SM8040612TP	40	7
SM4061255SP	60	18	SM6051002TN	36	50	SM8050412TP	12	80
SM5040550TP	34	48	SM6051002TN	38	3	SM8050412TP	38	16
SM5040550TP	36	48	SM6051002TP	10	74	SM8050412TP	58	11
SM5041055SN	6	28	SM6051002TP	12	74	SM8050512TP	12	57
SM5041055SN	18	56	SM6051002TP	28	28	SM8050512TP	34	47
SM5850460SP	28	2	SM6051202TP	66	11	SM8050512TP	36	47
SM6020600TP	70	12	SM6051400SP	16	25	SM8050602TP	66	16
SM6030402TP	66	3	SM6051552TP	58	15	SM8050612TP	12	85
SM6030502TP	66	27	SM6051602TP	66	6	SM8050612TP	18	52
SM6030600SP	42	54	SM6052002TP	16	21	SM8050612TP	54	2
SM6030602TP	10	105	SM6052502TP	16	9	SM8050612TP	60	23
SM6030602TP	14	105	SM6061002TP	64	16	SM80506A2TP	40	8
SM6030602TP	54	31	SM6061202TP	12	58	SM80506A2TP	44	52
SM6030602TP	56	22	SM6061202TP	16	48	SM80506A2TP	46	52
SM6031202TP	56	40	SM6061202TP	18	48	SM80506A2TP	56	13
SM6031402TP	42	67	SM6061202TP	38	35	SM8060602TP	16	38
SM6031402TP	56	38	SM6061402TP	12	52	SM8060612TP	10	78
SM6031602TP	24	4	SM6061602TP	54	11	SM8060612TP	12	78
SM6032002TN	70	27	SM6061610SC	90	21	SM8060612TP	16	15
SM6034002TN	28	26	SM6061650TP	16	20	SM80606A2TP	44	36
SM6040602TN	94	33	SM6062502TN	94	20	SM80606A2TP	48	43
SM6040602TP	2	44	SM6064002TP	44	7	SM80606A2TP	52	13
SM6040602TP	18	62	SM6085002TP	14	94·99	SM80606A2TP	58	7
SM6040602TP	64	21	SM6088502TP	14	94·99	SM8060812TP	38	33
SM6040602TP	66	8	SM6850402TN	42	52	SM8060812TP	48	25
SM6040610SC	2	12	SM6850502TN	48	16	SM8060812TP	54	19
SM6040802TP	2	46	SM8020452TP	48	19	SM80608A2TP	44	46

NUMERICAL INDEX OF PARTS

PART NO	PAGE	REF NO.	PART NO	PAGE	REF NO.	PART NO	PAGE	REF NO.
SM80608A2TP	66	51	WP0450826SC	2	28	WZ0620550KP	2	34
SM80608A2TP	68	51	WP0450846SP	40	19	WZ0880200KP	22	59
SM8061242TP	66	32	WP0480856SP	28	12			
SM8080812TP	48	28	WP0531000SC	16	27			
SM8430550TP	56	29	WP0531000SD	16	8			
SM8480652TP	46	53	WP0531001SC	72	50			
SM8480652TP	54	27	WP0531001SC	78	8			
SM9041050SC	4	50	WP0550800SP	6	48			
ST5030651SN	14	102	WP0550800SP	8	48			
TA0370301R0	2	2	WP0550800SP	10	75			
TA0550604R0	58	13	WP0550800SP	12	75			
TA0850604R0	2	37	WP0553216SD	12	67			
TA0850604R0	6	45	WP0553216SD	20	42			
TA1050504R0	2	3	WP0553216SD	34	18			
TA1250406R0	2	13	WP0561616SC	38	27			
TA1250406R0	76	54	WP0621016SD	38	40			
TA1270502R0	2	15	WP0621016SH	12	59			
TA1450404R0	6	32	WP0621016SH	18	47			
TA1470704R0	2	4	WP0641601SC	96	10			
TA2050406R0	2	11	WP0641601SD	16	46			
TA2100904R0	6	33	WP0641601SD	60	19			
TA2351004R0	2	14	WP0651001SC	94	21			
TA2351305R0	6	34	WP0651646SC	94	22			
WP0220300SC	72	61	WP0841601SC	74	3			
WP0250501SC	62	25	WP0852086SC	14	93			
WP0280500SC	42	53	WP0852086SC	84	62			
WP0320500SC	54	32	WP0852086SC	96	11			
WP0320500SD	66	4	WP1612616SE	90	16			
WP0320501SD	66	28	WS0310002KR	62	26			
WP0430800SC	20	50	WS0410002KN	94	18			
WP0430800SC	22	50	WS0510002KN	16	26			
WP0430800SC	54	5	WS0510002KN	24	12			
WP0430800SC	84	37	WS0510002KN	90	18			
WP0430800SD	2	22	WS0610002KN	16	45			
WP0430800SD	40	63	WS0610002KN	94	23			
WP0430800SD	42	63	WS0610002KN	96	12			
WP0430800SD	44	38	WS0820002KN	74	2			
WP0430801SC	28	19	WS0820002KN	96	13			
WP0430801SC	62	17	WS0820002KR	86	63			
WP0430801SC	94	34	WS1643202KR	90	15			
WP0431005SP	72	66	WZ0320290UZ	34	46			
WP0450801SD	26	48	WZ0540100KH	10	23			
WP0450801SP	6	16	WZ0541510KP	24	31			
WP0450801SP	10	43	WZ0620290KP	6	50			
WP0450801SP	64	26	WZ0620290KP	8	50			