

MODEL : LBH-1796A

List No : 1661-01

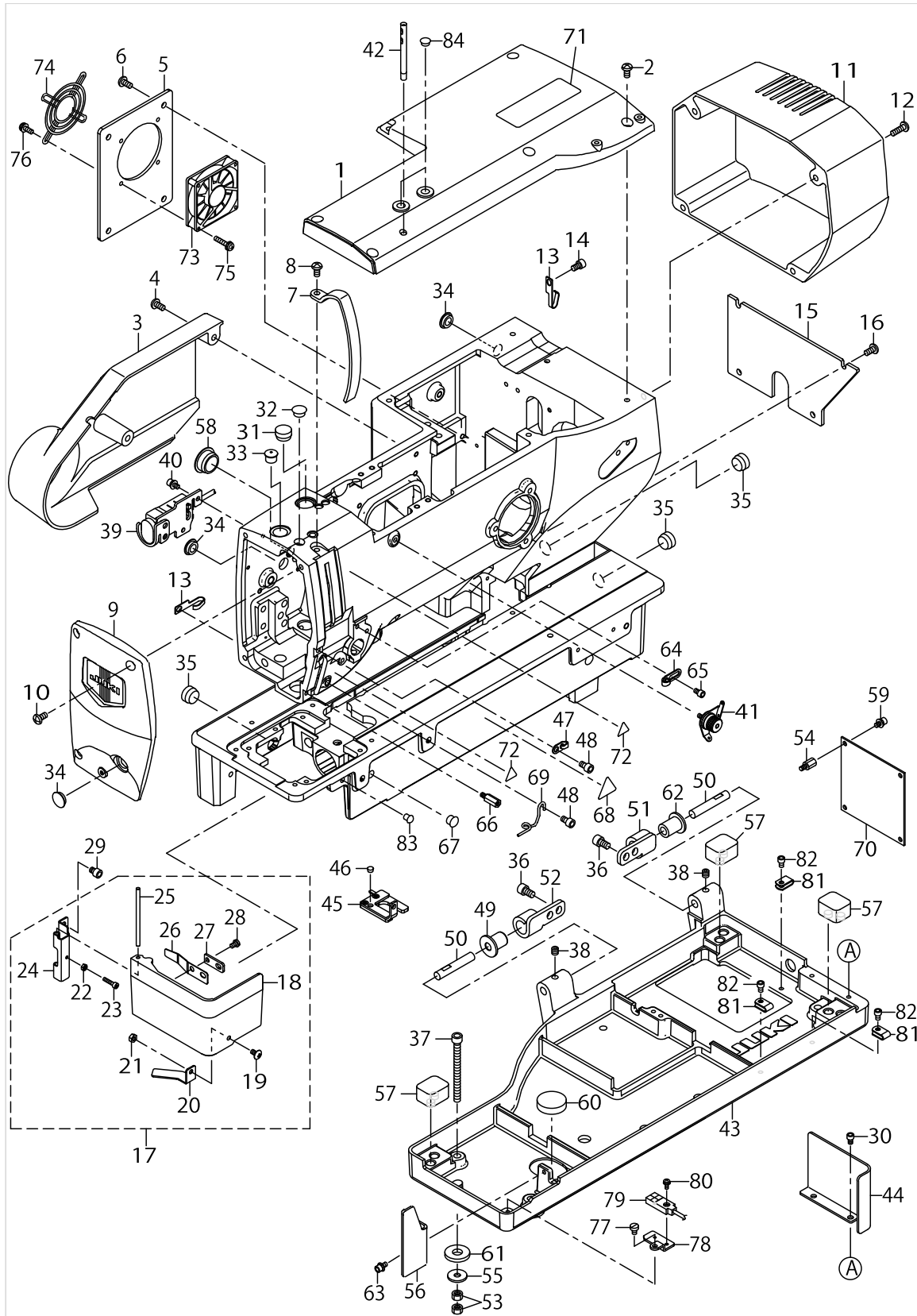
PARTS LIST

Published:05/12/2017

CONTENTS

FRAME & MISCELLANEOUS COVER COMPONENTS (1)	1
FRAME & MISCELLANEOUS COVER COMPONENTS (2)	5
MAIN SHAFT COMPONENTS	11
HOOK DRIVING SHAFT COMPONENTS	15
PRESSER & FEED COMPONENTS	17
NEEDLE BAR ROCKING COMPONENTS	23
NEEDLE THREAD TRIMMER COMPONENTS.....	25
BOBBIN THREAD TRIMMER COMPONENTS.....	29
CLOTH CUTTING KNIFE COMPONENTS	33
TABLE COMPONENTS	35
OPERATION BOX COMPONENTS (ACCESSORIES OF A CONTROL BOX).....	37
CONTROL BOX COMPONENTS	39
WIRING DIAGRAM	43
ACCESSORIE PARTS COMPONENTS	47
THREAD STAND COMPONENTS.....	49
SPECIAL SPECIFICATIONS COMPONENTS (1).....	51
SPECIAL SPECIFICATIONS COMPONENTS (2).....	53
EXCHANGING PARTS.....	55
LIST FOR INFORMATION OF CHANGE.....	57
HOW TO MAKE USE OF THIS PARTS LIST	58

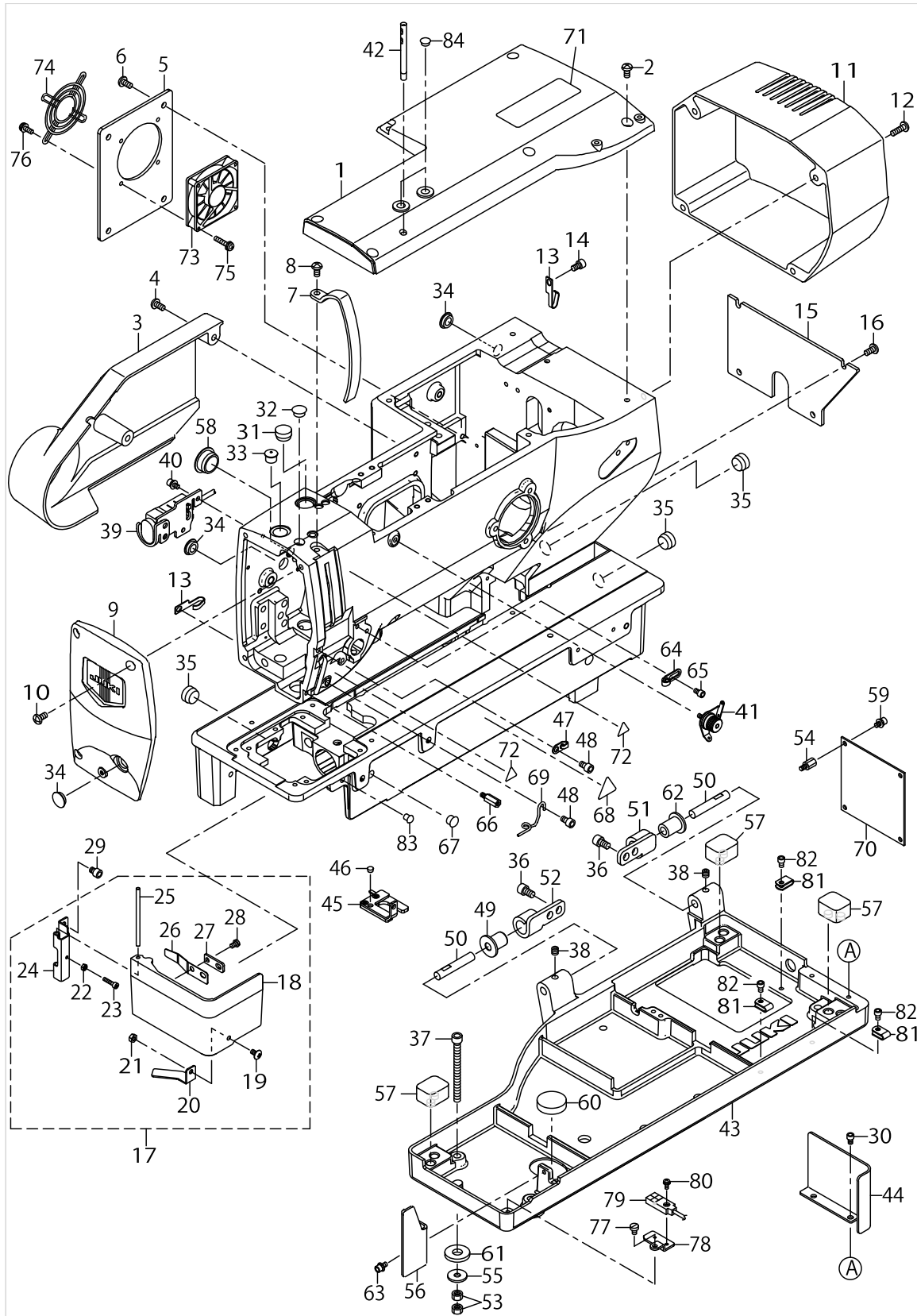
FRAME & MISCELLANEOUS COVER COMPONENTS (1)



FRAME & MISCELLANEOUS COVER COMPONENTS (1)

No.	Supply Code	Parts No.	Replacement	Parts name	Remarks	Choice	Step	Level	Cons	Qty	Rep. QTY
1		40143770		UPPER COVER						1	
2		SM4051055SP		SCREW						6	
3		40141709		LEFT_COVER						1	
4		SM4051055SP		SCREW						2	
5		40142906		LEFT COVER B						1	
6		SM4051055SP		SCREW						4	
7		40004157		THREAD_TAKE_UP_LEVER_COVER						1	
8		SM4051055SP		SCREW						1	
9		40004156		FRONT_COVER						1	
10		SM4051055SP		SCREW						3	
11		40004159		MOTOR_COVER						1	
12		SM4051655SP		SCREW M5 L=16						4	
13		26230409		LUBRICATING OIL WICK STOPPER						2	
14		SM6050802TP		SCREW M5X0.8 L=8						1	
15		40004161		REAR_COVER						1	
16		SM4051055SP		SCREW						4	
17		40142148		HOOK_OIL_SHIELD_COVER_COMPL.						1	
18		40142887		HOOK_OIL_SHIELD_COVER				*		1	
19		SM0040801SC		SCREW				*		1	
20		40145328		SENSOR SLIT PLATE C				*		1	
21		NM6040001SC		NUT M4X0.7 TYPE1				*		1	
22		NM6030001SD		NUT M3X0.5				*		1	
23		SM6031402TP		SCREW				*		1	
24		13703806		HOOK OIL SHIELD HINGE				*		1	
25		13703905		HINGE PIN				*		1	
26		40141710		HINGE_SPRING				*	☆	1	
27		40141711		HINGE_SPRING_WASHER				*		1	
28		SM4040655SP		SCREW M4 L=6				*		1	
29		SM6050652TP		HEXAGON SOCKET HEAD SCREW M5X6						2	
30		SM6040602TP		SCREW M4 L=6						2	
31		TA1550902R0		PLUG						1	
32		TA1050504R0		RUBBER PLUG						1	
33		40141795		PBL_METAL_CAP						1	
34		TA1250406R0		RUBBER PLUG D=12.5 L=4						3	
35		TA1550902R0		PLUG						3	
36		SM6061002TP		SCREW M6 L=10	ACCESSO- RIE PARTS					4	
37		SM6067052TP		HEXAGON BOLT						4	
38		SM80606A2TP		SCREW M6 L=6						2	
39		40029632		STOP SW ASM						1	
40		SL6040892TN		SCREW						2	
41	R	22528764	40050700	PRE-TENSION CONTROLLER ASM.						1	1.00
42		22502504		THREAD GUIDE BAR	ACCESSO- RIE PARTS					1	
43		40153003		BED BASE 220						1	
44		40004160		BED_REAR_COVER						1	
45		40141706		ASSY_LED_DEVICE					☆	1	

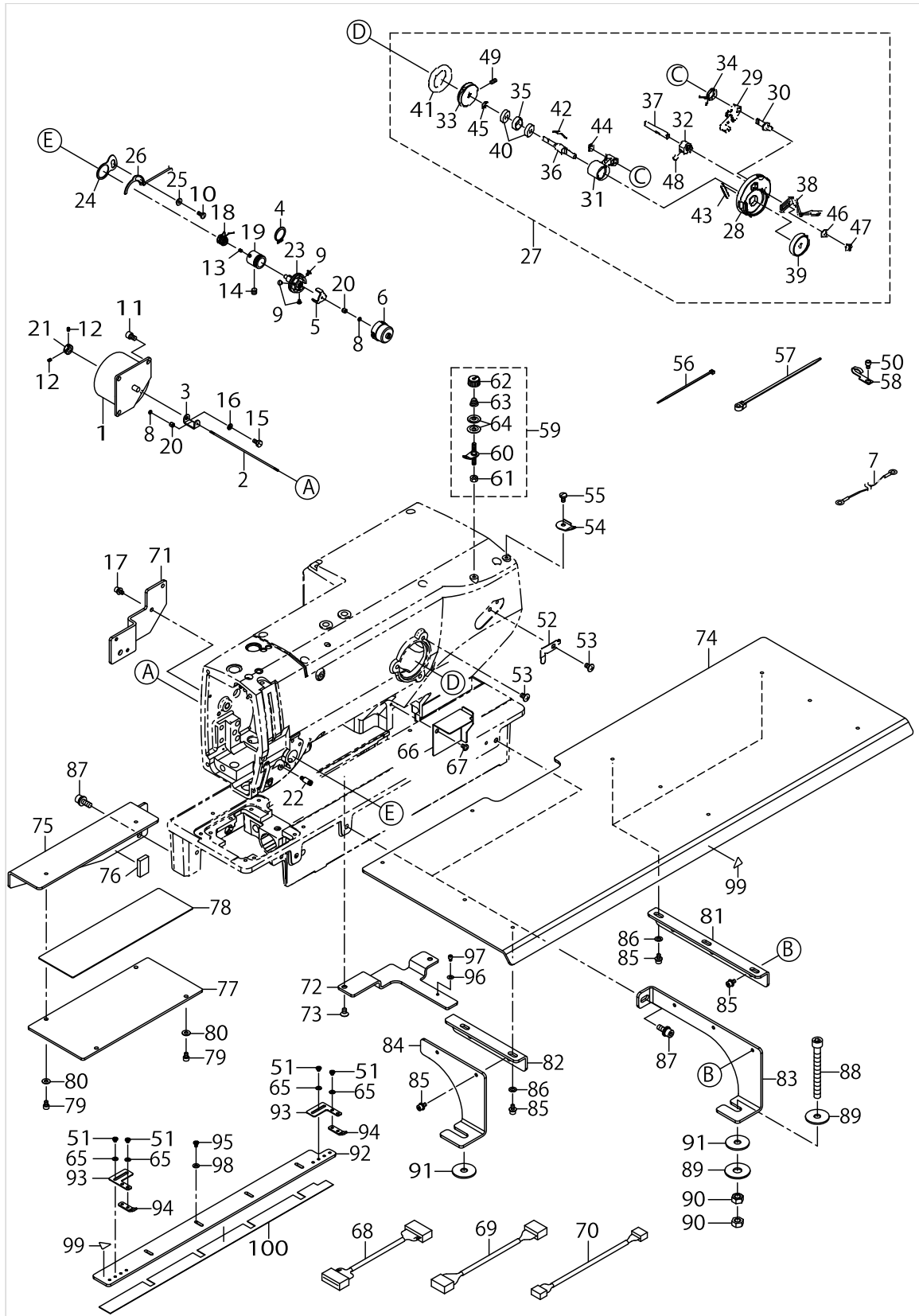
FRAME & MISCELLANEOUS COVER COMPONENTS (1)



FRAME & MISCELLANEOUS COVER COMPONENTS (1)

No.	Supply Code	Parts No.	Replacement	Parts name	Remarks	Choice	Step	Level	Cons	Qty	Rep. QTY
46		TA0500301R0		PLUG 5X5.8 L=3						1	
47		13922208		TAKE-UP THREAD GUIDE B						1	
48		SM6050802TP		SCREW M5X0.8 L=8						2	
49		40006314		HINGE_BUSH	ACCESSO- RIE PARTS					1	
50		13700604		HINGE PIN						2	
51		13700406		HINGE PLATE A	ACCESSO- RIE PARTS					1	
52		13700505		HINGE PLATE B	ACCESSO- RIE PARTS					1	
53		NM6060001SD		NUT M6						8	
54		KX000000380		SPACER						4	
55		WP0612056SD		WASHER 6.1X18.5X2						4	
56		13943303		OIL SHIELD	ACCESSO- RIE PARTS					1	
57		40008977		RUBBER C						3	
58		TA2100904R0		RUBBER PLUG						1	
59		SL6040892TN		SCREW						4	
60		E2002855000		Z STOPPER RUBBER						1	
61		D6056555B00		RUBBERCUSHION(B)						4	
62		13700703		RUBBER HINGE	ACCESSO- RIE PARTS					1	
63		SL6040892TN		SCREW	ACCESSO- RIE PARTS					1	
64		40009037		TAKE-UP THREAD GUIDE A						1	
65		SM6040602TP		SCREW M4 L=6						1	
66		40141713		STUD						1	
67		TA0850604R0		RUBBER PLUG						1	
68		CM300200003		ATTENTION LABEL						1	
69		13705405		NEEDLE BAR THREAD GUIDE						1	
70		40138611		INT PCB ASSY						1	
71		CM301300001		SAFETY LABEL						1	
72		CM300200001		ATTENTION SEAL						2	
73		40111214		FAN MOTOR ASSY						1	
74		HM0003800A0		FINGER GUARD						1	
75		SL4042091SC		SCREW M4X0.7 L=20						2	
76		SL4041291SC		SCREW M4 L=12						2	
77		SM6040650TP		SCREW						1	
78		40145327		SENSOR PALTE C						1	
79		40141483		COVER SENSOR ASSY						1	
80		SL4030881SC		SCREW M3 L=8						1	
81		HX001500000		CLIP						3	
82		SM6040602TP		SCREW M4 L=6						3	
83		TA0550604R0		RUBBER PLUG						1	
84		TA0750404R0		PLUG D=7.5 L=3.5						2	

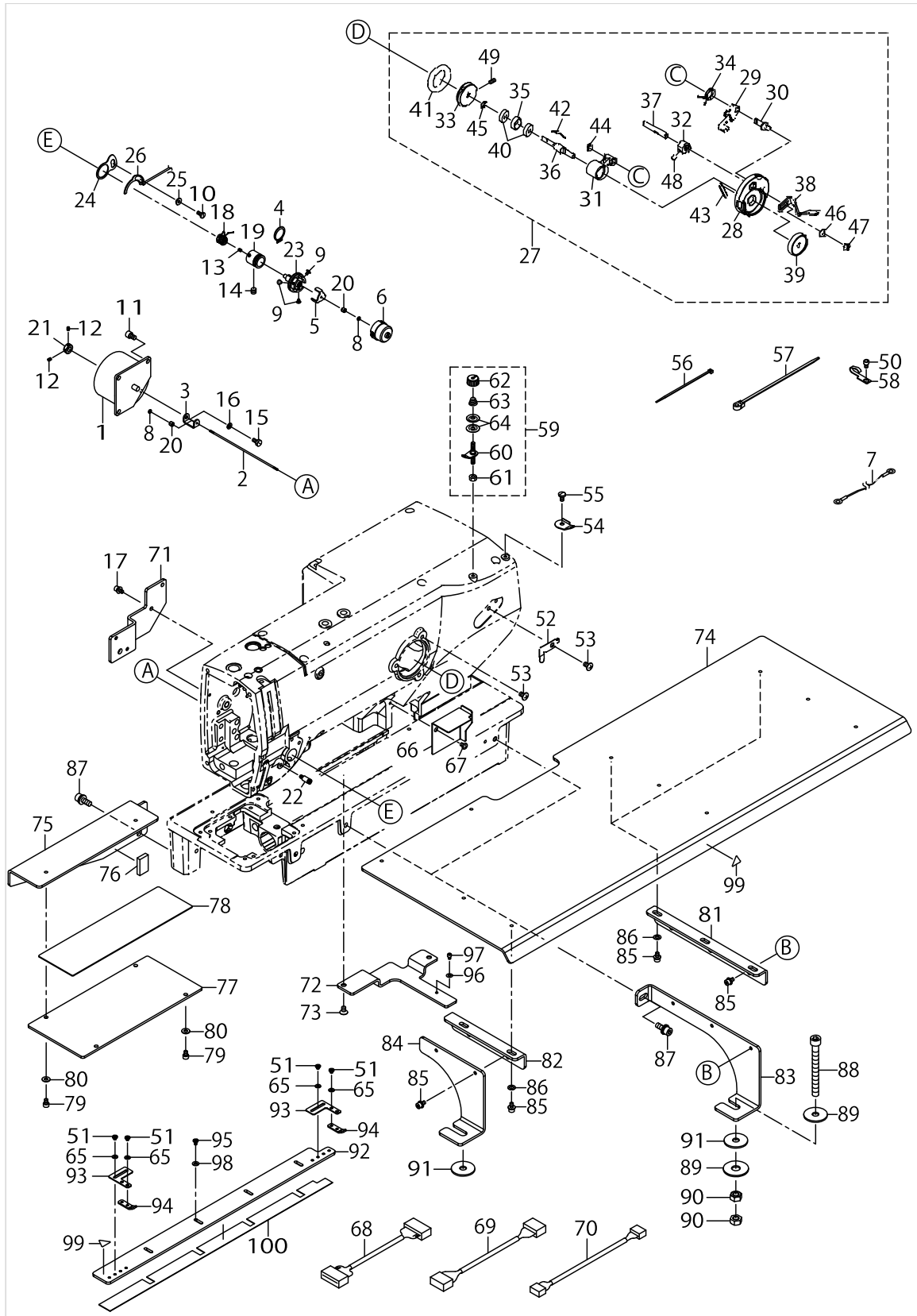
FRAME & MISCELLANEOUS COVER COMPONENTS (2)



FRAME & MISCELLANEOUS COVER COMPONENTS (2)

No.	Supply Code	Parts No.	Replacement	Parts name	Remarks	Choice	Step	Level	Cons	Qty	Rep. QTY
1		40006261		ASSY_AT_SOLENOID						1	
2		40006263		AT_SHAFT						1	
3		40006264		AT_SHAFT_HOLDER						1	
4		RC1700001KP		RETAINING RING						1	
5		40010514		DISK_STOPPER						1	
6		40010511		DISK_STOPPER_HOLDER_CAP						1	
7		14115554		HEAD_GROUND_CABLE_A_ASM.						1	
8		40010522		SHAFT_NUT						2	
9		SM0860400SN		SCREW						3	
10		SM6040860TP		SCREW M4 L=8						1	
11		SM6050802TP		SCREW M5X0.8 L=8						3	
12		SM8030412TP		SCREW						2	
13		SM8030412TP		SCREW						1	
14		SM80606A2TP		SCREW M6 L=6						1	
15		SM9040800SP		SCREW						1	
16		WS0410002KP		SPRING WASHER						1	
17		SL6040892TN		BOLT						2	
18		10006104		TAKE-UP SPRING					☆	1	
19		40010510		THREAD_TENSION_POST_BASE						1	
20		40010512		THREAD_TENSION_SHAFT_COLLAR						2	
21	R	32055402	40010477	THRUST COLLAR						1	1.00
22		40004252		UTT_SUSPENSION_SCREW_9						1	
23		40006265		ASSY_THREAD_TENSION_POST						1	
24		B2702210000		GUIDE PLATE						1	
25		B2703210000		BUSHING						1	
26		40003499		THREAD BREAK DETECTOR A						1	
27		40011143		ASSY_BTW						1	
28	R	26260109	26260000	BTW_BASE				*		1	1.00
29		26260208		BTW_CAM_PLATE				*		1	
30		26260307		BTW_BASE_SHAFT				*		1	
31		26260406		BTW_SHAFT_BASE				*		1	
32		26260505		BTW_CAM_LEVER				*		1	
33		26260604		BTW_WHEEL				*		1	
34		40011144		BTW_TORSION_SPRING				*		1	
35	R	26260802	26260000	BTW_BEARING_SPACER				*		1	1.00
36		40011145		BTW_SHAFT				*		1	
37	R	40011146	40089647	BTW_LEVER_SHAFT				*		1	1.00
38		40021933		BTW_LEVER				*		1	
39		26261206		BTW_SPACER				*		1	
40	R	26261305	26260000	BTW_BEARING				*		2	1.00
41		26261503		BTW_WHEEL_RUBBER				*	☆	1	
42		26261602		BOBBIN_SPRING				*	☆	1	
43		26261701		BTW_SPRING				*		1	
44		RC0560711KP		RETAINING RING				*		1	
45		RE0400000K0		E-RING 4				*		1	
46		WP0450826SC		WASHER 4.5X10X0.8				*		1	

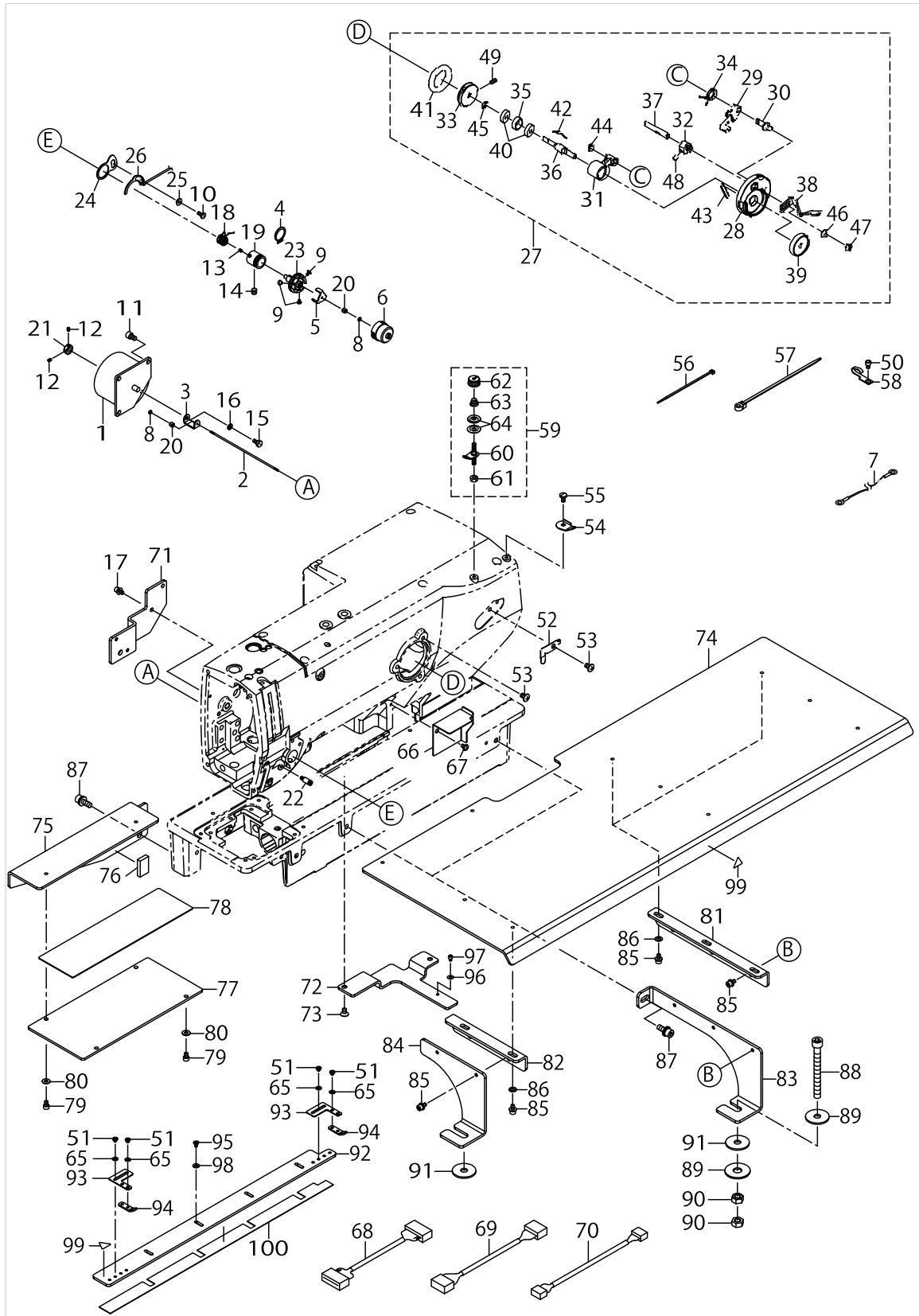
FRAME & MISCELLANEOUS COVER COMPONENTS (2)



FRAME & MISCELLANEOUS COVER COMPONENTS (2)

No.	Supply Code	Parts No.	Replacement	Parts name	Remarks	Choice	Step	Level	Cons	Qty	Rep. QTY
47		SM5040655SN		SCREW				*		1	
48		SM8050502TP		SCREW M5 L=5				*		1	
49		SM8040802TP		SCREW M4X8				*		2	
50		SM6040602TP		SCREW M4 L=6						2	
51		SM5030355SN		SCREW						8	
52		40037008		THREAD_CUTTER					☆	1	
53		SM0050801SC		SCREW						4	
54		D3162555B00		THREAD GUIDE						1	
55		SS7110840SP		SCREW 11/64-40 L=7.8						1	
56		EA9500B0100		CABLE BAND						12	
57		HX00151000A		CABLE BAND						2	
58		26230409		LUBRICATING OIL WICK STOPPER						3	
59		22529481		BOBBIN THREAD TENSION ASM.						1	
60		22529473		BOBBIN THREAD T- ENSION ROD ASM.				*		1	
61		NS6110310SP		NUT 11/64-40				*		1	
62		11072402		THREAD TENSION NUT				*		1	
63		11093606		THREAD TENSION SPRING				*		1	
64	R	B3214047000	22945802	BOBBIN WINDER TENSION DISC				*		2	1.00
65		WP0320501SC		WASHER M3						8	
66		40152566		ARM_COVER						1	
67		SM5040655SN		SCREW						1	
68		40153021		INT CORD D ASSY						1	
69		40153022		INT CORD E ASSY						1	
70		40153023		INT CORD F ASSY						1	
71		40153026		SWITCH_BRACKET						1	
72		40152578		BED_STUD_PLATE						1	
73		SM1050801SC		SCREW M5X0.8 L=8						2	
74		40152589		SUB_TABLE_A						1	
75		40152588		SUB_TABLE_B						1	
76		40039896		CUSHION						1	
77		40152584		SUB_TABLE_SUPPORT						1	
78		40153618		SUB_TABLE_SUPPORT_SHEET						1	
79		SM6040602TP		SCREW M4X0.7 L=6						4	
80		WP0450801SC		WASHER 4.5X10X0.8						4	
81		40152572		SUB_TABLE_A_SUPPORT_PLATE						2	
82		40152579		SUB_TABLE_A_SUPPORT_PLATE_B						1	
83		40152573		SUB_TABLE_A_MOUNTING_BASE_A						2	
84		40152574		SUB_TABLE_A_MOUNTING_BASE_B						1	
85		SL6040892TN		SCREW M4 L=8						16	
86		WP0520656SA		WASHER 5.2X9.5X0.6						8	
87		SL6061692TN		SCREW M6 L=16						4	
88		SM6087002TP		SCREW						2	
89		WP0852086SC		WASHER M8						4	
90		NM6080001SC		NUT M8X1.25 TYPE1						4	
91		GAK33032000		SOLENOID RUBBER						3	
92		40152570		GAUGE_220_Y						1	

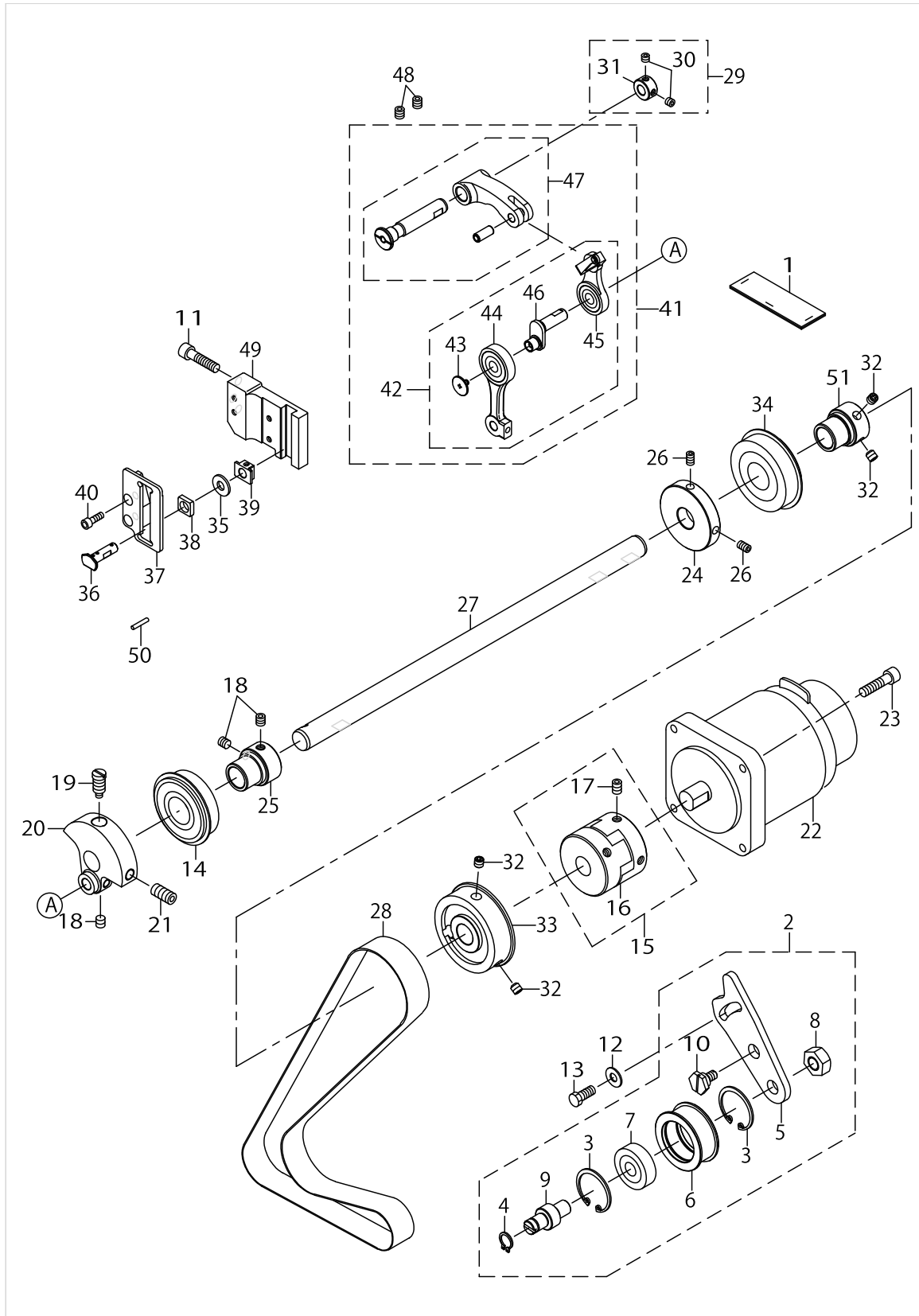
FRAME & MISCELLANEOUS COVER COMPONENTS (2)



FRAME & MISCELLANEOUS COVER COMPONENTS (2)

No.	Supply Code	Parts No.	Replacement	Parts name	Remarks	Choice	Step	Level	Cons	Qty	Rep. QTY
93		40152571		GAUGE_220_X						2	
94		40152581		GUIDE_Z						2	
95		SM5030655SN		SCREW M3X0.5 L=6						4	
96		WP0371016SD		WASHER 3.7X8X1						1	
97		SM6030402TP		SCREW M3X0.5 L=4						1	
98		WP0371016SD		WASHER 3.7X8X1						4	
99		CM300200001		ATTENTION SEAL						2	
100		40156274		SLIDE PROMOTING TAPE B						1	

MAIN SHAFT COMPONENTS



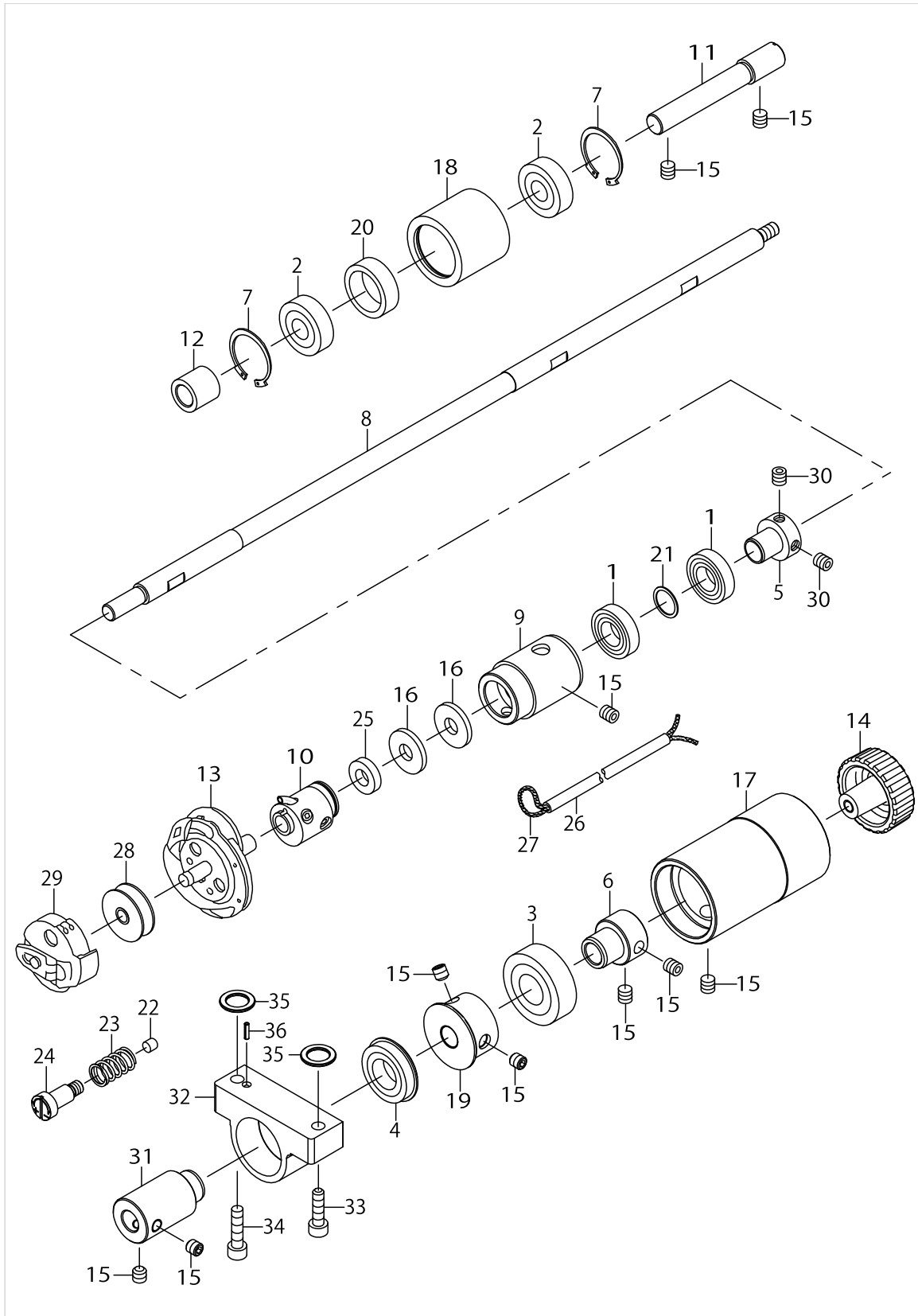
MAIN SHAFT COMPONENTS

No.	Supply Code	Parts No.	Replacement	Parts name	Remarks	Choice	Step	Level	Cons	Qty	Rep. QTY
1		40011517		NEEDLE_BAR_CRANK_FELT						1	
2		40153031		IDLER_ASSY_220						1	
3		RC3000002KP		RETAINING RING				*		2	
4		RC0100001KP		SNAP RING M10				*		1	
5		40152582		IDLER_FIXED_PLATE_220				*		1	
6		40153016		IDLER_PULLEY_220				*		1	
7		SB110000100		BEARING				*		1	
8		NM6100001SD		NUT M10				*		1	
9		40153010		IDLER_SHAFT				*		1	
10		40153017		IDLER_SCREW				*		1	
11		SM6062502TP		SCREW M6 L=25						3	
12		WP0621046SP		WASHER						1	
13		SM9061403CP		SCREW M6 L=14						1	
14		SB120002700		BEARING						1	
15		40051473		COUPLING ASM.						1	
16		40051474		COUPLING				*		1	
17		SM80608A2TP		SCREW M6 L=8				*		4	
18		SM80606A2TP		SCREW M6 L=6						4	
19		40004171		COUNTER_WEIGHT_SCREW						1	
20		40141716		COUNTER_WEIGHT						1	
21		SM8081652TP		SCREW M8 L=16						1	
22		40138137		IPM550W MOTOR						1	
23		SM6052002TP		SCREW M5 L=20						4	
24	R	40010534	40010533	BTW_DRIVING_WHEEL						1	1.00
25		23605207		BEARING HOLDER						1	
26		40010535		DRIVING_WHEEL_SCREW						2	
27		40154101		MAIN SHAFT 220						1	
28		40141719		TIMING_BELT						1	
29		40032269		THRUST COLLAR						1	
30		SM80506A2TP		SCREW M5 L=6				*		2	
31		CS1000881TP		THRUST COLLAR				*		1	
32		SM80606A2TP		SCREW M6 L=6						4	
33		40153020		SPROCKET_A_ADDI- TIONALLY_WORK_220						1	
34		SB120000800		BEARING						1	
35		40008423		WASHER						1	
36		40083369		NEEDLE_CRANK_SHAFT						1	
37		40022363		SQUARE_BLOCK_GUIDE_B						1	
38		40008426		SQUARE_BLOCK						1	
39		40004206		SQUARE_BLOCK						1	
40		SM6041202TP		SCREW M4X0.7 L=12						2	
41		40141725		THREAD_TAKE_UP_COMP						1	
42	R	40141726	40141725	THREAD_TAKE_UP_ASM_C				*		1	1.00
43	R	22918304	B1903552000	SCREW				*		1	1.00
44		40142880		NEEDLE_BAR_CRANK_ROD_ASM.				*		1	
45		40141727		THREAD_TAKE_UP_ASM_B				*		1	
46		40141730		NEEDLE_BAR_CRANK				*		1	

MAIN SHAFT COMPONENTS

No.	Supply Code	Parts No.	Replacement	Parts name	Remarks	Choice	Step	Level	Cons	Qty	Rep. QTY
47	R	40142878	40141725	TAKE_UP_CRANK_ASM.				*		1	1.00
48		SM80608A2TP		SCREW M6 L=8						2	
49		40006307		SQUARE_BLOCK_GUIDE						1	
50		CQ252000000		OIL WICK						.014	
51		23605207		MAIN SHAFT BEARING SUPPORT						1	

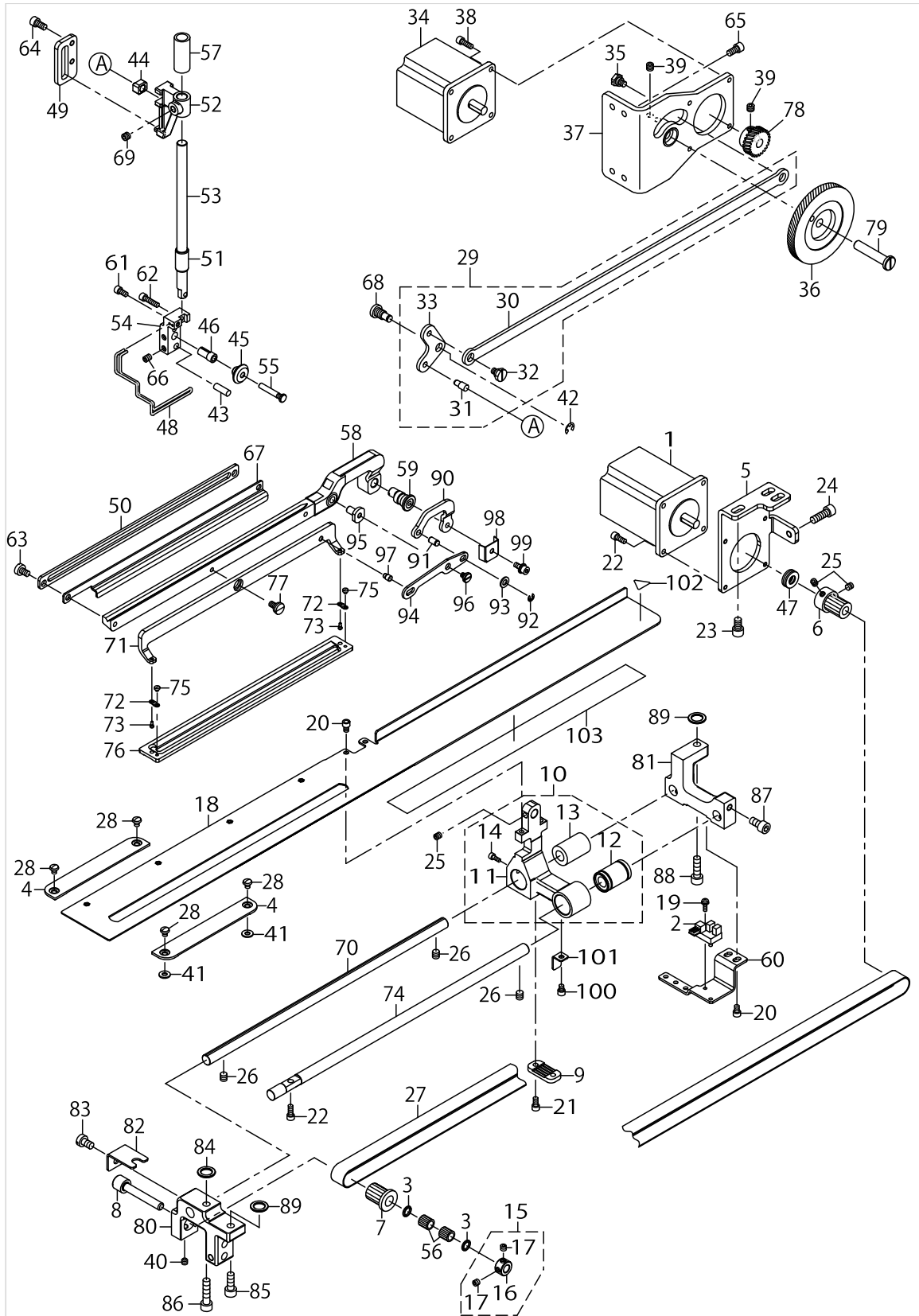
HOOK DRIVING SHAFT COMPONENTS



HOOK DRIVING SHAFT COMPONENTS

No.	Supply Code	Parts No.	Replacement	Parts name	Remarks	Choice	Step	Level	Cons	Qty	Rep. QTY
1		SB112001600		BEARING						2	
2		SB110000600		BALL BEARING						2	
3		SB115000200		BEARING						1	
4		SB115000600		BALL BEARING						1	
5		40004188		BEARING_SUPPORT						1	
6		23536204		BUSH						1	
7		RC2791218KP		RETAINING RING						2	
8		40004186		HOOK_DRIVING_SHAFT						1	
9		40004187		HOOK_DRIVING_SHAFT_METAL						1	
10		13729660		HOOK SLEEVE ASM.						1	
11		40153008		INTERMEDIATE_SPROCKET_SHAFT						1	
12		40153009		INTERMEDIATE_SPR- OCKET_WASHER						1	
13		13729066		HOOK COMPL.					☆	1	
14		40141739		LOWER_SHAFT_KNOB_B						1	
15		SM80606A2TP		SCREW M6 L=6						10	
16		40011355		OIL_FILTER						2	
17		40153005		BEARING_SUPPORT_REAR						1	
18		40004180		SPROCKET_B						1	
19		40141740		SPROCKET_C						1	
20		13710405		INTERMEDIATE SPROCKET RING						1	
21		40006317		WASHER						1	
22		40142753		ADJUSTING_PIN_B						1	
23		40142754		ADJUSTING_SPRING_B						1	
24		40153617		ADJUSTING SCREW 220						1	
25		40006320		FELT						1	
26		23630007		TUBE						1	
27		CQ202000000		OIL WICK						1	
28	R	B1811771000	40009148	BOBBIN					☆	1	1.00
29		13729769		BOBBIN CASE ASM.					☆	1	
30		SM8050502TP		SCREW M5 L=5						2	
31		40153004		BUSH						1	
32		40151936		BEARING_SUPPORT_CENTER						1	
33		SM6051802TP		SCREW M5 L=18						1	
34		SM6052002TP		SCREW M5 L=20						1	
35		101112A9		THRUST WASHER						2	
36		PS0200082KH		SPRING PIN						1	

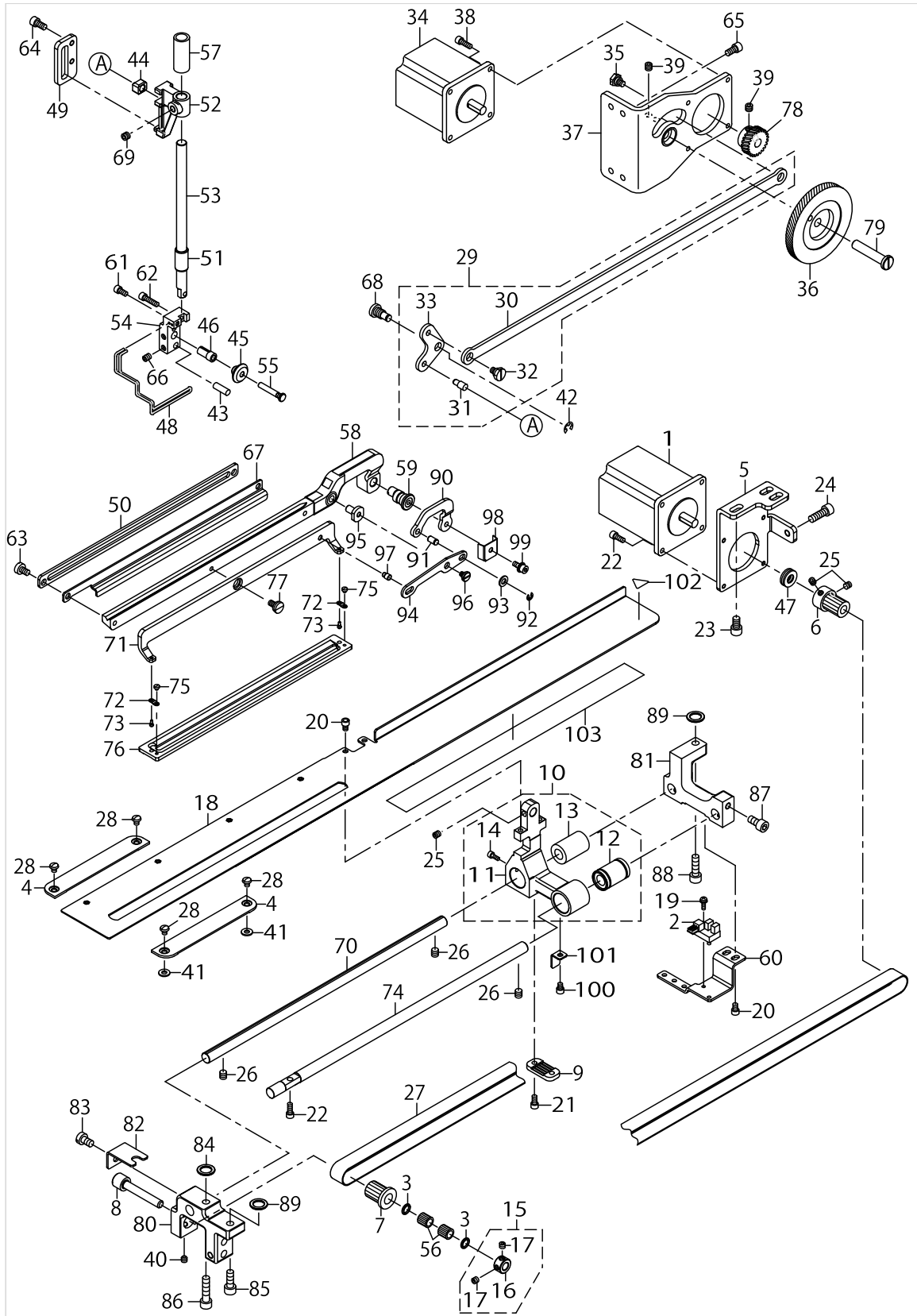
PRESSER & FEED COMPONENTS



PRESSER & FEED COMPONENTS

No.	Supply Code	Parts No.	Replacement	Parts name	Remarks	Choice	Step	Level	Cons	Qty	Rep. QTY
1		40139181		FEED MOTOR ASSY						1	
2		HD00057000A		PHOTO SENSOR						1	
3		22891204		BEARING SUPPORT						2	
4		40075297		THROAT_PLATE_BASE_COVER						2	
5		40152564		FEED_MOTOR_BRACKET						1	
6		40108754		PULLEY_B						1	
7		40004197		PULLEY_C						1	
8		40004198		SUPPORT_SHAFT						1	
9		40004200		TIMING_BELT HOLDER						1	
10		40153032		FEED_BASE_ASM_220						1	
11		40151935		FEED_BASE_220				*		1	
12		SB710000600		BEARING				*		1	
13		SB710000500		BEARING				*		1	
14		SM6030802TP		SCREW M3X0.5 L=8				*		1	
15		40010434		THRUST_COLLAR_ASM.						1	
16	R	40010435	40010434	THRUST_COLLAR				*		1	1.00
17		SM8050412TP		SCREW M5 L=4				*		2	
18		40156791		WORK_CLAMP_CARRIER_220						1	
19		SL4031091SC		SCREW M3 L=10						1	
20		SM6040602TP		SCREW M4 L=6						4	
21		SM6040802TP		SCREW M4X0.7 L=8						2	
22		SM6041002TP		SCREW M4 L=10						5	
23		SM6061002TP		SCREW M6 L=10						3	
24		SM6061802TP		SCREW M6 L=18						1	
25		SM8050502TP		SCREW M5 L=5						3	
26		SM80606A2TP		SCREW M6 L=6						3	
27		40141742		TIMING_BELT						1	
28		SM5040550TP		SCREW M4 L=5						4	
29		40142161		LIFTING_LINK_ASSY						1	
30		40141788		LINK_ROD_S				*		1	
31		40141801		LIFTING_LINK_PIN				*		1	
32		SD0800326TP		SHOULDER SCREW				*		1	
33		40142755		LIFTING_LINK				*		1	
34		40139182		CLAMP MOTOR ASSY						1	
35		SD0800326TP		SHOULDER SCREW						1	
36		40004289		ASSY PBL GEAR L						1	
37		40004267		ASSY_PBL_MOTOR_BASE						1	
38		SM6041202TP		SCREW M4X0.7 L=12						4	
39		SM8060552TP		SCREW M6 L=5						5	
40		SM80606A2TP		SCREW M6 L=6						1	
41		WP0451026SH		WASHER						2	
42		RE0500000K0		E-RING						1	
43		13127402		PIN (SHORT) C						1	
44		40141757		SQUARE_BLOCK						1	
45		40141755		SLIDE_ROLLER						1	
46		40141754		COLLAR						1	

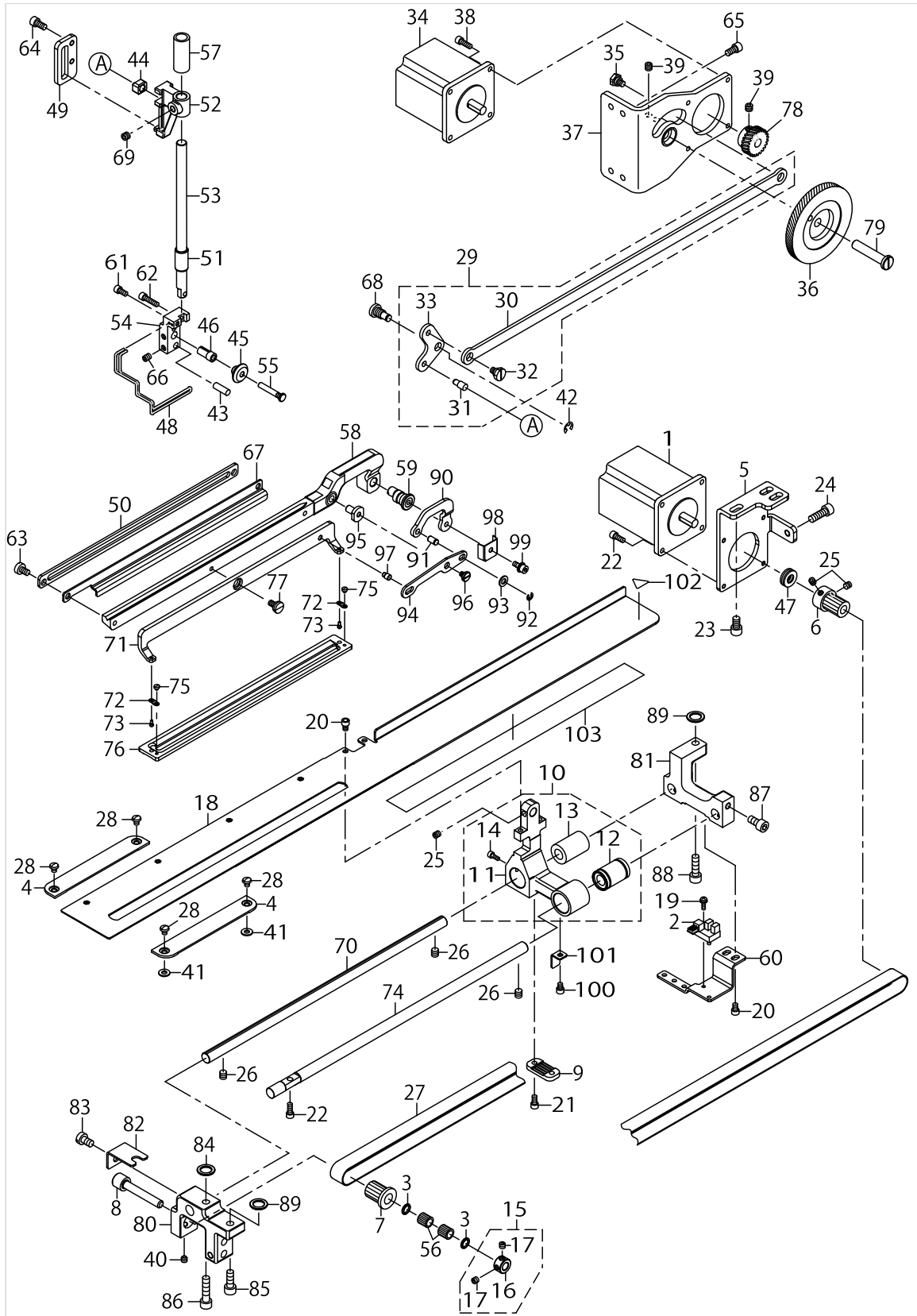
PRESSER & FEED COMPONENTS



PRESSER & FEED COMPONENTS

No.	Supply Code	Parts No.	Replacement	Parts name	Remarks	Choice	Step	Level	Cons	Qty	Rep. QTY
47		SB408000100		BEARING						1	
48		40004285		PBL_FINGER_GUARD					☆	1	
49		40141794		PBL_GUIDE						1	
50		40152585		LIFTING_PLATE_220						1	
51		40004279		PBL_METAL						1	
52		40141747		POSITION_BRACKET						1	
53		40141745		PRESSER_BAR						1	
54		40141753		PBL_ROLLER_BASE						1	
55		40141756		PBL_ROLLER_SHAFT						1	
56		SB307000200		BEARING						2	
57		40141746		METAL_U						1	
58		40151938		PBL_WORK_CLAMP_ARM_220						1	
59		40154395		PBL_WORK_CLAMP_- ARM_SHAFT_220						1	
60		40152568		FEED_SENSOR_PLATE_220						1	
61		SM6040802TP		SCREW M4X0.7 L=8						1	
62		SM6041602TP		SCREW M4X0.7 L=16						1	
63		SM6050800SP		SCREW M5 L=8						2	
64		SM6051002TP		SCREW M5X0.8 L=10						4	
65		SM6051002TP		SCREW M5X0.8 L=10						4	
66		SM8050602TP		SCREW M5 L=6						2	
67		40152565		UTT_CLOSE_CAM_220B						1	
68		40141748		LIFTING_LINK_SHAFT						1	
69		SM8060612TP		SCREW M6 L=6						1	
70		40153007		FEED_SHAFT						1	
71		40152587		WORK_CLAMP_CHECK HOLDER_220						1	
72		B1509761000		WORK CLAMP CHECK SPRING						2	
73		B151077100B		WORK CLAMP CHE- CKSPRINGSETPIN(B)						2	
74		40153006		FEED GUIDE SHAFT						1	
75		SS6060210SP		SCREW 3/32-56 L=1.9						2	
76		40156767		WORK_CLAMP_220					☆	1	
77		SD0790203SP		HINGE SCREW D=7.94 H=2						1	
78		40004291		PBL GEAR S						1	
79		40004275		PBL_GEAR_SHAFT						1	
80		40151937		FEED_SHAFT_BLOCK_A						1	
81		40151939		FEED_SHAFT_BLOCK_B						1	
82		40152567		L_BLOCK						1	
83		SM6061010TP		SCREW						1	
84		10111201		THRUST WASHER						1	
85		SM6061602TP		SCREW						1	
86		SM6062502TP		SCREW						1	
87		SM6061202TP		SCREW						1	
88		SM6062002TP		SCREW						1	
89		101112A9		THRUST WASHER 1.3						2	
90		40152576		PARALLEL_LINK_PIN_BASE						1	
91		40153024		PARALLEL_LINK_PIN_B						1	

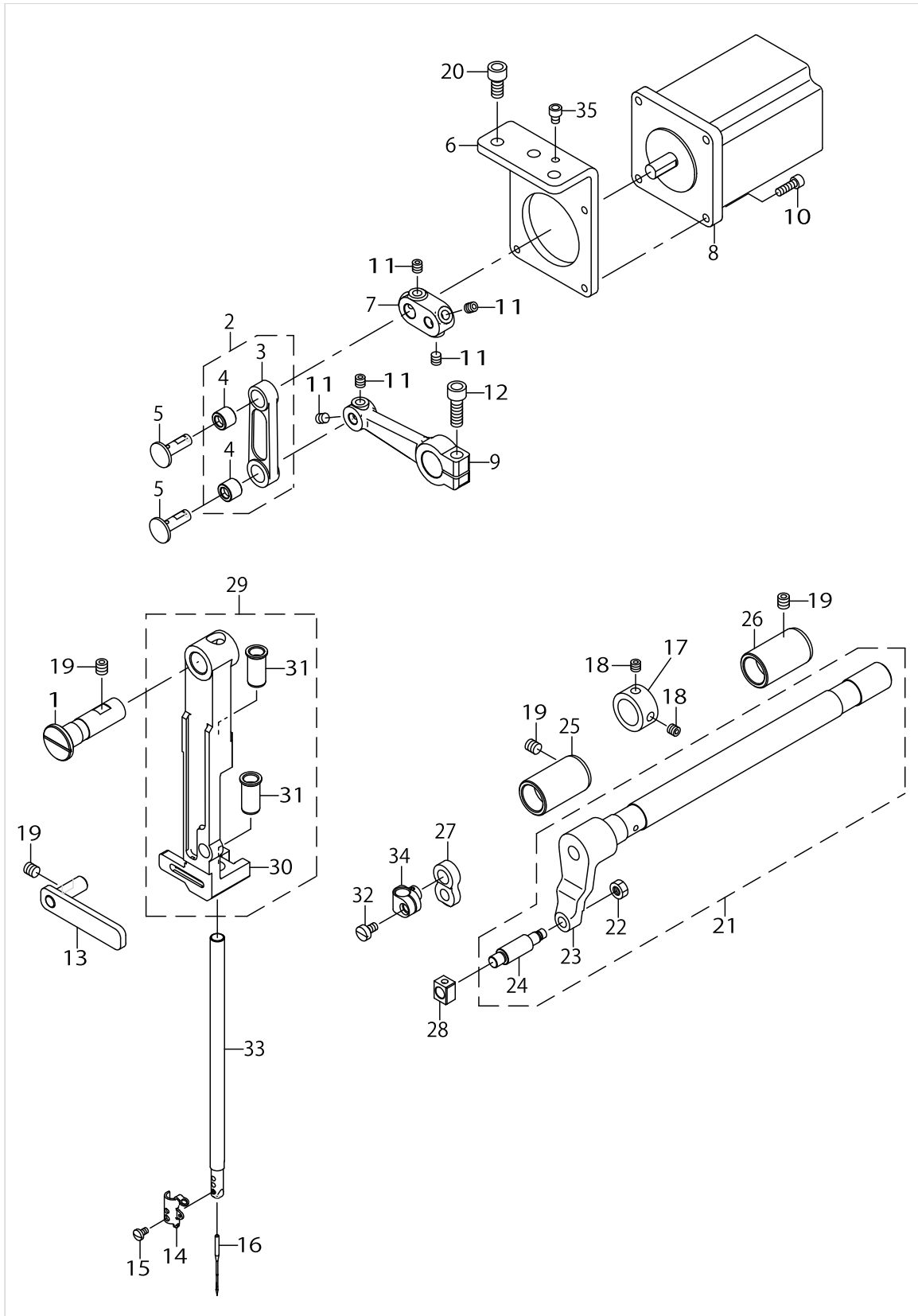
PRESSER & FEED COMPONENTS



PRESSER & FEED COMPONENTS

No.	Supply Code	Parts No.	Replacement	Parts name	Remarks	Choice	Step	Level	Cons	Qty	Rep. QTY
92		RE030000K0		E-RING 3						1	
93		WP0531000SD		WASHER M5						1	
94		40152577		PARALLEL_LINK_ARM						1	
95		40153013		PARALLEL_SCREW						1	
96		SD0600208TP		SHOULDER SCREW D=6 H=2						1	
97		40153012		PARALLEL_LINK_PIN						1	
98		40152569		GREASE_COVER						1	
99		SL6040892TN		BOLT						1	
100		SM6040502TP		SCREW M4X0.7 L=5						1	
101		40141744		SENSOR_SLIT_PLATE						1	
102		CM300200001		ATTENTION SEAL						1	
103		40154136		SLIDE_PROMOTING_TAPE_300						1	

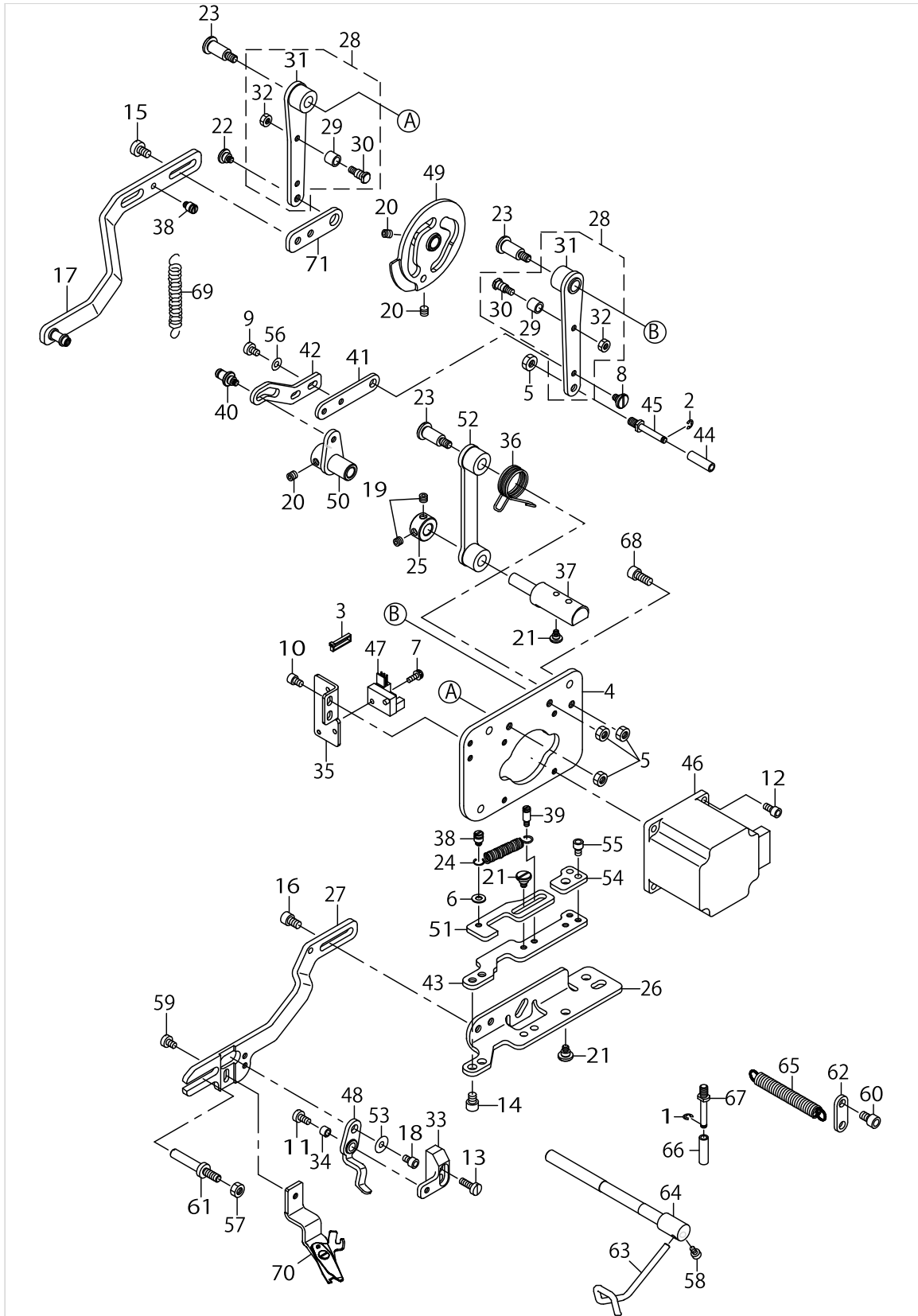
NEEDLE BAR ROCKING COMPONENTS



NEEDLE BAR ROCKING COMPONENTS

No.	Supply Code	Parts No.	Replacement	Parts name	Remarks	Choice	Step	Level	Cons	Qty	Rep. QTY
1		40088990		SUPPORT_SHAFT						1	
2		40004378		ZIGZAG ROD ASM.						1	
3	R	40004379	40004378	ZIGZAG ROD				*		1	1.00
4	R	23530405	23530355	SHAFT HOLDER LINK BUSH				*		2	1.00
5		40008671		P=JUNCTION SHAFT SELECTIVE PARTS	SELECTIVE PARTS					2	
6		40141758		ZIGZAG_DRIVE_UNIT_BASE						1	
7		40141759		MOTOR_LEVER						1	
8		40139180		NEEDLE SWING MOTOR ASSY						1	
9		40141760		ZIGZAG_LEVER_REAR						1	
10		SM6041202TP		SCREW M4X0.7 L=12						4	
11		SM8050502TP		SCREW M5 L=5						6	
12		SM6061802TP		SCREW M6 L=18						1	
13		40004218		FRAME SUPPORT PLATE ASM.						1	
14		13706403		NEEDLE BAR THREAD GUIDE					☆	1	
15		SM7030550TP		SCREW M3 L=4.5					☆	1	
16		MDP5J0B1100		NEEDLE DPX5 #11J					☆	1	
17		CS1501181TP		THRUST COLLAR D=15 W=11						1	
18		SM8050502TP		SCREW M5 L=5						2	
19		SM80606A2TP		SCREW M6 L=6						4	
20		SM6061202TP		SCREW M6 L=12						3	
21		40004224		ZIGZAG LEVER SHAFT ASM.						1	
22		NM6050001SP		NUT M5				*		1	
23	R	40004373	40004224	ZIGZAG LEVER SHAFT				*		1	1.00
24	R	40004374	40004224	ZIGZAG_STUD				*		1	1.00
25		40004216		BUSHING						1	
26		40004217		BUSHING REAR						1	
27		40004209		NEEDLE_BAR_ROD						1	
28		B1414232000		SQUARE BLOCK						1	
29		40004222		NEEDLE_BAR_FRAME_ASSY						1	
30		40004212		NEEDLE_BAR_FRAME				*		1	
31		40004213		NEEDLE BAR METAL				*		2	
32		SM6040750TP		SCREW M4 L=7						1	
33		40004215		NEEDLE BAR						1	
34		40004214		NEEDLE_BAR_CONNECTION						1	
35		SM6040502TP		SCREW M4X0.7 L=5						1	

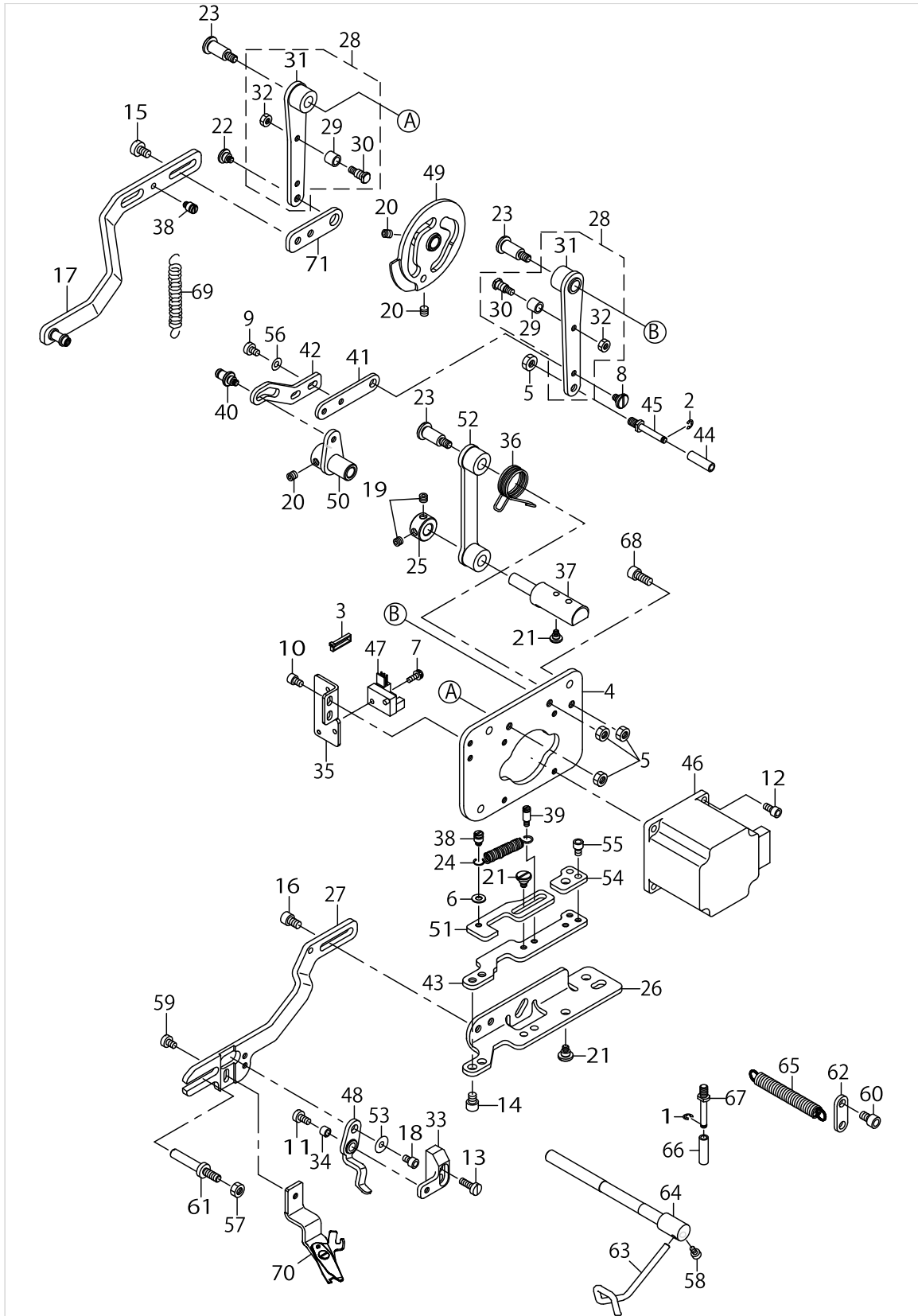
NEEDLE THREAD TRIMMER COMPONENTS



NEEDLE THREAD TRIMMER COMPONENTS

No.	Supply Code	Parts No.	Replacement	Parts name	Remarks	Choice	Step	Level	Cons	Qty	Rep. QTY
1		RE030000K0		E-RING 3						1	
2		RE030000K0		E-RING 3						1	
3		EA9500B0100		CABLE BAND						1	
4		40004293		UTT BASE PLATE						1	
5		NM6050001SP		NUT M5						4	
6		WP0430801SC		WASHER 4.3X9X0.8						1	
7		SL4031091SC		SCREW M3 L=10						1	
8		SD0600266TP		SHOULDER SCREW D=6 H=2.6						1	
9		SM6040600SP		SCREW M4 L=6						2	
10		SM6040602TP		SCREW M4 L=6						2	
11		SM6040860TP		SCREW M4 L=8						1	
12		SM6040802TP		SCREW M4X0.7 L=8						4	
13		SM6041200SP		SCREW M4 L=12						2	
14		SM6050652TP		HEXAGON SOCKET HEAD SCREW M5X6						2	
15		SM6050800SP		SCREW M5 L=8						2	
16		SM6050802TP		SCREW M5X0.8 L=8						2	
17		40004400		ASSY UTT RELEASE ARM B						1	
18		SM6040602TP		SCREW M4 L=6						1	
19		SM8050412TP		SCREW M5 L=4						2	
20		SM8050502TP		SCREW M5 L=5						4	
21		SD0600326TP		SHOULDER SCREW D=6 H=3.2						4	
22		SD0800406TP		SHOULDER SCREW D=8 H=4						1	
23		SD0801506TP		SHOULDER SCREW D=8 H=15						3	
24		11272507		SPRING						1	
25		CS0800881TP		THRUST COLLAR						1	
26		40004235		UTT ARM A						1	
27		40004238		UTT_ARM_B						1	
28		40101641		ASSY_UTT_CAM_ARM						2	
29		40004254		UTT CAM ROLLER				*		1	
30		40101638		UTT_CAM_ROLLER_SHAFT				*		1	
31		40101642		UTT_CAM_ARM				*		1	
32		NM6040000SN		NUT M4				*		1	
33		40004264		UTT RELEASE LEVER BASE						1	
34		40004265		UTT RELEASE LEVER SHAFT						1	
35		40141774		SENSOR_PLATE_UTT						1	
36		40004296		UTT_SUPPORT_ARM_SPRING						1	
37		40004234		UTT SUPPORT SHAFT						1	
38		40004248		UTT SUSPENSION SCREW 4						2	
39		40004252		UTT SUSPENSION SCREW 9						1	
40		40004247		UTT SUSPENSION SHOULDER SCREW						1	
41		40004244		UTT THREAD PULLING LINK A						1	
42		40004245		UTT THREAD PULLING LINK B						1	
43		40004236		UTT X-CAM						1	
44		40004297		UTTY-DRIVEROLLER						1	
45		40004298		UTT Y-DRIVE SHAFT						1	

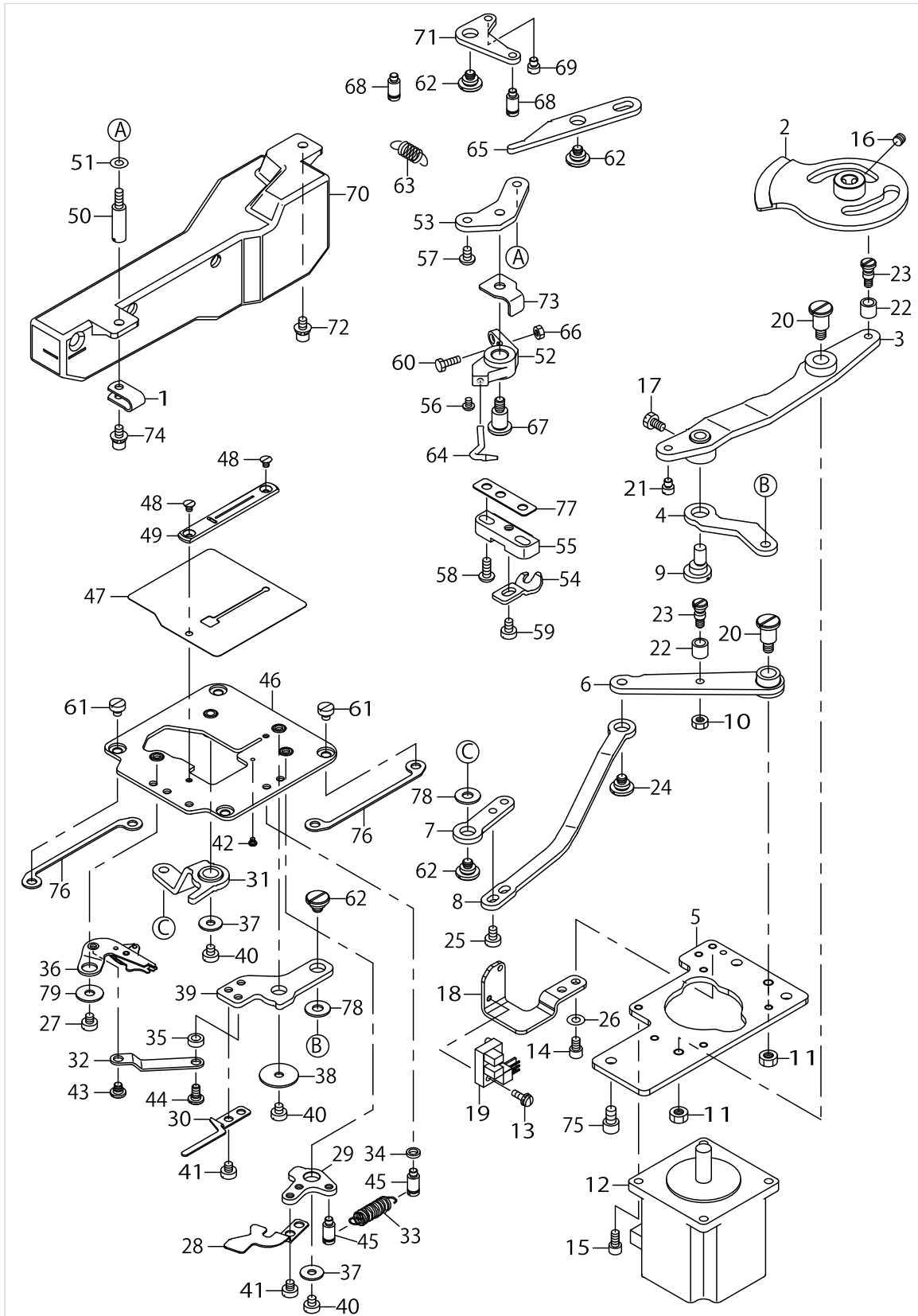
NEEDLE THREAD TRIMMER COMPONENTS



NEEDLE THREAD TRIMMER COMPONENTS

No.	Supply Code	Parts No.	Replacement	Parts name	Remarks	Choice	Step	Level	Cons	Qty	Rep. QTY
46		40140040		UTT TRIM MOTOR ASSY						1	
47		HD00057000A		PHOTO SENSOR						1	
48		40028634		ASSY_UTT_RELEASE_LEVER_B						1	
49		40142166		ASSY_UTT_DRIVE_CAM						1	
50		40004240		ASSY_UTT_THREAD_PULLING_ARM						1	
51		40015702		UTT_RATCH_PLATE_B						1	
52		40004232		ASSY_UTT_SUPPORT_ARM						1	
53		WP0431005SP		PLAIN WASHER 4.3X12X1						1	
54		40015674		UTT_RATCH_STOPPER						1	
55		SM6040602TP		SCREW M4 L=6						2	
56		WP0550800SP		WASHER 5.5X10X0.8						2	
57		NM6050001SP		NUT M5						1	
58		SM6040602TP		SCREW M4 L=6						1	
59		SM6040600SP		SCREW M4 L=6						1	
60		SM6050802TP		SCREW M5X0.8 L=8						1	
61		40028636		UTT_GUIDE_SHAFT_B						1	
62		40004249		UTT SUSPENSION PLATE						1	
63		40004243		UTT THREAD PULLING LEVER						1	
64		40004246		UTT THREAD PULLING SHAFT						1	
65		40004250		UTT TRIMMER CLOSE SPRING						1	
66		40004297		UTTY-DRIVEROLLER						1	
67		40004298		UTT Y-DRIVE SHAFT						1	
68		SM6051202TP		SCREW M5X0.8 L=12						3	
69		MAZ16013000		BUTTON SUPPORT LEVER SPRING						1	
70		40004255		ASSY_UTT_TRIMMER					☆	1	
71		40004294		UTT RELEASE ARM A						1	

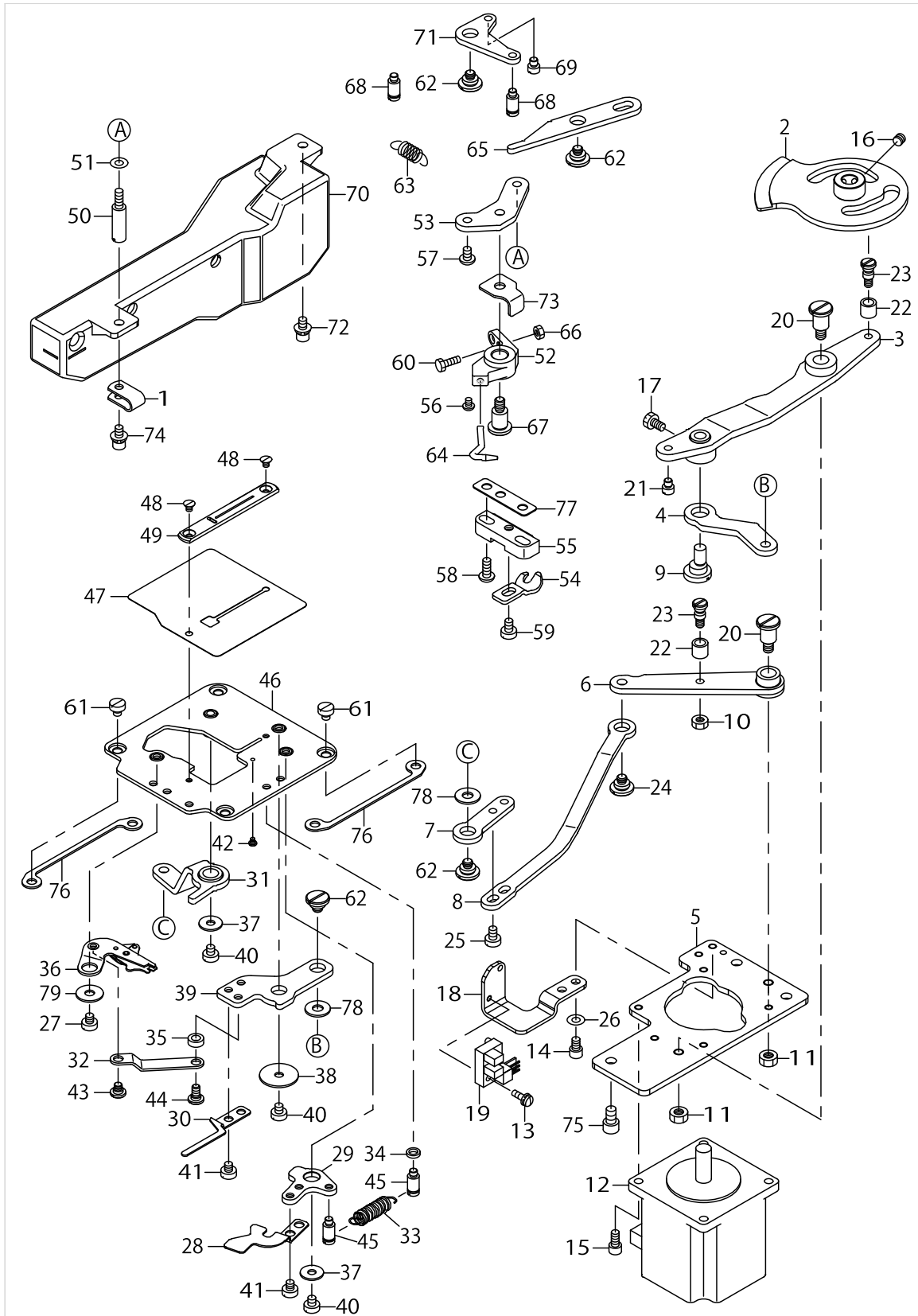
BOBBIN THREAD TRIMMER COMPONENTS



BOBBIN THREAD TRIMMER COMPONENTS

No.	Supply Code	Parts No.	Replacement	Parts name	Remarks	Choice	Step	Level	Cons	Qty	Rep. QTY
1		HX00150000A		CABLE CLAMP						1	
2		40142170		ASSY_BTT_DRIVE_CAM						1	
3	R	40004336	40101645	ASSY_BTT_DRIVE_LEVER						1	1.00
4		40004329		BTT_DRIVE_LINK						1	
5		40141778		BTT_DRIVE_UNIT_BASE						1	
6		40101649		BTT_RELEASE_LEVER						1	
7		40004343		BTT_RELEASE_LINK_F						1	
8		40004344		BTT_RELEASE_LINK_R						1	
9		13737408		LINK ROD						1	
10		NM6040001SD		NUT M4						1	
11		NM6050001SP		NUT M5						2	
12		40140041		DTTRIMMOTORASSY						1	
13		SL4031091SC		SCREW M3 L=10						1	
14		SM6040602TP		SCREW M4 L=6						2	
15		SM6040802TP		SCREW M4X0.7 L=8						4	
16		SM8050412TP		SCREW M5 L=4						2	
17		SM9040700SP		HEXAGONAL BOLT						1	
18		40141779		SENSOR_PLATE_BTT						1	
19		HD00057000A		PHOTO SENSOR						1	
20		SD0801006TP		SHOULDER SCREW D=8 H=10						2	
21		40004299		STOPPER_PIN						1	
22		40004254		UTT_CAM_ROLLER						2	
23		40101638		UTT_CAM_ROLLER_SHAFT						2	
24		SD0800296TP		SHOULDER SCREW D=8 H=2.9						1	
25		SM6040600SP		SCREW M4 L=6						2	
26		WP0430801SC		WASHER 4.3X9X0.8						2	
27		SM6040460TP		SCREW						1	
28		40022323		BT_CLAMP_B					☆	1	
29		40004309		BT_CLAMP_LEVER						1	
30		40022322		BT_PULLER_B					☆	1	
31		40004321		ASSY_BT_RELEASE_ARM						1	
32		40004308		BT_TRIMMER_LINK						1	
33		40029613		CLAMP_SPRING						1	
34		B1623180000		WASHER						1	
35		B3013141H0A		WASHER						1	
36		40004311		BT_TRIMMER					☆	1	
37		WP0431005SP		PLAIN WASHER 4.3X12X1						2	
38		WP0451016SP		WASHER 4.5X20X1						1	
39		40004306		BTT_LEVER						1	
40		SM6040450TP		SCREW M4 L=4						3	
41		SM6040450TP		SCREW M4 L=4						4	
42		SD0250101SP		HINGE SCREW						1	
43		SD0500166TP		SHOULDER SCREW D=5 H=1.6						1	
44		SD0500167TP		SHOULDER SCREW D=5 H=1.6						1	
45		40004327		SUSPENSION_SCREW						2	
46	R	40004301	40176885	ASSY_THROAT_PLATE_BASE						1	1.00

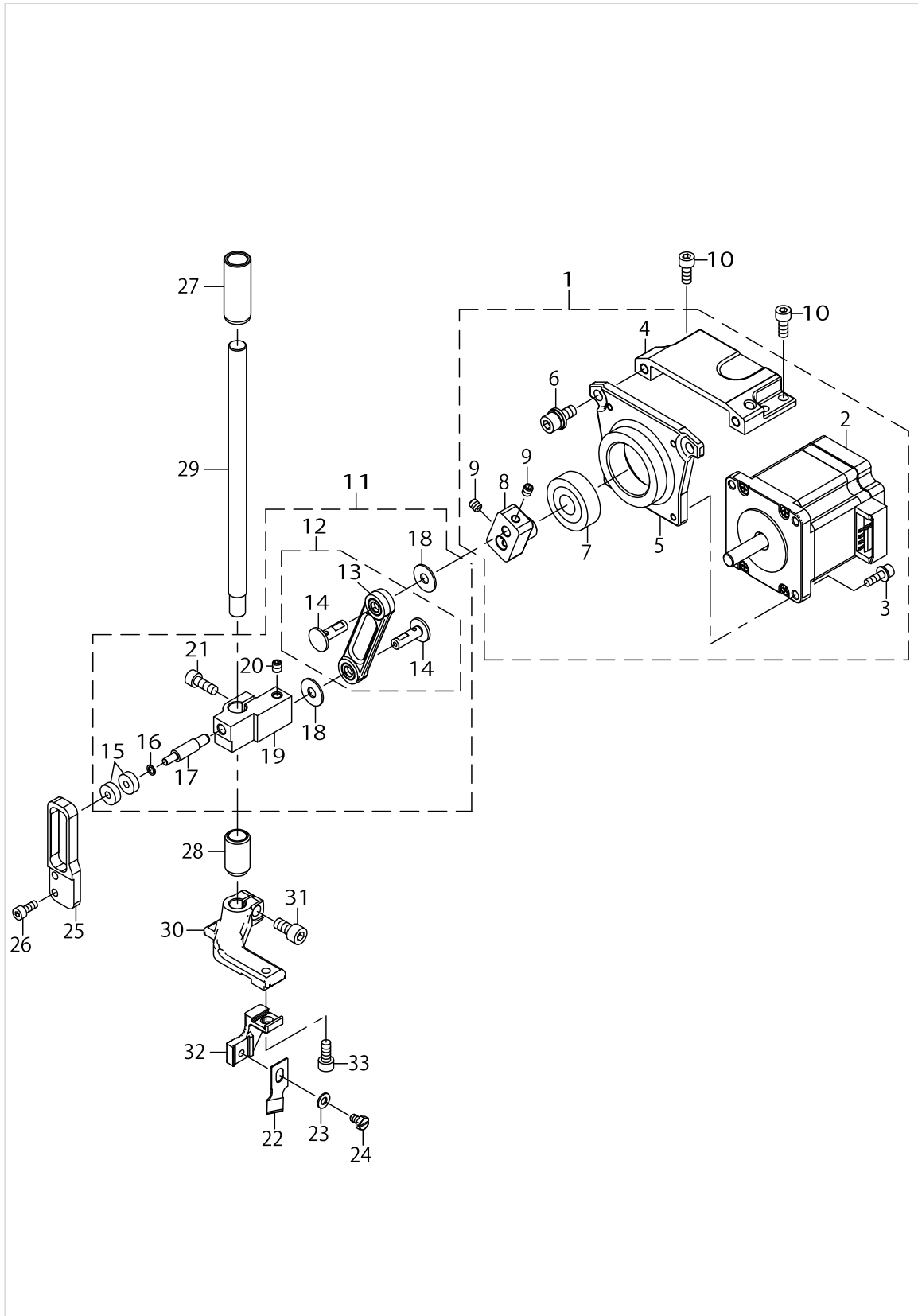
BOBBIN THREAD TRIMMER COMPONENTS



BOBBIN THREAD TRIMMER COMPONENTS

No.	Supply Code	Parts No.	Replacement	Parts name	Remarks	Choice	Step	Level	Cons	Qty	Rep. QTY
47		40004324		OIL_SHIELD						1	
48		SM1030400SP		SCREW M3 L=4						2	
49		40156792		THROAT PLATE 3B					☆	1	
50		40011205		STUD						1	
51		WP0430800SC		WASHER M4						1	
52		40004345		PICKER_BASE						1	
53		40004347		PICKER_BASE_FITTING_PLATE						1	
54		13727102		STOPPER A					☆	1	
55		40004325		POSITIONING_PLATE_BASE						1	
56		SM4030455SN		SCREW M3 L=4						1	
57		SM6040602TP		SCREW M4 L=6						1	
58		SM4041050TP		SCREW M4 L=10						2	
59		SM6040600SP		SCREW M4 L=6						1	
60		SM6041200SP		SCREW M4 L=12						1	
61		SM6040450TP		SCREW M4 L=4						4	
62		SD0800296TP		SHOULDER SCREW D=8 H=2.9						4	
63		40011327		PICKER_SPRING						1	
64		40004346		PICKER					☆	1	
65		40004348		PICKER_ACTUATING_LEVER						1	
66		NM6040001SD		NUT M4						1	
67		SD0801006TP		SHOULDER SCREW D=8 H=10						1	
68		40004327		SUSPENSION_SCREW						2	
69		40004299		STOPPER_PIN						1	
70		40141802		OIL_TANK						1	
71		40004349		PICKER_ACTUATING_L_LINK						1	
72		SL6040892TN		SCREW						4	
73		40004328		PICKER_BASE_STOPPER						1	
74		SL6041092TN		SCREW						1	
75		SM6050802TP		SCREW M5X0.8 L=8						3	
76		40011319		THROAT_PLATE_BASE_SPACER						2	
77		40004326		BTT_SPACER						1	
78		WP0551016SH		WASHER 5.5X13X1						2	
79		WP0501046SC		WASHER 5X13X1						1	

CLOTH CUTTING KNIFE COMPONENTS



CLOTH CUTTING KNIFE COMPONENTS

No.	Supply Code	Parts No.	Replacement	Parts name	Remarks	Choice	Step	Level	Cons	Qty	Rep. QTY
1		40142162		CLOTH CUTTING MOTOR ASSY						1	
2		40139183		CLOTH CUT MOTOR ASSY				*		1	
3		SL6041492TN		SCREW				*		4	
4		40141781		MOTOR_BASE_A				*		1	
5		40141780		MOTOR_BASE_B				*		1	
6		SL6061492TN		BOLT				*		2	
7	R	SB112000300	SB1120003C0	BEARING				*		1	1.00
8		40141782		KNIFE_DRIVING_BLOCK				*		1	
9		SM8050612TP		SCREW M5X6				*		3	
10		SM6051202TP		SCREW M5X0.8 L=12						4	
11		40142163		KNIFE_DRIVING_ASSY						1	
12		40142164		KNIFE_DRIVING_LINK_ASSY				*		1	
13		40141783		KNIFE_DRIVING_LINK_COMBINATION				*		1	
14		40010288		JUNCTION SHAFT C				*		2	
15	R	SB104000800	SB1040008C0	BEARING				*		2	1.00
16		40010489		AT_PIVOT_SCREW_WASHER				*		1	
17		40141786		SUPPORT_SHAFT				*		1	
18		40042089		THRUST WASHER				*		2	
19		40141785		KNIFE_BAR_BRACKET				*		1	
20		SM8050612TP		SCREW M5X6				*		1	
21		SM6051402TP		SCREW M5X0.8 L=14				*		1	
22		B2702047L00A		KNIFE 1/2					☆	1	
23		WP0430801SC		WASHER M4						1	
24		SM9040700SP		HEXAGONAL BOLT					☆	1	
25		40141787		SUPPORT_GUIDE						1	
26		SM6041002TP		SCREW M4 L=10						2	
27		40004398		KNIFE_BAR_BUSH						1	
28		40040276		KNIFE_BAR_LOWER_BUSHING						1	
29		40004394		KNIFE BAR						1	
30		40004396		KNIFE BAR BASE						1	
31		SM6061202TP		SCREW M6 L=12						1	
32		40004393		KNIFE FITTING BASE						1	
33		SM6051202TP		SCREW M5X0.8 L=12						1	

TABLE COMPONENTS

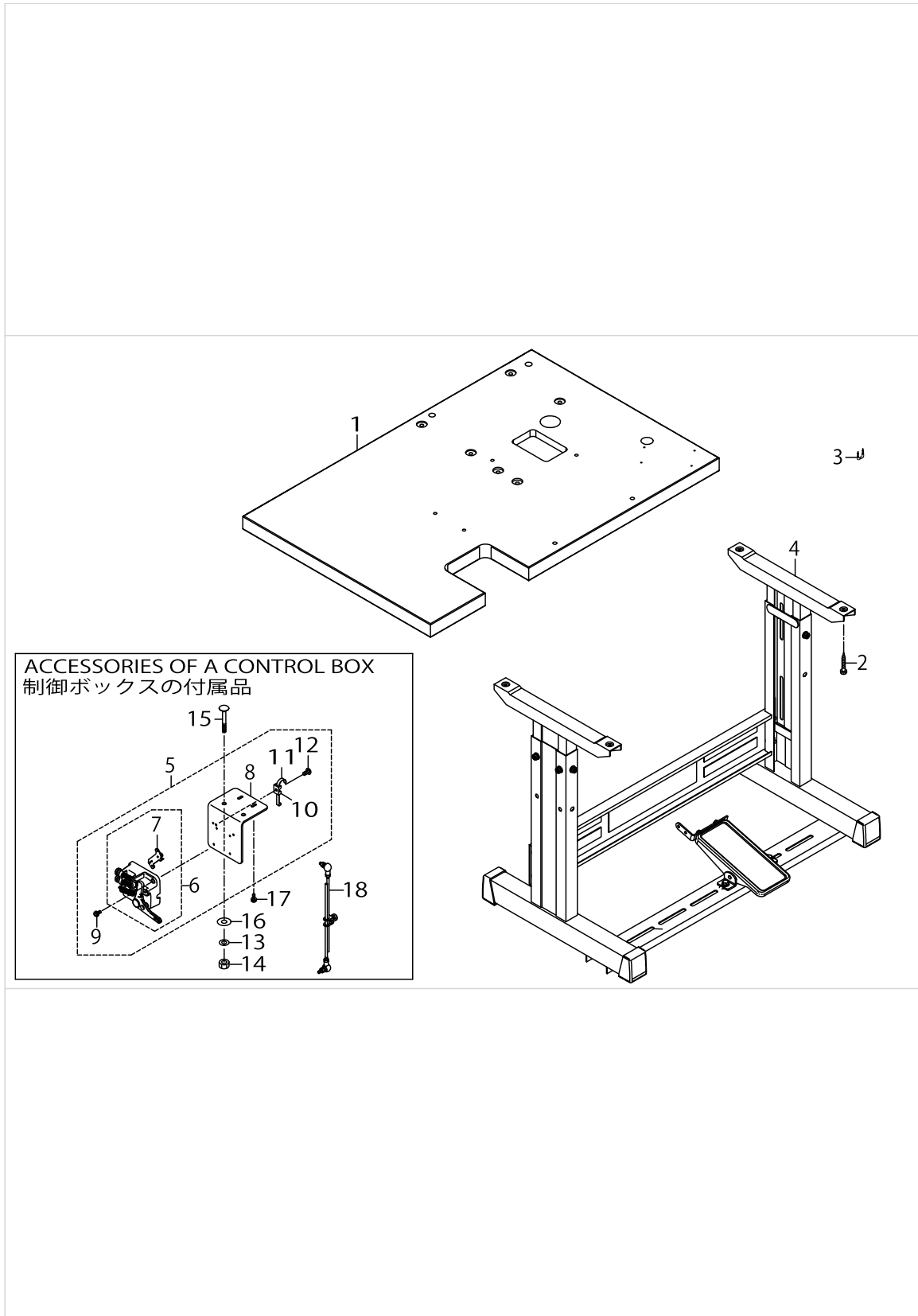
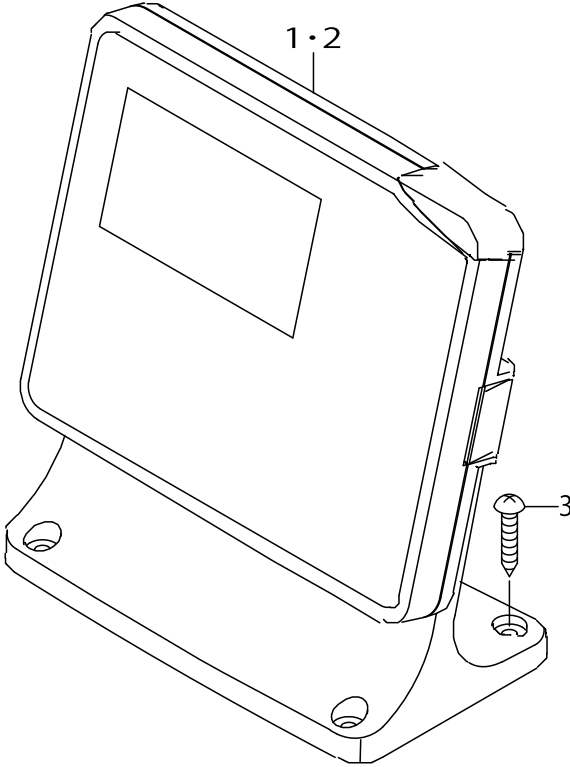


TABLE COMPONENTS

No.	Supply Code	Parts No.	Replacement	Parts name	Remarks	Choice	Step	Level	Cons	Qty	Rep. QTY
1		40153015		TABLE						1	
2		ST9053511SR		TAPPING SCREW M5X35						4	
3		D8204555D00		DRAWER STOPPER						1	
4		14191951		T-STAND COMPL.						1	
5		40094262		PEDAL SENSOR BASE ASSY						1	
6		40094259		PEDAL SENSOR ASM.				*		1	
7		40094260		SENSOR COIL HOLD ASSY				*		1	
8	R	40093423	40099913	SENSOR_BRACKET				*		1	1.00
9		SL4041091SC		SCREW M4 L=10				*		3	
10		KX000000210		SADDLE TYPE TIE MOUNT				*		1	
11		KX000000230		RELEASIBLE CABLE TIE				*		1	
12	R	SM4051001SC	SM4051001SN	SCREW M5 L=10				*		1	1.00
13		WS0820002KR		SPRING WASHER M8						2	
14		NM6080002SC		NUT M8						2	
15		MTSHJ100003		BOLT						2	
16		WP0851846SC		WASHER 8.5X22.0X1.8						2	
17		SL4051291SC		SCREW M5X0.8 L=12						2	
18		40042134		CONNECING_ROD_ASSY						1	

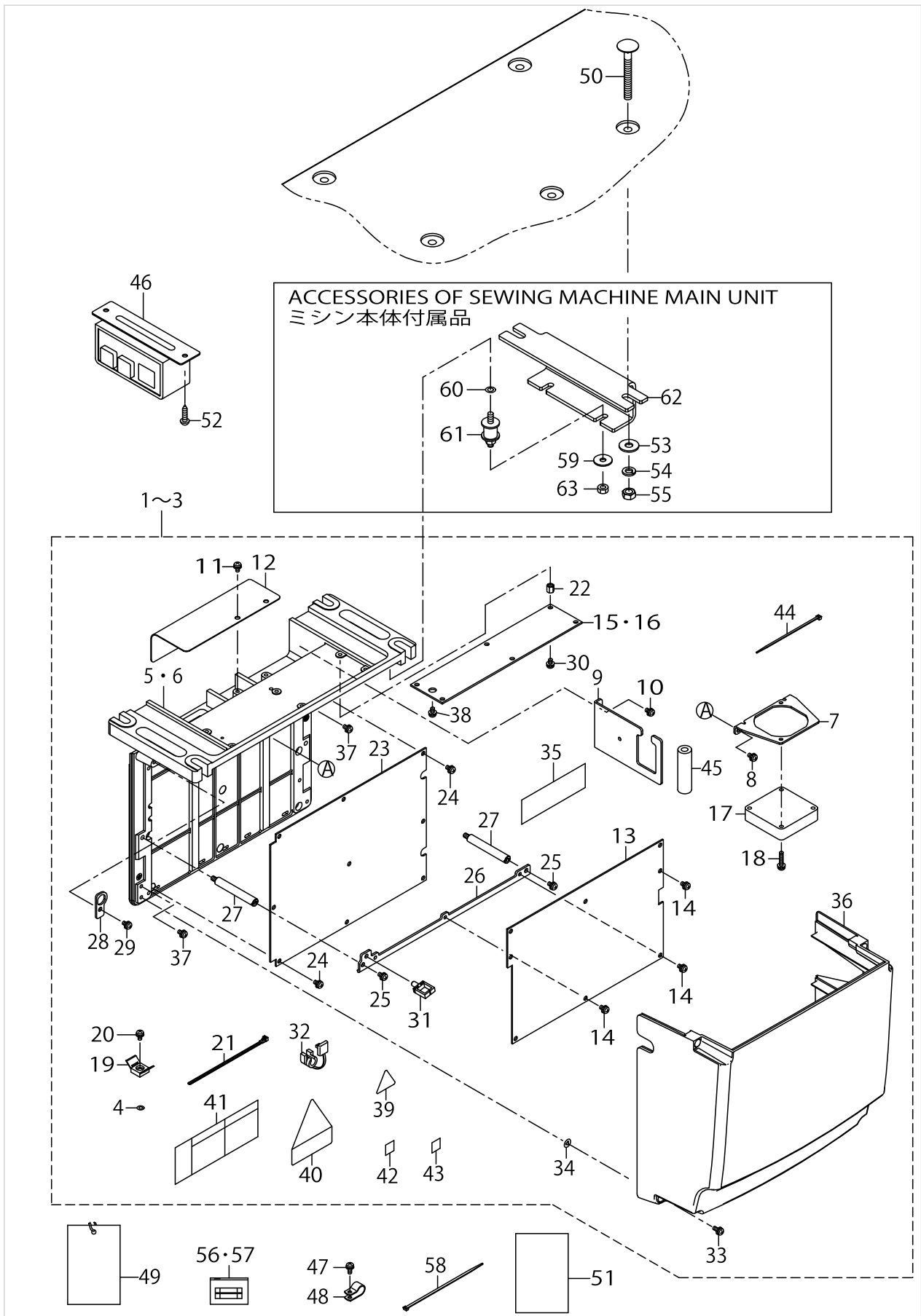
OPERATION BOX COMPONENTS (ACCESSORIES OF A CONTROL BOX)



OPERATION BOX COMPONENTS (ACCESSORIES OF A CONTROL BOX)

No.	Supply Code	Parts No.	Replacement	Parts name	Remarks	Choice	Step	Level	Cons	Qty	Rep. QTY
1		40141333		LBH OPERATION PANEL ASSY	FOR 1-PHASE 220~240V, 3-PHASE 200~240V, 1-PHASE 220~240V (FOR CHINA)					1	
2		40141334		LBH OPERATION PANEL ASSY CE	FOR 1-PHASE CE 220~240V					1	
3		SK3382001SE		SCREW D=3.8 L=20						4	

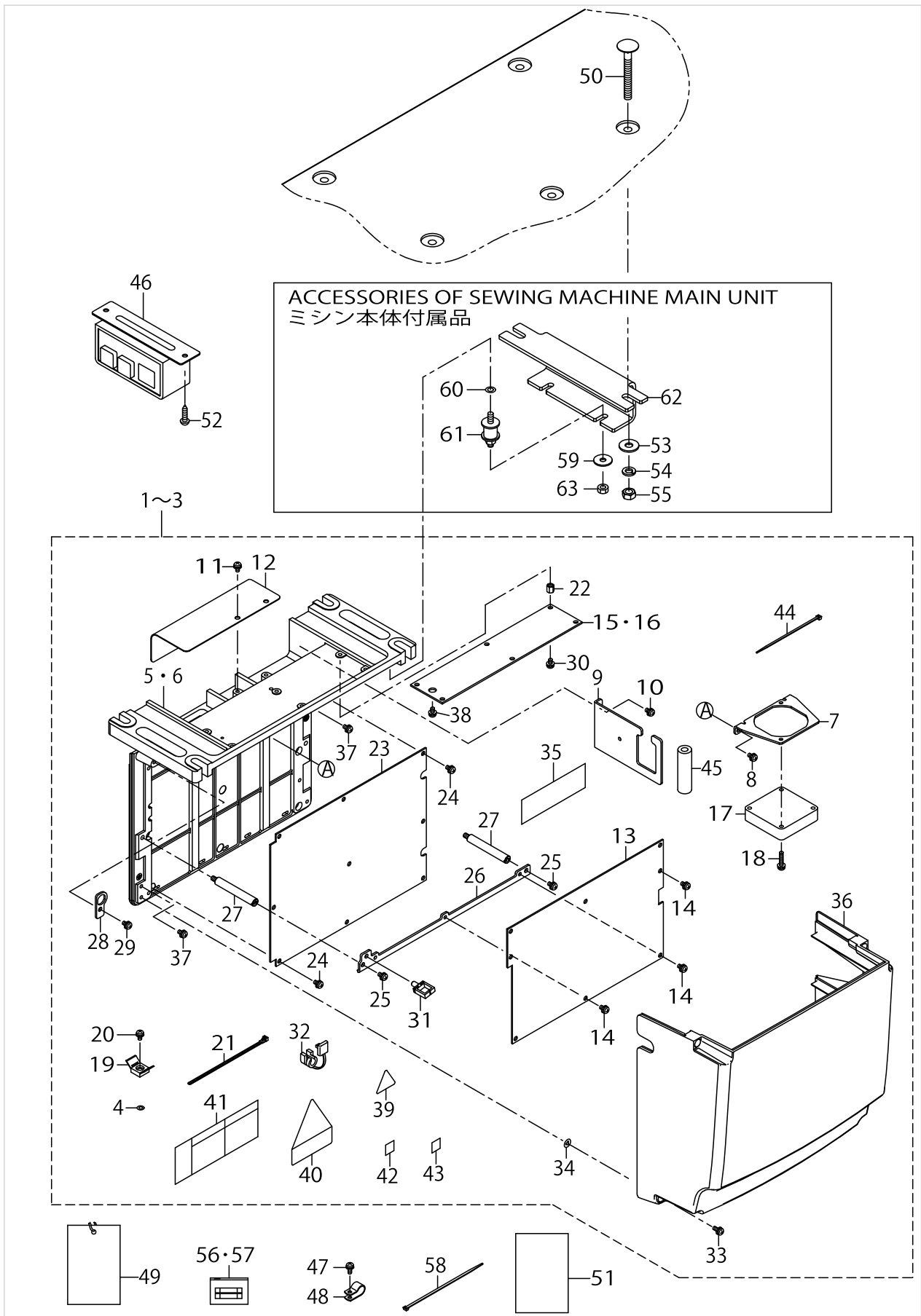
CONTROL BOX COMPONENTS



CONTROL BOX COMPONENTS

No.	Supply Code	Parts No.	Replacement	Parts name	Remarks	Choice	Step	Level	Cons	Qty	Rep. QTY
1		40141500		MC602 CTL BOX A ASM.	FOR 1-PH-ASE 220~240V					1	
2		40141501		MC602 CTL BOX B ASM.	FOR 3-PH-ASE 200~240V					1	
3		40141502		MC602 CTL BOX C ASM.	FOR 1-PH-ASE CE 220~240V					1	
4		WP0430800SC		WASHER M4	FOR 3-PH-ASE 200~-240V, 1-P-HASE CE 2-20~240V			*		1	
5		40143989		FRAME_B	FOR 3-PH-ASE 200~-240V, 1-P-HASE CE 2-20~240V			*		1	
6		40143988		FRAME_A	FOR 1-PH-ASE 220~240V			*		1	
7		40115874		FAN PLATE				*		1	
8		SL4040881SC		SCREW M4 L=8				*		2	
9		40115876		PLATE B				*		1	
10		SL4040881SC		SCREW M4 L=8				*		2	
11		SL4040881SC		SCREW M4 L=8				*		2	
12		40115879		FAN COVER				*		1	
13		40138920		MAIN PCB ASSY				*		1	
14		SL4040881SC		SCREW M4 L=8				*		8	
15		40105465		FLT-T PCB ASSY	FOR 3-PH-ASE 200~240V			*		1	
16	R	40105475	40145901	FLT-CE PCB ASSY	FOR 1-PH-ASE CE 220~240V			*		1	1.00
17		40111214		FAN MOTOR ASSY				*		1	
18		SL4042091SC		SCREW M4X0.7 L=20				*		2	
19		KX000000260		SADDLE TYPE TIE MOUNT				*		1	
20		SL4040881SC		SCREW M4 L=8				*		1	
21		HX00292000A		CONNECTING PARTS				*		1	
22		HX00339000M		SPACER	FOR 3-PH-ASE 200~-240V, 1-P-HASE CE 2-20~240V			*		6	
23		40142267		SDC PCB ASSY				*		1	
24		SL4041081SC		SCREW M4 L=10				*		4	
25		SL4040881SC		SCREW M4 L=8				*		2	
26		40115877		MAIN PLATE				*		1	
27		40143990		STUD				*		2	
28		40115878		PLATE C				*		1	
29		SL4040881SC		SCREW M4 L=8				*		1	
30		SL4040881SC		SCREW M4 L=8	FOR 3-PH-ASE 200~-240V, 1-P-HASE CE 2-20~240V			*		6	
31		HX00222000D		WIRE SADDLE				*		1	
32		KX000000320		BUSH				*		1	
33		SL4041281SC		SCREW M4X0.7 L=12				*		4	
34		M8002430000		STOPPER				*		4	
35		40114398		MAIN COOL SHEET				*		2	

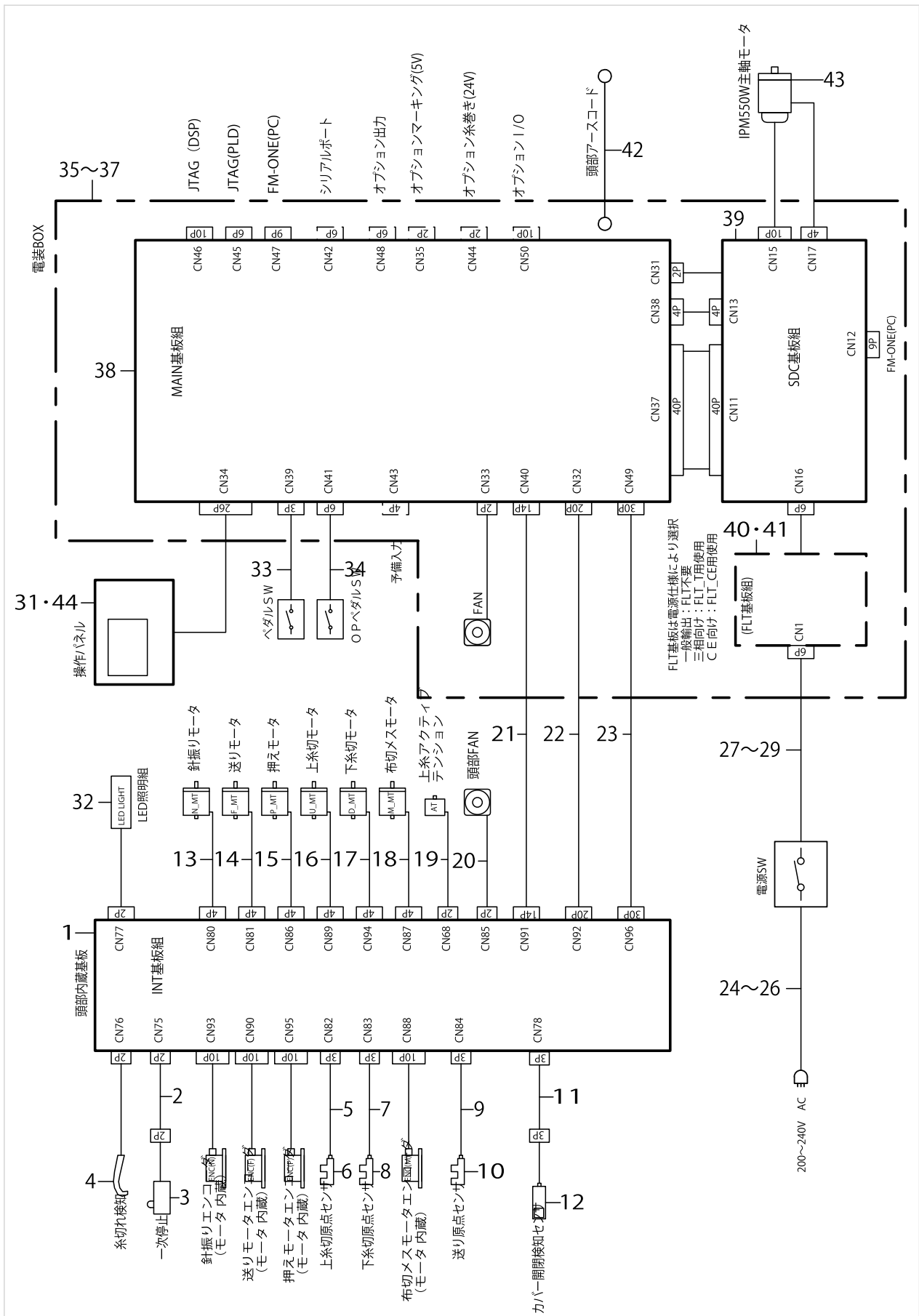
CONTROL BOX COMPONENTS



CONTROL BOX COMPONENTS

No.	Supply Code	Parts No.	Replacement	Parts name	Remarks	Choice	Step	Level	Cons	Qty	Rep. QTY
36		40114136		COVER				*		1	
37		SL4040881SC		SCREW M4 L=8				*		3	
38		SL4030881SC		SCREW M3 L=8	FOR 3-PH-ASE 200~240V			*		1	
39		CM300100001		LABEL	FOR 1-PH-ASE 220~-240V, 1-P-HASE CE 2-20~240V, 1-PHASE 220~240V (FOR CHINA)			*		1	
40		CM300400602		VOLTAGE CAUTION LABEL L=25				*		1	
41		CM300100402		VOLTAGE DANGER LABEL 3(SMALL)	FOR 3-PH-ASE 200~240V			*		1	
42		CM600100101		WEEE MARK LABEL S	FOR 1-PH-ASE CE 220~240V			*		1	
43		40150131		EAC_MARK_LABEL_S	FOR 1-PH-ASE CE 220~240V			*		1	
44		EA9500B0100		CABLE BAND				*		1	
45	D	E8760452S00		TUBE	FOR 3-PH-ASE 200~-240V, 1-P-HASE CE 2-20~240V			*		0.055	
46		40113427		POWER SWITCH						1	
47		SL4041091SC		SCREW M4 L=10						2	
48		HX00150000D		CABLE CLIP						2	
49		M300451100A		VOLTAGE INDICATION CARD A						1	
50		MTSHJ100003		BOLT						4	
51		40126054		CORE SET UP MANUAL						1	
52		SK3512001SE		WOOD SCREW D=5.1 L=20						2	
53		WP0852086SC		WASHER M8						4	
54		WS0820002KR		SPRING WASHER M8						4	
55		NM6080002SC		NUT M8						4	
56		HF0013050P0		FUSE 5A					☆	1	
57		HF003000200		FUSE 2A (220/240V)					☆	1	
58		EA9500B0200		CABLE BAND 150						2	
59		WP0651646SC		WASHER						4	
60		WT0640001KN		TOOTH WASHER						1	
61	R	40147891	40165702	RUBBER_CUSHION		A				4	1.00
61	R	40147891	NM6060001SC	RUBBER_CUSHION		A				4	1.00
61	R	40147891	WP0651646SC	RUBBER_CUSHION		A				4	2.00
62		40142969		RUBBER CUSHION BRKT						2	

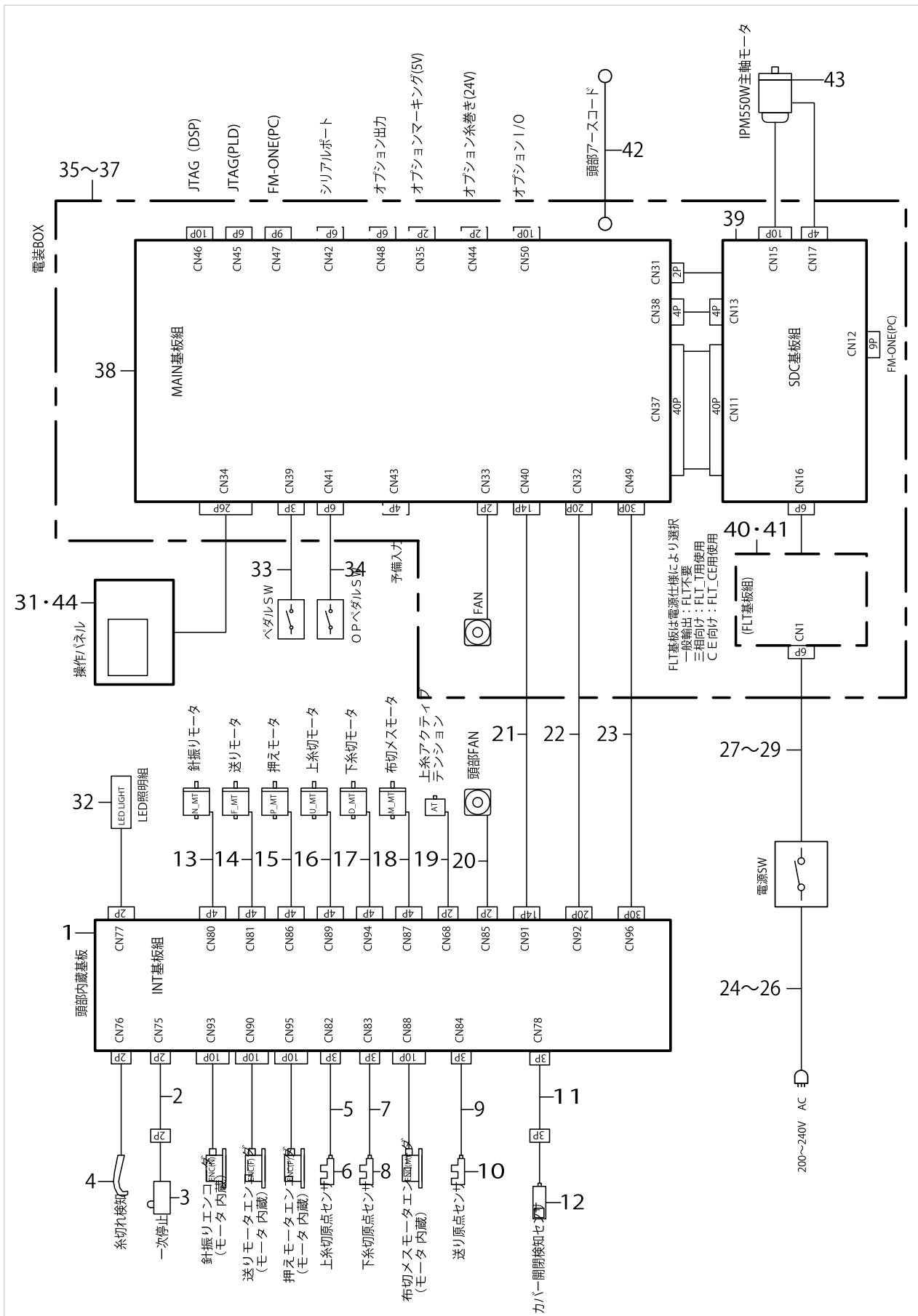
WIRING DIAGRAM



WIRING DIAGRAM

No.	Supply Code	Parts No.	Replacement	Parts name	Remarks	Choice	Step	Level	Cons	Qty	Rep. QTY
1		40138611		INT PCB ASSY						1	
2		40005400		PAUSE SWITCH JOINT CORD						1	
3		40029632		STOP SW ASM						1	
4		40003499		THREAD BREAK DETECTOR A						1	
5		40141480		UT TRIM SENSOR CORD ASSY						1	
6		HD00057000A		PHOTO SENSOR						1	
7		40141481		DT TRIM SENSOR CORD ASSY						1	
8		HD00057000A		PHOTO SENSOR						1	
9		40141482		FEED SENSOR CORD ASSY						1	
10		HD00057000A		PHOTO SENSOR						1	
11		40141484		COVER SENSOR RE-LAY CORD ASSY						1	
12		40141483		COVER SENSOR ASSY						1	
13		40139180		NEEDLE SWING MOTOR ASSY						1	
14		40139181		FEED MOTOR ASSY						1	
15		40139182		CLAMP MOTOR ASSY						1	
16		40140040		UTTRIMMOTORASSY						1	
17		40140041		DTTRIMMOTORASSY						1	
18		40139183		CLOTH CUT MOTOR ASSY						1	
19		40006261		ASSY_AT_SOLENOID						1	
20		40111214		FAN MOTOR ASSY						1	
21		40153023		INT CORD F ASSY						1	
22		40153022		INT CORE E ASSY						1	
23		40153021		INT CORD D ASSY						1	
24		40023371		SINGLE PHASE POWER CORD ASSY	FOR 1-PHASE 220V~240V					1	
25		M90175800A0		POWER CABLE ASM.	FOR 3-PHASE 200V~240V					1	
26		40005390		JE POWER CABLE ASM.	FOR CE 220V~240V					1	
27		40141487		AC POWER CORD A ASM.	FOR 1-PHASE 220V~240V					1	
28		40141488		AC POWER CORD B ASM.	FOR 3-PHASE 200V~240V					1	
29		40141489		AC POWER CORD C ASM.	FOR CE 220V~240V					1	
30		40113427		POWER SWITCH						1	
31		40141333		LBH OPERATION PANEL ASSY	FOR 1-PHASE 220~240V, 3-PHASE 200~240V, 1-PHASE 220~240V (FOR CHINA)					1	
32		40141706		ASSY_LED_DEVICE						1	
33		40094262		PEDAL SENSOR BASE ASSY						1	
34		40003491		ASSY_4_POSITION_PEDAL						1	
35		40141500		MC602 CTL BOX A ASM.						1	
36		40141501		MC602 CTL BOX B ASM.						1	
37		40141502		MC602 CTL BOX C ASM.						1	
38		40138920		MAIN PCB ASSY						1	
39		40142267		SDC PCB ASSY						1	

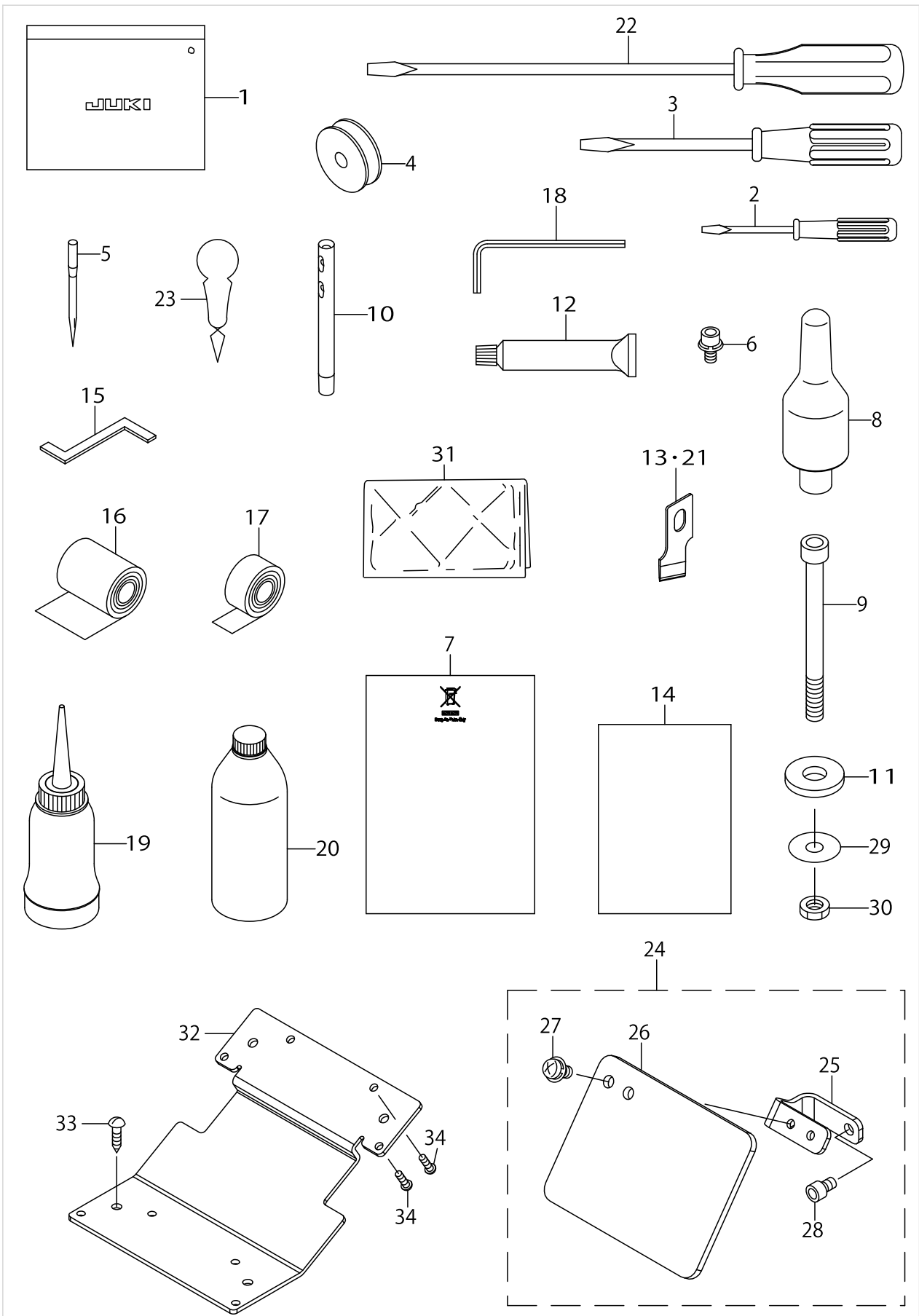
WIRING DIAGRAM



WIRING DIAGRAM

No.	Supply Code	Parts No.	Replacement	Parts name	Remarks	Choice	Step	Level	Cons	Qty	Rep. QTY
40		40105465		FLT-T PCB ASSY	FOR 3-PH-ASE 200V~240V					1	
41	R	40105475	40145901	FLT-CE PCB ASSY	FOR CE 220V~240V					1	1.00
42		14115554		HEAD GROUND CABLE A ASM.						1	
43		40138137		IPM550W MOTOR						1	
44		40141334		LBH OPERATION PANEL ASSY CE	FOR 1-PH-ASE CE 220~240V					1	

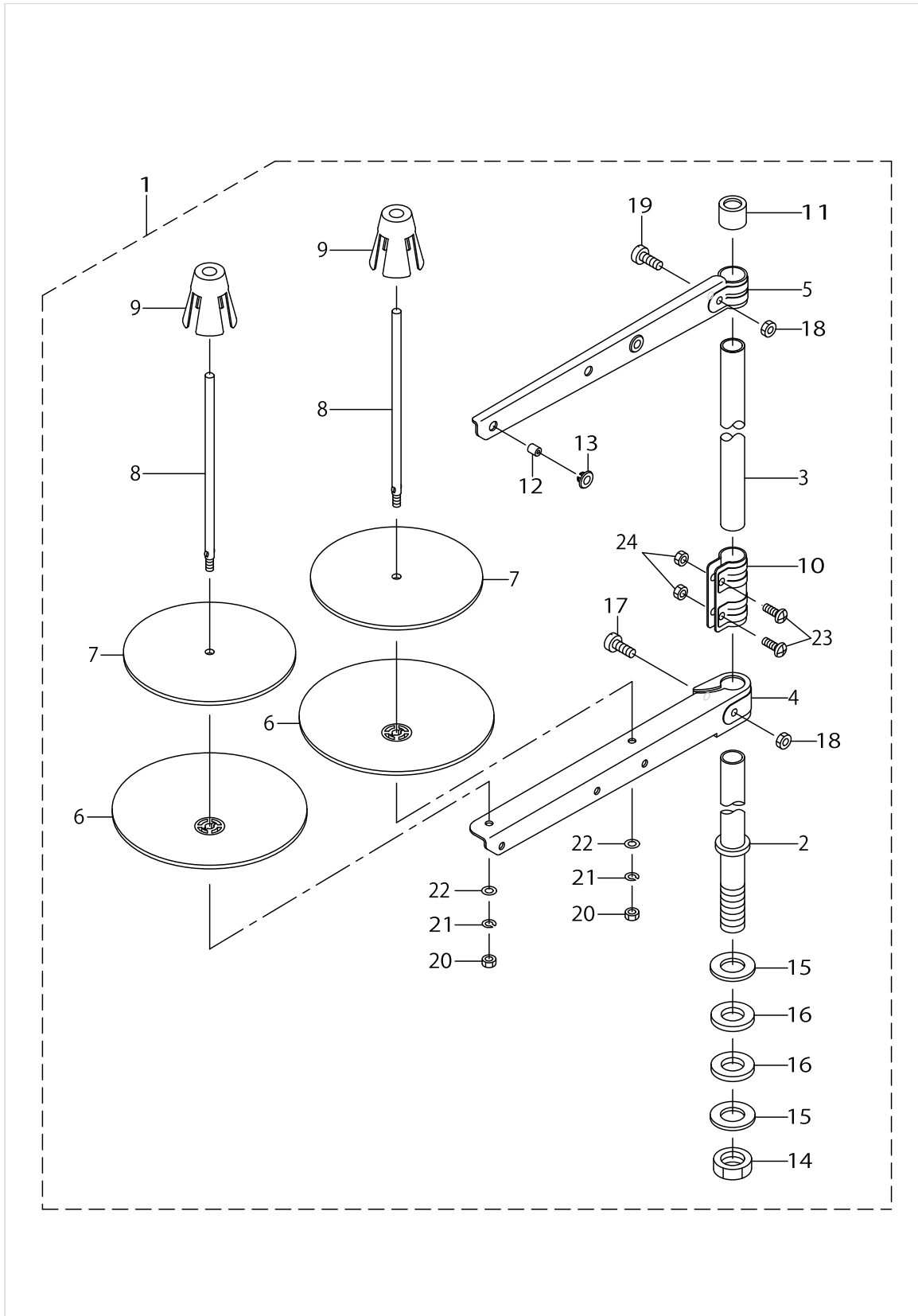
ACCESSORIE PARTS COMPONENTS



ACCESSORIE PARTS COMPONENTS

No.	Supply Code	Parts No.	Replacement	Parts name	Remarks	Choice	Step	Level	Cons	Qty	Rep. QTY
1		22932800		ACCESSORIE BAG						1	
2		22933204		SCREW DRIVER SMALL						1	
3		22933105		SCREW DRIVER MIDDLE						1	
4		40009148		BOBBIN					☆	1	
5	R	MDP5J0B1102	MDP5J0B1100	NEEDLE DPX5 #11J-2					☆	1	1.00
6		SL6040892TN		BOLT						1	
7		CM600100201		WEEE INFORMATION SHEET						1	
8		14101208		HEAD SUPPORT BAR						1	
9		SM6067052TP		HEXAGON BOLT						4	
10		22502504		THREAD GUIDE BAR						1	
11		D6056555B00		RUBBERCUSHION(B)						4	
12		40006323		JUKI GREASE A TUBE					☆	1	
13		B2702047K00A		KNIFE 3/8					☆	1	
14		29180403		EC PRODUCTION DECLARATION						1	
15		40156793		TIMING GAUGE						1	
16		40044824		SLIDE_PROMOTING_TAPE						1	
17		40066088		TAPE						.4	
18		J106600000D		HEXAGONAL WRENCH KEY						1	
19		B91210120A0		OILER ASM.						1	
20		MDFRX1200C0		NEW DEFRIX OIL NO.1(200ML)					☆	1	
21		B2702047M00A		KNIFE 5/8					☆	1	
22		22933006		SCREW DRIVER LARGE						1	
23		B9107761000		THREAD PASSING INSTRUMENT					☆	1	
24		40142172		ASSY_SAFETY_PLATE_B						1	
25		40141799		SAFETY_PLATE_BASE					*	1	
26		40141798		SAFETY_PLATE					*	1	
27		SL4040891SC		SCREW M4 L=8					*	2	
28		SM6040602TP		SCREW M4 L=6					*	1	
29		WP0612056SD		WASHER 6.1X18.5X2						4	
30		NM6060001SD		NUT M6						8	
31		26234005		VINYL COVER						1	
32		40154496		PANEL_PLATE						1	
33		SK3512001SE		WOOD SCREW D=5.1 L=20						2	
34		ST4040851SN		TAPPING SCREW M4X8						4	

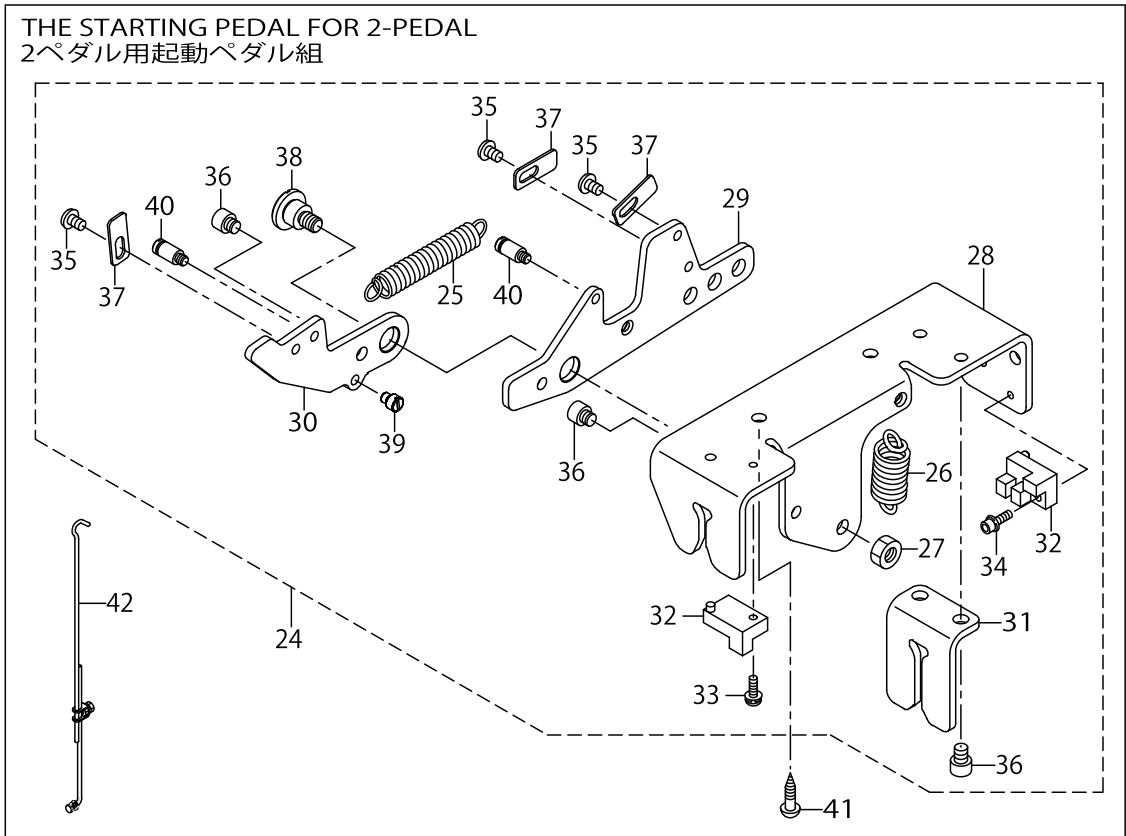
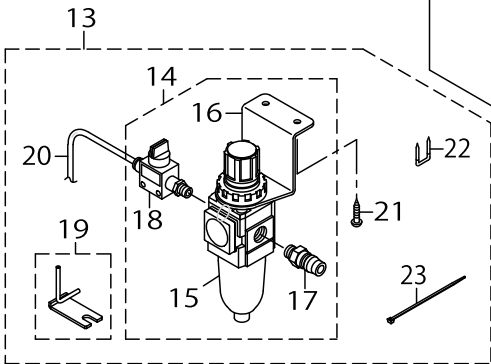
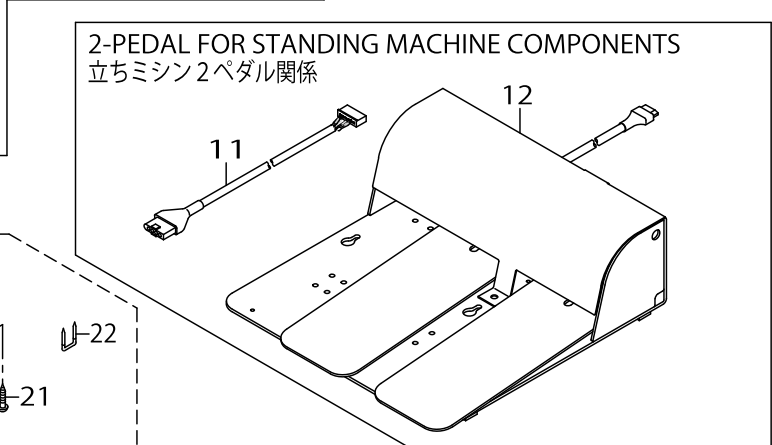
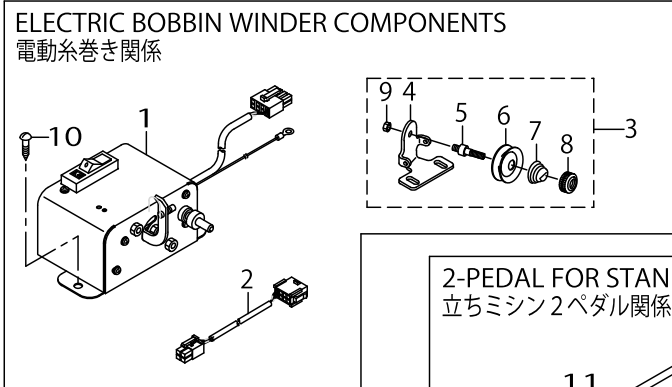
THREAD STAND COMPONENTS



THREAD STAND COMPONENTS

No.	Supply Code	Parts No.	Replacement	Parts name	Remarks	Choice	Step	Level	Cons	Qty	Rep. QTY
1		40096354		THREAD STAND ASM.						1	
2		40085784		SPOOL REST ROD LOWER				*		1	
3		40085785		SPOOL REST ROD UPPER				*		1	
4		40085786		SPOOL REST ARM LOWER				*		1	
5		40085787		SPOOL REST ARM UPPER				*		1	
6		40085788		SPOOL REST				*		2	
7		40085789		SPOOL REST CUSHION				*	☆	2	
8		40085790		SPOOL PIN				*		2	
9		40085791		SPOOL RETAINER				*		2	
10		40085792		SPOOL REST ROD JOINT				*		1	
11		40085793		SPOOL REST ROD RUBBER CAP				*		1	
12		40085794		THREAD GUIDE				*		2	
13		40085795		THREAD GUIDE BUSHING				*		2	
14		40096325		SPOOL REST ROD NUT				*		1	
15		WP1612616SE		WASHER 16X30X2.6				*		2	
16		40085796		SPOOL REST ROD RUBBER CUSHION				*		2	
17		40096326		SPOOL REST ARM LOWER SCREW				*		1	
18		NM6050001SE		NUT M5				*		2	
19	R	40096327	SM4053001SE	SPOOL REST ARM UPPER SCREW				*		1	1.00
20		NM6050001SE		NUT M5				*		2	
21		WS0510002KN		SPRING WASHER M5				*		2	
22		WP0531001SC		WASHER M5				*		2	
23		SM4051405SE		SCREW M5 L=14				*		2	
24		NM6050001SE		NUT M5				*		2	

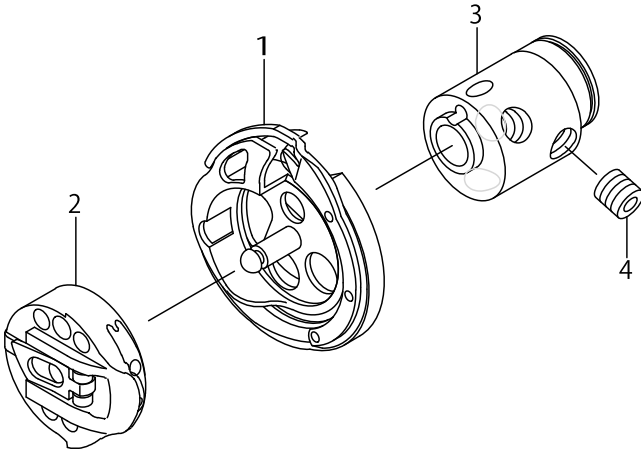
SPECIAL SPECIFICATIONS COMPONENTS (1)



SPECIAL SPECIFICATIONS COMPONENTS (1)

No.	Supply Code	Parts No.	Replacement	Parts name	Remarks	Choice	Step	Level	Cons	Qty	Rep. QTY
1	D	G50011980A0A		BOBBINWINDERASM.						1	
2		40005405		WINDER CORD ASSY						1	
3	R	B32217710A0	40053150	BOBBIN WINDER TENSION BRACKET ASM.						1	1.00
4	D	B3221771000		BOBBIN WINDER TENSION BRACKET				*		1	
5		B3219232000		BOBBIN WINDER TENSION POST				*		1	
6	R	B3214047000	22945802	BOBBIN WINDER TENSION DISC				*		2	1.00
7		B3218232000		BOBBIN WINDER TENSION SPRING				*		1	
8		B3216047000		BOBBIN WINDER TENSION NUT				*		1	
9		NS6110310SP		NUT 11/64-40				*		1	
10	R	SK3452000SC	SK3452001SE	WOOD SCREW D=4.5 L=20						4	1.00
11		40003493		PK PEDAL JOINT CORD ASSY						1	
12		GPK510010B0		PEDAL SWITCH ASM.						1	
13		40097040		HOOK COOLING UNIT B						1	
14		40023432		FILTER REGULATOR ASM.				*		1	
15		PF0551060A0		FILTER REGULATOR				*		1	
16		PF902005000		REGULATOR BRACKET				*		1	
17		PJ025100003		PLUG				*		1	
18		PV015122000		FINGER VALVE				*		1	
19		40094012		PIPE BRACKET ASM.				*		1	
20		BT0400251EB		URETHANE HOSE BLACK				*		1.5	
21		SK3412001SE		WOOD SCREW D=4.1 L=20				*		2	
22		MA011532000		CORD STAPLE				*		2	
23		EA9500B0100		CABLE BAND				*		2	
24		40003491		ASSY_4_POSITION_PEDAL						1	
25		13731906		SPRING				*		1	
26		B2583210D00		SPRING				*		1	
27		NM6060001CP		NUT M6				*		1	
28		40004360		PEDAL_FRAME				*		1	
29		40004361		PEDAL_FRAME_A				*		1	
30		40004362		PEDAL_FRAME_B				*		1	
31		40004363		PEDAL_FRAME_GUIDE				*		1	
32		HD00057000A		PHOTO SENSOR				*		2	
33		SL4031091SC		SCREW M3 L=10				*		1	
34		SL6031042TN		SCREW				*		1	
35		SM5040655SN		SCREW				*		3	
36		SM6050652TP		HEXAGON SOCKET HEAD SCREW M5X6				*		4	
37	D	40004364		SENSOR_DETECTING_PLATE				*		3	
38		SD1000646TP		SHOULDER SCREW D=10 H=6.4				*		1	
39		40004299		STOPPER_PIN				*		1	
40		40004327		SUSPENSION_SCREW				*		2	
41		SK3482001SE		WOOD SCREW D=4.8 L=20						2	
42		26104851		JOINT ASM.						1	


SPECIAL SPECIFICATIONS COMPONENTS (2)



SPECIAL SPECIFICATIONS COMPONENTS (2)

No.	Supply Code	Parts No.	Replacement	Parts name	Remarks	Choice	Step	Level	Cons	Qty	Rep. QTY
1		40006345		RP_HOOK_ASM.					☆	1	
2		40006349		RP_BOBBIN_CASE					☆	1	
3		13729603		HOOK SLEEVE						1	
4		SS8660612TP		SCREW 1/4-40 L=6						4	

EXCHANGING PARTS

		Cloth Cutting Knife 布切りメス	
			
		Standard 標準	
inch	mm	Ref.No	
1/4	6.4	1	
3/8	9.5	2	
7/16	11.1	3	
1/2	12.7	4	
9/16	14.3	5	
5/8	15.9	6	
11/16	17.5	7	
3/4	19.1	8	
7/8	22.2	9	
1	25.4	10	

EXCHANGING PARTS

No.	Supply Code	Parts No.	Replacement	Parts name	Remarks	Choice	Step	Level	Cons	Qty	Rep. QTY
1		B2702047F00		KNIFE 1/4						1	
2		B2702047K00A		KNIFE 3/8						1	
3		B2702047I00		KNIFE (7/16)						1	
4		B2702047L00A		KNIFE 1/2						1	
5		B2702047V00		KNIFE 9/16						1	
6		B2702047M00A		KNIFE 5/8						1	
7		B2702047A00		KNIFE 11/16						1	
8		B2702047N00		KNIFE 3/4						1	
9		B2702047P00		KNIFE 7/8						1	
10		B2702047Q00A		KNIFE 1						1	

HOW TO MAKE USE OF THIS PARTS LIST

1.Explanation of codes

1)"*"mark.....means this part is changed from the previous parts book.

As to the details of the change, refer to the "List for information of change".

2)"#01".....refer to "Note" explanation at bottom of page.

2.Codes on the "Qty" column

- Each numeral indicates the number of parts required.
- "0.1" and "2.5" indicate the length (in meters) of the respective parts.

3.Parentheses mean that the corresponding part is a subpart that constructs an assembly part.

4.Dotted lines on the Figures indicate assembly parts.

5.As to the parts with marks of "☆"(consumable parts) and "◎"(optional parts)on the respective parts, it is recommended to prepare spares.

1 ."注記"欄の記号説明

1) "*"印.....前回のパーツブックに比較して今回変更された部品を意味します。

変更内容は、"変更情報リスト"を参照してください。

2) "#01".....ページ下の"注記"の説明を参照してください。

2.数量欄の数字は、個数を表し、0.1、2.5等の数値は、長さ（単位メートル）を表します。

3.数量欄の（ ）は、組部品を構成している子部品であることを意味します。

4.イラストページの-----枠は、組構成であることを意味します。

5.リストページの"☆"（消耗部品）、"◎"（オプション部品）の印がついた部品は、予備を準備しておくことをお奨めします。

NUMERICAL INDEX OF PARTS

PART NO	PAGE	REF NO.	PART NO	PAGE	REF NO.	PART NO	PAGE	REF NO.
10006104	6	18	23630007	16	26	40004218	24	13
10111201	20	84	26104851	52	42	40004222	24	29
101112A9	16	35	26230409	2	13	40004224	24	21
101112A9	20	89	26230409	8	58	40004232	28	52
11072402	8	62	26234005	48	31	40004234	26	37
11093606	8	63	26260109	6	28	40004235	26	26
11272507	26	24	26260208	6	29	40004236	26	43
13127402	18	43	26260307	6	30	40004238	26	27
13700406	4	51	26260406	6	31	40004240	28	50
13700505	4	52	26260505	6	32	40004243	28	63
13700604	4	50	26260604	6	33	40004244	26	41
13700703	4	62	26260802	6	35	40004245	26	42
13703806	2	24	26261206	6	39	40004246	28	64
13703905	2	25	26261305	6	40	40004247	26	40
13705405	4	69	26261503	6	41	40004248	26	38
13706403	24	14	26261602	6	42	40004249	28	62
13710405	16	20	26261701	6	43	40004250	28	65
13727102	32	54	29180403	48	14	40004252	6	22
13729066	16	13	32055402	6	21	40004252	26	39
13729603	54	3	40003491	44	34	40004254	26	29
13729660	16	10	40003491	52	24	40004254	30	22
13729769	16	29	40003493	52	11	40004255	28	70
13731906	52	25	40003499	6	26	40004264	26	33
13737408	30	9	40003499	44	4	40004265	26	34
13922208	4	47	40004156	2	9	40004267	18	37
13943303	4	56	40004157	2	7	40004275	20	79
14101208	48	8	40004159	2	11	40004279	20	51
14115554	6	7	40004160	2	44	40004285	20	48
14115554	46	42	40004161	2	15	40004289	18	36
14191951	36	4	40004171	12	19	40004291	20	78
22502504	2	42	40004180	16	18	40004293	26	4
22502504	48	10	40004186	16	8	40004294	28	71
22528764	2	41	40004187	16	9	40004296	26	36
22529473	8	60	40004188	16	5	40004297	26	66
22529481	8	59	40004197	18	7	40004297	28	66
22891204	18	3	40004198	18	8	40004298	26	67
22918304	12	43	40004200	18	9	40004298	28	67
22932800	48	1	40004206	12	39	40004299	30	69
22933006	48	22	40004209	24	27	40004299	32	69
22933105	48	3	40004212	24	30	40004299	52	39
22933204	48	2	40004213	24	31	40004301	30	46
23530405	24	4	40004214	24	34	40004306	30	39
23536204	16	6	40004215	24	33	40004308	30	32
23605207	12	51	40004216	24	25	40004309	30	29
23605207	14	51	40004217	24	26	40004311	30	36

NUMERICAL INDEX OF PARTS

PART NO	PAGE	REF NO.	PART NO	PAGE	REF NO.	PART NO	PAGE	REF NO.
40004321	30	31	40006349	54	2	40042134	36	18
40004324	32	47	40008423	12	35	40044824	48	16
40004325	32	55	40008426	12	38	40051473	12	15
40004326	32	77	40008671	24	5	40051474	12	16
40004327	30	68	40008977	4	57	40066088	48	17
40004327	32	68	40009037	4	64	40075297	18	4
40004327	52	40	40009148	48	4	40083369	12	36
40004328	32	73	40010288	34	14	40085784	50	2
40004329	30	4	40010434	18	15	40085785	50	3
40004336	30	3	40010435	18	16	40085786	50	4
40004343	30	7	40010489	34	16	40085787	50	5
40004344	30	8	40010510	6	19	40085788	50	6
40004345	32	52	40010511	6	6	40085789	50	7
40004346	32	64	40010512	6	20	40085790	50	8
40004347	32	53	40010514	6	5	40085791	50	9
40004348	32	65	40010522	6	8	40085792	50	10
40004349	32	71	40010534	12	24	40085793	50	11
40004360	52	28	40010535	12	26	40085794	50	12
40004361	52	29	40011143	6	27	40085795	50	13
40004362	52	30	40011144	6	34	40085796	50	16
40004363	52	31	40011145	6	36	40088990	24	1
40004364	52	37	40011146	6	37	40093423	36	8
40004373	24	23	40011205	32	50	40094012	52	19
40004374	24	24	40011319	32	76	40094259	36	6
40004378	24	2	40011327	32	63	40094260	36	7
40004379	24	3	40011355	16	16	40094262	36	5
40004393	34	32	40011517	12	1	40094262	44	33
40004394	34	29	40015674	28	54	40096325	50	14
40004396	34	30	40015702	28	51	40096326	50	17
40004398	34	27	40021933	6	38	40096327	50	19
40004400	26	17	40022322	30	30	40096354	50	1
40005390	44	24~26	40022323	30	28	40097040	52	13
40005400	44	2	40022363	12	37	40101638	26	30
40005405	52	2	40023371	44	24~26	40101638	30	23
40006261	6	1	40023432	52	14	40101641	26	28
40006261	44	19	40028634	28	48	40101642	26	31
40006263	6	2	40028636	28	61	40101649	30	6
40006264	6	3	40029613	30	33	40105465	40	15·16
40006265	6	23	40029632	2	39	40105465	46	40·41
40006307	14	49	40029632	44	3	40105475	40	15·16
40006314	4	49	40032269	12	29	40105475	46	40·41
40006317	16	21	40037008	8	52	40108754	18	6
40006320	16	25	40039896	8	76	40111214	4	73
40006323	48	12	40040276	34	28	40111214	40	17
40006345	54	1	40042089	34	18	40111214	44	20

NUMERICAL INDEX OF PARTS

PART NO	PAGE	REF NO.	PART NO	PAGE	REF NO.	PART NO	PAGE	REF NO.
40113427	42	46	40141502	40	1~3	40141801	18	31
40113427	44	30	40141502	44	35~37	40141802	32	70
40114136	42	36	40141706	2	45	40142148	2	17
40114398	40	35	40141706	44	32	40142161	18	29
40115874	40	7	40141709	2	3	40142162	34	1
40115876	40	9	40141710	2	26	40142163	34	11
40115877	40	26	40141711	2	27	40142164	34	12
40115878	40	28	40141713	4	66	40142166	28	49
40115879	40	12	40141716	12	20	40142170	30	2
40126054	42	51	40141719	12	28	40142172	48	24
40138137	12	22	40141725	12	41	40142267	40	23
40138137	46	43	40141726	12	42	40142267	44	39
40138611	4	70	40141727	12	45	40142753	16	22
40138611	44	1	40141730	12	46	40142754	16	23
40138920	40	13	40141739	16	14	40142755	18	33
40138920	44	38	40141740	16	19	40142878	14	47
40139180	24	8	40141742	18	27	40142880	12	44
40139180	44	13	40141744	22	101	40142887	2	18
40139181	18	1	40141745	20	53	40142906	2	5
40139181	44	14	40141746	20	57	40142969	42	62
40139182	18	34	40141747	20	52	40143770	2	1
40139182	44	15	40141748	20	68	40143988	40	5·6
40139183	34	2	40141753	20	54	40143989	40	5·6
40139183	44	18	40141754	18	46	40143990	40	27
40140040	28	46	40141755	18	45	40145327	4	78
40140040	44	16	40141756	20	55	40145328	2	20
40140041	30	12	40141757	18	44	40147891	42	61
40140041	44	17	40141758	24	6	40150131	42	43
40141333	38	1·2	40141759	24	7	40151935	18	11
40141333	44	31·44	40141760	24	9	40151936	16	32
40141334	38	1·2	40141774	26	35	40151937	20	80
40141334	46	31·44	40141778	30	5	40151938	20	58
40141480	44	5	40141779	30	18	40151939	20	81
40141481	44	7	40141780	34	5	40152564	18	5
40141482	44	9	40141781	34	4	40152565	20	67
40141483	4	79	40141782	34	8	40152566	8	66
40141483	44	12	40141783	34	13	40152567	20	82
40141484	44	11	40141785	34	19	40152568	20	60
40141487	44	27~29	40141786	34	17	40152569	22	98
40141488	44	27~29	40141787	34	25	40152570	8	92
40141489	44	27~29	40141788	18	30	40152571	10	93
40141500	40	1~3	40141794	20	49	40152572	8	81
40141500	44	35~37	40141795	2	33	40152573	8	83
40141501	40	1~3	40141798	48	26	40152574	8	84
40141501	44	35~37	40141799	48	25	40152576	20	90

NUMERICAL INDEX OF PARTS

PART NO	PAGE	REF NO.	PART NO	PAGE	REF NO.	PART NO	PAGE	REF NO.
40152577	22	94	B1414232000	24	28	CS1000881TP	12	31
40152578	8	72	B1509761000	20	72	CS1501181TP	24	17
40152579	8	82	B151077100B	20	73	D3162555B00	8	54
40152581	10	94	B1623180000	30	34	D6056555B00	4	61
40152582	12	5	B1811771000	16	28	D6056555B00	48	11
40152584	8	77	B2583210D00	52	26	D8204555D00	36	3
40152585	20	50	B2702047A00	56	7	E2002855000	4	60
40152587	20	71	B2702047F00	56	1	E8760452S00	42	45
40152588	8	75	B2702047I00	56	3	EA9500B0100	8	56
40152589	8	74	B2702047K00A	48	13·21	EA9500B0100	26	3
40153003	2	43	B2702047K00A	56	2	EA9500B0100	42	44
40153004	16	31	B2702047L00A	34	22	EA9500B0100	52	23
40153005	16	17	B2702047L00A	56	4	EA9500B0200	42	58
40153006	20	74	B2702047M00A	48	13·21	G50011980A0A	52	1
40153007	20	70	B2702047M00A	56	6	GAK33032000	8	91
40153008	16	11	B2702047N00	56	8	GPK510010B0	52	12
40153009	16	12	B2702047P00	56	9	HD00057000A	18	2
40153010	12	9	B2702047Q00A	56	10	HD00057000A	28	47
40153012	22	97	B2702047V00	56	5	HD00057000A	30	19
40153013	22	95	B2702210000	6	24	HD00057000A	44	10
40153015	36	1	B2703210000	6	25	HD00057000A	52	32
40153016	12	6	B3013141H0A	30	35	HF0013050P0	42	56·57
40153017	12	10	B3214047000	8	64	HF003000200	42	56·57
40153020	12	33	B3214047000	52	6	HM0003800A0	4	74
40153021	8	68	B3216047000	52	8	HX001500000	4	81
40153021	44	23	B3218232000	52	7	HX00150000A	30	1
40153022	8	69	B3219232000	52	5	HX00150000D	42	48
40153022	44	22	B3221771000	52	4	HX00151000A	8	57
40153023	8	70	B32217710A0	52	3	HX00222000D	40	31
40153023	44	21	B9107761000	48	23	HX00292000A	40	21
40153024	20	91	B91210120A0	48	19	HX00339000M	40	22
40153026	8	71	BT0400251EB	52	20	J106600000D	48	18
40153031	12	2	CM300100001	42	39	KX000000210	36	10
40153032	18	10	CM300100402	42	41	KX000000230	36	11
40153617	16	24	CM300200001	4	72	KX000000260	40	19
40153618	8	78	CM300200001	10	99	KX000000320	40	32
40154101	12	27	CM300200001	22	102	KX000000380	4	54
40154136	22	103	CM300200003	4	68	M300451100A	42	49
40154395	20	59	CM300400602	42	40	M8002430000	40	34
40154496	48	32	CM301300001	4	71	M90175800A0	44	24~26
40156274	10	100	CM600100101	42	42	MAO11532000	52	22
40156767	20	76	CM600100201	48	7	MAZ16013000	28	69
40156791	18	18	CQ202000000	16	27	MDFRX1200C0	48	20
40156792	32	49	CQ252000000	14	50	MDP5J0B1100	24	16
40156793	48	15	CS0800881TP	26	25	MDP5J0B1102	48	5

NUMERICAL INDEX OF PARTS

PART NO	PAGE	REF NO.	PART NO	PAGE	REF NO.	PART NO	PAGE	REF NO.
MTSHJ100003	36	15	SB408000100	20	47	SL6040892TN	8	85
MTSHJ100003	42	50	SB710000500	18	13	SL6040892TN	22	99
NM6030001SD	2	22	SB710000600	18	12	SL6040892TN	32	72
NM6040000SN	26	32	SD0250101SP	30	42	SL6040892TN	48	6
NM6040001SC	2	21	SD0500166TP	30	43	SL6041092TN	32	74
NM6040001SD	30	66	SD0500167TP	30	44	SL6041492TN	34	3
NM6040001SD	32	66	SD0600208TP	22	96	SL6061492TN	34	6
NM6050001SE	50	24	SD0600266TP	26	8	SL6061692TN	8	87
NM6050001SP	24	22	SD0600326TP	26	21	SM0040801SC	2	19
NM6050001SP	26	57	SD0790203SP	20	77	SM0050801SC	8	53
NM6050001SP	28	57	SD0800296TP	30	62	SM0860400SN	6	9
NM6050001SP	30	11	SD0800296TP	32	62	SM1030400SP	32	48
NM6060001CP	52	27	SD0800326TP	18	35	SM1050801SC	8	73
NM6060001SD	4	53	SD0800406TP	26	22	SM4030455SN	32	56
NM6060001SD	48	30	SD0801006TP	30	67	SM4040655SP	2	28
NM6080001SC	8	90	SD0801006TP	32	67	SM4041050TP	32	58
NM6080002SC	36	14	SD0801506TP	26	23	SM4051001SC	36	12
NM6080002SC	42	55	SD1000646TP	52	38	SM4051055SP	2	16
NM6100001SD	12	8	SK3382001SE	38	3	SM4051405SE	50	23
NS6110310SP	8	61	SK3412001SE	52	21	SM4051655SP	2	12
NS6110310SP	52	9	SK3452000SC	52	10	SM5030355SN	8	51
PF0551060A0	52	15	SK3482001SE	52	41	SM5030655SN	10	95
PF902005000	52	16	SK3512001SE	42	52	SM5040550TP	18	28
PJ025100003	52	17	SK3512001SE	48	33	SM5040655SN	8	67
PS0200082KH	16	36	SL4030881SC	4	80	SM5040655SN	52	35
PV015122000	52	18	SL4030881SC	42	38	SM6030402TP	10	97
RC0100001KP	12	4	SL4031091SC	18	19	SM6030802TP	18	14
RC0560711KP	6	44	SL4031091SC	26	7	SM6031402TP	2	23
RC1700001KP	6	4	SL4031091SC	30	13	SM6040450TP	30	61
RC2791218KP	16	7	SL4031091SC	52	33	SM6040450TP	32	61
RC3000002KP	12	3	SL4040881SC	40	37	SM6040460TP	30	27
RE0300000K0	22	92	SL4040881SC	42	37	SM6040502TP	22	100
RE0300000K0	26	2	SL4040891SC	48	27	SM6040502TP	24	35
RE0400000K0	6	45	SL4041081SC	40	24	SM6040600SP	26	59
RE0500000K0	18	42	SL4041091SC	36	9	SM6040600SP	28	59
SB104000800	34	15	SL4041091SC	42	47	SM6040600SP	30	59
SB110000100	12	7	SL4041281SC	40	33	SM6040600SP	32	59
SB110000600	16	2	SL4041291SC	4	76	SM6040602TP	2	82
SB112000300	34	7	SL4042091SC	4	75	SM6040602TP	4	82
SB112001600	16	1	SL4042091SC	40	18	SM6040602TP	8	79
SB115000200	16	3	SL4051291SC	36	17	SM6040602TP	18	20
SB115000600	16	4	SL6031042TN	52	34	SM6040602TP	26	58
SB120000800	12	34	SL6040892TN	2	63	SM6040602TP	28	58
SB120002700	12	14	SL6040892TN	4	63	SM6040602TP	30	57
SB307000200	20	56	SL6040892TN	6	85	SM6040602TP	32	57

NUMERICAL INDEX OF PARTS

PART NO	PAGE	REF NO.	PART NO	PAGE	REF NO.	PART NO	PAGE	REF NO.
SM6040602TP	48	28	SM6062502TP	12	11	TA1550902R0	2	35
SM6040650TP	4	77	SM6062502TP	20	86	TA2100904R0	4	58
SM6040750TP	24	32	SM6067052TP	2	37	WP0320501SC	8	65
SM6040802TP	18	61	SM6067052TP	48	9	WP0371016SD	10	98
SM6040802TP	20	61	SM6087002TP	8	88	WP0430800SC	32	51
SM6040802TP	26	12	SM7030550TP	24	15	WP0430800SC	40	4
SM6040802TP	30	15	SM8030412TP	6	13	WP0430801SC	26	6
SM6040860TP	6	10	SM8040802TP	8	49	WP0430801SC	30	26
SM6040860TP	26	11	SM8050412TP	18	17	WP0430801SC	34	23
SM6041002TP	18	22	SM8050412TP	26	19	WP0431005SP	28	53
SM6041002TP	34	26	SM8050412TP	30	16	WP0431005SP	30	37
SM6041200SP	26	13	SM8050502TP	8	48	WP0450801SC	8	80
SM6041200SP	32	60	SM8050502TP	16	30	WP0450826SC	6	46
SM6041202TP	12	40	SM8050502TP	18	25	WP0451016SP	30	38
SM6041202TP	18	38	SM8050502TP	24	18	WP0451026SH	18	41
SM6041202TP	24	10	SM8050502TP	26	20	WP0501046SC	32	79
SM6041602TP	20	62	SM8050602TP	20	66	WP0520656SA	8	86
SM6050652TP	2	29	SM8050612TP	34	20	WP0531000SD	22	93
SM6050652TP	26	14	SM80506A2TP	12	30	WP0531001SC	50	22
SM6050652TP	52	36	SM8060552TP	18	39	WP0550800SP	28	56
SM6050800SP	20	63	SM8060612TP	20	69	WP0551016SH	32	78
SM6050800SP	26	15	SM80606A2TP	2	38	WP0612056SD	4	55
SM6050802TP	2	48	SM80606A2TP	6	14	WP0612056SD	48	29
SM6050802TP	4	48	SM80606A2TP	12	32	WP0621046SP	12	12
SM6050802TP	6	11	SM80606A2TP	16	15	WP0651646SC	42	59
SM6050802TP	26	60	SM80606A2TP	18	40	WP0851846SC	36	16
SM6050802TP	28	60	SM80606A2TP	24	19	WP0852086SC	8	89
SM6050802TP	32	75	SM80608A2TP	12	48	WP0852086SC	42	53
SM6051002TP	20	65	SM80608A2TP	14	48	WP1612616SE	50	15
SM6051202TP	28	68	SM8081652TP	12	21	WS0410002KP	6	16
SM6051202TP	34	33	SM9040700SP	30	17	WS0510002KN	50	21
SM6051402TP	34	21	SM9040700SP	34	24	WS0820002KR	36	13
SM6051802TP	16	33	SM9040800SP	6	15	WS0820002KR	42	54
SM6052002TP	12	23	SM9061403CP	12	13	WT0640001KN	42	60
SM6052002TP	16	34	SS6060210SP	20	75			
SM6061002TP	2	36	SS7110840SP	8	55			
SM6061002TP	18	23	SS8660612TP	54	4			
SM6061010TP	20	83	ST4040851SN	48	34			
SM6061202TP	20	87	ST9053511SR	36	2			
SM6061202TP	24	20	TA0500301R0	4	46			
SM6061202TP	34	31	TA0550604R0	4	83			
SM6061602TP	20	85	TA0750404R0	4	84			
SM6061802TP	18	24	TA0850604R0	4	67			
SM6061802TP	24	12	TA1050504R0	2	32			
SM6062002TP	20	88	TA1250406R0	2	34			