

MODEL : LBH-1790A/LBH-1795A

List No : 1649-05

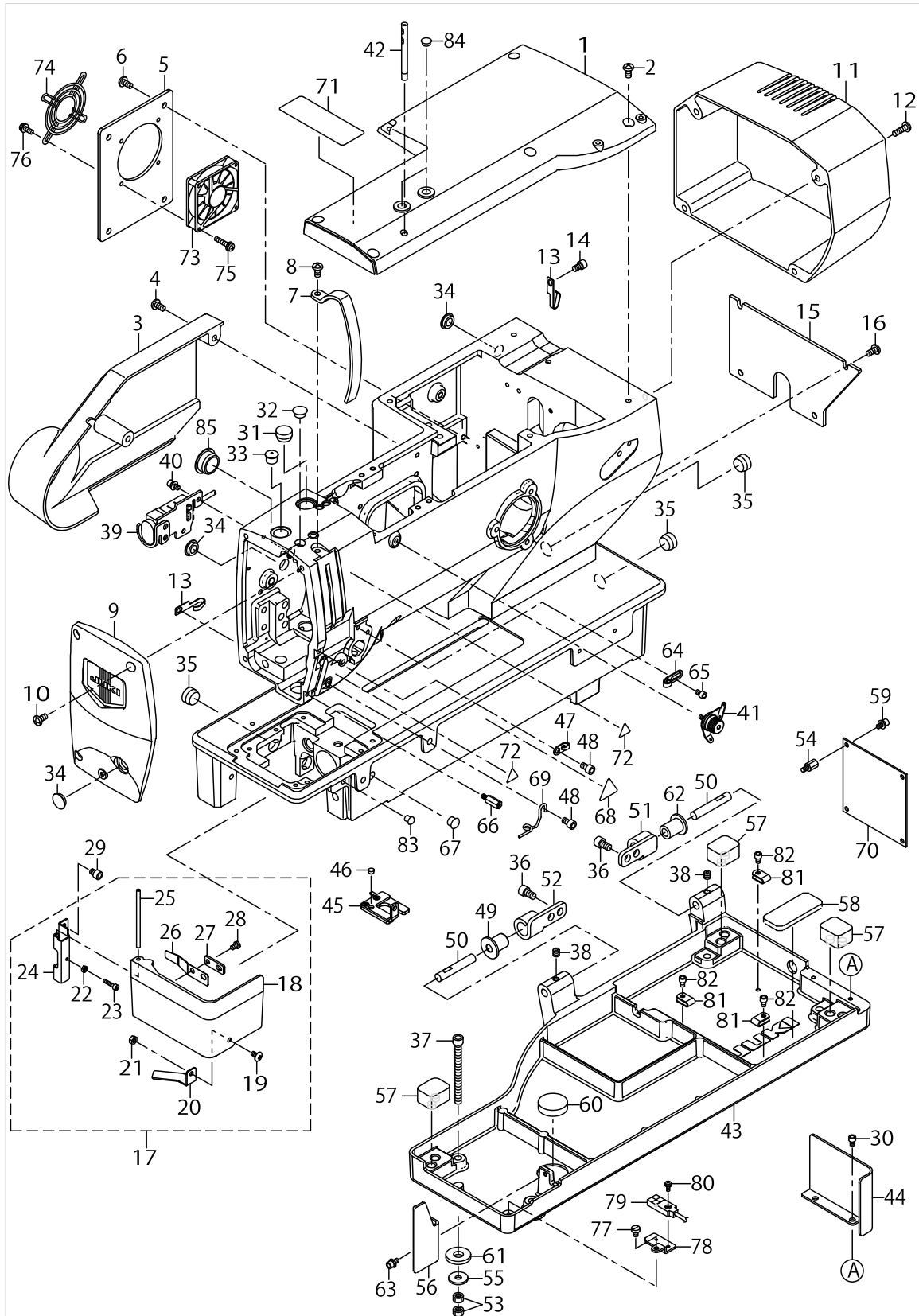
PARTS LIST

Published:05/12/2017

CONTENTS

FRAME & MISCELLANEOUS COVER COMPONENTS (1)	1
FRAME & MISCELLANEOUS COVER COMPONENTS (2)	5
MAIN SHAFT COMPONENTS	9
HOOK DRIVING SHAFT COMPONENTS	13
PRESSER & FEED COMPONENTS	15
PRESSER & FEED COMPONENTS (FOR LBH-1795AS).....	19
NEEDLE BAR ROCKING COMPONENTS	21
NEEDLE THREAD TRIMMER COMPONENTS.....	23
BOBBIN THREAD TRIMMER COMPONENTS.....	27
CLOTH CUTTING KNIFE COMPONENTS	31
TABLE COMPONENTS	33
OPERATION BOX COMPONENTS (ACCESSORIES OF A CONTROL BOX).....	35
CONTROL BOX COMPONENTS	37
WIRING DIAGRAM.....	41
ACCESSORIE PARTS COMPONENTS	45
THREAD STAND COMPONENTS.....	47
SPECIAL SPECIFICATIONS COMPONENTS (1).....	49
SPECIAL SPECIFICATIONS COMPONENTS (2).....	51
EXCHANGING PARTS.....	55
LIST FOR INFORMATION OF CHANGE.....	56
HOW TO MAKE USE OF THIS PARTS LIST	57

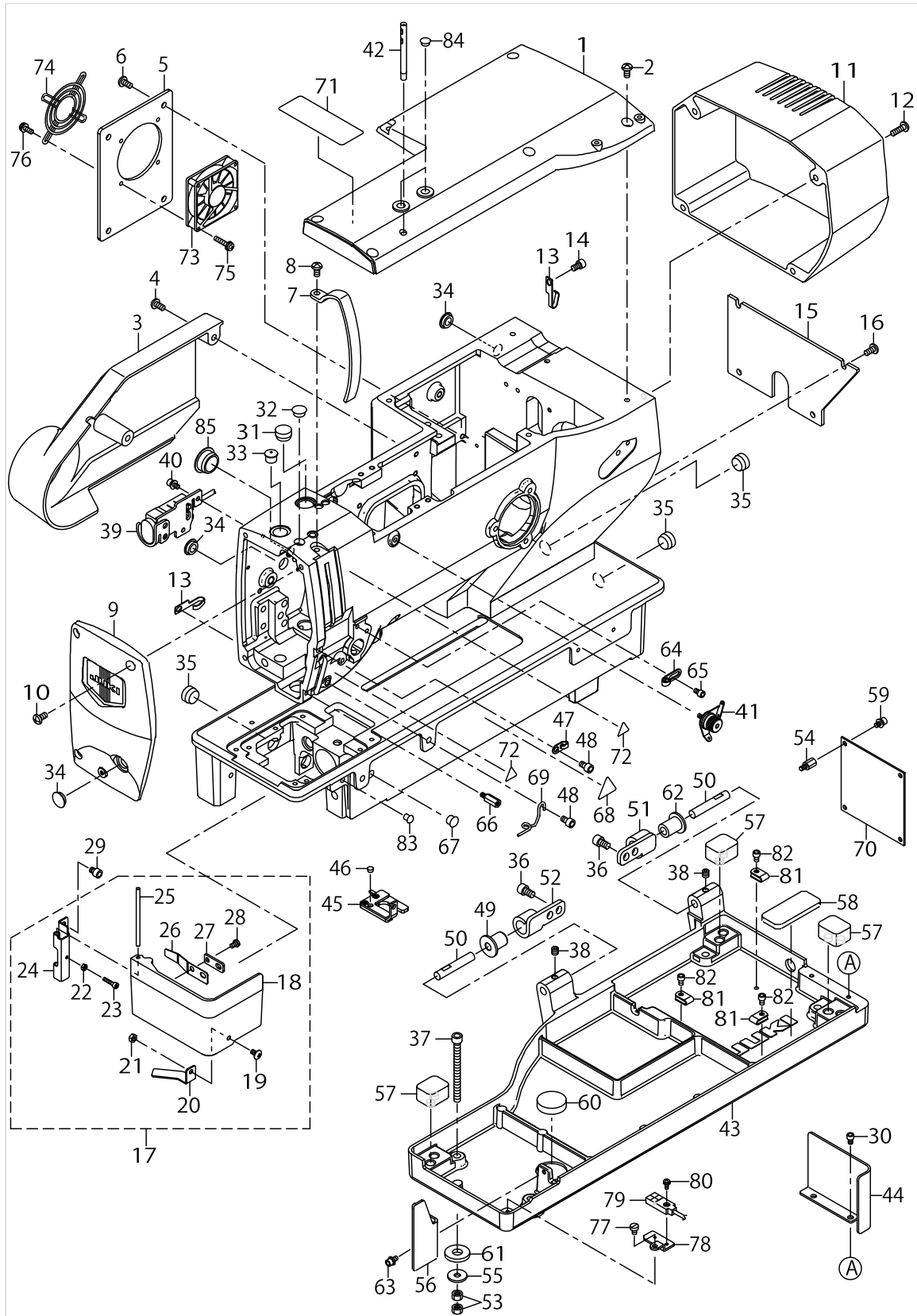
FRAME & MISCELLANEOUS COVER COMPONENTS (1)



FRAME & MISCELLANEOUS COVER COMPONENTS (1)

No.	Supply Code	Parts No.	Replacement	Parts name	Remarks	Choice	Step	Level	Cons	Qty	Rep. QTY
1		40143770		UPPER COVER						1	
2		SM4051055SP		SCREW						6	
3		40141709		LEFT_COVER						1	
4		SM4051055SP		SCREW						2	
5		40142906		LEFT COVER B						1	
6		SM4051055SP		SCREW						4	
7		40004157		THREAD_TAKE_UP_LEVER_COVER						1	
8		SM4051055SP		SCREW						1	
9		40004156		FRONT_COVER						1	
10		SM4051055SP		SCREW						3	
11		40004159		MOTOR_COVER						1	
12		SM4051655SP		SCREW M5 L=16						4	
13		26230409		LUBRICATING OIL WICK STOPPER						2	
14		SM6050802TP		SCREW M5X0.8 L=8						1	
15		40004161		REAR_COVER						1	
16		SM4051055SP		SCREW						4	
17		40142148		HOOK_OIL_SHIELD_COVER_COMPL.						1	
18		40142887		HOOK_OIL_SHIELD_COVER				*		1	
19		SM0040801SC		SCREW				*		1	
20		40145328		SENSOR SLIT PLATE C				*		1	
21		NM6040001SC		NUT M4X0.7 TYPE1				*		1	
22		NM6030001SD		NUT M3X0.5				*		1	
23		SM6031402TP		SCREW				*		1	
24		13703806		HOOK OIL SHIELD HINGE				*		1	
25		13703905		HINGE PIN				*		1	
26		40141710		HINGE_SPRING				*	☆	1	
27		40141711		HINGE_SPRING_WASHER				*		1	
28		SM4040655SP		SCREW M4 L=6				*		1	
29		SM6050652TP		HEXAGON SOCKET HEAD SCREW M5X6						2	
30		SM6040602TP		SCREW M4 L=6						2	
31		TA1550902R0		PLUG						1	
32		TA1050504R0		RUBBER PLUG						1	
33		40141795		PBL_METAL_CAP						1	
34		TA1250406R0		RUBBER PLUG D=12.5 L=4						3	
35		TA1550902R0		PLUG						3	
36		SM6061002TP		SCREW M6 L=10	ACCESSO- RIE PARTS					4	
37		SM6067052TP		HEXAGON BOLT						1	
38		SM80606A2TP		SCREW M6 L=6						2	
39		32002354		SWITCH ASM.						1	
40		SL6040892TN		SCREW						2	
41	R	22528764	40050700	PRE-TENSION CONTROLLER ASM.						1	1.00
42		22502504		THREAD GUIDE BAR	ACCESSO- RIE PARTS					1	
43		40141714		BED_BASE						1	
44		40004160		BED_REAR_COVER						1	
45		40141706		ASSY_LED_DEVICE					☆	1	

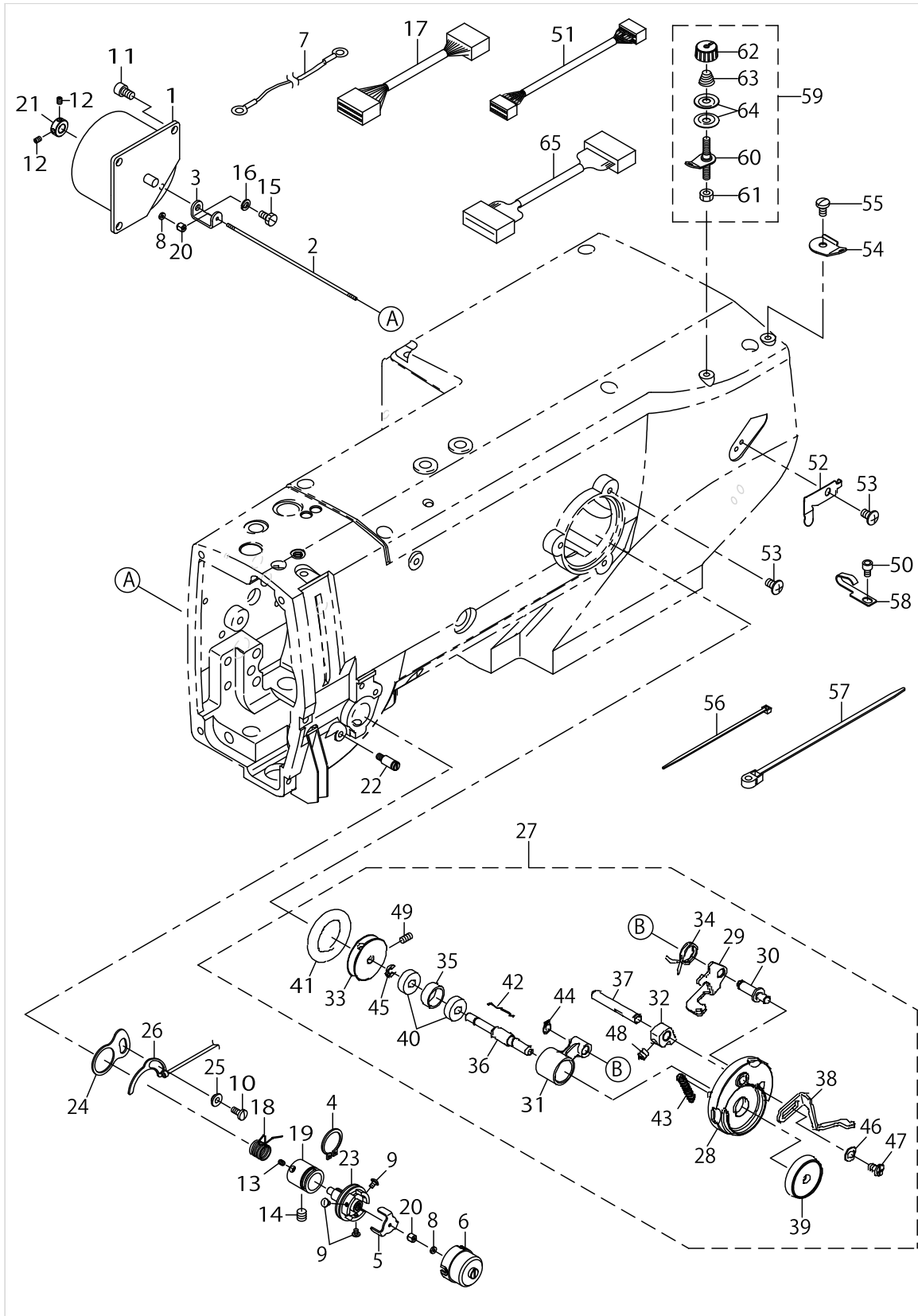
FRAME & MISCELLANEOUS COVER COMPONENTS (1)



FRAME & MISCELLANEOUS COVER COMPONENTS (1)

No.	Supply Code	Parts No.	Replacement	Parts name	Remarks	Choice	Step	Level	Cons	Qty	Rep. QTY
46		TA0500301R0		PLUG 5X5.8 L=3						1	
47		13922208		TAKE-UP THREAD GUIDE B						1	
48		SM6050802TP		SCREW M5X0.8 L=8						2	
49		40006314		HINGE_BUSH	ACCESSO- RIE PARTS					1	
50		13700604		HINGE PIN						2	
51		13700406		HINGE PLATE A	ACCESSO- RIE PARTS					1	
52		13700505		HINGE PLATE B	ACCESSO- RIE PARTS					1	
53		NM6060001SD		NUT M6						2	
54		KX000000380		SPACER						4	
55		WP0612056SD		WASHER 6.1X18.5X2						1	
56		13943303		OIL SHIELD	ACCESSO- RIE PARTS					1	
57		40008977		RUBBER C						3	
58		40008978		RUBBER D						1	
59		SL6040892TN		SCREW						4	
60		E2002855000		Z STOPPER RUBBER						1	
61		D6056555B00		RUBBERCUSHION(B)						1	
62		13700703		RUBBER HINGE	ACCESSO- RIE PARTS					1	
63		SL6040892TN		SCREW	ACCESSO- RIE PARTS					1	
64		40009037		TAKE-UP THREAD GUIDE A						1	
65		SM6040602TP		SCREW M4 L=6						1	
66		40141713		STUD						1	
67		TA0850604R0		RUBBER PLUG						1	
68		CM300200003		ATTENTION LABEL						1	
69		13705405		NEEDLE BAR THREAD GUIDE						1	
70		40138611		INT PCB ASSY						1	
71		CM301300001		SAFETY LABEL						1	
72		CM300200001		ATTENTION SEAL						2	
73		40111214		FAN MOTOR ASSY						1	
74		HM0003800A0		FINGER GUARD						1	
75		SL4042091SC		SCREW M4X0.7 L=20						2	
76		SL4041291SC		SCREW M4 L=12						2	
77		SM6040650TP		SCREW						1	
78		40145327		SENSOR PALTE C						1	
79		40141483		COVER SENSOR ASSY						1	
80		SL4030881SC		SCREW M3 L=8						1	
81		HX001500000		CLIP						3	
82		SM6040602TP		SCREW M4 L=6						3	
83		TA0550604R0		RUBBER PLUG						1	
84		TA0750404R0		PLUG D=7.5 L=3.5						2	
85		TA2100904R0		RUBBER PLUG						1	

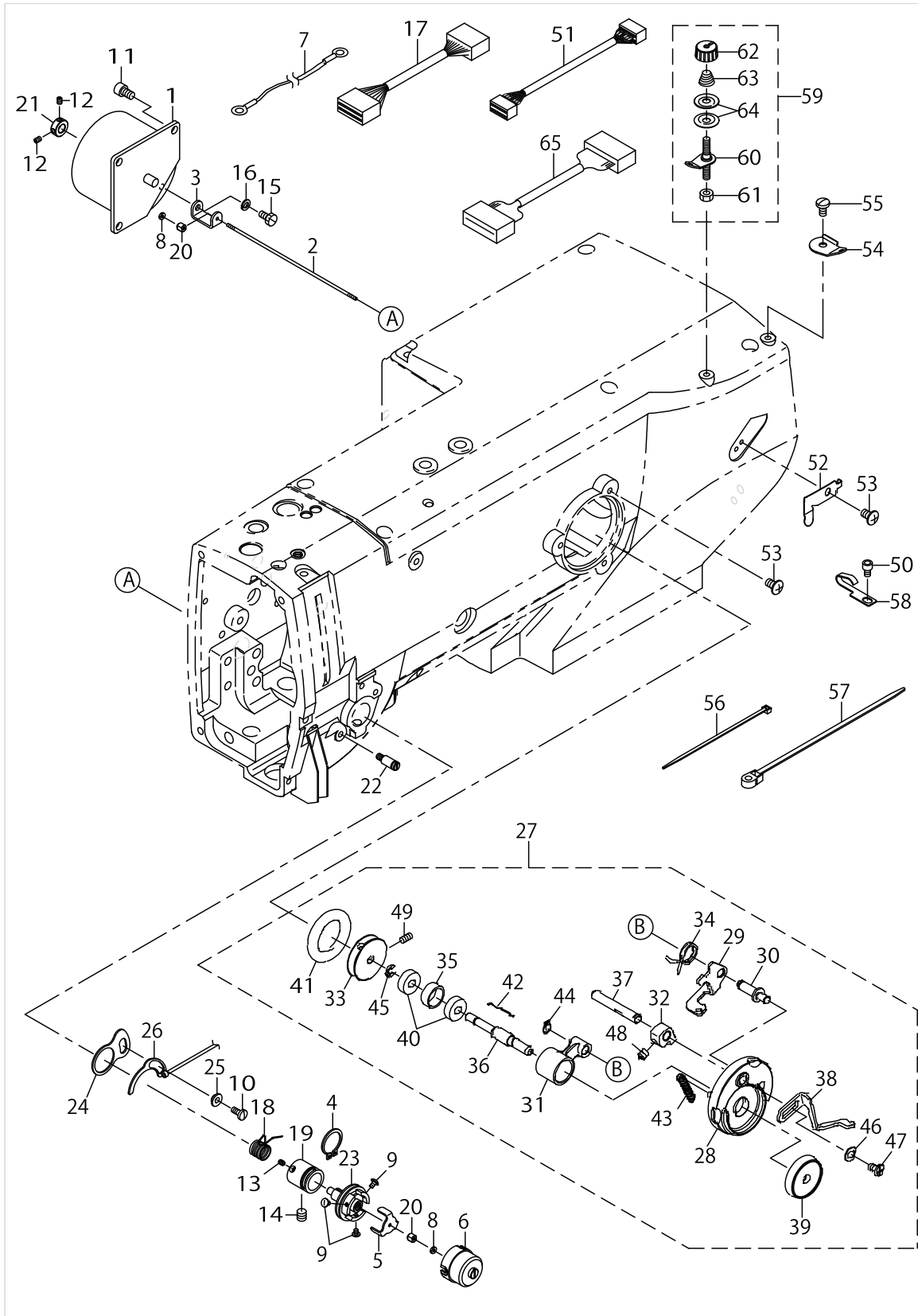
FRAME & MISCELLANEOUS COVER COMPONENTS (2)



FRAME & MISCELLANEOUS COVER COMPONENTS (2)

No.	Supply Code	Parts No.	Replacement	Parts name	Remarks	Choice	Step	Level	Cons	Qty	Rep. QTY
1		40006261		ASSY_AT_SOLENOID						1	
2		40006263		AT_SHAFT						1	
3		40006264		AT_SHAFT HOLDER						1	
4		RC1700001KP		RETAINING RING						1	
5		40010514		DISK_STOPPER						1	
6		40010511		DISK_STOPPER_HOLDER_CAP						1	
7		14115554		HEAD_GROUND_CABLE_A_ASM.						1	
8		40010522		SHAFT_NUT						2	
9		SM0860400SN		SCREW						3	
10		SM6040860TP		SCREW M4 L=8						1	
11		SM6050802TP		SCREW M5X0.8 L=8						3	
12		SM8030412TP		SCREW						2	
13		SM8030412TP		SCREW						1	
14		SM80606A2TP		SCREW M6 L=6						1	
15		SM9040800SP		SCREW						1	
16		WS0410002KP		SPRING WASHER						1	
17		40141478		INT_CORE_B_ASSY						1	
18		10006104		TAKE-UP SPRING					☆	1	
19		40010510		THREAD_TENSION_POST_BASE						1	
20		40010512		THREAD_TENSION_SHAFT_COLLAR						2	
21	R	32055402	40010477	THRUST COLLAR						1	1.00
22		40004252		UTT_SUSPENSION_SCREW_9						1	
23		40006265		ASSY_THREAD_TENSION_POST						1	
24		B2702210000		GUIDE PLATE						1	
25		B2703210000		BUSHING						1	
26		40003499		THREAD BREAK DETECTOR A						1	
27		40011143		ASSY_BTW						1	
28	R	26260109	26260000	BTW_BASE				*		1	1.00
29		26260208		BTW_CAM_PLATE				*		1	
30		26260307		BTW_BASE_SHAFT				*		1	
31		26260406		BTW_SHAFT_BASE				*		1	
32		26260505		BTW_CAM_LEVER				*		1	
33		26260604		BTW_WHEEL				*		1	
34		40011144		BTW_TORSION_SPRING				*		1	
35	R	26260802	26260000	BTW_BEARING_SPACER				*		1	1.00
36		40011145		BTW_SHAFT				*		1	
37	R	40011146	40089647	BTW_LEVER_SHAFT				*		1	1.00
38		40021933		BTW_LEVER				*		1	
39		26261206		BTW_SPACER				*		1	
40	R	26261305	26260000	BTW_BEARING				*		2	1.00
41		26261503		BTW_WHEEL_RUBBER				*	☆	1	
42		26261602		BOBBIN_SPRING				*	☆	1	
43		26261701		BTW_SPRING				*		1	
44		RC0560711KP		RETAINING RING				*		1	
45		RE0400000K0		E-RING 4				*		1	
46		WP0450826SC		WASHER 4.5X10X0.8				*		1	

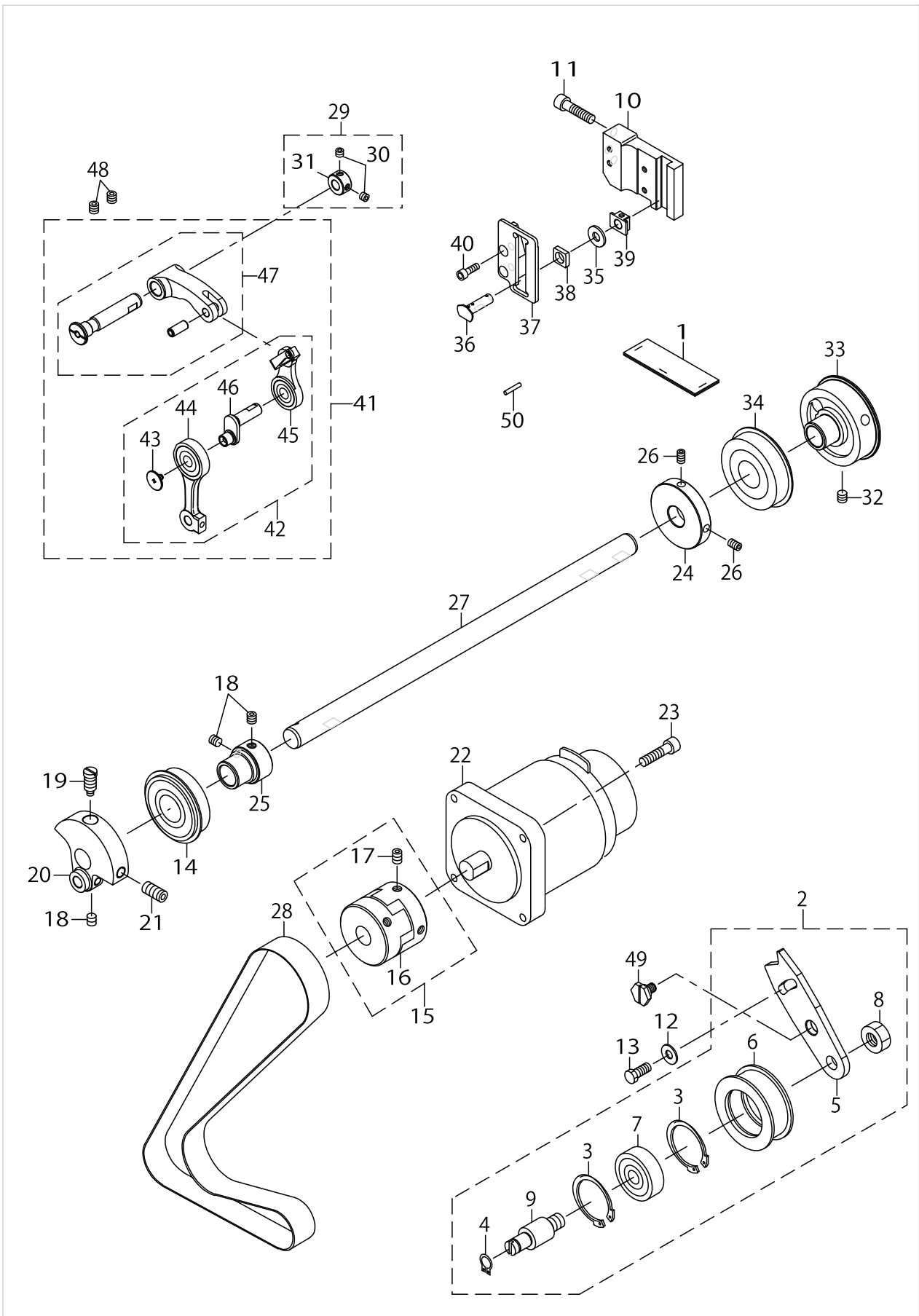
FRAME & MISCELLANEOUS COVER COMPONENTS (2)



FRAME & MISCELLANEOUS COVER COMPONENTS (2)

No.	Supply Code	Parts No.	Replacement	Parts name	Remarks	Choice	Step	Level	Cons	Qty	Rep. QTY
47		SM5040655SN		SCREW				*		1	
48		SM8050502TP		SCREW M5 L=5				*		1	
49		SM8040802TP		SCREW M4X8				*		2	
50		SM6040602TP		SCREW M4 L=6						2	
51		40141479		INT CORD C ASSY						1	
52		40037008		THREAD_CUTTER					☆	1	
53		SM0050801SC		SCREW						4	
54		D3162555B00		THREAD GUIDE						1	
55		SS7110840SP		SCREW 11/64-40 L=7.8						1	
56		EA9500B0100		CABLE BAND						10	
57		HX00151000A		CABLE BAND						2	
58		26230409		LUBRICATING OIL WICK STOPPER						3	
59		22529481		BOBBIN THREAD TENSION ASM.						1	
60		22529473		BOBBIN THREAD T- ENSION ROD ASM.				*		1	
61		NS6110310SP		NUT 11/64-40				*		1	
62		11072402		THREAD TENSION NUT				*		1	
63		11093606		THREAD TENSION SPRING				*		1	
64	R	B3214047000	22945802	BOBBIN WINDER TENSION DISC				*		2	1.00
65		40141477		INT CORD A ASSY						1	

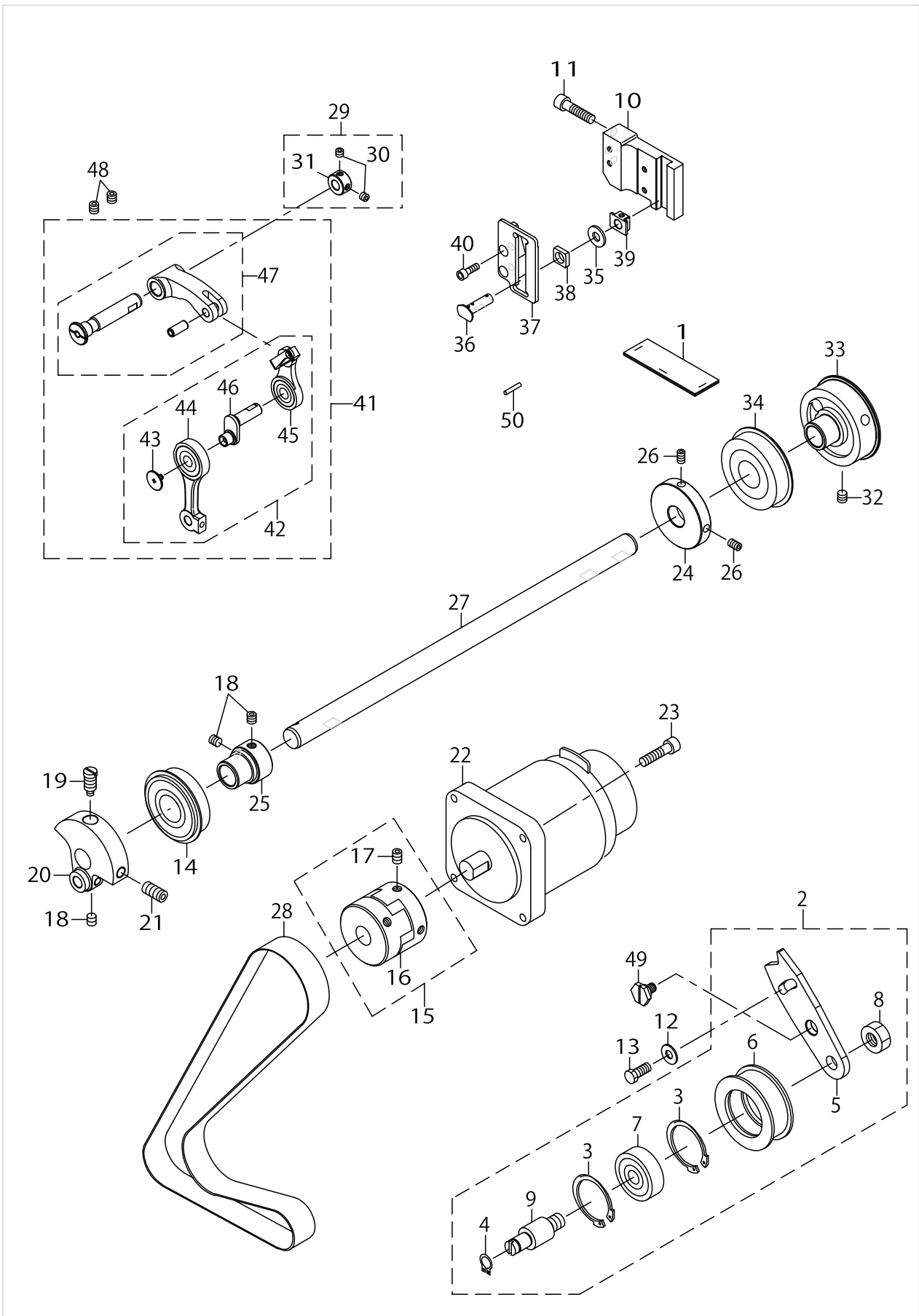
MAIN SHAFT COMPONENTS



MAIN SHAFT COMPONENTS

No.	Supply Code	Parts No.	Replacement	Parts name	Remarks	Choice	Step	Level	Cons	Qty	Rep. QTY
1		40011517		NEEDLE_BAR_CRANK_FELT						1	
2		40142152		IDLER_ASSY						1	
3		RC3781518KP		RETAINING RING				*		2	
4		RC0100001KP		SNAP RING M10				*		1	
5		40143150		IDLER FIXED PLATE				*		1	
6		40141721		IDLER_PULLEY				*		1	
7		SB110000700		BALL BEARING				*		1	
8		NM6100001SD		NUT M10				*		1	
9		40141720		IDLER_SHAFT				*		1	
10		40006307		SQUARE_BLOCK_GUIDE						1	
11		SM6062502TP		SCREW M6 L=25						3	
12		WP0621046SP		WASHER						1	
13		SM9061403CP		SCREW M6 L=14						1	
14		SB120002700		BEARING						1	
15		40051473		COUPLING ASM.						1	
16		40051474		COUPLING				*		1	
17		SM80608A2TP		SCREW M6 L=8				*		4	
18		SM80606A2TP		SCREW M6 L=6						4	
19		40004171		COUNTER_WEIGHT_SCREW						1	
20		40141716		COUNTER_WEIGHT						1	
21		SM8081652TP		SCREW M8 L=16						1	
22		40138137		IPM550W MOTOR						1	
23		SM6052002TR		SCREW M5 L=20						4	
24	R	40010534	40010533	BTW_DRIVING_WHEEL						1	1.00
25		23605207		BEARING HOLDER						1	
26		40010535		DRIVING_WHEEL_SCREW						2	
27		40141717		MAIN_SHAFT						1	
28		40141719		TIMING_BELT						1	
29		40032269		THRUST COLLAR						1	
30		SM80506A2TP		SCREW M5 L=6				*		2	
31		CS1000881TP		THRUST COLLAR				*		1	
32		SM80606A2TP		SCREW M6 L=6						2	
33		40141718		SPROCKET_A						1	
34		SB120000800		BEARING						1	
35		40008423		WASHER						1	
36		40083369		NEEDLE_CRANK_SHAFT						1	
37		40022363		SQUARE_BLOCK_GUIDE_B						1	
38		40008426		SQUARE_BLOCK						1	
39		40004206		SQUARE_BLOCK						1	
40		SM6041202TP		SCREW M4X0.7 L=12						2	
41		40141725		THREAD_TAKE_UP_COMP						1	
42	R	40141726	40141725	THREAD_TAKE_UP_ASM_C				*		1	1.00
43	R	22918304	B1903552000	SCREW				*		1	1.00
44		40142880		NEEDLE_BAR_CRANK_ROD_ASM.				*		1	
45		40141727		THREAD_TAKE_UP_ASM_B				*		1	
46		40141730		NEEDLE_BAR_CRANK				*		1	

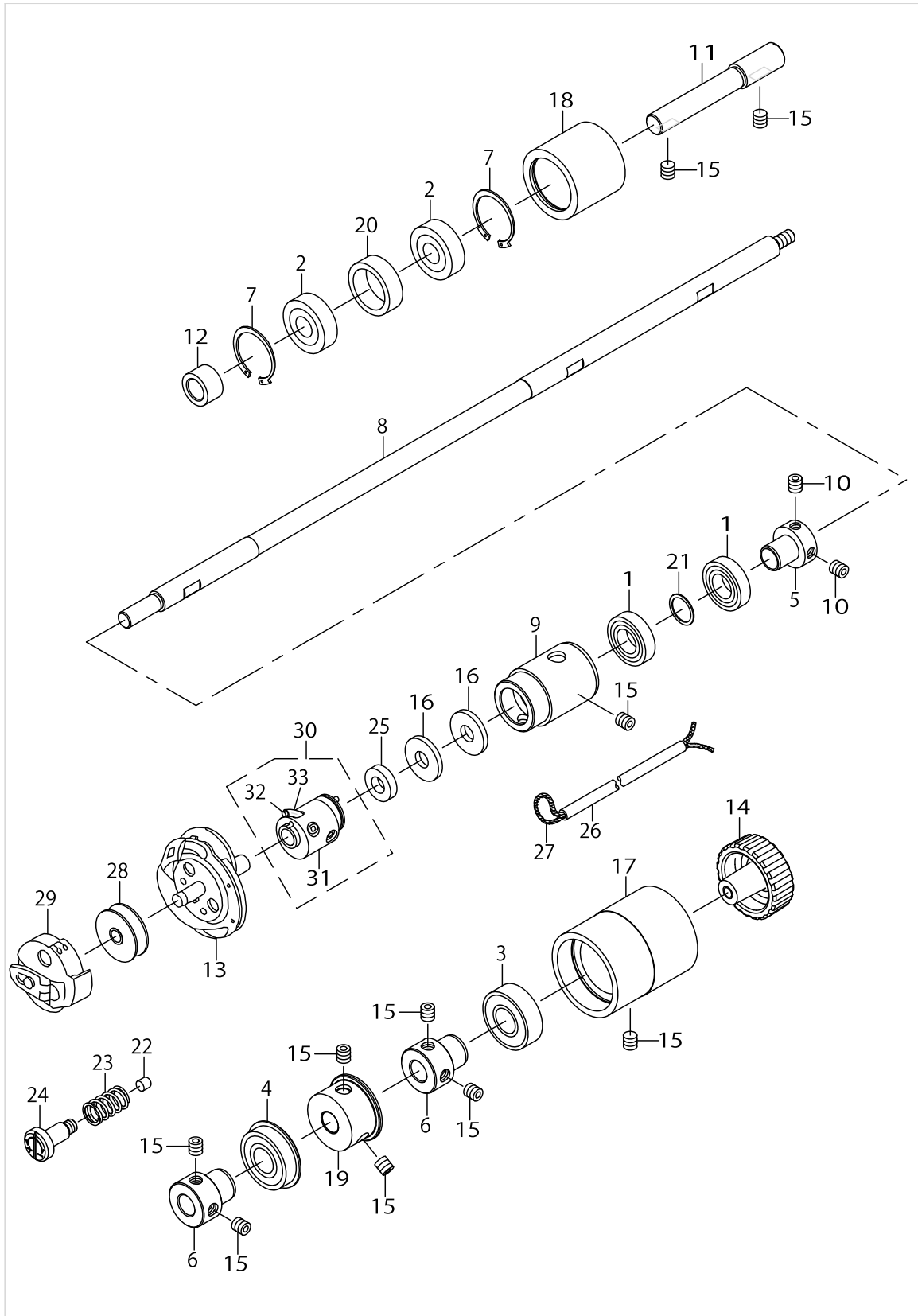
MAIN SHAFT COMPONENTS



MAIN SHAFT COMPONENTS

No.	Supply Code	Parts No.	Replacement	Parts name	Remarks	Choice	Step	Level	Cons	Qty	Rep. QTY
47	R	40142878	40141725	TAKE_UP_CRANK_ASM.				*		1	1.00
48		SM80608A2TP		SCREW M6 L=8						2	
49	R	40004185	40004182	HINGE_SCREW						1	1.00
50		CQ252000000		OIL WICK						.014	

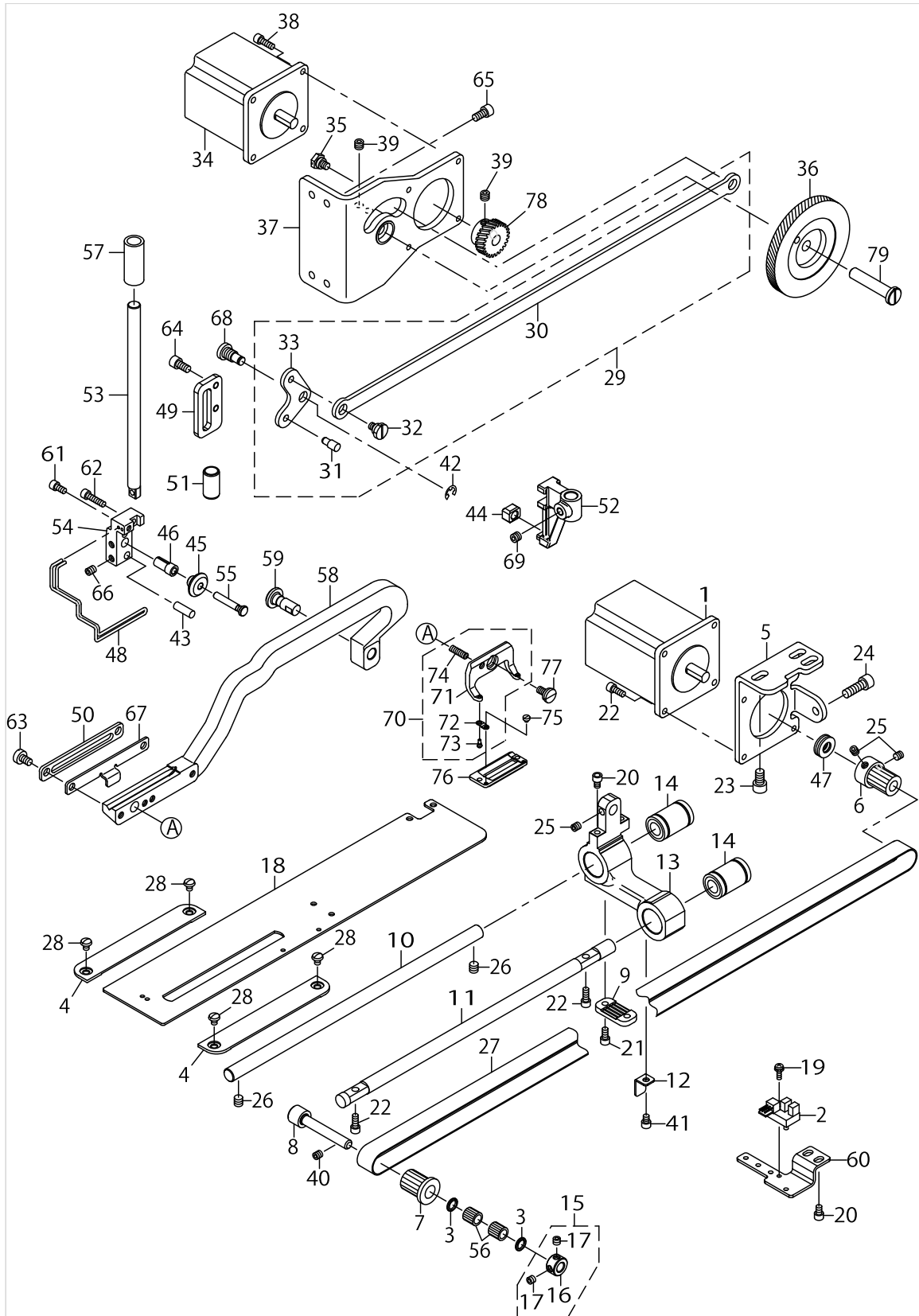
HOOK DRIVING SHAFT COMPONENTS



HOOK DRIVING SHAFT COMPONENTS

No.	Supply Code	Parts No.	Replacement	Parts name	Remarks	Choice	Step	Level	Cons	Qty	Rep. QTY
1		SB112001600		BEARING						2	
2		SB110000600		BALL BEARING						2	
3		SB115000200		BEARING						1	
4		SB115001500		BEARING						1	
5		40004188		BEARING_SUPPORT						1	
6		23536204		BUSH						2	
7		RC2791218KP		RETAINING RING						2	
8		40004186		HOOK_DRIVING_SHAFT						1	
9		40004187		HOOK_DRIVING_SHAFT_METAL						1	
10		SM8050502TP		SCREW M5 L=5						2	
11		13710306		INTERMEDIATE SPROCKET SHAFT						1	
12		13710504		INTERMEDIATE SPR- OCKET WASHER						1	
13		13729066		HOOK COMPL.					☆	1	
14		40141739		LOWER_SHAFT_KNOB_B						1	
15		SM80606A2TP		SCREW M6 L=6						10	
16		40011355		OIL_FILTER						2	
17		14504401		BEARING SUPPORT						1	
18		40004180		SPROCKET_B						1	
19		40141740		SPROCKET_C						1	
20		13710405		INTERMEDIATE SPROCKET RING						1	
21		40006317		WASHER						1	
22		40142753		ADJUSTING_PIN_B						1	
23		40142754		ADJUSTING_SPRING_B						1	
24		40142752		ADJUSTING_SCREW_B						1	
25		40006320		FELT						1	
26		23630007		TUBE						1	
27		CQ202000000		OIL WICK						1	
28	R	B1811771000	40009148	BOBBIN					☆	1	1.00
29		13729769		BOBBIN CASE ASM.					☆	1	
30		13729652		HOOK SLEEVE CONNEC.						1	
31		13729603		HOOK SLEEVE					*	1	
32		CQ252000000		OIL WICK					*	0.04	
33		HX002550000		TUBE					*	0.017	

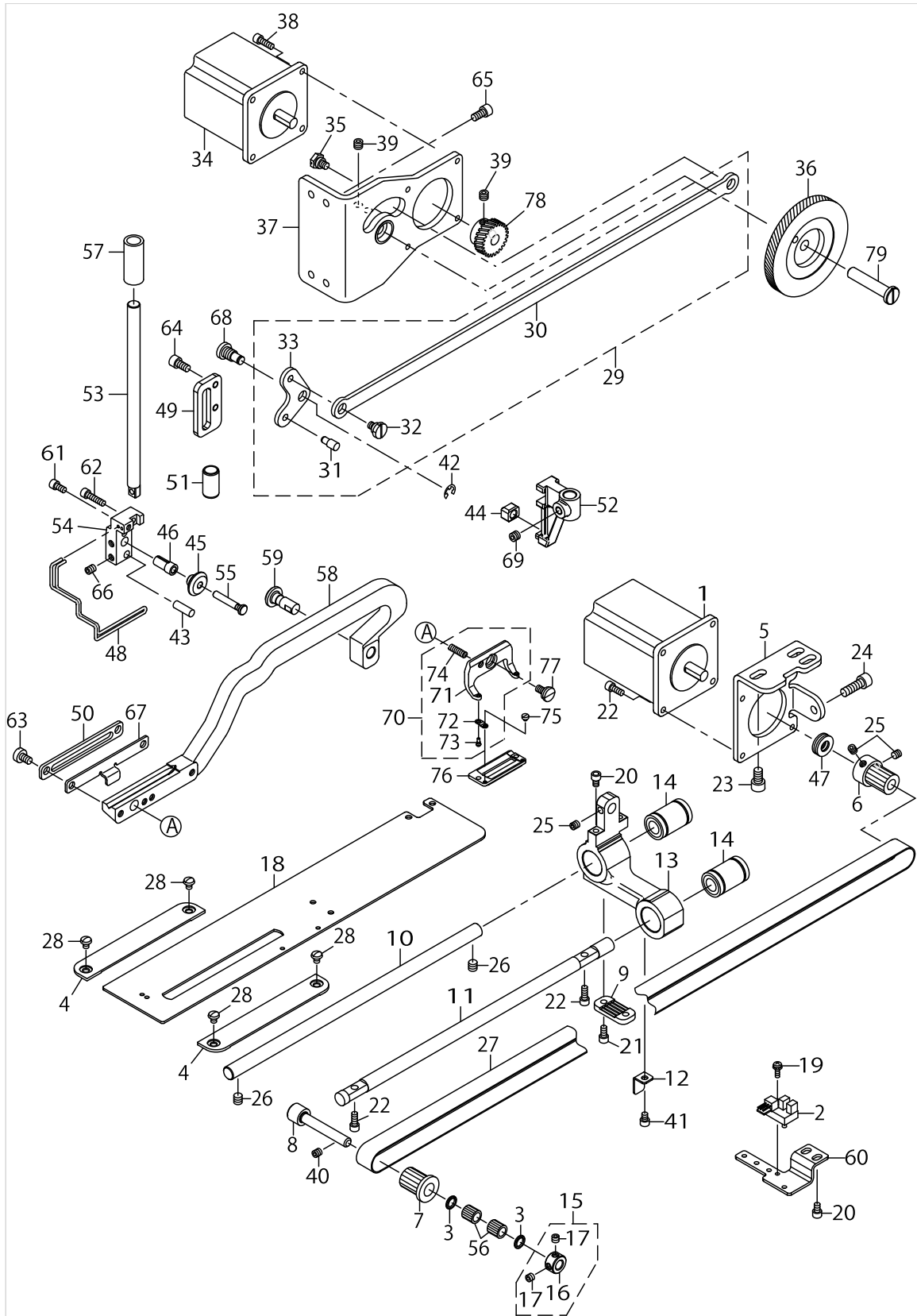
PRESSER & FEED COMPONENTS



PRESSER & FEED COMPONENTS

No.	Supply Code	Parts No.	Replacement	Parts name	Remarks	Choice	Step	Level	Cons	Qty	Rep. QTY
1		40139181		FEED MOTOR ASSY						1	
2		HD00057000A		PHOTO SENSOR						1	
3		22891204		BEARING SUPPORT						2	
4		40075297		THROAT_PLATE_BASE_COVER						2	
5		40004194		MOTOR_BRACKET						1	
6		40108754		PULLEY_B						1	
7		40004197		PULLEY_C						1	
8		40004198		SUPPORT_SHAFT						1	
9		40004200		TIMING_BELT HOLDER						1	
10		40004201		FEED_SHAFT						1	
11		40022121		FEED_GUIDE_SHAFT						1	
12		40141744		SENSOR_SLIT_PLATE						1	
13		40141741		FEED_BASE						1	
14		SB710000600		BEARING						2	
15		40010434		THRUST_COLLAR_ASM.						1	
16	R	40010435	40010434	THRUST_COLLAR				*		1	1.00
17		SM8050412TP		SCREW M5 L=4				*		2	
18		40004205		WORK_CLAMP_CARRIER						1	
19		SL4031091SC		SCREW M3 L=10						1	
20		SM6040602TP		SCREW M4 L=6						4	
21		SM6040802TP		SCREW M4X0.7 L=8						2	
22		SM6041002TP		SCREW M4 L=10						6	
23		SM6061002TP		SCREW M6 L=10						3	
24		SM6061802TP		SCREW M6 L=18						1	
25		SM8050502TP		SCREW M5 L=5						3	
26		SM80606A2TP		SCREW M6 L=6						2	
27		40141742		TIMING_BELT						1	
28		SM5040550TP		SCREW M4 L=5						4	
29		40142161		LIFTING_LINK_ASSY						1	
30		40141788		LINK_ROD_S				*		1	
31		40141801		LIFTING_LINK_PIN				*		1	
32		SD0800326TP		SHOULDER SCREW				*		1	
33		40142755		LIFTING_LINK				*		1	
34		40139182		CLAMP MOTOR ASSY						1	
35		SD0800326TP		SHOULDER SCREW						1	
36		40004289		ASSY PBL GEAR L						1	
37		40004267		ASSY_PBL_MOTOR_BASE						1	
38		SM6041202TP		SCREW M4X0.7 L=12						4	
39		SM8060552TP		SCREW M6 L=5						5	
40		SM8050502TP		SCREW M5 L=5						1	
41		SM6040502TP		SCREW M4X0.7 L=5						1	
42		RE0500000K0		E-RING						1	
43		13127402		PIN (SHORT) C						1	
44		40141757		SQUARE_BLOCK						1	
45		40141755		SLIDE_ROLLER						1	
46		40141754		COLLAR						1	

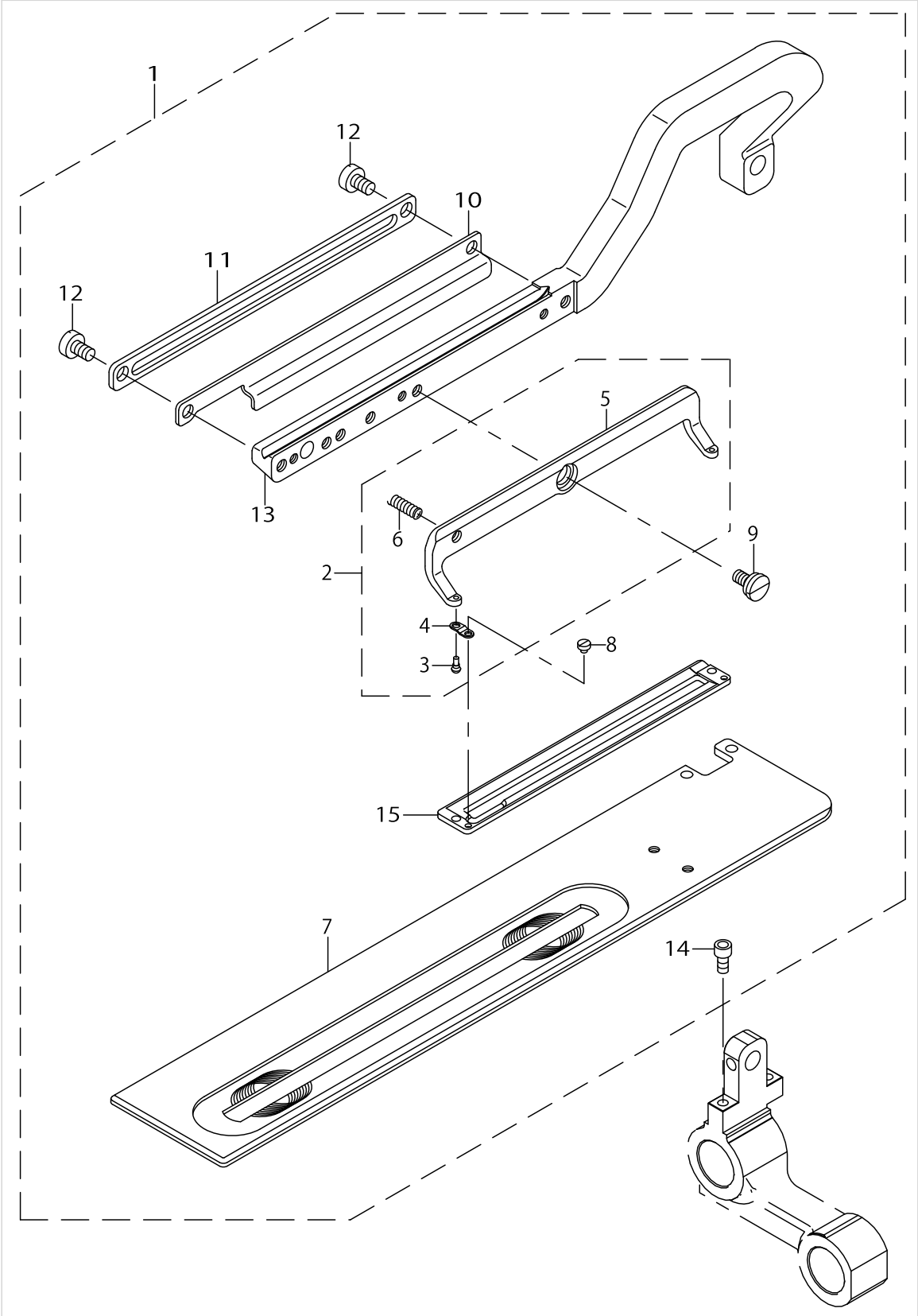
PRESSER & FEED COMPONENTS



PRESSER & FEED COMPONENTS

No.	Supply Code	Parts No.	Replacement	Parts name	Remarks	Choice	Step	Level	Cons	Qty	Rep. QTY
47		SB408000100		BEARING						1	
48		40004285		PBL_FINGER_GUARD					☆	1	
49		40141794		PBL_GUIDE						1	
50		40004280		PBL_LIFTING_PLATE						1	
51		40004279		PBL_METAL						1	
52		40141747		POSITION_BRACKET						1	
53		40141745		PRESSER_BAR						1	
54		40141753		PBL_ROLLER_BASE						1	
55		40141756		PBL_ROLLER_SHAFT						1	
56		SB307000200		BEARING						2	
57		40141746		METAL_U						1	
58		40004287		PBL_WORK_CLAMP_ARM						1	
59		40004288		PBL_WORK_CLAMP_ARM_SHAFT						1	
60		40141743		SENSOR_PLATE						1	
61		SM6040802TP		SCREW M4X0.7 L=8						1	
62		SM6041602TP		SCREW M4X0.7 L=16						1	
63		SM6050800SP		SCREW M5 L=8						2	
64		SM6051002TP		SCREW M5X0.8 L=10						4	
65		SM6051002TP		SCREW M5X0.8 L=10						4	
66		SM8050602TP		SCREW M5 L=6						2	
67		40020310		UTT_CLOSE_CAM_B						1	
68		40141748		LIFTING_LINK_SHAFT						1	
69		SM8060612TP		SCREW M6 L=6						1	
70	R	D1511771KA0A	B15117710A0B	WORK_CLAMP_CHECK HOLDER ASM.						1	1.00
71		B1511771000B		PRESSER FOOT					*	1	
72		B1509761000		WORK_CLAMP_CHECK SPRING					*	2	
73		B151077100B		WORK_CLAMP_CHECK SPRING SET PIN(B)					*	2	
74		B1512761000		WORK_CLAMP_CHECK HOLDER SPRING					*	1	
75		SS6060210SP		SCREW 3/32-56 L=1.9						2	
76		B1552781000A		PRESSER					☆	1	
77		SD0790203SP		HINGE SCREW D=7.94 H=2						1	
78		40004291		PBL_GEAR S						1	
79		40004275		PBL_GEAR_SHAFT						1	

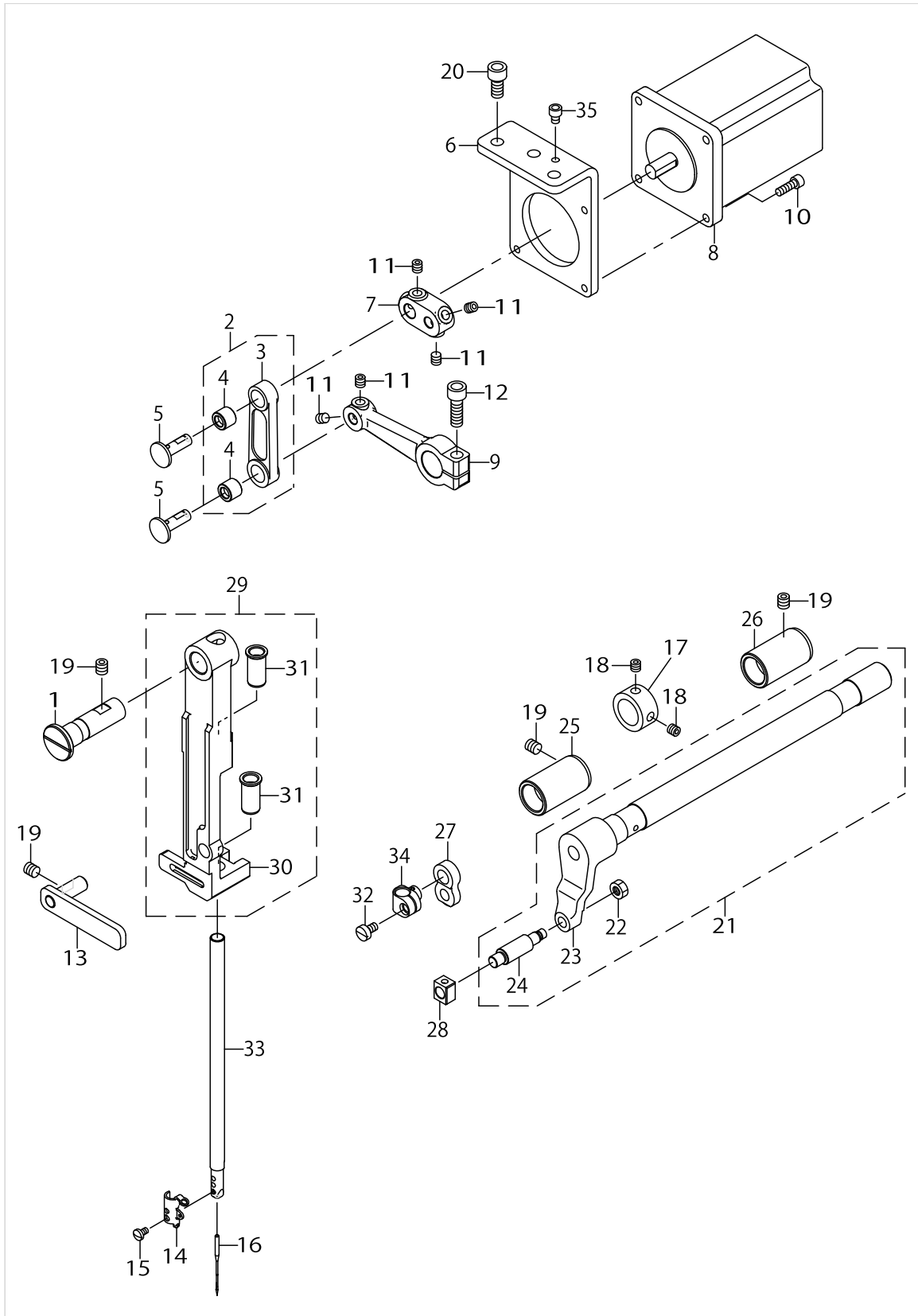
PRESSER & FEED COMPONENTS (FOR LBH-1795AS)



PRESSER & FEED COMPONENTS (FOR LBH-1795AS)

No.	Supply Code	Parts No.	Replacement	Parts name	Remarks	Choice	Step	Level	Cons	Qty	Rep. QTY
1		40067165		LIFTING PLATE PARTS 120MM						1	
2		40008646		ASSY_WORK_CLAMP- P_CHECK HOLDER_120				*		1	
3		B151077100B		WORK CLAMP CHE- CKSPRINGSETPIN(B)				*		2	
4		B1509761000		WORK CLAMP CHECK SPRING				*		2	
5		40008647		WORK_CLAMP_CHECK_HOLDER_120				*		1	
6		40008638		WORK_CLAMP_CHE- CK_HOLDER_SPRING B				*		1	
7		40006339		WORK_CLAMP_CARRIER_120				*		1	
8		SS6060210SP		SCREW 3/32-56 L=1.9				*		6	
9		SD0790203SP		HINGE SCREW D=7.94 H=2				*		3	
10		40028682		UTT_CLOSE_CAM_120B				*		1	
11		40112711		LIFTING_PLATE_120				*		1	
12		SM6050800SP		SCREW M5 L=8				*		2	
13		40006335		WORK_CLAMP_ARM_120				*		1	
14		SM6040802TP		SCREW M4X0.7 L=8				*		2	
15		40008658		WORK_CLAMP_120				*	☆	1	

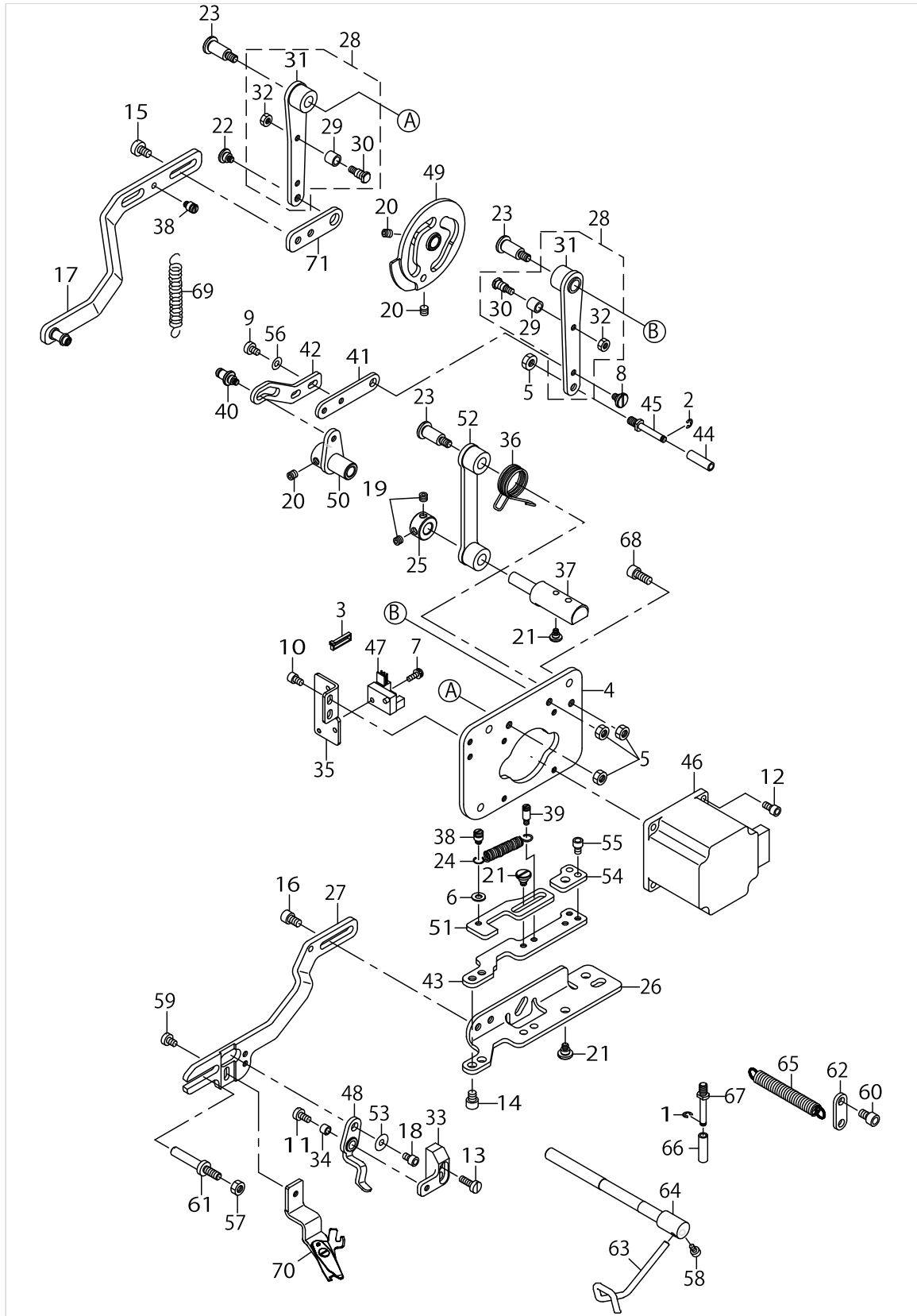
NEEDLE BAR ROCKING COMPONENTS



NEEDLE BAR ROCKING COMPONENTS

No.	Supply Code	Parts No.	Replacement	Parts name	Remarks	Choice	Step	Level	Cons	Qty	Rep. QTY
1		40088990		SUPPORT_SHAFT						1	
2		40004378		ZIGZAG ROD ASM.						1	
3	R	40004379	40004378	ZIGZAG ROD				*		1	1.00
4	R	23530405	23530355	SHAFT HOLDER LINK BUSH				*		2	1.00
5		40008671		P=JUNCTION SHAFT SELECTIVE PARTS	SELECTIVE PARTS					2	
6		40141758		ZIGZAG_DRIVE_UNIT_BASE						1	
7		40141759		MOTOR_LEVER						1	
8		40139180		NEEDLE SWING MOTOR ASSY						1	
9		40141760		ZIGZAG_LEVER_REAR						1	
10		SM6041202TP		SCREW M4X0.7 L=12						4	
11		SM8050502TP		SCREW M5 L=5						6	
12		SM6061802TP		SCREW M6 L=18						1	
13		40004218		FRAME SUPPORT PLATE ASM.						1	
14		13706403		NEEDLE BAR THREAD GUIDE					☆	1	
15		SM7030550TP		SCREW M3 L=4.5					☆	1	
16		MDP5J0B1100		NEEDLE DPX5 #11J					☆	1	
17		CS1501181TP		THRUST COLLAR D=15 W=11						1	
18		SM8050502TP		SCREW M5 L=5						2	
19		SM80606A2TP		SCREW M6 L=6						4	
20		SM6061202TP		SCREW M6 L=12						3	
21		40004224		ZIGZAG LEVER SHAFT ASM.						1	
22		NM6050001SP		NUT M5				*		1	
23	R	40004373	40004224	ZIGZAG LEVER SHAFT				*		1	1.00
24	R	40004374	40004224	ZIGZAG_STUD				*		1	1.00
25		40004216		BUSHING						1	
26		40004217		BUSHING REAR						1	
27		40004209		NEEDLE_BAR_ROD						1	
28		B1414232000		SQUARE BLOCK						1	
29		40004222		NEEDLE_BAR_FRAME_ASSY						1	
30		40004212		NEEDLE_BAR_FRAME				*		1	
31		40004213		NEEDLE BAR METAL				*		2	
32		SM6040750TP		SCREW M4 L=7						1	
33		40004215		NEEDLE BAR						1	
34		40004214		NEEDLE_BAR_CONNECTION						1	
35		SM6040502TP		SCREW M4X0.7 L=5						1	

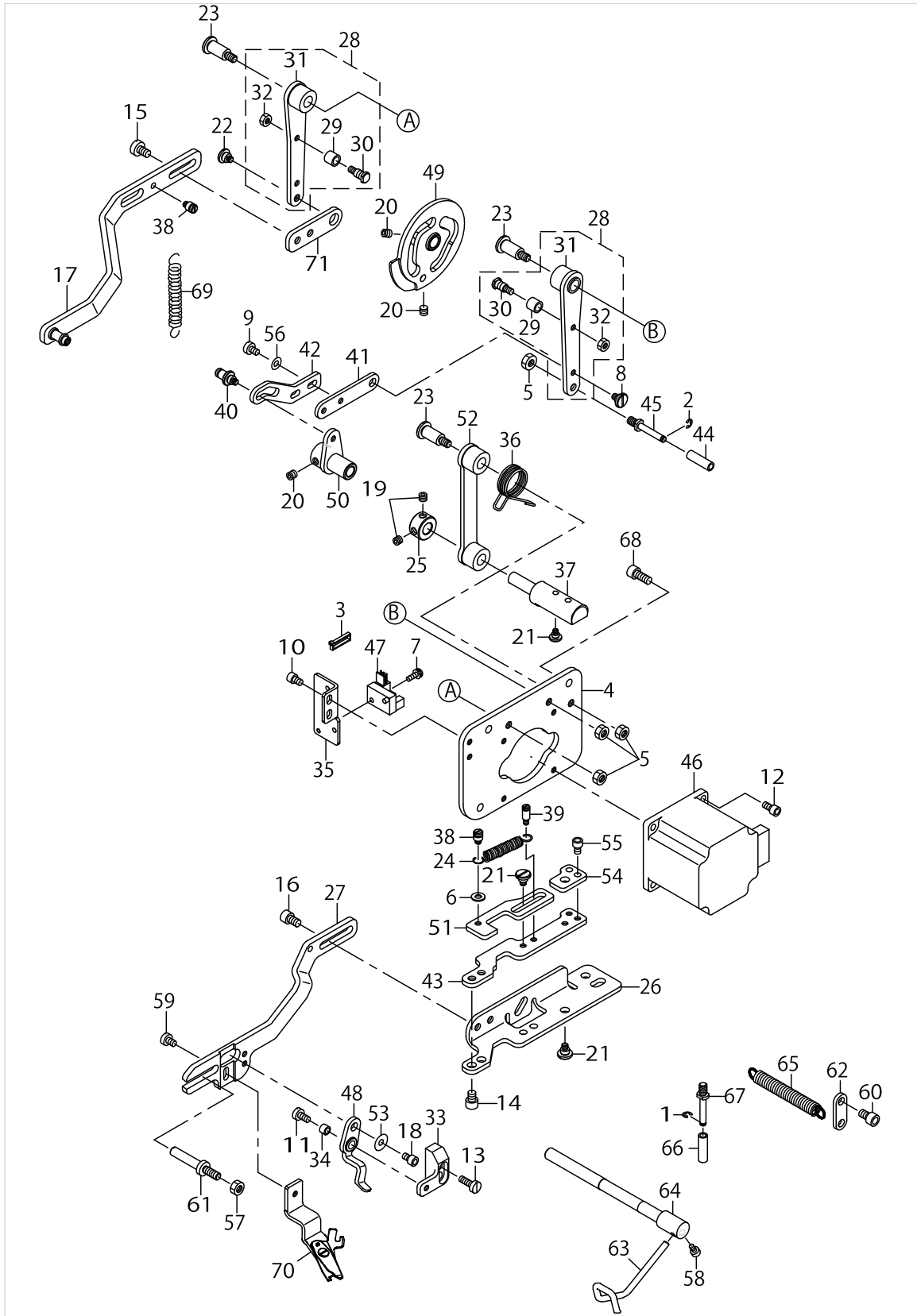
NEEDLE THREAD TRIMMER COMPONENTS



NEEDLE THREAD TRIMMER COMPONENTS

No.	Supply Code	Parts No.	Replacement	Parts name	Remarks	Choice	Step	Level	Cons	Qty	Rep. QTY
1		RE030000K0		E-RING 3						1	
2		RE030000K0		E-RING 3						1	
3		EA9500B0100		CABLE BAND						1	
4		40004293		UTT BASE PLATE						1	
5		NM6050001SP		NUT M5						4	
6		WP0430801SC		WASHER 4.3X9X0.8						1	
7		SL4031091SC		SCREW M3 L=10						1	
8		SD0600266TP		SHOULDER SCREW D=6 H=2.6						1	
9		SM6040600SP		SCREW M4 L=6						2	
10		SM6040602TP		SCREW M4 L=6						2	
11		SM6040860TP		SCREW M4 L=8						1	
12		SM6040802TP		SCREW M4X0.7 L=8						4	
13		SM6041200SP		SCREW M4 L=12						2	
14		SM6050652TP		HEXAGON SOCKET HEAD SCREW M5X6						2	
15		SM6050800SP		SCREW M5 L=8						2	
16		SM6050802TP		SCREW M5X0.8 L=8						2	
17		40004400		ASSY UTT RELEASE ARM B						1	
18		SM6040602TP		SCREW M4 L=6						1	
19		SM8050412TP		SCREW M5 L=4						2	
20		SM8050502TP		SCREW M5 L=5						4	
21		SD0600326TP		SHOULDER SCREW D=6 H=3.2						4	
22		SD0800406TP		SHOULDER SCREW D=8 H=4						1	
23		SD0801506TP		SHOULDER SCREW D=8 H=15						3	
24		11272507		SPRING						1	
25		CS0800881TP		THRUST COLLAR						1	
26		40004235		UTT ARM A						1	
27		40004238		UTT_ARM_B						1	
28		40101641		ASSY_UTT_CAM_ARM						2	
29		40004254		UTT CAM ROLLER				*		1	
30		40101638		UTT_CAM_ROLLER_SHAFT				*		1	
31		40101642		UTT_CAM_ARM				*		1	
32		NM6040000SN		NUT M4				*		1	
33		40004264		UTT RELEASE LEVER BASE						1	
34		40004265		UTT RELEASE LEVER SHAFT						1	
35		40141774		SENSOR_PLATE_UTT						1	
36		40004296		UTT_SUPPORT_ARM_SPRING						1	
37		40004234		UTT SUPPORT SHAFT						1	
38		40004248		UTT SUSPENSION SCREW 4						2	
39		40004252		UTT SUSPENSION SCREW 9						1	
40		40004247		UTT SUSPENSION SHOULDER SCREW						1	
41		40004244		UTT THREAD PULLING LINK A						1	
42		40004245		UTT THREAD PULLING LINK B						1	
43		40004236		UTT X-CAM						1	
44		40004297		UTTY-DRIVEROLLER						1	
45		40004298		UTT Y-DRIVE SHAFT						1	

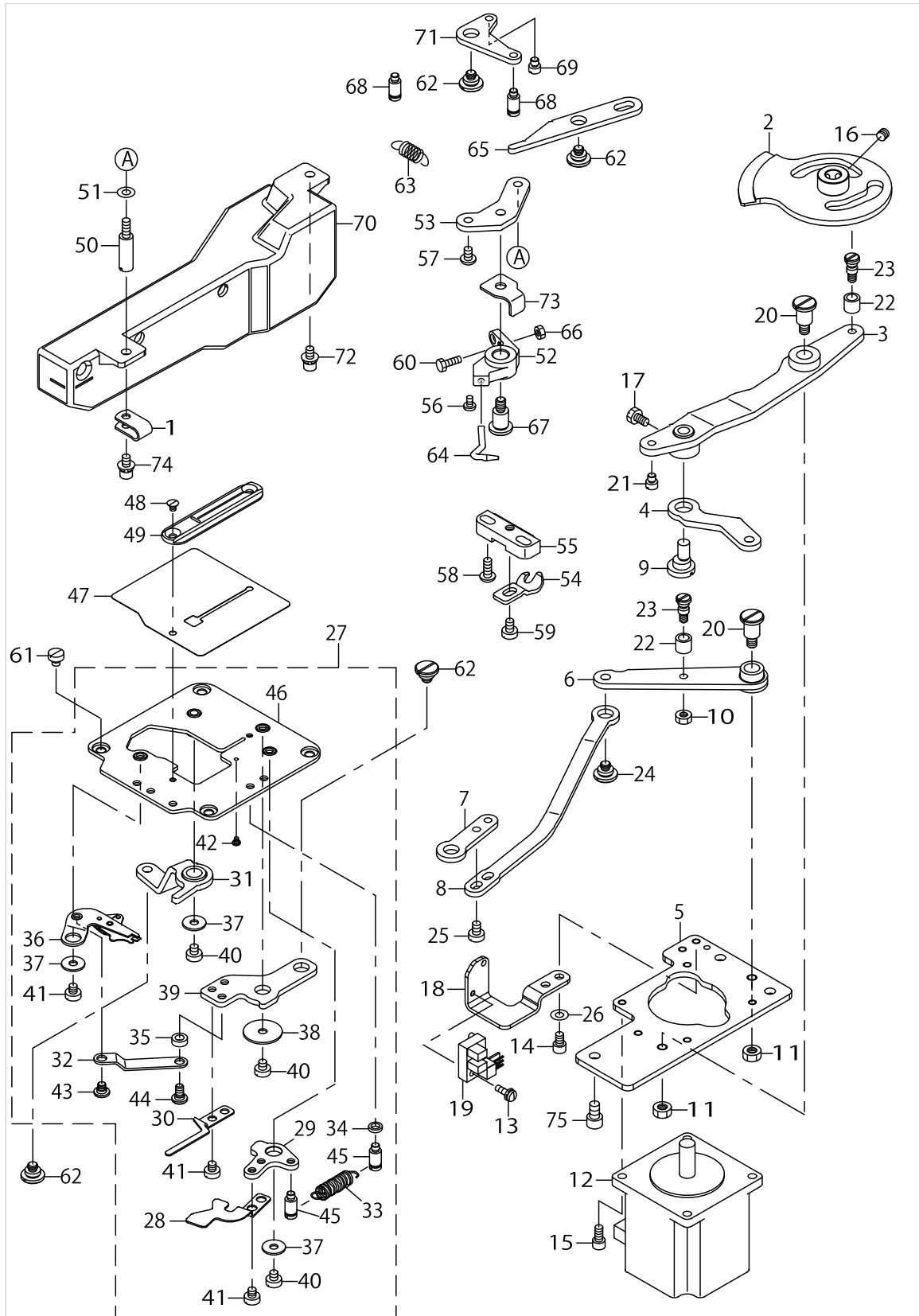
NEEDLE THREAD TRIMMER COMPONENTS



NEEDLE THREAD TRIMMER COMPONENTS

No.	Supply Code	Parts No.	Replacement	Parts name	Remarks	Choice	Step	Level	Cons	Qty	Rep. QTY
46		40140040		UTT TRIM MOTOR ASSY						1	
47		HD00057000A		PHOTO SENSOR						1	
48		40028634		ASSY_UTT_RELEASE_LEVER_B						1	
49		40142166		ASSY_UTT_DRIVE_CAM						1	
50		40004240		ASSY_UTT_THREAD_PULLING_ARM						1	
51		40015702		UTT_RATCH_PLATE_B						1	
52		40004232		ASSY_UTT_SUPPORT_ARM						1	
53		WP0431005SP		PLAIN WASHER 4.3X12X1						1	
54		40015674		UTT_RATCH_STOPPER						1	
55		SM6040602TP		SCREW M4 L=6						2	
56		WP0550800SP		WASHER 5.5X10X0.8						2	
57		NM6050001SP		NUT M5						1	
58		SM6040602TP		SCREW M4 L=6						1	
59		SM6040600SP		SCREW M4 L=6						1	
60		SM6050802TP		SCREW M5X0.8 L=8						1	
61		40028636		UTT_GUIDE_SHAFT_B						1	
62		40004249		UTT SUSPENSION PLATE						1	
63		40004243		UTT THREAD PULLING LEVER						1	
64		40004246		UTT THREAD PULLING SHAFT						1	
65		40004250		UTT TRIMMER CLOSE SPRING						1	
66		40004297		UTTY-DRIVEROLLER						1	
67		40004298		UTT Y-DRIVE SHAFT						1	
68		SM6051202TP		SCREW M5X0.8 L=12						3	
69		MAZ16013000		BUTTON SUPPORT LEVER SPRING						1	
70		40004255		ASSY_UTT_TRIMMER					☆	1	
71		40004294		UTT RELEASE ARM A						1	

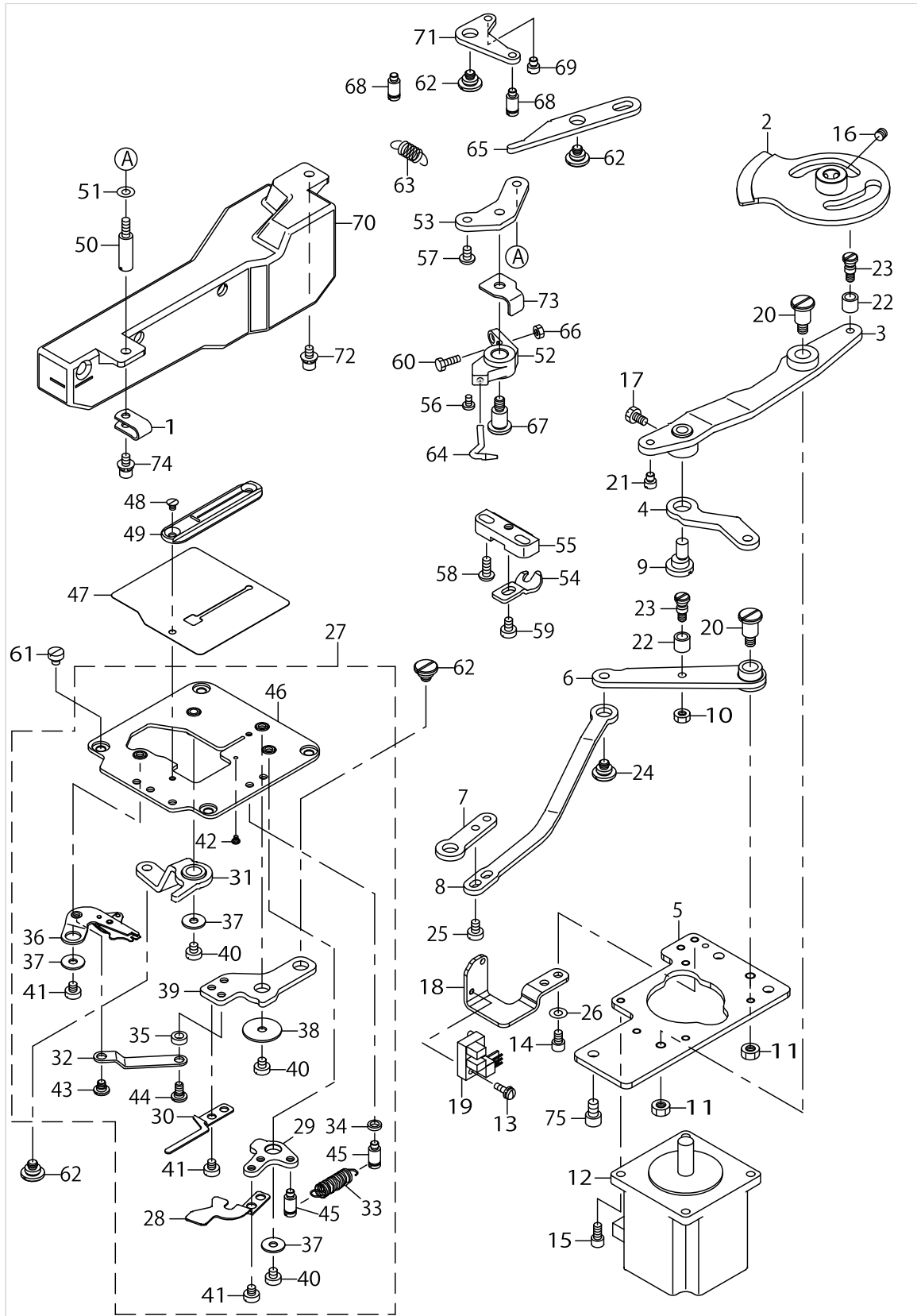
BOBBIN THREAD TRIMMER COMPONENTS



BOBBIN THREAD TRIMMER COMPONENTS

No.	Supply Code	Parts No.	Replacement	Parts name	Remarks	Choice	Step	Level	Cons	Qty	Rep. QTY
1		HX00150000A		CABLE CLAMP						1	
2		40142170		ASSY_BTT_DRIVE_CAM						1	
3	R	40004336	40101645	ASSY_BTT_DRIVE_LEVER						1	1.00
4		40004329		BTT_DRIVE_LINK						1	
5		40141778		BTT_DRIVE_UNIT_BASE						1	
6		40101649		BTT_RELEASE_LEVER						1	
7		40004343		BTT_RELEASE_LINK_F						1	
8		40004344		BTT_RELEASE_LINK_R						1	
9		13737408		LINK ROD						1	
10		NM6040001SD		NUT M4						1	
11		NM6050001SP		NUT M5						2	
12		40140041		DTTRIMMOTORASSY						1	
13		SL4031091SC		SCREW M3 L=10						1	
14		SM6040602TP		SCREW M4 L=6						2	
15		SM6040802TP		SCREW M4X0.7 L=8						4	
16		SM8050412TP		SCREW M5 L=4						2	
17		SM9040700SP		HEXAGONAL BOLT						1	
18		40141779		SENSOR_PLATE_BTT						1	
19		HD00057000A		PHOTO SENSOR						1	
20		SD0801006TP		SHOULDER SCREW D=8 H=10						2	
21		40004299		STOPPER_PIN						1	
22		40004254		UTT_CAM_ROLLER						2	
23		40101638		UTT_CAM_ROLLER_SHAFT						2	
24		SD0800296TP		SHOULDER SCREW D=8 H=2.9						1	
25		SM6040600SP		SCREW M4 L=6						2	
26		WP0430801SC		WASHER 4.3X9X0.8						2	
27		40021998		THROAT_PLATE_BASE_UNIT						1	
28		40022323		BT_CLAMP_B				*	☆	1	
29		40004309		BT_CLAMP_LEVER				*		1	
30		40022322		BT_PULLER_B				*	☆	1	
31		40004321		ASSY_BT_RELEASE_ARM				*		1	
32		40004308		BT_TRIMMER_LINK				*		1	
33		40029613		CLAMP_SPRING				*		1	
34		B1623180000		WASHER				*		1	
35		B3013141H0A		WASHER				*		1	
36		40004311		BT_TRIMMER				*	☆	1	
37		WP0431005SP		PLAIN WASHER 4.3X12X1				*		3	
38		WP0451016SP		WASHER 4.5X20X1				*		1	
39		40004306		BTT_LEVER				*		1	
40		SM6040450TP		SCREW M4 L=4				*		3	
41		SM6040450TP		SCREW M4 L=4				*		5	
42		SD0250101SP		HINGE SCREW				*		1	
43		SD0500166TP		SHOULDER SCREW D=5 H=1.6				*		1	
44		SD0500167TP		SHOULDER SCREW D=5 H=1.6				*		1	
45		40004327		SUSPENSION_SCREW				*		2	
46	R	40004301	40176885	ASSY_THROAT_PLATE_BASE				*		1	1.00

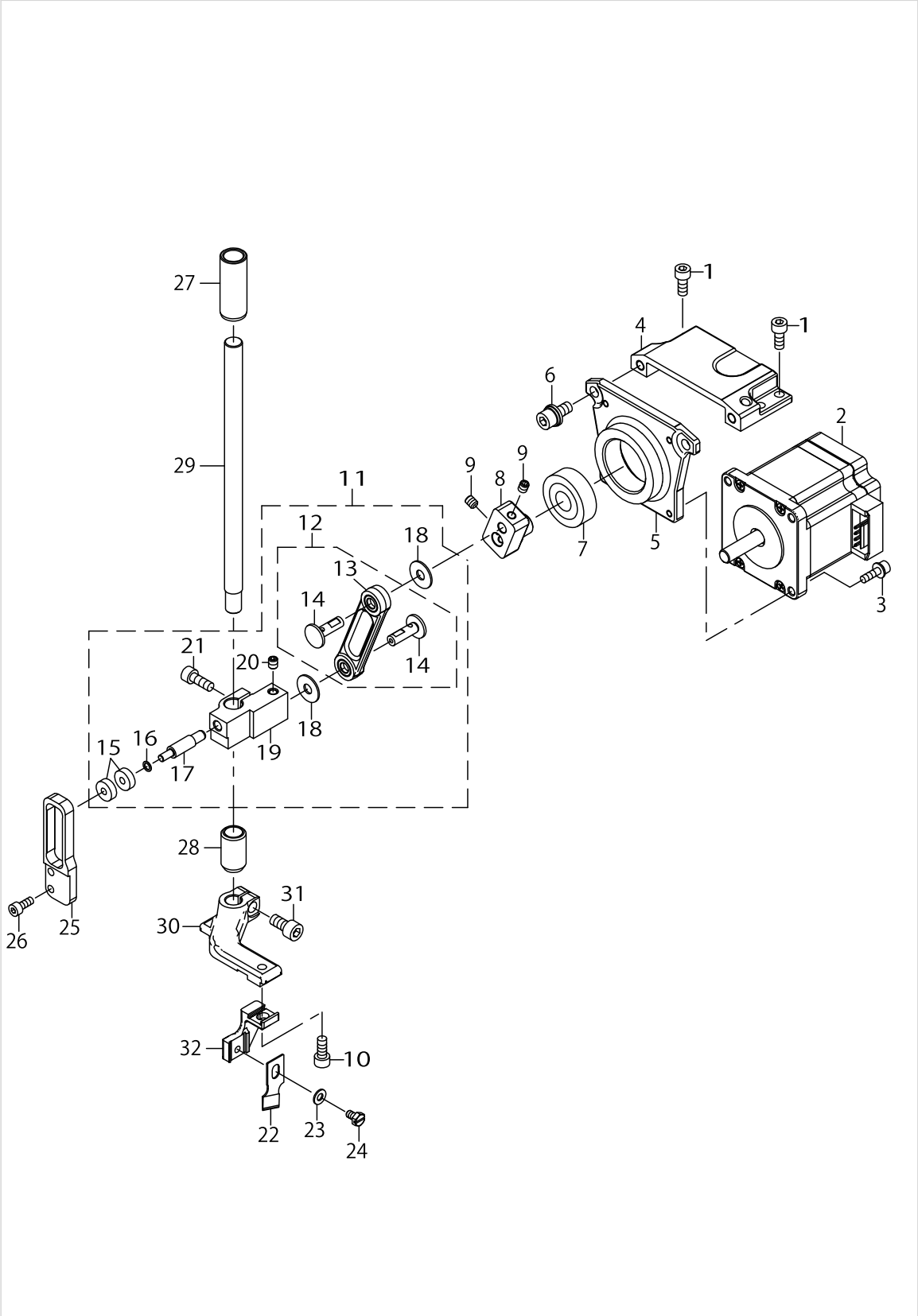
BOBBIN THREAD TRIMMER COMPONENTS



BOBBIN THREAD TRIMMER COMPONENTS

No.	Supply Code	Parts No.	Replacement	Parts name	Remarks	Choice	Step	Level	Cons	Qty	Rep. QTY
47		40004324		OIL_SHIELD						1	
48		SM1030400SP		SCREW M3 L=4						2	
49		40027553		THROAT_PLATE(1790S5)					☆	1	
50		40011205		STUD						1	
51		WP0430800SC		WASHER M4						1	
52		40004345		PICKER_BASE						1	
53		40004347		PICKER_BASE_FITTING_PLATE						1	
54		13727102		STOPPER A					☆	1	
55	D	13729306		BOBBIN CASE POSITIONING PLATE						1	
56		SM7030550TP		SCREW M3 L=4.5						1	
57		SM6040602TP		SCREW M4 L=6						1	
58		SM4041050TP		SCREW M4 L=10						2	
59		SM6040600SP		SCREW M4 L=6						1	
60		SM6041200SP		SCREW M4 L=12						1	
61		SM6040450TP		SCREW M4 L=4						4	
62		SD0800296TP		SHOULDER SCREW D=8 H=2.9						4	
63		40011327		PICKER_SPRING						1	
64		40004346		PICKER					☆	1	
65		40004348		PICKER_ACTUATING_LEVER						1	
66		NM6040001SD		NUT M4						1	
67		SD0801006TP		SHOULDER SCREW D=8 H=10						1	
68		40004327		SUSPENSION_SCREW						2	
69		40004299		STOPPER_PIN						1	
70		40141802		OIL_TANK						1	
71		40004349		PICKER_ACTUATING_L_LINK						1	
72		SL6040892TN		SCREW						4	
73		40004328		PICKER_BASE_STOPPER						1	
74		SL6041292TN		SCREW						1	
75		SM6050802TP		SCREW M5X0.8 L=8						3	

CLOTH CUTTING KNIFE COMPONENTS



CLOTH CUTTING KNIFE COMPONENTS

No.	Supply Code	Parts No.	Replacement	Parts name	Remarks	Choice	Step	Level	Cons	Qty	Rep. QTY
1		SM6051202TP		SCREW M5X0.8 L=12						4	
2		40139183		CLOTH CUT MOTOR ASSY						1	
3		SL6041492TN		SCREW						4	
4		40141781		MOTOR_BASE_A						1	
5		40141780		MOTOR_BASE_B						1	
6		SL6061492TN		BOLT						2	
7	R	SB112000300	SB1120003C0	BEARING						1	1.00
8		40141782		KNIFE_DRIVING_BLOCK						1	
9		SM8050612TP		SCREW M5X6						3	
10		SM6051202TP		SCREW M5X0.8 L=12						1	
11		40142163		KNIFE_DRIVING_ASSY						1	
12		40142164		KNIFE_DRIVING_LINK_ASSY				*		1	
13		40141783		KNIFE_DRIVING_LINK_COMBINATION				*		1	
14		40008671		P=JUNCTION SHAFT SELECTIVE	SELECTIVE PARTS			*		2	
15	R	SB104000800	SB1040008C0	BEARING				*		2	1.00
16		40010489		AT_PIVOT_SCREW_WASHER				*		1	
17		40141786		SUPPORT_SHAFT				*		1	
18		40042089		THRUST WASHER				*		2	
19		40141785		KNIFE_BAR_BRACKET				*		1	
20		SM8050612TP		SCREW M5X6				*		1	
21		SM6051402TP		SCREW M5X0.8 L=14				*		1	
22		B2702047L00A		KNIFE 1/2					☆	1	
23		WP0430801SC		WASHER M4						1	
24		SM9040700SP		HEXAGONAL BOLT					☆	1	
25		40141787		SUPPORT_GUIDE						1	
26		SM6041002TP		SCREW M4 L=10						2	
27		40004398		KNIFE_BAR_BUSH						1	
28		40040276		KNIFE_BAR_LOWER_BUSHING						1	
29		40004394		KNIFE BAR						1	
30		40004396		KNIFE BAR BASE						1	
31		SM6061202TP		SCREW M6 L=12						1	
32		40004393		KNIFE FITTING BASE						1	

TABLE COMPONENTS

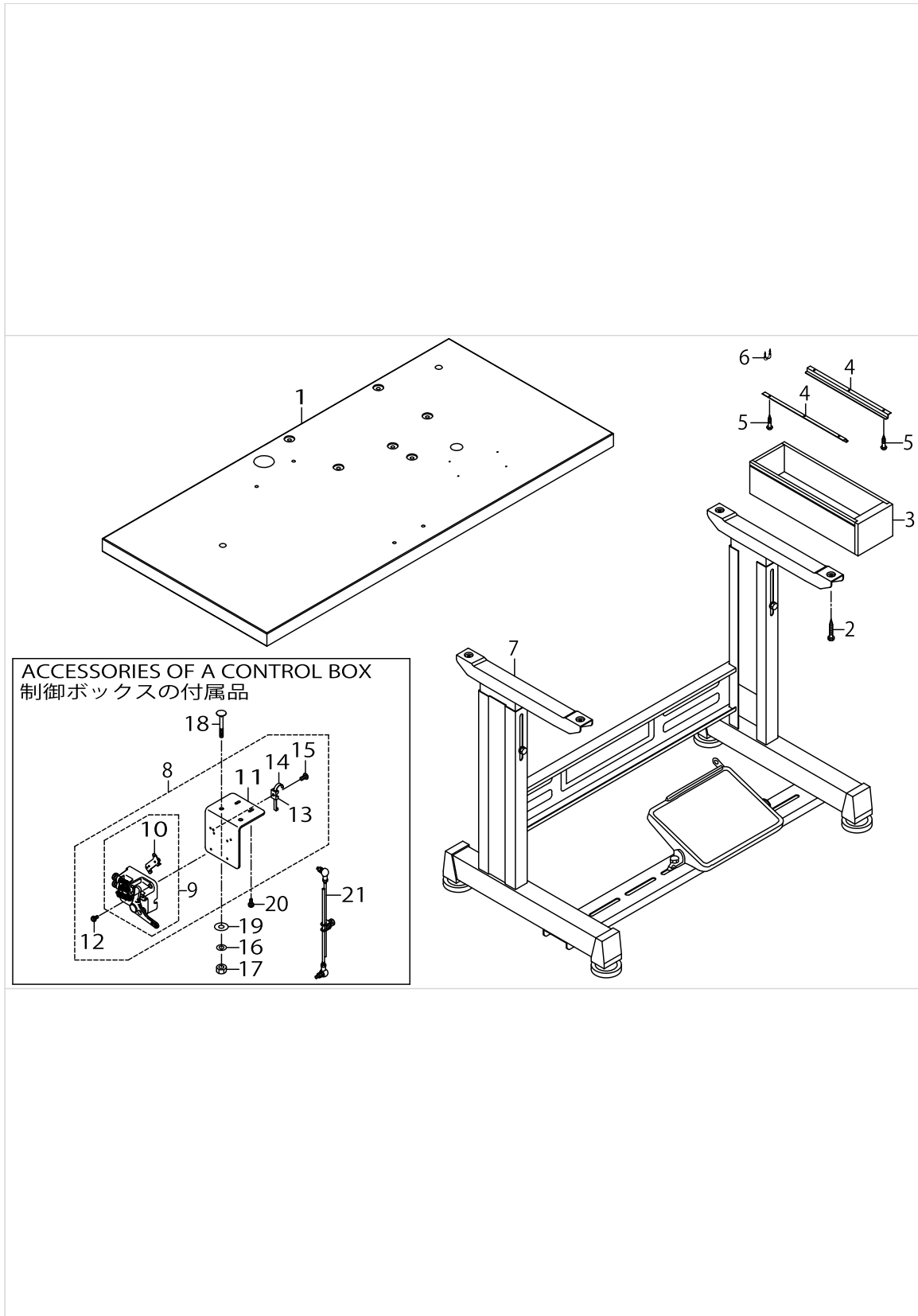
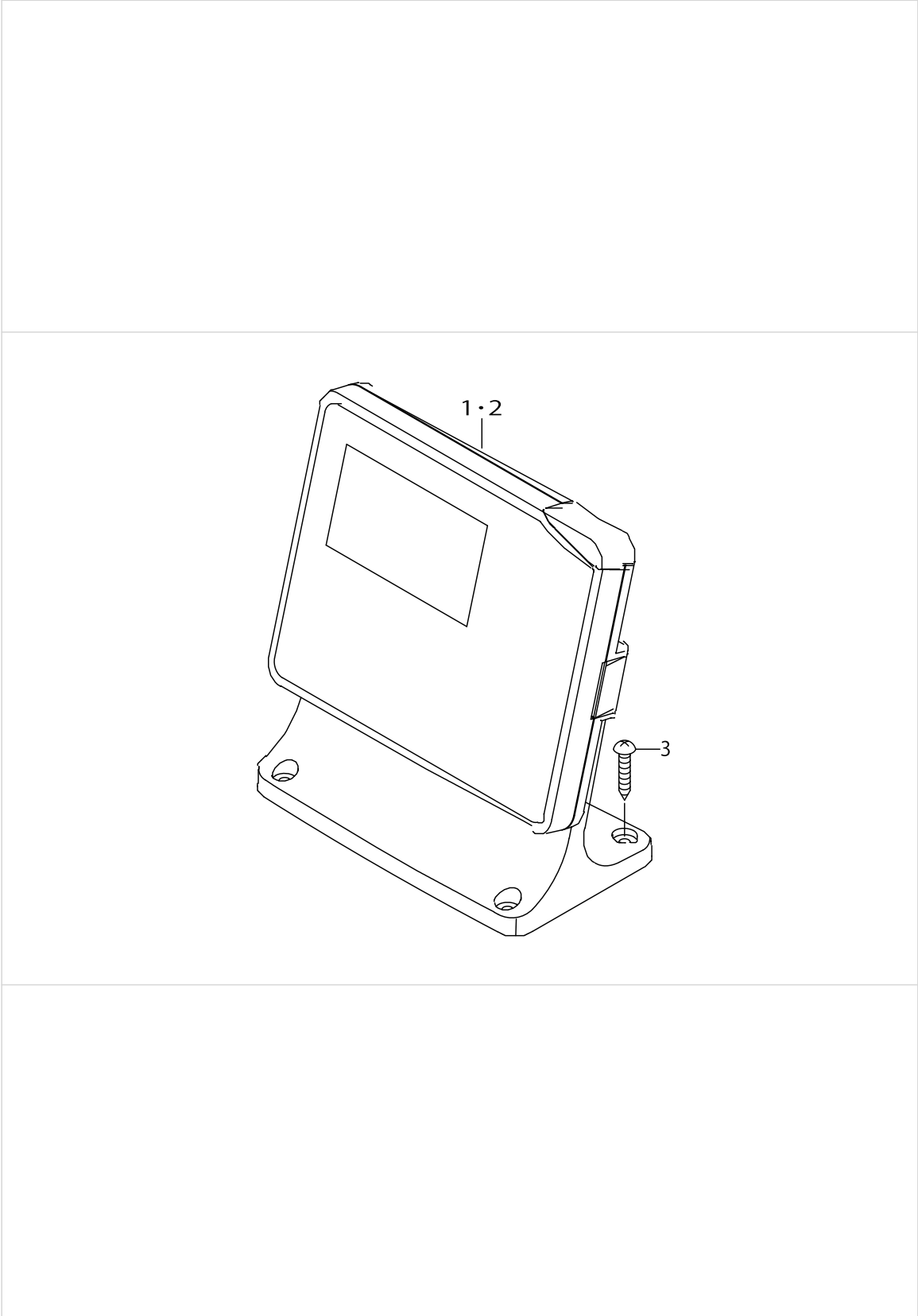


TABLE COMPONENTS

No.	Supply Code	Parts No.	Replacement	Parts name	Remarks	Choice	Step	Level	Cons	Qty	Rep. QTY
1		40142966		TABLE						1	
2		ST9053511SR		TAPPING SCREW M5X35						4	
3	R	11155108	11155157	DRAWER						1	1.00
4		11155207		DRAWER SUPPORT						2	
5	R	SK3311600SC	SK3311601SE	WOOD SCREW D=3.1 L=16						6	1.00
6		D8204555D00		DRAWER STOPPER						1	
7		11157567		T LEG JUNCTION						1	
8		40094262		PEDAL SENSOR BASE ASSY						1	
9		40094259		PEDAL SENSOR ASM.				*		1	
10		40094260		SENSOR COIL HOLD ASSY				*		1	
11	R	40093423	40099913	SENSOR_BRACKET				*		1	1.00
12		SL4041091SC		SCREW M4 L=10				*		3	
13		KX000000210		SADDLE TYPE TIE MOUNT				*		1	
14		KX000000230		RELEASIBLE CABLE TIE				*		1	
15	R	SM4051001SC	SM4051001SN	SCREW M5 L=10				*		1	1.00
16		WS0820002KR		SPRING WASHER M8						2	
17		NM6080002SC		NUT M8						2	
18		MTSHJ100003		BOLT						2	
19		WP0851846SC		WASHER 8.5X22.0X1.8						2	
20		SL4051291SC		SCREW M5X0.8 L=12						2	
21		40042134		CONNECING_ROD_ASSY						1	

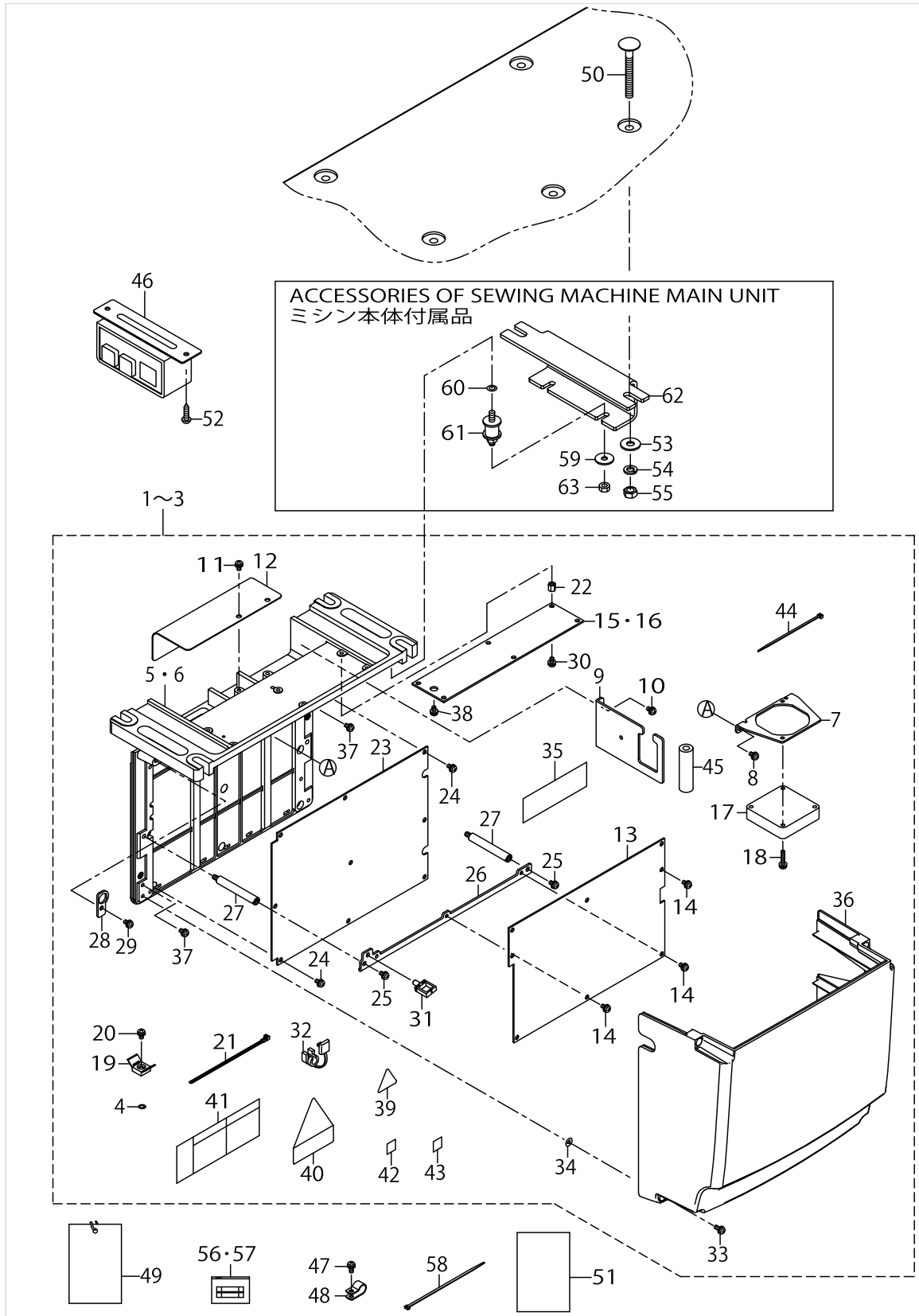
OPERATION BOX COMPONENTS (ACCESSORIES OF A CONTROL BOX)



OPERATION BOX COMPONENTS (ACCESSORIES OF A CONTROL BOX)

No.	Supply Code	Parts No.	Replacement	Parts name	Remarks	Choice	Step	Level	Cons	Qty	Rep. QTY
1		40141333		LBH OPERATION PANEL ASSY	FOR 1-PHASE 220~240V, 3-PHASE 200~240V, 1-PHASE 220~240V (FOR CHINA)					1	
2		40141334		LBH OPERATION PANEL ASSY CE	FOR 1-PHASE CE 220~240V					1	
3		SK3382001SE		SCREW D=3.8 L=20						4	

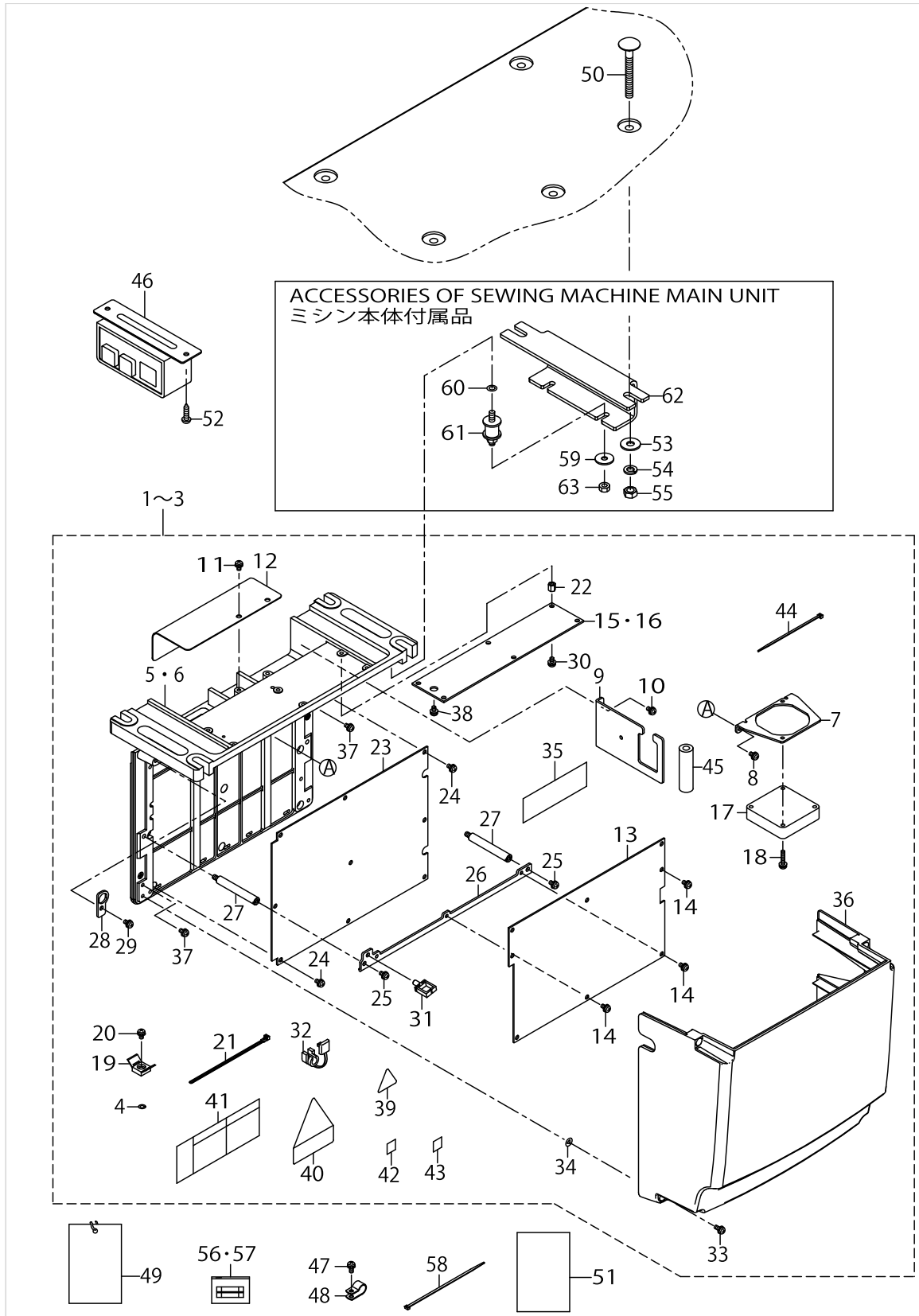
CONTROL BOX COMPONENTS



CONTROL BOX COMPONENTS

No.	Supply Code	Parts No.	Replacement	Parts name	Remarks	Choice	Step	Level	Cons	Qty	Rep. QTY
1		40141500		MC602 CTL BOX A ASM.	FOR 1-PH-ASE 220~240V					1	
2		40141501		MC602 CTL BOX B ASM.	FOR 3-PH-ASE 200~240V					1	
3		40141502		MC602 CTL BOX C ASM.	FOR 1-PH-ASE CE 220~240V					1	
4		WP0430800SC		WASHER M4	FOR 3-PH-ASE 200~-240V, 1-P-HASE CE 2-20~240V			*		1	
5		40143989		FRAME_B	FOR 3-PH-ASE 200~-240V, 1-P-HASE CE 2-20~240V			*		1	
6		40143988		FRAME_A	FOR 1-PH-ASE 220~240V			*		1	
7		40115874		FAN PLATE				*		1	
8		SL4040881SC		SCREW M4 L=8				*		2	
9		40115876		PLATE B				*		1	
10		SL4040881SC		SCREW M4 L=8				*		2	
11		SL4040881SC		SCREW M4 L=8				*		2	
12		40115879		FAN COVER				*		1	
13		40138920		MAIN PCB ASSY				*		1	
14		SL4040881SC		SCREW M4 L=8				*		8	
15		40105465		FLT-T PCB ASSY	FOR 3-PH-ASE 200~240V			*		1	
16	R	40105475	40145901	FLT-CE PCB ASSY	FOR 1-PH-ASE CE 220~240V			*		1	1.00
17		40111214		FAN MOTOR ASSY				*		1	
18		SL4042091SC		SCREW M4X0.7 L=20				*		2	
19		KX000000260		SADDLE TYPE TIE MOUNT				*		1	
20		SL4040881SC		SCREW M4 L=8				*		1	
21		HX00292000A		CONNECTING PARTS				*		1	
22		HX00339000M		SPACER	FOR 3-PH-ASE 200~-240V, 1-P-HASE CE 2-20~240V			*		6	
23		40142267		SDC PCB ASSY				*		1	
24		SL4041081SC		SCREW M4 L=10				*		4	
25		SL4040881SC		SCREW M4 L=8				*		2	
26		40115877		MAIN PLATE				*		1	
27		40143990		STUD				*		2	
28		40115878		PLATE C				*		1	
29		SL4040881SC		SCREW M4 L=8				*		1	
30		SL4040881SC		SCREW M4 L=8	FOR 3-PH-ASE 200~-240V, 1-P-HASE CE 2-20~240V			*		6	
31		HX00222000D		WIRE SADDLE				*		1	
32		KX000000320		BUSH				*		1	
33		SL4041281SC		SCREW M4X0.7 L=12				*		4	
34		M8002430000		STOPPER				*		4	
35		40114398		MAIN COOL SHEET				*		2	

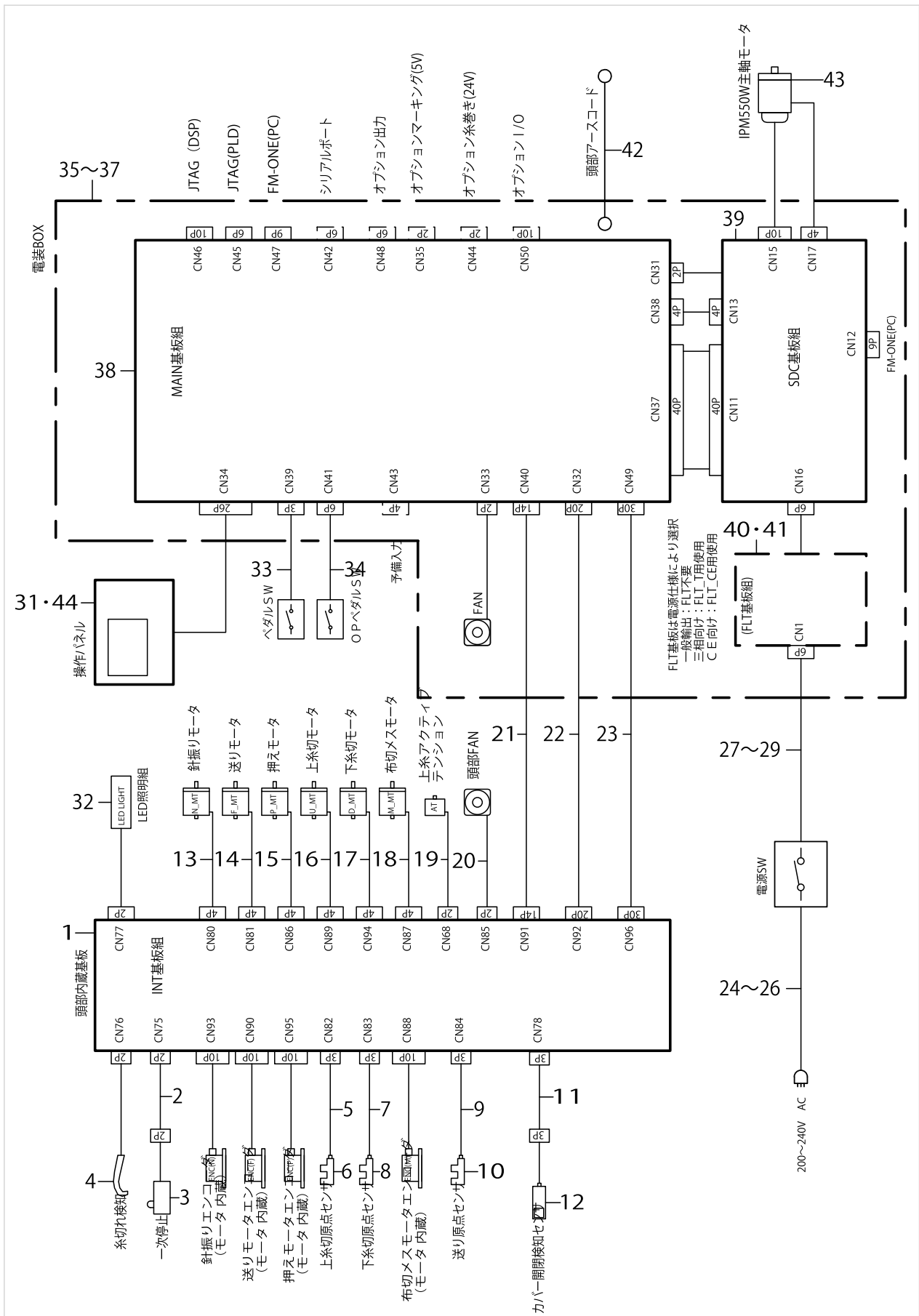
CONTROL BOX COMPONENTS



CONTROL BOX COMPONENTS

No.	Supply Code	Parts No.	Replacement	Parts name	Remarks	Choice	Step	Level	Cons	Qty	Rep. QTY
36		40114136		COVER				*		1	
37		SL4040881SC		SCREW M4 L=8				*		3	
38		SL4030881SC		SCREW M3 L=8	FOR 3-PH-ASE 200~240V			*		1	
39		CM300100001		LABEL	FOR 1-PH-ASE 220~240V, 1-P-HASE CE 2-20~240V, 1-PHASE 220~240V (FOR CHINA)			*		1	
40		CM300400602		VOLTAGE CAUTION LABEL L=25				*		1	
41		CM300100402		VOLTAGE DANGER LABEL 3(SMALL)	FOR 3-PH-ASE 200~240V			*		1	
42		CM600100101		WEEE MARK LABEL S	FOR 1-PH-ASE CE 220~240V			*		1	
43		40116677		GOSTSAFTYLABELS	FOR 1-PH-ASE CE 220~240V			*		1	
44		EA9500B0100		CABLE BAND				*		1	
45	D	E8760452S00		TUBE	FOR 3-PH-ASE 200~240V, 1-P-HASE CE 2-20~240V			*		0.055	
46		40113427		POWER SWITCH						1	
47		SL4041091SC		SCREW M4 L=10						2	
48		HX00150000D		CABLE CLIP						2	
49		M300451100A		VOLTAGE INDICATION CARD A						1	
50		MTSHJ100003		BOLT						4	
51		40126054		CORE SET UP MANUAL						1	
52		SK3512001SE		WOOD SCREW D=5.1 L=20						2	
53		WP0852086SC		WASHER M8						4	
54		WS0820002KR		SPRING WASHER M8						4	
55		NM6080002SC		NUT M8						4	
56		HF0013050P0		FUSE 5A					☆	1	
57		HF003000200		FUSE 2A (220/240V)					☆	1	
58		EA9500B0200		CABLE BAND 150						2	
59		WP0651646SC		WASHER						4	
60		WT0640001KN		TOOTH WASHER						1	
61	R	40147891	40165702	RUBBER_CUSHION		A				4	1.00
61	R	40147891	NM6060001SC	RUBBER_CUSHION		A				4	1.00
61	R	40147891	WP0651646SC	RUBBER_CUSHION		A				4	2.00
62		40142969		RUBBER CUSHION BRKT						2	

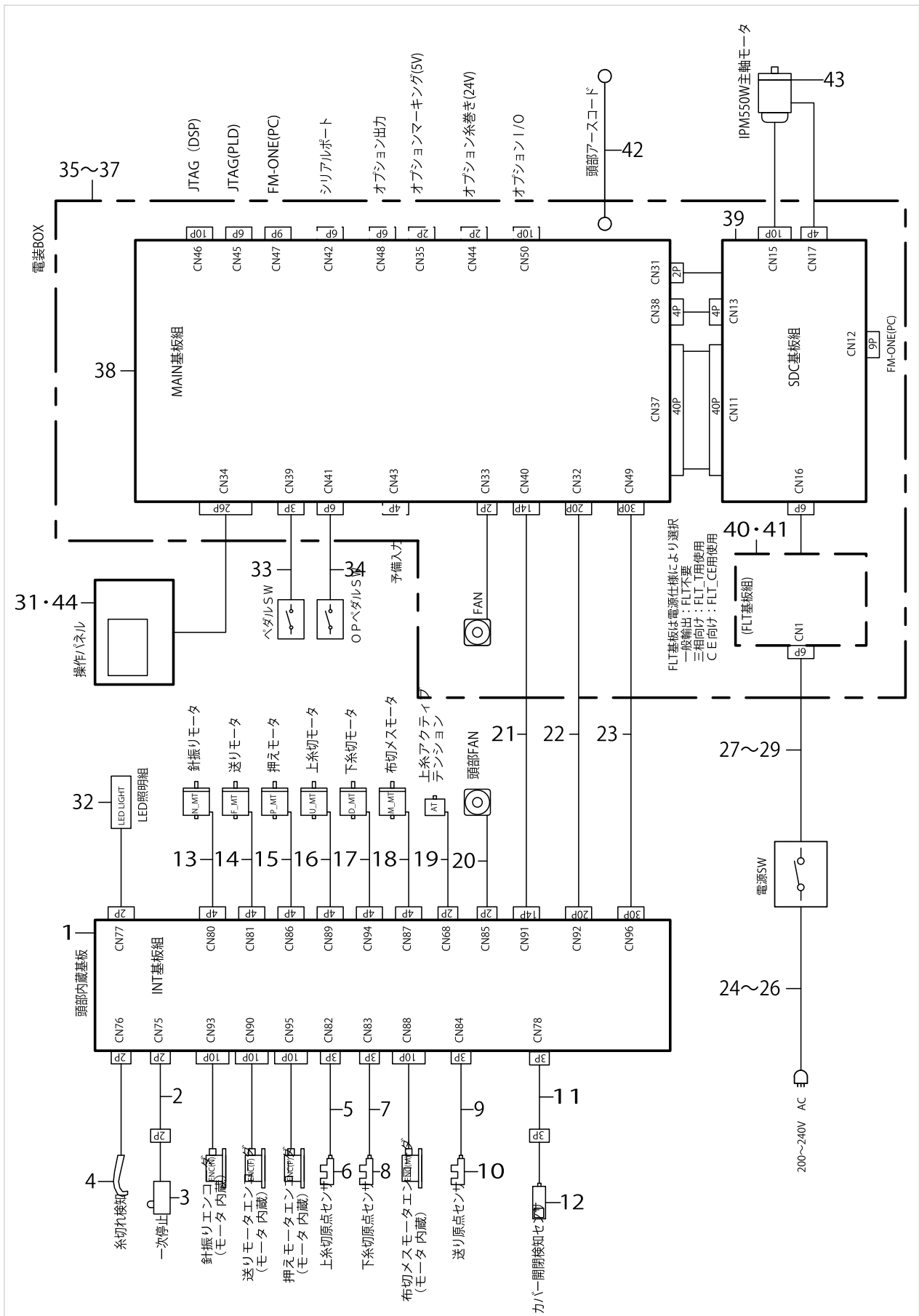
WIRING DIAGRAM



WIRING DIAGRAM

No.	Supply Code	Parts No.	Replacement	Parts name	Remarks	Choice	Step	Level	Cons	Qty	Rep. QTY
1		40138611		INT PCB ASSY						1	
2		40005400		PAUSE SWITCH JOINT CORD						1	
3		32002354		SWITCH ASM.						1	
4		40003499		THREAD BREAK DETECTOR A						1	
5		40141480		UT TRIM SENSOR CORD ASSY						1	
6		HD00057000A		PHOTO SENSOR						1	
7		40141481		DT TRIM SENSOR CORD ASSY						1	
8		HD00057000A		PHOTO SENSOR						1	
9		40141482		FEED SENSOR CORD ASSY						1	
10		HD00057000A		PHOTO SENSOR						1	
11		40141484		COVER SENSOR RE-LAY CORD ASSY						1	
12		40141483		COVER SENSOR ASSY						1	
13		40139180		NEEDLE SWING MOTOR ASSY						1	
14		40139181		FEED MOTOR ASSY						1	
15		40139182		CLAMP MOTOR ASSY						1	
16		40140040		UTTRIMMOTORASSY						1	
17		40140041		DTTRIMMOTORASSY						1	
18		40139183		CLOTH CUT MOTOR ASSY						1	
19		40006261		ASSY_AT_SOLENOID						1	
20		40111214		FAN MOTOR ASSY						1	
21		40141479		INT CORD C ASSY						1	
22		40141478		INT CORE B ASSY						1	
23		40141477		INT CORD A ASSY						1	
24		40023371		SINGLE PHASE POWER CORD ASSY	FOR 1-PHASE 220V~240V					1	
25		M90175800A0		POWER CABLE ASM.	FOR 3-PHASE 200V~240V					1	
26		40005390		JE POWER CABLE ASM.	FOR CE 220V~240V					1	
27		40141487		AC POWER CORD A ASM.	FOR 1-PHASE 220V~240V					1	
28		40141488		AC POWER CORD B ASM.	FOR 3-PHASE 200V~240V					1	
29		40141489		AC POWER CORD C ASM.	FOR CE 220V~240V					1	
30		40113427		POWER SWITCH						1	
31		40141333		LBH OPERATION PANEL ASSY	FOR 1-PHASE 220~240V, 3-PHASE 200~240V, 1-PHASE 220~240V (FOR CHINA)					1	
32		40141706		ASSY_LED_DEVICE						1	
33		40094262		PEDAL SENSOR BASE ASSY						1	
34		40003491		ASSY_4_POSITION_PEDAL						1	
35		40141500		MC602 CTL BOX A ASM.						1	
36		40141501		MC602 CTL BOX B ASM.						1	
37		40141502		MC602 CTL BOX C ASM.						1	
38		40138920		MAIN PCB ASSY						1	
39		40142267		SDC PCB ASSY						1	

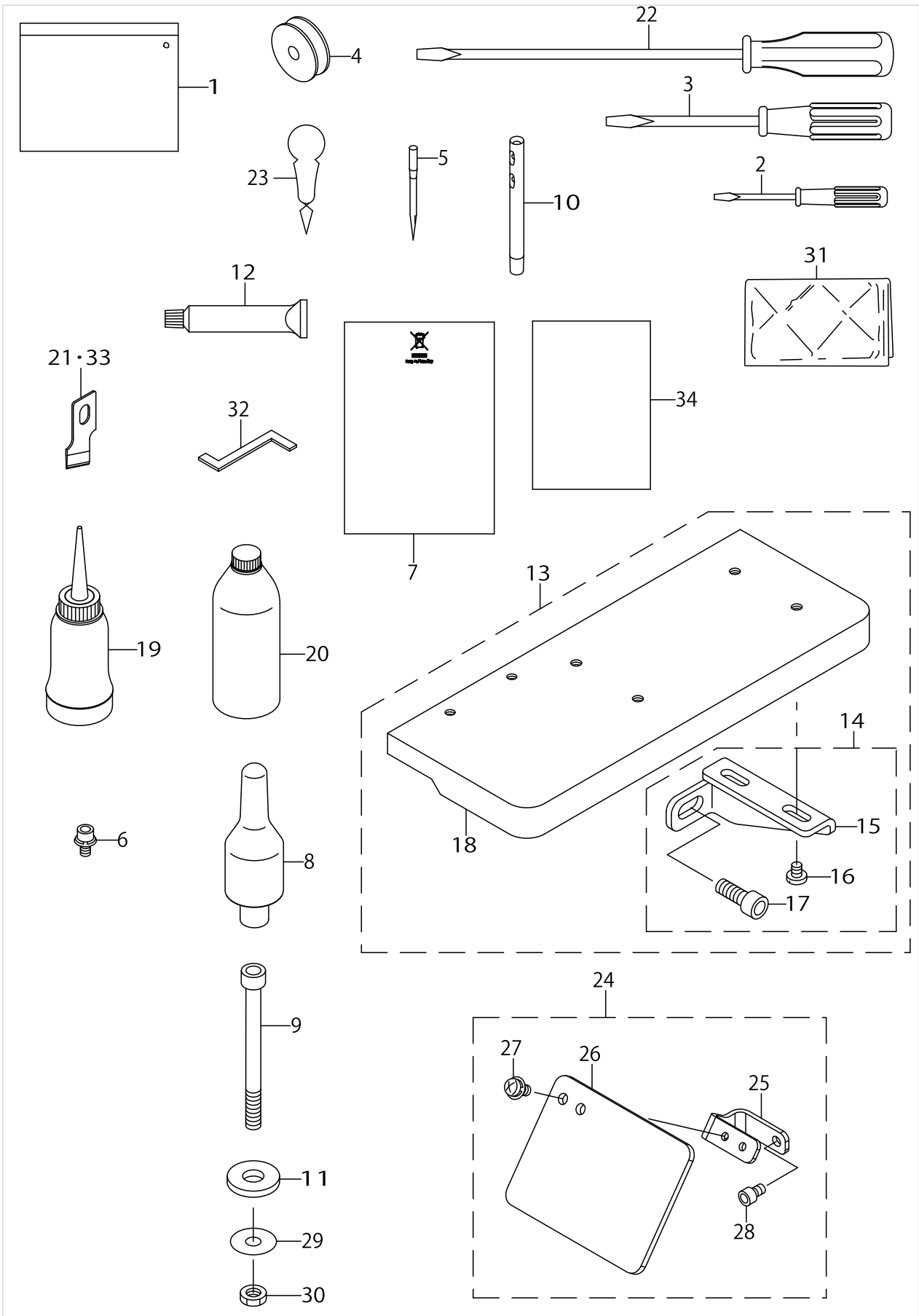
WIRING DIAGRAM



WIRING DIAGRAM

No.	Supply Code	Parts No.	Replacement	Parts name	Remarks	Choice	Step	Level	Cons	Qty	Rep. QTY
40		40105465		FLT-T PCB ASSY	FOR 3-PH-ASE 200V~240V					1	
41	R	40105475	40145901	FLT-CE PCB ASSY	FOR CE 220V~240V					1	1.00
42		14115554		HEAD GROUND CABLE A ASM.						1	
43		40138137		IPM550W MOTOR						1	
44		40141334		LBH OPERATION PANEL ASSY CE	FOR 1-PH-ASE CE 220~240V					1	

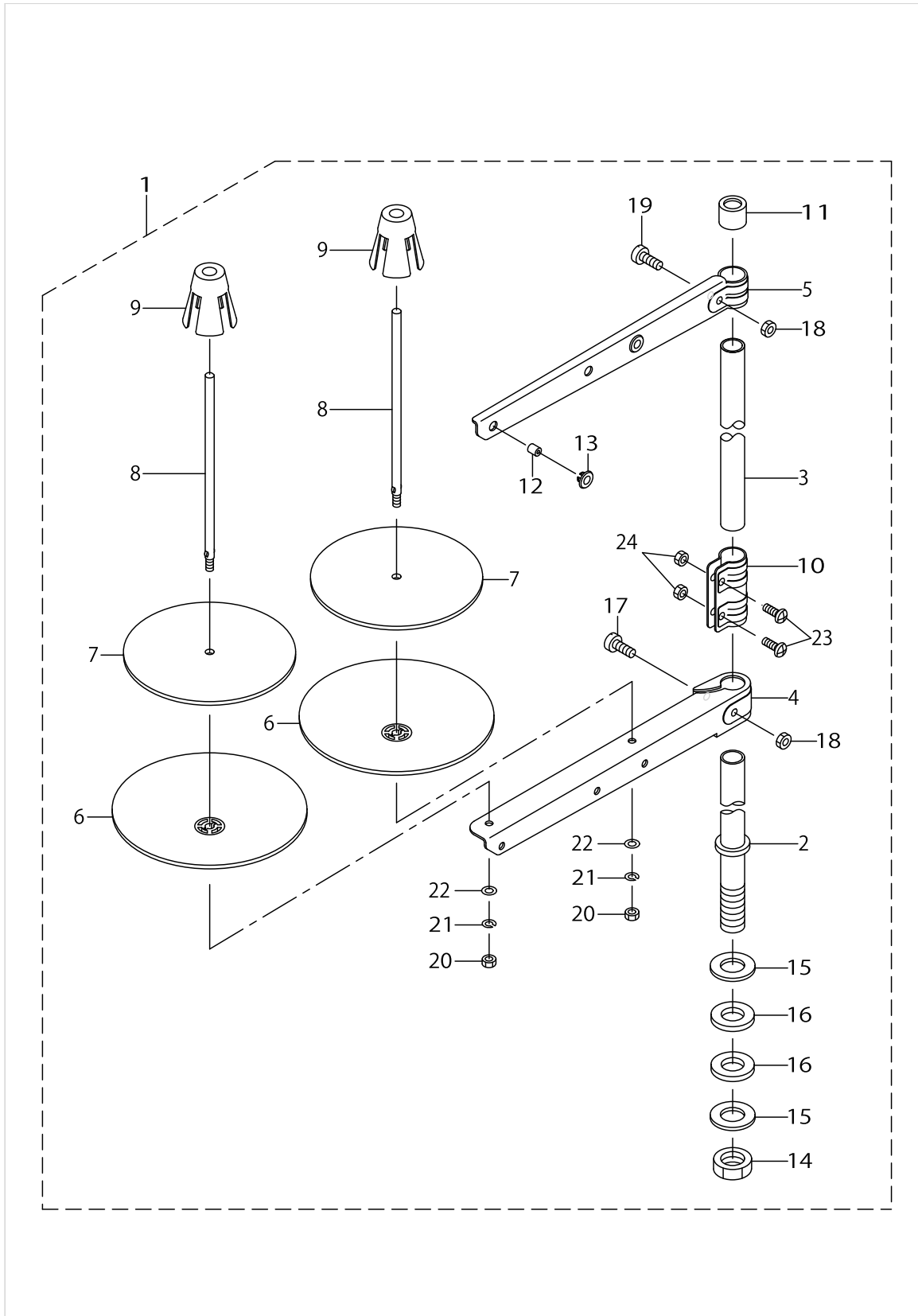
ACCESSORIE PARTS COMPONENTS



ACCESSORIE PARTS COMPONENTS

No.	Supply Code	Parts No.	Replacement	Parts name	Remarks	Choice	Step	Level	Cons	Qty	Rep. QTY
1		22932800		ACCESSORIE BAG						1	
2		22933204		SCREW DRIVER SMALL						1	
3		22933105		SCREW DRIVER MIDDLE						1	
4		40009148		BOBBIN					☆	1	
5	R	MDP5J0B1102	MDP5J0B1100	NEEDLE DPX5 #11J-2					☆	1	1.00
6		SL6040892TN		BOLT						1	
7		CM600100201		WEEE INFORMATION SHEET						1	
8		14101208		HEAD SUPPORT BAR						1	
9		SM6067052TP		HEXAGON BOLT						4	
10		22502504		THREAD GUIDE BAR						1	
11		D6056555B00		RUBBERCUSHION(B)						4	
12		40006323		JUKI GREASE A TUBE					☆	1	
13	R	40142171	40165710	AUXILIARY TABLE ASM.						1	1.00
14		40145523		INSTALLING_PLATE_SET				*		1	
15		13785803		INSTALLING PLATE				*		2	
16		SS7110570SP		SCREW 11/64-40 L=4.8				*		4	
17		SM6061002TP		SCREW M6 L=10				*		2	
18		40008889		AUXILIARY TABLE				*		1	
19		B91210120A0		OILER ASM.						1	
20		MDFRX1200C0		NEW DEFRIX OIL NO.1(200ML)					☆	1	
21		B2702047M00A		KNIFE 5/8					☆	1	
22		22933006		SCREW DRIVER LARGE						1	
23		B9107761000		THREAD PASSING INSTRUMENT					☆	1	
24		40142172		ASSY_SAFETY_PLATE_B						1	
25		40141799		SAFETY_PLATE_BASE				*		1	
26		40141798		SAFETY_PLATE				*		1	
27		SL4040891SC		SCREW M4 L=8				*		2	
28		SM6040602TP		SCREW M4 L=6				*		1	
29		WP0612056SD		WASHER 6.1X18.5X2						4	
30		NM6060001SD		NUT M6						8	
31		26234005		VINYL COVER						1	
32		13943402		TIMING GAUGE						1	
33		B2702047K00A		KNIFE 3/8					☆	1	
34		29180403		EC PRODUCTION DECLARATION						1	

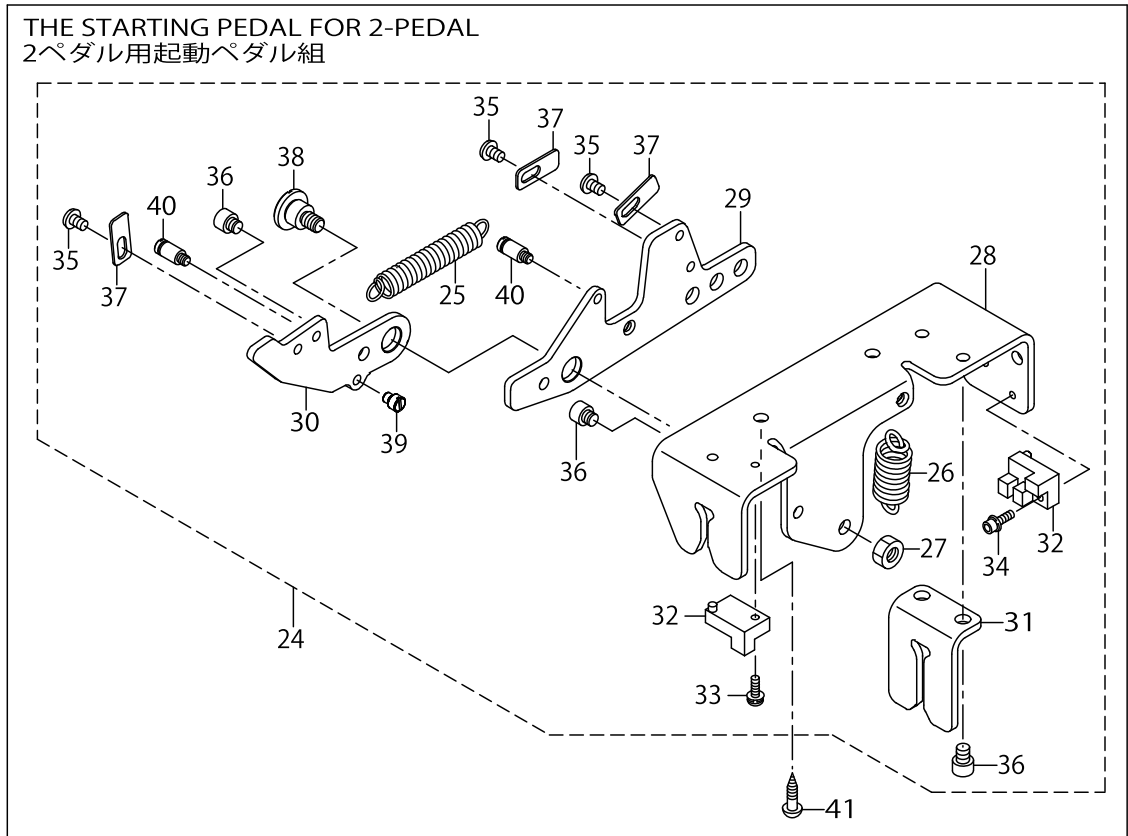
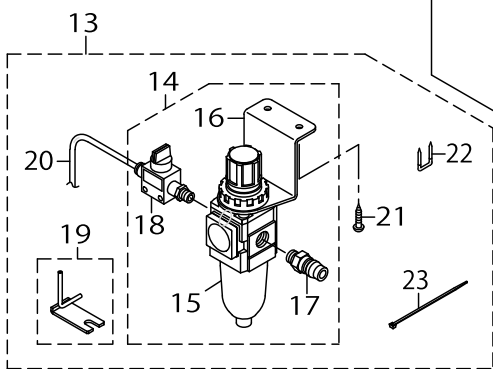
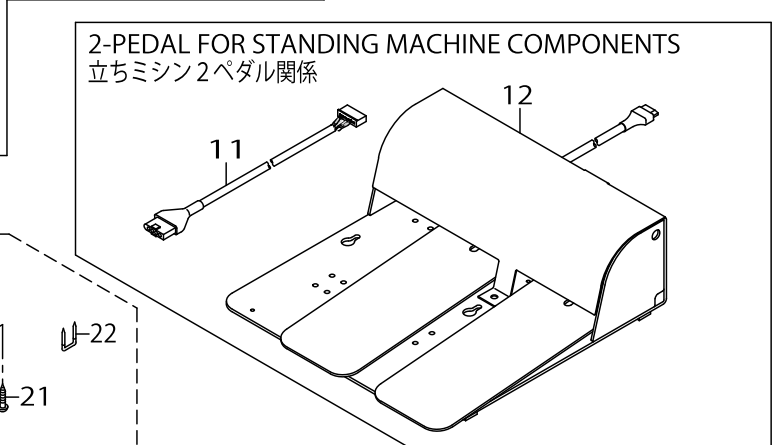
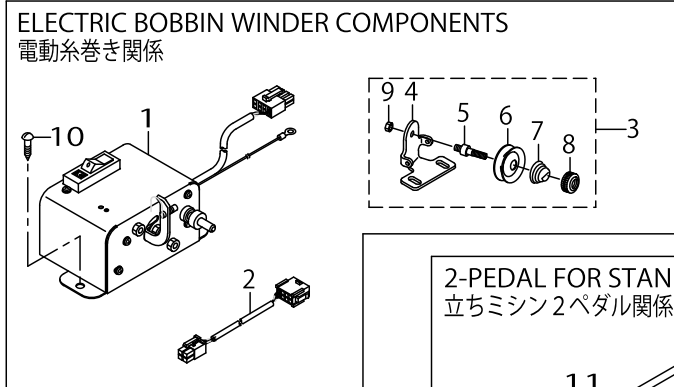
THREAD STAND COMPONENTS



THREAD STAND COMPONENTS

No.	Supply Code	Parts No.	Replacement	Parts name	Remarks	Choice	Step	Level	Cons	Qty	Rep. QTY
1		40096354		THREAD STAND ASM.						1	
2		40085784		SPOOL REST ROD LOWER				*		1	
3		40085785		SPOOL REST ROD UPPER				*		1	
4		40085786		SPOOL REST ARM LOWER				*		1	
5		40085787		SPOOL REST ARM UPPER				*		1	
6		40085788		SPOOL REST				*		2	
7		40085789		SPOOL REST CUSHION				*	☆	2	
8		40085790		SPOOL PIN				*		2	
9		40085791		SPOOL RETAINER				*		2	
10		40085792		SPOOL REST ROD JOINT				*		1	
11		40085793		SPOOL REST ROD RUBBER CAP				*		1	
12		40085794		THREAD GUIDE				*		2	
13		40085795		THREAD GUIDE BUSHING				*		2	
14		40096325		SPOOL REST ROD NUT				*		1	
15		WP1612616SE		WASHER 16X30X2.6				*		2	
16		40085796		SPOOL REST ROD RUBBER CUSHION				*		2	
17		40096326		SPOOL REST ARM LOWER SCREW				*		1	
18		NM6050001SE		NUT M5				*		2	
19	R	40096327	SM4053001SE	SPOOL REST ARM UPPER SCREW				*		1	1.00
20		NM6050001SE		NUT M5				*		2	
21		WS0510002KN		SPRING WASHER M5				*		2	
22		WP0531001SC		WASHER M5				*		2	
23		SM4051405SE		SCREW M5 L=14				*		2	
24		NM6050001SE		NUT M5				*		2	

SPECIAL SPECIFICATIONS COMPONENTS (1)

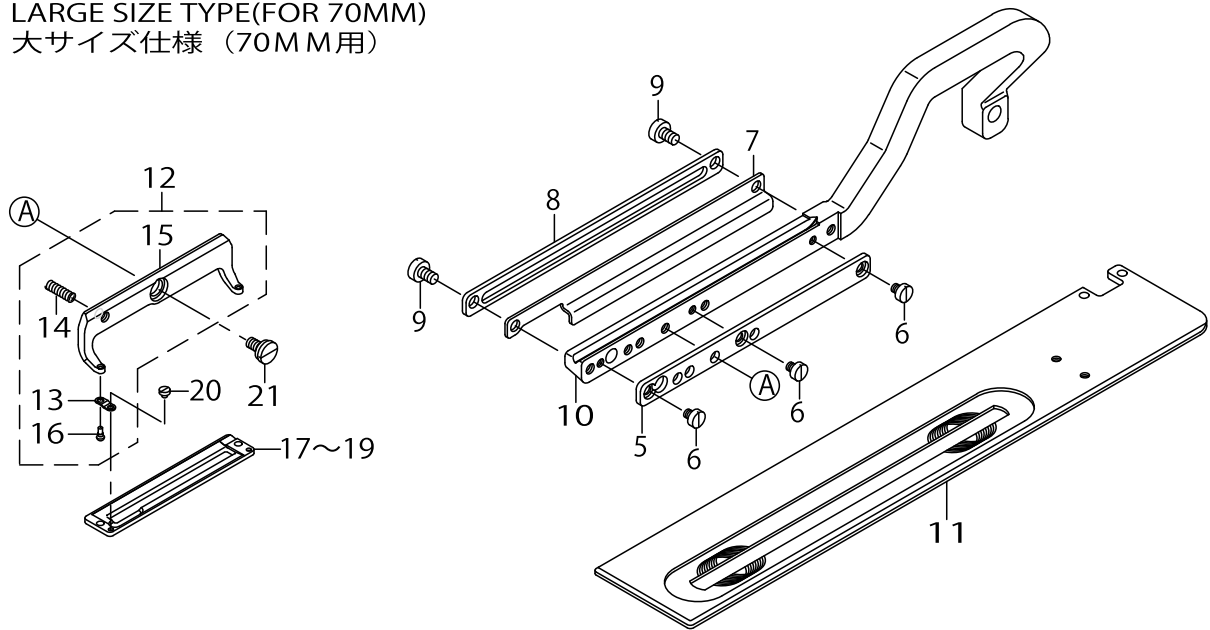


SPECIAL SPECIFICATIONS COMPONENTS (1)

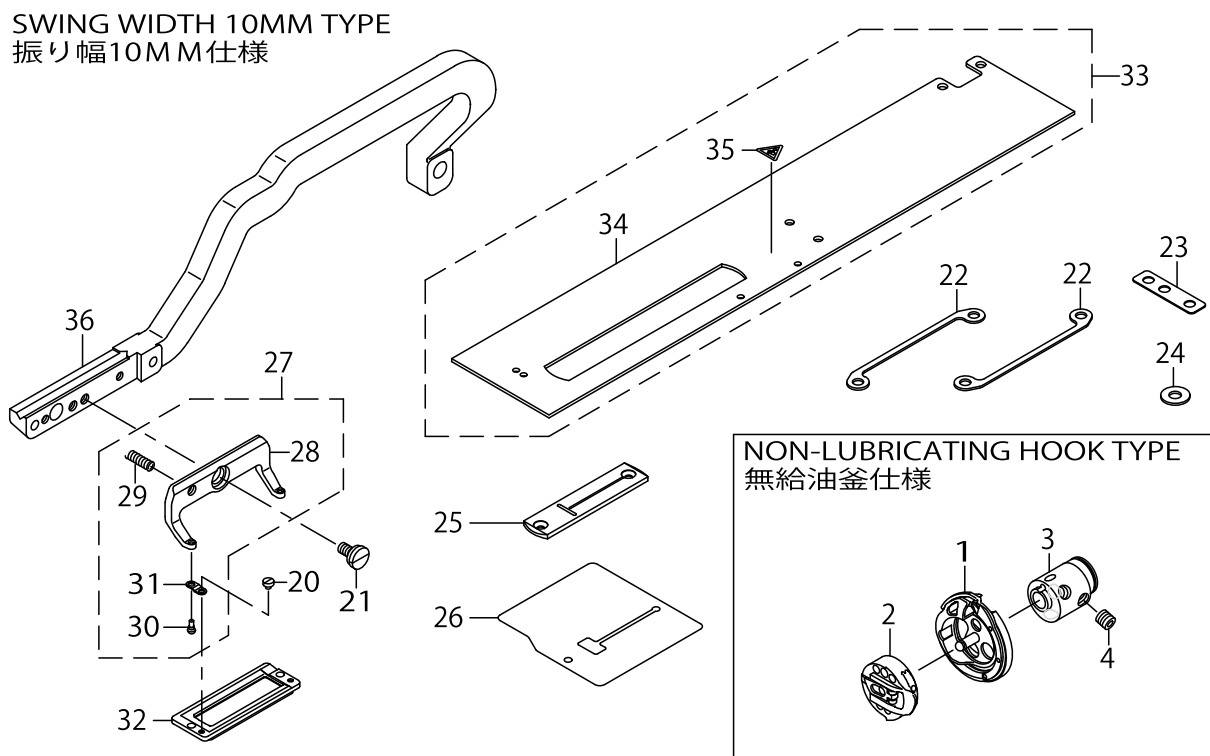
No.	Supply Code	Parts No.	Replacement	Parts name	Remarks	Choice	Step	Level	Cons	Qty	Rep. QTY
1	D	G50011980A0A		BOBBINWINDERASM.						1	
2		40005405		WINDER CORD ASSY						1	
3	R	B32217710A0	40053150	BOBBIN WINDER TENSION BRACKET ASM.						1	1.00
4	D	B3221771000		BOBBIN WINDER TENSION BRACKET				*		1	
5		B3219232000		BOBBIN WINDER TENSION POST				*		1	
6	R	B3214047000	22945802	BOBBIN WINDER TENSION DISC				*		2	1.00
7		B3218232000		BOBBIN WINDER TENSION SPRING				*		1	
8		B3216047000		BOBBIN WINDER TENSION NUT				*		1	
9		NS6110310SP		NUT 11/64-40				*		1	
10	R	SK3452000SC	SK3452001SE	WOOD SCREW D=4.5 L=20						4	1.00
11		40003493		PK PEDAL JOINT CORD ASSY						1	
12		GPK510010B0		PEDAL SWITCH ASM.						1	
13		40097040		HOOK COOLING UNIT B						1	
14		40023432		FILTER REGULATOR ASM.				*		1	
15		PF0551060A0		FILTER REGULATOR				*		1	
16		PF902005000		REGULATOR BRACKET				*		1	
17		PJ025100003		PLUG				*		1	
18		PV015122000		FINGER VALVE				*		1	
19		40094012		PIPE BRACKET ASM.				*		1	
20		BT0400251EB		URETHANE HOSE BLACK				*		1.5	
21		SK3412001SE		WOOD SCREW D=4.1 L=20				*		2	
22		MA011532000		CORD STAPLE				*		2	
23		EA9500B0100		CABLE BAND				*		2	
24		40003491		ASSY_4_POSITION_PEDAL						1	
25		13731906		SPRING				*		1	
26		B2583210D00		SPRING				*		1	
27		NM6060001CP		NUT M6				*		1	
28		40004360		PEDAL_FRAME				*		1	
29		40004361		PEDAL_FRAME_A				*		1	
30		40004362		PEDAL_FRAME_B				*		1	
31		40004363		PEDAL_FRAME_GUIDE				*		1	
32		HD00057000A		PHOTO SENSOR				*		2	
33		SL4031091SC		SCREW M3 L=10				*		1	
34		SL6031042TN		SCREW				*		1	
35		SM5040655SN		SCREW				*		3	
36		SM6050652TP		HEXAGON SOCKET HEAD SCREW M5X6				*		4	
37	D	40004364		SENSOR_DETECTING_PLATE				*		3	
38		SD1000646TP		SHOULDER SCREW D=10 H=6.4				*		1	
39		40004299		STOPPER_PIN				*		1	
40		40004327		SUSPENSION_SCREW				*		2	
41		SK3482001SE		WOOD SCREW D=4.8 L=20						2	

SPECIAL SPECIFICATIONS COMPONENTS (2)

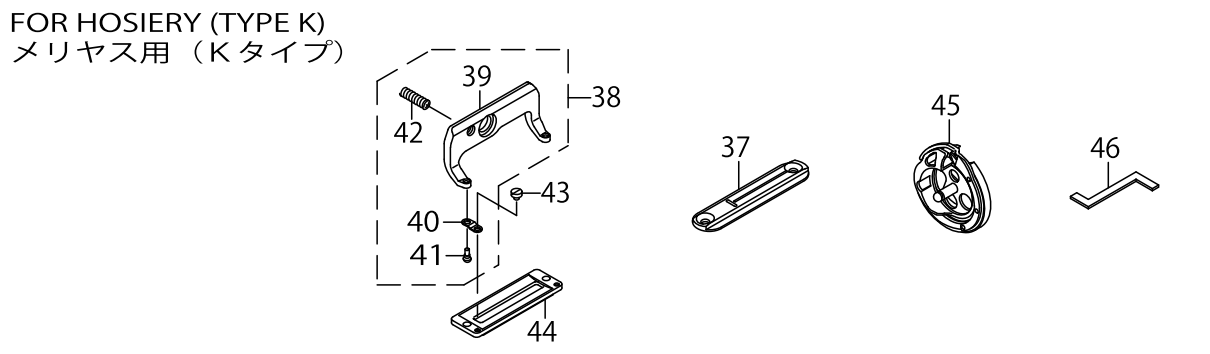
LARGE SIZE TYPE(FOR 70MM)
大サイズ仕様 (70MM用)



SWING WIDTH 10MM TYPE
振り幅10MM仕様



FOR HOSIERY (TYPE K)
メリヤス用 (Kタイプ)

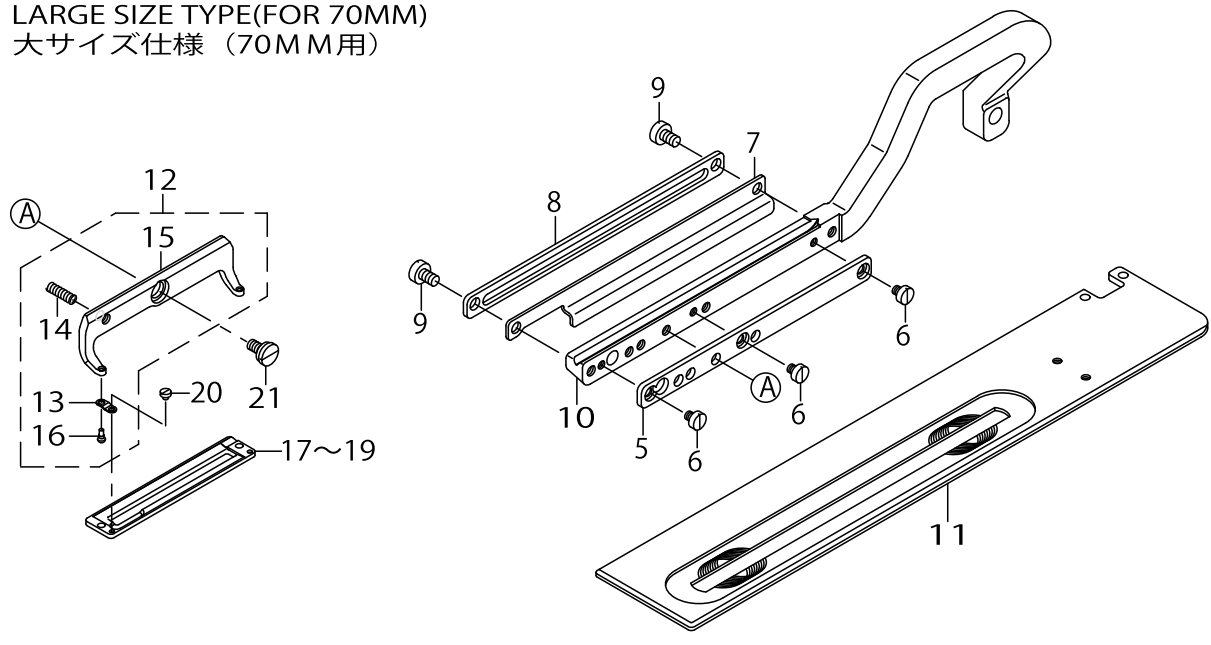


SPECIAL SPECIFICATIONS COMPONENTS (2)

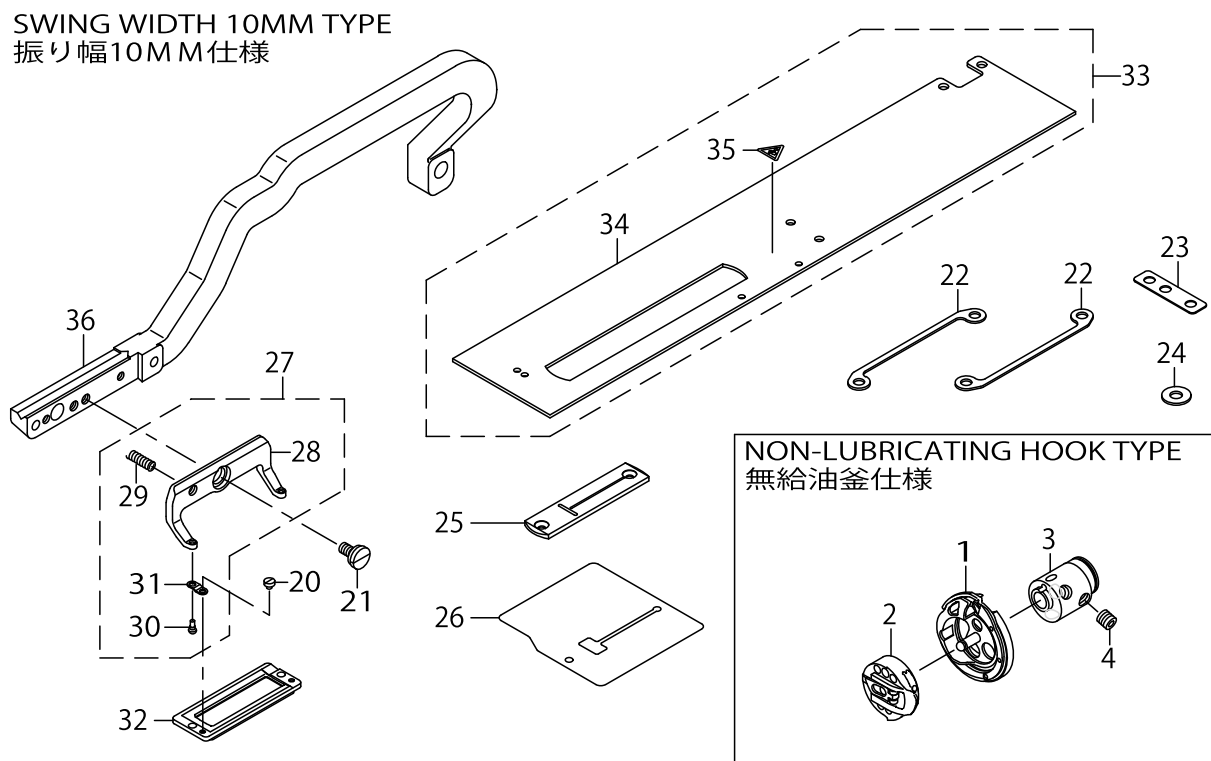
No.	Supply Code	Parts No.	Replacement	Parts name	Remarks	Choice	Step	Level	Cons	Qty	Rep. QTY
1		40006345		RP_HOOK_ASM.					☆	1	
2		40006349		RP_BOBBIN_CASE					☆	1	
3		13729603		HOOK SLEEVE						1	
4		SS8660612TP		SCREW 1/4-40 L=6						4	
5		40006340		WORK_CLAMP_HOLDER_SPACE	FOR PRESSER 70MM					1	
6		SM6040450TP		SCREW M4 L=4	FOR PRESSER 70MM					3	
7		40028682		UTT_CLOSE_CAM_120B						1	
8		40112711		LIFTING_PLATE_120						1	
9		SM6050800SP		SCREW M5 L=8						2	
10		40006335		WORK_CLAMP_ARM_120						1	
11		40006339		WORK_CLAMP_CARRIER_120						1	
12		14523252		PRESSER FOOT 70 ASM.	FOR PRESSER 70MM					1	
13		B1509761000		PRESSER FITTING PLATE SPRING				*		2	
14		B1512761000		PRESSER FOOT HOLDER SPRING				*		1	
15		14523203		PRESSER FOOT 70				*		1	
16		B151077100B		PRESSER FOOT PIN B				*		2	
17		14523708		URETHANE PRESSER 70	FOR PRESSER 70MM					1	
18	D	14524102		PRESSER 70 (FLAT)	FOR PRESSER 70MM					1	
19		14523401		PRESSER 70	FOR PRESSER 70MM					1	
20		SS6060210SP		SCREW 3/32-56 L=1.9						6	
21		SD0790203SP		HINGE SCREW D=7.94 H=2	FOR PRESSER 70MM					3	
22		40011319		THROAT_PLATE_BASE_SPACER						2	
23		40004326		BTT_SPACER						1	
24		WP0551016SH		WASHER 5.5X13X1						2	
25		40015733		THROAT_PLATE(S10)	FOR SWING WIDTH 10MM					1	
26		40015802		OIL_SHIELD_10	FOR SWING WIDTH 10MM					1	
27		40020010		WORK_CLAMP_HOLDER(3-10)_ASSY	FOR SWING WIDTH 10MM					1	
28		40020011		WORK_CLAMP_HOLDER(3-10)				*		1	
29		40008638		WORK_CLAMP_CHECK_HOLDER_SPRING.B				*		1	
30		B151077100B		WORK_CLAMP_CHECK_SPRINGSETPIN(B)				*		2	
31		B1509761000		WORK_CLAMP_CHECK_SPRING				*		2	
32		40017810		WORK_CLAMP(3S-10)	FOR SWING WIDTH 10MM					1	
33		40020014		WORK_CLAMP_CARRIER(10X41)_CL	FOR SWING WIDTH 10MM					1	
34		40020012		WORK_CLAMP_CARRIER(10X41)				*		1	
35		CM300200001		ATTENTION SEAL				*		1	
36		40020013		WORK_CLAMP_ARM(10X41)	FOR SWING WIDTH 10MM					1	
37		40027554		THROAT_PLATE(1790K5)						1	
38		D1511772KA0		WORK_CLAMP_CHECK_HOLDER_ASM.						1	
39		B1511772000A		WORK_CLAMP_CHECK_HOLDER				*		1	
40		B1509761000		WORK_CLAMP_CHECK_SPRING				*		2	

SPECIAL SPECIFICATIONS COMPONENTS (2)

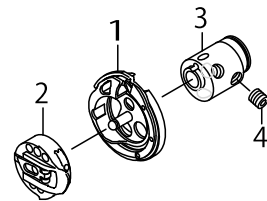
LARGE SIZE TYPE(FOR 70MM)
大サイズ仕様 (70MM用)



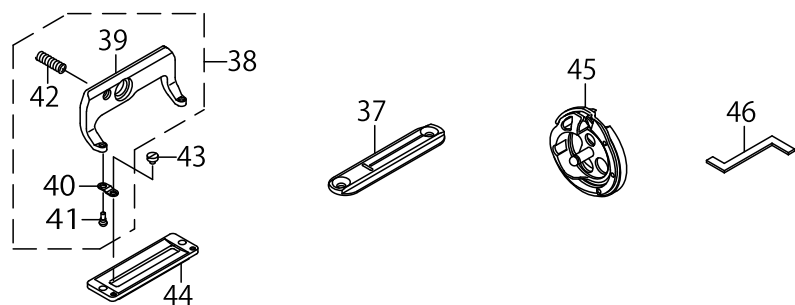
SWING WIDTH 10MM TYPE
振り幅10MM仕様



NON-LUBRICATING HOOK TYPE
無給油釜仕様




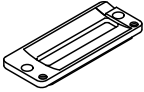
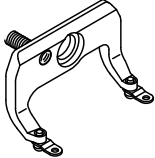
FOR HOSIERY (TYPE K)
メリヤス用 (Kタイプ)


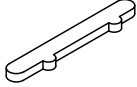
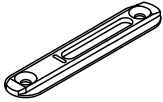


SPECIAL SPECIFICATIONS COMPONENTS (2)

No.	Supply Code	Parts No.	Replacement	Parts name	Remarks	Choice	Step	Level	Cons	Qty	Rep. QTY
41		B151077100B		WORK CLAMP CHECK SPRING SET PIN(B)				*		2	
42		B1512761000		WORK CLAMP CHECK HOLDER SPRING				*		1	
43		SS6060210SP		SCREW 3/32-56 L=1.9						2	
44		D1508772K00		WORK CLAMP CHECK (2K)						1	
45		13782065		HOOK COMPL. K						1	
46		13782107		HOOK TIMING GAUGE K						1	

EXCHANGING PARTS

		Cloth Cutting Knife 布切りメス	Presser Foot (Length of Cloth Cutting Knife) 押え (布切りメス長さ)	Presser Foot (Presser Size) 押え足 (押えサイズ)	
					
		Standard 標準	Standard 標準	For Hosiery メリヤス用	
inch	mm			Standard 標準	
1/4	6.4	B2702-047-F00	B1552-781-000-A	D1508-771-K00-A	
3/8	9.5	B2702-047-K00-A			
7/16	11.1	B2702-047-I00			
1/2	12.7	B2702-047-L00-A			
9/16	14.3	B2702-047-V00			
5/8	15.9	B2702-047-M00-A			
11/16	17.5	B2702-047-A00			
3/4	19.1	B2702-047-N00	B1552-782-000	D1508-772-K00	
7/8	22.2	B2702-047-P00			
1	25.4	B2702-047-Q00-A			
1-1/4	31.8	B2702-047-S00-A	B1552-783-000	D1508-773-K00	D1511-773-KA0

		Cloth Cutting Knife 布切りメス	Knife Guard メス受板	Throat Plate 針板
				
		Flat Knife 平メス		
inch	mm			
1/4	6.4	B2745-771-F00	B2746-771-000	137-82800
3/8	9.5	B2745-771-K00		
1/2	12.7	B2745-771-L00		
9/16	14.3	B2745-771-H00		
5/8	15.9	B2745-771-M00		
3/4	19.1	B2745-771-N00		
7/8	22.2	B2745-771-P00		
1	25.4	B2745-771-Q00		
1-1/8	28.6	B2745-771-R00		
1-1/4	31.8	B2745-771-S00		

LIST FOR INFORMATION OF CHANGE

As to the place changed, refer to the corresponding Rev.No.
 When previous parts(Obsoleted part)and new parts(Added parts)are not interchangeable with each other:
 In this case,even obsoleted parts(D.)can be ordered with the obsoleted part number,so select the parts with changed dates and place your orders.

変更箇所は、該当Rev.No.版をご参照ください。

部品の互換性がない変更の場合は、削除された品番でも、ご注文できます。

40142146
 No.1649-05 Rev.No.

*A:Added parts追加部品/D:Obsoleted parts削除部品/E:Erratum訂正

* Rev. No.	Page 頁	Ref. No.	Parts No. 品番	* Rev. No.	Page 頁	Ref. No.	Parts No. 品番		
D	04	8	10	137-29660	A	05	8	30	137-29652
					A	05	8	31	137-29603
					A	05	8	32	CQ-2520000-00
					A	05	8	33	HX-0025500-00
D	04	20	1	401-42162					

HOW TO MAKE USE OF THIS PARTS LIST

1.Explanation of codes

1)"*"mark.....means this part is changed from the previous parts book.

As to the details of the change, refer to the "List for information of change".

2)"#01".....refer to "Note" explanation at bottom of page.

2.Codes on the "Qty" column

- Each numeral indicates the number of parts required.
- "0.1" and "2.5" indicate the length (in meters) of the respective parts.

3.Parentheses mean that the corresponding part is a subpart that constructs an assembly part.

4.Dotted lines on the Figures indicate assembly parts.

5.As to the parts with marks of "☆"(consumable parts) and "◎"(optional parts)on the respective parts, it is recommended to prepare spares.

1 ."注記"欄の記号説明

1) "*"印.....前回のパーツブックに比較して今回変更された部品を意味します。

変更内容は、"変更情報リスト"を参照してください。

2) "#01".....ページ下の"注記"の説明を参照してください。

2.数量欄の数字は、個数を表し、0.1、2.5等の数値は、長さ（単位メートル）を表します。

3.数量欄の（ ）は、組部品を構成している子部品であることを意味します。

4.イラストページの-----枠は、組構成であることを意味します。

5.リストページの"☆"（消耗部品）、"◎"（オプション部品）の印がついた部品は、予備を準備しておくことをお奨めします。

NUMERICAL INDEX OF PARTS

PART NO	PAGE	REF NO.	PART NO	PAGE	REF NO.	PART NO	PAGE	REF NO.
10006104	6	18	22528764	2	41	40004186	14	8
11072402	8	62	22529473	8	60	40004187	14	9
11093606	8	63	22529481	8	59	40004188	14	5
11155108	34	3	22891204	16	3	40004194	16	5
11155207	34	4	22918304	10	43	40004197	16	7
11157567	34	7	22932800	46	1	40004198	16	8
11272507	24	24	22933006	46	22	40004200	16	9
13127402	16	43	22933105	46	3	40004201	16	10
13700406	4	51	22933204	46	2	40004205	16	18
13700505	4	52	23530405	22	4	40004206	10	39
13700604	4	50	23536204	14	6	40004209	22	27
13700703	4	62	23605207	10	25	40004212	22	30
13703806	2	24	23630007	14	26	40004213	22	31
13703905	2	25	26230409	2	13	40004214	22	34
13705405	4	69	26230409	8	58	40004215	22	33
13706403	22	14	26234005	46	31	40004216	22	25
13710306	14	11	26260109	6	28	40004217	22	26
13710405	14	20	26260208	6	29	40004218	22	13
13710504	14	12	26260307	6	30	40004222	22	29
13727102	30	54	26260406	6	31	40004224	22	21
13729066	14	13	26260505	6	32	40004232	26	52
13729306	30	55	26260604	6	33	40004234	24	37
13729603	14	31	26260802	6	35	40004235	24	26
13729603	52	3	26261206	6	39	40004236	24	43
13729652	14	30	26261305	6	40	40004238	24	27
13729769	14	29	26261503	6	41	40004240	26	50
13731906	50	25	26261602	6	42	40004243	26	63
13737408	28	9	26261701	6	43	40004244	24	41
13782065	54	45	29180403	46	34	40004245	24	42
13782107	54	46	32002354	2	39	40004246	26	64
13785803	46	15	32002354	42	3	40004247	24	40
13922208	4	47	32055402	6	21	40004248	24	38
13943303	4	56	40003491	42	34	40004249	26	62
13943402	46	32	40003491	50	24	40004250	26	65
14101208	46	8	40003493	50	11	40004252	6	22
14115554	6	7	40003499	6	26	40004252	24	39
14115554	44	42	40003499	42	4	40004254	24	29
14504401	14	17	40004156	2	9	40004254	28	22
14523203	52	15	40004157	2	7	40004255	26	70
14523252	52	12	40004159	2	11	40004264	24	33
14523401	52	17~19	40004160	2	44	40004265	24	34
14523708	52	17~19	40004161	2	15	40004267	16	37
14524102	52	17~19	40004171	10	19	40004275	18	79
22502504	2	42	40004180	14	18	40004279	18	51
22502504	46	10	40004185	12	49	40004280	18	50

NUMERICAL INDEX OF PARTS

PART NO	PAGE	REF NO.	PART NO	PAGE	REF NO.	PART NO	PAGE	REF NO.
40004285	18	48	40004393	32	32	40010514	6	5
40004287	18	58	40004394	32	29	40010522	6	8
40004288	18	59	40004396	32	30	40010534	10	24
40004289	16	36	40004398	32	27	40010535	10	26
40004291	18	78	40004400	24	17	40011143	6	27
40004293	24	4	40005390	42	24~26	40011144	6	34
40004294	26	71	40005400	42	2	40011145	6	36
40004296	24	36	40005405	50	2	40011146	6	37
40004297	24	66	40006261	6	1	40011205	30	50
40004297	26	66	40006261	42	19	40011319	52	22
40004298	24	67	40006263	6	2	40011327	30	63
40004298	26	67	40006264	6	3	40011355	14	16
40004299	28	69	40006265	6	23	40011517	10	1
40004299	30	69	40006307	10	10	40015674	26	54
40004299	50	39	40006314	4	49	40015702	26	51
40004301	28	46	40006317	14	21	40015733	52	25
40004306	28	39	40006320	14	25	40015802	52	26
40004308	28	32	40006323	46	12	40017810	52	32
40004309	28	29	40006335	20	13	40020010	52	27
40004311	28	36	40006335	52	10	40020011	52	28
40004321	28	31	40006339	20	7	40020012	52	34
40004324	30	47	40006339	52	11	40020013	52	36
40004326	52	23	40006340	52	5	40020014	52	33
40004327	28	68	40006345	52	1	40020310	18	67
40004327	30	68	40006349	52	2	40021933	6	38
40004327	50	40	40008423	10	35	40021998	28	27
40004328	30	73	40008426	10	38	40022121	16	11
40004329	28	4	40008638	20	6	40022322	28	30
40004336	28	3	40008638	52	29	40022323	28	28
40004343	28	7	40008646	20	2	40022363	10	37
40004344	28	8	40008647	20	5	40023371	42	24~26
40004345	30	52	40008658	20	15	40023432	50	14
40004346	30	64	40008671	22	5	40027553	30	49
40004347	30	53	40008671	32	14	40027554	52	37
40004348	30	65	40008889	46	18	40028634	26	48
40004349	30	71	40008977	4	57	40028636	26	61
40004360	50	28	40008978	4	58	40028682	20	10
40004361	50	29	40009037	4	64	40028682	52	7
40004362	50	30	40009148	46	4	40029613	28	33
40004363	50	31	40010434	16	15	40032269	10	29
40004364	50	37	40010435	16	16	40037008	8	52
40004373	22	23	40010489	32	16	40040276	32	28
40004374	22	24	40010510	6	19	40042089	32	18
40004378	22	2	40010511	6	6	40042134	34	21
40004379	22	3	40010512	6	20	40051473	10	15

NUMERICAL INDEX OF PARTS

PART NO	PAGE	REF NO.	PART NO	PAGE	REF NO.	PART NO	PAGE	REF NO.
40051474	10	16	40113427	42	30	40141488	42	27~29
40067165	20	1	40114136	40	36	40141489	42	27~29
40075297	16	4	40114398	38	35	40141500	38	1~3
40083369	10	36	40115874	38	7	40141500	42	35~37
40085784	48	2	40115876	38	9	40141501	38	1~3
40085785	48	3	40115877	38	26	40141501	42	35~37
40085786	48	4	40115878	38	28	40141502	38	1~3
40085787	48	5	40115879	38	12	40141502	42	35~37
40085788	48	6	40116677	40	43	40141706	2	45
40085789	48	7	40126054	40	51	40141706	42	32
40085790	48	8	40138137	10	22	40141709	2	3
40085791	48	9	40138137	44	43	40141710	2	26
40085792	48	10	40138611	4	70	40141711	2	27
40085793	48	11	40138611	42	1	40141713	4	66
40085794	48	12	40138920	38	13	40141714	2	43
40085795	48	13	40138920	42	38	40141716	10	20
40085796	48	16	40139180	22	8	40141717	10	27
40088990	22	1	40139180	42	13	40141718	10	33
40093423	34	11	40139181	16	1	40141719	10	28
40094012	50	19	40139181	42	14	40141720	10	9
40094259	34	9	40139182	16	34	40141721	10	6
40094260	34	10	40139182	42	15	40141725	10	41
40094262	34	8	40139183	32	2	40141726	10	42
40094262	42	33	40139183	42	18	40141727	10	45
40096325	48	14	40140040	26	46	40141730	10	46
40096326	48	17	40140040	42	16	40141739	14	14
40096327	48	19	40140041	28	12	40141740	14	19
40096354	48	1	40140041	42	17	40141741	16	13
40097040	50	13	40141333	36	1·2	40141742	16	27
40101638	24	30	40141333	42	31·44	40141743	18	60
40101638	28	23	40141334	36	1·2	40141744	16	12
40101641	24	28	40141334	44	31·44	40141745	18	53
40101642	24	31	40141477	8	65	40141746	18	57
40101649	28	6	40141477	42	23	40141747	18	52
40105465	38	15·16	40141478	6	17	40141748	18	68
40105465	44	40·41	40141478	42	22	40141753	18	54
40105475	38	15·16	40141479	8	51	40141754	16	46
40105475	44	40·41	40141479	42	21	40141755	16	45
40108754	16	6	40141480	42	5	40141756	18	55
40111214	4	73	40141481	42	7	40141757	16	44
40111214	38	17	40141482	42	9	40141758	22	6
40111214	42	20	40141483	4	79	40141759	22	7
40112711	20	11	40141483	42	12	40141760	22	9
40112711	52	8	40141484	42	11	40141774	24	35
40113427	40	46	40141487	42	27~29	40141778	28	5

NUMERICAL INDEX OF PARTS

PART NO	PAGE	REF NO.	PART NO	PAGE	REF NO.	PART NO	PAGE	REF NO.
40141779	28	18	B1414232000	22	28	CS0800881TP	24	25
40141780	32	5	B1509761000	18	72	CS1000881TP	10	31
40141781	32	4	B1509761000	20	4	CS1501181TP	22	17
40141782	32	8	B1509761000	52	40	D1508772K00	54	44
40141783	32	13	B151077100B	18	73	D1511771KA0A	18	70
40141785	32	19	B151077100B	20	3	D1511772KA0	52	38
40141786	32	17	B151077100B	52	41	D3162555B00	8	54
40141787	32	25	B151077100B	54	41	D6056555B00	4	61
40141788	16	30	B1511771000B	18	71	D6056555B00	46	11
40141794	18	49	B1511772000A	52	39	D8204555D00	34	6
40141795	2	33	B1512761000	18	74	E2002855000	4	60
40141798	46	26	B1512761000	52	42	E8760452S00	40	45
40141799	46	25	B1512761000	54	42	EA9500B0100	8	56
40141801	16	31	B1552781000A	18	76	EA9500B0100	24	3
40141802	30	70	B1623180000	28	34	EA9500B0100	40	44
40142148	2	17	B1811771000	14	28	EA9500B0100	50	23
40142152	10	2	B2583210D00	50	26	EA9500B0200	40	58
40142161	16	29	B2702047K00A	46	21·33	G50011980A0A	50	1
40142163	32	11	B2702047L00A	32	22	GPK510010B0	50	12
40142164	32	12	B2702047M00A	46	21·33	HD00057000A	16	2
40142166	26	49	B2702210000	6	24	HD00057000A	26	47
40142170	28	2	B2703210000	6	25	HD00057000A	28	19
40142171	46	13	B3013141H0A	28	35	HD00057000A	42	10
40142172	46	24	B3214047000	8	64	HD00057000A	50	32
40142267	38	23	B3214047000	50	6	HF0013050P0	40	56·57
40142267	42	39	B3216047000	50	8	HF003000200	40	56·57
40142752	14	24	B3218232000	50	7	HM0003800A0	4	74
40142753	14	22	B3219232000	50	5	HX001500000	4	81
40142754	14	23	B3221771000	50	4	HX00150000A	28	1
40142755	16	33	B32217710A0	50	3	HX00150000D	40	48
40142878	12	47	B9107761000	46	23	HX00151000A	8	57
40142880	10	44	B91210120A0	46	19	HX00222000D	38	31
40142887	2	18	BT0400251EB	50	20	HX002550000	14	33
40142906	2	5	CM300100001	40	39	HX00292000A	38	21
40142966	34	1	CM300100402	40	41	HX00339000M	38	22
40142969	40	62	CM300200001	4	72	KX000000210	34	13
40143150	10	5	CM300200001	52	35	KX000000230	34	14
40143770	2	1	CM300200003	4	68	KX000000260	38	19
40143988	38	5·6	CM300400602	40	40	KX000000320	38	32
40143989	38	5·6	CM301300001	4	71	KX000000380	4	54
40143990	38	27	CM600100101	40	42	M300451100A	40	49
40145327	4	78	CM600100201	46	7	M8002430000	38	34
40145328	2	20	CQ202000000	14	27	M90175800A0	42	24~26
40145523	46	14	CQ252000000	12	50	MAO11532000	50	22
40147891	40	61	CQ252000000	14	32	MAZ16013000	26	69

NUMERICAL INDEX OF PARTS

PART NO	PAGE	REF NO.	PART NO	PAGE	REF NO.	PART NO	PAGE	REF NO.
MDFRX1200C0	46	20	SB408000100	18	47	SL6040892TN	46	6
MDP5J0B1100	22	16	SB710000600	16	14	SL6041292TN	30	74
MDP5J0B1102	46	5	SD0250101SP	28	42	SL6041492TN	32	3
MTSHJ100003	34	18	SD0500166TP	28	43	SL6061492TN	32	6
MTSHJ100003	40	50	SD0500167TP	28	44	SM0040801SC	2	19
NM6030001SD	2	22	SD0600266TP	24	8	SM0050801SC	8	53
NM6040000SN	24	32	SD0600326TP	24	21	SM0860400SN	6	9
NM6040001SC	2	21	SD0790203SP	18	77	SM1030400SP	30	48
NM6040001SD	28	66	SD0790203SP	20	9	SM4040655SP	2	28
NM6040001SD	30	66	SD0790203SP	52	21	SM4041050TP	30	58
NM6050001SE	48	24	SD0800296TP	28	62	SM4051001SC	34	15
NM6050001SP	22	22	SD0800296TP	30	62	SM4051055SP	2	16
NM6050001SP	24	57	SD0800326TP	16	35	SM4051405SE	48	23
NM6050001SP	26	57	SD0800406TP	24	22	SM4051655SP	2	12
NM6050001SP	28	11	SD0801006TP	28	67	SM5040550TP	16	28
NM6060001CP	50	27	SD0801006TP	30	67	SM5040655SN	8	47
NM6060001SD	4	53	SD0801506TP	24	23	SM5040655SN	50	35
NM6060001SD	46	30	SD1000646TP	50	38	SM6031402TP	2	23
NM6080002SC	34	17	SK3311600SC	34	5	SM6040450TP	28	61
NM6080002SC	40	55	SK3382001SE	36	3	SM6040450TP	30	61
NM6100001SD	10	8	SK3412001SE	50	21	SM6040450TP	52	6
NS6110310SP	8	61	SK3452000SC	50	10	SM6040502TP	16	41
NS6110310SP	50	9	SK3482001SE	50	41	SM6040502TP	22	35
PF0551060A0	50	15	SK3512001SE	40	52	SM6040600SP	24	59
PF902005000	50	16	SL4030881SC	4	80	SM6040600SP	26	59
PJ025100003	50	17	SL4030881SC	40	38	SM6040600SP	28	59
PV015122000	50	18	SL4031091SC	16	19	SM6040600SP	30	59
RC0100001KP	10	4	SL4031091SC	24	7	SM6040602TP	2	82
RC0560711KP	6	44	SL4031091SC	28	13	SM6040602TP	4	82
RC1700001KP	6	4	SL4031091SC	50	33	SM6040602TP	8	50
RC2791218KP	14	7	SL4040881SC	38	37	SM6040602TP	16	20
RC3781518KP	10	3	SL4040881SC	40	37	SM6040602TP	24	58
RE0300000K0	24	2	SL4040891SC	46	27	SM6040602TP	26	58
RE0400000K0	6	45	SL4041081SC	38	24	SM6040602TP	28	57
RE0500000K0	16	42	SL4041091SC	34	12	SM6040602TP	30	57
SB104000800	32	15	SL4041091SC	40	47	SM6040602TP	46	28
SB110000600	14	2	SL4041281SC	38	33	SM6040650TP	4	77
SB110000700	10	7	SL4041291SC	4	76	SM6040750TP	22	32
SB112000300	32	7	SL4042091SC	4	75	SM6040802TP	16	61
SB112001600	14	1	SL4042091SC	38	18	SM6040802TP	18	61
SB115000200	14	3	SL4051291SC	34	20	SM6040802TP	20	14
SB115001500	14	4	SL6031042TN	50	34	SM6040802TP	24	12
SB120000800	10	34	SL6040892TN	2	63	SM6040802TP	28	15
SB120002700	10	14	SL6040892TN	4	63	SM6040860TP	6	10
SB307000200	18	56	SL6040892TN	30	72	SM6040860TP	24	11

NUMERICAL INDEX OF PARTS

PART NO	PAGE	REF NO.	PART NO	PAGE	REF NO.	PART NO	PAGE	REF NO.
SM6041002TP	16	22	SM8050502TP	16	40	WP0451016SP	28	38
SM6041002TP	32	26	SM8050502TP	22	18	WP0531001SC	48	22
SM6041200SP	24	13	SM8050502TP	24	20	WP0550800SP	26	56
SM6041200SP	30	60	SM8050602TP	18	66	WP0551016SH	52	24
SM6041202TP	10	40	SM8050612TP	32	20	WP0612056SD	4	55
SM6041202TP	16	38	SM80506A2TP	10	30	WP0612056SD	46	29
SM6041202TP	22	10	SM8060552TP	16	39	WP0621046SP	10	12
SM6041602TP	18	62	SM8060612TP	18	69	WP0651646SC	40	59
SM6050652TP	2	29	SM80606A2TP	2	38	WP0851846SC	34	19
SM6050652TP	24	14	SM80606A2TP	6	14	WP0852086SC	40	53
SM6050652TP	50	36	SM80606A2TP	10	32	WP1612616SE	48	15
SM6050800SP	18	63	SM80606A2TP	14	15	WS0410002KP	6	16
SM6050800SP	20	12	SM80606A2TP	16	26	WS0510002KN	48	21
SM6050800SP	24	15	SM80606A2TP	22	19	WS0820002KR	34	16
SM6050800SP	52	9	SM80608A2TP	10	48	WS0820002KR	40	54
SM6050802TP	2	48	SM80608A2TP	12	48	WT0640001KN	40	60
SM6050802TP	4	48	SM8081652TP	10	21			
SM6050802TP	6	11	SM9040700SP	28	17			
SM6050802TP	24	60	SM9040700SP	32	24			
SM6050802TP	26	60	SM9040800SP	6	15			
SM6050802TP	30	75	SM9061403CP	10	13			
SM6051002TP	18	65	SS6060210SP	18	75			
SM6051202TP	26	68	SS6060210SP	20	8			
SM6051202TP	32	10	SS6060210SP	52	43			
SM6051402TP	32	21	SS6060210SP	54	43			
SM6052002TR	10	23	SS7110570SP	46	16			
SM6061002TP	2	36	SS7110840SP	8	55			
SM6061002TP	16	23	SS8660612TP	52	4			
SM6061002TP	46	17	ST9053511SR	34	2			
SM6061202TP	22	20	TA0500301R0	4	46			
SM6061202TP	32	31	TA0550604R0	4	83			
SM6061802TP	16	24	TA0750404R0	4	84			
SM6061802TP	22	12	TA0850604R0	4	67			
SM6062502TP	10	11	TA1050504R0	2	32			
SM6067052TP	2	37	TA1250406R0	2	34			
SM6067052TP	46	9	TA1550902R0	2	35			
SM7030550TP	22	15	TA2100904R0	4	85			
SM7030550TP	30	56	WP0430800SC	30	51			
SM8030412TP	6	13	WP0430800SC	38	4			
SM8040802TP	8	49	WP0430801SC	24	6			
SM8050412TP	16	17	WP0430801SC	28	26			
SM8050412TP	24	19	WP0430801SC	32	23			
SM8050412TP	28	16	WP0431005SP	26	53			
SM8050502TP	8	48	WP0431005SP	28	37			
SM8050502TP	14	10	WP0450826SC	6	46			