

MODEL : AMS-221ENTS

List No : 1648-05

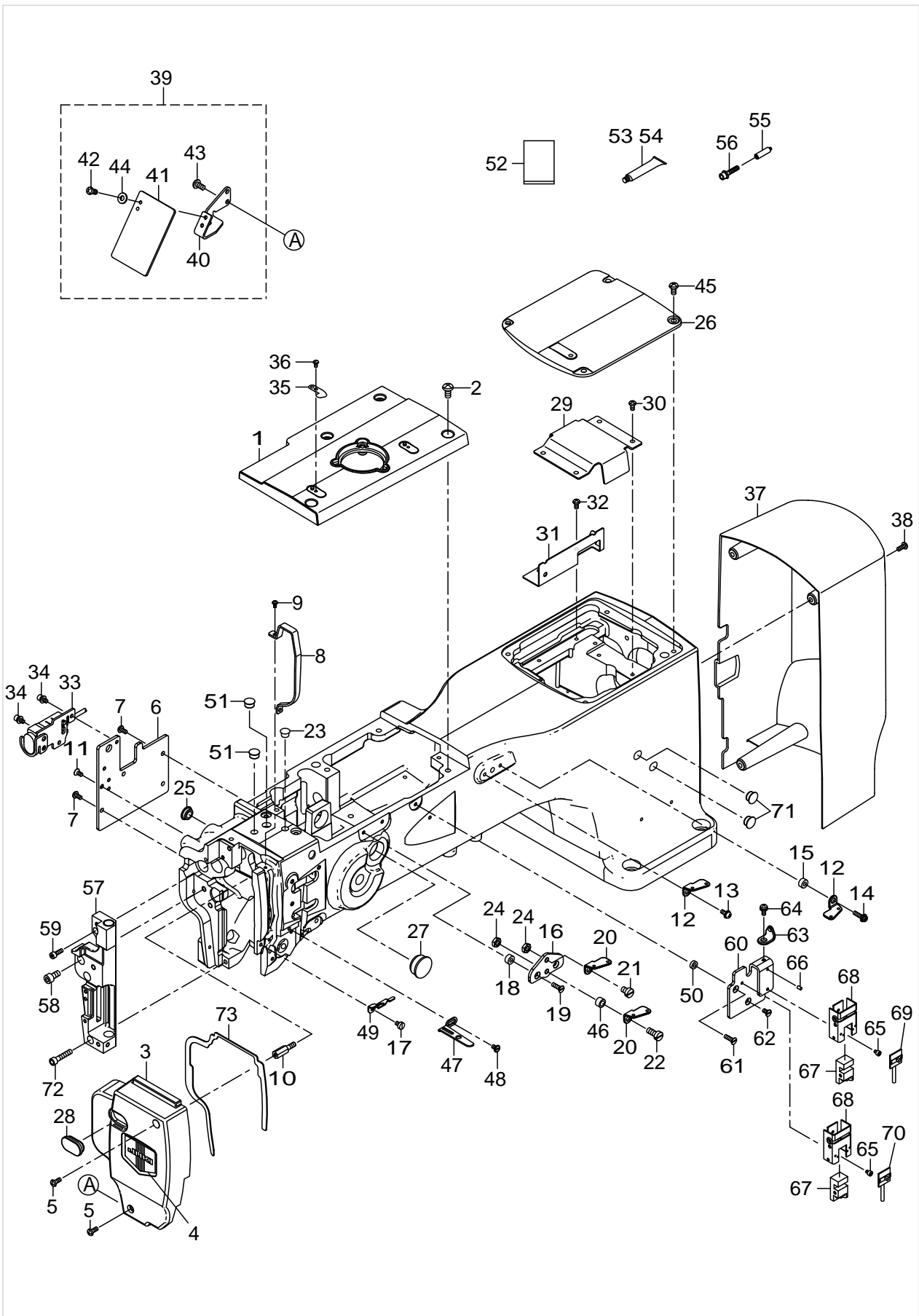
PARTS LIST

Published:05/12/2017

CONTENTS

FRAME & MISCELLANEOUS COVER COMPONENTS (1)	1
FRAME & MISCELLANEOUS COVER COMPONENTS (2)	5
FRAME & MISCELLANEOUS COVER COMPONENTS (3)	9
FRAME & MISCELLANEOUS COVER COMPONENTS (4)	13
MAIN SHAFT & THREAD TAKE UP LEVER COMPONENTS	15
NEEDLE BAR COMPONENTS	19
PRESSER MECHANISM & PRESSER VARIABLE COMPONENTS (1)	25
PRESSER MECHANISM & PRESSER VARIABLE COMPONENTS (2)	29
SHUTTLE DRIVER SHAFT COMPONENTS	33
WIPER MECHANISM COMPONENTS	37
TENSION RELEASE & THREAD TENSION COMPONENTS	39
THREAD TRIMMER MECHANISM COMPONENTS	43
THREAD CLAMP COMPONENTS	47
X-Y COMPONENTS (1)	51
X-Y COMPONENTS (2)	55
CLOTH FEED MECHANISM COMPONENTS (1)	59
CLOTH FEED MECHANISM COMPONENTS (2)	61
TABLE COMPONENTS	63
PNEUMATIC COMPONENTS	69
THREAD STAND COMPONENTS	71
OPERATION PANEL COMPONENTS	73
CONTROL BOX COMPONENTS	77
WIRING DIAGRAM	81
PEDAL COMPONENTS	85
ACCESSORIE PART COMPONENTS	87
LIST FOR INFORMATION OF CHANGE	89
HOW TO MAKE USE OF THIS PARTS LIST	90

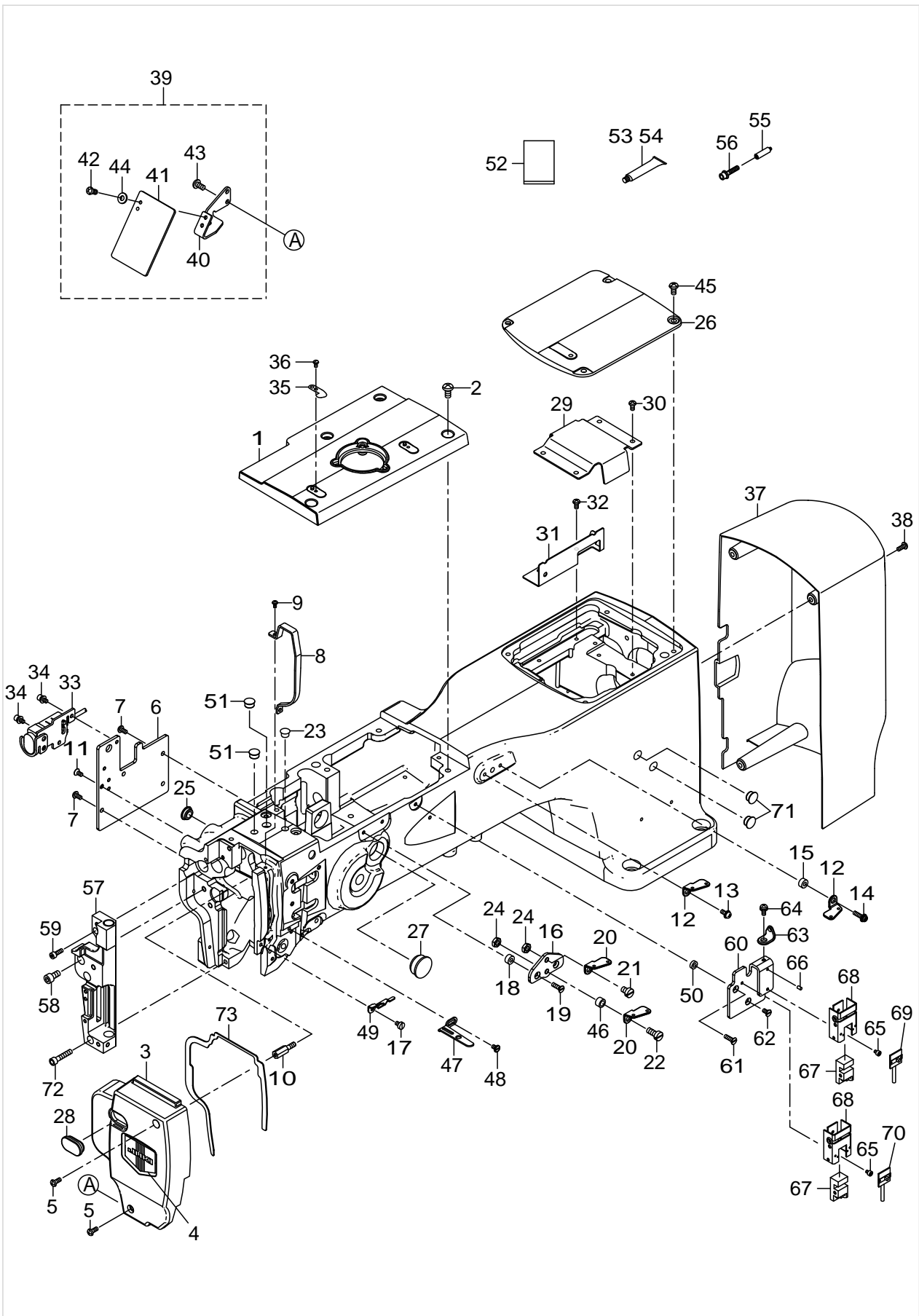
FRAME & MISCELLANEOUS COVER COMPONENTS (1)



FRAME & MISCELLANEOUS COVER COMPONENTS (1)

No.	Supply Code	Parts No.	Replacement	Parts name	Remarks	Choice	Step	Level	Cons	Qty	Rep. QTY
1		40032158		TOP_COVER_FRONT						1	
2		SM4061255SP		SCREW M6 L=12						4	
3		40140300		FACE_COVER						1	
4		22902506		FACE PLATE						1	
5		SM4041055SP		SCREW						2	
6		40140244		PRESSER_MECHANISM_COVER						1	
7		SM4040855SP		SCREW						4	
8		40030828		THREAD_TAKE_UP_LEVER_COVER						1	
9		SM4030601SN		SCREW M3X6						2	
10		40140212		FACE STUD						1	
11		SM1040870TP		SCREW						1	
12		26211904		THREAD GUIDE PLATE						2	
13		SL4041091SC		SCREW M4 L=10						1	
14		SL4041691SC		SCREW M4 L=16						1	
15		40141178		THREAD_GUIDE_COLLAR_A						1	
16		40140298		THREAD_GUIDE_BASE						1	
17		SM6040650TP		SCREW						1	
18		40141178		THREAD_GUIDE_COLLAR_A						2	
19		SM1041400SP		SCREW						2	
20		26211904		THREAD GUIDE PLATE						2	
21		SM6060800SP		SCREW M6 L=8						1	
22		SM6061400SP		SCREW M6 L=14						1	
23		TA0850604R0		RUBBER PLUG						1	
24		NM6060003SC		NUT M6X1 TYPE3						2	
25		TA1250406R0		RUBBER PLUG D=12.5 L=4						1	
26		40032159		TOP_COVER_REAR						1	
27		TA2351004R0		RUBBER PLUG						1	
28		40028877		FACE_COVER_CAP						1	
29		40010405		CRANK_ROD_COVER						1	
30		SM4040855SP		SCREW						4	
31		40084115		GREASE PLATE						1	
32		SM4040855SP		SCREW						2	
33		40040242		STOP SW ASM.						1	
34		SL6040892TN		BOLT						2	
35		10502300		THREAD CUTTER					☆	1	
36		SM4030601SN		SCREW M3X6						1	
37		40027971		MOTOR_COVER						1	
38		SM4041055SP		SCREW						4	
39		40006484		SAFETY PLATE COMPL.						1	
40		40051987		SAFETY PLATE BASE					*	1	
41	R	B3120372000	26037200	SAFETY PLATE					*	1	1.00
42		SM4040655SP		SCREW M4 L=6					*	2	
43		SM4040855SP		SCREW					*	2	
44		WP0450801SD		WASHER 4.5X10X0.8					*	2	
45		SM4051055SP		SCREW						4	
46		40141179		THREAD_GUIDE_COLLAR_B						1	

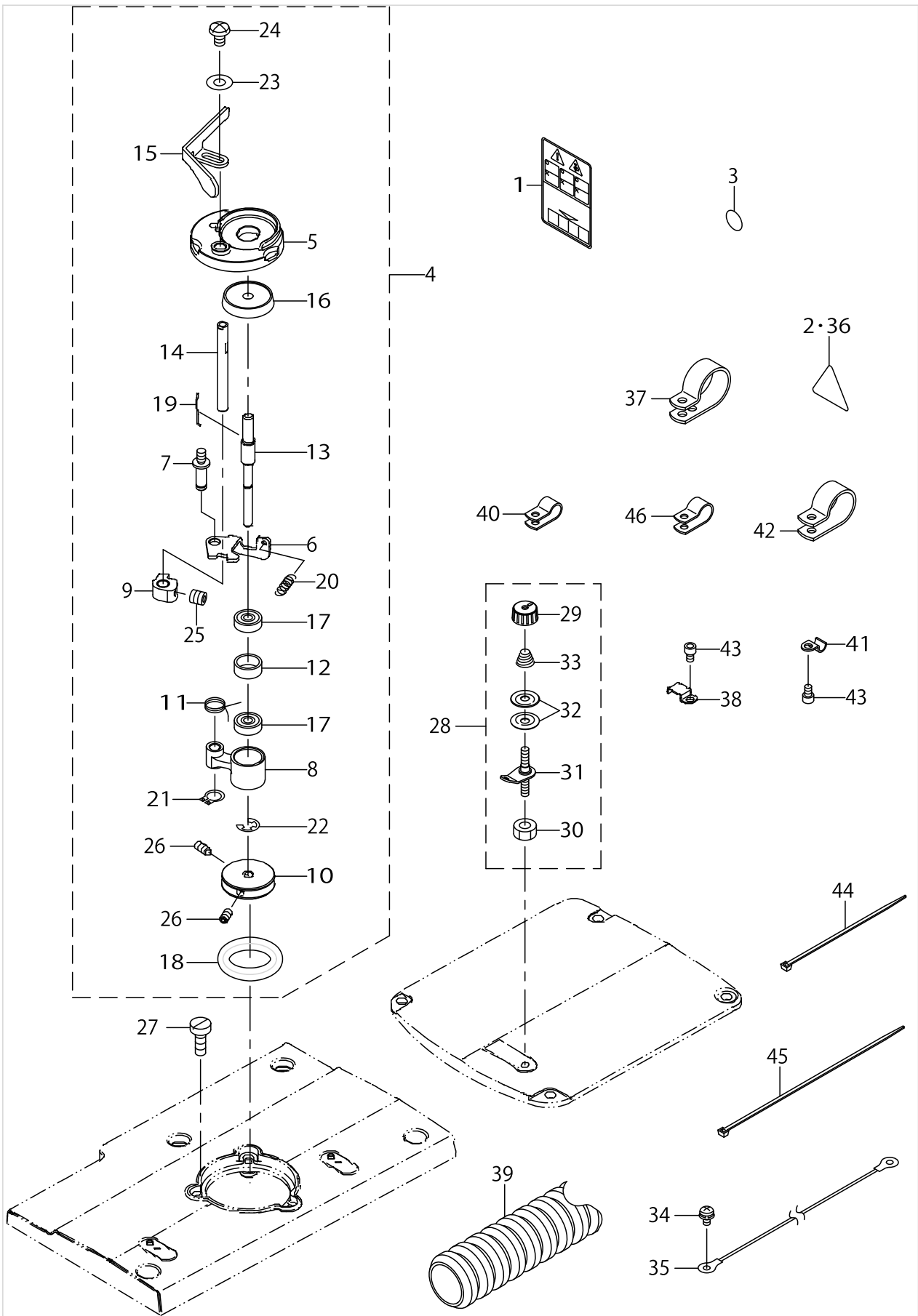
FRAME & MISCELLANEOUS COVER COMPONENTS (1)



FRAME & MISCELLANEOUS COVER COMPONENTS (1)

No.	Supply Code	Parts No.	Replacement	Parts name	Remarks	Choice	Step	Level	Cons	Qty	Rep. QTY
47		40141945		ARMTHREADGUIDEA						1	
48		SM6040650TP		SCREW						1	
49		40140292		THREAD GUIDE 2C						1	
50		B1513210000		CLOTH PRESSER M- AGNET SPACER						1	
51		TA1050604R0		RUBBER_PLUG						2	
52		40031336		FLAT_BAG						1	
53		40013640		JUKI_GREASE_B_TUBE					☆	1	
54		40006323		JUKI GREASE A TUBE					☆	1	
55		40036110		GREASE_JOINT_B						1	
56		SL6084092TN		BOLT						1	
57		40140207		ARM SPACER						1	
58		SM6061202TP		SCREW M6 L=12						2	
59		SM6041202TP		SCREW M4 L=12						2	
60		40140303		SENSOR_BASE						1	
61		SM1041400SP		SCREW						1	
62		SM1040800SP		SCREW						1	
63		40010414		THREAD_GUIDE_NO.1						1	
64		SL4041091SC		SCREW M4 L=10						1	
65		SM6030500SN		SCREW M3 L=5						2	
66		PS0250062KH		SPRING PIN 2.5X6						1	
67		40140984		YARN MOVEMENT SENSOR						2	
68		40140988		YARN GUIDE SUPPORT						2	
69		40140986		SENSOR CABLE R ASM.						1	
70		40140987		SENSOR CABLE L ASM.						1	
71		TA1100604R0		PLUG						2	
72		SM6052502TP		SCREW M5X0.8 L=25						1	
73		40145973		FACE PLATE CUSHION						1	

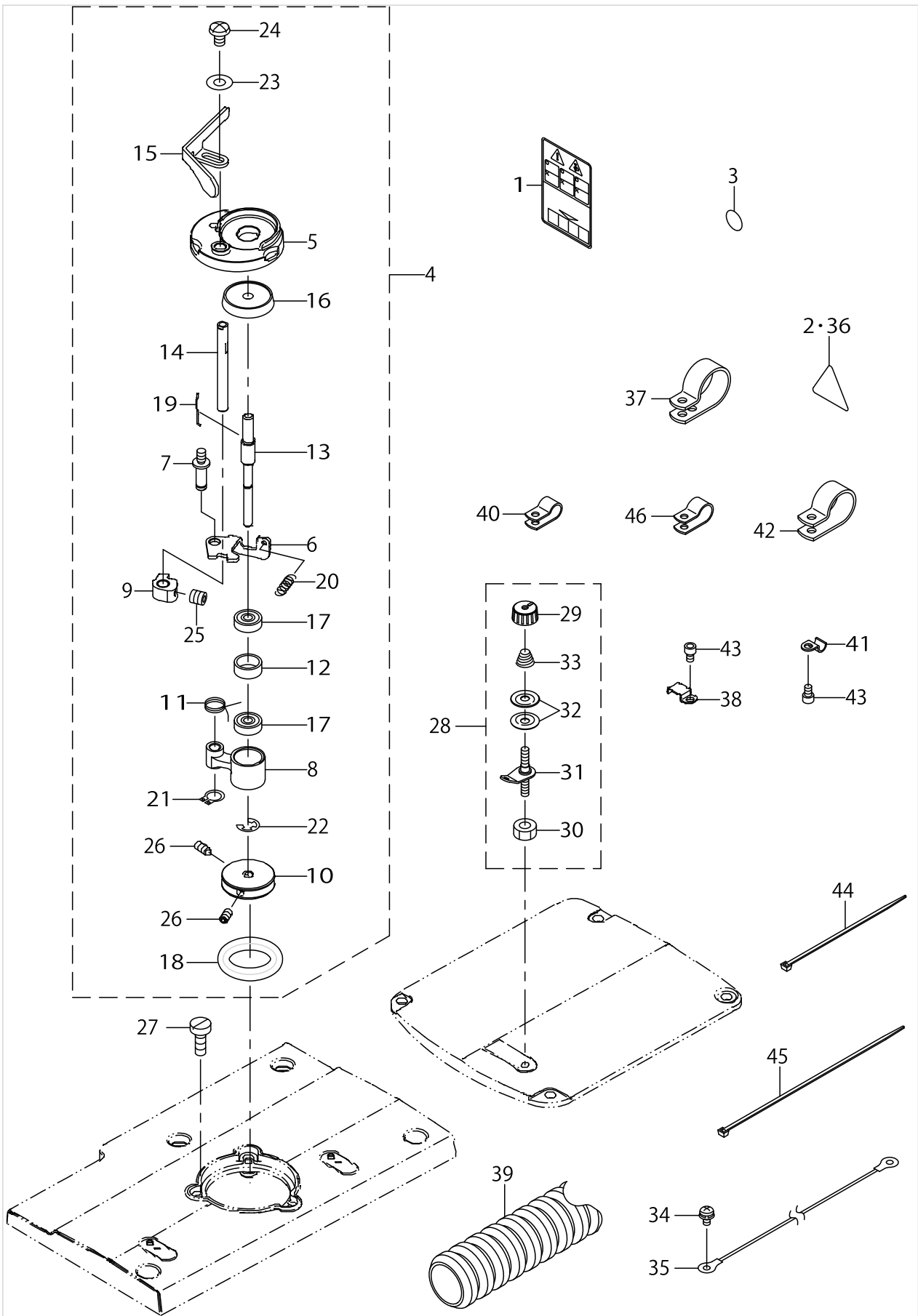
FRAME & MISCELLANEOUS COVER COMPONENTS (2)



FRAME & MISCELLANEOUS COVER COMPONENTS (2)

No.	Supply Code	Parts No.	Replacement	Parts name	Remarks	Choice	Step	Level	Cons	Qty	Rep. QTY
1		CM301200001		SAFETY LABEL_S						1	
2		CM300200003		ATTENTION LABEL						4	
3		22901805		GROUND MARK						1	
4		40028338		BOBBIN_WINDER_UNIT						1	
5	R	26260109	26260000	BTW_BASE				*		1	1.00
6		26260208		BTW_CAM_PLATE				*		1	
7		26260307		BTW_BASE_SHAFT				*		1	
8		26260406		BTW_SHAFT_BASE				*		1	
9		26260505		BTW_CAM_LEVER				*		1	
10		26260604		BTW_WHEEL				*		1	
11		26260703		BTW_TORSION_SPRING				*		1	
12	R	26260802	26260000	BTW_BEARING_SPACER				*		1	1.00
13		40023865		BTW_SHAFT				*		1	
14	D	40023866		BTW_LEVER_SHAFT				*		1	
15		40030829		BTW_LEVER				*		1	
16		26261206		BTW_SPACER				*		1	
17	R	26261305	26260000	BTW_BEARING				*		2	1.00
18		26261503		BTW_WHEEL_RUBBER				*	☆	1	
19		26261602		BOBBIN_SPRING				*		1	
20		26261701		BTW_SPRING				*		1	
21		RC0560711KP		RETAINING RING				*		1	
22		RE0400000K0		E-RING 4				*		1	
23		WP0450826SC		WASHER 4.5X10X0.8				*		1	
24		SM5040655SN		SCREW				*		1	
25		SM8050502TP		SCREW M5 L=5				*		1	
26		SM8040802TP		SCREW M4X8				*		2	
27		SM6041150TP		SCREW						3	
28		14113468		BOBBIN THREAD TENSION ASM.						1	
29		11072402		THREAD TENSION NUT				*		1	
30		NS6110310SP		NUT 11/64-40				*		1	
31		14113450		BOBBIN THREAD T- ENSION ROD ASM.				*		1	
32	R	B3126012000	22921506	THREAD TENSION DISK				*		2	1.00
33		D7133555B00		CONNECTING ROD SPRING				*		1	
34		SL4040891SC		SCREW M4 L=8						1	
35		40005712		EARTH CODE ASM.						1	
36		CM300200001		FINGER INJURY CA- UTION LABEL (16)						6	
37		HX00150000M		CABLE CLAMP						3	
38		B3509210000		OIL TUBE HOLDER C						6	
39		HX00307000E		TUBE						.45	
40		HX00150000C		CABLE BAND						1	
41		B3538112000		OIL RETURN TUBE HOLDER						3	
42		HX00150000K		CABLE CLIP						1	
43		SM6040602TP		SCREW M4 L=6						9	
44		EA9500B0100		CABLE BAND						6	
45		EA9500B0200		CABLE BAND 150						6	

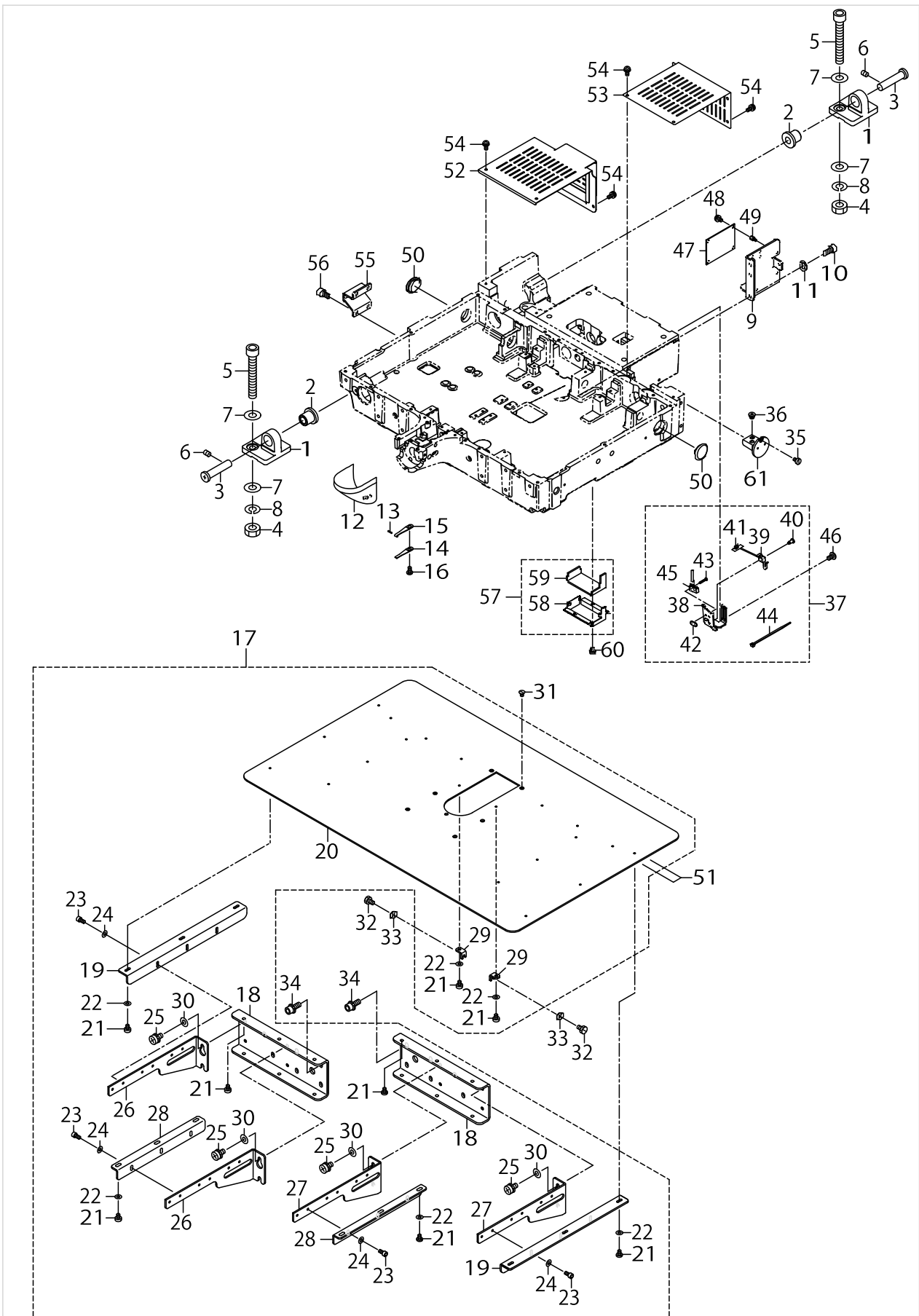
FRAME & MISCELLANEOUS COVER COMPONENTS (2)



FRAME & MISCELLANEOUS COVER COMPONENTS (2)

No.	Supply Code	Parts No.	Replacement	Parts name	Remarks	Choice	Step	Level	Cons	Qty	Rep. QTY
46		HX00150000D		CABLE CLIP						3	

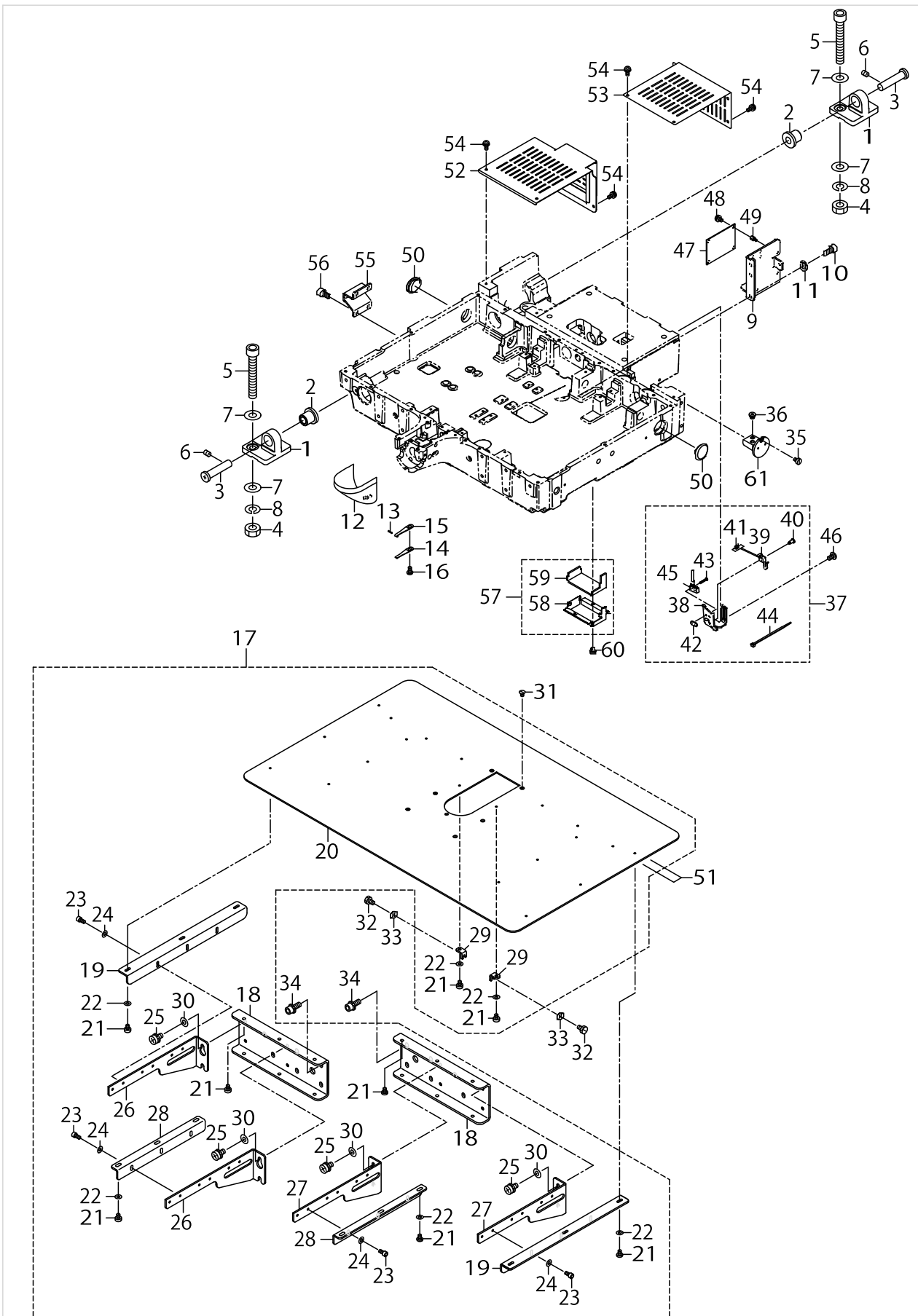
FRAME & MISCELLANEOUS COVER COMPONENTS (3)



FRAME & MISCELLANEOUS COVER COMPONENTS (3)

No.	Supply Code	Parts No.	Replacement	Parts name	Remarks	Choice	Step	Level	Cons	Qty	Rep. QTY
1		B1111215000		BED HINGE						2	
2		B1115215000		BED HINGE RUBBER PAD						2	
3		B2529232000		FEED ACROSS REG- ULATOR SHAFT						2	
4		NM6100001SD		NUT M10						4	
5	D	SM6107002TP		SCREW M10 L=70						4	
6		SM8060812TP		SCREW M6 L=8						4	
7		WP1052001SC		WASHER 10.5X21X2						8	
8		WS1020002KN		SPRING WASHER M10						4	
9		40024997		LIFTER_BASE						1	
10		SM6061202TP		SCREW M6 L=12						2	
11		WP0651001SC		WASHER						2	
12	R	13816855	40142674	CYLINDER ARM CAP						1	1.00
13		13508700		HOOK COVER PRE- SSER SPRING PIN						1	
14		26221200		HOOK COVER PRESSER SPRING B						1	
15		26221101		HOOK COVER PRESSER SPRING A						1	
16		SM5040855SN		SCREW						1	
17		40090331		NEEDLE_PLATE_SU- Pपोर्ट_COVER_ASM.						1	
18		40051499		COVER_SUPPORT_BASE				*		2	
19		40051502		COVER_BASE				*		2	
20		40032174		NEEDLE_PLATE_SUPPORT_COVER				*		1	
21		SM6450610TP		SCREW				*		18	
22		WP0450801SP		WASHER				*		12	
23		SM6040802TP		SCREW M4X0.7 L=8				*		12	
24		WP0450801SP		WASHER				*		12	
25		SL9061291SE		WASHER HEXAGON- AL BOLT M6 L=12				*		8	
26		40039547		COVER_SUPPORT_L				*		2	
27		40039546		COVER_SUPPORT_R				*		2	
28		B1132223C00		COVER BASE				*		2	
29		40086367		COVER SUPPORT B				*		2	
30		WP0612056SD		WASHER 6.1X18.5X2				*		8	
31		SM1040650TP		SCREW						2	
32		SM9050850SP		SCREW						2	
33		WP0520656SA		WASHER 5.2X9.5X0.6						2	
34		SL6061692TN		BOLT						10	
35		SM6040650TP		SCREW						1	
36		40006840		RUBBER BUSH						2	
37		40033182		SAFETY_SW_ASM.						1	
38		40033183		SAFETY_SW_BASE				*		1	
39		23638109		SAFETY SWITCH ARM				*		1	
40	R	40006497	40006495	SAFETY_SW_ARM_SHAFT				*		1	1.00
41	R	23638208	23638059	SAFETY SWITCH SPRING				*		1	1.00
42	R	23638406	23638059	SAFETY SWITCH NUT				*		1	1.00
43		SM4021201SC		SCREW M2 L=12				*		2	
44		EA9500B0100		CABLE BAND				*		1	
45	D	40029633		SAFETY SW CORD ASM.				*		1	

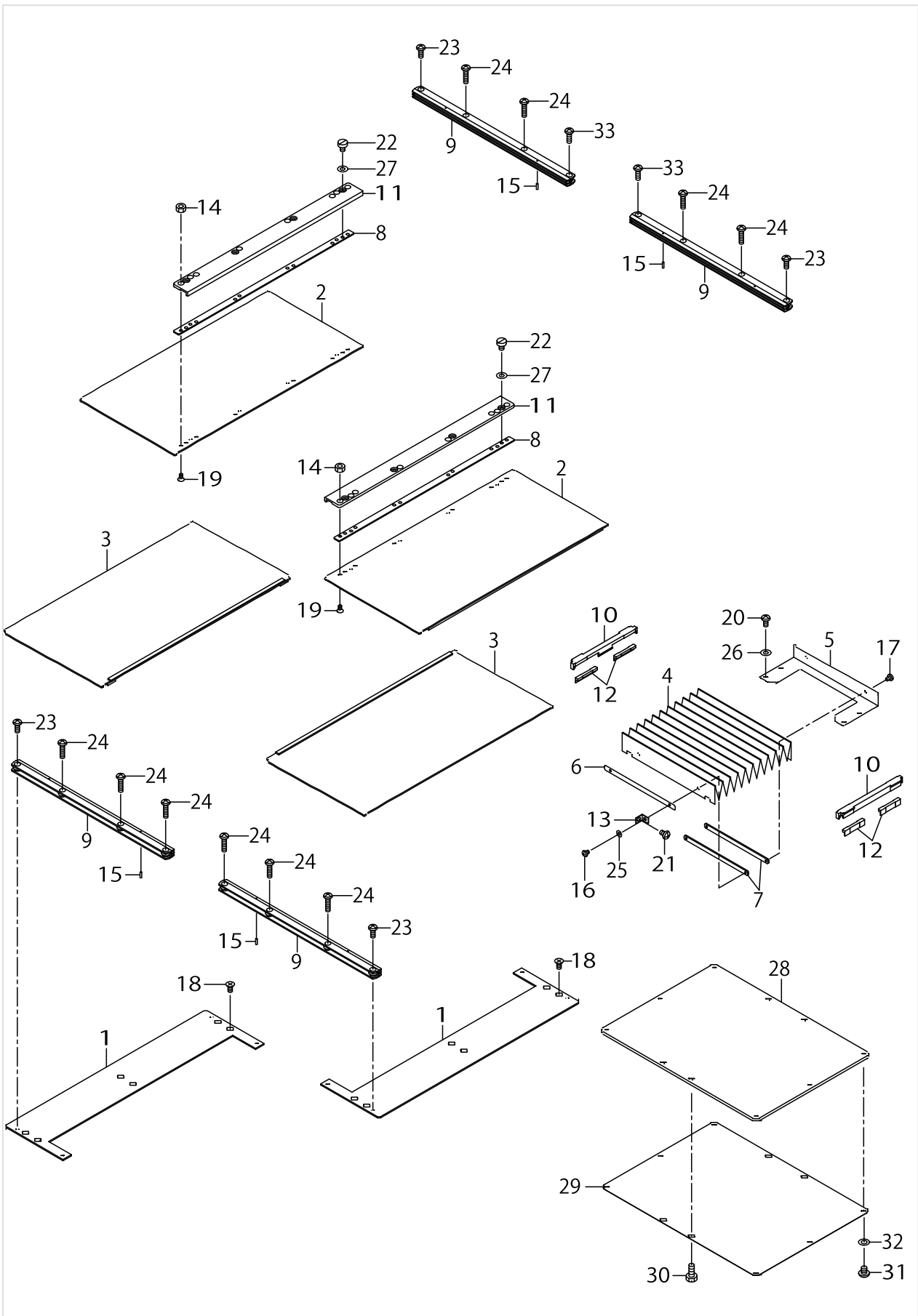
FRAME & MISCELLANEOUS COVER COMPONENTS (3)



FRAME & MISCELLANEOUS COVER COMPONENTS (3)

No.	Supply Code	Parts No.	Replacement	Parts name	Remarks	Choice	Step	Level	Cons	Qty	Rep. QTY
46		SM4050855SP		SCREW						1	
47		40040230		INT PCB ASM						1	
48		SL4040891SC		SCREW M4 L=8						4	
49		HX003390000		STUD						4	
50		B8267180000		RUBBER PLUG						2	
51		40051501		TAPE						1	
52		40057380		BED_COVER_LEFT_ASM.						1	
53		40032161		BED_COVER_RIGHT						1	
54		SL4041091SC		SCREW M4 L=10						9	
55		B1116215000		FRAME SUPPORT						1	
56		SM6061002TP		SCREW M6 L=10						4	
57		40026829		GEAR_COVER_ASM.						1	
58	R	40026830	40026829	GEAR_COVER				*		1	1.00
59	D	40026831		GEAR_COVER_FELT				*		1	
60		SL4040681SC		COMBINATION SCREW M4X8						2	
61		40006836		OIL TANK ASM.						1	

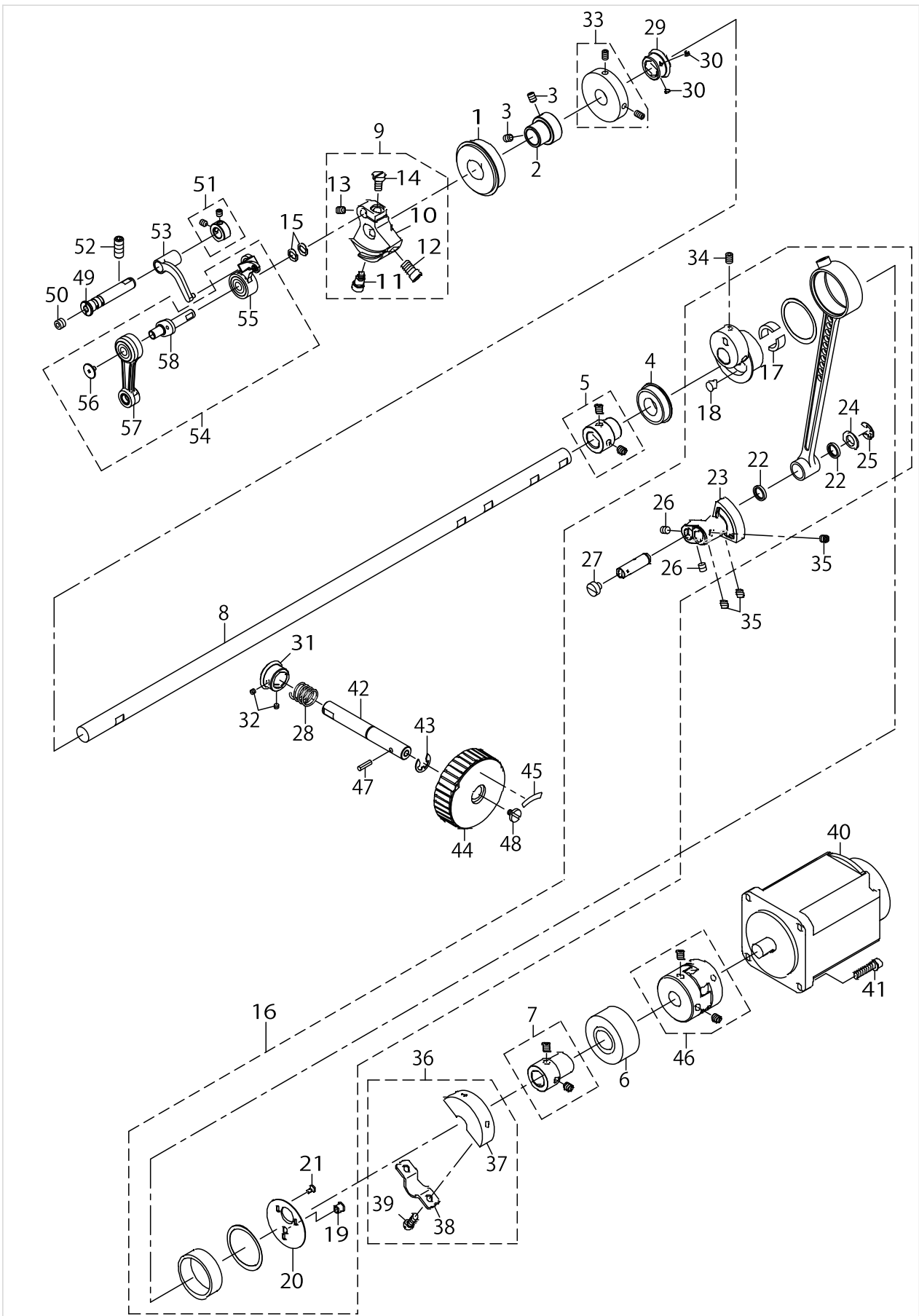
FRAME & MISCELLANEOUS COVER COMPONENTS (4)



FRAME & MISCELLANEOUS COVER COMPONENTS (4)

No.	Supply Code	Parts No.	Replacement	Parts name	Remarks	Choice	Step	Level	Cons	Qty	Rep. QTY
1		40032162		FEED_BASE_COVER						2	
2		40032168		X_FEED_UPPER_COVER_ASM.						2	
3		40032163		X_FEED_LOWER_COVER_ASM.						2	
4		40035705		FEED COVER						1	
5		40033186		FEED_COVER_STAY						1	
6		B1155221D00		FEED COVER FIX PLATE						1	
7		B1156221D00		FEED COVER FIX PLATE B						2	
8		40032167		FEED_COVER_RALL_STOPPER_PLATE						2	
9		B1181221D00		FEED BASE SUPPO-RT COVER RAIL X						4	
10		B1182221D00		Y GUIDE RAIL BRACKET						2	
11		B1183221D00		FEED BASE SUPPO-RT COVER RAIL Y						2	
12		B1193221D00		Y GUIDE RAIL BUSH						4	
13		B1157215000		MOVEMENT COVER PLATE						2	
14		NM6030003SC		NUT M3						8	
15		PS0150065KP		SPRING PIN 1.5X6						4	
16		SM4030401SC		SCREW M3X0.5 L=4						2	
17		SM7030450SC		SCREW M3X0.5 L=3.5						2	
18		SM1040801SP		SCREW M4X0.7 L=8						6	
19		SM1030601SP		SCREW M3 L=6						8	
20		SM4040855SP		SCREW						4	
21		SM4040655SP		SCREW M4 L=6						2	
22		SM6040650TP		SCREW						8	
23		SM4041055SP		SCREW						4	
24		SM4041655SP		SCREW M4 L=16						10	
25		WP0330501SB		WASHER M3						2	
26		WP0450801SD		WASHER 4.5X10X0.8						4	
27		WP0450801SD		WASHER 4.5X10X0.8						8	
28		40032177		PRESSER_PLATE						1	
29		40032178		PRESSER_PLATE_SHEET						1	
30		SM9051203CP		SCREW M5 L=12						4	
31		SM4050655SP		SCREW M5 L=6						6	
32		WP0531000SD		WASHER M5						6	
33		SM4041255SP		SCREW M4 L=12						2	

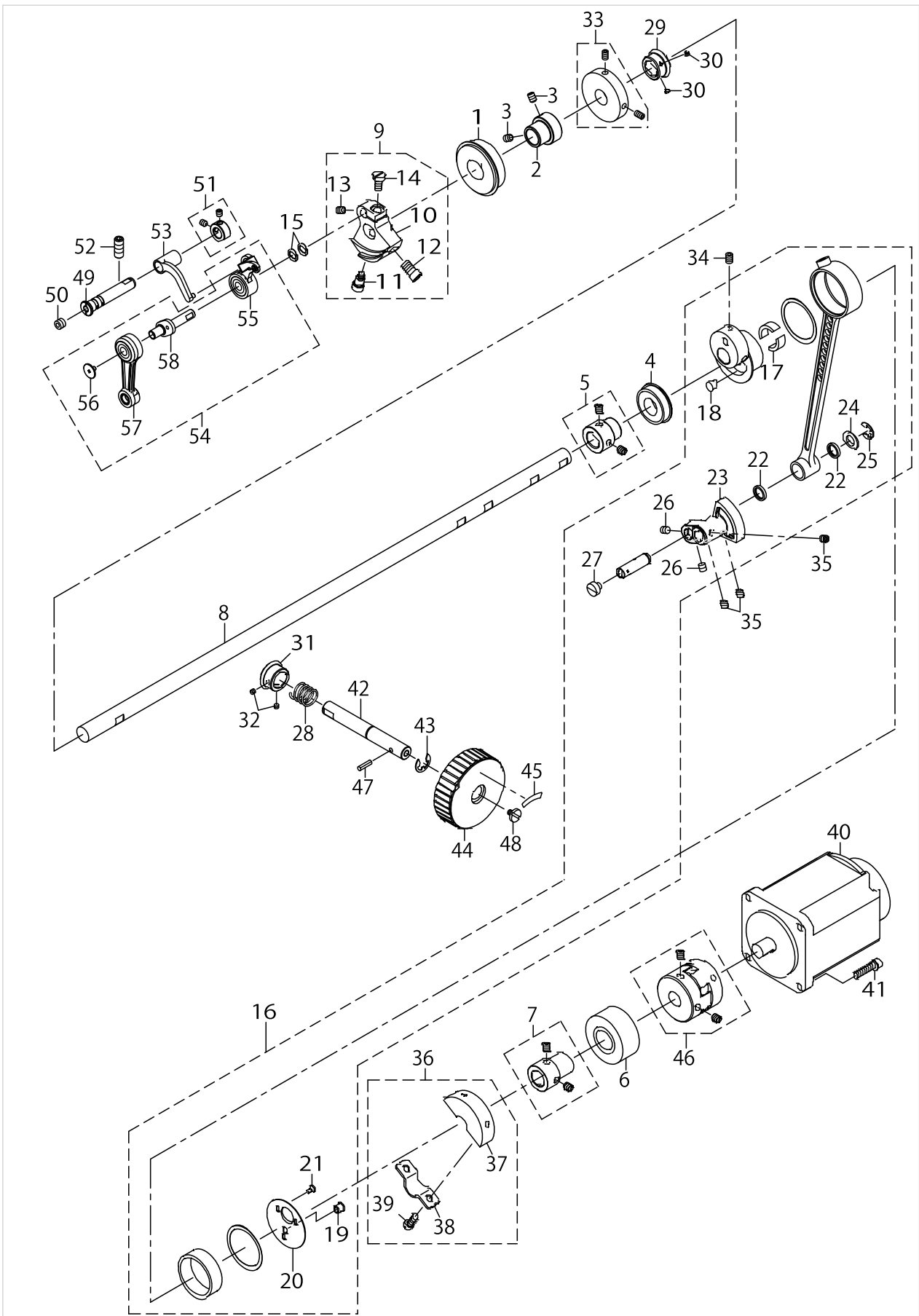
MAIN SHAFT & THREAD TAKE UP LEVER COMPONENTS



MAIN SHAFT & THREAD TAKE UP LEVER COMPONENTS

No.	Supply Code	Parts No.	Replacement	Parts name	Remarks	Choice	Step	Level	Cons	Qty	Rep. QTY
1		SB12000900		BEARING						1	
2		40140214		BEARING_BUSH						1	
3		SM8060812TP		SCREW M6 L=8						2	
4		SB120001800		BEARING						1	
5		40010415		BEARING_BUSH_A_ASM.						1	
6		SB120001700		BEARING						1	
7		40010418		BEARING_BUSH_B_ASM.						1	
8		40140213		MAIN_SHAFT						1	
9		40010422		COUNTER_WEIGHT_ASM.						1	
10	R	40010423	40010422	COUNTER_WEIGHT				*		1	1.00
11		40010424		COUNTER_WEIGHT_SCREW_A				*		1	
12		40010425		COUNTER_WEIGHT_SCREW_B				*		1	
13		40010426		COUNTER_WEIGHT_SCREW_C				*		1	
14		40010427		COUNTER_WEIGHT_SCREW_D				*		1	
15		WP0820516SP		WASHER 11.6X8.2X0.6						2	
16		40089367		CRANK_ROD_ALL_ASM.						1	
17		40006555		UNDER CAM FELT				*		2	
18		TA0670604R0		PLUG D=6.7 L=6				*		1	
19		TA0670604R0		PLUG D=6.7 L=6				*		1	
20		40010421		CRANK_ROD_SUPPORT_PLATE				*		1	
21		SM1030601SP		SCREW M3 L=6				*		3	
22		10108009		OIL SEAL				*		2	
23	R	40006561	40089367	OSCILLATOR				*		1	1.00
24		40026818		WASHER				*		1	
25		RE0800000K0		E-SHAPED SNAP RING (8MM)				*		1	
26		SM8480652TP		SCREW				*		2	
27		SM6060550TP		SCREW M6 L=4.5				*		1	
28		GAF01007000		SPRING						1	
29		40006515		GEAR_A						1	
30		SM8040310SS		SCREW M4 L=3						2	
31		40006516		GEAR_B						1	
32		SM8040310SS		SCREW M4 L=3						2	
33		40010533		BTW_DRIVING_WHEEL_ASM.						1	
34		SM8060812TP		SCREW M6 L=8						2	
35		SM8480652TP		SCREW						3	
36		40010437		CRANK_BALANCER_ASM.						1	
37	R	40010438	40010437	CRANK_BALANCER				*		1	1.00
38		40010439		CRANK_BALANCER_FIX_PLATE				*		1	
39		40010440		CRANK_BALANCER_FIX_PLATE_SCREW				*		2	
40		40052937		550W_SERVO_MOTOR						1	
41		SL6052592TN		BOLT						4	
42		40140332		PULLY_SHAFT						1	
43		RE1000000K0		E-RING 10						1	
44		B1212210D00		PULLEY						1	
45		B1144210000		REVOLVING DIRECTION LABEL						1	
46		40051473		COUPLING_ASM.						1	

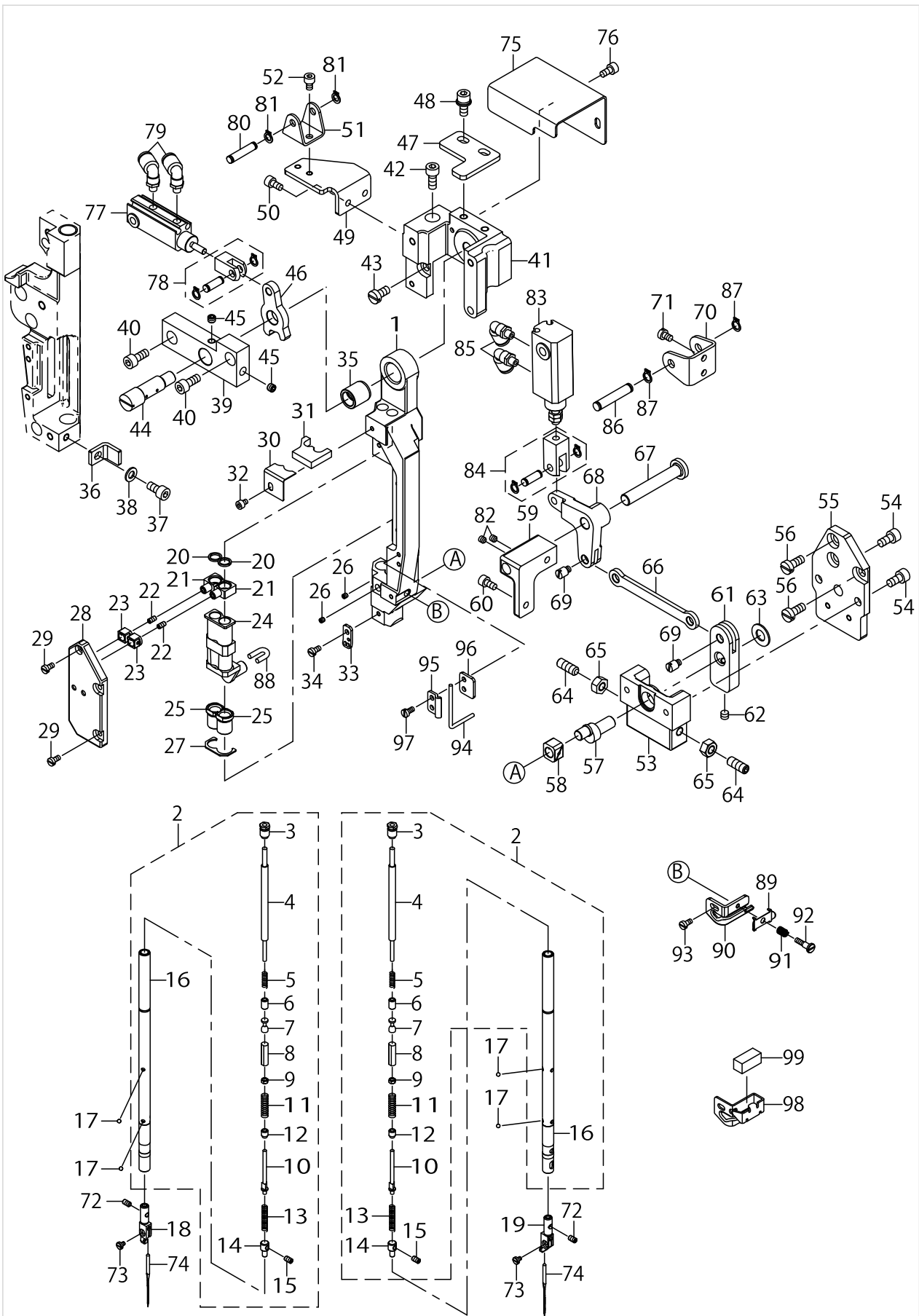
MAIN SHAFT & THREAD TAKE UP LEVER COMPONENTS



MAIN SHAFT & THREAD TAKE UP LEVER COMPONENTS

No.	Supply Code	Parts No.	Replacement	Parts name	Remarks	Choice	Step	Level	Cons	Qty	Rep. QTY
47		PS0400142KH		SPRING PIN 4X14						1	
48		A1230500000A		HANDWHEEL SETSCREW						1	
49		40112861		THREAD_TAKE_UP_- CRANK_SHAFT_D						1	
50		SM80606A2TP		SCREW M6 L=6						1	
51		40110841		THRUST_COLLAR_ASM.						1	
52		SM8082002TP		SCREW M8 L=20						1	
53		40006532		THREAD_TAKE_UP_CRANK						1	
54		40140324		THREAD_TAKE_UP_LEVER_ASM.						1	
55		40140328		THREAD_TAKE_UP_LEVER_COMPL.				*		1	
56	R	22918304	B1903552000	LEFT SCREW				*		1	1.00
57	R	40140218	40140324	NEEDLE_BAR_CRANK_ROD_COMP				*		1	1.00
58		40140336		NEEDLE_ROD_CRANK				*		1	

NEEDLE BAR COMPONENTS



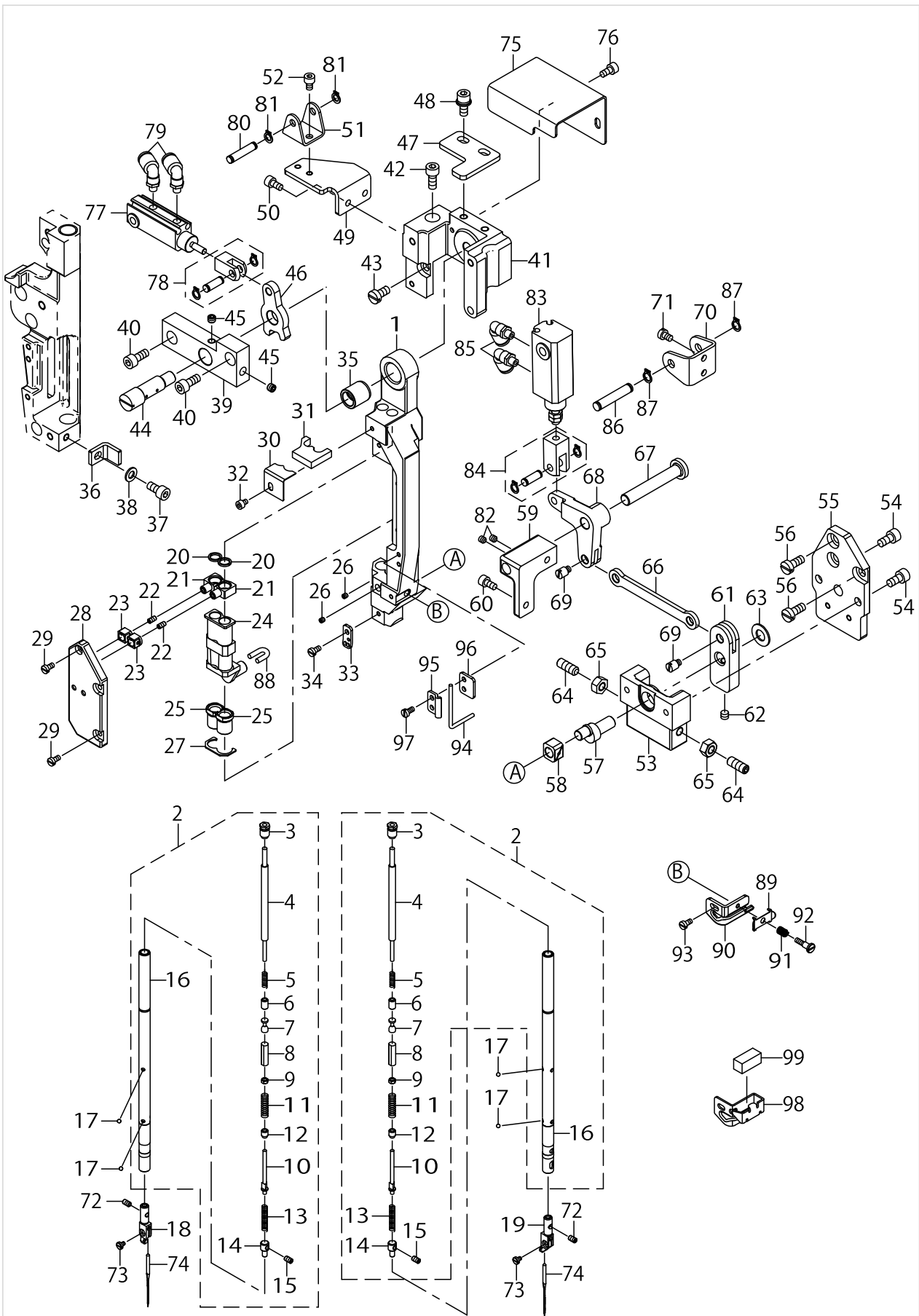
NEEDLE BAR COMPONENTS

No.	Supply Code	Parts No.	Replacement	Parts name	Remarks	Choice	Step	Level	Cons	Qty	Rep. QTY
1		40140215		NEEDLE_BAR_FRAME						1	
2		40140329		NEEDLE_BAR_ASM.						2	
3		40140219		PLUG SCREW				*		1	
4		40140221		PRESS BAR				*		1	
5		B1406526000		SPRING				*		1	
6		B1407526000		PRESS BAR SLEEVE				*		1	
7		10232502		SLIDE SHAFT				*		1	
8		40140222		ADJUSTING SCREW				*		1	
9		NS6060220SH		HEXAGONAL NUT 3/32-56				*		1	
10	R	B1412526000	B14125260A0	ADJUSTING SLIDE STUD				*		1	1.00
11		B1413526000		ADJUSTING SLIDE STUD SPRING				*		1	
12		B1414526000		ADJUSTING SHAFT SLEEVE				*		1	
13		B1415526000		SPRING				*		1	
14		G1403117000		ANCHOR				*		1	
15		B1425526000		SCREW 1/8-44 L=6				*		1	
16		40140220		NEEDLE BAR				*		1	
17		B1410526000		BALL						12	
18		40140223		NEEDLE_CLAMP_LEFT						1	
19		40140224		NEEDLE_CLAMP_RIGHT						1	
20		B1417526000		HALF RING						4	
21		40140225		NEEDLE BAR FIXED PIN						2	
22		SM8030612TP		SCREW						2	
23		40140247		SQUARE_BLOCK						2	
24		40140334		NEEDLE_BAR_BRACKET						1	
25		40140226		NEEDLE BAR LOWER BUSHING						2	
26		SM8030312TP		SCREW M3 L=3						2	
27		40140227		THRUST PLATE A						1	
28		40140246		NEEDLE_BAR_GUIDE						1	
29		SM6030600SP		SCREW						3	
30		40140321		FELT_SUPPORT						1	
31		40140322		FELT						1	
32		SM6030402TP		SCREW M3X0.5 L=4						1	
33		40140259		THREAD_GUIDE						1	
34		SM6030450TP		SCREW M3 L=4						1	
35		40140216		NEEDLE_BAR_FRAME_METAL						1	
36		40140217		NEEDLE BAR FRAME GUIDE						1	
37		SM6051002TP		SCREW M5X0.8 L=10						1	
38		WP0531001SD		WASHER						1	
39		40140237		FRAME_SHAFT_BRACKET_B						1	
40		SM6051202TP		SCREW						2	
41		40141959		FRAME_SHAFT_BRACKET						1	
42		SM6051202TP		SCREW M5X0.8 L=12						1	
43		SM6051000SP		SCREW						1	
44		40140241		NEEDLE_BAR_FRAME_SHAFT						1	
45		SM8050412TP		SCREW M5 L=4						2	
46		40140239		CHANGE_LEVER						1	

NEEDLE BAR COMPONENTS

No.	Supply Code	Parts No.	Replacement	Parts name	Remarks	Choice	Step	Level	Cons	Qty	Rep. QTY
47		40140240		STOPPER						1	
48		SL6051092TN		SCREW M5 L=10						2	
49		40140242		CYLINDER_A_BRACKET_1						1	
50		SM6040802TP		SCREW M4X0.7 L=8						2	
51		40140243		CYLINDER_A_BRACKET_2						1	
52		SM6040602TP		SCREW M4X0.7 L=6						2	
53		40140249		CRANK_BASE						1	
54		SM6051002TP		SCREW M5X0.8 L=10						2	
55		40140248		CRANK_PIN_BASE_B						1	
56		SM6051200TP		SCREW						3	
57		40140251		CRANK_PIN						1	
58		40140252		SQUARE_BLOCK						1	
59		40140257		SUPPORT_BLOCK						1	
60		SM6040802TP		SCREW M4X0.7 L=8						2	
61		40140250		CRANK_PIN_BRACKET						1	
62		SM8050412TP		SCREW M5 L=4						1	
63		B1223771000		NEEDLE ROD CRANK WASHER						1	
64		SM8061612TP		SCREW M6X16						2	
65		NM6060001SC		NUT M6X1 TYPE1						2	
66		40140253		CRANK_PIN_LINK						1	
67		40140256		CRANK_PIN						1	
68		40140255		CRANK						1	
69		40140254		LINK_PIN						2	
70		40140258		CYLINDER_B_BRACKET						1	
71		SM6040600SP		SCREW M4 L=6						2	
72		B1425526000		SCREW 1/8-44 L=6						2	
73		SS6060410TP		SCREW 3/32-56 L=3.5					☆	2	
74		MDP170B1800		NEEDLE DPX17 #18					☆	2	
75		40140204		CYLINDER_COVER						1	
76		SM6040802TP		SCREW M4X0.7 L=8						2	
77		PA1001016A0		AIR CYLINDER (10-10ST)						1	
78		PA900034000		2 CROWN KNUCKLE JOINT						1	
79		PJ304040504		UNION						2	
80		PA900033000		TRUNION PIN						1	
81		RC0470611KP		C-RING 5 (4.7)						2	
82		SM8040412TP		SCREW M4X4						2	
83		PA1601017A0		AIR CYLINDER						1	
84		PX500020000		KNUCKLE JOINT						1	
85		PJ304040504		UNION						2	
86		PA900078000		TRUNION PIN						1	
87		RC0560711KP		C-RING 6 (5.6)						2	
88		CQ303000000		OIL WICK						.02	
89		40042716		THREAD_PRESSER_PLATE						1	
90		40141946		THREAD_GUIDE						1	
91		B1132521000		THREAD PRESSER PLATE SPRING						1	
92		SD0380556TL		SHOULDER SCREW D=3.8 H=5.5						1	

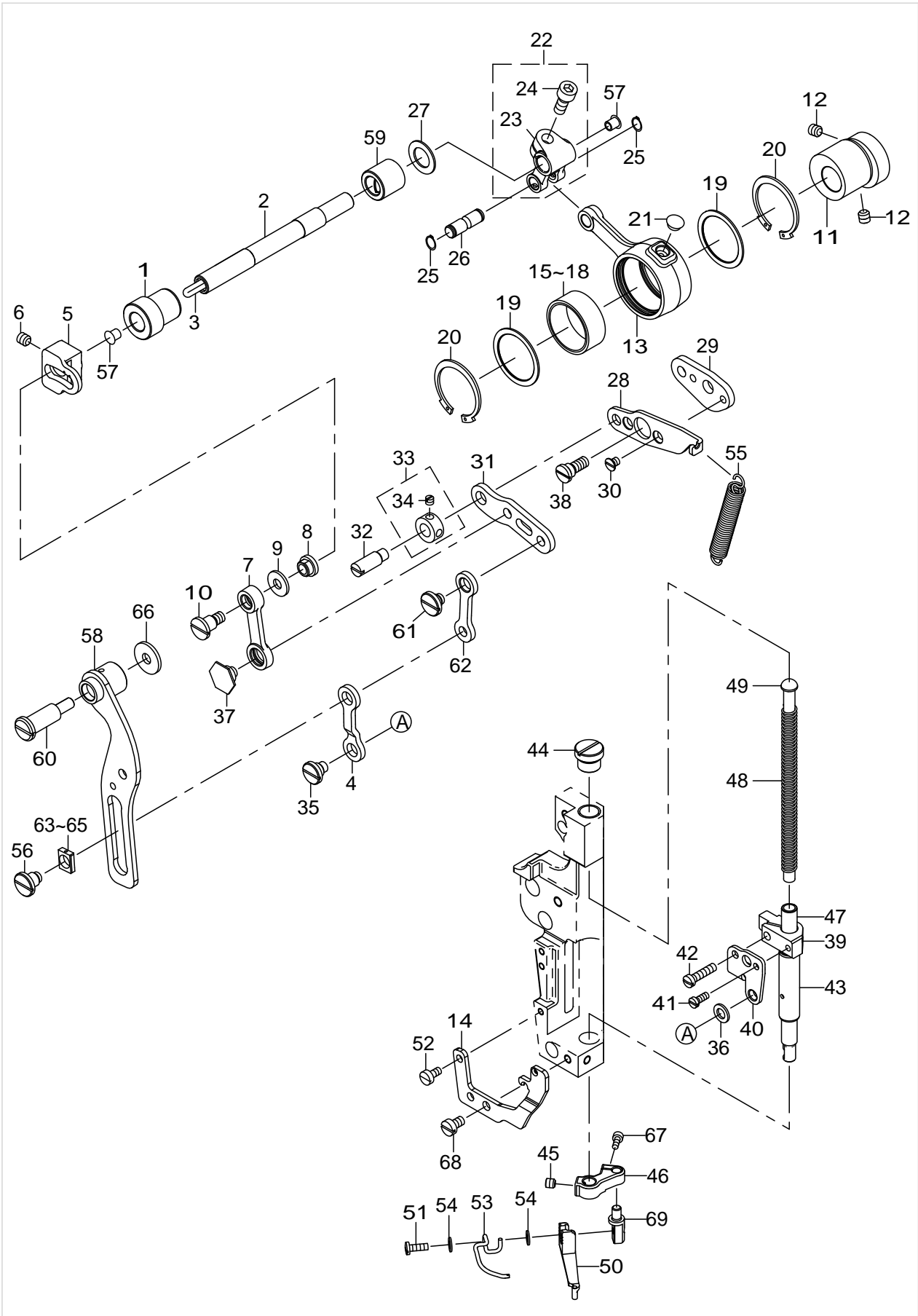
NEEDLE BAR COMPONENTS



NEEDLE BAR COMPONENTS

No.	Supply Code	Parts No.	Replacement	Parts name	Remarks	Choice	Step	Level	Cons	Qty	Rep. QTY
93		SM6030600SP		SCREW						1	
94		40140289		THREAD CLAMP B						1	
95		40140309		TREAD_CLAMP_FIXED_PLATE_A						1	
96		40140310		TREAD_CLAMP_FIXED_PLATE_B						1	
97		SM6030600SP		SCREW M3X0.5 L=6						2	
98		40141947		FELT_THREAD_GUIDE	OPTIONAL PARTS					1	
99		B1131528000		FELT	OPTIONAL PARTS				☆	1	

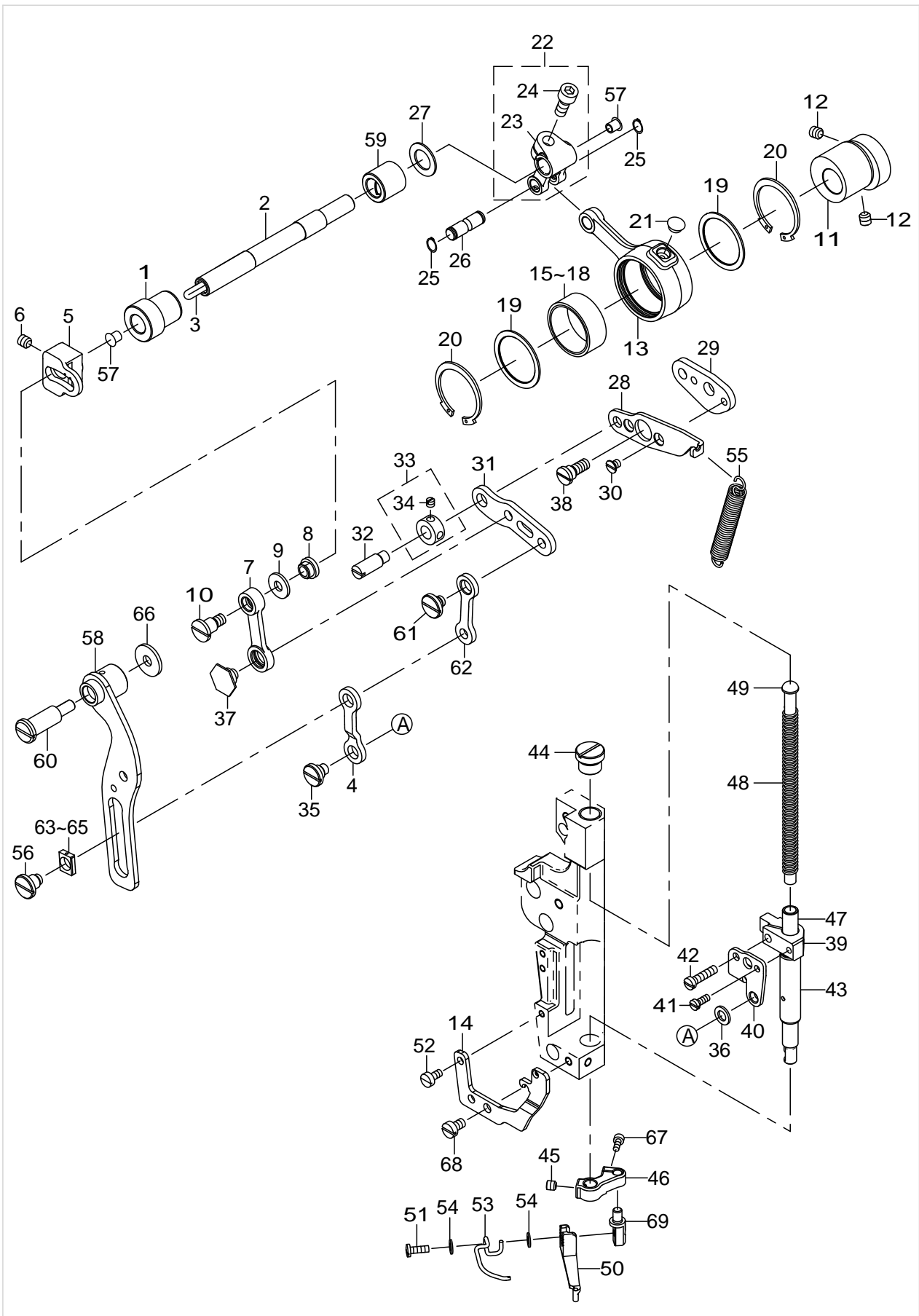
PRESSER MECHANISM & PRESSER VARIABLE COMPONENTS (1)



PRESSER MECHANISM & PRESSER VARIABLE COMPONENTS (1)

No.	Supply Code	Parts No.	Replacement	Parts name	Remarks	Choice	Step	Level	Cons	Qty	Rep. QTY
1		40140208		BUSHING						1	
2		40140263		INTERMEDIATE_PRESSER_SHAFT						1	
3		CQ303000000		OIL WICK						.1	
4		40030617		INTERMEDIATE_PRESSER_LINK_D						1	
5		40025012		ADJUSTING_ARM						1	
6		SM8060812TP		SCREW M6 L=8						1	
7		40068835		INTERMEDIATE_PRESSURE_LINK						1	
8		40025415		ADJUSTING_NUT						1	
9		WP0611626SP		WASHER 15X6X1.6						1	
10		SD0800746TP		SHOULDER SCREW						1	
11		40025428		ECCENTRIC_CAM						1	
12		SM8060812TP		SCREW M6 L=8						2	
13		40025011		CRANK_CONNECTING_ROD						1	
14		40140274		SPRING_HOOK						1	
15		B1636581A00		NEEDLE BEARING A	SELECTIVE PARTS					1	
16		B1636581B00		NEEDLE BEARING B	SELECTIVE PARTS					1	
17		B1636581C00		NEEDLE BEARING	SELECTIVE PARTS					1	
18		B1636581D00		NEEDLE BEARING	SELECTIVE PARTS					1	
19		40012965		BEARING_SUPPORT_PLATE						2	
20		RC3781518KP		RETAINING RING						2	
21		TA0750404R0		PLUG D=7.5 L=3.5						1	
22		13122452		FEED BRANCH CRANK ASM.						1	
23		13122403		FEED BRANCH CRANK				*		1	
24		SM6061402TP		SCREW M6 L=14				*		1	
25		RC0650811KP		RETAINING RING						2	
26		40025429		ROD_CONNECTING_SHAFT						1	
27		WP1221016SP		WASHER						1	
28		40068834		POSITIONING_LINK						1	
29		40024988		POSITIONING_LINK_B						1	
30		SS1110640TP		SCREW 11/64-40 L= 5.5						2	
31		40030620		INTERMEDIATE_PRESSER_LINK_B						1	
32		B1408180000		HINGE SCREW						1	
33		CS079073ASH		THRUST COLLAR ASM.						1	
34		SS8110410TP		SCREW 11/64-40 L=3.5				*		2	
35		SD0800386TP		SHOULDER SCREW D=8 H=3.75						1	
36		40029419		LINK_CONNECTING_PLATE_WASHER						1	
37		SD1000506TP		SHOULDER SCREW D=10 H=4.95						1	
38		SD0800408TP		SHOULDER SCREW						1	
39		40140275		PRESSER_BAR_GUIDE_BRACKET						1	
40		40024991		LINK_CONNECTING_PLATE						1	
41		SS6090910SP		SCREW 9/64-40 L=9						1	
42		SS7111810TP		SCREW 11/64-40 L=18						1	
43		40078133		PRESSER_BUSHING						1	
44		40140268		PRESSER_SCREW						1	
45		SM8050512TP		SCREW						1	
46		40140267		INTERMEDIATE_PRESSER_ARM						1	

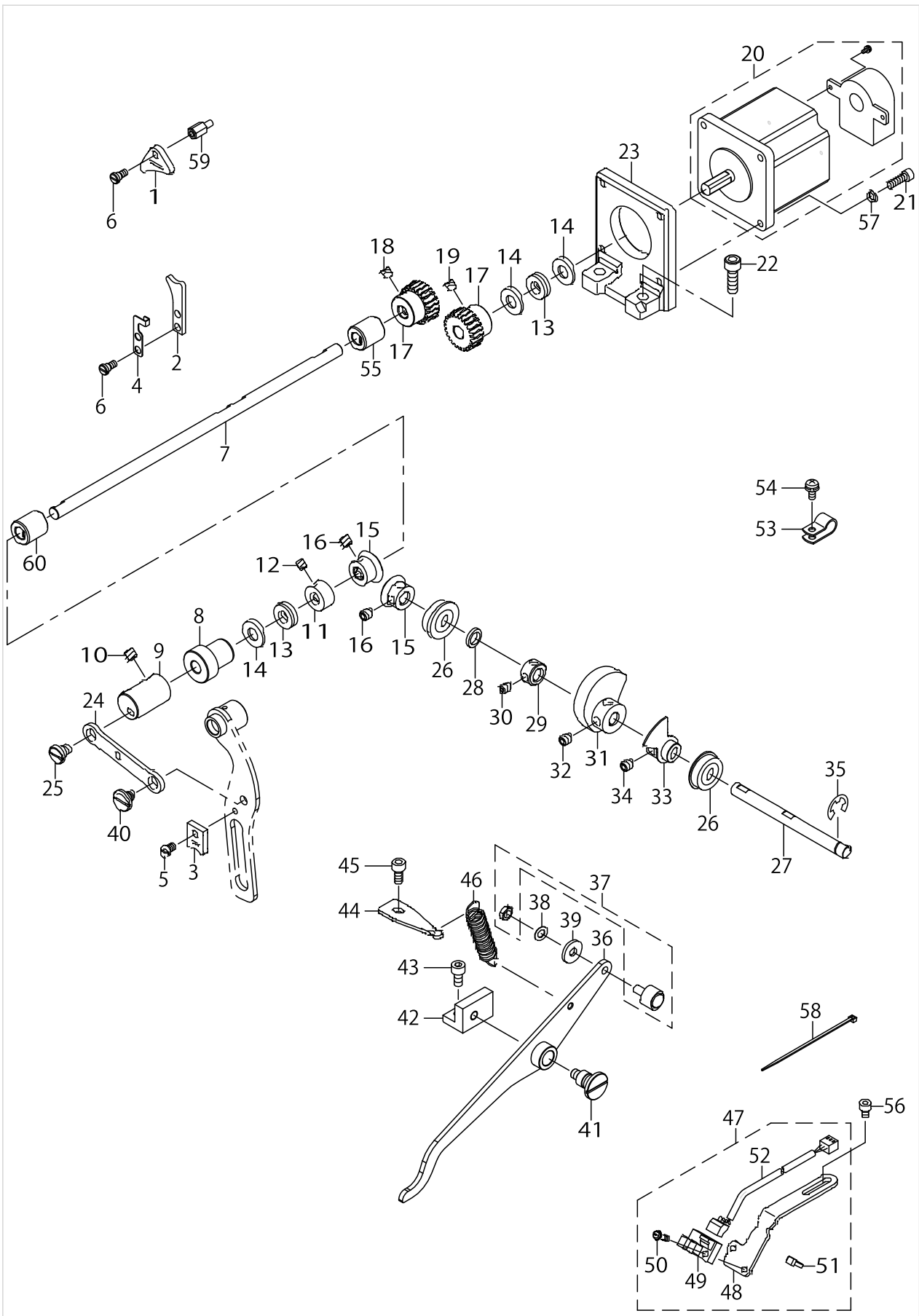
PRESSER MECHANISM & PRESSER VARIABLE COMPONENTS (1)



PRESSER MECHANISM & PRESSER VARIABLE COMPONENTS (1)

No.	Supply Code	Parts No.	Replacement	Parts name	Remarks	Choice	Step	Level	Cons	Qty	Rep. QTY
47		40140265		INTERMEDIATE_PRESSER_BAR						1	
48		B161121000A		INNER PRESSER SPRING						1	
49		40023631		PRESSER GUIDE BAR						1	
50		40140277		INNER_PRESSER_W					☆	1	
51		SM7751160TP		SCREW						1	
52		SM6040800SP		SCREW						1	
53		B1634210D00		FINGER GUARD						1	
54		WP0450846SP		WASHER						2	
55		40030621		INTERMEDIATE_PRESSER_SPRING_B						1	
56		SD0800656TP		SHOULDER SCREW						1	
57		TA0550604R0		RUBBER PLUG						2	
58		40140205		PRESSURE_VARIABLE_PLATE_ASM.						1	
59		40025431		BUSHING						1	
60		SD1002206TP		SHOULDER SCREW						1	
61		SD0800336TP		SHOULDER SCREW						1	
62		40030616		INTERMEDIATE_PRESSER_LINK_C						1	
63		40030628		SLIDE_BLOCK_A	SELECTIVE PARTS					1	
64		40030629		SLIDE_BLOCK_B	SELECTIVE PARTS					1	
65		40030630		SLIDE_BLOCK_C	SELECTIVE PARTS					1	
66		40068832		WASHER						1	
67		SM6030802TP		SCREW M3X0.5 L=8						1	
68		SM6050800SP		SCREW						1	
69		40140266		INTERMEDIATE_PRESSER_PIN						1	

PRESSER MECHANISM & PRESSER VARIABLE COMPONENTS (2)



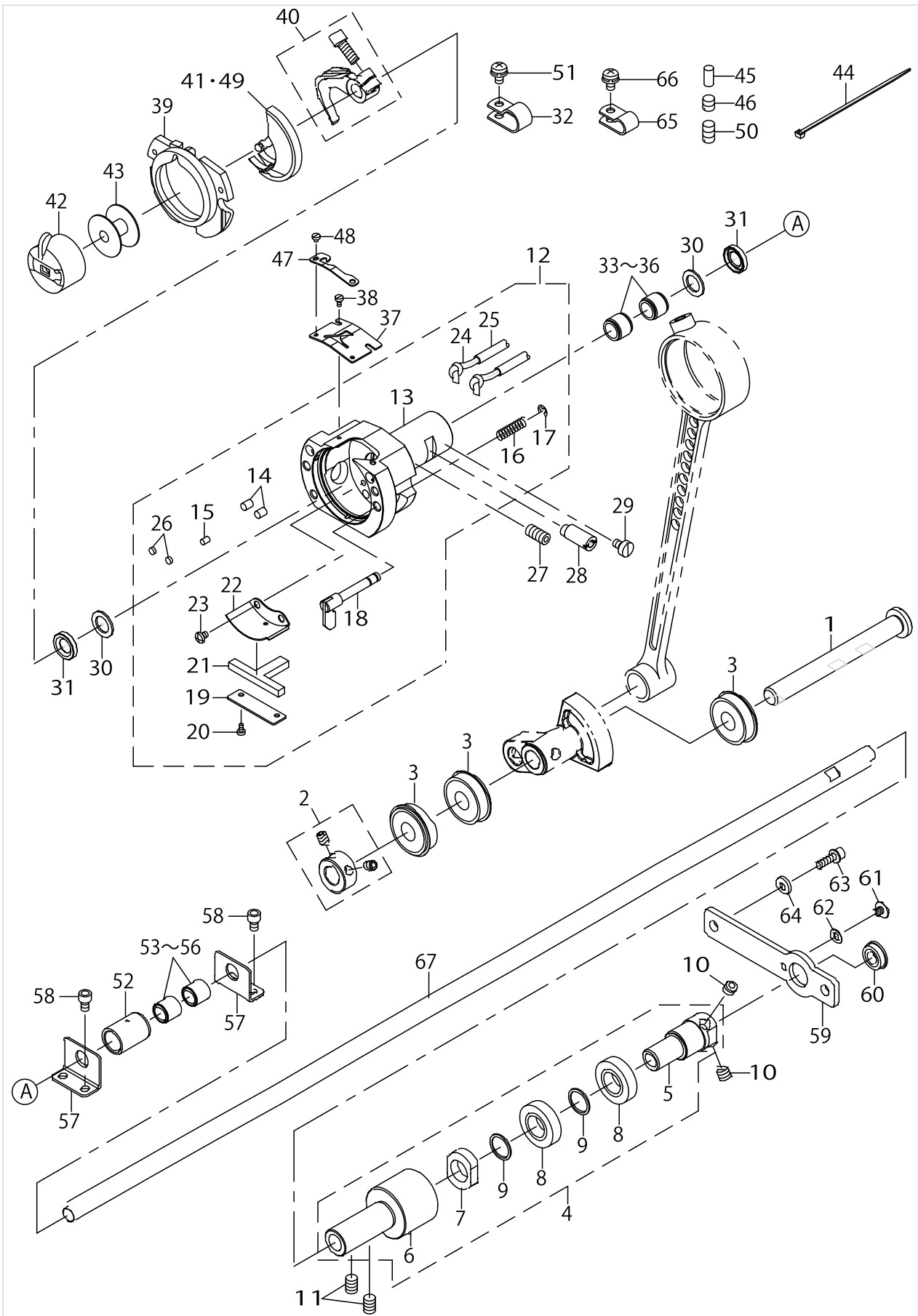
PRESSER MECHANISM & PRESSER VARIABLE COMPONENTS (2)

No.	Supply Code	Parts No.	Replacement	Parts name	Remarks	Choice	Step	Level	Cons	Qty	Rep. QTY
1		40030625		FACE_FELT_A						1	
2		40030626		FACE_FELT_B						1	
3		40030627		FACE_FELT_C						1	
4		40026817		FACE_FELT_B_SUPPORT						1	
5		40029420		FELT_SCREW_C						1	
6		40032483		FELT_SCREW_AB						3	
7		40140262		PRESSER_VARIABLE_SHAFT						1	
8		40140210		BUSHING_B						1	
9		40026819		PRESSER_VARIABLE_ARM						1	
10		SM8480652TP		SCREW						2	
11		CS0800881TP		THRUST COLLAR						1	
12		SM8050412TP		SCREW M5 L=4						2	
13		SB408000100		BEARING						2	
14		WP0850002SP		WASHER 8.5X18X1.6						3	
15		40030615		PRESSER_LIFT_GEAR						2	
16		SM8060812TP		SCREW M6 L=8						4	
17		40032180		PRESSER_MOTOR_GEAR_A						2	
18		SM8060812TP		SCREW M6 L=8						2	
19		SM8060602TP		SCREW M6X6						2	
20		40102213		ENCODER MOTOR ASM.						1	
21		SM6041402TP		SCREW M4 L=14						4	
22		SM6061802TP		SCREW M6 L=18						2	
23		40032181		PRESSER_MOTOR_BRACKET						1	
24		40024989		PRESSER_VARIABLE_LINK						1	
25		SD0800337TP		SHOULDER SCREW						1	
26		SB108000500		RADIAL BEARING						2	
27		40025426		PRESSER_LIFT_SHAFT						1	
28		WZ0850302K0		WAVED WASHER 8.5X12.5X0.3						1	
29		CS0800881TP		THRUST COLLAR						1	
30		SM8050412TP		SCREW M5 L=4						2	
31		40025016		LIFTING_CAM						1	
32		SM8060812TP		SCREW M6 L=8						2	
33		40025418		SENSOR_SLIT_ASM.						1	
34		SM8060812TP		SCREW M6 L=8						2	
35		RE0700000K0		E-RING 7						1	
36		40140312		LIFTING_LINK_ASM.						1	
37		40027870		CAM FOLLOWER						1	
38		WP0520656SA		WASHER 5.2X9.5X0.6						1	
39		WP0522016SH		WASHER						1	
40		SD0800387TP		SHOULDER SCREW D=8 H=3.75						1	
41		40026113		HINGE_SCREW_A						1	
42		40140273		BLOCK						1	
43		SM6051002TP		SCREW M5X0.8 L=10						2	
44		40025420		LIFTER_LINK_SPRING_HOOK						1	
45		SM6050802TP		SCREW M5X0.8 L=8						1	
46		40003970		TENSION RELEASE RETURN						1	

PRESSER MECHANISM & PRESSER VARIABLE COMPONENTS (2)

No.	Supply Code	Parts No.	Replacement	Parts name	Remarks	Choice	Step	Level	Cons	Qty	Rep. QTY
47		40073081		SENER_INSTALLING_BASEASM.						1	
48		40025419		SENSOR_INSTALLING.BASE				*		1	
49		HD00057000A		PHOTO SENSOR				*		1	
50		SL4031091SC		SCREW M3X10				*		1	
51		EA9500B0100		CABLE BAND				*		2	
52		40040240		IP SENSOR CABLE ASM.				*		1	
53		HX00150000D		CABLE CLIP						2	
54		SL4040891SC		SCREW M4 L=8						2	
55		40043321		BUSHING_C						1	
56		SM6040602TP		SCREW M4 L=6						2	
57		WP0450846SP		WASHER						4	
58		EA9500B0100		CABLE BAND						1	
59		D5124206K0K		SPACER						1	
60		40025423		BUSHING B						1	

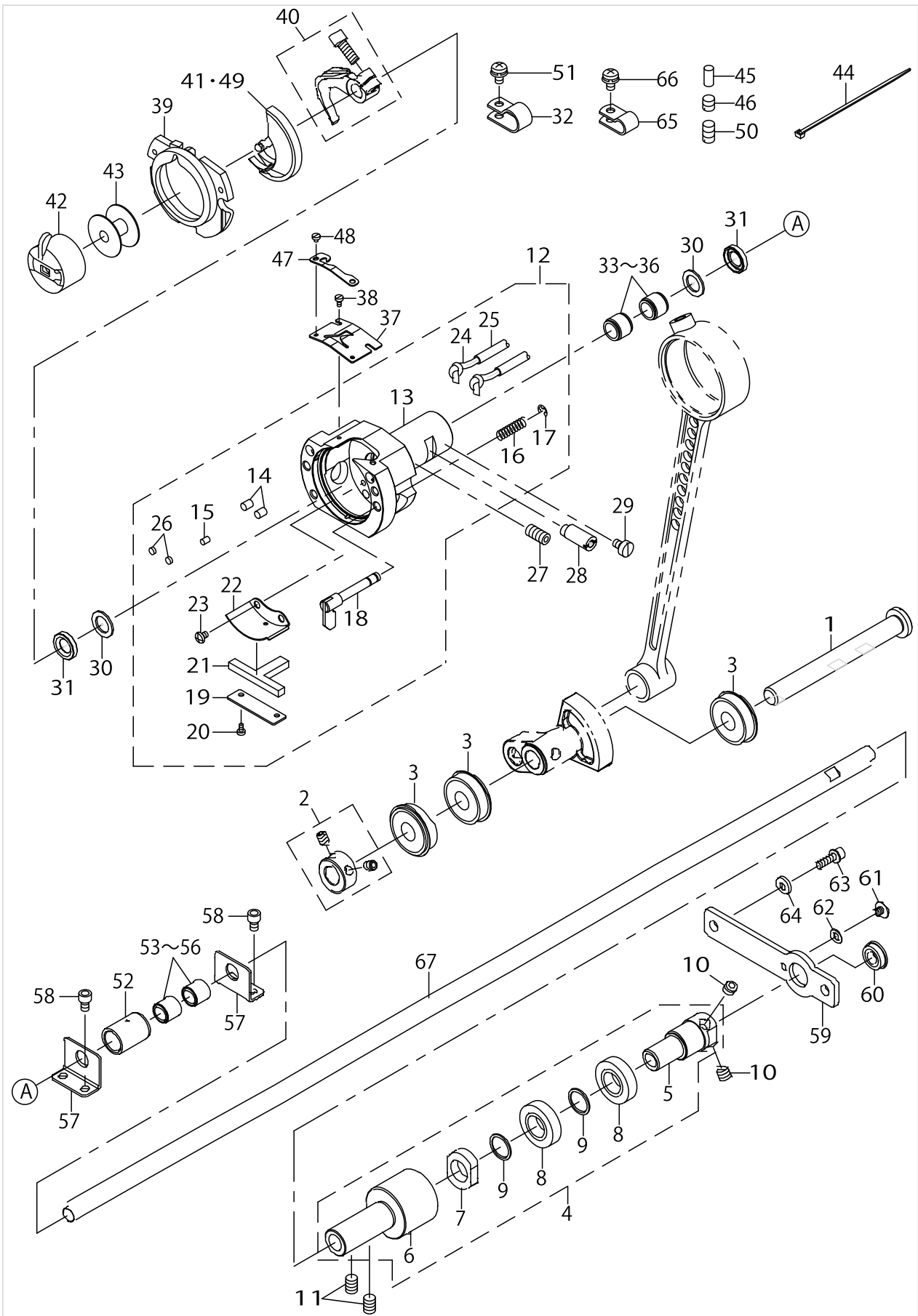
SHUTTLE DRIVER SHAFT COMPONENTS



SHUTTLE DRIVER SHAFT COMPONENTS

No.	Supply Code	Parts No.	Replacement	Parts name	Remarks	Choice	Step	Level	Cons	Qty	Rep. QTY
1		40043869		OSCILLATOR_SHAFT						1	
2		40010464		THRUST_COLLAR_ASM.						1	
3		SB110002400		BEARING						3	
4		40072009		LOWEW_SHAFT_GEAR_ASM.						1	
5	R	40006567	40016077	LOWER_SHAFT_GEAR				*		1	1.00
6	R	40006569	40016077	LOWER_SHAFT_REAR_METAL				*		1	1.00
7		40024063		NUT				*		1	
8		SB112001700		BEARING				*		2	
9		40006317		LOWER SHAFT GEAR RING				*		2	
10		SM8060812TP		SCREW M6 L=8						2	
11		SM8060812TP		SCREW M6 L=8						2	
12		40034846		SHUTTLE_ASM.						1	
13		40089365		SHUTTLE				*		1	
14		B1820210D00		SHUTTLE OIL FELT A				*	☆	2	
15		B1821210D00		SHUTTLE OIL FELT B				*	☆	1	
16		B1822215P00		INNER HOOK PRESSER SPRING				*		2	
17		RE0300000K0		E-RING 3				*		2	
18		26501858		INNER-HOOK-PRESSER COMPL.				*		2	
19		14104004		ONCE THROUGH OIL FELT PRESSER				*		1	
20		SM6020460TP		SCREW				*		2	
21		14103907		SHUTTLE ONCE TH-ROUGH OIL FELT				*		1	
22		40006577		SHUTTLE_LUBRICATING_PLATE				*		1	
23		SM4030455SP		SCREW				*		2	
24		CQ200000000		OIL WICK				*		5.7	
25		23630007		TUBE				*		2.22	
26		13529607		SHUTTLE PACKING				*		2	
27		SM8061212TP		SCREW M6X12						1	
28		40010471		SHUTTLE_RACE_AD-JUSTING_SHAFT						1	
29		SM6040650TP		SCREW						1	
30		40010472		SHUTTLE_BEARING_RING						2	
31		40006576		SHUTTLE_OIL_SEAL						2	
32		HX00150000D		CABLE CLIP						1	
33		SB30800100A		BEARING	SELECTIVE PARTS					2	
34		SB30800100B		BEARING	SELECTIVE PARTS					2	
35		SB30800100C		BEARING	SELECTIVE PARTS					2	
36		SB30800100D		BEARING	SELECTIVE PARTS					2	
37		40036117		SHUTTLE UPPER SPRING						1	
38		SM6020460TP		SCREW						2	
39		14103352		INNER HOOK PRESSER ASM. B						1	
40		40014963		SHUTTLE DRIVER ASM.						1	
41		40061991		SHUTTLE(H)					☆	1	
42		B1828210DAA		BOBBIN CASE ASM.					☆	1	
43		B1806210D00		BOBBIN					☆	1	
44		EA9500B0100		CABLE BAND						2	
45		40006578		OIL_WICK_PRESSER						1	

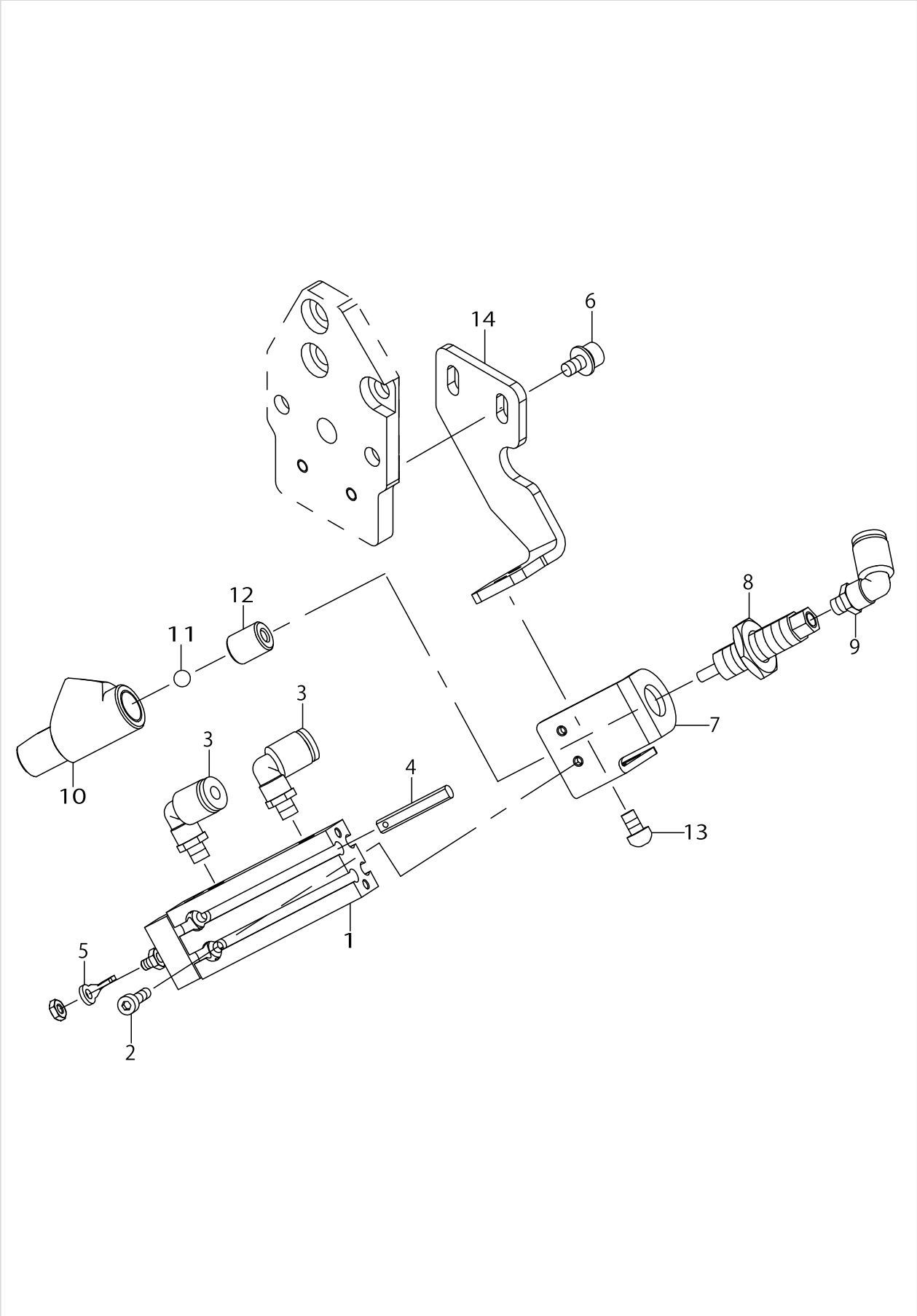
SHUTTLE DRIVER SHAFT COMPONENTS



SHUTTLE DRIVER SHAFT COMPONENTS

No.	Supply Code	Parts No.	Replacement	Parts name	Remarks	Choice	Step	Level	Cons	Qty	Rep. QTY
46		SM8060610TP		SCREW						1	
47		40036118		LOWER THREAD HOLDER					☆	1	
48		SM6020250TP		SCREW						2	
49		40014965		SHUTTLE(H)	OPTIONAL PARTS				☆	1	
50		SM8061050TP		SCREW						1	
51		SL4040891SC		SCREW M4 L=8						1	
52		B1847221D00		LOWER SHAFT MIDDLE METAL						1	
53		B1411804A00		BEARING (A)	SELECTIVE PARTS					2	
54		B1411804B00		NEEDLE DRIVING L- EVER BEARING B	SELECTIVE PARTS					2	
55		B1411804C00		NEEDLE DRIVING L- EVER BEARING C	SELECTIVE PARTS					2	
56		B1411804D00		BEARING (D)	SELECTIVE PARTS					2	
57		40032185		LOWER_SHAFT_NEEDLE_SUPPORT						2	
58		SM6040602TP		SCREW M4 L=6						4	
59		40032184		LOWER_SHAFT_REA- R_BEARING_BRACKET						1	
60		SB108000200		SIDE BEARING						1	
61		SM6040460TP		SCREW						1	
62		WP0450801SD		WASHER 4.5X10X0.8						1	
63		SL6041692TN		SCREW						2	
64		WP0482086SD		WASHER 4.8X11.5X2						2	
65		HX00150000B		CABLE CLIP						2	
66		SL4040891SC		SCREW M4 L=8						2	
67		40032182		LOWER_SHAFT						1	

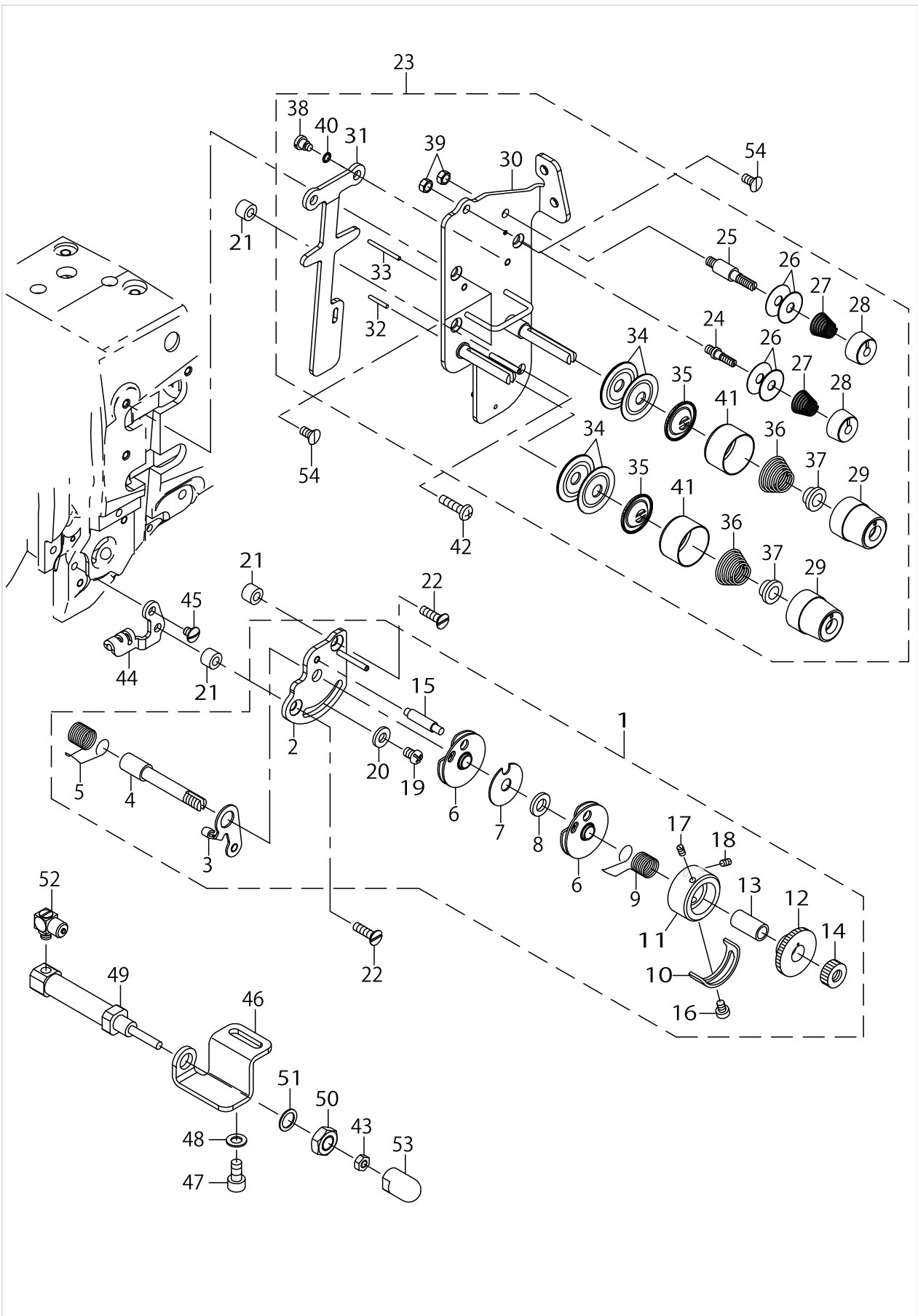
WIPER MECHANISM COMPONENTS



WIPER MECHANISM COMPONENTS

No.	Supply Code	Parts No.	Replacement	Parts name	Remarks	Choice	Step	Level	Cons	Qty	Rep. QTY
1		PA0602501A0		FREE MOUNT CYLINDER						1	
2		SM6031202TN		SCREW M3X12						2	
3		PJ304040504		UNION						2	
4		40140989		WIPER SENSOR ASM.						1	
5		40140279		WIPER						1	
6		SL6040892TN		SCREW M4 L=8						2	
7		40140283		CLAMP_BASE_B						1	
8		11429008		CLAMP CYLINDER						1	
9		PJ304040504		UNION						1	
10		11429305		CLAMP HEAD						1	
11		11428505		CLAMP BALL						1	
12		11427705		HEAD BUSH						1	
13		SM3040652TN		SCREW M4 L=6						2	
14		40140281		CLAMP_BASE_A						1	

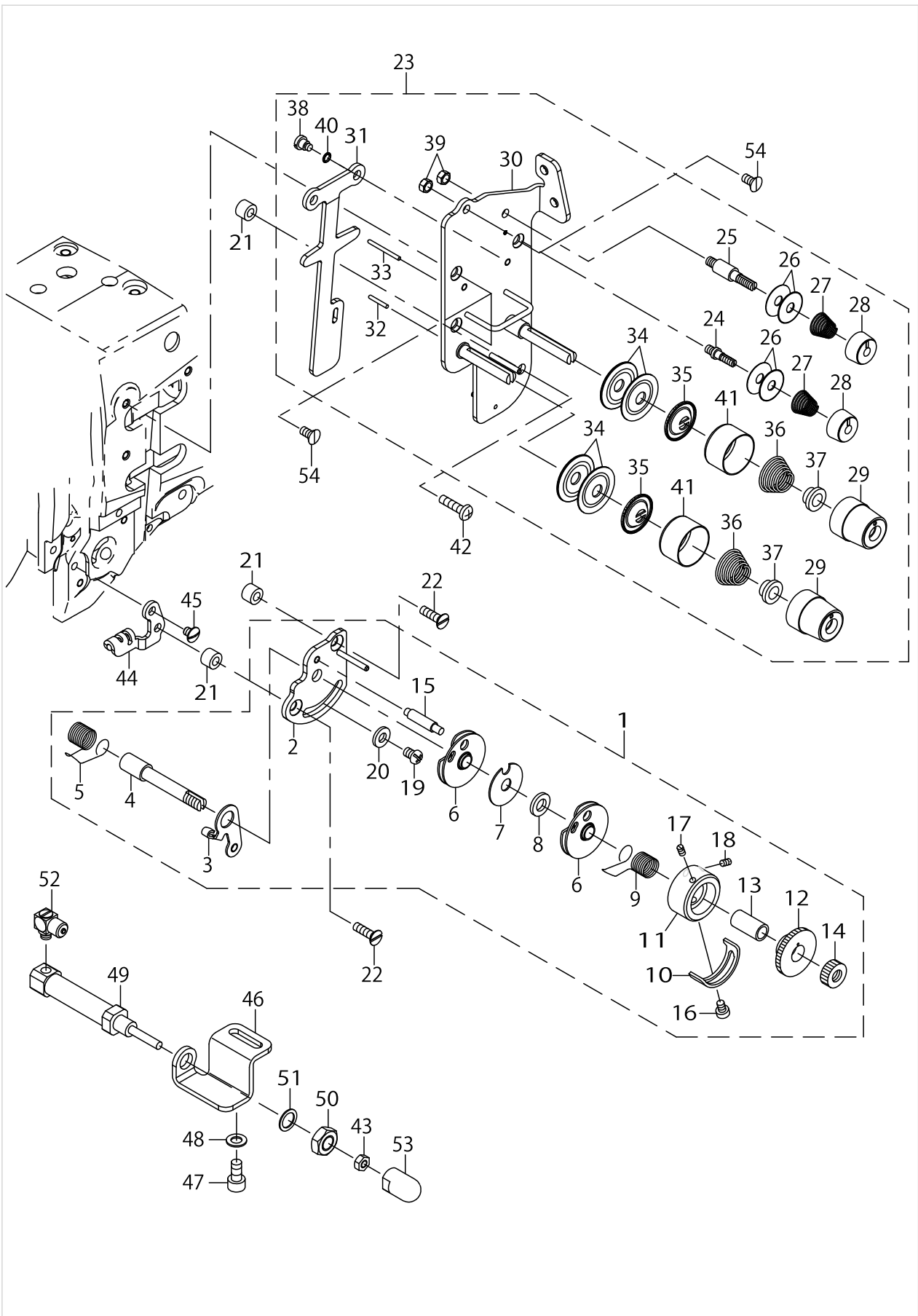
TENSION RELEASE & THREAD TENSION COMPONENTS



TENSION RELEASE & THREAD TENSION COMPONENTS

No.	Supply Code	Parts No.	Replacement	Parts name	Remarks	Choice	Step	Level	Cons	Qty	Rep. QTY
1		40140293		THREAD_TENSION_ASM_A						1	
2		40140305		ASSY_TT_BASEPLATE_A				*		1	
3		40140286		TT_BRACKET				*		1	
4		10697605		THREAD TAKE-UP SPRING STUD				*		1	
5		22618706		THREAD TAKE-UP SPRING A				*	☆	1	
6		B31375270A0		TAKE-UP SPRING GUIDE ASM.				*		2	
7		B3142527000		TAKE-UP SPRING GUIDE PLATE				*		1	
8		B3139527000		COLLAR				*		1	
9		22618805		THREAD TAKE-UP SPRING B				*	☆	1	
10		B3138527000		ADJUSTING PLATE B				*		1	
11		22617609		THREAD TENSION POST				*		1	
12		22617708		TAKE-UP SPRING GUIDE				*		1	
13		B3141527000		PRESSER COLLAR				*		1	
14	R	22617807	22928808	NUT				*		1	1.00
15		B3143527000		TAKE-UP SPRING GUIDE STUD				*		1	
16		SS7090510SP		SCREW 9/64-40 L=4.6				*		1	
17	R	22618904	SM8030500SP	SET SCREW				*		1	1.00
18	R	22618904	SM8030500SP	SET SCREW				*		1	1.00
19		SS4110615SP		SCREW 11/64-40 L=6				*		1	
20		WP0501016SD		WASHER 5X10.5X1				*		1	
21		40140288		THREAD_GUIDE_COLLER						3	
22		SM1041400SP		SCREW						2	
23		40140295		TREAD_TENSION_ASM. B						1	
24		10124204		THREAD TENSION POST				*		1	
25		10124303		THREAD TENSION POST				*		1	
26		10741106		FIRST THREAD TENSION PLATE				*		4	
27		11045101		THREAD TENSION SPRING				*		2	
28		11072402		THREAD TENSION NUT				*		2	
29		11957008		THREAD TENSION KNOB				*		2	
30		40140317		ASSY_TT_BASEPLATE_B				*		1	
31		40140294		DISK_RELEASE_PLATE				*		1	
32		22618201		TENSION RELEASE PIN				*		1	
33		22618300		TENSION RELEASE PIN				*		1	
34	R	B3126012000	22921506	THREAD TENSION DISK				*		4	1.00
35		22617906		THREAD TENSION DISK PRESSER				*		2	
36		B3114232000		THREAD TENSION SPRING				*		2	
37		B3112704000		TENSION SPRING BUSHING				*		2	
38		SD0470316TP		SHOULDER SCREW D=4.7 H=3.1				*		2	
39		NS6110310SP		HEXAGONAL NUT 11/64-40				*		2	
40		RO036080200		O-RING				*		2	
41		B3107804000		THREAD TENSION DISK PRESSER				*		2	
42		SM4041655SP		SCREW M4 L=16						1	
43		NM6040001SP		NUT M4X0.7 TYPE1						1	
44		40140290		THREAD CLAMP A						1	
45		SM5040550TP		SCREW M4 L=5						1	
46		40140296		TT_AIR_CYLINDER_BASE_PLATE						1	

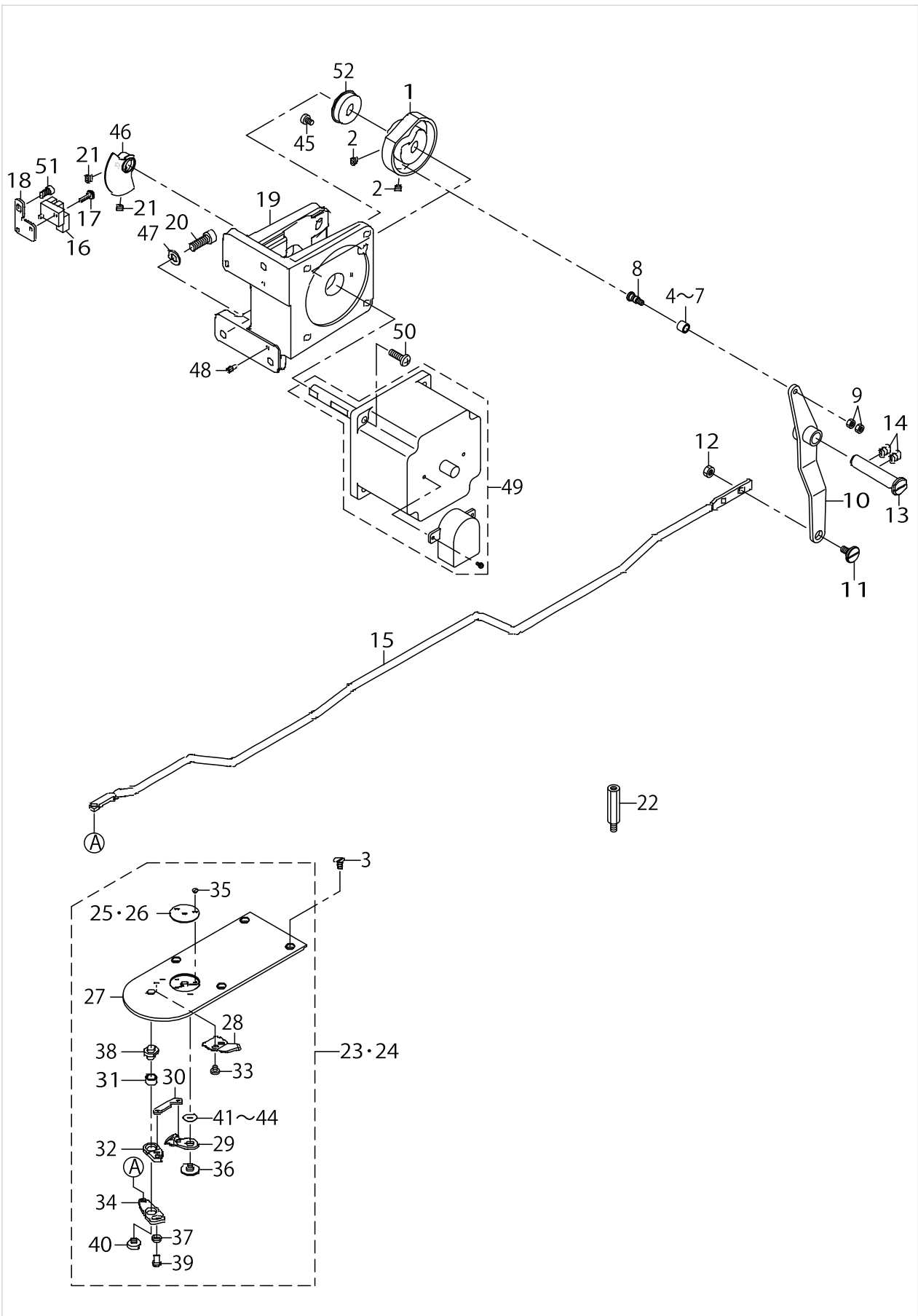
TENSION RELEASE & THREAD TENSION COMPONENTS



TENSION RELEASE & THREAD TENSION COMPONENTS

No.	Supply Code	Parts No.	Replacement	Parts name	Remarks	Choice	Step	Level	Cons	Qty	Rep. QTY
47		SM6051002TP		SCREW M5X0.8 L=10						2	
48		WP0550800SP		WASHER 5.5X10X0.8						2	
49		PA100102000		AIR CYLINDER						1	
50		NM6080003SC		NUT M8X1.25 TYPE3						1	
51		WP0820516SP		WASHER 11.6X8.2X0.6						1	
52		PJ046052503		HOSE ELBOW						1	
53		40140297		TT_AC_CAP						1	
54		SM1040870TP		SCREW						3	

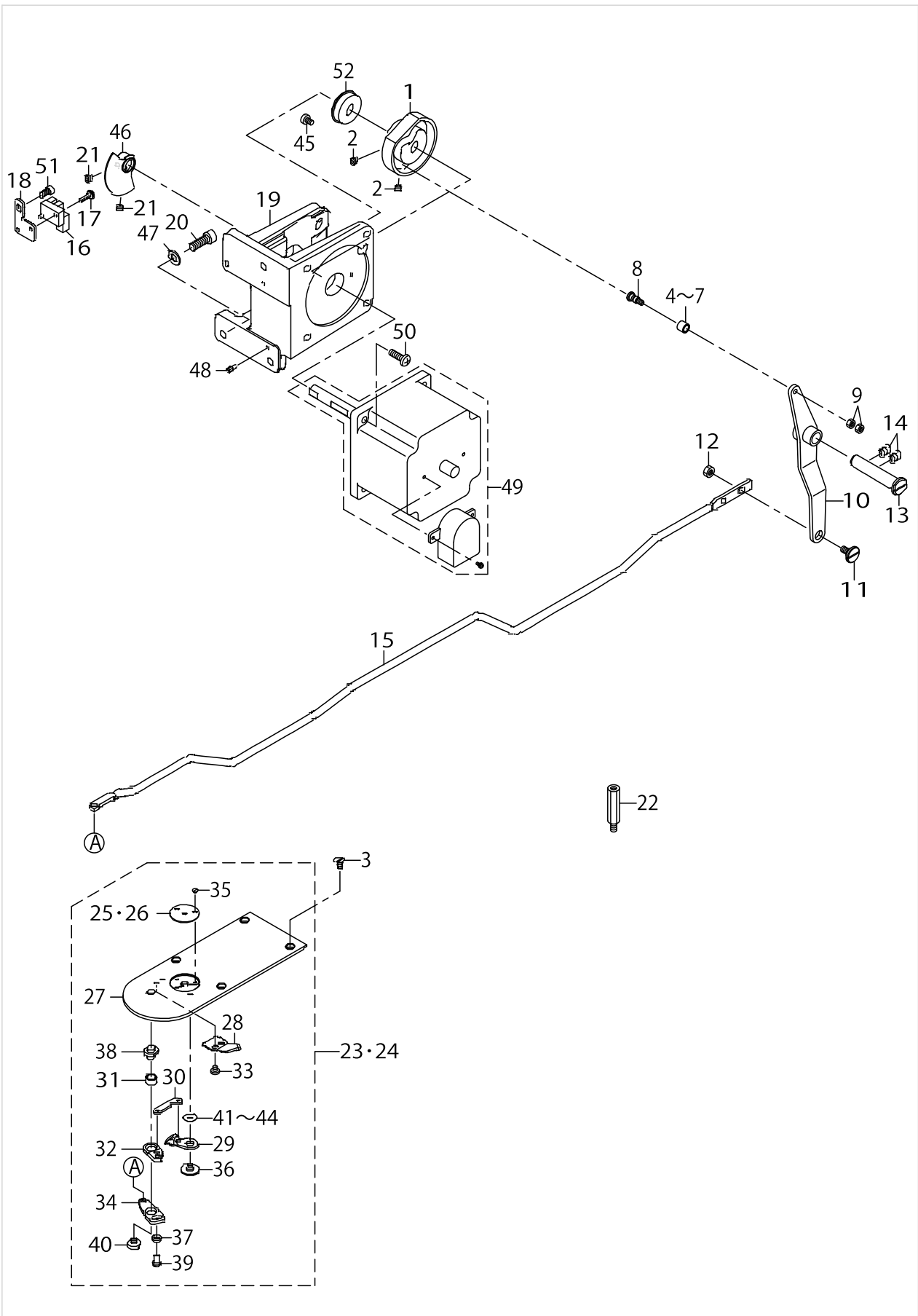
THREAD TRIMMER MECHANISM COMPONENTS



THREAD TRIMMER MECHANISM COMPONENTS

No.	Supply Code	Parts No.	Replacement	Parts name	Remarks	Choice	Step	Level	Cons	Qty	Rep. QTY
1		40030936		THREAD_TRIMMER_CAM						1	
2		SM8050592TP		SCREW						2	
3		SM1040650TP		SCREW						4	
4		23517501		NEEDLE CAM ROLLER A	SELECTIVE PARTS					1	
5		23517600		NEEDLE CAM ROLLER B	SELECTIVE PARTS					1	
6		23517709		NEEDLE CAM ROLLER C	SELECTIVE PARTS					1	
7		23517808		NEEDLE CAM ROLLER D	SELECTIVE PARTS					1	
8		40040256		ROLLER_SHAFT						1	
9		NM6040001SP		NUT M4X0.7						2	
10		40072228		THREAD_TRIMMER_LINK_ASM.						1	
11		SD0800327TP		SHOULDER SCREW						1	
12		NM6050001SP		NUT M5						1	
13		40023624		THREAD_TRIMMER_SHAFT						1	
14		SM8060812TP		SCREW M6 L=8						2	
15		40032186		THREAD_TRIMMER_CONNECTING_BAR						1	
16		HD00057000A		PHOTO SENSOR						1	
17		SL4031091SC		SCREW M3X10						1	
18		40010443		SENSOR_INSTALLING_BASE						1	
19		40072211		MOTOR_BASE						1	
20		SM6061802TP		SCREW M6 L=18						3	
21		SM8050592TP		SCREW						2	
22		HX00056000A		SPACER B						2	
23		40030933		NEEDLE_PLATE_H_ASM.						1	
24		40073085		NEEDLE_PLATE_H_2.4_ASM.	OPTIONAL PARTS					1	
25		B242621000B		NEEDLE HOLE GUIDE D=2.0				*	☆	1	
26		B242621000D		NEEDLE HOLE GUIDE D=2.4	OPTIONAL PARTS			*	☆	1	
27		40030934		NEEDLE_PLATE				*		1	
28		B2424210000		COUNTER KNIFE				*	☆	1	
29		B2421210AA0		MOVING KNIFE COMPL.				*	☆	1	
30		B2418280000		MOVING KNIFE LINK				*		1	
31		B2416280000		THREAD CUTTING LEVER RING				*		1	
32		B24152800A0		THREAD CUTTER LEVER ASM. SMALL				*		1	
33		SS7090410SP		SCREW 9/64-40 L=3.5				*		2	
34		B24142800A0		THREAD CUTTER LEVER ASM. LARGE				*		1	
35		SS1060210TP		SCREW 3/32-56 L=2.2				*		2	
36		B2417210000		MOVING KNIFE HINGE SCREW				*		1	
37		WP0450846SP		WASHER				*		1	
38		B2417280000		THREAD CUTTER LEVER SHAFT				*		1	
39		SS7110740TP		SCREW 11/64-40 L=7				*		1	
40		SS6110430TP		SCREW 11/64-40 L=4.0				*		1	
41		B242328000D		MOVING KNIFE WASHER D	SELECTIVE PARTS			*		1	
42		B242328000C		MOVING KNIFE WASHER C	SELECTIVE PARTS			*		1	
43		B242328000A		MOVING KNIFE WASHER A	SELECTIVE PARTS			*		1	
44		B242328000B		MOVING KNIFE WASHER B	SELECTIVE PARTS			*		1	
45		SM6040650TP		SCREW						1	

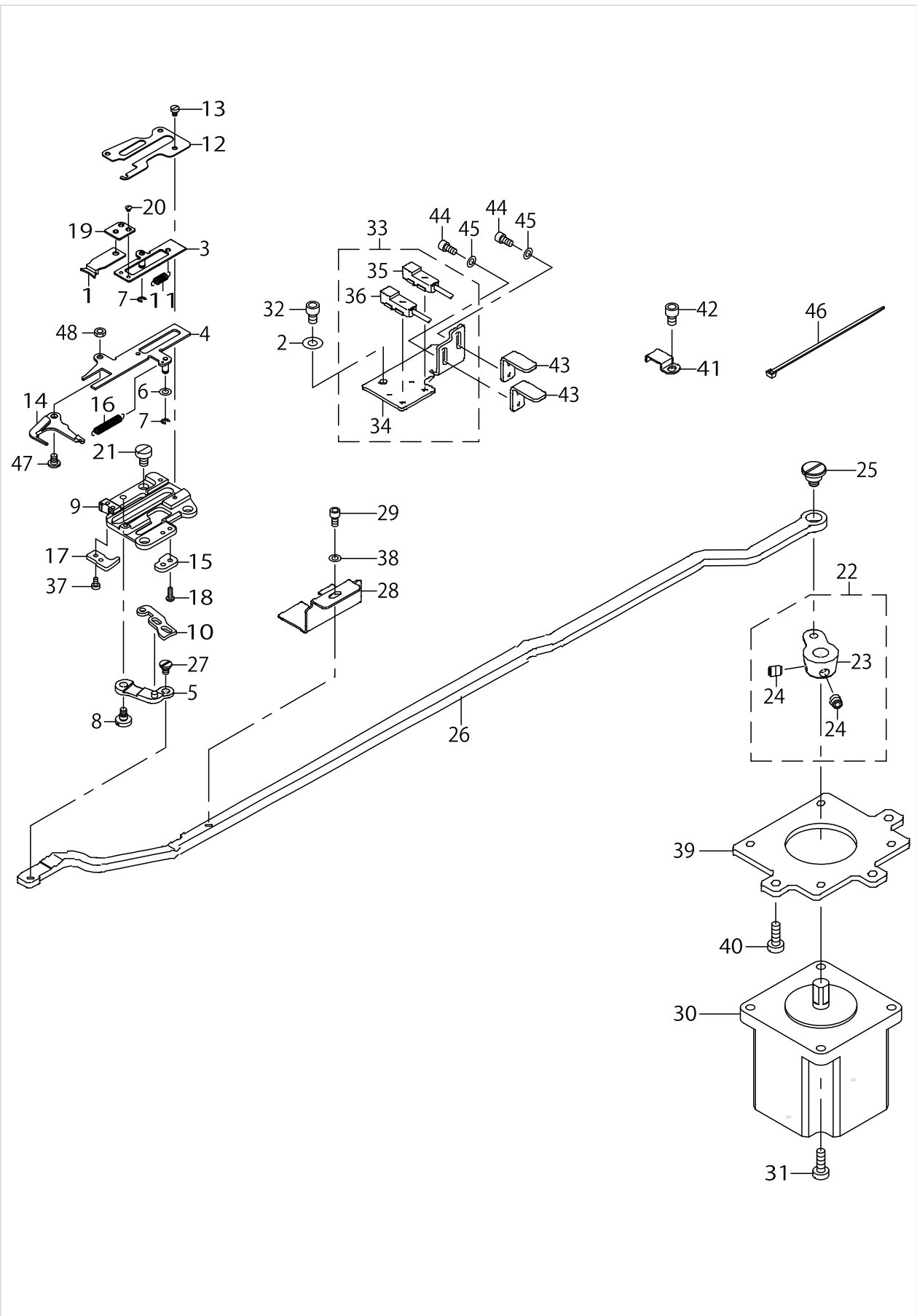
THREAD TRIMMER MECHANISM COMPONENTS



THREAD TRIMMER MECHANISM COMPONENTS

No.	Supply Code	Parts No.	Replacement	Parts name	Remarks	Choice	Step	Level	Cons	Qty	Rep. QTY
46		40006666		SENSOR_SLIT_ASM.						1	
47		WP0651001SC		WASHER						3	
48		B1816215P00		GUIDE PIN						2	
49		40103968		ENCODER MOTOR ASM.(TC)						1	
50		SM4051655SP		SCREW M5 L=16						4	
51		SM6040802TP		SCREW M4X0.7 L=8						1	
52		SB110002400		BEARING						1	

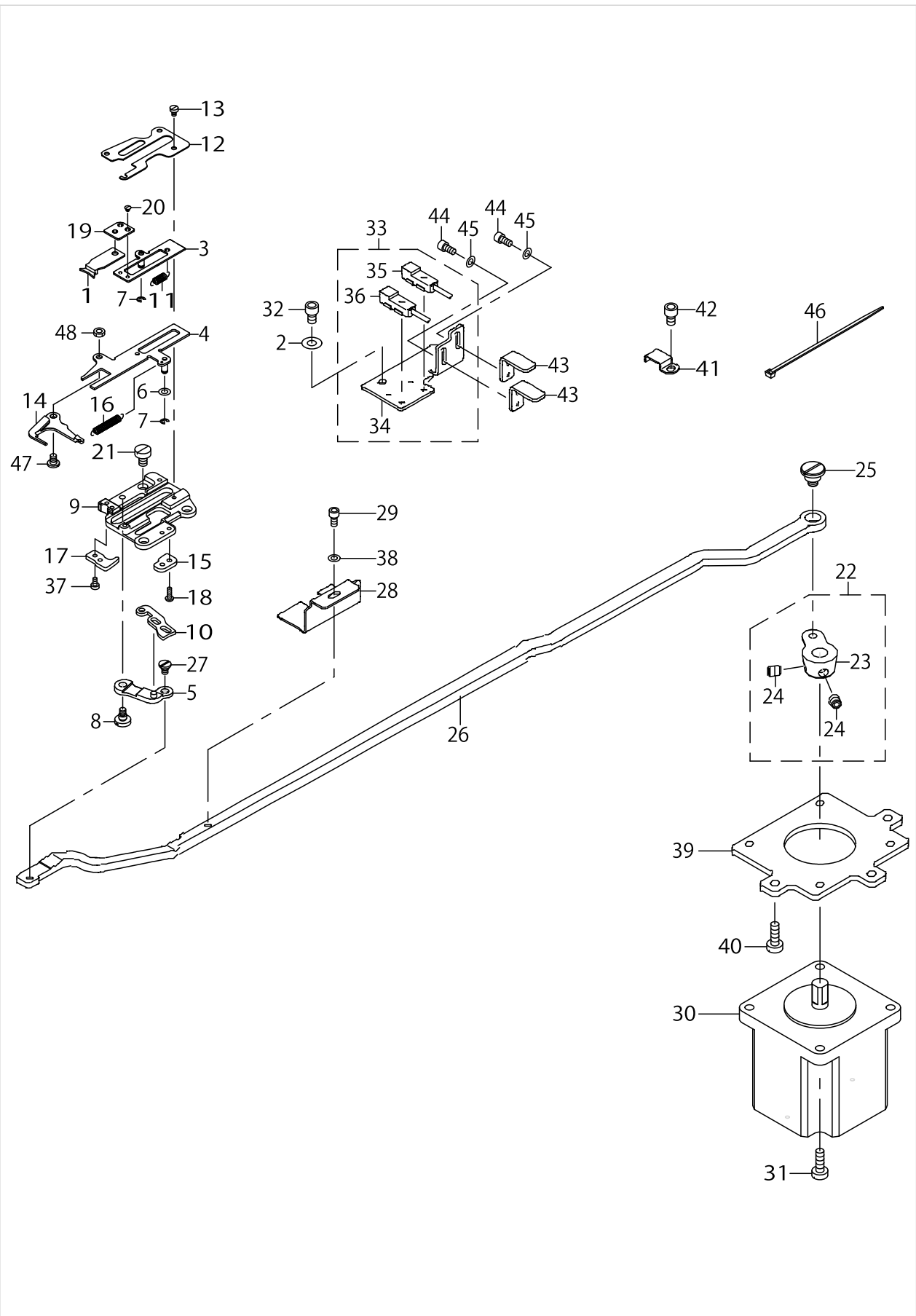
THREAD CLAMP COMPONENTS



THREAD CLAMP COMPONENTS

No.	Supply Code	Parts No.	Replacement	Parts name	Remarks	Choice	Step	Level	Cons	Qty	Rep. QTY
1		40006761		TC_CLAMP						1	
2		WP0450801SP		WASHER						1	
3		40076233		TC_CLAMP_PLATE_ASM.						1	
4		40076235		TC_SIPPORT_PLATE_ASM.						1	
5		40015800		TC_LINK_ASM.						1	
6		WP0320500SC		WASHER M3						2	
7		RE0200000K0		E-RING						2	
8		SD0400266TP		SHOULDER SCREW						1	
9		40076237		TC_BASE						1	
10		40010590		TC_CAM_PLATE						1	
11		40006780		TC_SPRING						1	
12		40076236		TC_BASE_COVER						1	
13		SM6020350SP		SCREW M2 L=2.5						4	
14	R	40076239	40155049	TC_OPEN_PLATE						1	1.00
15		40030943		TC_NOTCH_R_H						1	
16		40076232		TC_OPEN_SPRING						1	
17		40030942		TC_NOTCH_F_H						1	
18		SM4020600SP		SCREW M2 L=6						2	
19		40012815		TC_JOINT_ASM.						1	
20		SM2360110TP		SCREW						2	
21		SM6040650TP		SCREW						3	
22		40010527		TC_DRIVING_ARM_ASM.						1	
23	R	40010528	40010527	TC_DRIVING_ARM				*		1	1.00
24	R	40011152	40010527	TC_ARM_SCREW				*		2	1.00
25		SD0800407TP		SHOULDER SCREW						1	
26		40032187		TC_CONNECTING_LINK						1	
27		SD0350156TP		SHOULDER SCREW						1	
28		40035161		SENSOR_SLIT						1	
29		SM6030602TP		SCREW M3X0.5 L=6						1	
30		40085033		STEPPING MOTOR						1	
31		SM6041202TP		SCREW M4X0.7 L=12						4	
32		SM6040602TP		SCREW M4 L=6						1	
33		40040224		TH_SENSOR_ASM.						1	
34		40035160		SENSOR_BASE				*		1	
35	R	HD00204000A	HD00203000A	SENSOR				*		1	1.00
36	R	HD00204000B	HD00203000B	SENSOR				*		1	1.00
37		SM6020450TP		SCREW						2	
38		WP0320501SD		WASHER						1	
39		40033069		MOTOR_BASE						1	
40		SM6041202TP		SCREW M4X0.7 L=12						3	
41		B3509210000		OIL TUBE HOLDER C						2	
42		SM6040602TP		SCREW M4 L=6						2	
43		40040082		CONNECTING_LINK_SUPPORT						2	
44		SM6030602TP		SCREW M3X0.5 L=6						4	
45		WP0320501SD		WASHER						4	
46		EA9500B0100		CABLE BAND						2	

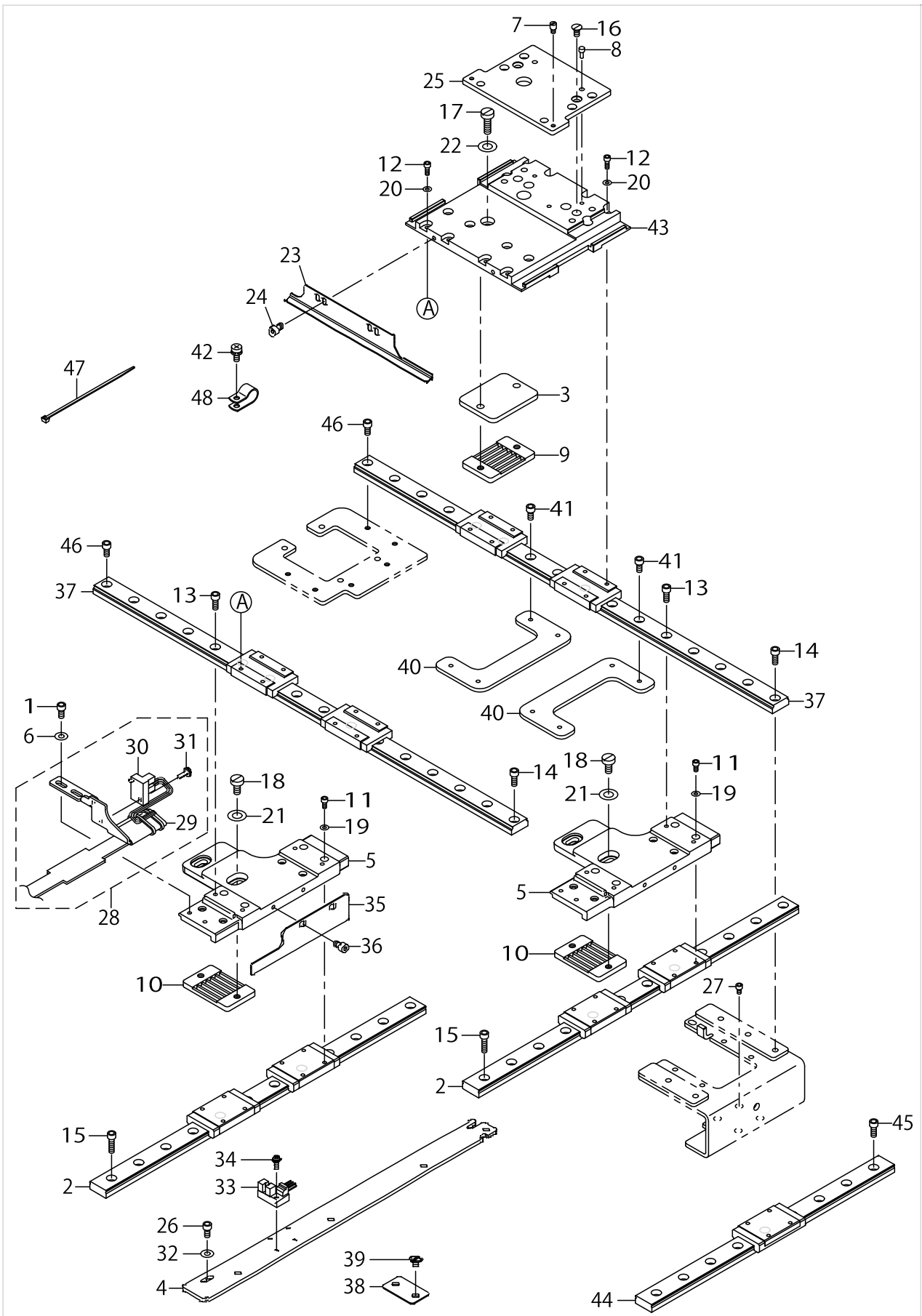
THREAD CLAMP COMPONENTS



THREAD CLAMP COMPONENTS

No.	Supply Code	Parts No.	Replacement	Parts name	Remarks	Choice	Step	Level	Cons	Qty	Rep. QTY
47		SD0350156TP		SHOULDER SCREW						1	
48		NM6030003SC		NUT M3						1	

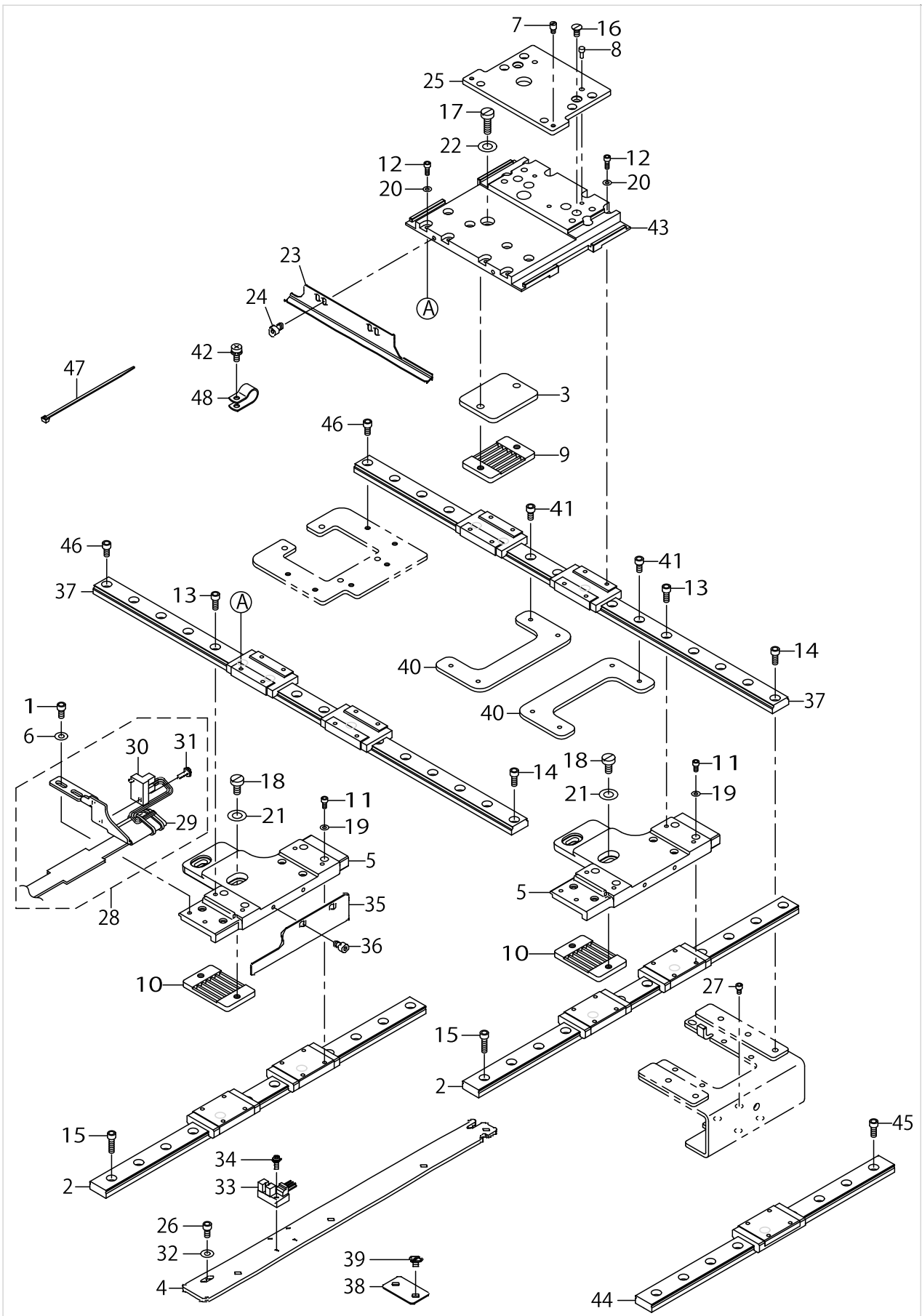
X-Y COMPONENTS (1)



X-Y COMPONENTS (1)

No.	Supply Code	Parts No.	Replacement	Parts name	Remarks	Choice	Step	Level	Cons	Qty	Rep. QTY
1		SM6040802TP		SCREW M4X0.7 L=8						2	
2		40089777		Y_LM_GUIDE						2	
3		40032205		X_BELT_PRESSER_FIX_PLATE						1	
4		40032239		Y_SENSOR_INSTALLING_PLATE						1	
5		40089779		Y_FEED_BASE						2	
6		WP0450801SD		WASHER 4.5X10X0.8						2	
7		B151902600G		HINGE STUD						2	
8		B1816280000		GUIDE PIN						2	
9		40032219		BELT_RECEIVER						1	
10		40032219		BELT_RECEIVER						2	
11		SM6030602TP		SCREW M3X0.5 L=6						16	
12		SM6030802TP		SCREW M3X0.5 L=8						16	
13		SM6041002TP		SCREW M4 L=10						8	
14		SM6041002TP		SCREW M4 L=10						5	
15		SM6041402TP		SCREW M4 L=14						8	
16		SM1040870TP		SCREW						2	
17		SM6051600SP		SCREW M5 L=16						2	
18		SM6051000SP		SCREW						4	
19		WP0320500SD		M3 WASHER						16	
20		WP0320501SD		WASHER						16	
21		WP0531000SD		WASHER M5						4	
22		WP0531000SD		WASHER M5						2	
23		40032238		X_SLIT_PLATE						1	
24		SM6040602TP		SCREW M4 L=6						2	
25		40032218		LOWER_PLATE_INSTALLING_PLATE						1	
26		SM6040802TP		SCREW M4X0.7 L=8						2	
27		SM6030502TP		BOLT M3X5						4	
28		40073082		X_SENSOR_INSTALLING_PLATE_ASM.						1	
29		40040222		X SENSOR CABLE ASM.				*		1	
30		HD000570000		SENSOR				*		1	
31		SL4031091SC		SCREW M3X10				*		1	
32		WP0450801SD		WASHER 4.5X10X0.8						2	
33		HD00057000A		PHOTO SENSOR						1	
34		SL4031091SC		SCREW M3X10						1	
35		40032240		Y_SLIT_PLATE						1	
36		SM6040602TP		SCREW M4 L=6						2	
37		40032209		X_LM_GUIDE						2	
38		B4022221D00		FLAT CABLE CLAMP						3	
39		SM6040650TP		SCREW						6	
40		40032223		X_LM_GUIDE_SUPPORT_PLATE						2	
41		SM6040802TP		SCREW M4X0.7 L=8						4	
42		SL4041091SC		SCREW M4 L=10						2	
43		40032200		X_FEED_BASE						1	
44		40089778		Y_SUPPORT_LM_GUIDE						1	
45		SM6041002TP		SCREW M4 L=10						7	
46		SM6040802TP		SCREW M4X0.7 L=8						4	

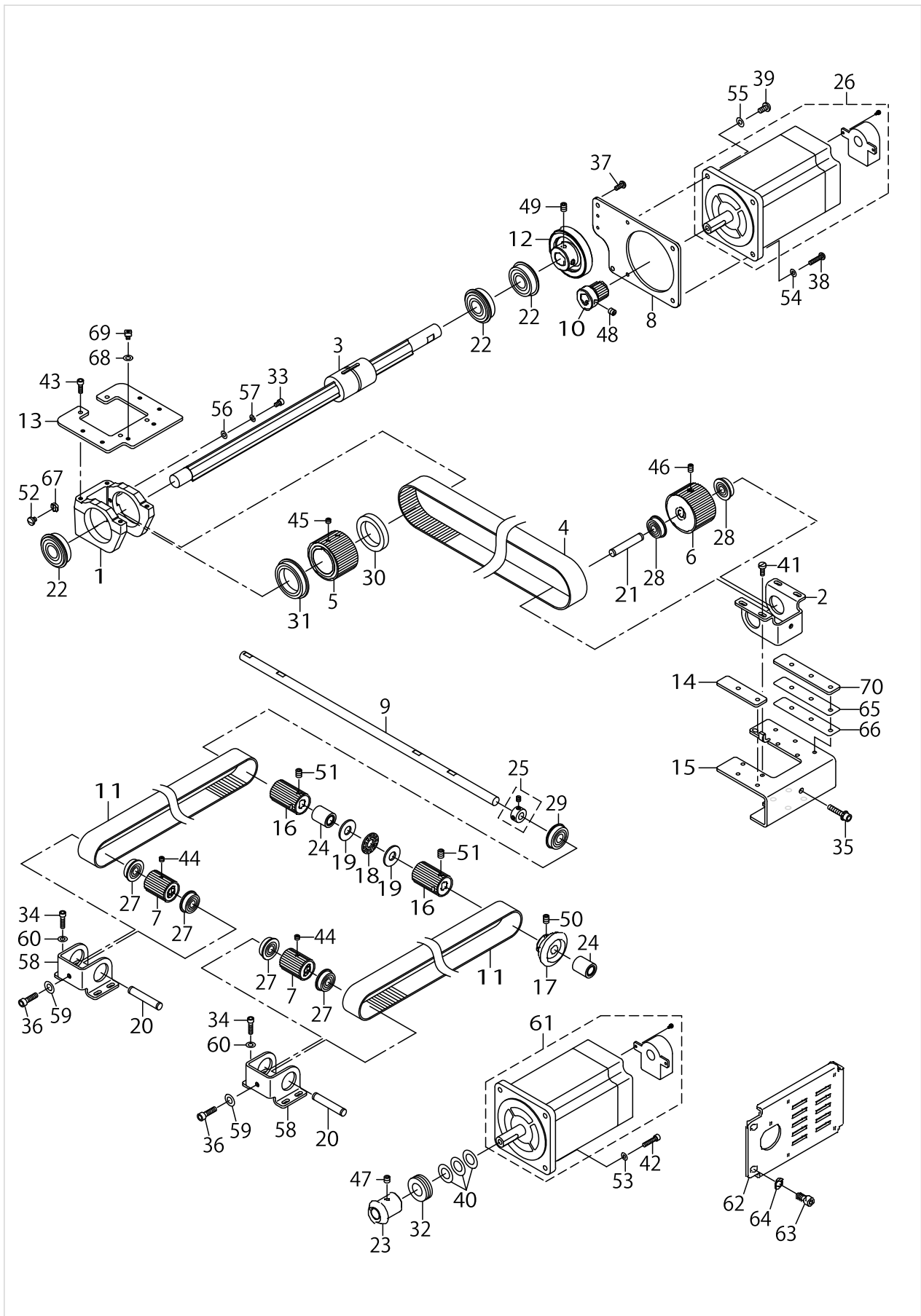
X-Y COMPONENTS (1)



X-Y COMPONENTS (1)

No.	Supply Code	Parts No.	Replacement	Parts name	Remarks	Choice	Step	Level	Cons	Qty	Rep. QTY
47		EA9500B0100		CABLE BAND						8	
48		HX00150000D		CABLE CLIP						2	

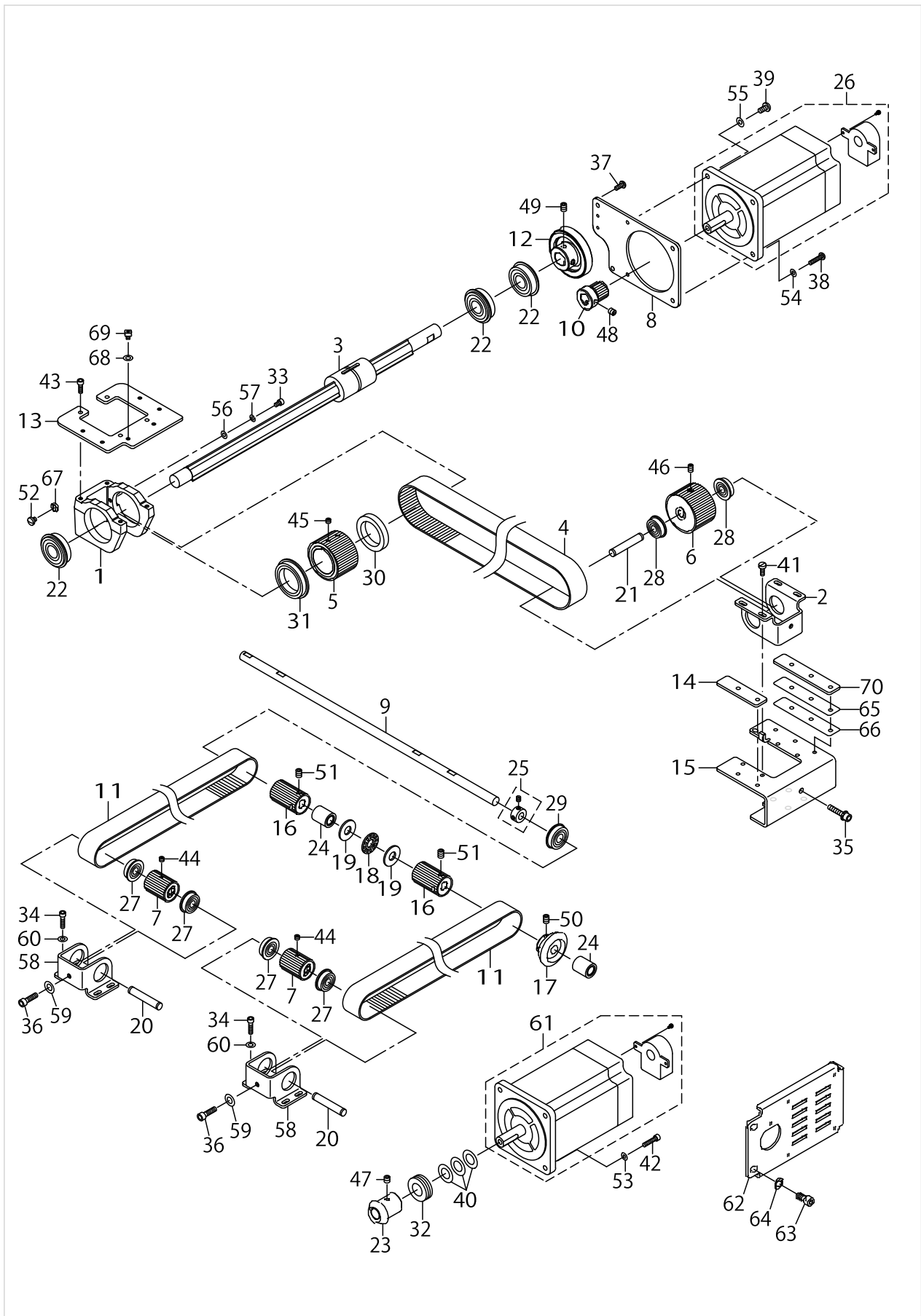
X-Y COMPONENTS (2)



X-Y COMPONENTS (2)

No.	Supply Code	Parts No.	Replacement	Parts name	Remarks	Choice	Step	Level	Cons	Qty	Rep. QTY
1		B2504221D00		X DRIVE BRACKET						1	
2		B2505221D00		DRIVEN BRACKET						1	
3		40032192		X_DRIVE_SPLINE_SHAFT						1	
4		40057368		X_TIMING_BELT						1	
5		40057370		X_DRIVE_SPROCKET						1	
6		40057371		X_DRIVEN_SPROCKET						1	
7		40032197		Y_DRIVEN_SPROCKET						2	
8		40078108		MOTOR_INSTALLING_PLATE						1	
9		40032203		Y_DRIVE_SHAFT						1	
10		B2525223C00		X DRIVE WHEEL						1	
11		40093291		Y_TIMING_BELT						2	
12		B2534223C00		X DRIVEN WHEEL						1	
13		40032210		X_DRIVE_BRACKET_BASE						1	
14		40121671		BRACKET_BASE_SPACER_A						2	
15		40121232		X_DRIVEN_BRACKET_BASE						1	
16		40032215		Y_DRIVE_SPROCKET						2	
17		40032216		Y_DRIVEN_GEAR						1	
18		11272408		THRUST COLLAR						1	
19		16992604		THRUST WASHER						2	
20		22687701		SPRING SHAFT						2	
21		22687701		SPRING SHAFT						1	
22		B1802180000		BUSHING FRONT						3	
23		40032221		Y_DRIVE_GEAR						1	
24		GAT23301000		BEARING A 10						2	
25		CS100081CSP		THRUST COLLAR ASM.						1	
26		40104419		ENCODER MOTOR ASM.(X-Y)						1	
27		SB108000500		RADIAL BEARING						4	
28		SB108000500		RADIAL BEARING						2	
29		SB110001300		BEARING						1	
30		SB130000200		BEARING						1	
31		SB130000300		BEARING						1	
32		SB412000100		BEARING						1	
33		SM6040602TP		SCREW M4 L=6						1	
34		SM6041602TP		SCREW M4X0.7 L=16						8	
35		SL6052592TN		BOLT						1	
36		SM6051802TP		SCREW M5 L=18						2	
37		SM4041055SP		SCREW						2	
38		SM4042055SP		SCREW						2	
39		SM4051255SP		SCREW M5 L=12						2	
40		B2537221D00		Y DRIVE WHEEL SPACER						3	
41		SM6041150TP		SCREW						4	
42		SM6041802TP		SCREW M4 L=18						4	
43		SM6041202TP		SCREW M4X0.7 L=12						4	
44		SM8050412TP		SCREW M5 L=4						2	
45		SM8050412TP		SCREW M5 L=4						2	
46		SM8050812TP		SCREW M5X8						1	

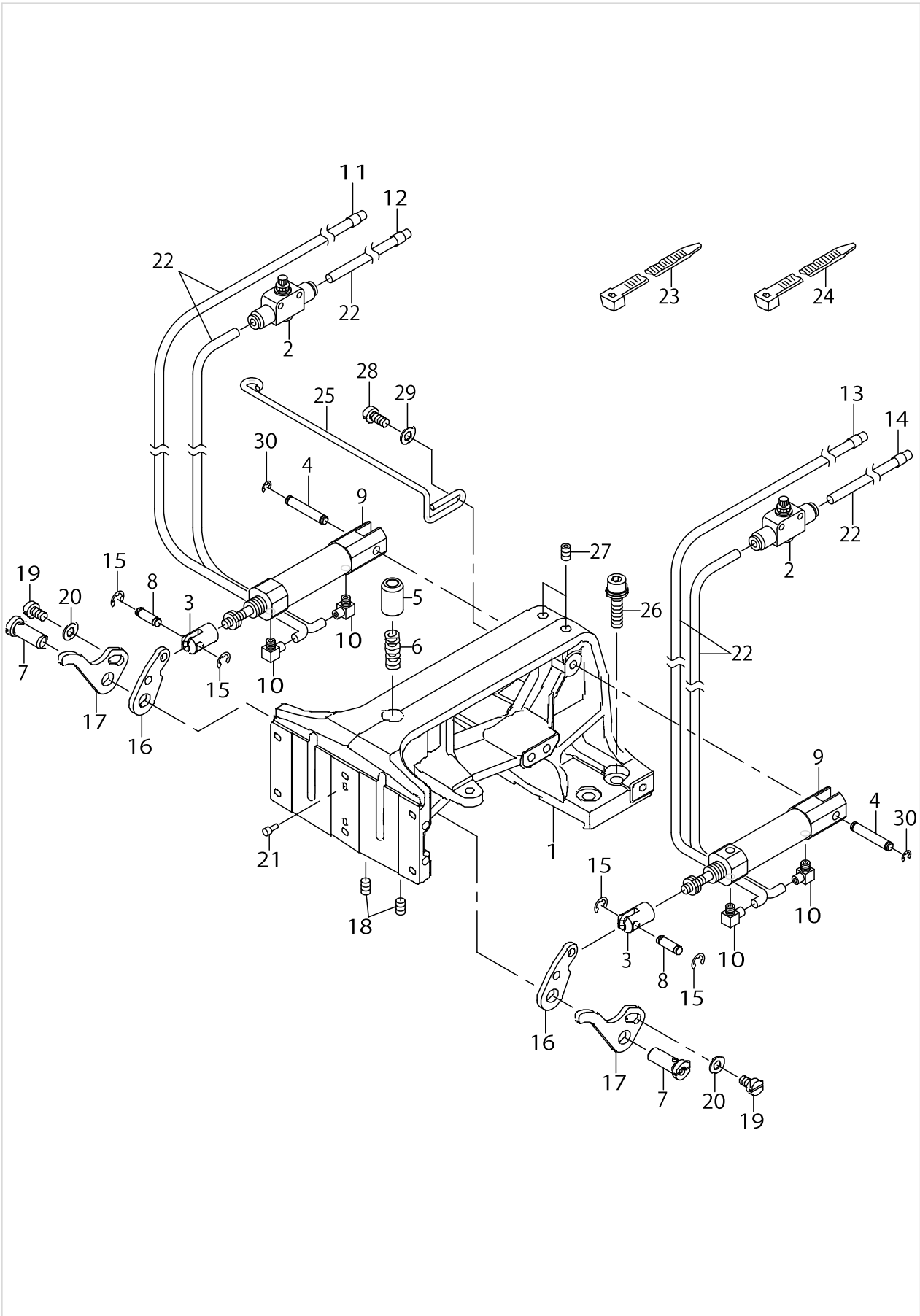
X-Y COMPONENTS (2)



X-Y COMPONENTS (2)

No.	Supply Code	Parts No.	Replacement	Parts name	Remarks	Choice	Step	Level	Cons	Qty	Rep. QTY
47		SM8060602TP		SCREW M6X6						2	
48		SM8060602TP		SCREW M6X6						2	
49		SM8060802TP		SCREW M6 L=8						2	
50		SM8060812TP		SCREW M6 L=8						2	
51		SM8060812TP		SCREW M6 L=8						4	
52		SM6050800SP		SCREW M5 L=8						1	
53		WP0482086SD		WASHER 4.8X11.5X2						4	
54		WP0482086SD		WASHER 4.8X11.5X2						2	
55		WP0501016SD		WASHER 5X10.5X1						2	
56		WP0430801SC		WASHER 4.3X9X0.8						1	
57		WS0410002KN		SPRING WASHER						1	
58		40032191		Y_DRIVEN_BRACKET						2	
59		WP0531001SC		WASHER						2	
60		WP0450000SD		WASHER 4.5X8X0.5						8	
61		40104419		ENCODER MOTOR ASM.(X-Y)						1	
62		40043096		FAN_INSTALLING_PLATE_A						1	
63		SM6061202TN		BOLT						2	
64		WP0651001SC		WASHER						2	
65		40121766		P=SPACER						2	
66		40121767		P=SPACER_0.1						4	
67		WP0531000SD		WASHER M5						1	
68		WP0450000SD		WASHER 4.5X8X0.5						1	
69		SM6040602TP		SCREW M4 L=6						1	
70		40121230		BRACKET_BASE_SPACER						1	

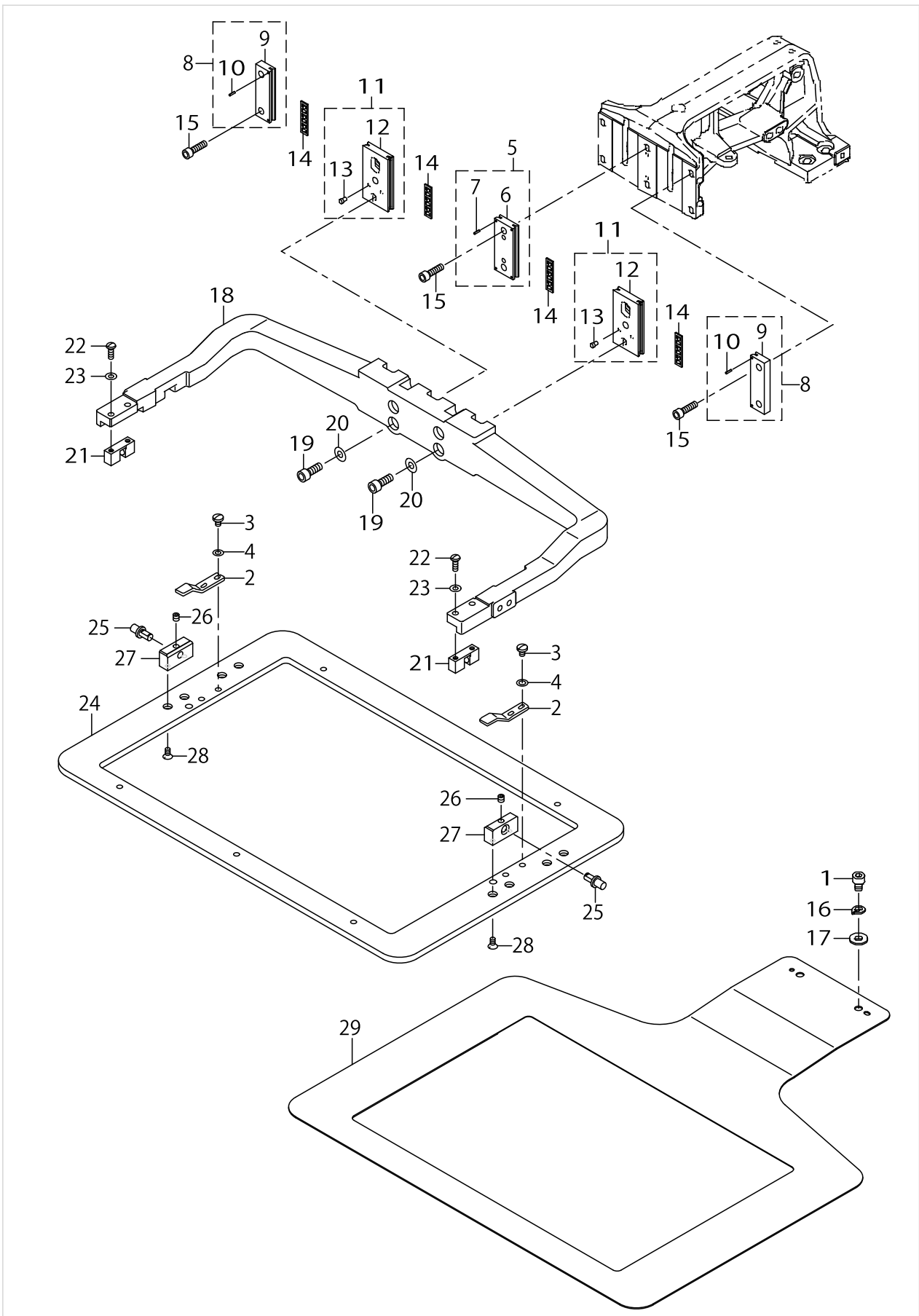
CLOTH FEED MECHANISM COMPONENTS (1)



CLOTH FEED MECHANISM COMPONENTS (1)

No.	Supply Code	Parts No.	Replacement	Parts name	Remarks	Choice	Step	Level	Cons	Qty	Rep. QTY
1		40044186		CLOTH_FEED_BASE_3020						1	
2		PC012401000		SPEED CONTROLLER						2	
3		40023644		CYLINDER KNUCKLE						2	
4		B1504210000		CONNECTING SHAFT						2	
5		26017707		NEEDLE BAR BUSHING LOWER						1	
6		B2576220000		SLIDER SPRING						1	
7		26023408		FEED STUD						2	
8		40023635		CYLINDER PIN						2	
9		PA1602509A0		AIR CYLINDER						2	
10		PJ046052503		HOSE ELBOW						4	
11		B471122000C		AIR TUBE LABEL J03 LEFT						1	
12		B471122000D		AIR TUBE LABEL J04 LEFT						1	
13		B471122000G		AIR TUBE LABEL J03 RIGHT						1	
14		B471122000H		AIR TUBE LABEL J04 RIGHT						1	
15		RE0300000K0		E-RING 3						4	
16		40032229		LIFTING_LEVER_A						2	
17		40032230		LIFTING_LEVER_B						2	
18		SM8050812TP		SCREW M5X8						2	
19		SM6050800SP		SCREW M5 L=8						2	
20		WP0531000SD		WASHER M5						2	
21		B1816280000		GUIDE PIN						2	
22		BT0400251EB		URETHANE HOSE BLACK						6.34	
23		HX00233000B		CABLE BAND						1	
24		HX002330000		CLIP						10	
25		B2568223C00		AIR TUBE SUPPORT						1	
26		SL6062592TN		SCREW						4	
27		SM8050812TP		SCREW M5X8						2	
28		SM6051000SP		SCREW						2	
29		WP0531000SD		WASHER M5						2	
30		RE0320000K0		E-RING 3.2						2	

CLOTH FEED MECHANISM COMPONENTS (2)



CLOTH FEED MECHANISM COMPONENTS (2)

No.	Supply Code	Parts No.	Replacement	Parts name	Remarks	Choice	Step	Level	Cons	Qty	Rep. QTY
1		SM6060802TP		SCREW M6 L=8						2	
2		B2558220000		PLASTIC BLANK PLATE						2	
3		SM4050655SP		SCREW M5 L=6						4	
4		WP0531000SD		WASHER M5						4	
5		B26132150A0		WORK CLAMP FOOT PLATE A ASM.						1	
6	R	B2613215000	B26132150A0	WORK CLAMP FOOT PLATE A				*		1	1.00
7		PS0150065KP		SPRING PIN 1.5X6				*		4	
8		B25672150A0		WORK CLAMP FOOT PLATE B ASM.						2	
9	R	B2567215000	B25672150A0	WORK CLAMP FOOT PLATE B				*		1	1.00
10		PS0150065KP		SPRING PIN 1.5X6				*		2	
11		40032839		SLIDE_PLATE_ASM.						2	
12	R	40032840	40032839	SLIDE_PLATE				*		1	1.00
13		B1816280000		GUIDE PIN				*		2	
14		B2513215000		BEARING						4	
15		SM6051802TP		SCREW M5 L=18						6	
16		WS0610002KP		SPRING WASHER						2	
17		WP0611626SP		WASHER 15X6X1.6						2	
18		40051500		OUTOR_FRAME_ARM						1	
19		SM6061602TP		SCREW M6 L=16						4	
20		WP0641600SC		WASHEW6.4X12.5X1.6						4	
21		40051770		FEEDING FRAME BALL CATCH						2	
22		SM4041255SP		SCREW M4 L=12						4	
23		WP0450000SD		WASHER 4.5X8X0.5						4	
24		40032843		FEEDING_FRAME_3020						1	
25		B2560220000		SUPPORT PIN						2	
26		SM8050512TP		SCREW						2	
27		40051769		FEEDING FRAME S-UPP PORT BEARING						2	
28		SM1040870TP		SCREW						4	
29		40051782		LOWER PLATE 3020						1	

TABLE COMPONENTS

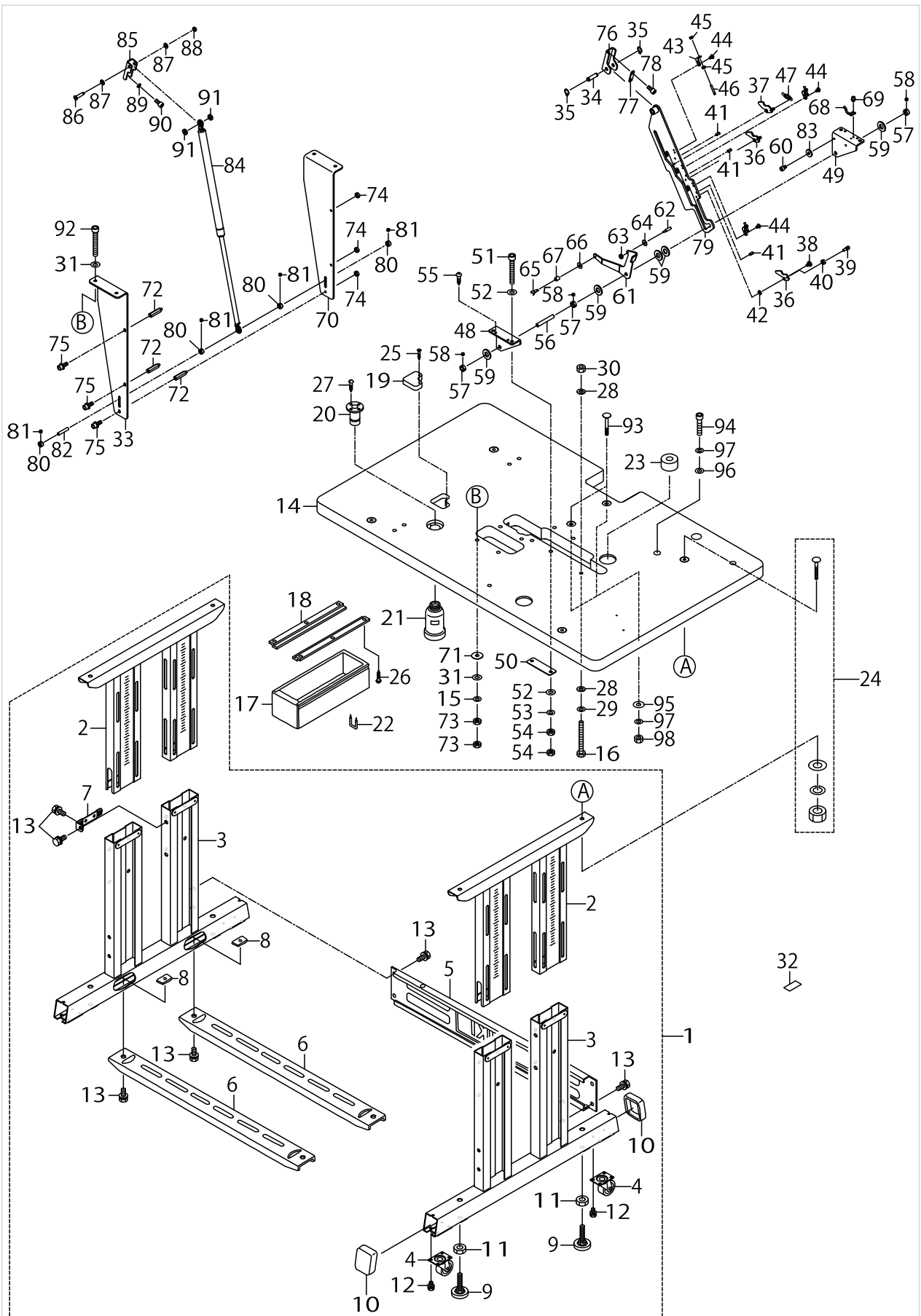


TABLE COMPONENTS

No.	Supply Code	Parts No.	Replacement	Parts name	Remarks	Choice	Step	Level	Cons	Qty	Rep. QTY
1	D R	B8101221DA0	B8101221DB0	STAND ASM.		A				1	1.00
1	D R	B8101221DA0	B8110373N00	STAND ASM.		A				1	4.00
1	D R	B8101221DA0	B8150221D00	STAND ASM.		A				1	4.00
2		B8102221DA0		UPPER STAND COMPL.				*		2	
3		B8103221DA0		STAND COMPL.				*		2	
4		B8150221D00		CASTER				*		4	
5	D	11158300		STAND SIDE SUPPORT				*		1	
6		11158409		STAND SIDE SUPPORT				*		2	
7		11158516		UPPER STAND PLATE				*		4	
8		17007402		NUT				*		4	
9		17833658		ADJUSTING BOLT ASM.				*		4	
10		B8110373N00		CAP				*		4	
11		NM6120003SE		NUT M12				*		4	
12		SL9061293SE		WASHER HEXAGONAL BOLT				*		16	
13		SL9082093SE		SCREW				*		20	
14		40090320		TABLE						1	
15		WS0820002KN		SPRING WASHER M8						4	
16		SM9087533SC		SCREW M8 L=75						1	
17	R	11155108	11155157	DRAWER						1	1.00
18		11155207		DRAWER SUPPORT						2	
19		B8171223C00		RUBBER ABSORBER						1	
20		B8202205000		OIL MANAGEMENT						1	
21		B9121012000		OIL CAN						1	
22		D8204555D00		DRAWER STOPPER						1	
23		G5151171000		CUSHION						2	
24		MTJMS00000S		SCREW SET						4	
25		SK1382501SE		WOOD SCREW D=3.8 L=25						1	
26	R	SK3311600SC	SK3311601SE	WOOD SCREW D=3.1 L=16						6	1.00
27	R	SK3311600SC	SK3311601SE	WOOD SCREW D=3.1 L=16						2	1.00
28		WP0841600SE		WASHER 8.4X15.5X1.6						2	
29		WS0820002KN		SPRING WASHER M8						1	
30		NM6080001SC		NUT M8X1.25						1	
31		WP0850002SP		WASHER 8.5X18X1.6						8	
32		16870206		GRAVITY SEAL						1	
33		40098325		LIFTER_BRACKET_A						1	
34		40091078		PIVOT_SHAFT						1	
35		RC0100001KP		SNAP RING M10						2	
36		40089790		GUIDE_PLATE_B						2	
37		40089789		GUIDE_PLATE_A						1	
38		SD0600326TP		SHOULDER SCREW D=6 H=3.2						3	
39		40011926		SPRING_HOOK						3	
40		NM6040001SC		NUT M4X0.7 TYPE1						3	
41		PS0400082KP		SPRING PIN						3	
42		10523702		WASHER						3	
43		40086365		SPRING_HOOK_BRACKET						3	
44		SM4040655SP		SCREW M4 L=6						6	

TABLE COMPONENTS

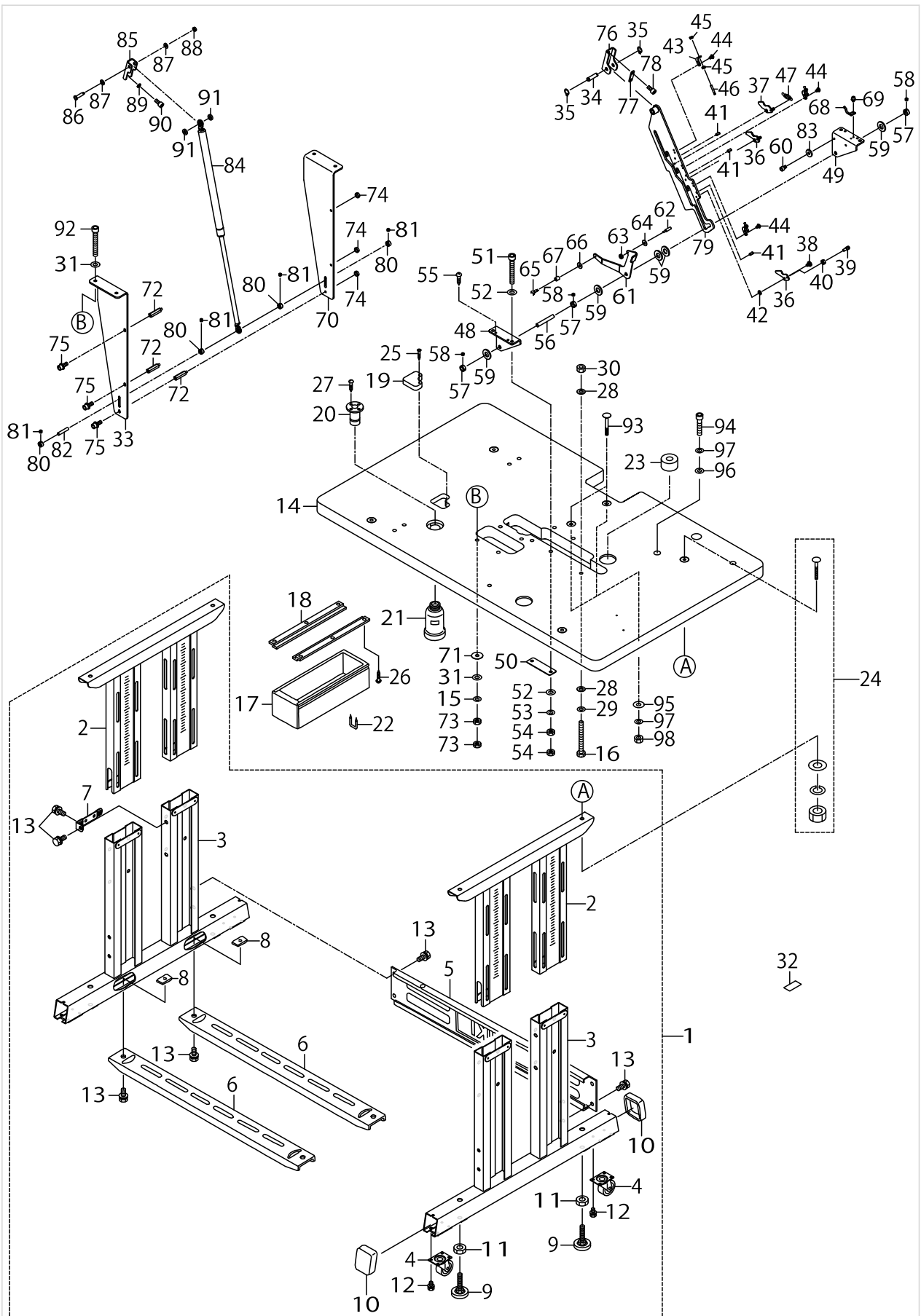


TABLE COMPONENTS

No.	Supply Code	Parts No.	Replacement	Parts name	Remarks	Choice	Step	Level	Cons	Qty	Rep. QTY
45		NS6110310SP		NUT 11/64-40						6	
46		26226506		SPRING HOOK						3	
47		13888201		SPRING						3	
48		40089786		BOTTOM_STOPPER_BASE_A						1	
49		40089787		BOTTOM_STOPPER_BASE_B						1	
50		40089792		SPACER_B						2	
51		SM6086002TP		SCREW						4	
52		WP0850002SP		WASHER 8.5X18X1.6						8	
53		WS0820002KN		SPRING WASHER M8						4	
54		NM6080003SC		NUT M8						8	
55		SK3582501SE		WOOD SCREW D=5.8 L=25						4	
56		40089791		GUIDE_PIN						1	
57		CS1000881TP		THRUST COLLAR						3	
58		SM8050412TP		SCREW M5 L=4						6	
59		WP1022016SH		WASHER						5	
60		SM6050802TP		SCREW M5X0.8 L=8						2	
61		40091075		RELEASE_LEVER						1	
62		40011205		STUD						1	
63		NM6040001SC		NUT M4						1	
64		WP0431005SP		PLAIN WASHER 4.3X12X1						1	
65		SD0601406TP		SHOULDER SCREW D=6 H=14						1	
66		WP0431005SP		PLAIN WASHER 4.3X12X1						1	
67		GAW01502000		OILLESS SHAFT HOLDER						1	
68		40091076		LOCK_SPRING						1	
69		SL6040692TN		BOLT						2	
70		40098326		LIFTER_BRACKET_B						1	
71		B1628191B00		BODY CAP B						4	
72		40016705		OIL_TANK_STUD_A						3	
73		NM6080003SC		NUT M8						8	
74		NM6060003SC		NUT M6						3	
75		SL6061692TN		BOLT						3	
76		40089785		TOP_STOPPER_BASE						1	
77		40091083		SPACER_A						1	
78		SM6061202TN		BOLT						2	
79		40091362		STOPPER_PLATE_ASM						1	
80		CS0800881TP		THRUST COLLAR						4	
81		SM8050412TP		SCREW M5 L=4						8	
82		B2539223C00		X IDLER SHAFT						1	
83		WP0522016SH		WASHER						2	
84		40089783		GAS_SPRING						1	
85		40089782		LIFTER_BRACKET_C						1	
86		40089784		SHOULDER_SCREW						1	
87		B1223771000		NEEDLE ROD CRANK WASHER						2	
88		NM6060001SC		NUT M6						1	
89		WS0610002KP		SPRING WASHER						2	
90		SM6061202TN		BOLT						2	

TABLE COMPONENTS

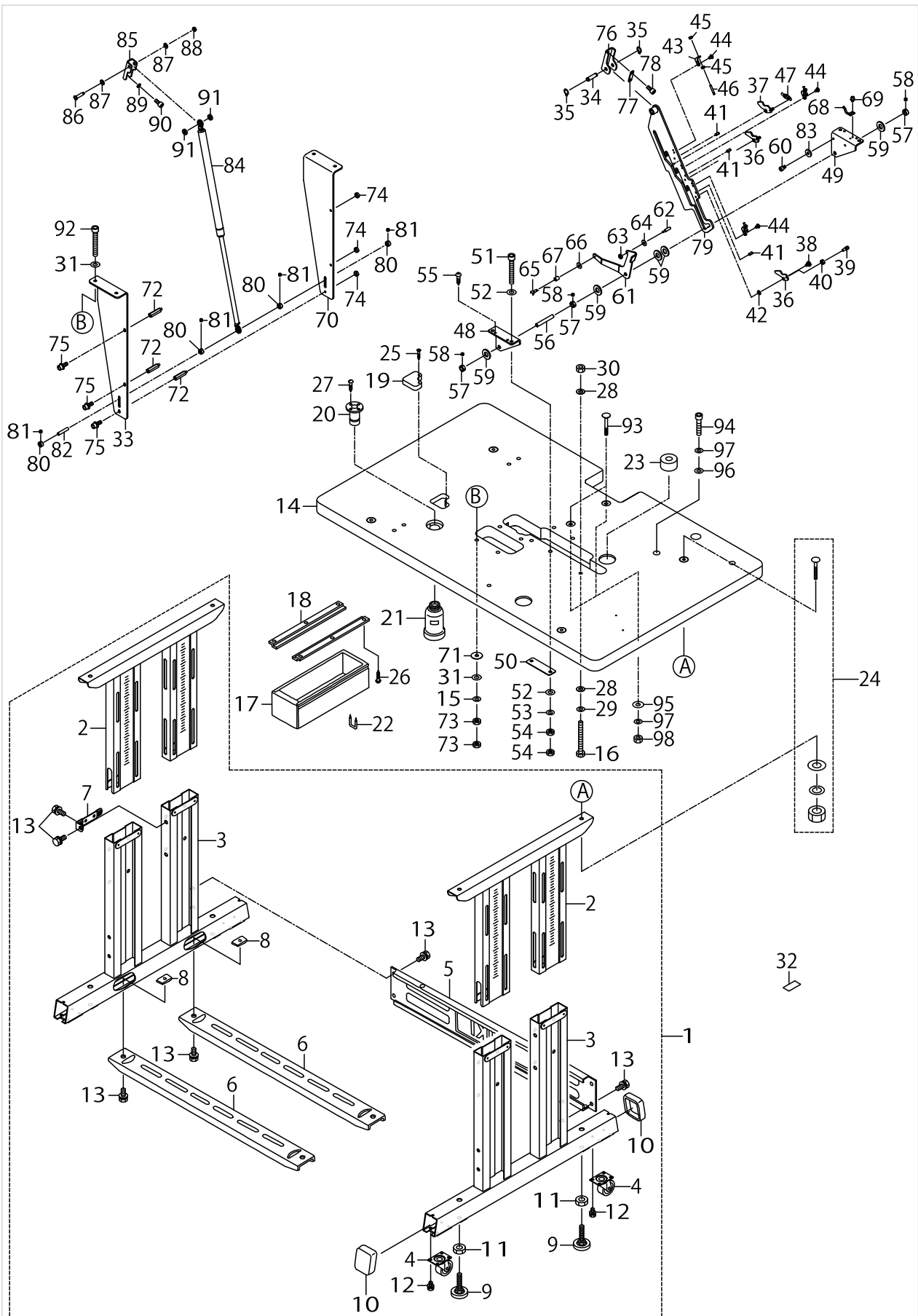
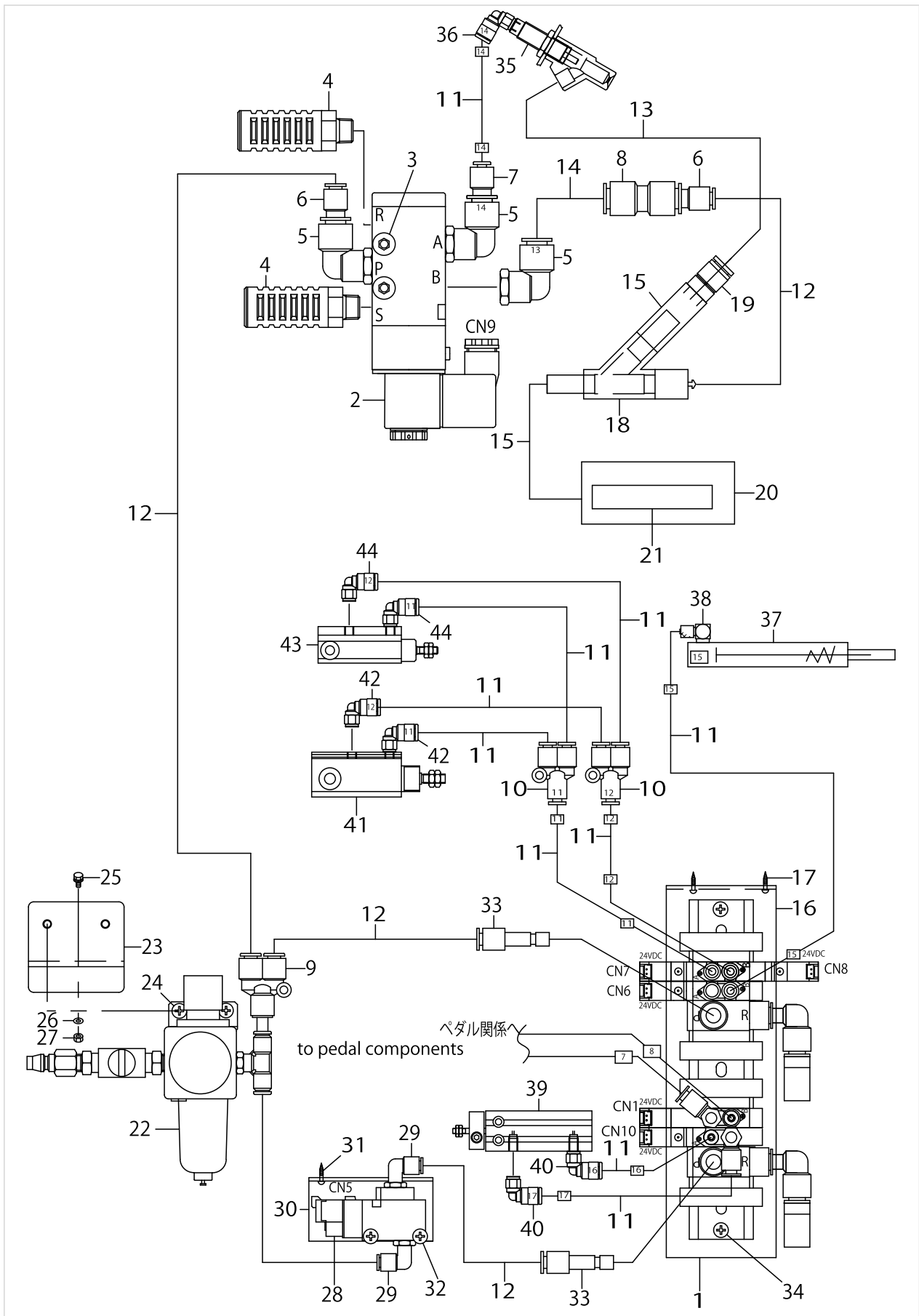


TABLE COMPONENTS

No.	Supply Code	Parts No.	Replacement	Parts name	Remarks	Choice	Step	Level	Cons	Qty	Rep. QTY
91		40051536		CUSHION						2	
92		SM6086002TP		SCREW						4	
93		MTSHJ100003		BOLT						2	
94		SM6084002TN		SCREW M8 L=40						1	
95		WP0852086SC		WASHER M8						2	
96		WP0841601SC		WASHER 8.4X17.4X1.6						1	
97		WS0820002KR		SPRING WASHER M8						3	
98		NM6080002SC		NUT M8						2	

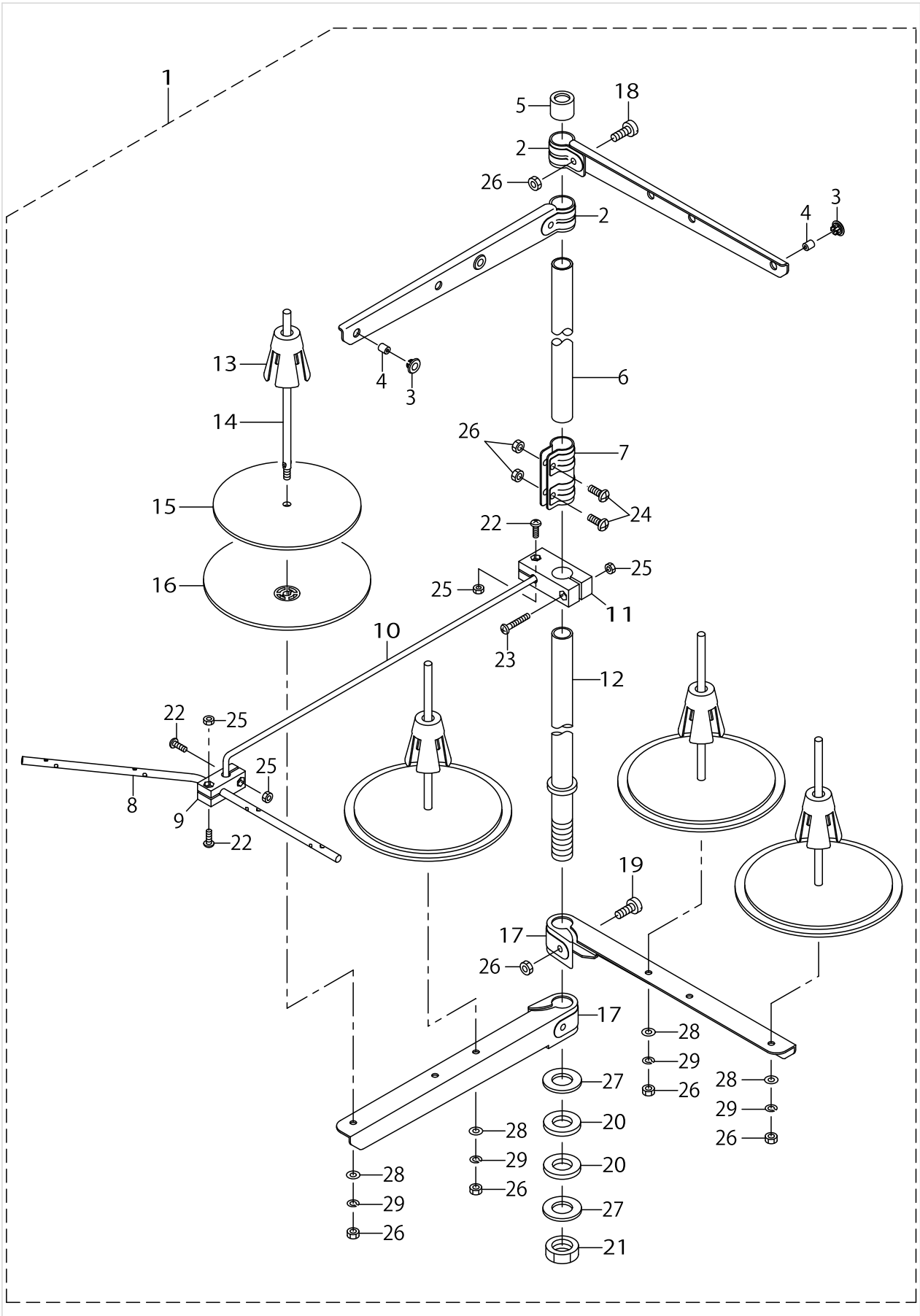
PNEUMATIC COMPONENTS



PNEUMATIC COMPONENTS

No.	Supply Code	Parts No.	Replacement	Parts name	Remarks	Choice	Step	Level	Cons	Qty	Rep. QTY
1		40140319		SOLENOID_VALVE_ASM.						1	
2		PV155303000		5-PORT_SOLENOID_VALVE						1	
3		SM6043002TN		SCREW						2	
4		PX055202000		SILENCER						2	
5		PJ304105301		ELBOW UNION						3	
6		PJ301060004		REDUCER						2	
7		PJ309040003		REDUCER 4-10						1	
8		PJ303100002		STRAGHT						1	
9		PJ308060004		Y UNION						1	
10		PJ308040002		QUICK COUPLING						2	
11		BT0400251EB		URETHANE HOSE BLACK						17	
12		BT0600401EB		TUBE						2.5	
13		BT0800501EB		VINYL TUBE						.17	
14	D	BT1000651EB		POLYURETHANE TUBE						1.1	
15		BT1601001Z0		TUBE						1.3	
16		40140304		SORENOID_VALVE_FITTING_BASE						1	
17		SK3452500SC		WOOD SCREW D=4.5 L=25						2	
18		F10120030A0		NOZZLE ASM.						1	
19		PJ301080001		REDUCER						1	
20		11428802		DUST BAG						1	
21		40140307		DUST_BAG_COVER						1	
22		40030951		FILTER_REGULATOR_ASM.						1	
23		40023662		FILTER INSTALLING PLATE						1	
24		SL4051091SC		SCREW M5X0.8 L=10						2	
25		SL9082093SE		SCREW						1	
26		WP0871602SE		WASHER 8.7X18X1.6						1	
27		NM6080721SE		NUT M8						1	
28		PV135129000		3-PORT SOLENOID VALVE						1	
29		PJ304065101		ELBOW UNION 6XPT1/8						2	
30		40105704		SOLENOID_INSTALLING_PLATE						1	
31		SK3452500SC		WOOD SCREW D=4.5 L=25						2	
32		SL4032591SC		SCREW M3X25						2	
33		PJ301060003		REDUCER						1	
34		SL4040891SC		SCREW M4 L=8						2	
35		11429008		CLAMP CYLINDER						1	
36		PJ304040504		ELBOW UNION						1	
37		PA100102000		AIR CYLINDER						1	
38		PJ046052503		HOSE ELBOW						1	
39		40140278		WIPER						1	
40		PJ304040504		ELBOW UNION						1	
41		PA1601017A0		AIR CYLINDER						1	
42		PJ304040504		ELBOW UNION						2	
43		PA1001016A0		AIR CYLINDER (DIA10-10ST)						1	
44		PJ304040504		ELBOW UNION						2	

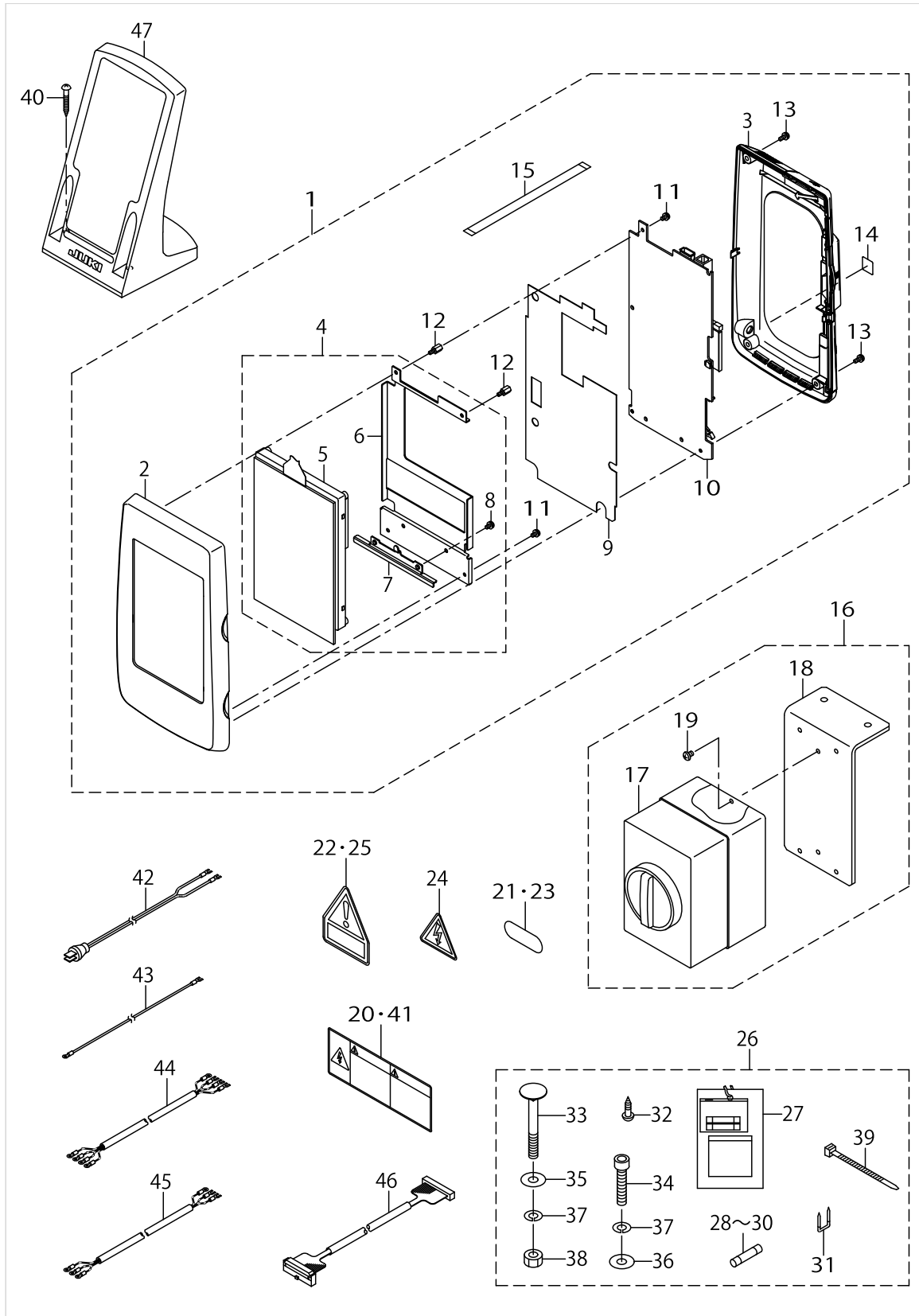
THREAD STAND COMPONENTS



THREAD STAND COMPONENTS

No.	Supply Code	Parts No.	Replacement	Parts name	Remarks	Choice	Step	Level	Cons	Qty	Rep. QTY
1	R	40106590	40106584	THREAD STAND ASM.						1	1.00
2		40085787		SPOOL REST ARM UPPER				*		2	
3		40085795		THREAD GUIDE BUSHING				*		4	
4		40085794		THREAD GUIDE				*		4	
5		40085793		SPOOL REST ROD RUBBER CAP				*		1	
6		40085785		SPOOL REST ROD UPPER				*		1	
7		40085792		SPOOL REST ROD JOINT				*		1	
8		40106582		THREAD GUIDE 4				*		1	
9		40106580		THREAD GUIDE UNDER BASE				*		1	
10		40106576		THREAD GUIDE ARM				*		1	
11		40106579		THREAD GUIDE ARM BASE				*		1	
12		40085784		SPOOL REST ROD LOWER				*		1	
13		40085791		SPOOL RETAINER				*		4	
14		40085790		SPOOL PIN				*		4	
15		40085789		SPOOL REST CUSHION				*		4	
16		40085788		SPOOL REST				*		4	
17		40085786		SPOOL REST ARM LOWER				*		2	
18	R	40096327	SM4053001SE	SPOOL REST ARM UPPER SCREW				*		2	1.00
19		40096326		SPOOL REST ARM LOWER SCREW				*		2	
20		40085796		SPOOL REST ROD RUBBER CUSHION				*		2	
21		40096325		SPOOL REST ROD NUT				*		1	
22		SM4041201SC		SCREW M4 L=12				*		3	
23		SM4042501SC		SCREW M4X0.7 L=25				*		1	
24		SM4051405SE		SCREW M5 L=14				*		2	
25	R	NM6040002SC	NM6040002SE	NUT M4				*		4	1.00
26		NM6050001SE		NUT M5				*		10	
27		WP1612616SE		WASHER 16X30X2.6				*		2	
28		WP0531001SC		WASHER M5				*		4	
29		WS0510002KN		SPRING WASHER M5				*		4	

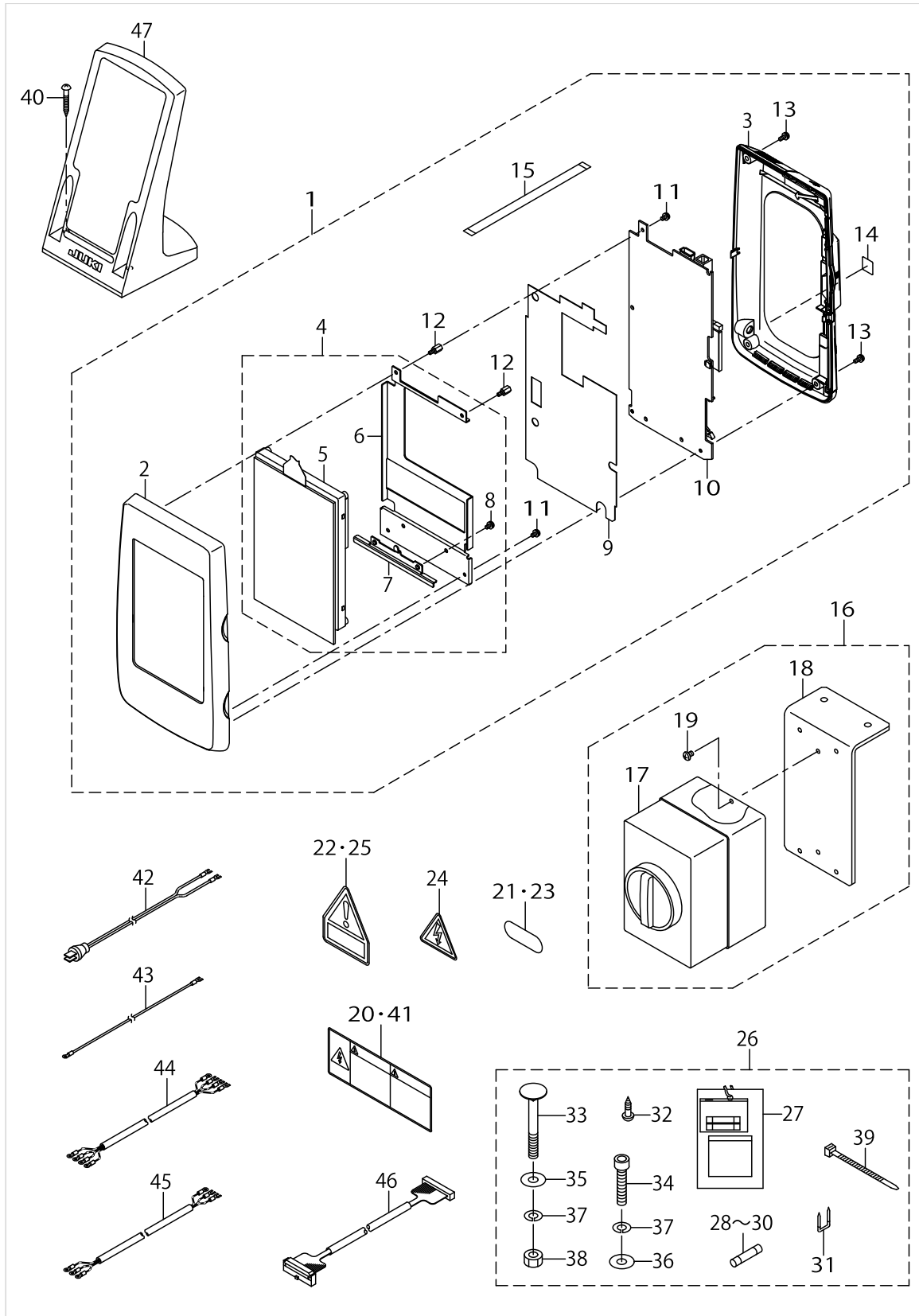
OPERATION PANEL COMPONENTS



OPERATION PANEL COMPONENTS

No.	Supply Code	Parts No.	Replacement	Parts name	Remarks	Choice	Step	Level	Cons	Qty	Rep. QTY
1		40145024		IP-420R PANEL ASSY						1	
2		40078163		FRONT_CASE				*		1	
3		40080799		REAR_CASE_ASSY				*		1	
4		40080800		LCD_ASSY				*		1	
5		40086541		LCD TOUCH PANEL ASSY	TECHNICAL INFOMATI- ON (A16-029)			*		1	
6		40083668		LCD_BRACKET	TECHNICAL INFOMATI- ON (A16-029)			*		1	
7	R	40083666	40080800	LCD_STAY				*		1	1.00
8		SL4030681SC		SCREW M3 L=6				*		2	
9		40078168		INSULATION_SHEET				*		1	
10	R	40083960	40086541	PANEL PCB ASSY		A		*		1	1.00
10	R	40083960	40083668	PANEL PCB ASSY		A		*		1	1.00
10	R	40083960	40166481	PANEL PCB ASSY		A		*		1	1.00
10	R	40083960	40166318	PANEL PCB ASSY		A		*		1	1.00
10	R	40083960	HW002650330	PANEL PCB ASSY		A		*		1	1.00
11		SL4030681SC		SCREW M3 L=6				*		3	
12		HX00354000B		PCB SUPPORT L=8MM				*		2	
13		SL4030881SC		SCREW M3X8				*		4	
14		CM600100101		WEEE MARK LABEL S				*		1	
15	R	HW002180200	HW002650330	FLAT CABLE		A		*		1	1.00
15	R	HW002180200	40083668	FLAT CABLE		A		*		1	1.00
15	R	HW002180200	40086541	FLAT CABLE		A		*		1	1.00
15	R	HW002180200	40166481	FLAT CABLE		A		*		1	1.00
15	R	HW002180200	40166318	FLAT CABLE		A		*		1	1.00
16		40081602		POWER SWITCH ASM						1	
17		HA005820000		SWITCH				*		1	
18		40081603		SWITCH INSTALLATION BOARD				*		1	
19		SL4041091SE		SCREW M4 L=10				*		2	
20		CM300100401		LABEL 3 (LARGE)	FOR USE IN JAPAN(1-PHASE)					1	
21		BME01100000		VOLTAGE INDICATION SEAL	FOR USE IN JAPAN(1-PHASE)					1	
22		CM300400701		VOLTAGE CAUTION LABEL	FOR USE IN JAPAN,JA					1	
23		BME03200000		VOLTAGE INDICATION SEAL	FOR USE IN JAPAN,JA					1	
24		CM300100003		VOLTAGE WARNING LABEL(25)	FOR GENE- RAL EXPORT					1	
25		CM300400601		VOLTAGE CAUTION LABEL	FOR GENE- RAL EXPORT					1	
26		40085316		OPTION A ASSY						1	
27		M300451100A		VOLTAGE INDICATION CARD A				*		1	
28		HF00130315S		FUSE 3.15A 250V REF. NO.112				*		1	
29		HF003000200		FUSE 2A (220/240V)				*		1	
30		HF0013050P0		FUSE 5A				*		1	
31	D	MA011532000		STAPLE				*		5	
32		SK3512001SE		WOOD SCREW D=5.1 L=20				*		2	
33		MTSHJ100003		BOLT				*		2	
34		SM6084002TN		SCREW M8 L=40				*		1	

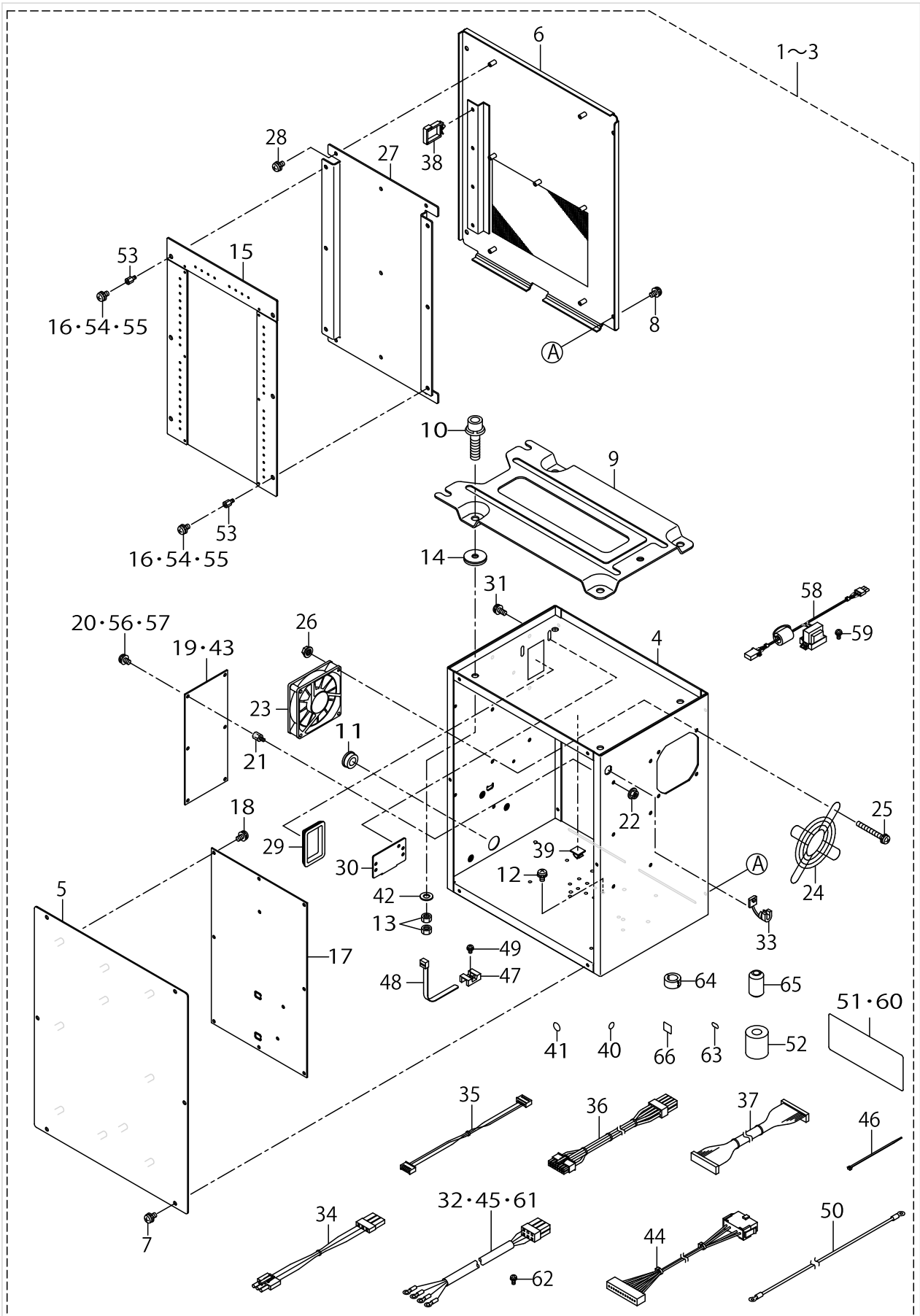
OPERATION PANEL COMPONENTS



OPERATION PANEL COMPONENTS

No.	Supply Code	Parts No.	Replacement	Parts name	Remarks	Choice	Step	Level	Cons	Qty	Rep. QTY
35		WP0852086SC		WASHER M8				*		2	
36		WP0841601SC		WASHER 8.4X17.4X1.6				*		1	
37		WS0820002KR		SPRING WASHER M8				*		3	
38		NM6080002SC		NUT M8				*		2	
39		HX00065000A		CABLE CLIP				*		2	
40		SK3413201SE		WOOD SCREW D=4.1 L=32						2	
41		CM300100401		LABEL 3 (LARGE)	FOR USE IN JAPAN,JA					1	
42		40086468		POWER CABLE 1P PLUG ASSY	FOR USE IN JAPAN(1-PHASE)					1	
43		M90345800A0		GROUND CORD ASM.	FOR USE IN JAPAN(1-PHASE)					1	
44		40086469		POWER CABLE 3P ASSY	FOR USE IN JAPAN,JA					1	
45		40086470		POWER CABLE 1P ASSY	FOR GENERAL EXPORT					1	
46		40065566		PANEL CABLE D ASM.						1	
47		40035024		OPERATION_BOX_FIXED_PLATE(B) ASM.						1	

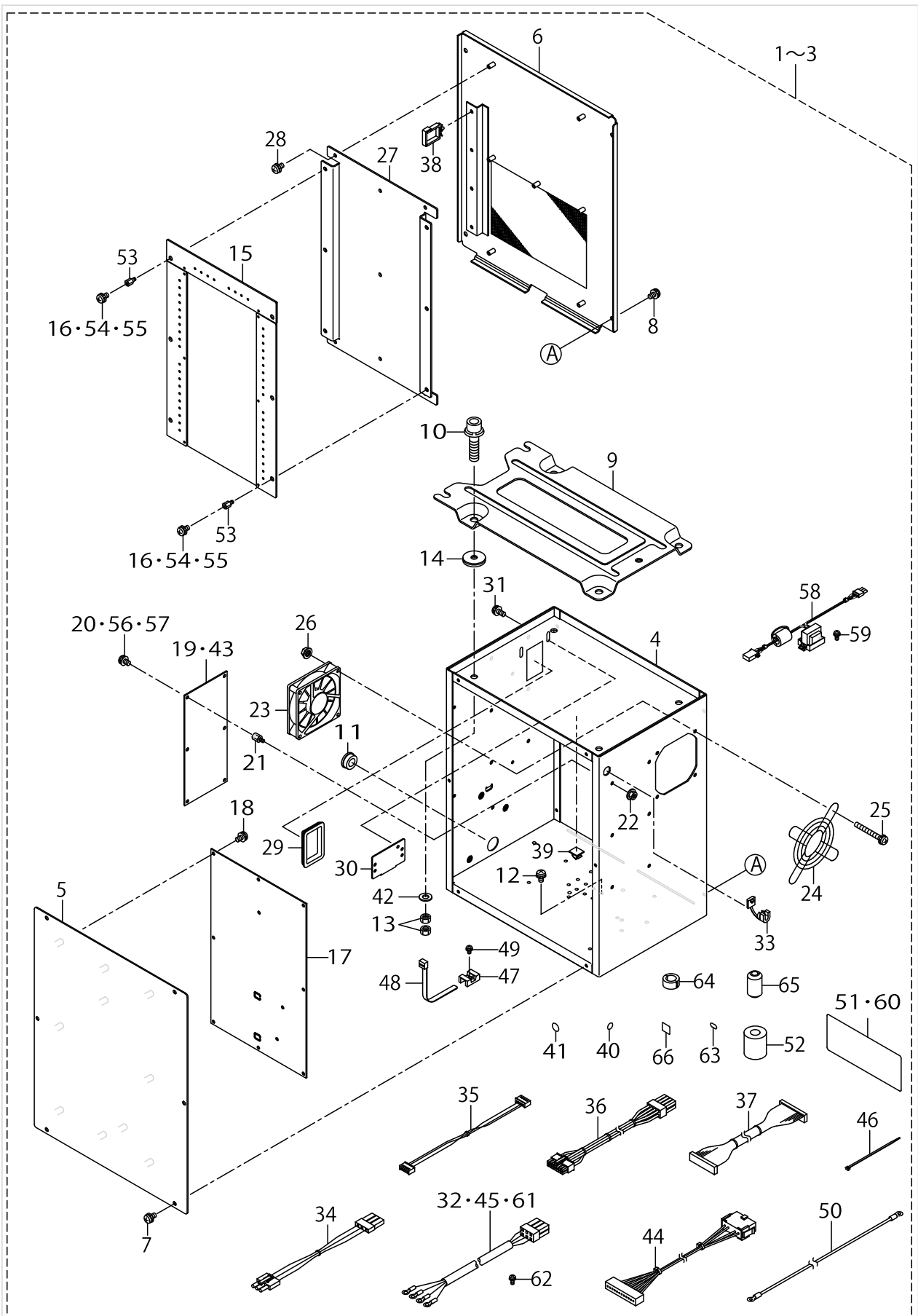
CONTROL BOX COMPONENTS



CONTROL BOX COMPONENTS

No.	Supply Code	Parts No.	Replacement	Parts name	Remarks	Choice	Step	Level	Cons	Qty	Rep. QTY
1		40145022		MC-588-3 BOX A	FOR MC-5-88-3 BOX A					1	
2		40145023		MC-588-3 BOX C	FOR MC-5-88-3 BOX C					1	
3		40163238		MC-588-3 BOX B	FOR MC-5-88-3 BOX B					1	
4		40055355		CONTROL BOX				*		1	
5		40094018		CONTROL BOX FRONT COVER				*		1	
6		40094019		CONTROL BOX REAR COVER				*		1	
7		SL4040891SC		SCREW M4 L=8				*		6	
8		SL4040891SC		SCREW M4 L=8				*		4	
9		M3801476000		TRANSMISSION BOX FITTING PLATE				*		1	
10		SL6083092TN		SCREW				*		4	
11		HX00326000K		GROMMET				*		1	
12		SL4040891SC		SCREW M4 L=8				*		4	
13		NM6080001SC		NUT M8X1.25				*		8	
14		M4206461000		WASHER				*		4	
15		40145026		MAIN PCB F ASSY				*		1	
16		SL4040881SC		SCREW M4 L=8	FOR MC-5-88-3 BOX A,C			*		6	
17		40082758		SDC PCB A ASSY				*		1	
18		SL4040881SC		SCREW M4 L=8				*		10	
19		40000056		FLT-T PCB A ASSY	FOR MC-5-88-3 BOX A			*		1	
20		SL4040881SC		SCREW M4 L=8	FOR MC-5-88-3 BOX A,C			*		6	
21		HX003390000		STUD				*		6	
22		NM3040520SC		NUT M4				*		6	
23		40005401		FAN MOTOR ASSY				*		1	
24		KM000000480		FAN MOTOR				*		1	
25		SL4043591SC		SCREW				*		4	
26		NM3040520SC		NUT M4				*		4	
27		40005706		MAIN PCB HOLDER PLATE				*		1	
28		SL4040881SC		SCREW M4 L=8				*		5	
29		HX004070000		BUSH				*		1	
30		17845009		CORD FITTING PLATE				*		1	
31		SL4041091SC		SCREW M4 L=10				*		2	
32		40086465		POWER CORD 3P ASSY	FOR MC-5-88-3 BOX A			*		1	
33		HX00410000A		STRAIN RELIEF BUSHING				*		1	
34		40005393		FLT-SDC CORD P ASSY	FOR MC-5-88-3 BOX A,C			*		1	
35		40005394		FLT-SDC CORD S ASSY				*		1	
36		40005726		SDC-MAIN CORD P ASSY				*		1	
37		40005727		SDC-MAIN CORD S ASSY				*		1	
38		HX005110000		WIRE SADDLE				*		3	
39		E9607603000		STICKER (SMALL)				*		1	
40		E9567319000		EARTH MARK				*		1	
41		40003458		MASK SEAL				*		15	
42		WP0841601SC		WASHER 8.4X17.4X1.6				*		4	
43		40162838		FLT-CE PCB A ASSY	FOR MC-5-88-3 BOX B,C			*		1	

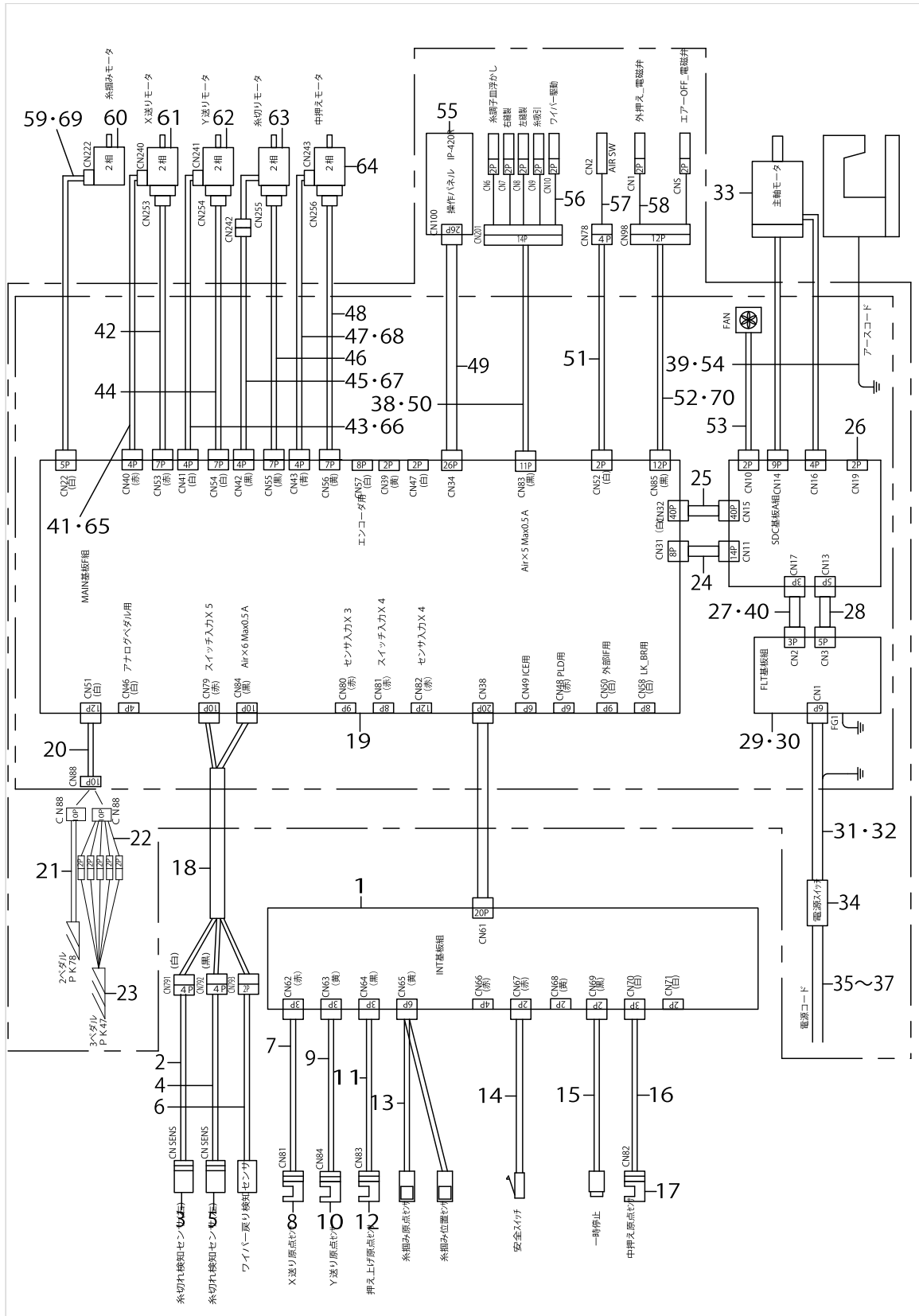
CONTROL BOX COMPONENTS



CONTROL BOX COMPONENTS

No.	Supply Code	Parts No.	Replacement	Parts name	Remarks	Choice	Step	Level	Cons	Qty	Rep. QTY
44		40073659		SW RELAY CORD ASM				*		1	
45		40086467		POWER CORD 1P ASSY	FOR MC-5-88-3 BOX C			*		1	
46		EA9500B0100		CABLE BAND				*		1	
47		KX000000210		SADDLE TYPE TIE MOUNT				*		1	
48		KX000000230		RELEASIBLE CABLE TIE				*		1	
49		SL4040881SC		SCREW M4 L=8				*		1	
50		M90295800A0		FDD EARTH CORD ASM.				*		1	
51		40051640		ELECTRICAL_RATIN-G_LABEL_UNIVERSAL	FOR MC-5-88-3 BOX A,C			*		1	
52		HN001490000		CLAMP FILTER(L)				*		1	
53		HX00339000M		SPACER	FOR MC-5-88-3 BOX B			*		5	
54		SL4040881SC		SCREW M4 L=8	FOR MC-5-88-3 BOX B			*		1	
55		SL4041091SC		SCREW M4 L=10	FOR MC-5-88-3 BOX B			*		5	
56		SL4040881SC		SCREW M4 L=8	FOR MC-5-88-3 BOX B			*		5	
57		SL4041081SC		SCREW M4 L=10	FOR MC-5-88-3 BOX B			*		1	
58		40163025		REACTOR CORD ASSY	FOR MC-5-88-3 BOX B			*		1	
59		SL4040891SC		SCREW M4 L=8	FOR MC-5-88-3 BOX B			*		2	
60	D	40057278		ELECTRICAL_RATIN-G_LABEL_CE_UNIVERSAL	FOR MC-5-88-3 BOX B			*		1	
61		40086466		POWER CORD JE ASSY	FOR MC-5-88-3 BOX B			*		1	
62		SL4041081SC		SCREW M4 L=10	FOR MC-5-88-3 BOX B			*		1	
63		CM200100001		PE MARK LABEL	FOR MC-5-88-3 BOX B			*		1	
64		HN002460000		CORES	FOR MC-5-88-3 BOX B			*		1	
65		HN002840000		CORES	FOR MC-5-88-3 BOX B			*		1	
66		CM600100101		WEEE MARK LABEL S	FOR MC-5-88-3 BOX B			*		1	

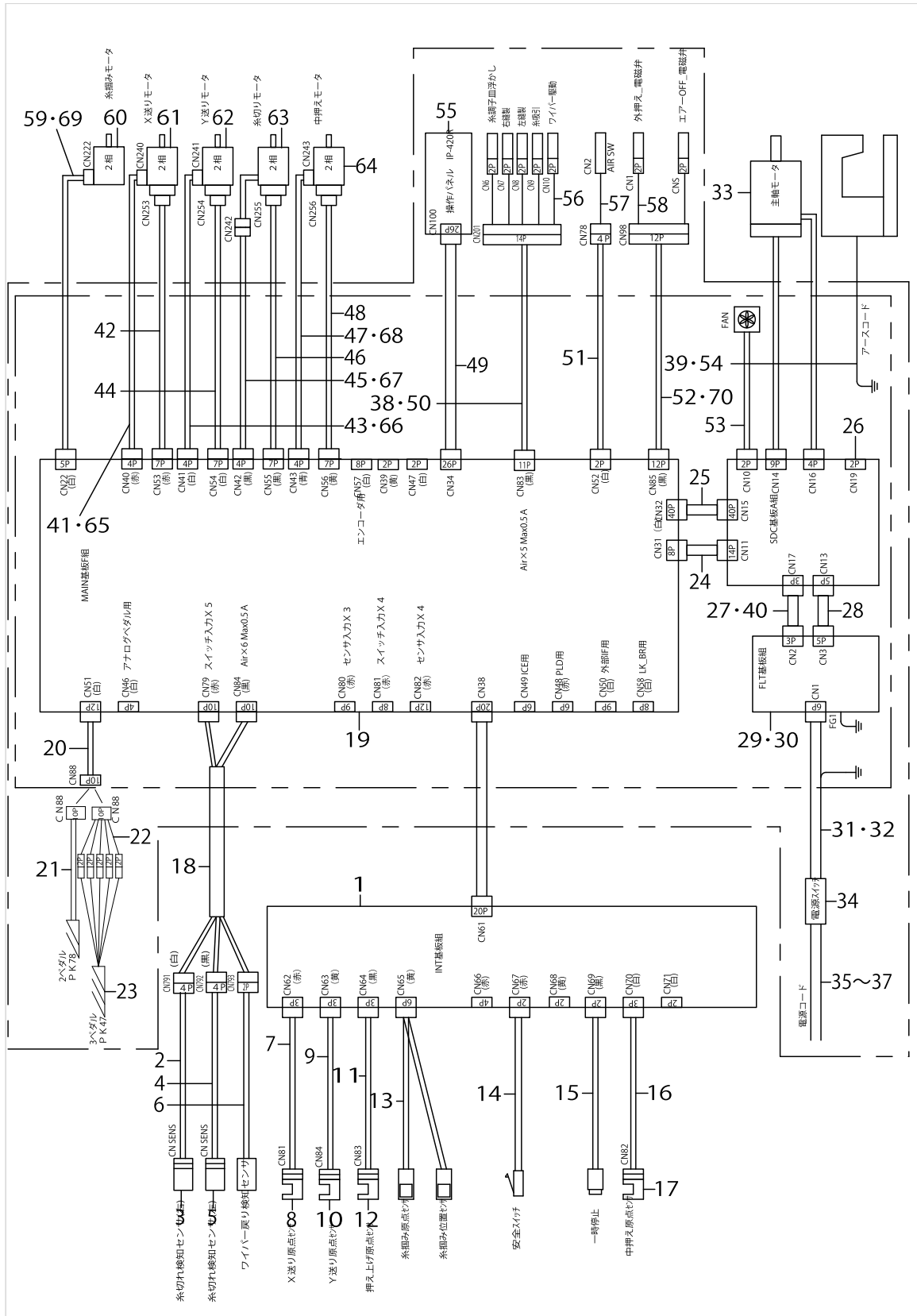
WIRING DIAGRAM



WIRING DIAGRAM

No.	Supply Code	Parts No.	Replacement	Parts name	Remarks	Choice	Step	Level	Cons	Qty	Rep. QTY
1		40040230		INT PCB ASM.						1	
2		40140986		SENSOR CABLE R ASM.						1	
3		40140984		YARN MOVEMENT SENSOR						1	
4		40140987		SENSOR CABLE L ASM.						1	
5		40140984		YARN MOVEMENT SENSOR						1	
6		40140989		WIPER SENSOR ASM.						1	
7		40040222		X SENSOR CABLE ASM.						1	
8		HD00057000A		PHOTO SENSOR						1	
9		40040223		Y SENSOR CABLE ASM.						1	
10		HD00057000A		PHOTO SENSOR						1	
11		40040238		PF_SENSOR_CABLE_ASM.						1	
12		HD00057000A		PHOTO SENSOR						1	
13		40040224		TH SENSOR ASM.						1	
14	D	40029633		SAFETY SW CORD ASM.						1	
15		40040242		STOP SW ASM.						1	
16		40040240		IP SENSOR CABLE ASM.						1	
17		HD00057000A		PHOTO SENSOR						1	
18		40140981		SENSOR RELAY CABLE ASM.						1	
19		40145026		MAIN PCB F ASSY						1	
20		40073659		SWRELAYCORDASM.						1	
21		40033831		PK78 PEDAL SWITCH ASM.						1	
22		40033875		PK47 RELAY CABLE ASM.						1	
23		GPK470010AB		3-PEDAL ASM.						1	
24		40005726		SDC-MAIN CORD P ASSY						1	
25		40005727		SDC-MAIN CORD S ASSY						1	
26		40082758		SDC PCB A ASSY						1	
27		40005393		FLT-SDC CORD P ASSY						1	
28		40005394		FLT-SDC CORD S ASSY						1	
29		40000056		FLT-T PCB A ASSY	FOR 3-PH-ASE/1-PHASE					1	
30		40162838		FLT-CE PCB A ASSY	FOR 1-PHASE					1	
31		40086465		POWER CORD 3P ASSY	FOR 3-PHASE					1	
32		40086467		POWER CORD 1P ASSY	FOR 1-PHASE					1	
33		40052937		550W_SERVO_MOTOR						1	
34		40081602		POWER SWITCH ASM.						1	
35		40086468		POWER CABLE 1P PLUG ASSY	FOR 1-PH-ASE(100V)					1	
36		40086469		POWER CABLE 3P ASSY	FOR 3-PH-ASE(200V/220V)					1	
37		40086470		POWER CABLE 1P ASSY	FOR GENERAL EXPORT					1	
38		40163233		SOLENOID VALVE RELAY CABLE ASM	FOR JE					1	
39		M90195800A0		EARTH CABLE ASM.	FOR JE					1	
40		40163025		REACTOR CORD ASSY	FOR JE					1	
41		40083865		XMOTORCABLEASM.						1	
42		40083870		X ENCODER CABLE ASM.						1	
43		40083866		YMOTORCABLEASM.						1	
44		40083871		Y ENCODER CABLE ASM.						1	

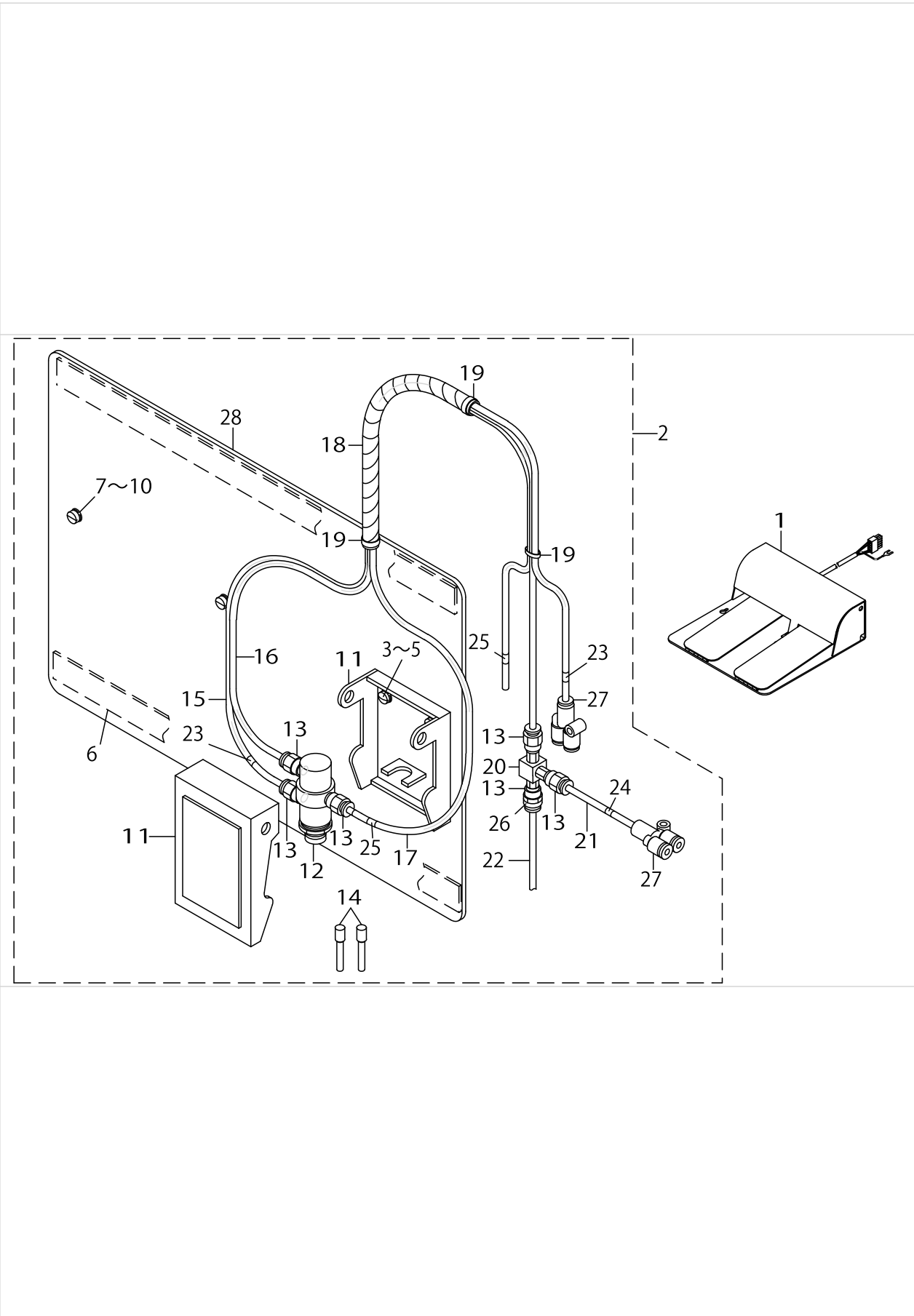
WIRING DIAGRAM



WIRING DIAGRAM

No.	Supply Code	Parts No.	Replacement	Parts name	Remarks	Choice	Step	Level	Cons	Qty	Rep. QTY
45		40083867		TT MOTOR CABLE ASM.						1	
46		40083872		TT ENCODER CABLE ASM.						1	
47		40083868		IP MOTOR CABLE ASM.						1	
48		40083873		IP ENCODER CABLE ASM.						1	
49		40065566		PANEL CABLE D ASM.						1	
50		40097984		SOLENOID VALVE RELAY CABLE ASM.						1	
51		40093109		AIR SW CABLE ASM.						1	
52		40081601		AIR RELAY CABLE ASM.						1	
53		40005401		FAN MOTOR ASSY						1	
54		40005712		EARTH CODE ASM.						1	
55		40145024		IP-420R PANEL ASSY						1	
56		40140982		SOLENOID VALVE CORD 1 ASM.						1	
57		40030951		FILTER_REGULATOR_ASM.						1	
58		40140983		SOLENOID VALVE CORD 2 ASM.						1	
59		40083869		TH MOTOR CABLE ASM.						1	
60		40085033		STEPPING MOTOR						1	
61		40071945		STEPPING MOTOR						1	
62		40071945		STEPPING MOTOR						1	
63		40071944		STEPPING MOTOR						1	
64		40085032		STEPPING MOTOR						1	
65		40163089		X MOTOR CABLE ASM	FOR JE					1	
66		40163090		Y MOTOR CABLE ASM	FOR JE					1	
67		40163091		TT MOTOR CABLE ASM	FOR JE					1	
68		40163092		IP MOTOR CABLE ASM	FOR JE					1	
69		40178385		TH MOTOR CABLE ASM CE	FOR JE					1	
70		40163061		AIR RELAY CABLE ASM	FOR JE					1	

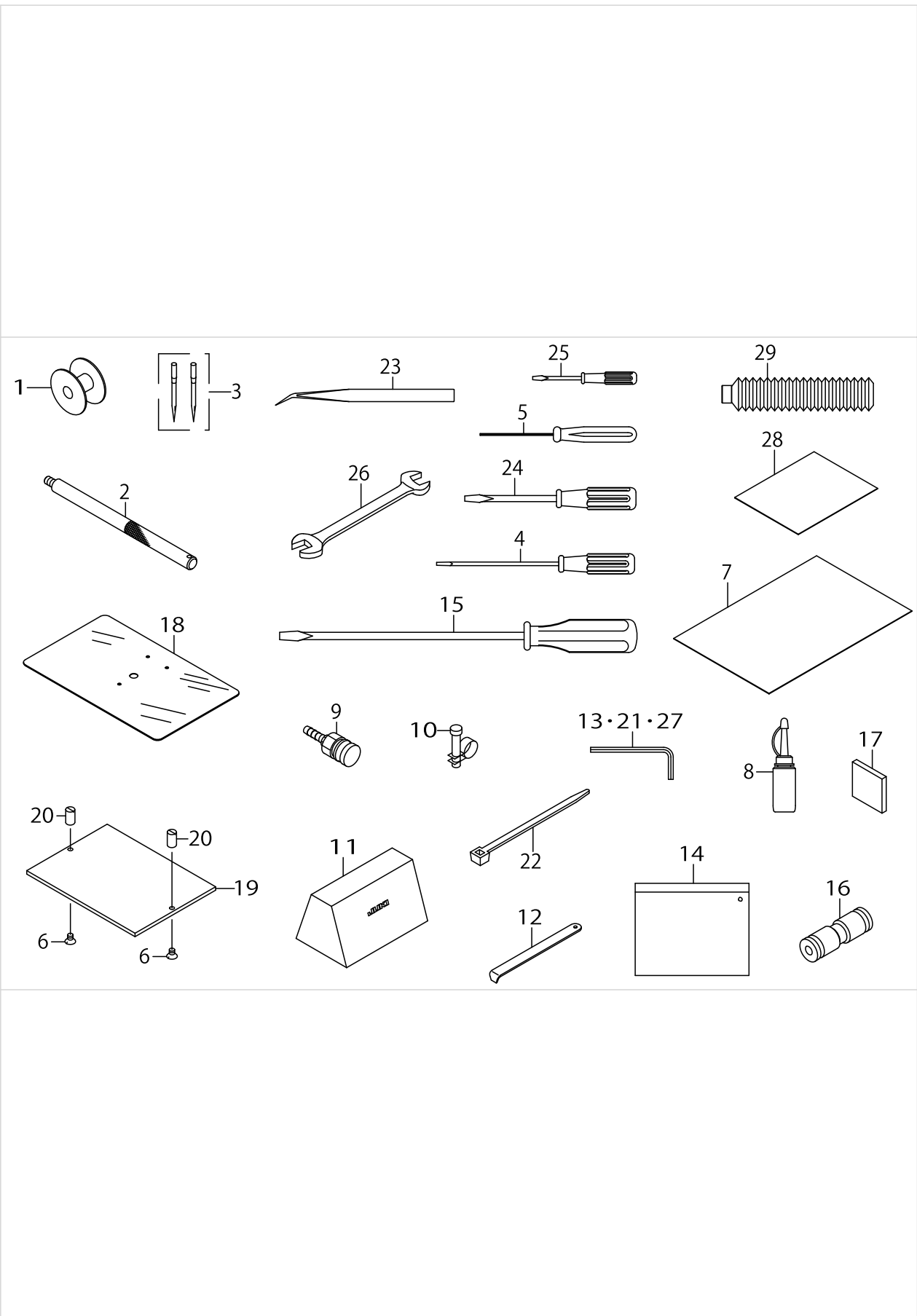
PEDAL COMPONENTS



PEDAL COMPONENTS

No.	Supply Code	Parts No.	Replacement	Parts name	Remarks	Choice	Step	Level	Cons	Qty	Rep. QTY
1		40033831		PK78 PEDAL SWITCH ASM.						1	
2		40042352		MECHANICAL VALVE UNIT						1	
3		WP0450801SD		WASHER 4.5X10X0.8				*		2	
4		WS0451040KP		SPRING WASHER 4.5X8.5X1				*		2	
5		SS7111120TP		SCREW				*		2	
6		D8002D15A0Y		PEDAL CUSHION				*		2	
7		SS6111210SP		SCREW11/64-40L=12				*		2	
8		WP0450801SD		WASHER 4.5X10X0.8				*		2	
9		WS0451040KP		SPRING WASHER 4.5X8.5X1				*		2	
10		WP0553216SD		WASHER				*		2	
11		PX020002000		ACTUATOR				*		1	
12		PV010502000		AIR VALVE				*		1	
13		PJ301040501		HALF UNION M5 D=4				*		6	
14		PX500014000		PLUG				*		2	
15		BT0400251EB		URETHANE HOSE BLACK				*		1.9	
16		BT0400251EB		URETHANE HOSE BLACK				*		1.8	
17		BT0400251EB		URETHANE HOSE BLACK				*		1.9	
18		HX00314000A		SPIRAL TUBE				*		0.6	
19		EA9500B0100		CABLE BAND				*		3	
20		GEP01013000		VALVE				*		1	
21		BT0400251EB		URETHANE HOSE BLACK				*		0.1	
22		BT0400251EB		URETHANE HOSE BLACK				*		0.1	
23		18035204		WIRE MARK (3)				*		2	
24		18035303		WIRE MARK (4)				*		1	
25		18035600		WIRE MARK (7)				*		2	
26		18035709		WIRE MARK (8)				*		1	
27		PJ308040002		QUICK COUPLING				*		2	
28		D8001D15A0Y		PEDAL BASE				*		1	

ACCESSORIE PART COMPONENTS



ACCESSORIE PART COMPONENTS

No.	Supply Code	Parts No.	Replacement	Parts name	Remarks	Choice	Step	Level	Cons	Qty	Rep. QTY
1		B1806210D00		BOBBIN					☆	1	
2		40044920		HEAD GRIP						1	
3	R	MDP170B1802	MDP170B1800	NEEDLE DPX17#18-2					☆	1	1.00
4		12347308		SCREW DRIVER (SMALL)						1	
5		40032763		HEXAGONAL_DRIVER(1.5)						1	
6		SM1040650TP		SCREW						2	
7		B2564223C00		SPONGE					☆	1	
8		B91212200A0		OILER (CONTAINING NO.2 OIL)						1	
9		PJ309520001		SOCKET						1	
10		PB000010000		HOSE BAND						1	
11		40027770		VINYL COVER						1	
12		B9101490000		DRIVER						1	
13		B9141372000		HEXAGONAL WRENCH LARGE						1	
14		22932800		ACCESSORIE BAG						1	
15		22933006		SCREW DRIVER LARGE						1	
16		PJ303040002		STRAIGHT UNION						4	
17		40055573		CF CARD SET AMS210E						1	
18		40033185		COVER_SEET						1	
19		40035094		PLASTIC_BLANK_3020						1	
20		40051836		INSTALLING_PIN						2	
21		GCT02906000		HEXAGONAL SPANNER						1	
22		EA9500B0100		CABLE BAND						1	
23		12288403		TWEEZERS						1	
24		22933105		SCREW DRIVER MIDDLE						1	
25		22933204		SCREW DRIVER SMALL						1	
26		B9113012000		WRENCH (9X10)						1	
27		B9140372000		HEXAGONAL WRENCH SMALL						1	
28		B2591220000		RUBBER SHEET						1	
29		40097886		GREASE						1	

LIST FOR INFORMATION OF CHANGE

As to the place changed, refer to the corresponding Rev.No.
 When previous parts(Obsoleted part)and new parts(Added parts)are
 not interchangeable with each other:
 In this case,even obsoleted parts(D.)can be ordered with the
 obsoleted part number,so select the parts with changed dates and
 place your orders.

変更箇所は、該当Rev.No.版をご参照ください。
 部品の互換性がない変更の場合は、削除された品番でも、ご注文できます。

40142417
 No.1648-05 Rev.No.

*A:Added parts追加部品/D:Obsoleted parts削除部品/E:Erratum訂正

* Rev. No.	Page 頁	Ref. No.	Parts No. 品番	* Rev. No.	Page 頁	Ref. No.	Parts No. 品番
D 04	44	3	400-62368				
				A 05	44	3	401-63238
D 04	44	43	400-00046	A 05	44	43	401-62838
D 04	44	44	HX-0041800-0E				
D 04	44	46	HX-0014700-0J				
D 04	44	50	SL-4030881-SC				
D 04	44	56	400-81580				
D 04	44	57	400-62367				
				A 05	44	53	HX-0033900-0M
				A 05	44	54	SL-4040881-SC
				A 05	44	55	SL-4041091-SC
				A 05	44	56	SL-4040881-SC
				A 05	44	57	SL-4041081-SC
				A 05	44	58	401-63025
				A 05	44	59	SL-4040891-SC
				A 05	44	60	400-57278
				A 05	44	61	400-86466
				A 05	44	62	SL-4041081-SC
				A 05	44	63	CM-2001000-01
				A 05	44	64	HN-0024600-00
				A 05	44	65	HN-0028400-00
				A 05	44	66	CM-6001001-01
D 04	46	30	400-00046	A 05	46	30	401-62838
D 04	46	38	400-62368				
D 04	46	39	400-62367				
D 04	46	40	400-81580				
D 04	46	69	401-63024	A 05	46	69	401-78385
D 04	46	72	401-63063	A 05	46	39	M9019-580-0A0

HOW TO MAKE USE OF THIS PARTS LIST

1.Explanation of codes

1)**mark.....means this part is changed from the previous parts book.

As to the details of the change, refer to the "List for information of change".

2)"#01".....refer to "Note" explanation at bottom of page.

2.Codes on the "Qty" column

• Each numeral indicates the number of parts required.

• "0.1" and "2.5" indicate the length (in meters) of the respective parts.

3.Parentheses mean that the corresponding part is a subpart that constructs an assembly part.

4.Dotted lines on the Figures indicate assembly parts.

5.As to the parts with marks of "☆"(consumable parts) and "◎"(optional parts)on the respective parts, it is recommended to prepare spares.

1."注記"欄の記号説明

1) "＊"印.....前回のパーツブックに比較して今回変更された部品を意味します。

変更内容は、"変更情報リスト"を参照してください。

2) "#01".....ページ下の"注記"の説明を参照してください。

2.数量欄の数字は、個数を表し、0.1、2.5等の数値は、長さ（単位メートル）を表します。

3.数量欄の（ ）は、組部品を構成している子部品であることを意味します。

4.イラストページの-----枠は、組構成であることを意味します。

5.リストページの"☆"（消耗部品）、"◎"（オプション部品）の印がついた部品は、予備を準備しておくことをお奨めします。

NUMERICAL INDEX OF PARTS

PART NO	PAGE	REF NO.	PART NO	PAGE	REF NO.	PART NO	PAGE	REF NO.
10108009	16	22	18035709	86	26	26501858	34	18
10124204	40	24	22617609	40	11	40000056	78	19·43
10124303	40	25	22617708	40	12	40000056	82	29·30
10232502	20	7	22617807	40	14	40003458	78	41
10502300	2	35	22617906	40	35	40003970	30	46
10523702	64	42	22618201	40	32	40005393	78	34
10697605	40	4	22618300	40	33	40005393	82	27·40
10741106	40	26	22618706	40	5	40005394	78	35
11045101	40	27	22618805	40	9	40005394	82	28
11072402	6	29	22618904	40	18	40005401	78	23
11072402	40	28	22687701	56	21	40005401	84	53
11155108	64	17	22901805	6	3	40005706	78	27
11155207	64	18	22902506	2	4	40005712	6	35
11158300	64	5	22918304	18	56	40005712	84	39·54
11158409	64	6	22932800	88	14	40005726	78	36
11158516	64	7	22933006	88	15	40005726	82	24
11272408	56	18	22933105	88	24	40005727	78	37
11427705	38	12	22933204	88	25	40005727	82	25
11428505	38	11	23517501	44	4	40006317	34	9
11428802	70	20	23517600	44	5	40006323	4	53·54
11429008	38	8	23517709	44	6	40006484	2	39
11429008	70	35	23517808	44	7	40006497	10	40
11429305	38	10	23630007	34	25	40006515	16	29
11957008	40	29	23638109	10	39	40006516	16	31
12288403	88	23	23638208	10	41	40006532	18	53
12347308	88	4	23638406	10	42	40006555	16	17
13122403	26	23	26017707	60	5	40006561	16	23
13122452	26	22	26023408	60	7	40006567	34	5
13508700	10	13	26211904	2	20	40006569	34	6
13529607	34	26	26221101	10	15	40006576	34	31
13816855	10	12	26221200	10	14	40006577	34	22
13888201	66	47	26226506	66	46	40006578	34	45
14103352	34	39	26260109	6	5	40006666	46	46
14103907	34	21	26260208	6	6	40006761	48	1
14104004	34	19	26260307	6	7	40006780	48	11
14113450	6	31	26260406	6	8	40006836	12	61
14113468	6	28	26260505	6	9	40006840	10	36
16870206	64	32	26260604	6	10	40010405	2	29
16992604	56	19	26260703	6	11	40010414	4	63
17007402	64	8	26260802	6	12	40010415	16	5
17833658	64	9	26261206	6	16	40010418	16	7
17845009	78	30	26261305	6	17	40010421	16	20
18035204	86	23	26261503	6	18	40010422	16	9
18035303	86	24	26261602	6	19	40010423	16	10
18035600	86	25	26261701	6	20	40010424	16	11

NUMERICAL INDEX OF PARTS

PART NO	PAGE	REF NO.	PART NO	PAGE	REF NO.	PART NO	PAGE	REF NO.
40010425	16	12	40025426	30	27	40032163	14	3
40010426	16	13	40025428	26	11	40032167	14	8
40010427	16	14	40025429	26	26	40032168	14	2
40010437	16	36	40025431	28	59	40032174	10	20
40010438	16	37	40026113	30	41	40032177	14	28
40010439	16	38	40026817	30	4	40032178	14	29
40010440	16	39	40026818	16	24	40032180	30	17
40010443	44	18	40026819	30	9	40032181	30	23
40010464	34	2	40026829	12	57	40032182	36	67
40010471	34	28	40026830	12	58	40032184	36	59
40010472	34	30	40026831	12	59	40032185	36	57
40010527	48	22	40027770	88	11	40032186	44	15
40010528	48	23	40027870	30	37	40032187	48	26
40010533	16	33	40027971	2	37	40032191	58	58
40010590	48	10	40028338	6	4	40032192	56	3
40011152	48	24	40028877	2	28	40032197	56	7
40011205	66	62	40029419	26	36	40032200	52	43
40011926	64	39	40029420	30	5	40032203	56	9
40012815	48	19	40029633	10	45	40032205	52	3
40012965	26	19	40029633	82	14	40032209	52	37
40013640	4	53·54	40030615	30	15	40032210	56	13
40014963	34	40	40030616	28	62	40032215	56	16
40014965	36	41·49	40030617	26	4	40032216	56	17
40015800	48	5	40030620	26	31	40032218	52	25
40016705	66	72	40030621	28	55	40032219	52	10
40023624	44	13	40030625	30	1	40032221	56	23
40023631	28	49	40030626	30	2	40032223	52	40
40023635	60	8	40030627	30	3	40032229	60	16
40023644	60	3	40030628	28	63~65	40032230	60	17
40023662	70	23	40030629	28	63~65	40032238	52	23
40023865	6	13	40030630	28	63~65	40032239	52	4
40023866	6	14	40030828	2	8	40032240	52	35
40024063	34	7	40030829	6	15	40032483	30	6
40024988	26	29	40030933	44	23·24	40032763	88	5
40024989	30	24	40030934	44	27	40032839	62	11
40024991	26	40	40030936	44	1	40032840	62	12
40024997	10	9	40030942	48	17	40032843	62	24
40025011	26	13	40030943	48	15	40033069	48	39
40025012	26	5	40030951	70	22	40033182	10	37
40025016	30	31	40030951	84	57	40033183	10	38
40025415	26	8	40031336	4	52	40033185	88	18
40025418	30	33	40032158	2	1	40033186	14	5
40025419	32	48	40032159	2	26	40033831	82	21
40025420	30	44	40032161	12	53	40033831	86	1
40025423	32	60	40032162	14	1	40033875	82	22

NUMERICAL INDEX OF PARTS

PART NO	PAGE	REF NO.	PART NO	PAGE	REF NO.	PART NO	PAGE	REF NO.
40034846	34	12	40052937	82	33	40083866	82	43·66
40035024	76	47	40055355	78	4	40083867	84	45·67
40035094	88	19	40055573	88	17	40083868	84	47·68
40035160	48	34	40057278	80	51·60	40083869	84	59·69
40035161	48	28	40057368	56	4	40083870	82	42
40035705	14	4	40057370	56	5	40083871	82	44
40036110	4	55	40057371	56	6	40083872	84	46
40036117	34	37	40057380	12	52	40083873	84	48
40036118	36	47	40061991	34	41·49	40083960	74	10
40039546	10	27	40065566	76	46	40084115	2	31
40039547	10	26	40065566	84	49	40085032	84	64
40040082	48	43	40068832	28	66	40085033	48	30
40040222	52	29	40068834	26	28	40085033	84	60
40040222	82	7	40068835	26	7	40085316	74	26
40040223	82	9	40071944	84	63	40085784	72	12
40040224	48	33	40071945	84	62	40085785	72	6
40040224	82	13	40072009	34	4	40085786	72	17
40040230	12	47	40072211	44	19	40085787	72	2
40040230	82	1	40072228	44	10	40085788	72	16
40040238	82	11	40073081	32	47	40085789	72	15
40040240	32	52	40073082	52	28	40085790	72	14
40040240	82	16	40073085	44	23·24	40085791	72	13
40040242	2	33	40073659	80	44	40085792	72	7
40040242	82	15	40073659	82	20	40085793	72	5
40040256	44	8	40076232	48	16	40085794	72	4
40042352	86	2	40076233	48	3	40085795	72	3
40042716	22	89	40076235	48	4	40085796	72	20
40043096	58	62	40076236	48	12	40086365	64	43
40043321	32	55	40076237	48	9	40086367	10	29
40043869	34	1	40076239	48	14	40086465	78	32·45·61
40044186	60	1	40078108	56	8	40086465	82	31·32
40044920	88	2	40078133	26	43	40086466	80	32·45·61
40051473	16	46	40078163	74	2	40086467	80	32·45·61
40051499	10	18	40078168	74	9	40086467	82	31·32
40051500	62	18	40080799	74	3	40086468	76	42
40051501	12	51	40080800	74	4	40086468	82	35~37
40051502	10	19	40081601	84	52·70	40086469	76	44
40051536	68	91	40081602	74	16	40086469	82	35~37
40051640	80	51·60	40081602	82	34	40086470	76	45
40051769	62	27	40081603	74	18	40086470	82	35~37
40051770	62	21	40082758	78	17	40086541	74	5
40051782	62	29	40082758	82	26	40089365	34	13
40051836	88	20	40083666	74	7	40089367	16	16
40051987	2	40	40083668	74	6	40089777	52	2
40052937	16	40	40083865	82	41·65	40089778	52	44

NUMERICAL INDEX OF PARTS

PART NO	PAGE	REF NO.	PART NO	PAGE	REF NO.	PART NO	PAGE	REF NO.
40089779	52	5	40121767	58	66	40140265	28	47
40089782	66	85	40140204	22	75	40140266	28	69
40089783	66	84	40140205	28	58	40140267	26	46
40089784	66	86	40140207	4	57	40140268	26	44
40089785	66	76	40140208	26	1	40140273	30	42
40089786	66	48	40140210	30	8	40140274	26	14
40089787	66	49	40140212	2	10	40140275	26	39
40089789	64	37	40140213	16	8	40140277	28	50
40089790	64	36	40140214	16	2	40140278	70	39
40089791	66	56	40140215	20	1	40140279	38	5
40089792	66	50	40140216	20	35	40140281	38	14
40090320	64	14	40140217	20	36	40140283	38	7
40090331	10	17	40140218	18	57	40140286	40	3
40091075	66	61	40140219	20	3	40140288	40	21
40091076	66	68	40140220	20	16	40140289	24	94
40091078	64	34	40140221	20	4	40140290	40	44
40091083	66	77	40140222	20	8	40140292	4	49
40091362	66	79	40140223	20	18	40140293	40	1
40093109	84	51	40140224	20	19	40140294	40	31
40093291	56	11	40140225	20	21	40140295	40	23
40094018	78	5	40140226	20	25	40140296	40	46
40094019	78	6	40140227	20	27	40140297	42	53
40096325	72	21	40140237	20	39	40140298	2	16
40096326	72	19	40140239	20	46	40140300	2	3
40096327	72	18	40140240	22	47	40140303	4	60
40097886	88	29	40140241	20	44	40140304	70	16
40097984	84	38·50	40140242	22	49	40140305	40	2
40098325	64	33	40140243	22	51	40140307	70	21
40098326	66	70	40140244	2	6	40140309	24	95
40102213	30	20	40140246	20	28	40140310	24	96
40103968	46	49	40140247	20	23	40140312	30	36
40104419	56	61	40140248	22	55	40140317	40	30
40104419	58	61	40140249	22	53	40140319	70	1
40105704	70	30	40140250	22	61	40140321	20	30
40106576	72	10	40140251	22	57	40140322	20	31
40106579	72	11	40140252	22	58	40140324	18	54
40106580	72	9	40140253	22	66	40140328	18	55
40106582	72	8	40140254	22	69	40140329	20	2
40106590	72	1	40140255	22	68	40140332	16	42
40110841	18	51	40140256	22	67	40140334	20	24
40112861	18	49	40140257	22	59	40140336	18	58
40121230	58	70	40140258	22	70	40140981	82	18
40121232	56	15	40140259	20	33	40140982	84	56
40121671	56	14	40140262	30	7	40140983	84	58
40121766	58	65	40140263	26	2	40140984	4	67

NUMERICAL INDEX OF PARTS

PART NO	PAGE	REF NO.	PART NO	PAGE	REF NO.	PART NO	PAGE	REF NO.
40140984	82	5	B1182221D00	14	10	B2416280000	44	31
40140986	4	69	B1183221D00	14	11	B2417210000	44	36
40140986	82	2	B1193221D00	14	12	B2417280000	44	38
40140987	4	70	B1212210D00	16	44	B2418280000	44	30
40140987	82	4	B1223771000	22	63	B2421210AA0	44	29
40140988	4	68	B1223771000	66	87	B242328000A	44	41~44
40140989	38	4	B1406526000	20	5	B242328000B	44	41~44
40140989	82	6	B1407526000	20	6	B242328000C	44	41~44
40141178	2	18	B1408180000	26	32	B242328000D	44	41~44
40141179	2	46	B1410526000	20	17	B2424210000	44	28
40141945	4	47	B1411804A00	36	53~56	B242621000B	44	25·26
40141946	22	90	B1411804B00	36	53~56	B242621000D	44	25·26
40141947	24	98	B1411804C00	36	53~56	B2504221D00	56	1
40141959	20	41	B1411804D00	36	53~56	B2505221D00	56	2
40145022	78	1~3	B1412526000	20	10	B2513215000	62	14
40145023	78	1~3	B1413526000	20	11	B2525223C00	56	10
40145024	74	1	B1414526000	20	12	B2529232000	10	3
40145024	84	55	B1415526000	20	13	B2534223C00	56	12
40145026	78	15	B1417526000	20	20	B2537221D00	56	40
40145026	82	19	B1425526000	20	72	B2539223C00	66	82
40145973	4	73	B1425526000	22	72	B2558220000	62	2
40162838	78	19·43	B1504210000	60	4	B2560220000	62	25
40162838	82	29·30	B1513210000	4	50	B2564223C00	88	7
40163025	80	58	B151902600G	52	7	B2567215000	62	9
40163025	82	27·40	B161121000A	28	48	B25672150A0	62	8
40163061	84	52·70	B1628191B00	66	71	B2568223C00	60	25
40163089	84	41·65	B1634210D00	28	53	B2576220000	60	6
40163090	84	43·66	B1636581A00	26	15~18	B2591220000	88	28
40163091	84	45·67	B1636581B00	26	15~18	B2613215000	62	6
40163092	84	47·68	B1636581C00	26	15~18	B26132150A0	62	5
40163233	82	38·50	B1636581D00	26	15~18	B3107804000	40	41
40163238	78	1~3	B1802180000	56	22	B3112704000	40	37
40178385	84	59·69	B1806210D00	34	43	B3114232000	40	36
A1230500000A	18	48	B1806210D00	88	1	B3120372000	2	41
B1111215000	10	1	B1816215P00	46	48	B3126012000	6	32
B1115215000	10	2	B1816280000	52	8	B3126012000	40	34
B1116215000	12	55	B1816280000	60	21	B31375270A0	40	6
B1131528000	24	99	B1816280000	62	13	B3138527000	40	10
B1132223C00	10	28	B1820210D00	34	14	B3139527000	40	8
B1132521000	22	91	B1821210D00	34	15	B3141527000	40	13
B1144210000	16	45	B1822215P00	34	16	B3142527000	40	7
B1155221D00	14	6	B1828210DAA	34	42	B3143527000	40	15
B1156221D00	14	7	B1847221D00	36	52	B3509210000	6	38
B1157215000	14	13	B24142800A0	44	34	B3509210000	48	41
B1181221D00	14	9	B24152800A0	44	32	B3538112000	6	41

NUMERICAL INDEX OF PARTS

PART NO	PAGE	REF NO.	PART NO	PAGE	REF NO.	PART NO	PAGE	REF NO.
B402221D00	52	38	CS100081CSP	56	25	HX00150000B	36	65
B471122000C	60	11	CS1000881TP	66	57	HX00150000C	6	40
B471122000D	60	12	D5124206K0K	32	59	HX00150000D	8	46
B471122000G	60	13	D7133555B00	6	33	HX00150000D	32	53
B471122000H	60	14	D8001D15A0Y	86	28	HX00150000D	34	32
B8101221DA0	64	1	D8002D15A0Y	86	6	HX00150000D	54	48
B8102221DA0	64	2	D8204555D00	64	22	HX00150000K	6	42
B8103221DA0	64	3	E9567319000	78	40	HX00150000M	6	37
B8110373N00	64	10	E9607603000	78	39	HX002330000	60	24
B8150221D00	64	4	EA9500B0100	6	44	HX00233000B	60	23
B8171223C00	64	19	EA9500B0100	10	44	HX00307000E	6	39
B8202205000	64	20	EA9500B0100	32	58	HX00314000A	86	18
B8267180000	12	50	EA9500B0100	34	44	HX00326000K	78	11
B9101490000	88	12	EA9500B0100	48	46	HX003390000	12	49
B9113012000	88	26	EA9500B0100	54	47	HX003390000	78	21
B9121012000	64	21	EA9500B0100	80	46	HX00339000M	80	53
B91212200A0	88	8	EA9500B0100	86	19	HX00354000B	74	12
B9140372000	88	13·21·27	EA9500B0100	88	22	HX004070000	78	29
B9141372000	88	13·21·27	EA9500B0200	6	45	HX00410000A	78	33
BME01100000	74	21·23	F10120030A0	70	18	HX005110000	78	38
BME03200000	74	21·23	G1403117000	20	14	KM000000480	78	24
BT0400251EB	60	22	G5151171000	64	23	KX000000210	80	47
BT0400251EB	70	11	GAF01007000	16	28	KX000000230	80	48
BT0400251EB	86	22	GAT23301000	56	24	M300451100A	74	27
BT0600401EB	70	12	GAW01502000	66	67	M3801476000	78	9
BT0800501EB	70	13	GCT02906000	88	13·21·27	M4206461000	78	14
BT1000651EB	70	14	GEP01013000	86	20	M90195800A0	82	39·54
BT1601001Z0	70	15	GPK470010AB	82	23	M90295800A0	80	50
CM200100001	80	63	HA005820000	74	17	M90345800A0	76	43
CM300100003	74	24	HD000570000	52	30	MA011532000	74	31
CM300100401	74	20·41	HD00057000A	32	49	MDP170B1800	22	74
CM300100401	76	20·41	HD00057000A	44	16	MDP170B1802	88	3
CM300200001	6	2·36	HD00057000A	52	33	MTJMS00000S	64	24
CM300200003	6	2·36	HD00057000A	82	17	MTSHJ100003	68	93
CM300400601	74	22·25	HD00204000A	48	35	MTSHJ100003	74	33
CM300400701	74	22·25	HD00204000B	48	36	NM3040520SC	78	26
CM301200001	6	1	HF00130315S	74	28~30	NM6030003SC	14	14
CM600100101	74	14	HF0013050P0	74	28~30	NM6030003SC	50	48
CM600100101	80	66	HF003000200	74	28~30	NM6040001SC	64	63
CQ200000000	34	24	HN001490000	80	52	NM6040001SC	66	63
CQ303000000	22	88	HN002460000	80	64	NM6040001SP	40	43
CQ303000000	26	3	HN002840000	80	65	NM6040001SP	44	9
CS079073ASH	26	33	HW002180200	74	15	NM6040002SC	72	25
CS0800881TP	30	29	HX00056000A	44	22	NM6050001SE	72	26
CS0800881TP	66	80	HX00065000A	76	39	NM6050001SP	44	12

NUMERICAL INDEX OF PARTS

PART NO	PAGE	REF NO.	PART NO	PAGE	REF NO.	PART NO	PAGE	REF NO.
NM6060001SC	22	65	PJ308040002	86	27	SB30800100C	34	33~36
NM6060001SC	66	88	PJ308060004	70	9	SB30800100D	34	33~36
NM6060003SC	2	24	PJ309040003	70	7	SB408000100	30	13
NM6060003SC	66	74	PJ309520001	88	9	SB412000100	56	32
NM6080001SC	64	30	PS0150065KP	14	15	SD0350156TP	48	47
NM6080001SC	78	13	PS0150065KP	62	10	SD0350156TP	50	47
NM6080002SC	68	98	PS0250062KH	4	66	SD0380556TL	22	92
NM6080002SC	76	38	PS0400082KP	64	41	SD0400266TP	48	8
NM6080003SC	42	50	PS0400142KH	18	47	SD0470316TP	40	38
NM6080003SC	66	73	PV010502000	86	12	SD0600326TP	64	38
NM6080721SE	70	27	PV135129000	70	28	SD0601406TP	66	65
NM6100001SD	10	4	PV155303000	70	2	SD0800327TP	44	11
NM6120003SE	64	11	PX020002000	86	11	SD0800336TP	28	61
NS6060220SH	20	9	PX055202000	70	4	SD0800337TP	30	25
NS6110310SP	6	30	PX500014000	86	14	SD0800386TP	26	35
NS6110310SP	40	39	PX500020000	22	84	SD0800387TP	30	40
NS6110310SP	66	45	RC0100001KP	64	35	SD0800407TP	48	25
PA0602501A0	38	1	RC0470611KP	22	81	SD0800408TP	26	38
PA1001016A0	22	77	RC0560711KP	6	21	SD0800656TP	28	56
PA1001016A0	70	43	RC0560711KP	22	87	SD0800746TP	26	10
PA100102000	42	49	RC0650811KP	26	25	SD1000506TP	26	37
PA100102000	70	37	RC3781518KP	26	20	SD1002206TP	28	60
PA1601017A0	22	83	RE0200000K0	48	7	SK1382501SE	64	25
PA1601017A0	70	41	RE0300000K0	34	17	SK3311600SC	64	27
PA1602509A0	60	9	RE0300000K0	60	15	SK3413201SE	76	40
PA900033000	22	80	RE0320000K0	60	30	SK3452500SC	70	31
PA900034000	22	78	RE0400000K0	6	22	SK3512001SE	74	32
PA900078000	22	86	RE0700000K0	30	35	SK3582501SE	66	55
PB000010000	88	10	RE0800000K0	16	25	SL4030681SC	74	11
PC012401000	60	2	RE1000000K0	16	43	SL4030881SC	74	13
PJ046052503	42	52	RO036080200	40	40	SL4031091SC	32	50
PJ046052503	60	10	SB108000200	36	60	SL4031091SC	44	17
PJ046052503	70	38	SB108000500	30	26	SL4031091SC	52	34
PJ301040501	86	13	SB108000500	56	28	SL4032591SC	70	32
PJ301060003	70	33	SB110001300	56	29	SL4040681SC	12	60
PJ301060004	70	6	SB110002400	34	3	SL4040881SC	78	20·56·57
PJ301080001	70	19	SB110002400	46	52	SL4040881SC	80	20·56·57
PJ303040002	88	16	SB112001700	34	8	SL4040891SC	6	34
PJ303100002	70	8	SB120000900	16	1	SL4040891SC	12	48
PJ304040504	22	85	SB120001700	16	6	SL4040891SC	32	54
PJ304040504	38	9	SB120001800	16	4	SL4040891SC	36	66
PJ304040504	70	44	SB130000200	56	30	SL4040891SC	70	34
PJ304065101	70	29	SB130000300	56	31	SL4040891SC	78	59
PJ304105301	70	5	SB30800100A	34	33~36	SL4040891SC	80	59
PJ308040002	70	10	SB30800100B	34	33~36	SL4041081SC	80	62

NUMERICAL INDEX OF PARTS

PART NO	PAGE	REF NO.	PART NO	PAGE	REF NO.	PART NO	PAGE	REF NO.
SL4041091SC	2	64	SM4030455SP	34	23	SM6040602TP	6	43
SL4041091SC	4	64	SM4030601SN	2	36	SM6040602TP	22	52
SL4041091SC	12	54	SM4040655SP	2	42	SM6040602TP	32	56
SL4041091SC	52	42	SM4040655SP	14	21	SM6040602TP	36	58
SL4041091SC	78	16·54·55	SM4040655SP	64	44	SM6040602TP	48	42
SL4041091SC	80	16·54·55	SM4040855SP	2	43	SM6040602TP	52	36
SL4041091SE	74	19	SM4040855SP	14	20	SM6040602TP	56	69
SL4041691SC	2	14	SM4041055SP	2	38	SM6040602TP	58	69
SL4043591SC	78	25	SM4041055SP	14	23	SM6040650TP	2	48
SL4051091SC	70	24	SM4041055SP	56	37	SM6040650TP	4	48
SL6040692TN	66	69	SM4041201SC	72	22	SM6040650TP	10	35
SL6040892TN	2	34	SM4041255SP	14	33	SM6040650TP	14	22
SL6040892TN	38	6	SM4041255SP	62	22	SM6040650TP	34	29
SL6041692TN	36	63	SM4041655SP	14	24	SM6040650TP	44	45
SL6051092TN	22	48	SM4041655SP	40	42	SM6040650TP	48	21
SL6052592TN	16	41	SM4042055SP	56	38	SM6040650TP	52	39
SL6052592TN	56	35	SM4042501SC	72	23	SM6040800SP	28	52
SL6061692TN	10	34	SM4050655SP	14	31	SM6040802TP	10	23
SL6061692TN	66	75	SM4050655SP	62	3	SM6040802TP	22	76
SL6062592TN	60	26	SM4050855SP	12	46	SM6040802TP	46	51
SL6083092TN	78	10	SM4051055SP	2	45	SM6040802TP	52	46
SL6084092TN	4	56	SM4051255SP	56	39	SM6041002TP	52	45
SL9061291SE	10	25	SM4051405SE	72	24	SM6041150TP	6	27
SL9061293SE	64	12	SM4051655SP	46	50	SM6041150TP	56	41
SL9082093SE	64	13	SM4061255SP	2	2	SM6041202TP	4	59
SL9082093SE	70	25	SM5040550TP	40	45	SM6041202TP	48	40
SM1030601SP	14	19	SM5040655SN	6	24	SM6041202TP	56	43
SM1030601SP	16	21	SM5040855SN	10	16	SM6041402TP	30	21
SM1040650TP	10	31	SM6020250TP	36	48	SM6041402TP	52	15
SM1040650TP	44	3	SM6020350SP	48	13	SM6041602TP	56	34
SM1040650TP	88	6	SM6020450TP	48	37	SM6041802TP	56	42
SM1040800SP	4	62	SM6020460TP	34	38	SM6043002TN	70	3
SM1040801SP	14	18	SM6030402TP	20	32	SM6050800SP	28	68
SM1040870TP	2	11	SM6030450TP	20	34	SM6050800SP	58	52
SM1040870TP	42	54	SM6030500SN	4	65	SM6050800SP	60	19
SM1040870TP	52	16	SM6030502TP	52	27	SM6050802TP	30	45
SM1040870TP	62	28	SM6030600SP	20	97	SM6050802TP	66	60
SM1041400SP	2	61	SM6030600SP	24	97	SM6051000SP	20	43
SM1041400SP	4	61	SM6030602TP	48	44	SM6051000SP	52	18
SM1041400SP	40	22	SM6030602TP	52	11	SM6051000SP	60	28
SM2360110TP	48	20	SM6030802TP	28	67	SM6051002TP	20	54
SM3040652TN	38	13	SM6030802TP	52	12	SM6051002TP	22	54
SM4020600SP	48	18	SM6031202TN	38	2	SM6051002TP	30	43
SM4021201SC	10	43	SM6040460TP	36	61	SM6051002TP	42	47
SM4030401SC	14	16	SM6040600SP	22	71	SM6051200TP	22	56

NUMERICAL INDEX OF PARTS

PART NO	PAGE	REF NO.	PART NO	PAGE	REF NO.	PART NO	PAGE	REF NO.
SM6051202TP	20	42	SM80606A2TP	18	50	WP0431005SP	66	66
SM6051600SP	52	17	SM8060802TP	58	49	WP0450000SD	58	68
SM6051802TP	56	36	SM8060812TP	10	6	WP0450000SD	62	23
SM6051802TP	62	15	SM8060812TP	16	34	WP0450801SD	2	44
SM6052502TP	4	72	SM8060812TP	26	12	WP0450801SD	14	27
SM6060550TP	16	27	SM8060812TP	30	34	WP0450801SD	36	62
SM6060800SP	2	21	SM8060812TP	34	11	WP0450801SD	52	32
SM6060802TP	62	1	SM8060812TP	44	14	WP0450801SD	86	7~10
SM6061002TP	12	56	SM8060812TP	58	51	WP0450801SP	10	24
SM6061202TN	58	63	SM8061050TP	36	50	WP0450801SP	48	2
SM6061202TN	66	90	SM8061212TP	34	27	WP0450826SC	6	23
SM6061202TP	4	58	SM8061612TP	22	64	WP0450846SP	28	54
SM6061202TP	10	10	SM8082002TP	18	52	WP0450846SP	32	57
SM6061400SP	2	22	SM8480652TP	16	35	WP0450846SP	44	37
SM6061402TP	26	24	SM8480652TP	30	10	WP0482086SD	36	64
SM6061602TP	62	19	SM9050850SP	10	32	WP0482086SD	58	54
SM6061802TP	30	22	SM9051203CP	14	30	WP0501016SD	40	20
SM6061802TP	44	20	SM9087533SC	64	16	WP0501016SD	58	55
SM6084002TN	68	94	SS1060210TP	44	35	WP0520656SA	10	33
SM6084002TN	74	34	SS1110640TP	26	30	WP0520656SA	30	38
SM6086002TP	66	92	SS4110615SP	40	19	WP0522016SH	30	39
SM6086002TP	68	92	SS6060410TP	22	73	WP0522016SH	66	83
SM6107002TP	10	5	SS6090910SP	26	41	WP0531000SD	14	32
SM6450610TP	10	21	SS6110430TP	44	40	WP0531000SD	52	22
SM7030450SC	14	17	SS6111210SP	86	7~10	WP0531000SD	58	67
SM7751160TP	28	51	SS7090410SP	44	33	WP0531000SD	60	29
SM8030312TP	20	26	SS7090510SP	40	16	WP0531000SD	62	4
SM8030612TP	20	22	SS7110740TP	44	39	WP0531001SC	58	59
SM8040310SS	16	32	SS7111120TP	86	3~5	WP0531001SC	72	28
SM8040412TP	22	82	SS7111810TP	26	42	WP0531001SD	20	38
SM8040802TP	6	26	SS8110410TP	26	34	WP0550800SP	42	48
SM8050412TP	20	62	TA0550604R0	28	57	WP0553216SD	86	7~10
SM8050412TP	22	62	TA0670604R0	16	19	WP0611626SP	26	9
SM8050412TP	30	30	TA0750404R0	26	21	WP0611626SP	62	17
SM8050412TP	56	45	TA0850604R0	2	23	WP0612056SD	10	30
SM8050412TP	66	81	TA1050604R0	4	51	WP0641600SC	62	20
SM8050502TP	6	25	TA1100604R0	4	71	WP0651001SC	10	11
SM8050512TP	26	45	TA1250406R0	2	25	WP0651001SC	46	47
SM8050512TP	62	26	TA2351004R0	2	27	WP0651001SC	58	64
SM8050592TP	44	21	WP0320500SC	48	6	WP0820516SP	16	15
SM8050812TP	56	46	WP0320500SD	52	19	WP0820516SP	42	51
SM8050812TP	60	27	WP0320501SD	48	45	WP0841600SE	64	28
SM8060602TP	30	19	WP0320501SD	52	20	WP0841601SC	68	96
SM8060602TP	58	48	WP0330501SB	14	25	WP0841601SC	76	36
SM8060610TP	36	46	WP0430801SC	58	56	WP0841601SC	78	42

NUMERICAL INDEX OF PARTS

PART NO	PAGE	REF NO.
WP0850002SP	30	14
WP0850002SP	64	52
WP0850002SP	66	52
WP0852086SC	68	95
WP0852086SC	76	35
WP0871602SE	70	26
WP1022016SH	66	59
WP1052001SC	10	7
WP1221016SP	26	27
WP1612616SE	72	27
WS0410002KN	58	57
WS0451040KP	86	7~10
WS0510002KN	72	29
WS0610002KP	62	16
WS0610002KP	66	89
WS0820002KN	64	53
WS0820002KN	66	53
WS0820002KR	68	97
WS0820002KR	76	37
WS1020002KN	10	8
WZ0850302K0	30	28