

MODEL : LU-2828-6/LU-2828-7

List No : 1635-02

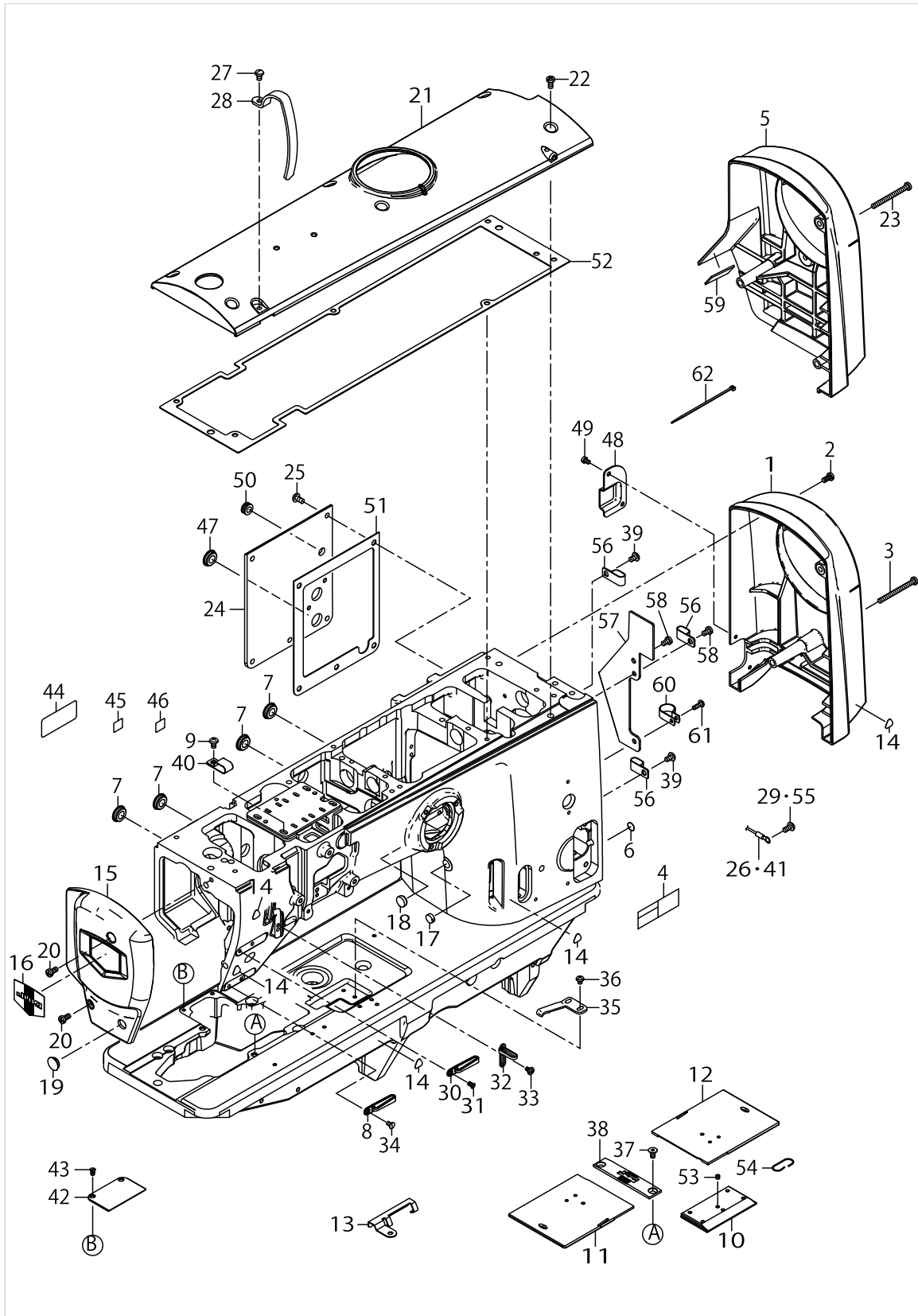
PARTS LIST

Published:05/12/2017

CONTENTS

| | |
|--|----|
| FRAME & MISCELLANEOUS COVER COMPONENTS | 1 |
| MAIN SHAFT & THREAD TAKE-UP LEVER COMPONENTS | 5 |
| NEEDLE BAR COMPONENTS | 9 |
| LOWER SHAFT COMPONENTS..... | 11 |
| OPENNER COMPONENTS | 15 |
| HOOK COMPONENTS..... | 17 |
| UPPER FEED COMPONENTS..... | 19 |
| HAND LIFTER & AUTO LIFTER COMPONENTS..... | 25 |
| LOWER FEED COMPONENTS | 27 |
| FEED ADJUST COMPONENTS..... | 31 |
| DL COMPONENTS..... | 37 |
| AUTO BT COMPONENTS (FOR LU-2828-7)..... | 39 |
| AUTO BT COMPONENTS (FOR LU-2828-6)..... | 41 |
| 6-RANGE SW COMPONENTS..... | 43 |
| SPEED ADJUST COMPONENTS (FOR LU-2828-7)..... | 45 |
| SPEED ADJUST COMPONENTS (FOR LU-2828-6)..... | 47 |
| THREAD CUTTING COMPONENTS..... | 49 |
| THREAD TENSION COMPONENTS | 53 |
| TENSION RELEASE COMPONENTS | 55 |
| PNEUMATIC COMPONENTS | 57 |
| NEEDLE THREAD CLAMP COMPONENTS | 59 |
| BOBBIN WINDER COMPONENTS..... | 61 |
| LUBRICATION COMPONENTS | 63 |
| THREAD STAND COMPONENTS..... | 67 |
| BOTTOM COVER & BELT COVER COMPONENTS | 69 |
| ACCESSORIES PARTS COMPONENTS | 71 |
| LIST FOR INFORMATION OF CHNGE..... | 73 |
| HOW TO MAKE USE OF THIS PARTS LIST | 74 |

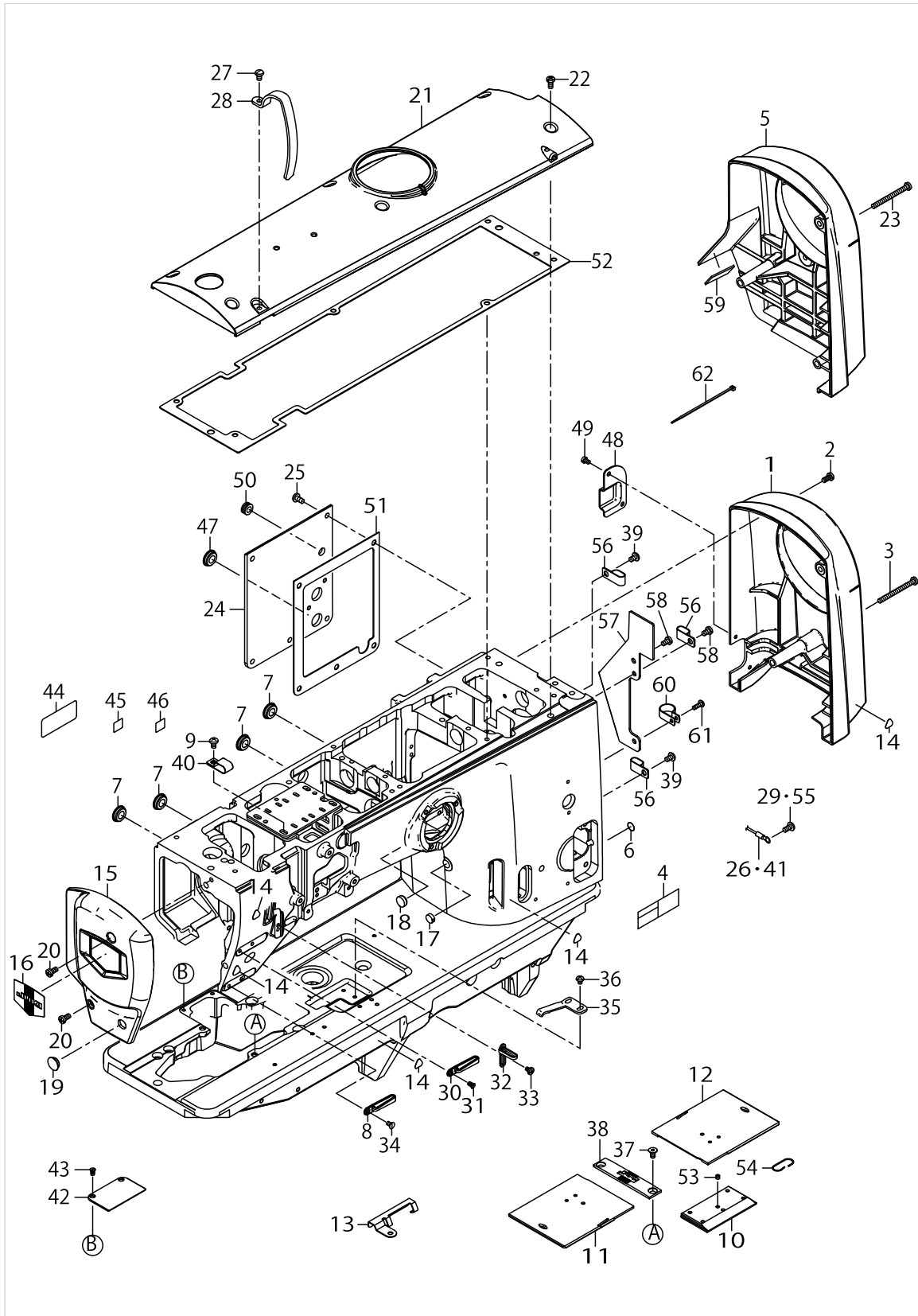
FRAME & MISCELLANEOUS COVER COMPONENTS



FRAME & MISCELLANEOUS COVER COMPONENTS

| No. | Supply Code | Parts No. | Replacement | Parts name | Remarks | Choice | Step | Level | Cons | Qty | Rep. QTY |
|-----|-------------|-------------|-------------|----------------------------|---------------|--------|------|-------|------|-----|----------|
| 1 | | 40149042 | | MOTOR_COVER_2820 | FOR LU-2828-7 | | | | | 1 | |
| 2 | | SM4051055SP | | SCREW | | | | | | 2 | |
| 3 | | SM4055501SC | | SCREW_M5X0.8_L=55 | FOR LU-2828-7 | | | | | 1 | |
| 4 | | 40102261 | | SAFETY_LABEL_S | | | | | | 1 | |
| 5 | | 40142336 | | BELT_COVER_A | FOR LU-2828-6 | | | | | 1 | |
| 6 | | 22901805 | | GROUND_MARK | | | | | | 1 | |
| 7 | | TA1650406R0 | | PRUG | | | | | | 4 | |
| 8 | | 40084142 | | THREAD_GUIDE_LOWER | | | | | ☆ | 1 | |
| 9 | | SM4050855SP | | SCREW | | | | | | 2 | |
| 10 | | 40147918 | | SLIDE_PLATE_FRONT | | | | | | 1 | |
| 11 | | 40127056 | | SLIDE_PLATE_2860R | | | | | | 1 | |
| 12 | | 40147944 | | SLIDE_PLATE_2810R | | | | | | 1 | |
| 13 | | 40134805 | | CABLE HOLDER | | | | | | 1 | |
| 14 | | CM300200001 | | ATTENTION_SEAL | | | | | | 5 | |
| 15 | | 40130704 | | FACE_PLATE | | | | | | 1 | |
| 16 | | 22902506 | | FACE_PLATE | | | | | | 1 | |
| 17 | | TA1030402R0 | | RUBBER_PLUG_D=10.3_L=4 | | | | | | 1 | |
| 18 | | TA1270502R0 | | RUBBER_PLUG | | | | | | 1 | |
| 19 | | TA1250406R0 | | RUBBER_PLUG_D=12.5_L=4 | | | | | | 1 | |
| 20 | | SM4051055SP | | SCREW | | | | | | 2 | |
| 21 | | 40130706 | | TOP_COVER | | | | | | 1 | |
| 22 | | SM4051055SP | | SCREW | | | | | | 6 | |
| 23 | | SM4055501SC | | SCREW_M5X0.8_L=55 | FOR LU-2828-6 | | | | | 2 | |
| 24 | | 40149040 | | APERTURE_COVER | | | | | | 1 | |
| 25 | | SM4051055SP | | SCREW | | | | | | 5 | |
| 26 | | 22951552 | | GROUND_WIRE_ASM. | FOR LU-2828-7 | | | | | 1 | |
| 27 | | SM4040855SP | | SCREW | | | | | | 1 | |
| 28 | | 40134834 | | THREAD_TAKE_UP_LEVER_COVER | | | | | | 1 | |
| 29 | | SM4051055SP | | SCREW | FOR LU-2828-7 | | | | | 1 | |
| 30 | | 40084142 | | THREAD_GUIDE_LOWER | | | | | ☆ | 1 | |
| 31 | | SM1040750TP | | SCREW_M4_L=7 | | | | | | 1 | |
| 32 | | 40126221 | | THREAD_GUIDE | | | | | ☆ | 1 | |
| 33 | | SM4040655SP | | SCREW_M4_L=6 | | | | | | 1 | |
| 34 | | SM1040750TP | | SCREW_M4_L=7 | | | | | | 1 | |
| 35 | | B1111563000 | | BED_SLIDE_SPRING | | | | | | 1 | |
| 36 | | SM4040655SP | | SCREW_M4_L=6 | | | | | | 2 | |
| 37 | | SM1051052TN | | PLATE_SCREW_M5_L=10 | | | | | | 2 | |
| 38 | | 40147939 | | THROAT_PLATE | | | | | | 1 | |
| 39 | | SM4050855SP | | SCREW | FOR LU-2828-6 | | | | | 4 | |
| 40 | | D2112555B00 | | CORD HOLDER_LARGE | FOR LU-2828-7 | | | | | 3 | |
| 41 | | 40142052 | | FG_CORD_ASM | FOR LU-2828-6 | | | | | 1 | |
| 42 | | 40131625 | | AUXILIARY_COVER | | | | | | 1 | |
| 43 | | SM1040750TP | | SCREW_M4_L=7 | | | | | | 2 | |
| 44 | D | 40094561 | | SEWING_MACHINE_LABEL_(EU) | FOR JE | | | | | 1 | |
| 45 | | CM600100101 | | WEEE_MARK_LABEL_S | FOR JE | | | | | 1 | |
| 46 | | 40150131 | | EAC_MARK_LABEL_S | FOR JE | | | | | 1 | |

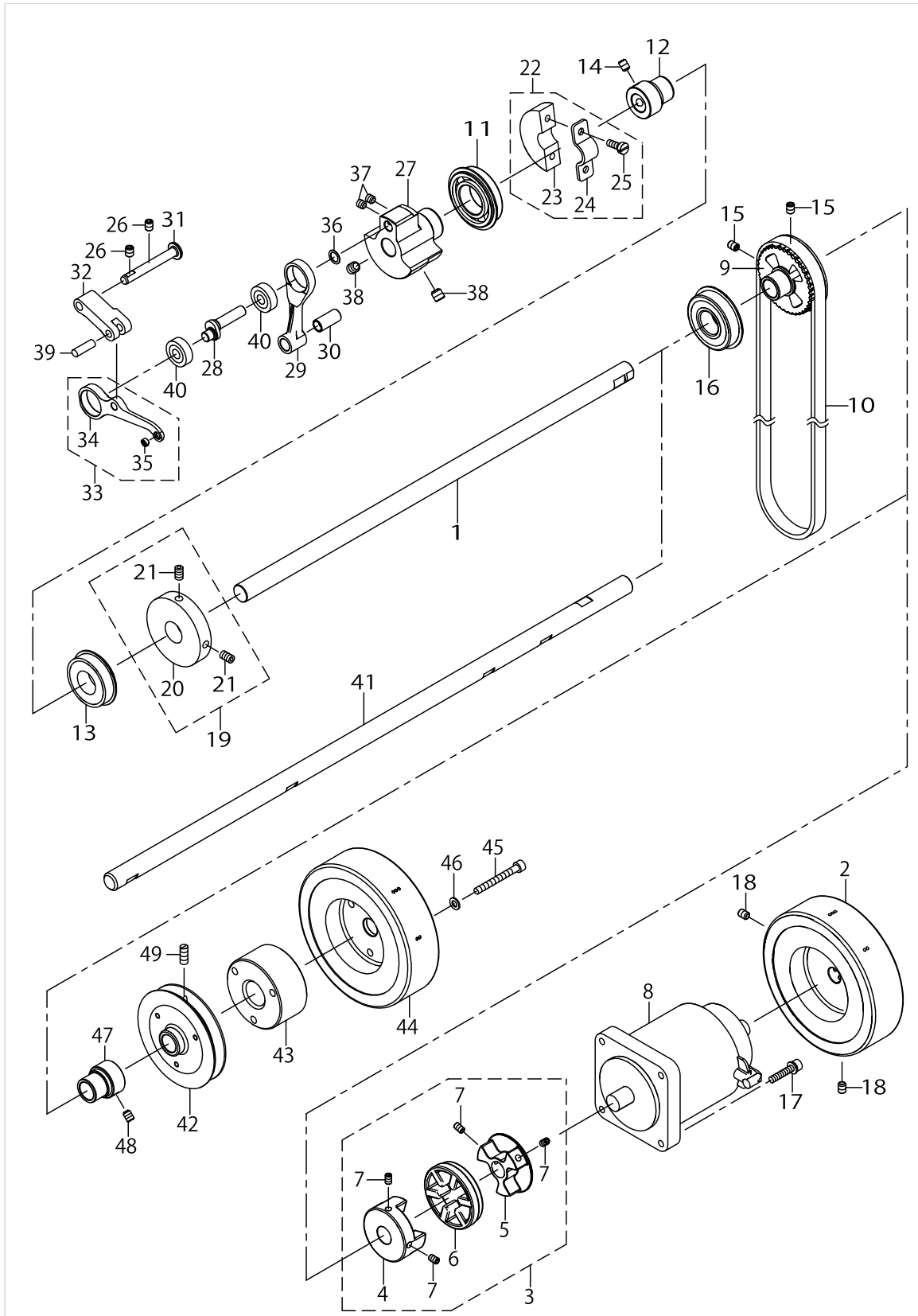
FRAME & MISCELLANEOUS COVER COMPONENTS



FRAME & MISCELLANEOUS COVER COMPONENTS

| No. | Supply Code | Parts No. | Replacement | Parts name | Remarks | Choice | Step | Level | Cons | Qty | Rep. QTY |
|-----|-------------|-------------|-------------|-----------------------------|---------------|--------|------|-------|------|-----|----------|
| 47 | | TA1650406R0 | | PRUG | | | | | | 1 | |
| 48 | | 40149041 | | ADDITIONAL_MOTOR_COVER_2820 | FOR LU-2828-7 | | | | | 1 | |
| 49 | | SM6040600SP | | SCREW_M4_L=6 | FOR LU-2828-7 | | | | | 2 | |
| 50 | D | HX00055000E | | RUBBER_BUSHING | | | | | | 1 | |
| 51 | | 40151799 | | WINDOW_PLATE_PACKING | | | | | | 1 | |
| 52 | | 40147919 | | TOP_COVER_PACKING | | | | | | 1 | |
| 53 | | SM8040412TP | | SET_SCREW_M4_L=4 | | | | | | 1 | |
| 54 | | B111105100B | | SPRING | | | | | | 1 | |
| 55 | | SM4040855SP | | SCREW | FOR LU-2828-6 | | | | | 1 | |
| 56 | | D2112555B00 | | CORD HOLDER_LARGE | FOR LU-2828-6 | | | | | 5 | |
| 57 | | 40142057 | | BELT_COVER_B | FOR LU-2828-6 | | | | | 1 | |
| 58 | | SM4050855SP | | SCREW | FOR LU-2828-6 | | | | | 2 | |
| 59 | | B2528845000 | | CHIP_GUARD_PLATE | FOR LU-2828-6 | | | | | 1 | |
| 60 | | HX00150000H | | CABLE_CLIP | FOR LU-2828-6 | | | | | 1 | |
| 61 | | SM4041255SP | | SCREW_M4_L=12 | FOR LU-2828-6 | | | | | 1 | |
| 62 | | EA9500B0100 | | CABLE_BAND | FOR LU-2828-6 | | | | | 6 | |

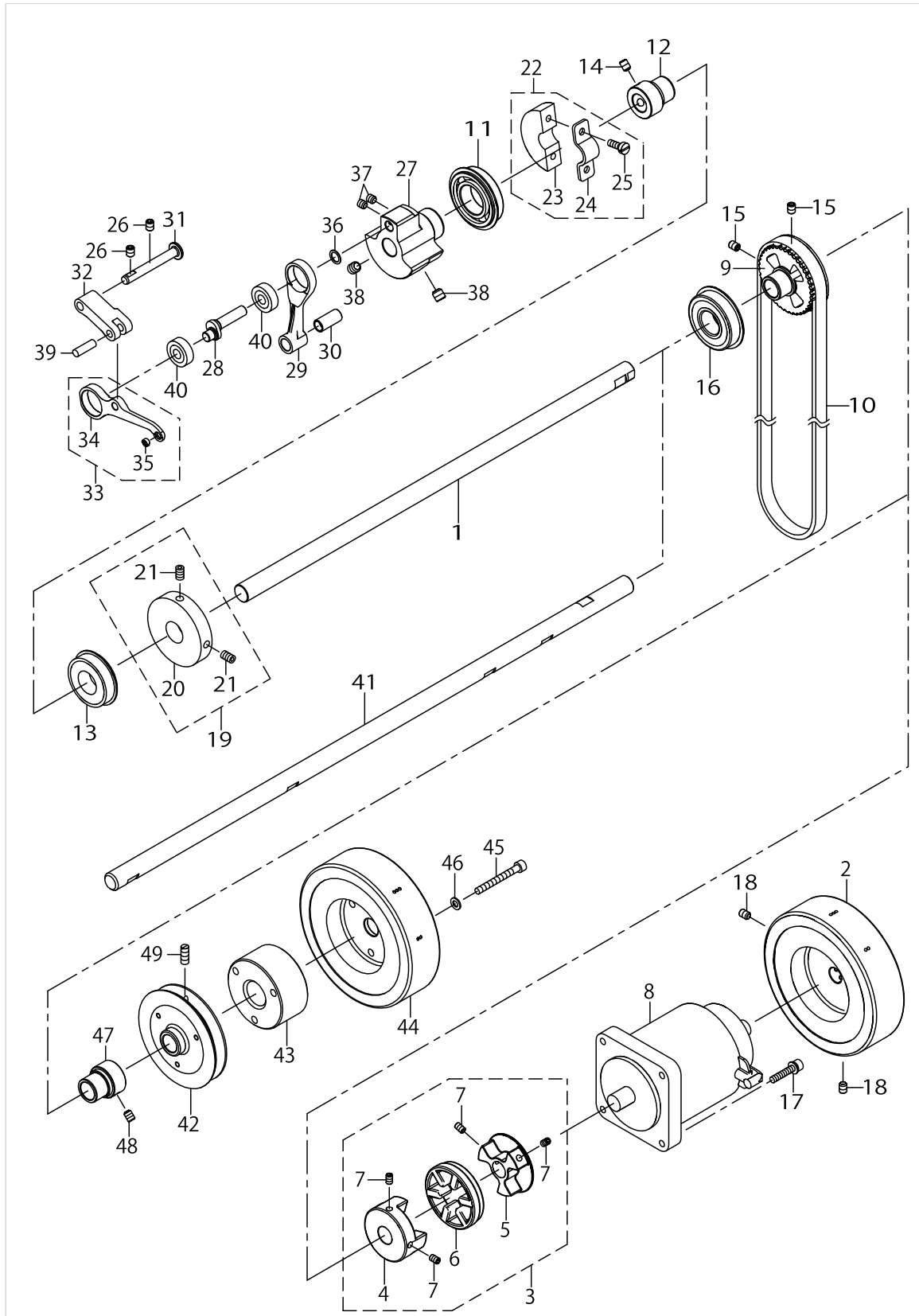
MAIN SHAFT & THREAD TAKE-UP LEVER COMPONENTS



MAIN SHAFT & THREAD TAKE-UP LEVER COMPONENTS

| No. | Supply Code | Parts No. | Replacement | Parts name | Remarks | Choice | Step | Level | Cons | Qty | Rep. QTY |
|-----|-------------|-------------|-------------|--------------------------------|---------------|--------|------|-------|------|-----|----------|
| 1 | | 40112087 | | MAIN_SHAFT_DD | FOR LU-2828-7 | | | | | 1 | |
| 2 | | 40130702 | | HAND_WHEEL | FOR LU-2828-7 | | | | | 1 | |
| 3 | | 40112312 | | COUPLING_ASSY | FOR LU-2828-7 | | | | | 1 | |
| 4 | R | 40130277 | 40112312 | HUB_L | FOR LU-2828-7 | | | * | | 1 | 1.00 |
| 5 | | 40112106 | | HUB_R | FOR LU-2828-7 | | | * | | 1 | |
| 6 | R | 40125950 | 40112312 | SPIDER | FOR LU-2828-7 | | | * | | 1 | 1.00 |
| 7 | | SM8050812TP | | SCREW_M5X8 | FOR LU-2828-7 | | | * | | 4 | |
| 8 | | 40151488 | | SERVO_MOTOR_550W | FOR LU-2828-7 | | | | | 1 | |
| 9 | | 40126321 | | SPROCKET_UPPER | | | | | | 1 | |
| 10 | | 40112274 | | TIMING_BELT | | | | | ☆ | 1 | |
| 11 | | 40143083 | | BEARING | | | | | | 1 | |
| 12 | | 23605207 | | MAIN_SHAFT_BEARING_SUPPORT | | | | | | 1 | |
| 13 | | SB120001800 | | BEARING | | | | | | 1 | |
| 14 | | SM80608A2TP | | SCREW_M6_L=8 | | | | | | 2 | |
| 15 | | SM8060812TP | | SCREW_M6_L=8 | | | | | | 2 | |
| 16 | | 40143088 | | BEARING | | | | | | 1 | |
| 17 | | SL6052592TN | | BOLT | FOR LU-2828-7 | | | | | 4 | |
| 18 | | SM8060812TP | | SCREW_M6_L=8 | FOR LU-2828-7 | | | | | 2 | |
| 19 | | 40010533 | | BTW_DRIVING_WHEEL_ASM | | | | | | 1 | |
| 20 | R | 40010534 | 40010533 | BTW_DRIVING_WHEEL | | | | * | | 1 | 1.00 |
| 21 | | 40010535 | | DRIVING_WHEEL_SCREW | | | | * | | 2 | |
| 22 | | 40010437 | | CRANK_BALANCER_ASM | | | | | | 1 | |
| 23 | R | 40010438 | 40010437 | CRANK_BALANCER | | | | * | | 1 | 1.00 |
| 24 | | 40010439 | | CRANK_BALANCER_FIX_PLATE | | | | * | | 1 | |
| 25 | | 40010440 | | CRANK_BALANCER_FIX_PLATE_SCREW | | | | * | | 2 | |
| 26 | | SM8060812TP | | SCREW_M6_L=8 | | | | | | 2 | |
| 27 | | 40112091 | | COUNTER_WEIGHT | | | | | | 1 | |
| 28 | | 40112092 | | NEEDLE_BAR_CRANK | | | | | | 1 | |
| 29 | | 40112093 | | NEEDLE_BAR_CRANK_ROD | | | | | | 1 | |
| 30 | | 40112094 | | CRANK_ROD_BUSH | | | | | | 1 | |
| 31 | | 40011902 | | THREAD_TAKE_UP_CRANK_SHAFT | | | | | | 1 | |
| 32 | | 40125930 | | TAKE_UP_LEVER_CRANK | | | | | | 1 | |
| 33 | | 40134545 | | THREAD_TAKE_UP_ASM | | | | | | 1 | |
| 34 | | 40134532 | | THREAD_TAKE_UP | | | | * | | 1 | |
| 35 | | 10546901 | | BUSH | | | | * | | 1 | |
| 36 | | WP0820516SP | | WASHER_11.6X8.2X0.6 | | | | | | 1 | |
| 37 | | SM8060612TP | | SCREW_M6_L=6 | | | | | | 2 | |
| 38 | | SM8080812TP | | SCREW_M8X8 | | | | | | 2 | |
| 39 | | 10721504 | | FEED_ADJUSTING_PIN | | | | | | 1 | |
| 40 | | SB108002400 | | BEARING | | | | | | 2 | |
| 41 | | 40139477 | | MAIN_SHAFT | FOR LU-2828-6 | | | | | 1 | |
| 42 | | 40139478 | | HAND_WHEEL_A | FOR LU-2828-6 | | | | | 1 | |
| 43 | | 40139480 | | HAND_WHEEL_WASHER | FOR LU-2828-6 | | | | | 1 | |
| 44 | | 40139479 | | HAND_WHEEL | FOR LU-2828-6 | | | | | 1 | |
| 45 | | SM6054502TN | | SCREW | FOR LU-2828-6 | | | | | 3 | |
| 46 | | WP0531001SC | | WASHER_M5 | FOR LU-2828-6 | | | | | 3 | |

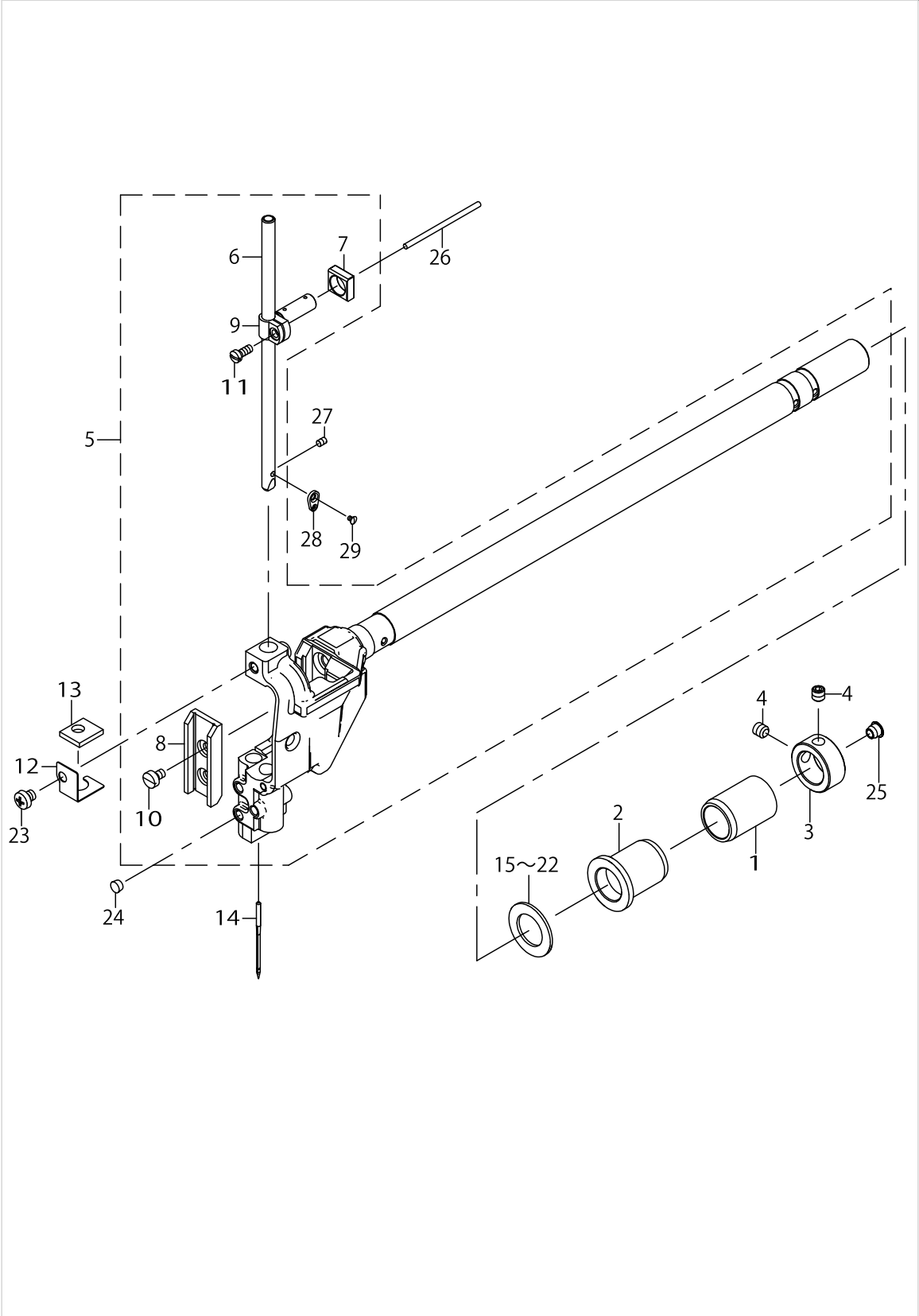
MAIN SHAFT & THREAD TAKE-UP LEVER COMPONENTS



MAIN SHAFT & THREAD TAKE-UP LEVER COMPONENTS

| No. | Supply Code | Parts No. | Replacement | Parts name | Remarks | Choice | Step | Level | Cons | Qty | Rep. QTY |
|-----|-------------|-------------|-------------|---------------------|---------------|--------|------|-------|------|-----|----------|
| 47 | | 23605207 | | MAIN_SHAFT_BEARING | FOR LU-2828-6 | | | | | 1 | |
| 48 | | SM80608A2TP | | SCREW_M6_L=8 | FOR LU-2828-6 | | | | | 2 | |
| 49 | | SS8151550SP | | SCREW_15/64-28_L=15 | FOR LU-2828-6 | | | | | 2 | |

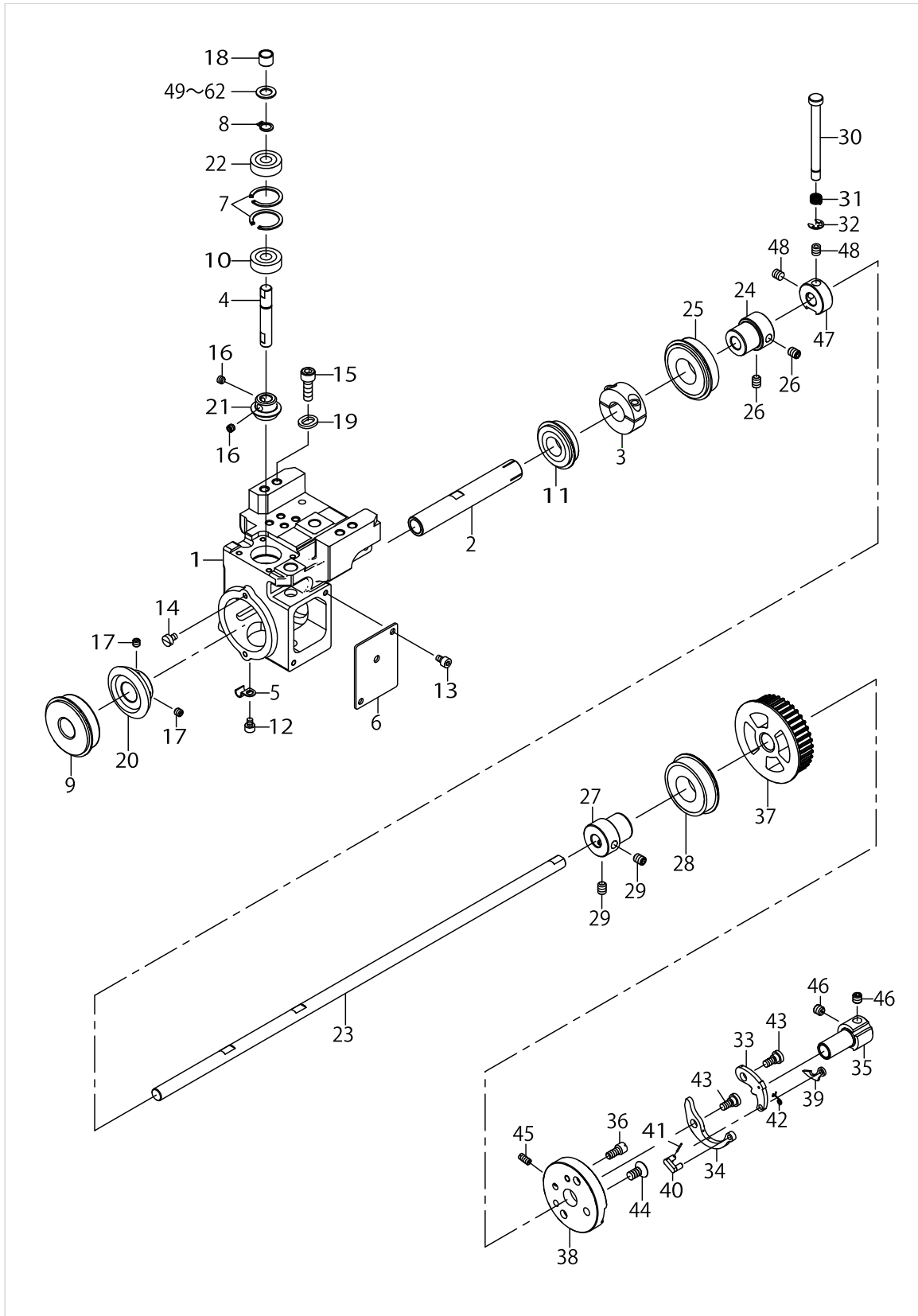
NEEDLE BAR COMPONENTS



NEEDLE BAR COMPONENTS

| No. | Supply Code | Parts No. | Replacement | Parts name | Remarks | Choice | Step | Level | Cons | Qty | Rep. QTY |
|-----|-------------|-------------|-------------|--------------------------------|-----------------|--------|------|-------|------|-----|----------|
| 1 | | 40010709 | | NF_SHAFT_BUSH_R | | | | | | 1 | |
| 2 | | 40152451 | | BUSHING | | | | | | 1 | |
| 3 | | CS1701181TP | | THRUST_COLLAR_D=17_W=11 | | | | | | 1 | |
| 4 | | SM8060612TP | | SCREW_M6_L=6 | | | | | | 2 | |
| 5 | | 40126402 | | N_B_ROCKING_BASE_ASM_2810E | | | | | | 1 | |
| 6 | | 40143220 | | NEEDLE_BAR_2810A | | | | * | | 1 | |
| 7 | | 40112152 | | NEEDLE_ROD_SQUARE_BLOCK | | | | * | | 1 | |
| 8 | | 40127041 | | NEEDLE_BAR_GUIDE | | | | * | | 1 | |
| 9 | | 40112273 | | NEEDLE_BAR_CONNECTION | | | | * | | 1 | |
| 10 | | SM6040650TP | | SCREW | | | | * | | 2 | |
| 11 | | SS7090910TP | | SCREW_9/64-40_L=8.5 | | | | * | | 1 | |
| 12 | | 40112270 | | FELT HOLDER | | | | | | 1 | |
| 13 | | 40112272 | | NEEDLE_BAR_FELT_E | | | | | | 1 | |
| 14 | | MC321001400 | | NEEDLE_134-35_#140 | | | | | ☆ | 1 | |
| 15 | | B1438512B00 | | WASHER_17.1X28X1.5 | SELECTIVE PARTS | | | | | 1 | |
| 16 | | 22606206 | | SPACER_Y | SELECTIVE PARTS | | | | | 1 | |
| 17 | | 22606305 | | SPACER_Z | SELECTIVE PARTS | | | | | 1 | |
| 18 | | 22607600 | | SPACER_A | SELECTIVE PARTS | | | | | 1 | |
| 19 | | 22607709 | | SPACER_B | SELECTIVE PARTS | | | | | 1 | |
| 20 | | 22607808 | | SPACER_D | SELECTIVE PARTS | | | | | 1 | |
| 21 | | 22607907 | | SPACER_E | SELECTIVE PARTS | | | | | 1 | |
| 22 | | 22606404 | | SPACER_F | SELECTIVE PARTS | | | | | 1 | |
| 23 | | SM4050501SC | | SCREW_M5X0.8_L=5 | | | | | | 1 | |
| 24 | | TA0500301R0 | | PLUG_5X5.8_L=3 | | | | | | 4 | |
| 25 | | TA0620504R0 | | CAP | | | | | | 1 | |
| 26 | | CQ252000000 | | OIL_WICK | | | | | | .05 | |
| 27 | | SS8080410TP | | SCREW_1/8-44_L=3.5 | | | | | ☆ | 1 | |
| 28 | | 40143221 | | NEEDLE_BAR_THRE-AD_GUIDE_2810A | | | | | ☆ | 1 | |
| 29 | | SS2060310SP | | SCREW_3/32-56_L=3 | | | | | | 1 | |

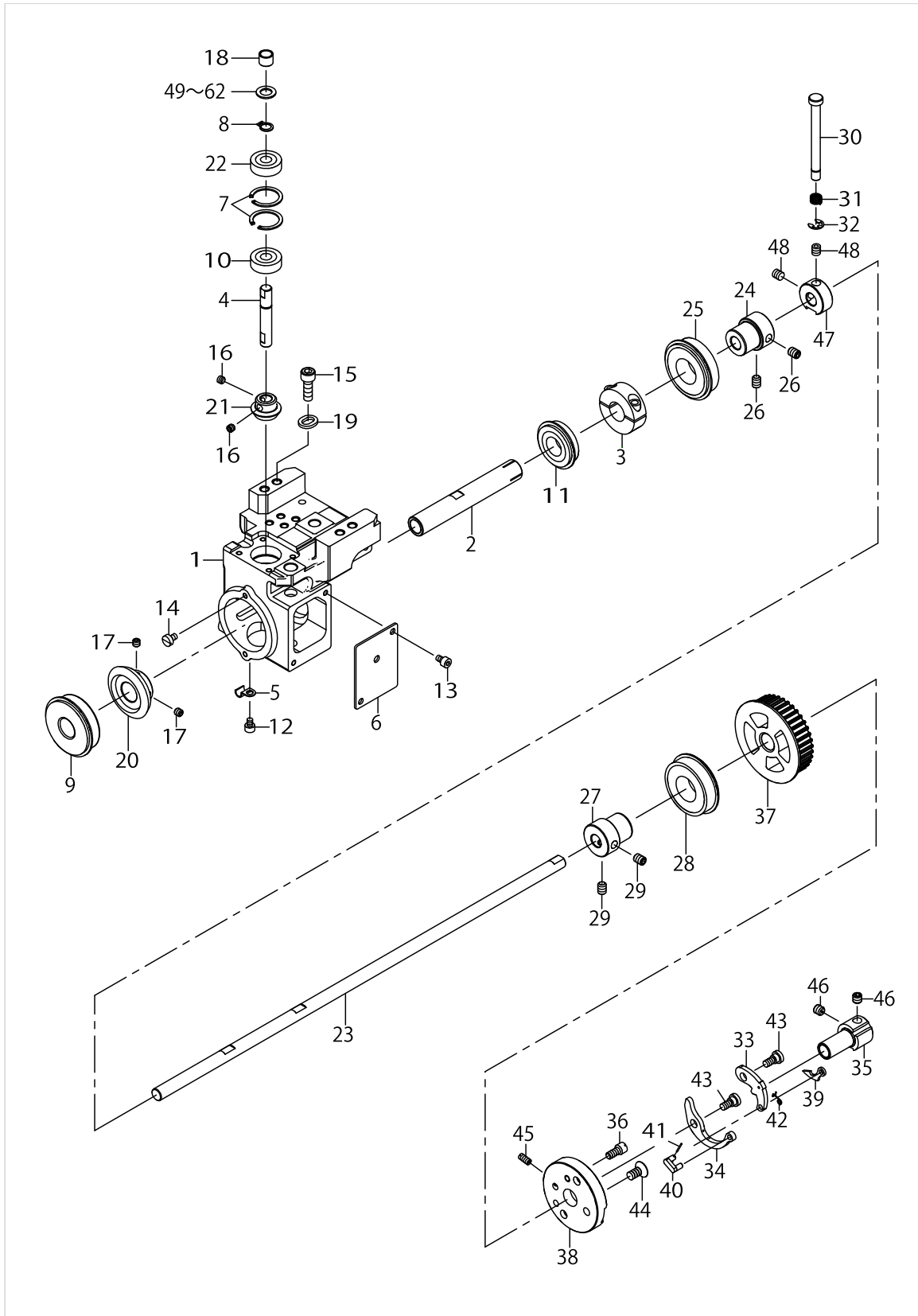
LOWER SHAFT COMPONENTS



LOWER SHAFT COMPONENTS

| No. | Supply Code | Parts No. | Replacement | Parts name | Remarks | Choice | Step | Level | Cons | Qty | Rep. QTY |
|-----|-------------|-------------|-------------|------------------------------|---------|--------|------|-------|------|-----|----------|
| 1 | | 40131629 | | HOOK_SHAFT_BASE_RIGHT_2820 | | | | | | 1 | |
| 2 | | 40112253 | | LOWER_SHAFT_C | | | | | | 1 | |
| 3 | | 40152295 | | LOWER_SHAFT_SET_COLLAR | | | | | | 1 | |
| 4 | | 40126381 | | HOOK_SHAFT | | | | | | 1 | |
| 5 | | B3538112000 | | OIL_RETURN_TUBE HOLDER | | | | | | 2 | |
| 6 | | 40123340 | | HOOK_SHAFT_BASE_SIDE_PLATE | | | | | | 1 | |
| 7 | | RC2351018KP | | RETAINIG_PIN_23.5 | | | | | | 2 | |
| 8 | | RC0740816K0 | | RETAINING_RING | | | | | | 1 | |
| 9 | | 40143084 | | BEARING | | | | | | 1 | |
| 10 | | 40143086 | | BEARING | | | | | | 1 | |
| 11 | | 40143082 | | BEARING | | | | | | 1 | |
| 12 | | SM6040502TP | | SCREW_M4X0.7_L=5 | | | | | | 2 | |
| 13 | | SM6040602TP | | SCREW_M4_L=6 | | | | | | 2 | |
| 14 | | SM6040650TP | | SCREW | | | | | | 2 | |
| 15 | | SM6061802TP | | SCREW_M6_L=18 | | | | | | 2 | |
| 16 | | SM8050412TP | | SCREW_M5_L=4 | | | | | | 2 | |
| 17 | | SM80506A2TP | | SCREW M5 L=6 | | | | | | 2 | |
| 18 | | 40126382 | | HOOK_SHAFT_COLLAR | | | | | | 1 | |
| 19 | | 40139043 | | HOOK_SHAFT_BASE_WASHER_2810 | | | | | | 2 | |
| 20 | | 40126372 | | LOWER_SHAFT_GEAR | | | | | | 1 | |
| 21 | | 40112242 | | HOOK_SHAFT_GEAR | | | | | | 1 | |
| 22 | | 40143086 | | BEARING | | | | | | 1 | |
| 23 | | 40126365 | | LOWER_SHAFT_1N | | | | | | 1 | |
| 24 | | 40123247 | | BEARING_COLLAR | | | | | | 1 | |
| 25 | | SB120001800 | | BEARING | | | | | | 1 | |
| 26 | | SM8060812TP | | SCREW_M6_L=8 | | | | | | 2 | |
| 27 | | 40123247 | | BEARING_COLLAR | | | | | | 1 | |
| 28 | | SB120001800 | | BEARING | | | | | | 1 | |
| 29 | | SM8060812TP | | SCREW_M6_L=8 | | | | | | 2 | |
| 30 | | 40112240 | | SAFETY_REVERSE_BUTTON | | | | | | 1 | |
| 31 | | B1639051000 | | SPRING | | | | | | 1 | |
| 32 | | RE0500000K0 | | E-RING | | | | | | 1 | |
| 33 | | 21387600 | | SAFETY_CLUTCH_HOOK | | | | | | 1 | |
| 34 | | 21387709 | | SAFETY_CLUTCH_SPRING | | | | | | 1 | |
| 35 | | 21387808 | | SAFETY_BASE | | | | | | 1 | |
| 36 | | 21387907 | | ADJUSTING_PIN_(1.2) | | | | | | 1 | |
| 37 | | 40125862 | | LOWER_SHAFT_SPROCKET | | | | | | 1 | |
| 38 | | 40126366 | | CLUTCH_BASE | | | | | | 1 | |
| 39 | | B1308055000 | | SAFETY_CLUTCH_COUNTER-HOOK | | | | | | 1 | |
| 40 | | B1310055000 | | SAFETY_CLUTCH_SMALL_LINK | | | | | | 1 | |
| 41 | | B1314055000 | | SAFETY_CLUTCH_SMALL_LINK_PIN | | | | | | 1 | |
| 42 | | 40113224 | | COUNTER_HOOK_SPRING | | | | | | 1 | |
| 43 | | SD0640322TP | | HINGE_SCREW_D=6.35_H=3.2 | | | | | | 2 | |
| 44 | | SM1061201SN | | SCREW_M6_L=12 | | | | | | 2 | |
| 45 | | SS8111010TP | | SCREW_11/64-40_L=9.5 | | | | | | 1 | |
| 46 | | SS8660612TP | | SCREW_1/4-40_L=6 | | | | | | 2 | |

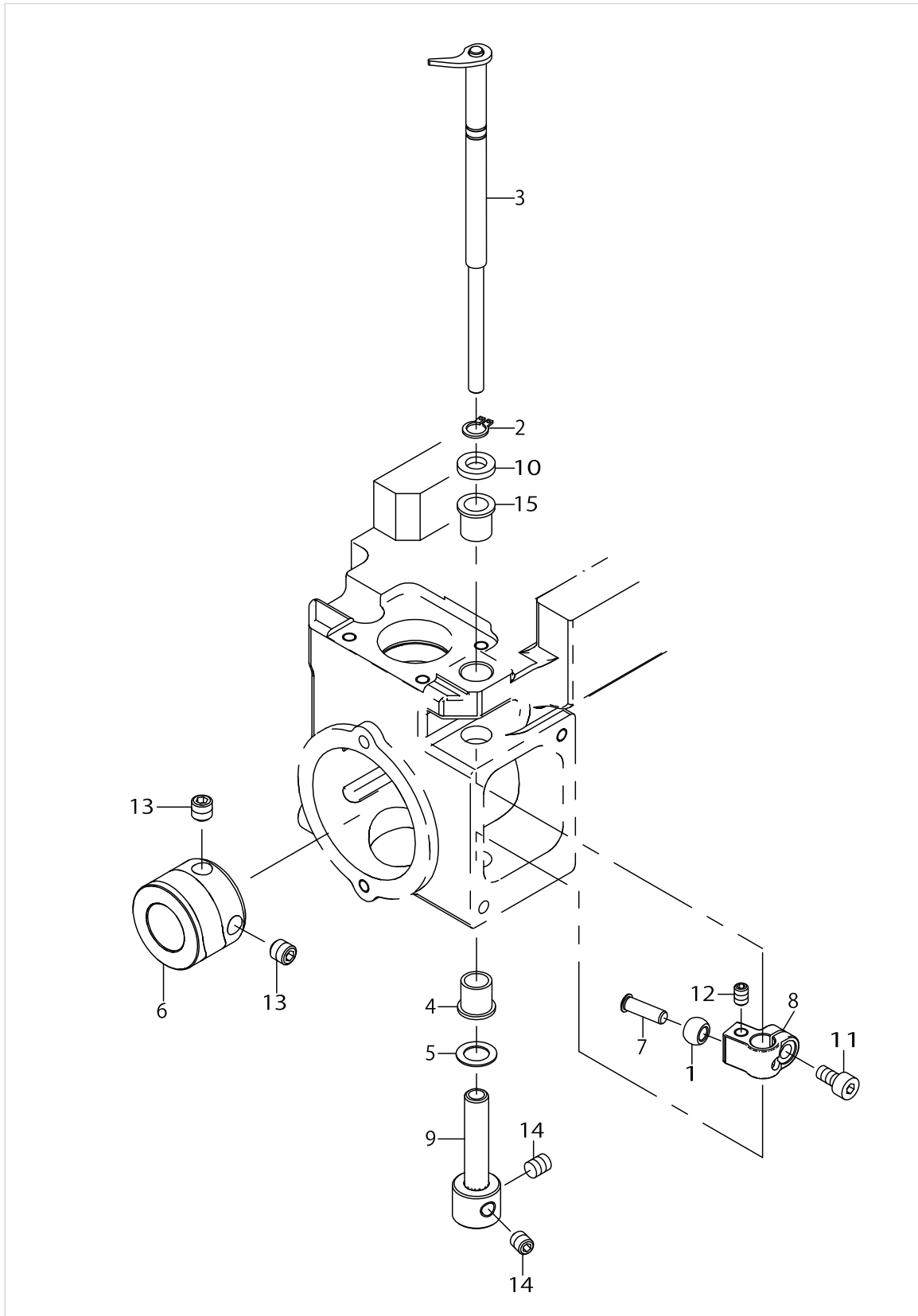
LOWER SHAFT COMPONENTS



LOWER SHAFT COMPONENTS

| No. | Supply Code | Parts No. | Replacement | Parts name | Remarks | Choice | Step | Level | Cons | Qty | Rep. QTY |
|-----|-------------|-------------|-------------|--------------------|-----------------|--------|------|-------|------|-----|----------|
| 47 | | 21333901 | | SAFETY_CLUTCH_DISC | | | | | | 1 | |
| 48 | | SS8660612TP | | SCREW_1/4-40_L=6 | | | | | | 2 | |
| 49 | | B255728000A | | WASHER_A | SELECTIVE PARTS | | | | | 1 | |
| 50 | | B255728000B | | WASHER_B | SELECTIVE PARTS | | | | | 1 | |
| 51 | | B255728000C | | WASHER_C | SELECTIVE PARTS | | | | | 1 | |
| 52 | | B255728000D | | WASHER_D | SELECTIVE PARTS | | | | | 1 | |
| 53 | | B255728000E | | WASHER_E | SELECTIVE PARTS | | | | | 1 | |
| 54 | | 40138418 | | WASHER_T=1.3 | SELECTIVE PARTS | | | | | 1 | |
| 55 | | 40138419 | | WASHER_T=1.4 | SELECTIVE PARTS | | | | | 1 | |
| 56 | | 40138420 | | WASHER_T=1.5 | SELECTIVE PARTS | | | | | 1 | |
| 57 | | 40138421 | | WASHER_T=1.6 | SELECTIVE PARTS | | | | | 1 | |
| 58 | | 40138422 | | WASHER_T=1.7 | SELECTIVE PARTS | | | | | 1 | |
| 59 | | 40138423 | | WASHER_T=1.8 | SELECTIVE PARTS | | | | | 1 | |
| 60 | | 40143185 | | WASHER_T=0.5 | SELECTIVE PARTS | | | | | 1 | |
| 61 | | 40143188 | | WASHER_T=0.6 | SELECTIVE PARTS | | | | | 1 | |
| 62 | | 40143581 | | WASHER_T=0.7 | SELECTIVE PARTS | | | | | 1 | |

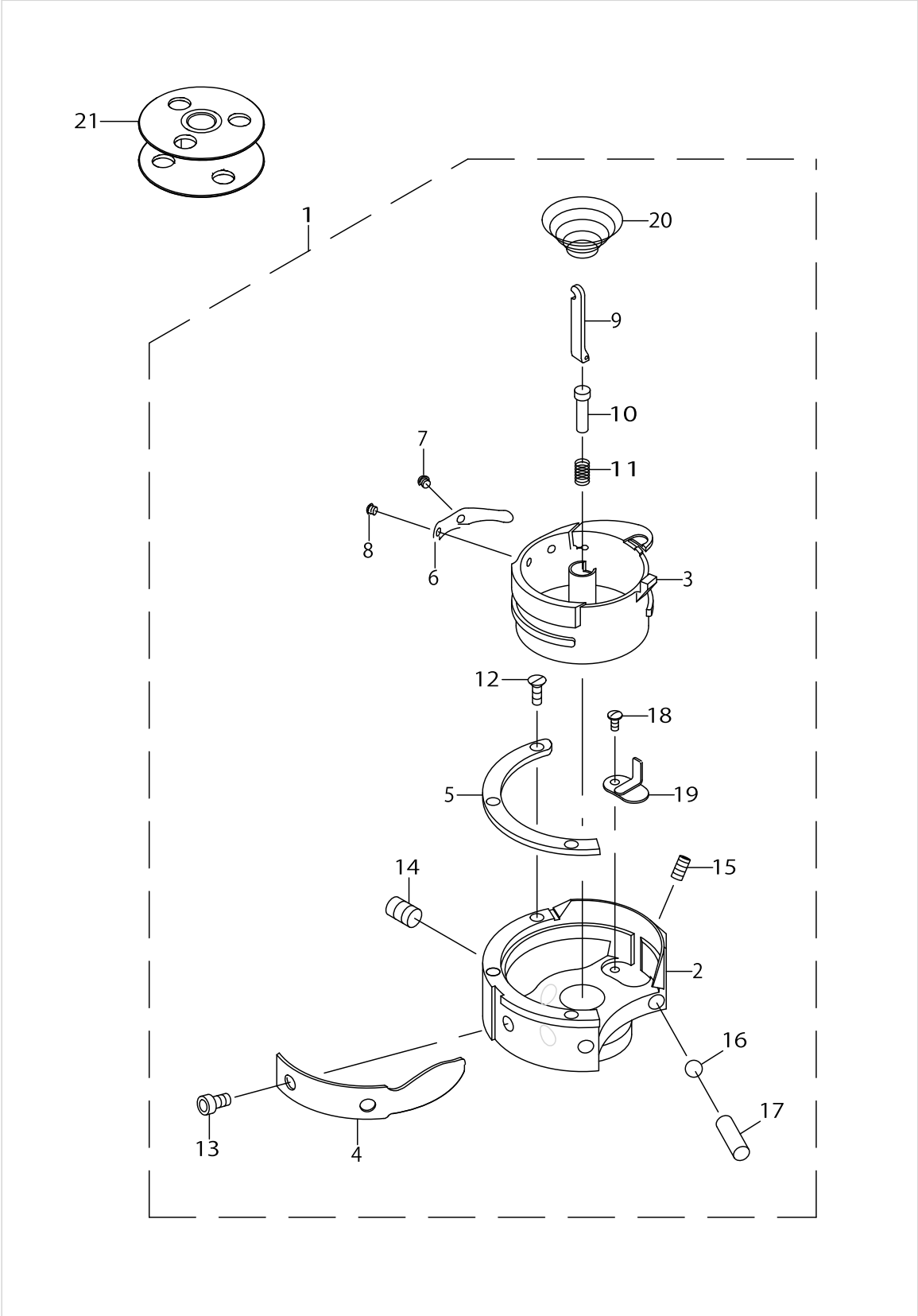
OPENNER COMPONENTS



OPENNER COMPONENTS

| No. | Supply Code | Parts No. | Replacement | Parts name | Remarks | Choice | Step | Level | Cons | Qty | Rep. QTY |
|-----|-------------|-------------|-------------|-------------------------|---------|--------|------|-------|------|-----|----------|
| 1 | | 40126351 | | OPENER_CAM_ROLLER | | | | | | 1 | |
| 2 | | RC0560711KP | | RETAINING_RING | | | | | | 1 | |
| 3 | | 40147915 | | OPENER_ASM_XXL | | | | | ☆ | 1 | |
| 4 | | 40135473 | | METAL | | | | | | 1 | |
| 5 | | WP0740516SP | | WASHER_7.4X11.8X0.5 | | | | | | 1 | |
| 6 | | 40126391 | | OPENER_CAM_R | | | | | | 1 | |
| 7 | | 40126360 | | OPENER_CAM_ROLLAR_SHAFT | | | | | | 1 | |
| 8 | | 40135475 | | OPENER_DRIVING_ARM | | | | | | 1 | |
| 9 | | 40135472 | | JUNCTION_SHAFT_COLLAR | | | | | | 1 | |
| 10 | | WP0612066SP | | WASHER_6.1X11X2 | | | | | | 1 | |
| 11 | | SM6040802TP | | SCREW_M4X0.7_L=8 | | | | | | 1 | |
| 12 | | SM8040612TP | | SCREW_M4_L=6 | | | | | | 1 | |
| 13 | | SM8060612TP | | SCREW_M6_L=6 | | | | | | 2 | |
| 14 | | SM8050612TP | | SCREW_M5X6 | | | | | | 2 | |
| 15 | | 40112252 | | OPENER_METAL | | | | | | 1 | |

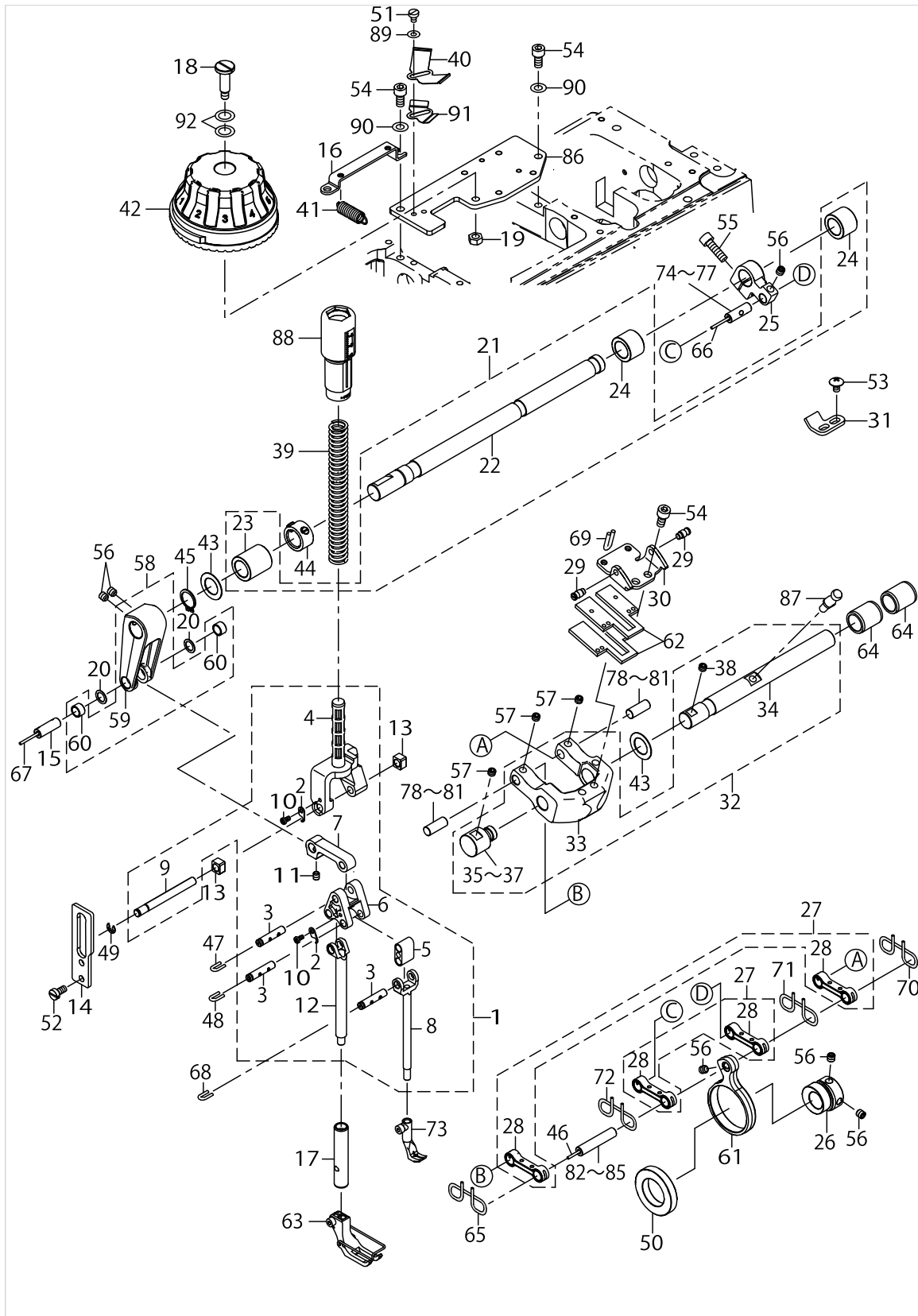
HOOK COMPONENTS



HOOK COMPONENTS

| No. | Supply Code | Parts No. | Replacement | Parts name | Remarks | Choice | Step | Level | Cons | Qty | Rep. QTY |
|-----|-------------|-----------|-------------|------------------------------------|---------|--------|------|-------|------|-----|----------|
| 1 | | 40147912 | | TRIM_HOOK_ASM_XXL_ST | | | | | ☆ | 1 | |
| 2 | | 40149030 | | OUTER_HOOK | | | | * | | 1 | |
| 3 | | 40149047 | | INNER_HOOK | | | | * | | 1 | |
| 4 | | 40149032 | | NEEDLE HOLDER | | | | * | | 1 | |
| 5 | | 40149033 | | INNER_HOOK HOLDER | | | | * | | 1 | |
| 6 | | 40079898 | | TENTION_SPRING | | | | * | | 1 | |
| 7 | | 40079899 | | ADJUSTING_SCREW | | | | * | | 1 | |
| 8 | | 40079900 | | TENTION_SPRING_SETSCREW | | | | * | | 1 | |
| 9 | | 40149034 | | BOBBIN_PRESSER | | | | * | | 1 | |
| 10 | | 40079902 | | PRESSER_LIFTER | | | | * | | 1 | |
| 11 | | 40079903 | | PRESSER_LIFTER_SPRING | | | | * | | 1 | |
| 12 | | 40149035 | | INNER_HOOK HOLDER_SETSCREW | | | | * | | 3 | |
| 13 | | 40149036 | | NEEDLE HOLDER_SETSCREW | | | | * | | 2 | |
| 14 | | 40075542 | | OUTER_HOOK_SETSCREW | | | | * | | 2 | |
| 15 | | 40079909 | | NEEDLE HOLDER_A- DJUSTING_SCREW | | | | * | | 1 | |
| 16 | | 40148037 | | BALL | | | | * | | 1 | |
| 17 | | 40149037 | | SLIDE_PIN | | | | * | | 1 | |
| 18 | | 40075547 | | OIL_COVER_SETSCREW | | | | * | | 1 | |
| 19 | | 40075548 | | OIL_COVER | | | | * | | 1 | |
| 20 | | 40079912 | | IDLING_PRIVENTION_SPRING | | | | * | | 1 | |
| 21 | | 40147913 | | BOBBIN_XXL | | | | | ☆ | 1 | |

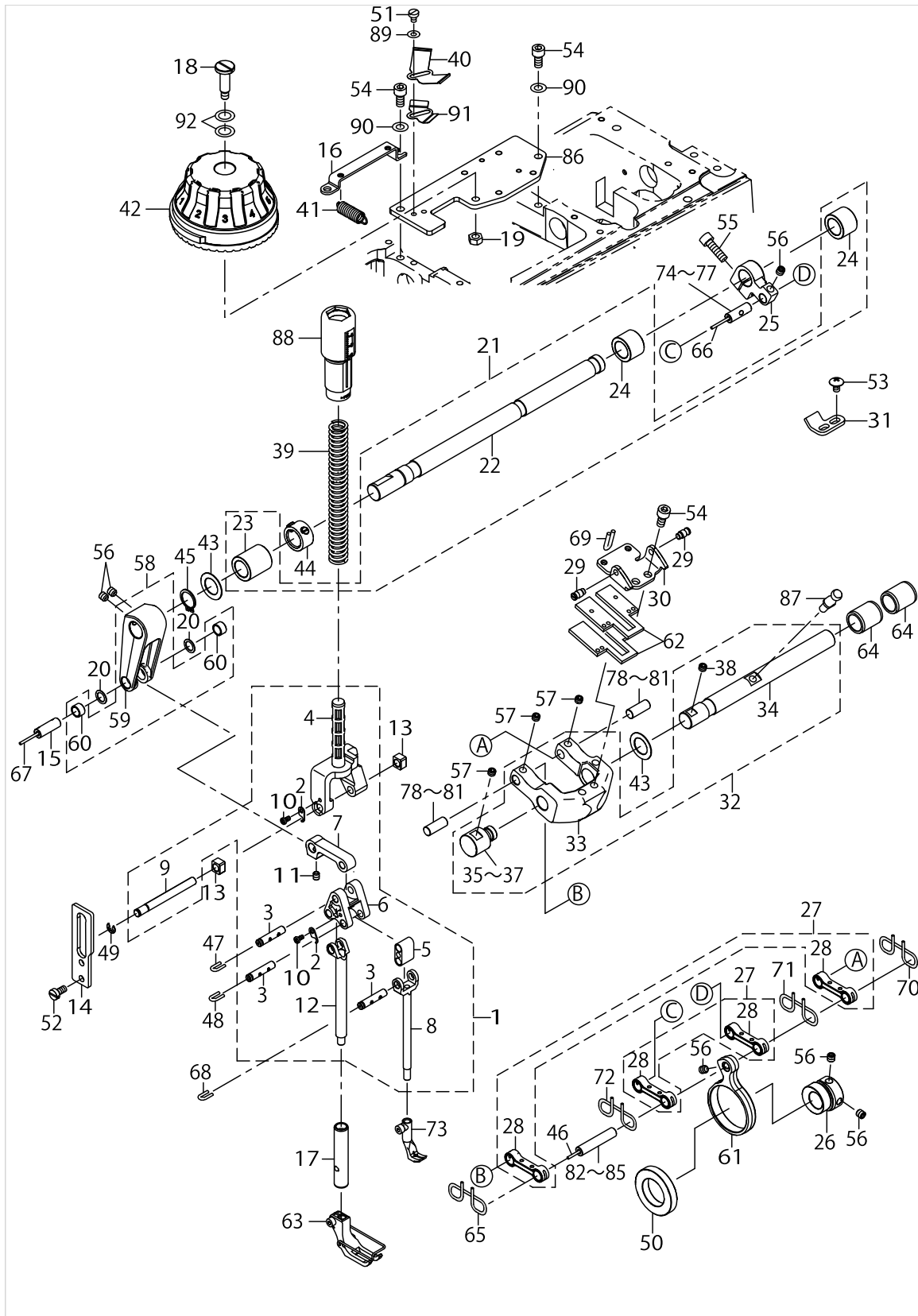
UPPER FEED COMPONENTS



UPPER FEED COMPONENTS

| No. | Supply Code | Parts No. | Replacement | Parts name | Remarks | Choice | Step | Level | Cons | Qty | Rep. QTY |
|-----|-------------|-------------|-------------|--------------------------------|-----------------|--------|------|-------|------|-----|----------|
| 1 | | 40144289 | | UPPER_FEED_F_ASM_E | | | | | | 1 | |
| 2 | | 10710804 | | TRIANGLE_LEVER_S-HAFT_STOPPER | | | | * | | 2 | |
| 3 | | 40112176 | | CONNECTION_PIN | | | | * | | 3 | |
| 4 | R | 40144287 | 40144289 | SPRING_RECEIVING_E_ASM | | | | * | | 1 | 1.00 |
| 5 | | 40176628 | | WALKING_BAR_DRIVING_LINK | | | | * | | 1 | |
| 6 | | 40125852 | | TRIANGULAR_LEVER | | | | * | | 1 | |
| 7 | | 40125854 | | UPPER_FEED_LINK_A | | | | * | | 1 | |
| 8 | | 40125937 | | WALKING_BAR_E | | | | * | | 1 | |
| 9 | | 40126166 | | PRESSER_BAR_GUIDE_SHAFT | | | | * | | 1 | |
| 10 | | SM4030601SN | | SCREW_M3X6 | | | | * | | 2 | |
| 11 | | SM8050612TP | | SCREW_M5X6 | | | | * | | 1 | |
| 12 | | 40125861 | | PRESSURE_BAR_E | | | | * | | 1 | |
| 13 | | 40090058 | | SLIDE_BLOCK | | | | | | 2 | |
| 14 | | 40125943 | | PRESSER_ROD_GUIDE | | | | | | 1 | |
| 15 | | 40123634 | | ROCKING_LINK_PIN | | | | | | 1 | |
| 16 | | 40125867 | | SPRING_HOOK | | | | | | 1 | |
| 17 | | 40171574 | | PRESSER_BAR_BUSHING | | | | | | 1 | |
| 18 | R | SD0802126TP | 40082079 | SHOULDER_SCREW_D=8,H=21.2 | | | | | | 1 | 1.00 |
| 19 | | NM6060001SD | | NUT_M6 | | | | | | 1 | |
| 20 | | E2613700000 | | WASHER | | | | | | 2 | |
| 21 | | 40123319 | | UPPER_FEED_SHAFT_ASM | | | | | | 1 | |
| 22 | | 40123262 | | UPPER_FEED_SHAFT | | | | * | | 1 | |
| 23 | R | 40123320 | 40123319 | UPPER_FEED_SHAFT_METAL_F | | | | * | | 1 | 1.00 |
| 24 | R | 40123321 | 40123319 | UPPER_FEED_SHAFT_METAL_R | | | | * | | 2 | 1.00 |
| 25 | | 40126160 | | UPPER_FEED_REAR_ARM | | | | | | 1 | |
| 26 | | 40126390 | | UPPER_FEED_CAM | | | | | | 1 | |
| 27 | | 40126338 | | CONNECTION_LINK_ASM | | | | | | 2 | |
| 28 | R | 40126223 | 40126338 | CONNECTION_LINK | | | | * | | 2 | 1.00 |
| 29 | | 40038494 | | THREAD_BIND_ARM_SPRING_RAC | | | | | | 2 | |
| 30 | | 40126269 | | CHANGE_BASE_SPRING_RACK | | | | | | 1 | |
| 31 | | 40126264 | | CHANGE_BASE_STOPPER | | | | | | 1 | |
| 32 | | 40123416 | | UPPER_FEED_CHANGE_BASE_ASM | | | | | | 1 | |
| 33 | R | 40123414 | 40123416 | UPPER_FEED_CHANGE_BASE | | | | * | | 1 | 1.00 |
| 34 | R | 40123555 | 40123416 | UF_CHANGE_BASE_SHAFT | | | | * | | 1 | 1.00 |
| 35 | | 40145548 | | UF_CHANGE_BASE_SUPPORT_PIN_A | SELECTIVE PARTS | | | * | | 1 | |
| 36 | | 40145549 | | UF_CHANGE_BASE_SUPPORT_PIN_B | SELECTIVE PARTS | | | * | | 1 | |
| 37 | | 40145550 | | UF_CHANGE_BASE_SUPPORT_PIN_C | SELECTIVE PARTS | | | * | | 1 | |
| 38 | | SM8060552TP | | SCREW_M6_L=5 | | | | * | | 1 | |
| 39 | | 40112197 | | PRESSER_SPRING | | | | | ☆ | 1 | |
| 40 | | 40112199 | | LEAF_SPRING | | | | | ☆ | 1 | |
| 41 | | 40126400 | | SPRING | | | | | | 2 | |
| 42 | | 40125850 | | VERTICAL_DIAL(VE) | | | | | | 1 | |
| 43 | | D1231555B00 | | WASHER | | | | | | 2 | |
| 44 | | 22904155 | | MAIN_SHAFT_THRU-ST_COLLAR_ASM. | | | | | | 1 | |

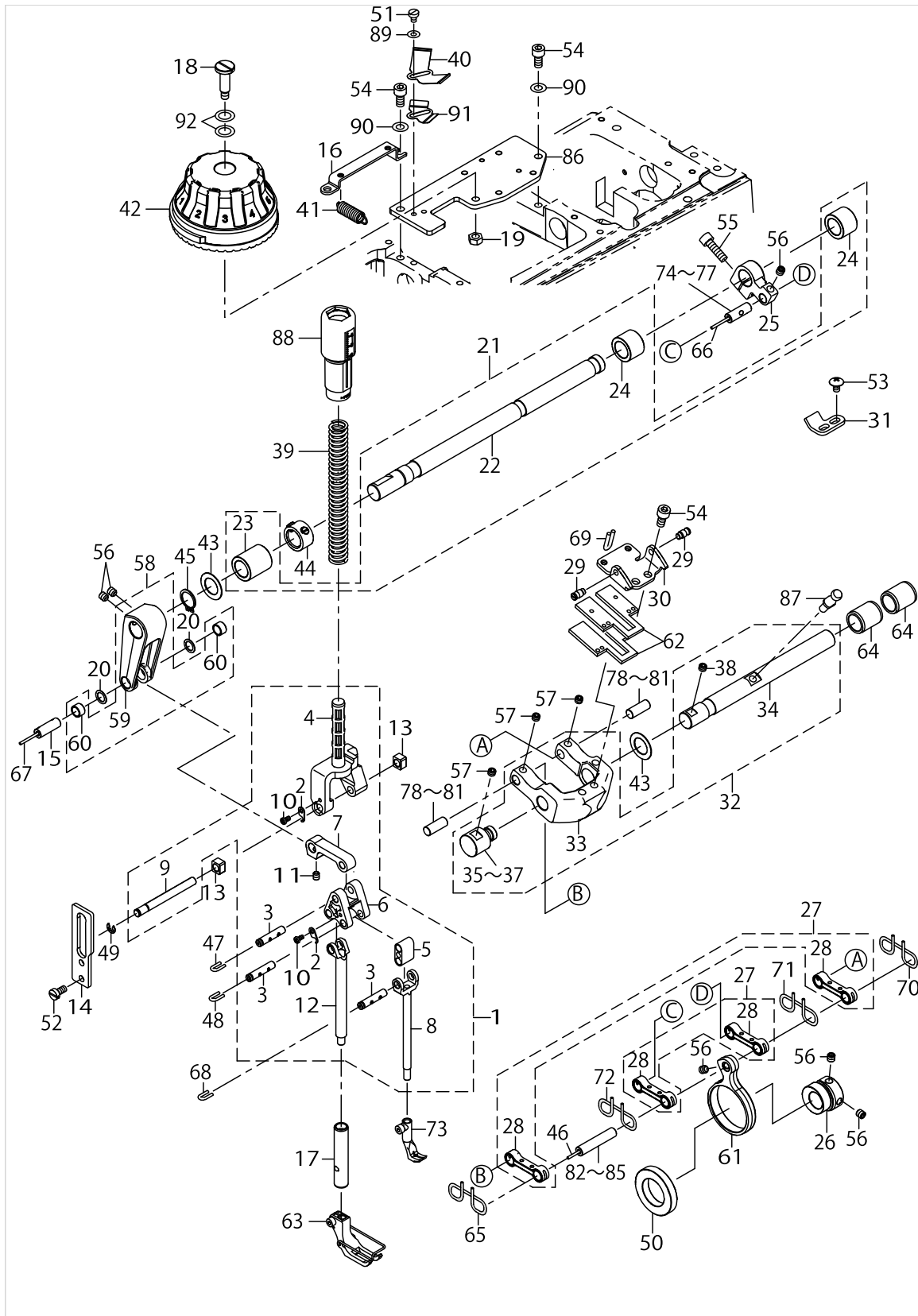
UPPER FEED COMPONENTS



UPPER FEED COMPONENTS

| No. | Supply Code | Parts No. | Replacement | Parts name | Remarks | Choice | Step | Level | Cons | Qty | Rep. QTY |
|-----|-------------|-------------|-------------|---------------------------|-----------------|--------|------|-------|------|------|----------|
| 45 | | RC0150001KP | | RETAINING_RING_13.8 | | | | | | 1 | |
| 46 | | CQ202000000 | | OIL_WICK | | | | | | .042 | |
| 47 | | CQ252000000 | | OIL_WICK | | | | | | .048 | |
| 48 | | CQ252000000 | | OIL_WICK | | | | | | .048 | |
| 49 | | RE0500000K0 | | E-RING | | | | | | 1 | |
| 50 | | SB125000600 | | BEARING | | | | | | 1 | |
| 51 | | SM6040650TP | | SCREW | | | | | | 2 | |
| 52 | | SM6051000SP | | SCREW | | | | | | 2 | |
| 53 | | SM0050801SC | | SCREW | | | | | | 2 | |
| 54 | | SM6061202TP | | SCREW_M6_L=12 | | | | | | 7 | |
| 55 | | SM6062002TP | | SCREW_M6_L=20 | | | | | | 1 | |
| 56 | | SM8060612TP | | SCREW_M6_L=6 | | | | | | 6 | |
| 57 | | SM8060552TP | | SCREW_M6_L=5 | | | | | | 3 | |
| 58 | | 40126159 | | UPPER_FEED_FRONT_ARM_ASM | | | | | | 1 | |
| 59 | R | 40126157 | 40126159 | UPPER_FEED_FRONT_ARM | | | | * | | 1 | 1.00 |
| 60 | R | 40126158 | 40126159 | UPPER_FEED_FRONT_ARM_BUSH | | | | * | | 2 | 1.00 |
| 61 | | 40125876 | | UPPER_FEED_CAM_ROD | | | | | | 1 | |
| 62 | | 40123345 | | FELT | | | | | | 2 | |
| 63 | | 10712552 | | PRESSER_FOOT_ASM. | | | | | | 1 | |
| 64 | | 22913008 | | FEED_ROCKER_SHAFT_BUSHING | | | | | | 2 | |
| 65 | | CQ202000000 | | OIL_WICK | | | | | | .25 | |
| 66 | | CQ202000000 | | OIL_WICK | | | | | | .02 | |
| 67 | | CQ202000000 | | OIL_WICK | | | | | | .02 | |
| 68 | | CQ252000000 | | OIL_WICK | | | | | | .048 | |
| 69 | | CQ202000000 | | OIL_WICK | | | | | | .1 | |
| 70 | | CQ202000000 | | OIL_WICK | | | | | | .25 | |
| 71 | | CQ202000000 | | OIL_WICK | | | | | | .25 | |
| 72 | | CQ202000000 | | OIL_WICK | | | | | | .25 | |
| 73 | | 10711653 | | FEED_FOOT_ASM. | | | | | | 1 | |
| 74 | | 40149115 | | ROCKING_LINK_PIN_A | SELECTIVE PARTS | | | | | 1 | |
| 75 | | 40149116 | | ROCKING_LINK_PIN_B | SELECTIVE PARTS | | | | | 1 | |
| 76 | | 40149117 | | ROCKING_LINK_PIN_C | SELECTIVE PARTS | | | | | 1 | |
| 77 | | 40149118 | | ROCKING_LINK_PIN_D | SELECTIVE PARTS | | | | | 1 | |
| 78 | | 40149120 | | FEED_ADJUSTING_PIN_A | SELECTIVE PARTS | | | | | 2 | |
| 79 | | 40149121 | | FEED_ADJUSTING_PIN_B | SELECTIVE PARTS | | | | | 2 | |
| 80 | | 40149122 | | FEED_ADJUSTING_PIN_C | SELECTIVE PARTS | | | | | 2 | |
| 81 | | 40149123 | | FEED_ADJUSTING_PIN_D | SELECTIVE PARTS | | | | | 2 | |
| 82 | | 40149125 | | FEED_ROD_PIN_A | SELECTIVE PARTS | | | | | 1 | |
| 83 | | 40149126 | | FEED_ROD_PIN_B | SELECTIVE PARTS | | | | | 1 | |
| 84 | D | 40149127 | | FEED_ROD_PIN_C | SELECTIVE PARTS | | | | | 1 | |
| 85 | | 40149128 | | FEED_ROD_PIN_D | SELECTIVE PARTS | | | | | 1 | |
| 86 | | 40125868 | | INSTALLING_PLATE | | | | | | 1 | |
| 87 | | 40126374 | | VERTICAL_ADJUSTING_PIN | | | | | | 1 | |
| 88 | | 40125926 | | PRESSER_ADJUSTING_SCREW | | | | | | 1 | |
| 89 | | WP0430800SD | | WASHER_M4 | | | | | | 4 | |
| 90 | | WP0651001SC | | WASHER | | | | | | 2 | |

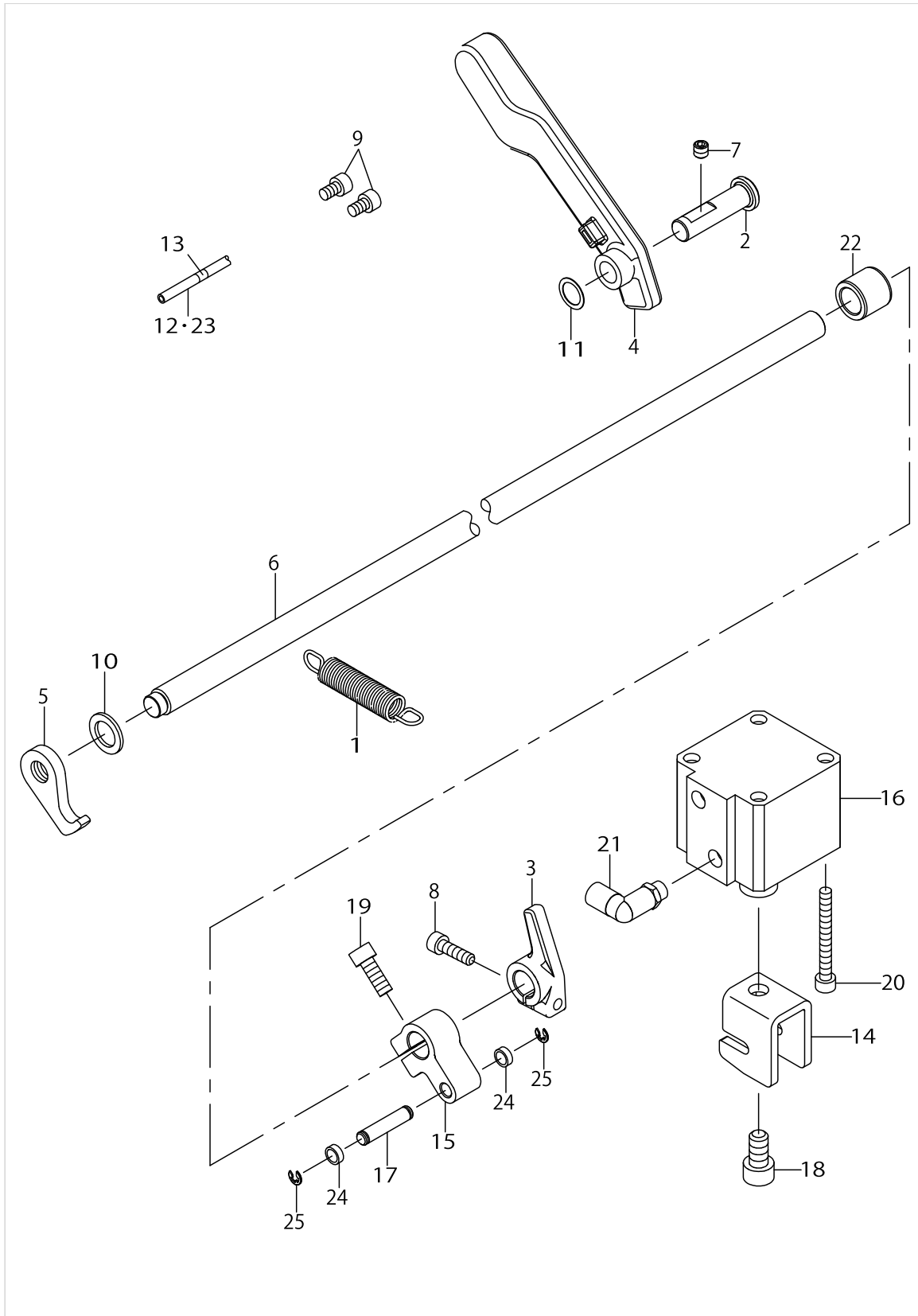
UPPER FEED COMPONENTS



UPPER FEED COMPONENTS

| No. | Supply Code | Parts No. | Replacement | Parts name | Remarks | Choice | Step | Level | Cons | Qty | Rep. QTY |
|-----|-------------|-----------|-------------|-----------------------------|---------|--------|------|-------|------|-----|----------|
| 91 | | 40154199 | | LEAF_SPRING_ADJUSTING_PLATE | | | | | | 1 | |
| 92 | | 40023627 | | PRESSER_PLATE_SHEET_WASHER | | | | | | 2 | |

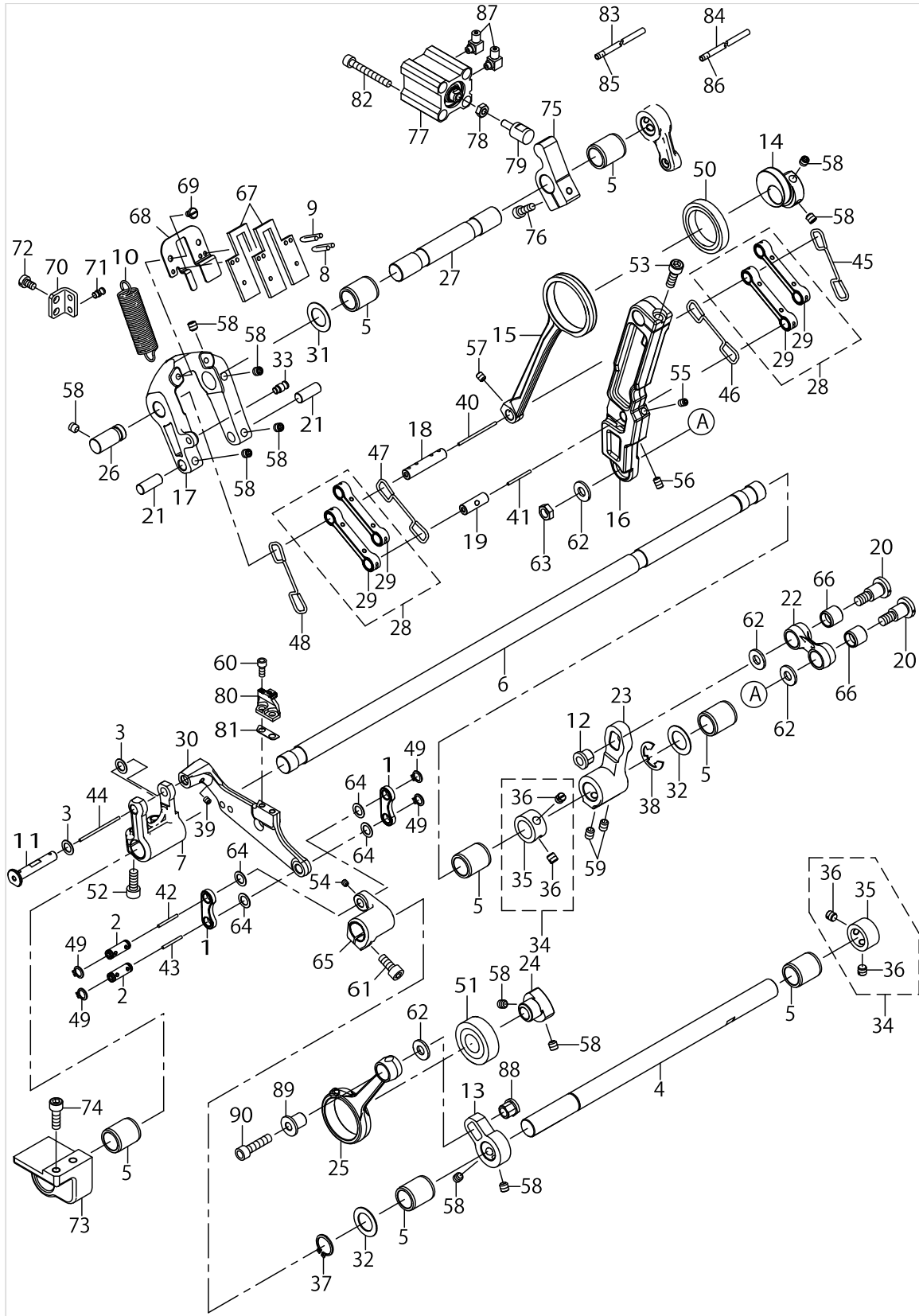
HAND LIFTER & AUTO LIFTER COMPONENTS



HAND LIFTER & AUTO LIFTER COMPONENTS

| No. | Supply Code | Parts No. | Replacement | Parts name | Remarks | Choice | Step | Level | Cons | Qty | Rep. QTY |
|-----|-------------|-------------|-------------|---------------------------|---------------|--------|------|-------|------|-----|----------|
| 1 | | 40126367 | | SPRING | | | | | | 1 | |
| 2 | | 40006716 | | THREAD_TRIMMER_SHAFT | | | | | | 1 | |
| 3 | | 40112184 | | LIFTER_LEVER_A | | | | | | 1 | |
| 4 | | 40126150 | | LIFTER_LEVER_B | | | | | | 1 | |
| 5 | | 40144283 | | LIFTER_PLATE | | | | | | 1 | |
| 6 | | 40126364 | | LIFTER_SHAFT | | | | | | 1 | |
| 7 | | SM8060612TP | | SCREW_M6_L=6 | | | | | | 1 | |
| 8 | | SM6051802TP | | SCREW_M5_L=18 | | | | | | 1 | |
| 9 | | SM6050802TP | | SCREW_M5X0.8_L=8 | | | | | | 2 | |
| 10 | | 13409107 | | WASHER | | | | | | 1 | |
| 11 | | WZ1052010KP | | WAVED_WASHER | | | | | | 1 | |
| 12 | | BT0400251EB | | URETHANE_HOSE_BLACK | FOR LU-2828-7 | | | | | .62 | |
| 13 | | 18035303 | | WIRE_MARK_(4) | | | | | | 1 | |
| 14 | | 40112187 | | KNUCKLE_JOINT_A | | | | | | 1 | |
| 15 | | 40112188 | | LIFTING_ARM | | | | | | 1 | |
| 16 | | PA400150200 | | AIR_CYLINDER | | | | | | 1 | |
| 17 | | 22949101 | | ROLLER_FULCRUM_SHAFT | | | | | | 1 | |
| 18 | | SM6081552TP | | SCREW_M8_L=15 | | | | | | 1 | |
| 19 | | SM6061602TP | | SCREW_M6_L=16 | | | | | | 1 | |
| 20 | | SM6054502TN | | SCREW_M5_L=45 | | | | | | 4 | |
| 21 | | 40142202 | | ELBOW_UNION | | | | | | 1 | |
| 22 | | 40143624 | | BACKWARD_LEVER_SHAFT_BUSH | | | | | | 1 | |
| 23 | | BT0400251EB | | URETHANE_HOSE_BLACK | FOR LU-2828-6 | | | | | 1.4 | |
| 24 | | 13951009 | | PRESSER_FOOT_ROLLER | | | | | | 2 | |
| 25 | | RE0400000K0 | | E-RING_4 | | | | | | 2 | |

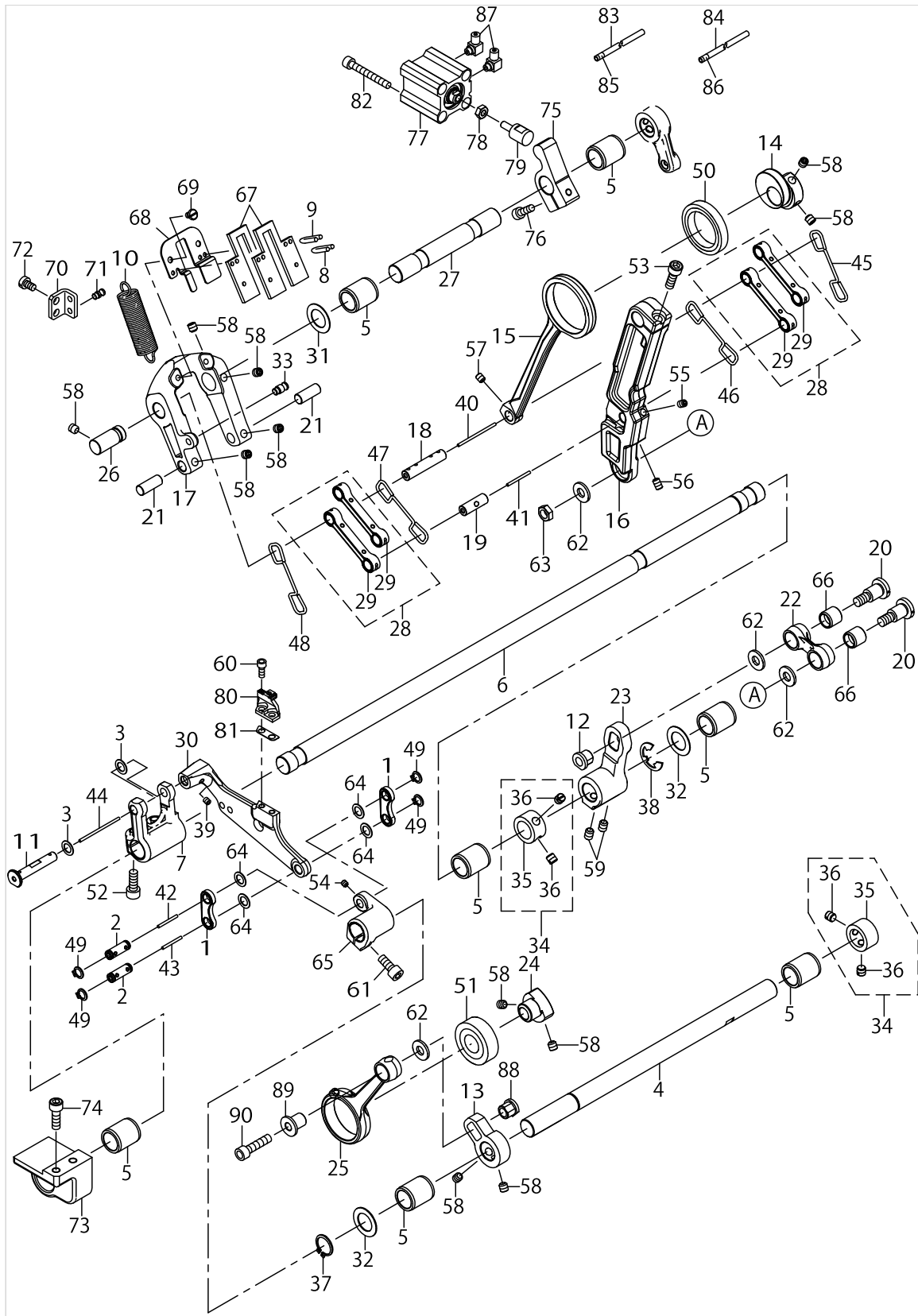
LOWER FEED COMPONENTS



LOWER FEED COMPONENTS

| No. | Supply Code | Parts No. | Replacement | Parts name | Remarks | Choice | Step | Level | Cons | Qty | Rep. QTY |
|-----|-------------|-------------|-------------|--------------------------------|---------|--------|------|-------|------|------|----------|
| 1 | | 40123666 | | VERTICAL_LINK | | | | | | 2 | |
| 2 | | 40143626 | | VERTICAL_FEED_LINK | | | | | | 2 | |
| 3 | | WP0740516SP | | WASHER_7.4X11.8X0.5 | | | | | | 2 | |
| 4 | | 40131621 | | VERTICAL_FEED_SHAFT | | | | | | 1 | |
| 5 | | 22913008 | | FEED_ROCKER_SHAFT_BUSHING | | | | | | 7 | |
| 6 | | 40131620 | | HORIZONTAL_FEED_SHAFT | | | | | | 1 | |
| 7 | | 40134982 | | FEED_BASE_ARM | | | | | | 1 | |
| 8 | | CQ202000000 | | OIL_WICK | | | | | | .05 | |
| 9 | | CQ202000000 | | OIL_WICK | | | | | | .05 | |
| 10 | | 40126401 | | SPRING_B | | | | | | 1 | |
| 11 | | 40137997 | | FEED_BASE_SHAFT | | | | | | 1 | |
| 12 | | 40126357 | | VERTICAL_FEED_ROD_NUT | | | | | | 1 | |
| 13 | | 40125843 | | VERTICAL_FEED_ARM_REAR | | | | | | 1 | |
| 14 | | 40123626 | | HORIZONTAL_FEED_CAM | | | | | | 1 | |
| 15 | | 40126151 | | HORIZONTAL_FEED_ROD | | | | | | 1 | |
| 16 | | 40123547 | | NEEDLE_BAR_ROCKING_LINK | | | | | | 1 | |
| 17 | | 40123629 | | HORIZONTAL_FEED_CHANGE_BASE | | | | | | 1 | |
| 18 | | 40112118 | | FEED_ROD_PIN | | | | | | 1 | |
| 19 | | 40123634 | | ROCKING_LINK_PIN | | | | | | 1 | |
| 20 | | SD1021251SP | | HINGE_SCREW_D=10.2_H=12.5 | | | | | | 2 | |
| 21 | | 40126375 | | FEED_ADJUSTING_PIN_A | | | | | | 2 | |
| 22 | | 40125856 | | CONNECTION_LINK | | | | | | 1 | |
| 23 | | 40123668 | | HORIZONTAL_FEED_ARM | | | | | | 1 | |
| 24 | | 40123627 | | VERTICAL_FEED_CAM | | | | | | 1 | |
| 25 | | 40125857 | | VERTICAL_FEED_ROD | | | | | | 1 | |
| 26 | | 40123639 | | HF_CHANGE_BASE_SUPPORT_PIN | | | | | | 1 | |
| 27 | | 40131602 | | CHANGE_BASE_SHAFT | | | | | | 1 | |
| 28 | | 40126339 | | CONNECTION_LINK_ASM | | | | | | 2 | |
| 29 | R | 40123252 | 40126339 | CONNECTION_LINK | | | | * | | 2 | 1.00 |
| 30 | | 40131631 | | FEED_BASE | | | | | | 1 | |
| 31 | | D1231555B00 | | WASHER | | | | | | 1 | |
| 32 | | B125578100A | | WASHER_A | | | | | | 2 | |
| 33 | | 40038494 | | THREAD_BIND_ARM_SPRING_RAC | | | | | | 1 | |
| 34 | | 22904155 | | MAIN_SHAFT_THRU-ST_COLLAR_ASM. | | | | | | 2 | |
| 35 | R | 22904106 | 22904155 | MAIN_SHAFT_THRUST_COLLAR | | | | * | | 1 | 1.00 |
| 36 | | SS8660610TP | | SCREW_1/4-40_L=6 | | | | * | | 2 | |
| 37 | | RC0150001KP | | RETAINING_RING_13.8 | | | | | | 1 | |
| 38 | | RE1200000K0 | | E-RING_12 | | | | | | 1 | |
| 39 | | SS8110422TP | | SCREW_11/64-40_L=4 | | | | | | 1 | |
| 40 | | CQ202000000 | | OIL_WICK | | | | | | .042 | |
| 41 | | CQ202000000 | | OIL_WICK | | | | | | .02 | |
| 42 | | CQ202000000 | | OIL_WICK | | | | | | .024 | |
| 43 | | CQ202000000 | | OIL_WICK | | | | | | .024 | |
| 44 | | CQ202000000 | | OIL_WICK | | | | | | .04 | |
| 45 | | CQ202000000 | | OIL_WICK | | | | | | .3 | |
| 46 | | CQ202000000 | | OIL_WICK | | | | | | .3 | |

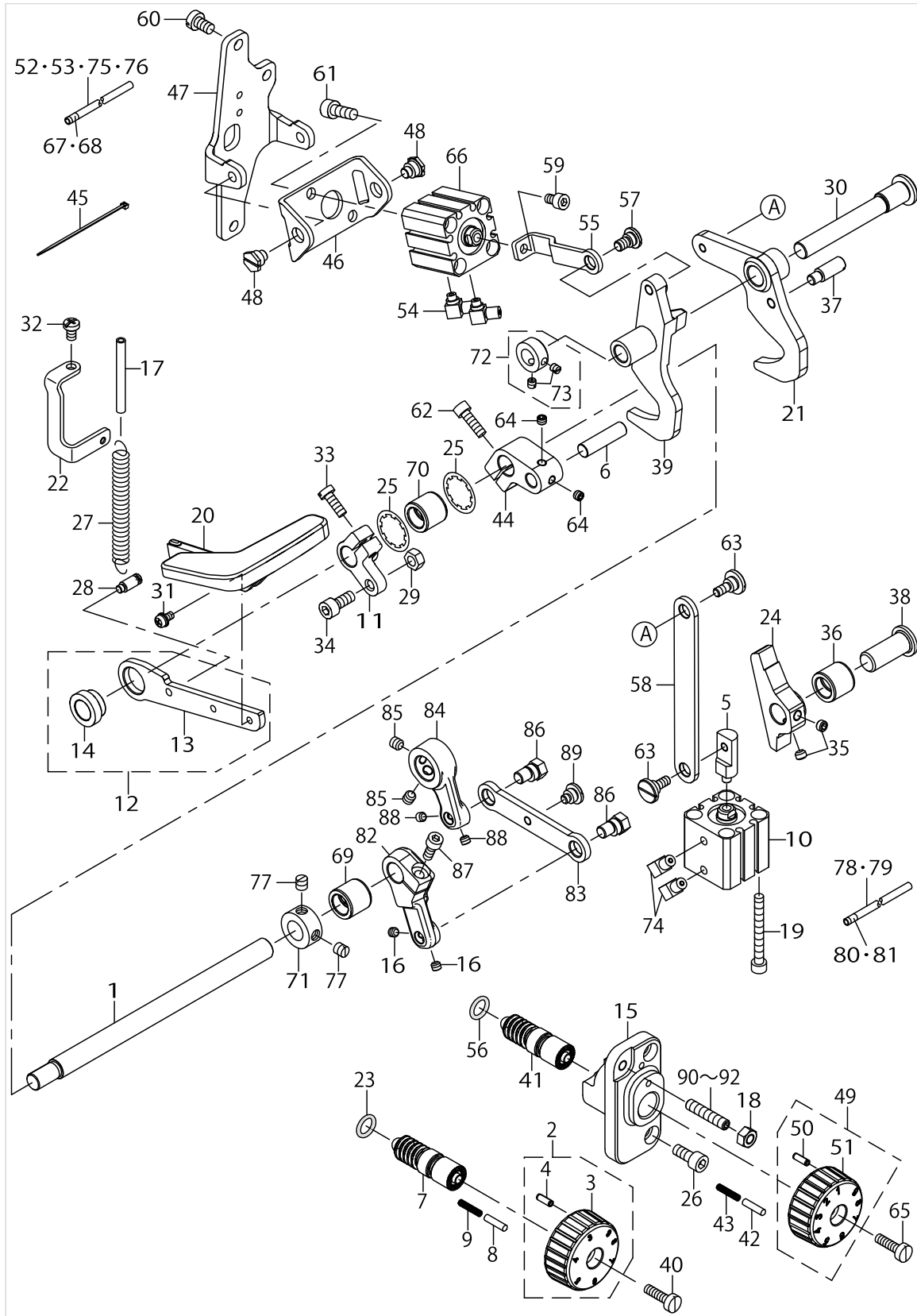
LOWER FEED COMPONENTS



LOWER FEED COMPONENTS

| No. | Supply Code | Parts No. | Replacement | Parts name | Remarks | Choice | Step | Level | Cons | Qty | Rep. QTY |
|-----|-------------|-------------|-------------|-----------------------------|---------|--------|------|-------|------|-----|----------|
| 47 | | CQ202000000 | | OIL_WICK | | | | | | | .3 |
| 48 | | CQ202000000 | | OIL_WICK | | | | | | | .3 |
| 49 | | RC0650811KP | | RETAINING_RING | | | | | | | 4 |
| 50 | | 40143087 | | BEARING | | | | | | | 1 |
| 51 | | 40143085 | | BEARING | | | | | | | 1 |
| 52 | | SM6061602TP | | SCREW_M6_L=16 | | | | | | | 2 |
| 53 | | SM6061802TP | | SCREW_M6_L=18 | | | | | | | 1 |
| 54 | | SM8040412TP | | SET_SCREW_M4_L=4 | | | | | | | 1 |
| 55 | | SM8050842TP | | SETSCREW | | | | | | | 1 |
| 56 | | SM8050812TP | | SCREW_M5X8 | | | | | | | 1 |
| 57 | | SM8050612TP | | SCREW_M5X6 | | | | | | | 1 |
| 58 | | SM8060612TP | | SCREW_M6_L=6 | | | | | | | 11 |
| 59 | | SM8060812TP | | SCREW_M6_L=8 | | | | | | | 2 |
| 60 | | SS6111052TP | | SCREW | | | | | | | 2 |
| 61 | | SM6061402TP | | SCREW_M6_L=14 | | | | | | | 1 |
| 62 | | 26018705 | | WASHER | | | | | | | 4 |
| 63 | | NS6680410SP | | NUT_9/32-28 | | | | | | | 1 |
| 64 | | WP0740516SP | | WASHER_7.4X11.8X0.5 | | | | | | | 4 |
| 65 | | 40125935 | | VERTICAL_FEED_ARM_FRONT | | | | | | | 1 |
| 66 | | 40126359 | | VERTICAL_FEED_ROD_BUSH | | | | | | | 2 |
| 67 | | 40123345 | | FELT | | | | | | | 2 |
| 68 | | 40123346 | | FELT HOLDER | | | | | | | 1 |
| 69 | | SM6040650TP | | SCREW | | | | | | | 2 |
| 70 | | 12288908 | | THROAT_PLATE_BASE_B_SUPPORT | | | | | | | 1 |
| 71 | | 26017400 | | SPRING_RAC | | | | | | | 1 |
| 72 | | SM6050800SP | | SCREW_M5_L=8 | | | | | | | 2 |
| 73 | | 40131619 | | METAL_INSTALLING_BOSS | | | | | | | 1 |
| 74 | | SM6061802TP | | SCREW_M6_L=18 | | | | | | | 2 |
| 75 | | 40131597 | | CONDENSE_CYLINDER_ARM | | | | | | | 1 |
| 76 | | SM6051602TP | | SCREW_M5X0.8_L=16 | | | | | | | 1 |
| 77 | | PA200200500 | | AIR_CYLINDER | | | | | | | 1 |
| 78 | | NM6050001SD | | NUT_M5X0.8 | | | | | | | 1 |
| 79 | | 40131607 | | CONDENSE_PUSH_PIN | | | | | | | 1 |
| 80 | | 40135816 | | FEED_DOG_2820A7 | | | | | | | 1 |
| 81 | | 40138020 | | FEED_DOG_SPACER | | | | | | | 1 |
| 82 | | SM6054002TN | | SCREW_M5X0.8_L=40 | | | | | | | 2 |
| 83 | | BT0400251EB | | URETHANE_HOSE_BLACK | | | | | | | .6 |
| 84 | | BT0400251EB | | URETHANE_HOSE_BLACK | | | | | | | .6 |
| 85 | | 18035808 | | WIRE_MARK_(9) | | | | | | | 1 |
| 86 | | 18035907 | | WIRE_MARK_(10) | | | | | | | 1 |
| 87 | | PJ032052503 | | HOSE_NIPPLE | | | | | | | 2 |
| 88 | | 40154832 | | VERTICAL_FEED_ROD_NUT | | | | | | | 1 |
| 89 | | 40154833 | | VERTICAL_FEED_COLLAR | | | | | | | 1 |
| 90 | | SM6062502TP | | SCREW M6 L=25 | | | | | | | 1 |

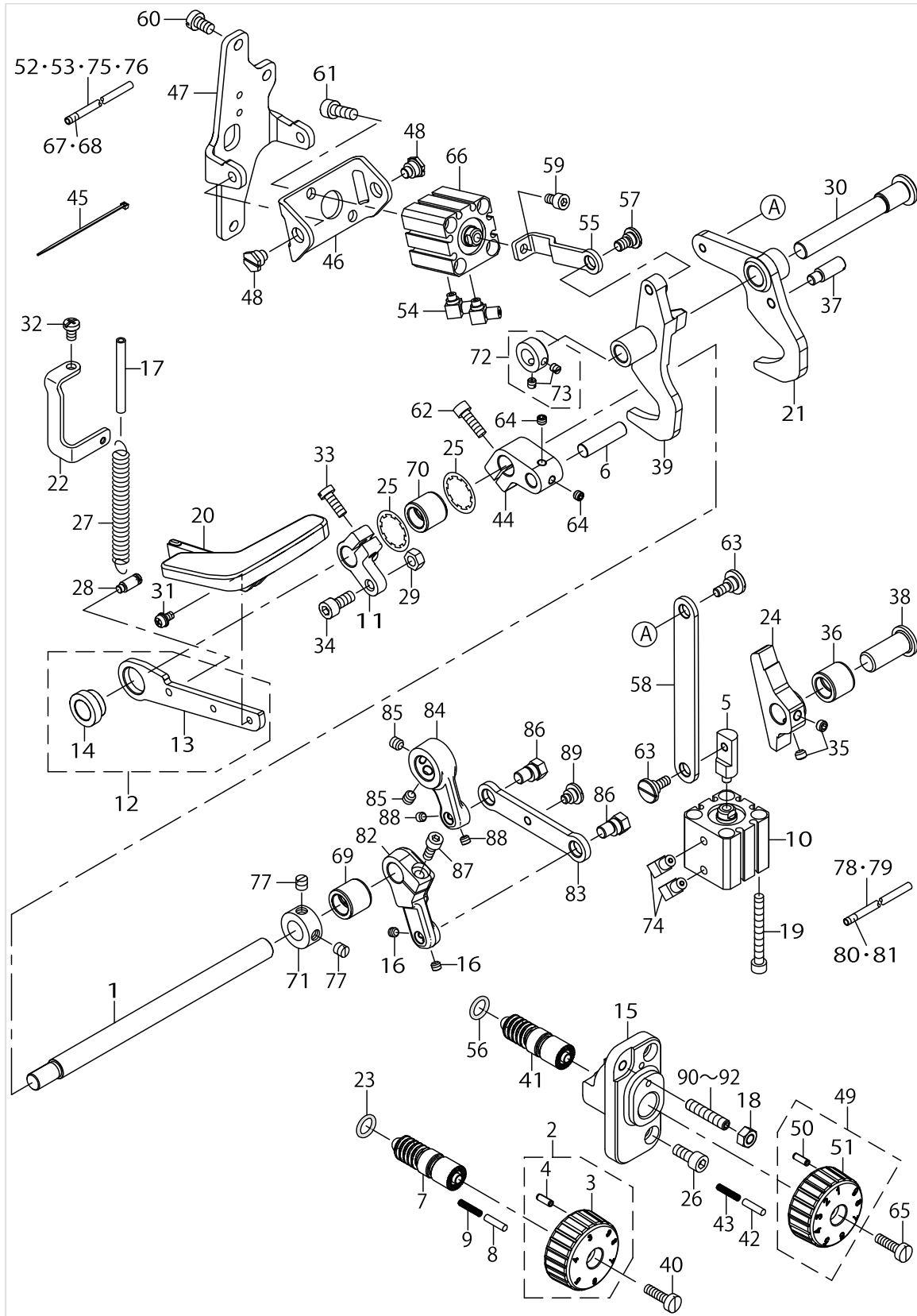
FEED ADJUST COMPONENTS



FEED ADJUST COMPONENTS

| No. | Supply Code | Parts No. | Replacement | Parts name | Remarks | Choice | Step | Level | Cons | Qty | Rep. QTY |
|-----|-------------|-------------|-------------|--------------------------------|---------|--------|---|-------|------|-----|----------|
| 1 | | 40150059 | | REVERSE_FEED_LEVER_SHAFT_V | | | | | | 1 | |
| 2 | | 40142200 | | FEED_DIAL_(A)_ASM. | | | | | | 1 | |
| 3 | | 40142201 | | FEED_DIAL_(A) | | | | * | | 1 | |
| 4 | | PS0350102KR | | SPRING_PIN_3.5X10 | | | | * | | 1 | |
| 5 | | 40131601 | | CYLINDER_CONNECTING_SCREW | | | | | | 1 | |
| 6 | | 40131599 | | FEED_ADJUSTING_PIN | | | | | | 1 | |
| 7 | | 22911804 | | FEED_REGULATOR_SCREW | | | | | ☆ | 1 | |
| 8 | | 22912000 | | FEED_REGULATOR_PIN | | | | | | 1 | |
| 9 | | 18053900 | | SPRIG | | | | | | 1 | |
| 10 | | PA200150900 | | AIR_CYLINDER | | | | | | 1 | |
| 11 | | 40112127 | | BACKWARD_FEED_CONNECTING_ARM | | | | | | 1 | |
| 12 | | 40112128 | | REVERSE_FEED_LEVER_PLATE_ASM | | | | | | 1 | |
| 13 | R | 40112281 | 40112128 | REVERSE_FEED_REVER_PLATE | | A | 糸切り仕様- /Needle thread trimming type | * | | 1 | 1.00 |
| 13 | R | 40112281 | 40126362 | REVERSE_FEED_REVER_PLATE | | B | 糸切り無仕様/ No Needle thread trimming type | * | | 1 | 1.00 |
| 14 | R | 40112282 | 40112128 | REVERSE_FEED_REVER_BUSH | | A | for LU | * | | 1 | 1.00 |
| 14 | R | 40112282 | 40129991 | REVERSE_FEED_REVER_BUSH | | B | for PLC | * | | 1 | 1.00 |
| 15 | | 40149039 | | FEED_DIAL_BASE | | | | | | 1 | |
| 16 | | SM8050412TP | | SCREW_M5_L=4 | | | | | | 2 | |
| 17 | | 23630007 | | TUBE | | | | | | .08 | |
| 18 | | NM6060001SD | | NUT_M6 | | | | | | 1 | |
| 19 | | SM6054502TP | | SCREW_M5X0.8_L=45 | | | | | | 2 | |
| 20 | | 40126116 | | REVERSE_FEED_LEVER_DRAFT | | | | | | 1 | |
| 21 | | 40131591 | | ADJUSTING_BASE_A | | | | | | 1 | |
| 22 | | 40125864 | | REVERSE_FEED_LEVER_SPRING_HOOK | | | | | | 1 | |
| 23 | | RO092270200 | | RUBBER_RING | | | | | | 1 | |
| 24 | | 40131594 | | FEED_DIAL_ARM | | | | | | 1 | |
| 25 | | WT1780011KP | | TOOTHED_WASHER_18 | | | | | | 2 | |
| 26 | | SM6061402TP | | SCREW_M6_L=14 | | | | | | 2 | |
| 27 | | D2629M1YC0F | | SPRING | | | | | | 1 | |
| 28 | | 26229302 | | SUSPENSION_SCREW | | | | | | 1 | |
| 29 | | NM6050001SD | | NUT_M5X0.8 | | | | | | 1 | |
| 30 | | 40131609 | | ADJUSTING_BASE_SHAFT | | | | | | 1 | |
| 31 | | SL4040881SC | | SCREW_M4_L=8 | | | | | | 2 | |
| 32 | | SM4050855SP | | SCREW | | | | | | 1 | |
| 33 | | SM6051400SP | | SCREW | | | | | | 1 | |
| 34 | | SM6051202TP | | SCREW_M5X0.8_L=12 | | | | | | 1 | |
| 35 | | SM8060412TP | | SCREW | | | | | | 2 | |
| 36 | | 40143624 | | BACKWARD_LEVER_SHAFT_BUSH | | | | | | 1 | |
| 37 | | 40135860 | | ADJUSTING_BASE_SCREW | | | | | | 1 | |
| 38 | | 40131610 | | FEED_DIAL_SHAFT | | | | | | 1 | |
| 39 | | 40125920 | | ADJUSTING_BASE_B | | | | | | 1 | |
| 40 | | SS6121860SP | | SCREW_3/16-28_L=18 | | | | | | 1 | |
| 41 | | 22911804 | | FEED_REGULATOR_SCREW | | | | | ☆ | 1 | |

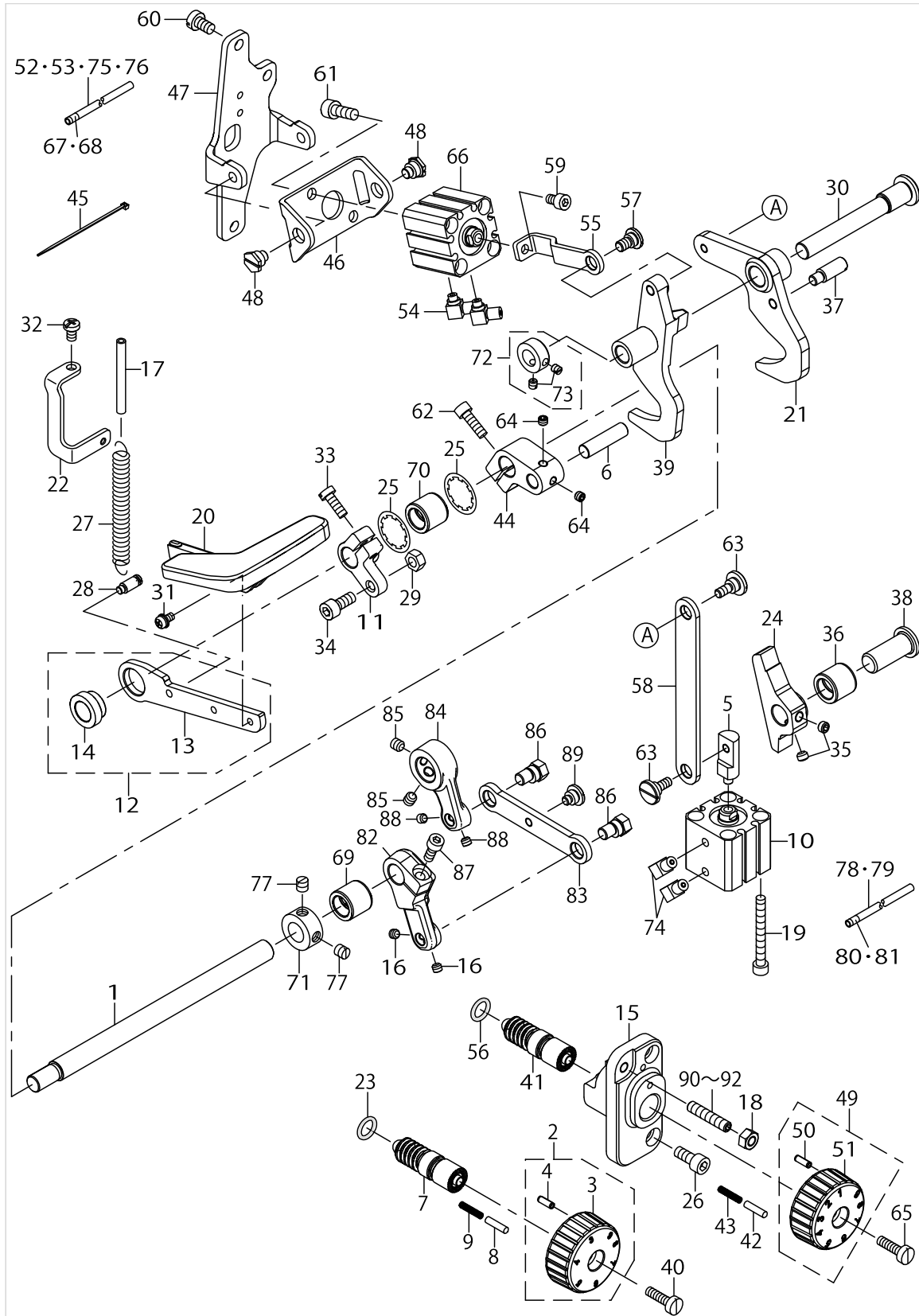
FEED ADJUST COMPONENTS



FEED ADJUST COMPONENTS

| No. | Supply Code | Parts No. | Replacement | Parts name | Remarks | Choice | Step | Level | Cons | Qty | Rep. QTY |
|-----|-------------|-------------|-------------|-----------------------------|---------------|--------|------|-------|------|-----|----------|
| 42 | | 40122887 | | FEED_REGULATOR_PIN | | | | | | 1 | |
| 43 | | 22912109 | | FEED_REGULATOR_PIN_SPRING | | | | | | 1 | |
| 44 | | 40131596 | | FEED_ADJUSTING_PIN_HOLDER_B | | | | | | 1 | |
| 45 | | EA9500B0100 | | CABLE_BAND | | | | | | 1 | |
| 46 | | 40126642 | | CYLINDER_BASE_A | | | | | | 1 | |
| 47 | | 40126643 | | CYLINDER_BASE_B | | | | | | 1 | |
| 48 | | SD0900426TP | | SHOULDER_SCREW_D=9_H=4.2 | | | | | | 2 | |
| 49 | | 40134993 | | FEED_DIAL_2820_ASM | | | | | | 1 | |
| 50 | | PS0350102KR | | SPRING_PIN_3.5X10 | | | | * | | 1 | |
| 51 | R | 40134994 | 40134993 | FEED_DIAL_2820 | | | | * | ☆ | 1 | 1.00 |
| 52 | | BT0400251EB | | URETHANE_HOSE_BLACK | | | | | | .36 | |
| 53 | | BT0400251EB | | URETHANE_HOSE_BLACK | | | | | | .36 | |
| 54 | | PJ046052503 | | HOSE_ELBOW | | | | | | 2 | |
| 55 | | 40112267 | | CYLINDER_JOINT | | | | | | 1 | |
| 56 | | RO092270200 | | RUBBER_RING | | | | | ☆ | 1 | |
| 57 | | SD0800346TP | | SHOULDER_SCREW | | | | | | 1 | |
| 58 | | 40131600 | | LINK_C | | | | | | 1 | |
| 59 | | SM6050802TP | | SCREW_M5X0.8_L=8 | | | | | | 1 | |
| 60 | | SM6061010TP | | SCREW_M6_L=10 | | | | | | 3 | |
| 61 | | SM6061602TP | | SCREW_M6_L=16 | | | | | | 2 | |
| 62 | | SM6051602TP | | SCREW_M5X0.8_L=16 | | | | | | 1 | |
| 63 | | SD0800426TP | | SHOULDER_SCREW | | | | | | 2 | |
| 64 | | SM8050412TP | | SCREW_M5_L=4 | | | | | | 2 | |
| 65 | | SS6121860SP | | SCREW_3/16-28_L=18 | | | | | | 1 | |
| 66 | | PA200150900 | | AIR_CYLINDER | | | | | | 1 | |
| 67 | | 18035006 | | CABLE_MARK_NO.1 | | | | | | 1 | |
| 68 | | 18035105 | | WIRE_MARK_(2) | | | | | | 1 | |
| 69 | | 40143624 | | BACKWARD_LEVER_SHAFT_BUSH | | | | | | 1 | |
| 70 | | 13424502 | | BUSHING_FRONT | | | | | | 1 | |
| 71 | | CS1201171TP | | THRUST_COLLAR_D=12_W=11 | | | | | | 1 | |
| 72 | | CS100081CSP | | THRUST_COLLAR_ASM. | | | | | | 1 | |
| 73 | | SS8110520TP | | SCREW_11/64-40_L=4.5 | | | | * | | 2 | |
| 74 | | PJ046052503 | | HOSE_ELBOW | | | | | | 2 | |
| 75 | | BT0400251EB | | URETHANE_HOSE_BLACK | FOR LU-2828-6 | | | | | .76 | |
| 76 | | BT0400251EB | | URETHANE_HOSE_BLACK | FOR LU-2828-6 | | | | | .76 | |
| 77 | | SM8060612TP | | SCREW_M6_L=6 | | | | | | 2 | |
| 78 | | BT0400251EB | | URETHANE_HOSE_BLACK | | | | | | .13 | |
| 79 | | BT0400251EB | | URETHANE_HOSE_BLACK | | | | | | .13 | |
| 80 | | 18036004 | | WIRE_MARK_(11) | | | | | | 1 | |
| 81 | | 18036103 | | WIRE_MARK_(12) | | | | | | 1 | |
| 82 | | 40131592 | | FEED_ADJUSTING_LINK_ARM | | | | | | 1 | |
| 83 | | 40131605 | | FEED_ADJUSTING_LINK | | | | | | 1 | |
| 84 | | 40131595 | | FEED_ADJUSTING_ARM | | | | | | 1 | |
| 85 | | SM8060612TP | | SCREW_M6_L=6 | | | | | | 2 | |
| 86 | | 23613409 | | FEED_ADJUSTING_PIN | | | | | | 2 | |
| 87 | | SM6051202TP | | SCREW_M5X0.8_L=12 | | | | | | 1 | |

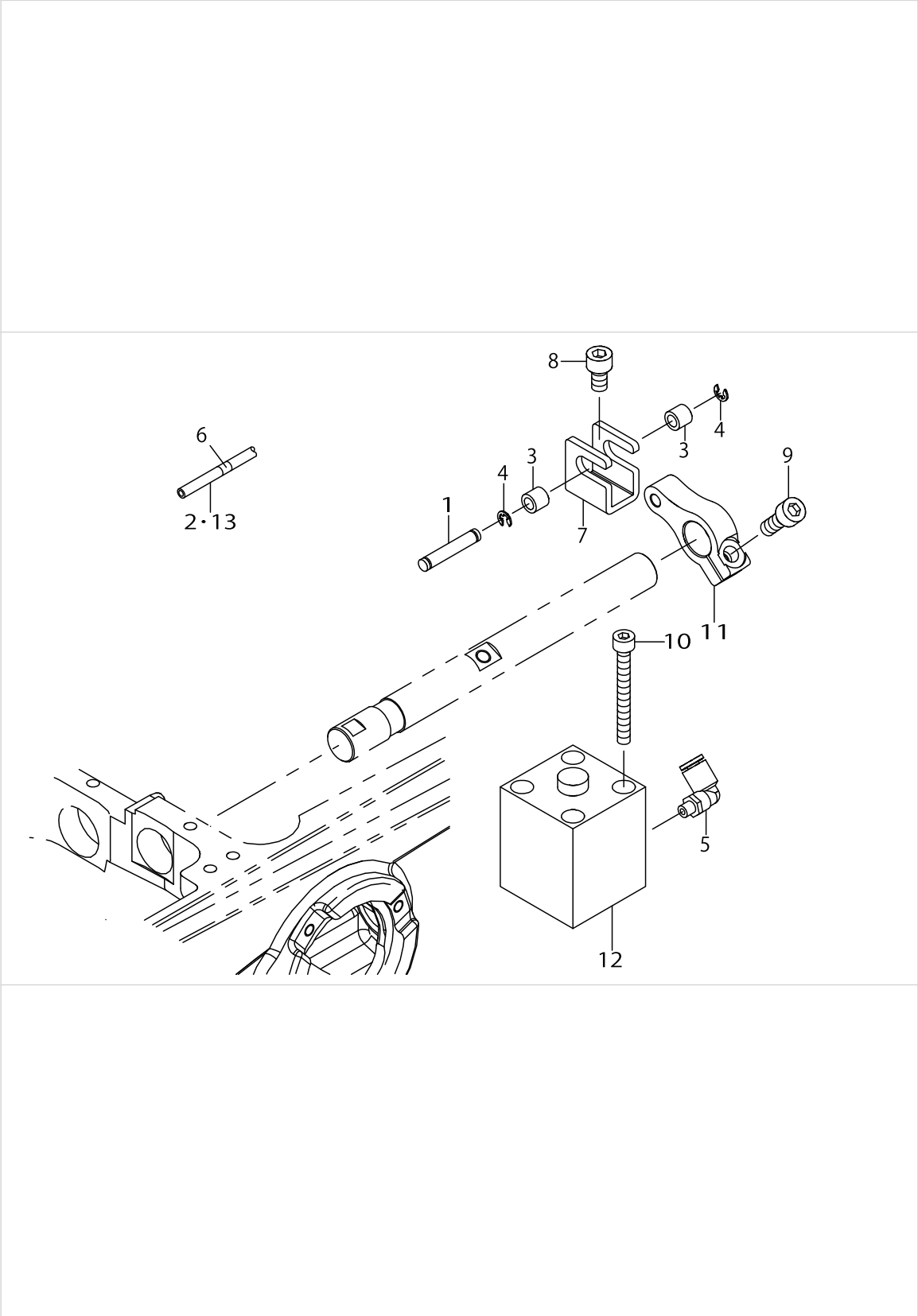
FEED ADJUST COMPONENTS



FEED ADJUST COMPONENTS

| No. | Supply Code | Parts No. | Replacement | Parts name | Remarks | Choice | Step | Level | Cons | Qty | Rep. QTY |
|-----|-------------|-------------|-------------|------------------------|-----------------|--------|------|-------|------|-----|----------|
| 88 | | SM8050412TP | | SCREW_M5_L=4 | | | | | | 2 | |
| 89 | | SD0800406TP | | SHOULDER_SCREW_D=8_H=4 | | | | | | 1 | |
| 90 | | 40153570 | | SCREW M6 L=26 | SELECTIVE PARTS | | | | | 1 | |
| 91 | | 40153571 | | SCREW M6 L=27 | SELECTIVE PARTS | | | | | 1 | |
| 92 | | 40153572 | | SCREW M6 L=28 | SELECTIVE PARTS | | | | | 1 | |

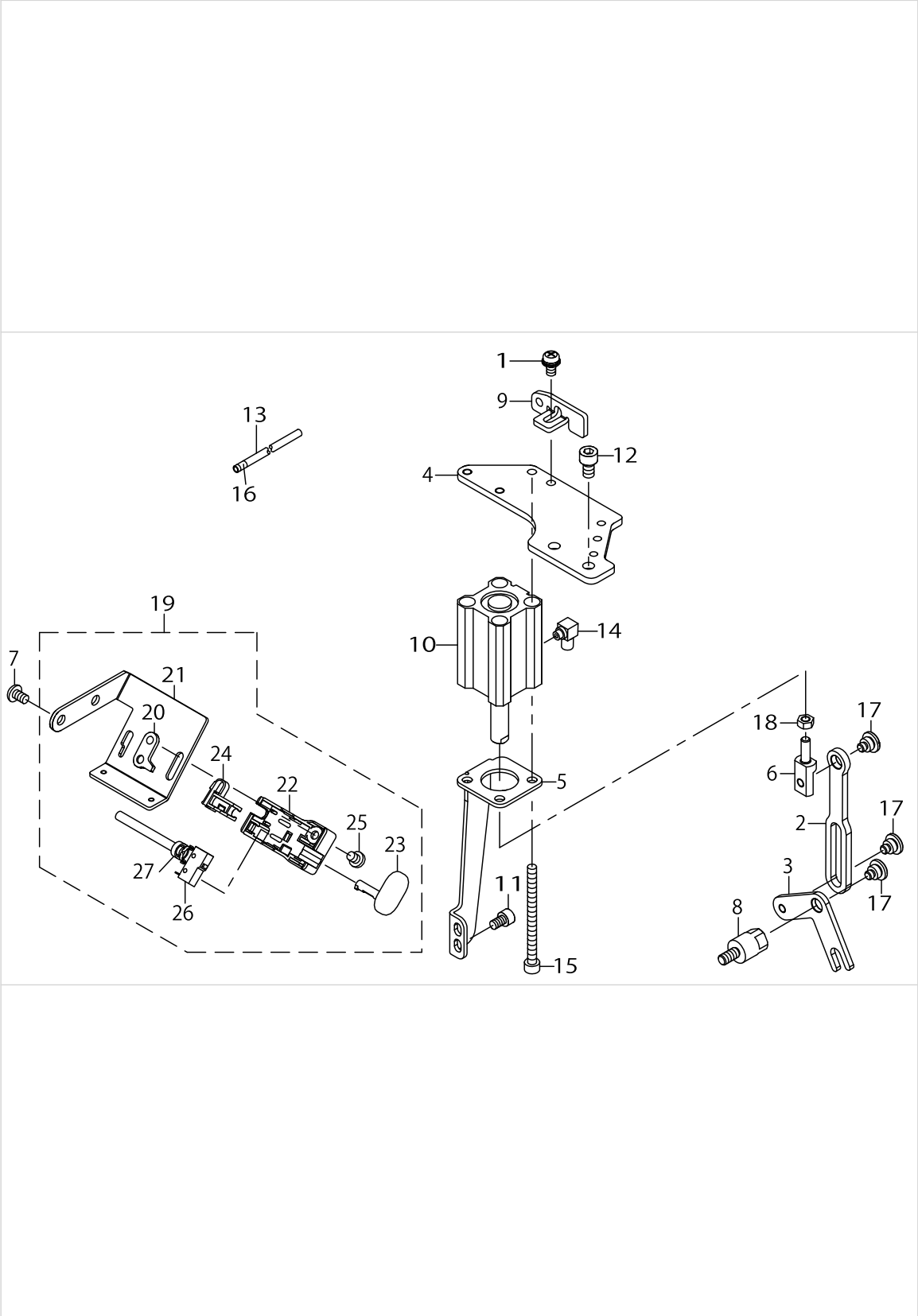
DL COMPONENTS



DL COMPONENTS

| No. | Supply Code | Parts No. | Replacement | Parts name | Remarks | Choice | Step | Level | Cons | Qty | Rep. QTY |
|-----|-------------|-------------|-------------|-----------------------|---------------|--------|------|-------|------|-----|----------|
| 1 | | B1504210000 | | CONNECTING_SHAFT | | | | | | 1 | |
| 2 | | BT0400251EB | | URETHANE_HOSE_BLACK | | | | | | .58 | |
| 3 | | B3031141H00 | | CONNECTING_STUD | | | | | | 2 | |
| 4 | | RE0320000K0 | | E-RING_3.2 | | | | | | 2 | |
| 5 | | PJ304040504 | | ELBOW_UNION | | | | | | 1 | |
| 6 | | 18035501 | | WIRE_MARK_(6) | | | | | | 1 | |
| 7 | | 40112191 | | KNUCKLE_JOINT_B | | | | | | 1 | |
| 8 | | SM6061002TP | | SCREW_M6_L=10 | | | | | | 1 | |
| 9 | | SM6061602TP | | SCREW_M6_L=16 | | | | | | 1 | |
| 10 | | SM6054502TP | | SCREW_M5X0.8_L=45 | | | | | | 2 | |
| 11 | | 40112192 | | TERTICAL_CYLINDER_ARM | | | | | | 1 | |
| 12 | | PA250250900 | | AIR_CYLINDER | | | | | | 1 | |
| 13 | | BT0400251EB | | URETHANE_HOSE_BLACK | FOR LU-2828-6 | | | | | .98 | |

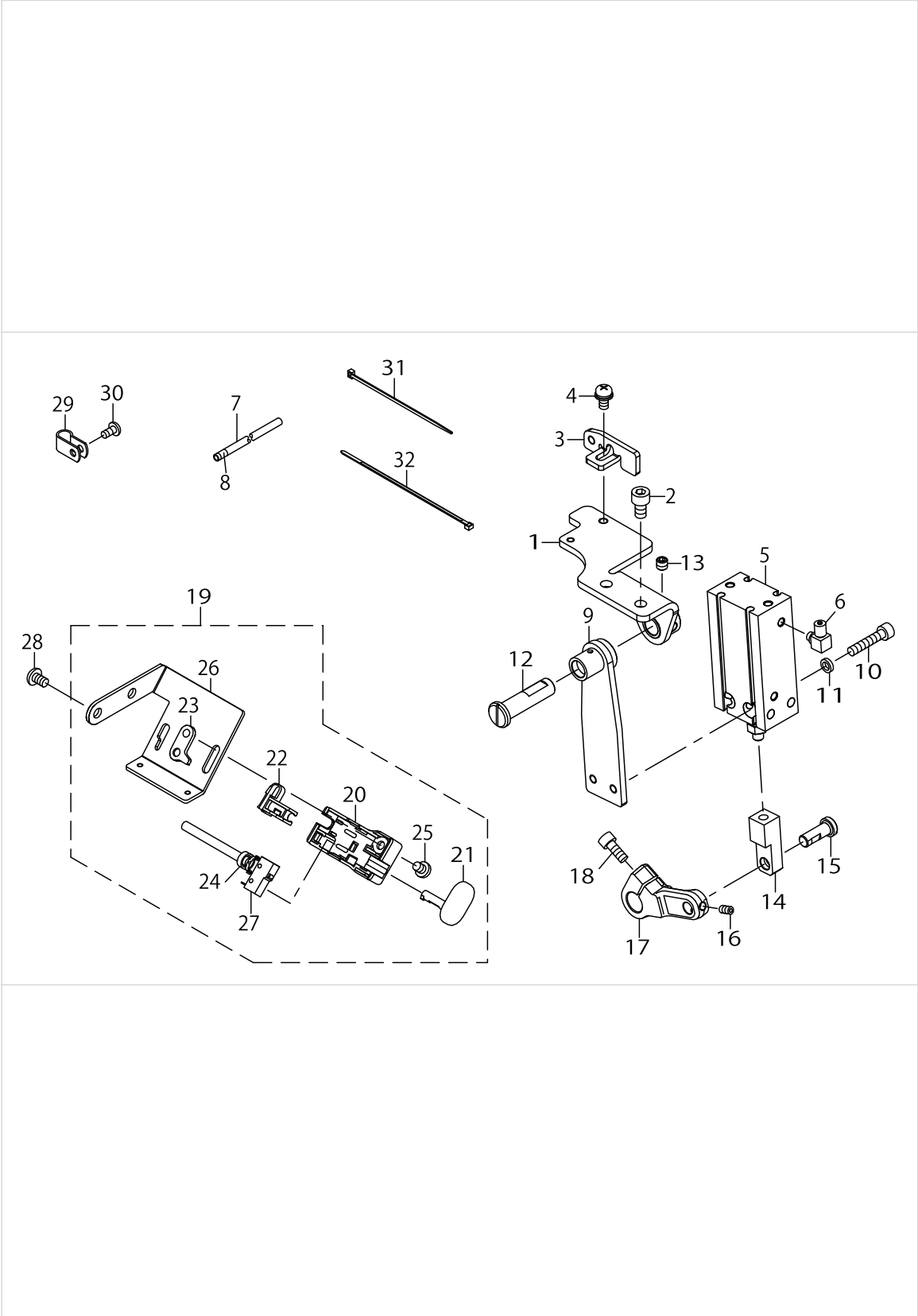
AUTO BT COMPONENTS (FOR LU-2828-7)



AUTO BT COMPONENTS (FOR LU-2828-7)

| No. | Supply Code | Parts No. | Replacement | Parts name | Remarks | Choice | Step | Level | Cons | Qty | Rep. QTY |
|-----|-------------|-------------|-------------|--------------------------------|---------|--------|------|-------|------|-----|----------|
| 1 | | SL4051091SC | | SCREW_M5X0.8_L=10 | | | | | | 1 | |
| 2 | | 40131603 | | BT_LINK_A | | | | | | 1 | |
| 3 | | 40131593 | | BT_LINK_B | | | | | | 1 | |
| 4 | | 40125872 | | CYLINDER_BRACKET | | | | | | 1 | |
| 5 | | 40112140 | | CYLINDER_STAY | | | | | | 1 | |
| 6 | | 40131608 | | CYLINDER_KNUCKLE_JOINT | | | | | | 1 | |
| 7 | | SM4050855SP | | SCREW | | | | | | 2 | |
| 8 | | 40177648 | | BT_LINK_STUD | | | | | | 1 | |
| 9 | | 40112228 | | MOTOR_COVER_FITTING_PLATE | | | | | | 1 | |
| 10 | | 40142208 | | AIR_CYLINDER | | | | | | 1 | |
| 11 | | SM6050802TP | | SCREW_M5X0.8_L=8 | | | | | | 2 | |
| 12 | | SM6061002TP | | SCREW_M6_L=10 | | | | | | 2 | |
| 13 | | BT0400251EB | | URETHANE_HOSE_BLACK | | | | | | .27 | |
| 14 | | PJ046052503 | | HOSE_ELBOW | | | | | | 1 | |
| 15 | | SM6056552TP | | SCREW | | | | | | 3 | |
| 16 | | 18035709 | | WIRE_MARK_(8) | | | | | | 1 | |
| 17 | | SD0800406TP | | SHOULDER_SCREW_D=8_H=4 | | | | | | 3 | |
| 18 | | NM6050001SE | | NUT_M5 | | | | | | 1 | |
| 19 | | 40112288 | | TB_SWITCH_ASSY | | | | | | 1 | |
| 20 | | 23632102 | | REVERSE_FEED_SWITCH_BASE_GUIDE | | | | * | | 1 | |
| 21 | | 40112213 | | TB_SW_MOUNTING_PLATE | | | | * | | 1 | |
| 22 | | 23631708 | | REVERSE_FEED_SWITCH_COVER | | | | * | | 1 | |
| 23 | | 23631807 | | REVERSE_FEED_SWITCH_SHAFT | | | | * | | 1 | |
| 24 | | 23631906 | | REVERSE_FEED_SWITCH_SUPPORT | | | | * | | 1 | |
| 25 | | SS7110740TP | | SCREW_11/64-40_L=7 | | | | * | | 1 | |
| 26 | | 40126129 | | REVERSE_FEED_CORD_ASM | | | | * | | 1 | |
| 27 | | EA9500B0100 | | CABLE_BAND | | | | * | | 1 | |

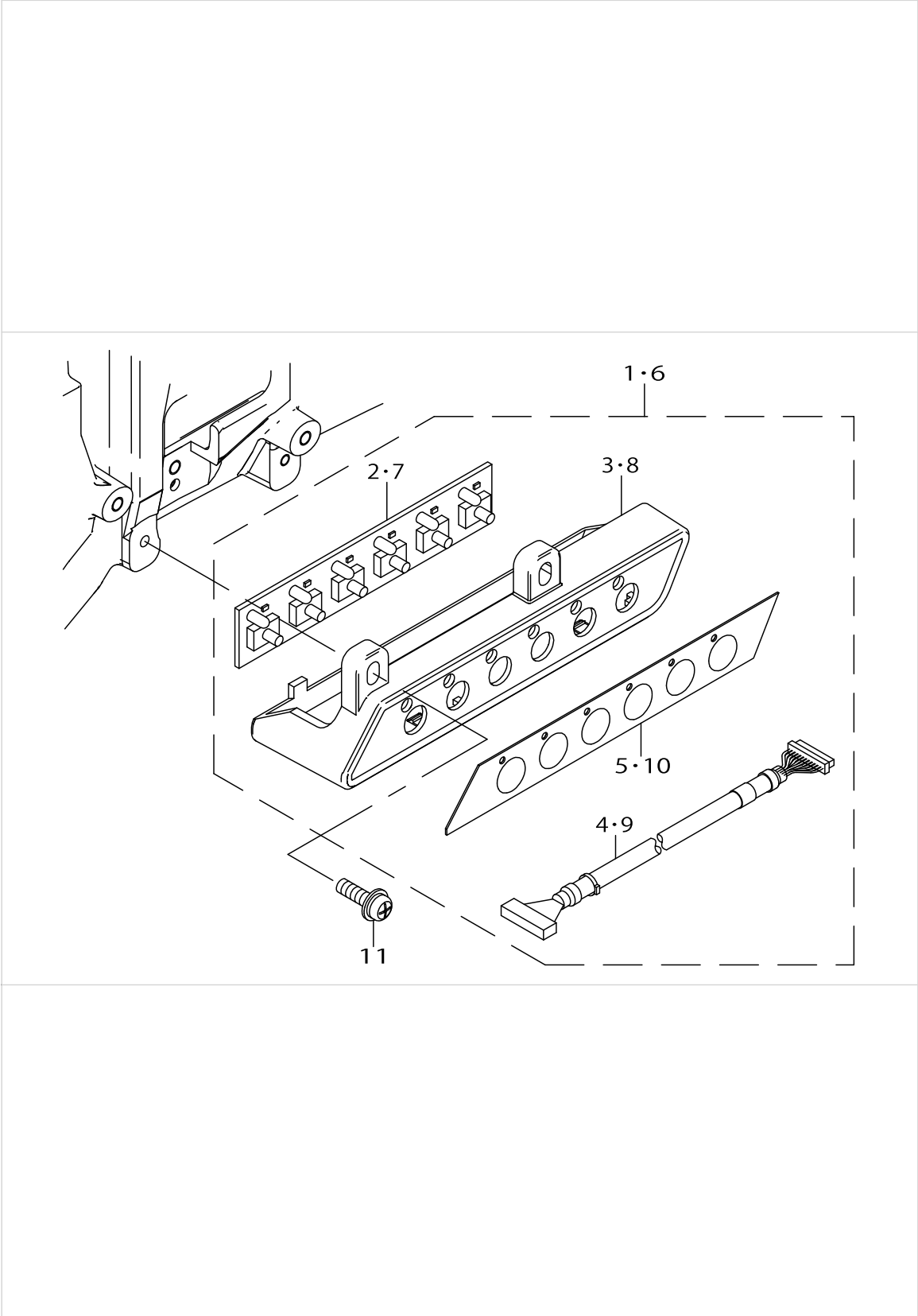
AUTO BT COMPONENTS (FOR LU-2828-6)



AUTO BT COMPONENTS (FOR LU-2828-6)

| No. | Supply Code | Parts No. | Replacement | Parts name | Remarks | Choice | Step | Level | Cons | Qty | Rep. QTY |
|-----|-------------|-------------|-------------|--------------------------------|---------|--------|------|-------|------|-----|----------|
| 1 | | 40142041 | | CYLINDER_BASE_ASM. | | | | | | 1 | |
| 2 | | SM6061002TP | | SCREW_M6_L=10 | | | | | | 2 | |
| 3 | | 40112228 | | MOTOR_COVER_FITTING_PLATE | | | | | | 1 | |
| 4 | | SL4051091SC | | SCREW_M5_L=10 | | | | | | 1 | |
| 5 | | PA2004004A0 | | CYLINDER | | | | | | 1 | |
| 6 | | PJ046052503 | | HOSE_ELBOW | | | | | | 1 | |
| 7 | | BT0400251EB | | URETHANE_TUBE_BLACK_4X2.5 | | | | | | .9 | |
| 8 | | 18035709 | | WIRE_MARK_(8) | | | | | | 1 | |
| 9 | | 40142040 | | CYLINDER_FITTING_PLATE_ASM. | | | | | | 1 | |
| 10 | | SM6052502TN | | SCREW | | | | | | 2 | |
| 11 | | 13441001 | | SPACER_2 | | | | | | 2 | |
| 12 | | 40006716 | | THREAD_TRIMMER_SHAFT | | | | | | 1 | |
| 13 | | SM8060612TP | | SCREW_M6_L=6 | | | | | | 2 | |
| 14 | | 40139485 | | FEED_ADJUSTING_LINK_ROD | | | | | | 1 | |
| 15 | | 40139486 | | FEED_ADJUSTING_LINK_SHAFT | | | | | | 1 | |
| 16 | | SM8050612TP | | SCREW_M5X6 | | | | | | 2 | |
| 17 | | 40131592 | | FEED_ADJUSTING_LINK_ARM | | | | | | 1 | |
| 18 | | SM6051202TP | | SCREW_M5X0.8_L=12 | | | | | | 1 | |
| 19 | | 40142048 | | TB_SW_ASSY | | | | | | 1 | |
| 20 | | 23631708 | | REVERSE_FEED_SWITCH_COVER | | | | * | | 1 | |
| 21 | | 23631807 | | REVERSE_FEED_SWITCH_SHAFT | | | | * | | 1 | |
| 22 | | 23631906 | | REVERSE_FEED_SWITCH_SUPPORT | | | | * | | 1 | |
| 23 | | 23632102 | | REVERSE_FEED_SWITCH_BASE_GUIDE | | | | * | | 1 | |
| 24 | | EA9500B0100 | | CABLE_BAND | | | | * | | 1 | |
| 25 | | SS7110740TP | | SCREW_11/64-40_L=7 | | | | * | | 1 | |
| 26 | | 40112213 | | TB_SW_MOUNTING_PLATE | | | | * | | 1 | |
| 27 | | 40142049 | | REVERSE_FEED_CORD_ASM | | | | * | | 1 | |
| 28 | | SM4050855SP | | SCREW | | | | | | 2 | |
| 29 | | HX00150000B | | CABLE_CLIP | | | | | | 1 | |
| 30 | | SM4040855SP | | SCREW | | | | | | 1 | |
| 31 | | EA9500B0100 | | CABLE_BAND | | | | | | 10 | |
| 32 | | HX00065000A | | CABLE_CLIP | | | | | | 10 | |

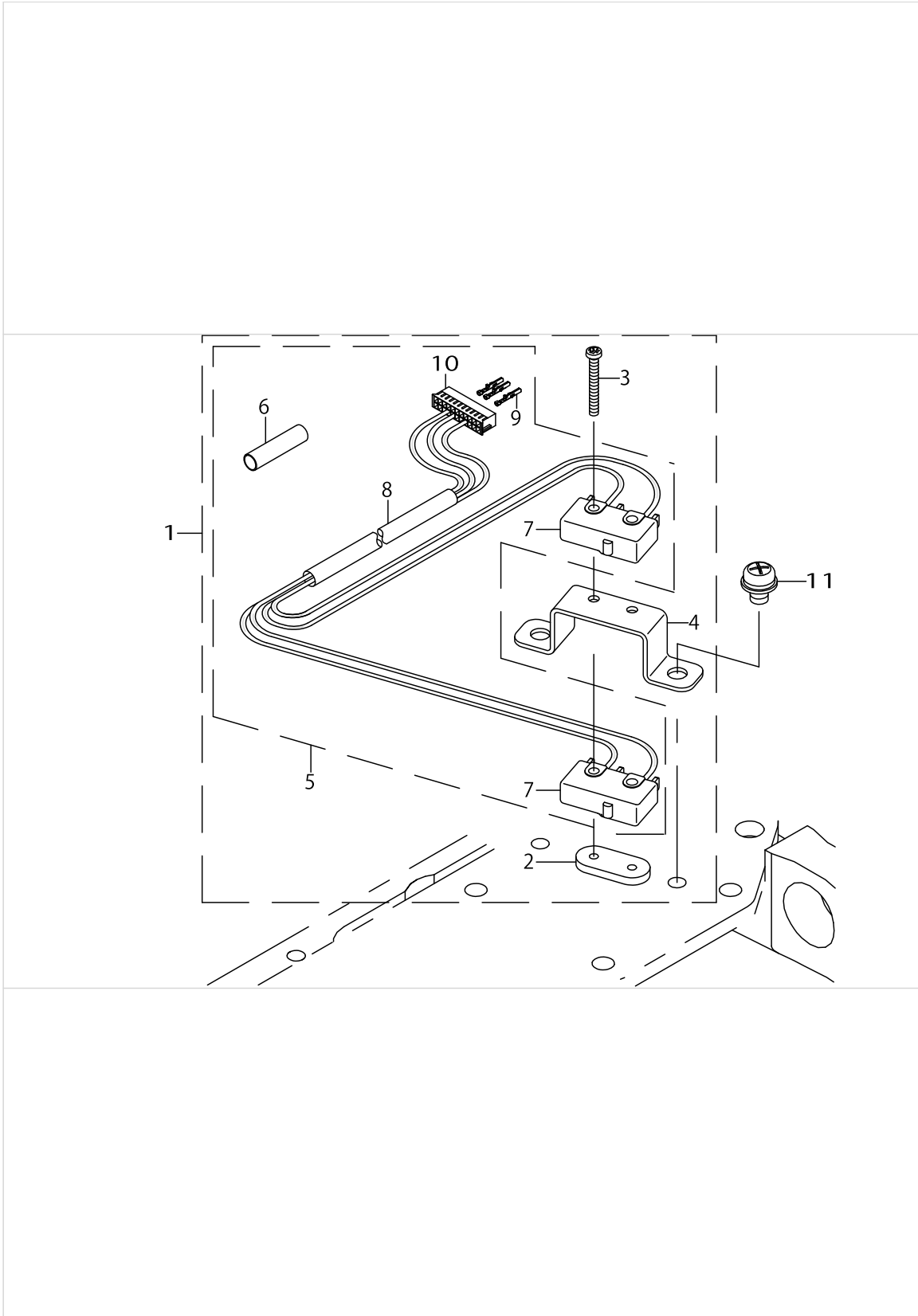
6-RANGE SW COMPONENTS



6-RANGE SW COMPONENTS

| No. | Supply Code | Parts No. | Replacement | Parts name | Remarks | Choice | Step | Level | Cons | Qty | Rep. QTY |
|-----|-------------|-------------|-------------|-------------------------|---------------|--------|---------|-------|------|-----|----------|
| 1 | | 40105508 | | 6RANGE_SWITCH_ASM | | | | | | 1 | |
| 2 | | 40105510 | | 6RANGE_SWITCH_PCB_ASSY | | | | * | | 1 | |
| 3 | R | 40112215 | 40105508 | 6RANGE_SWITCH_COVER | | A | LU2800 | * | | 1 | 1.00 |
| 3 | R | 40112215 | 40130287 | 6RANGE_SWITCH_COVER | | B | PLC2700 | * | | 1 | 1.00 |
| 4 | | 40105509 | | 6RANGE_SWITCH_CABLE_ASM | | | | * | | 1 | |
| 5 | | 40112216 | | PANEL_SHEET | | | | * | | 1 | |
| 6 | | 40142064 | | 6RANGE_SWITCH_ASM | FOR LU-2828-6 | | | | | 1 | |
| 7 | | 40105510 | | 6RANGE_SWITCH_PCB_ASSY | FOR LU-2828-6 | | | * | | 1 | |
| 8 | R | 40112215 | 40105508 | 6RANGE_SWITCH_COVER | FOR LU-2828-6 | A | LU2800 | * | | 1 | 1.00 |
| 8 | R | 40112215 | 40130287 | 6RANGE_SWITCH_COVER | FOR LU-2828-6 | B | PLC2700 | * | | 1 | 1.00 |
| 9 | | 40142054 | | 6RANGE_SWITCH_CABLE_ASM | FOR LU-2828-6 | | | * | | 1 | |
| 10 | | 40112216 | | PANEL_SHEET | FOR LU-2828-6 | | | * | | 1 | |
| 11 | | SL4041491SC | | SCREW_4X14 | | | | | | 2 | |

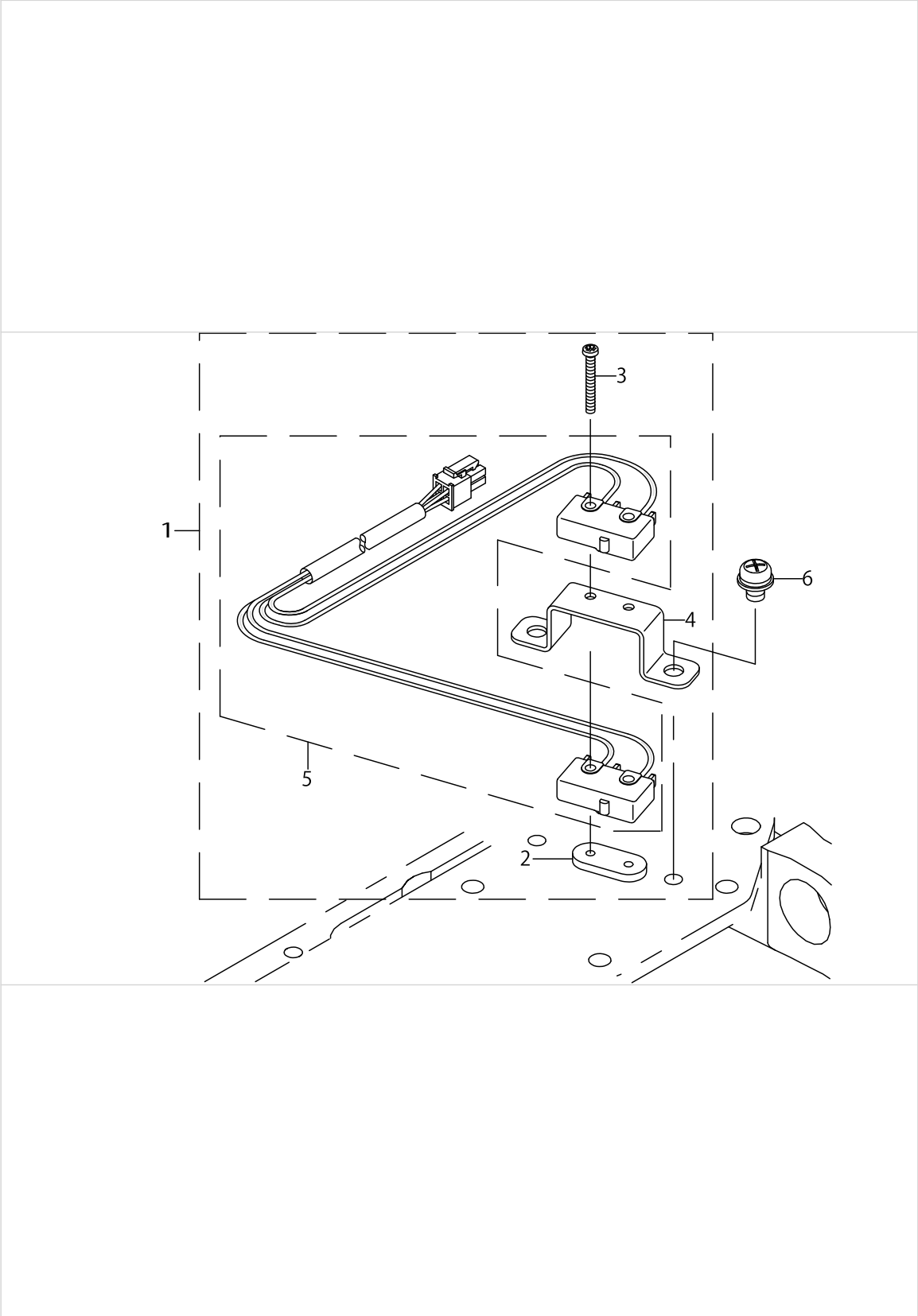
SPEED ADJUST COMPONENTS (FOR LU-2828-7)



SPEED ADJUST COMPONENTS (FOR LU-2828-7)

| No. | Supply Code | Parts No. | Replacement | Parts name | Remarks | Choice | Step | Level | Cons | Qty | Rep. QTY |
|-----|-------------|-------------|-------------|-------------------------------|---------|--------|------|-------|------|------|----------|
| 1 | | 40126260 | | VERTICAL_DETECT-OR_SWITCH_ASM | | | | | | 1 | |
| 2 | R | 23638406 | 23638059 | SAFETY_SWITCH_NUT | | | | * | | 1 | 1.00 |
| 3 | D | SM4021601SN | | SCREW_M2_L=16 | | | | * | | 2 | |
| 4 | | 40126259 | | SENSOR_BRACKET | | | | * | | 1 | |
| 5 | R | 40126131 | 40126260 | SPEED_CONTROL_CORD_ASM | | | | * | | 1 | 1.00 |
| 6 | | E8760452D00 | | TUBE_0.015M | | | | * | | 0.03 | |
| 7 | | HA004680000 | | SWITCH | | | | * | | 2 | |
| 8 | | HW000840040 | | 4-CORE_CABTYRE_CORD | | | | * | | 1.37 | |
| 9 | | HK075230000 | | TERMINAL | | | | * | | 3 | |
| 10 | | HK063610220 | | CONNECTOR | | | | * | | 1 | |
| 11 | | SL4040691SC | | SCREW_M4_L=6 | | | | * | | 2 | |

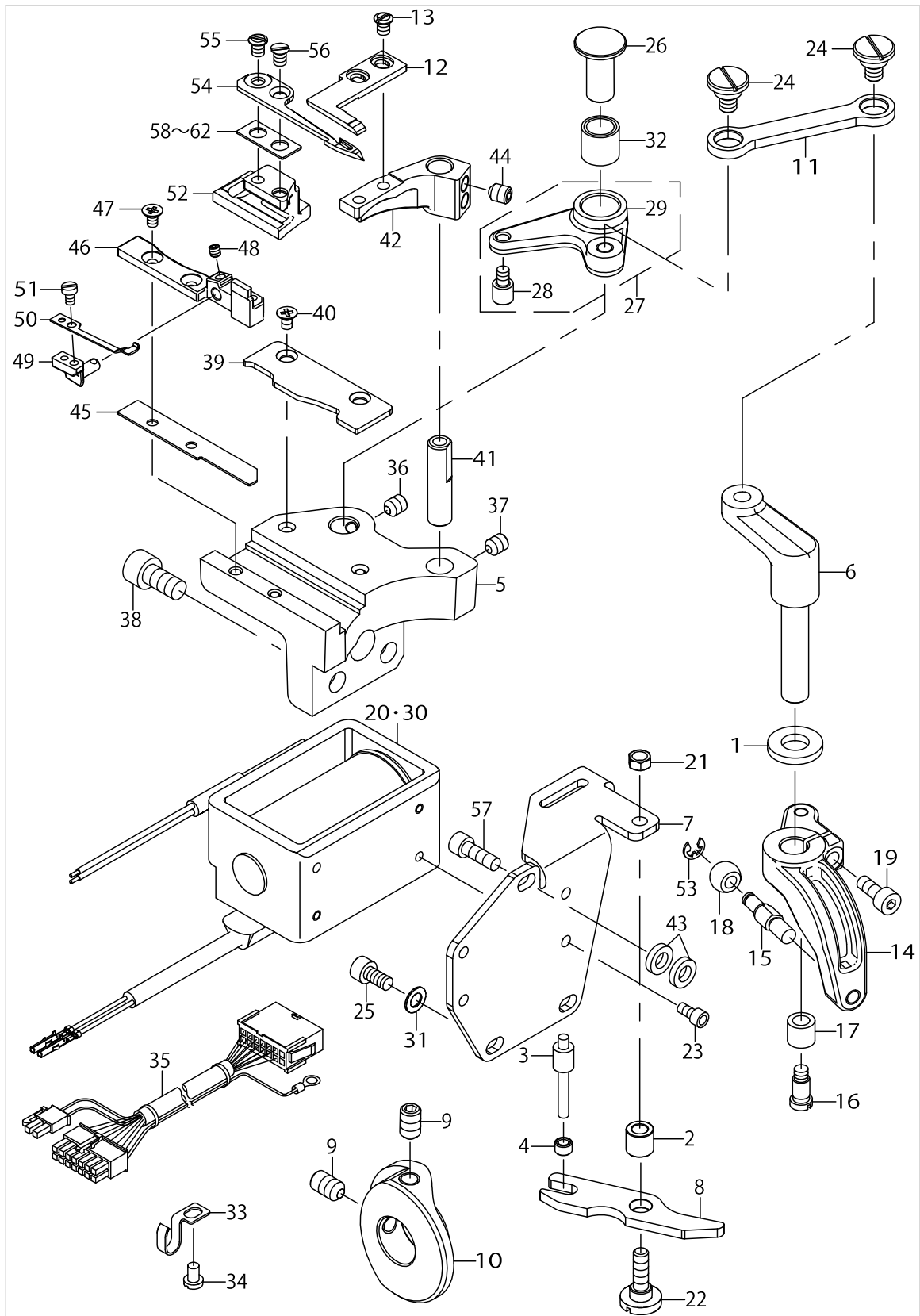
SPEED ADJUST COMPONENTS (FOR LU-2828-6)



SPEED ADJUST COMPONENTS (FOR LU-2828-6)

| No. | Supply Code | Parts No. | Replacement | Parts name | Remarks | Choice | Step | Level | Cons | Qty | Rep. QTY |
|-----|-------------|-------------|-------------|-------------------------------|---------|--------|------|-------|------|-----|----------|
| 1 | | 40142065 | | VERTICAL_DETECT-OR_SWITCH_ASM | | | | | | 1 | |
| 2 | R | 23638406 | 23638059 | SAFETY_SWITCH_NUT | | | | * | | 1 | 1.00 |
| 3 | D | SM4021601SN | | SCREW_M2_L=16 | | | | * | | 2 | |
| 4 | | 40126259 | | SENSOR_BRACKET | | | | * | | 1 | |
| 5 | | 40142053 | | SPEED_CONTRL_CORD_ASM | | | | * | | 1 | |
| 6 | | SL4040691SC | | SCREW_M4_L=6 | | | | | | 2 | |

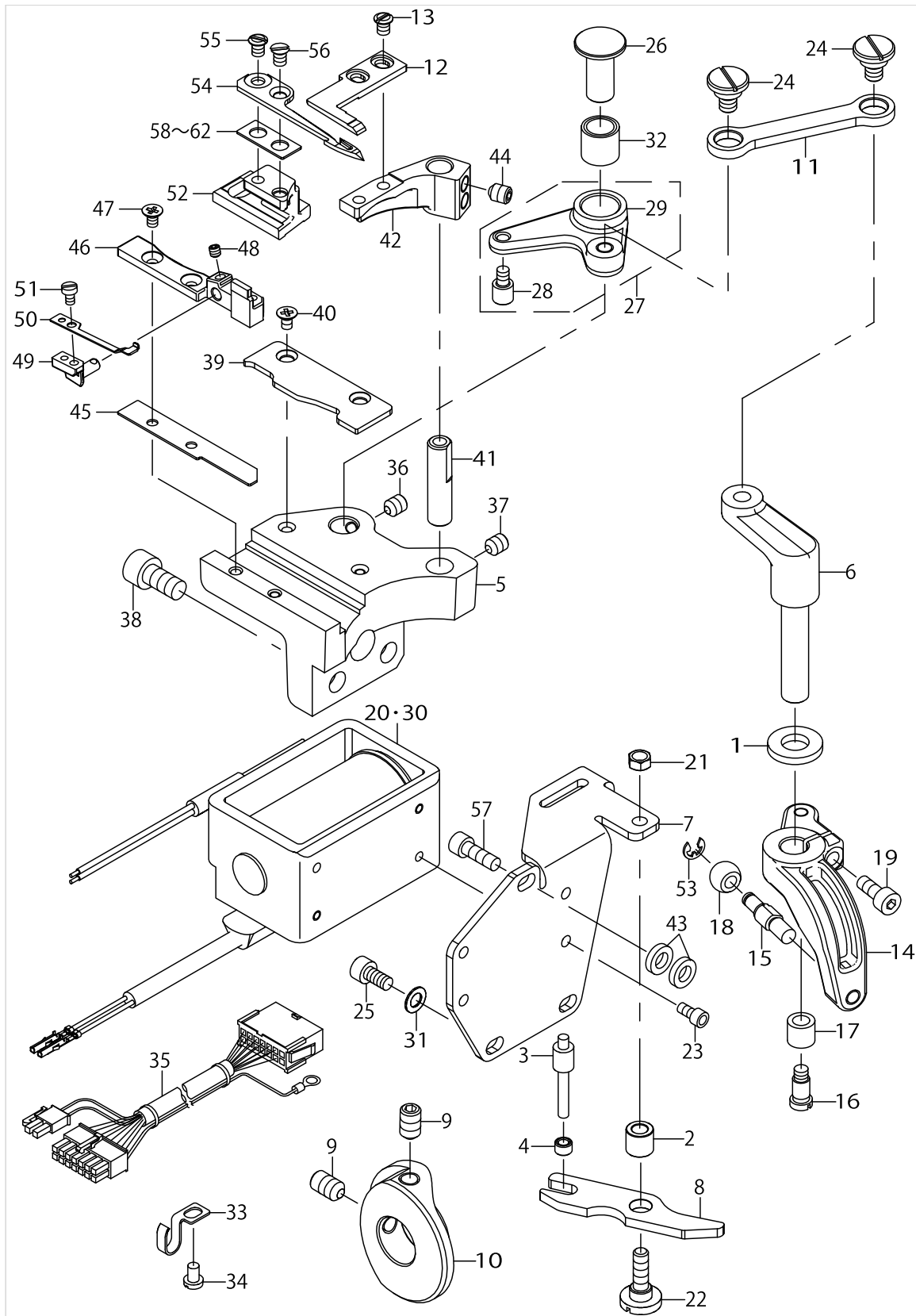
THREAD CUTTING COMPONENTS



THREAD CUTTING COMPONENTS

| No. | Supply Code | Parts No. | Replacement | Parts name | Remarks | Choice | Step | Level | Cons | Qty | Rep. QTY |
|-----|-------------|-------------|-------------|-------------------------------|---------------|--------|--------|-------|------|-----|----------|
| 1 | | B185351200E | | HOOK_SHAFT_WASHER | | | | | | 1 | |
| 2 | | 22956205 | | WIPER_HINGE_SCREW_COLLAR | | | | | | 1 | |
| 3 | | 22957104 | | WIPER_SOLENOID_SHAFT | | | | | | 1 | |
| 4 | | 22957203 | | WIPER_LINK_COLLAR | | | | | | 1 | |
| 5 | | 40147930 | | KNIFE_BASE | | | | | | 1 | |
| 6 | | 40131636 | | M_KNIFE_DRIVING_SHAFT | | | | | | 1 | |
| 7 | | 40131640 | | THREAD_TRIMMER_SOL_BASE_PLATE | | | | | | 1 | |
| 8 | | 40131638 | | KNIFE_DRIVING_ARM_LINK | | | | | | 1 | |
| 9 | | SM8061002TP | | SCREW_M6_L=10 | | | | | | 2 | |
| 10 | | 40131633 | | S_TRM_CAM_R | | | | | | 1 | |
| 11 | | 40131635 | | CONNECTION_LINK | | | | | | 1 | |
| 12 | | 40135498 | | FIXED_KNIFE | | | | | ☆ | 1 | |
| 13 | | SS6090580TP | | SCREW_9/64-40_L=4.5 | | | | | | 2 | |
| 14 | | 40131637 | | MOVING_KNIFE_DRIVING_ARM | | | | | | 1 | |
| 15 | | 40130593 | | ROLLER_SHAFT | | | | | | 1 | |
| 16 | | SD0500726TP | | SHOULDER_SCREW_D=5_H=7.2 | | | | | | 1 | |
| 17 | | 13737804 | | DRIVING_ARM_BOSS_ROLLER | | | | | | 1 | |
| 18 | | 21470505 | | CAM_ROLLER(245-7SP) | | | | | | 1 | |
| 19 | | SM6041002TP | | SCREW_M4_L=10 | | | | | | 1 | |
| 20 | | 40137921 | | THREAD_TRIMMER_SOLENOID | | | | | | 1 | |
| 21 | | NS6110310SP | | NUT_11/64-40 | | | | | | 1 | |
| 22 | | SD0650321TP | | HINGE_SCREW_D=6.5_H=3.2 | | | | | | 1 | |
| 23 | | SM6030602TP | | SCREW_M3X0.5_L=6 | | | | | | 4 | |
| 24 | | SD0800329TP | | SHOULDER_SCREW | | | | | | 2 | |
| 25 | | SM6040802TP | | SCREW_M4X0.7_L=8 | | | | | | 2 | |
| 26 | | 40135897 | | M_KNIFE_SUPPORT_PIN | | | | | | 1 | |
| 27 | | 40149043 | | ASSY_KNIFE_DRIVING_ARM | | | | | | 1 | |
| 28 | R | 40012499 | 40012497 | KNIFE_BASE_SHAFT_PIN | | A | LH4100 | * | ☆ | 1 | 1.00 |
| 28 | R | 40012499 | 40149043 | KNIFE_BASE_SHAFT_PIN | | B | LU2800 | * | ☆ | 1 | 1.00 |
| 29 | | 40131617 | | M_KNIFE_DRIVING_ARM | | | | * | | 1 | |
| 30 | | 40142050 | | THREAD_TRIMMER_SOLENOID | FOR LU-2828-6 | | | | | 1 | |
| 31 | | WP0450000SD | | WASHER_4.5X8X0.5 | | | | | | 3 | |
| 32 | | SB30800140A | | BEARING | | | | | | 1 | |
| 33 | | 26231902 | | OIL_WICK_PIPE_STOPPER | | | | | | 1 | |
| 34 | | SM4040655SP | | SCREW_M4_L=6 | | | | | | 1 | |
| 35 | | 40126130 | | SOLENOID_RELAY_CABLE_ASM | | | | | | 1 | |
| 36 | | SM80506A2TP | | SCREW M5 L=6 | | | | | | 1 | |
| 37 | | SM80506A2TP | | SCREW_M5_L=6 | | | | | | 2 | |
| 38 | | SM6061202TP | | SCREW_M6_L=12 | | | | | | 2 | |
| 39 | | 40147927 | | D_KNIFE_BASE_GUIDE_R | | | | | | 1 | |
| 40 | | SM1030601SN | | SCREW_M3X0.5_L=6 | | | | | | 2 | |
| 41 | | 40131616 | | F_KNIFE_BASE_SHAFT | | | | | | 1 | |
| 42 | | 40147928 | | F_KNIFE_BASE | | | | | | 1 | |
| 43 | | 40021606 | | WASHER(B) | | | | | | 2 | |
| 44 | | SS8110422TP | | SCREW_11/64-40_L=4 | | | | | | 2 | |
| 45 | | 40147929 | | DRIVING_KNIFE_SUPPORT_SPACER | | | | | | 1 | |

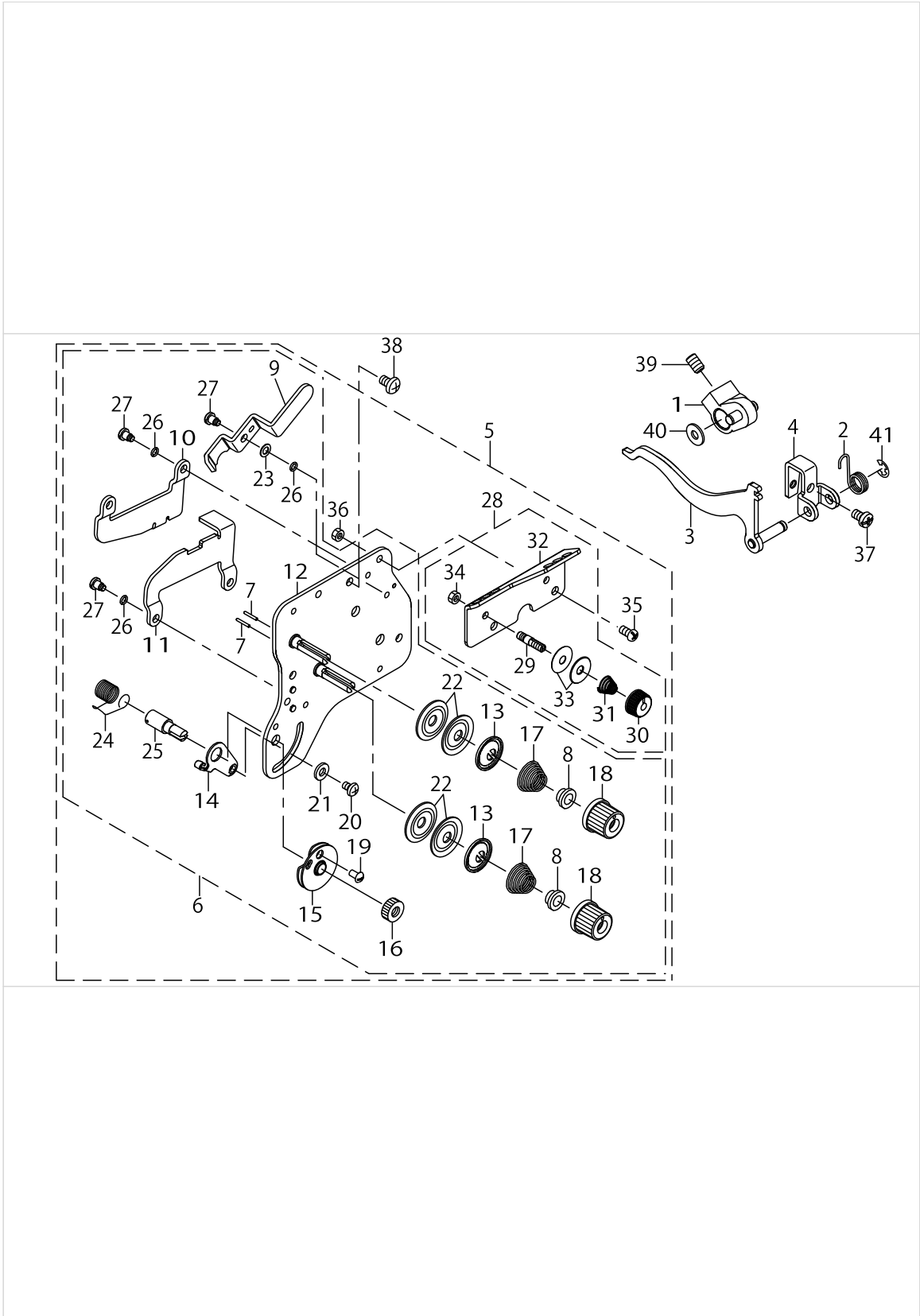
THREAD CUTTING COMPONENTS



THREAD CUTTING COMPONENTS

| No. | Supply Code | Parts No. | Replacement | Parts name | Remarks | Choice | Step | Level | Cons | Qty | Rep. QTY |
|-----|-------------|-------------|-------------|----------------------------|-----------------|--------|------|-------|------|-----|----------|
| 46 | | 40147926 | | D_KNIFE_SPPORT_R | | | | | | 1 | |
| 47 | | SM1030601SN | | SCREW_M3X0.5_L=6 | | | | | | 2 | |
| 48 | | SM8030312TP | | SCREW_M3_L=3 | | | | | | 1 | |
| 49 | | 40134967 | | CLAMP_SPRING_BASE | | | | | | 1 | |
| 50 | | 40135955 | | CLAMP_SPRING | | | | | ☆ | 1 | |
| 51 | | SM6850400SP | | SCREW_M2.5_L=4 | | | | | | 1 | |
| 52 | | 40147937 | | DRIVING_KNIFE_BASE | | | | | | 1 | |
| 53 | | RE0300000K0 | | E-RING_3 | | | | | | 1 | |
| 54 | | 40147938 | | DRIVING_KNIFE | | | | | ☆ | 1 | |
| 55 | | SS6090580TP | | SCREW_9/64-40_L=4.5 | | | | | | 1 | |
| 56 | | SS1090520TP | | SCREW_9/64-40_L=5 | | | | | | 1 | |
| 57 | | SM6041202TP | | SCREW_M4X0.7_L=12 | | | | | | 1 | |
| 58 | | 40147932 | | DRIVING_KNIFE_SPACER_T=0.4 | SELECTIVE PARTS | | | | | 1 | |
| 59 | | 40147933 | | DRIVING_KNIFE_SPACER_T=0.5 | SELECTIVE PARTS | | | | | 1 | |
| 60 | | 40147934 | | DRIVING_KNIFE_SPACER_T=0.6 | SELECTIVE PARTS | | | | | 1 | |
| 61 | | 40147935 | | DRIVING_KNIFE_SPACER_T=0.7 | SELECTIVE PARTS | | | | | 1 | |
| 62 | | 40147936 | | DRIVING_KNIFE_SPACER_T=0.8 | SELECTIVE PARTS | | | | | 1 | |

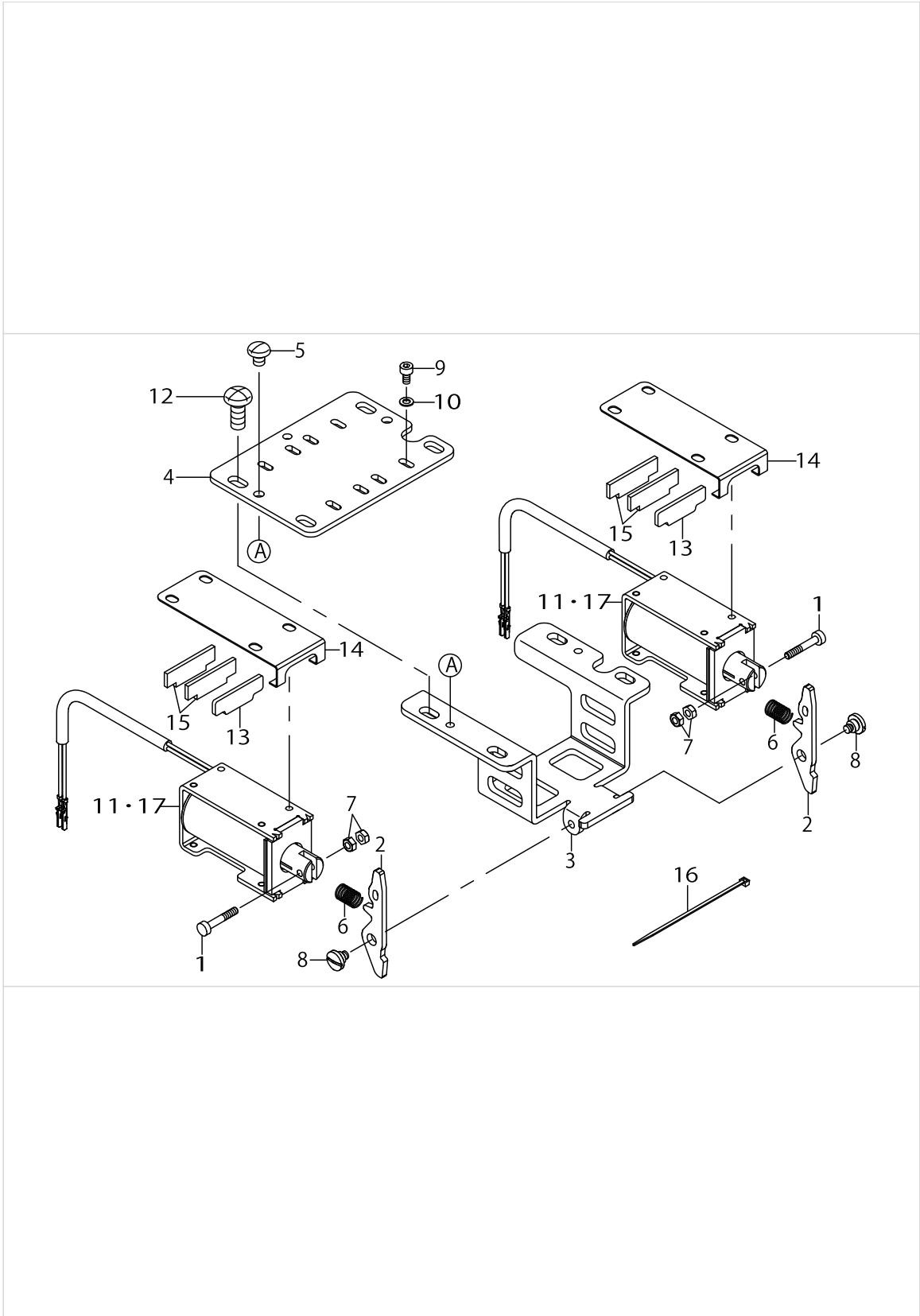
THREAD TENSION COMPONENTS



THREAD TENSION COMPONENTS

| No. | Supply Code | Parts No. | Replacement | Parts name | Remarks | Choice | Step | Level | Cons | Qty | Rep. QTY |
|-----|-------------|-------------|-------------|------------------------------------|---------|--------|------|-------|------|-----|----------|
| 1 | | 22912257 | | FEED_REVERSE_ARM_ASM. | | | | | | 1 | |
| 2 | | 22954309 | | REVERSE_FEED_SWITCH_SPRING | | | | | | 1 | |
| 3 | | 40126265 | | DISK_RELEASE_LINK_ASM | | | | | | 1 | |
| 4 | | 40125873 | | DISK_RELEASE_LINK_BASE | | | | | | 1 | |
| 5 | | 40155956 | | THREAD_TENSION_ASSY_2810 | | | | | | 1 | |
| 6 | | 40161459 | | THREAD_TENSION_- PLATE_ASM_2810 | | | | * | | 1 | |
| 7 | | 22618201 | | TENSION_RELEASE_PIN_A | | | | * | ☆ | 2 | |
| 8 | | B3112704000 | | TENSION_SPRING_BUSHING | | | | * | | 2 | |
| 9 | | 40112204 | | TENSION_RELEASE_LEVER | | | | * | | 1 | |
| 10 | | 40112218 | | DISK_RELEASE_PLATE_A | | | | * | | 1 | |
| 11 | | 40112219 | | DISK_RELEASE_PLATE_B | | | | * | | 1 | |
| 12 | | 40126404 | | ASSY_TENSION_BASE_PLATE_2810 | | | | * | | 1 | |
| 13 | | 40126724 | | TENSION_DISC HOLDER | | | | * | | 2 | |
| 14 | | 10697506 | | THREAD_TENSION_BRACKET_A | | | | * | | 1 | |
| 15 | | B31375270A0 | | TAKE-UP_SPRING_GUIDE_ASM. | | | | * | | 1 | |
| 16 | R | 22617807 | 22928808 | NUT | | | | * | | 1 | 1.00 |
| 17 | | 12938304 | | TENSION_SPRING | | | | * | ☆ | 2 | |
| 18 | | 13817408 | | THREAD_TENSION_NUT | | | | * | ☆ | 2 | |
| 19 | | SS3090710TP | | SCREW_9/64-40_L=7 | | | | * | | 1 | |
| 20 | | SS4110615SP | | SCREW_11/64-40_L=6 | | | | * | | 1 | |
| 21 | | WP0501016SD | | WASHER_5X10.5X1 | | | | * | | 1 | |
| 22 | | 22921506 | | THREAD TENSION DISK | | | | * | | 4 | |
| 23 | | WP0460556SD | | WASHER_4.6X7.5X0.5 | | | | * | | 1 | |
| 24 | | 22618706 | | THREAD_TAKE-UP_SPRING_A | | | | * | ☆ | 1 | |
| 25 | | 10320109 | | SCREW_STUD | | | | * | | 1 | |
| 26 | | RO037180100 | | RUBBER_RING | | | | * | | 5 | |
| 27 | | SD0450401SP | | HINGE_SCREW_D=4.5_H=4 | | | | * | | 5 | |
| 28 | | 40155958 | | THREAD_GUIDE_PLATE_ASM_2810 | | | | * | | 1 | |
| 29 | | 40155994 | | TEREAD_TENSION_POST_A | | | | * | | 1 | |
| 30 | | 22945703 | | THREAD_TENSION_NUT | | | | * | | 1 | |
| 31 | R | 22963409 | 22963458 | THREAD_TENSION_SPRING | | | | * | ☆ | 1 | 1.00 |
| 32 | | 40155960 | | THREAD_GUIDE_PLATE | | | | * | | 1 | |
| 33 | | 22945802 | | THREAD_TENSION_DISK | | | | * | | 1 | |
| 34 | | NS6110310SP | | NUT_11/64-40 | | | | * | | 1 | |
| 35 | | SS4110815SP | | SCREW 11/64-40 L=8 | | | | * | | 2 | |
| 36 | | NS6110310SP | | HEXAGONAL NUT 11/64-40 | | | | * | | 2 | |
| 37 | | SM4050855SP | | SCREW | | | | * | | 1 | |
| 38 | | SM4051001SN | | SCREW_M5 | | | | * | | 3 | |
| 39 | | SS8661012TP | | SCREW | | | | * | | 1 | |
| 40 | | 22528509 | | FELT | | | | * | | 1 | |
| 41 | | RE050000K0 | | E-RING | | | | * | | 1 | |

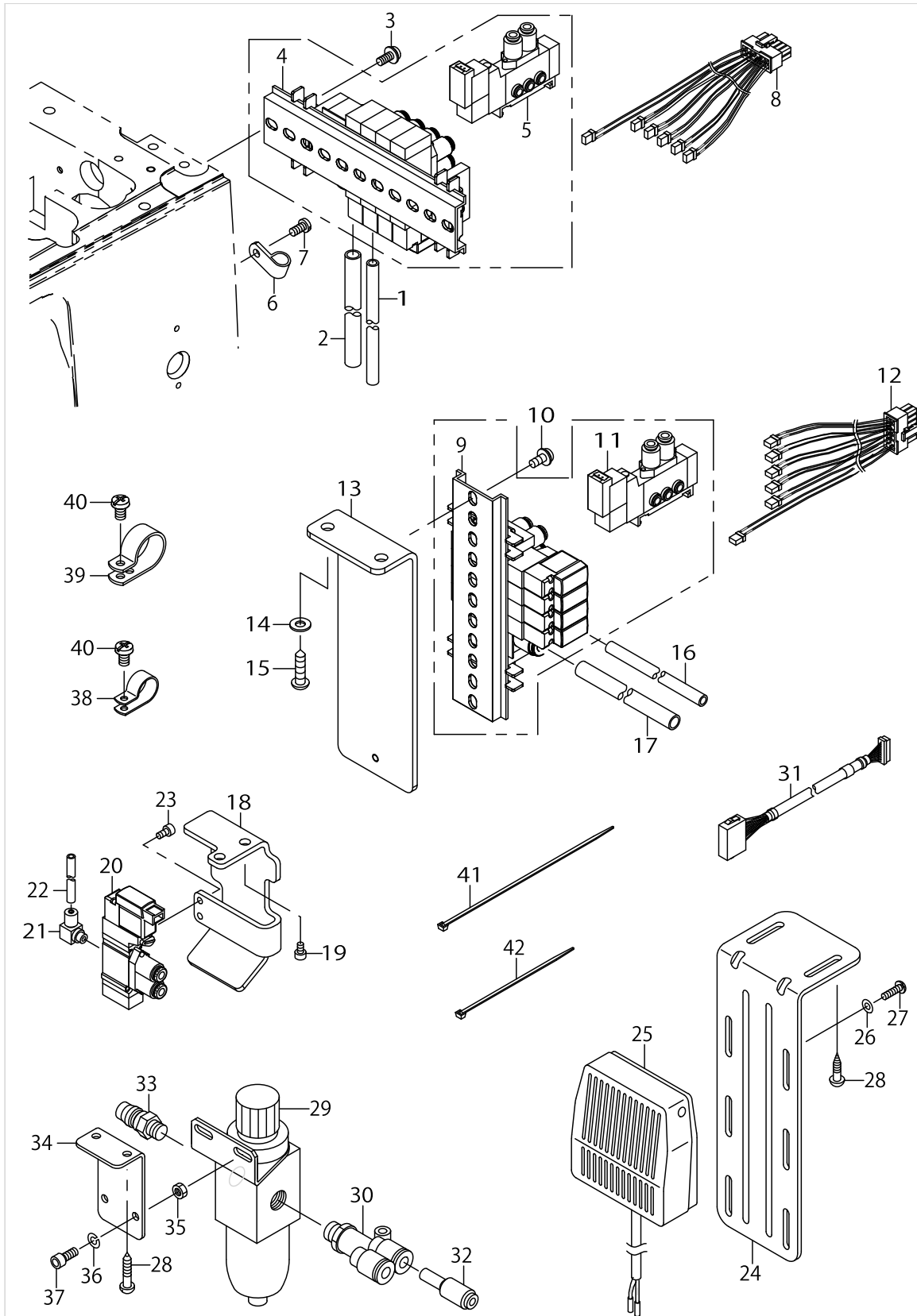
TENSION RELEASE COMPONENTS



TENSION RELEASE COMPONENTS

| No. | Supply Code | Parts No. | Replacement | Parts name | Remarks | Choice | Step | Level | Cons | Qty | Rep. QTY |
|-----|-------------|-------------|-------------|------------------------------|---------------|--------|------|-------|------|-----|----------|
| 1 | | 23542418 | | CLUTCH_LINK_PIN | | | | | | 2 | |
| 2 | | 40125948 | | RELEASE_SOLENOID_LINK | | | | | | 2 | |
| 3 | | 40126263 | | SOLENOID_LINK_MOUNTING_PLATE | | | | | | 1 | |
| 4 | | 40125949 | | RELEASE_SOLENOID_BASE | | | | | | 1 | |
| 5 | | SS4090515SP | | SCREW_9/64-40_L=5 | | | | | | 2 | |
| 6 | | 32055501 | | AT_(UPPER)_SPRING | | | | | | 2 | |
| 7 | | NM6030001SC | | NUT_M3X0.5_TYPE1 | | | | | | 4 | |
| 8 | | SD0550271TP | | HINGE_SCREW_D=5.5_H=2.7 | | | | | | 2 | |
| 9 | | SM6030602TP | | SCREW_M3X0.5_L=6 | | | | | | 8 | |
| 10 | R | WP0320501SE | WP0320501SC | WASHER_3.2X7X0.5 | | | | | | 8 | 1.00 |
| 11 | | 40112285 | | TENSION_RELEASE_SOLENOID | | | | | | 2 | |
| 12 | | SM4051255SP | | SCREW_M5_L=12 | | | | | | 4 | |
| 13 | | 40126563 | | STOPPER_PLATE | | | | | | 2 | |
| 14 | | 40126562 | | RUBBER HOLDER | | | | | | 2 | |
| 15 | | 40086679 | | WIPER_STOPPER_RUBBER | | | | | | 4 | |
| 16 | | EA9500B0100 | | CABLE_BAND | | | | | | 1 | |
| 17 | | 40142051 | | TENSION_RELEASE_SOLENOID | FOR LU-2828-6 | | | | | 2 | |

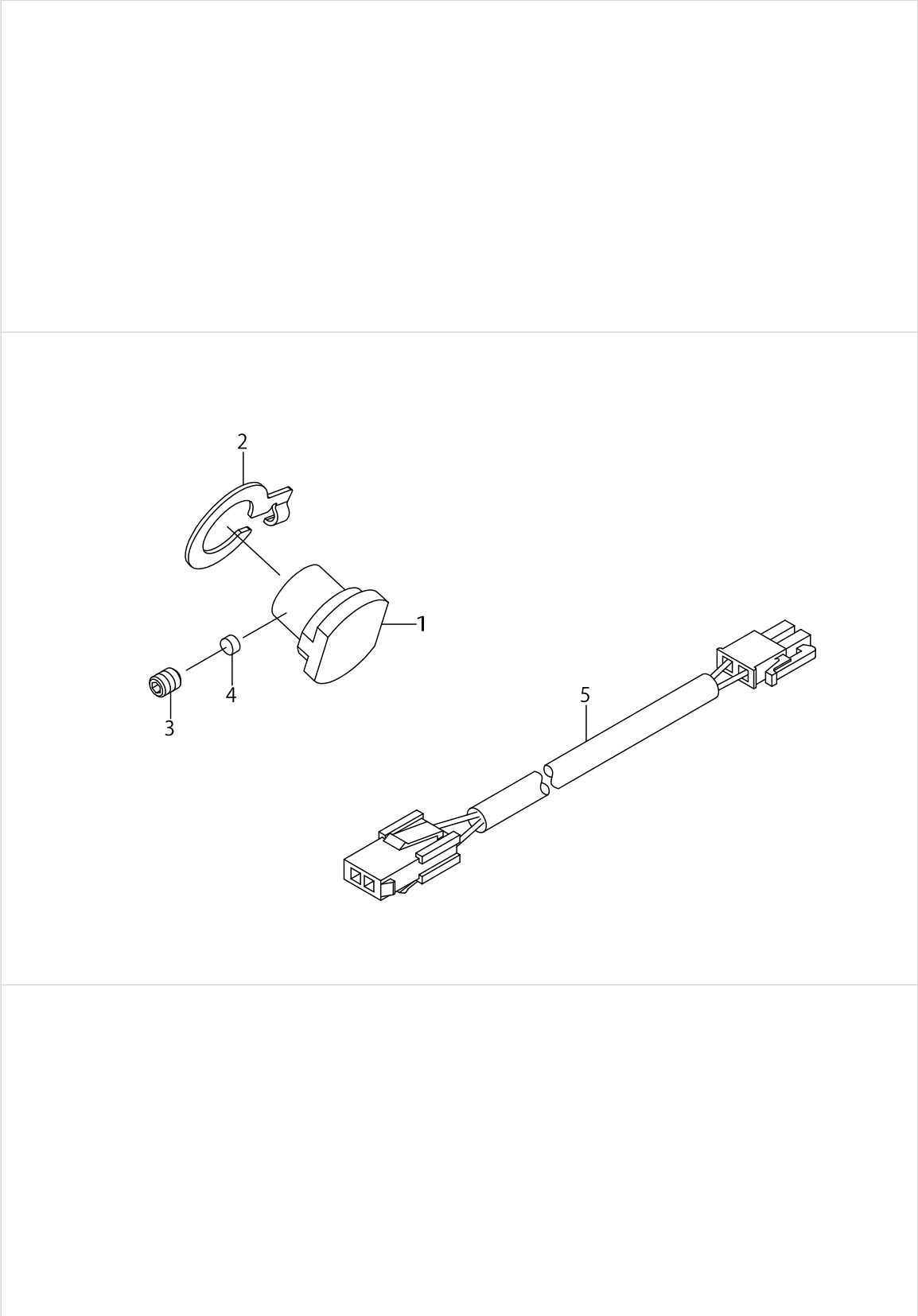
PNEUMATIC COMPONENTS



PNEUMATIC COMPONENTS

| No. | Supply Code | Parts No. | Replacement | Parts name | Remarks | Choice | Step | Level | Cons | Qty | Rep. QTY |
|-----|-------------|-------------|-------------|--------------------------------|---------------|--------|------|-------|------|-----|----------|
| 1 | | BT0600401EB | | TUBE | FOR LU-2828-7 | | | | | 1.1 | |
| 2 | | BT0800501EB | | VINYL_TUBE | FOR LU-2828-7 | | | | | 1.1 | |
| 3 | | SL4041091SC | | SCREW_M4_L=10 | FOR LU-2828-7 | | | | | 2 | |
| 4 | | 40126545 | | SOLENOID_VALVE_ASSY | FOR LU-2828-7 | | | | | 1 | |
| 5 | | PV150209000 | | 5_PORT_SOLENOID_VALVE | FOR LU-2828-7 | | | | | 1 | |
| 6 | | HX00150000C | | CABLE_CLIP | FOR LU-2828-7 | | | | | 1 | |
| 7 | | SM4040855SP | | SCREW | FOR LU-2828-7 | | | | | 1 | |
| 8 | | 40137611 | | SOLENOID_VALVE_CABLE_ASM | FOR LU-2828-7 | | | | | 1 | |
| 9 | | 40126545 | | SOLENOID_VALVE_ASSY | FOR LU-2828-6 | | | | | 1 | |
| 10 | | SL4041091SC | | SCREW_M4_L=10 | FOR LU-2828-6 | | | | | 2 | |
| 11 | | PV150209000 | | 5_PORT_SOLENOID_VALVE | FOR LU-2828-6 | | | | | 1 | |
| 12 | | 40137611 | | SOLENOID_VALVE_CABLE_ASM | FOR LU-2828-6 | | | | | 1 | |
| 13 | | 40030950 | | SOLENOID_VALVE_FITTING_BASE | FOR LU-2828-6 | | | | | 1 | |
| 14 | | WP0501016SD | | WASHER_5X10.5X1 | FOR LU-2828-6 | | | | | 2 | |
| 15 | | SK3512001SE | | WOOD_SCREW_D=5.1_L=20 | FOR LU-2828-6 | | | | | 2 | |
| 16 | | BT0600401EB | | TUBE | FOR LU-2828-6 | | | | | 1.1 | |
| 17 | | BT0800501EB | | VINYL_TUBE | FOR LU-2828-6 | | | | | 1.1 | |
| 18 | | 40147925 | | SOLENOID_VALVE_COVER | | | | | | 1 | |
| 19 | | SM6050802TP | | SCREW_M5X0.8_L=8 | | | | | | 2 | |
| 20 | | PV150206000 | | 5-PORT_CUT-OVER-SOLENOID_VALVE | | | | | | 1 | |
| 21 | | PJ046052503 | | HOSE_ELBOW | | | | | | 1 | |
| 22 | | BT0400251EB | | URETHANE_HOSE_BLACK | | | | | | 1.1 | |
| 23 | | SM6030602TP | | SCREW_M3X0.5_L=6 | | | | | | 2 | |
| 24 | | 40126266 | | KNEE_SWITCH_BASE_PLATE | | | | | | 1 | |
| 25 | | 40105518 | | KNEE_SW_ASM | | | | | | 1 | |
| 26 | | WP0430801SC | | WASHER_M4 | | | | | | 2 | |
| 27 | | ST4041451SN | | TAPPING_SCREW | | | | | | 2 | |
| 28 | | SK3482001SE | | WOOD_SCREW_D=4.8_L=20 | | | | | | 4 | |
| 29 | | PF055107000 | | FILTER_REGULATOR | | | | | | 1 | |
| 30 | | PJ308065101 | | BRANCH | | | | | | 1 | |
| 31 | | 40126127 | | AIR_VALVE_RELAY_CABLE_ASM | FOR LU-2828-7 | | | | | 1 | |
| 32 | | PJ301040001 | | REDUCER | | | | | | 1 | |
| 33 | | PJ025100003 | | PLUG | | | | | | 1 | |
| 34 | | 13860408 | | REGULATOR_BRACKET | | | | | | 1 | |
| 35 | | NM6050001SP | | NUT_M5 | | | | | | 2 | |
| 36 | | WS0510002KN | | SPRING_WASHER_M5 | | | | | | 2 | |
| 37 | | SM6051202TP | | SCREW_M5X0.8_L=12 | | | | | | 2 | |
| 38 | | HX00150000H | | CABLE_CLIP | FOR LU-2828-7 | | | | | 1 | |
| 39 | | HX00150000M | | CABLE_CLIP | FOR LU-2828-7 | | | | | 1 | |
| 40 | | SM4040855SP | | SCREW | FOR LU-2828-7 | | | | | 2 | |
| 41 | | EA9500B0200 | | CABLE_BAND_150 | | | | | | 3 | |
| 42 | | EA9500B0100 | | CABLE_BAND | | | | | | 2 | |

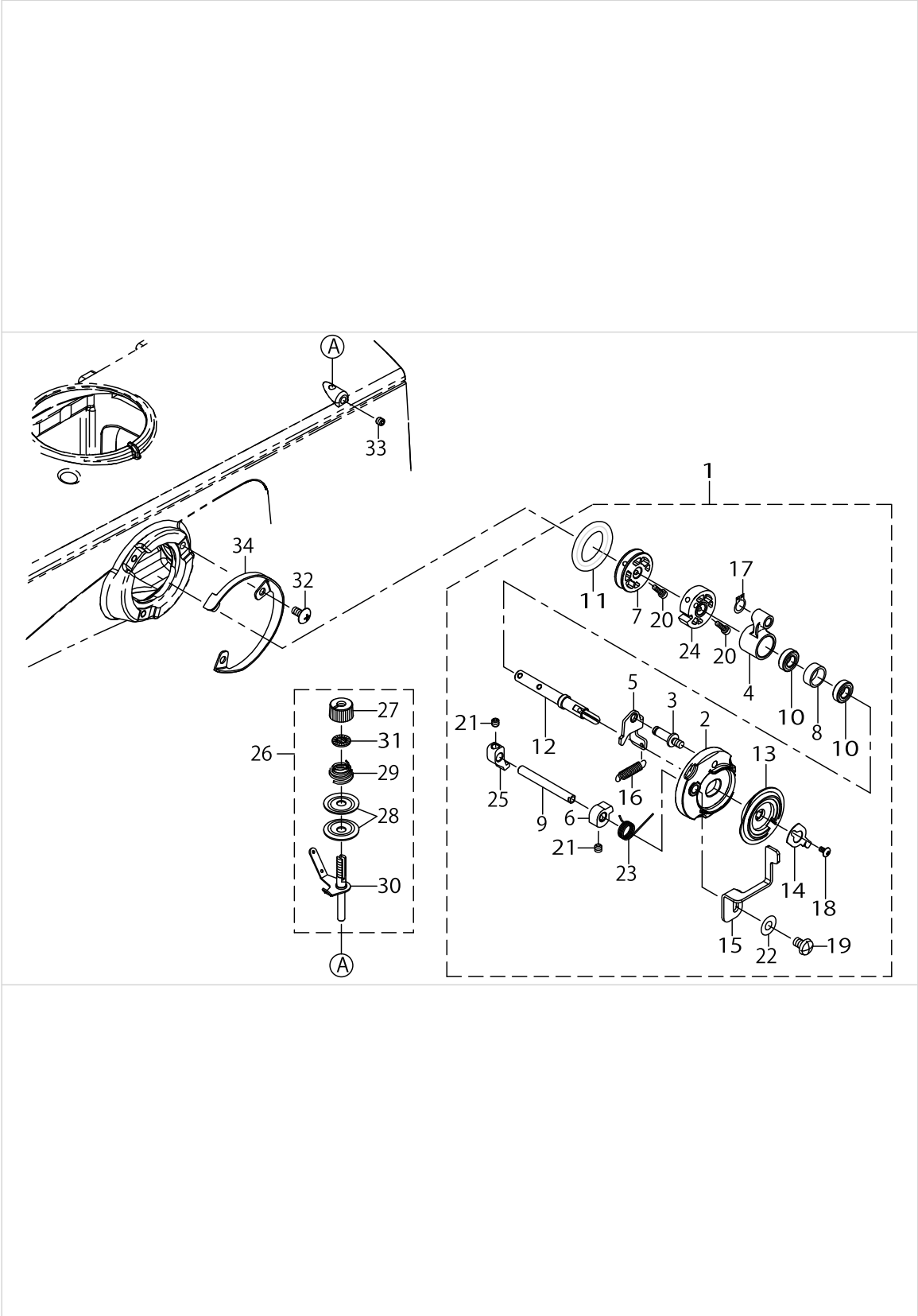
NEEDLE THREAD CLAMP COMPONENTS



NEEDLE THREAD CLAMP COMPONENTS

| No. | Supply Code | Parts No. | Replacement | Parts name | Remarks | Choice | Step | Level | Cons | Qty | Rep. QTY |
|-----|-------------|-------------|-------------|-----------------------------|---------|--------|------|-------|------|-----|----------|
| 1 | | 40131641 | | THREAD_CATCHER_ASM. | | | | | | 1 | |
| 2 | | 40137971 | | SOLENOID_CABLE HOLDER | | | | | | 1 | |
| 3 | | SM8050612TP | | SCREW_M5X6 | | | | | | 1 | |
| 4 | | 40149044 | | SOLENOID_SPACER | | | | | | 1 | |
| 5 | | 40149304 | | TC_SOLENOID_RELAY_CABLE_ASM | | | | | | 1 | |

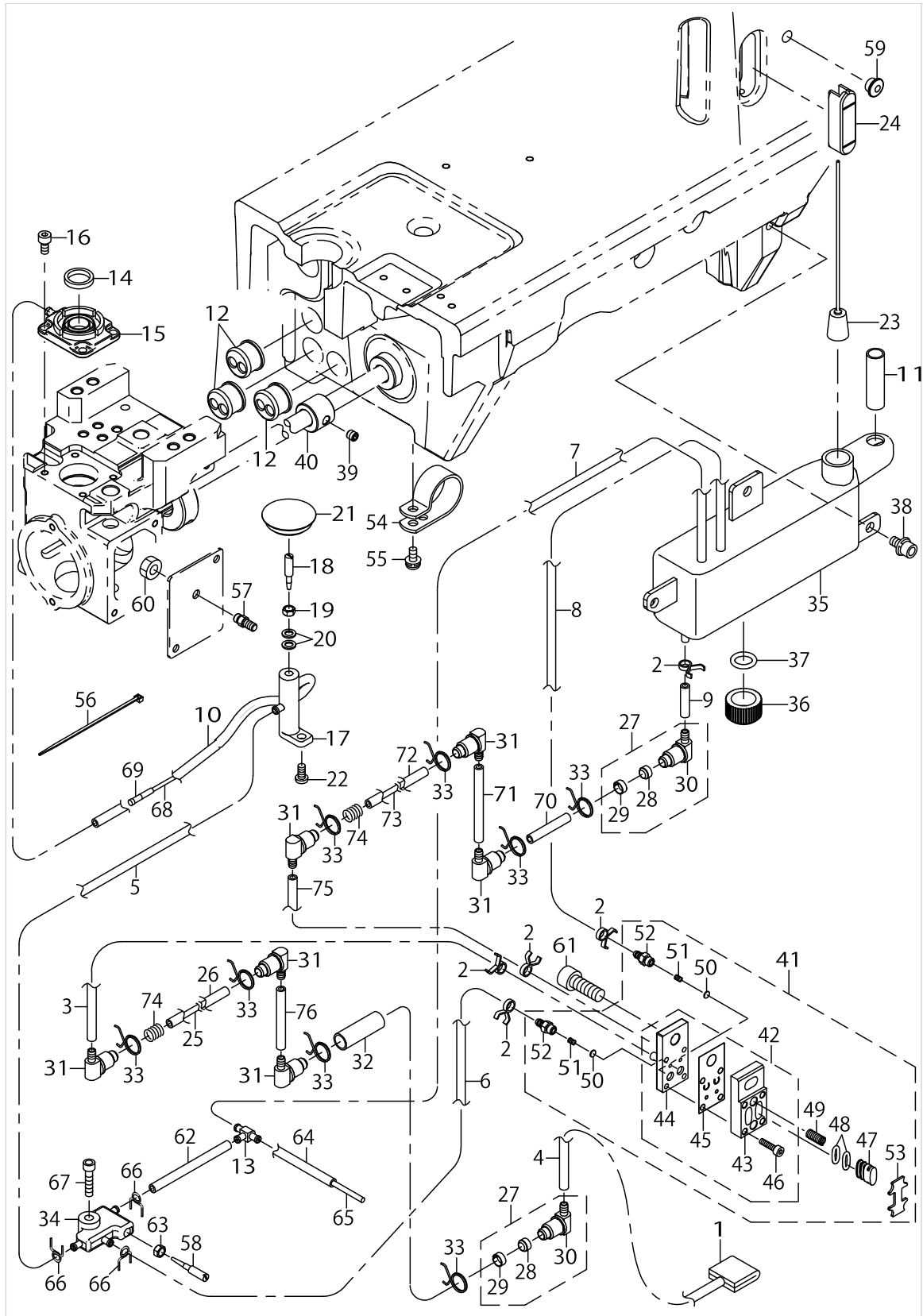
BOBBIN WINDER COMPONENTS



BOBBIN WINDER COMPONENTS

| No. | Supply Code | Parts No. | Replacement | Parts name | Remarks | Choice | Step | Level | Cons | Qty | Rep. QTY |
|-----|-------------|-------------|-------------|-------------------------------------|---------|--------|------|-------|------|-----|----------|
| 1 | | 40126355 | | BOBBIN_WINDER_UNIT | | | | | | 1 | |
| 2 | R | 26260109 | 26260000 | BTW_BASE | | | | * | | 1 | 1.00 |
| 3 | | 26260307 | | BTW_BASE_SHAFT | | | | * | | 1 | |
| 4 | | 26260406 | | BTW_SHAFT_BASE | | | | * | | 1 | |
| 5 | | 40126594 | | BTW_CAM_PLATE | | | | * | | 1 | |
| 6 | | 26260505 | | BTW_CAM_LEVER | | | | * | | 1 | |
| 7 | | 40125851 | | WINDER_WHEEL | | | | * | | 1 | |
| 8 | R | 26260802 | 26260000 | BTW_BEARING_SPACER | | | | * | | 1 | 1.00 |
| 9 | | 26261008 | | BTW_LEVER_SHAFT | | | | * | | 1 | |
| 10 | | 40126354 | | WINDER_BEARING | | | | * | | 1 | |
| 11 | | 26261503 | | BTW_WHEEL_RUBBER | | | | * | ☆ | 1 | |
| 12 | | 40126550 | | BOBBIN_SHAFT | | | | * | | 1 | |
| 13 | | 40125927 | | BOBBIN_BASE | | | | * | | 1 | |
| 14 | | 40126311 | | WINDER_CUTTER | | | | * | | 1 | |
| 15 | | 40151791 | | BOBBIN_LEVER | | | | * | | 1 | |
| 16 | | 13718507 | | SPRING | | | | * | | 1 | |
| 17 | | RC0560711KP | | RETAINING_RING | | | | * | | 1 | |
| 18 | | SM0030601SC | | SCREW_M3X0.5_L=6 | | | | * | | 1 | |
| 19 | | SM5040655SN | | SCREW | | | | * | | 1 | |
| 20 | | SM6031202TP | | SCREW_M3X0.5_L=12 | | | | * | | 1 | |
| 21 | | SM8050502TP | | SCREW_M5_L=5 | | | | * | | 2 | |
| 22 | | WP0450826SC | | WASHER_4.5X10X0.8 | | | | * | | 1 | |
| 23 | | 40126549 | | HELICAL_TORSION_COIL_SPRING | | | | * | | 1 | |
| 24 | | 40125928 | | WINDER_LATCH_CAM_ | | | | * | | 1 | |
| 25 | | 40125844 | | WINDER_LATCH_B | | | | * | | 1 | |
| 26 | | 40088958 | | BOBBIN_THREAD_TENSION_ASM. | | | | | | 1 | |
| 27 | | 22921308 | | THREAD_TENSION_NUT | | | | * | | 1 | |
| 28 | | 22921506 | | THREAD_TENSION_DISK | | | | * | | 1 | |
| 29 | | 22921704 | | THREAD_TENSION_SPRING_A | | | | * | ☆ | 1 | |
| 30 | | 40088959 | | BOBBIN_THREAD_T- ENSION_ROD_ASM. | | | | * | | 1 | |
| 31 | | 22921407 | | ROTATION_STOPPER | | | | * | | 1 | |
| 32 | | SM0051001SC | | SCREW | | | | | | 3 | |
| 33 | | SM8051002TP | | SCREW_M5_L=10 | | | | | | 1 | |
| 34 | | 40152022 | | BTW_GUARD | | | | | | 1 | |

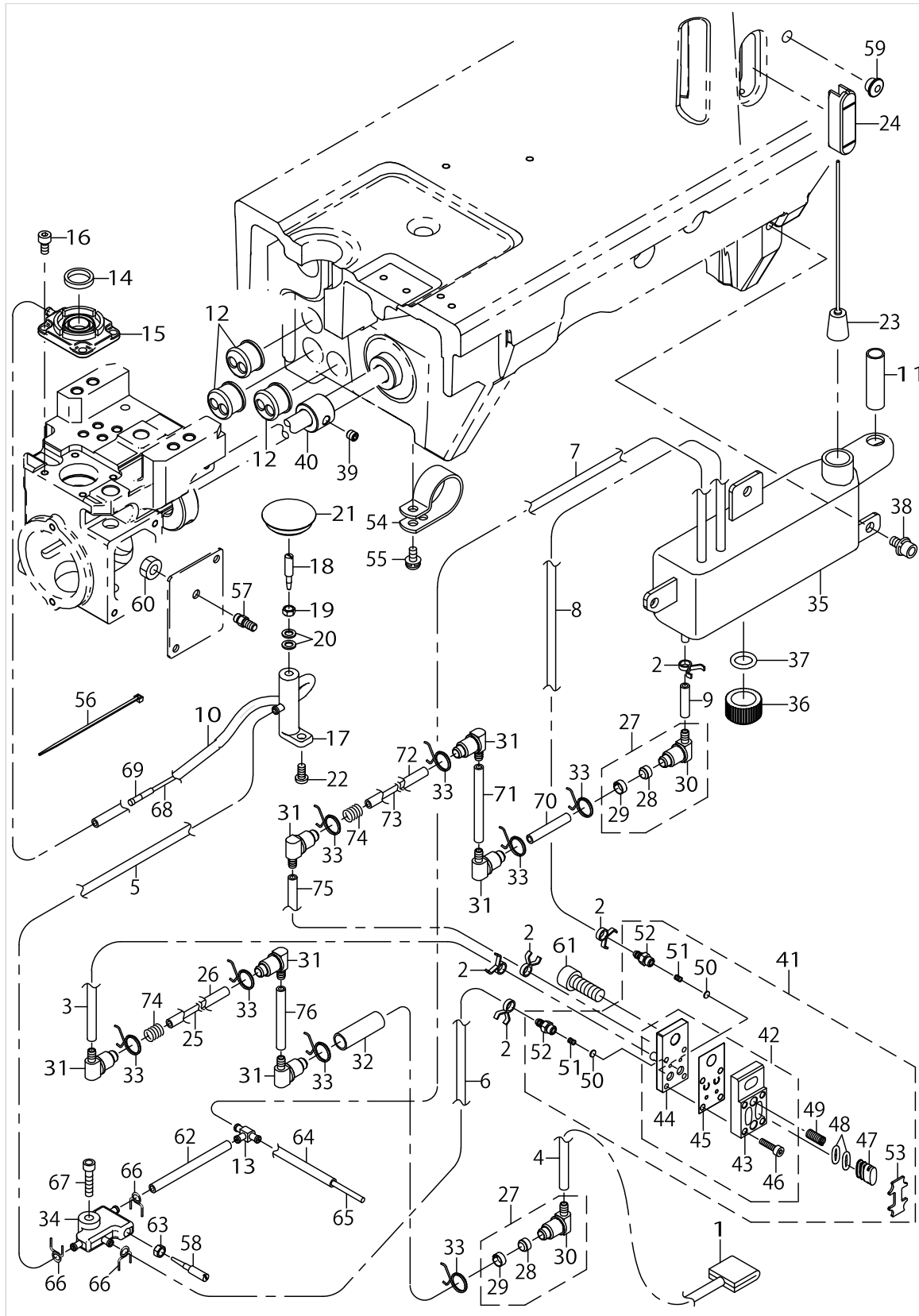
LUBRICATION COMPONENTS



LUBRICATION COMPONENTS

| No. | Supply Code | Parts No. | Replacement | Parts name | Remarks | Choice | Step | Level | Cons | Qty | Rep. QTY |
|-----|-------------|-------------|-------------|-----------------------|---------|--------|------|-------|------|-----|----------|
| 1 | | 40112320 | | FELT | | | | | | 1 | |
| 2 | | 13142609 | | OIL_TUBE HOLDER | | | | | | 5 | |
| 3 | | 23630007 | | TUBE | | | | | | .1 | |
| 4 | | 23630007 | | TUBE | | | | | | .4 | |
| 5 | | 23630007 | | TUBE | | | | | | .12 | |
| 6 | | 23630007 | | TUBE | | | | | | .08 | |
| 7 | | 23630007 | | TUBE | | | | | | .31 | |
| 8 | | 23630007 | | TUBE | | | | | | .4 | |
| 9 | | 23630007 | | TUBE | | | | | | .02 | |
| 10 | | 23630007 | | TUBE | | | | | | .22 | |
| 11 | | 23630106 | | TUBE_B | | | | | | .32 | |
| 12 | R | 22935308 | 11100104 | MAGNET_CORD_RUBBER | | | | | | 3 | 1.00 |
| 13 | | 13765607 | | OIL_CONNEC_ARM | | | | | | 1 | |
| 14 | | 40112318 | | OIL_SUPPLY_FELT | | | | | | 1 | |
| 15 | | 40112246 | | OIL_SUPPLY | | | | | | 1 | |
| 16 | | SM6040802TP | | SCREW_M4X0.7_L=8 | | | | | | 4 | |
| 17 | | 40069741 | | OIL_REGULATING_VALVE | | | | | | 1 | |
| 18 | | B1843563000 | | OIL_ADJUSTING_SCREW | | | | | | 1 | |
| 19 | | NS6110310SP | | NUT_11/64-40 | | | | | | 1 | |
| 20 | | WP0450846SP | | WASHER | | | | | | 2 | |
| 21 | | 40028294 | | FEED_ADJUSTING_CAP | | | | | | 1 | |
| 22 | | SM4040855SP | | SCREW | | | | | | 1 | |
| 23 | | 23628357 | | FLOATER ASM. | | | | | | 1 | |
| 24 | | 40036167 | | OIL_GAGE | | | | | | 1 | |
| 25 | | CQ303000000 | | OIL_WICK | | | | | | .26 | |
| 26 | | 23630106 | | TUBE_B | | | | | | .09 | |
| 27 | | 23630650 | | OIL_FILTER_JOINT_ASM. | | | | | | 2 | |
| 28 | R | 23630403 | 23630650 | OIL_FILTER_STOPPER | | | | * | ☆ | 1 | 1.00 |
| 29 | R | 23630502 | 23630650 | OIL_FILTER | | | | * | | 1 | 1.00 |
| 30 | | 23630601 | | OIL_FILTER_JOINT | | | | * | | 1 | |
| 31 | | 23630601 | | OIL_FILTER_JOINT | | | | | | 6 | |
| 32 | | 23630106 | | TUBE_B | | | | | | .03 | |
| 33 | | 23629405 | | PIPE_STOPPER_B | | | | | | 8 | |
| 34 | | 40032804 | | BASE | | | | | | 1 | |
| 35 | | 40125929 | | OIL_TANK | | | | | | 1 | |
| 36 | | 40013595 | | OIL_EXIT_CAP | | | | | | 1 | |
| 37 | | RO098240100 | | RUBBER_RING | | | | | | 1 | |
| 38 | | SL6051092TN | | BOLT | | | | | | 3 | |
| 39 | | SM8050512TP | | SCREW | | | | | | 1 | |
| 40 | | 40101721 | | ECCENTRIC_CAM | | | | | | 1 | |
| 41 | | 40101719 | | PUMP_BASE_ASSY | | | | | | 1 | |
| 42 | R | 40102249 | 40101719 | PUMP_BASE_ASM. | | | | * | | 1 | 1.00 |
| 43 | R | 40101715 | 40101719 | PUMP_BASE_TOP | | | | * | | 1 | 1.00 |
| 44 | R | 40101716 | 40101719 | PUMP_BASE_BOTTOM | | | | * | | 1 | 1.00 |
| 45 | R | 40101717 | 40101719 | GASKET_SHEET | | | | * | | 1 | 1.00 |
| 46 | | SM6031202TP | | SCREW_M3X0.5_L=12 | | | | * | | 4 | |

LUBRICATION COMPONENTS



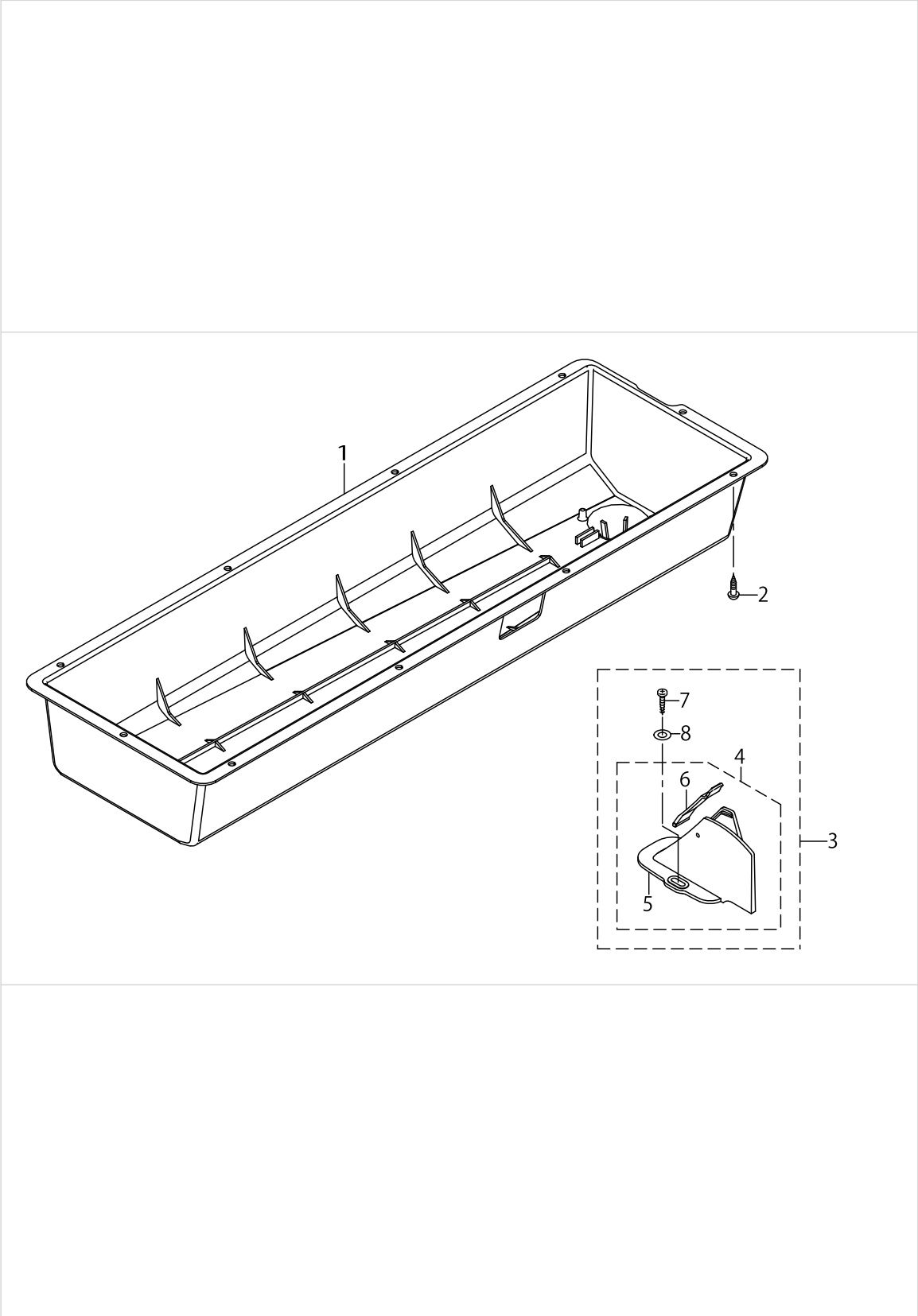
LUBRICATION COMPONENTS

| No. | Supply Code | Parts No. | Replacement | Parts name | Remarks | Choice | Step | Level | Cons | Qty | Rep. QTY |
|-----|-------------|-------------|-------------|---------------------|---------|--------|------|-------|------|-----|----------|
| 47 | R | 40101713 | 40101719 | OVAL_PLUNGER | | | | * | | 2 | 1.00 |
| 48 | | 40116455 | | OVAL_O_RING | | | | * | | 4 | |
| 49 | R | 40116456 | 40101719 | SPRING | | | | * | | 2 | 1.00 |
| 50 | | 40116457 | | FREE_VALVE | | | | * | | 2 | |
| 51 | | 40116458 | | SPRING | | | | * | | 2 | |
| 52 | | 40116459 | | CONNECTING_SCREW | | | | * | | 2 | |
| 53 | | 40101714 | | PLUNGER_HOLD_PLATE | | | | * | | 1 | |
| 54 | | HX00150000M | | CABLE_CLIP | | | | | | 1 | |
| 55 | | SL4041091SC | | SCREW_M4_L=10 | | | | | | 1 | |
| 56 | | EA9500B0100 | | CABLE_BAND | | | | | | 3 | |
| 57 | | SQ2050452MZ | | CONNECTING_SCREW | | | | | | 1 | |
| 58 | | B1843563000 | | OIL_ADJUSTING_SCREW | | | | | | 1 | |
| 59 | | 40126582 | | RUBBER_PLUG | | | | | | 1 | |
| 60 | | NM6050003SC | | NUT_M5X0.8 | | | | | | 1 | |
| 61 | | SM6061802TP | | SCREW_M6_L=18 | | | | | | 1 | |
| 62 | | 23630007 | | TUBE | | | | | | .06 | |
| 63 | | NS6110310SP | | NUT_11/64-40 | | | | | | 1 | |
| 64 | | 23630007 | | TUBE | | | | | | .33 | |
| 65 | | CQ202000000 | | COTTON_OIL_WICK_D=2 | | | | | | .05 | |
| 66 | | 13142609 | | OIL_TUBE HOLDER | | | | | | 3 | |
| 67 | | SM6041802TP | | SCREW_M4_L=18 | | | | | | 1 | |
| 68 | | CQ202000000 | | OIL_WICK | | | | | | .18 | |
| 69 | | 11015906 | | OIL_WICK | | | | | | 2 | |
| 70 | | 23630007 | | TUBE | | | | | | .03 | |
| 71 | | 23630007 | | TUBE | | | | | | .05 | |
| 72 | | 23630106 | | TUBE_B | | | | | | .09 | |
| 73 | | CQ303000000 | | OIL_WICK | | | | | | .26 | |
| 74 | | 12210803 | | SPRING | | | | | | 2 | |
| 75 | | 23630007 | | TUBE | | | | | | .1 | |
| 76 | | 23630007 | | TUBE | | | | | | .04 | |

THREAD STAND COMPONENTS

| No. | Supply Code | Parts No. | Replacement | Parts name | Remarks | Choice | Step | Level | Cons | Qty | Rep. QTY |
|-----|-------------|-------------|-------------|------------------------------------|---------|--------|------|-------|------|-----|----------|
| 1 | | 40142213 | | THREAD_STAND_PACKING | | | | | | 1 | |
| 2 | | 40085784 | | SPOOL_REST_ROD_LOWER | | | | * | | 1 | |
| 3 | | 40085785 | | SPOOL_REST_ROD_UPPER | | | | * | | 1 | |
| 4 | | 40085786 | | SPOOL_REST_ARM_LOWER | | | | * | | 1 | |
| 5 | | 40085787 | | SPOOL_REST_ARM_UPPER | | | | * | | 1 | |
| 6 | | 40085788 | | SPOOL_REST | | | | * | | 2 | |
| 7 | | 40085789 | | SPOOL_REST_CUSHION | | | | * | | 2 | |
| 8 | | 40085790 | | SPOOL_PIN | | | | * | | 2 | |
| 9 | | 40085791 | | SPOOL_RETAINER | | | | * | | 2 | |
| 10 | | 40085792 | | SPOOL_REST_ROD_JOINT | | | | * | | 1 | |
| 11 | | 40085793 | | SPOOL_REST_ROD_RUBBER_CAP | | | | * | | 1 | |
| 12 | | 40085794 | | THREAD_GUIDE | | | | * | | 2 | |
| 13 | | 40085795 | | THREAD_GUIDE_BUSHING | | | | * | | 2 | |
| 14 | | 40096325 | | SPOOL_REST_ROD_NUT | | | | * | | 1 | |
| 15 | | WP1612616SE | | WASHER_16X30X2.6 | | | | * | | 2 | |
| 16 | | 40085796 | | SPOOL_REST_ROD_- RUBBER_CUSHION | | | | * | | 2 | |
| 17 | | 40096326 | | SPOOL_REST_ARM_LOWER_SCREW | | | | * | | 1 | |
| 18 | | NM6050001SE | | NUT_M5 | | | | * | | 2 | |
| 19 | R | 40096327 | SM4053001SE | SPOOL_REST_ARM_UPPER_SCREW | | | | * | | 1 | 1.00 |
| 20 | | NM6050001SE | | NUT_M5 | | | | * | | 2 | |
| 21 | | WS0510002KN | | SPRING_WASHER_M5 | | | | * | | 2 | |
| 22 | | WP0531001SC | | WASHER_M5 | | | | * | | 2 | |
| 23 | | SM4051405SE | | SCREW_M5_L=14 | | | | * | | 2 | |
| 24 | | NM6050001SE | | NUT_M5 | | | | * | | 2 | |
| 25 | | 40106582 | | THREAD_GUIDE_4 | | | | * | | 1 | |
| 26 | | 40106579 | | THREAD_GUIDE_ARM_BASE | | | | * | | 1 | |
| 27 | R | NM6040002SC | NM6040002SE | NUT_M4 | | | | * | | 4 | 1.00 |
| 28 | | SM4042501SC | | SCREW_M4X0.7_L=25 | | | | * | | 1 | |
| 29 | | SM4041201SC | | SCREW_M4_L=12 | | | | * | | 3 | |
| 30 | | 40106580 | | THREAD_GUIDE_UNDER_BASE | | | | * | | 1 | |
| 31 | | 40106576 | | THREAD_GUIDE_ARM | | | | * | | 1 | |

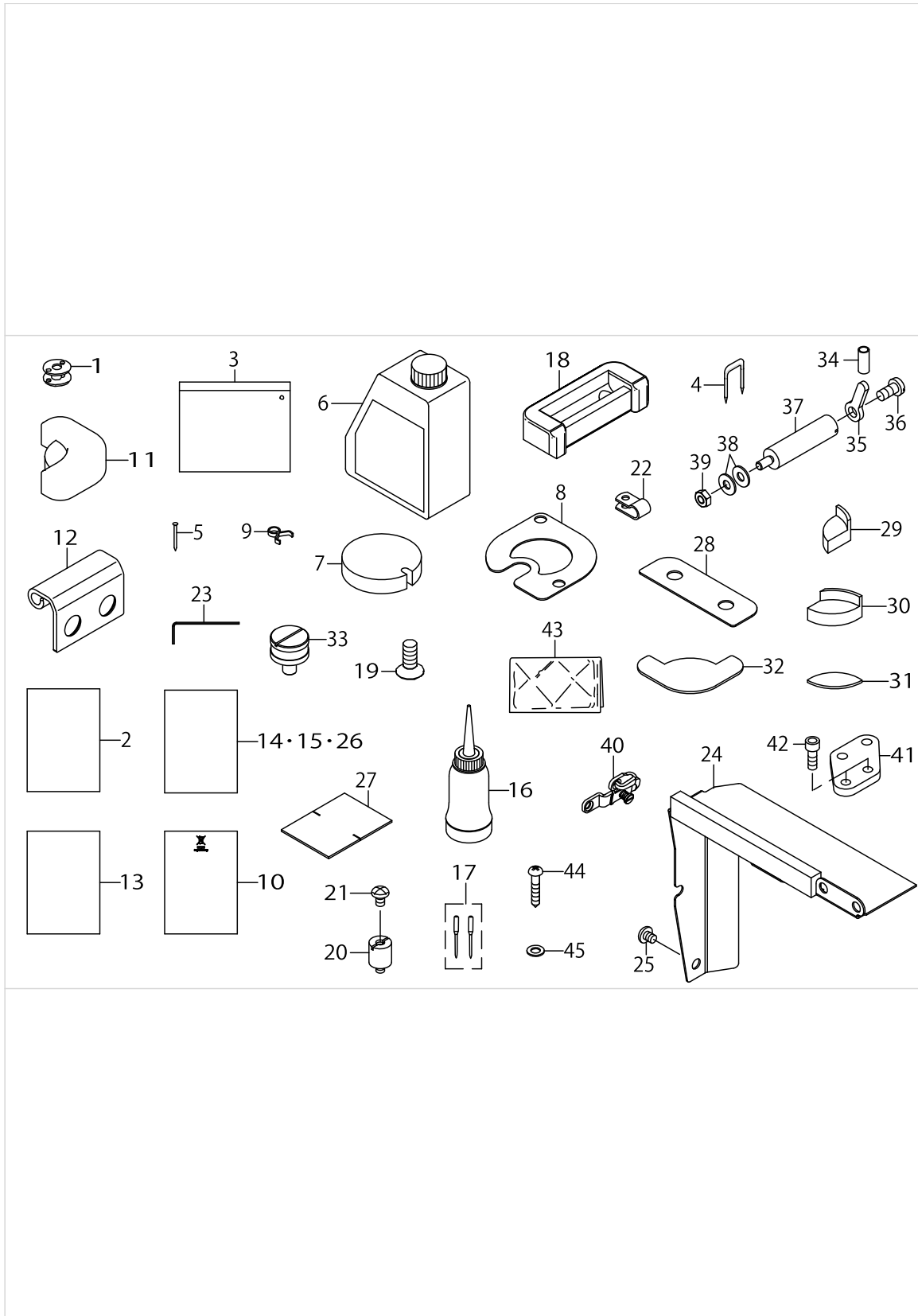
BOTTOM COVER & BELT COVER COMPONENTS



BOTTOM COVER & BELT COVER COMPONENTS

| No. | Supply Code | Parts No. | Replacement | Parts name | Remarks | Choice | Step | Level | Cons | Qty | Rep. QTY |
|-----|-------------|-------------|-------------|-----------------------|---------------|--------|------|-------|------|-----|----------|
| 1 | | 40126155 | | OIL_PAN | | | | | | 1 | |
| 2 | | SK3482001SE | | WOOD_SCREW_D=4.8_L=20 | | | | | | 10 | |
| 3 | | 40126560 | | ASSY_BELT_COVER_B2 | FOR LU-2828-6 | | | | | 1 | |
| 4 | | 40112296 | | BELT_COVER_B_COMPL. | FOR LU-2828-6 | | | * | | 1 | |
| 5 | | 40112314 | | BELT_COVER_B | FOR LU-2828-6 | | | * | | 1 | |
| 6 | | 40112313 | | BELT_COVER_B_LID_ASM. | FOR LU-2828-6 | | | * | | 1 | |
| 7 | R | SK3412000SC | SK3412000SE | WOOD_SCREW_D=4.1_L=20 | FOR LU-2828-6 | | | * | | 2 | 1.00 |
| 8 | | WP0501016SD | | WASHER_5X10.5X1 | FOR LU-2828-6 | | | * | | 2 | |

ACCESSORIES PARTS COMPONENTS



ACCESSORIES PARTS COMPONENTS

| No. | Supply Code | Parts No. | Replacement | Parts name | Remarks | Choice | Step | Level | Cons | Qty | Rep. QTY |
|-----|-------------|-------------|-------------|-----------------------------------|---------------|--------|------|-------|------|------|----------|
| 1 | | 40147913 | | BOBBIN_XXL | | | | | ☆ | 1 | |
| 2 | | 40151454 | | PARTS_LIST | | | | | | 1 | |
| 3 | | 21413158 | | ACCESSORY_BAG_ASM. | | | | | | 1 | |
| 4 | | MA011532000 | | CORD_STAPLE | | | | | | 3 | |
| 5 | | 10539906 | | SET_NAIL | | | | | | 8 | |
| 6 | D R | 40102087 | MDFRX1600C0 | JUKI_MACHINE_OIL_7 | | | | | | 1 | 1.00 |
| 7 | | 40126405 | | OIL_FILTER | | | | | | 1 | |
| 8 | | 40126267 | | FELT HOLDER | | | | | | 1 | |
| 9 | | 23629306 | | PIPE_STOPPER_A | | | | | | 2 | |
| 10 | | CM600100201 | | WEEE_INFORMATION_SHEET | FOR JE | | | | | 1 | |
| 11 | | 40151800 | | CUSHION_RUBBER | | | | | | 2 | |
| 12 | | 40125869 | | HINGE | | | | | | 2 | |
| 13 | | 40142430 | | DECLARATION_OF_I- NCORPORATION | FOR JE | | | | | 1 | |
| 14 | | 40151451 | | INSTRUCTION_MANUAL_1K | FOR CHINA | | | | | 1 | |
| 15 | | 40151452 | | INSTRUCTION_MANUAL_4K | EXCEPT CHINA | | | | | 1 | |
| 16 | | B91210120A0 | | OILER_ASM. | | | | | | 1 | |
| 17 | R | MC321001402 | MC321001400 | NEEDLE_134-35_#140-2 | | | | | ☆ | 1 | 1.00 |
| 18 | | 40164521 | | HINGE_RUBBER | | | | | | 2 | |
| 19 | | B1516210D00 | | SCREW | | | | | | 4 | |
| 20 | | 40126222 | | CP_SPACER | | | | | | 2 | |
| 21 | | SM4050855SP | | SCREW | | | | | | 2 | |
| 22 | | HX00150000B | | CABLE_CLIP | | | | | | 2 | |
| 23 | | 40079298 | | WRENCH | | | | | | 1 | |
| 24 | | 40149045 | | OIL_SHIELD_PLATE_ASSY | | | | | | 1 | |
| 25 | | SM4050655SP | | SCREW_M5_L=6 | | | | | | 4 | |
| 26 | | 40151453 | | INSTRUCTION_MANUAL_9K | FOR JE | | | | | 1 | |
| 27 | | 40133730 | | OIL_FILTER | | | | | | 1 | |
| 28 | | 40163914 | | HINGE_SPACER | | | | | | 2 | |
| 29 | | 40151803 | | RUBBER_CUSHION_LEFT | | | | | | 1 | |
| 30 | | 40151804 | | RUBBER_CUSHION_RIGHT | | | | | | 1 | |
| 31 | | 40151805 | | RUBBER_CUSHION_SHEET | | | | | | 4 | |
| 32 | | 10740900 | | RUBBER | | | | | | 8 | |
| 33 | | 22622401 | | SYNCRO_FRNGE | FOR LU-2828-6 | | | | | 1 | |
| 34 | | BT0630520Z0 | | HOLDER_COVER | FOR LU-2828-6 | | | | | .015 | |
| 35 | | 40142036 | | SYNCHRONIZER_HOLD_PLATE | FOR LU-2828-6 | | | | | 1 | |
| 36 | | SM4061255SP | | SCREW_M6_L=12 | FOR LU-2828-6 | | | | | 1 | |
| 37 | | 40142037 | | SYNCHRONIZER_HOLD_STUD | FOR LU-2828-6 | | | | | 1 | |
| 38 | | WP0551016SH | | WASHER_5.5X13X1 | FOR LU-2828-6 | | | | | 2 | |
| 39 | | NM6050001SP | | NUT_M5 | FOR LU-2828-6 | | | | | 1 | |
| 40 | | 40034675 | | THREAD_GUIDE_ASM_E | | | | | | 1 | |
| 41 | | 40112214 | | EDGE_GUIDE_FITTING_PLATE | | | | | | 1 | |
| 42 | | SM6051402TP | | SCREW_M5X0.8_L=14 | | | | | | 2 | |
| 43 | | 40048536 | | HEAD_COVER | | | | | | 1 | |
| 44 | | SK3452501SE | | SCREW D=4.5 L=25 | | | | | | 4 | |
| 45 | | WP0550800SP | | WASHER 5.5X10X0.8 | | | | | | 4 | |

LIST FOR INFORMATION OF CHNGE

As to the place changed, refer to the corresponding Rev.No.
 When previous parts(Obsoleted part)and new parts(Added parts)are
 not interchangeable with each other:
 In this case,even obsoleted parts(D.)can be ordered with the
 obsoleted part number,so select the parts with changed dates and
 place your orders.

変更箇所は,該当Rev.No.版をご参照ください。
 部品の互換性がない変更の場合は,削除された品番でも,ご注文できます。
 40151454

No.1635-02・・・Rev.No.

*A:Added parts追加部品/D:Obsoleted parts削除部品/E:Erratum訂正

| * Rev. No. | Page 頁 | Ref. No. | Parts No. 品番 | * Rev. No. | Page 頁 | Ref. No. | Parts No. 品番 |
|------------------|-----------|-------------|-----------------|------------------|-----------|-------------|-----------------|
| D 01 | 8 | 3 | 400-52253 | A 02 | 8 | 3 | 401-52295 |
| D 01 | 14 | 1 | 401-26167 | A 02 | 14 | 1 | 401-44289 |
| D 01 | 14 | 4 | 401-23664 | A 02 | 14 | 4 | 401-44287 |
| D 01 | 14 | 5 | 401-23665 | A 02 | 14 | 5 | 401-76628 |
| D 01 | 14 | 17 | 401-35014 | A 02 | 14 | 17 | 401-71574 |
| D 01 | 16 | 5 | 401-25870 | A 02 | 16 | 5 | 401-44283 |
| | | | | A 02 | 18 | 88 | 401-54832 |
| | | | | A 02 | 18 | 89 | 401-54833 |
| | | | | A 02 | 18 | 90 | SM-6062502-TP |
| D 01 | 20 | 9 | 229-12109 | A 02 | 20 | 9 | 180-53900 |
| D 01 | 22 | 8 | 401-31604 | A 02 | 22 | 8 | 401-77648 |
| D 01 | 28 | 20 | 401-12251 | A 02 | 28 | 20 | 401-37921 |
| D 01 | 29 | 5 | 401-26373 | A 02 | 29 | 5 | 401-55956 |
| D 01 | 29 | 18 | 225-28806 | A 02 | 29 | 29 | 401-55994 |
| D 01 | 29 | 21 | 225-29408 | A 02 | 29 | 32 | 401-55960 |
| D 01 | 29 | 31 | B3126-012-000 | A 02 | 29 | 22 | 229-21506 |
| | | | | A 02 | 29 | 6 | 401-61459 |
| | | | | A 02 | 29 | 28 | 401-55958 |
| | | | | A 02 | 29 | 35 | SS-4110815-SP |
| | | | | A 02 | 29 | 36 | NS-6110310-SP |
| D 01 | 40 | 18 | 401-51801 | A 02 | 40 | 18 | 401-64521 |
| D 01 | 40 | 28 | 401-51802 | A 02 | 40 | 28 | 401-63914 |
| | | | | A 02 | 40 | 44 | SK-3452501-SE |
| | | | | A 02 | 40 | 45 | WP-0550800-SP |
| | | | | | | | |
| | | | | | | | |
| | | | | | | | |
| | | | | | | | |
| | | | | | | | |
| | | | | | | | |
| | | | | | | | |
| | | | | | | | |
| | | | | | | | |

HOW TO MAKE USE OF THIS PARTS LIST

1.Explanation of codes

1)"*"mark.....means this part is changed from the previous parts book.

As to the details of the change, refer to the "List for information of change".

2)"#01".....refer to "Note" explanation at bottom of page.

2.Codes on the "Qty" column

- Each numeral indicates the number of parts required.
- "0.1" and "2.5" indicate the length (in meters) of the respective parts.

3.Parentheses mean that the corresponding part is a subpart that constructs an assembly part.

4.Dotted lines on the Figures indicate assembly parts.

5.As to the parts with marks of "☆"(consumable parts) and "◎"(optional parts)on the respective parts, it is recommended to prepare spares.

1."注記"欄の記号説明

1) "*"印.....前回のパーツブックに比較して今回変更された部品を意味します。

変更内容は、"変更情報リスト"を参照してください。

2) "#01".....ページ下の"注記"の説明を参照してください。

2.数量欄の数字は、個数を表し、0.1、2.5等の数値は、長さ（単位メートル）を表します。

3.数量欄の（ ）は、組部品を構成している子部品であることを意味します。

4.イラストページの-----枠は、組構成であることを意味します。

5.リストページの"☆"（消耗部品）、"◎"（オプション部品）の印がついた部品は、予備を準備しておくことをお奨めします。

NUMERICAL INDEX OF PARTS

| PART NO | PAGE | REF NO. | PART NO | PAGE | REF NO. | PART NO | PAGE | REF NO. |
|----------|------|---------|----------|------|---------|----------|------|---------|
| 10320109 | 54 | 25 | 22606404 | 10 | 15~22 | 23630106 | 64 | 72 |
| 10539906 | 72 | 5 | 22607600 | 10 | 15~22 | 23630106 | 66 | 72 |
| 10546901 | 6 | 35 | 22607709 | 10 | 15~22 | 23630403 | 64 | 28 |
| 10697506 | 54 | 14 | 22607808 | 10 | 15~22 | 23630502 | 64 | 29 |
| 10710804 | 20 | 2 | 22607907 | 10 | 15~22 | 23630601 | 64 | 31 |
| 10711653 | 22 | 73 | 22617807 | 54 | 16 | 23630650 | 64 | 27 |
| 10712552 | 22 | 63 | 22618201 | 54 | 7 | 23631708 | 40 | 22 |
| 10721504 | 6 | 39 | 22618706 | 54 | 24 | 23631708 | 42 | 20 |
| 10740900 | 72 | 32 | 22622401 | 72 | 33 | 23631807 | 40 | 23 |
| 11015906 | 66 | 69 | 22901805 | 2 | 6 | 23631807 | 42 | 21 |
| 12210803 | 66 | 74 | 22902506 | 2 | 16 | 23631906 | 40 | 24 |
| 12288908 | 30 | 70 | 22904106 | 28 | 35 | 23631906 | 42 | 22 |
| 12938304 | 54 | 17 | 22904155 | 20 | 44 | 23632102 | 40 | 20 |
| 13142609 | 64 | 66 | 22904155 | 28 | 34 | 23632102 | 42 | 23 |
| 13142609 | 66 | 66 | 22911804 | 32 | 41 | 23638406 | 46 | 2 |
| 13409107 | 26 | 10 | 22912000 | 32 | 8 | 23638406 | 48 | 2 |
| 13424502 | 34 | 70 | 22912109 | 34 | 43 | 26017400 | 30 | 71 |
| 13441001 | 42 | 11 | 22912257 | 54 | 1 | 26018705 | 30 | 62 |
| 13718507 | 62 | 16 | 22913008 | 22 | 64 | 26229302 | 32 | 28 |
| 13737804 | 50 | 17 | 22913008 | 28 | 5 | 26231902 | 50 | 33 |
| 13765607 | 64 | 13 | 22921308 | 62 | 27 | 26260109 | 62 | 2 |
| 13817408 | 54 | 18 | 22921407 | 62 | 31 | 26260307 | 62 | 3 |
| 13860408 | 58 | 34 | 22921506 | 54 | 22 | 26260406 | 62 | 4 |
| 13951009 | 26 | 24 | 22921506 | 62 | 28 | 26260505 | 62 | 6 |
| 18035006 | 34 | 67·68 | 22921704 | 62 | 29 | 26260802 | 62 | 8 |
| 18035105 | 34 | 67·68 | 22935308 | 64 | 12 | 26261008 | 62 | 9 |
| 18035303 | 26 | 13 | 22945703 | 54 | 30 | 26261503 | 62 | 11 |
| 18035501 | 38 | 6 | 22945802 | 54 | 33 | 32055501 | 56 | 6 |
| 18035709 | 40 | 16 | 22949101 | 26 | 17 | 40006716 | 26 | 2 |
| 18035709 | 42 | 8 | 22951552 | 2 | 26·41 | 40006716 | 42 | 12 |
| 18035808 | 30 | 85 | 22954309 | 54 | 2 | 40010437 | 6 | 22 |
| 18035907 | 30 | 86 | 22956205 | 50 | 2 | 40010438 | 6 | 23 |
| 18036004 | 34 | 80·81 | 22957104 | 50 | 3 | 40010439 | 6 | 24 |
| 18036103 | 34 | 80·81 | 22957203 | 50 | 4 | 40010440 | 6 | 25 |
| 18053900 | 32 | 9 | 22963409 | 54 | 31 | 40010533 | 6 | 19 |
| 21333901 | 14 | 47 | 23542418 | 56 | 1 | 40010534 | 6 | 20 |
| 21387600 | 12 | 33 | 23605207 | 6 | 47 | 40010535 | 6 | 21 |
| 21387709 | 12 | 34 | 23605207 | 8 | 47 | 40010709 | 10 | 1 |
| 21387808 | 12 | 35 | 23613409 | 34 | 86 | 40011902 | 6 | 31 |
| 21387907 | 12 | 36 | 23628357 | 64 | 23 | 40012499 | 50 | 28 |
| 21413158 | 72 | 3 | 23629306 | 72 | 9 | 40013595 | 64 | 36 |
| 21470505 | 50 | 18 | 23629405 | 64 | 33 | 40021606 | 50 | 43 |
| 22528509 | 54 | 40 | 23630007 | 32 | 17 | 40023627 | 24 | 92 |
| 22606206 | 10 | 15~22 | 23630007 | 64 | 76 | 40028294 | 64 | 21 |
| 22606305 | 10 | 15~22 | 23630007 | 66 | 76 | 40030950 | 58 | 13 |

NUMERICAL INDEX OF PARTS

| PART NO | PAGE | REF NO. | PART NO | PAGE | REF NO. | PART NO | PAGE | REF NO. |
|----------|------|---------|----------|------|---------|----------|------|---------|
| 40032804 | 64 | 34 | 40101719 | 64 | 41 | 40112252 | 16 | 15 |
| 40034675 | 72 | 40 | 40101721 | 64 | 40 | 40112253 | 12 | 2 |
| 40036167 | 64 | 24 | 40102087 | 72 | 6 | 40112267 | 34 | 55 |
| 40038494 | 20 | 29 | 40102249 | 64 | 42 | 40112270 | 10 | 12 |
| 40038494 | 28 | 33 | 40102261 | 2 | 4 | 40112272 | 10 | 13 |
| 40048536 | 72 | 43 | 40105508 | 44 | 1·6 | 40112273 | 10 | 9 |
| 40069741 | 64 | 17 | 40105509 | 44 | 4·9 | 40112274 | 6 | 10 |
| 40075542 | 18 | 14 | 40105510 | 44 | 2·7 | 40112281 | 32 | 13 |
| 40075547 | 18 | 18 | 40105518 | 58 | 25 | 40112282 | 32 | 14 |
| 40075548 | 18 | 19 | 40106576 | 68 | 31 | 40112285 | 56 | 11·17 |
| 40079298 | 72 | 23 | 40106579 | 68 | 26 | 40112288 | 40 | 19 |
| 40079898 | 18 | 6 | 40106580 | 68 | 30 | 40112296 | 70 | 4 |
| 40079899 | 18 | 7 | 40106582 | 68 | 25 | 40112312 | 6 | 3 |
| 40079900 | 18 | 8 | 40112087 | 6 | 1 | 40112313 | 70 | 6 |
| 40079902 | 18 | 10 | 40112091 | 6 | 27 | 40112314 | 70 | 5 |
| 40079903 | 18 | 11 | 40112092 | 6 | 28 | 40112318 | 64 | 14 |
| 40079909 | 18 | 15 | 40112093 | 6 | 29 | 40112320 | 64 | 1 |
| 40079912 | 18 | 20 | 40112094 | 6 | 30 | 40113224 | 12 | 42 |
| 40084142 | 2 | 30 | 40112106 | 6 | 5 | 40116455 | 66 | 48 |
| 40085784 | 68 | 2 | 40112118 | 28 | 18 | 40116456 | 66 | 49 |
| 40085785 | 68 | 3 | 40112127 | 32 | 11 | 40116457 | 66 | 50 |
| 40085786 | 68 | 4 | 40112128 | 32 | 12 | 40116458 | 66 | 51 |
| 40085787 | 68 | 5 | 40112140 | 40 | 5 | 40116459 | 66 | 52 |
| 40085788 | 68 | 6 | 40112152 | 10 | 7 | 40122887 | 34 | 42 |
| 40085789 | 68 | 7 | 40112176 | 20 | 3 | 40123247 | 12 | 27 |
| 40085790 | 68 | 8 | 40112184 | 26 | 3 | 40123252 | 28 | 29 |
| 40085791 | 68 | 9 | 40112187 | 26 | 14 | 40123262 | 20 | 22 |
| 40085792 | 68 | 10 | 40112188 | 26 | 15 | 40123319 | 20 | 21 |
| 40085793 | 68 | 11 | 40112191 | 38 | 7 | 40123320 | 20 | 23 |
| 40085794 | 68 | 12 | 40112192 | 38 | 11 | 40123321 | 20 | 24 |
| 40085795 | 68 | 13 | 40112197 | 20 | 39 | 40123340 | 12 | 6 |
| 40085796 | 68 | 16 | 40112199 | 20 | 40 | 40123345 | 22 | 62 |
| 40086679 | 56 | 15 | 40112204 | 54 | 9 | 40123345 | 30 | 67 |
| 40088958 | 62 | 26 | 40112213 | 40 | 21 | 40123346 | 30 | 68 |
| 40088959 | 62 | 30 | 40112213 | 42 | 26 | 40123414 | 20 | 33 |
| 40090058 | 20 | 13 | 40112214 | 72 | 41 | 40123416 | 20 | 32 |
| 40094561 | 2 | 44 | 40112215 | 44 | 3·8 | 40123547 | 28 | 16 |
| 40096325 | 68 | 14 | 40112216 | 44 | 5·10 | 40123555 | 20 | 34 |
| 40096326 | 68 | 17 | 40112218 | 54 | 10 | 40123626 | 28 | 14 |
| 40096327 | 68 | 19 | 40112219 | 54 | 11 | 40123627 | 28 | 24 |
| 40101713 | 66 | 47 | 40112228 | 40 | 9 | 40123629 | 28 | 17 |
| 40101714 | 66 | 53 | 40112228 | 42 | 3 | 40123634 | 20 | 15 |
| 40101715 | 64 | 43 | 40112240 | 12 | 30 | 40123634 | 28 | 19 |
| 40101716 | 64 | 44 | 40112242 | 12 | 21 | 40123639 | 28 | 26 |
| 40101717 | 64 | 45 | 40112246 | 64 | 15 | 40123666 | 28 | 1 |

NUMERICAL INDEX OF PARTS

| PART NO | PAGE | REF NO. | PART NO | PAGE | REF NO. | PART NO | PAGE | REF NO. |
|----------|------|---------|----------|------|---------|----------|------|---------|
| 40123668 | 28 | 23 | 40126223 | 20 | 28 | 40126643 | 34 | 47 |
| 40125843 | 28 | 13 | 40126259 | 46 | 4 | 40126724 | 54 | 13 |
| 40125844 | 62 | 25 | 40126259 | 48 | 4 | 40127041 | 10 | 8 |
| 40125850 | 20 | 42 | 40126260 | 46 | 1 | 40127056 | 2 | 11 |
| 40125851 | 62 | 7 | 40126263 | 56 | 3 | 40130277 | 6 | 4 |
| 40125852 | 20 | 6 | 40126264 | 20 | 31 | 40130593 | 50 | 15 |
| 40125854 | 20 | 7 | 40126265 | 54 | 3 | 40130702 | 6 | 2 |
| 40125856 | 28 | 22 | 40126266 | 58 | 24 | 40130704 | 2 | 15 |
| 40125857 | 28 | 25 | 40126267 | 72 | 8 | 40130706 | 2 | 21 |
| 40125861 | 20 | 12 | 40126269 | 20 | 30 | 40131591 | 32 | 21 |
| 40125862 | 12 | 37 | 40126311 | 62 | 14 | 40131592 | 34 | 82 |
| 40125864 | 32 | 22 | 40126321 | 6 | 9 | 40131592 | 42 | 17 |
| 40125867 | 20 | 16 | 40126338 | 20 | 27 | 40131593 | 40 | 3 |
| 40125868 | 22 | 86 | 40126339 | 28 | 28 | 40131594 | 32 | 24 |
| 40125869 | 72 | 12 | 40126351 | 16 | 1 | 40131595 | 34 | 84 |
| 40125872 | 40 | 4 | 40126354 | 62 | 10 | 40131596 | 34 | 44 |
| 40125873 | 54 | 4 | 40126355 | 62 | 1 | 40131597 | 30 | 75 |
| 40125876 | 22 | 61 | 40126357 | 28 | 12 | 40131599 | 32 | 6 |
| 40125920 | 32 | 39 | 40126359 | 30 | 66 | 40131600 | 34 | 58 |
| 40125926 | 22 | 88 | 40126360 | 16 | 7 | 40131601 | 32 | 5 |
| 40125927 | 62 | 13 | 40126364 | 26 | 6 | 40131602 | 28 | 27 |
| 40125928 | 62 | 24 | 40126365 | 12 | 23 | 40131603 | 40 | 2 |
| 40125929 | 64 | 35 | 40126366 | 12 | 38 | 40131605 | 34 | 83 |
| 40125930 | 6 | 32 | 40126367 | 26 | 1 | 40131607 | 30 | 79 |
| 40125935 | 30 | 65 | 40126372 | 12 | 20 | 40131608 | 40 | 6 |
| 40125937 | 20 | 8 | 40126374 | 22 | 87 | 40131609 | 32 | 30 |
| 40125943 | 20 | 14 | 40126375 | 28 | 21 | 40131610 | 32 | 38 |
| 40125948 | 56 | 2 | 40126381 | 12 | 4 | 40131616 | 50 | 41 |
| 40125949 | 56 | 4 | 40126382 | 12 | 18 | 40131617 | 50 | 29 |
| 40125950 | 6 | 6 | 40126390 | 20 | 26 | 40131619 | 30 | 73 |
| 40126116 | 32 | 20 | 40126391 | 16 | 6 | 40131620 | 28 | 6 |
| 40126127 | 58 | 31 | 40126400 | 20 | 41 | 40131621 | 28 | 4 |
| 40126129 | 40 | 26 | 40126401 | 28 | 10 | 40131625 | 2 | 42 |
| 40126130 | 50 | 35 | 40126402 | 10 | 5 | 40131629 | 12 | 1 |
| 40126131 | 46 | 5 | 40126404 | 54 | 12 | 40131631 | 28 | 30 |
| 40126150 | 26 | 4 | 40126405 | 72 | 7 | 40131633 | 50 | 10 |
| 40126151 | 28 | 15 | 40126545 | 58 | 9 | 40131635 | 50 | 11 |
| 40126155 | 70 | 1 | 40126549 | 62 | 23 | 40131636 | 50 | 6 |
| 40126157 | 22 | 59 | 40126550 | 62 | 12 | 40131637 | 50 | 14 |
| 40126158 | 22 | 60 | 40126560 | 70 | 3 | 40131638 | 50 | 8 |
| 40126159 | 22 | 58 | 40126562 | 56 | 14 | 40131640 | 50 | 7 |
| 40126160 | 20 | 25 | 40126563 | 56 | 13 | 40131641 | 60 | 1 |
| 40126166 | 20 | 9 | 40126582 | 66 | 59 | 40133730 | 72 | 27 |
| 40126221 | 2 | 32 | 40126594 | 62 | 5 | 40134532 | 6 | 34 |
| 40126222 | 72 | 20 | 40126642 | 34 | 46 | 40134545 | 6 | 33 |

NUMERICAL INDEX OF PARTS

| PART NO | PAGE | REF NO. | PART NO | PAGE | REF NO. | PART NO | PAGE | REF NO. |
|----------|------|---------|----------|------|---------|----------|------|----------|
| 40134805 | 2 | 13 | 40142065 | 48 | 1 | 40147935 | 52 | 58~62 |
| 40134834 | 2 | 28 | 40142200 | 32 | 2 | 40147936 | 52 | 58~62 |
| 40134967 | 52 | 49 | 40142201 | 32 | 3 | 40147937 | 52 | 52 |
| 40134982 | 28 | 7 | 40142202 | 26 | 21 | 40147938 | 52 | 54 |
| 40134993 | 34 | 49 | 40142208 | 40 | 10 | 40147939 | 2 | 38 |
| 40134994 | 34 | 51 | 40142213 | 68 | 1 | 40147944 | 2 | 12 |
| 40135472 | 16 | 9 | 40142336 | 2 | 5 | 40148037 | 18 | 16 |
| 40135473 | 16 | 4 | 40142430 | 72 | 13 | 40149030 | 18 | 2 |
| 40135475 | 16 | 8 | 40143082 | 12 | 11 | 40149032 | 18 | 4 |
| 40135498 | 50 | 12 | 40143083 | 6 | 11 | 40149033 | 18 | 5 |
| 40135816 | 30 | 80 | 40143084 | 12 | 9 | 40149034 | 18 | 9 |
| 40135860 | 32 | 37 | 40143085 | 30 | 51 | 40149035 | 18 | 12 |
| 40135897 | 50 | 26 | 40143086 | 12 | 22 | 40149036 | 18 | 13 |
| 40135955 | 52 | 50 | 40143087 | 30 | 50 | 40149037 | 18 | 17 |
| 40137611 | 58 | 12 | 40143088 | 6 | 16 | 40149039 | 32 | 15 |
| 40137921 | 50 | 20·30 | 40143185 | 14 | 49~62 | 40149040 | 2 | 24 |
| 40137971 | 60 | 2 | 40143188 | 14 | 49~62 | 40149041 | 4 | 48 |
| 40137997 | 28 | 11 | 40143220 | 10 | 6 | 40149042 | 2 | 1 |
| 40138020 | 30 | 81 | 40143221 | 10 | 28 | 40149043 | 50 | 27 |
| 40138418 | 14 | 49~62 | 40143581 | 14 | 49~62 | 40149044 | 60 | 4 |
| 40138419 | 14 | 49~62 | 40143624 | 26 | 22 | 40149045 | 72 | 24 |
| 40138420 | 14 | 49~62 | 40143624 | 32 | 69 | 40149047 | 18 | 3 |
| 40138421 | 14 | 49~62 | 40143624 | 34 | 69 | 40149115 | 22 | 74~77 |
| 40138422 | 14 | 49~62 | 40143626 | 28 | 2 | 40149116 | 22 | 74~77 |
| 40138423 | 14 | 49~62 | 40144283 | 26 | 5 | 40149117 | 22 | 74~77 |
| 40139043 | 12 | 19 | 40144287 | 20 | 4 | 40149118 | 22 | 74~77 |
| 40139477 | 6 | 41 | 40144289 | 20 | 1 | 40149120 | 22 | 78~81 |
| 40139478 | 6 | 42 | 40145548 | 20 | 35~37 | 40149121 | 22 | 78~81 |
| 40139479 | 6 | 44 | 40145549 | 20 | 35~37 | 40149122 | 22 | 78~81 |
| 40139480 | 6 | 43 | 40145550 | 20 | 35~37 | 40149123 | 22 | 78~81 |
| 40139485 | 42 | 14 | 40147912 | 18 | 1 | 40149125 | 22 | 82~85 |
| 40139486 | 42 | 15 | 40147913 | 18 | 21 | 40149126 | 22 | 82~85 |
| 40142036 | 72 | 35 | 40147913 | 72 | 1 | 40149127 | 22 | 82~85 |
| 40142037 | 72 | 37 | 40147915 | 16 | 3 | 40149128 | 22 | 82~85 |
| 40142040 | 42 | 9 | 40147918 | 2 | 10 | 40149304 | 60 | 5 |
| 40142041 | 42 | 1 | 40147919 | 4 | 52 | 40150059 | 32 | 1 |
| 40142048 | 42 | 19 | 40147925 | 58 | 18 | 40150131 | 2 | 46 |
| 40142049 | 42 | 27 | 40147926 | 52 | 46 | 40151451 | 72 | 14·15·26 |
| 40142050 | 50 | 20·30 | 40147927 | 50 | 39 | 40151452 | 72 | 14·15·26 |
| 40142051 | 56 | 11·17 | 40147928 | 50 | 42 | 40151453 | 72 | 14·15·26 |
| 40142052 | 2 | 26·41 | 40147929 | 50 | 45 | 40151454 | 72 | 2 |
| 40142053 | 48 | 5 | 40147930 | 50 | 5 | 40151488 | 6 | 8 |
| 40142054 | 44 | 4·9 | 40147932 | 52 | 58~62 | 40151791 | 62 | 15 |
| 40142057 | 4 | 57 | 40147933 | 52 | 58~62 | 40151799 | 4 | 51 |
| 40142064 | 44 | 1·6 | 40147934 | 52 | 58~62 | 40151800 | 72 | 11 |

NUMERICAL INDEX OF PARTS

| PART NO | PAGE | REF NO. | PART NO | PAGE | REF NO. | PART NO | PAGE | REF NO. |
|-------------|------|---------|-------------|------|---------|-------------|------|---------|
| 40151803 | 72 | 29 | B91210120A0 | 72 | 16 | HX00065000A | 42 | 32 |
| 40151804 | 72 | 30 | BT0400251EB | 26 | 12·23 | HX00150000B | 42 | 29 |
| 40151805 | 72 | 31 | BT0400251EB | 30 | 84 | HX00150000B | 72 | 22 |
| 40152022 | 62 | 34 | BT0400251EB | 34 | 78·79 | HX00150000C | 58 | 6 |
| 40152295 | 12 | 3 | BT0400251EB | 38 | 2·13 | HX00150000H | 4 | 60 |
| 40152451 | 10 | 2 | BT0400251EB | 40 | 13 | HX00150000H | 58 | 38 |
| 40153570 | 36 | 90~92 | BT0400251EB | 42 | 7 | HX00150000M | 58 | 39 |
| 40153571 | 36 | 90~92 | BT0400251EB | 58 | 22 | HX00150000M | 66 | 54 |
| 40153572 | 36 | 90~92 | BT0600401EB | 58 | 16 | MAO11532000 | 72 | 4 |
| 40154199 | 24 | 91 | BT0630520Z0 | 72 | 34 | MC321001400 | 10 | 14 |
| 40154832 | 30 | 88 | BT0800501EB | 58 | 17 | MC321001402 | 72 | 17 |
| 40154833 | 30 | 89 | CM300200001 | 2 | 14 | NM6030001SC | 56 | 7 |
| 40155956 | 54 | 5 | CM600100101 | 2 | 45 | NM6040002SC | 68 | 27 |
| 40155958 | 54 | 28 | CM600100201 | 72 | 10 | NM6050001SD | 30 | 78 |
| 40155960 | 54 | 32 | CQ202000000 | 22 | 72 | NM6050001SD | 32 | 29 |
| 40155994 | 54 | 29 | CQ202000000 | 28 | 48 | NM6050001SE | 40 | 18 |
| 40161459 | 54 | 6 | CQ202000000 | 30 | 48 | NM6050001SE | 68 | 24 |
| 40163914 | 72 | 28 | CQ202000000 | 66 | 68 | NM6050001SP | 58 | 35 |
| 40164521 | 72 | 18 | CQ252000000 | 10 | 26 | NM6050001SP | 72 | 39 |
| 40171574 | 20 | 17 | CQ252000000 | 22 | 68 | NM6050003SC | 66 | 60 |
| 40176628 | 20 | 5 | CQ303000000 | 64 | 73 | NM6060001SD | 20 | 19 |
| 40177648 | 40 | 8 | CQ303000000 | 66 | 73 | NM6060001SD | 32 | 18 |
| B111105100B | 4 | 54 | CS100081CSP | 34 | 72 | NS6110310SP | 50 | 21 |
| B1111563000 | 2 | 35 | CS1201171TP | 34 | 71 | NS6110310SP | 54 | 36 |
| B125578100A | 28 | 32 | CS1701181TP | 10 | 3 | NS6110310SP | 64 | 63 |
| B1308055000 | 12 | 39 | D1231555B00 | 20 | 43 | NS6110310SP | 66 | 63 |
| B1310055000 | 12 | 40 | D1231555B00 | 28 | 31 | NS6680410SP | 30 | 63 |
| B1314055000 | 12 | 41 | D2112555B00 | 2 | 56 | PA200150900 | 32 | 66 |
| B1438512B00 | 10 | 15~22 | D2112555B00 | 4 | 56 | PA200150900 | 34 | 66 |
| B1504210000 | 38 | 1 | D2629M1YC0F | 32 | 27 | PA200200500 | 30 | 77 |
| B1516210D00 | 72 | 19 | E2613700000 | 20 | 20 | PA2004004A0 | 42 | 5 |
| B1639051000 | 12 | 31 | E8760452D00 | 46 | 6 | PA250250900 | 38 | 12 |
| B1843563000 | 64 | 58 | EA9500B0100 | 4 | 62 | PA400150200 | 26 | 16 |
| B1843563000 | 66 | 58 | EA9500B0100 | 34 | 45 | PF055107000 | 58 | 29 |
| B185351200E | 50 | 1 | EA9500B0100 | 40 | 27 | PJ025100003 | 58 | 33 |
| B2528845000 | 4 | 59 | EA9500B0100 | 42 | 31 | PJ032052503 | 30 | 87 |
| B255728000A | 14 | 49~62 | EA9500B0100 | 56 | 16 | PJ046052503 | 34 | 74 |
| B255728000B | 14 | 49~62 | EA9500B0100 | 58 | 42 | PJ046052503 | 40 | 14 |
| B255728000C | 14 | 49~62 | EA9500B0100 | 66 | 56 | PJ046052503 | 42 | 6 |
| B255728000D | 14 | 49~62 | EA9500B0200 | 58 | 41 | PJ046052503 | 58 | 21 |
| B255728000E | 14 | 49~62 | HA004680000 | 46 | 7 | PJ301040001 | 58 | 32 |
| B3031141H00 | 38 | 3 | HK063610220 | 46 | 10 | PJ304040504 | 38 | 5 |
| B3112704000 | 54 | 8 | HK075230000 | 46 | 9 | PJ308065101 | 58 | 30 |
| B31375270A0 | 54 | 15 | HW000840040 | 46 | 8 | PS0350102KR | 32 | 50 |
| B3538112000 | 12 | 5 | HX00055000E | 4 | 50 | PS0350102KR | 34 | 50 |

NUMERICAL INDEX OF PARTS

| PART NO | PAGE | REF NO. | PART NO | PAGE | REF NO. | PART NO | PAGE | REF NO. |
|-------------|------|---------|-------------|------|---------|-------------|------|---------|
| PV150206000 | 58 | 20 | SL4040881SC | 32 | 31 | SM6030602TP | 50 | 23 |
| PV150209000 | 58 | 11 | SL4041091SC | 58 | 10 | SM6030602TP | 56 | 9 |
| RC0150001KP | 22 | 45 | SL4041091SC | 66 | 55 | SM6030602TP | 58 | 23 |
| RC0150001KP | 28 | 37 | SL4041491SC | 44 | 11 | SM6031202TP | 62 | 20 |
| RC0560711KP | 16 | 2 | SL4051091SC | 40 | 1 | SM6031202TP | 64 | 46 |
| RC0560711KP | 62 | 17 | SL4051091SC | 42 | 4 | SM6040502TP | 12 | 12 |
| RC0650811KP | 30 | 49 | SL6051092TN | 64 | 38 | SM6040600SP | 4 | 49 |
| RC0740816K0 | 12 | 8 | SL6052592TN | 6 | 17 | SM6040602TP | 12 | 13 |
| RC2351018KP | 12 | 7 | SM0030601SC | 62 | 18 | SM6040650TP | 10 | 10 |
| RE0300000K0 | 52 | 53 | SM0050801SC | 22 | 53 | SM6040650TP | 12 | 14 |
| RE0320000K0 | 38 | 4 | SM0051001SC | 62 | 32 | SM6040650TP | 22 | 51 |
| RE0400000K0 | 26 | 25 | SM1030601SN | 50 | 47 | SM6040650TP | 30 | 69 |
| RE0500000K0 | 12 | 32 | SM1030601SN | 52 | 47 | SM6040802TP | 16 | 11 |
| RE0500000K0 | 22 | 49 | SM1040750TP | 2 | 43 | SM6040802TP | 50 | 25 |
| RE0500000K0 | 54 | 41 | SM1051052TN | 2 | 37 | SM6040802TP | 64 | 16 |
| RE1200000K0 | 28 | 38 | SM1061201SN | 12 | 44 | SM6041002TP | 50 | 19 |
| RO037180100 | 54 | 26 | SM4021601SN | 46 | 3 | SM6041202TP | 52 | 57 |
| RO092270200 | 32 | 56 | SM4021601SN | 48 | 3 | SM6041802TP | 66 | 67 |
| RO092270200 | 34 | 56 | SM4030601SN | 20 | 10 | SM6050800SP | 30 | 72 |
| RO098240100 | 64 | 37 | SM4040655SP | 2 | 36 | SM6050802TP | 26 | 9 |
| SB108002400 | 6 | 40 | SM4040655SP | 50 | 34 | SM6050802TP | 34 | 59 |
| SB120001800 | 6 | 13 | SM4040855SP | 2 | 29·55 | SM6050802TP | 40 | 11 |
| SB120001800 | 12 | 28 | SM4040855SP | 4 | 29·55 | SM6050802TP | 58 | 19 |
| SB125000600 | 22 | 50 | SM4040855SP | 42 | 30 | SM6051000SP | 22 | 52 |
| SB30800140A | 50 | 32 | SM4040855SP | 58 | 40 | SM6051202TP | 32 | 87 |
| SD0450401SP | 54 | 27 | SM4040855SP | 64 | 22 | SM6051202TP | 34 | 87 |
| SD0500726TP | 50 | 16 | SM4041201SC | 68 | 29 | SM6051202TP | 42 | 18 |
| SD0550271TP | 56 | 8 | SM4041255SP | 4 | 61 | SM6051202TP | 58 | 37 |
| SD0640322TP | 12 | 43 | SM4042501SC | 68 | 28 | SM6051400SP | 32 | 33 |
| SD0650321TP | 50 | 22 | SM4050501SC | 10 | 23 | SM6051402TP | 72 | 42 |
| SD0800329TP | 50 | 24 | SM4050655SP | 72 | 25 | SM6051602TP | 30 | 76 |
| SD0800346TP | 34 | 57 | SM4050855SP | 2 | 58 | SM6051602TP | 34 | 62 |
| SD0800406TP | 36 | 89 | SM4050855SP | 4 | 58 | SM6051802TP | 26 | 8 |
| SD0800406TP | 40 | 17 | SM4050855SP | 32 | 32 | SM6052502TN | 42 | 10 |
| SD0800426TP | 34 | 63 | SM4050855SP | 40 | 7 | SM6054002TN | 30 | 82 |
| SD0802126TP | 20 | 18 | SM4050855SP | 42 | 28 | SM6054502TN | 6 | 45 |
| SD0900426TP | 34 | 48 | SM4050855SP | 54 | 37 | SM6054502TN | 26 | 20 |
| SD1021251SP | 28 | 20 | SM4050855SP | 72 | 21 | SM6054502TP | 32 | 19 |
| SK3412000SC | 70 | 7 | SM4051001SN | 54 | 38 | SM6054502TP | 38 | 10 |
| SK3452501SE | 72 | 44 | SM4051055SP | 2 | 29·55 | SM6056552TP | 40 | 15 |
| SK3482001SE | 58 | 28 | SM4051255SP | 56 | 12 | SM6061002TP | 38 | 8 |
| SK3482001SE | 70 | 2 | SM4051405SE | 68 | 23 | SM6061002TP | 40 | 12 |
| SK3512001SE | 58 | 15 | SM4055501SC | 2 | 23 | SM6061002TP | 42 | 2 |
| SL4040691SC | 46 | 11 | SM4061255SP | 72 | 36 | SM6061010TP | 34 | 60 |
| SL4040691SC | 48 | 6 | SM5040655SN | 62 | 19 | SM6061202TP | 22 | 54 |

NUMERICAL INDEX OF PARTS

| PART NO | PAGE | REF NO. | PART NO | PAGE | REF NO. | PART NO | PAGE | REF NO. |
|-------------|------|---------|-------------|------|---------|-------------|------|---------|
| SM6061202TP | 50 | 38 | SM8060612TP | 42 | 13 | WP0450826SC | 62 | 22 |
| SM6061402TP | 30 | 61 | SM8060812TP | 6 | 26 | WP0450846SP | 64 | 20 |
| SM6061402TP | 32 | 26 | SM8060812TP | 12 | 29 | WP0460556SD | 54 | 23 |
| SM6061602TP | 26 | 19 | SM8060812TP | 30 | 59 | WP0501016SD | 54 | 21 |
| SM6061602TP | 30 | 52 | SM80608A2TP | 6 | 48 | WP0501016SD | 58 | 14 |
| SM6061602TP | 34 | 61 | SM80608A2TP | 8 | 48 | WP0501016SD | 70 | 8 |
| SM6061602TP | 38 | 9 | SM8061002TP | 50 | 9 | WP0531001SC | 6 | 46 |
| SM6061802TP | 12 | 15 | SM8080812TP | 6 | 38 | WP0531001SC | 68 | 22 |
| SM6061802TP | 30 | 74 | SQ2050452MZ | 66 | 57 | WP0550800SP | 72 | 45 |
| SM6061802TP | 66 | 61 | SS1090520TP | 52 | 56 | WP0551016SH | 72 | 38 |
| SM6062002TP | 22 | 55 | SS2060310SP | 10 | 29 | WP0612066SP | 16 | 10 |
| SM6062502TP | 30 | 90 | SS3090710TP | 54 | 19 | WP0651001SC | 22 | 90 |
| SM6081552TP | 26 | 18 | SS4090515SP | 56 | 5 | WP0740516SP | 16 | 5 |
| SM6850400SP | 52 | 51 | SS4110615SP | 54 | 20 | WP0740516SP | 28 | 64 |
| SM8030312TP | 52 | 48 | SS4110815SP | 54 | 35 | WP0740516SP | 30 | 64 |
| SM8040412TP | 4 | 53 | SS6090580TP | 50 | 55 | WP0820516SP | 6 | 36 |
| SM8040412TP | 30 | 54 | SS6090580TP | 52 | 55 | WP1612616SE | 68 | 15 |
| SM8040612TP | 16 | 12 | SS6111052TP | 30 | 60 | WS0510002KN | 58 | 36 |
| SM8050412TP | 12 | 16 | SS6121860SP | 32 | 65 | WS0510002KN | 68 | 21 |
| SM8050412TP | 32 | 88 | SS6121860SP | 34 | 65 | WT1780011KP | 32 | 25 |
| SM8050412TP | 34 | 88 | SS7090910TP | 10 | 11 | WZ1052010KP | 26 | 11 |
| SM8050412TP | 36 | 88 | SS7110740TP | 40 | 25 | | | |
| SM8050502TP | 62 | 21 | SS7110740TP | 42 | 25 | | | |
| SM8050512TP | 64 | 39 | SS8080410TP | 10 | 27 | | | |
| SM8050612TP | 16 | 14 | SS8110422TP | 28 | 39 | | | |
| SM8050612TP | 20 | 11 | SS8110422TP | 50 | 44 | | | |
| SM8050612TP | 30 | 57 | SS8110520TP | 34 | 73 | | | |
| SM8050612TP | 42 | 16 | SS8111010TP | 12 | 45 | | | |
| SM8050612TP | 60 | 3 | SS8151550SP | 8 | 49 | | | |
| SM80506A2TP | 12 | 17 | SS8660610TP | 28 | 36 | | | |
| SM80506A2TP | 50 | 37 | SS8660612TP | 12 | 48 | | | |
| SM8050812TP | 6 | 7 | SS8660612TP | 14 | 48 | | | |
| SM8050812TP | 30 | 56 | SS8661012TP | 54 | 39 | | | |
| SM8050842TP | 30 | 55 | ST4041451SN | 58 | 27 | | | |
| SM8051002TP | 62 | 33 | TA0500301R0 | 10 | 24 | | | |
| SM8060412TP | 32 | 35 | TA0620504R0 | 10 | 25 | | | |
| SM8060552TP | 20 | 57 | TA1030402R0 | 2 | 17 | | | |
| SM8060552TP | 22 | 57 | TA1250406R0 | 2 | 19 | | | |
| SM8060612TP | 6 | 37 | TA1270502R0 | 2 | 18 | | | |
| SM8060612TP | 10 | 4 | TA1650406R0 | 2 | 47 | | | |
| SM8060612TP | 16 | 13 | TA1650406R0 | 4 | 47 | | | |
| SM8060612TP | 22 | 56 | WP0320501SE | 56 | 10 | | | |
| SM8060612TP | 26 | 7 | WP0430800SD | 22 | 89 | | | |
| SM8060612TP | 30 | 58 | WP0430801SC | 58 | 26 | | | |
| SM8060612TP | 34 | 85 | WP0450000SD | 50 | 31 | | | |