

MODEL : DDL-8100B-7/DDL-8100B-7R

List No : 1627-03

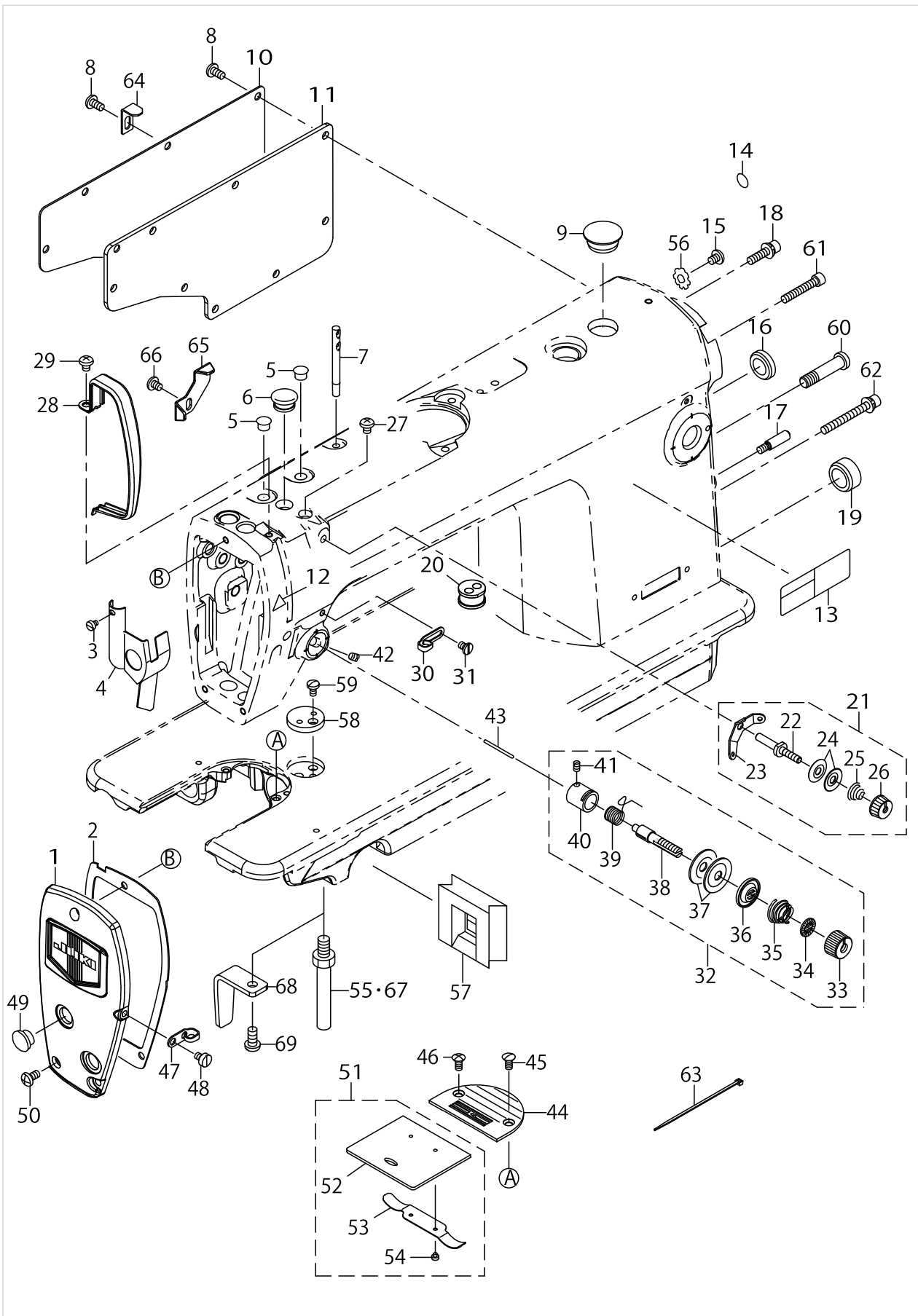
PARTS LIST

Published:05/12/2017

CONTENTS

| | |
|---|----|
| MACHINE FRAME & MISCELLANEOUS COVER COMPONENTS | 1 |
| BOBBIN WINDER COMPONENTS..... | 5 |
| MAIN SHAFT & THREAD TAKE-UP LEVER COMPONENTS | 7 |
| NEEDLE BAR, UPRIGHT SHAFT & HOOK DRIVING SHAFT COMPONENTS | 9 |
| HAND LIFTER COMPONENTS | 11 |
| FEED MECHANISM COMPONENTS..... | 15 |
| THREAD TRIMMER COMPONENTS (FOR DDL-8100B-7)..... | 19 |
| THREAD TRIMMER COMPONENTS (FOR DDL-8100B-7R)..... | 23 |
| AUTOMATIC REVERSE FEED COMPONENTS..... | 25 |
| WIPER COMPONENTS..... | 27 |
| OIL LUBRICATION COMPONENTS | 29 |
| OIL RESERVOIR COMPONENTS | 31 |
| PSC UNIT | 33 |
| LIST FOR INFORMATION OF CHANGE..... | 35 |
| HOW TO MAKE USE OF THIS PARTS LIST | 36 |

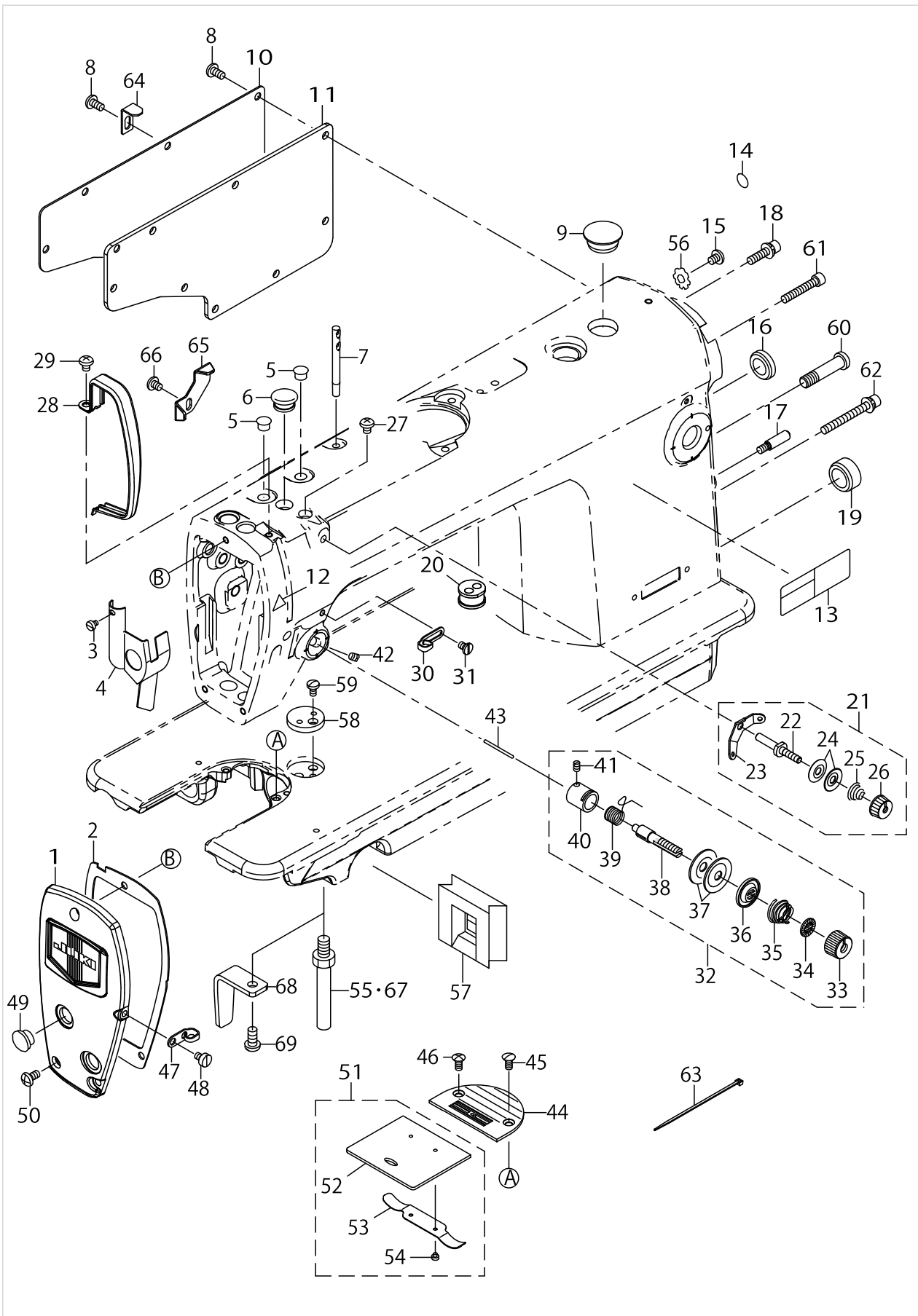
MACHINE FRAME & MISCELLANEOUS COVER COMPONENTS



MACHINE FRAME & MISCELLANEOUS COVER COMPONENTS

| No. | Supply Code | Parts No. | Replacement | Parts name | Remarks | Choice | Step | Level | Cons | Qty | Rep. QTY |
|-----|-------------|-------------|-------------|----------------------------|---------|--------|--------------------------------------|-------|------|-----|----------|
| 1 | | 40102097 | | FACE_PLATE_ASM. | | | | | | 1 | |
| 2 | | 40012126 | | FACE PLATE PACKING | | | | | | 1 | |
| 3 | | SS6080320SP | | SCREW 1/8-44 L=2.5 | | | | | | 1 | |
| 4 | | 22900757 | | FACE PLATE OIL SHIELD ASM. | | | | | | 1 | |
| 5 | | TA0850604R0 | | RUBBER PLUG | | | | | | 2 | |
| 6 | | TA1250705R0 | | RUBBER PLUG | | | | | | 1 | |
| 7 | | 22958300 | | NEEDLE THREAD GUIDE PIN | | | | | | 1 | |
| 8 | | SS4120915SP | | SCREW 3/16-28 L=9 | | | | | | 8 | |
| 9 | | TA2100904R0 | | RUBBER PLUG | | | | | | 1 | |
| 10 | | 22900401 | | WINDOW PLATE | | | | | | 1 | |
| 11 | | 40012129 | | SIDE PLATE PACKING | | | | | | 1 | |
| 12 | | CM300200001 | | ATTENTION SEAL | | | | | | 1 | |
| 13 | | 40102261 | | SAFETY_LABEL_S | | | | | | 1 | |
| 14 | | 22901805 | | GROUND MARK | | | | | | 1 | |
| 15 | | SS4120615SP | | SCREW 3/16-28 L=6 | | | | | | 1 | |
| 16 | | TA2000502R0 | | RUBBER PLUG | | | | | | 1 | |
| 17 | | 40115888 | | LEVER_STOPPER_ASSY | | | | | | 1 | |
| 18 | | SL6052092TN | | SCREW | | | | | | 1 | |
| 19 | | TA2101002R0 | | RUBBER PLUG | | | | | | 1 | |
| 20 | | 40111022 | | MAGNET CORD RUBBER | | | | | | 1 | |
| 21 | | 22945463 | | THREAD TENSION ASM. NO.1 | | | | | | 1 | |
| 22 | | 22945414 | | THREAD TENSION POST | | | | * | | 1 | |
| 23 | R | 22945604 | 22963458 | THREAD TENSION GUIDE | | A | DDL8700H-7/8700J--7/9000B, DLN6390-7 | * | | 1 | 1.00 |
| 23 | R | 22945604 | 22945463 | THREAD TENSION GUIDE | | B | DDL8700-7 and so on | * | | 1 | 1.00 |
| 24 | | 22945802 | | THREAD TENSION DISK | | | | * | | 2 | |
| 25 | | 22945505 | | THREAD TENSION SPRING | | | | * | | 1 | |
| 26 | | 22945703 | | THREAD TENSION NUT | | | | * | | 1 | |
| 27 | | SS4120615SP | | SCREW 3/16-28 L=6 | | | | | | 1 | |
| 28 | | 22900609 | | THREAD TAKE-UP LEVER COVER | | | | | | 1 | |
| 29 | | SS4120615SP | | SCREW 3/16-28 L=6 | | | | | | 1 | |
| 30 | | 22920508 | | ARMTHREADGUIDEA | | | | | | 1 | |
| 31 | | 22921001 | | SCREW | | | | | | 1 | |
| 32 | | 40126850 | | THREAD TENSION ASM. | | | | | | 1 | |
| 33 | | 22921308 | | THREAD TENSION NUT | | | | * | | 1 | |
| 34 | | 22921407 | | ROTATION STOPPER | | | | * | | 1 | |
| 35 | | 40112420 | | THREAD TENSION SPRING M | | | | * | | 1 | |
| 36 | | 22921803 | | DISK STOPPER | | | | * | | 1 | |
| 37 | | 22921506 | | THREAD TENSION DISK | | | | * | | 2 | |
| 38 | | 22921209 | | THREAD TENSION POST | | | | * | | 1 | |
| 39 | | 22921605 | | THREAD TAKE-UP SPRING | | | | * | | 1 | |
| 40 | | 22945307 | | THREAD TENSION POST BASE | | | | * | | 1 | |
| 41 | | SS8090670SP | | SCREW 9/64-40 L=5.5 | | | | * | | 1 | |
| 42 | | SS8150710TP | | SCREW 15/64-28 L=7 | | | | | | 1 | |
| 43 | | 22920904 | | TENSION RELEASING | | | | | | 1 | |

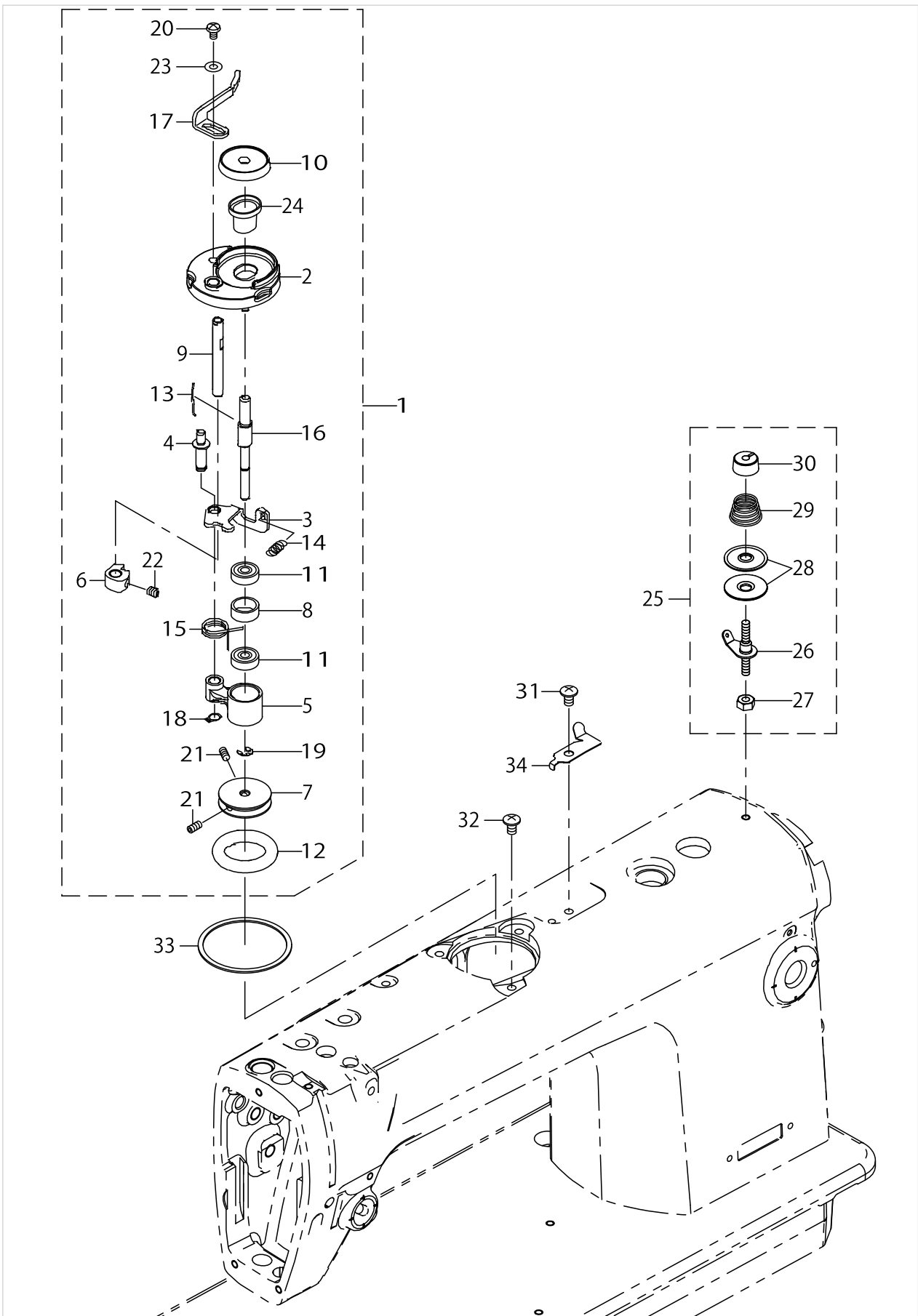
MACHINE FRAME & MISCELLANEOUS COVER COMPONENTS



MACHINE FRAME & MISCELLANEOUS COVER COMPONENTS

| No. | Supply Code | Parts No. | Replacement | Parts name | Remarks | Choice | Step | Level | Cons | Qty | Rep. QTY |
|-----|-------------|-------------|-------------|------------------------|------------------|--------|------|-------|------|-----|----------|
| 44 | | B1109552000 | | THROAT PLATE | | | | | | 1 | |
| 45 | | SS2110920TP | | SCREW 11/64-40 L=8.5 | | | | | | 1 | |
| 46 | | SS2110915SP | | SCREW 11/64-40 L=8.5 | | | | | | 1 | |
| 47 | | 22920607 | | ARMTHREADGUIDEB | | | | | | 1 | |
| 48 | | SS6110610TP | | SCREW 11/64-40 L=6 | | | | | | 1 | |
| 49 | | TA1250406R0 | | RUBBER PLUG D=12.5 L=4 | | | | | | 2 | |
| 50 | | SS4120915SP | | SCREW 3/16-28 L=9 | | | | | | 3 | |
| 51 | | 22901250 | | SLIDE PLATE ASM. | | | | | | 1 | |
| 52 | R | 22901201 | 22901250 | SLIDE PLATE | | | | * | | 1 | 1.00 |
| 53 | | 22901300 | | SLIDE PLATE SPRING | | | | * | | 1 | |
| 54 | | SS6060210SP | | SCREW 3/32-56 L=1.9 | | | | * | | 2 | |
| 55 | | 22901003 | | BED SCREW STUD | FOR DDL-8100B-7 | | | | | 4 | |
| 56 | | WT0530002KS | | TOOTHED WASHER D=5.3 | | | | | | 1 | |
| 57 | | 22935407 | | BED OIL SHIELD RUBBER | FOR DDL-8100B-7 | | | | | 1 | |
| 58 | | 40099083 | | RULER STOP SEAT | | | | | | 1 | |
| 59 | | SS7110720SP | | SCREW 11/64-40 L=7 | | | | | | 2 | |
| 60 | | 40126305 | | SCREW_5/16-24_35 | | | | | | 1 | |
| 61 | | SM6053052TN | | SCREW | | | | | | 1 | |
| 62 | | SL6054592TN | | SCREW | | | | | | 1 | |
| 63 | | EA9500B0100 | | CABLE BAND | | | | | | 1 | |
| 64 | | 40126308 | | CORD_CLAMP | | | | | | 1 | |
| 65 | | 40111896 | | CORD_CLAMP | FOR 0B | | | | | 1 | |
| 66 | | SS4120615SP | | SCREW 3/16-28 L=6 | FOR 0B | | | | | 1 | |
| 67 | | 22901003 | | BED SCREW STUD | FOR DDL-8100B-7R | | | | | 3 | |
| 68 | | 40132099 | | BED_STD_R | FOR DDL-8100B-7R | | | | | 1 | |
| 69 | | SS4151215SP | | SCREW15/64-28L=12 | FOR DDL-8100B-7R | | | | | 1 | |

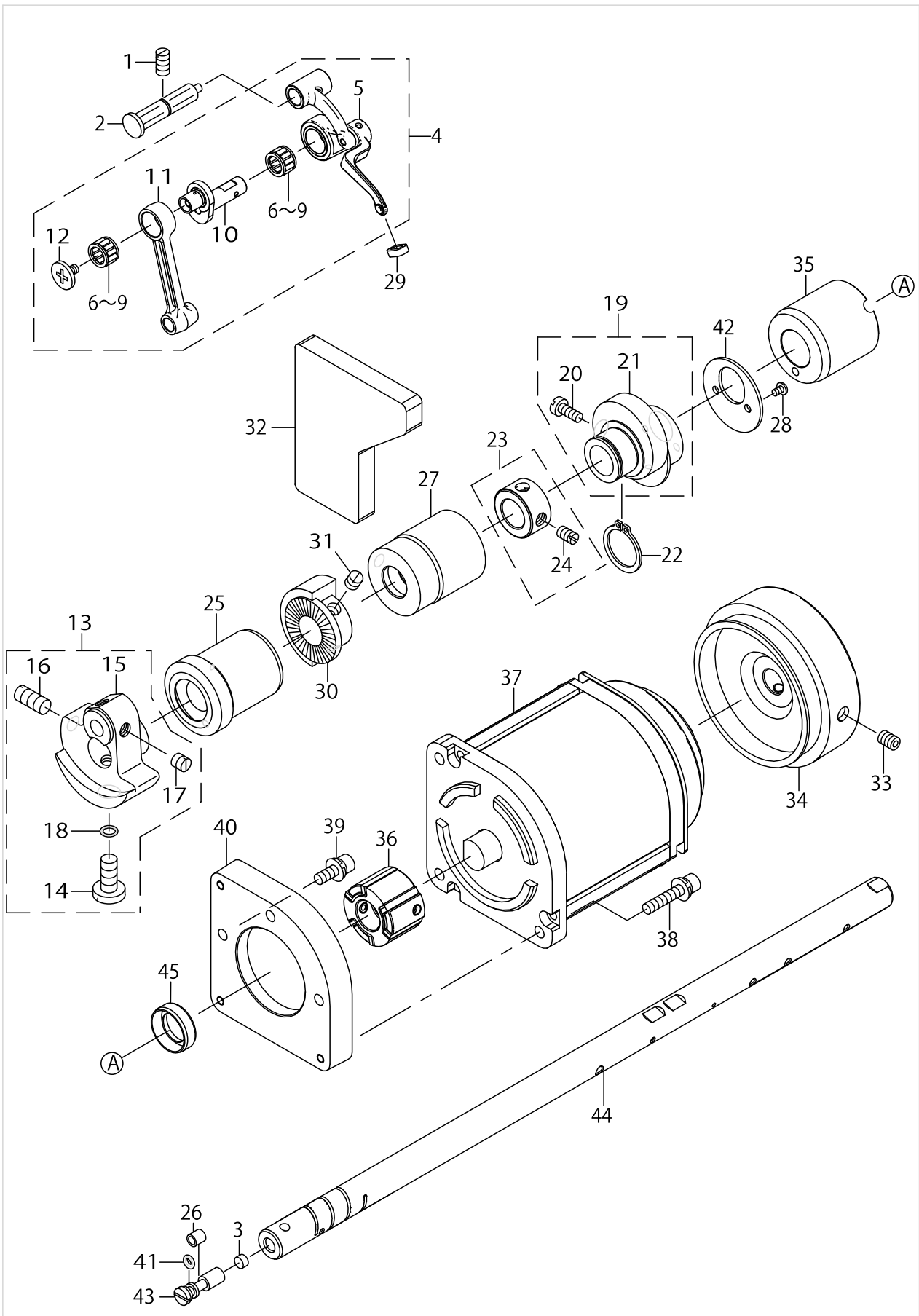
BOBBIN WINDER COMPONENTS



BOBBIN WINDER COMPONENTS

| No. | Supply Code | Parts No. | Replacement | Parts name | Remarks | Choice | Step | Level | Cons | Qty | Rep. QTY |
|-----|-------------|-------------|-------------|----------------------------|---------|--------|------|-------|------|-----|----------|
| 1 | | 40110976 | | BOBBIN_WINDER_UNIT | | | | | | 1 | |
| 2 | R | 26260109 | 26260000 | BTW_BASE | | | | * | | 1 | 1.00 |
| 3 | | 26260208 | | BTW_CAM_PLATE | | | | * | | 1 | |
| 4 | | 26260307 | | BTW_BASE_SHAFT | | | | * | | 1 | |
| 5 | | 26260406 | | BTW_SHAFT_BASE | | | | * | | 1 | |
| 6 | | 26260505 | | BTW_CAM_LEVER | | | | * | | 1 | |
| 7 | | 26260604 | | BTW_WHEEL | | | | * | | 1 | |
| 8 | R | 26260802 | 26260000 | BTW_BEARING_SPACER | | | | * | | 1 | 1.00 |
| 9 | | 26261008 | | BTW_LEVER_SHAFT | | | | * | | 1 | |
| 10 | | 26261206 | | BTW_SPACER | | | | * | | 1 | |
| 11 | R | 26261305 | 26260000 | BTW_BEARING | | | | * | | 2 | 1.00 |
| 12 | | 26261503 | | BTW_WHEEL_RUBBER | | | | * | ☆ | 1 | |
| 13 | | 26261602 | | BOBBIN_SPRING | | | | * | ☆ | 1 | |
| 14 | | 26261701 | | BTW_SPRING | | | | * | | 1 | |
| 15 | | 40011144 | | BTW_TORSION_SPRING | | | | * | | 1 | |
| 16 | | 40110975 | | BTW_SHAFT | | | | * | | 1 | |
| 17 | | 40021933 | | BTW_LEVER | | | | * | | 1 | |
| 18 | | RC0560711KP | | RETAINING RING | | | | * | | 1 | |
| 19 | | RE0400000K0 | | E-RING 4 | | | | * | | 1 | |
| 20 | | SM5040655SN | | SCREW | | | | * | | 1 | |
| 21 | | SM8040802TP | | SCREW M4X8 | | | | * | | 2 | |
| 22 | | SM8050502TP | | SCREW M5 L=5 | | | | * | | 1 | |
| 23 | | WP0450826SC | | WASHER 4.5X10X0.8 | | | | * | | 1 | |
| 24 | | 40119475 | | OIL_GUARD | | | | * | | 1 | |
| 25 | | 40110731 | | BOBBIN_THREAD_TENSION_ASSY | | | | | | 1 | |
| 26 | | 40110734 | | BOBBIN_THREAD_ROD_ASSY | | | | * | | 1 | |
| 27 | | NS6120630SP | | NUT 3/16-28 | | | | * | | 1 | |
| 28 | | 22921506 | | THREAD TENSION DISK | | | | * | | 2 | |
| 29 | | D7133555B00 | | CONNECTING ROD SPRING | | | | * | | 1 | |
| 30 | | 22945703 | | THREAD TENSION NUT | | | | * | ☆ | 1 | |
| 31 | | SM0050801SC | | SCREW | | | | | | 1 | |
| 32 | | SM0050801SC | | SCREW | | | | | | 3 | |
| 33 | | 40163521 | | PACKING | | | | | | 1 | |
| 34 | | 40037008 | | THREAD_CUTTER | | | | | | 1 | |

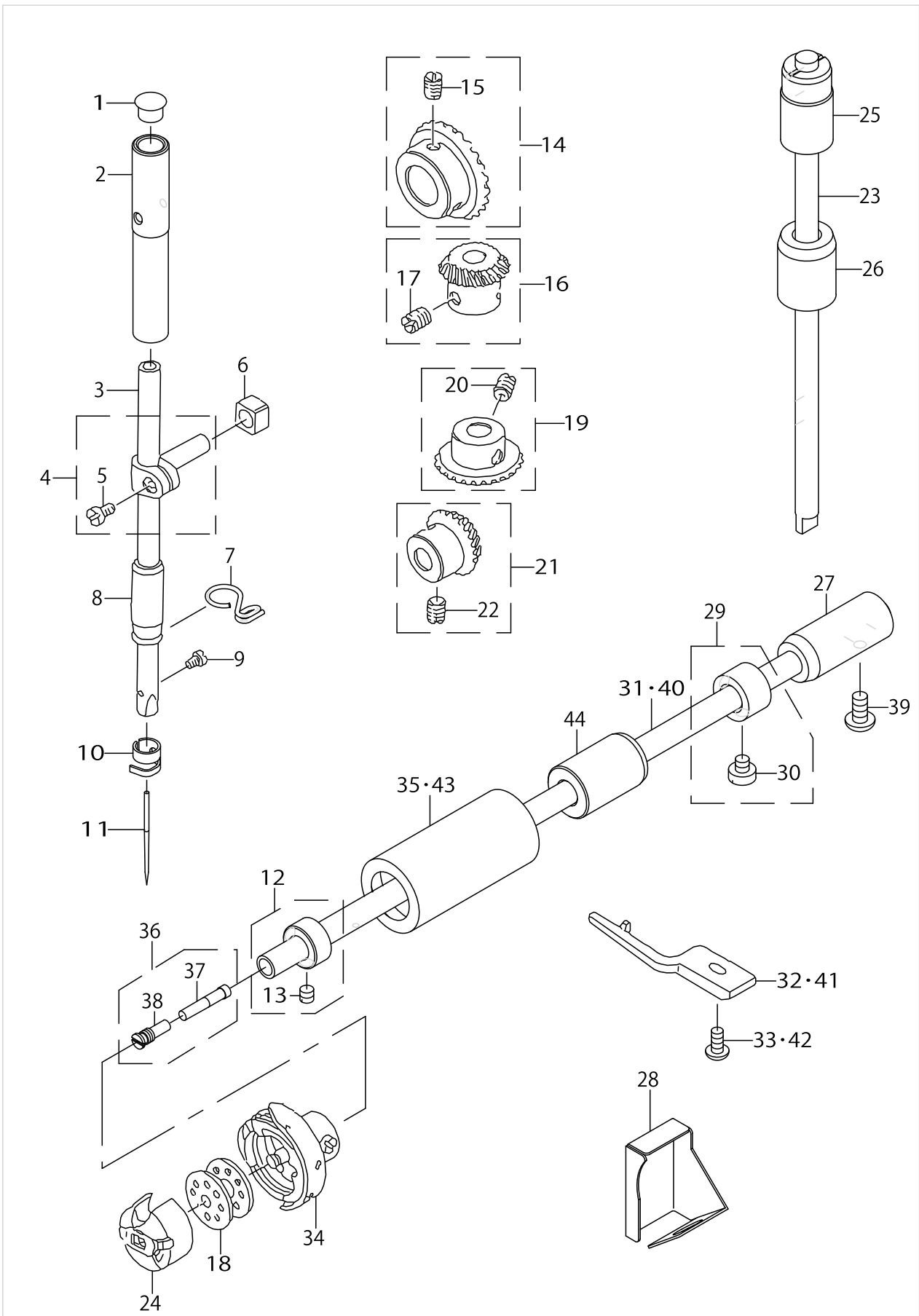
MAIN SHAFT & THREAD TAKE-UP LEVER COMPONENTS



MAIN SHAFT & THREAD TAKE-UP LEVER COMPONENTS

| No. | Supply Code | Parts No. | Replacement | Parts name | Remarks | Choice | Step | Level | Cons | Qty | Rep. QTY |
|-----|-------------|-------------|--------------|---------------------------------------|-----------------|--------|------|-------|------|-----|----------|
| 1 | | SS8151150TP | | SCREW 15/64-28 L=10.5 | | | | | | 1 | |
| 2 | | 22919559 | | THREAD TAKE-UP CRANK SHAFT ASM. | | | | | | 1 | |
| 3 | | 11002904 | | ROLLER FELT | | | | | | 1 | |
| 4 | | 40103560 | | LINK_THREAD_TAKE- -UP_LENER-H_ASM. | | | | | | 1 | |
| 5 | R | 22918064 | 22918072 | THREAD_TAKE-UP_LEVER_ASM. | | | | * | | 1 | 1.00 |
| 6 | | 22918403 | | NEEDLE BEARING A | SELECTIVE PARTS | | | * | | 2 | |
| 7 | | 22918502 | | NEEDLE BEARING B | SELECTIVE PARTS | | | * | | 2 | |
| 8 | | 22918601 | | NEEDLE BEARING C | SELECTIVE PARTS | | | * | | 2 | |
| 9 | | 22918700 | | NEEDLE BEARING D | SELECTIVE PARTS | | | * | | 2 | |
| 10 | | 40109126 | | NEEDLE_BAR_CRANK_H | | | | * | | 1 | |
| 11 | | 22906606 | | NEEDLE BAR CRANK ROD | | | | * | | 1 | |
| 12 | R | 22918304 | B1903552000 | LEFT SCREW | | | | * | | 1 | 1.00 |
| 13 | | 40110390 | | COUNTER_WEIGHT_ASM. | | | | | | 1 | |
| 14 | | SS7681650TP | | SCREW 9/32-28 L=16 | | | | * | | 1 | |
| 15 | | 40110376 | | COUNTER_WEIGHT | | | | * | | 1 | |
| 16 | | SS8681650TP | | SCREW 9/32-28 L=16 | | | | * | | 1 | |
| 17 | | SS8660610TP | | SCREW 1/4-40 L=6 | | | | * | | 2 | |
| 18 | | RO044240100 | | RUBBER RING | | | | * | | 1 | |
| 19 | | 22910053 | | FEED DRIVE ECCEN- TRIC CAM ASM. | | | | | | 1 | |
| 20 | | SS6661110SP | | SCREW 1/4-40 L=11 | | | | * | | 2 | |
| 21 | R | 22910004 | 22910053 | FEED DRIVE ECCENTRIC CAM | | | | * | | 1 | 1.00 |
| 22 | | RC1850001KP | | SNAP RING 18.5 | | | | | | 1 | |
| 23 | | 40137502 | | THRUST_COLLAR_ASM | | | | | | 1 | |
| 24 | | SS8660610TP | | SCREW 1/4-40 L=6 | | | | * | | 2 | |
| 25 | | 22903207 | | MAIN SHAFT BUSHING FRONT | | | | | | 1 | |
| 26 | | B1215552000 | | OIL ADJUSTING COLLAR | | | | | | 1 | |
| 27 | | 22903306 | | BUSHING INTERMEDIATE | | | | | | 1 | |
| 28 | | SS4090615SP | | SCREW 9/64-40 L=6 | | | | | | 2 | |
| 29 | | 22919203 | | OIL PROTECTING RUBBER | | | | | | 1 | |
| 30 | | 40126410 | | DRIVING_WHEEL | | | | | | 1 | |
| 31 | | SS8660610TP | | SCREW 1/4-40 L=6 | | | | | | 2 | |
| 32 | | 40111424 | | FILTER | | | | | | 1 | |
| 33 | | SM80608A2TP | | SCREW M6 L=8 | | | | | | 2 | |
| 34 | | 40126307 | | HAND_PULLEY | | | | | | 1 | |
| 35 | | 40126297 | | MAIN_SHAFT_BUSHING | | | | | | 1 | |
| 36 | | 40126300 | | COUPLING_ASSY | | | | | | 1 | |
| 37 | | 40130872 | | AC SERVO MOTOR | | | | | | 1 | |
| 38 | | SL6052592TN | | BOLT | | | | | | 3 | |
| 39 | | SL6051492TN | | BOLT | | | | | | 3 | |
| 40 | | 40130875 | | MOTOR BASE | | | | | | 1 | |
| 41 | | RO029180100 | | RUBBER RING | | | | | | 1 | |
| 42 | | 22910103 | | THRUST COLLAR | | | | | | 1 | |
| 43 | R | B1213552000 | B1213552000A | OIL ADJUSTING PIN | | | | | | 1 | 1.00 |
| 44 | | 40126299 | | MAIN_SHAFT | | | | | | 1 | |
| 45 | | 40139216 | | OIL_SEAL | | | | | | 1 | |

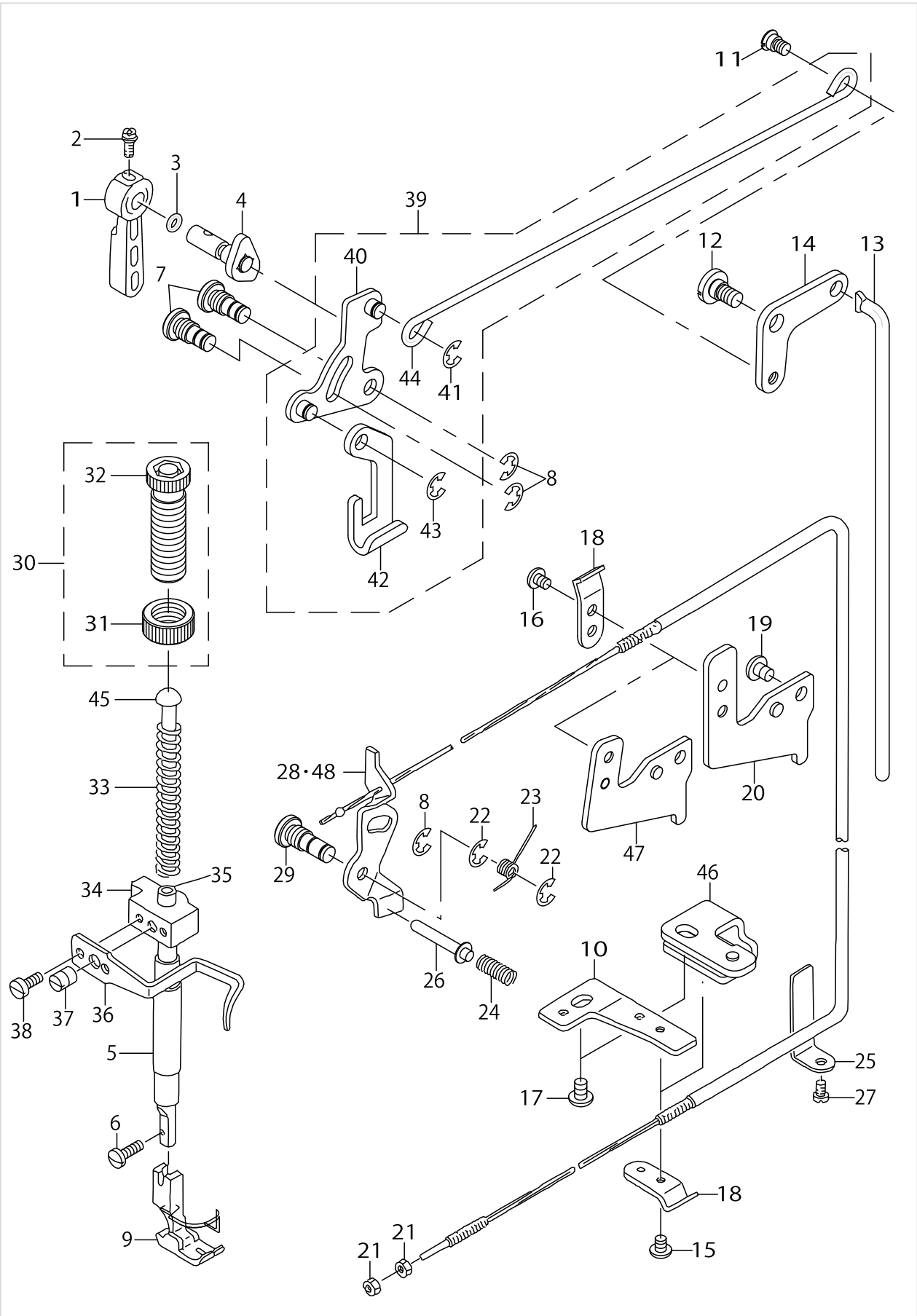
NEEDLE BAR, UPRIGHT SHAFT & HOOK DRIVING SHAFT COMPONENTS



NEEDLE BAR, UPRIGHT SHAFT & HOOK DRIVING SHAFT COMPONENTS

| No. | Supply Code | Parts No. | Replacement | Parts name | Remarks | Choice | Step | Level | Cons | Qty | Rep. QTY |
|-----|-------------|-------------|-------------|-------------------------------------|------------------|--------|------|-------|------|-----|----------|
| 1 | | TA0850604R0 | | RUBBER PLUG | | | | | | 1 | |
| 2 | | 22906101 | | NEEDLE BAR BUSHING UPPER | | | | | | 1 | |
| 3 | | 22939508 | | NEEDLE BAR | | | | | | 1 | |
| 4 | | 22906457 | | NEEDLE BAR HOLDER ASM. | | | | | | 1 | |
| 5 | | SS6090670TP | | SCREW 9/64-40 L=6 | | | | * | | 1 | |
| 6 | | 40090058 | | SLIDE BLOCK | | | | | | 1 | |
| 7 | | 40023223 | | NEEDLE BAR THREAD GUIDE | | | | | | 1 | |
| 8 | | 22970313 | | HOOK DRIVING SH- AFT BUSH FRONT | | | | | | 1 | |
| 9 | | SS7080510TP | | SCREW 1/8-44 L=4.5 | | | | | ☆ | 1 | |
| 10 | | 22970404 | | NEEDLE BAR THREAD HOOK | | | | | | 1 | |
| 11 | | MDB100B1400 | | NEEDLE DBX1 #14 | | | | | ☆ | 1 | |
| 12 | | 22917058 | | THRUST COLLAR ASM. FRONT | | | | | | 1 | |
| 13 | | SS8110410TP | | SCREW 11/64-40 L= 3.5 | | | | * | | 2 | |
| 14 | | 40090002 | | UPPER LARGE BEVEL GEAR ASM. | | | | | | 1 | |
| 15 | | SS8660810TP | | SCREW 1/4-40 L=8 | | | | * | | 2 | |
| 16 | | 40090003 | | UPPER SMALL BEVEL GEAR ASM. | | | | | | 1 | |
| 17 | | SS8660810TP | | SCREW 1/4-40 L=8 | | | | * | | 2 | |
| 18 | | 22932909 | | BOBBIN | | | | | ☆ | 1 | |
| 19 | | 40090004 | | LOWER LARGE BEVEL GEAR ASM. | | | | | | 1 | |
| 20 | | SS8660810TP | | SCREW 1/4-40 L=8 | | | | * | | 2 | |
| 21 | | 40090005 | | LOWER SMALL BEVEL GEAR ASM. | | | | | | 1 | |
| 22 | | SS8660810TP | | SCREW 1/4-40 L=8 | | | | * | | 2 | |
| 23 | | 22905004 | | UPRIGHT SHAFT | | | | | | 1 | |
| 24 | | 11038759 | | BOBBIN CASE ASM. | | | | | ☆ | 1 | |
| 25 | | 22905103 | | UPRIGHT SHAFT BUSHING UPPER | | | | | | 1 | |
| 26 | | 22905202 | | UPRIGHT SHAFT BUSHING LOWER | | | | | | 1 | |
| 27 | | 40137498 | | LOWER_SHAFT_BUSHING_REAR | | | | | | 1 | |
| 28 | | 22942601 | | OIL SHIELD | FOR DDL-8100B-7 | | | | | 1 | |
| 29 | | 40136014 | | THRUST COLLAR ASM. | | | | | | 1 | |
| 30 | | SS6110420TP | | SCREW 11/64-40 L=4.8 | | | | * | | 2 | |
| 31 | | 22916001 | | HOOK DRIVING SHAFT | FOR DDL-8100B-7 | | | | | 1 | |
| 32 | | 22942502 | | INNER HOOK PRESSER | FOR DDL-8100B-7 | | | | | 1 | |
| 33 | | SS4110915TP | | SCREW 11/64-40 L=9 | FOR DDL-8100B-7 | | | | | 1 | |
| 34 | | 40153440 | | HOOK ASM. | | | | | ☆ | 1 | |
| 35 | | 22916100 | | HOOK DRIVING SH- AFT BUSH FRONT | FOR DDL-8100B-7 | | | | | 1 | |
| 36 | | 22916555 | | OILSEALSCREWASM. | | | | | | 1 | |
| 37 | | 11015906 | | OIL WICK | | | | * | | 1 | |
| 38 | | 22916506 | | SET SCREW | | | | * | | 1 | |
| 39 | | SS4120915SP | | SCREW 3/16-28 L=9 | | | | | | 1 | |
| 40 | | 40127192 | | HOOK_DRIVING_SHAFT | FOR DDL-8100B-7R | | | | | 1 | |
| 41 | | 22916407 | | BOBBIN CASE POSI- TIONING FINGER | FOR DDL-8100B-7R | | | | | 1 | |
| 42 | | SS6111210SP | | SCREW11/64-40L=12 | FOR DDL-8100B-7R | | | | | 1 | |
| 43 | | 40127177 | | HOOK_DRIVING_SHAFT_F | FOR DDL-8100B-7R | | | | | 1 | |
| 44 | | 40127191 | | HOOK_DRIVING_SHAFT_M | FOR DDL-8100B-7R | | | | | 1 | |

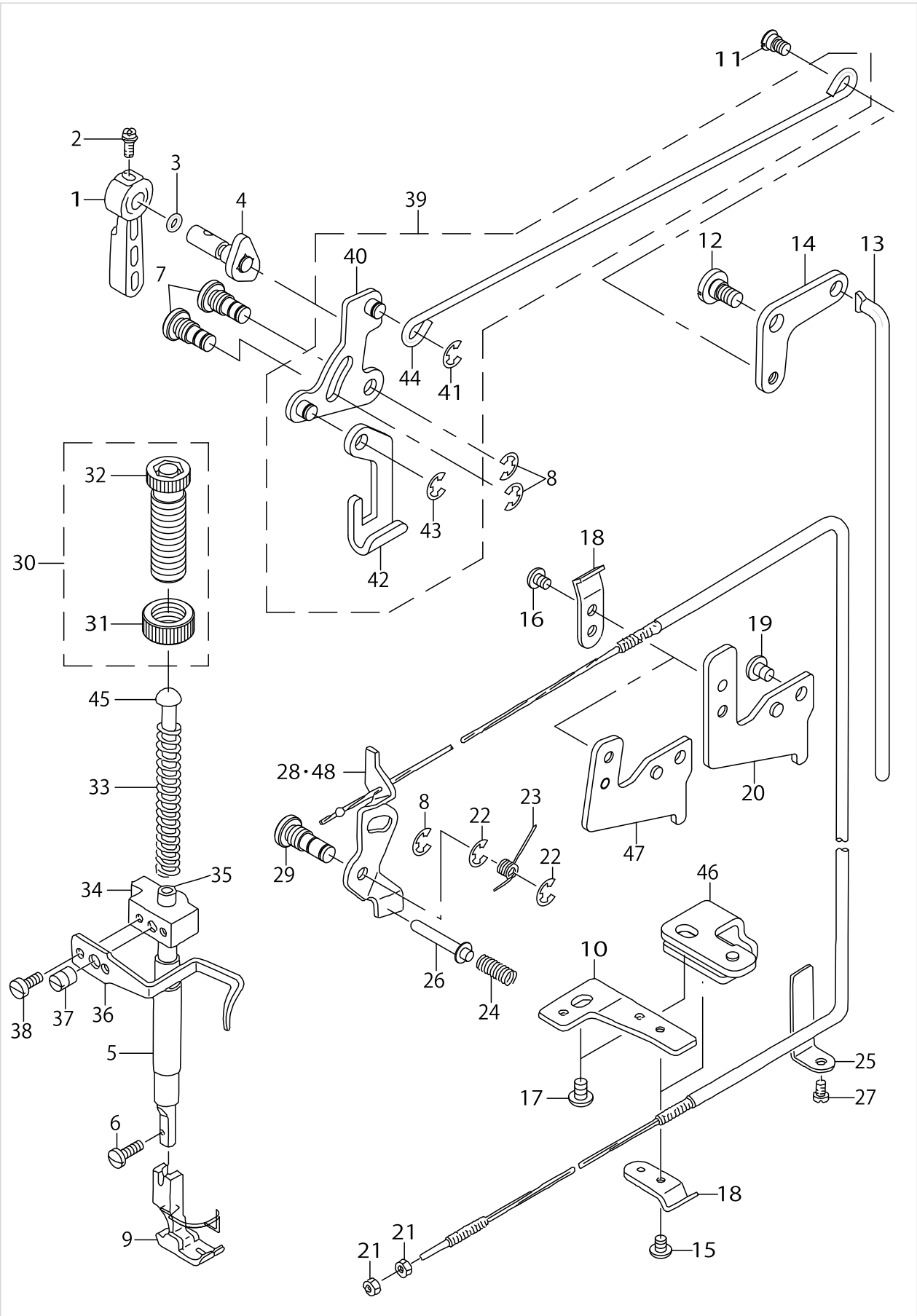
HAND LIFTER COMPONENTS



HAND LIFTER COMPONENTS

| No. | Supply Code | Parts No. | Replacement | Parts name | Remarks | Choice | Step | Level | Cons | Qty | Rep. QTY |
|-----|-------------|-------------|-------------|---------------------------------|-----------------|--------|--|-------|------|-----|----------|
| 1 | | 22907802 | | HAND LIFTER | | | | | | 1 | |
| 2 | | B1521555000 | | SCREW | | | | | | 1 | |
| 3 | | RO037180100 | | RUBBER RING | | | | | | 1 | |
| 4 | | 22908552 | | HAND LIFTER CAM ASM. | | | | | | 1 | |
| 5 | | 40060989 | | PRESSER BAR BUSHING LOWER | | | | | | 1 | |
| 6 | | SS7091110TP | | SCREW 9/64-40 L=10.5 | | | | | ☆ | 1 | |
| 7 | | 22908701 | | LINK SHAFT | | | | | | 2 | |
| 8 | | RE0500000K0 | | E-RING | | | | | | 3 | |
| 9 | | B15240120BA | | PRESSER FOOT ASM. | | | | | | 1 | |
| 10 | | 22944706 | | WIRE PRESSER BASE LOWER | FOR DDL-8100B-7 | | | | | 1 | |
| 11 | | 22908909 | | HINGE SCREW | | | | | | 1 | |
| 12 | | SD0720331SP | | HINGE SCREW D=7.24 H=3.3 | | | | | | 1 | |
| 13 | | 22909006 | | KNEE LIFTER CONNECTING ROD | | | | | | 1 | |
| 14 | | 22908800 | | KNEE LIFTER LINK | | | | | | 1 | |
| 15 | | SS4110515SP | | SCREW 11/64-40 L=5 | | | | | | 1 | |
| 16 | | SS4110515SP | | SCREW 11/64-40 L=5 | | | | | | 1 | |
| 17 | | SS4150915SP | | SCREW 15/64-28 L=9 | | | | | | 1 | |
| 18 | | 22944508 | | WIRE PRESSER A | | | | | | 2 | |
| 19 | | SS4120615SP | | SCREW 3/16-28 L=6 | | | | | | 1 | |
| 20 | | 22944607 | | WIRE PRESSER BASE UPPER | FOR DDL-8100B-7 | | | | | 1 | |
| 21 | | NS6620310SP | | NUT 3/16-32 | | | | | | 2 | |
| 22 | | RE0500000K0 | | E-RING | | | | | | 2 | |
| 23 | | 22920201 | | RETURN SPRING | | | | | | 1 | |
| 24 | | 22920409 | | THREAD RELEASE PIN SPRING | | | | | | 1 | |
| 25 | | 22945109 | | WIRE CABLE SUPPORT | FOR DDL-8100B-7 | | | | | 1 | |
| 26 | | 22920300 | | THREAD RELEASE SUPPORTING PIN | | | | | | 1 | |
| 27 | | SS4120615SP | | SCREW 3/16-28 L=6 | FOR DDL-8100B-7 | | | | | 1 | |
| 28 | | 22944854 | | THREAD RELEASE WIRE ASM. | FOR DDL-8100B-7 | | | | | 1 | |
| 29 | | 22920102 | | TENSION RELEASE SHAFT | | | | | | 1 | |
| 30 | | 22907554 | | PRESSER SPRING REGULATOR ASM.¥n | | | | | | 1 | |
| 31 | R | 22907604 | 22907554 | PRESSER SPRING REGULATOR NUT | | | | | * | 1 | 1.00 |
| 32 | R | 22907505 | 22907554 | PRESSER SPRING REGULATOR | | | | | * | 1 | 1.00 |
| 33 | | 22907406 | | PRESSER SPRING | | | | | | 1 | |
| 34 | | 40098388 | | PRESSER BAR GUIDE BRACKET | | | | | | 1 | |
| 35 | | 40017805 | | PRESSER BAR | | | | | | 1 | |
| 36 | | 22907307 | | THREAD GUIDE | | | | | | 1 | |
| 37 | | SS8660810TP | | SCREW 1/4-40 L=8 | | | | | | 1 | |
| 38 | | SS6090910SP | | SCREW 9/64-40 L=9 | | | | | | 2 | |
| 39 | | 22908354 | | KNEE LIFTING CROSS ROD ASM. | | | | | | 1 | |
| 40 | R | 22908156 | 22908354 | LIFTING LINK ASM. | | | | | * | 1 | 1.00 |
| 41 | | RE0500000K0 | | E-RING | | | | | * | 1 | |
| 42 | R | 22908008 | 22908354 | LIFTING PLATE | | A | DDL-5550 5550N 555- 0N-7 5556- N-7 5600NL-7 | | * | 1 | 1.00 |
| 42 | R | 22908008 | 23609357 | LIFTING PLATE | | B | DDL-9000A 9000B | | * | 1 | 1.00 |
| 42 | R | 22908008 | 40057398 | LIFTING PLATE | | C | LH-3500 | | * | 1 | 1.00 |

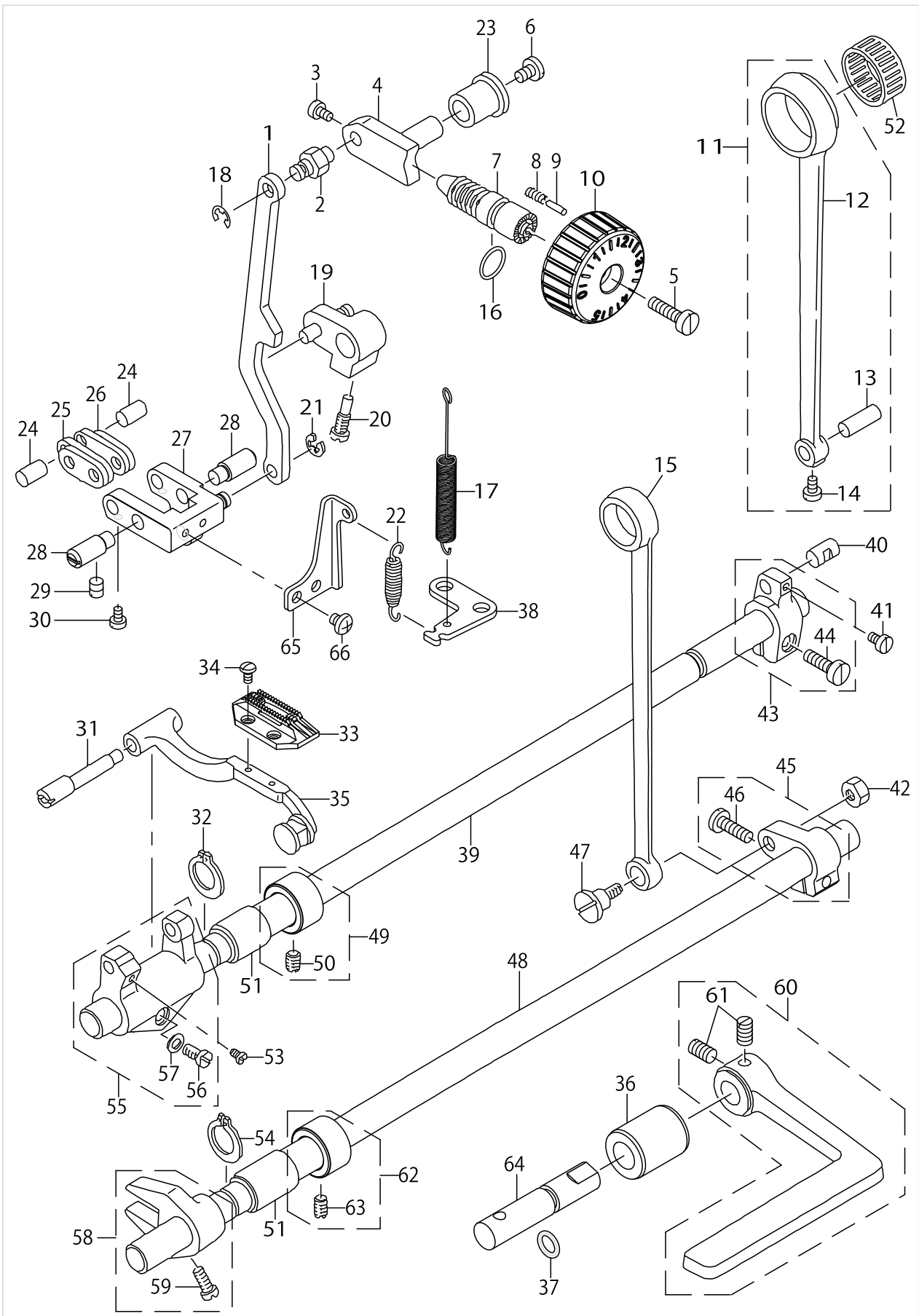
HAND LIFTER COMPONENTS



HAND LIFTER COMPONENTS

| No. | Supply Code | Parts No. | Replacement | Parts name | Remarks | Choice | Step | Level | Cons | Qty | Rep. QTY |
|-----|-------------|-------------|-------------|--------------------------|------------------|--------|-----------|-------|------|-----|----------|
| 42 | R | 22908008 | 40174387 | LIFTING PLATE | | D | DDL-9000C | * | | 1 | 1.00 |
| 43 | | RE0500000K0 | | E-RING | | | | * | | 1 | |
| 44 | | 22908305 | | KNEE LIFTER SIDE ROD | | | | * | | 1 | |
| 45 | | 22907703 | | PRESSER GUIDE BAR | | | | | | 1 | |
| 46 | | 40127189 | | WIRE_PRESSER_SUPPORT | FOR DDL-8100B-7R | | | | | 1 | |
| 47 | | 40132067 | | WIRE_PRESSER_BASE | FOR DDL-8100B-7R | | | | | 1 | |
| 48 | | 40132068 | | THREAD_RELEASE_WIRE_ASM. | FOR DDL-8100B-7R | | | | | 1 | |

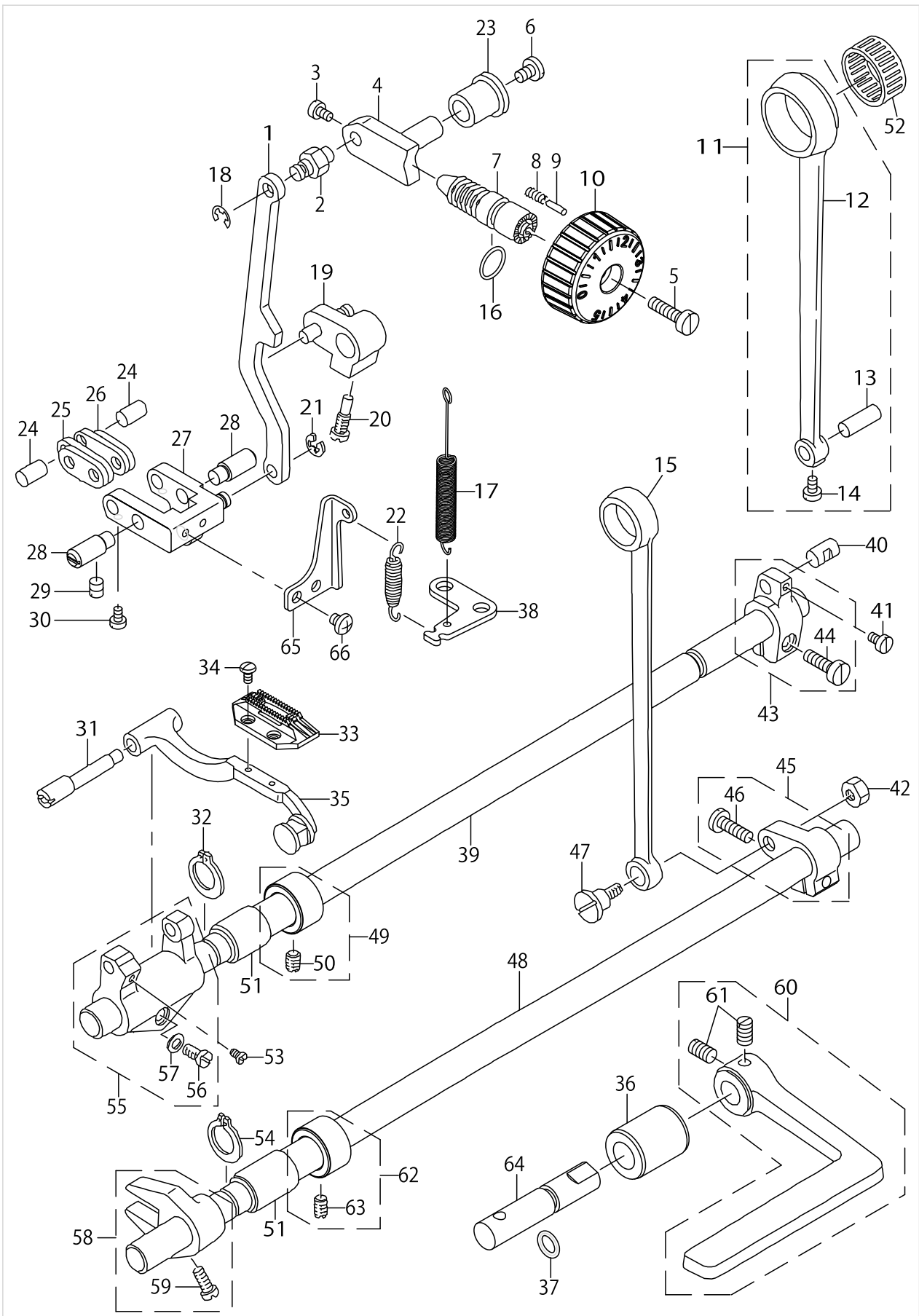
FEED MECHANISM COMPONENTS



FEED MECHANISM COMPONENTS

| No. | Supply Code | Parts No. | Replacement | Parts name | Remarks | Choice | Step | Level | Cons | Qty | Rep. QTY |
|-----|-------------|-------------|-------------|----------------------------------|---------|--------|------|-------|------|-----|----------|
| 1 | | 22941108 | | FEED ADJUST ROD | | | | | | 1 | |
| 2 | | 22911507 | | WALKING FOOT PIN C | | | | | | 1 | |
| 3 | | SS6090670TP | | SCREW 9/64-40 L=6 | | | | | | 2 | |
| 4 | | 22911606 | | FEED REGULATOR | | | | | | 1 | |
| 5 | | SS6121860SP | | SCREW 3/16-28 L=18 | | | | | | 1 | |
| 6 | | SS7120770SH | | SCREW 3/16-28 L=7 | | | | | | 1 | |
| 7 | | 22911804 | | FEED REGULATOR SCREW | | | | | | 1 | |
| 8 | | 22912109 | | FEED REGULATOR PIN SPRING | | | | | | 1 | |
| 9 | | 22912000 | | FEED REGULATOR PIN | | | | | | 1 | |
| 10 | | 40101726 | | FEED_DIAL | | | | | | 1 | |
| 11 | | 22910251 | | CONNECTING ROD ASM. | | | | | | 1 | |
| 12 | R | 22910202 | 22910251 | ROCKER SHAFT CO- NNECTING ROD | | | | * | | 1 | 1.00 |
| 13 | | 22911101 | | WALKING FOOT PIN C | | | | * | | 1 | |
| 14 | | SS6090620TP | | SCREW | | | | * | | 1 | |
| 15 | | 22915003 | | CONNECTING ROD | | | | | | 1 | |
| 16 | | RO092270200 | | RUBBER RING | | | | | | 1 | |
| 17 | | 11010311 | | LEVER SPRING¥n | | | | | | 1 | |
| 18 | | RE0500000K0 | | E-RING | | | | | | 1 | |
| 19 | | 22912257 | | FEED REVERSE ARM ASM. | | | | | | 1 | |
| 20 | | 22912505 | | FEED REVERSE ARM SCREW | | | | | | 1 | |
| 21 | | RE0500000K0 | | E-RING | | | | | | 1 | |
| 22 | | 11037405 | | SPRING | | | | | | 1 | |
| 23 | | 11009800 | | FEED REGULATOR BUSHING | | | | | | 1 | |
| 24 | | 22910905 | | WALKING FOOT PIN A | | | | | | 2 | |
| 25 | | 40089548 | | CONNECTING LINK B | | | | | | 2 | |
| 26 | | 40093417 | | CONNECTING LINK A | | | | | | 2 | |
| 27 | | 22940951 | | FEED ADJUST LINK ASM. | | | | | | 1 | |
| 28 | | 22910806 | | ADJUST LINK FULCRUM SHAFT A | | | | | | 2 | |
| 29 | | SS6151220SP | | SCREW 15/64-28 L=11.5 | | | | | | 2 | |
| 30 | | SS6090620TP | | SCREW | | | | | | 2 | |
| 31 | | 22940803 | | FEED BAR SHAFT | | | | | | 1 | |
| 32 | | RC0150001KP | | RETAINING RING 13.8 | | | | | | 1 | |
| 33 | | 40133950 | | FEED DOG M | | | | | | 1 | |
| 34 | | SS4080620TP | | SCREW 1/8-44 L=6 | | | | | | 2 | |
| 35 | | 22940753 | | FEED BAR ASM. | | | | | | 1 | |
| 36 | | 22912802 | | FEED LEVER SHAFT BUSHING | | | | | | 1 | |
| 37 | | RO078190100 | | RUBBER RING | | | | | | 1 | |
| 38 | | 22913701 | | FEED SPRING HOOK | | | | | | 1 | |
| 39 | | 40133779 | | FEEDROCKERSHAFT | | | | | | 1 | |
| 40 | | 22911002 | | WALKING FOOT PIN B | | | | | | 1 | |
| 41 | | SS6090620TP | | SCREW | | | | | | 1 | |
| 42 | | NS6680410SP | | NUT 9/32-28 | | | | | | 1 | |
| 43 | | 40110379 | | ASSY_FEED_ROCKER_ARM | | | | | | 1 | |
| 44 | | SS6121610SP | | SCREW 3/16-28 L=15.5 | | | | * | | 1 | |
| 45 | | 40109422 | | FEED_ARM_ASM | | | | | | 1 | |
| 46 | | SS6121210SP | | SCREW 3/16-28 L=12 | | | | * | | 1 | |

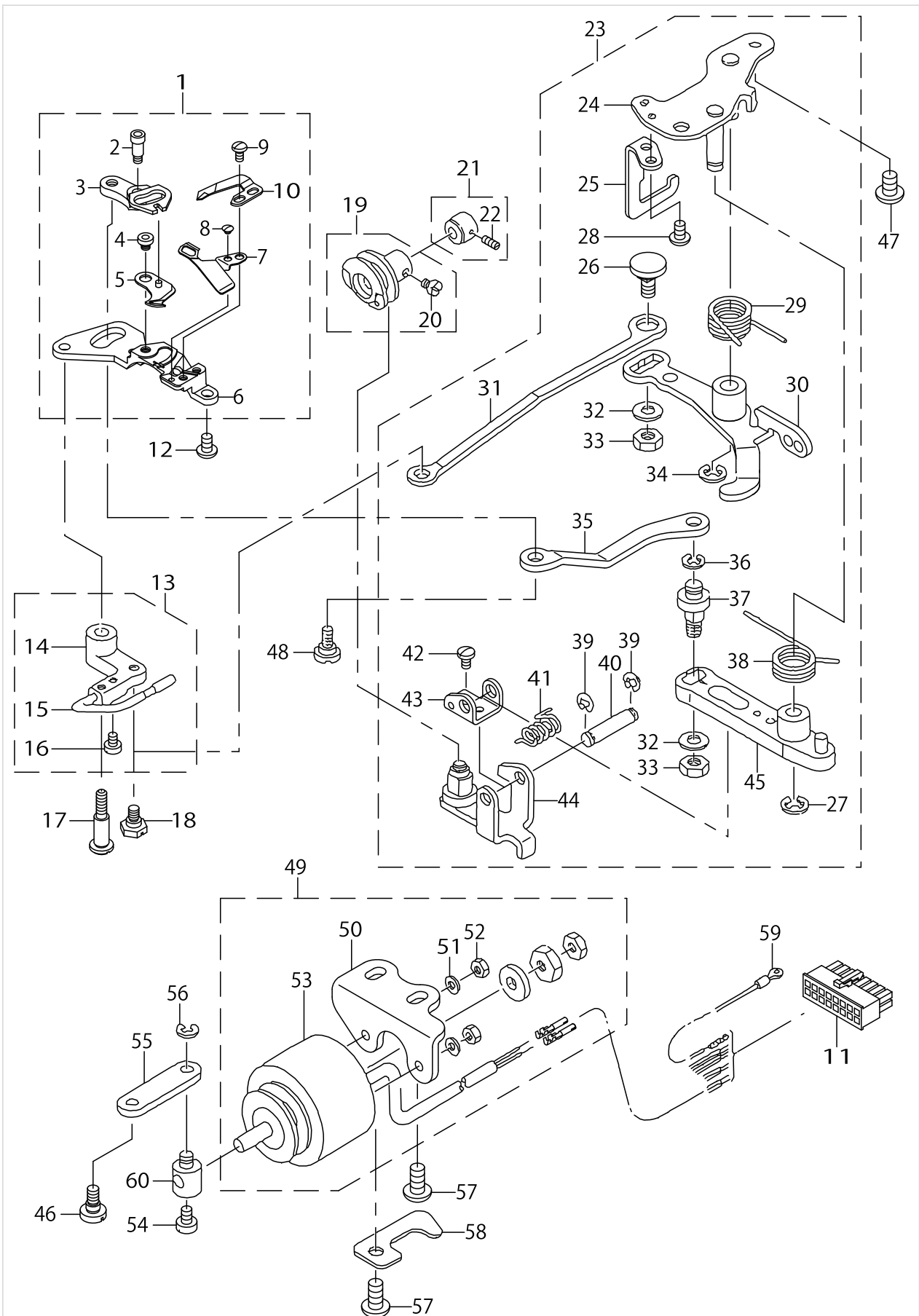
FEED MECHANISM COMPONENTS



FEED MECHANISM COMPONENTS

| No. | Supply Code | Parts No. | Replacement | Parts name | Remarks | Choice | Step | Level | Cons | Qty | Rep. QTY |
|-----|-------------|-------------|-------------|----------------------------|---------|--------|------|-------|------|-----|----------|
| 47 | | SD1000801SH | | HINGE SCREW D=10 H=8 | | | | | | 1 | |
| 48 | | 22915201 | | FEED DRIVING SHAFT | | | | | | 1 | |
| 49 | | 40137504 | | THRUST_COLLAR_ASM | | | | | | 1 | |
| 50 | | SS8660610TP | | SCREW 1/4-40 L=6 | | | | * | | 2 | |
| 51 | | 22913008 | | FEED ROCKER SHAFT BUSHING | | | | | | 2 | |
| 52 | | 40111897 | | BEARING | | | | | | 1 | |
| 53 | | SS7110740TP | | SCREW 11/64-40 L=7 | | | | | | 1 | |
| 54 | | RC0150001KP | | RETAINING RING 13.8 | | | | | | 1 | |
| 55 | | 22940654 | | FEED ROCKER ASM. | | | | | | 1 | |
| 56 | | SS7121410TP | | SCREW 3/16-28 L=14 | | | | * | | 1 | |
| 57 | | WP0480856SP | | WASHER 4.8X8.4X0.8 | | | | * | | 1 | |
| 58 | | 22915359 | | DRIVING SHAFT CRANK ASM. | | | | | | 1 | |
| 59 | R | SS7111120SP | SS7111120TP | SCREW 11/64-40 L=10.5 | | | | * | | 1 | 1.00 |
| 60 | | 40102264 | | FEED_REVER_ASM. | | | | | | 1 | |
| 61 | | SM8061010TP | | SCREW | | | | * | | 2 | |
| 62 | | 40137504 | | THRUST_COLLAR_ASM | | | | | | 1 | |
| 63 | | SS8660610TP | | SCREW 1/4-40 L=6 | | | | * | | 2 | |
| 64 | | 40100812 | | FEED LEVER SHAFT | | | | | | 1 | |
| 65 | | 22941306 | | REGULATOR LINK SPRING HOOK | | | | | | 1 | |
| 66 | | SS4110515SP | | SCREW 11/64-40 L=5 | | | | | | 2 | |

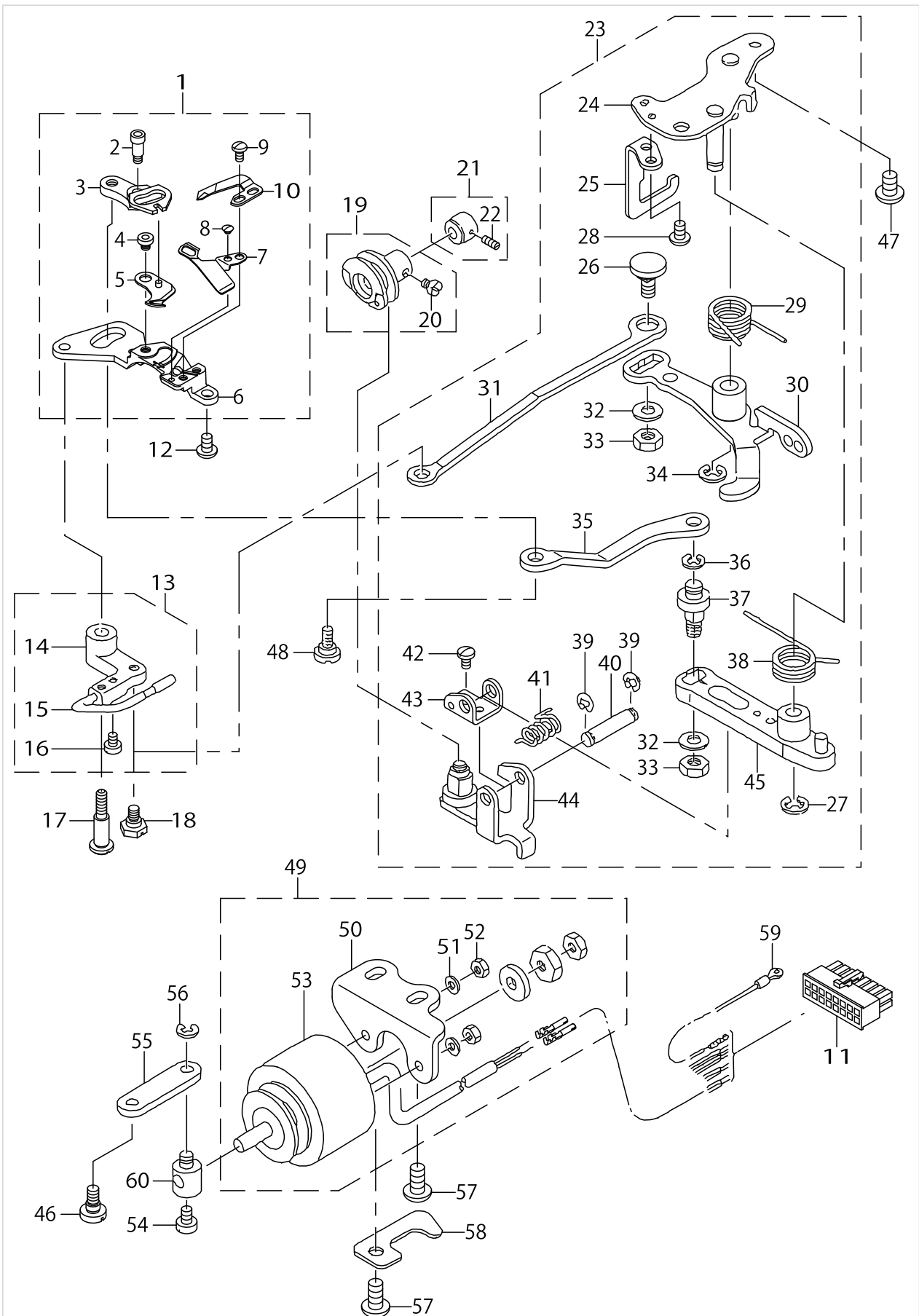
THREAD TRIMMER COMPONENTS (FOR DDL-8100B-7)



THREAD TRIMMER COMPONENTS (FOR DDL-8100B-7)

| No. | Supply Code | Parts No. | Replacement | Parts name | Remarks | Choice | Step | Level | Cons | Qty | Rep. QTY |
|-----|-------------|-------------|-------------|-----------------------------|---------|--------|-------------------------------|-------|------|-----|----------|
| 1 | | 40130579 | | KNIFE UNIT | | | | | | 1 | |
| 2 | | SD0460703TP | | HINGE SCREW D=4.6 H=7 | | | | * | | 1 | |
| 3 | | 22948202 | | FORKED BASE FOR KNIFE | | | | * | | 1 | |
| 4 | | 11040409 | | MOVING KNIFE HINGE SCREW | | | | * | | 1 | |
| 5 | | 11040052 | | MOVING KNIFE ASM. | | | | * | ☆ | 1 | |
| 6 | R | 40130580 | 40143120 | KNIFE INSTALLING BASE | | A | DDL-8700- BH-7,DDL8700NJ-7 | * | | 1 | 1.00 |
| 6 | R | 40130580 | 22947956 | KNIFE INSTALLING BASE | | B | Other | * | | 1 | 1.00 |
| 6 | R | 40130580 | 22947907 | KNIFE INSTALLING BASE | | C | DDL-8700B7 H | * | | 1 | 1.00 |
| 7 | | 22947808 | | THREAD GUIDE FOR KNIFE | | | | * | ☆ | 1 | |
| 8 | | SS2060210SP | | SCREW 3/32-56 L=2.3 | | | | * | | 1 | |
| 9 | | SS4080620TP | | SCREW 1/8-44 L=6 | | | | * | | 2 | |
| 10 | | D2406555D0H | | COUNTER KNIFE | | | | * | ☆ | 1 | |
| 11 | | HK034610140 | | HOUSING 14P | | | | | | 1 | |
| 12 | | SS4110715SP | | SCREW 11/64-40 L=7 | | | | * | | 1 | |
| 13 | | 22950257 | | PICKER ARM ASM. | | | | | | 1 | |
| 14 | | 22950208 | | PICKER ARM | | | | * | | 1 | |
| 15 | | 22950356 | | HOOK THREAD PRESSER ASM. | | | | * | ☆ | 1 | |
| 16 | | SS6090510TP | | SCREW 9/64-40 L= 5.0 | | | | * | | 2 | |
| 17 | | SD0641451SP | | HINGE SCREW D= 6.35 H=14.5 | | | | | | 1 | |
| 18 | | SD0630275SP | | HINGE SCREW D= 6.35 H= 2.7 | | | | | | 1 | |
| 19 | | 22950851 | | THREAD TRIMMER CAM ASM.φn | | | | | | 1 | |
| 20 | | SS6660610TP | | SCREW 1/4-40 L=6 | | | | * | | 2 | |
| 21 | | 22950950 | | CAM COLLAR ASM. | | | | | | 1 | |
| 22 | | SS8110520TP | | SCREW 11/64-40 L= 4.5 | | | | * | | 1 | |
| 23 | | 22949762 | | THREAD TRIMMER DRIVING UNIT | | | | | | 1 | |
| 24 | | 22949754 | | BASE PLATE ASM. | | | | * | | 1 | |
| 25 | | 22950703 | | DRIVING ARM STOPPER | | | | * | | 1 | |
| 26 | | 22950000 | | PICKER LINK PIN | | | | * | | 1 | |
| 27 | | RE0600000K0 | | E-RING 6 | | | | * | | 1 | |
| 28 | | SS4110715SP | | SCREW 11/64-40 L=7 | | | | * | | 2 | |
| 29 | | 22949408 | | CLUTCH SPRING | | | | * | | 1 | |
| 30 | | 40087245 | | CLUTCH PLATE ASM. | | | | * | | 1 | |
| 31 | | 22950109 | | PICKER LINK | | | | * | | 1 | |
| 32 | | WP0621016SH | | WASHER | | | | * | | 2 | |
| 33 | | NS6150430SP | | NUT 15/64-28 | | | | * | | 2 | |
| 34 | | RE0600000K0 | | E-RING 6 | | | | * | | 1 | |
| 35 | | 22948301 | | MOVING KNIFE LINK | | | | * | | 1 | |
| 36 | | RE0500000K0 | | E-RING | | | | * | | 1 | |
| 37 | | 22948400 | | MOVING KNIFE LINK PIN | | | | * | | 1 | |
| 38 | | 22949309 | | KNIFE RETURN SPRING B | | | | * | | 1 | |
| 39 | | RE0400000K0 | | E-RING 4 | | | | * | | 2 | |
| 40 | | 22949101 | | ROLLER FULCRUM SHAFT | | | | * | | 1 | |
| 41 | | 22949200 | | ROLLER RETURN SPRING | | | | * | | 1 | |
| 42 | | SS7090610SP | | SCREW 9/64-40 L=6 | | | | * | | 1 | |
| 43 | | 22949002 | | ROLLER ARM SEAT | | | | * | | 1 | |
| 44 | | 11040953 | | ROLLER ARM ASM. | | | | * | | 1 | |

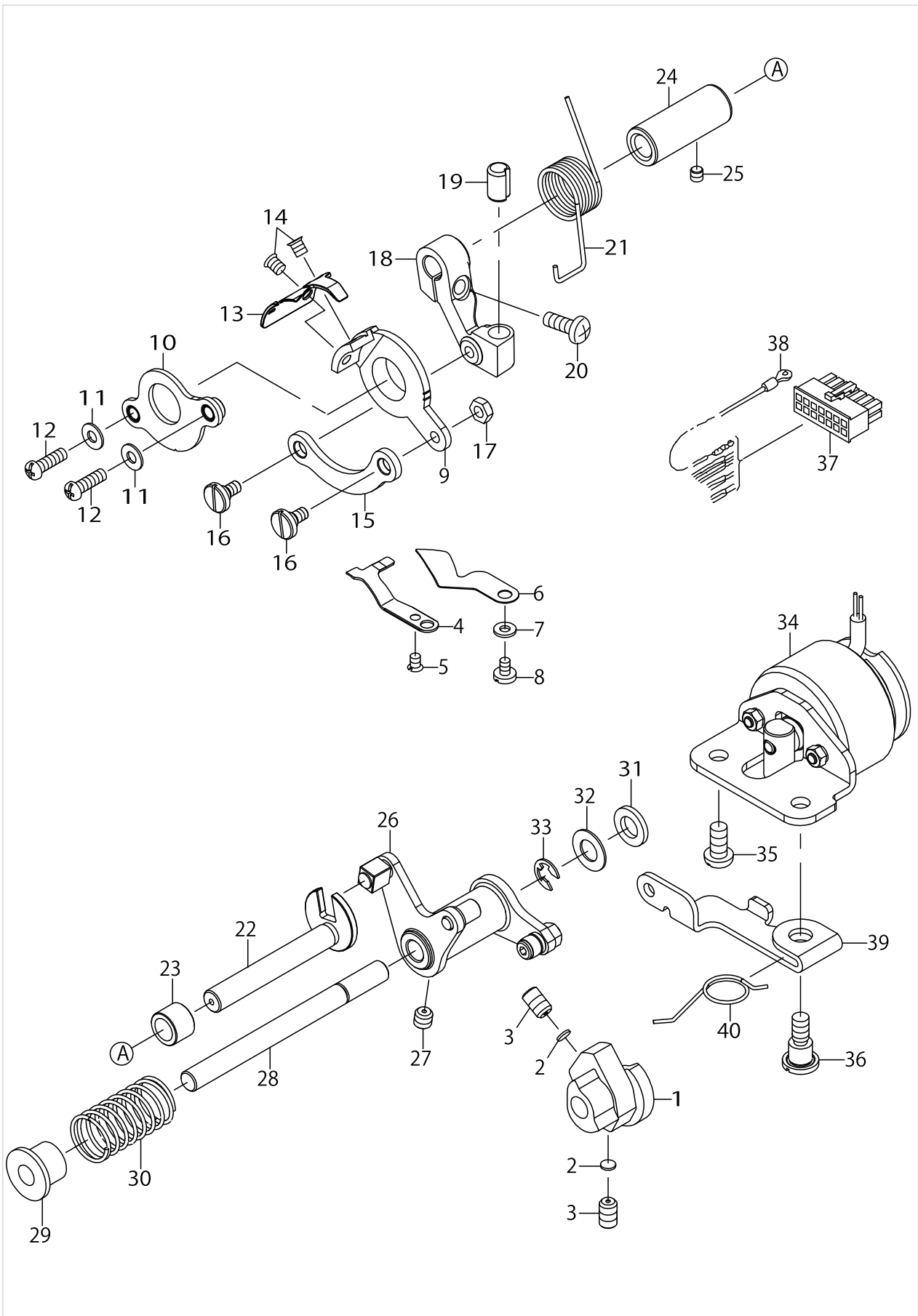
THREAD TRIMMER COMPONENTS (FOR DDL-8100B-7)



THREAD TRIMMER COMPONENTS (FOR DDL-8100B-7)

| No. | Supply Code | Parts No. | Replacement | Parts name | Remarks | Choice | Step | Level | Cons | Qty | Rep. QTY |
|-----|-------------|-------------|-------------|------------------------------|---------|--------|------|-------|------|-----|----------|
| 45 | R | 11040854 | 22948558 | KNIFE DRIVING ARM ASM. | | | | * | | 1 | 1.00 |
| 46 | | SD0600361SP | | HINGE SCREW D=6 H=3.6 | | | | | | 1 | |
| 47 | | SS4150915SP | | SCREW 15/64-28 L=9 | | | | | | 2 | |
| 48 | | SD0640631TP | | HINGE SCREW D=6.35 H=6.3 | | | | | | 1 | |
| 49 | | 40111031 | | THREAD TRIMMER SOLENOID ASM. | | | | | | 1 | |
| 50 | | 22951404 | | SOLENOID BASE | | | | * | | 1 | |
| 51 | | WS0410002KR | | SPRING WASHER M4 | | | | * | | 2 | |
| 52 | | NM6040001SE | | NUT M4 | | | | * | | 2 | |
| 53 | | 40110995 | | THREAD TRIMMER SOLENOID | | | | * | | 1 | |
| 54 | | SS6110710TP | | SCREW 11/64-40 L=6.5 | | | | | | 1 | |
| 55 | | 22949903 | | CLUTCH LINK | | | | | | 1 | |
| 56 | | RE0500000K0 | | E-RING | | | | | | 1 | |
| 57 | | SS4151215SP | | SCREW 15/64-28 L=12 | | | | | | 2 | |
| 58 | | 22924807 | | PIPE HOLDER LOWER | | | | | | 1 | |
| 59 | | 40112907 | | GROUND WIRE ASM. | | | | | | 1 | |
| 60 | | 22951008 | | SOLENOID PIN | | | | | | 1 | |

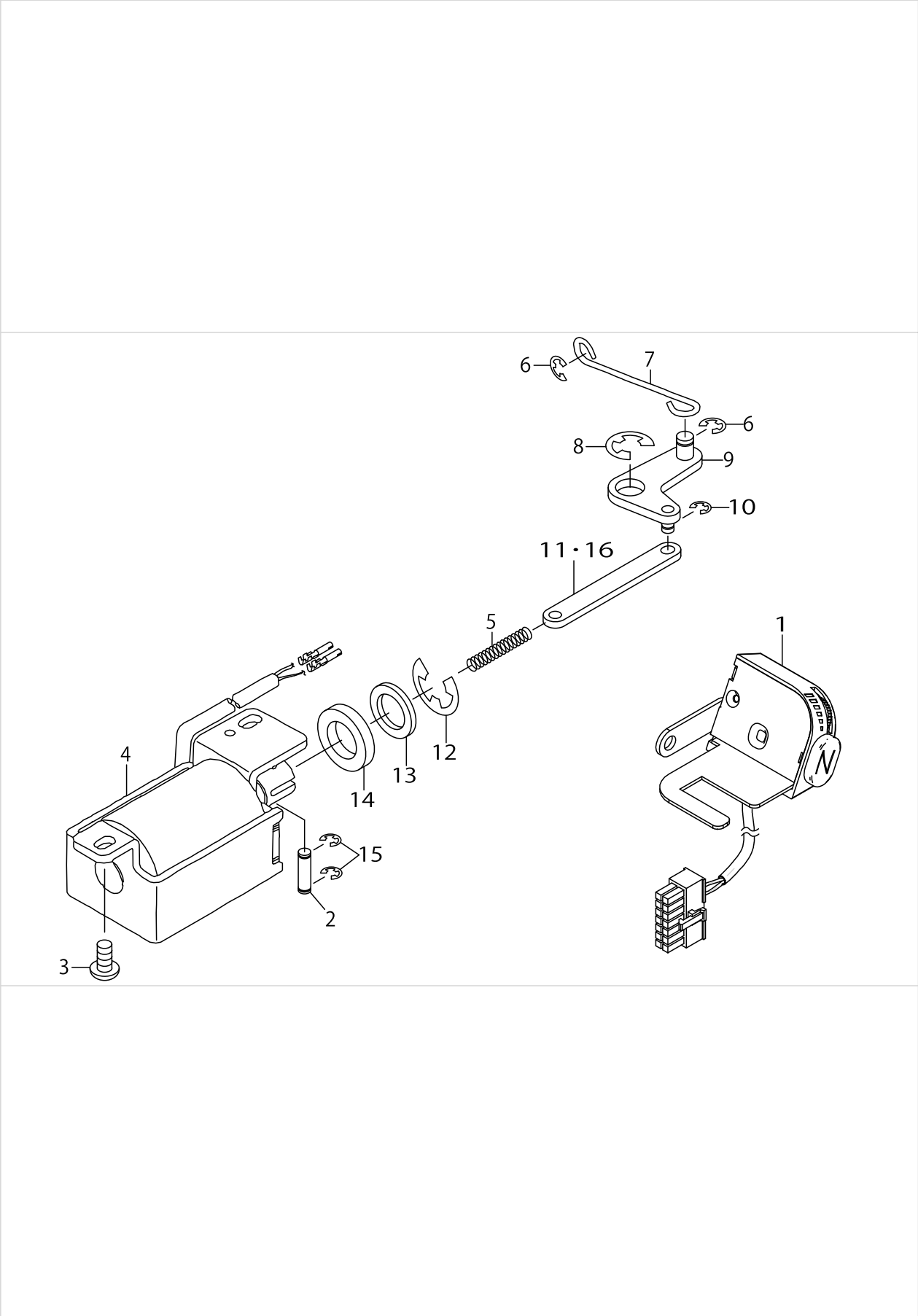
THREAD TRIMMER COMPONENTS (FOR DDL-8100B-7R)



THREAD TRIMMER COMPONENTS (FOR DDL-8100B-7R)

| No. | Supply Code | Parts No. | Replacement | Parts name | Remarks | Choice | Step | Level | Cons | Qty | Rep. QTY |
|-----|-------------|-------------|-------------|-------------------------------|---------|--------|------|-------|------|-----|----------|
| 1 | | 40127152 | | THREAD_TRIMMER_CAM | | | | | | 1 | |
| 2 | | 40127153 | | SPACER | | | | | | 2 | |
| 3 | | SS8661012TP | | SCREW | | | | | | 2 | |
| 4 | | 40127154 | | COUNTER_KNIFE | | | | | ☆ | 1 | |
| 5 | | SS1090520TP | | SCREW 9/64-40 L=5 | | | | | | 1 | |
| 6 | | 40127155 | | LOWER_THREAD_FINGER | | | | | ☆ | 1 | |
| 7 | | WP0371016SD | | WASHER 3.7X8X1 | | | | | | 1 | |
| 8 | | SS7090610SP | | SCREW 9/64-40 L=6 | | | | | | 1 | |
| 9 | | 40127156 | | MOVING_KNIFE HOLDER | | | | | | 1 | |
| 10 | | 40127157 | | KNIFE HOLDER_PRESSER_ASSY | | | | | | 1 | |
| 11 | | WP0450826SC | | WASHER 4.5X10X0.8 | | | | | | 2 | |
| 12 | | SS4111415SP | | SCREW 11/64-40 L=14 | | | | | | 2 | |
| 13 | | 40127160 | | MOVING_KNIFE | | | | | ☆ | 1 | |
| 14 | | 11351806 | | SCREW | | | | | | 2 | |
| 15 | | 40127161 | | THREAD_TRIMMER-CONNECTING_ROD | | | | | | 1 | |
| 16 | | SD0600291TP | | HINGE SCKEW D=6 H=2.9 | | | | | | 2 | |
| 17 | | NS6110350SP | | NUT 11/64-40 | | | | | | 1 | |
| 18 | | 40127162 | | THREAD_TRIMMER_LEVER | | | | | | 1 | |
| 19 | | 40127163 | | LEVER_STOPPER | | | | | ☆ | 1 | |
| 20 | | SS4121415SP | | SCREW 3/16-28 L=14 | | | | | | 1 | |
| 21 | | 40127164 | | SPRING | | | | | | 1 | |
| 22 | | 40127165 | | FORKED_SHAFT | | | | | | 1 | |
| 23 | | 40127166 | | COLLAR | | | | | | 1 | |
| 24 | | 40127167 | | FORKED_SHAFT_BUSH | | | | | | 1 | |
| 25 | | SS8110422TP | | SCREW 11/64-40 L=4 | | | | | | 1 | |
| 26 | | 40127168 | | THREAD_TRIMMER-CAM_LEVER_ASSY | | | | | | 1 | |
| 27 | | SS8660612TP | | SCREW 1/4-40 L=6 | | | | | | 1 | |
| 28 | | 40127180 | | THREAD_TRIMMER-CAMLEVER_SHAFT | | | | | | 1 | |
| 29 | | 40127181 | | COLLAR | | | | | | 1 | |
| 30 | | 40127182 | | SPRING | | | | | | 1 | |
| 31 | | 40127183 | | CUSHION | | | | | | 1 | |
| 32 | | WP0820816SD | | WASHER 8.2X16X0.8 | | | | | | 1 | |
| 33 | | RE0600000K0 | | E-RING 6 | | | | | | 1 | |
| 34 | | 40132143 | | THREAD_TRIMMER_SOLENOID_ASM | | | | | | 1 | |
| 35 | | SS4151215SP | | SCREW 15/64-28 L=12 | | | | | | 1 | |
| 36 | | SD0850751SP | | HINGE SCREW D= 8.50 H=7.5 | | | | | | 1 | |
| 37 | | HK034610140 | | HOUSING 14P | | | | | | 1 | |
| 38 | | 40112907 | | GROUND WIRE ASM | | | | | | 1 | |
| 39 | | 40127188 | | THREAD_RELEASE_LEVER | | | | | | 1 | |
| 40 | | 40127190 | | RETURN_SPRING | | | | | | 1 | |

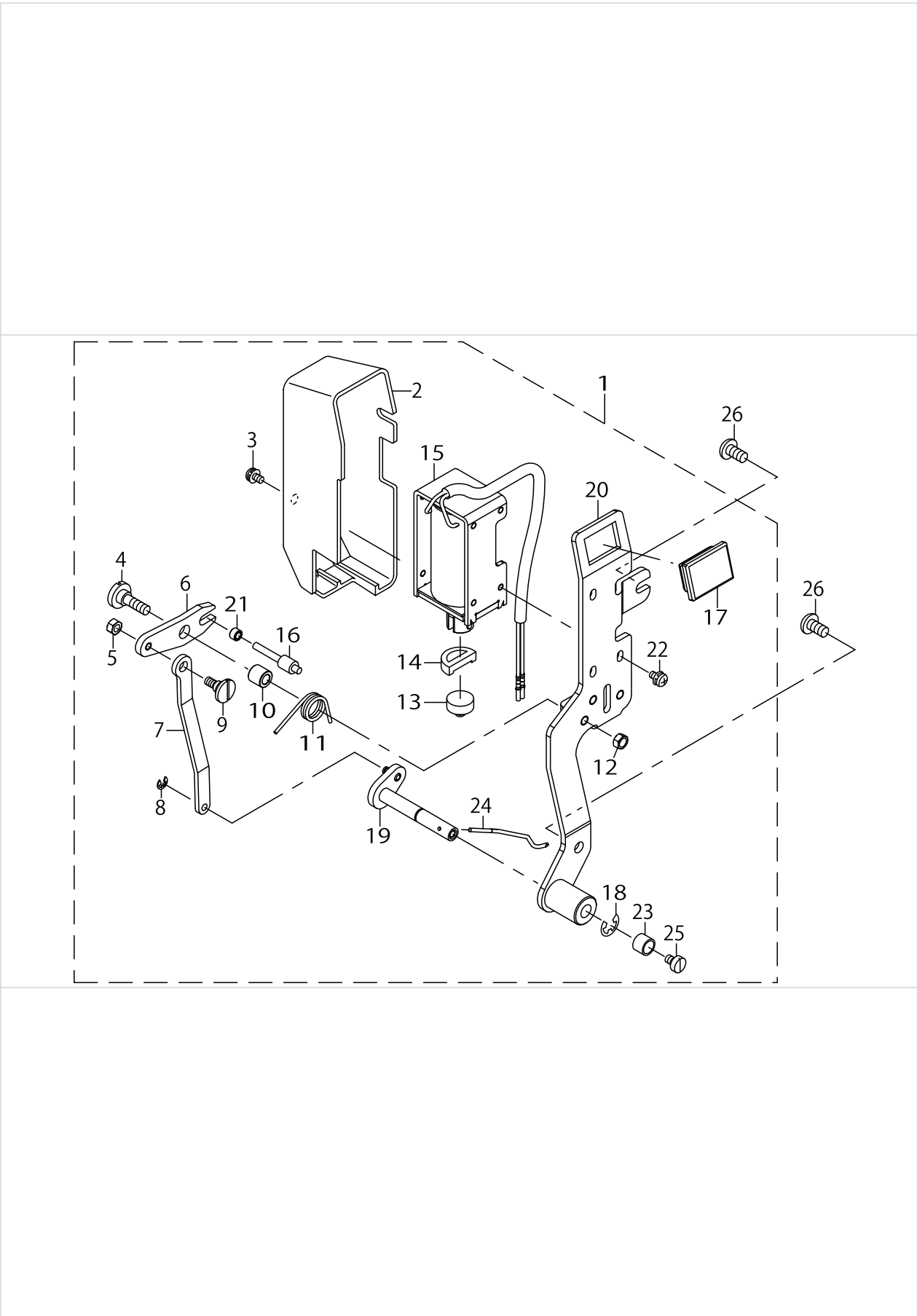
AUTOMATIC REVERSE FEED COMPONENTS



AUTOMATIC REVERSE FEED COMPONENTS

| No. | Supply Code | Parts No. | Replacement | Parts name | Remarks | Choice | Step | Level | Cons | Qty | Rep. QTY |
|-----|-------------|-------------|-------------|-----------------------------------|------------------|--------|------|-------|------|-----|----------|
| 1 | | 40130874 | | LED BT UNIT | | | | | ☆ | 1 | |
| 2 | | 22953509 | | PLUNGER ARM PIN | | | | | | 1 | |
| 3 | | SS4151215SP | | SCREW15/64-28L=12 | | | | | | 2 | |
| 4 | | 40130594 | | REVERSE_FEED_SOLENOID | | | | | | 1 | |
| 5 | | 22954002 | | PLUNGER SPRING | | | | | | 1 | |
| 6 | | RE0500000KP | | E-RING 5 | | | | | | 2 | |
| 7 | R | 22953806 | 11101300 | REVERSE FEED CO- NECTING SHAFT | | | | | | 1 | 1.00 |
| 8 | | RE0900000K0 | | E-RING 9 | | | | | | 1 | |
| 9 | | 22953657 | | CONNECTING ARM ASM. | | | | | | 1 | |
| 10 | | RE0400000KP | | E-RING 4 | | | | | | 1 | |
| 11 | | 22953905 | | REVERSE FEED CO- NECTING LINK | FOR DDL-8100B-7 | | | | | 1 | |
| 12 | | RE1200000K0 | | E-RING 12 | | | | | | 1 | |
| 13 | | WP1602616SZ | | WASHER 16X24X2.6 | | | | | | 1 | |
| 14 | | 22953400 | | RUBBER PLUNGER | | | | | | 1 | |
| 15 | | RE0400000K0 | | E-RING 4 | | | | | | 2 | |
| 16 | | 40132066 | | CONNECTING_LINK | FOR DDL-8100B-7R | | | | | 1 | |

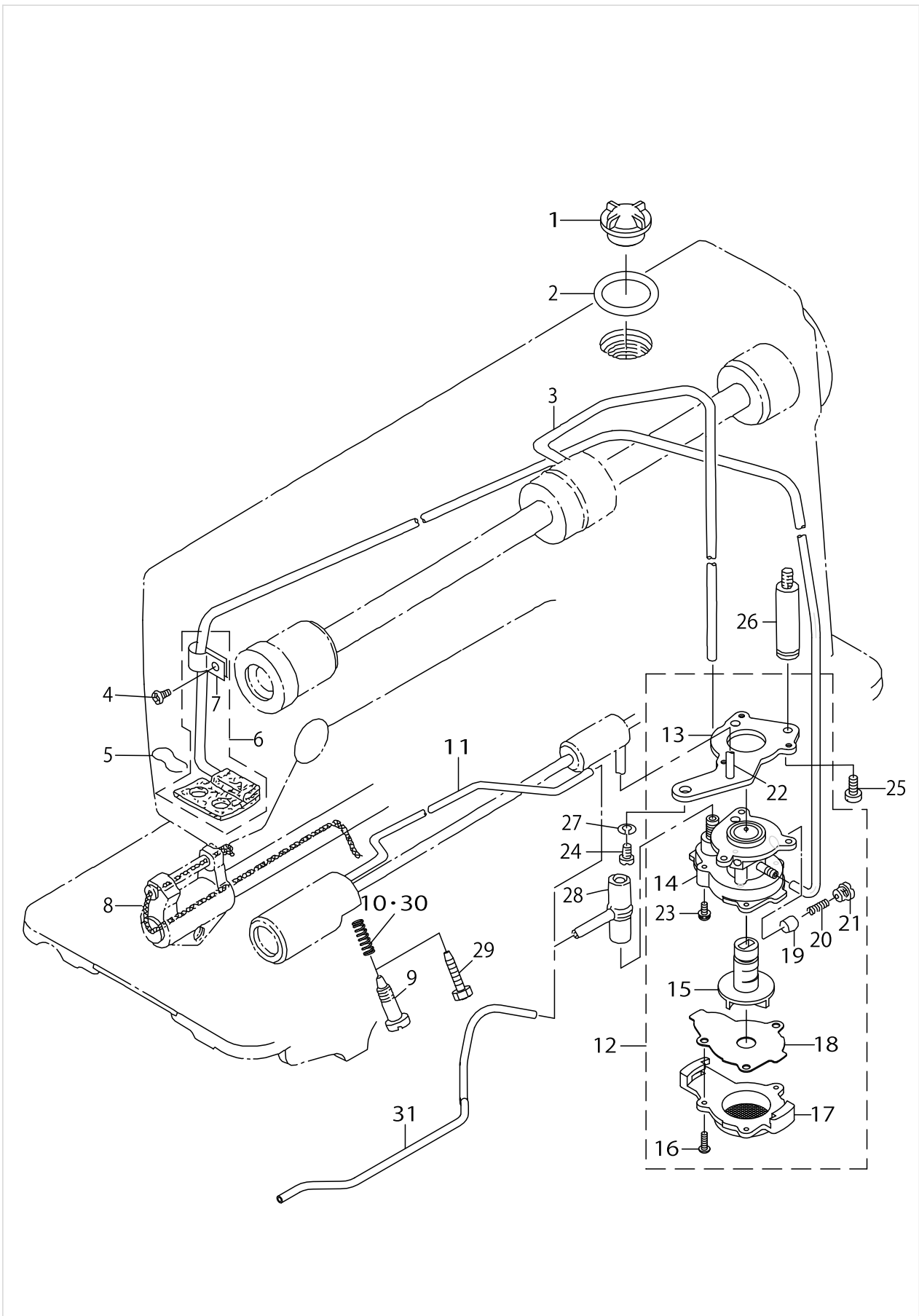
WIPER COMPONENTS



WIPER COMPONENTS

| No. | Supply Code | Parts No. | Replacement | Parts name | Remarks | Choice | Step | Level | Cons | Qty | Rep. QTY |
|-----|-------------|-------------|-------------|--------------------------|---------|--------|------|-------|------|-----|----------|
| 1 | | 40131891 | | WIPER ASM. | | | | | | 1 | |
| 2 | | 22955504 | | WIPER COVER | | | | * | | 1 | |
| 3 | | SL4030691SC | | SCREW M3 L=6 | | | | * | | 1 | |
| 4 | | SD0650321TP | | HINGE SCREW D=6.5 H=3.2 | | | | * | | 1 | |
| 5 | | NS6090310SP | | NUT 9/64-40 | | | | * | | 1 | |
| 6 | | 22956106 | | WIPER LINK A | | | | * | | 1 | |
| 7 | | 22956403 | | WIPER LINK B | | | | * | | 1 | |
| 8 | | RE0250000K0 | | E-RING 2.5 | | | | * | | 1 | |
| 9 | | 22956908 | | WIPER LINK B HINGE SCREW | | | | * | | 1 | |
| 10 | | 22956205 | | WIPER HINGE SCREW COLLAR | | | | * | | 1 | |
| 11 | | 22956304 | | WIPER SPRING | | | | * | | 1 | |
| 12 | | NS6110310SP | | NUT 11/64-40 | | | | * | | 1 | |
| 13 | | 22955900 | | WIPER RUBBER A | | | | * | | 1 | |
| 14 | | 22956007 | | WIPER RUBBER B | | | | * | | 1 | |
| 15 | | 40110999 | | WIPER SOLENOID | | | | * | | 1 | |
| 16 | | 22957104 | | WIPER SOLENOID SHAFT | | | | * | | 1 | |
| 17 | | 40086678 | | WIPER_SW_RUBBER | | | | * | | 1 | |
| 18 | | RE0500000K0 | | E-RING | | | | * | | 1 | |
| 19 | | 40041419 | | WIPER LINK C ASM. | | | | * | | 1 | |
| 20 | | 11110152 | | WIPER BASE ASM. | | | | * | | 1 | |
| 21 | | 22957203 | | WIPER LINK COLLAR | | | | * | | 1 | |
| 22 | | SL4030641SE | | SCREW | | | | * | | 3 | |
| 23 | | 22956809 | | WIPER COLLAR | | | | * | | 1 | |
| 24 | | 40135586 | | WIPER_B7 | | | | * | | 1 | |
| 25 | | SS6090540SP | | SCREW 9/64-40 L=5.0 | | | | * | | 1 | |
| 26 | | SS4120915SP | | SCREW 3/16-28 L=9 | | | | | | 2 | |

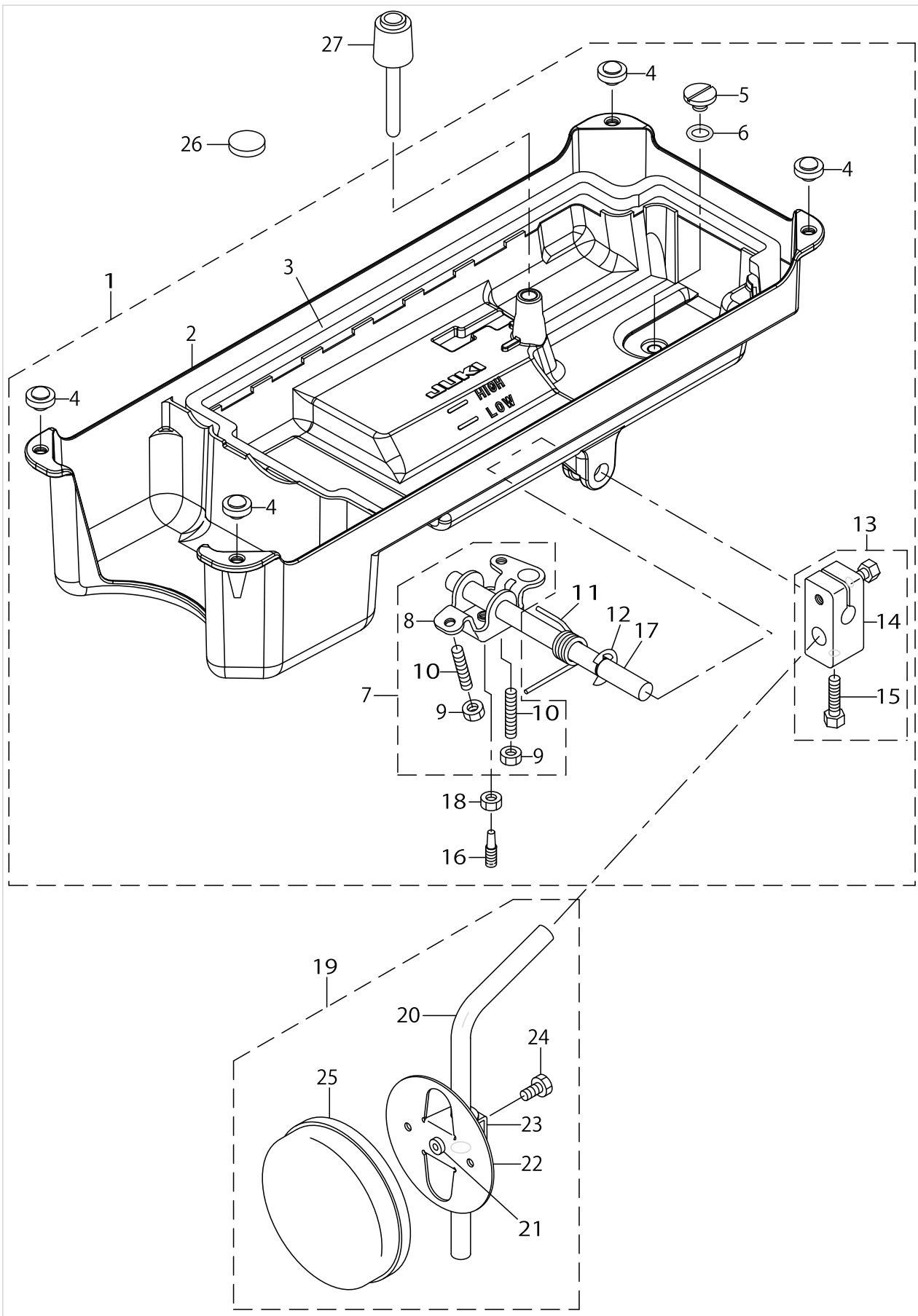
OIL LUBRICATION COMPONENTS



OIL LUBRICATION COMPONENTS

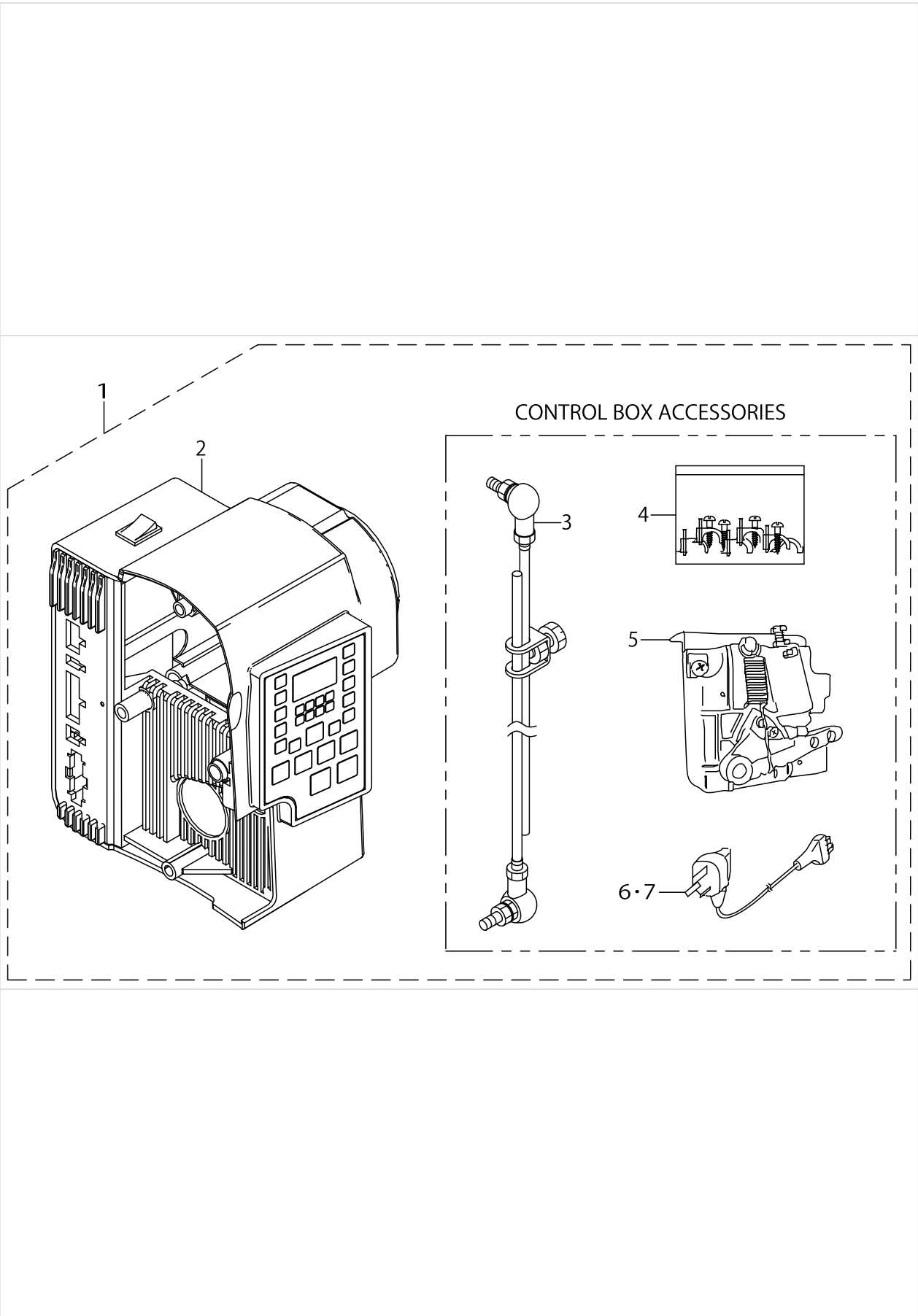
| No. | Supply Code | Parts No. | Replacement | Parts name | Remarks | Choice | Step | Level | Cons | Qty | Rep. QTY |
|-----|-------------|-------------|-------------|-----------------------------|------------------|--------|---|-------|------|-----|----------|
| 1 | | 22924708 | | OIL SIGHT WINDOW | | | | | | 1 | |
| 2 | | RO195240100 | | RUBBER RING | | | | | | 1 | |
| 3 | | 22924401 | | MAINSHAFTOILTUBE | | | | | | 1 | |
| 4 | | SS4120615SP | | SCREW 3/16-28 L=6 | | | | | | 1 | |
| 5 | | 22925101 | | OIL FELT PRESSER | | | | | | 1 | |
| 6 | | 22924153 | | OIL RETURN TUBE ASM. | | | | | | 1 | |
| 7 | | 22924302 | | HOLDER | | | | * | | 1 | |
| 8 | | CQ252000000 | | OIL WICK | | | | | | .3 | |
| 9 | | 22925002 | | OIL ADJUSTING SCREW | FOR DDL-8100B-7 | | | | | 1 | |
| 10 | | 22924906 | | SPRING | FOR DDL-8100B-7 | | | | | 1 | |
| 11 | | 22924500 | | OIL TUBE | FOR DDL-8100B-7 | | | | | 1 | |
| 12 | | 22923056 | | LUBRICATING OIL PUMP ASM. | | | | | | 1 | |
| 13 | R | 22923312 | 11392057 | OIL PUMP INSTALLING BASE | | A | DDL5430 | * | | 1 | 1.00 |
| 13 | R | 22923312 | 11404555 | OIL PUMP INSTALLING BASE | | B | DDL5600/- 8100e, DU1181 | * | | 1 | 1.00 |
| 13 | R | 22923312 | 22923056 | OIL PUMP INSTALLING BASE | | C | DDL8700/- 8300/8500- /900A, DM- N5420/5400 | * | | 1 | 1.00 |
| 14 | R | 22923015 | 22923056 | OIL PUMP | | | | * | | 1 | 1.00 |
| 15 | | 22923700 | | OIL PUMP IMPELLER | | | | * | | 1 | |
| 16 | | SE4301041SR | | SCREW D=3 L=10 | | | | * | | 1 | |
| 17 | | 22923205 | | LUBRICATING OIL PUMP COVER | | | | * | | 1 | |
| 18 | | 22923809 | | OIL PUMP IMPELLER COVER | | | | * | | 1 | |
| 19 | | 22923403 | | PLUNGER | | | | * | | 1 | |
| 20 | | 22923601 | | PLUNGER SPRING | | | | * | | 1 | |
| 21 | | 22923502 | | PLUNGER SCREW | | | | * | | 1 | |
| 22 | | 22923908 | | HOOK DRIVING SHAFT OIL TUBE | | | | * | | 1 | |
| 23 | | SL4030851SF | | SCREW M3 L=8 | | | | * | | 3 | |
| 24 | | SS4150915SP | | SCREW 15/64-28 L=9 | | | | | | 1 | |
| 25 | | SS6111010TP | | SCREW 11/64-40 L=9.5 | | | | | | 1 | |
| 26 | | 22947105 | | OIL PUMP SUPPORT | | | | | | 1 | |
| 27 | | WS0651310KP | | SPRING WASHER 6.5X11X1.3 | | | | | | 1 | |
| 28 | | 22924609 | | RUBBER JOINT | | | | | | 1 | |
| 29 | | 40127178 | | OIL_REGULATOR_SCREW | FOR DDL-8100B-7R | | | | | 1 | |
| 30 | | 40127179 | | OIL_REGULATOR_SPRING | FOR DDL-8100B-7R | | | | | 1 | |
| 31 | | 40127193 | | HOOK_OIL_TUBE | FOR DDL-8100B-7R | | | | | 1 | |

OIL RESERVOIR COMPONENTS



OIL RESERVOIR COMPONENTS

| No. | Supply Code | Parts No. | Replacement | Parts name | Remarks | Choice | Step | Level | Cons | Qty | Rep. QTY |
|-----|-------------|-------------|-------------|-------------------------------|---------|--------|------|-------|------|-----|----------|
| 1 | | 40111876 | | OIL_RESERVER_ASM. | | | | | | 1 | |
| 2 | | 40105821 | | OIL RESERVOIR | | | | * | | 1 | |
| 3 | R | 22931901 | 11024700 | OIL RESERVOIR GASKET | | | | * | | 1 | 1.00 |
| 4 | | B1116210D00 | | FRAME SUPPORT RUBBER | | | | * | | 4 | |
| 5 | | SS6700710SH | | SCREW 5/16-24 L=7 | | | | * | | 1 | |
| 6 | | RO098240100 | | RUBBER RING | | | | * | | 1 | |
| 7 | | 22932156 | | KNEE LIFTER ROTATION ARM ASM. | | | | * | | 1 | |
| 8 | R | 22932107 | 22932156 | KNEE LIFTING ROTATING ARM | | | | * | | 1 | 1.00 |
| 9 | | NM6060001SE | | NUT M6 | | | | * | | 2 | |
| 10 | | SM8063012TR | | SCREW M6 L=30 | | | | * | | 2 | |
| 11 | | 22932206 | | SPRING | | | | * | | 1 | |
| 12 | | RE1000000K0 | | E-RING 10 | | | | * | | 1 | |
| 13 | | 22932453 | | BRACKET ASM. | | | | * | | 1 | |
| 14 | R | 22932404 | 22932453 | BRACKET | | | | * | | 1 | 1.00 |
| 15 | | 22934707 | | SCREW | | | | * | | 2 | |
| 16 | | 40101720 | | SCREW_M6 | | | | * | | 1 | |
| 17 | | 40101541 | | KNEE_PRESS_CROSS_SHAFT | | | | * | | 1 | |
| 18 | | NM6060001SE | | NUT M6 | | | | * | | 1 | |
| 19 | | 22934251 | | KNEE PAD PLATE ASM. | | | | | | 1 | |
| 20 | | 22934608 | | KNEE PAD UPRIGHT SHAFT | | | | * | | 1 | |
| 21 | | 22934400 | | KNEE PAD PLATE RUBBER | | | | * | | 1 | |
| 22 | | 22934202 | | KNEE PAD PLATE | | | | * | | 1 | |
| 23 | | 22934301 | | KNEE PAD PLATE SUPPORT | | | | * | | 1 | |
| 24 | | SM9061203SE | | SCREW M6 L=12 | | | | * | | 1 | |
| 25 | | 22934509 | | KNEE PAD PLATE COVER | | | | * | | 1 | |
| 26 | | B8228125000 | | OIL RESERVOIR MAGNET | | | | | | 1 | |
| 27 | | 22931703 | | KNEE LIFTER PUSH ROD | | | | | | 1 | |



PSC UNIT

| No. | Supply Code | Parts No. | Replacement | Parts name | Remarks | Choice | Step | Level | Cons | Qty | Rep. QTY |
|-----|-------------|-----------|-------------|------------------------|--------------------|--------|------|-------|------|-----|----------|
| 1 | | 40130873 | | CONTROL BOX | | | | | | 1 | |
| 2 | | 40138199 | | CONTROL BOX (SINGLE) | | | | * | | 1 | |
| 3 | | 40131478 | | CONNECTING_ROD_ASSY | | | | * | | 1 | |
| 4 | | 40131477 | | ACCESSORIES PARTS ASSY | | | | * | | 1 | |
| 5 | | 40130876 | | PEDAL SENSOR BASE ASSY | | | | * | | 1 | |
| 6 | | 40131479 | | AC INPUT CABLE ASSY | FOR CHINA | | | * | | 1 | |
| 7 | | 40138939 | | AC INPUT CABLE ASSY | FOR GENERAL EXPORT | | | * | | 1 | |

LIST FOR INFORMATION OF CHANGE

As to the place changed, refer to the corresponding Rev.No.
When previous parts(Obsoleted part)and new parts(Added parts)are
not interchangeable with each other:
In this case, even obsoleted parts(D.)can be ordered with the
obsoleted part number, so select the parts with changed dates and
place your orders.

変更箇所は、該当Rev.No.版をご参照ください。
部品の互換性がない変更の場合は、削除された品番でも、ご注文できます。

40130596
No.1627-03・・Rev.No.

*A:Added parts追加部品/D:Obsoleted parts削除部品/E:Erratum訂正

| * Rev. No. | Page 頁 | Ref. No. | Parts No. 品番 | * Rev. No. | Page 頁 | Ref. No. | Parts No. 品番 | | |
|------------------|-----------|-------------|-----------------|------------------|-----------|-------------|-----------------|----|---------------|
| D | 02 | 4 | 33 | 225-38706 | A | 03 | 4 | 33 | 401-63521 |
| D | 02 | 6 | 23 | 229-04155 | A | 03 | 6 | 23 | 401-37502 |
| D | 02 | 6 | 45 | 228-88002 | A | 03 | 6 | 45 | 401-39216 |
| D | 02 | 8 | 27 | 229-16308 | A | 03 | 8 | 27 | 401-37498 |
| D | 02 | 8 | 29 | 229-17157 | A | 03 | 8 | 29 | 401-36014 |
| D | 02 | 8 | 34 | 401-26849 | A | 03 | 8 | 34 | 401-53440 |
| D | 02 | 12 | 49 | 229-04155 | A | 03 | 12 | 49 | 401-37504 |
| D | 02 | 12 | 62 | 229-04155 | A | 03 | 12 | 62 | 401-37504 |
| D | 02 | 18 | 3 | SL-4030631-SC | A | 03 | 18 | 3 | SL-4030691-SC |
| | | | | | | | | | |
| | | | | | | | | | |
| | | | | | | | | | |
| | | | | | | | | | |
| | | | | | | | | | |
| | | | | | | | | | |
| | | | | | | | | | |
| | | | | | | | | | |
| | | | | | | | | | |
| | | | | | | | | | |
| | | | | | | | | | |
| | | | | | | | | | |
| | | | | | | | | | |
| | | | | | | | | | |
| | | | | | | | | | |
| | | | | | | | | | |
| | | | | | | | | | |
| | | | | | | | | | |
| | | | | | | | | | |
| | | | | | | | | | |
| | | | | | | | | | |
| | | | | | | | | | |
| | | | | | | | | | |
| | | | | | | | | | |
| | | | | | | | | | |
| | | | | | | | | | |

HOW TO MAKE USE OF THIS PARTS LIST

1.Explanation of codes

1)"*"mark.....means this part is changed from the previous parts book.

As to the details of the change, refer to the "List for information of change".

2)"#01".....refer to "Note" explanation at bottom of page.

2.Codes on the "Qty" column

- Each numeral indicates the number of parts required.
- "0.1" and "2.5" indicate the length (in meters) of the respective parts.

3.Parentheses mean that the corresponding part is a subpart that constructs an assembly part.

4.Dotted lines on the Figures indicate assembly parts.

5.As to the parts with marks of "☆"(consumable parts) and "◎"(optional parts)on the respective parts, it is recommended to prepare spares.

1 ."注記"欄の記号説明

1) "*"印.....前回のパーツブックに比較して今回変更された部品を意味します。

変更内容は、"変更情報リスト"を参照してください。

2) "#01".....ページ下の"注記"の説明を参照してください。

2.数量欄の数字は、個数を表し、0.1、2.5等の数値は、長さ（単位メートル）を表します。

3.数量欄の（ ）は、組部品を構成している子部品であることを意味します。

4.イラストページの-----枠は、組構成であることを意味します。

5.リストページの"☆"（消耗部品）、"◎"（オプション部品）の印がついた部品は、予備を準備しておくことをお奨めします。

NUMERICAL INDEX OF PARTS

| PART NO | PAGE | REF NO. | PART NO | PAGE | REF NO. | PART NO | PAGE | REF NO. |
|----------|------|---------|----------|------|---------|----------|------|---------|
| 11002904 | 8 | 3 | 22910004 | 8 | 21 | 22921308 | 2 | 33 |
| 11009800 | 16 | 23 | 22910053 | 8 | 19 | 22921407 | 2 | 34 |
| 11010311 | 16 | 17 | 22910103 | 8 | 42 | 22921506 | 2 | 37 |
| 11015906 | 10 | 37 | 22910202 | 16 | 12 | 22921506 | 6 | 28 |
| 11037405 | 16 | 22 | 22910251 | 16 | 11 | 22921605 | 2 | 39 |
| 11038759 | 10 | 24 | 22910806 | 16 | 28 | 22921803 | 2 | 36 |
| 11040052 | 20 | 5 | 22910905 | 16 | 24 | 22923015 | 30 | 14 |
| 11040409 | 20 | 4 | 22911002 | 16 | 40 | 22923056 | 30 | 12 |
| 11040854 | 22 | 45 | 22911101 | 16 | 13 | 22923205 | 30 | 17 |
| 11040953 | 20 | 44 | 22911507 | 16 | 2 | 22923312 | 30 | 13 |
| 11110152 | 28 | 20 | 22911606 | 16 | 4 | 22923403 | 30 | 19 |
| 11351806 | 24 | 14 | 22911804 | 16 | 7 | 22923502 | 30 | 21 |
| 22900401 | 2 | 10 | 22912000 | 16 | 9 | 22923601 | 30 | 20 |
| 22900609 | 2 | 28 | 22912109 | 16 | 8 | 22923700 | 30 | 15 |
| 22900757 | 2 | 4 | 22912257 | 16 | 19 | 22923809 | 30 | 18 |
| 22901003 | 4 | 55·67 | 22912505 | 16 | 20 | 22923908 | 30 | 22 |
| 22901201 | 4 | 52 | 22912802 | 16 | 36 | 22924153 | 30 | 6 |
| 22901250 | 4 | 51 | 22913008 | 18 | 51 | 22924302 | 30 | 7 |
| 22901300 | 4 | 53 | 22913701 | 16 | 38 | 22924401 | 30 | 3 |
| 22901805 | 2 | 14 | 22915003 | 16 | 15 | 22924500 | 30 | 11 |
| 22903207 | 8 | 25 | 22915201 | 18 | 48 | 22924609 | 30 | 28 |
| 22903306 | 8 | 27 | 22915359 | 18 | 58 | 22924708 | 30 | 1 |
| 22905004 | 10 | 23 | 22916001 | 10 | 31·40 | 22924807 | 22 | 58 |
| 22905103 | 10 | 25 | 22916100 | 10 | 35·43 | 22924906 | 30 | 10·30 |
| 22905202 | 10 | 26 | 22916407 | 10 | 32·41 | 22925002 | 30 | 9 |
| 22906101 | 10 | 2 | 22916506 | 10 | 38 | 22925101 | 30 | 5 |
| 22906457 | 10 | 4 | 22916555 | 10 | 36 | 22931703 | 32 | 27 |
| 22906606 | 8 | 11 | 22917058 | 10 | 12 | 22931901 | 32 | 3 |
| 22907307 | 12 | 36 | 22918064 | 8 | 5 | 22932107 | 32 | 8 |
| 22907406 | 12 | 33 | 22918304 | 8 | 12 | 22932156 | 32 | 7 |
| 22907505 | 12 | 32 | 22918403 | 8 | 6~9 | 22932206 | 32 | 11 |
| 22907554 | 12 | 30 | 22918502 | 8 | 6~9 | 22932404 | 32 | 14 |
| 22907604 | 12 | 31 | 22918601 | 8 | 6~9 | 22932453 | 32 | 13 |
| 22907703 | 14 | 45 | 22918700 | 8 | 6~9 | 22932909 | 10 | 18 |
| 22907802 | 12 | 1 | 22919203 | 8 | 29 | 22934202 | 32 | 22 |
| 22908008 | 12 | 42 | 22919559 | 8 | 2 | 22934251 | 32 | 19 |
| 22908008 | 14 | 42 | 22920102 | 12 | 29 | 22934301 | 32 | 23 |
| 22908156 | 12 | 40 | 22920201 | 12 | 23 | 22934400 | 32 | 21 |
| 22908305 | 14 | 44 | 22920300 | 12 | 26 | 22934509 | 32 | 25 |
| 22908354 | 12 | 39 | 22920409 | 12 | 24 | 22934608 | 32 | 20 |
| 22908552 | 12 | 4 | 22920508 | 2 | 30 | 22934707 | 32 | 15 |
| 22908701 | 12 | 7 | 22920607 | 4 | 47 | 22935407 | 4 | 57 |
| 22908800 | 12 | 14 | 22920904 | 2 | 43 | 22939508 | 10 | 3 |
| 22908909 | 12 | 11 | 22921001 | 2 | 31 | 22940654 | 18 | 55 |
| 22909006 | 12 | 13 | 22921209 | 2 | 38 | 22940753 | 16 | 35 |

NUMERICAL INDEX OF PARTS

| PART NO | PAGE | REF NO. | PART NO | PAGE | REF NO. | PART NO | PAGE | REF NO. |
|----------|------|---------|----------|------|---------|----------|------|---------|
| 22940803 | 16 | 31 | 22953806 | 26 | 7 | 40090005 | 10 | 21 |
| 22940951 | 16 | 27 | 22953905 | 26 | 11-16 | 40090058 | 10 | 6 |
| 22941108 | 16 | 1 | 22954002 | 26 | 5 | 40093417 | 16 | 26 |
| 22941306 | 18 | 65 | 22955504 | 28 | 2 | 40098388 | 12 | 34 |
| 22942502 | 10 | 32-41 | 22955900 | 28 | 13 | 40099083 | 4 | 58 |
| 22942601 | 10 | 28 | 22956007 | 28 | 14 | 40100812 | 18 | 64 |
| 22944508 | 12 | 18 | 22956106 | 28 | 6 | 40101541 | 32 | 17 |
| 22944607 | 12 | 20 | 22956205 | 28 | 10 | 40101720 | 32 | 16 |
| 22944706 | 12 | 10 | 22956304 | 28 | 11 | 40101726 | 16 | 10 |
| 22944854 | 12 | 28-48 | 22956403 | 28 | 7 | 40102097 | 2 | 1 |
| 22945109 | 12 | 25 | 22956809 | 28 | 23 | 40102261 | 2 | 13 |
| 22945307 | 2 | 40 | 22956908 | 28 | 9 | 40102264 | 18 | 60 |
| 22945414 | 2 | 22 | 22957104 | 28 | 16 | 40103560 | 8 | 4 |
| 22945463 | 2 | 21 | 22957203 | 28 | 21 | 40105821 | 32 | 2 |
| 22945505 | 2 | 25 | 22958300 | 2 | 7 | 40109126 | 8 | 10 |
| 22945604 | 2 | 23 | 22970313 | 10 | 8 | 40109422 | 16 | 45 |
| 22945703 | 2 | 26 | 22970404 | 10 | 10 | 40110376 | 8 | 15 |
| 22945703 | 6 | 30 | 26260109 | 6 | 2 | 40110379 | 16 | 43 |
| 22945802 | 2 | 24 | 26260208 | 6 | 3 | 40110390 | 8 | 13 |
| 22947105 | 30 | 26 | 26260307 | 6 | 4 | 40110731 | 6 | 25 |
| 22947808 | 20 | 7 | 26260406 | 6 | 5 | 40110734 | 6 | 26 |
| 22948202 | 20 | 3 | 26260505 | 6 | 6 | 40110975 | 6 | 16 |
| 22948301 | 20 | 35 | 26260604 | 6 | 7 | 40110976 | 6 | 1 |
| 22948400 | 20 | 37 | 26260802 | 6 | 8 | 40110995 | 22 | 53 |
| 22949002 | 20 | 43 | 26261008 | 6 | 9 | 40110999 | 28 | 15 |
| 22949101 | 20 | 40 | 26261206 | 6 | 10 | 40111022 | 2 | 20 |
| 22949200 | 20 | 41 | 26261305 | 6 | 11 | 40111031 | 22 | 49 |
| 22949309 | 20 | 38 | 26261503 | 6 | 12 | 40111424 | 8 | 32 |
| 22949408 | 20 | 29 | 26261602 | 6 | 13 | 40111876 | 32 | 1 |
| 22949754 | 20 | 24 | 26261701 | 6 | 14 | 40111896 | 4 | 65 |
| 22949762 | 20 | 23 | 40011144 | 6 | 15 | 40111897 | 18 | 52 |
| 22949903 | 22 | 55 | 40012126 | 2 | 2 | 40112420 | 2 | 35 |
| 22950000 | 20 | 26 | 40012129 | 2 | 11 | 40112907 | 22 | 59 |
| 22950109 | 20 | 31 | 40017805 | 12 | 35 | 40112907 | 24 | 38 |
| 22950208 | 20 | 14 | 40021933 | 6 | 17 | 40115888 | 2 | 17 |
| 22950257 | 20 | 13 | 40023223 | 10 | 7 | 40119475 | 6 | 24 |
| 22950356 | 20 | 15 | 40037008 | 6 | 34 | 40126297 | 8 | 35 |
| 22950703 | 20 | 25 | 40041419 | 28 | 19 | 40126299 | 8 | 44 |
| 22950851 | 20 | 19 | 40060989 | 12 | 5 | 40126300 | 8 | 36 |
| 22950950 | 20 | 21 | 40086678 | 28 | 17 | 40126305 | 4 | 60 |
| 22951008 | 22 | 60 | 40087245 | 20 | 30 | 40126307 | 8 | 34 |
| 22951404 | 22 | 50 | 40089548 | 16 | 25 | 40126308 | 4 | 64 |
| 22953400 | 26 | 14 | 40090002 | 10 | 14 | 40126410 | 8 | 30 |
| 22953509 | 26 | 2 | 40090003 | 10 | 16 | 40126850 | 2 | 32 |
| 22953657 | 26 | 9 | 40090004 | 10 | 19 | 40127152 | 24 | 1 |

NUMERICAL INDEX OF PARTS

| PART NO | PAGE | REF NO. | PART NO | PAGE | REF NO. | PART NO | PAGE | REF NO. |
|----------|------|---------|-------------|------|---------|-------------|------|---------|
| 40127153 | 24 | 2 | 40133950 | 16 | 33 | RE0500000K0 | 14 | 43 |
| 40127154 | 24 | 4 | 40135586 | 28 | 24 | RE0500000K0 | 16 | 21 |
| 40127155 | 24 | 6 | 40136014 | 10 | 29 | RE0500000K0 | 20 | 56 |
| 40127156 | 24 | 9 | 40137498 | 10 | 27 | RE0500000K0 | 22 | 56 |
| 40127157 | 24 | 10 | 40137502 | 8 | 23 | RE0500000K0 | 28 | 18 |
| 40127160 | 24 | 13 | 40137504 | 18 | 62 | RE0500000KP | 26 | 6 |
| 40127161 | 24 | 15 | 40138199 | 34 | 2 | RE0600000K0 | 20 | 34 |
| 40127162 | 24 | 18 | 40138939 | 34 | 6-7 | RE0600000K0 | 24 | 33 |
| 40127163 | 24 | 19 | 40139216 | 8 | 45 | RE0900000K0 | 26 | 8 |
| 40127164 | 24 | 21 | 40153440 | 10 | 34 | RE1000000K0 | 32 | 12 |
| 40127165 | 24 | 22 | 40163521 | 6 | 33 | RE1200000K0 | 26 | 12 |
| 40127166 | 24 | 23 | B1109552000 | 4 | 44 | RO029180100 | 8 | 41 |
| 40127167 | 24 | 24 | B1116210D00 | 32 | 4 | RO037180100 | 12 | 3 |
| 40127168 | 24 | 26 | B1213552000 | 8 | 43 | RO044240100 | 8 | 18 |
| 40127177 | 10 | 35-43 | B1215552000 | 8 | 26 | RO078190100 | 16 | 37 |
| 40127178 | 30 | 29 | B1521555000 | 12 | 2 | RO092270200 | 16 | 16 |
| 40127179 | 30 | 10-30 | B15240120BA | 12 | 9 | RO098240100 | 32 | 6 |
| 40127180 | 24 | 28 | B8228125000 | 32 | 26 | RO195240100 | 30 | 2 |
| 40127181 | 24 | 29 | CM300200001 | 2 | 12 | SD0460703TP | 20 | 2 |
| 40127182 | 24 | 30 | CQ252000000 | 30 | 8 | SD0600291TP | 24 | 16 |
| 40127183 | 24 | 31 | D2406555D0H | 20 | 10 | SD0600361SP | 22 | 46 |
| 40127188 | 24 | 39 | D7133555B00 | 6 | 29 | SD0630275SP | 20 | 18 |
| 40127189 | 14 | 46 | EA9500B0100 | 4 | 63 | SD0640631TP | 22 | 48 |
| 40127190 | 24 | 40 | HK034610140 | 20 | 11 | SD0641451SP | 20 | 17 |
| 40127191 | 10 | 44 | HK034610140 | 24 | 37 | SD0650321TP | 28 | 4 |
| 40127192 | 10 | 31-40 | MDB100B1400 | 10 | 11 | SD0720331SP | 12 | 12 |
| 40127193 | 30 | 31 | NM6040001SE | 22 | 52 | SD0850751SP | 24 | 36 |
| 40130579 | 20 | 1 | NM6060001SE | 32 | 18 | SD1000801SH | 18 | 47 |
| 40130580 | 20 | 6 | NS6090310SP | 28 | 5 | SE4301041SR | 30 | 16 |
| 40130594 | 26 | 4 | NS6110310SP | 28 | 12 | SL4030641SE | 28 | 22 |
| 40130872 | 8 | 37 | NS6110350SP | 24 | 17 | SL4030691SC | 28 | 3 |
| 40130873 | 34 | 1 | NS6120630SP | 6 | 27 | SL4030851SF | 30 | 23 |
| 40130874 | 26 | 1 | NS6150430SP | 20 | 33 | SL6051492TN | 8 | 39 |
| 40130875 | 8 | 40 | NS6620310SP | 12 | 21 | SL6052092TN | 2 | 18 |
| 40130876 | 34 | 5 | NS6680410SP | 16 | 42 | SL6052592TN | 8 | 38 |
| 40131477 | 34 | 4 | RC0150001KP | 16 | 54 | SL6054592TN | 4 | 62 |
| 40131478 | 34 | 3 | RC0150001KP | 18 | 54 | SM0050801SC | 6 | 32 |
| 40131479 | 34 | 6-7 | RC0560711KP | 6 | 18 | SM5040655SN | 6 | 20 |
| 40131891 | 28 | 1 | RC1850001KP | 8 | 22 | SM6053052TN | 4 | 61 |
| 40132066 | 26 | 11-16 | RE0250000K0 | 28 | 8 | SM8040802TP | 6 | 21 |
| 40132067 | 14 | 47 | RE0400000K0 | 6 | 19 | SM8050502TP | 6 | 22 |
| 40132068 | 14 | 28-48 | RE0400000K0 | 20 | 39 | SM80608A2TP | 8 | 33 |
| 40132099 | 4 | 68 | RE0400000K0 | 26 | 15 | SM8061010TP | 18 | 61 |
| 40132143 | 24 | 34 | RE0400000KP | 26 | 10 | SM8063012TR | 32 | 10 |
| 40133779 | 16 | 39 | RE0500000K0 | 12 | 43 | SM9061203SE | 32 | 24 |

NUMERICAL INDEX OF PARTS

| PART NO | PAGE | REF NO. | PART NO | PAGE | REF NO. |
|-------------|------|---------|-------------|------|---------|
| SS1090520TP | 24 | 5 | SS6660610TP | 20 | 20 |
| SS2060210SP | 20 | 8 | SS6661110SP | 8 | 20 |
| SS2110915SP | 4 | 46 | SS6700710SH | 32 | 5 |
| SS2110920TP | 4 | 45 | SS7080510TP | 10 | 9 |
| SS4080620TP | 16 | 34 | SS7090610SP | 20 | 42 |
| SS4080620TP | 20 | 9 | SS7090610SP | 24 | 8 |
| SS4090615SP | 8 | 28 | SS7091110TP | 12 | 6 |
| SS4110515SP | 12 | 16 | SS7110720SP | 4 | 59 |
| SS4110515SP | 18 | 66 | SS7110740TP | 18 | 53 |
| SS4110715SP | 20 | 28 | SS7111120SP | 18 | 59 |
| SS4110915TP | 10 | 33-42 | SS7120770SH | 16 | 6 |
| SS4111415SP | 24 | 12 | SS7121410TP | 18 | 56 |
| SS4120615SP | 2 | 66 | SS7681650TP | 8 | 14 |
| SS4120615SP | 4 | 66 | SS8090670SP | 2 | 41 |
| SS4120615SP | 12 | 27 | SS8110410TP | 10 | 13 |
| SS4120615SP | 30 | 4 | SS8110422TP | 24 | 25 |
| SS4120915SP | 2 | 50 | SS8110520TP | 20 | 22 |
| SS4120915SP | 4 | 50 | SS8150710TP | 2 | 42 |
| SS4120915SP | 10 | 39 | SS8151150TP | 8 | 1 |
| SS4120915SP | 28 | 26 | SS8660610TP | 8 | 31 |
| SS4121415SP | 24 | 20 | SS8660610TP | 18 | 63 |
| SS4150915SP | 12 | 17 | SS8660612TP | 24 | 27 |
| SS4150915SP | 22 | 47 | SS8660810TP | 10 | 22 |
| SS4150915SP | 30 | 24 | SS8660810TP | 12 | 37 |
| SS4151215SP | 4 | 69 | SS8661012TP | 24 | 3 |
| SS4151215SP | 22 | 57 | SS8681650TP | 8 | 16 |
| SS4151215SP | 24 | 35 | TA0850604R0 | 2 | 5 |
| SS4151215SP | 26 | 3 | TA0850604R0 | 10 | 1 |
| SS6060210SP | 4 | 54 | TA1250406R0 | 4 | 49 |
| SS6080320SP | 2 | 3 | TA1250705R0 | 2 | 6 |
| SS6090510TP | 20 | 16 | TA2000502R0 | 2 | 16 |
| SS6090540SP | 28 | 25 | TA2100904R0 | 2 | 9 |
| SS6090620TP | 16 | 41 | TA2101002R0 | 2 | 19 |
| SS6090670TP | 10 | 5 | WP0371016SD | 24 | 7 |
| SS6090670TP | 16 | 3 | WP0450826SC | 6 | 23 |
| SS6090910SP | 12 | 38 | WP0450826SC | 24 | 11 |
| SS6110420TP | 10 | 30 | WP0480856SP | 18 | 57 |
| SS6110610TP | 4 | 48 | WP0621016SH | 20 | 32 |
| SS6110710TP | 22 | 54 | WP0820816SD | 24 | 32 |
| SS6111010TP | 30 | 25 | WP1602616SZ | 26 | 13 |
| SS6111210SP | 10 | 33-42 | WS0410002KR | 22 | 51 |
| SS6121210SP | 16 | 46 | WS0651310KP | 30 | 27 |
| SS6121610SP | 16 | 44 | WT0530002KS | 4 | 56 |
| SS6121860SP | 16 | 5 | | | |
| SS6151220SP | 16 | 29 | | | |