

MODEL : PL12/PL13

List No : 1613-00

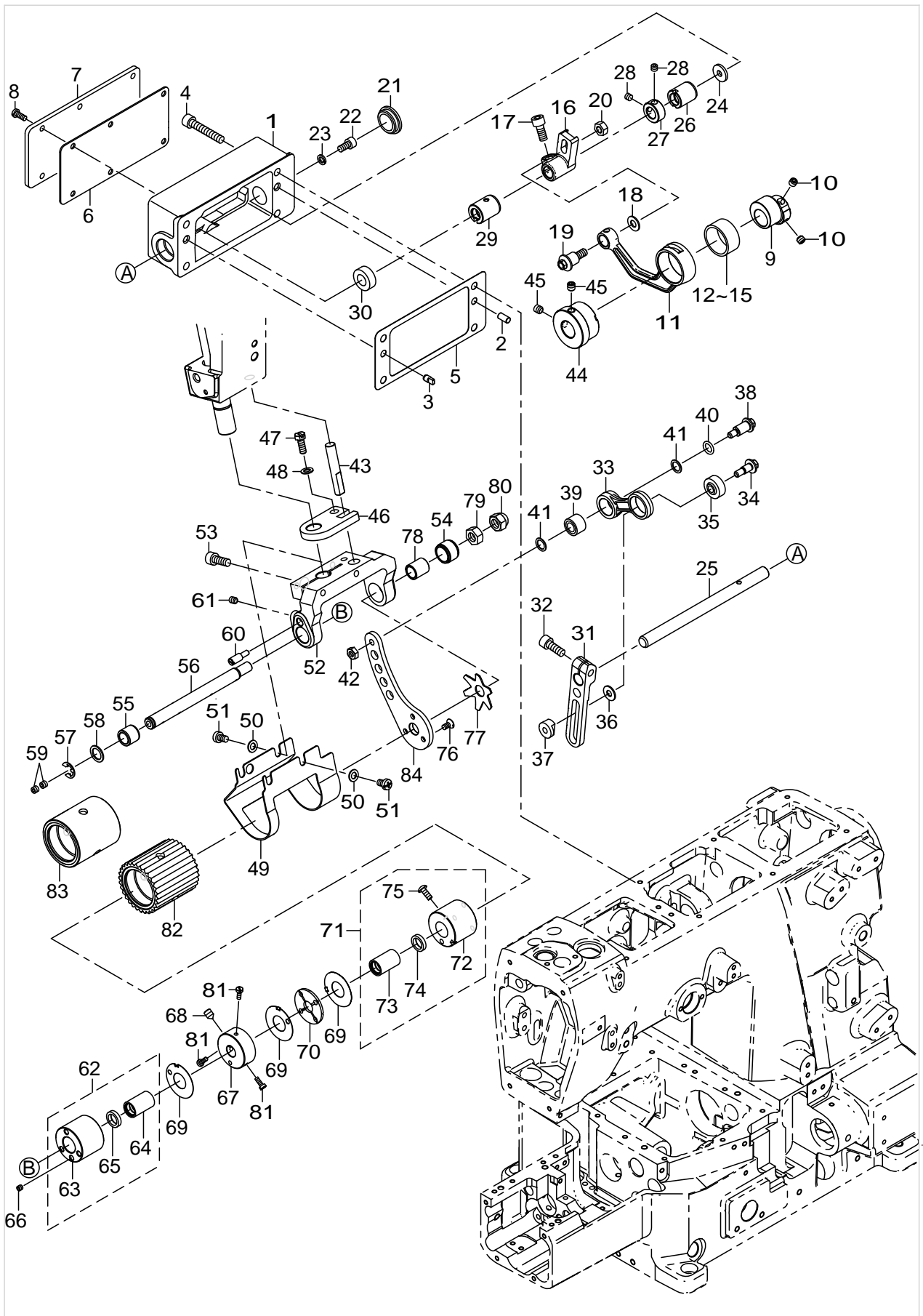
# PARTS LIST

Published:05/12/2017

## CONTENTS

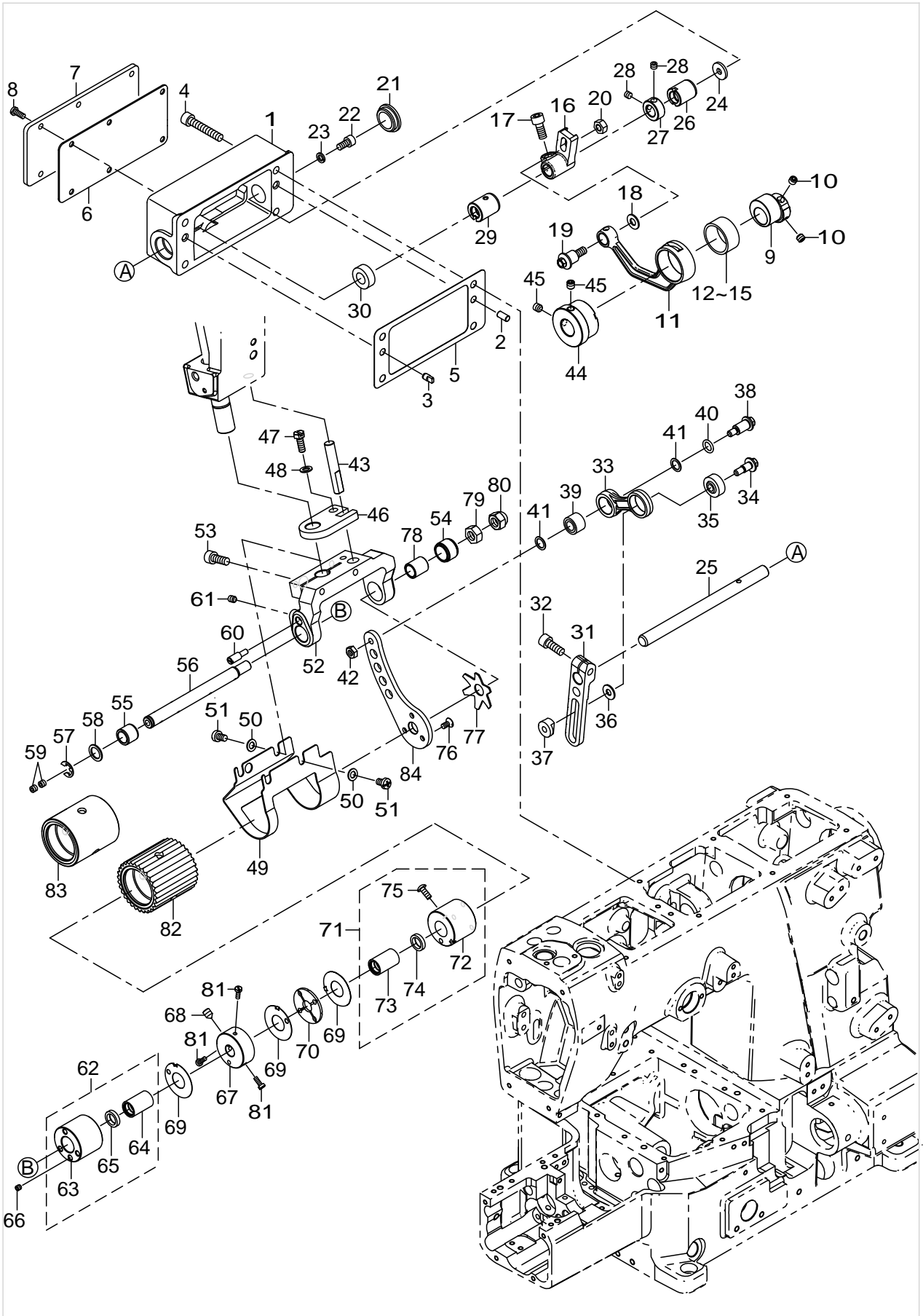
---

PL12/PL13 (1) .....	1
PL12/PL13 (2) .....	5
HOW TO MAKE USE OF THIS PARTS LIST .....	9



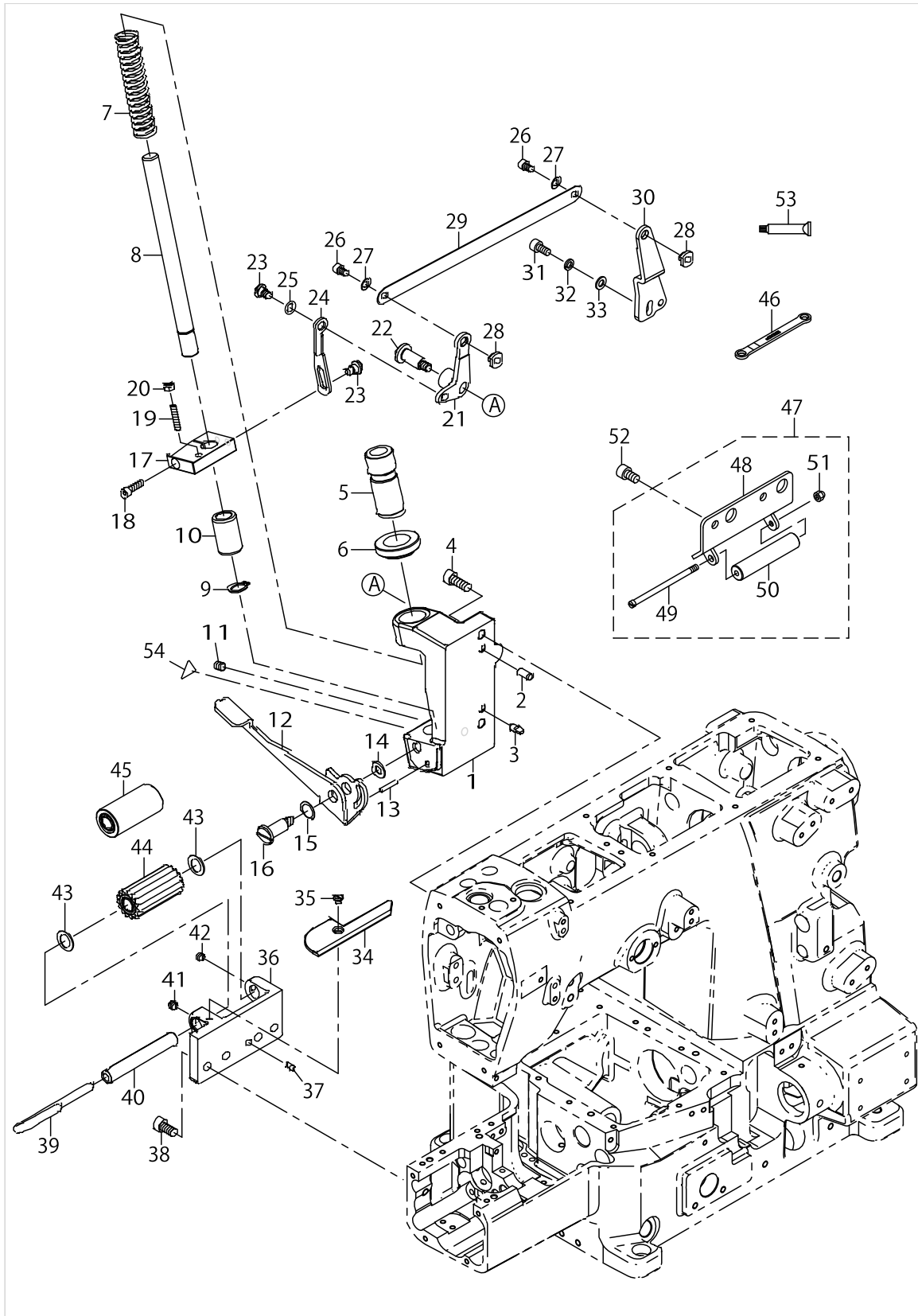
PL12/PL13 (1)

No.	Supply Code	Parts No.	Replacement	Parts name	Remarks	Choice	Step	Level	Cons	Qty	Rep. QTY
1		13470000		HOUSING PULLER DRIVE						1	
2		13477708		PIN 2						1	
3		13474903		PIN						1	
4		SM6063502TP		SCREW M6 L=35						4	
5		13470109		GASKET HOUSING						1	
6	D	13470208		GASKET PULLER COVER						1	
7		13470307		PULLER COVER						1	
8		SM4041055SP		SCREW						6	
9		13470505		PULLER DRIVE ECCENTRIC						1	
10		SM8060552TP		SCREW M6 L=5						2	
11		70001809		CONNECTING ROD						1	
12		B1426180A00		NEEDLE BEARING (A)	SELECTIVE PARTS					1	
13		B1426180B00		NEEDLE BEARING (B)	SELECTIVE PARTS					1	
14		B1426180C00		NEEDLE BEARING (C)	SELECTIVE PARTS					1	
15		B1426180D00		NEEDLE BEARING (D)	SELECTIVE PARTS					1	
16		70001807		ADJUSTING LEVER						1	
17		SM6061402TP		SCREW M6 L=14						1	
18		WP0621016SH		WASHER						1	
19		13470802		ADJ LEVER HINGE SCREW						1	
20		NM6060001CP		NUT M6						1	
21		TA2050406R0		RUBBER PLUG						1	
22		SM6051002TP		SCREW M5X0.8 L=10						1	
23		WS0510002KP		SPRING WASHER 5.1X9.2X1.3						1	
24		WP0522016SH		WASHER						1	
25		13470901		ROLLER SHAFT						1	
26		13324504		BUSHING REAR						1	
27		CS1000881TP		THRUST COLLAR						1	
28		SM8050412TP		SCREW M5 L=4						2	
29		13324603		BUSHING FRONT						1	
30		23612609		FEED CHANGING SHAFT OIL SEAL						1	
31		13471008		ROLLER DRIVE ARM						1	
32		SM6061602TP		SCREW M6 L=16						1	
33		13471305		ROLLER DRIVE LINK						1	
34		13471503		LINK HINGE SCREW						1	
35	R	13475801	70004849	RODEND						1	1.00
36		WP0551016SH		WASHER 5.5X13X1						1	
37		13471602		NUT ROLLER DRIVE LINK						1	
38		13477401		LINK HINGE SCREW 2						1	
39		SB308001600		BEARING						1	
40		RO078190100		RUBBER RING						1	
41		WP0820516SP		WASHER 11.6X8.2X0.6						2	
42		NM6050001SP		NUT M5						1	
43		13472204		GUIDE PIN						1	
44		70001808		COLLAR						1	
45		SM8060612TP		SCREW M6 L=6						2	
46		13473509		GUIDE PLATE						1	



PL12/PL13 (1)

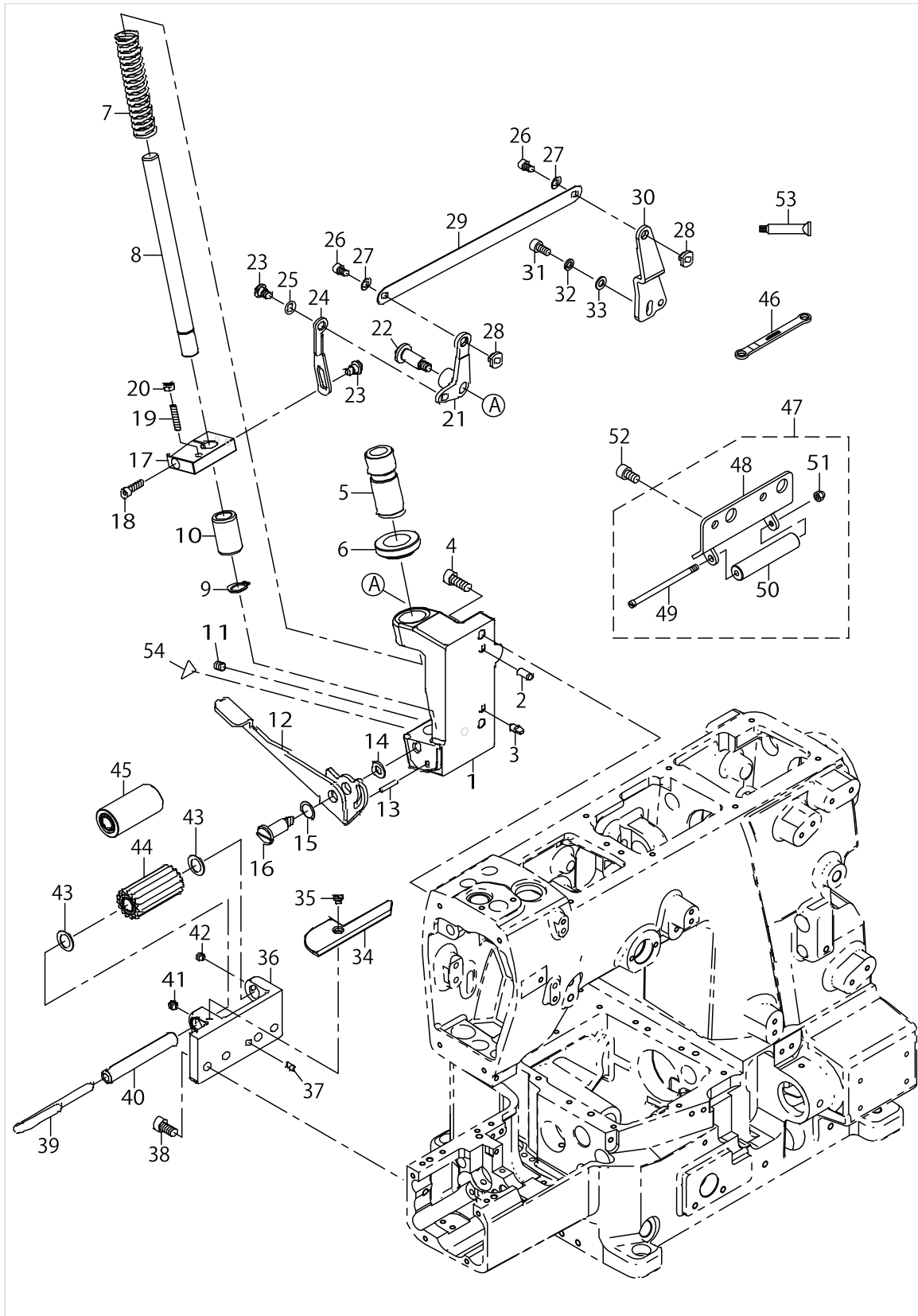
No.	Supply Code	Parts No.	Replacement	Parts name	Remarks	Choice	Step	Level	Cons	Qty	Rep. QTY
47		SM9051400SN		HEXAGON BOLT						1	
48		WP0550800SP		WASHER 5.5X10X0.8						1	
49		13473301		PULLER GUARD						1	
50		WP0550800SP		WASHER 5.5X10X0.8						4	
51		SM4050855SP		SCREW						4	
52		13473400		FEED ROLLER YOKE						1	
53		SM6061602TP		SCREW M6 L=16						1	
54		13475900		BUSHING RIGHT						1	
55		13476007		BUSHING LEFT						1	
56		13473608		UPPER ROLLER SHAFT						1	
57		RE0700000K0		E-RING 7						1	
58		WP1021026SH		WASHER						1	
59		SM8050412TP		SCREW M5 L=4						2	
60		13474200		PIN ROLLER L						1	
61		SM8050612TP		SCREW M5X6						1	
62		40023870		CLUTCH SLEEVE LEFT ASSY						1	
63		13476106		CLUTCH SLEEVE				*		1	
64		SB310000900		BEARING				*		1	
65		GBR01534000		OIL SEAL				*		1	
66		SM8040412TP		SET SCREW M4 L=4						1	
67		13476403		CLUTCH SPACER						1	
68		SM8060842TP		SCREW M6 L=8						1	
69		13476502		THRUST PLATE						3	
70		13477500		THRUST PLATE						1	
71		40023869		CLUTCH SLEEVE RIGHT ASSY						1	
72		13476106		CLUTCH SLEEVE				*		1	
73		SB310000900		BEARING				*		1	
74		GBR01534000		OIL SEAL				*		1	
75		SM4041055SP		SCREW				*		1	
76		SM1040800SP		SCREW						3	
77		13476601		CLUTCH TENSION SPRING						1	
78		13477302		CLUTCH TENSION SLEEVE						1	
79		NM6080001SC		NUT M8X1.25						1	
80		NM7080032SC		NUT M8						1	
81		SM6030800SP		SCREW M3X0.5 L=8						3	
82		13476759		UPPERROLLERASSY	FOR PL12					1	
83		13473855		UPPER ROLLER	FOR PL13					1	
84		13474101		LEVER FEED ROLLER						1	



PL12/PL13 (2)

No.	Supply Code	Parts No.	Replacement	Parts name	Remarks	Choice	Step	Level	Cons	Qty	Rep. QTY
1		13471701		BRACKET ROLLER LIFTER						1	
2		13477708		PIN 2						1	
3		13474903		PIN						1	
4		SM6061602TP		SCREW M6 L=16						2	
5		13471800		REGULATOR						1	
6		13472303		NUT						1	
7		13472105		SPRING						1	
8		13471909		BAR ROLLER PRESSER						1	
9		RC1200001KP		C-SHAPED SNAP RING						1	
10		13472006		ROLLER PRESS BAR BUSHING						1	
11		SM8060612TP		SCREW M6 L=6						1	
12		13472402		LEVER LIFTER						1	
13		PS0300162KH		SPRING PIN 3X16						1	
14		WP0621016SH		WASHER						1	
15		WZ1052010KP		WAVED WASHER						1	
16		SD0901806TP		SHOULDER SCREW						1	
17		13472501		LIFTER						1	
18		SM6041402TP		SCREW M4 L=14						1	
19		SM8042012TP		SETSCREW						1	
20		NM6040001SP		NUT M4X0.7						1	
21		13472600		LIFTERLEVERFRONT						1	
22		SD0901806TP		SHOULDER SCREW						1	
23		SD0640386TP		SHOULDER SCREW						2	
24		13472907		LIFTER LEVER LINK SHORT						1	
25		RO069180100		RUBBER RING						1	
26		SM6040602TP		SCREW M4 L=6						2	
27		WP0430801SC		WASHER 4.3X9X0.8						2	
28		13473004		COLLAR LIFTER LEVER						2	
29		13473103		LIFTER LEVER LINK LONG						1	
30		70001810		LIFTER LEVER						1	
31		SM6051002TP		SCREW M5X0.8 L=10						2	
32		WS0510002KP		SPRING WASHER 5.1X9.2X1.3						2	
33		WP0531001SE		WASHER 5.3X9.5X0.6						2	
34		40037362		FEED PLATE						1	
35		SM6040450TP		SCREW M4 L=4						1	
36		40037196		LOWER ROLLER BRCKET						1	
37		13302500		DOWEL PIN 2						1	
38		SM6061202TP		SCREW M6 L=12						2	
39		13475306		CLOTH GUARD						1	
40		40037270		LOWER ROLLER SHAFT						1	
41		SM8050612TP		SCREW M5X6						1	
42		SM8050412TP		SCREW M5 L=4						1	
43		13475603		WASHER PLASTIC						2	
44		13476957		LOWERROLLERASSY	FOR PL12					1	
45		40024302		LOWERROLLERASSY	FOR PL13					1	
46		13160007		RING SPANNER	ACCESSO- RIES PARTS					1	





PL12/PL13 (2)

No.	Supply Code	Parts No.	Replacement	Parts name	Remarks	Choice	Step	Level	Cons	Qty	Rep. QTY
47		40026581		REAR ROLLER ASSY 1	ACCESSORIES PARTS					1	
48		40021834		BRACKET REAR ROLLER 1				*		1	
49		40021838		SHAFT REAR ROLLER				*		1	
50		40021837		REAR ROLLER SMALL				*		1	
51		NM7040032SC		HEXAGONAL CAP NUT, TYPE 3 M4				*		1	
52		SM6061002TP		SCREW M6 L=10	ACCESSORIES PARTS					2	
53		13525506		GREASE TUBE	ACCESSORIES PARTS					1	
54		CM300200001		ATTENTION SEAL						1	

## HOW TO MAKE USE OF THIS PARTS LIST

1.As to "#01" and "#02" refer to the "Note" given at the bottom of the respective pages.

2.Codes on the "Qty" column

- Each numeral indicates the number of parts required.
- "0.1" and "2.5" indicate the length (in meters) of the respective parts.

3.Parentheses mean that the corresponding part is a subpart that constructs an assembly part.

4.Dotted lines on the Figures indicate assembly parts.

1. リストページの# 0 1、# 0 2の印は、ページ下の“注記”の説明を参照下さい。
2. 数量欄の数字は、個数を表し、0. 1、2. 5等の数値は、長さ（単位メートル）を表します。
3. 数量欄の（ ）は、組部品を構成している子部品であることを意味します。
4. イラストページの-----枠は、組構成であることを意味します。

ALL PARTS NOT MENTIONED IN THIS PARTS LIST ARE SAME AS THOSE OF  
MODEL MF-7900. OTHER PARTS LIST RELATED TO THIS MODEL.  
\*MF-7900. (NO.1599 PART NO.70002009)

このパーツリスト記載以外の部品はMF-7900.と共通です。  
この機種に関連するパーツリストとして下記のパーツリストがあります。  
\* MF-7900. (NO.1599 品番70002009)

# NUMERICAL INDEX OF PARTS

PART NO	PAGE	REF NO.	PART NO	PAGE	REF NO.	PART NO	PAGE	REF NO.
13160007	6	46	13476601	4	77	SD0901806TP	6	22
13302500	6	37	13476759	4	82	SM1040800SP	4	76
13324504	2	26	13476957	6	44	SM4041055SP	2	75
13324603	2	29	13477302	4	78	SM4041055SP	4	75
13470000	2	1	13477401	2	38	SM4050855SP	4	51
13470109	2	5	13477500	4	70	SM6030800SP	4	81
13470208	2	6	13477708	2	2	SM6040450TP	6	35
13470307	2	7	13477708	6	2	SM6040602TP	6	26
13470505	2	9	13525506	8	53	SM6041402TP	6	18
13470802	2	19	23612609	2	30	SM6051002TP	2	22
13470901	2	25	40021834	8	48	SM6051002TP	6	31
13471008	2	31	40021837	8	50	SM6061002TP	8	52
13471305	2	33	40021838	8	49	SM6061202TP	6	38
13471503	2	34	40023869	4	71	SM6061402TP	2	17
13471602	2	37	40023870	4	62	SM6061602TP	2	53
13471701	6	1	40024302	6	45	SM6061602TP	4	53
13471800	6	5	40026581	8	47	SM6061602TP	6	4
13471909	6	8	40037196	6	36	SM6063502TP	2	4
13472006	6	10	40037270	6	40	SM8040412TP	4	66
13472105	6	7	40037362	6	34	SM8042012TP	6	19
13472204	2	43	70001807	2	16	SM8050412TP	2	59
13472303	6	6	70001808	2	44	SM8050412TP	4	59
13472402	6	12	70001809	2	11	SM8050412TP	6	42
13472501	6	17	70001810	6	30	SM8050612TP	4	61
13472600	6	21	B1426180A00	2	12~15	SM8050612TP	6	41
13472907	6	24	B1426180B00	2	12~15	SM8060552TP	2	10
13473004	6	28	B1426180C00	2	12~15	SM8060612TP	2	45
13473103	6	29	B1426180D00	2	12~15	SM8060612TP	6	11
13473301	4	49	CM300200001	8	54	SM8060842TP	4	68
13473400	4	52	CS1000881TP	2	27	SM9051400SN	4	47
13473509	2	46	GBR01534000	4	74	TA2050406R0	2	21
13473608	4	56	NM6040001SP	6	20	WP0430801SC	6	27
13473855	4	83	NM6050001SP	2	42	WP0522016SH	2	24
13474101	4	84	NM6060001CP	2	20	WP0531001SE	6	33
13474200	4	60	NM6080001SC	4	79	WP0550800SP	4	50
13474903	2	3	NM7040032SC	8	51	WP0551016SH	2	36
13474903	6	3	NM7080032SC	4	80	WP0621016SH	2	18
13475306	6	39	PS0300162KH	6	13	WP0621016SH	6	14
13475603	6	43	RC1200001KP	6	9	WP0820516SP	2	41
13475801	2	35	RE0700000K0	4	57	WP1021026SH	4	58
13475900	4	54	RO069180100	6	25	WS0510002KP	2	23
13476007	4	55	RO078190100	2	40	WS0510002KP	6	32
13476106	4	72	SB308001600	2	39	WZ1052010KP	6	15
13476403	4	67	SB310000900	4	73			
13476502	4	69	SD0640386TP	6	23			