

MODEL : MF-7900 Series

List No : 1598-02

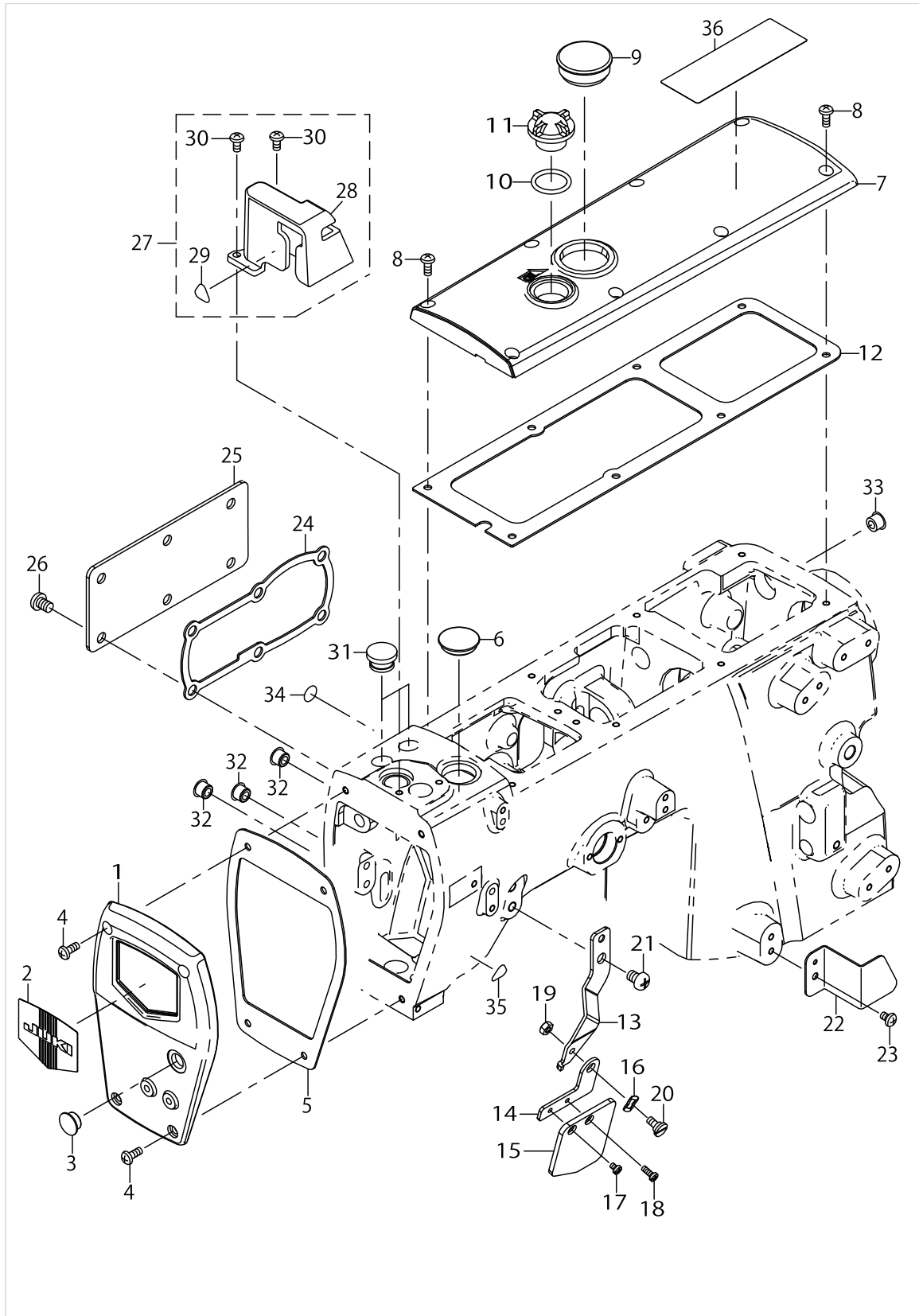
PARTS LIST

Published:05/12/2017

CONTENTS

MISCELLANEOUS COVER COMPONENTS (1).....	1
MISCELLANEOUS COVER COMPONENTS (2).....	3
MAIN SHAFT COMPONENTS	7
NEEDLE BAR & PRESSER COMPONENTS.....	11
FEED DRIVE COMPONENTS (1)	15
FEED DRIVE COMPONENTS (2)	21
THREAD TAKE-UP LEVER COMPONENTS.....	25
SPREADER COMPONENTS.....	29
LOWER THREAD CAM COMPONENTS.....	31
NEEDLE GUARD COMPONENTS	33
LOOPER COMPONENTS	35
THREAD TENSION COMPONENTS	39
LUBRICATION COMPONENTS	41
THREAD STAND COMPONENTS.....	47
NEEDLE COOLING COMPONENTS	49
GAUGE PARTS COMPONENTS	51
ACCESSORIES PARTS COMPONENTS	55
OPTIONAL PARTS COMPONENTS	59
LIST FOR INFORMATION OF CHANGE.....	61
HOW TO MAKE USE OF THIS PARTS LIST	62

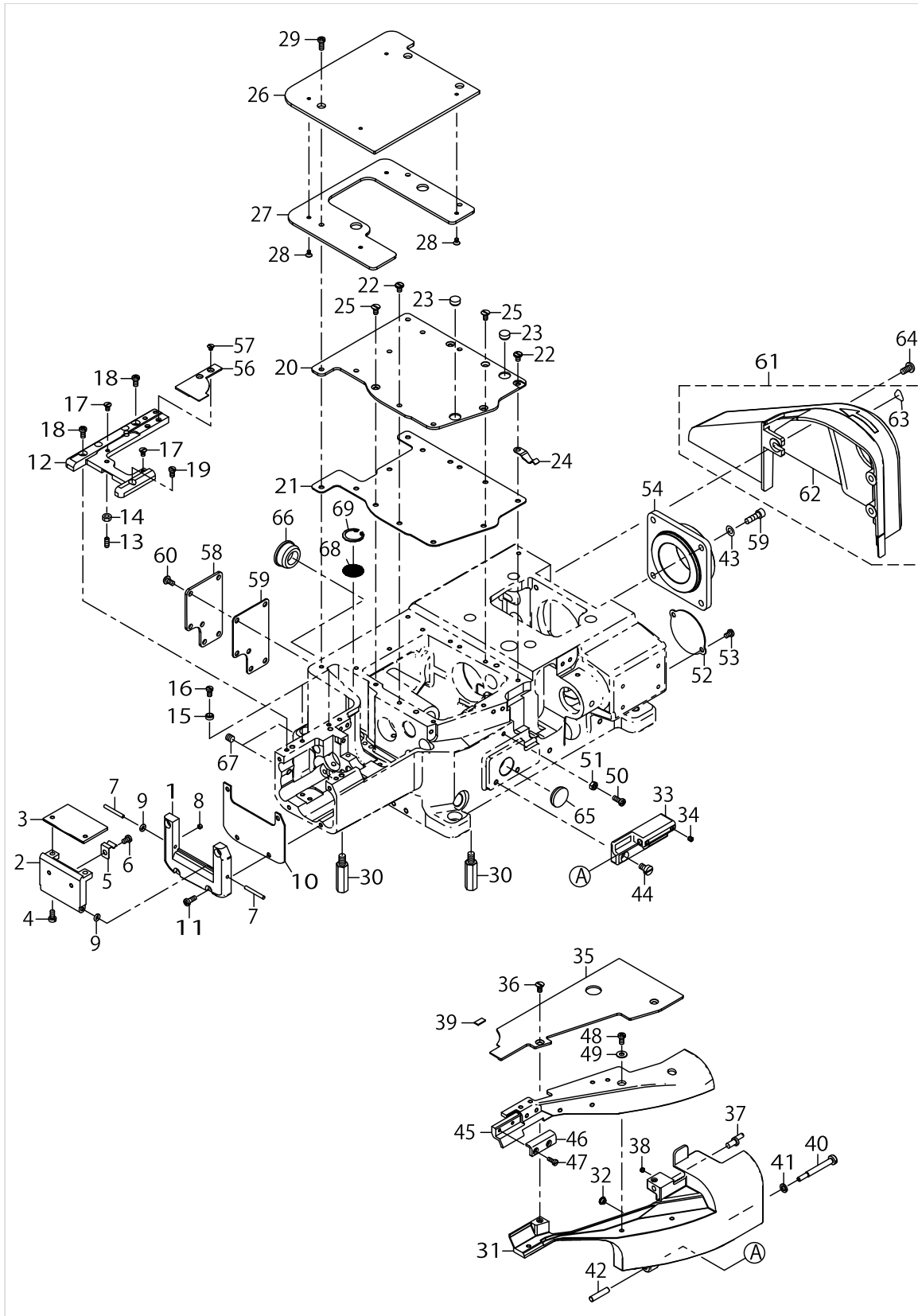
MISCELLANEOUS COVER COMPONENTS (1)



MISCELLANEOUS COVER COMPONENTS (1)

No.	Supply Code	Parts No.	Replacement	Parts name	Remarks	Choice	Step	Level	Cons	Qty	Rep. QTY
1		70001411		FACE COVER						1	
2		22902506		PLATE						1	
3		TA1050504R0		RUBBER PLUG						1	
4		SM4041055SP		SCREW					☆	4	
5		70001416		GASKET H						1	
6		TA2050406R0		RUBBER PLUG						1	
7		70001409		TOP COVER						1	
8		SM4041055SP		SCREW						8	
9		10753309		WINDOW PLATE RUBBER PLUG						1	
10		RO195240100		O-RING						1	
11		22924708		OIL SIGHT WINDOW						1	
12		13300801		GASKET T						1	
13		70001421		BRACKET HOLDER						1	
14		40033341		BRACKET						1	
15		13301700		PROTECTION SHIELD						1	
16		WZ0641510KP		WAVED WASHER 6.4X11X0.3						1	
17		SM4030455SN		SCREW						1	
18		SM4030855SN		SCREW M3 L=8.0						1	
19		NM6040000SN		NUT M4						1	
20		SD0640246SP		SHOULDER SCREW D=6.35 H=2.4						1	
21		SM4060801SE		SCREW						1	
22		70001677		THREAD_COVER						1	
23		SM4040655SP		SCREW M4 L=6						1	
24		13301205		GASKET P						1	
25		13301106		PULLER DRIVE COVER						1	
26		SM4060801SE		SCREW						6	
27		70001837		NEEDLE BAR GUARD ASSY						1	
28		70001407		NEEDLE BAR GUARD				*		1	
29		CM300200001		FINGER INJURY CAUTION LABEL (16)				*		1	
30		SM4040855SP		SCREW				*		2	
31		TA1250705R0		RUBBER PLUG						2	
32		TA0850604R0		RUBBER PLUG						3	
33		TA0850604R0		RUBBER PLUG						1	
34		22901805		GROUND MARK						1	
35		CM300200001		ATTENTION SEAL						1	
36		CM301300001		SAFETY LABEL						1	

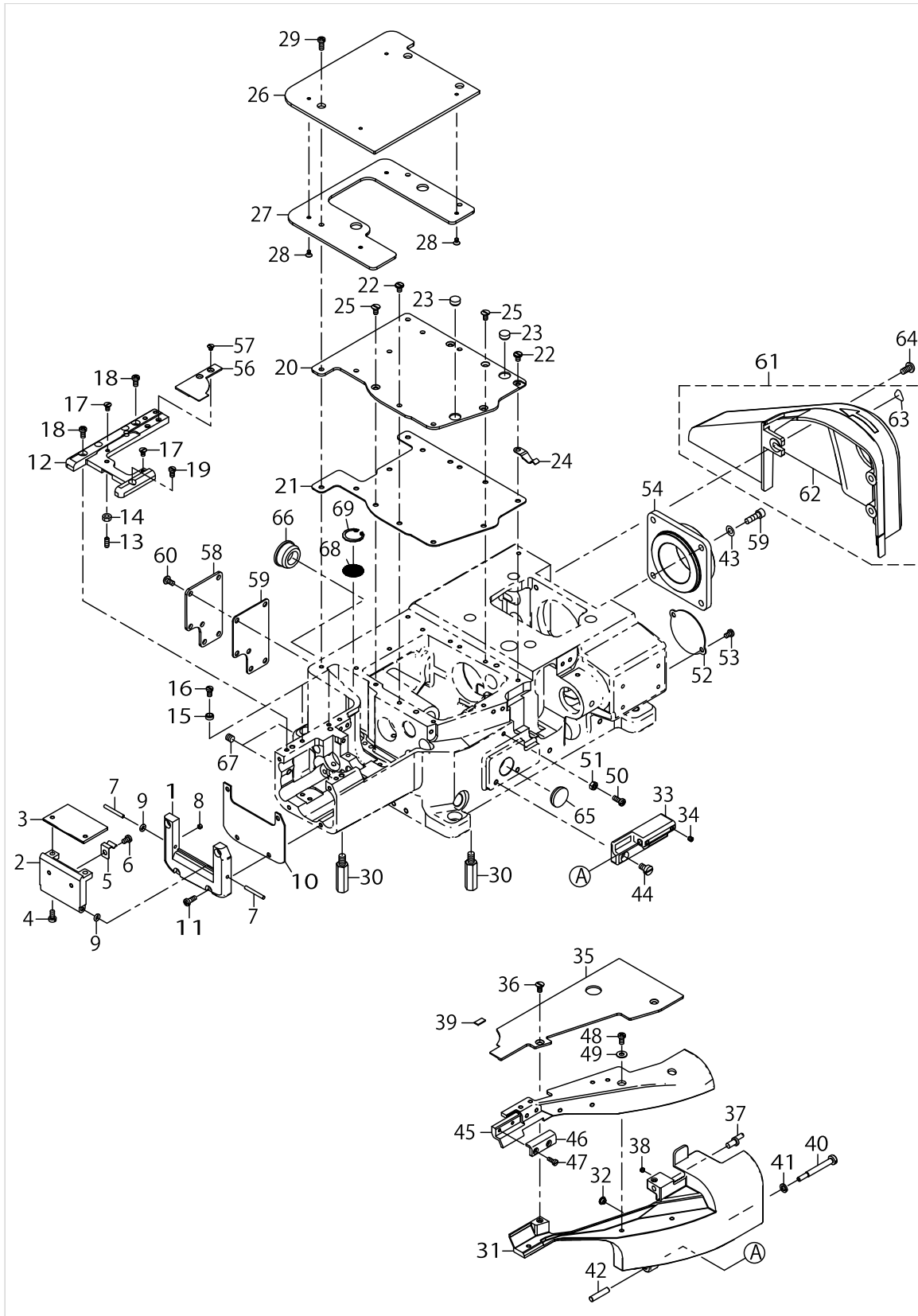
MISCELLANEOUS COVER COMPONENTS (2)



MISCELLANEOUS COVER COMPONENTS (2)

No.	Supply Code	Parts No.	Replacement	Parts name	Remarks	Choice	Step	Level	Cons	Qty	Rep. QTY
1		70001657		CYLINDER COVER						1	
2		70001655		SIDECOVERBOTTOM						1	
3		70001653		SIDE COVER UPPER						1	
4		SM6040800SP		SCREW						2	
5		13401906		LATCH SPRING 2						1	
6		SM4040655SP		SCREW M4 L=6						1	
7		PH0300252C0		PARALLEL PIN TYPE B 3X25						2	
8		SM8040360TP		SCREW						2	
9		RO037180100		RUBBER RING						2	
10		70001661		GASKET						1	
11		SM4041055SP		SCREW						4	
12		70001667		THROAT PLATE SUPPORT						1	
13		SM8041012TP		SCREW M4 L=10						1	
14		NM6040000SN		NUT M4						1	
15		40082196		ADJUSTING COLLAR					☆	2	
16		SM6040750TP		SCREW M4 L=7					☆	2	
17		13302203		SCREW						2	
18		SM4040855SP		SCREW						2	
19		SM6040750TP		SCREW M4 L=7						1	
20		70004366		COVER_PLATE						1	
21		70001663		GASKET B						1	
22		SM6040800SP		SCREW						6	
23		TA0980502R0		RUBBER PLUG						2	
24		13402003		LATCH SPRING					☆	1	
25		SM1040860SP		SCREW						4	
26		70001668		CLOTH PLATE REAR						1	
27		70001670		CLOTH PLATE REAR LOWER						1	
28		SM1030501SN		SCREW						2	
29		SM4041055SP		SCREW						3	
30		13301809		SUPPORT STUD						4	
31		70001650		SWING DOWN COVER						1	
32		13302302		RUBBER BUMPER						1	
33		70004374		HINGE						1	
34		SM8040412TP		SET SCREW M4 L=4						2	
35		70001671		CLOTHPLATEFRONT						1	
36		SM1040800SP		SCREW						2	
37		13402706		PIN FOR COVER						1	
38		SM8040360TP		SCREW						1	
39		13403605		RUBBER_PLATE						1	
40		70001414		SCREW						1	
41		WS0510002KP		SPRING WASHER 5.1X9.2X1.3						1	
42		13409800		DIFF LINK PIN						1	
43		WP0531000SD		WASHER M5						4	
44		SM6050800SP		SCREW M5 L=8						2	
45		70001652		BRACKET						1	
46		70001678		BRACKET						1	

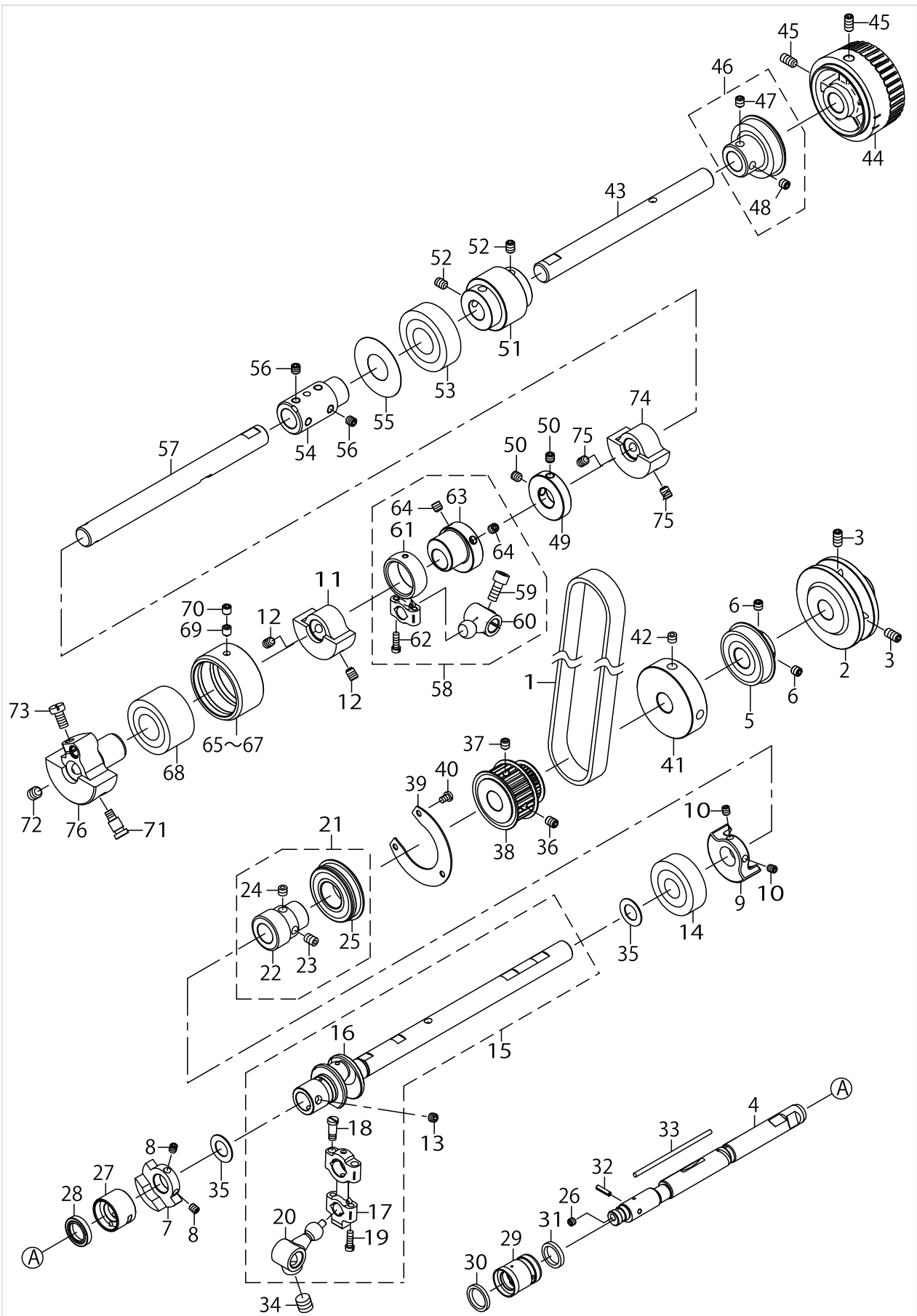
MISCELLANEOUS COVER COMPONENTS (2)



MISCELLANEOUS COVER COMPONENTS (2)

No.	Supply Code	Parts No.	Replacement	Parts name	Remarks	Choice	Step	Level	Cons	Qty	Rep. QTY
47		SM6030800SP		SCREW M3X0.5 L=8					☆	2	
48		SM4040855SP		SCREW					☆	2	
49		WP0450801SC		WASHER 4.5X10X0.8						2	
50		SM4041055SP		SCREW						1	
51		NM6040000SN		NUT M4						1	
52		70004372		LOOPER_THD_COVER						1	
53		SM4040655SP		SCREW M4 L=6						2	
54		70001436		HOUSING						1	
55		SM6051602TP		SCREW M5X0.8 L=16						4	
56	R	70001645	13401401	THROAT PLATE SUPPORT COVER						1	1.00
57		SM1030400SP		SCREW M3 L=4						2	
58		70001642		COVER FOR FEED ADJUST						1	
59		70001643		COVER FOR FEED ADJUST PACKING						1	
60		SM4040855SP		SCREW						6	
61		70001831		DRIVING BELT COVER ASSY						1	
62		70001830		DRIVINGBELTCOVER				*		1	
63		CM300200001		ATTENTION SEAL				*		1	
64		SM4051055SP		SCREW						1	
65		TA2000502R0		RUBBER PLUG						1	
66		TA2351004R0		RUBBER PLUG						1	
67		SM8060612TP		SCREW M6 L=6						2	
68		13426903		MESH PLATE						1	
69		RC1900002KP		C-RING						1	

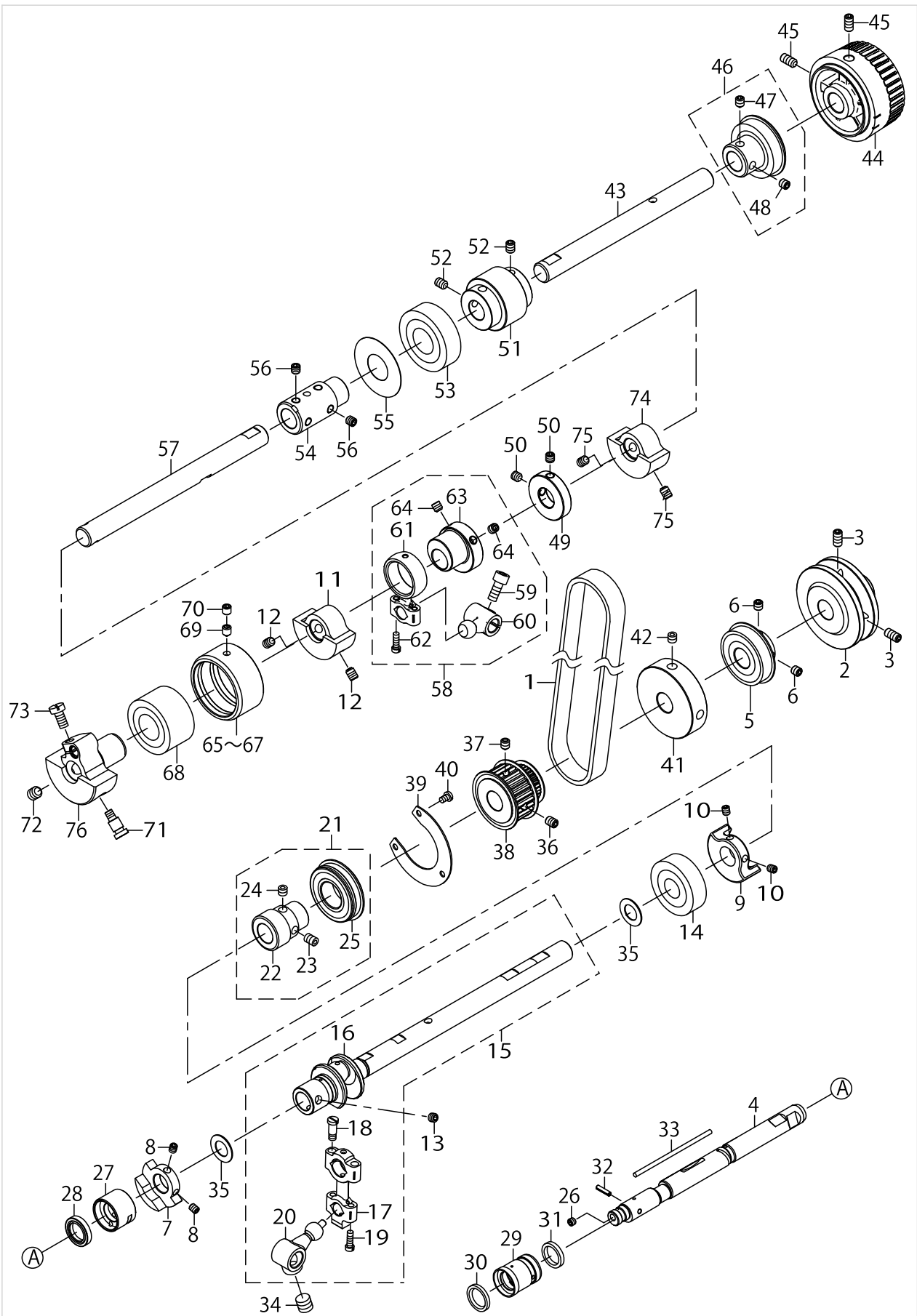
MAIN SHAFT COMPONENTS



MAIN SHAFT COMPONENTS

No.	Supply Code	Parts No.	Replacement	Parts name	Remarks	Choice	Step	Level	Cons	Qty	Rep. QTY
1		13406905		TIMING BELT						1	
2		13406707		LOWER_PULLEY						1	
3		SM8061212TP		SCREW M6X12						2	
4		70001681		LOWER_MAINSHAFT_LEFT						1	
5		70004640		COUPLING_E_ASSY						1	
6		SM8060612TP		SCREW M6 L=6						2	
7		13408406		BALANCE WEIGHT LMS 1						1	
8		SM8050612TP		SCREW M5X6						2	
9		13408505		BALANCE WEIGHT LMS 2						1	
10		SM8050612TP		SCREW M5X6						2	
11		13408307		BALANCE_WEIGHT_UMS	FOR PL11,PL12					1	
12		SM8060812TP		SCREW M6 L=8	FOR PL11,PL12					2	
13		SM8060552TP		SCREW M6 L=5						2	
14		SB115002300		BEARING						1	
15		70001680		LMS RIGHT ROD ASSY						1	
16	R	70001687	70001680	LMS RIGHT				*		1	1.00
17		70001685		LOOPER ROD				*		1	
18		SD055090CTP		SHOULDER SCREW D=5.5 H=9				*		2	
19		13324108		SCREW				*		2	
20		70001686		CRANK				*		1	
21		70004489		LMS_WORM_ASSY						1	
22		13308507		COUPLING D				*		1	
23		SM8060552TP		SCREW M6 L=5				*		2	
24		SM8060842TP		SCREW M6 L=8				*		1	
25		70004484		BEARING				*		1	
26		SM8050412TP		SCREW M5 L=4						1	
27		70001682		BUSHING LMS MIDDLE						1	
28		13408703		OIL SEAL						1	
29		70001683		BUSHING LMS LEFT						1	
30		13407903		OIL SEAL						1	
31		13408604		FELT LMS LEFT BUSH						1	
32		PS0300122KH		SPRING PIN 3X12						1	
33		CQ300000001		OIL WICK						.075	
34		SM8550952TP		SCREW						1	
35		40017824		LOOPER LOD STOPPER						2	
36		SM8060812TP		SCREW M6 L=8						1	
37		SM8060842TP		SCREW M6 L=8						1	
38		70004184		LMS SPROCKET						1	
39		70001451		THRUST PLATE						1	
40		SM4040655SP		SCREW M4 L=6						3	
41		70003316		FLY_WHEEL						1	
42		SM8060612TP		SCREW M6 L=6						2	
43		70001437		UPPER MAINSHAFT RIGHT						1	
44		70001439		UPPER_PULLEY						1	
45		SM8061212TP		SCREW M6X12						2	
46		13307251		BEARING ASSY A						1	

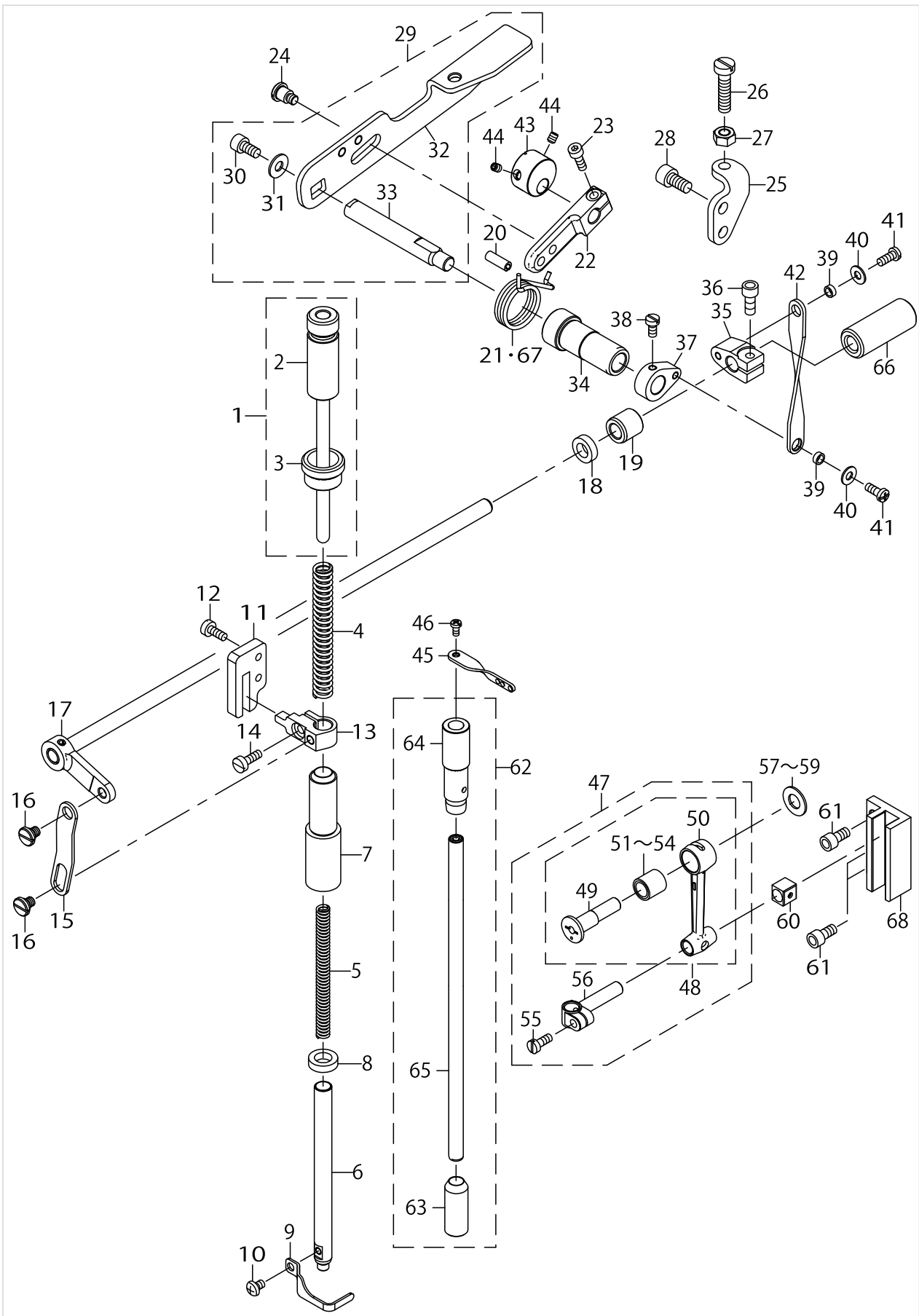
MAIN SHAFT COMPONENTS



MAIN SHAFT COMPONENTS

No.	Supply Code	Parts No.	Replacement	Parts name	Remarks	Choice	Step	Level	Cons	Qty	Rep. QTY
47		SM8060842TP		SCREW M6 L=8				*		1	
48		SM8060612TP		SCREW M6 L=6				*		1	
49		70001443		COLLAR						1	
50		SM8060612TP		SCREW M6 L=6						2	
51		13307301		UMS SPROCKET						1	
52		SM8060812TP		SCREW M6 L=8						4	
53		SB120002200		BEARING						1	
54		70001440		COUPLING B						1	
55		70001638		BEARING COVER PLATE						1	
56		SM8060612TP		SCREW M6 L=6						4	
57		70001441		UPPER MAINSHAFT LEFT						1	
58		70001442		TAKE UP ROD ASSY						1	
59		SM6061402TP		SCREW M6 L=14				*		1	
60		70001535		CRANK				*		1	
61		70001536		ROD				*		1	
62		13324108		SCREW				*		2	
63		70001444		TAKE UP ECCENTRIC				*		1	
64		SM8060612TP		SCREW M6 L=6				*		2	
65		13307806		HOUSING A	SELECTIVE PARTS					1	
66		13309307		HOUSING B	SELECTIVE PARTS					1	
67		13309406		HOUSING C	SELECTIVE PARTS					1	
68		SB120001900		BEARING						1	
69		SM8060842TP		SCREW M6 L=8						1	
70		SM8060612TP		SCREW M6 L=6						1	
71		13309208		SCREW FOR COUNTERWEIGHT						1	
72		SM8080812TP		SCREW M8X8						1	
73		SM6061200SP		SCREW						1	
74		13307707		COUNTER WEIGHT	EXCEPT PL11,PL12					1	
75		13408307		BALANCE WEIGHT UMS	EXCEPT PL11,PL12					1	
76		SM8060812TP		SCREW M6 L=8						2	

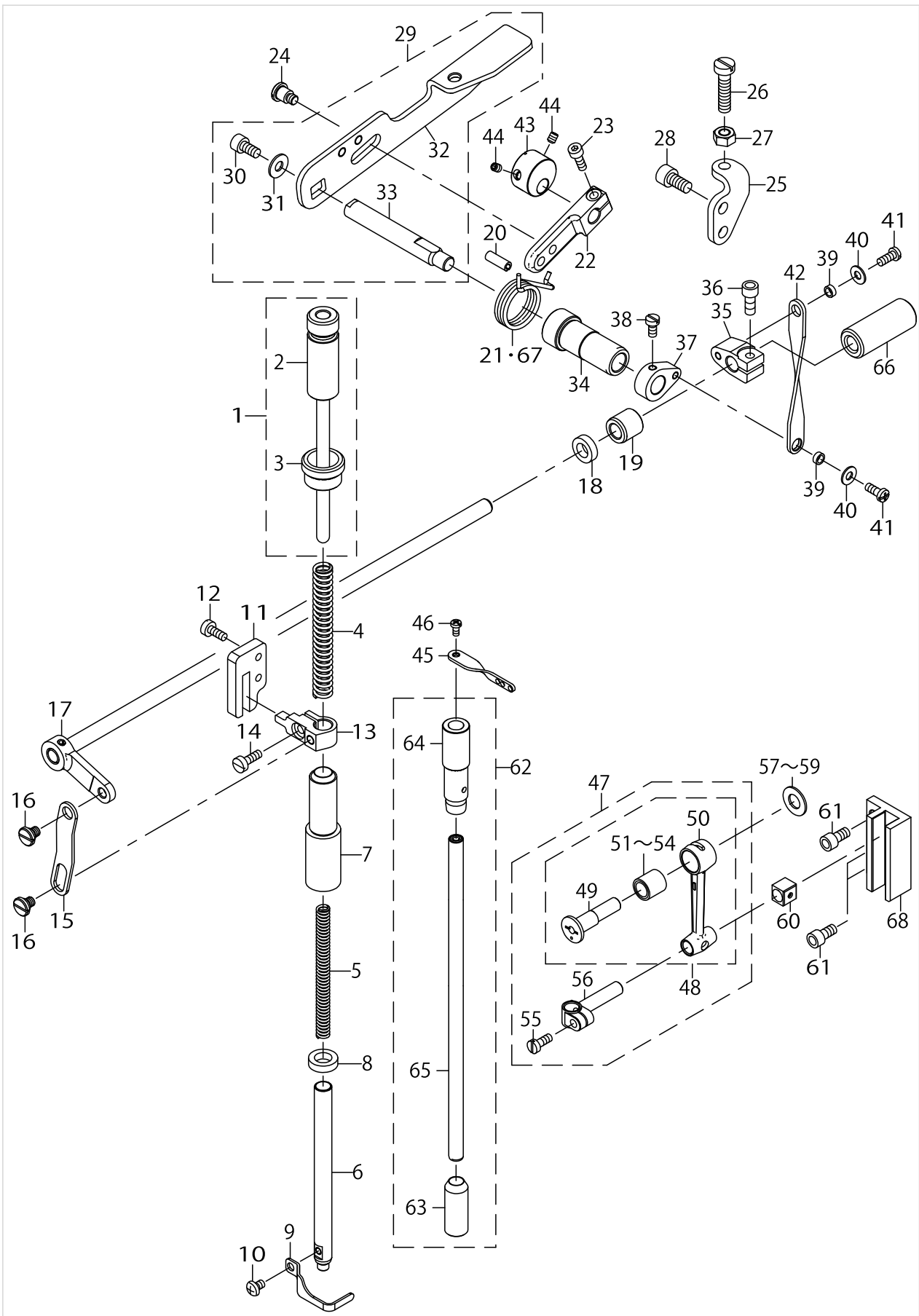
NEEDLE BAR & PRESSER COMPONENTS



NEEDLE BAR & PRESSER COMPONENTS

No.	Supply Code	Parts No.	Replacement	Parts name	Remarks	Choice	Step	Level	Cons	Qty	Rep. QTY
1		40070574		ADJ SCREW P B NUT ASSY						1	
2		40070573		ADJ SCREW P B ASSY				*		1	
3	R	13313101	13313068	LOCKING NUT				*		1	1.00
4		13313309		SPRING PRESSER BAR A						1	
5		70001480		SPRING PRESSER BAR B						1	
6		70001481		PRESSER BAR						1	
7		70001499		BUSHING_PRESSER_BAR						1	
8		13315908		OIL SEAL						1	
9		70001483		FINGER GUARD						1	
10		SM4040655SP		SCREW M4 L=6					☆	1	
11		13313804		GUIDE PLATE						1	
12		SM6041000SP		SCREW M4 L=10						2	
13		70001485		PRESSER BAR BRACKET						1	
14		SM6041200SP		SCREW M4 L=12						1	
15		13314109		LINK						1	
16		SD0700206TP		SHOULDER SCREW D=7 H=2						2	
17		13314356		ASSY LIFTER SHAFT						1	
18		23537202		HOOK SHAFT OIL SEAL						1	
19		70001486		BUSHING LIFTER FRONT						1	
20		PS0500142KP		SPRING PIN TYPE W 5X14						1	
21		70001498		SPRING LIFTER LEVER	EXCEPT UT52					1	
22		70001494		TENSION RELEASE LEVER						1	
23		SM6041202TP		SCREW M4X0.7 L=12						1	
24		SD0700586TP		SHOULDER SCREW D=7 H=5.8						1	
25		70001495		LIFTER LEVER STOPPER						1	
26		SM6062550TP		SCREW M6 L=25					☆	1	
27		NM6060001CP		NUT M6X1 TYPE1						1	
28		SM6061202TP		SCREW M6 L=12						2	
29		70001487		LIFTER LEVER ASSY						1	
30		SM6051002TP		SCREW M5X0.8 L=10				*		1	
31		WP0551016SH		WASHER 5.5X13X1				*		1	
32		70001488		LIFTER LEVER				*		1	
33		70001489		LIFTER LEVER SHAFT				*		1	
34		70001490		BUSHING LIFTER LEVER						1	
35		70001478		LIFTER SHAFT LEVER						1	
36		SM6051202TP		SCREW M5X0.8 L=12						1	
37		70001477		LIFTER LEVER COLLAR						1	
38		SM6040800SP		SCREW						1	
39		70001491		SPACER						2	
40		WP0450826SC		WASHER 4.5X10X0.8						2	
41		SM4041055SP		SCREW						2	
42		70001492		LIFTER LEVER LINK						1	
43		70001493		MINUTES LIFTING COLLAR						1	
44		SM8040512TP		SCREW						2	
45		13326806		NEEDLE BAR EYELET						1	
46		SM4030855SN		SCREW M3 L=8.0						1	

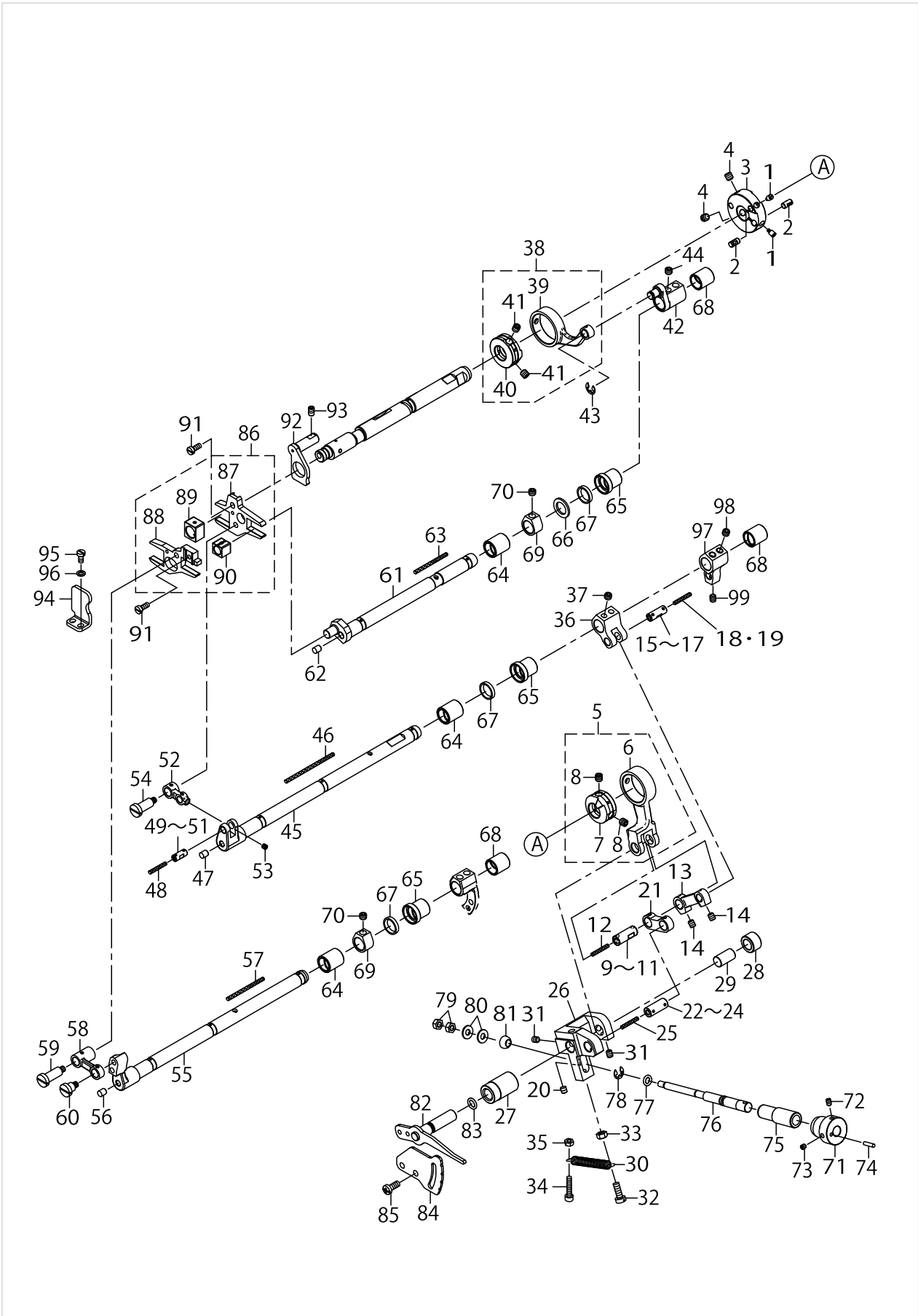
NEEDLE BAR & PRESSER COMPONENTS



NEEDLE BAR & PRESSER COMPONENTS

No.	Supply Code	Parts No.	Replacement	Parts name	Remarks	Choice	Step	Level	Cons	Qty	Rep. QTY
47		13311253		ASSY NEEDLE MECH						1	
48		70004371		ASSY_CONNECTING_ROD				*		1	
49	R	13311006	13311253	ECCENTRIC PIN				*		1	1.00
50	R	13311204	13311253	CONNECTING ROD				*		1	1.00
51	D	SB30800110A		BEARING	SELECTIVE PARTS			*		1	
52		SB30800110B		BEARING	SELECTIVE PARTS			*		1	
53		SB30800110C		BEARING	SELECTIVE PARTS			*		1	
54		SB30800110D		BEARING	SELECTIVE PARTS			*		1	
55		SM6041000SP		SCREW M4 L=10				*		1	
56		13311303		NEEDLE BAR CLAMP				*		1	
57		13312103		THRUST WASHER	SELECTIVE PARTS					1	
58		13312202		THRUST WASHER	SELECTIVE PARTS					1	
59		13312301		THRUST WASHER	SELECTIVE PARTS					1	
60		13311501		SLIDE BLOCK						1	
61		SM6051202TP		SCREW M5X0.8 L=12						3	
62		13311956		ASSY BUSHING NB						1	
63	R	13311907	13311956	BUSHING NB LOWER				*		1	1.00
64	R	13311808	13311956	BUSHING NB UPPER				*		1	1.00
65		13311451		NEEDLE BAR ASSY				*		1	
66		70001500		BUSHING LIFTER REAR						1	
67		13315205		SPRING LIFTER LEVER	FOR UT52					1	
68		13311600		NEEDLE BAR GUIDE						1	

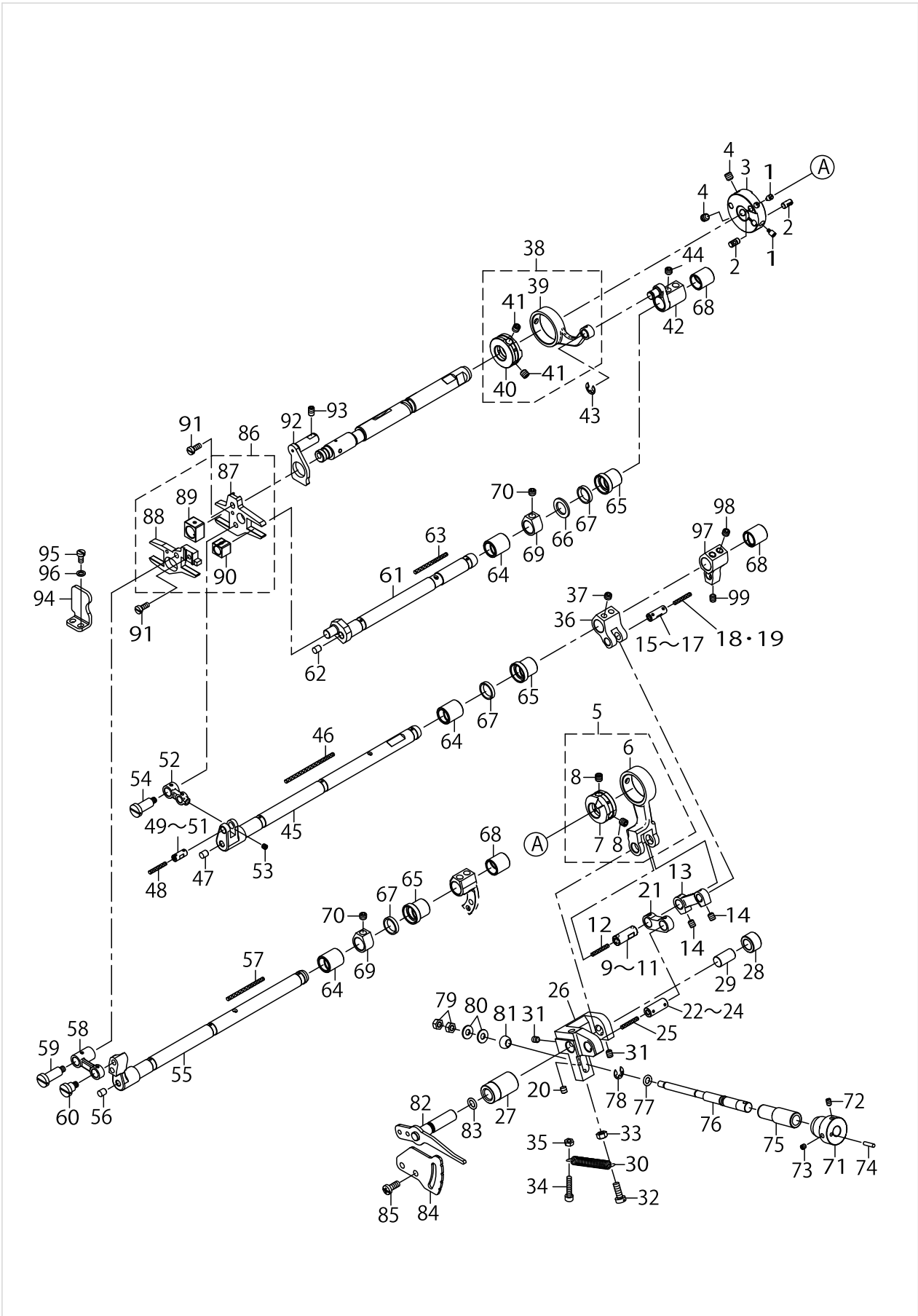
FEED DRIVE COMPONENTS (1)



FEED DRIVE COMPONENTS (1)

No.	Supply Code	Parts No.	Replacement	Parts name	Remarks	Choice	Step	Level	Cons	Qty	Rep. QTY
1		70001524		FEED ECCENTRIC SCREW						2	
2		70001525		FEED ECCENTRIC PIN						2	
3		70001697		POSITIONING CAM						1	
4		SM8060612TP		SCREW M6 L=6						2	
5		70001720		FEED ECCENTRIC HORIZON						1	
6		70001700		CRANK ROD				*		1	
7	R	70001715	70001720	FEED ECCENTRIC HORIZON				*		1	1.00
8		SM8060612TP		SCREW M6 L=6				*		2	
9		13323308		FEED ADJ LINK PIN A	SELECTIVE PARTS					1	
10		13323407		FEED ADJ LINK PIN B	SELECTIVE PARTS					1	
11		13323506		FEED ADJ LINK PIN C	SELECTIVE PARTS					1	
12		CQ303000000		OIL WICK						.07	
13		13410204		MAIN ADJ LINK						1	
14		SM8050612TP		SCREW M5X6						2	
15		13318704		MAIN FEED CRANK PIN A	SELECTIVE PARTS					1	
16		13318803		MAIN FEED CRANK PIN B	SELECTIVE PARTS					1	
17		13318902		MAIN FEED CRANK PIN C	SELECTIVE PARTS					1	
18		CQ202000000		OIL WICK						.02	
19		CQ303000000		OIL WICK						.04	
20		SM8050612TP		SCREW M5X6						1	
21		13317300		ADJUST LINK						1	
22		13410600		FEED ADJ LINK PIN A	SELECTIVE PARTS					1	
23		13410709		FEED ADJ LINK PIN B	SELECTIVE PARTS					1	
24		13410808		FEED ADJ LINK PIN C	SELECTIVE PARTS					1	
25		CQ303000000		OIL WICK						.07	
26		13415708		FEED ADJ BLOCK						1	
27		70001702		BUSHING MAIN FEED ADJ						1	
28		70001703		BUSHING MAIN FEED ADJ						1	
29		13415906		SHAFT FEED ADJ BLOCK						1	
30		B2546232000		PRESSURE SPRING						1	
31		SM8050612TP		SCREW M5X6						4	
32		SM6051400SP		SCREW						1	
33		NM6050001SC		NUT M5X0.8 TYPE1						1	
34		SM6042002TP		SCREW M4X0.7 L=20						1	
35		NM6040000SN		NUT M4						1	
36		13411509		MAIN FEED CRANK						1	
37		SM8060552TP		SCREW M6 L=5						2	
38		70001721		FEED ECCENTRIC VERTICAL						1	
39		70001701		FEED LIFT ROD				*		1	
40	R	70001716	70001721	FEED ECCENTRIC VERTICAL				*		1	1.00
41		SM8060612TP		SCREW M6 L=6				*		2	
42		13414404		FEED LIFT LEVER						1	
43		RE0500000K0		E-RING						1	
44		SM8060552TP		SCREW M6 L=5						2	
45		70001765		MAIN FEED SHAFT						1	
46		CQ300000001		OIL WICK						1.5	

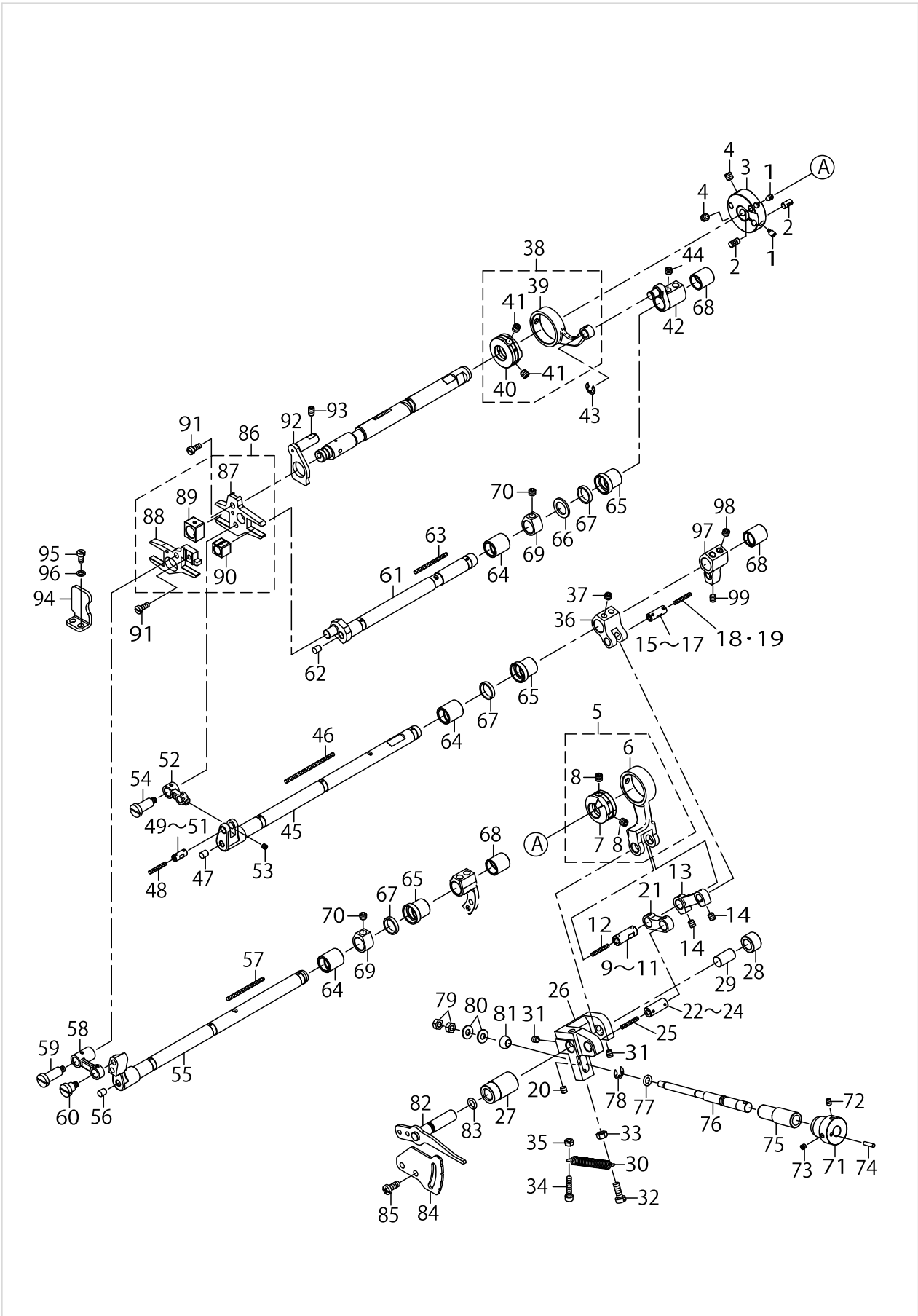
FEED DRIVE COMPONENTS (1)



FEED DRIVE COMPONENTS (1)

No.	Supply Code	Parts No.	Replacement	Parts name	Remarks	Choice	Step	Level	Cons	Qty	Rep. QTY
47		TA0500601M0		PLUG D=5X5.4 L=6						1	
48		CQ200000000		OIL WICK						.07	
49		13412002		MAIN FEED LINK PIN A	SELECTIVE PARTS					1	
50		13412101		MAIN FEED LINK PIN B	SELECTIVE PARTS					1	
51		13412200		MAIN FEED LINK PIN C	SELECTIVE PARTS					1	
52		13411905		MAIN FEED LINK						1	
53		SM8040412TP		SET SCREW M4 L=4						1	
54		SD080163CTH		SHOULDER SCREW D=8 H=16.3						1	
55		70001699		DIFF FEED SHAFT						1	
56		TA0500601M0		PLUG D=5X5.4 L=6						1	
57		CQ300000001		OIL WICK						1	
58		13413604		DIFF FEED LINK						1	
59		SD080186CTH		SHOULDER SCREW D=8 H=18.6						1	
60		SD080062CTH		SHOULDER SCREW D=8 H=6.2						1	
61		13414503		FEED LIFT SHAFT						1	
62		TA0500601M0		PLUG D=5X5.4 L=6						1	
63		CQ300000001		OIL WICK						.67	
64		13411707		BUSHING FEED MECH						3	
65		70001705		BUSHING FEED MECH						3	
66		13409107		WASHER						1	
67		70001403		OIL SEAL						3	
68		70001706		BUSHING FEED MECH						3	
69		13411806		COLLAR						2	
70		SM8060552TP		SCREW M6 L=5						2	
71		13318001		KNOB FEED ADJUST						1	
72		SM8040602TP		SCREW M4X0.7 L=6						1	
73		SM8040412TP		SET SCREW M4 L=4						1	
74		B3215470000		PIN						1	
75		13411400		BUSHING FEED ADJ						1	
76		13411301		SHAFT FEED ADJ						1	
77		RO055200100		RUBBER RING						1	
78		RE0500000K0		E-RING						1	
79		NM6050001SC		NUT M5X0.8 TYPE1						1	
80		13120605		WASHER						2	
81		13318308		STOPPER FEED ADJUST						1	
82		13411152		INDICATOR ASSY						1	
83		RO068190100		RUBBER RING						1	
84		13411202		PLATE MAIN FEED ADJ						1	
85		SM4051255SP		SCREW.,M5 L=12.						2	
86		13413950		FEED BAR ASSY						1	
87		13413901		MAIN FEED BAR					*	1	
88	R	13414008	13413950	DIFF FEED BAR					*	1	1.00
89		13413703		SLIDE BLOCK 1					*	1	
90		13413802		SLIDE BLOCK 2					*	1	
91		SM6041000SP		SCREW M4 L=10						2	
92		13414107		FEED BAR GUIDE 1						1	

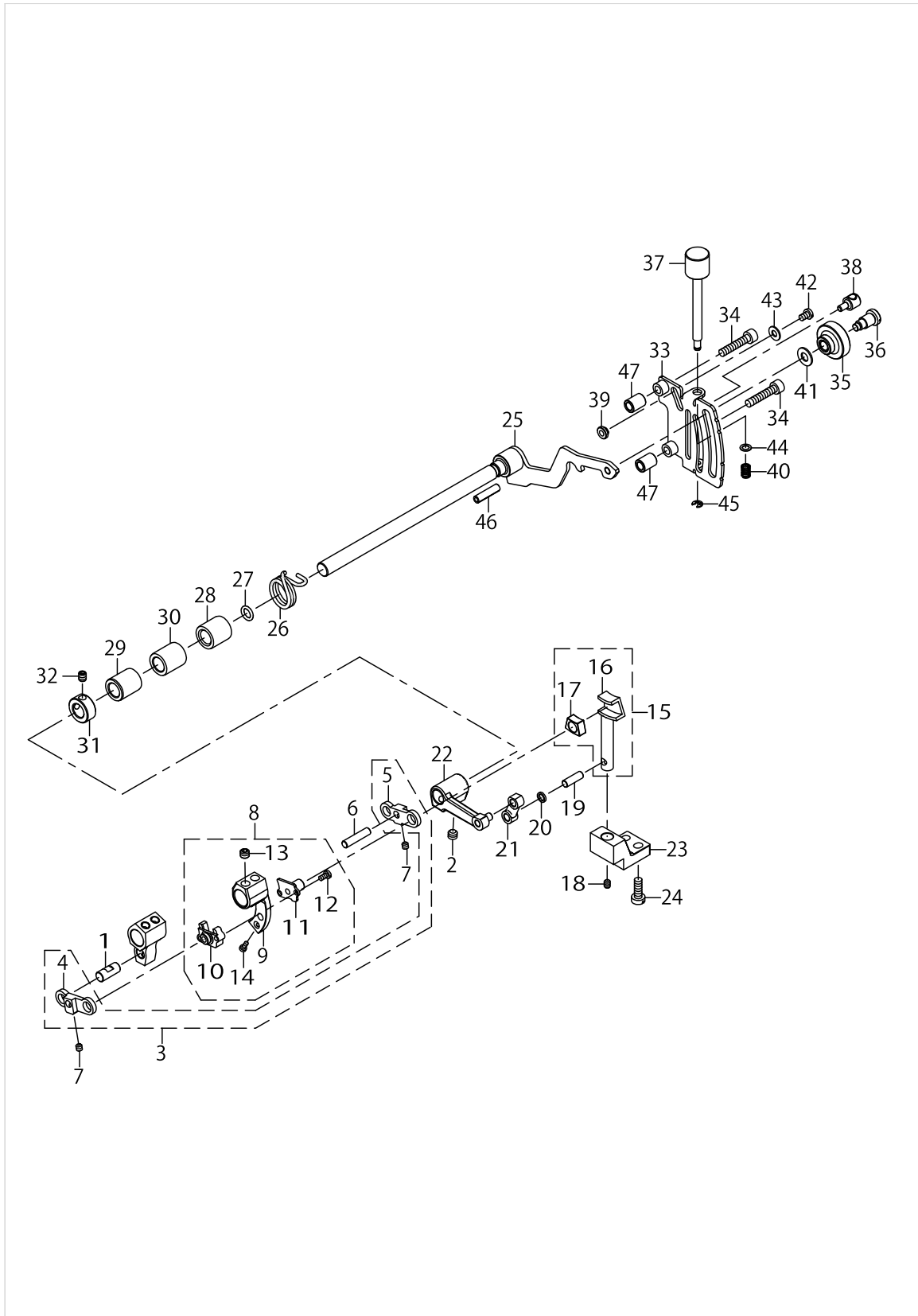
FEED DRIVE COMPONENTS (1)



FEED DRIVE COMPONENTS (1)

No.	Supply Code	Parts No.	Replacement	Parts name	Remarks	Choice	Step	Level	Cons	Qty	Rep. QTY
93		SM8050812TP		SCREW M5X8						1	
94		13414206		FEED BAR GUIDE 2						1	
95		SM6040800SP		SCREW						2	
96		WP0450846SP		WASHER						2	
97		70001714		DIFF FEED CRANK						1	
98		SM8060552TP		SCREW M6 L=5						2	
99		SM8050612TP		SCREW M5X6						1	

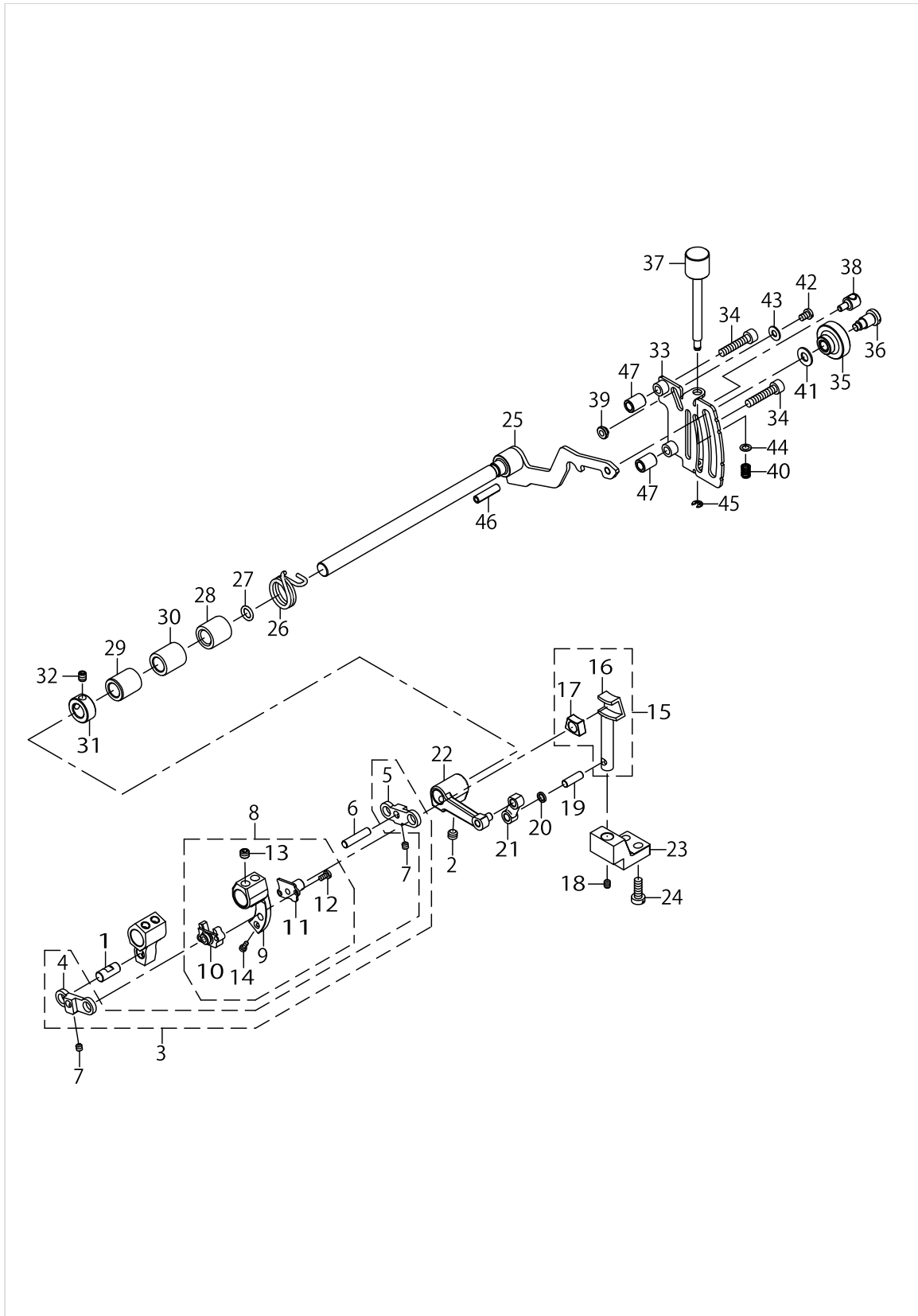
FEED DRIVE COMPONENTS (2)



FEED DRIVE COMPONENTS (2)

No.	Supply Code	Parts No.	Replacement	Parts name	Remarks	Choice	Step	Level	Cons	Qty	Rep. QTY
1		13409909		DIFF FEED CRANK PIN						1	
2		SM8060552TP		SCREW M6 L=5						2	
3		13409651		DIFF DRIVE LINK ASSY						1	
4		13409602		DIFF DRIVE LINK L				*		1	
5		13409701		DIFF DRIVE LINK R				*		1	
6		13409800		DIFF LINK PIN						1	
7		SM8040412TP		SET SCREW M4 L=4						2	
8		13416052		DIFF FEED ARM ASSY						1	
9		13416003		DIFF FEED ARM				*		1	
10	R	13416102	13416052	DIFF FEED PIN 1				*		1	1.00
11	R	13416201	13416052	DIFF FEED PIN 2				*		1	1.00
12		SM6030650TP		SCREW				*		2	
13		SM8060552TP		SCREW M6 L=5				*		2	
14		SM4850455SP		SCREW				*		1	
15		13416458		SLIDER GUIDE ASSY						1	
16		13416409		SLIDER GUIDE				*		1	
17		13416607		SLIDER				*		1	
18		SM8040612TP		SCREW M4 L=6						1	
19		13416508		PIN DIFF ADJ						1	
20		13412705		SPACER						1	
21		13413208		DIFF ADJ LINK						1	
22		13416854		DIFF ADJ LEVER ASSY						1	
23		13416706		SLIDER GUIDE BLOCK						1	
24		SM6051400SP		SCREW						2	
25		70001707		DIFF ADJ LEVER ASSY						1	
26		40040208		TORSION SPRING						1	
27		RO068190100		RUBBER RING						1	
28		70001709		BUSHING FEED ADJ						1	
29		70001710		BUSHING FEED ADJ						1	
30		70001711		BUSHING FEED ADJ						1	
31		CS1000881TP		THRUST COLLAR						1	
32		SM8050612TP		SCREW M5X6						2	
33		40040155		PLATE DIFF ADJ LEVER						1	
34		SM6052502TP		SCREW M5X0.8 L=25						2	
35		13217500		DIFFERENTIAL FEED LOCK NUT						1	
36		13217401		DIFFERENTIAL FEED HINGE SCREW						1	
37		70001718		SCREW						1	
38		13217708		DIFFERENTIAL FEED BLOCK						1	
39		13321203		STOPPER DIFF ADJ						1	
40		13123302		ADJUSTING SPRING						1	
41		WP0621016SD		WASHER 6.2X13X1						1	
42		SM4040655SP		SCREW M4 L=6					☆	1	
43		WP0450826SC		WASHER 4.5X10X0.8						1	
44		WP0460556SD		WASHER 4.6X7.5X0.5						1	
45		RE0300000K0		E-RING 3						1	
46		PS0500202KP		SPRING PIN 5X20						1	

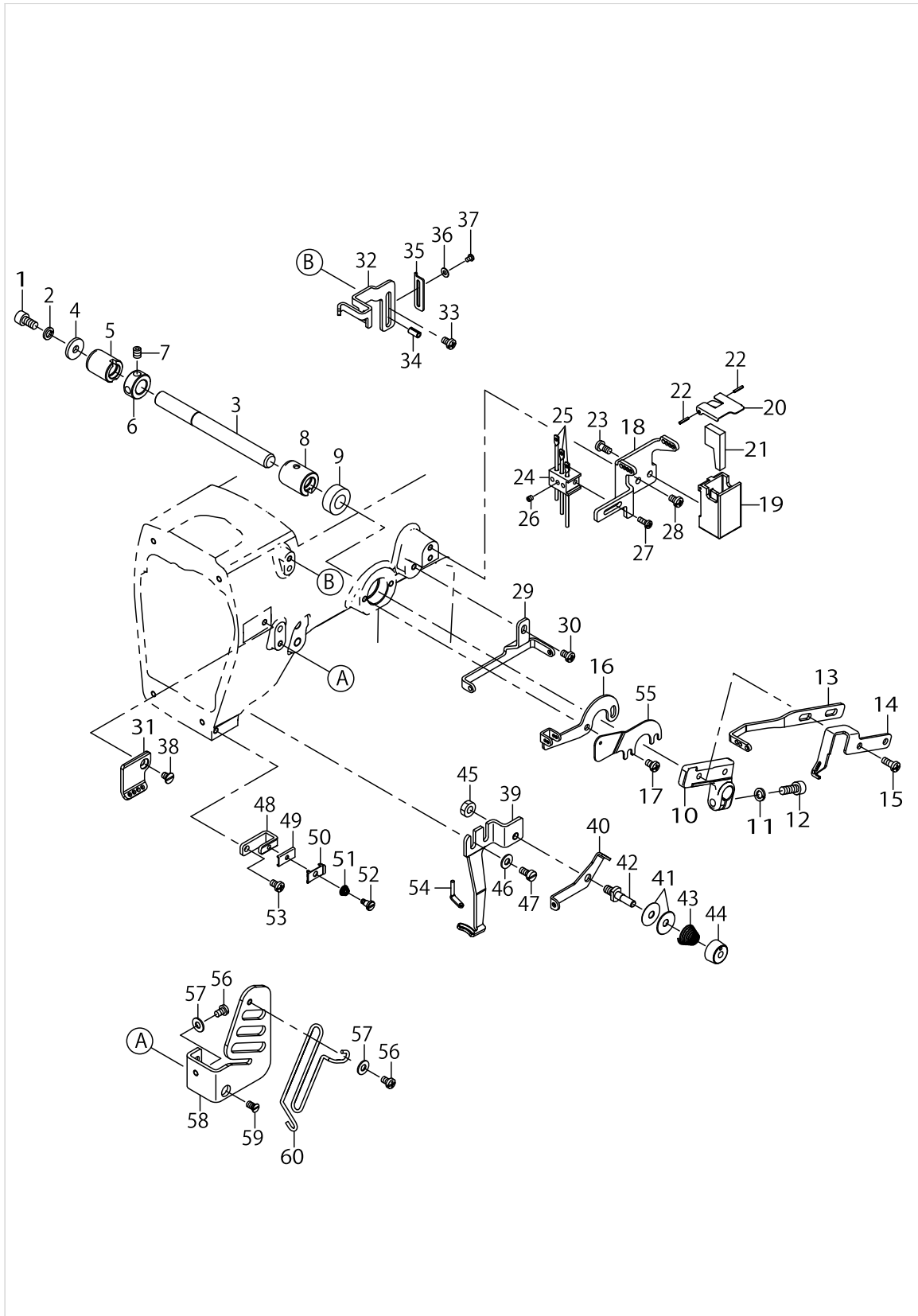
FEED DRIVE COMPONENTS (2)



FEED DRIVE COMPONENTS (2)

No.	Supply Code	Parts No.	Replacement	Parts name	Remarks	Choice	Step	Level	Cons	Qty	Rep. QTY
47		70001712		COLLAR						2	

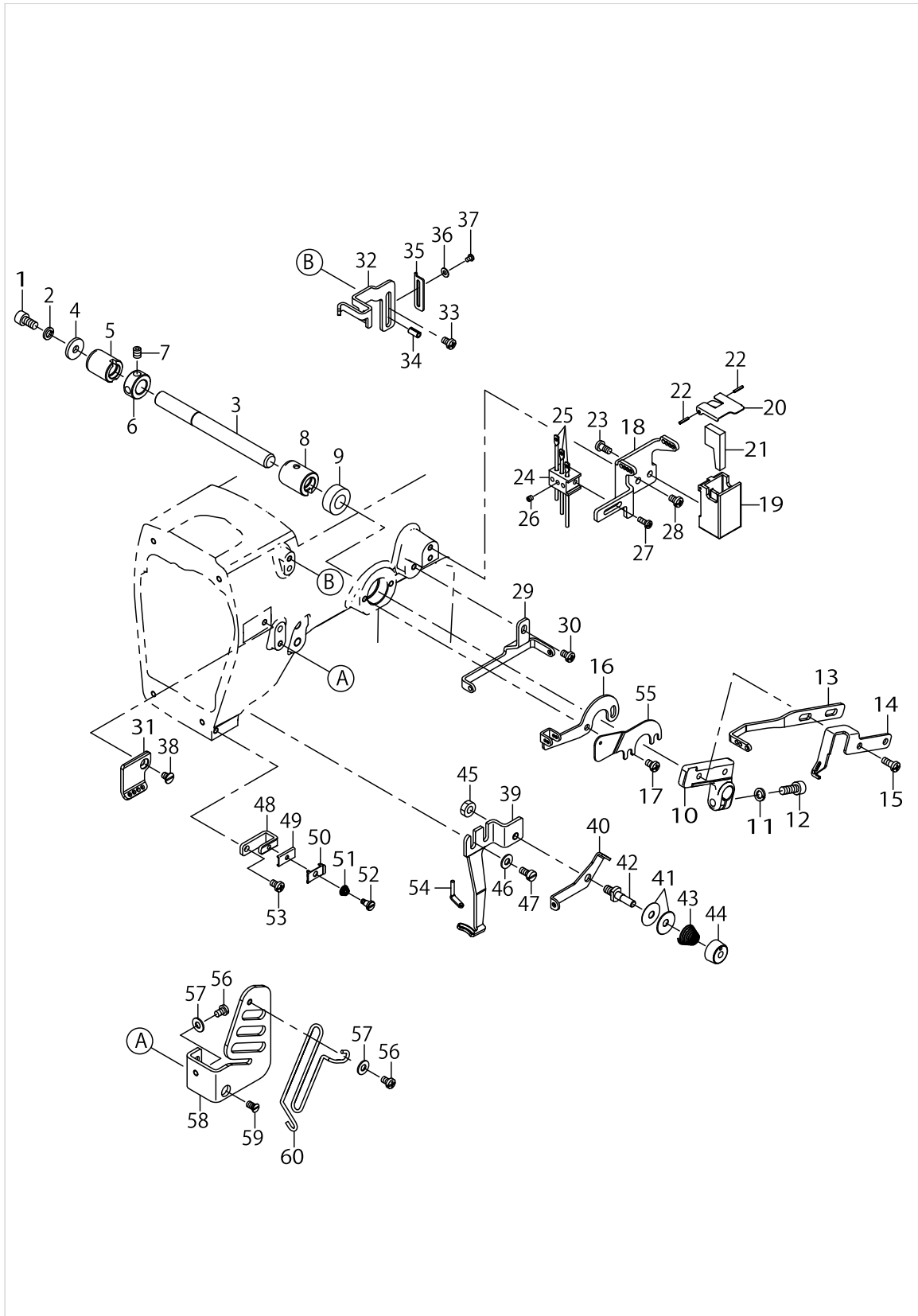
THREAD TAKE-UP LEVER COMPONENTS



THREAD TAKE-UP LEVER COMPONENTS

No.	Supply Code	Parts No.	Replacement	Parts name	Remarks	Choice	Step	Level	Cons	Qty	Rep. QTY
1		SM6051002TP		SCREW M5X0.8 L=10						1	
2		WS0510002KP		SPRING WASHER 5.1X9.2X1.3						1	
3		70001537		SHAFT						1	
4		WP0522016SH		WASHER						1	
5		13324504		BUSHING REAR						1	
6		CS1000881TP		THRUST COLLAR D=10 W=8						1	
7		SM8050612TP		SCREW M5X6						2	
8		13324603		BUSHING FRONT						1	
9		23612609		FEED CHANGING SHAFT OIL SEAL						1	
10		13324702		HOLDER TAKE UP EYELET						1	
11		WS0510002KN		SPRING WASHER M5						1	
12		SM6051402TP		SCREW M5X0.8 L=14						1	
13		70001548		NDL THD TAKE UP						1	
14		13324900		UP LPR THREAD TAKE UP						1	
15		SM4041055SP		SCREW						2	
16		13325006		THREAD GUIDE						1	
17		SM4040655SP		SCREW M4 L=6						2	
18		70001540		THREAD TENSION GUIDE						1	
19		13348008		TANK						1	
20		70001546		SILICONE OIL TANK COVER						1	
21		B9214850000		HEAT REMOVING FELT						1	
22		PS0150082KH		SPRING PIN 1.5X8						2	
23		ST4040851SN		TAPPING SCREW M4X8						2	
24		13325204		HOLDER						1	
25	R	30391601	40074316	NEEDLE THREAD EYELET						3	1.00
26		SM8030312TP		SCREW M3 L=3						3	
27		SM4030855SN		SCREW M3 L=8.0						1	
28		SM4040655SP		SCREW M4 L=6						2	
29		70001541		THREAD GUIDE						1	
30		SM4040655SP		SCREW M4 L=6						1	
31		70001542		THREAD GUIDE						1	
32		70001543		NDL THD STRIKE OFF						1	
33		SM4040655SP		SCREW M4 L=6						1	
34		PS0400082KP		SPRING PIN TYPE W 4X8						1	
35		13326905		NDL THD STRIKE OFF R						1	
36		WP0280501SC		WASHER M2.6						1	
37		SM48504C5SP		SCREW						1	
38		SM1040650TP		SCREW						1	
39		13326301		THREAD GUIDE UPPER LPR						1	
40		13326400		THREAD GUIDE						1	
41		22945802		THREAD TENSION DISK						2	
42		13326509		TENSION POST						1	
43		22945505		THREAD TENSION SPRING						1	
44		13326608		TENSION NUT						1	
45		NM6050001SC		NUT M5X0.8 TYPE1						1	
46		WP0450826SC		WASHER 4.5X10X0.8						2	

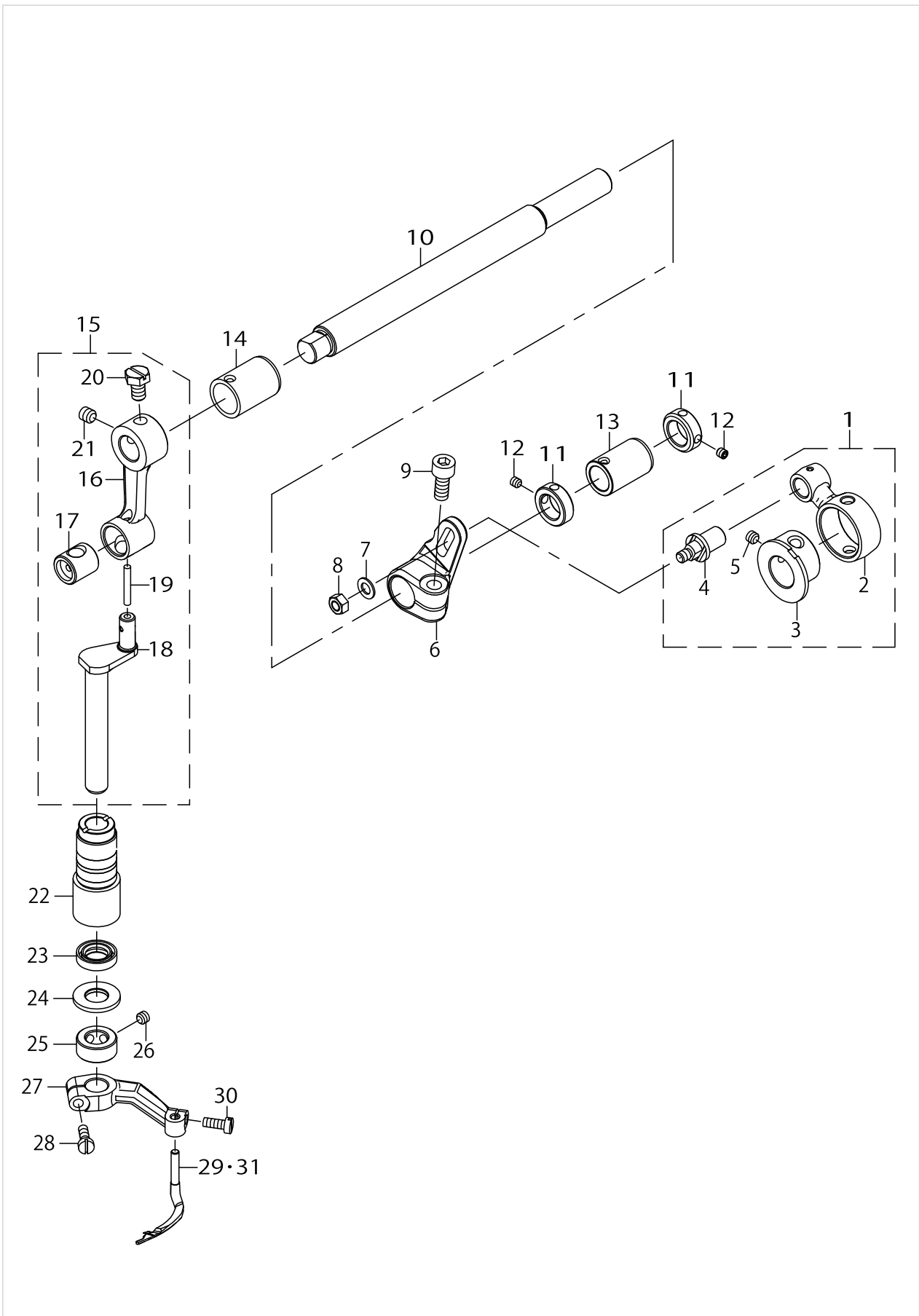
THREAD TAKE-UP LEVER COMPONENTS



THREAD TAKE-UP LEVER COMPONENTS

No.	Supply Code	Parts No.	Replacement	Parts name	Remarks	Choice	Step	Level	Cons	Qty	Rep. QTY
47		SM6040800SP		SCREW						2	
48		13325808		NIPPER PLATE SUPPORT						1	
49		13325907		NIPPER PLATE						1	
50		13326004		NIPPER GUIDE PLATE						1	
51		13326103		SPRING						1	
52		13326202		SHOULDER SCREW						1	
53		SM4040655SP		SCREW M4 L=6						1	
54		13326707		THREAD GUIDE					☆	1	
55		40085995		FINGER GUARD						1	
56		SM40405C5SP		SCREW						2	
57		WP0450801SC		WASHER 4.5X10X0.8						2	
58		70001544		TAKE UP COVER						1	
59		SM1040750TP		SCREW M4 L=7						1	
60		70001545		FINGER GUARD						1	

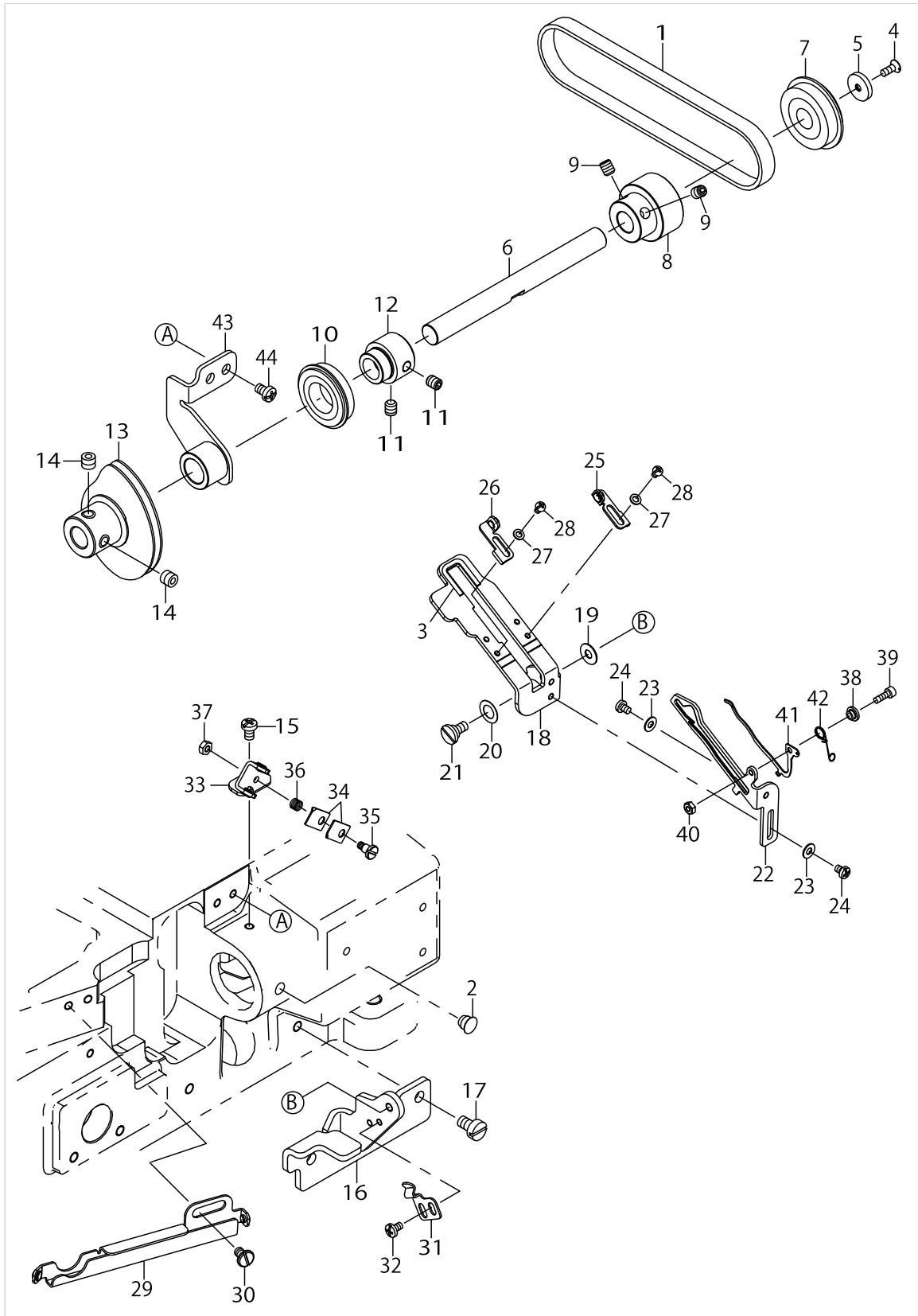
SPREADER COMPONENTS



SPREADER COMPONENTS

No.	Supply Code	Parts No.	Replacement	Parts name	Remarks	Choice	Step	Level	Cons	Qty	Rep. QTY
1		13328158		ASSY UPPER LPR MECH						1	
2		13328109		CONNROD FOR UPPER LPR				*		1	
3		13328000		UPPER LOOPER ECCENTRIC				*		1	
4		13328208		STUD				*		1	
5		SM8050412TP		SCREW M5 L=4				*		2	
6		70001555		DRIVING ARM						1	
7		WP0550800SP		WASHER 5.5X10X0.8						1	
8		NM6050001SC		NUT M5X0.8 TYPE1						1	
9		SM6061402TP		SCREW M6 L=14						1	
10		70001558		UPPER LOOPER SHAFT						1	
11		13399209		COLLAR						2	
12		SM8040412TP		SCREW M4X4						4	
13		13329008		BUSHING REAR						1	
14		70001559		BUSHINGFRONT						1	
15		13328554		ASSY UPPER LPR MECH 2						1	
16		13328505		CRANK ROD				*		1	
17		13328604		UPPER LOOPER ROCKER				*		1	
18		13328703		UP LPR SHAFT VERTICAL				*		1	
19		CQ303000000		COTTON OIL WICK D=3				*		0.05	
20		SM9061050TP		SCREW M6 L=10				*		1	
21		SM8060612TP		SCREW M6 L=6				*		1	
22		13329206		BUSHING VERTICAL						1	
23		13338900		OIL SEAL						1	
24		WP1022016SH		WASHER						1	
25		GS1000881TP		THRUST COLLAR D=10 W=8						1	
26		SM8050412TP		SCREW M5 L=4					☆	2	
27		13328802		UPPER LOOPER HOLDER						1	
28		SM6041200SP		SCREW M4 L=12					☆	1	
29		70004223		UPPER_LOOPER	EXCEPT T- YPE TURK- EY (UT37A,UT57A)				☆	1	
30		SM6041000SP		SCREW M4 L=10					☆	1	
31		70004224		UPPER_LOOPER	TYPE TUR- KEY (UT37A,UT57A)				☆	1	

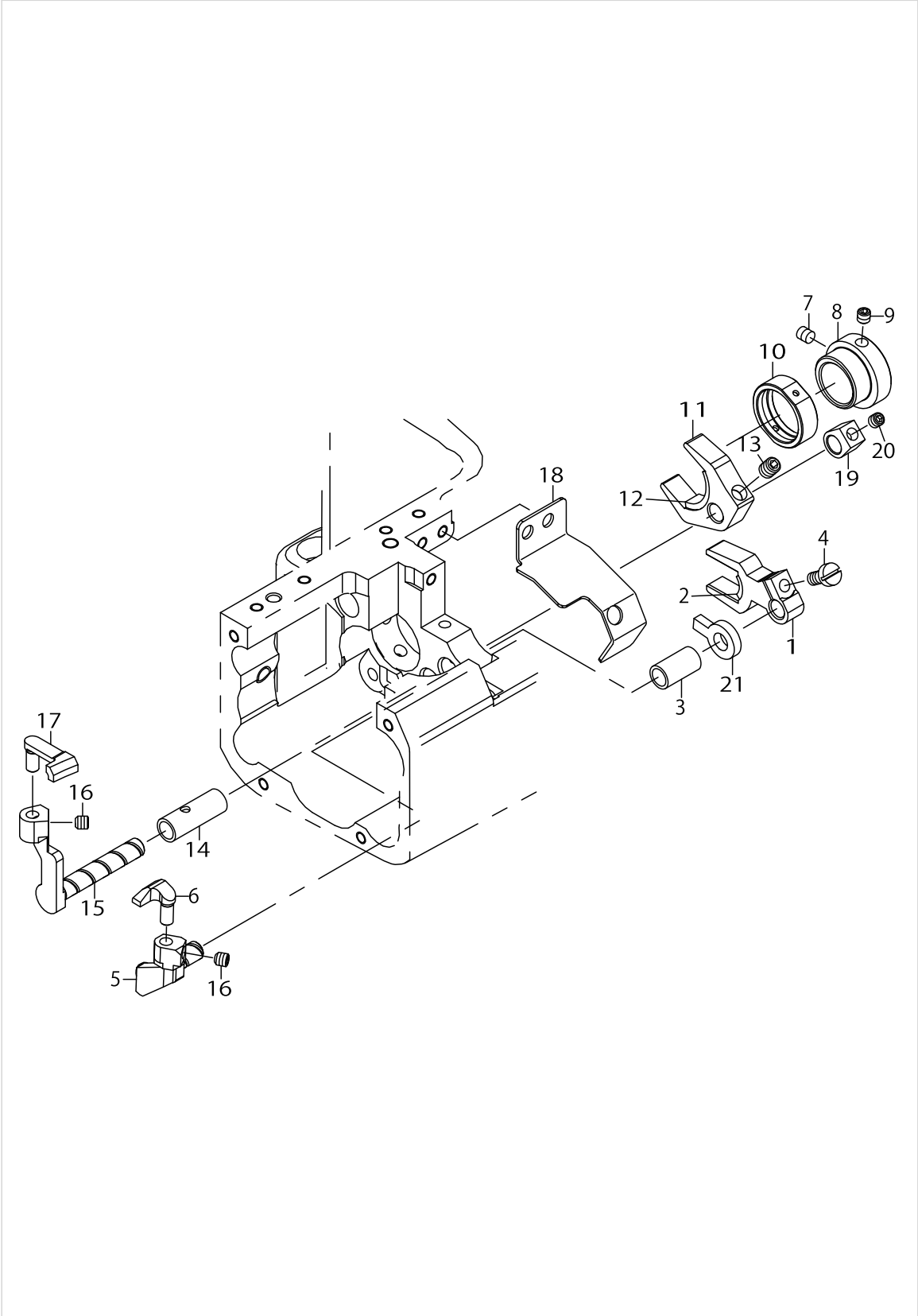
LOWER THREAD CAM COMPONENTS



LOWER THREAD CAM COMPONENTS

No.	Supply Code	Parts No.	Replacement	Parts name	Remarks	Choice	Step	Level	Cons	Qty	Rep. QTY
1		70001988		BELT TAKE UP						1	
2		TA0620504R0		CAP						1	
3		40087068		CAM THREAD CATCH						1	
4		SM1030800SM		SCREW M3X0.5 L=8						1	
5		13332606		WASHER TAKE UP						1	
6		70001729		SHAFT TAKE UP						1	
7		SB110001800		BEARING						1	
8		13331301		SPROCKET TAKE UP						1	
9		SM8050612TP		SCREW M5X6						2	
10		SB115000600		BALL BEARING						1	
11		SM8050612TP		SCREW M5X6						2	
12		70001754		COUPLING						1	
13		40019335		ASSY TAKE UP					☆	1	
14		SM8060552TP		SCREW M6 L=5						2	
15		SM4040655SP		SCREW M4 L=6						1	
16		70001734		TAKE UP PLATE BASE						1	
17		SM6050800SP		SCREW M5 L=8						2	
18		70001735		TAKE UP PLATE						1	
19		WP0410516SD		PLAIN WASHER						1	
20		WZ0641510KP		WAVED WASHER 6.4X11X0.3						1	
21		SD0640246SP		HINGE SCREW D=6.35 H=2.4						1	
22		70004734		THREAD_GUIDE						1	
23		WP0320501SC		WASHER M3						3	
24		SM4030455SP		SCREW						3	
25		40100773		EYELET L ASSY					☆	1	
26		40100771		EYELET R ASSY					☆	1	
27		WP0280500SC		WASHER						2	
28		SM4850455SP		SCREW						2	
29		70001738		ASSY THREAD GUIDE						1	
30		SM6040650TP		SCREW						2	
31		70001745		SPRING					☆	1	
32		SM5030555SN		SCREW M3 L=5						2	
33		70004375		NIPPER_PLATE						1	
34		40100769		NIPPER SPRING PLATE						2	
35		13326202		SHOULDER SCREW						1	
36		13402805		SPRING						1	
37		NM6030001SC		NUT M3X0.5 TYPE1						1	
38		70001584		SPRING COLLAR						1	
39		SM6850802TN		SCREW M2.5 L=8						1	
40		NM6850001SC		NUT M2.5X0.45 TYPE1						1	
41		70004733		THREAD_GUIDE_PLATE						1	
42		70001753		THREAD GUIDE PLATE SPRING					☆	1	
43		70001758		SHAFT TAKE UP COVER ASSY						1	
44		SM4040655SP		SCREW M4 L=6						2	

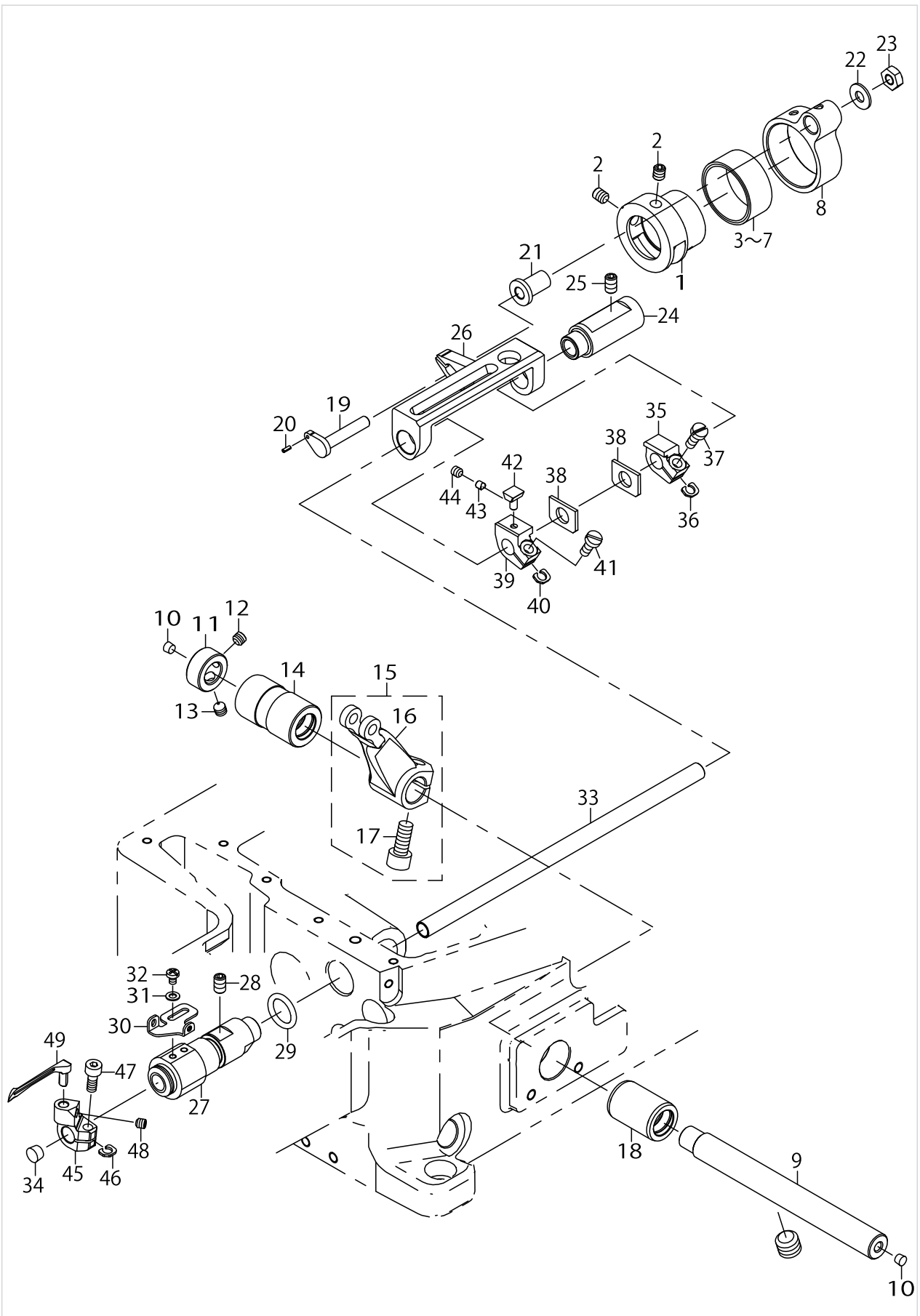
NEEDLE GUARD COMPONENTS



NEEDLE GUARD COMPONENTS

No.	Supply Code	Parts No.	Replacement	Parts name	Remarks	Choice	Step	Level	Cons	Qty	Rep. QTY
1		13420401		FORK FRONT NDL GUARD						1	
2		13421201		FELT FRONT NDL GUARD						1	
3		70001749		BUSH FRONT NDL GUARD						1	
4		SM6040800SP		SCREW						1	
5		13420500		HOLDER FRONT NDL GUARD						1	
6		13420609		FRONT NDL GUARD					☆	1	
7		SM8040412TP		SET SCREW M4 L=4						1	
8		13420005		CAM REAR NDL GUARD						1	
9		SM8040412TP		SET SCREW M4 L=4						1	
10		13421003		REAR NEEDLE GUARD BLOCK						1	
11		13420104		FORK REAR NDL GUARD						1	
12		13421300		FELT REAR NDL GUARD						1	
13		SM8050612TP		SCREW M5X6						1	
14		70001750		BUSH REAR NDL GUARD						1	
15		13420203		REAR NDL GUARD HOLDER						1	
16		SM8040412TP		SET SCREW M4 L=4						2	
17		13420302		REARNEEDLE GUARD					☆	1	
18		13420906		NDL GUARD COVER						1	
19		13421409		COLLER FOR NDL GUARD						1	
20		SM8040412TP		SET SCREW M4 L=4						1	
21		70001954		FELT FOR NEEDLE GUARD						1	

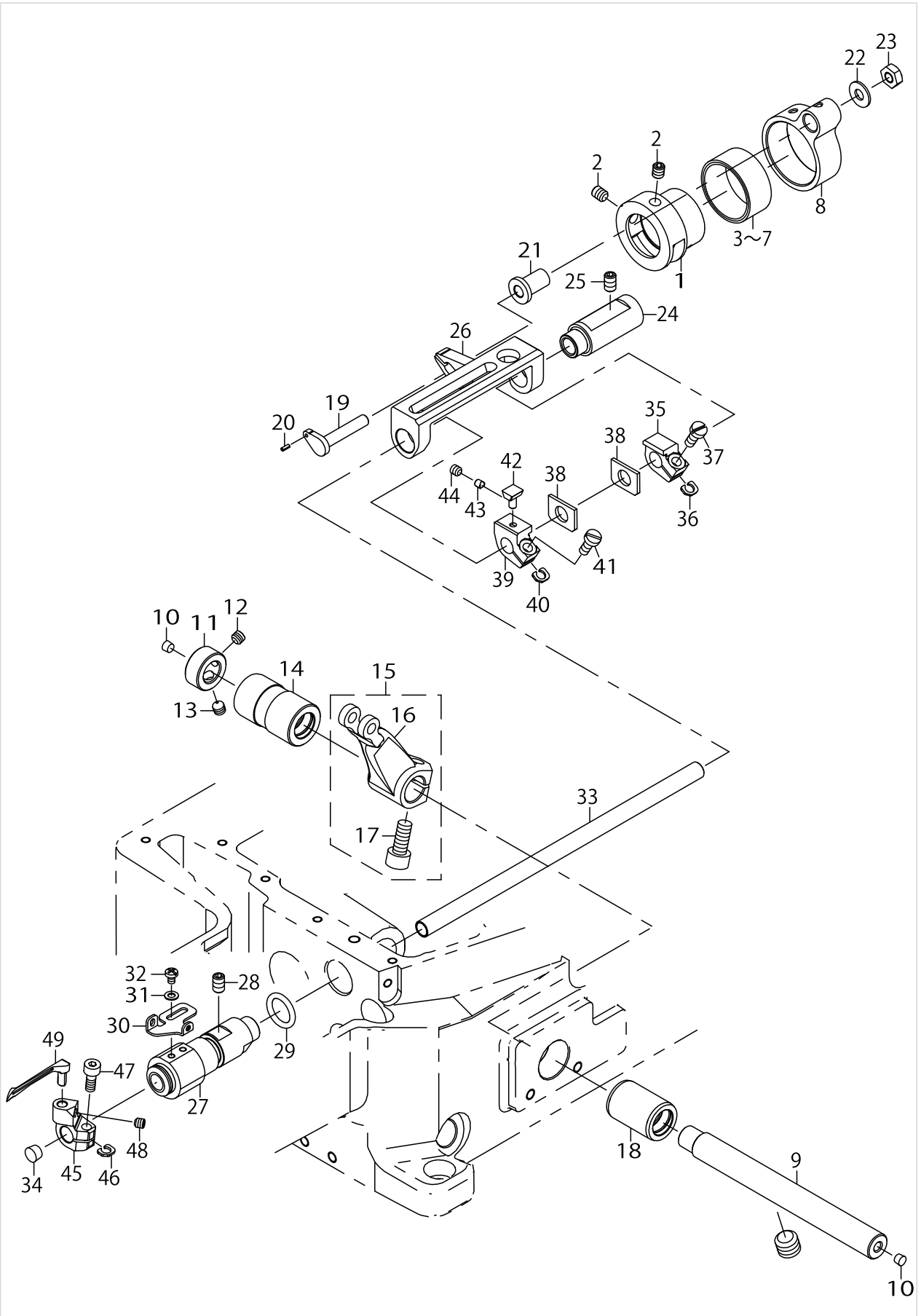
LOOPER COMPONENTS



LOOPER COMPONENTS

No.	Supply Code	Parts No.	Replacement	Parts name	Remarks	Choice	Step	Level	Cons	Qty	Rep. QTY
1		13422001		LOOPER AVOID ECCENTRIC						1	
2		SM8050612TP		SCREW M5X6						2	
3		SB32600020A		BEARING	SELECTIVE PARTS					1	
4		SB32600020B		BEARING	SELECTIVE PARTS					1	
5		SB32600020C		BEARING	SELECTIVE PARTS					1	
6		SB32600020D		BEARING	SELECTIVE PARTS					1	
7		SB32600020E		BEARING	SELECTIVE PARTS					1	
8		13422605		LOOPER AVOID LINK						1	
9		13424304		LOOPER SHAFT						1	
10		TA0400301M0		PLUG D=4X4.5 L=3						2	
11		CS1000881TP		THRUST COLLAR						1	
12		SM8050412TP		SCREW M5 L=4						1	
13		SM8050642TP		SCREW						1	
14		13423900		BUSHING REAR						1	
15		13424452		LEVER ASSY						1	
16	R	13424403	13424452	LEVER				*		1	1.00
17		SM6061402TP		SCREW M6 L=14				*		1	
18		13424502		BUSHING FRONT						1	
19		13422704		LOOPER AVOID PIN						1	
20		PS0150042K0		SPRING PIN 1.5X 4						1	
21		13422803		BUSHING						1	
22		13120605		WASHER						1	
23		NM6050001SC		NUT M5X0.8 TYPE1						1	
24		13423009		BUSHING RIGHT						1	
25		SM8050812TP		SCREW M5X8						1	
26		13422902		GUIDE LOOPER BAR						1	
27	R	70001761	70004729	BUSHING LEFT		A				1	1.00
27	R	70001761	70004367	BUSHING LEFT		A				1	1.00
28		SM8050812TP		SCREW M5X8						1	
29		RO118240100		O-RING						1	
30	R	70001762	70004729	THREAD GUIDE		A				1	1.00
30	R	70001762	70004367	THREAD GUIDE		A				1	1.00
31		WP0320500SC		WASHER M3						2	
32		SM4030455SP		SCREW						2	
33		13424601		LOOPER BAR						1	
34		TA0600401R0		PLUG						1	
35		13423405		HOLDER						1	
36		13423801		WASHER						1	
37		SM6041000SP		SCREW M4 L=10						1	
38		13423603		WASHER						2	
39		13423504		SLIDER HOLDER						1	
40		13423801		WASHER						1	
41		SM6041000SP		SCREW M4 L=10						1	
42		13423306		SLIDER						1	
43		13423702		PIN						1	
44		SM8040412TP		SET SCREW M4 L=4						1	

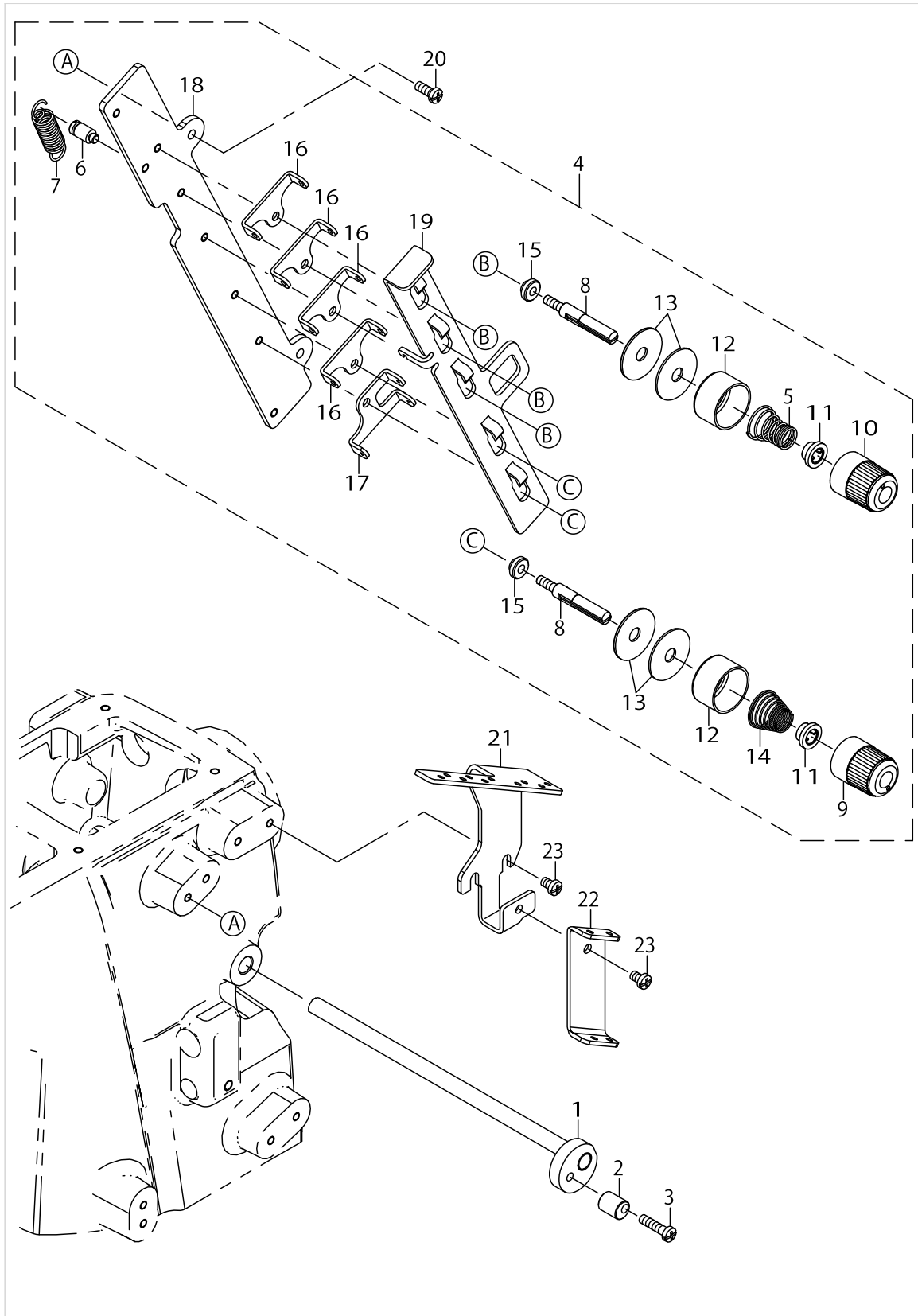
LOOPER COMPONENTS



LOOPER COMPONENTS

No.	Supply Code	Parts No.	Replacement	Parts name	Remarks	Choice	Step	Level	Cons	Qty	Rep. QTY
45		13424700		LOOPER HOLDER						1	
46		13423801		WASHER						1	
47		SM6041002TP		SCREW M4 L=10						1	
48		SM8040412TP		SET SCREW M4 L=4						1	
49		13424809		LOOPER					☆	1	

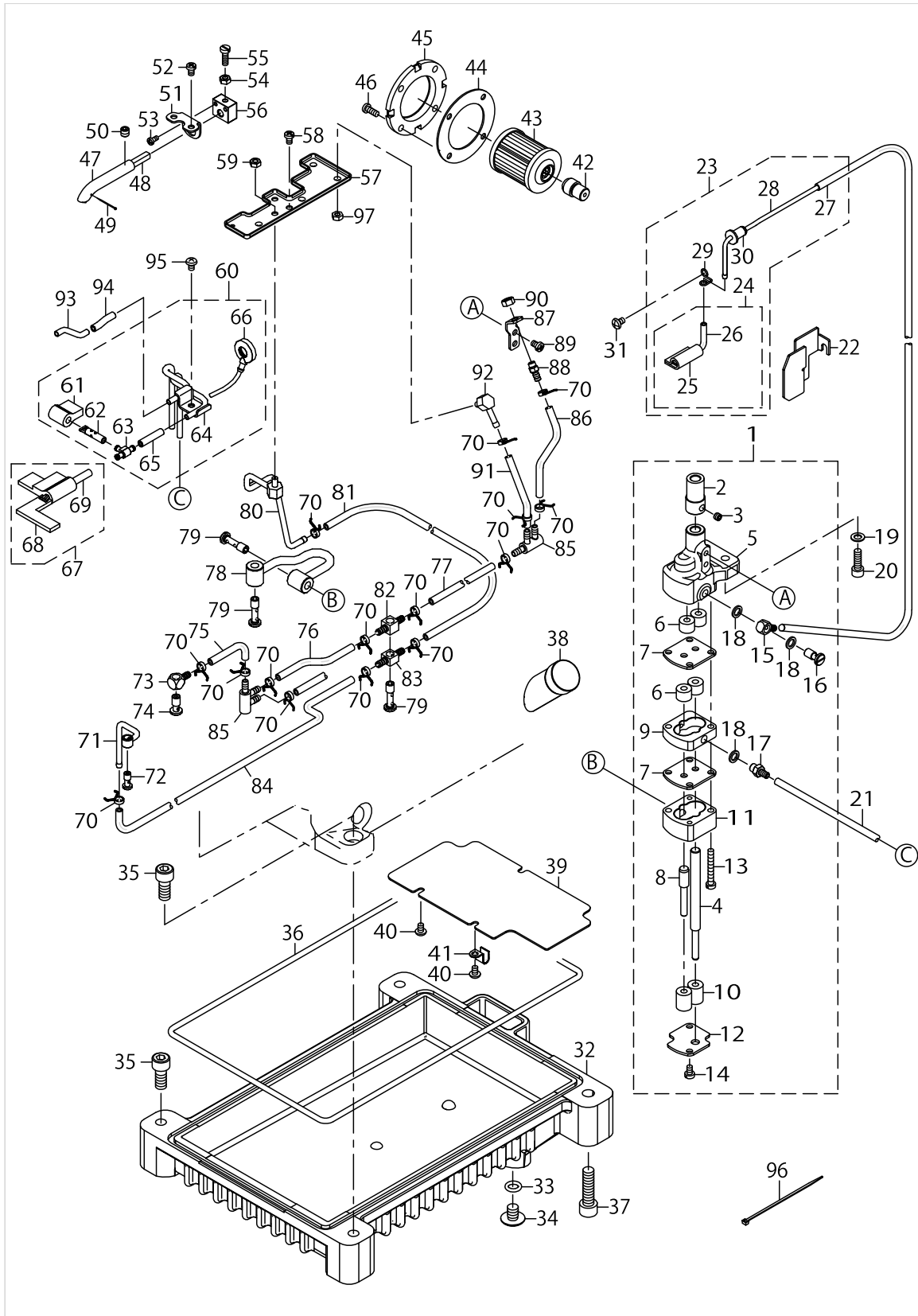
THREAD TENSION COMPONENTS



THREAD TENSION COMPONENTS

No.	Supply Code	Parts No.	Replacement	Parts name	Remarks	Choice	Step	Level	Cons	Qty	Rep. QTY
1		70001610		ASSY PULL OFF LEVER						1	
2		40065785		TENS RELEASE ADJ ECC						1	
3		SM4041655SP		SCREW M4 L=16						1	
4		70001612		THREAD TENSION ASSY						1	
5		13140504		TENSION SPRING				*		3	
6		13340302		SHOULDER SCREW				*		1	
7	D	26019000		THREAD TENSION SPRING				*		1	
8		70001620		TENSION POST				*		5	
9		40042363		KNOB				*		2	
10		40042364		KNOB GREEN				*		3	
11		40042365		SPRING BUSHING				*		5	
12		40042366		THREAD TENSION DISK PRESSER				*		5	
13		40101602		THREAD TENSION DISC				*		10	
14		40102003		SPRING				*		2	
15		70001617		SPACER				*		5	
16		70001615		TENSION DISC EYELET A				*		4	
17		70001616		TENSION DISC EYELET B				*		1	
18		70001613		TENSION POST SUPPORT				*		1	
19		70001614		TENSION DISC SEPARATOR				*		1	
20		SM4041055SP		SCREW						2	
21		13340005		THREAD GUIDE PLATE						1	
22		13340104		THREAD GUIDE						1	
23		SM4040655SP		SCREW M4 L=6						3	

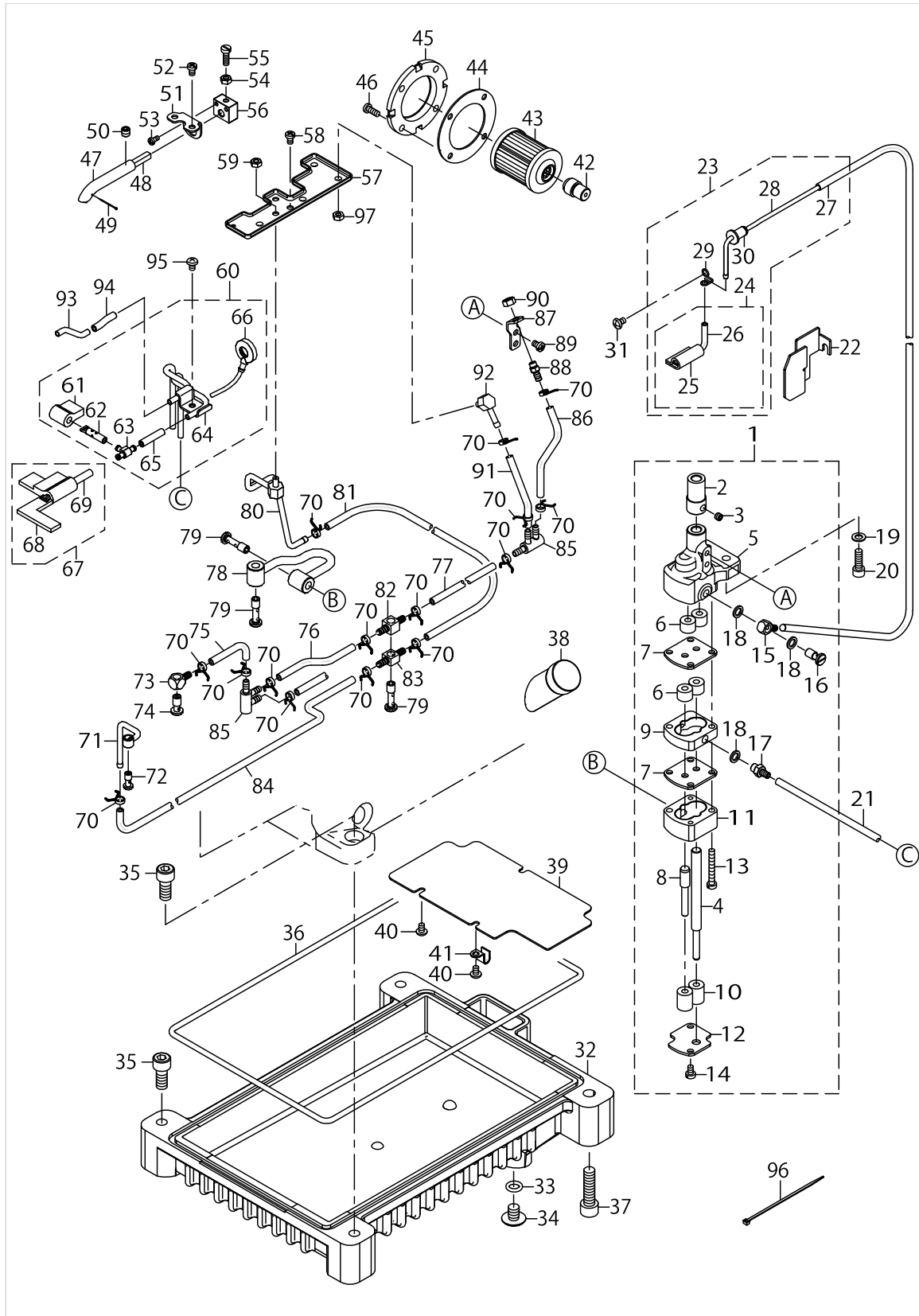
LUBRICATION COMPONENTS



LUBRICATION COMPONENTS

No.	Supply Code	Parts No.	Replacement	Parts name	Remarks	Choice	Step	Level	Cons	Qty	Rep. QTY
1		13426051		ASSYPUMP3-STAGE						1	
2		13343009		WORM WHEEL				*		1	
3		SM8050412TP		SCREW M5 L=4				*		2	
4	R	13426002	13426051	OIL PUMP SHAFT LARGE				*		1	1.00
5	R	13343108	13345459	OIL PUMP HOUSING		A	MF-7700	*		1	1.00
5	R	13343108	13426051	OIL PUMP HOUSING		B	MF-7800	*		1	1.00
6		13228309		OIL PUMP PINION				*		4	
7	R	13343405	13345459	OIL PUMP SPACER		A	MF-7700	*		2	1.00
7	R	13343405	13426051	OIL PUMP SPACER		B	MF-7800	*		2	1.00
8	R	13426101	13426051	OIL PUMP SHAFT SMALL				*		1	1.00
9		13426200		OIL PUMP CASING UPPER				*		1	
10		13228200		OIL PUMP PINION				*		2	
11	R	13343207	13345459	OIL PUMP CASING		A	MF-7700	*		1	1.00
11	R	13343207	13426051	OIL PUMP CASING		B	MF-7800	*		1	1.00
12	R	13343306	13345459	OIL PUMP COVER		A	MF-7700	*		1	1.00
12	R	13343306	13426051	OIL PUMP COVER		B	MF-7800	*		1	1.00
13		SM6043000SP		SCREW				*		2	
14		SM6040600SP		SCREW M4 L=6				*		2	
15		SQ0000451MZ		CONNECTINGSCREW				*		1	
16		SQ2060443SD		CONNECTINGSCREW				*		1	
17		SQ2060451MZ		CONNECTINGSCREW				*		1	
18		40004749		GASCKET				*		3	
19		WP0550800SP		WASHER 5.5X10X0.8						2	
20		SM6051602TP		SCREW M5X0.8 L=16						2	
21		23630007		TUBE						.2	
22		13343900		OIL PROTECTION SHIELD						1	
23		13344056		ASSY HEAD SUCTION						1	
24	R	13344155	13344056	ASSY HEAD SUCTION 2				*		1	1.00
25		40019163		FELT FOR HEAD SUCTION				*		1	
26		13346408		OIL TUBE FOR SUCTION				*		1	
27		23630007		TUBE				*		0.43	
28		13344601		SUCTION PIPE				*		1	
29		13344502		PIPE CLAMP				*		1	
30		13344700		BUSHING FOR SUCTION				*		1	
31		SM4040655SP		SCREW M4 L=6						1	
32		70001769		OIL PAN						1	
33		13170105		RUBBER RING						1	
34	R	13171004	SM0081001SD	DRAIN SCREW						1	1.00
35		SM6081802TP		SCREW						3	
36		13426408		O RING						1	
37		SM6083002TP		SCREW M8 L=30						1	
38		13346101		OIL SIGHT GAUGE						1	
39		70001770		DUSTPROOF PLATE						1	
40		SM4040655SP		SCREW M4 L=6						3	
41		13427604		TUBE HOLDER						1	
42		13343801		FITTING FILTER						1	

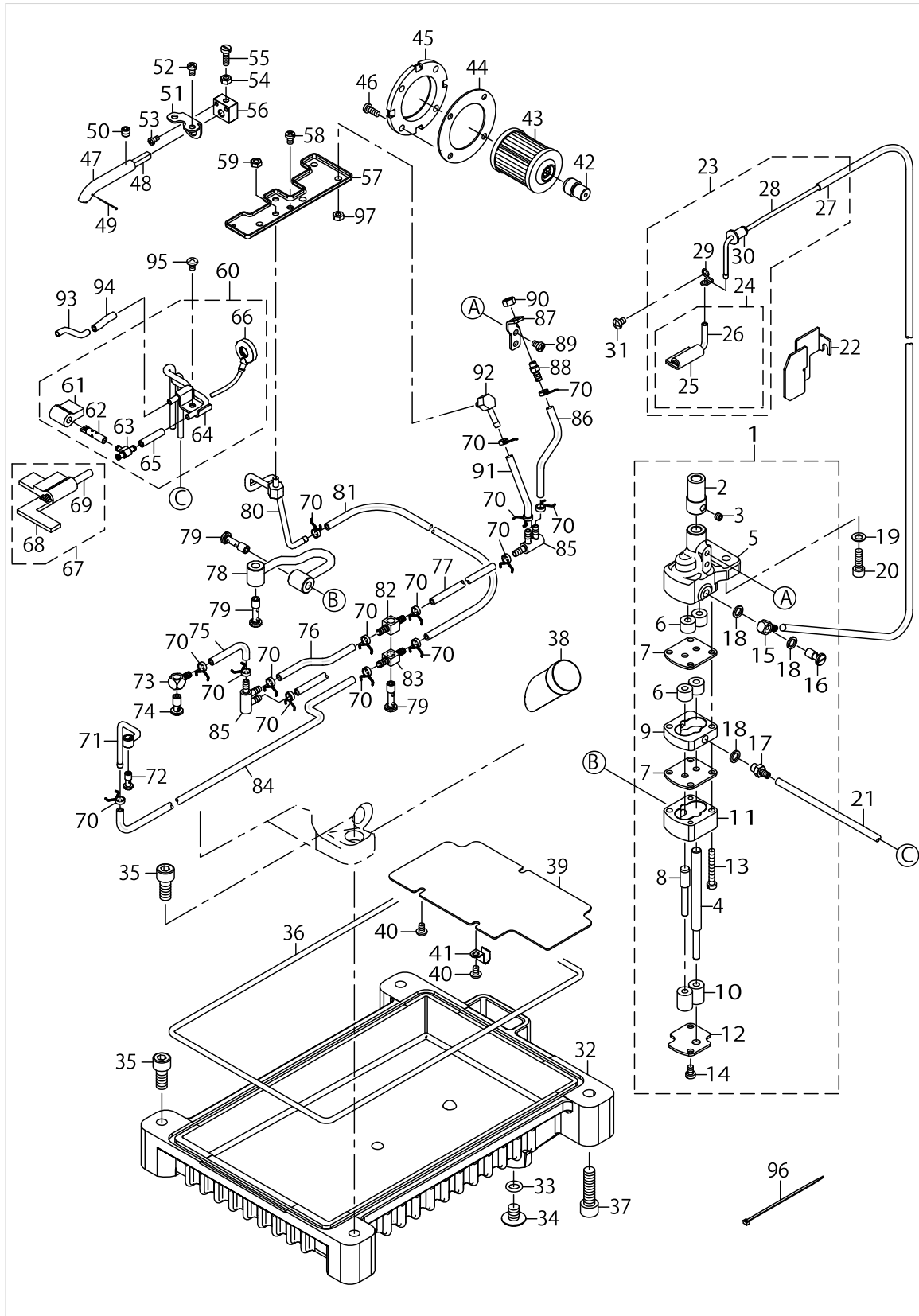
LUBRICATION COMPONENTS



LUBRICATION COMPONENTS

No.	Supply Code	Parts No.	Replacement	Parts name	Remarks	Choice	Step	Level	Cons	Qty	Rep. QTY
43		13142500		CARTRIDGE FILTER					☆	1	
44		13344809		GASKET O						1	
45		13345202		FILTER COVER						1	
46		SM4041055SP		SCREW						4	
47		13343603		OIL TUBE						1	
48		70001630		FELT FOR HEAD LUB						1	
49		11856101		NEEDLE COOLER PIN						1	
50		SM8060812TP		SCREW M6 L=8						1	
51		70001633		LUBRICATION ADJUSTING PLATE						1	
52		SM4040655SP		SCREW M4 L=6						2	
53		SM4030855SN		SCREW M3 L=8.0						2	
54		NM6040000SN		NUT M4						1	
55		SM6041200SP		SCREW M4 L=12						1	
56		70001632		LUBRICATION ADJUSTING BLOCK						1	
57		70001631		OIL SAUCER						1	
58		SM4040655SP		SCREW M4 L=6						2	
59		NM6040000SN		NUT M4						1	
60		13427851		ASSY BED SUCTION						1	
61		13427802		FELT FOR BED SUCTION				*		1	
62		13428305		OIL TUBE FOR SUCTION				*		1	
63		13765607		OIL CONNEC. ARM				*		1	
64		13426754		OIL SUCTION ASSY				*		1	
65		23630007		TUBE				*		0.03	
66		13428255		ASSY LOOPER SUCTION				*		1	
67		13427752		ASSY CYLINDER SUCTION						1	
68		13427703		FELT FOR C SUCTION				*		1	
69		13346408		OIL TUBE FOR SUCTION				*		1	
70		23629306		PIPE STOPPER A						15	
71		13427455		ASSY OIL SUPPLY FOR LMS						1	
72		SQ2050391SD		CONNECTING SCREW						1	
73		SQ0000452MZ		CONNECTING SCREW						1	
74		SQ2060443SD		CONNECTING SCREW						1	
75		BP30000010R		VINYL PIPE						.04	
76		BP30000010R		VINYL PIPE						.05	
77		BP30000010R		VINYL PIPE						.05	
78		13427257		ASSY OIL PIPE						1	
79		SQ2060442SD		CONNECTING SCREW						3	
80		13345053		ASSY OIL SUPPLY FOR TOP						1	
81		BP30000010R		VINYL PIPE						.5	
82		SQ0000453MZ		CONNECTING SCREW						1	
83		SQ0000454MZ		CONNECTING SCREW						1	
84		BP30000010R		VINYL PIPE						.13	
85		23629504		DISTRIBUTOR						2	
86		BP30000010R		VINYL PIPE						1	
87		13427307		CONNECTING SCR BRACKET						1	
88		SQ2050452MZ		CONNECTING SCREW						1	

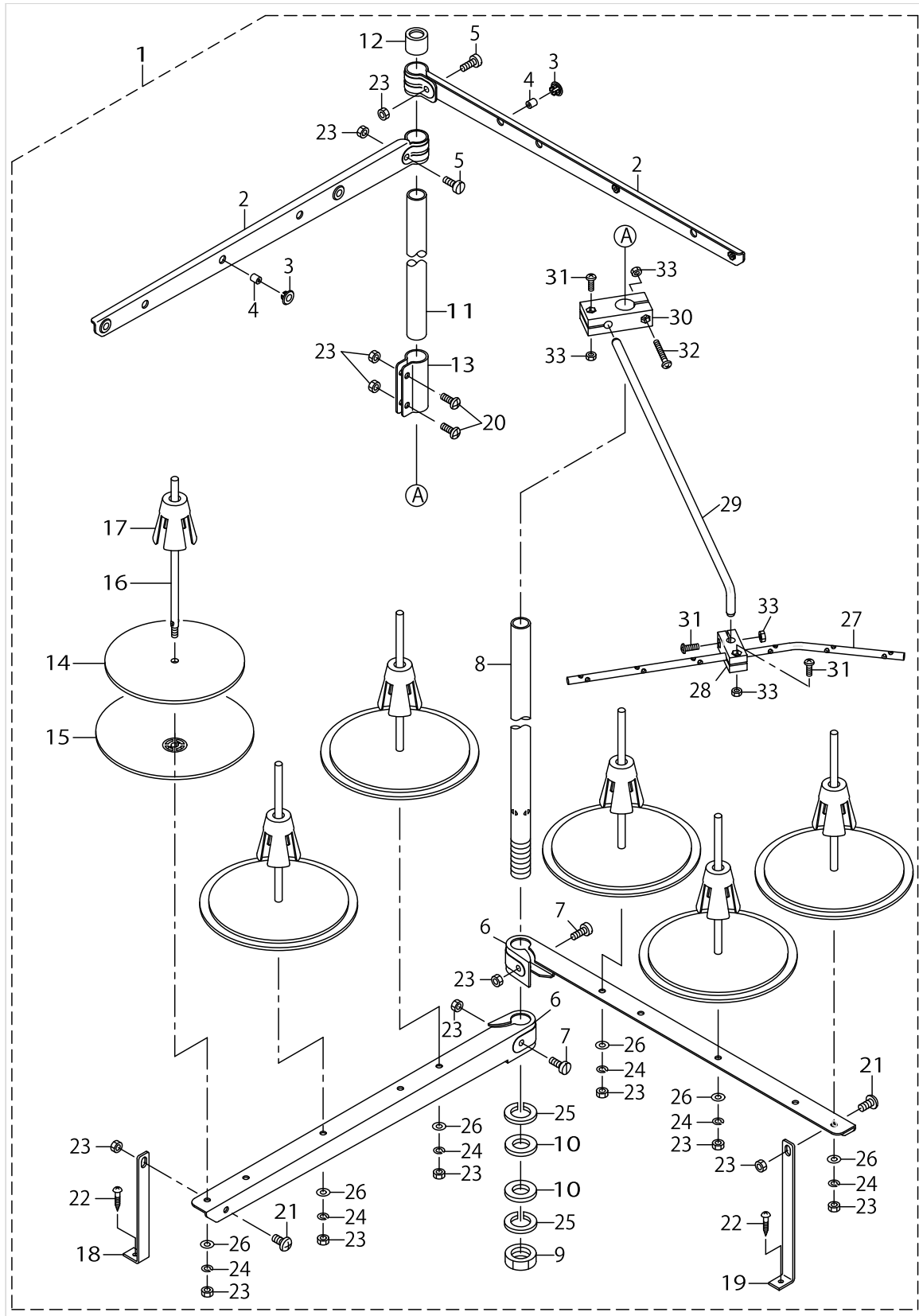
LUBRICATION COMPONENTS



LUBRICATION COMPONENTS

No.	Supply Code	Parts No.	Replacement	Parts name	Remarks	Choice	Step	Level	Cons	Qty	Rep. QTY
89		SM4040655SP		SCREW M4 L=6						2	
90		NM6050001SC		NUT M5X0.8 TYPE1						1	
91		BP30000010R		VINYL PIPE						.3	
92		70001975		ASSY_OIL_SUPPLY						1	
93		13428008		OIL SUCTION FOR BUSHING						1	
94		23630007		TUBE						.02	
95		SM4040655SP		SCREW M4 L=6						1	
96		EA9500B0100		CABLE BAND						2	
97		NM6040000SN		NUT M4						1	

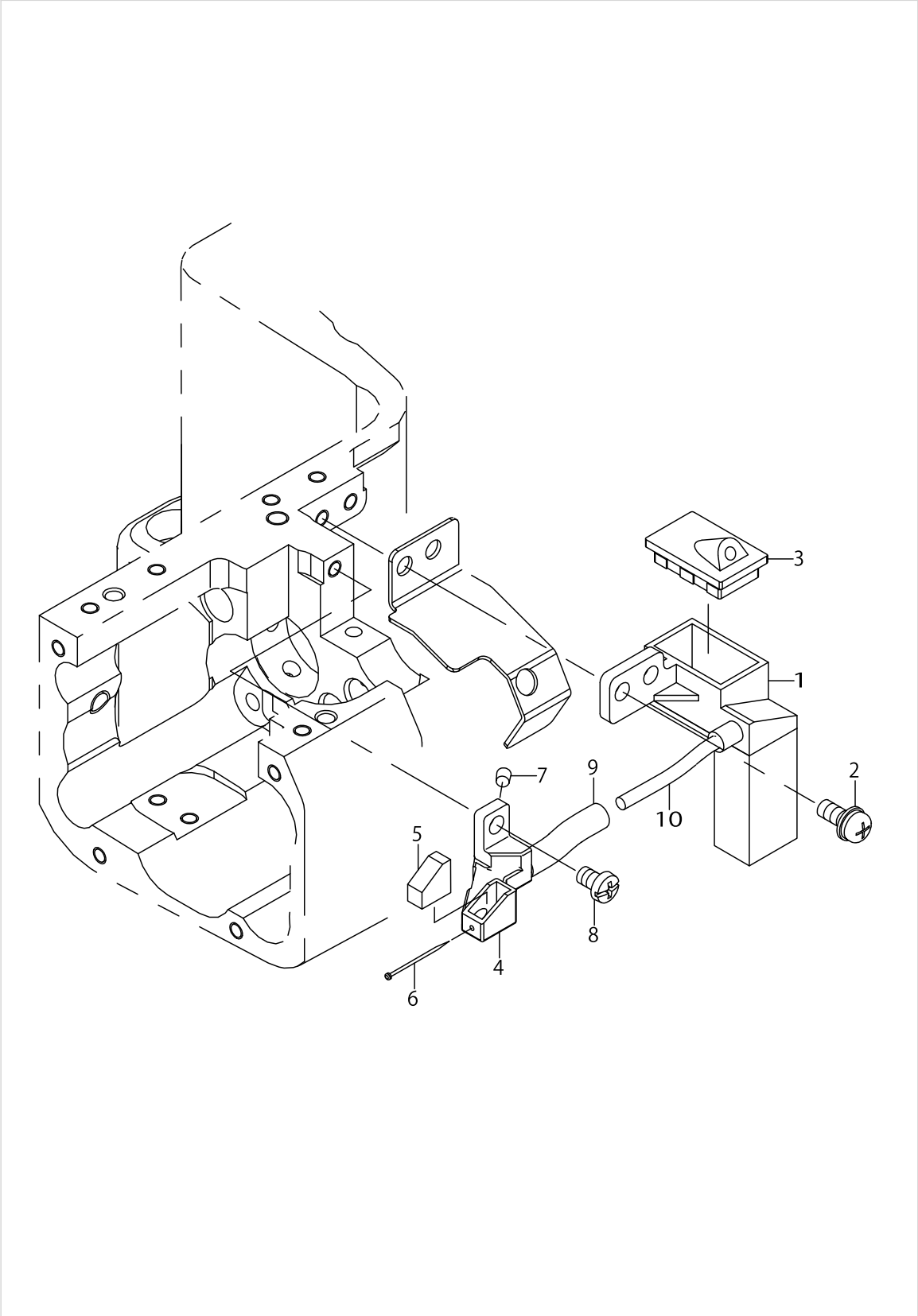
THREAD STAND COMPONENTS



THREAD STAND COMPONENTS

No.	Supply Code	Parts No.	Replacement	Parts name	Remarks	Choice	Step	Level	Cons	Qty	Rep. QTY
1	R	40106592	40106586	THREAD STAND ASM.						1	1.00
2		40106575		SPOOL REST LONG ARM UPPER				*	☆	2	
3		40085795		THREAD GUIDE BUSHING				*		6	
4		40085794		THREAD GUIDE				*		6	
5	R	40096327	SM4053001SE	SPOOL REST ARM UPPER SCREW				*		2	1.00
6		40106574		SPOOL REST LONG ARM LOWER				*		2	
7		40096326		SPOOL REST ARM LOWER SCREW				*		2	
8		40085784		SPOOL REST ROD LOWER				*		1	
9		40096325		SPOOL REST ROD NUT				*		1	
10		40085796		SPOOL REST ROD RUBBER CUSHION				*		2	
11		40085785		SPOOL REST ROD UPPER				*		1	
12		40085793		SPOOL REST ROD RUBBER CAP				*		1	
13		40085792		SPOOL REST ROD JOINT				*		1	
14		40085789		SPOOL REST CUSHION				*		6	
15		40085788		SPOOL REST				*		6	
16		40085790		SPOOL PIN				*		6	
17		40085791		SPOOL RETAINER				*		6	
18		40106577		SPOOL REST ARM LOWER A				*	☆	1	
19		40106578		SPOOL REST ARM LOWER B				*	☆	1	
20		SM4051405SE		SCREW M5 L=14				*		2	
21		SM4051001SE		SCREW M5 L=10				*	☆	2	
22		SK3412001SE		WOOD SCREW D=4.1 L=20				*	☆	2	
23		NM6050001SE		NUT M5X0.8 TYPE1				*	☆	14	
24		WP0531001SC		WASHER M5				*		6	
25		WP1612616SE		WASHER 16X30X2.6				*		2	
26		WS0510002KN		SPRING WASHER M5				*		6	
27		40106583		THREAD GUIDE 6				*	☆	1	
28		40106580		THREAD GUIDE UNDER BASE				*		1	
29		40106576		THREAD GUIDE ARM				*	☆	1	
30		40106579		THREAD GUIDE ARM BASE				*		1	
31		SM4041201SC		SCREW M4X0.7 L=12				*		3	
32		SM4042501SC		SCREW M4X0.7 L=25				*		1	
33	R	NM6040002SC	NM6040002SE	NUT M4X0.7 TYPE2				*		4	1.00

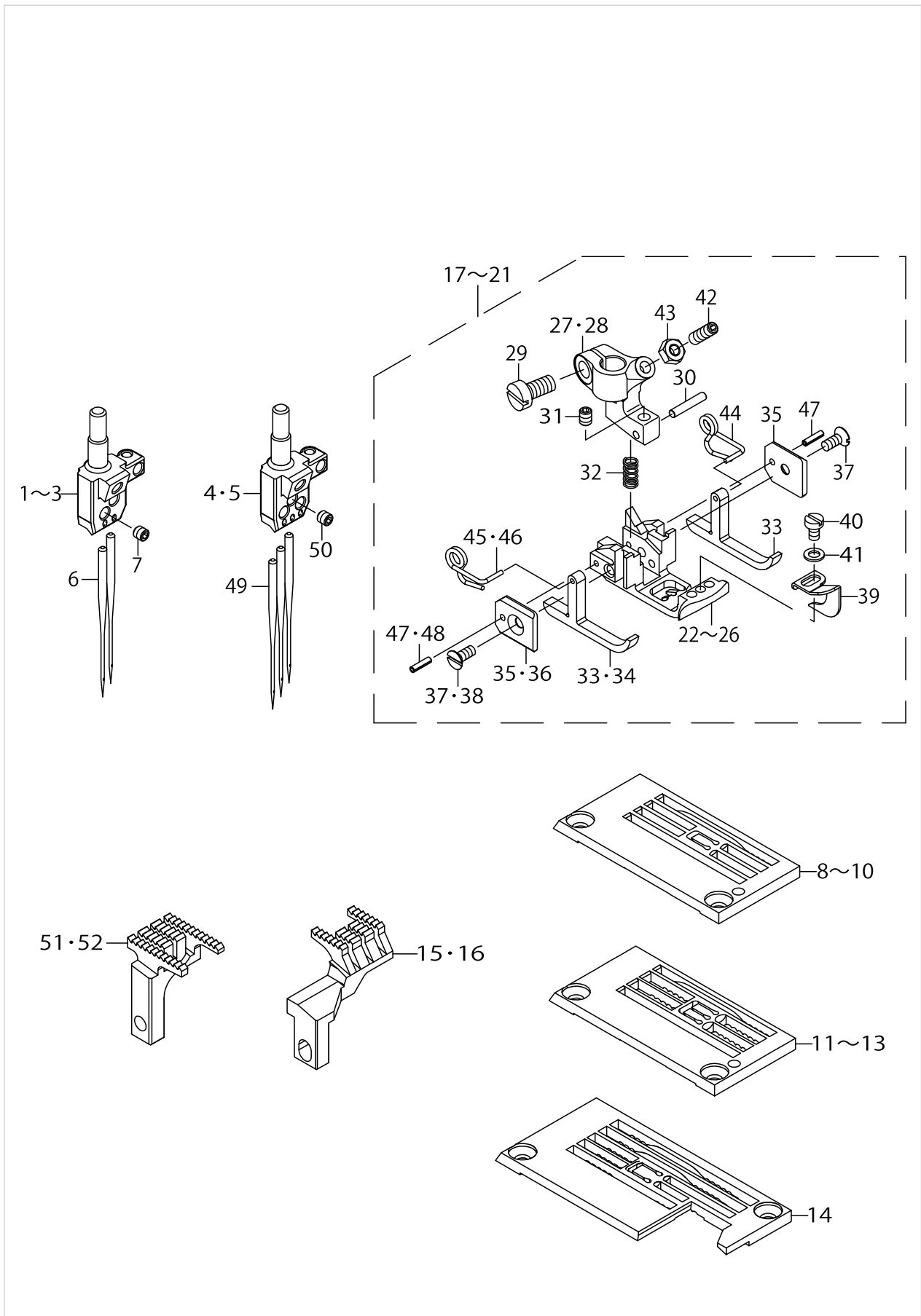
NEEDLE COOLING COMPONENTS



NEEDLE COOLING COMPONENTS

No.	Supply Code	Parts No.	Replacement	Parts name	Remarks	Choice	Step	Level	Cons	Qty	Rep. QTY
1		13429055		SILICONE OIL TANK ASSY						1	
2		SL4041081SC		SCREW M4 L=10						2	
3		13429105		SILICONE OIL TANK CAP						1	
4		13429204		SILICONE OIL CUP						1	
5		13429303		FELT					☆	1	
6		11856101		NEEDLE COOLER PIN						1	
7		TA0290301M0		PLUG						1	
8		SM4040655SP		SCREW M4 L=6						1	
9		BT0600402EA		OIL TUBE						.03	
10		CQ303000000		OIL WICK						.1	

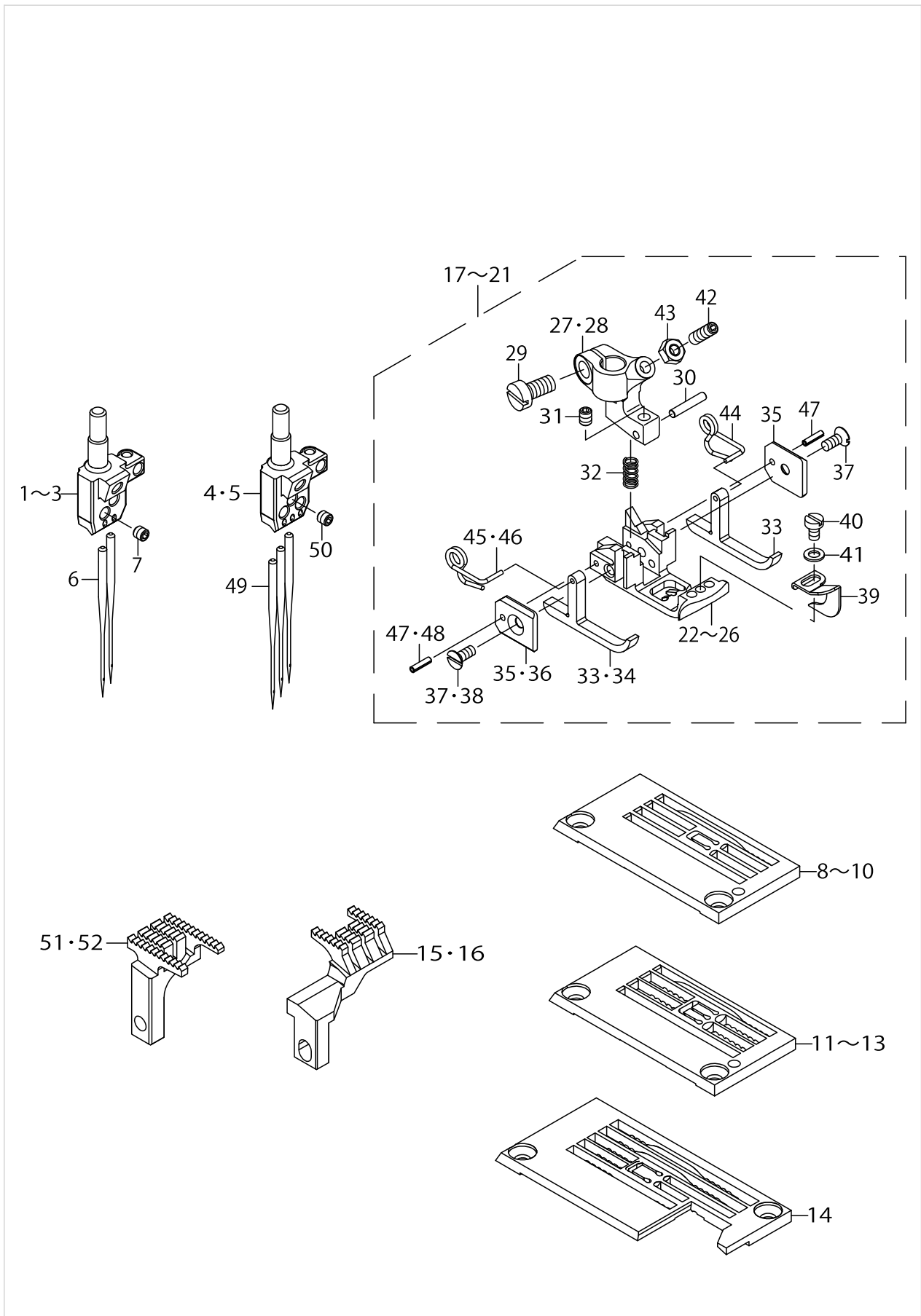
GAUGE PARTS COMPONENTS



GAUGE PARTS COMPONENTS

No.	Supply Code	Parts No.	Replacement	Parts name	Remarks	Choice	Step	Level	Cons	Qty	Rep. QTY
1		13350004		NEEDLE HEAD 32	FOR B32					1	
2		13350103		NEEDLE HEAD 40	FOR B40					1	
3		13350509		NEEDLE HEAD 48	FOR B48					1	
4		13350301		NEEDLE HEAD 56	FOR B56					1	
5		13350400		NEEDLE HEAD 64	FOR B64					1	
6		MUY128S1000		NEEDLE					☆	2	
7		SM8030312TP		SCREW M3 L=3						3	
8		40058587		THROAT PLATE	FOR B32				☆	1	
9		40058706		THROAT PLATE	FOR B40				☆	1	
10		70004610		THROAT_PLATE	OPTIONAL PARTS					1	
11		40040514		THROAT PLATE	FOR B48				☆	1	
12		40058033		THROAT PLATE	FOR B56				☆	1	
13		40040513		THROAT PLATE	FOR B64				☆	1	
14		70004611		THROAT_PLATE	OPTIONAL PARTS					1	
15		13433503		DIFF FEED DOG	FOR B32,B40,48				☆	1	
16		13432109		DIFF FEED DOG	FOR B56,B64				☆	1	
17		40090133		PRESSERFOOTASSY	FOR B32				☆	1	
18		40090196		PRESSERFOOTASSY	FOR B40				☆	1	
19		40090197		PRESSERFOOTASSY	FOR B48				☆	1	
20		40082974		PRESSERFOOTASSY	FOR B56,B64				☆	1	
21		70004613		PRESSER_FOOT_ASSY	OPTIONAL PARTS					1	
22		40090130		PRESSER FOOT BOTTOM	FOR B32			*		1	
23		40090131		PRESSER FOOT BOTTOM	FOR B40			*		1	
24		40090132		PRESSER FOOT BOTTOM	FOR B48			*		1	
25	R	40082975	40082974	PRESSER FOOT BOTTOM	FOR B56,B64			*		1	1.00
26		70004612		PRESSER_FOOT_BOTTOM	OPTIONAL PARTS			*		1	
27		40070224		PRESSER FOOT HINGE	EXCEPT O- PTIONAL PARTS			*		1	
28		13467907		PRESSER_FOOT_SHANK	OPTIONAL PARTS			*		1	
29		SM6040800SP		SCREW				*		1	
30		13375209		PIVOT PIN				*		1	
31		SM8030412TP		SCREW				*		1	
32		13377106		SPRING				*		1	
33		40070226		P F YIELDING SECTION	EXCEPT O- PTIONAL PARTS			*		2	
34		40038032		YIELDING SECTION	OPTIONAL PARTS			*		1	
35		40070227		GUIDE PLATE	EXCEPT O- PTIONAL PARTS			*		2	
36		13468103		YIELDING_SECTION_PLATE	OPTIONAL PARTS			*		1	
37		SM1850600SP		SCREW	EXCEPT O- PTIONAL PARTS			*		2	
38		SM1850600SP		SCREW	OPTIONAL PARTS			*		1	
39		40070231		PRESSER FOOT GUIDE	EXCEPT O- PTIONAL PARTS			*		1	
40		SM6850400SP		SCREW M2.5 L=4	EXCEPT O- PTIONAL PARTS			*		1	
41		WP0280500SC		WASHER	EXCEPT O- PTIONAL PARTS			*		1	
42		SM8031002TP		SCREW	EXCEPT O- PTIONAL PARTS			*		1	
43		NM6030001SD		NUT M3X0.5	EXCEPT O- PTIONAL PARTS			*		1	

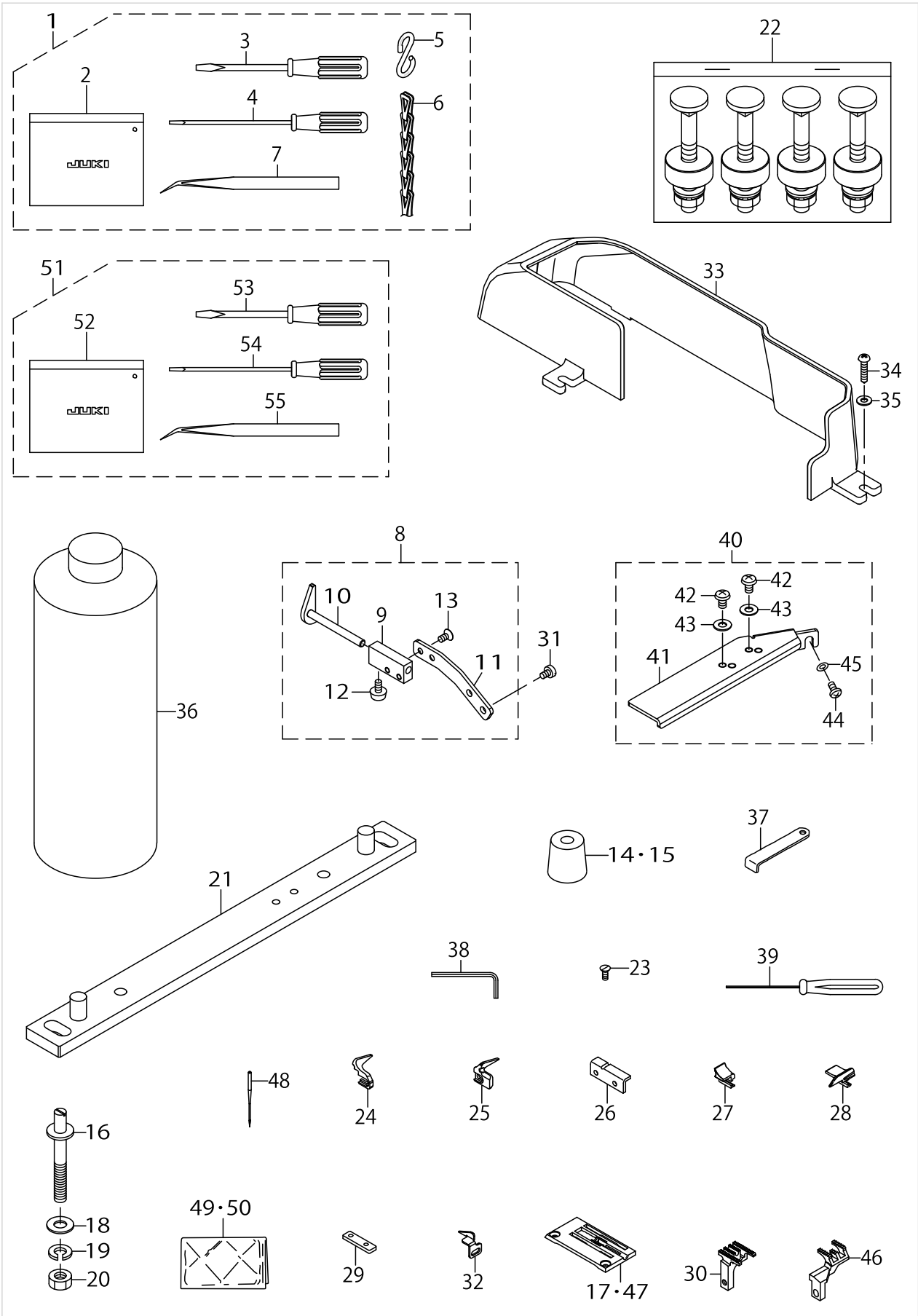
GAUGE PARTS COMPONENTS



GAUGE PARTS COMPONENTS

No.	Supply Code	Parts No.	Replacement	Parts name	Remarks	Choice	Step	Level	Cons	Qty	Rep. QTY
44		40070230		SPRING R	EXCEPT O- PTIONAL PARTS			*		1	
45		40070229		SPRING L	EXCEPT O- PTIONAL PARTS			*		1	
46		13375308		SPRING_L	OPTIONAL PARTS			*		1	
47		PS0150065KP		SPRING PIN 1.5X6	EXCEPT O- PTIONAL PARTS			*		2	
48		PS0150082KH		SPRING PIN	OPTIONAL PARTS			*		1	
49		MUY128S1000		NEEDLE					☆	3	
50		SM8030312TP		SCREW M3 L=3						4	
51		13431200		MAIN FEED DOG	FOR B32,B40,48				☆	1	
52		13430103		MAIN FEED DOG	FOR B56,B64				☆	1	

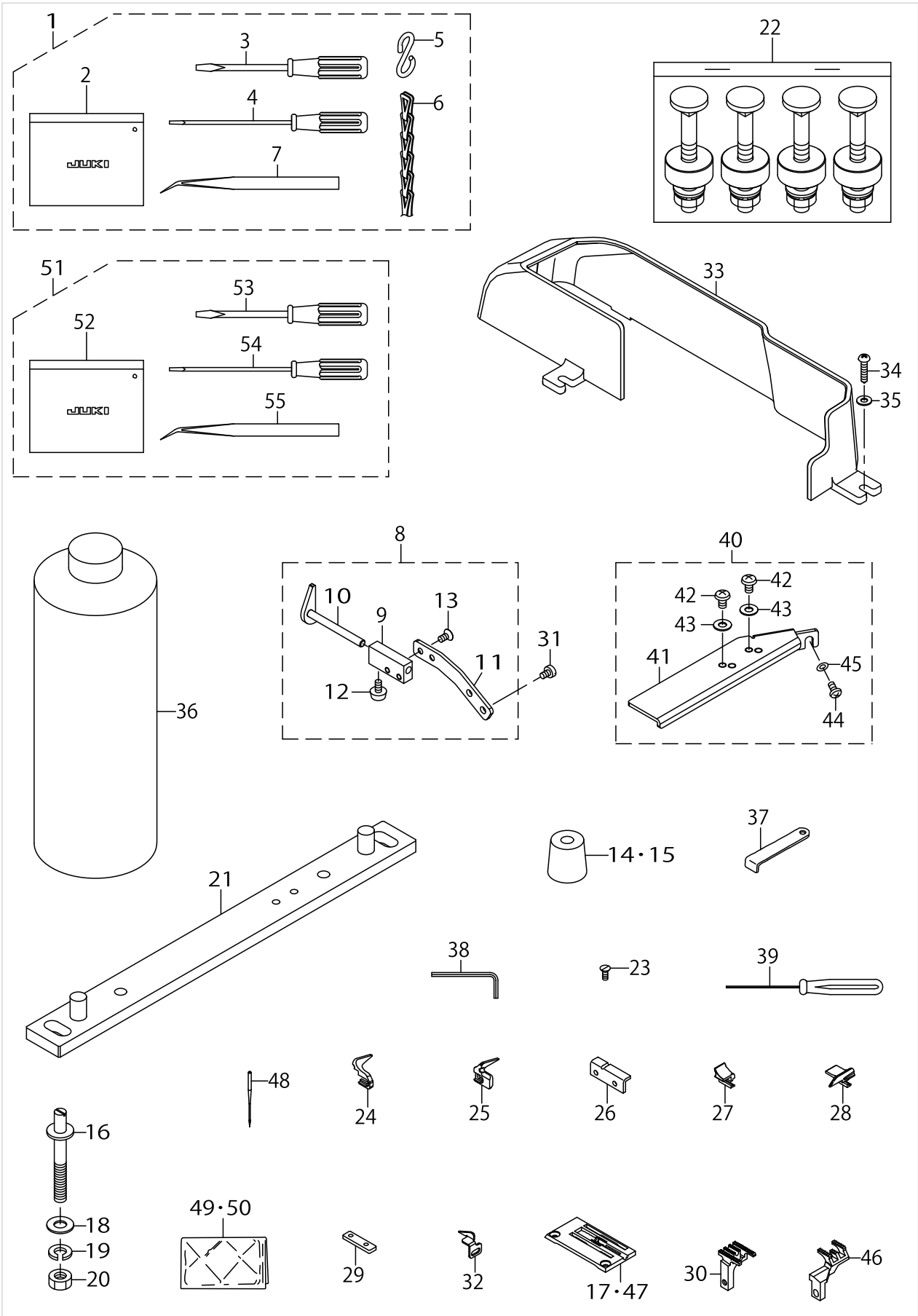
ACCESSORIES PARTS COMPONENTS



ACCESSORIES PARTS COMPONENTS

No.	Supply Code	Parts No.	Replacement	Parts name	Remarks	Choice	Step	Level	Cons	Qty	Rep. QTY
1		40013913		ACCESSORY BAG ASSY						1	
2		22932800		ACCESSORIE BAG				*		1	
3		22933105		SCREW DRIVER,MIDDLE				*		1	
4		12347308		SCREW DRIVER (SMALL)				*		1	
5		13160304		S SHAPED HOOK				*		2	
6		70001840		CHAIN				*		1	
7		12288403		TWEEZERS				*		1	
8		70001964		HEM GUIDE ASSY						1	
9		70001963		HEM GUIDE BASE 2				*		1	
10		70001967		HEM GUIDE				*		1	
11		70001962		HEM GUIDE BASE 1				*		1	
12		40019379		KNOB SCREW				*		1	
13		SM1040801SC		SCREW M4X0.7 L=8				*		2	
14		40072505		ISOLATOR						1	
15		13155403		ISOLATOR						3	
16		13349600		PIN FOR RUBBER CUSHION						4	
17		13352307		THROAT PLATE	FOR B56				☆	1	
18		WP0851216SC		WASHER 8.5X18.0X1.2						4	
19		WS0820002KR		SPRING WASHER, M8						4	
20		NM6080001SC		NUT M8X1.25						4	
21		13348859		SUPPORT PLATE ASSY	SEMI-SUB-MERGED TYPE					2	
22		40026691		ASSY BOLT SET(78-00 SUBMERGED)	SEMI-SUB-MERGED TYPE					1	
23		13302203		SCREW						1	
24		70001813		COVERING GUIDE RIGHT					☆	1	
25		70001814		COVERING GUIDE LEFT					☆	1	
26		70001847		BRACKET					☆	1	
27		70001838		COVERING GUARD L					☆	1	
28		70001839		COVERING GUARD R					☆	1	
29		70001848		BRACKET					☆	1	
30		13430707		MAIN FEED DOG	FOR B56,B64				☆	1	
31		SM6040650TP		SCREW					☆	2	
32		70001842		GUIDE LEFT					☆	1	
33		70001832		BELT COVER						1	
34		SK3412001SE		WOOD SCREW D=4.1 L=20						3	
35		WP0450826SC		WASHER 4.5X10X0.8						3	
36	R	MML018800CB	MML018900CA	JUKI CORPORATION GENUINE OIL 18					☆	1	1.00
37		B9101490000		DRIVER						1	
38		J106600000B		HEXAGONAL WRENCH KEY (2MM)						1	
39		40032763		HEXAGONAL DRIVER(1.5)						1	
40		70001845		BINDER BRACKET ASSY						1	
41		70001844		BINDER BRACKET				*		1	
42		SM5050855SN		SCREW M5 L=8				*		2	
43		WP0550836SC		WASHER 5.5X12X0.8				*		2	
44		SM4040855SP		SCREW				*		2	
45		WP0450801SC		WASHER 4.5X10X0.8				*		2	

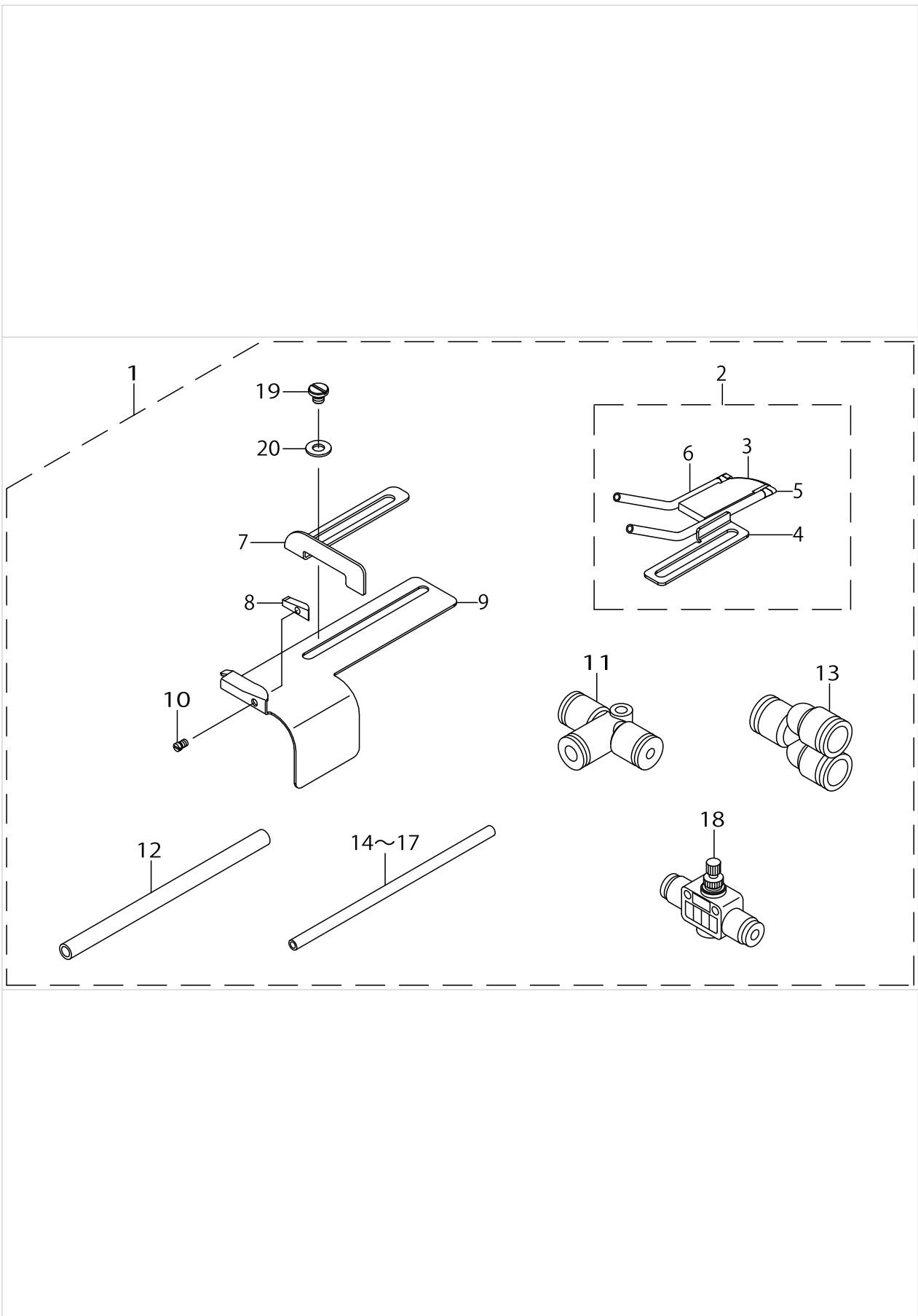
ACCESSORIES PARTS COMPONENTS



ACCESSORIES PARTS COMPONENTS

No.	Supply Code	Parts No.	Replacement	Parts name	Remarks	Choice	Step	Level	Cons	Qty	Rep. QTY
46		13432901		DIFF FEED DOG	FOR B56,B64				☆	1	
47		13352406		THROAT PLATE	FOR B64				☆	1	
48		MUY128S1003		NEEDLES(PACKAGE_OF_3)						1	
49		40066644		HEAD_COVER	FOR UT					1	
50		40066645		HEAD_COVER						1	
51		70004227		ACCESSORY BAG ASSY	FOR UT					1	
52		22932800		ACCESSORIE BAG				*		1	
53		22933105		SCREW DRIVER,MIDDLE				*		1	
54		12347308		SCREW DRIVER (SMALL)				*		1	
55		12288403		TWEEZERS				*		1	

OPTIONAL PARTS COMPONENTS



OPTIONAL PARTS COMPONENTS

No.	Supply Code	Parts No.	Replacement	Parts name	Remarks	Choice	Step	Level	Cons	Qty	Rep. QTY
1		70005385		AIR_BLOW_HEM_GUIDE_DEVICE						1	
2		70005042		AIR_BLOW_HEM_GUIDE_ASM				*		1	
3		70005033		TUBE_BRACKFT				*		1	
4		70005034		BRACKET				*		1	
5		70005165		AIR_BLOW_TUBE				*		1	
6		70005166		AIR_BLOW_TUBE				*		1	
7		70005281		HEM_GUIDE_RIGHT				*		1	
8		70005282		HEM_GUIDE_BLOCK				*		1	
9		70005283		HEM_GUIDE_LEFT				*		1	
10		SM6850350TP		FLAT SCREW				*		1	
11		PJ305060004		TEE				*		1	
12		BT0600401EB		URETHANE TUBE BLACK 6X4				*		1	
13		PJ308060002		TEE UNION				*		1	
14		BT0400251EB		URETHANE TUBE BLACK 4X2.5				*		1	
15		BT0400251EB		URETHANE TUBE BLACK 4X2.5				*		1	
16		BT0400251EB		URETHANE TUBE BLACK 4X2.5				*		1	
17		BT0400251EB		URETHANE TUBE BLACK 4X2.5				*		1	
18		PC012401000		SPEED CONTROLLER				*		1	
19		SM6040450TP		SCREW M4 L=4				*		1	
20		WP0430801SC		WASHER M4				*		1	

LIST FOR INFORMATION OF CHANGE

As to the place changed, refer to the corresponding Rev.No.
 When previous parts(Obsoleted part)and new parts(Added parts)are
 not interchangeable with each other:
 In this case, even obsoleted parts(D.)can be ordered with the
 obsoleted part number, so select the parts with changed dates and
 place your orders.

変更箇所は、該当Rev.No.版をご参照ください。
 部品の互換性がない変更の場合は、削除された品番でも、ご注文できます。

70001996
 No.1598-02 Rev.No.

*A:Added parts追加部品/D:Obsoleted parts削除部品/E:Erratum訂正

* Rev. No.	Page No.	Ref. No.	Parts No. 品番	* Rev. No.	Page No.	Ref. No.	Parts No. 品番
D 01	4	20	700-01662	A 02	4	20	700-04366
D 01	4	33	700-01648	A 02	4	33	700-04374
D 01	4	52	700-01673	A 02	4	52	700-04372
D 01	6	4	SB-1200018-00				
D 01	6	5	134-07408	A 02	6	5	700-04640
D 01	6	18	SD-0550906-TP	A 02	6	18	SD-055090C-TP
D 01	6	21	700-03278	A 02	6	21	700-04489
D 01	6	25	700-01458	A 02	6	25	700-04484
				A 02	8	48	700-04371
D 01	10	54	SD-0801636-TH	A 02	10	54	SD-080163C-TH
D 01	10	59	SD-0801866-TH	A 02	10	59	SD-080186C-TH
D 01	10	60	SD-0800626-TH	A 02	10	60	SD-080062C-TH
D 01	10	84	700-01719	A 02	10	84	134-11202
D 01	14	37	SM-4850455-SP	A 02	14	37	SM-48504C5-SP
D 01	14	56	SM-4040655-SP	A 02	14	56	SM-40405C5-SP
D 01	16	29	700-01556	A 02	16	29	700-04223
D 01	16	31	700-01563	A 02	16	31	700-04224
D 01	18	22	700-01752	A 02	18	22	700-04734
D 01	18	33	700-01764	A 02	18	33	700-04375
D 01	18	41	700-01751	A 02	18	41	700-04733
				A 02	32	10	700-04610
				A 02	32	14	700-04611
				A 02	32	21	700-04613
				A 02	32	26	700-04612
				A 02	32	28	134-67907
				A 02	32	34	400-38032
				A 02	32	36	134-68103
				A 02	32	38	SM-1850600-SP
				A 02	32	46	133-75308
				A 02	32	48	PS-0150082-KH
				A 02	35	-	ALL PARTS - 全部品

HOW TO MAKE USE OF THIS PARTS LIST

1.Explanation of codes

1)"*"mark.....means this part is changed from the previous parts book.

As to the details of the change, refer to the "List for information of change".

2)"#01".....refer to "Note" explanation at bottom of page.

2.Codes on the "Qty" column

- Each numeral indicates the number of parts required.
- "0.1" and "2.5" indicate the length (in meters) of the respective parts.

3.Parentheses mean that the corresponding part is a subpart that constructs an assembly part.

4.Dotted lines on the Figures indicate assembly parts.

5.As to the parts with marks of "☆"(consumable parts) and "◎"(optional parts)on the respective parts, it is recommended to prepare spares.

1 ."注記"欄の記号説明

1) "*"印.....前回のパーツブックに比較して今回変更された部品を意味します。

変更内容は、"変更情報リスト"を参照してください。

2) "#01".....ページ下の"注記"の説明を参照してください。

2.数量欄の数字は、個数を表し、0.1、2.5等の数値は、長さ（単位メートル）を表します。

3.数量欄の（ ）は、組部品を構成している子部品であることを意味します。

4.イラストページの-----枠は、組構成であることを意味します。

5.リストページの"☆"（消耗部品）、"◎"（オプション部品）の印がついた部品は、予備を準備しておくことをお奨めします。

NUMERICAL INDEX OF PARTS

PART NO	PAGE	REF NO.	PART NO	PAGE	REF NO.	PART NO	PAGE	REF NO.
10753309	2	9	13311907	14	63	13328158	30	1
11856101	44	49	13311956	14	62	13328208	30	4
11856101	50	6	13312103	14	57~59	13328505	30	16
12288403	56	55	13312202	14	57~59	13328554	30	15
12288403	58	55	13312301	14	57~59	13328604	30	17
12347308	56	54	13313101	12	3	13328703	30	18
12347308	58	54	13313309	12	4	13328802	30	27
13120605	18	80	13313804	12	11	13329008	30	13
13120605	36	22	13314109	12	15	13329206	30	22
13123302	22	40	13314356	12	17	13331301	32	8
13140504	40	5	13315205	14	21·67	13332606	32	5
13142500	44	43	13315908	12	8	13338900	30	23
13155403	56	14·15	13317300	16	21	13340005	40	21
13160304	56	5	13318001	18	71	13340104	40	22
13170105	42	33	13318308	18	81	13340302	40	6
13171004	42	34	13318704	16	15~17	13343009	42	2
13217401	22	36	13318803	16	15~17	13343108	42	5
13217500	22	35	13318902	16	15~17	13343207	42	11
13217708	22	38	13321203	22	39	13343306	42	12
13228200	42	10	13323308	16	9~11	13343405	42	7
13228309	42	6	13323407	16	9~11	13343603	44	47
13300801	2	12	13323506	16	9~11	13343801	42	42
13301106	2	25	13324108	8	62	13343900	42	22
13301205	2	24	13324108	10	62	13344056	42	23
13301700	2	15	13324504	26	5	13344155	42	24
13301809	4	30	13324603	26	8	13344502	42	29
13302203	4	17	13324702	26	10	13344601	42	28
13302203	56	23	13324900	26	14	13344700	42	30
13302302	4	32	13325006	26	16	13344809	44	44
13307251	8	46	13325204	26	24	13345053	44	80
13307301	10	51	13325808	28	48	13345202	44	45
13307707	10	74	13325907	28	49	13346101	42	38
13307806	10	65~67	13326004	28	50	13346408	42	69
13308507	8	22	13326103	28	51	13346408	44	69
13309208	10	71	13326202	28	52	13348008	26	19
13309307	10	65~67	13326202	32	35	13348859	56	21
13309406	10	65~67	13326301	26	39	13349600	56	16
13311006	14	49	13326400	26	40	13350004	52	1~3
13311204	14	50	13326509	26	42	13350103	52	1~3
13311253	14	47	13326608	26	44	13350301	52	4·5
13311303	14	56	13326707	28	54	13350400	52	4·5
13311451	14	65	13326806	12	45	13350509	52	1~3
13311501	14	60	13326905	26	35	13352307	56	17·47
13311600	14	68	13328000	30	3	13352406	58	17·47
13311808	14	64	13328109	30	2	13375209	52	30

NUMERICAL INDEX OF PARTS

PART NO	PAGE	REF NO.	PART NO	PAGE	REF NO.	PART NO	PAGE	REF NO.
13375308	54	45·46	13413950	18	86	13424403	36	16
13377106	52	32	13414008	18	88	13424452	36	15
13399209	30	11	13414107	18	92	13424502	36	18
13401906	4	5	13414206	20	94	13424601	36	33
13402003	4	24	13414404	16	42	13424700	38	45
13402706	4	37	13414503	18	61	13424809	38	49
13402805	32	36	13415708	16	26	13426002	42	4
13403605	4	39	13415906	16	29	13426051	42	1
13406707	8	2	13416003	22	9	13426101	42	8
13406905	8	1	13416052	22	8	13426200	42	9
13407903	8	30	13416102	22	10	13426408	42	36
13408307	8	75	13416201	22	11	13426754	44	64
13408307	10	75	13416409	22	16	13426903	6	68
13408406	8	7	13416458	22	15	13427257	44	78
13408505	8	9	13416508	22	19	13427307	44	87
13408604	8	31	13416607	22	17	13427455	44	71
13408703	8	28	13416706	22	23	13427604	42	41
13409107	18	66	13416854	22	22	13427703	44	68
13409602	22	4	13420005	34	8	13427752	44	67
13409651	22	3	13420104	34	11	13427802	44	61
13409701	22	5	13420203	34	15	13427851	44	60
13409800	4	42	13420302	34	17	13428008	46	93
13409800	22	6	13420401	34	1	13428255	44	66
13409909	22	1	13420500	34	5	13428305	44	62
13410204	16	13	13420609	34	6	13429055	50	1
13410600	16	22~24	13420906	34	18	13429105	50	3
13410709	16	22~24	13421003	34	10	13429204	50	4
13410808	16	22~24	13421201	34	2	13429303	50	5
13411152	18	82	13421300	34	12	13430103	54	51·52
13411202	18	84	13421409	34	19	13430707	56	30
13411301	18	76	13422001	36	1	13431200	54	51·52
13411400	18	75	13422605	36	8	13432109	52	15·16
13411509	16	36	13422704	36	19	13432901	58	46
13411707	18	64	13422803	36	21	13433503	52	15·16
13411806	18	69	13422902	36	26	13467907	52	28
13411905	18	52	13423009	36	24	13468103	52	35·36
13412002	18	49	13423306	36	42	13765607	44	63
13412101	18	50	13423405	36	35	22901805	2	34
13412200	18	51	13423504	36	39	22902506	2	2
13412705	22	20	13423603	36	38	22924708	2	11
13413208	22	21	13423702	36	43	22932800	56	52
13413604	18	58	13423801	36	46	22932800	58	52
13413703	18	89	13423801	38	46	22933105	56	53
13413802	18	90	13423900	36	14	22933105	58	53
13413901	18	87	13424304	36	9	22945505	26	43

NUMERICAL INDEX OF PARTS

PART NO	PAGE	REF NO.	PART NO	PAGE	REF NO.	PART NO	PAGE	REF NO.
22945802	26	41	40082975	52	22~26	70001437	8	43
23537202	12	18	40085784	48	8	70001439	8	44
23612609	26	9	40085785	48	11	70001440	10	54
23629306	44	70	40085788	48	15	70001441	10	57
23629504	44	85	40085789	48	14	70001442	10	58
23630007	42	94	40085790	48	16	70001443	10	49
23630007	44	94	40085791	48	17	70001444	10	63
23630007	46	94	40085792	48	13	70001451	8	39
26019000	40	7	40085793	48	12	70001477	12	37
30391601	26	25	40085794	48	4	70001478	12	35
40004749	42	18	40085795	48	3	70001480	12	5
40013913	56	1	40085796	48	10	70001481	12	6
40017824	8	35	40085995	28	55	70001483	12	9
40019163	42	25	40087068	32	3	70001485	12	13
40019335	32	13	40090130	52	22~26	70001486	12	19
40019379	56	12	40090131	52	22~26	70001487	12	29
40026691	56	22	40090132	52	22~26	70001488	12	32
40032763	56	39	40090133	52	17~21	70001489	12	33
40033341	2	14	40090196	52	17~21	70001490	12	34
40038032	52	33-34	40090197	52	17~21	70001491	12	39
40040155	22	33	40096325	48	9	70001492	12	42
40040208	22	26	40096326	48	7	70001493	12	43
40040513	52	11~13	40096327	48	5	70001494	12	22
40040514	52	11~13	40100769	32	34	70001495	12	25
40042363	40	9	40100771	32	26	70001498	12	21·67
40042364	40	10	40100773	32	25	70001499	12	7
40042365	40	11	40101602	40	13	70001500	14	66
40042366	40	12	40102003	40	14	70001524	16	1
40058033	52	11~13	40106574	48	6	70001525	16	2
40058587	52	8~10	40106575	48	2	70001535	10	60
40058706	52	8~10	40106576	48	29	70001536	10	61
40065785	40	2	40106577	48	18	70001537	26	3
40066644	58	49·50	40106578	48	19	70001540	26	18
40066645	58	49·50	40106579	48	30	70001541	26	29
40070224	52	27	40106580	48	28	70001542	26	31
40070226	52	33-34	40106583	48	27	70001543	26	32
40070227	52	35-36	40106592	48	1	70001544	28	58
40070229	54	45-46	70001403	18	67	70001545	28	60
40070230	54	44	70001407	2	28	70001546	26	20
40070231	52	39	70001409	2	7	70001548	26	13
40070573	12	2	70001411	2	1	70001555	30	6
40070574	12	1	70001414	4	40	70001558	30	10
40072505	56	14·15	70001416	2	5	70001559	30	14
40082196	4	15	70001421	2	13	70001584	32	38
40082974	52	17~21	70001436	6	54	70001610	40	1

NUMERICAL INDEX OF PARTS

PART NO	PAGE	REF NO.	PART NO	PAGE	REF NO.	PART NO	PAGE	REF NO.
70001612	40	4	70001710	22	29	70003316	8	41
70001613	40	18	70001711	22	30	70004184	8	38
70001614	40	19	70001712	24	47	70004223	30	29·31
70001615	40	16	70001714	20	97	70004224	30	29·31
70001616	40	17	70001715	16	7	70004227	58	51
70001617	40	15	70001716	16	40	70004366	4	20
70001620	40	8	70001718	22	37	70004371	14	48
70001630	44	48	70001720	16	5	70004372	6	52
70001631	44	57	70001721	16	38	70004374	4	33
70001632	44	56	70001729	32	6	70004375	32	33
70001633	44	51	70001734	32	16	70004484	8	25
70001638	10	55	70001735	32	18	70004489	8	21
70001642	6	58	70001738	32	29	70004610	52	8~10
70001643	6	59	70001745	32	31	70004611	52	14
70001645	6	56	70001749	34	3	70004612	52	22~26
70001650	4	31	70001750	34	14	70004613	52	17~21
70001652	4	45	70001753	32	42	70004640	8	5
70001653	4	3	70001754	32	12	70004733	32	41
70001655	4	2	70001758	32	43	70004734	32	22
70001657	4	1	70001761	36	27	70005033	60	3
70001661	4	10	70001762	36	30	70005034	60	4
70001663	4	21	70001765	16	45	70005042	60	2
70001667	4	12	70001769	42	32	70005165	60	5
70001668	4	26	70001770	42	39	70005166	60	6
70001670	4	27	70001813	56	24	70005281	60	7
70001671	4	35	70001814	56	25	70005282	60	8
70001677	2	22	70001830	6	62	70005283	60	9
70001678	4	46	70001831	6	61	70005385	60	1
70001680	8	15	70001832	56	33	B2546232000	16	30
70001681	8	4	70001837	2	27	B3215470000	18	74
70001682	8	27	70001838	56	27	B9101490000	56	37
70001683	8	29	70001839	56	28	B9214850000	26	21
70001685	8	17	70001840	56	6	BP30000010R	44	91
70001686	8	20	70001842	56	32	BP30000010R	46	91
70001687	8	16	70001844	56	41	BT0400251EB	60	14~17
70001697	16	3	70001845	56	40	BT0600401EB	60	12
70001699	18	55	70001847	56	26	BT0600402EA	50	9
70001700	16	6	70001848	56	29	CM300200001	2	35
70001701	16	39	70001954	34	21	CM300200001	6	63
70001702	16	27	70001962	56	11	CM301300001	2	36
70001703	16	28	70001963	56	9	CQ200000000	18	48
70001705	18	65	70001964	56	8	CQ202000000	16	18·19
70001706	18	68	70001967	56	10	CQ300000001	8	33
70001707	22	25	70001975	46	92	CQ300000001	16	63
70001709	22	28	70001988	32	1	CQ300000001	18	63

NUMERICAL INDEX OF PARTS

PART NO	PAGE	REF NO.	PART NO	PAGE	REF NO.	PART NO	PAGE	REF NO.
CQ303000000	16	25	RE0300000K0	22	45	SM4030455SP	36	32
CQ303000000	30	19	RE0500000K0	16	78	SM4030855SN	2	18
CQ303000000	50	10	RE0500000K0	18	78	SM4030855SN	12	46
CS1000881TP	22	31	RO037180100	4	9	SM4030855SN	26	27
CS1000881TP	26	6	RO055200100	18	77	SM4030855SN	44	53
CS1000881TP	30	25	RO068190100	18	83	SM40405C5SP	28	56
CS1000881TP	36	11	RO068190100	22	27	SM4040655SP	2	23
EA9500B0100	46	96	RO118240100	36	29	SM4040655SP	4	53
J106600000B	56	38	RO195240100	2	10	SM4040655SP	6	53
MML018800CB	56	36	SB110001800	32	7	SM4040655SP	8	40
MUY128S1000	52	49	SB115000600	32	10	SM4040655SP	12	10
MUY128S1000	54	49	SB115002300	8	14	SM4040655SP	22	42
MUY128S1003	58	48	SB120001900	10	68	SM4040655SP	26	53
NM6030001SC	32	37	SB120002200	10	53	SM4040655SP	28	53
NM6030001SD	52	43	SB30800110A	14	51~54	SM4040655SP	32	44
NM6040000SN	2	19	SB30800110B	14	51~54	SM4040655SP	40	23
NM6040000SN	4	51	SB30800110C	14	51~54	SM4040655SP	42	95
NM6040000SN	6	51	SB30800110D	14	51~54	SM4040655SP	44	95
NM6040000SN	16	35	SB32600020A	36	3~7	SM4040655SP	46	95
NM6040000SN	44	97	SB32600020B	36	3~7	SM4040655SP	50	8
NM6040000SN	46	97	SB32600020C	36	3~7	SM4040855SP	2	30
NM6040002SC	48	33	SB32600020D	36	3~7	SM4040855SP	4	60
NM6050001SC	16	79	SB32600020E	36	3~7	SM4040855SP	6	60
NM6050001SC	18	79	SD055090CTP	8	18	SM4040855SP	56	44
NM6050001SC	26	45	SD0640246SP	2	20	SM4041055SP	2	8
NM6050001SC	30	8	SD0640246SP	32	21	SM4041055SP	4	50
NM6050001SC	36	23	SD0700206TP	12	16	SM4041055SP	6	50
NM6050001SC	46	90	SD0700586TP	12	24	SM4041055SP	12	41
NM6050001SE	48	23	SD080062CTH	18	60	SM4041055SP	26	15
NM6060001CP	12	27	SD080163CTH	18	54	SM4041055SP	40	20
NM6080001SC	56	20	SD080186CTH	18	59	SM4041055SP	44	46
NM6850001SC	32	40	SK3412001SE	48	22	SM4041201SC	48	31
PC012401000	60	18	SK3412001SE	56	34	SM4041655SP	40	3
PH0300252C0	4	7	SL4041081SC	50	2	SM4042501SC	48	32
PJ305060004	60	11	SM1030400SP	6	57	SM4051001SE	48	21
PJ308060002	60	13	SM1030501SN	4	28	SM4051055SP	6	64
PS0150042K0	36	20	SM1030800SM	32	4	SM4051255SP	18	85
PS0150065KP	54	47-48	SM1040650TP	26	38	SM4051405SE	48	20
PS0150082KH	26	22	SM1040750TP	28	59	SM4060801SE	2	26
PS0150082KH	54	47-48	SM1040800SP	4	36	SM4850455SP	22	14
PS0300122KH	8	32	SM1040801SC	56	13	SM4850455SP	32	28
PS0400082KP	26	34	SM1040860SP	4	25	SM48504C5SP	26	37
PS0500142KP	12	20	SM1850600SP	52	37-38	SM5030555SN	32	32
PS0500202KP	22	46	SM4030455SN	2	17	SM5050855SN	56	42
RC1900002KP	6	69	SM4030455SP	32	24	SM6030650TP	22	12

NUMERICAL INDEX OF PARTS

PART NO	PAGE	REF NO.	PART NO	PAGE	REF NO.	PART NO	PAGE	REF NO.
SM6030800SP	6	47	SM6850400SP	52	40	SM8060812TP	8	76
SM6040450TP	60	19	SM6850802TN	32	39	SM8060812TP	10	76
SM6040600SP	42	14	SM8030312TP	26	26	SM8060812TP	44	50
SM6040650TP	32	30	SM8030312TP	52	50	SM8060842TP	8	69
SM6040650TP	56	31	SM8030312TP	54	50	SM8060842TP	10	69
SM6040750TP	4	19	SM8030412TP	52	31	SM8061212TP	8	45
SM6040800SP	4	22	SM8031002TP	52	42	SM8080812TP	10	72
SM6040800SP	12	38	SM8040360TP	4	38	SM8550952TP	8	34
SM6040800SP	20	95	SM8040412TP	4	34	SM9061050TP	30	20
SM6040800SP	28	47	SM8040412TP	18	73	SQ0000451MZ	42	15
SM6040800SP	34	4	SM8040412TP	22	7	SQ0000452MZ	44	73
SM6040800SP	52	29	SM8040412TP	30	12	SQ0000453MZ	44	82
SM6041000SP	12	55	SM8040412TP	34	20	SQ0000454MZ	44	83
SM6041000SP	14	55	SM8040412TP	36	48	SQ2050391SD	44	72
SM6041000SP	18	91	SM8040412TP	38	48	SQ2050452MZ	44	88
SM6041000SP	30	30	SM8040512TP	12	44	SQ2060442SD	44	79
SM6041000SP	36	41	SM8040602TP	18	72	SQ2060443SD	42	74
SM6041002TP	38	47	SM8040612TP	22	18	SQ2060443SD	44	74
SM6041200SP	12	14	SM8041012TP	4	13	SQ2060451MZ	42	17
SM6041200SP	30	28	SM8050412TP	8	26	ST4040851SN	26	23
SM6041200SP	44	55	SM8050412TP	30	26	TA0290301M0	50	7
SM6041202TP	12	23	SM8050412TP	36	12	TA0400301M0	36	10
SM6042002TP	16	34	SM8050412TP	42	3	TA0500601M0	18	62
SM6043000SP	42	13	SM8050612TP	8	10	TA0600401R0	36	34
SM6050800SP	4	44	SM8050612TP	16	99	TA0620504R0	32	2
SM6050800SP	32	17	SM8050612TP	20	99	TA0850604R0	2	33
SM6051002TP	12	30	SM8050612TP	22	32	TA0980502R0	4	23
SM6051002TP	26	1	SM8050612TP	26	7	TA1050504R0	2	3
SM6051202TP	12	61	SM8050612TP	32	11	TA1250705R0	2	31
SM6051202TP	14	61	SM8050612TP	34	13	TA2000502R0	6	65
SM6051400SP	16	32	SM8050612TP	36	2	TA2050406R0	2	6
SM6051400SP	22	24	SM8050642TP	36	13	TA2351004R0	6	66
SM6051402TP	26	12	SM8050812TP	20	93	WP0280500SC	32	27
SM6051602TP	6	55	SM8050812TP	36	28	WP0280500SC	52	41
SM6051602TP	42	20	SM8060552TP	8	23	WP0280501SC	26	36
SM6052502TP	22	34	SM8060552TP	16	98	WP0320500SC	36	31
SM6061200SP	10	73	SM8060552TP	18	98	WP0320501SC	32	23
SM6061202TP	12	28	SM8060552TP	20	98	WP0410516SD	32	19
SM6061402TP	10	59	SM8060552TP	22	13	WP0430801SC	60	20
SM6061402TP	30	9	SM8060552TP	32	14	WP0450801SC	6	49
SM6061402TP	36	17	SM8060612TP	6	67	WP0450801SC	28	57
SM6062550TP	12	26	SM8060612TP	8	70	WP0450801SC	56	45
SM6081802TP	42	35	SM8060612TP	10	70	WP0450826SC	12	40
SM6083002TP	42	37	SM8060612TP	16	41	WP0450826SC	22	43
SM6850350TP	60	10	SM8060612TP	30	21	WP0450826SC	26	46

NUMERICAL INDEX OF PARTS

PART NO	PAGE	REF NO.
WP0450826SC	56	35
WP0450846SP	20	96
WP0460556SD	22	44
WP0522016SH	26	4
WP0531000SD	4	43
WP0531001SC	48	24
WP0550800SP	30	7
WP0550800SP	42	19
WP0550836SC	56	43
WP0551016SH	12	31
WP0621016SD	22	41
WP0851216SC	56	18
WP1022016SH	30	24
WP1612616SE	48	25
WS0510002KN	26	11
WS0510002KN	48	26
WS0510002KP	4	41
WS0510002KP	26	2
WS0820002KR	56	19
WZ0641510KP	2	16
WZ0641510KP	32	20