

MODEL : MF-7500D SERIES

List No : 1617-01

# PARTS LIST

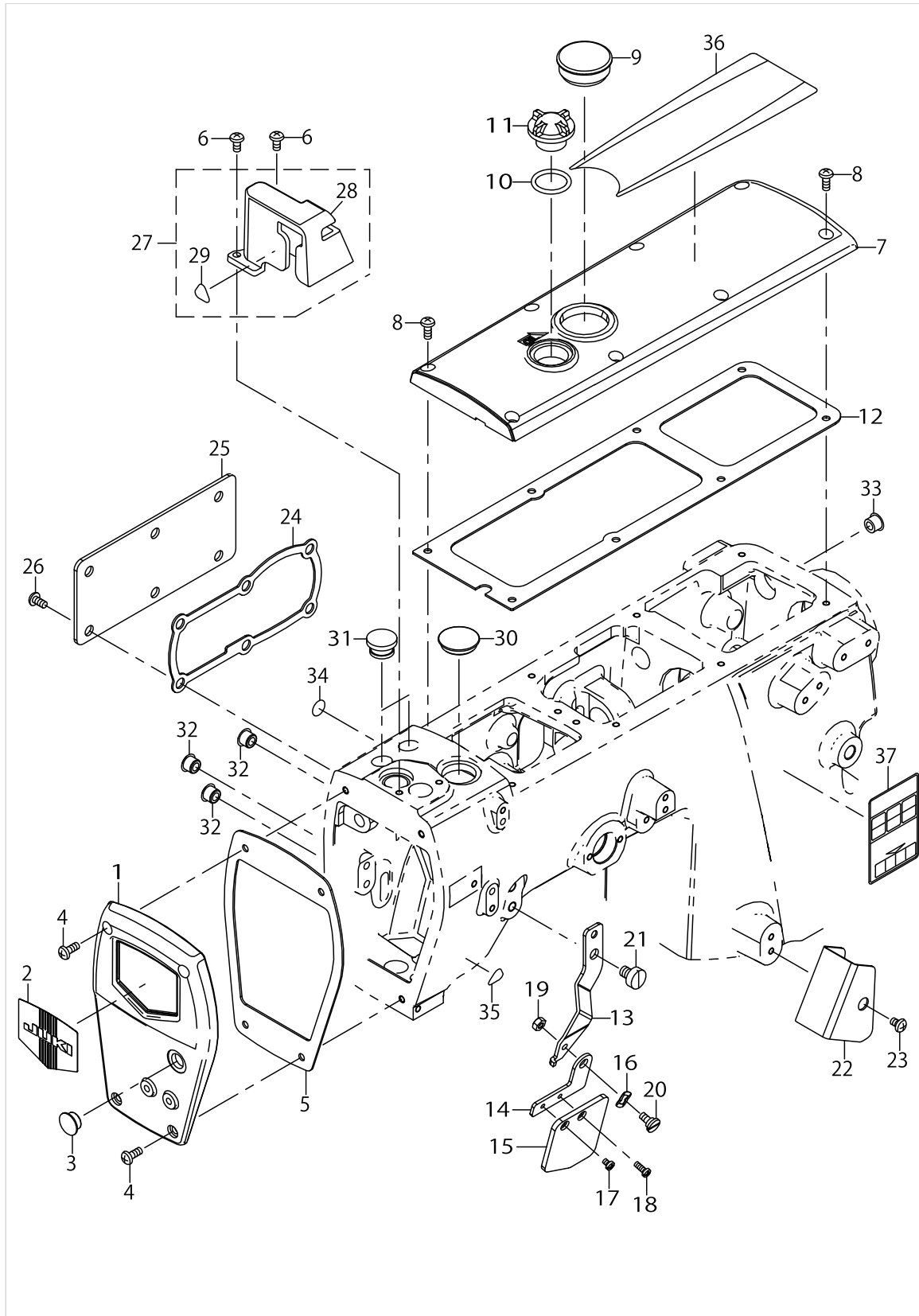
Published:05/12/2017

## CONTENTS

---

MISCELLANEOUS COVER COMPONENTS (1).....	1
MISCELLANEOUS COVER COMPONENTS (2).....	3
MAIN SHAFT COMPONENTS .....	7
NEEDLE BAR & PRESSER COMPONENTS.....	11
FEED DRIVE COMPONENTS (1) .....	15
FEED DRIVE COMPONENTS (2) .....	21
THREAD TAKE-UP LEVER COMPONENTS.....	23
SPREADER COMPONENTS.....	27
LOWER THREAD CAM COMPONENTS.....	29
NEEDLE GUARD COMPONENTS.....	31
LOOPER COMPONENTS .....	33
THREAD TENSION COMPONENTS .....	35
LUBRICATION COMPONENTS .....	37
THREAD STAND COMPONENTS.....	41
GAUGE PARTS COMPONENTS .....	43
NEEDLE COOLING COMPONENTS .....	45
ACCESSORIES PARTS COMPONENTS .....	47
HOW TO MAKE USE OF THIS PARTS LIST .....	51

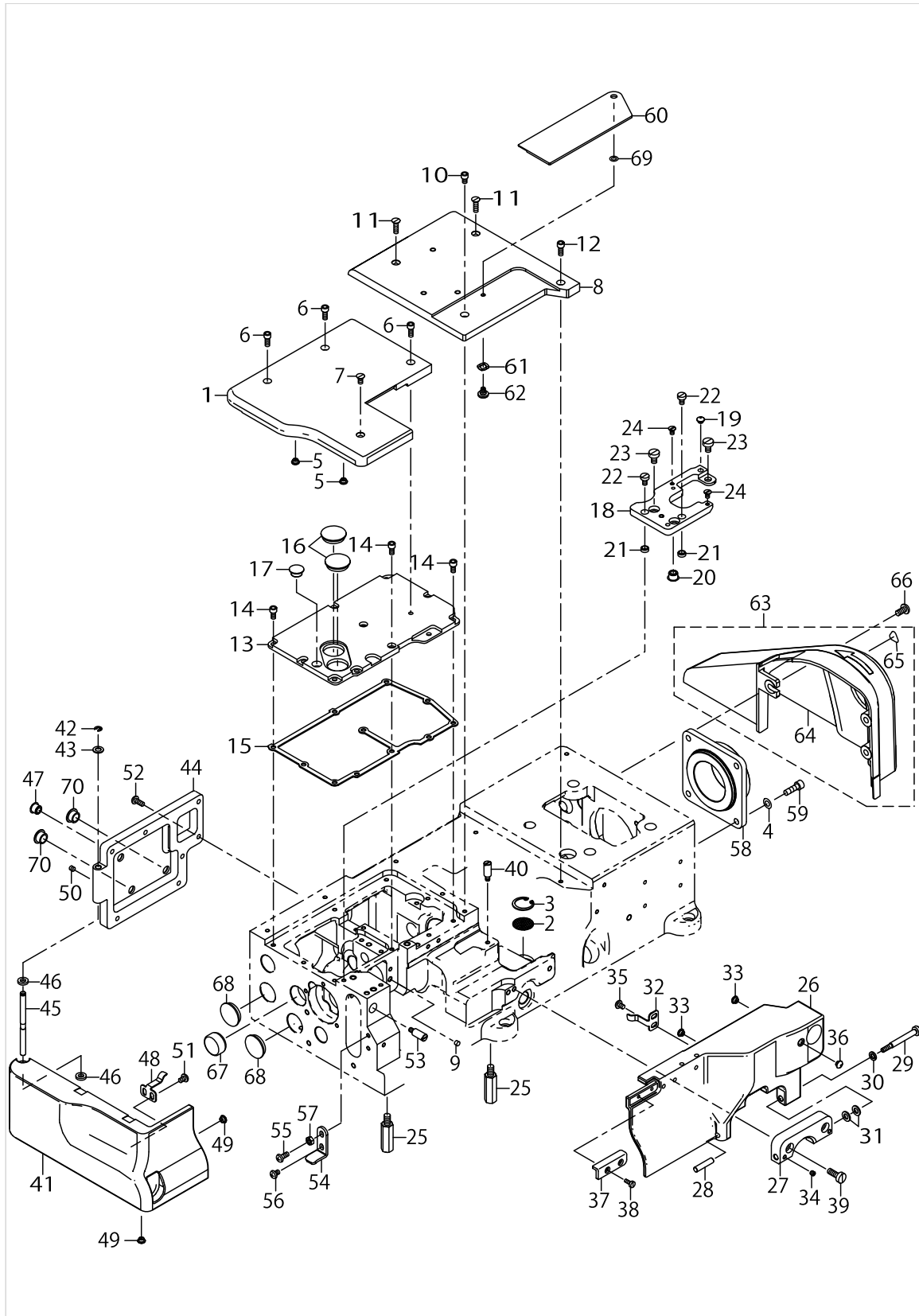
MISCELLANEOUS COVER COMPONENTS (1)



MISCELLANEOUS COVER COMPONENTS (1)

No.	Supply Code	Parts No.	Replacement	Parts name	Remarks	Choice	Step	Level	Cons	Qty	Rep. QTY
1		70001411		FACE COVER						1	
2		22902506		PLATE						1	
3		TA1050504R0		RUBBER PLUG						1	
4		SM4041055SP		SCREW						4	
5		70001416		GASKET H						1	
6		SM4040855SP		SCREW						2	
7		70001409		TOP COVER						1	
8		SM4041055SP		SCREW						8	
9		10753309		WINDOW PLATE RUBBER PLUG						1	
10		RO195240100		O-RING						1	
11		22924708		OIL SIGHT WINDOW						1	
12		13300801		GASKET T						1	
13		70001421		BRACKET HOLDER						1	
14		40033341		BRACKET						1	
15		13301700		PROTECTION SHIELD						1	
16		WZ0641510KP		WAVED WASHER 6.4X11X0.3						1	
17		SM4030455SN		SCREW						1	
18		SM4030855SN		SCREW M3 L=8.0						1	
19		NM6040000SN		NUT M4						1	
20		SD0640246SP		SHOULDER SCREW D=6.35 H=2.4						1	
21		SM4060801SE		SCREW						1	
22		70001422		THREAD COVER						1	
23		SM4040655SP		SCREW M4 L=6						1	
24		13301205		GASKET P						1	
25		13301106		PULLER DRIVE COVER						1	
26		SM4060801SE		SCREW						6	
27		70001837		NEEDLE BAR GUARD ASSY						1	
28		70001407		NEEDLE BAR GUARD				*		1	
29		CM300200001		FINGER INJURY CAUTION LABEL (16)				*		1	
30		TA2050406R0		RUBBER PLUG						1	
31		TA1250705R0		RUBBER PLUG						2	
32		TA0850604R0		RUBBER PLUG						3	
33		TA0850604R0		RUBBER PLUG						1	
34		22901805		GROUND MARK						1	
35		CM300200001		FINGER INJURY CAUTION LABEL (16)						1	
36		70001430		SEMI DRY LABEL						1	
37		CM301200001		SAFETY LABEL S						1	

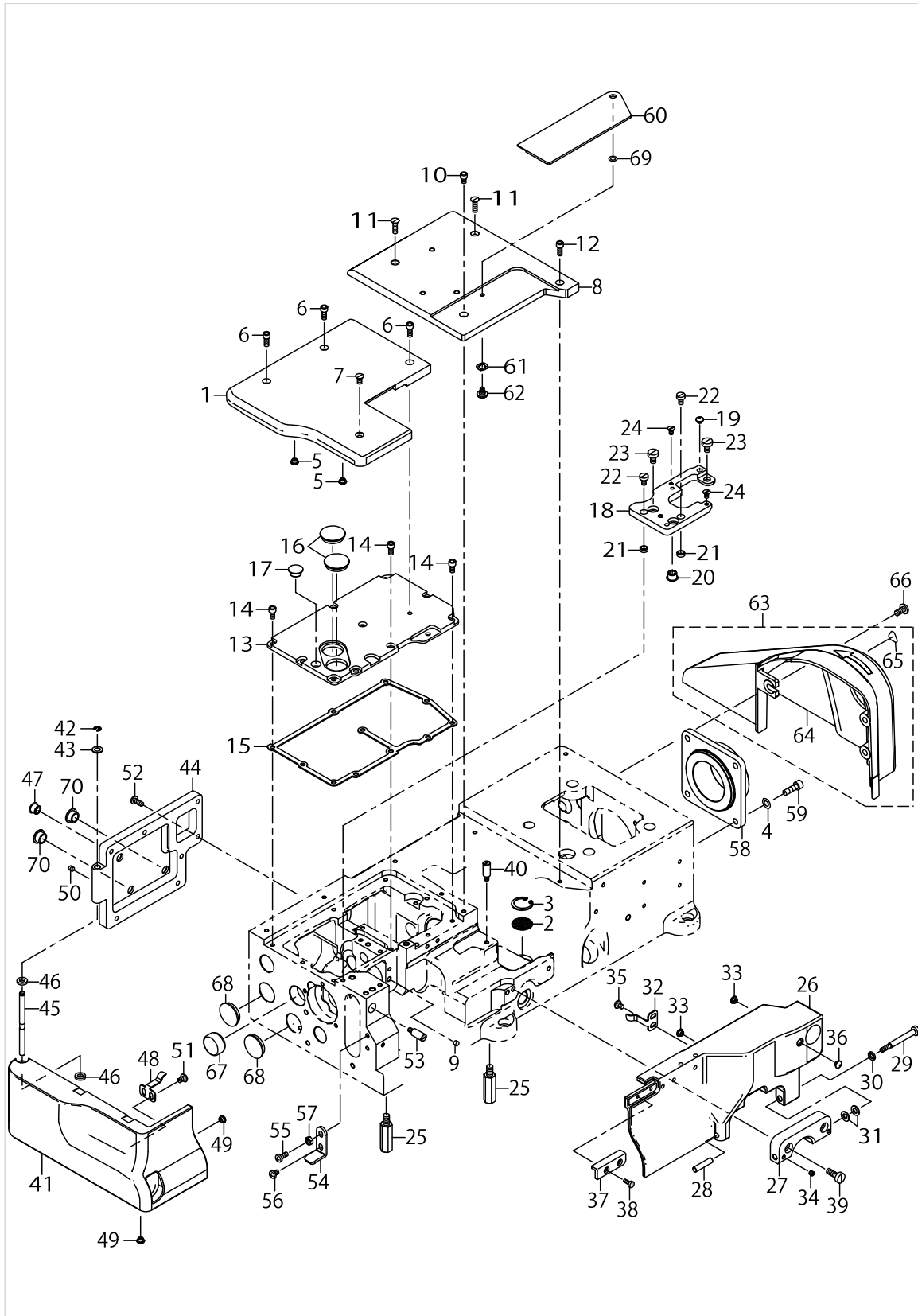
MISCELLANEOUS COVER COMPONENTS (2)



MISCELLANEOUS COVER COMPONENTS (2)

No.	Supply Code	Parts No.	Replacement	Parts name	Remarks	Choice	Step	Level	Cons	Qty	Rep. QTY
1		70001420		CLOTH PLATE LEFT						1	
2		13426903		MESH PLATE						1	
3		RC1900002KP		C-RING 19(20.5)						1	
4		WP0531000SD		WASHER M5						4	
5		13302302		RUBBER BUMPER						2	
6		SM6041002TP		SCREW M4X0.7 L=10						3	
7		SM1040800SP		SCREW						1	
8		70001978		CLOTH_PLATE_RIGHT						1	
9		TA0400301M0		PLUG D=4X4.5 L=3						1	
10		SM6040602TP		SCREW M4X0.7 L=6						1	
11		SM1041400SP		SCREW						2	
12		SM6041002TP		SCREW M4X0.7 L=10						1	
13		70001415		BED TOP COVER						1	
14		SM6040800SP		SCREW						11	
15		70001423		GASKET B						1	
16		TA2050416R0		RUBBER PLUG						2	
17		TA1050504R0		RUBBER PLUG						1	
18		70001424		THROAT PLATE SUPPORT						1	
19		13302302		RUBBER BUMPER						1	
20		TA0850604R0		RUBBER PLUG						1	
21		40082196		ADJUSTING COLLAR						2	
22		SM6040750TP		SCREW M4 L=7						2	
23		SM6050800SP		SCREW M5 L=8						3	
24		13302203		SCREW						2	
25		13301809		SUPPORT STUD						4	
26		70001426		SWING DOWN COVER						1	
27	R	70001431	70004972	HINGE						1	1.00
28		13409800		DIFF LINK PIN						1	
29		70001414		SCREW						1	
30		WS0510002KP		SPRING WASHER 5.1X9.2X1.3						1	
31		WP0531000SC		WASHER 5.3X10X1						2	
32		13304308		LATCH SPRING						1	
33		13302302		RUBBER BUMPER						2	
34		SM8040412TP		SET SCREW M4 L=4						2	
35		SM4040655SP		SCREW M4 L=6						2	
36		13302302		RUBBER BUMPER						1	
37		40099371		BRACKET						1	
38		SM6030800SP		SCREW M3X0.5 L=8						2	
39		SM6051400SP		SCREW						2	
40		13302104		PIN						1	
41		70001418		SIDE COVER						1	
42		RE0300000K0		E-RING 3						1	
43		WP0550800SP		WASHER 5.5X10X0.8						1	
44		70001659		FEED CHAMBER COVER						1	
45		13305107		PIN FOR SIDE COVER						1	
46		13302708		RUBBER WASHER						2	

MISCELLANEOUS COVER COMPONENTS (2)

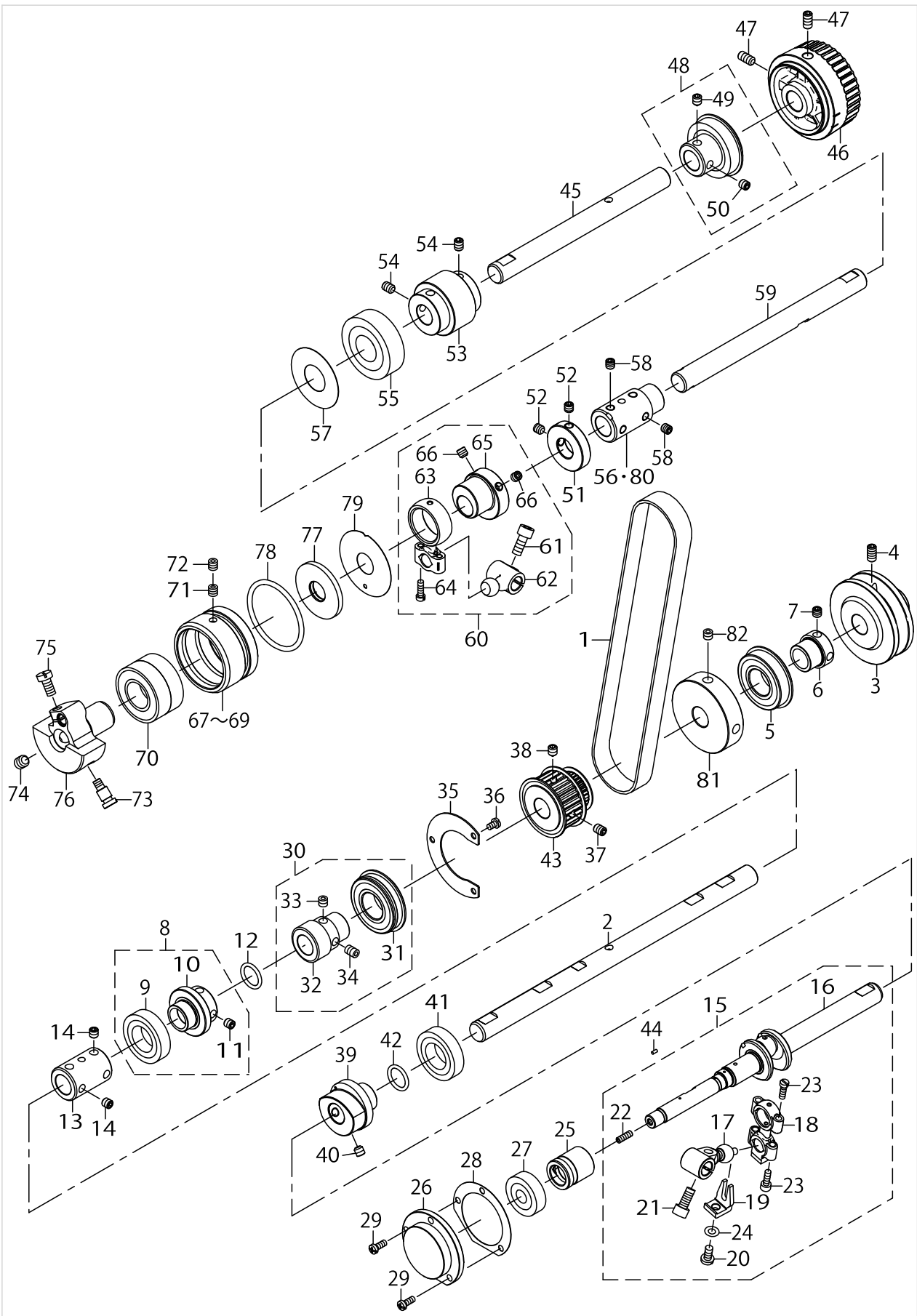


MISCELLANEOUS COVER COMPONENTS (2)

No.	Supply Code	Parts No.	Replacement	Parts name	Remarks	Choice	Step	Level	Cons	Qty	Rep. QTY
47		TA0850604R0		RUBBER PLUG						1	
48		13304308		LATCH SPRING						1	
49		13302302		RUBBER BUMPER						2	
50		SM8040412TP		SET SCREW M4 L=4						1	
51		SM4040555SP		SCREW						2	
52		SM4041055SP		SCREW						7	
53		13302104		PIN						1	
54		13304209		SUPPORT BRACKET						1	
55		SM4041055SP		SCREW						1	
56		SM4040655SP		SCREW M4 L=6						1	
57		NM6040000SN		NUT M4						1	
58		70001436		HOUSING						1	
59		SM6051602TP		SCREW M5X0.8 L=16						4	
60		70001976		SLIDE_COVER						1	
61		WZ0641510KP		WAVED WASHER 6.4X11X0.3						1	
62		SD0600266TP		SHOULDER SCREW D=6 H=2.6						1	
63		70001831		DRIVING BELT COVER ASSY						1	
64		70001830		DRIVINGBELTCOVER				*		1	
65		CM300200001		FINGER INJURY CAUTION LABEL (16)				*		1	
66		SM4051055SP		SCREW						3	
67		TA2101002R0		RUBBER PLUG						1	
68		TA2050416R0		RUBBER PLUG						2	
69		WP0450000SD		WASHER 4.5X8X0.5						1	
70		TA1050504R0		RUBBER PLUG						2	



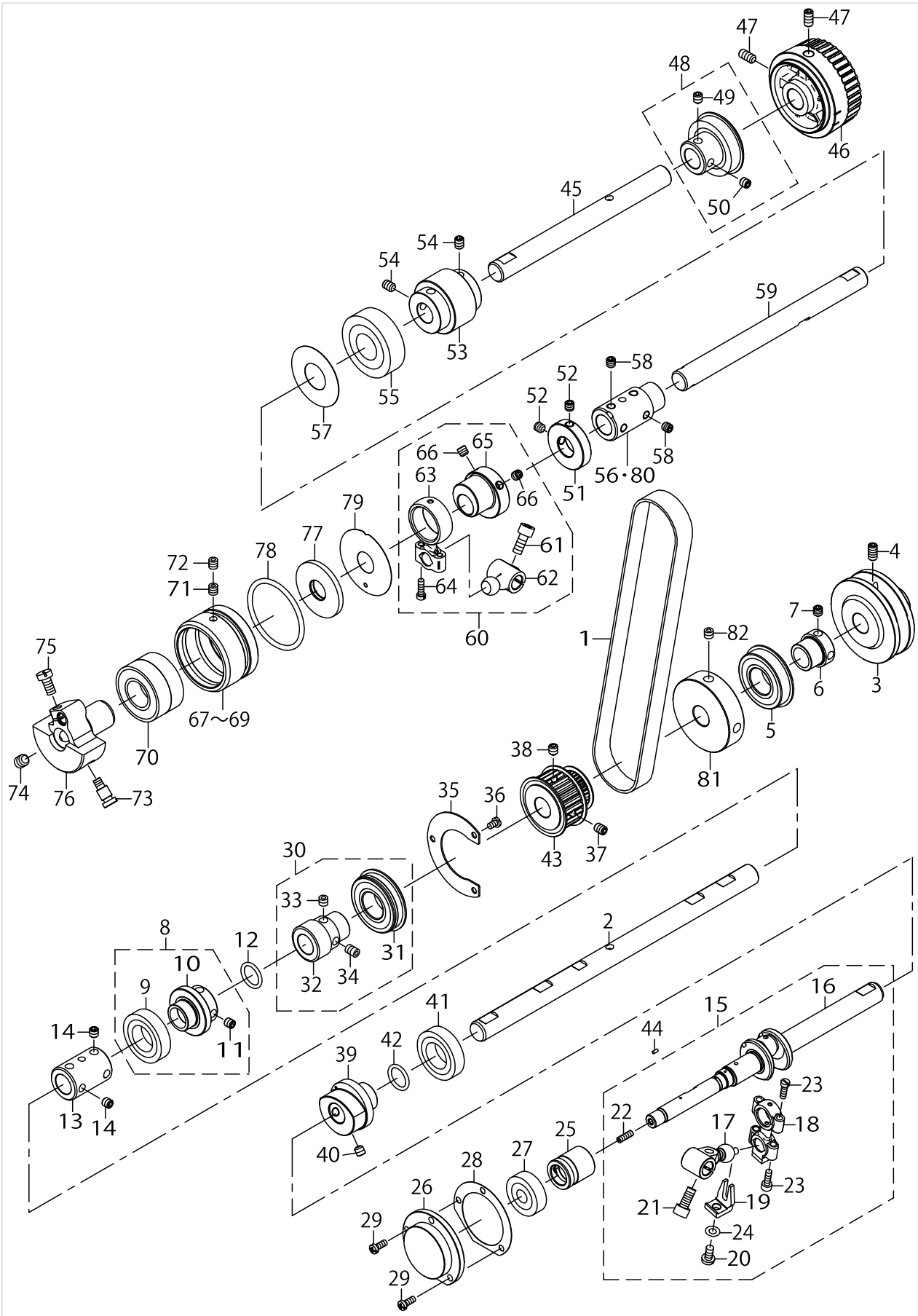
MAIN SHAFT COMPONENTS



MAIN SHAFT COMPONENTS

No.	Supply Code	Parts No.	Replacement	Parts name	Remarks	Choice	Step	Level	Cons	Qty	Rep. QTY
1		13308804		TIMING_BELT						1	
2		70001445		LOWER_MAINSHAFT_RIGHT						1	
3		13406707		LOWER_PULLEY						1	
4		SM8061212TP		SCREW M6X12						2	
5		SB120001800		BEARING						1	
6		13407408		COUPLING E						1	
7		SM8060612TP		SCREW M6 L=6						2	
8		13308457		BEARING_ASSY_C						1	
9		SB120001500		BEARING				*		1	
10	D	40018922		COUPLING_C				*		1	
11		SM8060612TP		SCREW M6 L=6				*		2	
12		RO148240200		RUBBER RING						1	
13		13307509		JOINT						1	
14		SM8060612TP		SCREW M6 L=6						4	
15		70001446		LMS_LEFT_ASSY						1	
16		70001434		LOWER_MAINSHAFT_LEFT				*		1	
17		70001600		LOOPER_DRIVE				*		1	
18		70001599		LOOPER_ROD_DRIVE				*		1	
19	R	13337100	13308150	GUIDE LOOPER ROD				*		1	1.00
20		SM4051055SP		SCREW				*		1	
21		SM6061402TP		SCREW M6 L=14				*		1	
22		SM8040412TP		SET SCREW M4 L=4				*		1	
23		13324108		SCREW				*		4	
24		WS0510002KP		SPRING WASHER 5.1X9.2X1.3				*		1	
25		70001447		BUSHING_LMS_MIDDLE						1	
26		70001448		BUSHING_LMS_LEFT						1	
27		SB110002300		BEARING						1	
28		13308705		GASKET FOR BUSHING LEFT						1	
29		SM4041055SP		SCREW						3	
30		70003278		LMS_WORM_ASSY						1	
31	R	70001458	70003278	BEARING				*		1	1.00
32		13308507		COUPLING D				*		1	
33		SM8060842TP		SCREW M6 L=8				*		1	
34		SM8060552TP		SCREW M6 L=5				*		1	
35		70001451		THRUST_PLATE						1	
36		SM4040655SP		SCREW M4 L=6						3	
37		SM8060812TP		SCREW M6 L=8						1	
38		SM8060842TP		SCREW M6 L=8						1	
39		70001453		BEARING HOLDER						1	
40		SM8060612TP		SCREW M6 L=6						2	
41		SB120001500		BEARING						1	
42		RO148240200		RUBBER RING						1	
43		70004184		LMS_SPROCKET						1	
44		40035711		OIL WICK						2	
45		70001437		UPPER_MAINSHAFT_RIGHT						1	
46		70001439		UPPER_PULLEY						1	

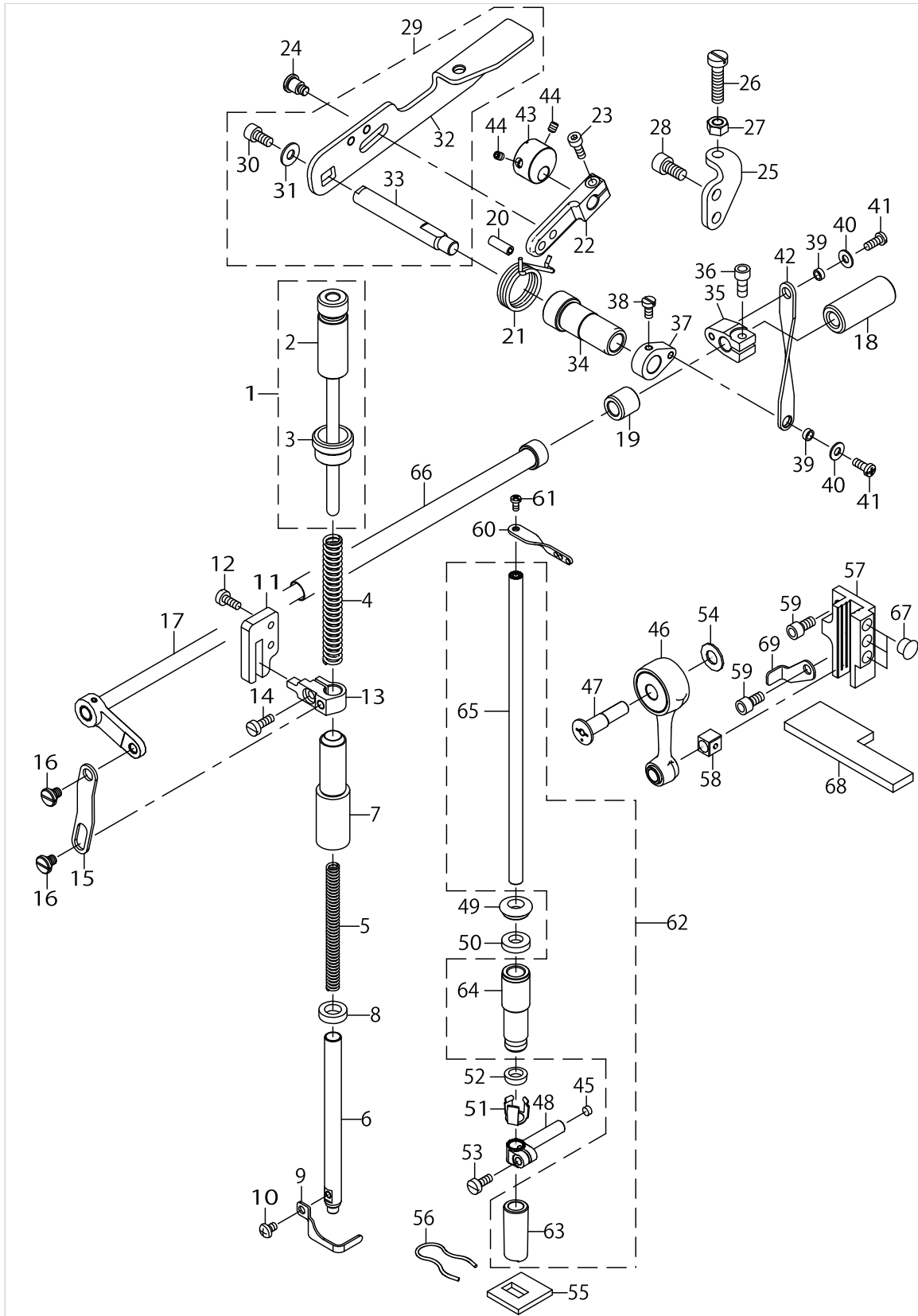
MAIN SHAFT COMPONENTS



MAIN SHAFT COMPONENTS

No.	Supply Code	Parts No.	Replacement	Parts name	Remarks	Choice	Step	Level	Cons	Qty	Rep. QTY
47		SM8061212TP		SCREW M6X12							2
48		13307251		BEARING ASSY A							1
49		SM8060842TP		SCREW M6 L=8				*			1
50		SM8060612TP		SCREW M6 L=6				*			1
51		70001443		COLLAR							1
52		SM8060612TP		SCREW M6 L=6							2
53		13307301		UMS_SPROCKET							1
54		SM8060812TP		SCREW M6 L=8							4
55		SB120002200		BEARING							1
56		70001440		COUPLING_B							1
57		70001638		BEARING_COVER_PLATE							1
58		SM8060612TP		SCREW M6 L=6							4
59		70001454		UPPER_MAINSHAFT_LEFT_DRY							1
60		70001442		TAKE_UP_ROD_ASSY							1
61		SM6061402TP		SCREW M6 L=14				*			1
62		70001535		CRANK				*			1
63		70001536		ROD				*			1
64		13324108		SCREW				*			2
65		70001444		TAKE_UP_ECCENTRIC				*			1
66		SM8060612TP		SCREW M6 L=6				*			2
67		40078278		HOUSING_A	SELECTIVE PARTS						1
68		40078279		HOUSING_B	SELECTIVE PARTS						1
69		40078280		HOUSING_C	SELECTIVE PARTS						1
70		SB120001900		BEARING							1
71		SM8060842TP		SCREW M6 L=8							1
72		SM8060612TP		SCREW M6 L=6							1
73		13309208		SCREW_FOR_COUNTERWEIGHT							1
74		SM8080812TP		SCREW M8X8							1
75		SM6061200SP		SCREW							1
76		70001432		COUNTER_WEIGHT_DRY							1
77		40078282		OIL SEAL							1
78		RO445300100		RUBBER RING							1
79		40081965		OIL_BLOCK_PLATE							1
80		70003331		COUPLING_B	FOR UT35,UT37						1
81		70003316		FLY_WHEEL							1
82		SM8060612TP		SCREW M6 L=6							2

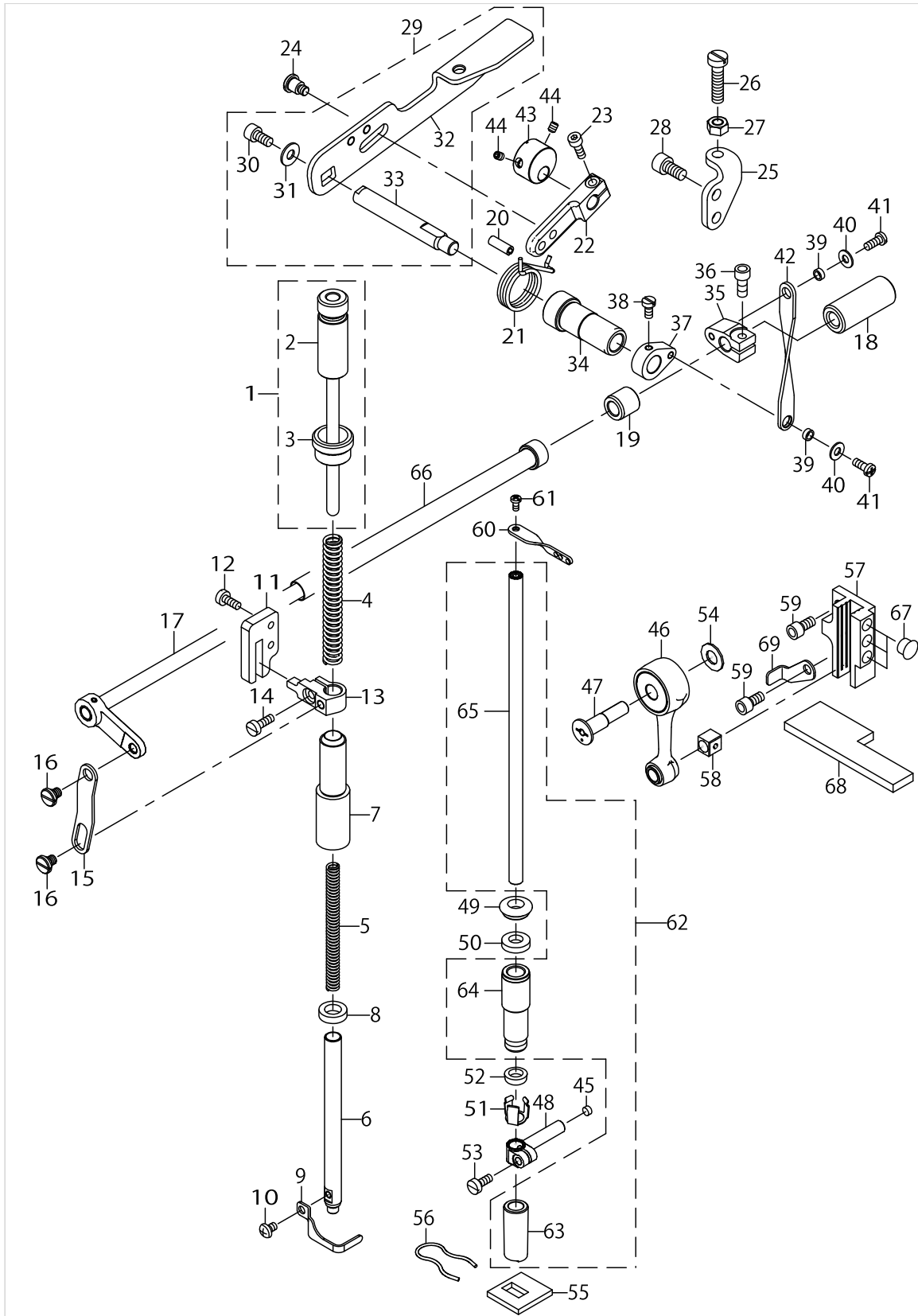
# NEEDLE BAR & PRESSER COMPONENTS



NEEDLE BAR & PRESSER COMPONENTS

No.	Supply Code	Parts No.	Replacement	Parts name	Remarks	Choice	Step	Level	Cons	Qty	Rep. QTY
1		40070574		ADJ_SCREW_P_B_NUT_ASSY						1	
2		40070573		ADJ_SCREW_P_B_ASSY				*		1	
3	R	13313101	13313068	LOCKING NUT				*		1	1.00
4		13313309		SPRING PRESSER BAR A						1	
5		70001480		SPRING_PRESSER_BAR_B						1	
6		70001481		PRESSER_BAR						1	
7		70001499		BUSHING_PRESSER_BAR						1	
8		13315908		OIL SEAL						1	
9		70001483		FINGER_GUARD						1	
10		SM4040655SP		SCREW M4 L=6						1	
11		13313804		GUIDE PLATE						1	
12		SM6041000SP		SCREW M4 L=10						2	
13		70001485		PRESSER_BAR_BRACKET						1	
14		SM6041200SP		SCREW M4 L=12						1	
15		13314109		LINK						1	
16		SD0700206TP		SHOULDER SCREW						2	
17		40078307		ASSY_LIFTER_SHAFT_DRY						1	
18		70001500		BUSHING_LIFTER_REAR						1	
19		70001486		BUSHING_LIFTER_FRONT						1	
20		PS0500142KP		SPRING PIN						1	
21		70001498		SPRING_LIFTER_LEVER						1	
22		70001494		TENSION_RELEASE_LEVER						1	
23		SM6041202TP		SCREW M4X0.7 L=12						1	
24		SD0700586TP		SHOULDER SCREW						1	
25		70001495		LIFTER_LEVER_STOPPER						1	
26		SM6062550TP		SCREW M6 L=25						1	
27		NM6060001CP		NUT M6						1	
28		SM6061202TP		SCREW M6 L=12						2	
29		70001487		LIFTER_LEVER_ASSY						1	
30		SM6051002TP		SCREW M5X0.8 L=10				*		1	
31		WP0551016SH		WASHER 5.5X13X1				*		1	
32		70001488		LIFTER_LEVER				*		1	
33		70001489		LIFTER_LEVER_SHAFT				*		1	
34		70001490		BUSHING_LIFTER_LEVER						1	
35		70001478		LIFTER_SHAFT_LEVER						1	
36		SM6051202TP		SCREW M5X0.8 L=12						1	
37		70001477		LIFTER_LEVER_COLLAR						1	
38		SM6040800SP		SCREW						1	
39		70001491		SPACER						2	
40		WP0450826SC		WASHER 4.5X10X0.8						2	
41		SM4041055SP		SCREW						2	
42		70001492		LIFTER_LEVER_LINK						1	
43		70001493		MINUTES_LIFTING_COLLAR						1	
44		SM8040512TP		SCREW						2	
45		40078293		PLUG						1	
46		70001465		ASSY_NEEDLE_CRANK_ROD						1	

# NEEDLE BAR & PRESSER COMPONENTS

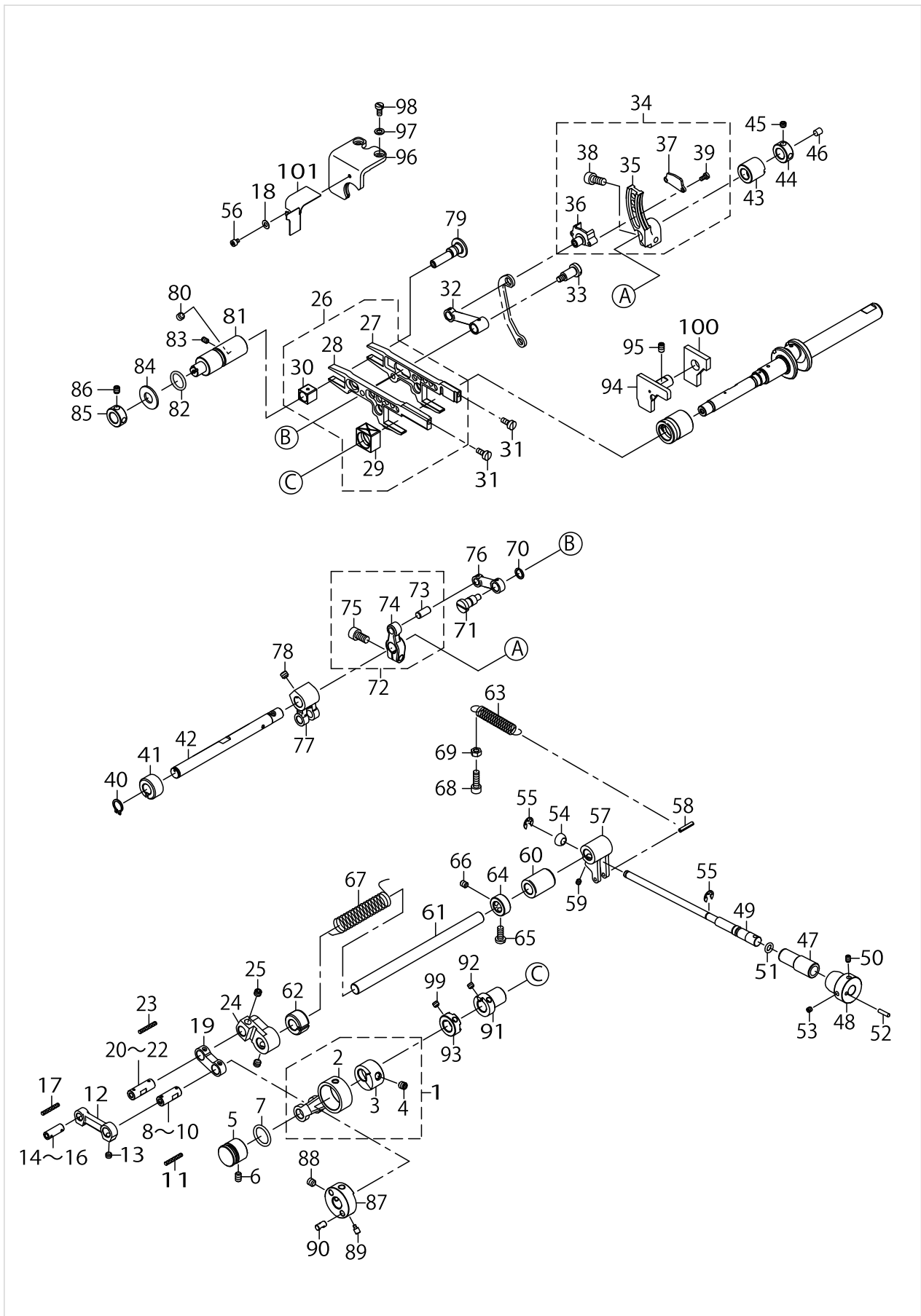


NEEDLE BAR & PRESSER COMPONENTS

No.	Supply Code	Parts No.	Replacement	Parts name	Remarks	Choice	Step	Level	Cons	Qty	Rep. QTY
47		70001462		ECCENTRIC_PIN_DRY						1	
48		40078292		NEEDLE_BAR_CLAMP						1	
49		40078305		BUSHING_NB_U_PRESSER_A						1	
50		40078302		BUSHING_NB_U_FELT_A						1	
51		40078306		BUSHING_NB_U_PRESSER_B						1	
52		40078303		BUSHING_NB_U_FELT_B						1	
53		SM6041000SP		SCREW M4 L=10						1	
54		40078291		WASHER						1	
55		40078301		BUSHING_NB_L_FELT						1	
56		40078304		BUSHING_NB_L_PRESSER						1	
57		70001463		NEEDLE_BAR_GUIDE						1	
58		40078295		SLIDE_BLOCK						1	
59		SM6051202TP		SCREW M5X0.8 L=12						3	
60		13326806		NEEDLE BAR EYELET						1	
61		SM4030855SN		SCREW M3 L=8.0						1	
62		40078317		ASSY_BUSHING_NB_DRY						1	
63		40078299		BUSHING_NB_LOWER				*		1	
64		40078300		BUSHING_NB_UPPER				*		1	
65	R	40078296	40078317	NEEDLE BAR ASSY				*		1	1.00
66		40078320		PIPE_ASSY						1	
67		TA0850604R0		RUBBER PLUG						4	
68		40087083		FELT						1	
69		40087101		FELT PRESSER						1	



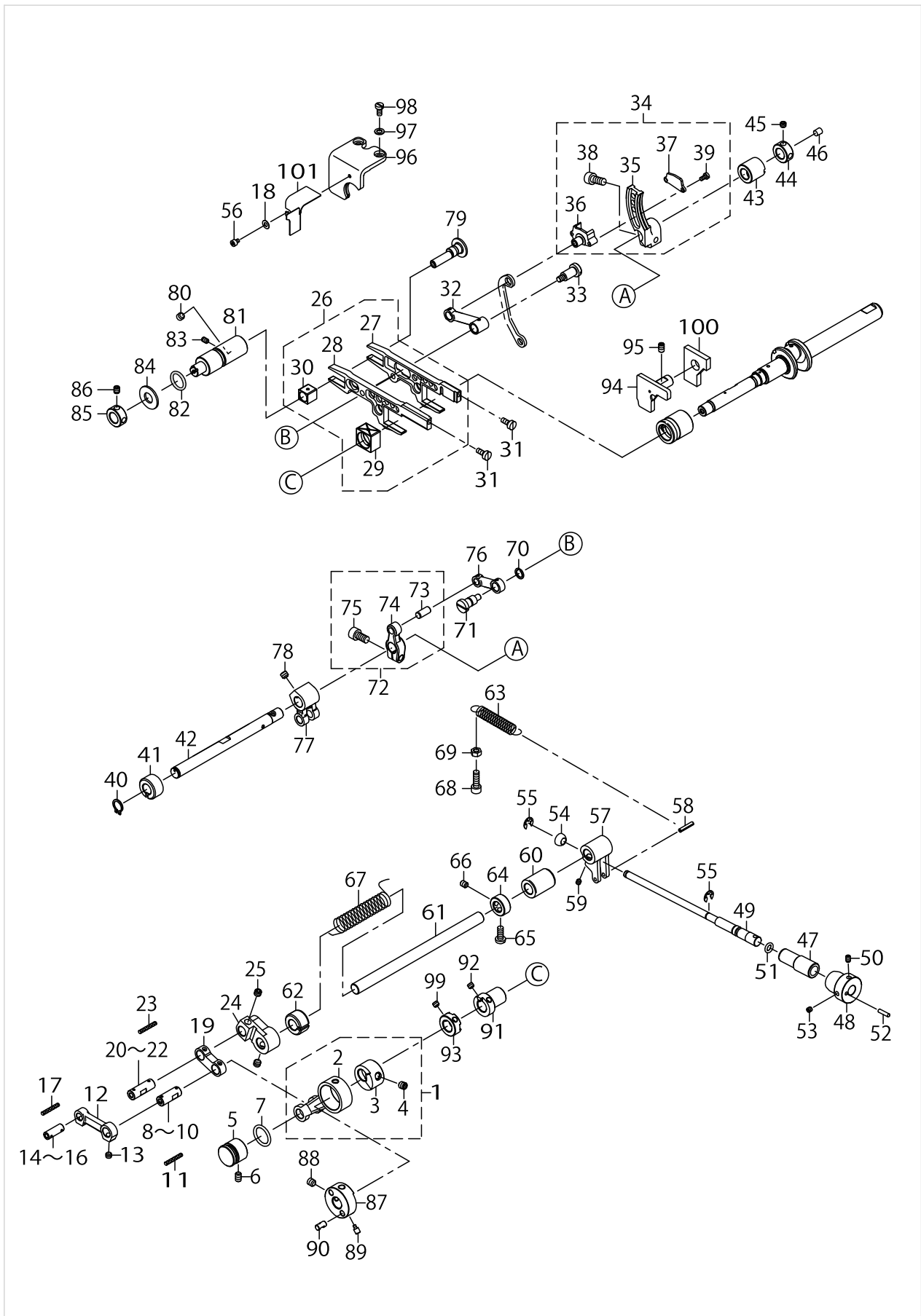
FEED DRIVE COMPONENTS (1)



FEED DRIVE COMPONENTS (1)

No.	Supply Code	Parts No.	Replacement	Parts name	Remarks	Choice	Step	Level	Cons	Qty	Rep. QTY
1		70001521		FEED ECCENTRIC HORIZON ASSY						1	
2		70001505		CRNAK ROD				*		1	
3	R	70001522	70001521	FEED ECCENTRIC HORIZON				*		1	1.00
4		SM8060612TP		SCREW M6 L=6				*		2	
5		13323803		CRANK ROD GUIDE						1	
6		SM8050812TP		SCREW M5X8						1	
7		RO158240100		O-RING						1	
8		13323308		FEED ADJ LINK PIN A	SELECTIVE PARTS					1	
9		13323407		FEED ADJ LINK PIN B	SELECTIVE PARTS					1	
10		13323506		FEED ADJ LINK PIN C	SELECTIVE PARTS					1	
11		CQ303000000		COTTON OIL WICK D=3						.07	
12		13317201		MAIN FEED DRIVE LINK						1	
13		SM8050612TP		SCREW M5X6						2	
14		13318704		MAIN FEED CRANK PIN A	SELECTIVE PARTS					1	
15		13318803		MAIN FEED CRANK PIN B	SELECTIVE PARTS					1	
16		13318902		MAIN FEED CRANK PIN C	SELECTIVE PARTS					1	
17		CQ303000000		COTTON OIL WICK D=3						.04	
18		WP0370316SD		WASHER 3.7X8X0.3						1	
19		13317300		ADJUST LINK						1	
20		13317409		FEED ADJ LINK PIN A	SELECTIVE PARTS					1	
21		13317508		FEED ADJ LINK PIN B	SELECTIVE PARTS					1	
22		13317607		FEED ADJ LINK PIN C	SELECTIVE PARTS					1	
23		CQ303000000		COTTON OIL WICK D=3						.08	
24		13317706		MAIN FEED ADJ LEVER						1	
25		SM8060552TP		SCREW M6 L=5						2	
26		70001528		FEED BAR ASSY						1	
27	R	70001959	70001528	MAIN FEED BAR				*		1	1.00
28	R	13321708	13321658	DIFF FEED BAR				*		1	1.00
29		70001509		SLIDE BLOCK				*		1	
30	R	13322409	13321658	SLIDE BLOCK				*		1	1.00
31		SM6041000SP		SCREW M4 L=10						2	
32		13319702		DIFF FEED LINK						1	
33		SD0801326TH		SHOULDER SCREW D=8 H=13.2						1	
34		13319959		DIFFDRIVEARM ASSY						1	
35	R	13319900	13319959	DIFF DRIVE ARM				*		1	1.00
36		13320007		DIFF FEED PIN				*		1	
37		13320106		DIFF FEED PIN PLATE				*		1	
38		SM6061402TP		SCREW M6 L=14				*		1	
39		SM6030600SP		SCREW M3X0.5 L=6				*		2	
40		RC0100001KP		C-RING 10 (9.3)						1	
41		70001510		BUSHING FEED FRONT						1	
42		13319009		ROCKER SHAFT						1	
43		70001511		BUSHING FEED REAR						1	
44		CS1000881TP		THRUST COLLAR D=10 W=8						1	
45		SM8050612TP		SCREW M5X6						2	
46		TA0500601M0		PLUG D=5X5.4 L=6						1	

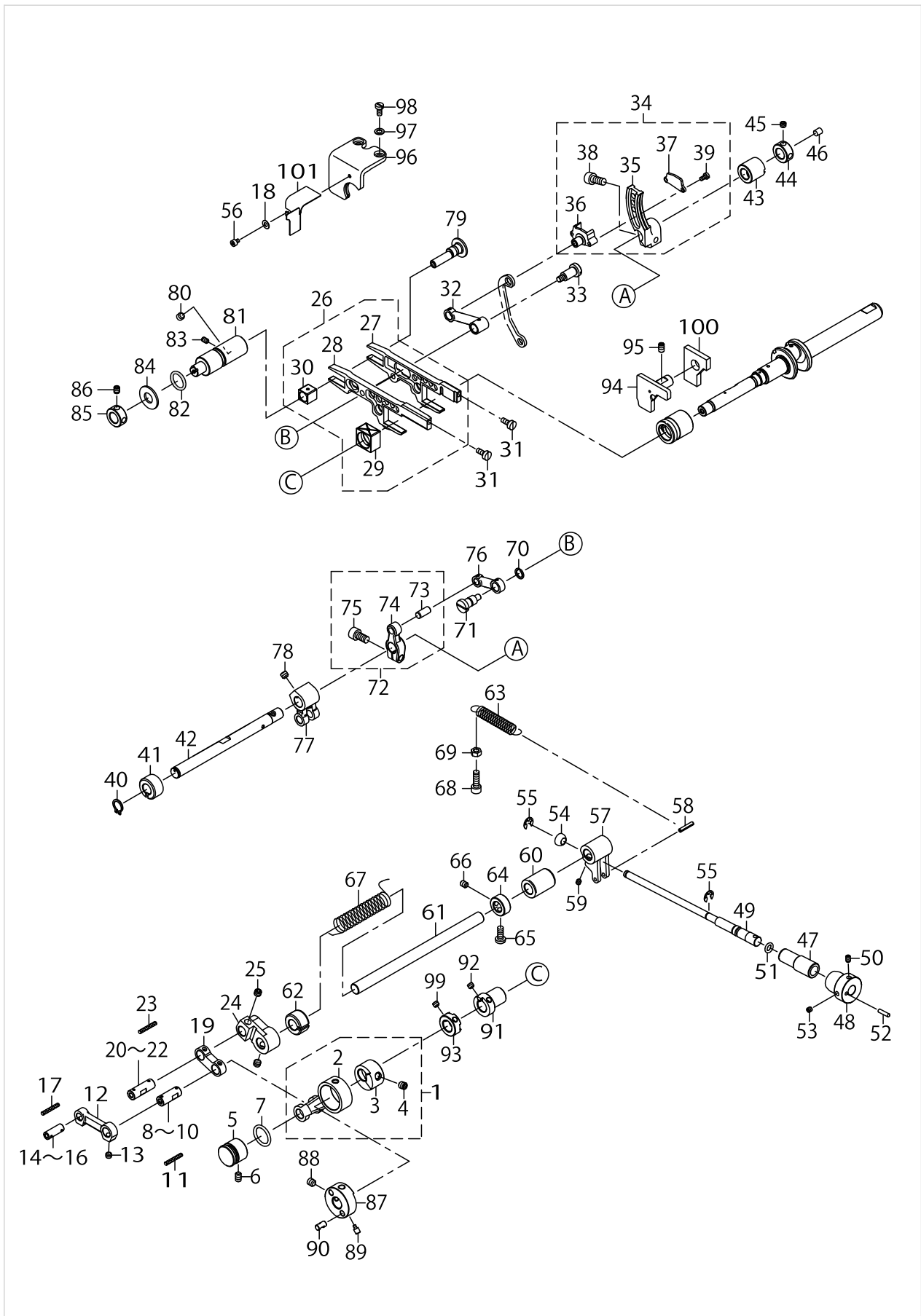
FEED DRIVE COMPONENTS (1)



FEED DRIVE COMPONENTS (1)

No.	Supply Code	Parts No.	Replacement	Parts name	Remarks	Choice	Step	Level	Cons	Qty	Rep. QTY
47		13318209		BUSHING FEED ADJUST						1	
48		13318001		KNOB FEED ADJUST						1	
49		13318100		SHAFT FEED ADJUST						1	
50		SM8040602TP		SCREW M4X0.7 L=6						1	
51		RO055200100		O-RING						1	
52		B3215470000		PIN						1	
53		SM8040412TP		SCREW M4X4						1	
54		13318308		STOPPER FEED ADJUST						1	
55		RE0500000K0		E-RING						2	
56		SM6030402TP		SCREW M3X0.5 L=4						1	
57		13317904		FEED ADJUST LEVER						1	
58		PS0300162KH		SPRING PIN 3X16						1	
59		SM8050612TP		SCREW M5X6						1	
60		70001512		BUSHING FEED ADJUST						1	
61		13317805		FEED ADJUST SHAFT						1	
62		70001510		BUSHING FEED FRONT						1	
63		13318506		TORSIN SPRING						1	
64		CS1000881TP		THRUST COLLAR D=10 W=8						1	
65		SM4051255SP		SCREW						1	
66		SM8050612TP		SCREW M5X6						1	
67		B2556280000		SPRING						1	
68		SM6051602TP		SCREW M5X0.8 L=16						1	
69		NM6050001SC		NUT M5X0.8 TYPE1						1	
70		RC0741013KP		C-RING 8 (7.4)						1	
71		13398409		SHOULDER SCREW						1	
72		70001513		MAIN FEED ROCKER ASSY						1	
73		13319405		MAIN FEED ROCKER PIN					*	1	
74		70001506		MAIN FEED ROCKER					*	1	
75		SM6061202TP		SCREW M6 L=12					*	1	
76		13319504		MAIN FEED LINK						1	
77		13318605		MAIN FEED CRANK						1	
78		SM80606A2TP		SCREW M6 L=6						2	
79		13322201		ECCENTRIC PIN						1	
80		SM8060552TP		SCREW M6 L=5						1	
81		13322003		FEED BAR SHAFT						1	
82		RO137230100		O-RING						1	
83		SM8040612TP		SCREW M4 L=6						1	
84		13322102		WASHER FEED BAR SHAFT						1	
85		CS1000881TP		THRUST COLLAR D=10 W=8						1	
86		SM8050612TP		SCREW M5X6						2	
87		70001523		POSITIONING CAM HORIZON						1	
88		SM8060612TP		SCREW M6 L=6						2	
89		70001524		FEED ECCENTRIC SCREW						1	
90		70001525		FEED ECCENTRIC PIN						1	
91		70001526		FEED ECCENTRIC						1	
92		SM8050412TP		SCREW M5 L=4						2	

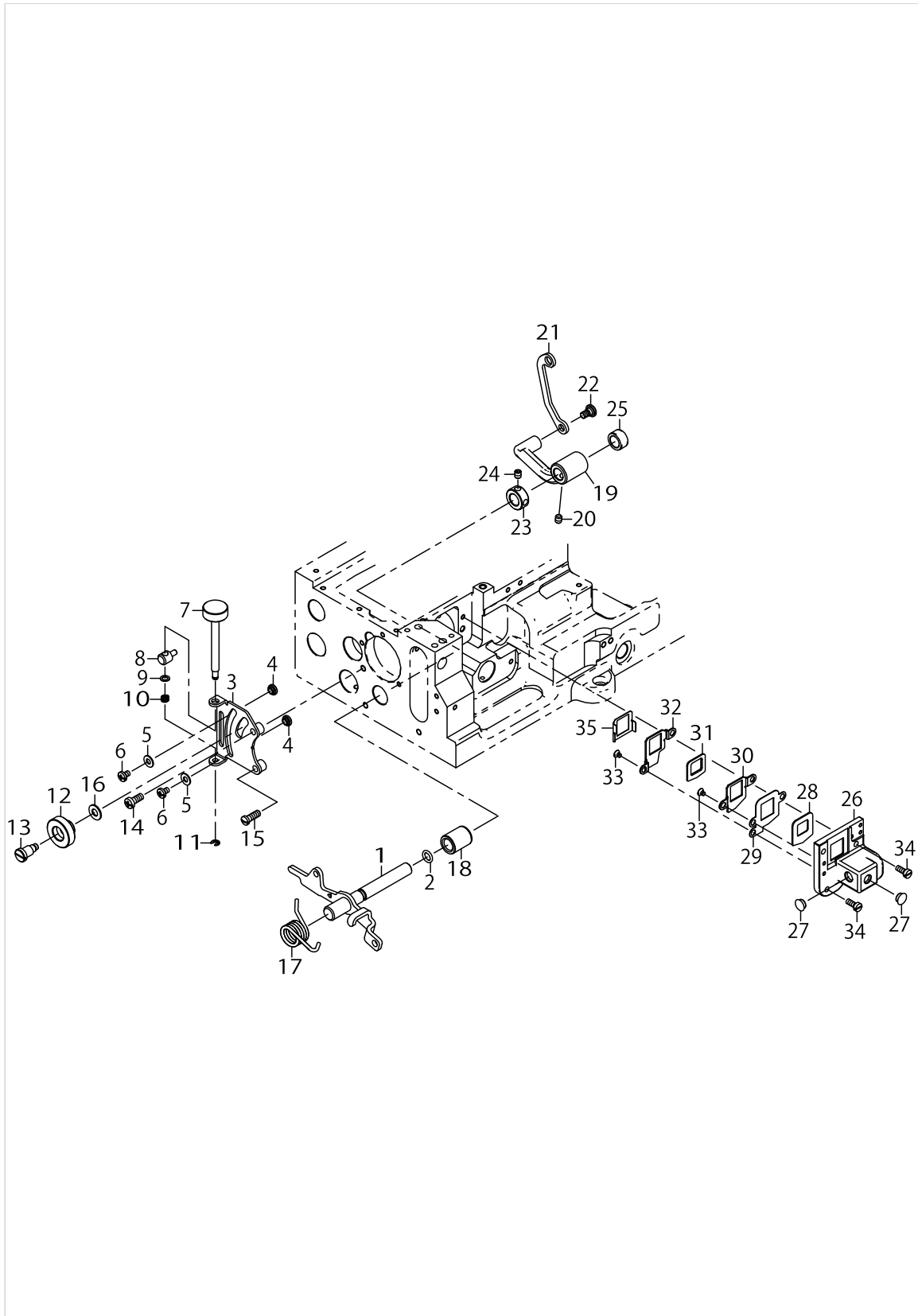
FEED DRIVE COMPONENTS (1)



FEED DRIVE COMPONENTS (1)

No.	Supply Code	Parts No.	Replacement	Parts name	Remarks	Choice	Step	Level	Cons	Qty	Rep. QTY
93		70001527		POSITIONING CAM VERTICAL						1	
94		70001507		FEED BAR GUIDE 1						1	
95		SM8050812TP		SCREW M5X8						1	
96		70001508		FEED BAR GUIDE 2						1	
97		WP0480856SP		WASHER 4.8X8.4X0.8						2	
98		SM6040800SP		SCREW						2	
99		SM8050412TP		SCREW M5 L=4						2	
100		70001532		FELT FOR FEED BAR GUIDE						1	
101		70001533		OIL PROTECTION SHEILD						1	

FEED DRIVE COMPONENTS (2)

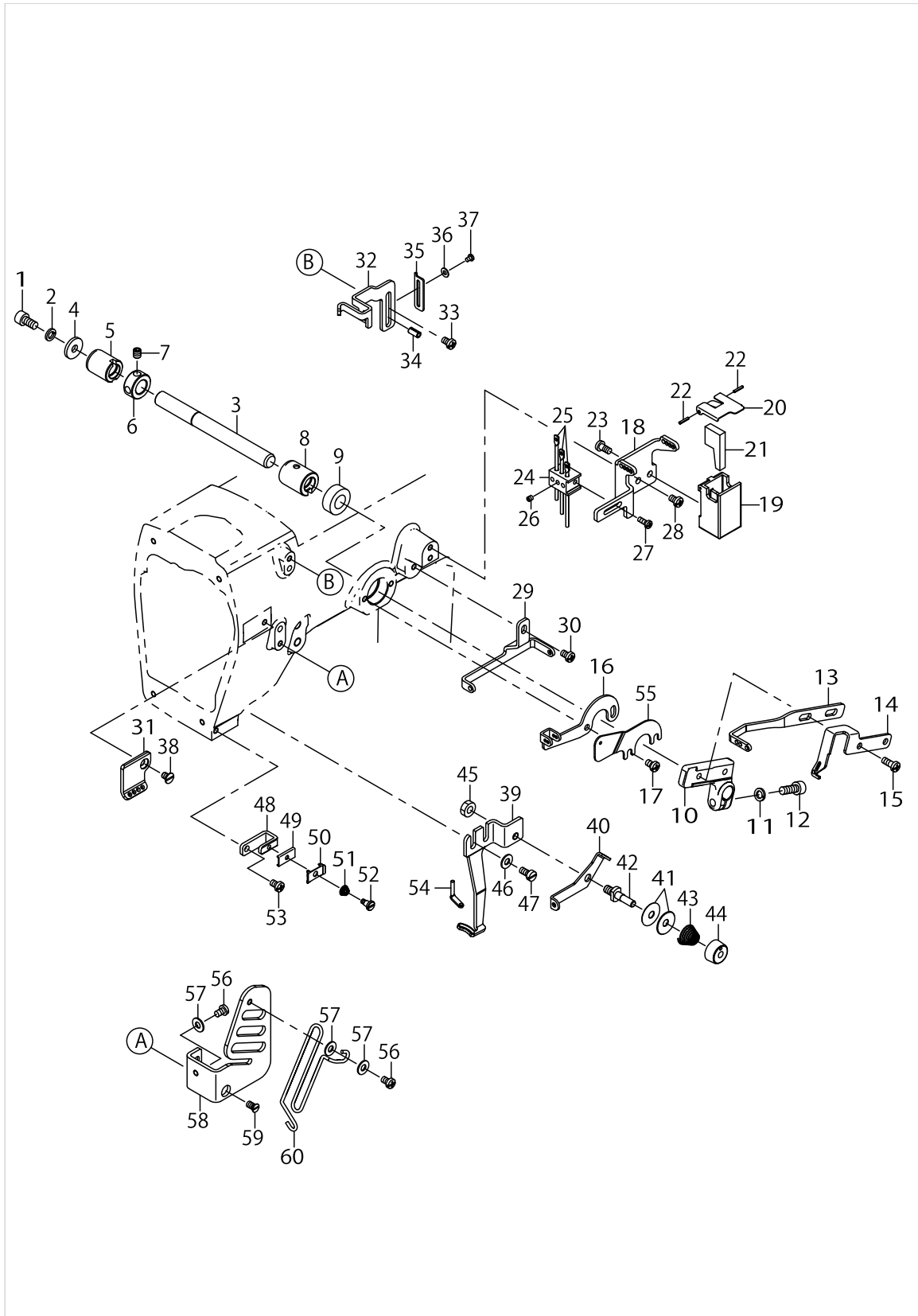


FEED DRIVE COMPONENTS (2)

No.	Supply Code	Parts No.	Replacement	Parts name	Remarks	Choice	Step	Level	Cons	Qty	Rep. QTY
1		40040206		DIFF FEED LEVER ASSY						1	
2		RO068190100		O-RING						1	
3		40039630		PLATE DIFF FEED LEVER						1	
4		13321203		STOPPER DIFF ADJ						2	
5		WP0450826SC		WASHER 4.5X10X0.8						2	
6		SM5040655SN		SCREW						2	
7		70001530		SCREW						1	
8		13217708		DIFFERENTIAL FEED BLOCK						1	
9		WP0460556SD		WASHER 4.6X7.5X0.5						1	
10		13123302		ADJUSTING SPRING						1	
11		RE0300000K0		E-RING 3						1	
12		13217500		DIFFERENTIAL FEED LOCK NUT						1	
13		13217401		DIFFERENTIAL FEED HINGE SCREW						1	
14		SM4051255SP		SCREW						1	
15		SM7051460TP		SCREW M5 L=14						1	
16		WP0621016SD		WASHER 6.2X13X1						1	
17		70001531		ADJUSTING LEVER SPRING						1	
18		13320304		BUSHING DIFF ADJ LEVER						1	
19		13320403		DIFF ADJ LEVER						1	
20		SM8050612TP		SCREW M5X6						1	
21		40018443		DIFF ADJ LINK						1	
22		31013808		HINGE SCREW						1	
23		CS1000881TP		THRUST COLLAR D=10 W=8						1	
24		SM8050612TP		SCREW M5X6						2	
25		13323209		BUSHING DIFF ADJ LEVER						1	
26		70001589		NEEDLE GUARD BASE						1	
27		TA0750404R0		PLUG D=7.5 L=3.5						2	
28		70001514		FEED BAR SEAL 1						1	
29		70001515		FEED BAR SEAL PLATE 1						1	
30		70001516		FEED BAR SEAL PLATE 2						1	
31		70001517		FEED BAR SEAL 2						1	
32		70001518		FEED BAR SEAL PLATE 3						1	
33		SM1030400SP		SCREW M3 L=4						3	
34		SM6041000SP		SCREW M4 L=10						3	
35	D	70003995		FEED_BAR_SEAL_PLATE_4						1	



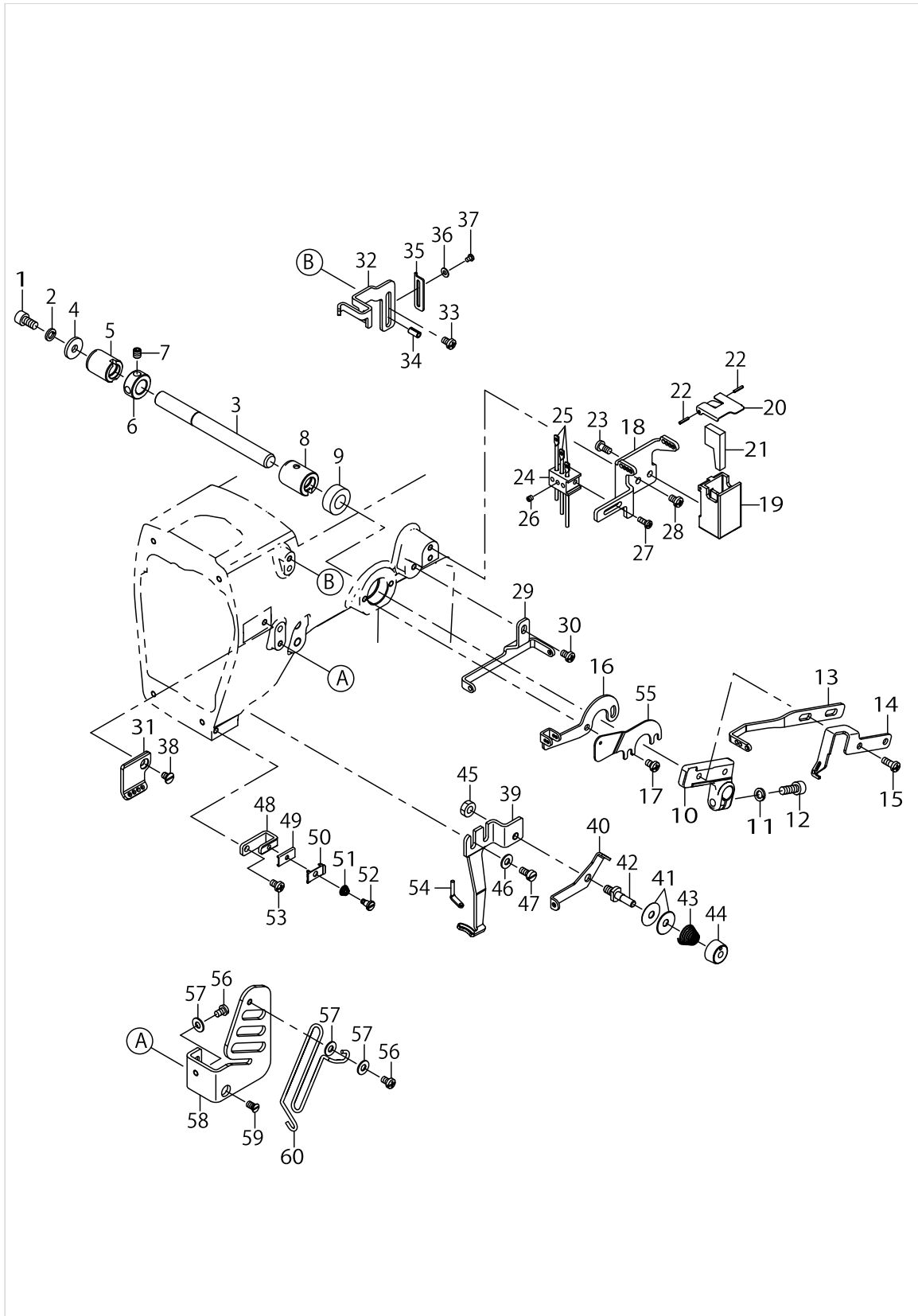
# THREAD TAKE-UP LEVER COMPONENTS



THREAD TAKE-UP LEVER COMPONENTS

No.	Supply Code	Parts No.	Replacement	Parts name	Remarks	Choice	Step	Level	Cons	Qty	Rep. QTY
1		SM6051002TP		SCREW M5X0.8 L=10						1	
2		WS0510002KP		SPRING WASHER 5.1X9.2X1.3						1	
3		70001537		SHAFT						1	
4		WP0522016SH		WASHER						1	
5		13324504		BUSHING REAR						1	
6		CS1000881TP		THRUST COLLAR D=10 W=8						1	
7		SM8050612TP		SCREW M5X6						2	
8		13324603		BUSHING FRONT						1	
9		23612609		FEED CHANGING SHAFT OIL SEAL						1	
10		13324702		HOLDER TAKE UP EYELET						1	
11		WS0510002KN		SPRING WASHER M5						1	
12		SM6051402TP		SCREW M5X0.8 L=14						1	
13		70001548		NDL THD TAKE UP						1	
14		13324900		UP LPR THREAD TAKE UP						1	
15		SM4041055SP		SCREW						2	
16		13325006		THREAD GUIDE						1	
17		SM4040655SP		SCREW M4 L=6						2	
18		70001540		THREAD TENSION GUIDE						1	
19		13348008		TANK						1	
20		70001546		SILICONE OIL TANK COVER						1	
21		B9214850000		HEAT REMOVING FELT						1	
22		PS0150082KH		SPRING PIN 1.5X8						2	
23		ST4040851SN		TAPPING SCREW M4X8						2	
24		13325204		HOLDER						1	
25	R	30391601	40074316	NEEDLE THREAD EYELET						3	1.00
26		SM8030312TP		SCREW M3 L=3						3	
27		SM4030855SN		SCREW M3 L=8.0						1	
28		SM4040655SP		SCREW M4 L=6						2	
29		70001541		THREAD GUIDE						1	
30		SM4040655SP		SCREW M4 L=6						1	
31		70001542		THREAD GUIDE						1	
32		70001543		NDL THD STRIKE OFF						1	
33		SM4040655SP		SCREW M4 L=6						1	
34		PS0400082KP		SPRING PIN TYPE W 4X8						1	
35		13326905		NDL THD STRIKE OFF R						1	
36		WP0280501SC		WASHER M2.6						1	
37		SM4850455SP		SCREW						1	
38		SM1040650TP		SCREW						1	
39		13326301		THREAD GUIDE UPPER LPR						1	
40		13326400		THREAD GUIDE						1	
41		22945802		THREAD TENSION DISK						2	
42		13326509		TENSION POST						1	
43		22945505		THREAD TENSION SPRING						1	
44		13326608		TENSION NUT						1	
45		NM6050001SC		NUT M5X0.8 TYPE1						1	
46		WP0450826SC		WASHER 4.5X10X0.8						2	

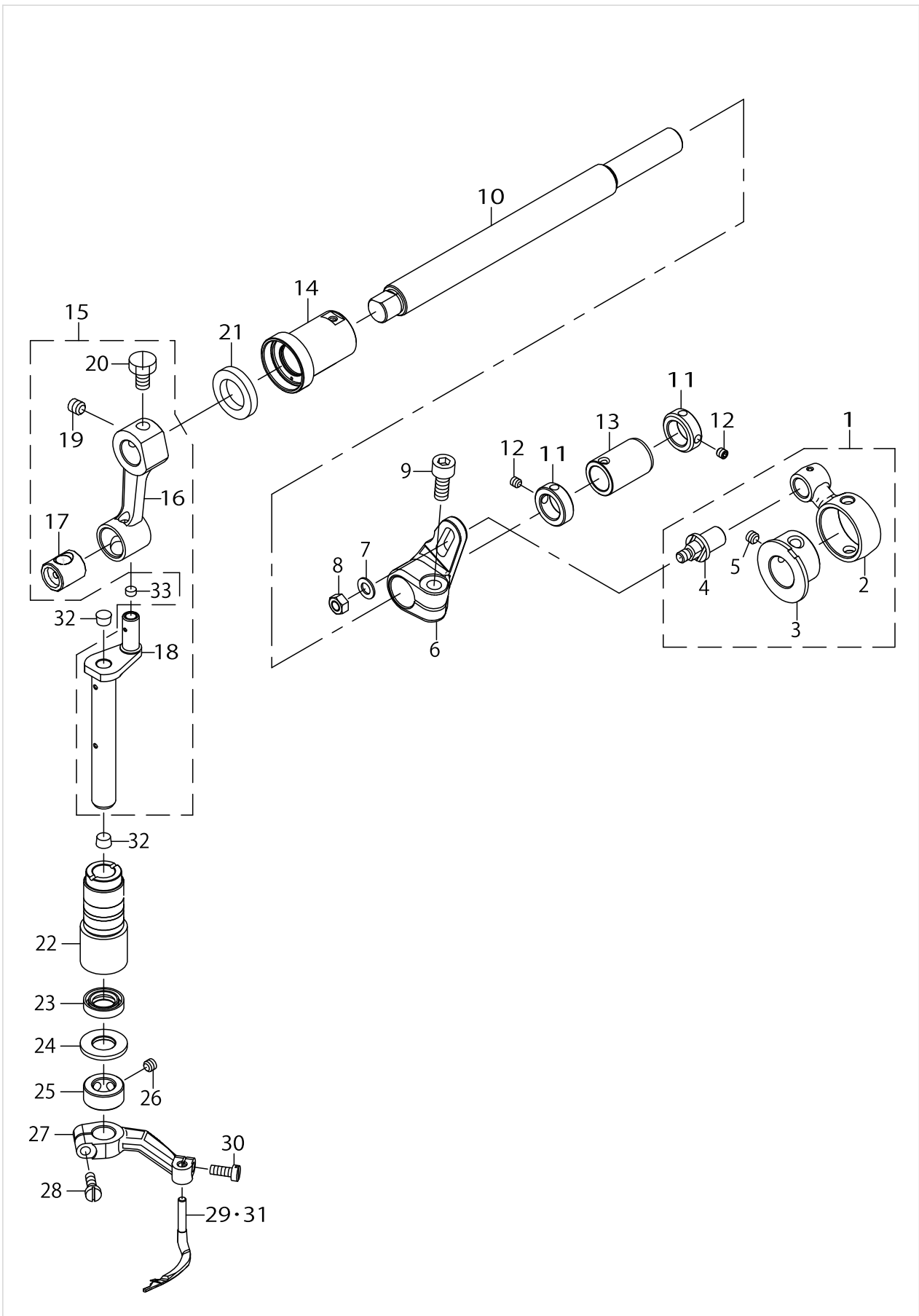
# THREAD TAKE-UP LEVER COMPONENTS



THREAD TAKE-UP LEVER COMPONENTS

No.	Supply Code	Parts No.	Replacement	Parts name	Remarks	Choice	Step	Level	Cons	Qty	Rep. QTY
47		SM6040800SP		SCREW						2	
48		13325808		NIPPER PLATE SUPPORT						1	
49		13325907		NIPPER PLATE						1	
50		13326004		NIPPER GUIDE PLATE						1	
51		13326103		SPRING						1	
52		13326202		SHOULDER SCREW						1	
53		SM4040655SP		SCREW M4 L=6						1	
54		13326707		THREAD GUIDE						1	
55		40085995		FINGER GUARD						1	
56		SM4040655SP		SCREW M4 L=6						2	
57		WP0450801SC		WASHER 4.5X10X0.8						3	
58		70001544		TAKE UP COVER						1	
59		SM1040750TP		SCREW M4 L=7						1	
60		70001545		FINGER GUARD						1	

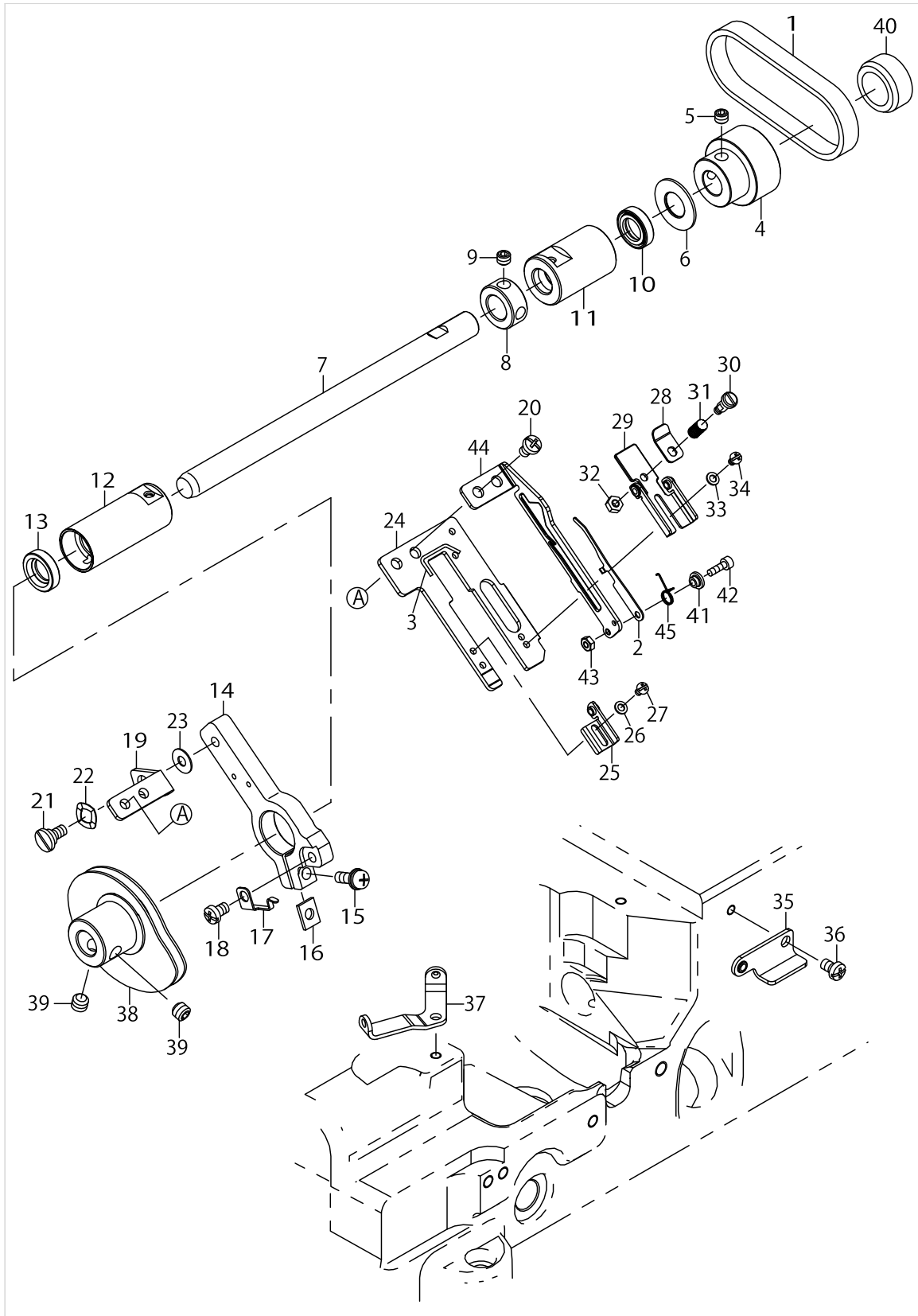
SPREADER COMPONENTS



SPREADER COMPONENTS

No.	Supply Code	Parts No.	Replacement	Parts name	Remarks	Choice	Step	Level	Cons	Qty	Rep. QTY
1		40078318		ASSY_UPPPER_LPR_MECH						1	
2		40078319		CONNROD_FOR_UPPER_LPR				*		1	
3		13328000		UPPER LOOPER ECCENTRIC				*		1	
4		13328208		STUD				*		1	
5		SM8050412TP		SCREW M5 L=4				*		2	
6		70001555		DRIVING_ARM						1	
7		WP0550800SP		WASHER 5.5X10X0.8						1	
8		NM6050001SC		NUT M5X0.8 TYPE1						1	
9		SM6061402TP		SCREW M6 L=14						1	
10		70001561		UPPER_LOOPER_SHAFT_DRY						1	
11		13399209		COLLAR						2	
12		SM8040412TP		SET SCREW M4 L=4						4	
13		13329008		BUSHING REAR						1	
14		70001562		BUSHING_FRONT_DRY						1	
15		40078311		ASSY_UPPER_LPR_MECH_2						1	
16		40078312		CRANK_ROD				*		1	
17		40078313		UPPER_LOOPER_ROCKER				*		1	
18		40078314		U.L_SHAFT_VERTICAL				*		1	
19		SM8060612TP		SCREW M6 L=6				*		1	
20		SM9061050TP		SCREW M6 L=10				*		1	
21		40004606		OIL SEAL						1	
22		13329206		BUSHING VERTICAL						1	
23		13338900		OIL SEAL						1	
24		WP1022016SH		WASHER						1	
25		CS1000881TP		THRUST COLLAR						1	
26		SM8050412TP		SCREW M5 L=4						2	
27		13328802		UPPER LOOPER HOLDER						1	
28		SM6041200SP		SCREW M4 L=12						1	
29	R	70001556	70004223	UPPER_LOOPER	EXCEPT T- YPE TURKEY					1	1.00
30		SM6041000SP		SCREW M4 L=10						1	
31	R	70001563	70004224	UPPER_LOOPER	TYPE TURKEY					1	1.00
32		TA0600401R0		PLUG						2	
33		40078293		PLUG						1	

# LOWER THREAD CAM COMPONENTS

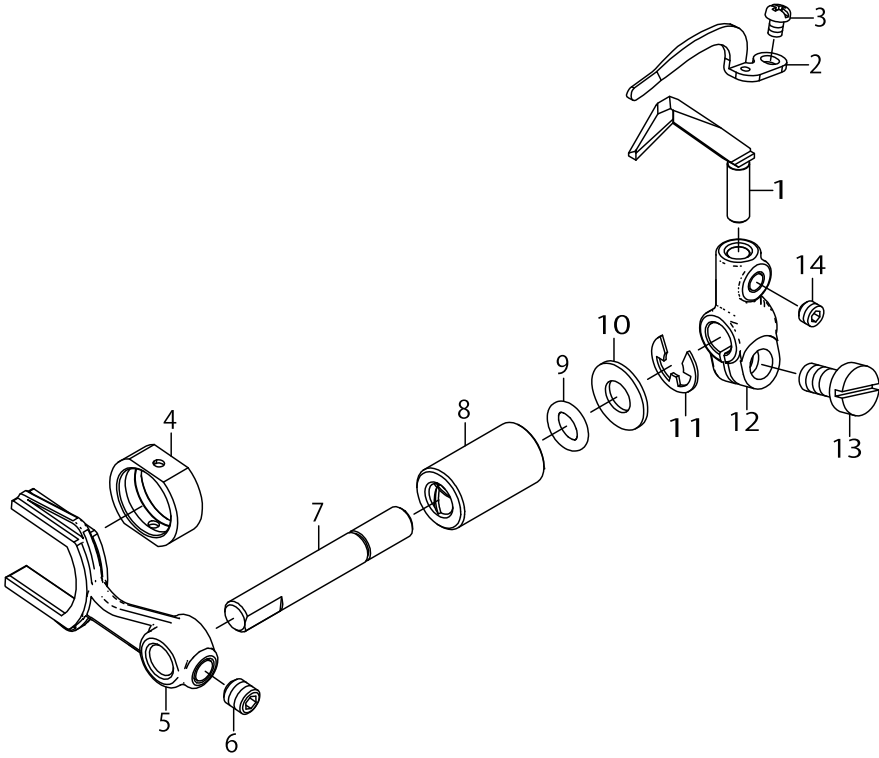


LOWER THREAD CAM COMPONENTS

No.	Supply Code	Parts No.	Replacement	Parts name	Remarks	Choice	Step	Level	Cons	Qty	Rep. QTY
1		70001987		BELT_TAKE_UP						1	
2		70001582		THREAD GUIDE PLATE						1	
3		40087068		CAM THREAD CATCH						1	
4		70001580		SPROCKET TAKE UP						1	
5		SM8050612TP		SCREW M5X6						2	
6		70001581		WASHER						1	
7		70001572		SHAFT TAKE UP						1	
8		CS1000881TP		THRUST COLLAR D=10 W=8						1	
9		SM8050612TP		SCREW M5X6						2	
10		40023441		OIL SEAL						1	
11		70001573		BUSHING A TAKE UP						1	
12		40023481		BUSHING B TAKE UP						1	
13		40023441		OIL SEAL						1	
14		13332309		BASE TAKEUP PLATE						1	
15		SL4041281SC		SCREW M4 L=12						1	
16		13333208		WASHER						1	
17		13332903		SPRING						1	
18		SM4040655SP		SCREW M4 L=6						1	
19		13332804		BRACKET						1	
20		SM4040655SP		SCREW M4 L=6						2	
21		SD0640246SP		SHOULDER SCREW D=6.35 H=2.4						1	
22		WZ0641510KP		WAVED WASHER 6.4X11X0.3						1	
23		WP0410516SD		PLAIN WASHER						1	
24		70001579		TAKE UP PLATE						1	
25		40100791		EYELET A ASSY						1	
26		WP0280500SC		WASHER						1	
27		SM4850455SP		SCREW						1	
28		13333307		LPR THD DISC UPPER						1	
29		40100793		LPR THD GUIDE BASE ASSY						1	
30		13333505		TENSION POST						1	
31		13333604		LOOPERCAMSPRING						1	
32		NM6030001SC		NUT M3X0.5 TYPE1						1	
33		WP0280500SC		WASHER						1	
34		SM4850455SP		SCREW						1	
35		70001575		EYELET C ASSY						1	
36		SM4040655SP		SCREW M4 L=6						1	
37		13333703		EYELET D						1	
38		40019335		ASSY TAKE UP						1	
39		SM8060552TP		SCREW M6 L=5						2	
40		TA2101002R0		RUBBER PLUG						1	
41		70001584		SPRING COLLAR						1	
42		SM6850802TN		SCREW M2.5 L=8						1	
43		NM6850001SC		NUT M2.5X0.45 TYPE1						1	
44		70001585		THREAD GUIDE						1	
45		70001583		THREAD GUIDE PLATE SPRING						1	



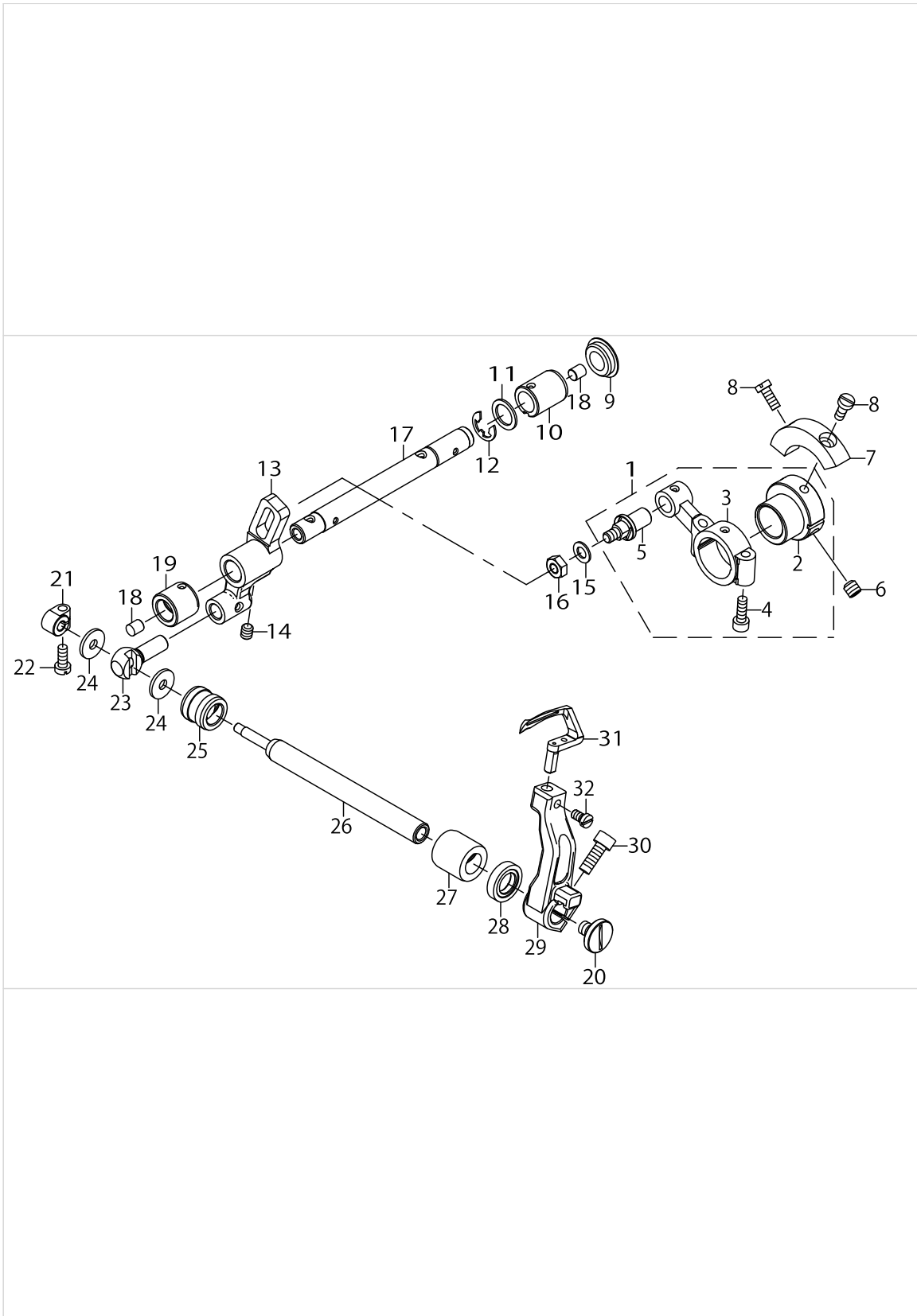
NEEDLE GUARD COMPONENTS



NEEDLE GUARD COMPONENTS

No.	Supply Code	Parts No.	Replacement	Parts name	Remarks	Choice	Step	Level	Cons	Qty	Rep. QTY
1		40052924		REARNEEDLE GUARD						1	
2		13334701		FRONT NDL GUARD						1	
3		SM4850455SP		SCREW						1	
4		70001592		NEEDLE GUARD BLOCK						1	
5		70001587		FORKNEEDLE GUARD						1	
6		SM8050612TP		SCREW M5X6						1	
7		70001590		NEEDLE GUARD SHAFT						1	
8		70001591		BUSHING NEEDLE GUARD						1	
9		RO055200100		O-RING						1	
10		WP0621016SD		WASHER 6.2X13X1						1	
11		RE0500000K0		E-RING						1	
12		70001588		REAR NEEDLE GUARD HOLDER						1	
13		SM6051000SP		SCREW						1	
14		SM8040312TP		SCREW M4 L=3						1	

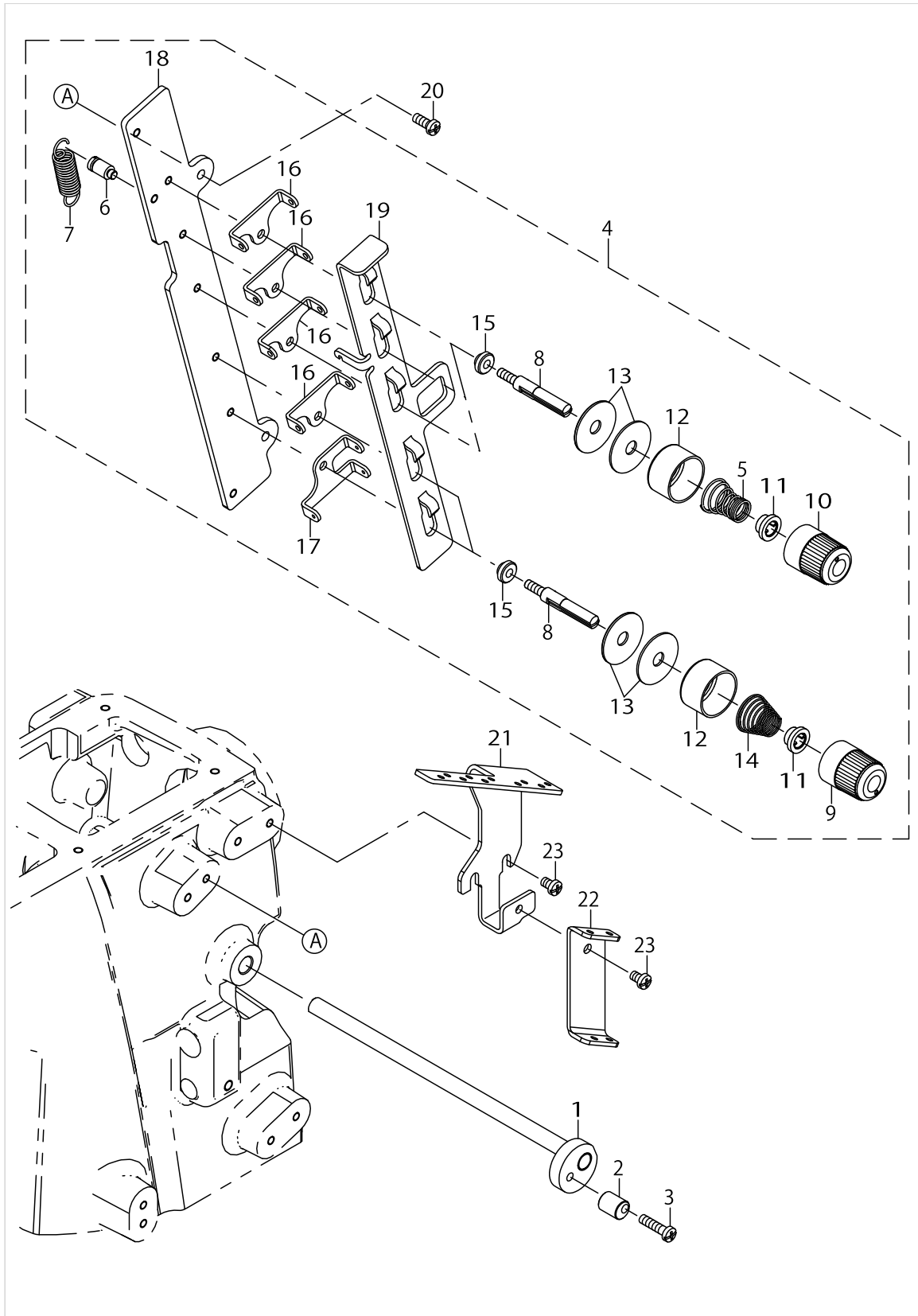
# LOOPER COMPONENTS



LOOPER COMPONENTS

No.	Supply Code	Parts No.	Replacement	Parts name	Remarks	Choice	Step	Level	Cons	Qty	Rep. QTY
1		13337357		ECC LOOPER AVOID ASSY						1	
2	R	13337308	13337357	ECC LOOPER AVOID				*		1	1.00
3	R	13337407	13337357	LOOPER ROD AVOID				*		1	1.00
4		SM6041202TP		SCREW M4X0.7 L=12				*		2	
5		13337506		PIN LOOPER AVOID				*		1	
6		SM8060612TP		SCREW M6 L=6						2	
7		13338801		BALANCE WEIGHT LP						1	
8		SM6041000SP		SCREW M4 L=10						2	
9		TA1600406R0		PRUG						1	
10		70001601		BUSHING LPR RIGHT						1	
11		WP1021026SH		WASHER						1	
12		RE0700000K0		E-RING 7						1	
13		13337605		CRANK LOOPER AVOID						1	
14		SM8050612TP		SCREW M5X6						1	
15		WP0550800SP		WASHER 5.5X10X0.8						1	
16		NM6050001SC		NUT M5X0.8 TYPE1						1	
17		13338504		LOOPER SHAFT AVOID						1	
18		TA0500601M0		PLUG D=5X5.4 L=6						2	
19		70001602		BUSHING LPR LEFT						1	
20		40052522		SCREW						1	
21		13337704		COLLAR LOOPER AVOID						1	
22		SM6041000SP		SCREW M4 L=10						1	
23		13337803		LOOPER AVOID PIN						1	
24		WP0461516SH		WASHER						2	
25		70001603		BUSHING LPR SHAFT REAR						1	
26		40050448		LOOPER SHAFT						1	
27		70001604		BUSHING LPR SHAFT FRONT						1	
28		13338900		OIL SEAL						1	
29		40050449		LOOPER HOLDER						1	
30		SM6051402TP		SCREW M5X0.8 L=14						1	
31		13337902		LOOPER						1	
32		SM6040750TP		SCREW M4 L=7						1	

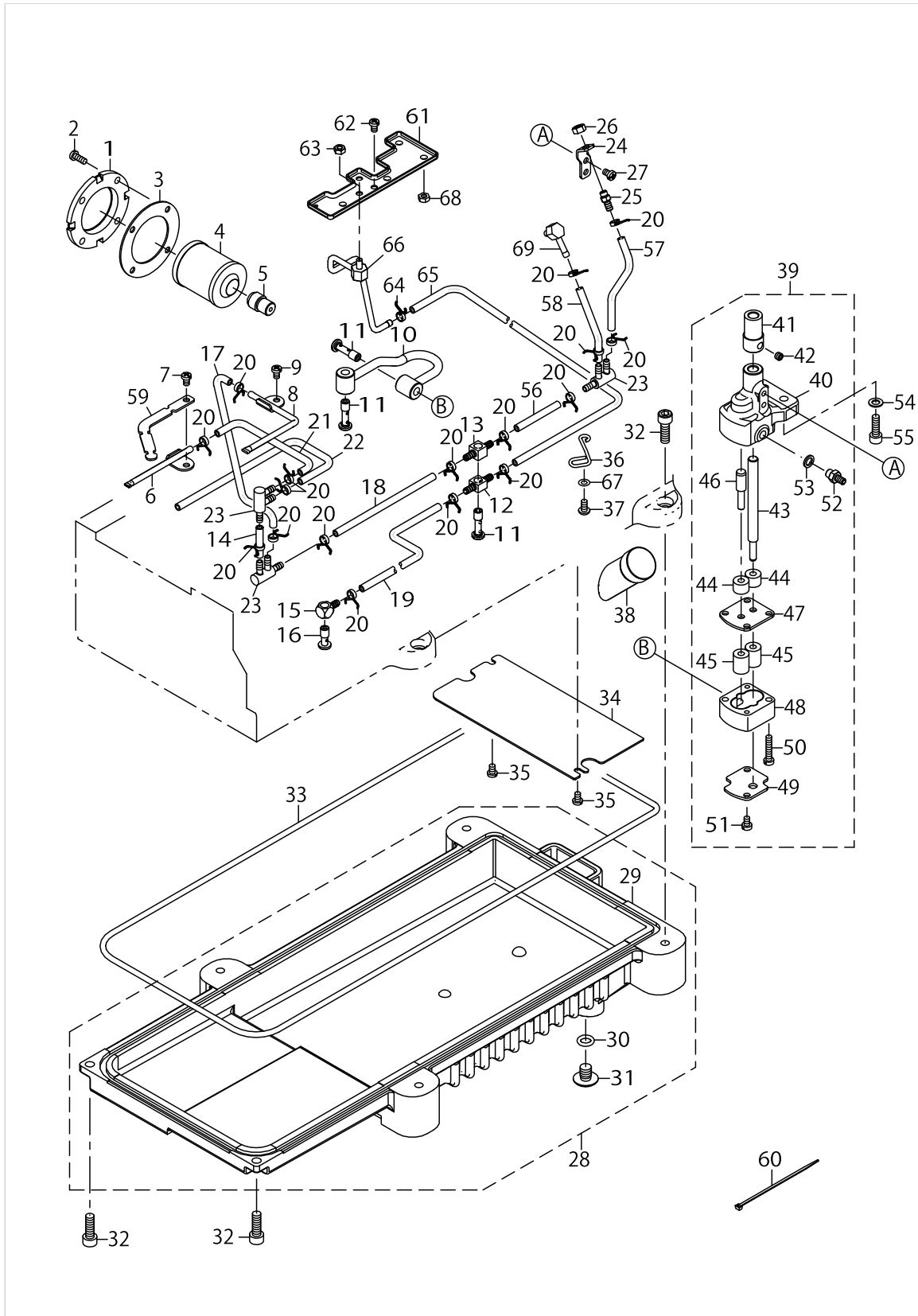
# THREAD TENSION COMPONENTS



THREAD TENSION COMPONENTS

No.	Supply Code	Parts No.	Replacement	Parts name	Remarks	Choice	Step	Level	Cons	Qty	Rep. QTY
1		70001610		ASSY PULL OFF LEVER						1	
2		40065785		TENS RELEASE ADJ ECC						1	
3		SM4041655SP		SCREW M4 L=16						1	
4		70001612		THREAD TENSION ASSY						1	
5		13140504		TENSION SPRING				*		3	
6		13340302		SHOULDER SCREW				*		1	
7	D	26019000		THREAD TENSION SPRING				*		1	
8		70001620		TENSION POST				*		5	
9		40042363		KNOB				*		2	
10		40042364		KNOB GREEN				*		3	
11		40042365		SPRING BUSHING				*		5	
12		40042366		THREAD TENSION DISK PRESSER				*		5	
13		40101602		THREAD TENSION DISC				*		10	
14		40102003		SPRING				*		2	
15		70001617		SPACER				*		5	
16		70001615		TENSION DISC EYELET A				*		4	
17		70001616		TENSION DISC EYELET B				*		1	
18		70001613		TENSION POST SUPPORT				*		1	
19		70001614		TENSION DISC SEPARATOR				*		1	
20		SM4041055SP		SCREW						2	
21		13340005		THREAD GUIDE PLATE						1	
22		13340104		THREAD GUIDE						1	
23		SM4040655SP		SCREW M4 L=6						3	

LUBRICATION COMPONENTS

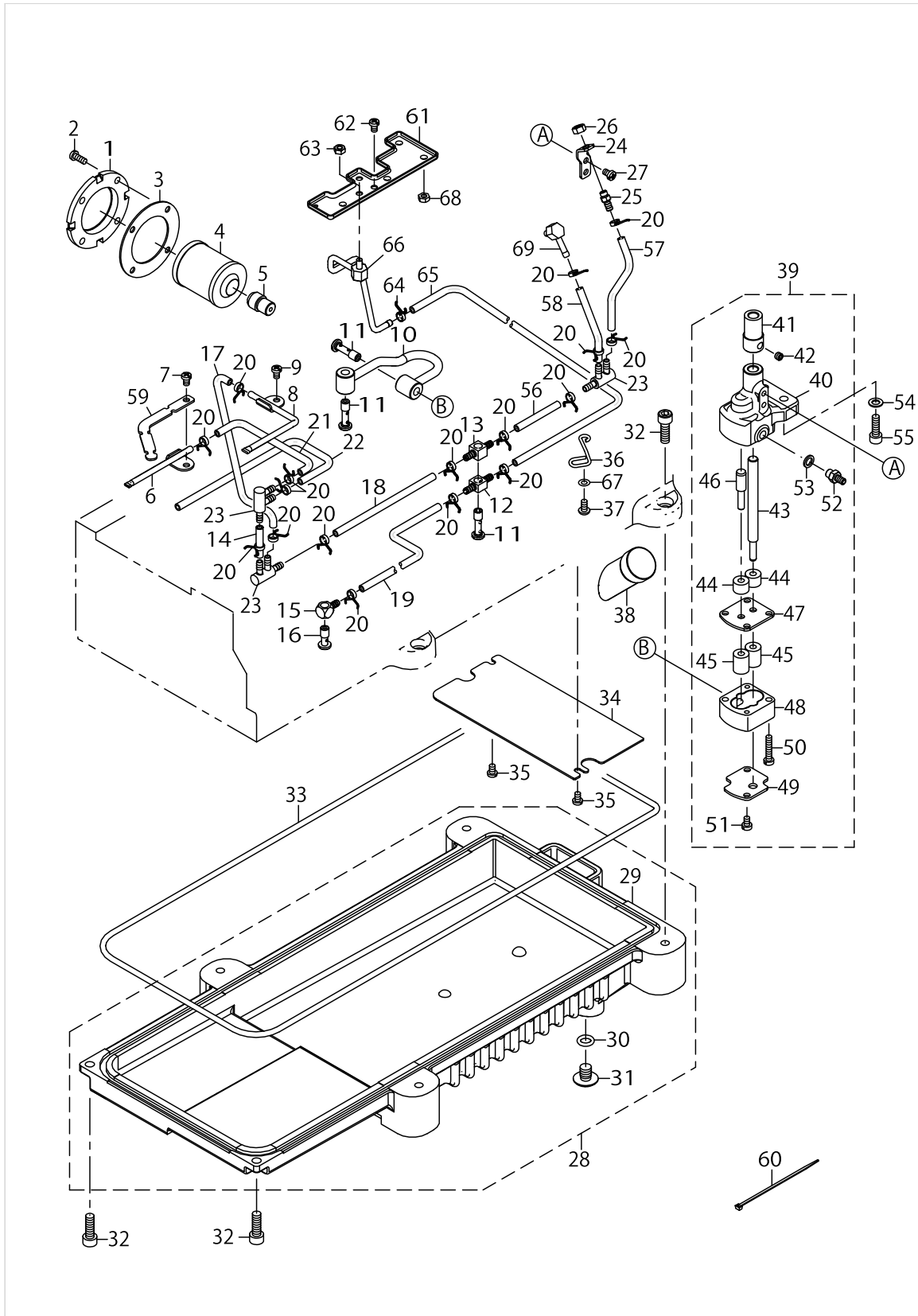


LUBRICATION COMPONENTS

No.	Supply Code	Parts No.	Replacement	Parts name	Remarks	Choice	Step	Level	Cons	Qty	Rep. QTY
1		13345202		FILTER_COVER						1	
2		SM4041055SP		SCREW						4	
3		13344809		GASKET O						1	
4		13142500		CARTRIDGE FILTER						1	
5		13343801		FITTING FILTER						1	
6		13346556		ASSY_OIL_SUPPLY						1	
7		SM4040655SP		SCREW M4 L=6						1	
8		13345855		OIL SUPPLY ASSY						1	
9		SM4040655SP		SCREW M4 L=6						1	
10		70001634		ASSY_OIL_PIPE						1	
11		SQ2060442SD		CONNECTING SCREW						3	
12		SQ0000454MZ		CONNECTING SCREW						1	
13		SQ0000453MZ		CONNECTING SCREW						1	
14		BP30000010R		VINYL PIPE						.04	
15		SQ0000452MZ		CONNECTING SCREW						1	
16		SQ2060441SD		CONNECTING SCREW						1	
17		BP30000010R		VINYL PIPE						.12	
18		BP30000010R		VINYL PIPE						.12	
19		BP30000010R		VINYL PIPE						.19	
20		23629306		PIPE STOPPER A						17	
21		BP30000010R		VINYL PIPE						.1	
22		BP30000010R		VINYL PIPE						.2	
23		23629504		DISTRIBUTOR						3	
24		13346705		CONNECTING_SCR_BRACKET						1	
25		SQ2050452MZ		CONNECTING SCREW						1	
26		NM6050001SC		NUT M5X0.8 TYPE1						1	
27		SM4040655SP		SCREW M4 L=6						2	
28		40024405		ASSY_OIL_PAN						1	
29		13345509		OIL PAN				*		1	
30		13170105		RUBBER RING				*		1	
31	R	13171004	SM0081001SD	DRAIN SCREW				*		1	1.00
32		SM6061802TP		SCREW M6 L=18						6	
33		13345608		O RING						1	
34		13345905		COVER PLATE						1	
35		SM4040655SP		SCREW M4 L=6						2	
36		70001636		OIL_TUBE HOLDER						1	
37		SM4040855SP		SCREW						1	
38		13346101		OIL SIGHT GAUGE						1	
39		13345459		ASSY_PUMP_2-STAGE						1	
40	R	13343108	13345459	OIL PUMP HOUSING		A	MF-7700	*		1	1.00
40	R	13343108	13426051	OIL PUMP HOUSING		B	MF-7800	*		1	1.00
41		13343009		WORM WHEEL				*		1	
42		SM8050412TP		SCREW M5 L=4				*		2	
43	R	13345400	13345459	OIL PUMP SHAFT LARGE				*		1	1.00
44		13228309		OIL PUMP PINION				*		2	
45		13228200		OIL PUMP PINION				*		2	



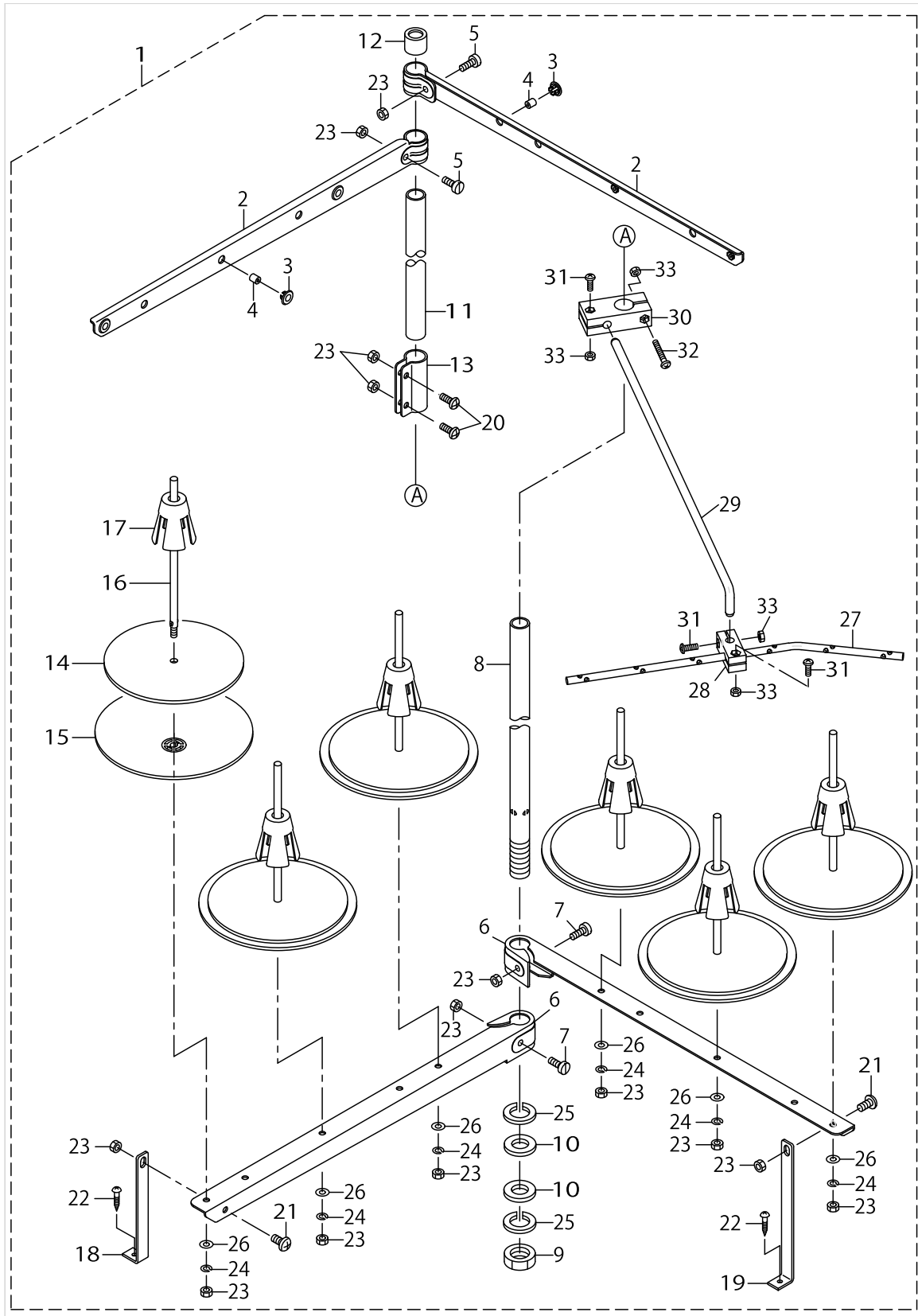
LUBRICATION COMPONENTS



LUBRICATION COMPONENTS

No.	Supply Code	Parts No.	Replacement	Parts name	Remarks	Choice	Step	Level	Cons	Qty	Rep. QTY
46		13227905		GEAR PUMP SHAFT				*		1	
47	R	13343405	13345459	OIL PUMP SPACER		A	MF-7700	*		1	1.00
47	R	13343405	13426051	OIL PUMP SPACER		B	MF-7800	*		1	1.00
48	R	13343207	13345459	OIL PUMP CASING		A	MF-7700	*		1	1.00
48	R	13343207	13426051	OIL PUMP CASING		B	MF-7800	*		1	1.00
49	R	13343306	13345459	OIL PUMP COVER		A	MF-7700	*		1	1.00
49	R	13343306	13426051	OIL PUMP COVER		B	MF-7800	*		1	1.00
50		SM6042000SP		SCREW				*		2	
51		SM6040600SP		SCREW M4 L=6				*		2	
52		SQ2060451MZ		CONNECTINGSCREW				*		1	
53		40004749		GASCKET				*		1	
54		WP0550800SP		WASHER 5.5X10X0.8						2	
55		SM6051602TP		SCREW M5X0.8 L=16						2	
56		BP30000010R		VINYL PIPE						.05	
57		BP30000010R		VINYL PIPE						.14	
58		BP30000010R		VINYL PIPE						.1	
59		70001639		PIPE HOLDER						1	
60		EA9500B0100		CABLE BAND						5	
61		70001631		OIL_SAUCER						1	
62		SM4040655SP		SCREW M4 L=6						2	
63		NM6040000SN		NUT M4						1	
64		23629306		PIPE STOPPER A						1	
65		BP30000010R		VINYL PIPE						.5	
66		13345053		ASSY_OIL_SUPPLY_FOR_TOP						1	
67		WP0450801SC		WASHER 4.5X10X0.8						1	
68		NM6040000SN		NUT M4						1	
69		70001975		ASSY_OIL_SUPPLY						1	

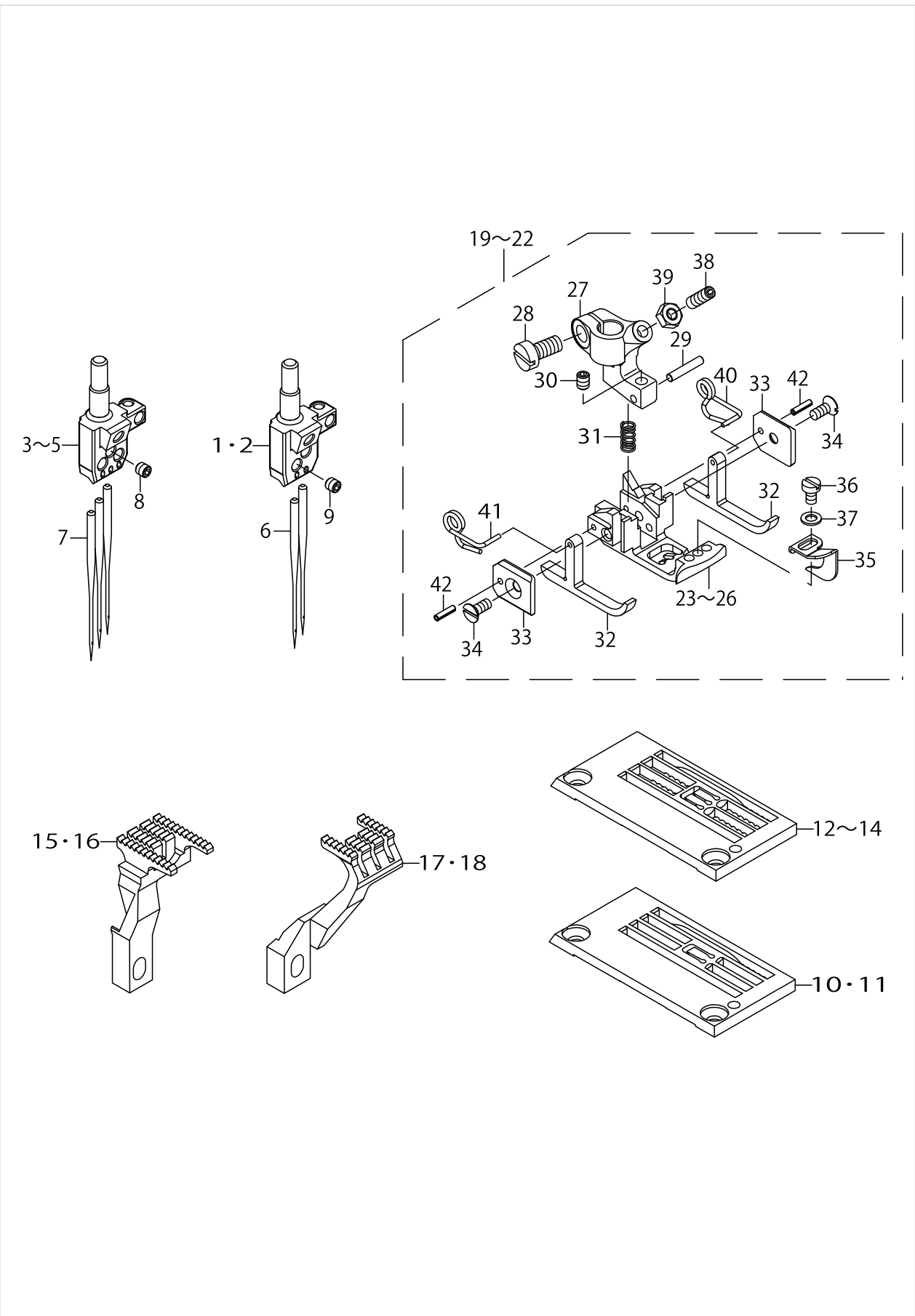
# THREAD STAND COMPONENTS



THREAD STAND COMPONENTS

No.	Supply Code	Parts No.	Replacement	Parts name	Remarks	Choice	Step	Level	Cons	Qty	Rep. QTY
1	R	40106592	40106586	THREAD STAND ASM.						1	1.00
2		40106575		SPOOL REST LONG ARM UPPER				*		2	
3		40085795		THREAD GUIDE BUSHING				*		6	
4		40085794		THREAD GUIDE				*		6	
5	R	40096327	SM4053001SE	SPOOL REST ARM UPPER SCREW				*		2	1.00
6		40106574		SPOOL REST LONG ARM LOWER				*		2	
7		40096326		SPOOL REST ARM LOWER SCREW				*		2	
8		40085784		SPOOL REST ROD LOWER				*		1	
9		40096325		SPOOL REST ROD NUT				*		1	
10		40085796		SPOOL REST ROD RUBBER CUSHION				*		2	
11		40085785		SPOOL REST ROD UPPER				*		1	
12		40085793		SPOOL REST ROD RUBBER CAP				*		1	
13		40085792		SPOOL REST ROD JOINT				*		1	
14		40085789		SPOOL REST CUSHION				*		6	
15		40085788		SPOOL REST				*		6	
16		40085790		SPOOL PIN				*		6	
17		40085791		SPOOL RETAINER				*		6	
18		40106577		SPOOL REST ARM LOWER A				*		1	
19		40106578		SPOOL REST ARM LOWER B				*		1	
20		SM4051405SE		SCREW M5 L=14				*		2	
21		SM4051001SE		SCREW M5 L=10				*		2	
22		SK3412001SE		WOOD SCREW D=4.1 L=20				*		2	
23		NM6050001SE		NUT M5X0.8 TYPE1				*		14	
24		WP0531001SC		WASHER M5				*		6	
25		WP1612616SE		WASHER 16X30X2.6				*		2	
26		WS0510002KN		SPRING WASHER M5				*		6	
27		40106583		THREAD GUIDE 6				*		1	
28		40106580		THREAD GUIDE UNDER BASE				*		1	
29		40106576		THREAD GUIDE ARM				*		1	
30		40106579		THREAD GUIDE ARM BASE				*		1	
31		SM4041201SC		SCREW M4X0.7 L=12				*		3	
32		SM4042501SC		SCREW M4X0.7 L=25				*		1	
33	R	NM6040002SC	NM6040002SE	NUT M4X0.7 TYPE2				*		4	1.00

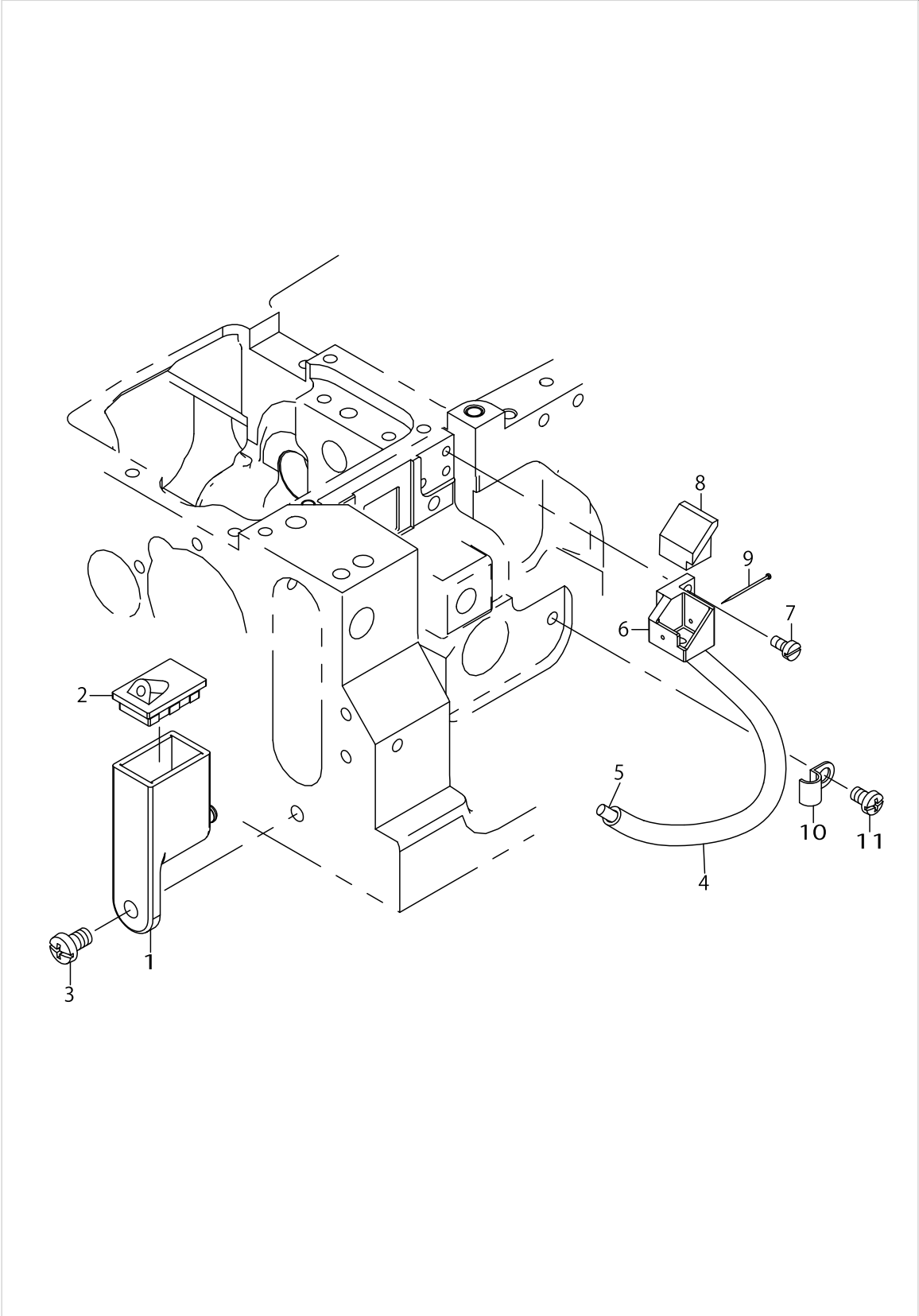
GAUGE PARTS COMPONENTS



GAUGE PARTS COMPONENTS

No.	Supply Code	Parts No.	Replacement	Parts name	Remarks	Choice	Step	Level	Cons	Qty	Rep. QTY
1		13350004		NEEDLE HEAD 32	FOR B32					1	
2		13350103		NEEDLE HEAD 40	FOR B40					1	
3		13350202		NEEDLE HEAD 48	FOR B48					1	
4		13350301		NEEDLE HEAD 56	FOR B56					1	
5		13350400		NEEDLE HEAD 64	FOR B64					1	
6		MUY128S1000		NEEDLE UYX128GAS (S BALL POINT) #10S	FOR B32,B40					2	
7		MUY128S1000		NEEDLE UYX128GAS (S BALL POINT) #10S	FOR B48,B56,B64					3	
8		SM8030312TP		SCREW M3 L=3	FOR B32,B40					4	
9		SM8030312TP		SCREW M3 L=3	FOR B48,B56,B64					3	
10		40058587		THROAT PLATE	FOR B32					1	
11		40058706		THROAT PLATE	FOR B40					1	
12		40040514		THROAT PLATE	FOR B48					1	
13		40058033		THROAT PLATE	FOR B56					1	
14		40040513		THROAT PLATE	FOR B64					1	
15		13354204		MAIN FEED DOG	FOR B32,B40,B48					1	
16		13353701		MAIN FEED DOG	FOR B56,B64					1	
17		13358304		DIFF FEED DOG	FOR B32,B40,B48					1	
18		13357603		DIFF FEED DOG	FOR B56,B64					1	
19		40090133		PRESSERFOOTASSY	FOR B32					1	
20		40090196		PRESSERFOOTASSY	FOR B40					1	
21		40090197		PRESSERFOOTASSY	FOR B48					1	
22		40082974		PRESSERFOOTASSY	FOR B56,B64					1	
23		40090130		PRESSER FOOT BOTTOM	FOR B32			*		1	
24		40090131		PRESSER FOOT BOTTOM	FOR B40			*		1	
25		40090132		PRESSER FOOT BOTTOM	FOR B48			*		1	
26	R	40082975	40082974	PRESSER FOOT BOTTOM	FOR B56,B64			*		1	1.00
27		40070224		PRESSER FOOT HINGE				*		1	
28		SM6040800SP		SCREW				*		1	
29		13375209		PIVOT PIN				*		1	
30		SM8030412TP		SCREW				*		1	
31		13377106		SPRING				*		1	
32		40070226		P_F_YIELDING SECTION				*		2	
33		40070227		GUIDE PLATE				*		2	
34		SM1850600SP		SCREW				*		2	
35		40070231		PRESSER FOOT GUIDE				*		1	
36		SM6850400SP		SCREW M2.5 L=4				*		1	
37		WP0280500SC		WASHER				*		1	
38		SM8031002TP		SCREW				*		1	
39		NM6030001SD		NUT M3X0.5 TYPE1				*		1	
40		40070230		SPRING R				*		1	
41		40070229		SPRING L				*		1	
42		PS0150065KP		SPRING PIN 1.5X6				*		2	

NEEDLE COOLING COMPONENTS

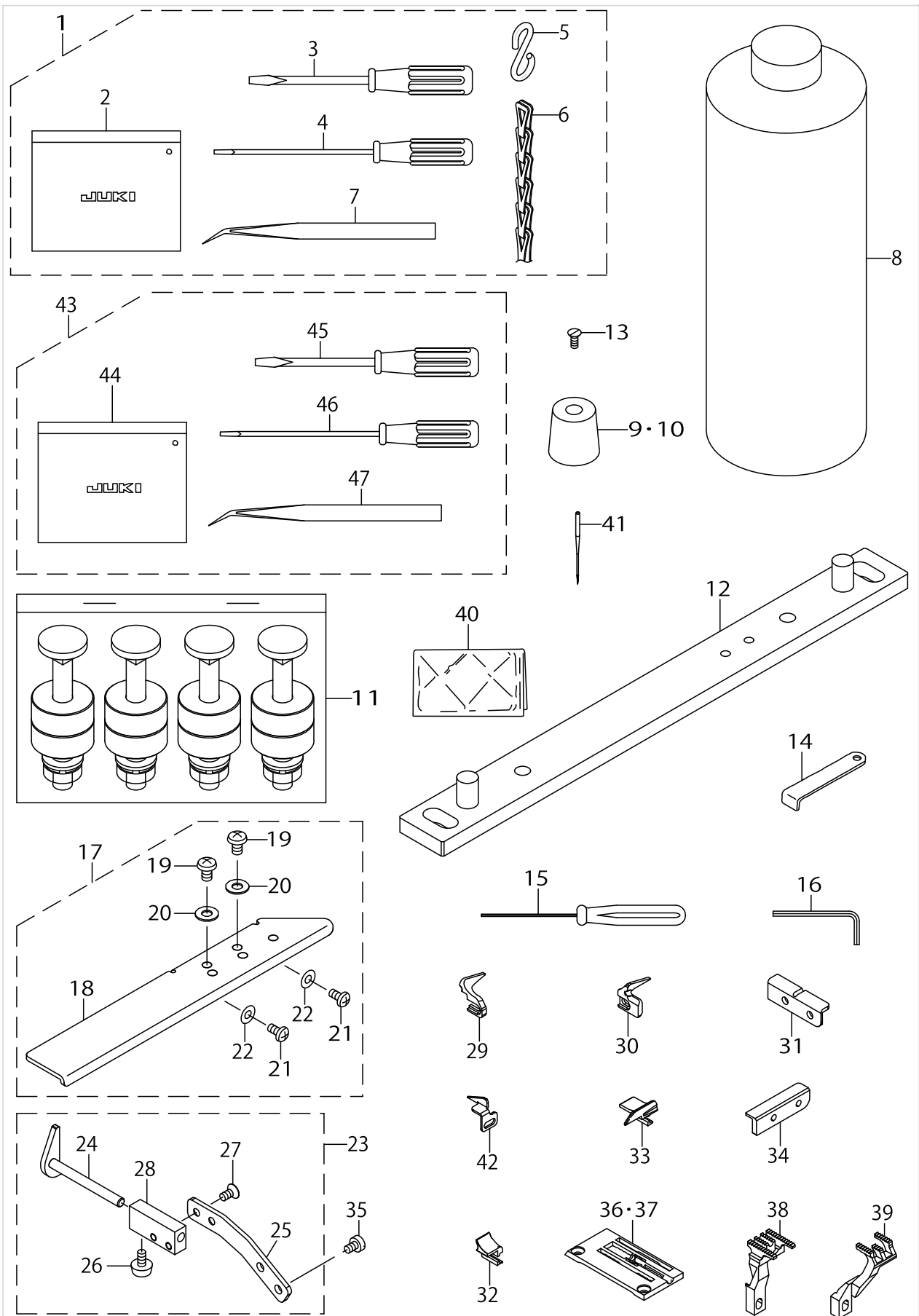


## NEEDLE COOLING COMPONENTS

No.	Supply Code	Parts No.	Replacement	Parts name	Remarks	Choice	Step	Level	Cons	Qty	Rep. QTY
1		40056919		SILICONE OIL TANK						1	
2		13429105		SILICONE OIL TANK CAP						1	
3		SM4050855SP		SCREW						1	
4		BT0600402EA		URETHANE TUBE C-LEAR BLUE 6X4						.15	
5		CQ303000000		COTTON OIL WICK D=3						.3	
6		70001644		SILICONE OIL CUP						1	
7		SM6030600SP		SCREW M3X0.5 L=6						2	
8		13348305		FELT						1	
9		11856101		NEEDLE COOLER PIN						1	
10		B3538112000		OIL RETURN TUBE HOLDER						1	
11		SM4040655SP		SCREW M4 L=6						1	



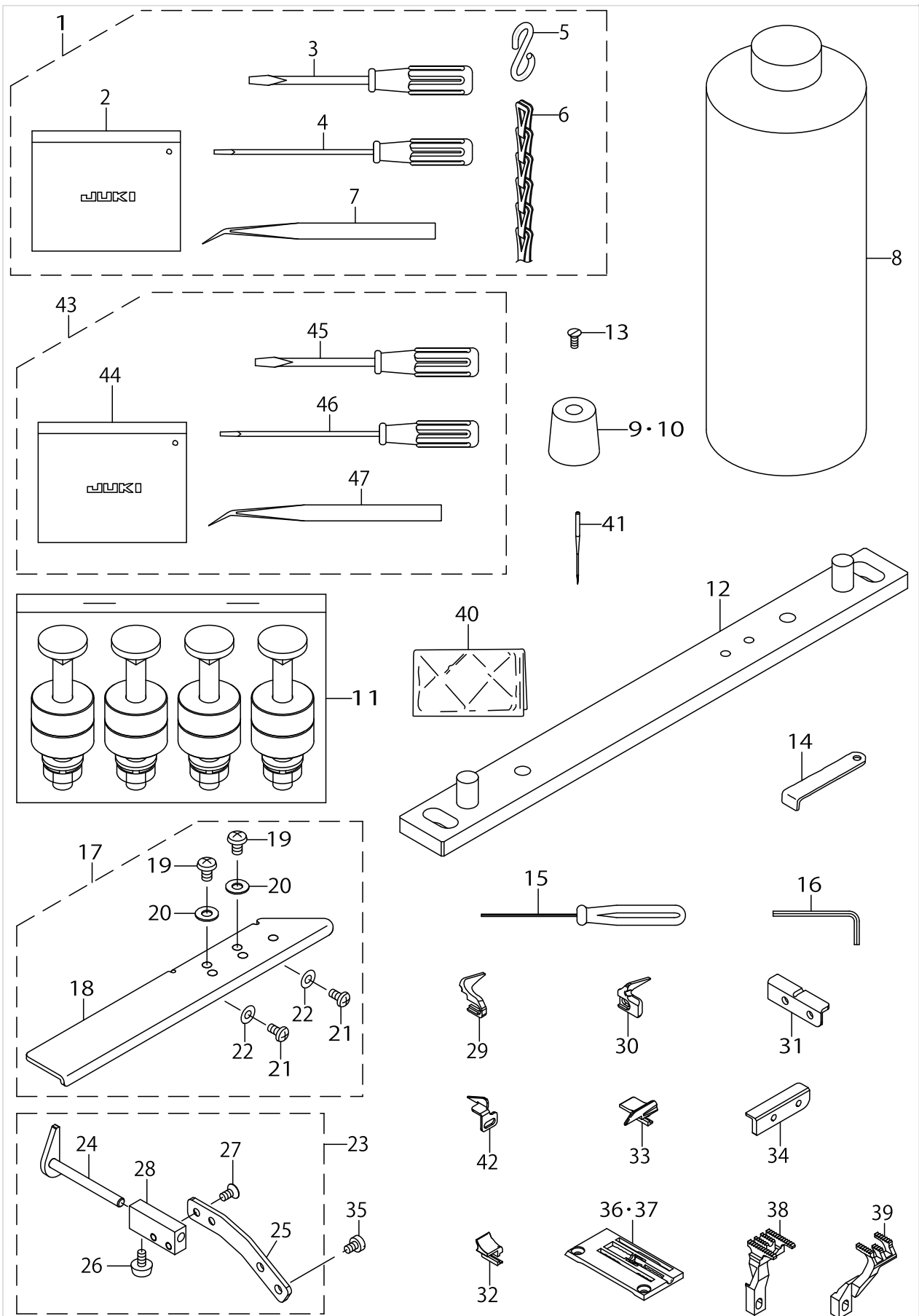
ACCESSORIES PARTS COMPONENTS



ACCESSORIES PARTS COMPONENTS

No.	Supply Code	Parts No.	Replacement	Parts name	Remarks	Choice	Step	Level	Cons	Qty	Rep. QTY
1		40013913		ACCESSORY_BAG_ASSY						1	
2		22932800		ACCESSORIE BAG				*		1	
3		22933105		SCREW DRIVER,MIDDLE				*		1	
4		12347308		SCREW DRIVER (SMALL)				*		1	
5		13160304		S SHAPED HOOK				*		2	
6		70001840		CHAIN				*		1	
7		12288403		TWEEZERS				*		1	
8	R	MML018800CB	MML018900CA	JUKI CORPORATION GENUINE OIL 1						1	1.00
9		40072505		ISOLATOR						1	
10		13155403		ISOLATOR						3	
11		13348966		ASSY_BOLT_SET						1	
12		13348859		SUPPORT_PLATE_ASSY						2	
13		13302203		SCREW						1	
14		B9101490000		DRIVER						1	
15		40032763		HEXAGONAL_DRIVER(1.5)						1	
16		J106600000B		HEXAGONAL WRENCH KEY (2MM)						1	
17		40099374		BINDER_BRACKET_ASSY						1	
18		40099373		BINDER_BRACKET				*		1	
19		SM5050855SN		SCREW M5 L=8				*		2	
20		WP0550836SC		WASHER 5.5X12X0.8				*		2	
21		SM4040855SP		SCREW				*		2	
22		WP0450801SP		WASHER				*		2	
23		70001964		HEM_GUIDE_BASE_ASSY						1	
24		70001967		HEM_GUIDE				*		1	
25		70001962		HEM_GUIDE_BASE_1				*		1	
26		40019379		KNOB_SCREW				*		1	
27		SM1040801SC		SCREW M4X0.7 L=8				*		2	
28		70001963		HEM_GUIDE_BASE_2				*		1	
29		70001813		COVERING_GUIDE_RIGHT						1	
30		70001814		COVERING_GUIDE_LEFT						1	
31		40099375		BRACKET_B						1	
32		70001838		COVERING_GUARD_L						1	
33		70001839		COVERING_GUARD_R						1	
34		70001846		BRACKET						1	
35		SM6040650TP		SCREW						2	
36		13352307		THROAT_PLATE	FOR B56					1	
37		13352406		THROAT_PLATE	FOR B64					1	
38		70001946		MAIN_FEED_DOG	FOR B56,B64					1	
39		70001947		DIFF_FEED_DOG	FOR B56,B64					1	
40		40066644		HEAD_COVER						1	
41		MUY128S1003		NEEDLES(PACKAGE_OF_3)						1	
42		70001842		GUIDE_LEFT						1	
43		70004227		ACCESSORY_BAG_ASSY	FOR UT35,UT37					1	
44		22932800		ACCESSORIE BAG				*		1	
45		22933105		SCREW DRIVER,MIDDLE				*		1	
46		12347308		SCREW DRIVER (SMALL)				*		1	

ACCESSORIES PARTS COMPONENTS



ACCESSORIES PARTS COMPONENTS

No.	Supply Code	Parts No.	Replacement	Parts name	Remarks	Choice	Step	Level	Cons	Qty	Rep. QTY
47		12288403		TWEEZERS				*		1	

## HOW TO MAKE USE OF THIS PARTS LIST

1.As to "#01" and "#02" refer to the "Note" given at the bottom of the respective pages.

2.Codes on the "Qty" column

- Each numeral indicates the number of parts required.
- "0.1" and "2.5" indicate the length (in meters) of the respective parts.

3.Parentheses mean that the corresponding part is a subpart that constructs an assembly part.

4.Dotted lines on the Figures indicate assembly parts.

1. リストページの# 0 1、# 0 2の印は、ページ下の"注記"の説明を参照下さい。
2. 数量欄の数字は、個数を表し、0. 1、2. 5等の数値は、長さ（単位メートル）を表します。
3. 数量欄の（ ）は、組部品を構成している子部品であることを意味します。
4. イラストページの-----枠は、組構成であることを意味します。

NUMERICAL INDEX OF PARTS

PART NO	PAGE	REF NO.	PART NO	PAGE	REF NO.	PART NO	PAGE	REF NO.
10753309	2	9	13314109	12	15	13324900	24	14
11856101	46	9	13315908	12	8	13325006	24	16
12288403	48	47	13317201	16	12	13325204	24	24
12288403	50	47	13317300	16	19	13325808	26	48
12347308	48	46	13317409	16	20~22	13325907	26	49
13123302	22	10	13317508	16	20~22	13326004	26	50
13140504	36	5	13317607	16	20~22	13326103	26	51
13142500	38	4	13317706	16	24	13326202	26	52
13155403	48	9-10	13317805	18	61	13326301	24	39
13160304	48	5	13317904	18	57	13326400	24	40
13170105	38	30	13318001	18	48	13326509	24	42
13171004	38	31	13318100	18	49	13326608	24	44
13217401	22	13	13318209	18	47	13326707	26	54
13217500	22	12	13318308	18	54	13326806	14	60
13217708	22	8	13318506	18	63	13326905	24	35
13227905	40	46	13318605	18	77	13328000	28	3
13228200	38	45	13318704	16	14~16	13328208	28	4
13228309	38	44	13318803	16	14~16	13328802	28	27
13300801	2	12	13318902	16	14~16	13329008	28	13
13301106	2	25	13319009	16	42	13329206	28	22
13301205	2	24	13319405	18	73	13332309	30	14
13301700	2	15	13319504	18	76	13332804	30	19
13301809	4	25	13319702	16	32	13332903	30	17
13302104	4	53	13319900	16	35	13333208	30	16
13302104	6	53	13319959	16	34	13333307	30	28
13302203	4	24	13320007	16	36	13333505	30	30
13302203	48	13	13320106	16	37	13333604	30	31
13302302	4	49	13320304	22	18	13333703	30	37
13302302	6	49	13320403	22	19	13334701	32	2
13302708	4	46	13321203	22	4	13337100	8	19
13304209	6	54	13321708	16	28	13337308	34	2
13304308	4	48	13322003	18	81	13337357	34	1
13304308	6	48	13322102	18	84	13337407	34	3
13305107	4	45	13322201	18	79	13337506	34	5
13307251	10	48	13322409	16	30	13337605	34	13
13307301	10	53	13323209	22	25	13337704	34	21
13307509	8	13	13323308	16	8~10	13337803	34	23
13308457	8	8	13323407	16	8~10	13337902	34	31
13308507	8	32	13323506	16	8~10	13338504	34	17
13308705	8	28	13323803	16	5	13338801	34	7
13308804	8	1	13324108	8	64	13338900	28	23
13309208	10	73	13324108	10	64	13338900	34	28
13313101	12	3	13324504	24	5	13340005	36	21
13313309	12	4	13324603	24	8	13340104	36	22
13313804	12	11	13324702	24	10	13340302	36	6

# NUMERICAL INDEX OF PARTS

PART NO	PAGE	REF NO.	PART NO	PAGE	REF NO.	PART NO	PAGE	REF NO.
13343009	38	41	22932800	48	44	40070229	44	41
13343108	38	40	22933105	48	45	40070230	44	40
13343207	40	48	22945505	24	43	40070231	44	35
13343306	40	49	22945802	24	41	40070573	12	2
13343405	40	47	23612609	24	9	40070574	12	1
13343801	38	5	23629306	38	64	40072505	48	9~10
13344809	38	3	23629306	40	64	40078278	10	67~69
13345053	40	66	23629504	38	23	40078279	10	67~69
13345202	38	1	26019000	36	7	40078280	10	67~69
13345400	38	43	30391601	24	25	40078282	10	77
13345459	38	39	31013808	22	22	40078291	14	54
13345509	38	29	40004606	28	21	40078292	14	48
13345608	38	33	40004749	40	53	40078293	12	45
13345855	38	8	40013913	48	1	40078293	28	33
13345905	38	34	40018443	22	21	40078295	14	58
13346101	38	38	40018922	8	10	40078296	14	65
13346556	38	6	40019335	30	38	40078299	14	63
13346705	38	24	40019379	48	26	40078300	14	64
13348008	24	19	40023441	30	13	40078301	14	55
13348305	46	8	40023481	30	12	40078302	14	50
13348859	48	12	40024405	38	28	40078303	14	52
13348966	48	11	40032763	48	15	40078304	14	56
13350004	44	1·2	40033341	2	14	40078305	14	49
13350103	44	1·2	40035711	8	44	40078306	14	51
13350202	44	3~5	40039630	22	3	40078307	12	17
13350301	44	3~5	40040206	22	1	40078311	28	15
13350400	44	3~5	40040513	44	12~14	40078312	28	16
13352307	48	36·37	40040514	44	12~14	40078313	28	17
13352406	48	36·37	40042363	36	9	40078314	28	18
13353701	44	15·16	40042364	36	10	40078317	14	62
13354204	44	15·16	40042365	36	11	40078318	28	1
13357603	44	17·18	40042366	36	12	40078319	28	2
13358304	44	17·18	40050448	34	26	40078320	14	66
13375209	44	29	40050449	34	29	40081965	10	79
13377106	44	31	40052522	34	20	40082196	4	21
13398409	18	71	40052924	32	1	40082974	44	19~22
13399209	28	11	40056919	46	1	40082975	44	23~26
13406707	8	3	40058033	44	12~14	40085784	42	8
13407408	8	6	40058587	44	10·11	40085785	42	11
13409800	4	28	40058706	44	10·11	40085788	42	15
13426903	4	2	40065785	36	2	40085789	42	14
13429105	46	2	40066644	48	40	40085790	42	16
22901805	2	34	40070224	44	27	40085791	42	17
22902506	2	2	40070226	44	32	40085792	42	13
22924708	2	11	40070227	44	33	40085793	42	12

# NUMERICAL INDEX OF PARTS

PART NO	PAGE	REF NO.	PART NO	PAGE	REF NO.	PART NO	PAGE	REF NO.
40085794	42	4	70001426	4	26	70001508	20	96
40085795	42	3	70001430	2	36	70001509	16	29
40085796	42	10	70001431	4	27	70001510	16	62
40085995	26	55	70001432	10	76	70001510	18	62
40087068	30	3	70001434	8	16	70001511	16	43
40087083	14	68	70001436	6	58	70001512	18	60
40087101	14	69	70001437	8	45	70001513	18	72
40090130	44	23~26	70001439	8	46	70001514	22	28
40090131	44	23~26	70001440	10	56·80	70001515	22	29
40090132	44	23~26	70001442	10	60	70001516	22	30
40090133	44	19~22	70001443	10	51	70001517	22	31
40090196	44	19~22	70001444	10	65	70001518	22	32
40090197	44	19~22	70001445	8	2	70001521	16	1
40096325	42	9	70001446	8	15	70001522	16	3
40096326	42	7	70001447	8	25	70001523	18	87
40096327	42	5	70001448	8	26	70001524	18	89
40099371	4	37	70001451	8	35	70001525	18	90
40099373	48	18	70001453	8	39	70001526	18	91
40099374	48	17	70001454	10	59	70001527	20	93
40099375	48	31	70001458	8	31	70001528	16	26
40100791	30	25	70001462	14	47	70001530	22	7
40100793	30	29	70001463	14	57	70001531	22	17
40101602	36	13	70001465	12	46	70001532	20	100
40102003	36	14	70001477	12	37	70001533	20	101
40106574	42	6	70001478	12	35	70001535	10	62
40106575	42	2	70001480	12	5	70001536	10	63
40106576	42	29	70001481	12	6	70001537	24	3
40106577	42	18	70001483	12	9	70001540	24	18
40106578	42	19	70001485	12	13	70001541	24	29
40106579	42	30	70001486	12	19	70001542	24	31
40106580	42	28	70001487	12	29	70001543	24	32
40106583	42	27	70001488	12	32	70001544	26	58
40106592	42	1	70001489	12	33	70001545	26	60
70001407	2	28	70001490	12	34	70001546	24	20
70001409	2	7	70001491	12	39	70001548	24	13
70001411	2	1	70001492	12	42	70001555	28	6
70001414	4	29	70001493	12	43	70001556	28	29·31
70001415	4	13	70001494	12	22	70001561	28	10
70001416	2	5	70001495	12	25	70001562	28	14
70001418	4	41	70001498	12	21	70001563	28	29·31
70001420	4	1	70001499	12	7	70001572	30	7
70001421	2	13	70001500	12	18	70001573	30	11
70001422	2	22	70001505	16	2	70001575	30	35
70001423	4	15	70001506	18	74	70001579	30	24
70001424	4	18	70001507	20	94	70001580	30	4



NUMERICAL INDEX OF PARTS

PART NO	PAGE	REF NO.	PART NO	PAGE	REF NO.	PART NO	PAGE	REF NO.
70001581	30	6	70001962	48	25	NM6050001SC	24	45
70001582	30	2	70001963	48	28	NM6050001SC	28	8
70001583	30	45	70001964	48	23	NM6050001SC	34	16
70001584	30	41	70001967	48	24	NM6050001SC	38	26
70001585	30	44	70001975	40	69	NM6050001SE	42	23
70001587	32	5	70001976	6	60	NM6060001CP	12	27
70001588	32	12	70001978	4	8	NM6850001SC	30	43
70001589	22	26	70001987	30	1	PS0150065KP	44	42
70001590	32	7	70003278	8	30	PS0150082KH	24	22
70001591	32	8	70003316	10	81	PS0300162KH	18	58
70001592	32	4	70003331	10	56-80	PS0400082KP	24	34
70001599	8	18	70003995	22	35	PS0500142KP	12	20
70001600	8	17	70004184	8	43	RC0100001KP	16	40
70001601	34	10	70004227	48	43	RC0741013KP	18	70
70001602	34	19	B2556280000	18	67	RC1900002KP	4	3
70001603	34	25	B3215470000	18	52	RE0300000K0	4	42
70001604	34	27	B3538112000	46	10	RE0300000K0	22	11
70001610	36	1	B9101490000	48	14	RE0500000K0	18	55
70001612	36	4	B9214850000	24	21	RE0500000K0	32	11
70001613	36	18	BP30000010R	38	65	RE0700000K0	34	12
70001614	36	19	BP30000010R	40	65	RO055200100	18	51
70001615	36	16	BT0600402EA	46	4	RO055200100	32	9
70001616	36	17	CM300200001	2	35	RO068190100	22	2
70001617	36	15	CM300200001	6	65	RO137230100	18	82
70001620	36	8	CM301200001	2	37	RO148240200	8	42
70001631	40	61	CQ303000000	16	23	RO158240100	16	7
70001634	38	10	CQ303000000	46	5	RO195240100	2	10
70001636	38	36	CS1000881TP	16	85	RO445300100	10	78
70001638	10	57	CS1000881TP	18	85	SB110002300	8	27
70001639	40	59	CS1000881TP	22	23	SB120001500	8	41
70001644	46	6	CS1000881TP	24	6	SB120001800	8	5
70001659	4	44	CS1000881TP	28	25	SB120001900	10	70
70001813	48	29	CS1000881TP	30	8	SB120002200	10	55
70001814	48	30	EA9500B0100	40	60	SD0600266TP	6	62
70001830	6	64	J106600000B	48	16	SD0640246SP	2	20
70001831	6	63	MML018800CB	48	8	SD0640246SP	30	21
70001837	2	27	MUY128S1000	44	7	SD0700206TP	12	16
70001838	48	32	MUY128S1003	48	41	SD0700586TP	12	24
70001839	48	33	NM6030001SC	30	32	SD0801326TH	16	33
70001840	48	6	NM6030001SD	44	39	SK3412001SE	42	22
70001842	48	42	NM6040000SN	2	19	SL4041281SC	30	15
70001846	48	34	NM6040000SN	6	57	SM1030400SP	22	33
70001946	48	38	NM6040000SN	40	68	SM1040650TP	24	38
70001947	48	39	NM6040002SC	42	33	SM1040750TP	26	59
70001959	16	27	NM6050001SC	18	69	SM1040800SP	4	7

## NUMERICAL INDEX OF PARTS

PART NO	PAGE	REF NO.	PART NO	PAGE	REF NO.	PART NO	PAGE	REF NO.
SM1040801SC	48	27	SM5050855SN	48	19	SM6061402TP	28	9
SM1041400SP	4	11	SM6030402TP	18	56	SM6061802TP	38	32
SM1850600SP	44	34	SM6030600SP	16	39	SM6062550TP	12	26
SM4030455SN	2	17	SM6030600SP	46	7	SM6850400SP	44	36
SM4030855SN	2	18	SM6030800SP	4	38	SM6850802TN	30	42
SM4030855SN	14	61	SM6040600SP	40	51	SM7051460TP	22	15
SM4030855SN	24	27	SM6040602TP	4	10	SM8030312TP	24	26
SM4040555SP	6	51	SM6040650TP	48	35	SM8030312TP	44	9
SM4040655SP	2	23	SM6040750TP	4	22	SM8030412TP	44	30
SM4040655SP	4	56	SM6040750TP	34	32	SM8031002TP	44	38
SM4040655SP	6	56	SM6040800SP	4	14	SM8040312TP	32	14
SM4040655SP	8	36	SM6040800SP	12	38	SM8040412TP	4	50
SM4040655SP	12	10	SM6040800SP	20	98	SM8040412TP	6	50
SM4040655SP	24	56	SM6040800SP	26	47	SM8040412TP	8	22
SM4040655SP	26	56	SM6040800SP	44	28	SM8040412TP	18	53
SM4040655SP	30	36	SM6041000SP	12	53	SM8040412TP	28	12
SM4040655SP	36	23	SM6041000SP	14	53	SM8040512TP	12	44
SM4040655SP	38	62	SM6041000SP	16	31	SM8040602TP	18	50
SM4040655SP	40	62	SM6041000SP	22	34	SM8040612TP	18	83
SM4040655SP	46	11	SM6041000SP	28	30	SM8050412TP	18	99
SM4040855SP	2	6	SM6041000SP	34	22	SM8050412TP	20	99
SM4040855SP	38	37	SM6041002TP	4	12	SM8050412TP	28	26
SM4040855SP	48	21	SM6041200SP	12	14	SM8050412TP	38	42
SM4041055SP	2	8	SM6041200SP	28	28	SM8050612TP	16	86
SM4041055SP	6	55	SM6041202TP	12	23	SM8050612TP	18	86
SM4041055SP	8	29	SM6041202TP	34	4	SM8050612TP	22	24
SM4041055SP	12	41	SM6042000SP	40	50	SM8050612TP	24	7
SM4041055SP	24	15	SM6050800SP	4	23	SM8050612TP	30	9
SM4041055SP	36	20	SM6051000SP	32	13	SM8050612TP	32	6
SM4041055SP	38	2	SM6051002TP	12	30	SM8050612TP	34	14
SM4041201SC	42	31	SM6051002TP	24	1	SM8050812TP	16	95
SM4041655SP	36	3	SM6051202TP	12	59	SM8050812TP	20	95
SM4042501SC	42	32	SM6051202TP	14	59	SM8060552TP	8	34
SM4050855SP	46	3	SM6051400SP	4	39	SM8060552TP	16	80
SM4051001SE	42	21	SM6051402TP	24	12	SM8060552TP	18	80
SM4051055SP	6	66	SM6051402TP	34	30	SM8060552TP	30	39
SM4051055SP	8	20	SM6051602TP	6	59	SM8060612TP	8	82
SM4051255SP	18	65	SM6051602TP	18	68	SM8060612TP	10	82
SM4051255SP	22	14	SM6051602TP	40	55	SM8060612TP	16	88
SM4051405SE	42	20	SM6061200SP	10	75	SM8060612TP	18	88
SM4060801SE	2	26	SM6061202TP	12	28	SM8060612TP	28	19
SM4850455SP	24	37	SM6061202TP	18	75	SM8060612TP	34	6
SM4850455SP	30	34	SM6061402TP	8	61	SM80606A2TP	18	78
SM4850455SP	32	3	SM6061402TP	10	61	SM8060812TP	8	54
SM5040655SN	22	6	SM6061402TP	16	38	SM8060812TP	10	54

NUMERICAL INDEX OF PARTS

PART NO	PAGE	REF NO.	PART NO	PAGE	REF NO.
SM8060842TP	8	71	WP0460556SD	22	9
SM8060842TP	10	71	WP0461516SH	34	24
SM8061212TP	8	47	WP0480856SP	20	97
SM8061212TP	10	47	WP0522016SH	24	4
SM8080812TP	10	74	WP0531000SC	4	31
SM9061050TP	28	20	WP0531000SD	4	4
SQ0000452MZ	38	15	WP0531001SC	42	24
SQ0000453MZ	38	13	WP0550800SP	4	43
SQ0000454MZ	38	12	WP0550800SP	28	7
SQ2050452MZ	38	25	WP0550800SP	34	15
SQ2060441SD	38	16	WP0550800SP	40	54
SQ2060442SD	38	11	WP0550836SC	48	20
SQ2060451MZ	40	52	WP0551016SH	12	31
ST4040851SN	24	23	WP0621016SD	22	16
TA0400301M0	4	9	WP0621016SD	32	10
TA0500601M0	16	46	WP1021026SH	34	11
TA0500601M0	34	18	WP1022016SH	28	24
TA0600401R0	28	32	WP1612616SE	42	25
TA0750404R0	22	27	WS0510002KN	24	11
TA0850604R0	2	33	WS0510002KN	42	26
TA0850604R0	4	47	WS0510002KP	4	30
TA0850604R0	6	47	WS0510002KP	8	24
TA0850604R0	14	67	WS0510002KP	24	2
TA1050504R0	2	3	WZ0641510KP	2	16
TA1050504R0	4	70	WZ0641510KP	6	61
TA1050504R0	6	70	WZ0641510KP	30	22
TA1250705R0	2	31			
TA1600406R0	34	9			
TA2050406R0	2	30			
TA2050416R0	4	68			
TA2050416R0	6	68			
TA2101002R0	6	67			
TA2101002R0	30	40			
WP0280500SC	30	33			
WP0280500SC	44	37			
WP0280501SC	24	36			
WP0370316SD	16	18			
WP0410516SD	30	23			
WP0450000SD	6	69			
WP0450801SC	26	57			
WP0450801SC	40	67			
WP0450801SP	48	22			
WP0450826SC	12	40			
WP0450826SC	22	5			
WP0450826SC	24	46			