

MODEL : MF-7900D-H22/23

List No : 1601-01

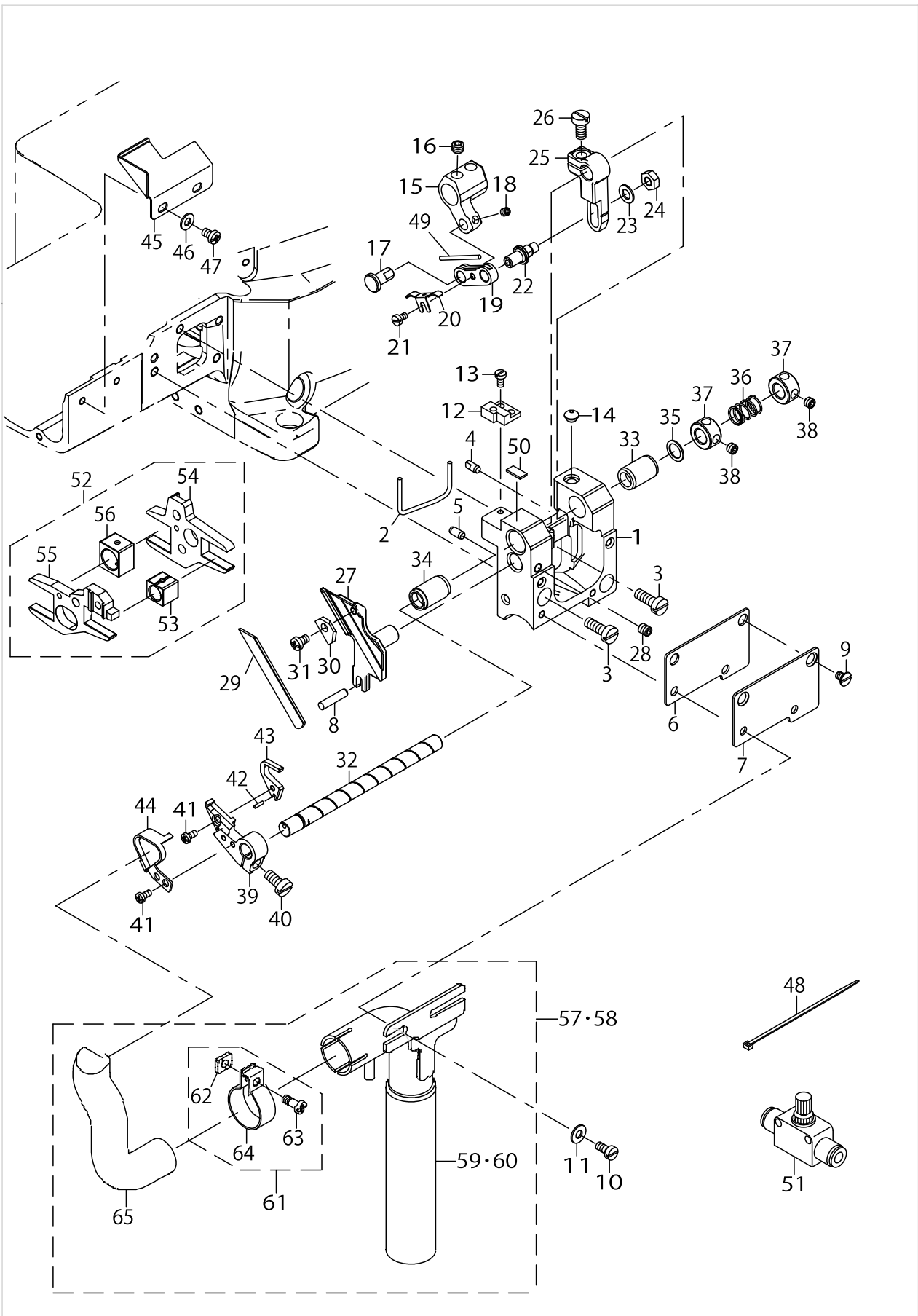
PARTS LIST

Published:05/12/2017

CONTENTS

DEVICE COMPONENTS	1
MISCELLANEOUS COVER COMPONENTS.....	5
GAUGE COMPONENTS (FOR H22)	9
GAUGE COMPONENTS (FOR H23)	11
HOW TO MAKE USE OF THIS PARTS LIST	13

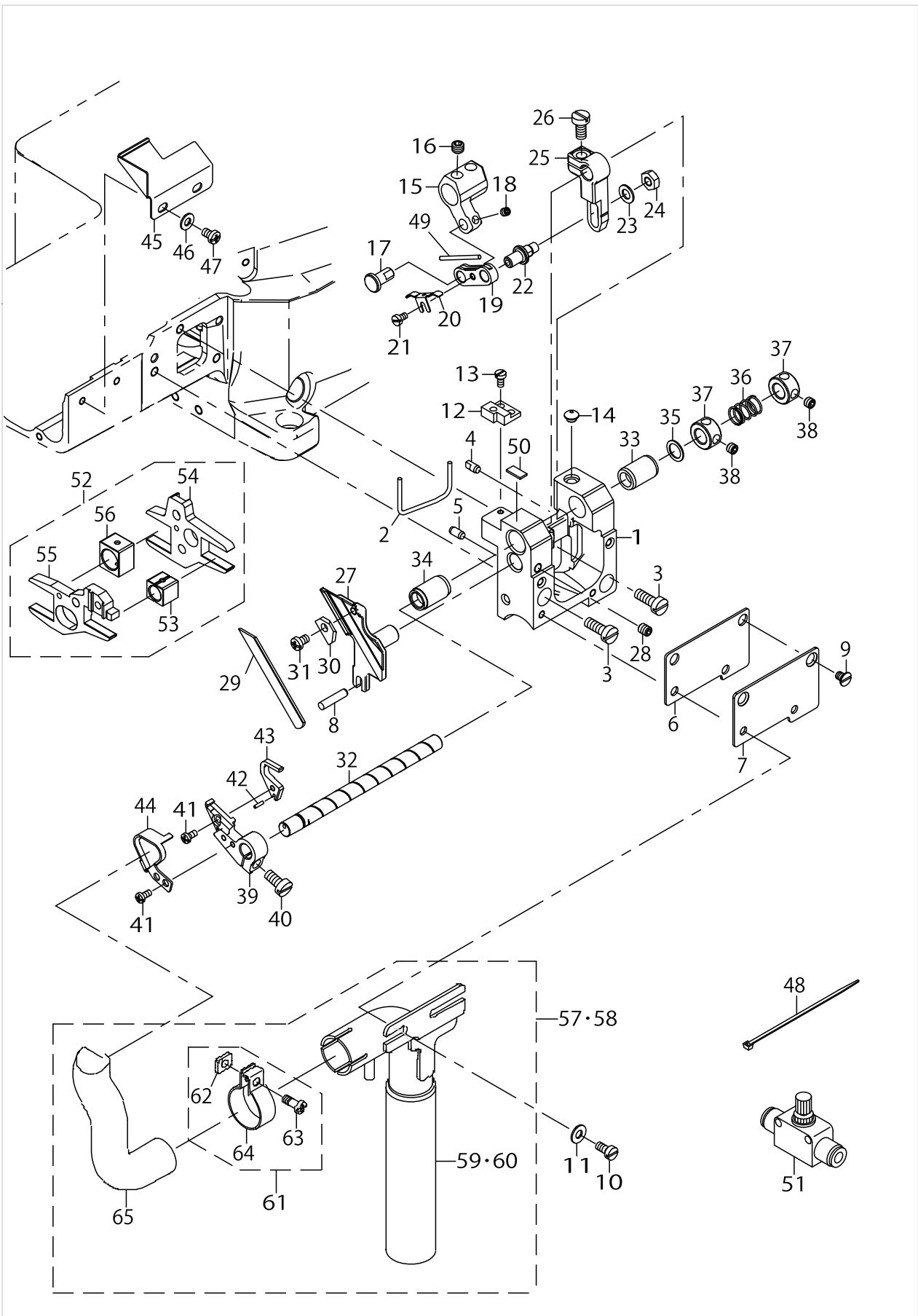
DEVICE COMPONENTS



DEVICE COMPONENTS

No.	Supply Code	Parts No.	Replacement	Parts name	Remarks	Choice	Step	Level	Cons	Qty	Rep. QTY
1		70001851		SUPPORT_BLOCK						1	
2		RO437200200		RUBBER RING						1	
3		SM6051400SP		SCREW						3	
4		13301908		DOWEL PIN 2						1	
5		13302500		DOWEL PIN 2						1	
6		70001863		S_B_COVER_GASKET						1	
7		70001864		SUPPORT_BLOCK_COVER						1	
8		PH0400185S0		PIN						1	
9		SM1040650TP		SCREW						2	
10		SM6040800SP		SCREW						2	
11		WP0450801SC		WASHER 4.5X10X0.8						2	
12		40040211		TP_ADJUST_PLATE						1	
13		SM6030600SP		SCREW M3X0.5 L=6						2	
14		13302302		RUBBER BUMPER						1	
15		13461306		DRIVE_LEVER						1	
16		SM8060552TP		SCREW M6 L=5						2	
17		13461504		LINK_PIN						1	
18		SM8040412TP		SET SCREW M4 L=4						1	
19		70001856		LINK						1	
20		70001857		OIL_WICK_PLATE						1	
21		SM6030500SN		SCREW M3 L=5						1	
22		13461207		ADJUST_PIN						1	
23		WP0550800SP		WASHER 5.5X10X0.8						1	
24		NM6050001SP		NUT M5						1	
25		70001858		ADJUST_LEVER						1	
26		SM6051000SP		SCREW						1	
27		70001855		LOWER_KNIFE HOLDER						1	
28		SM8050612TP		SCREW M5X6						1	
29		40042378		LOWER_KNIFE						1	
30		40042319		LOWER_KNIFE_PRESSER_PLATE						1	
31		SM4040655SP		SCREW M4 L=6						1	
32		40040711		SHAFT						1	
33		70001853		BUSHING_RIGHT						1	
34		70001854		BUSHING_LEFT						1	
35		WP0820516SP		WASHER 11.6X8.2X0.6						1	
36		40040306		UPPER_KNIFE_SPRING						1	
37		CS0800881TP		THRUST COLLAR						2	
38		SM8050412TP		SCREW M5 L=4						2	
39	R	70001860	PS0200062KH	UPPER_KNIFE HOLDER		A				1	1.00
39	R	70001860	SM6850350TP	UPPER_KNIFE HOLDER		A				1	1.00
39	R	70001860	70004848	UPPER_KNIFE HOLDER		A				1	1.00
39	R	70001860	70004847	UPPER_KNIFE HOLDER		A				1	1.00
39	R	70001860	70004846	UPPER_KNIFE HOLDER		A				1	1.00
39	R	70001860	SM4030455SP	UPPER_KNIFE HOLDER		A				1	1.00
39	R	70001860	70004845	UPPER_KNIFE HOLDER		A				1	1.00
39	R	70001860	40181704	UPPER_KNIFE HOLDER		A				1	1.00

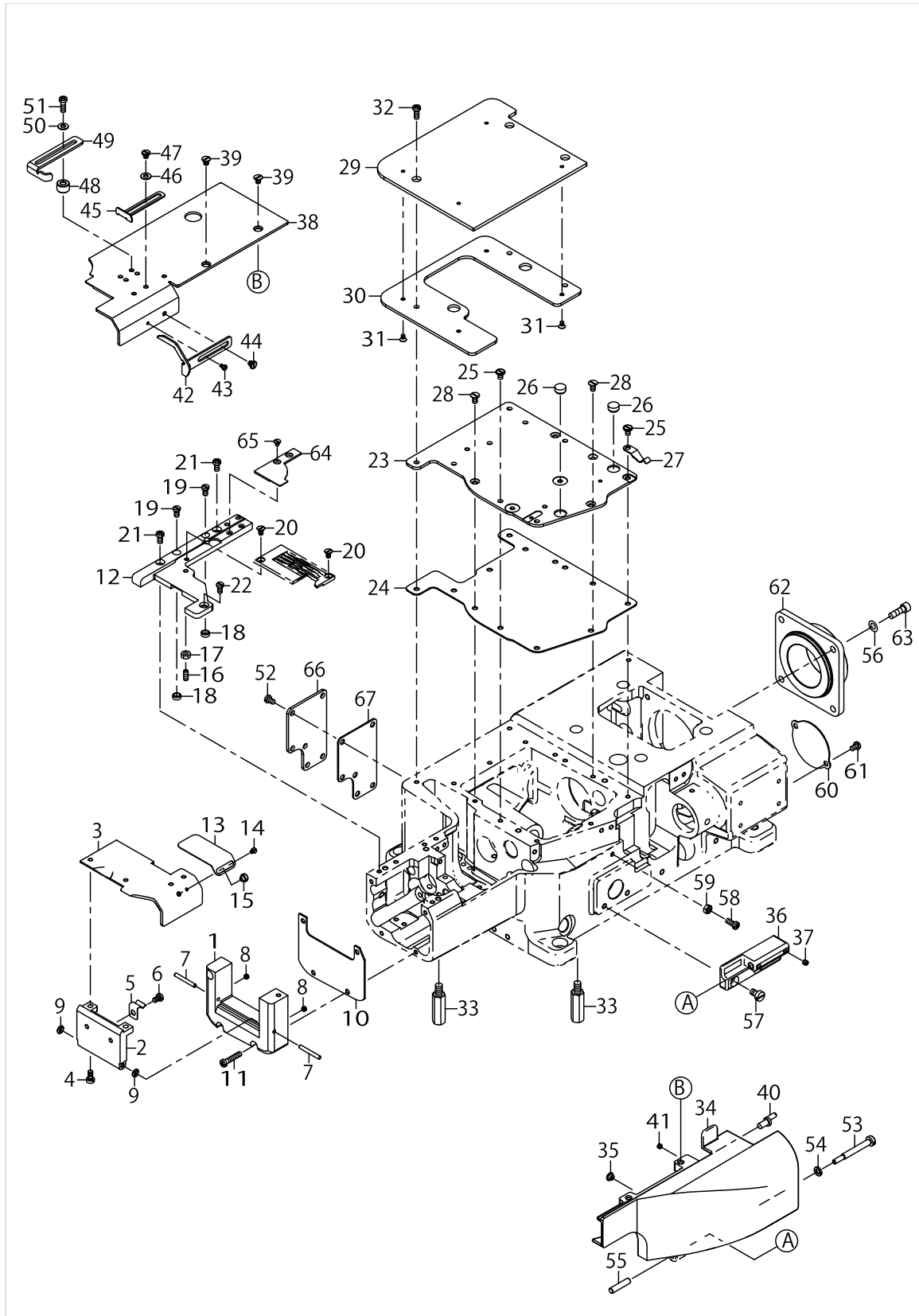
DEVICE COMPONENTS



DEVICE COMPONENTS

No.	Supply Code	Parts No.	Replacement	Parts name	Remarks	Choice	Step	Level	Cons	Qty	Rep. QTY
40		SM6051000SP		SCREW						1	
41		SM4030655SP		SCREW						3	
42		PH0150065C0		PIN						1	
43		70001861		UPPER_KNIFE						1	
44	R	70001889	SM4030455SP	FABRIC_TRIMMER_GUIDE		A				1	1.00
44	R	70001889	70004846	FABRIC_TRIMMER_GUIDE		A				1	1.00
44	R	70001889	70004847	FABRIC_TRIMMER_GUIDE		A				1	1.00
44	R	70001889	70004848	FABRIC_TRIMMER_GUIDE		A				1	1.00
44	R	70001889	70004845	FABRIC_TRIMMER_GUIDE		A				1	1.00
44	R	70001889	SM6850350TP	FABRIC_TRIMMER_GUIDE		A				1	1.00
44	R	70001889	PS0200062KH	FABRIC_TRIMMER_GUIDE		A				1	1.00
44	R	70001889	40181704	FABRIC_TRIMMER_GUIDE						1	1.00
45		70001869		FEED_COVER						1	
46		WP0430801SC		WASHER M4						2	
47		SM4040655SP		SCREW M4 L=6						2	
48		EA9500B0100		CABLE BAND						1	
49		CQ303000000		COTTON OIL WICK D=3						.2	
50		13403605		RUBBER_PLATE						1	
51		PC012601000		SPEED CONTROLLER						1	
52		40040309		FEED_BAR_ASSY						1	
53		13413802		SLIDE BLOCK 2				*		1	
54		13413901		MAIN FEED BAR				*		1	
55		40039915		DIFF_FEED_BAR				*		1	
56		13413703		SLIDE BLOCK 1				*		1	
57		70001880		SUCTION_PIPE_SET_TOP	FOR TABLE ATTACH					1	
58		70001881		SUCTION_PIPE_SET_SUB	FOR HALF-SUNKEN TYPE TABLE					1	
59		70001877		SUCTION_PIPE_ASSY_TOP	FOR TABLE ATTACH			*		1	
60		70001878		SUCTION_PIPE_ASSY_SUB	FOR HALF-SUNKEN TYPE TABLE			*		1	
61		40043839		SUCTION_PIPE_JOINT_ASSY				*		1	
62		40043815		SUCTION_PIPE_NUT				*		1	
63		SM4041055SP		SCREW				*		1	
64		40043800		SUCTION_PIPE_JOINT				*		1	
65		40042374		SUCTION_PIPE_1				*		1	

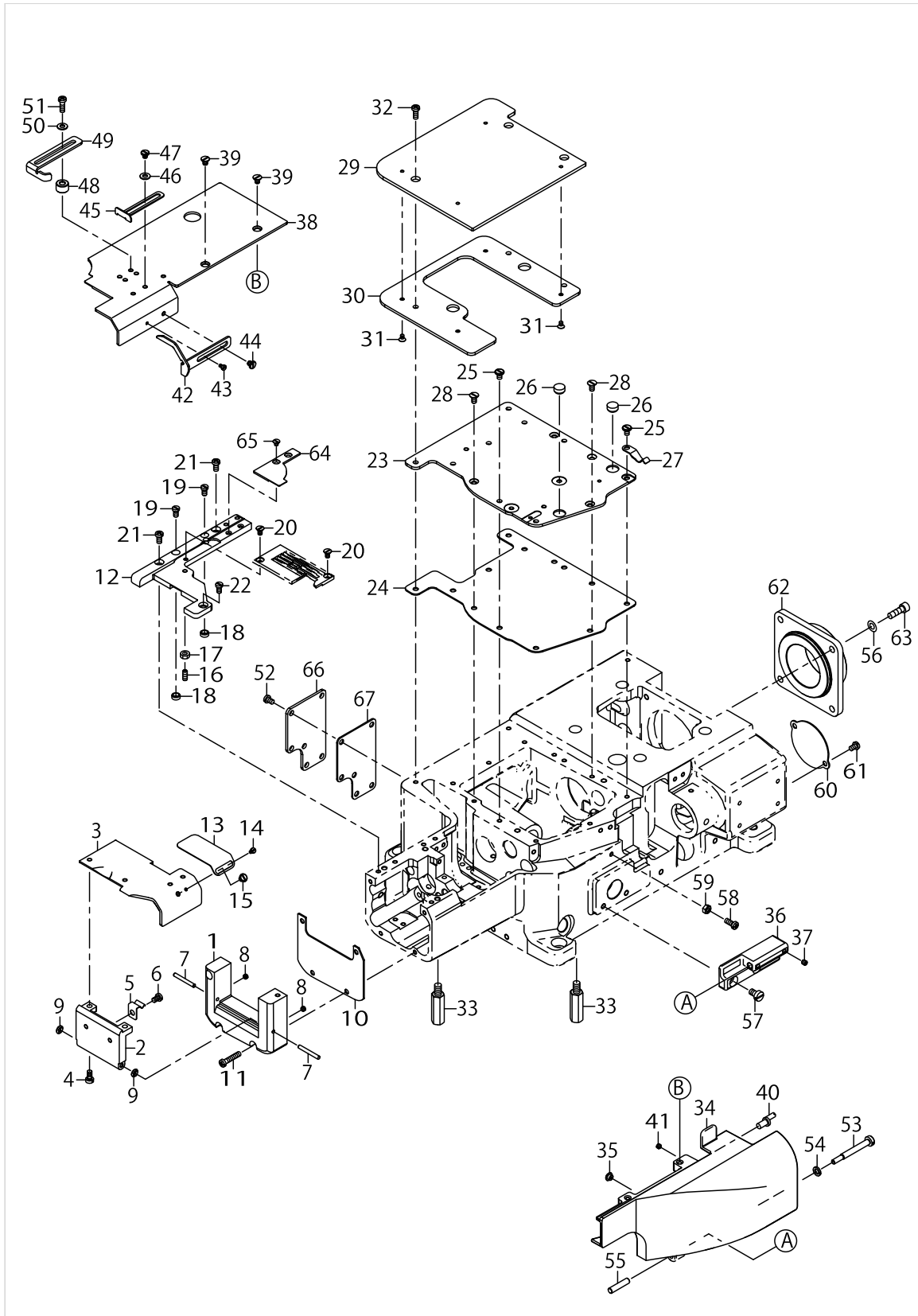
MISCELLANEOUS COVER COMPONENTS



MISCELLANEOUS COVER COMPONENTS

No.	Supply Code	Parts No.	Replacement	Parts name	Remarks	Choice	Step	Level	Cons	Qty	Rep. QTY
1		70001866		CYLINDER_COVER_H22						1	
2		70001655		SIDE_COVER_BOTTOM						1	
3		70001868		SIDE_COVER_UPPER_H22						1	
4		SM6040800SP		SCREW						2	
5		13401906		LATCH SPRING 2						1	
6		SM4040655SP		SCREW M4 L=6						1	
7		PH0300252C0		PIN						2	
8		SM8040360TP		SCREW						2	
9		RO037180100		RUBBER RING						2	
10		70001661		GASKET						1	
11		SM4042055SP		SCREW						3	
12		70001865		THROAT_PLATE_SUPPORT_H22						1	
13		70001890		SIDE_COVER						1	
14		SM6850400SP		SCREW M2.5 L=4						1	
15		SM6040450TP		SCREW M4 L=4						1	
16		SM8041012TP		SCREW M4 L=10						1	
17		NM6040000SN		NUT M4						1	
18		40082196		ADJUSTING_COLLAR						2	
19		SM6040750TP		SCREW M4 L=7						2	
20		13302203		SCREW						2	
21		SM4040855SP		SCREW						2	
22		SM6040750TP		SCREW M4 L=7						1	
23		70001662		COVER_PLATE						1	
24		70001663		GASKET_B						1	
25		SM6040800SP		SCREW						6	
26		TA0980502R0		RUBBER PLUG						2	
27		13402003		LATCH SPRING						1	
28		SM1040860SP		SCREW						4	
29		70001668		CLOTH_PLATE_REAR						1	
30		70001670		CLOTH_PLATE_REAR_LOWER						1	
31		SM1030501SN		SCREW						4	
32		SM4041055SP		SCREW						3	
33		13301809		SUPPORT STUD						4	
34		70001870		SWING_DOWN_COVER						1	
35		13302302		RUBBER BUMPER						1	
36		70001648		HINGE						1	
37		SM8040412TP		SET SCREW M4 L=4						2	
38		70001872		CLOTH_PLATE_FRONT_H22						1	
39		SM1040800SP		SCREW						2	
40		13402706		PIN FOR COVER						1	
41		SM8040360TP		SCREW						1	
42	R	70001888	70004847	HEM_GUIDE_LEFT		A				1	1.00
42	R	70001888	SM6850350TP	HEM_GUIDE_LEFT		A				1	1.00
42	R	70001888	70004848	HEM_GUIDE_LEFT		A				1	1.00
43		SM6850400SP		SCREW M2.5 L=4						1	
44		SM6040450TP		SCREW M4 L=4						1	

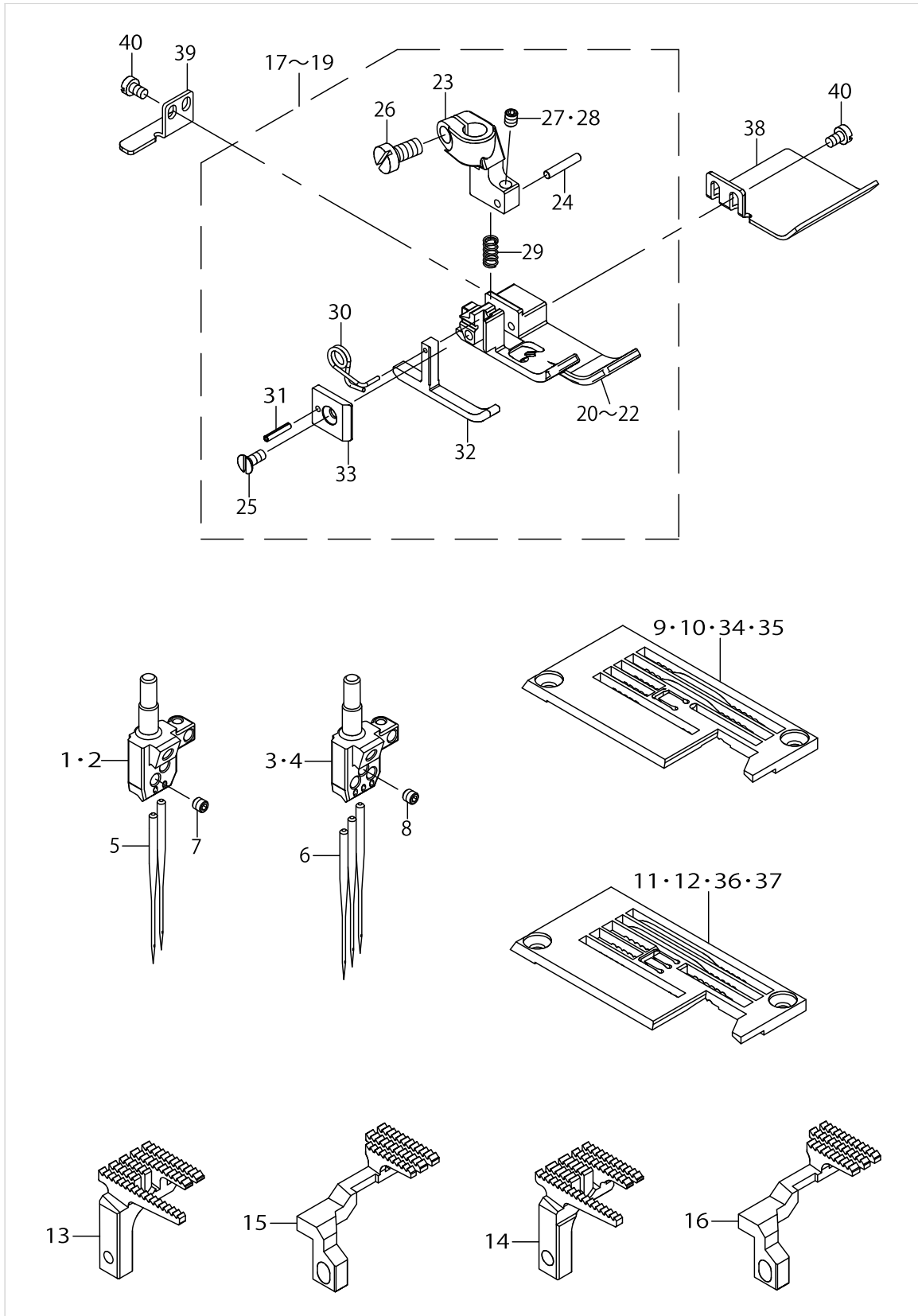
MISCELLANEOUS COVER COMPONENTS



MISCELLANEOUS COVER COMPONENTS

No.	Supply Code	Parts No.	Replacement	Parts name	Remarks	Choice	Step	Level	Cons	Qty	Rep. QTY
45	R	70001875	70004248	HEM_GUIDE_RIGHT						1	1.00
46		WP0430801SC		WASHER M4						2	
47		SM6040450TP		SCREW M4 L=4						2	
48		70001873		HEM_GUIDE_BASE						2	
49		70001874		HEM_GUIDE						1	
50		WP0430801SC		WASHER M4						2	
51		SM4041255SP		SCREW M4 L=12						2	
52		SM4040855SP		SCREW						6	
53		70001414		SCREW						1	
54		WS0510002KP		SPRING WASHER 5.1X9.2X1.3						1	
55		13409800		DIFF_LINK_PIN						1	
56		WP0531000SD		WASHER M5						4	
57		SM6050800SP		SCREW M5 L=8						2	
58		SM4041055SP		SCREW						1	
59		NM6040000SN		NUT M4						1	
60		70001673		LOOPER_THD_COVER						1	
61		SM4040655SP		SCREW M4 L=6						2	
62		70001436		HOUSING						1	
63		SM6051602TP		SCREW M5X0.8 L=16						4	
64		70001895		THROAT_PLATE_SUPPORT_COVER_S						1	
65		SM1030400SP		SCREW M3 L=4						2	
66		70001642		COVER_FOR_FEED_ADJUST						1	
67		70001643		COVER_FOR_FEED_ADJUST_PACKING						1	

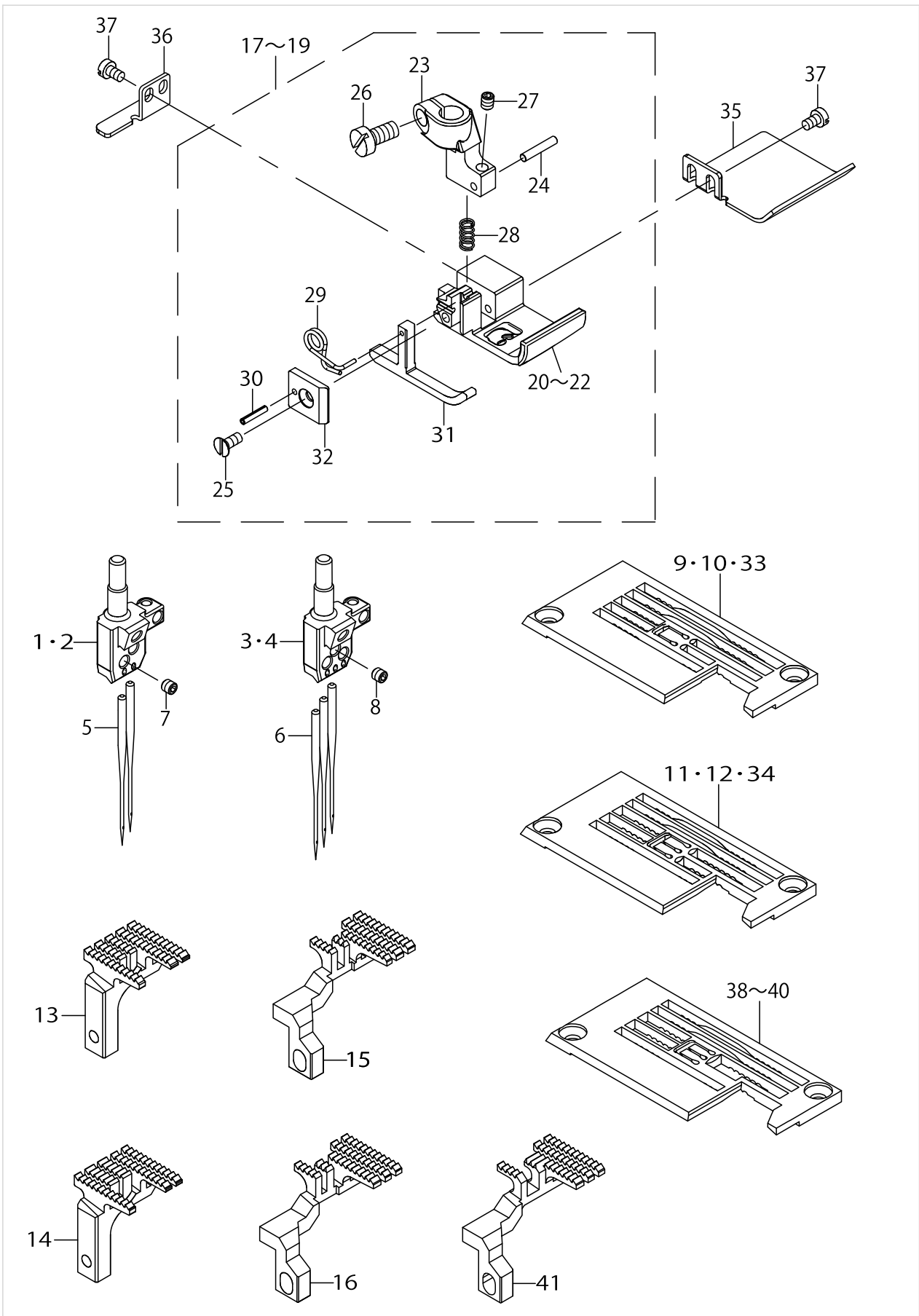
GAUGE COMPONENTS (FOR H22)



GAUGE COMPONENTS (FOR H22)

No.	Supply Code	Parts No.	Replacement	Parts name	Remarks	Choice	Step	Level	Cons	Qty	Rep. QTY
1		13350103		NEEDLE HEAD 40	FOR B40					1	
2		13350509		NEEDLE HEAD 48	FOR B48					1	
3		13350301		NEEDLE HEAD 56	FOR B56					1	
4		13350400		NEEDLE HEAD 64	FOR B64					1	
5		MUY128S1000		NEEDLE	FOR B40,B48					2	
6		MUY128S1000		NEEDLE	FOR B56,B64					3	
7		SM8030312TP		SCREW M3 L=3	FOR B40,B48					3	
8		SM8030312TP		SCREW M3 L=3	FOR B56,B64					4	
9		70001948		THROAT PLATE	FOR B40					1	
10		70001949		THROAT PLATE	FOR B48					1	
11		13445200		THROAT PLATE	FOR B56					1	
12		13445309		THROAT PLATE	FOR B64					1	
13		40069021		MAIN FEED DOG	FOR B40,B48					1	
14		13431101		MAIN FEED DOG	FOR B56,B64					1	
15		40069022		DIFF FEED DOG	FOR B40,B48					1	
16		40069023		DIFF FEED DOG	FOR B56,B64					1	
17		70001952		PRESSERFOOTASSY	FOR B40					1	
18	R	40032255	40039796	PRESSER FOOT ASSEMBLY 48	FOR B48					1	1.00
19		13467758		PRESSERFOOTASSY	FOR B56,B64					1	
20		70001951		PRESSER FOOT BOTTOM	FOR B40			*		1	
21		13467600		PRESSER FOOT BOTTOM	FOR B48			*		1	
22		40029648		PRESSER FOOT BOTTOM	FOR B56,B64			*		1	
23		13467907		PRESSER FOOT SHANK				*		1	
24		13375209		PIVOT PIN				*		1	
25		SM1850600SP		SCREW				*		1	
26		SM6040800SP		SCREW				*		1	
27		SM8030402TP		SCREW M3X0.5 L=4				*		1	
28		SM8030412TP		SCREW	FOR B48			*		1	
29		13377106		SPRING				*		1	
30		13375308		SPRING L				*		1	
31		PS0150082KH		SPRING PIN				*		1	
32		40029649		YIELDING SECTION				*		1	
33		13468103		YIELDING SECTION PLATE				*		1	
34		40069018		THROAT PLATE	FOR B40(- OPTION TYPE D)					1	
35		70001950		THROAT PLATE	FOR B48(- OPTION TYPE D)					1	
36		40069019		THROAT PLATE	FOR B56(- OPTION TYPE D)					1	
37		40069020		THROAT PLATE	FOR B64(- OPTION TYPE D)					1	
38		40038064		FABRIC GUIDE	ACCESSO- RY PARTS					1	
39		40027899		FABRIC GUIDE	ACCESSO- RY PARTS					1	
40		SM6850400SP		SCREW M2.5 L=4	ACCESSO- RY PARTS					4	

GAUGE COMPONENTS (FOR H23)



GAUGE COMPONENTS (FOR H23)

No.	Supply Code	Parts No.	Replacement	Parts name	Remarks	Choice	Step	Level	Cons	Qty	Rep. QTY
1		13350103		NEEDLE_HEAD_40	FOR B40					1	
2		13350509		NEEDLE_HEAD_48	FOR B48					1	
3		13350301		NEEDLE_HEAD_56	FOR B56					1	
4		13350400		NEEDLE_HEAD_64	FOR B64					1	
5		MUY128S1000		NEEDLE	FOR B40,B48					2	
6		MUY128S1000		NEEDLE	FOR B56,B64					3	
7		SM8030312TP		SCREW M3 L=3	FOR B40,B48					3	
8		SM8030312TP		SCREW M3 L=3	FOR B56,B64					4	
9		40058639		THROAT_PLATE	FOR B40					1	
10		13445101		THROAT_PLATE	FOR B48					1	
11		40041203		THROAT_PLATE	FOR B56					1	
12		40041204		THROAT_PLATE	FOR B64					1	
13		40041249		MAIN_FEED_DOG	FOR B40,B48					1	
14		40032900		MAIN_FEED_DOG	FOR B56,B64					1	
15		40041233		DIFF_FEED_DOG	FOR B40,B48					1	
16		40040376		DIFF_FEED_DOG	FOR B56,B64					1	
17		40048637		PRESSER_FOOT_ASSY	FOR B40					1	
18		40039796		PRESSER_FOOT_ASSY	FOR B48					1	
19		40039794		PRESSER_FOOT_ASSY	FOR B56,B64					1	
20		40048636		PRESSER_FOOT_BOTTOM	FOR B40			*		1	
21		40039795		PRESSER_FOOT_BOTTOM	FOR B48			*		1	
22		40038066		PRESSER FOOT BOTTOM	FOR B56,B64			*		1	
23		13467907		PRESSER_FOOT_SHANK				*		1	
24		13375209		PIVOT_PIN				*		1	
25		SM1850600SP		SCREW				*		1	
26		SM6040800SP		SCREW				*		1	
27		SM8030412TP		SCREW				*		1	
28		13377106		SPRING				*		1	
29		13375308		SPRING_L				*		1	
30		PS0150082KH		SPRING PIN				*		1	
31		40038032		YIELDING SECTION				*		1	
32		13468103		YIELDING_SECTION_PLATE				*		1	
33		40035066		THROAT_PLATE	FOR B40(- OPTION TYPE D)					1	
34		40049944		THROAT_PLATE	FOR B56(- OPTION TYPE D)					1	
35		40038064		FABRIC GUIDE	ACCESSO- RY PARTS					1	
36		40027899		FABRIC_GUIDE	ACCESSO- RY PARTS					1	
37		SM6850400SP		SCREW M2.5 L=4	ACCESSO- RY PARTS					4	
38		70001885		THROAT_PLATE_B56	FOR TURKEY					1	
39		70001886		THROAT_PLATE_D56	FOR TURKEY					1	
40		70004254		THROAT_PLATE	FOR TURKEY					1	
41		70001887		DIFF_FEED_DOG	FOR TURKEY					1	

HOW TO MAKE USE OF THIS PARTS LIST

- 1.As to "#01" and "#02" refer to the "Note" given at the bottom of the respective pages.
- 2.Codes on the "Qty" column
 - Each numeral indicates the number of parts required.
 - "0.1" and "2.5" indicate the length (in meters) of the respective parts.
- 3.Parentheses mean that the corresponding part is a subpart that constructs an assembly part.
- 4.Dotted lines on the Figures indicate assembly parts.

1. リストページの# 0 1、# 0 2の印は、ページ下の"注記"の説明を参照下さい。
2. 数量欄の数字は、個数を表し、0. 1、2. 5等の数値は、長さ（単位メートル）を表します。
3. 数量欄の（ ）は、組部品を構成している子部品であることを意味します。
4. イラストページの-----枠は、組構成であることを意味します。

ALL PARTS NOT MENTIONED IN THIS PARTS LIST ARE SAME AS THOSE OF
MODEL MF-7900. OTHER PARTS LIST RELATED TO THIS MODEL.
*MF-7900 (NO.1599 PART NO.70002009)

このパーツリスト記載以外の部品はMF-7900と共通です。
この機種に関連するパーツリストとして下記のパーツリストがあります。
*MF-7900 (NO.1599 品番70002009)

NUMERICAL INDEX OF PARTS

PART NO	PAGE	REF NO.	PART NO	PAGE	REF NO.	PART NO	PAGE	REF NO.
13301809	6	33	40029649	10	32	70001661	6	10
13301908	2	4	40032255	10	17~19	70001662	6	23
13302203	6	20	40032900	12	14	70001663	6	24
13302302	2	14	40035066	12	9·10·33	70001668	6	29
13302302	6	35	40038032	12	31	70001670	6	30
13302500	2	5	40038064	10	38	70001673	8	60
13350103	10	1·2	40038064	12	35	70001851	2	1
13350103	12	1·2	40038066	12	20~22	70001853	2	33
13350301	10	3·4	40039794	12	17~19	70001854	2	34
13350301	12	3·4	40039795	12	20~22	70001855	2	27
13350400	10	3·4	40039796	12	17~19	70001856	2	19
13350400	12	3·4	40039915	4	55	70001857	2	20
13350509	10	1·2	40040211	2	12	70001858	2	25
13350509	12	1·2	40040306	2	36	70001860	2	39
13375209	10	24	40040309	4	52	70001861	4	43
13375209	12	24	40040376	12	16	70001863	2	6
13375308	10	30	40040711	2	32	70001864	2	7
13375308	12	29	40041203	12	11·12·34	70001865	6	12
13377106	10	29	40041204	12	11·12·34	70001866	6	1
13377106	12	28	40041233	12	15	70001868	6	3
13401906	6	5	40041249	12	13	70001869	4	45
13402003	6	27	40042319	2	30	70001870	6	34
13402706	6	40	40042374	4	65	70001872	6	38
13403605	4	50	40042378	2	29	70001873	8	48
13409800	8	55	40043800	4	64	70001874	8	49
13413703	4	56	40043815	4	62	70001875	8	45
13413802	4	53	40043839	4	61	70001877	4	59·60
13413901	4	54	40048636	12	20~22	70001878	4	59·60
13431101	10	14	40048637	12	17~19	70001880	4	57·58
13445101	12	9·10·33	40049944	12	11·12·34	70001881	4	57·58
13445200	10	11·12·36- ·37	40058639	12	9·10·33	70001885	12	38~40
			40069018	10	9·10·34·35	70001886	12	38~40
13445309	10	11·12·36- ·37	40069019	10	11·12·36- ·37	70001887	12	41
13461207	2	22				70001888	6	42
13461306	2	15	40069020	10	11·12·36- ·37	70001889	4	44
13461504	2	17	40069021	10	13	70001890	6	13
13467600	10	20~22	40069022	10	15	70001895	8	64
13467758	10	17~19	40069023	10	16	70001948	10	9·10·34·35
13467907	10	23	40082196	6	18	70001949	10	9·10·34·35
13467907	12	23	70001414	8	53	70001950	10	9·10·34·35
13468103	10	33	70001436	8	62	70001951	10	20~22
13468103	12	32	70001642	8	66	70001952	10	17~19
40027899	10	39	70001643	8	67	70004254	12	38~40
40027899	12	36	70001648	6	36	CQ303000000	4	49
40029648	10	20~22	70001655	6	2	CS0800881TP	2	37

NUMERICAL INDEX OF PARTS

PART NO	PAGE	REF NO.	PART NO	PAGE	REF NO.
EA9500B0100	4	48	SM6051400SP	2	3
MUY128S1000	10	6	SM6051602TP	8	63
MUY128S1000	12	6	SM6850400SP	6	43
NM6040000SN	6	59	SM6850400SP	10	40
NM6040000SN	8	59	SM6850400SP	12	37
NM6050001SP	2	24	SM8030312TP	10	8
PC012601000	4	51	SM8030312TP	12	8
PH0150065C0	4	42	SM8030402TP	10	27·28
PH0300252C0	6	7	SM8030412TP	10	27·28
PH0400185S0	2	8	SM8030412TP	12	27
PS0150082KH	10	31	SM8040360TP	6	41
PS0150082KH	12	30	SM8040412TP	2	18
RO037180100	6	9	SM8040412TP	6	37
RO437200200	2	2	SM8041012TP	6	16
SM1030400SP	8	65	SM8050412TP	2	38
SM1030501SN	6	31	SM8050612TP	2	28
SM1040650TP	2	9	SM8060552TP	2	16
SM1040800SP	6	39	TA0980502R0	6	26
SM1040860SP	6	28	WP0430801SC	4	46
SM1850600SP	10	25	WP0430801SC	8	50
SM1850600SP	12	25	WP0450801SC	2	11
SM4030655SP	4	41	WP0531000SD	8	56
SM4040655SP	2	47	WP0550800SP	2	23
SM4040655SP	4	47	WP0820516SP	2	35
SM4040655SP	6	61	WS0510002KP	8	54
SM4040655SP	8	61			
SM4040855SP	6	52			
SM4040855SP	8	52			
SM4041055SP	4	63			
SM4041055SP	6	58			
SM4041055SP	8	58			
SM4041255SP	8	51			
SM4042055SP	6	11			
SM6030500SN	2	21			
SM6030600SP	2	13			
SM6040450TP	6	47			
SM6040450TP	8	47			
SM6040750TP	6	22			
SM6040800SP	2	10			
SM6040800SP	6	25			
SM6040800SP	10	26			
SM6040800SP	12	26			
SM6050800SP	8	57			
SM6051000SP	2	40			
SM6051000SP	4	40			