

MODEL : MF-7500-C11

List No : 1611-01

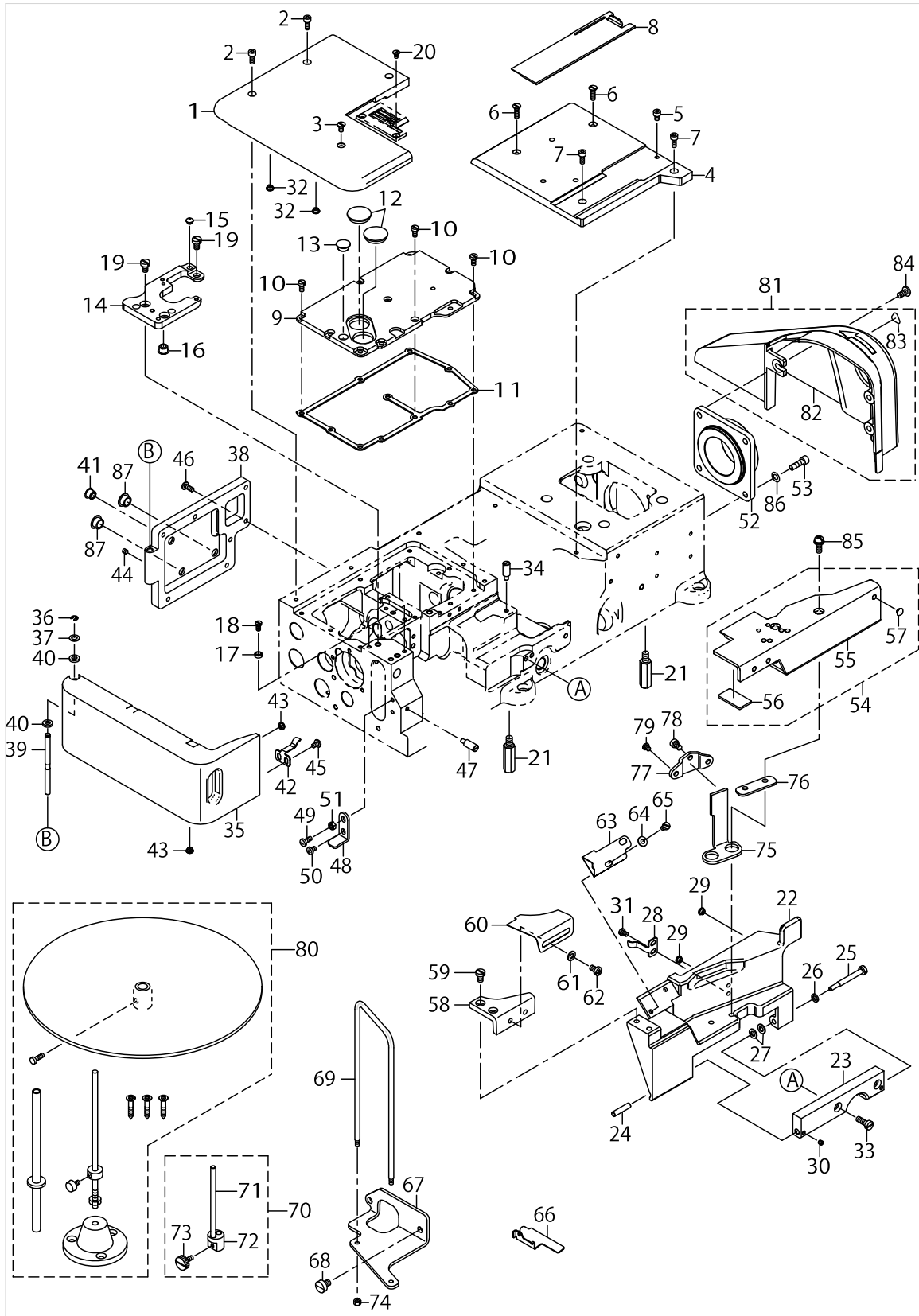
PARTS LIST

Published:05/12/2017

CONTENTS

COVER COMPONENTS.....	1
GAUGE COMPONENTS.....	5
HOW TO MAKE USE OF THIS PARTS LIST	7

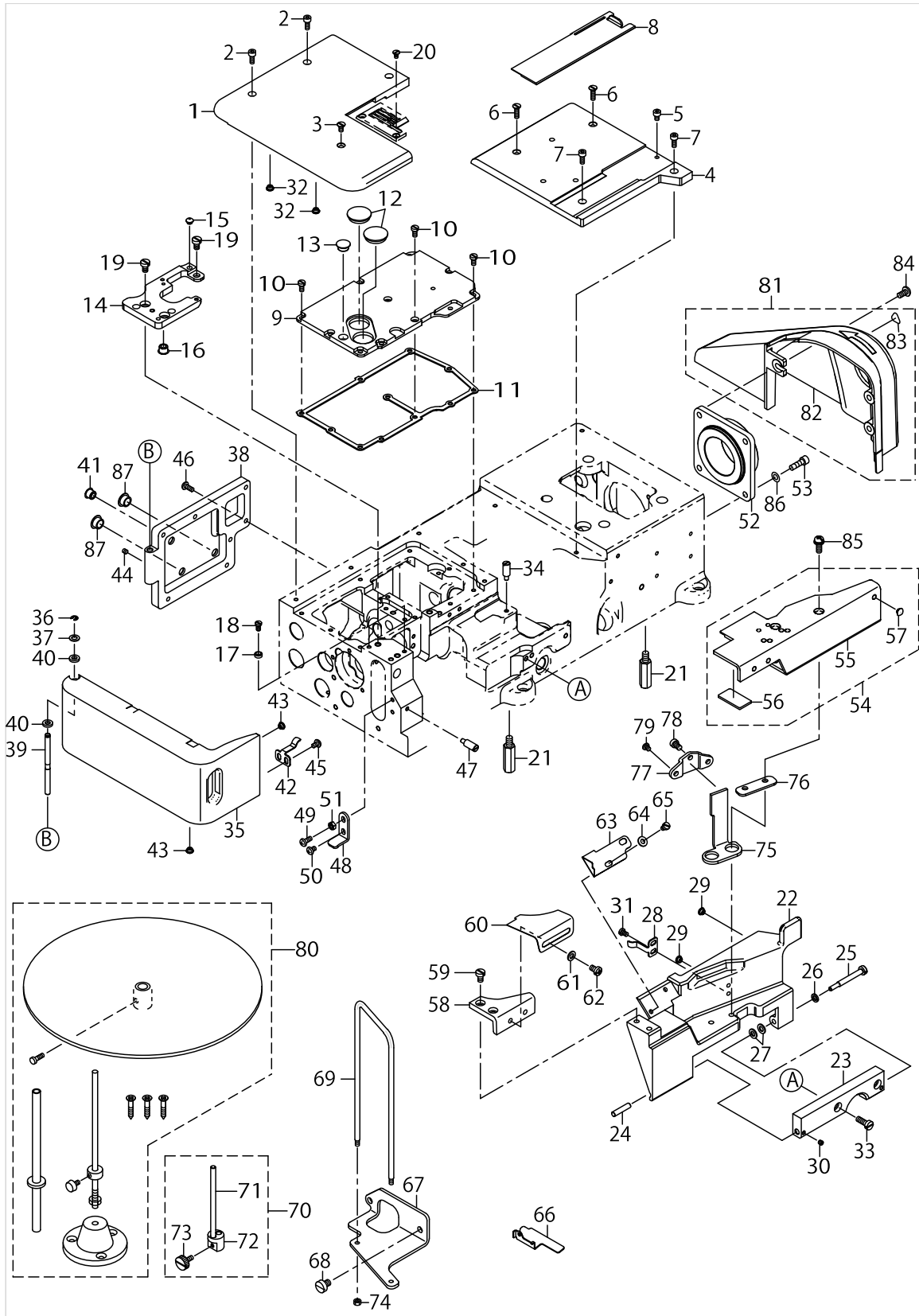
COVER COMPONENTS



COVER COMPONENTS

No.	Supply Code	Parts No.	Replacement	Parts name	Remarks	Choice	Step	Level	Cons	Qty	Rep. QTY
1		13303607		CLOTH PLATE LEFT						1	
2		SM6041002TP		SCREW M4X0.7 L=10						3	
3		SM1040800SP		SCREW						1	
4		13303706		CLOTH PLATE RIGHT						1	
5		SM6040602TP		SCREW M4X0.7 L=6						1	
6		SM1041400SP		SCREW						2	
7		SM6041002TP		SCREW M4X0.7 L=10						2	
8		13303805		SLIDE COVER						1	
9		70001415		BED_TOP_COVER						1	
10		SM6040800SP		SCREW						11	
11		70001423		GASKET_B						1	
12		TA2050416R0		RUBBER PLUG						2	
13		TA1050504R0		RUBBER PLUG						1	
14		70001945		THROAT_PLATE_SUPPORT_C11						1	
15		13302302		RUBBER BUMPER						1	
16		TA0850604R0		RUBBER PLUG						1	
17		40082196		ADJUSTING_COLLAR						2	
18		SM6040750TP		SCREW M4 L=7						2	
19		SM6050800SP		SCREW M5 L=8						3	
20		13302203		SCREW						2	
21		13301809		SUPPORT STUD						4	
22		13303300		SWING DOWN COVER						1	
23		70001898		HINGE						1	
24		13409800		DIFF_LINK_PIN						1	
25		70001414		SCREW						1	
26		WS0510002KP		SPRING WASHER 5.1X9.2X1.3						1	
27		WP0531000SC		WASHER 5.3X10X1						2	
28		13304308		LATCH SPRING						1	
29		13302302		RUBBER BUMPER						2	
30		SM8040412TP		SET SCREW M4 L=4						2	
31		SM4040655SP		SCREW M4 L=6						2	
32		13302302		RUBBER BUMPER						1	
33		SM6051400SP		SCREW						2	
34		13302104		PIN						1	
35		13304100		SIDE COVER						1	
36		RE0300000K0		E-RING 3						1	
37		WP0550800SP		WASHER 5.5X10X0.8						1	
38		70001659		FEED_CHAMBER_COVER						1	
39		13305107		PIN_FOR_SIDE_COVER						1	
40		13302708		RUBBER_WASHER						2	
41		TA0850604R0		RUBBER PLUG						1	
42		13304308		LATCH SPRING						1	
43		13302302		RUBBER BUMPER						2	
44		SM8040412TP		SET SCREW M4 L=4						1	
45		SM4040655SP		SCREW M4 L=6						2	
46		SM4041055SP		SCREW						7	

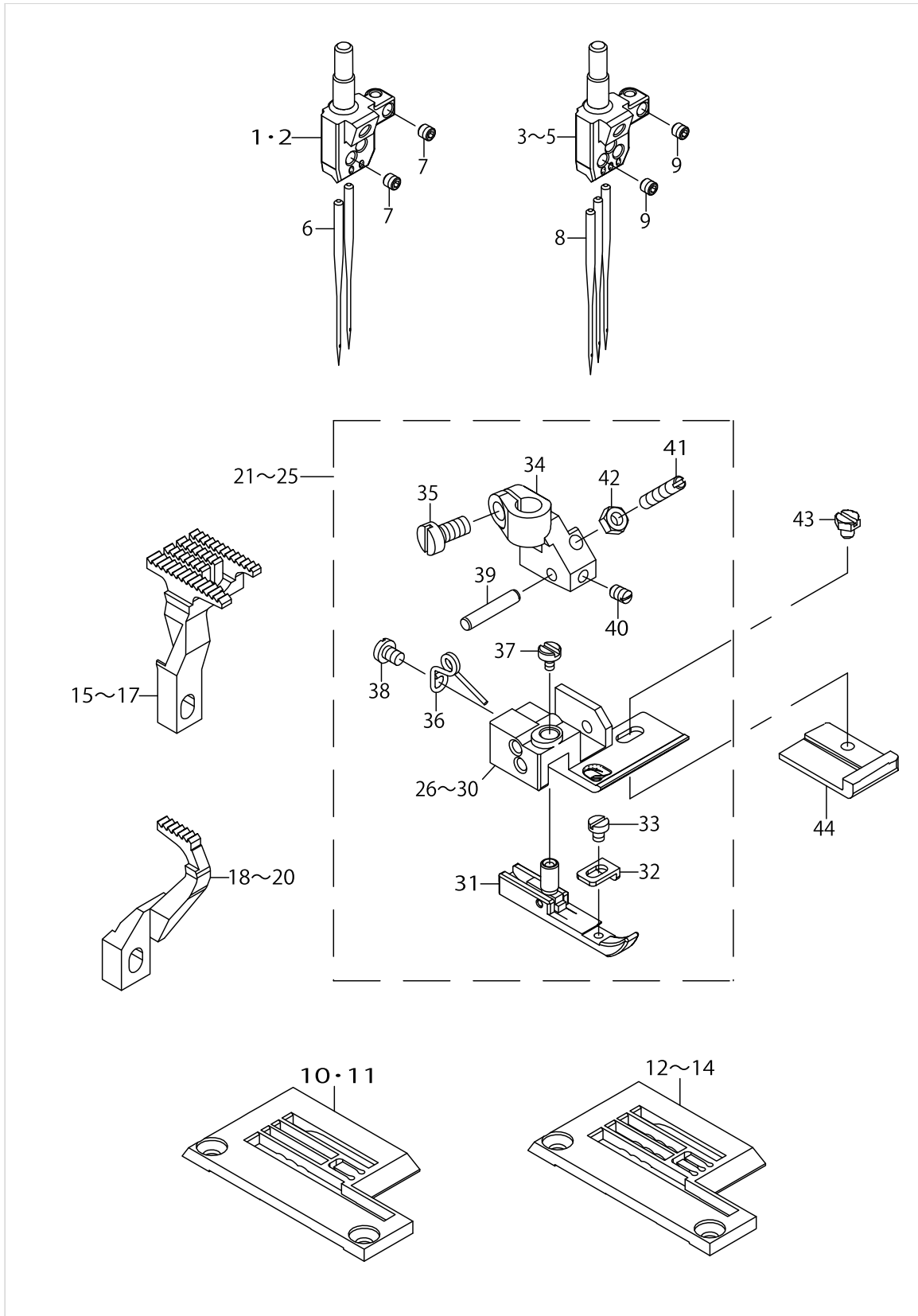
COVER COMPONENTS



COVER COMPONENTS

No.	Supply Code	Parts No.	Replacement	Parts name	Remarks	Choice	Step	Level	Cons	Qty	Rep. QTY
47		13302104		PIN						1	
48		13304209		SUPPORT BRACKET						1	
49		SM4041055SP		SCREW						1	
50		SM4040655SP		SCREW M4 L=6						1	
51		NM6040000SN		NUT M4						1	
52		70001436		HOUSING						1	
53		SM6051602TP		SCREW M5X0.8 L=16						4	
54		13303458		ASSY_BRACKET	ACCESSO- RY PARTS					1	
55	R	13303409	13303458	BRACKET				*		1	1.00
56		13305305		RUBBER_BOARD				*		1	
57		13302302		RUBBER BUMPER				*		1	
58		13366000		BRACKET						1	
59		SM6050800SP		SCREW M5 L=8						2	
60		13366208		BINDER_PLATE						1	
61		WP0531001SC		WASHER M5						2	
62		SM4050855SP		SCREW						2	
63		40066085		FABRIC_GUIDE						1	
64		WP0450826SC		WASHER 4.5X10X0.8						2	
65		SM6040610SC		SCREW M4X0.7 L=6						2	
66		40019893		TC_TAPE_GUIDE						1	
67		13365002		BASE						1	
68		SM6060800SP		SCREW M6 L=8						2	
69		13365101		GUIDE						1	
70		13365259		GUIDE_PIN_ASSY						2	
71	R	13365200	13365259	GUIDE_PIN				*		1	1.00
72	R	13365309	13365259	PIN_BASE				*		1	1.00
73	R	13365507	13365259	SCREW				*		1	1.00
74		NM6040000SN		NUT M4						2	
75		13304407		TAPE_BINDER_BRACKET						1	
76		13366307		PLATE						1	
77		13365408		FOLDER_CLAMP						1	
78		SM6050800SP		SCREW M5 L=8						1	
79		SS7110510SP		SCREW 11/64-40 L=5						2	
80		40062154		TAPE_REEL_ASSEMBLY						1	
81		70001831		DRIVING_BELT_COVER_ASSY						1	
82		70001830		DRIVING_BELT_COVER				*		1	
83		CM300200001		FINGER INJURY CA- UTION LABEL (16)				*		1	
84		SM4051055SP		SCREW						3	
85		SL4051485SC		SCREW						2	
86		WP0531000SD		WASHER M5						4	
87		TA1050504R0		RUBBER PLUG						2	

GAUGE COMPONENTS



GAUGE COMPONENTS

No.	Supply Code	Parts No.	Replacement	Parts name	Remarks	Choice	Step	Level	Cons	Qty	Rep. QTY
1		13350004		NEEDLE HEAD 32	FOR B32					1	
2		13350103		NEEDLE HEAD 40	FOR B40					1	
3		13350202		NEEDLE HEAD 48	FOR B48					1	
4		13350301		NEEDLE HEAD 56	FOR B56					1	
5		13350400		NEEDLE HEAD 64	FOR B64					1	
6		MUY128S1000		NEEDLE	FOR B32,B40					2	
7		SM8030312TP		SCREW M3 L=3	FOR B32,B40					3	
8		MUY128S1000		NEEDLE	FOR B48,B56,B64					3	
9		SM8030312TP		SCREW M3 L=3	FOR B48,B56,B64					4	
10		40058549		THROAT PLATE	FOR B32					1	
11		13351408		THROAT PLATE	FOR B40					1	
12		40057971		THROAT PLATE	FOR B48					1	
13		13351606		THROAT PLATE	FOR B56					1	
14		13351705		THROAT PLATE	FOR B64					1	
15		40058555		MAIN FEED DOG	FOR B32					1	
16		13353800		MAIN FEED DOG	FOR B40,B48					1	
17		13353909		MAIN FEED DOG	FOR B56,B64					1	
18		40058556		DIFF FEED DOG	FOR B32					1	
19		13357702		DIFF FEED DOG	FOR B40,B48					1	
20		13357801		DIFF FEED DOG	FOR B56,B64					1	
21		40058579		PRESSER FOOT ASSEMBLY	FOR B32					1	
22		40056504		PRESSER FOOT ASSEMBLY	FOR B40					1	
23		40057973		PRESSER FOOT ASSEMBLY	FOR B48					1	
24		40056410		PRESSER FOOT ASSEMBLY	FOR B56					1	
25		40056411		PRESSER FOOT ASSEMBLY	FOR B64					1	
26		40058578		PRESSER FOOT BOTTOM 32	FOR B32			*		1	
27		40056505		PRESSER FOOT BOTTOM 40	FOR B40			*		1	
28		40057972		PRESSER FOOT BOTTOM 48	FOR B48			*		1	
29		40056405		PRESSER FOOT BOTTOM 56	FOR B56			*		1	
30		40056406		PRESSER FOOT BOTTOM 64	FOR B64			*		1	
31		40056412		YIELDING SECTION ASSEMBLY				*		1	
32		40056404		PRESSER FOOT GUIDE				*		1	
33		SM6850300SP		SCREW M2.5 L=3				*		1	
34		13376504		PRESSER FOOT SHANK				*		1	
35		SM6040800SP		SCREW				*		1	
36		13376603		YIELDING SECTION SPRING				*		1	
37	R	13376702	13376157	THREAD SPRING SCREW				*		1	1.00
38		SM4030455SP		SCREW				*		1	
39		PH0300162C0		PARALLEL PIN 3X16				*		1	
40		SM8030500SP		SCREW				*		1	
41		13376801		SCREW FOR PRESSER FOOT				*		1	
42		NM6030001SD		NUT M3X0.5				*		1	
43		13378005		SCREW	OPTIONAL PARTS					1	
44		40056407		TAPE GUIDE	OPTIONAL PARTS					1	

HOW TO MAKE USE OF THIS PARTS LIST

1.As to "#01" and "#02" refer to the "Note" given at the bottom of the respective pages.

2.Codes on the "Qty" column

- Each numeral indicates the number of parts required.
- "0.1" and "2.5" indicate the length (in meters) of the respective parts.

3.Parentheses mean that the corresponding part is a subpart that constructs an assembly part.

4.Dotted lines on the Figures indicate assembly parts.

1. リストページの# 0 1、# 0 2の印は、ページ下の"注記"の説明を参照下さい。
2. 数量欄の数字は、個数を表し、0. 1、2. 5等の数値は、長さ（単位メートル）を表します。
3. 数量欄の（ ）は、組部品を構成している子部品であることを意味します。
4. イラストページの-----枠は、組構成であることを意味します。

ALL PARTS NOT MENTIONED IN THIS PARTS LIST ARE SAME AS THOSE OF
MODEL MF-7500. OTHER PARTS LIST RELATED TO THIS MODEL.
*MF-7500 (NO.1596 PART NO.70002001)

このパーツリスト記載以外の部品はMF-7500と共通です。
この機種に関連するパーツリストとして下記のパーツリストがあります。
*MF-7500 (NO.1596 品番70002001)

NUMERICAL INDEX OF PARTS

PART NO	PAGE	REF NO.	PART NO	PAGE	REF NO.	PART NO	PAGE	REF NO.
13301809	2	21	13378005	6	43	SM4041055SP	4	49
13302104	2	47	13409800	2	24	SM4050855SP	4	62
13302104	4	47	40019893	4	66	SM4051055SP	4	84
13302203	2	20	40056404	6	32	SM6040602TP	2	5
13302302	2	57	40056405	6	26~30	SM6040610SC	4	65
13302302	4	57	40056406	6	26~30	SM6040750TP	2	18
13302708	2	40	40056407	6	44	SM6040800SP	2	10
13303300	2	22	40056410	6	21~25	SM6040800SP	6	35
13303409	4	55	40056411	6	21~25	SM6041002TP	2	7
13303458	4	54	40056412	6	31	SM6050800SP	2	78
13303607	2	1	40056504	6	21~25	SM6050800SP	4	78
13303706	2	4	40056505	6	26~30	SM6051400SP	2	33
13303805	2	8	40057971	6	12~14	SM6051602TP	4	53
13304100	2	35	40057972	6	26~30	SM6060800SP	4	68
13304209	4	48	40057973	6	21~25	SM6850300SP	6	33
13304308	2	42	40058549	6	10·11	SM8030312TP	6	9
13304407	4	75	40058555	6	15~17	SM8030500SP	6	40
13305107	2	39	40058556	6	18~20	SM8040412TP	2	44
13305305	4	56	40058578	6	26~30	SS7110510SP	4	79
13350004	6	1·2	40058579	6	21~25	TA0850604R0	2	41
13350103	6	1·2	40062154	4	80	TA1050504R0	2	87
13350202	6	3~5	40066085	4	63	TA1050504R0	4	87
13350301	6	3~5	40082196	2	17	TA2050416R0	2	12
13350400	6	3~5	70001414	2	25	WP0450826SC	4	64
13351408	6	10·11	70001415	2	9	WP0531000SC	2	27
13351606	6	12~14	70001423	2	11	WP0531000SD	4	86
13351705	6	12~14	70001436	4	52	WP0531001SC	4	61
13353800	6	15~17	70001659	2	38	WP0550800SP	2	37
13353909	6	15~17	70001830	4	82	WS0510002KP	2	26
13357702	6	18~20	70001831	4	81			
13357801	6	18~20	70001898	2	23			
13365002	4	67	70001945	2	14			
13365101	4	69	CM300200001	4	83			
13365200	4	71	MUY128S1000	6	8			
13365259	4	70	NM6030001SD	6	42			
13365309	4	72	NM6040000SN	4	74			
13365408	4	77	PH0300162C0	6	39			
13365507	4	73	RE0300000K0	2	36			
13366000	4	58	SL4051485SC	4	85			
13366208	4	60	SM1040800SP	2	3			
13366307	4	76	SM1041400SP	2	6			
13376504	6	34	SM4030455SP	6	38			
13376603	6	36	SM4040655SP	2	50			
13376702	6	37	SM4040655SP	4	50			
13376801	6	41	SM4041055SP	2	49			