

MODEL : IT-20
List No : 1579-02

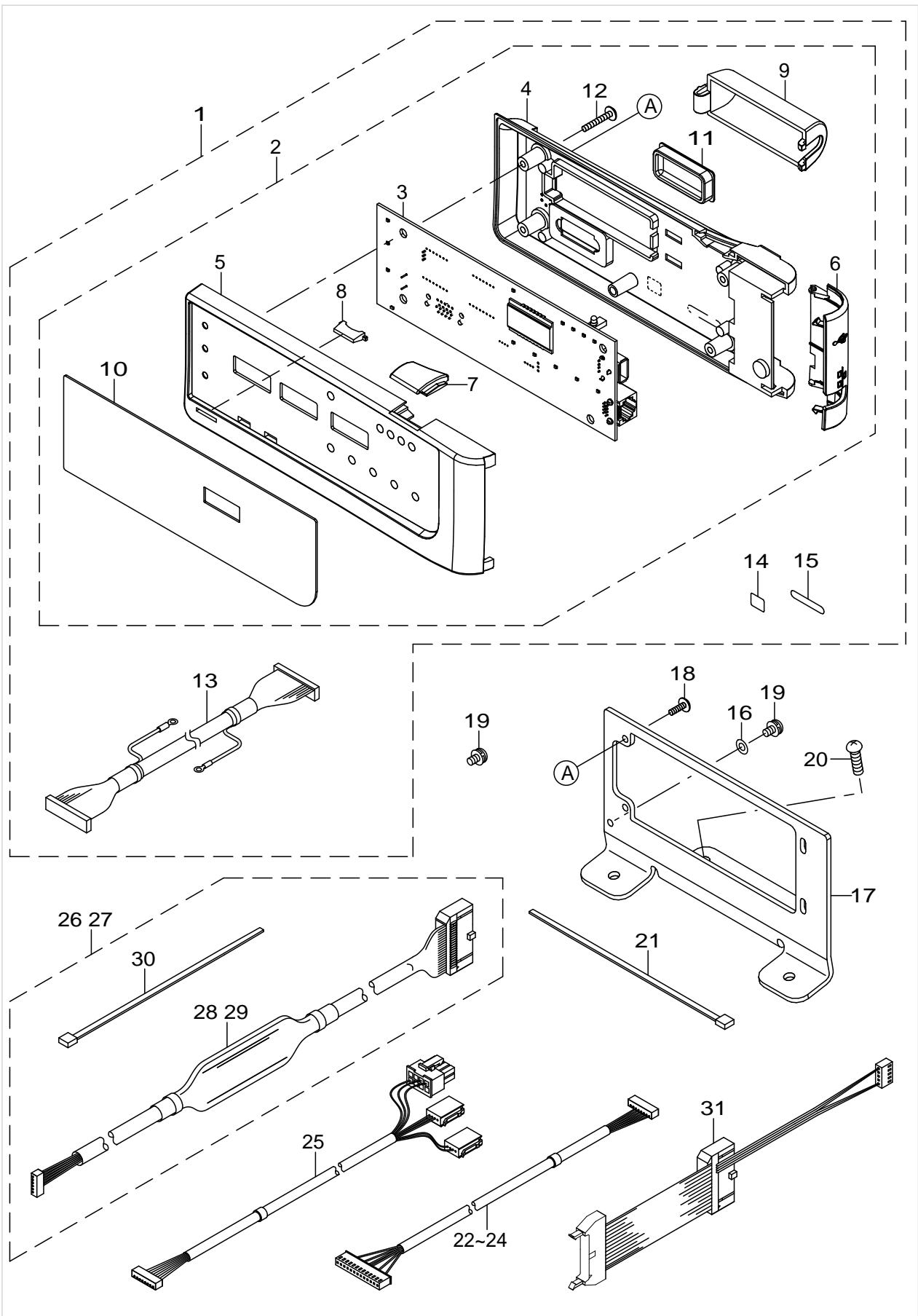
PARTS LIST

Published:05/12/2017

CONTENTS

TYPE A.....	1
HOW TO MAKE USE OF THIS PARTS LIST	3

TYPE A



TYPE A

No.	Supply Code	Parts No.	Replacement	Parts name	Remarks	Choice	Step	Level	Cons	Qty	Rep. QTY
1		40105548		TERMINAL_A_ASSY						1	
2		40105549		TERMINAL_ASSY				*		1	
3		40105533		TERMINAL_PCB_ASSY				*		1	
4		40105836		BACK_PANEL				*		1	
5		40105184		FRONT_PANEL				*		1	
6		40105185		CONNECTOR_COVER				*		1	
7		40105186		POWER_INDICATOR				*		1	
8		40105187		ONLINE_INDICATOR				*		1	
9		40105837		CORD_EXIT_COVER				*		1	
10		40106352		MEMBRANE_SWITCH				*		1	
11		40005848		D-SUB 9P COVER				*		1	
12		SV4032001SN		SCREW				*		4	
13		40105540		TERMINAL_CABLE_ASSY				*		1	
14		CM500100003		CE_LABEL				*		1	
15		40044616		TYPE_LABEL_A				*		1	
16		WT0430002KN		WASHER_M4	ACCESSO- RIE PARTS					1	
17		40105994		PANEL_BRACKET_B	ACCESSO- RIE PARTS					1	
18		SV4031001SN		SCREW	ACCESSO- RIE PARTS					4	
19		SL4040891SC		SCREW_M4_L=8	ACCESSO- RIE PARTS					2	
20		40093427		WOOD_SCREW_D=5.1_L=18	ACCESSO- RIE PARTS					2	
21		EA9500B0200		CABLE_BAND_150	ACCESSO- RIE PARTS					1	
22		40105536		SC_CABLE_A_ASSY	OPTIONAL PARTS					1	
23		40105537		SC_CABLE_B_ASSY	OPTIONAL PARTS					1	
24		40105539		SC_CABLE_D_ASSY	OPTIONAL PARTS					1	
25		40105538		SC_CABLE_C_ASSY	OPTIONAL PARTS					1	
26		40105566		MC_CABLE_E_SET	OPTIONAL PARTS					1	
27		40105567		MC_CABLE_F_SET	OPTIONAL PARTS					1	
28		40105569		MC_PCB_E_ASSY				*		1	
29		40105570		MC_PCB_F_ASSY				*		1	
30		EA9500B0200		CABLE_BAND_150				*		2	
31		40105568		MC_CABLE_G_ASSY	OPTIONAL PARTS					1	

HOW TO MAKE USE OF THIS PARTS LIST

1.As to "#01" and "#02" refer to the "Note" given at the bottom of the respective pages.

2.Codes on the "Qty" column

- Each numeral indicates the number of parts required.
- "0.1" and "2.5" indicate the length (in meters) of the respective parts.

3.Parentheses mean that the corresponding part is a subpart that constructs an assembly part.

4.Dotted lines on the Figures indicate assembly parts.

1. リストページの# 0 1、# 0 2の印は、ページ下の"注記"の説明を参照下さい。
2. 数量欄の数字は、個数を表し、0. 1、2. 5等の数値は、長さ（単位メートル）を表します。
3. 数量欄の（ ）は、組部品を構成している子部品であることを意味します。
4. イラストページの-----枠は、組構成であることを意味します。

NUMERICAL INDEX OF PARTS

PART NO	PAGE	REF NO.
40005848	2	11
40044616	2	15
40093427	2	20
40105184	2	5
40105185	2	6
40105186	2	7
40105187	2	8
40105533	2	3
40105536	2	22~24
40105537	2	22~24
40105538	2	25
40105539	2	22~24
40105540	2	13
40105548	2	1
40105549	2	2
40105566	2	26·27
40105567	2	26·27
40105568	2	31
40105569	2	28·29
40105570	2	28·29
40105836	2	4
40105837	2	9
40105994	2	17
40106352	2	10
CM500100003	2	14
EA9500B0200	2	30
SL4040891SC	2	19
SV4031001SN	2	18
SV4032001SN	2	12
WT0430002KN	2	16