

MODEL : DLN-9010A

List No : 1561-01

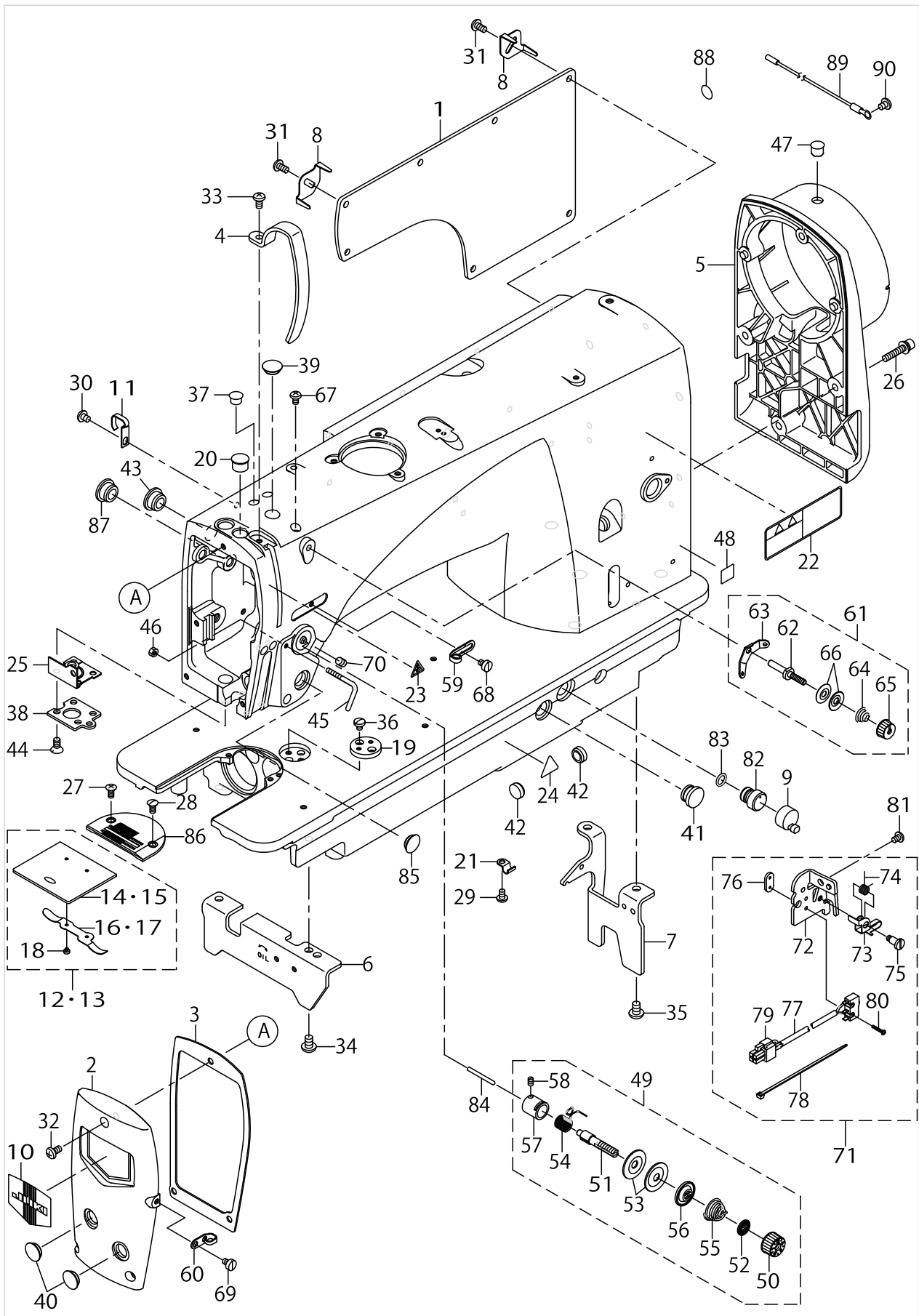
PARTS LIST

Published:05/12/2017

CONTENTS

MACHINE FRAME & MISCELLANEOUS COVER COMPONENTS	1
BOBBIN WINDER COMPONENTS.....	7
MAIN SHAFT & NEEDLE BAR COMPONENTS.....	9
HAND LIFTER & TENSION RELEASE COMPONENTS.....	11
FEED ADJUST MECHANISM COMPONENTS	15
HORIZONTAL FEED & VERTICAL FEED AND HOOK DRIVING SHAFT COMPONENTS.....	19
THREAD TRIMMER COMPONENTS	25
NEEDLE BAR FRAME COMPONENTS.....	29
OIL LUBRICATION COMPONENTS	31
AUTOMATIC REVERSE FEED COMPONENTS.....	35
WIPER COMPONENTS.....	37
THREAD STAND COMPONENTS.....	39
UNDER COVER COMPONENTS	41
ACCESSORIE PARTS COMPONENTS	43
EXCLUSIVE PARTS FOR DLN-9010ASH-WB, -0B.....	45
EXCLUSIVE PARTS FOR DLN-9010ASB-WB, -0B.....	49
TABLE & STAND COMPONENTS.....	51
LIST FOR INFORMATION OF CHANGE.....	53
HOW TO MAKE USE OF THIS PARTS LIST	54

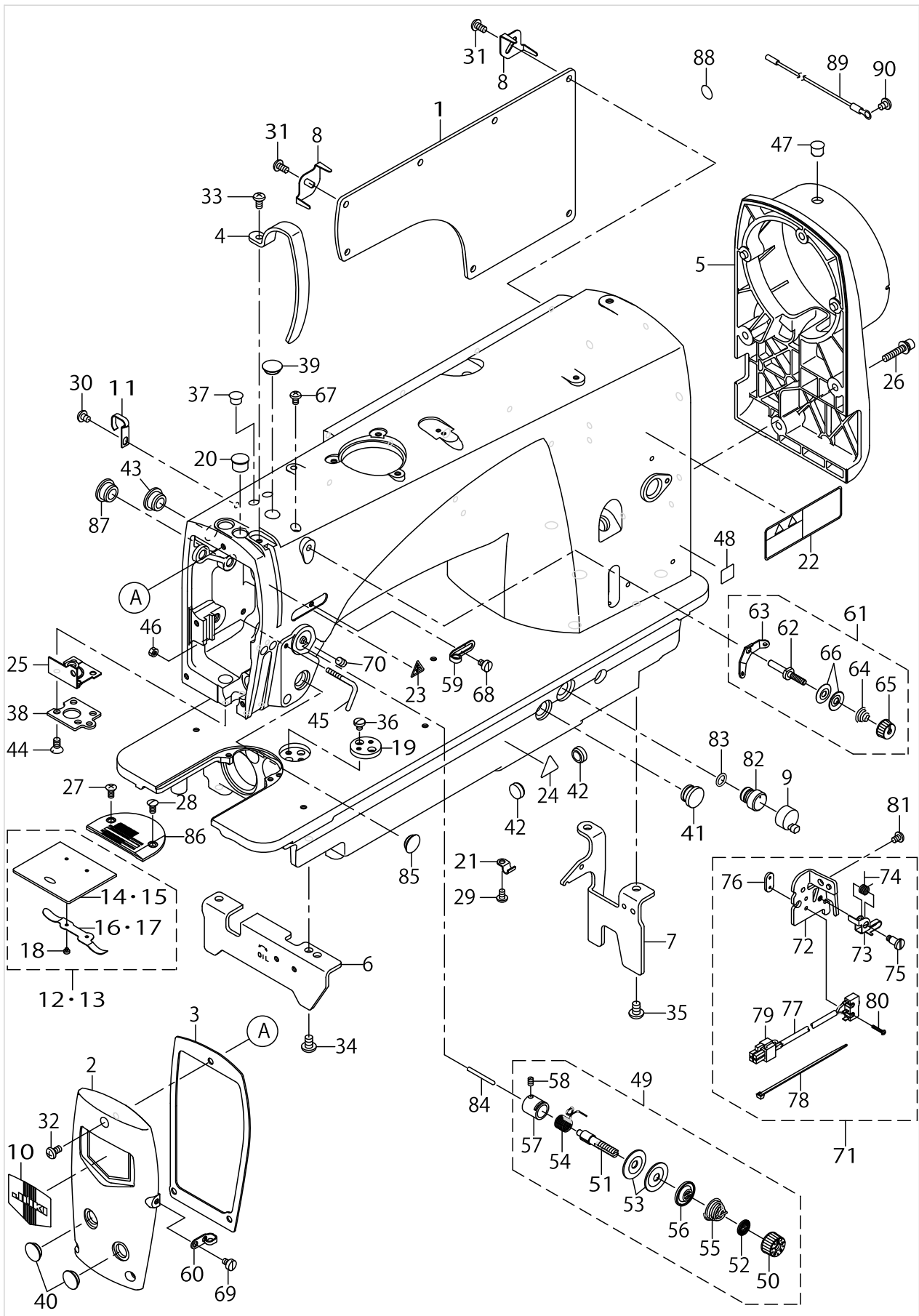
MACHINE FRAME & MISCELLANEOUS COVER COMPONENTS



MACHINE FRAME & MISCELLANEOUS COVER COMPONENTS

No.	Supply Code	Parts No.	Replacement	Parts name	Remarks	Choice	Step	Level	Cons	Qty	Rep. QTY
1		23600208		SIDE PLATE						1	
2		40000209		FACE PLATE						1	
3		40000210		FACE PLATE PACKING						1	
4		23600505		THREAD TAKE-UP LEVER COVER						1	
5		23600604		PULLEY COVER						1	
6		23600703		BED STUD A						1	
7		23600802		BED STUD B						1	
8		22954705		CORD FIXING METAL FITTING						2	
9		23601305		AIR-DISCHARGING CAP						1	
10		22902506		FACE PLATE						1	
11		40022407		CORD HOLDER						1	
12		22901250		SLIDE PLATE ASM.	FOR JE,JA					1	
13		22902753		SLIDE PLATE ASM.	FOR GENERAL EXPORT					1	
14	R	22901201	22901250	SLIDE PLATE	FOR JE,JA			*		1	1.00
15		22902704		SLIDE PLATE	FOR GENERAL EXPORT			*		1	
16		22901300		SLIDE PLATE SPRING	FOR JE,JA			*		1	
17		22901300		SLIDE PLATE SPRING	FOR GENERAL EXPORT			*		1	
18		SS6060210SP		SCREW 3/32-56 L=1.9				*		2	
19		22902605		RULER STOP SEAT						1	
20		TA1250804R0		RUBBER PLUG						1	
21		B3538112000		OIL RETURN TUBE HOLDER						1	
22		CM301300001		SAFETY LABEL						1	
23		CM300200001		ATTENTION SEAL						1	
24		CM300200003		ATTENTION LABEL						1	
25		40000212		PRESSING PLATE PACKING						1	
26		SL6052592TN		BOLT						4	
27		SS2110915SP		SCREW 11/64-40 L=8.5				☆		1	
28		SS2110920TP		SCREW 11/64-40 L=8.5				☆		1	
29		SS4110715SP		SCREW 11/64-40 L=7						1	
30		SS4120615SP		SCREW 3/16-28 L=6	FOR DLN-- 9010SS,ASH (-0B)					1	
31		SS4120915SP		SCREW 3/16-28 L=9						7	
32		SS4120915SP		SCREW 3/16-28 L=9						3	
33		SS4120915SP		SCREW 3/16-28 L=9						1	
34		SS4150915SP		SCREW 15/64-28 L=9						2	
35		SS4150915SP		SCREW 15/64-28 L=9						2	
36		SS7110540SP		SCREW 11/64-40 L=5						2	
37		TA0850604R0		RUBBER PLUG						1	
38		11300407		PRESSER BAR SUPPORT						1	
39		TA1250406R0		RUBBER PLUG D=12.5 L=4						1	
40		TA1250406R0		RUBBER PLUG D=12.5 L=4						2	
41		TA1250705R0		RUBBER PLUG						1	
42		TA1270502R0		RUBBER PLUG						2	
43		TA1470704R0		RUBBER PLUG						1	
44		SS1120710SP		SCREW 3/16-28 L=6.7						4	
45		22972608		ARM THREAD GUIDE C						1	

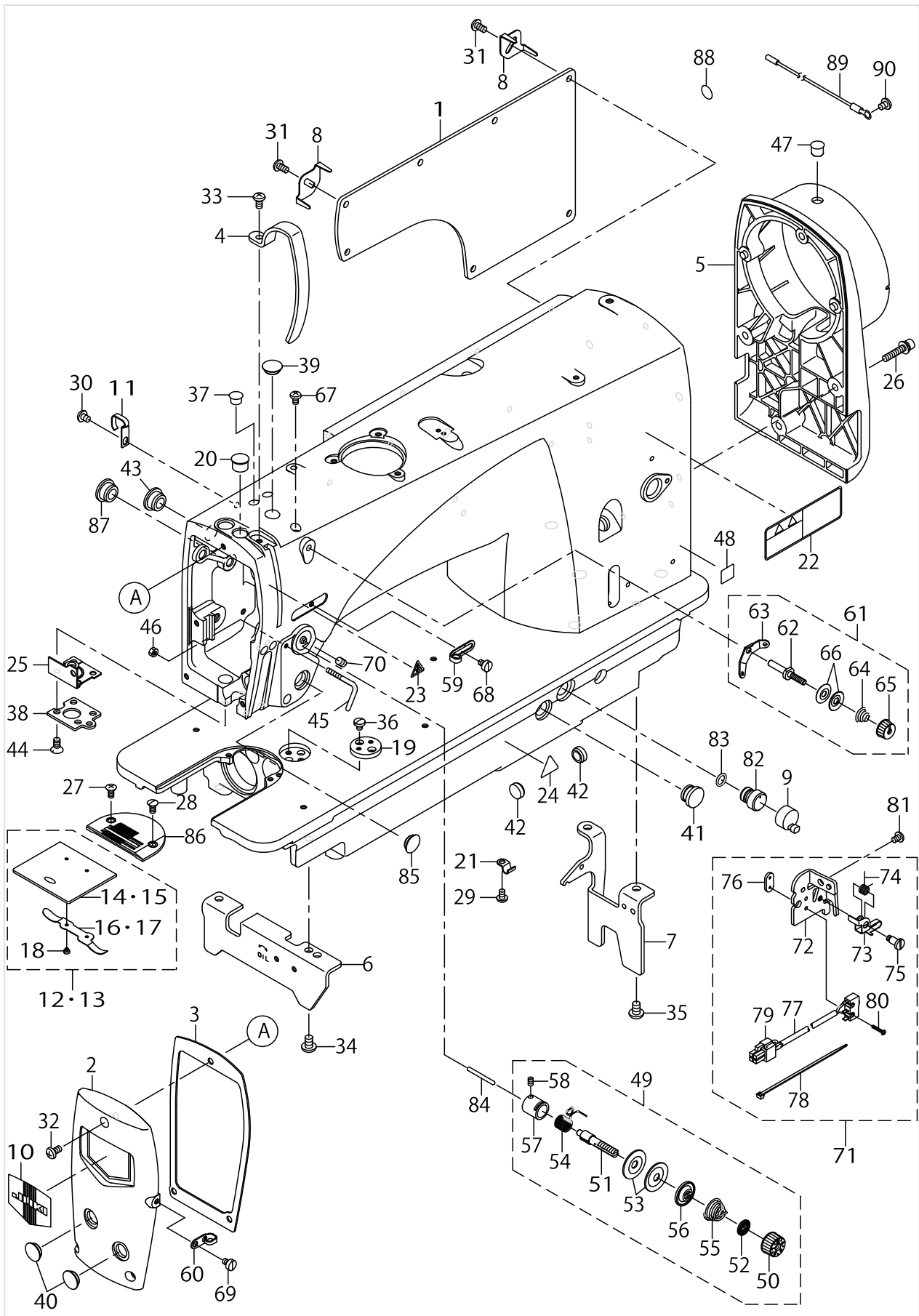
MACHINE FRAME & MISCELLANEOUS COVER COMPONENTS



MACHINE FRAME & MISCELLANEOUS COVER COMPONENTS

No.	Supply Code	Parts No.	Replacement	Parts name	Remarks	Choice	Step	Level	Cons	Qty	Rep. QTY
46		NS6090310SP		NUT 9/64-40						1	
47		TA0950806R0		RUBBER PLUG						1	
48		CM600100101		WEEE MARK LABEL S	FOR JE					1	
49		23626054		THREAD TENSION ASM.						1	
50		23626005		THREAD TENSION NUT				*		1	
51		22921209		THREAD TENSION POST				*		1	
52		22921407		ROTATION STOPPER				*		1	
53		22921506		THREAD TENSION DISK				*		2	
54		22921605		THREAD TAKE-UP SPRING				*	☆	1	
55		22921704		THREAD TENSION SPRING, A				*		1	
56		22921803		DISK STOPPER				*		1	
57		22945307		THREAD TENSION POST BASE				*		1	
58		SS8090670SP		SCREW 9/64-40 L=5.5				*		1	
59		23626104		ARM THREAD GUIDE A						1	
60		22920607		ARM THREAD GUIDE B						1	
61		22945463		THREAD TENSION ASM. NO.1						1	
62		22945414		THREAD TENSION POST				*		1	
63	R	22945604	22963458	THREAD TENSION GUIDE		A	DDL8700H-7/8700J--7/9000B, DLN6390-7	*		1	1.00
63	R	22945604	22945463	THREAD TENSION GUIDE		B	DDL8700-7 and so on	*		1	1.00
64		22945505		THREAD TENSION SPRING				*		1	
65		22945703		THREAD TENSION NUT				*		1	
66		22945802		THREAD TENSION DISK				*		2	
67		SS4110715SP		SCREW 11/64-40 L=7						1	
68		SS6110610TP		SCREW 11/64-40 L=6						1	
69		SS6110610TP		SCREW 11/64-40 L=6						1	
70		SS8150710TP		SCREW 15/64-28 L=7						1	
71		40098777		SAFETY SWITCH ASM.						1	
72	R	23638000	23638059	SAFETY SWITCH BASE				*		1	1.00
73		23638109		SAFETY SWITCH ARM				*		1	
74	R	23638208	23638059	SAFETY SWITCH SPRING				*		1	1.00
75		23638307		SAFETY SWITCH ARM SHAFT				*		1	
76	R	23638406	23638059	SAFETY SWITCH NUT				*		1	1.00
77		40098386		SAFETY_SWITCH_CORD_ASM.				*		1	
78		EA9500B0100		CABLE BAND				*		1	
79		HK034610040		HOUSING				*		1	
80		SM4021201SC		SCREW M2 L=12				*		2	
81		SS4110615SP		SCREW 11/64-40 L=6						1	
82		23629900		AIR-DISCHARGING						1	
83		RO080150200		RUBBER RING						1	
84		B3118552I00		TENSION RELEASING PIN I					☆	1	
85		TA1250406R0		RUBBER PLUG D=12.5 L=4						1	
86		11300308		THROAT PLATE						1	
87		TA1470704R0		RUBBER PLUG						1	
88		22901805		GROUND MARK	FOR JE,JA					1	

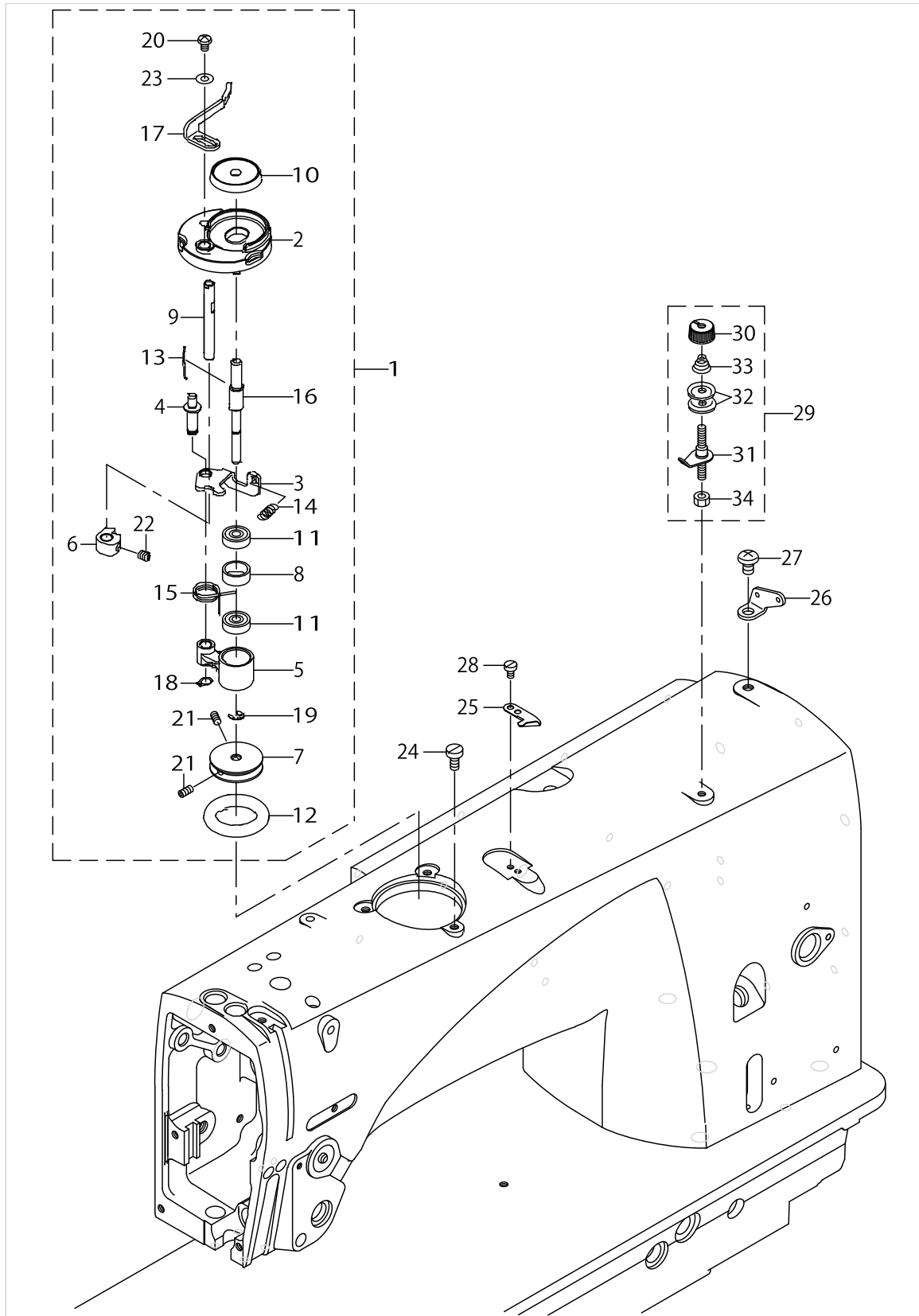
MACHINE FRAME & MISCELLANEOUS COVER COMPONENTS



MACHINE FRAME & MISCELLANEOUS COVER COMPONENTS

No.	Supply Code	Parts No.	Replacement	Parts name	Remarks	Choice	Step	Level	Cons	Qty	Rep. QTY
89		23601057		EARTH CORD ASM.	FOR JE,JA					1	
90		SS4120615SP		SCREW 3/16-28 L=6	FOR JE,JA					1	

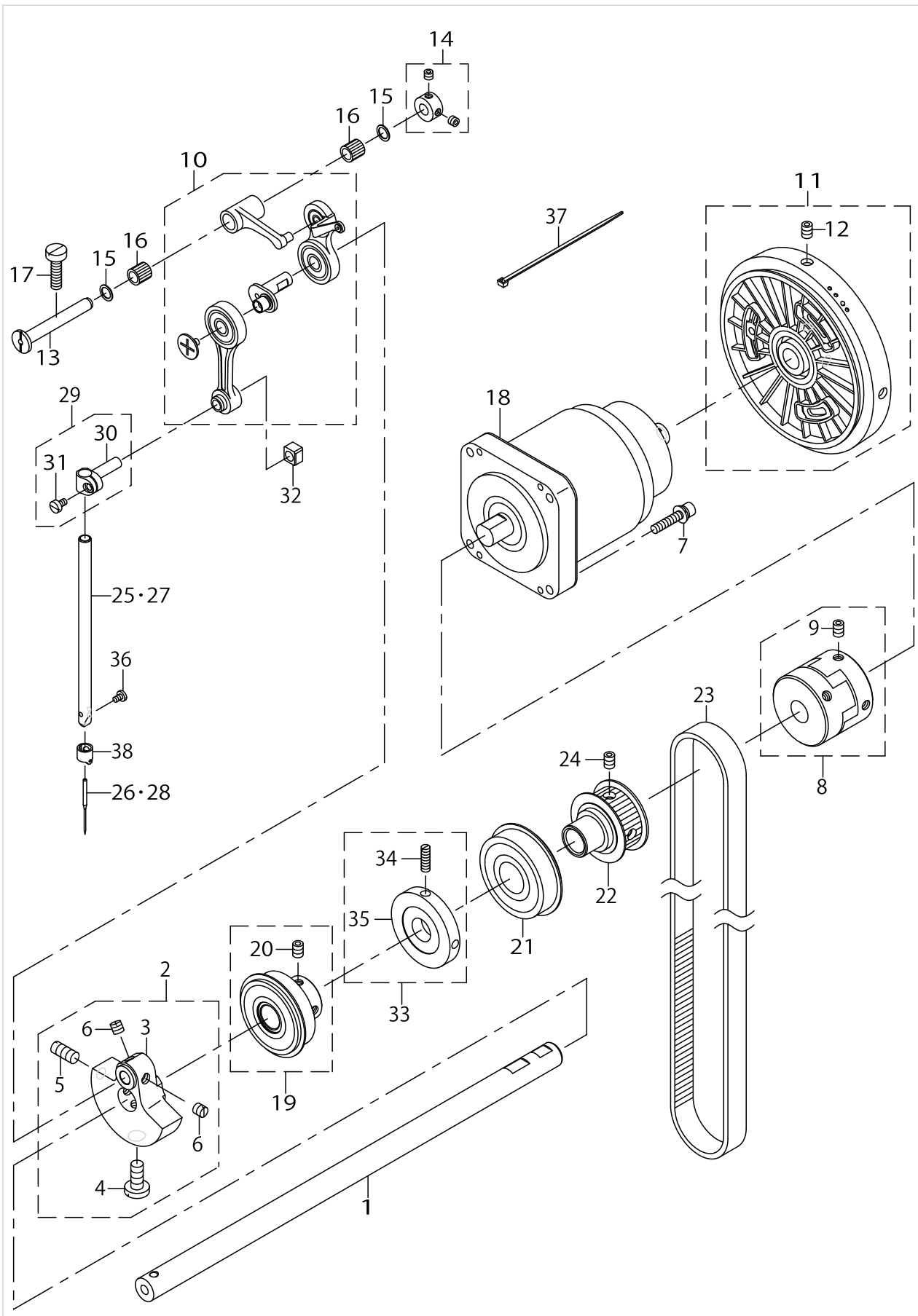
BOBBIN WINDER COMPONENTS



BOBBIN WINDER COMPONENTS

No.	Supply Code	Parts No.	Replacement	Parts name	Remarks	Choice	Step	Level	Cons	Qty	Rep. QTY
1		40023021		BOBBINWINDERUNIT						1	
2	R	26260109	26260000	BTW_BASE				*		1	1.00
3		26260208		BTW_CAM_PLATE				*		1	
4		26260307		BTW_BASE_SHAFT				*		1	
5		26260406		BTW_SHAFT_BASE				*		1	
6		26260505		BTW_CAM_LEVER				*		1	
7		26260604		BTW_WHEEL				*		1	
8	R	26260802	26260000	BTW_BEARING_SPACER				*		1	1.00
9		26261008		BTW_LEVER_SHAFT				*		1	
10		26261206		BTW_SPACER				*	☆	1	
11	R	26261305	26260000	BTW_BEARING				*		2	1.00
12		26261503		BTW_WHEEL_RUBBER				*	☆	1	
13		26261602		BOBBIN_SPRING				*	☆	1	
14		26261701		BTW_SPRING				*		1	
15		40011144		BTW_TORSION_SPRING				*		1	
16		40014837		BTW_SHAFT				*		1	
17		40023022		BTW LEVER				*		1	
18		RC0560711KP		RETAINING RING				*		1	
19		RE0400000K0		E-RING 4				*		1	
20		SM5040655SN		SCREW				*		1	
21		SM8040802TP		SCREW M4X8				*		2	
22		SM8050502TP		SCREW M5 L=5				*		1	
23		WP0450826SC		WASHER 4.5X10X0.8				*		1	
24		SS6121030SN		SCREW 3/16-28 L=10						3	
25		10502300		THREAD CUTTER					☆	1	
26		40023291		THREAD GUIDE NO.1						1	
27		SS4150915SP		SCREW 15/64-28 L=9						1	
28		SS6090620TP		SCREW						2	
29		23636657		BOBBIN THREAD TENSION ASM.						1	
30		11072402		THREAD TENSION NUT				*		1	
31		14113450		BOBBIN THREAD T- ENSION ROD ASM.				*		1	
32	R	B3126012000	22921506	THREAD TENSION DISK				*		2	1.00
33		D7133555B00		CONNECTING ROD SPRING				*		1	
34		NS6110530SP		NUT 11/64-40				*		1	

MAIN SHAFT & NEEDLE BAR COMPONENTS



MAIN SHAFT & NEEDLE BAR COMPONENTS

No.	Supply Code	Parts No.	Replacement	Parts name	Remarks	Choice	Step	Level	Cons	Qty	Rep. QTY
1		23604010		MAIN SHAFT						1	
2		23604168		COUNTER WEIGHT ASM.						1	
3	R	23604119	23604168	COUNTER WEIGHT				*		1	1.00
4		SS7681650TP		SCREW 9/32-28 L=16				*		1	
5		SS8681650TP		SCREW 9/32-28 L=16				*		1	
6		SS8660610TP		SCREW 1/4-40 L=6				*		2	
7		SL6052592TN		BOLT						4	
8		40051473		COUPLING ASM.						1	
9		SM80608A2TP		SCREW M6 L=8				*		4	
10		40000270		THREAD TAKE-UP COMPL.						1	
11		40044906		HAND WHEEL ASM.						1	
12		SM80608A2TP		SCREW M6 L=8				*		2	
13		23622400		THREAD TAKE-UP CRANK SHAFT						1	
14		40010434		THRUST_COLLAR_ASM.						1	
15		22891204		BEARING SUPPORT						2	
16		SB307000200		BEARING						2	
17		SS6151920TP		SCREW 15/64-28 L=19.0						1	
18		40089196		IPM_MOTOR						1	
19		23605256		BEARING COMPL.						1	
20		SM80608A2TP		SCREW M6 L=8				*		2	
21		SB120000800		BEARING						1	
22		40039946		SPROCKET ASM.						1	
23		23607302		TIMING BELT						1	
24		SM80608A2TP		SCREW M6 L=8						2	
25		40000221		NEEDLE BAR B	FOR DLN-- 9010SS (JE)					1	
26		MC200500900		NEEDLE 134 90	FOR DLN-- 9010SS (JE)				☆	1	
27		40000220		NEEDLE BAR A	FOR DLN-- 9010SS (G- ENERAL E- XPORT,JA)					1	
28		MDB100B1400		NEEDLE DBX1 #14	FOR DLN-- 9010SS (G- ENERAL E- XPORT,JA)				☆	1	
29		22906457		NEEDLE BAR HOLDER ASM.						1	
30	R	22906408	22906457	NEEDLERODHOLDER				*		1	1.00
31		SS6090670TP		SCREW 9/64-40 L=6				*		1	
32		B1414555000		SLIDE BLOCK						1	
33		40020454		BTW DRIVING WHEEL ASM.						1	
34		SM8051610SP		SCREW M5 L=16				*		2	
35		40020455		BTW DRIVING WHEEL				*		1	
36		SS7080510TP		SCREW 1/8-44 L=4.5					☆	1	
37		EA9500B0100		CABLE BAND						2	
38		B1418552A00		NEEDLE THREAD GUIDE A					☆	1	

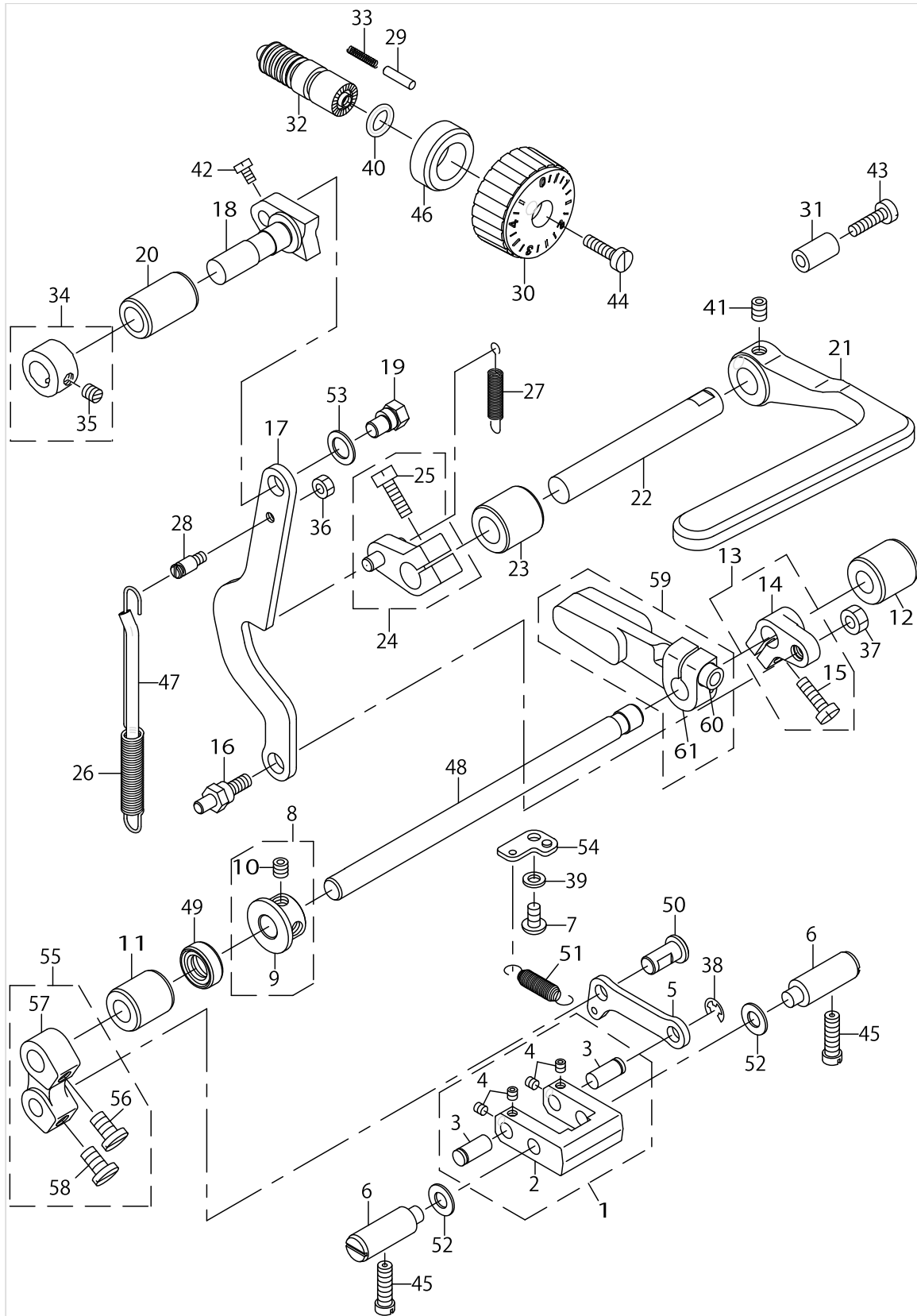
HAND LIFTER & TENSION RELEASE COMPONENTS

No.	Supply Code	Parts No.	Replacement	Parts name	Remarks	Choice	Step	Level	Cons	Qty	Rep. QTY
1		23609001		PRESSERRODMETAL						1	
2		40000227		KNEE LIFTING CROSS ROD						1	
3		23609209		PRESSER SPRING REGULATOR						1	
4		40000228		LIFTING PLATE ASM.						1	
5		RE0500000K0		E-RING 5				*		1	
6	R	23609456	23609357	LIFTING LINK COMPL.				*		1	1.00
7		23609605		PLATE				*		1	
8		40000229		LIFTING PLATE				*		1	
9		SM6040602TP		SCREW M4 L=6				*		1	
10		CS064061ASP		THRUST COLLAR ASM.						1	
11		RE0500000K0		E-RING 5						1	
12		40000230		LIFTING LEVER LINK						1	
13		23609803		CONNECTING ROD						1	
14		23609902		CONNECTING ROD GUIDE						1	
15		40000231		PRESSER BAR GUIDE BRACKET						1	
16		23610207		PRESSER BAR						1	
17		23610306		PRESSER GUIDE BAR						1	
18		40000232		GUIDE BRACKET PLATE						1	
19		11301702		LINK SHAFT						1	
20		22908909		HINGE SCREW						1	
21	R	22907604	22907554	PRESSER SPRING REGULATOR NUT						1	1.00
22		22907802		HAND LIFTER						1	
23		40000233		PRESSER LIFTER CAM COMPL.						1	
24		22907406		PRESSER SPRING						1	
25		B1521555000		SCREW						1	
26		D1524415BBC		PRESSER FOOT ASM.						1	
27		WP0651001SC		WASHER						1	
28		40000333		THREAD RELEASE LINK						1	
29		RO037180100		RUBBER RING						1	
30		GAKA1843000		KNEE LIFTER LINK FULCRUM SHAFT						1	
31		SS4121015SP		SCREW 3/16-28 L=10						1	
32		SS7110410SP		SCREW 11/64-40 L=4						1	
33		SS7091110TP		SCREW 9/64-40 L=10.5					☆	1	
34		WP0501016SD		WASHER 5X10.5X1						1	
35		SS7111410TP		SCREW 11/64-40 L=14						1	
36		40000327		THREAD RELEASE WIRE ASM.						1	
37		40000334		WIRE GUIDE						1	
38		40000332		WIRE HOLDER BRACKET						1	
39		11305901		DIFFERENTIAL PLATE SPRING						1	
40		11306107		DIFFERENTIAL PLATE SHAFT						1	
41		RE0300000K0		E-RING 3						1	
42		22944508		WIRE PRESSER A						2	
43		SS4120615SP		SCREW 3/16-28 L=6						2	
44		NS6620310SP		NUT 3/16-32						2	
45		SS6090810TP		SCREW 9/64-40 L=7.5						1	

HAND LIFTER & TENSION RELEASE COMPONENTS

No.	Supply Code	Parts No.	Replacement	Parts name	Remarks	Choice	Step	Level	Cons	Qty	Rep. QTY
46		SS4110715SP		SCREW 11/64-40 L=7						2	
47		NS6150310SP		NUT 15/64-28						1	
48		23610801		BOLT						1	
49		WP0621016SD		WASHER 6.2X13X1						1	
50		RO044240100		RUBBER RING						1	
51		23611056		MINUTE LIFTING DEVICE ASM.	OPTIONAL PARTS					1	
52		23611106		HAND LIFTER				*		1	
53		23610504		STOPPER BASE				*		1	
54		23610652		STOPPER SCREW ASM.				*		1	
55		11244019		STOPPER COLLAR				*		1	
56		23610702		STOPPER SCREW NUT				*		1	
57		11433802		SET SCREW				*		1	
58		WP0480856SP		WASHER 4.8X8.4X0.8				*		1	
59		SD0640261SP		HINGE SCREW D=6.35 H=2.6						1	

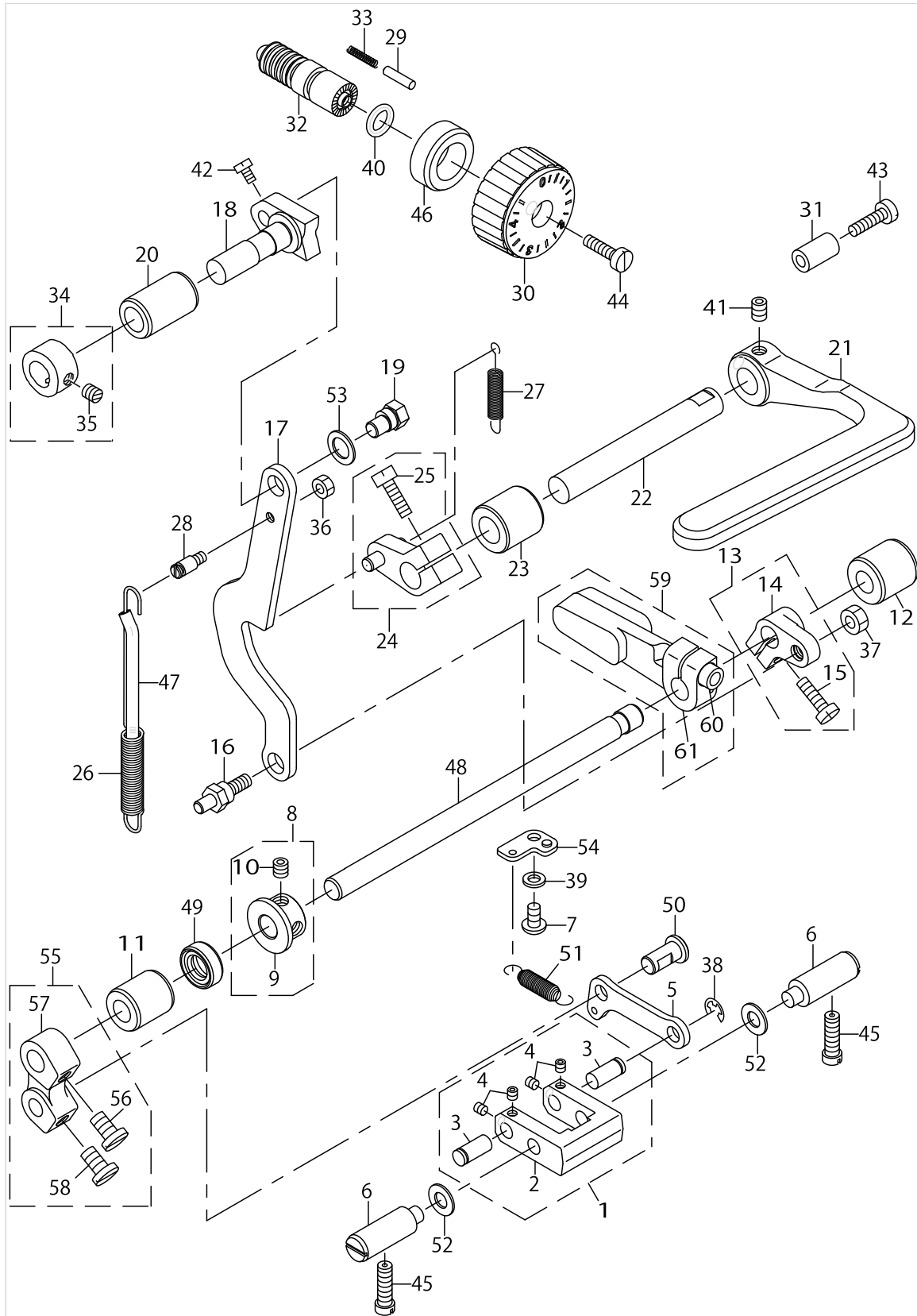
FEED ADJUST MECHANISM COMPONENTS



FEED ADJUST MECHANISM COMPONENTS

No.	Supply Code	Parts No.	Replacement	Parts name	Remarks	Choice	Step	Level	Cons	Qty	Rep. QTY
1		40033391		ADJUSTING LINK ASM.						1	
2		40033392		ADJUSTING LINK				*		1	
3		40033393		ADJUSTING LINK PIN				*		2	
4		SM8040412TP		SET SCREW M4 L=4				*		4	
5		40009730		ADJUSTING LINK C- ONNECTING LINK						1	
6		40012032		ADJUSTING LINK F- ULCRUM SHAFT						2	
7		SS4120915SP		SCREW 3/16-28 L=9						1	
8		40055585		THRUST COLLAR ASM.						1	
9	R	23612716	23612765	THRUST COLLAR				*		1	1.00
10		SS8660612TP		SCREW 1/4-40 L=6				*		2	
11		23612807		METAL A						1	
12		40052274		METAL B						1	
13		23613052		FEED CHANGING S- HAFT ARM ASM.,B						1	
14		23613003		FEED CHANGING SHAFT ARM,B				*		1	
15		SS6121610SP		SCREW 3/16-28 L=15.5				*		1	
16		23613102		FEED CHANGING S- HAFT ARM B PIN						1	
17		40013470		FEED ADJUSTING ROD						1	
18		23613300		FEED ADJUSTING BASE						1	
19		23613409		FEED ADJUSTING PIN						1	
20		23613508		ADJUSTING BASE SHAFT METAL						1	
21		23613607		FEED LEVER						1	
22		23613706		FEED LEVER SHAFT						1	
23		23613805		FEED LEVER SHAFT METAL						1	
24		23613953		FEED LEVER ARM ASM.						1	
25		SS6121610SP		SCREW 3/16-28 L=15.5				*		1	
26		40009727		FEED ADJUSTING SPRING						1	
27		23614308		FEED LEVER SPRING						1	
28		40023289		SPRINGSUSPENSION						1	
29		22912000		FEED REGULATOR PIN						1	
30		40011723		FEED DIAL						1	
31		22952501		BACK LEVER STOPPER						1	
32		22911804		FEED REGULATOR SCREW						1	
33		22912109		FEED REGULATOR PIN SPRING						1	
34		CS111101CSH		THRUST COLLAR A- SM.D=11.11 W=10						1	
35		SS8660330SP		SCREW 1/4-40 L=3.0				*		2	
36		NS6110310SP		NUT 11/64-40						1	
37		NS6150310SP		NUT 15/64-28						1	
38		RE0500000K0		E-RING 5						1	
39		WS0510002KP		SPRING WASHER 5.1X9.2X1.3						1	
40		RO092270200		RUBBER RING						1	
41		SM80608A2TP		SCREW M6 L=8						2	
42		SS6090670TP		SCREW 9/64-40 L=6						2	
43		SS6121840SP		SCREW 3/16-28 L=18						1	
44		SS6121860SP		SCREW 3/16-28 L=18						1	

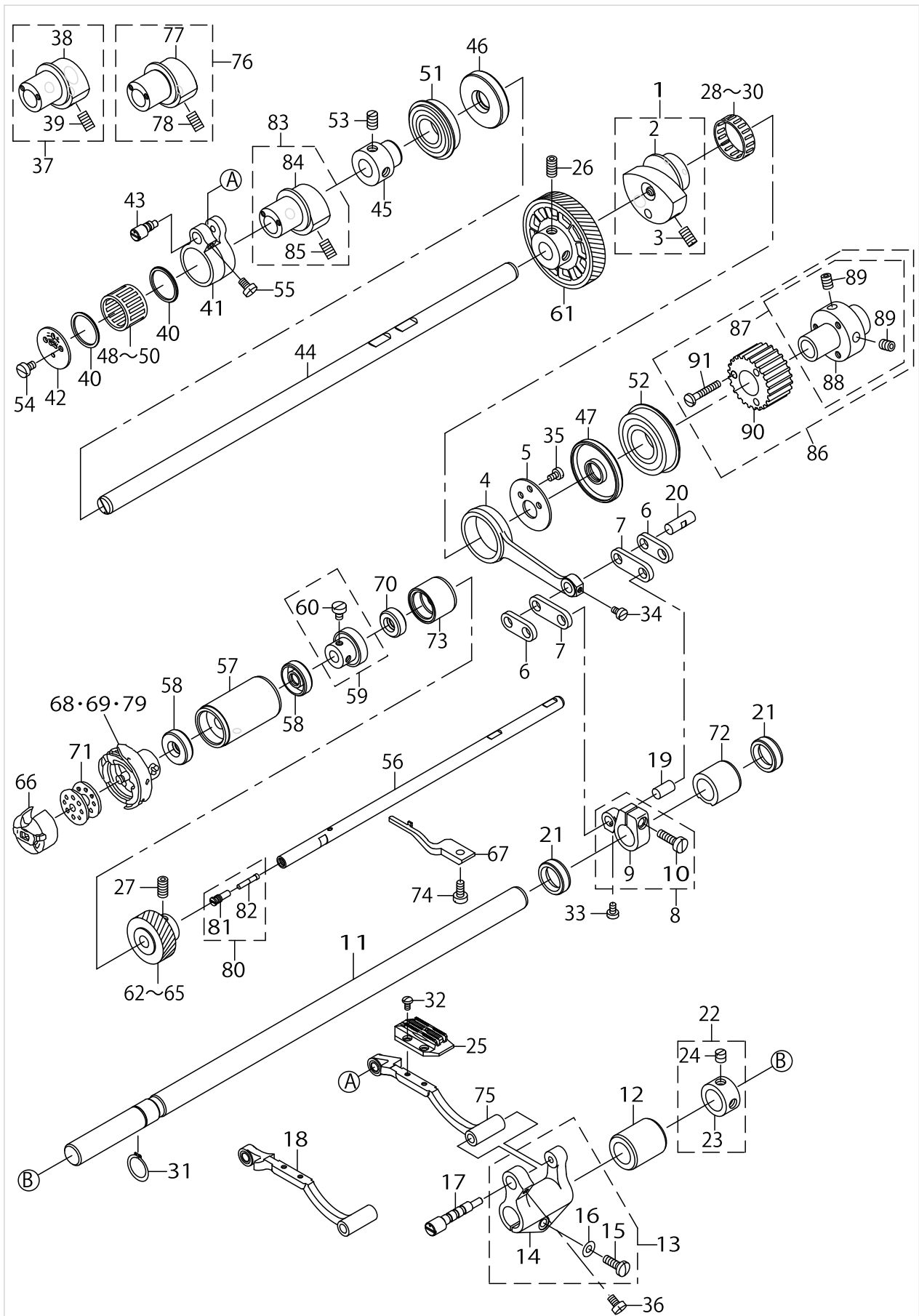
FEED ADJUST MECHANISM COMPONENTS



FEED ADJUST MECHANISM COMPONENTS

No.	Supply Code	Parts No.	Replacement	Parts name	Remarks	Choice	Step	Level	Cons	Qty	Rep. QTY
45		SS6151920TP		SCREW 15/64-28 L=19.0						2	
46		23614407		FEED DIAL RUBBER						1	
47		23630007		TUBE						.09	
48		23612500		FEED CHANGING SHAFT						1	
49		23612609		FEED CHANGING SHAFT OIL SEAL						1	
50		40009731		CONNECTING PIN						1	
51		40009724		ADJUSTING LINK SPRING						1	
52		10548501		THREAD TAKE-UP CRANK SPACER						2	
53		WP0951016SP		WASHER 9.53X15X1						1	
54		40009789		ADJUSTING LINK SPRING HOOK						1	
55		40011724		FEED CHANGING S- HAFT ARM A ASM.						1	
56		SS6661110SP		SCREW 1/4-40 L=11				*		1	
57		40009729		FEED CHANGING SHAFT ARM A				*		1	
58		SS6661110SP		SCREW 1/4-40 L=11				*		1	
59		40061560		FEED_CHANGING_B- ALANCER_ARM_ASM.						1	
60		SM6061802TP		SCREW M6 L=18				*		1	
61		40061545		FEED_CHANGING_BALANCER_ARM				*		1	

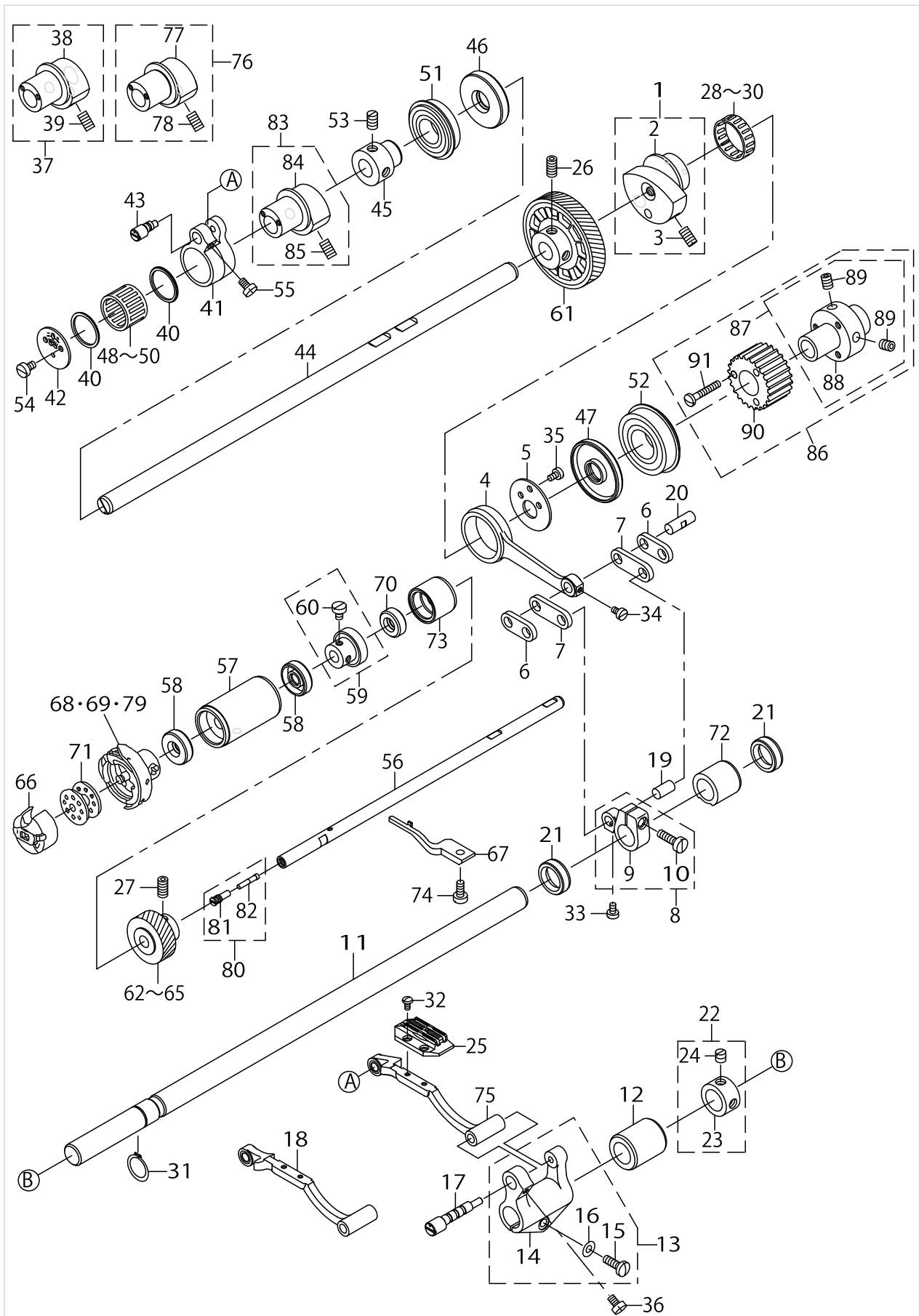
HORIZONTAL FEED & VERTICAL FEED AND HOOK DRIVING SHAFT COMPONENTS



HORIZONTAL FEED & VERTICAL FEED AND HOOK DRIVING SHAFT COMPONENTS

No.	Supply Code	Parts No.	Replacement	Parts name	Remarks	Choice	Step	Level	Cons	Qty	Rep. QTY
1		23616055		FEED ROCKER CAM ASM.						1	
2		23616006		FEED ROCKER CAM				*		1	
3		SS8151150TP		SCREW 15/64-28 L=10.5				*		2	
4		23616105		FEED ROCKER ROD						1	
5		23616204		FEED ROCKER CAM PLATE						1	
6		23616303		CONNECTING LINK,A						2	
7		23616402		CONNECTING LINK,B						2	
8		23616550		FEED ROCKER ARM ASM.						1	
9	R	23616501	23616550	FEED ROCKER ARM				*		1	1.00
10		SS6121610SP		SCREW 3/16-28 L=15.5				*		1	
11		40000247		FEED ROCKER SHAFT						1	
12		23616709		FEED ROCKER SHAFT METAL						1	
13		23616857		FEED ROCKER BASE ARM ASM.						1	
14	R	23616808	23616857	FEED ROCKER BASE ARM				*		1	1.00
15		SS7121410TP		SCREW 3/16-28 L=14				*		1	
16		WP0480856SP		WASHER 4.8X8.4X0.8				*		1	
17		23616907		FEED ROCKER BASE SHAFT						1	
18		40000249		FEED BASE COMPL.	OPTIONAL PARTS					1	
19		22911002		WALKING FOOT PIN B						1	
20		22911101		WALKING FOOT PIN C						1	
21		40029963		OIL SEAL						2	
22		22904155		MAIN SHAFT THRU-ST COLLAR ASM.						1	
23	R	22904106	22904155	MAIN SHAFT THRUST COLLAR				*		1	1.00
24		SS8660610TP		SCREW 1/4-40 L=6				*		2	
25		D1609415B00		FEED DOG					☆	1	
26		SS8661012TP		SCREW						2	
27		SS8661012TP		SCREW						2	
28		B412352200A		NEEDLE ROLLAR A	SELECTIVE PARTS					1	
29		B412352200B		NEEDLE ROLLAR B	SELECTIVE PARTS					1	
30		B412352200C		NEEDLE ROLLAR C	SELECTIVE PARTS					1	
31		RC0150001KP		RETAINING RING 13.8						1	
32		SS4080620TP		SCREW 1/8-44 L=6					☆	2	
33		SS6090620TP		SCREW						1	
34		SS6090620TP		SCREW						1	
35		SS6090670TP		SCREW 9/64-40 L=6						2	
36		SS7110740TP		SCREW 11/64-40 L=7						1	
37		40000257		FEED DRIVING CAM ASM. 2	OPTIONAL PARTS					1	
38		40000258		FEED DRIVING CAM 2				*		1	
39		SS8151150TP		SCREW 15/64-28 L=10.5				*		2	
40		23618101		FEED DRIVING CAM THRUST BUSH						2	
41		23618200		FEED DRIVING BASE ARM						1	
42		23618309		FEED DRIVING CAM PLATE						1	
43		23618408		FEED DRIVING BASE SHAFT						1	
44		40011711		FEED DRIVING SHAFT						1	
45		23618606		BEARING SUPPORT						1	

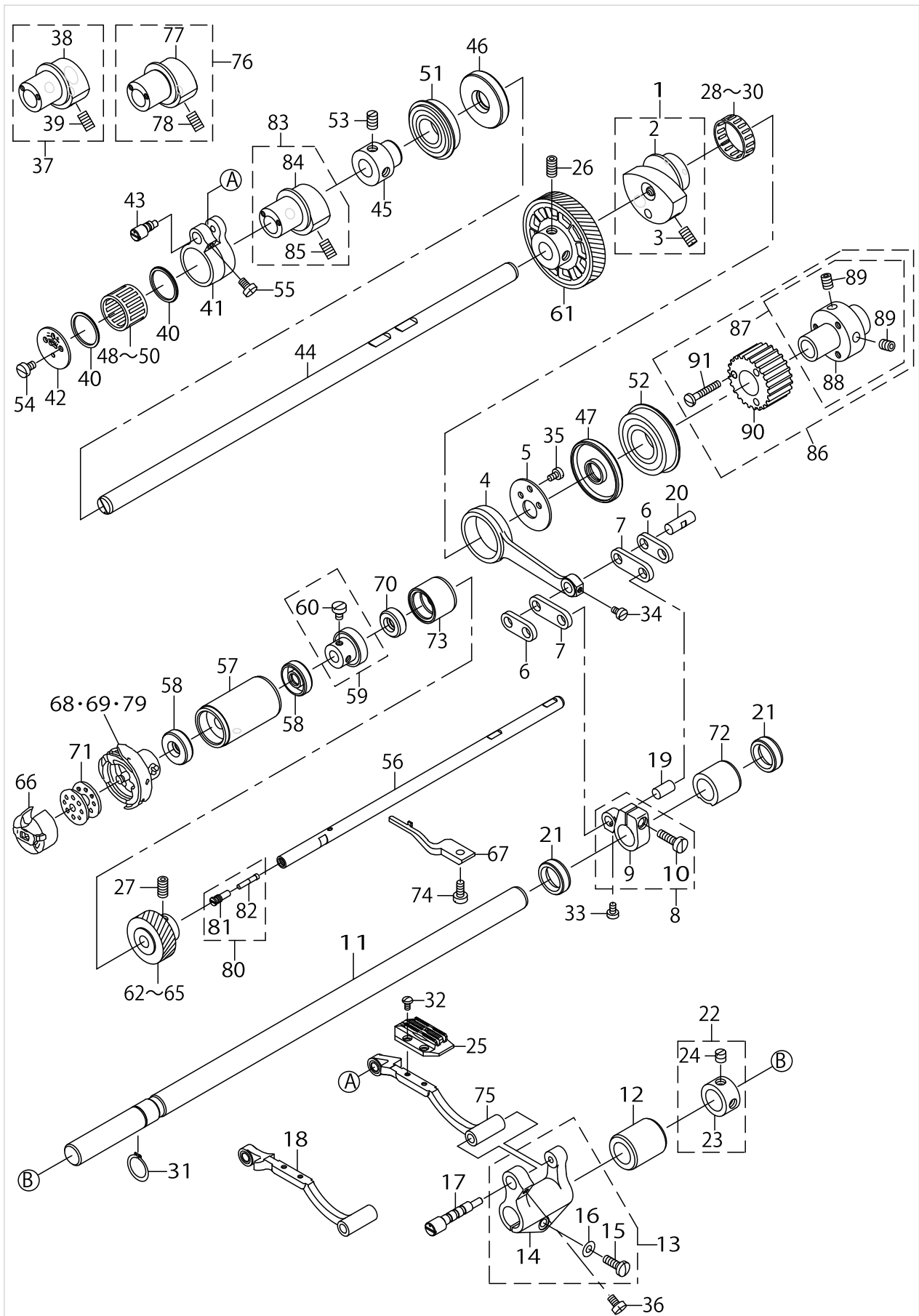
HORIZONTAL FEED & VERTICAL FEED AND HOOK DRIVING SHAFT COMPONENTS



HORIZONTAL FEED & VERTICAL FEED AND HOOK DRIVING SHAFT COMPONENTS

No.	Supply Code	Parts No.	Replacement	Parts name	Remarks	Choice	Step	Level	Cons	Qty	Rep. QTY
46		23618705		OIL SEAL						1	
47		23618804		OIL SEAL						1	
48		SB32000060A		BEARING	SELECTIVE PARTS					1	
49		SB32000060B		BEARING	SELECTIVE PARTS					1	
50		SB32000060C		BEARING	SELECTIVE PARTS					1	
51		SB117000400		BEARING						1	
52		SB120001000		BEARING						1	
53		SS8661012TP		SCREW						2	
54		SS6090670TP		SCREW 9/64-40 L=6						2	
55		SS6110710TP		SCREW 11/64-40 L=6.5						1	
56		23620008		HOOK SHAFT						1	
57		23620156		HOOK SHAFT METAL COMPL.						1	
58	R	23620206	40145927	OIL SEAL						2	1.00
59		23620354		BEARING SUPPORT ASM.						1	
60		SS6110650TP		SCREW 11/64-40 L=5.5				*		2	
61		23620503		GEAR,LARGE						1	
62		23620701		GEAR,SMALL(A)	SELECTIVE PARTS					1	
63		23620800		GEAR,SMALL(B)	SELECTIVE PARTS					1	
64		23620909		GEAR,SMALL(C)	SELECTIVE PARTS					1	
65		23621006		GEAR,SMALL(D)	SELECTIVE PARTS					1	
66		40000264		BOBBIN CASE ASM.					☆	1	
67		40000265		INNER HOOK PRESSER					☆	1	
68		11141355		HOOK ASM. C	FOR DLN-- 9010SS(JE,JA)				☆	1	
69		11038650		HOOK ASM.	FOR DLN-- 9010SS(GE- NERAL EXPORT)				☆	1	
70		22890008		HOOK DRIVING SHAFT OIL SEAL						1	
71		22932909		BOBBIN					☆	1	
72		40000248		HORIZONTAL FEED SHAFT METAL						1	
73		23620404		HOOK SHAFT REAR METAL						1	
74		SS6111010TP		SCREW 11/64-40 L= 9.5						1	
75		23617053		FEED BASE COMPL.						1	
76		23619158		FEED DRIVING CAM ASM. F	OPTIONAL PARTS					1	
77		23619109		FEED DRIVING CAM F				*		1	
78		SS8151150TP		SCREW 15/64-28 L=10.5				*		2	
79		23621303		HOOK ASM. K	OPTIONAL PARTS				☆	1	
80		22916555		OILSEALSCREWASM.						1	
81		22916506		SET SCREW				*		1	
82		11015906		OIL WICK				*	☆	1	
83		23618051		FEED DRIVING CAM ASM.						1	
84	R	23618002	23618051	FEED DRIVING CAM				*		1	1.00
85		SS8151150TP		SCREW 15/64-28 L=10.5				*		2	
86		40031608		SPROCKET ASM.						1	
87		40031607		SPROCKET SUPPORT ASM.				*		1	
88		40031606		SPROCKET SUPPORT				*		1	
89		SS8150822TP		SCREW 15/64-28 L=8				*		2	
90		40031605		SPROCKET				*		1	

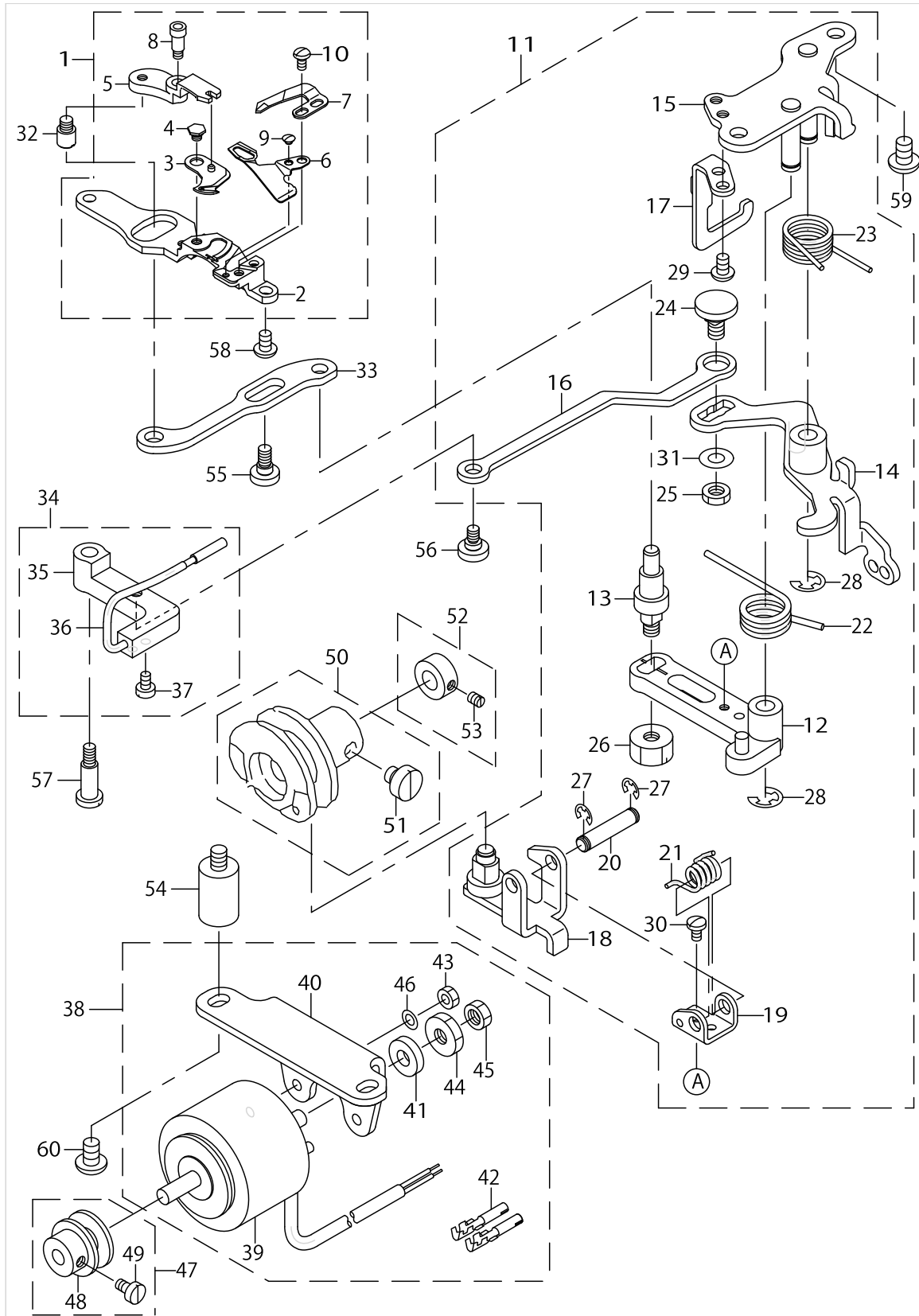
HORIZONTAL FEED & VERTICAL FEED AND HOOK DRIVING SHAFT COMPONENTS



HORIZONTAL FEED & VERTICAL FEED AND HOOK DRIVING SHAFT COMPONENTS

No.	Supply Code	Parts No.	Replacement	Parts name	Remarks	Choice	Step	Level	Cons	Qty	Rep. QTY
91		SS7112420SP		SCREW11/64-40L=24				*		3	

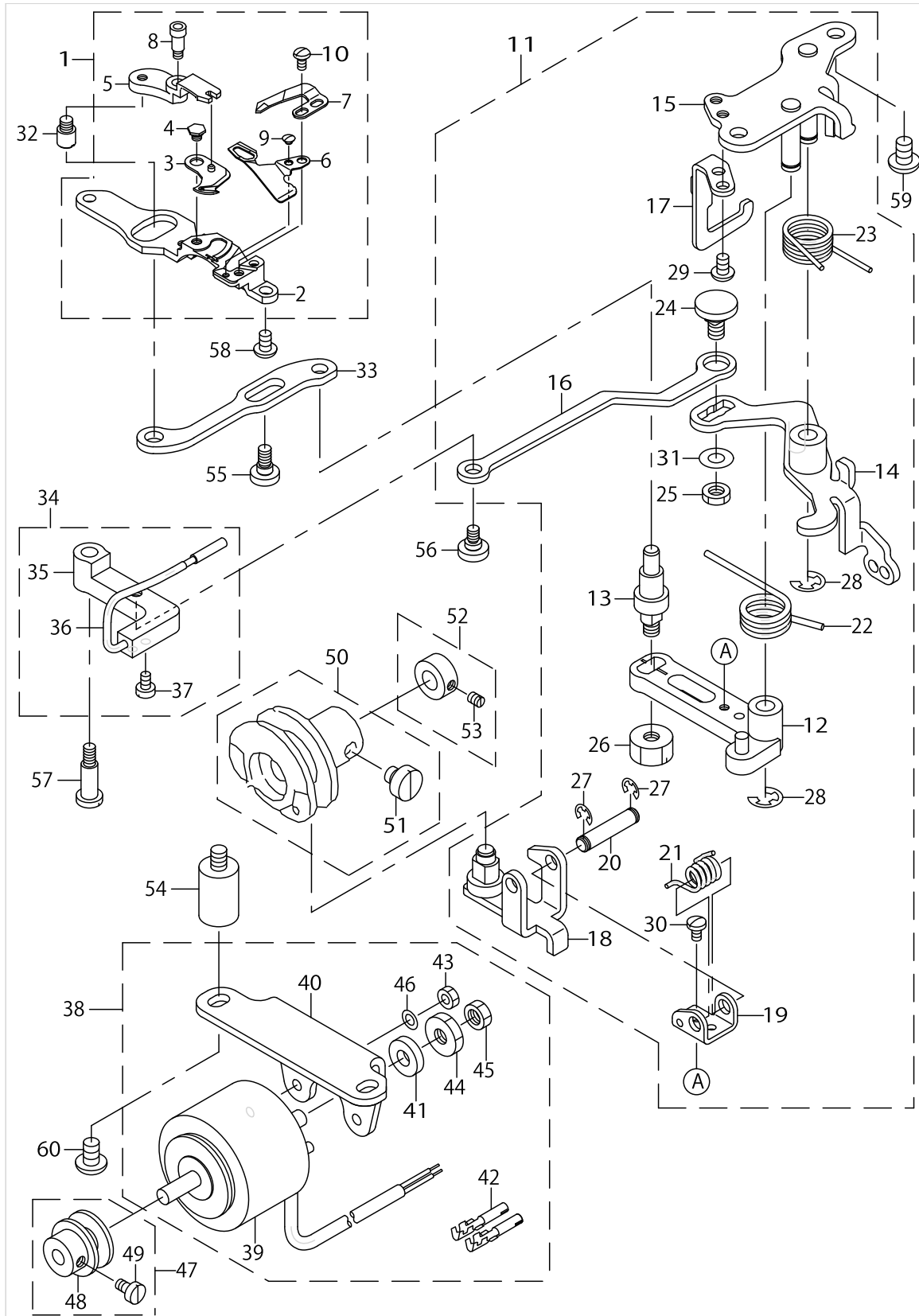
THREAD TRIMMER COMPONENTS



THREAD TRIMMER COMPONENTS

No.	Supply Code	Parts No.	Replacement	Parts name	Remarks	Choice	Step	Level	Cons	Qty	Rep. QTY
1		40000322		KNIFE UNIT						1	
2		23623002		KNIFE INSTALLING BASE				*		1	
3		11313053		MOVING KNIFE ASM.				*	☆	1	
4		SD0500095TH		HINGE SCREW D=5 H=0.85				*		1	
5		11232105		FORKED BASE FOR KNIFE				*		1	
6		40000323		THREAD GUIDE FOR KNIFE				*	☆	1	
7		40000324		COUNTER KNIFE				*	☆	1	
8		SD0460703TP		HINGE SCREW D=4.6 H=7				*		1	
9		SS2060210SP		SCREW 3/32-56 L=2.3				*	☆	1	
10		SS4080620TP		SCREW 1/8-44 L=6				*		2	
11		23623168		THREAD TRIMMER DRIVING UNIT						1	
12		23623150		KNIFE DRIVING ARM ASM.				*		1	
13		23623200		MOVING KNIFE LINK PIN				*		1	
14		23623358		CLUTCH PLATE ASM.				*		1	
15		23623556		BASE PLATE ASM.				*		1	
16		23623705		PICKER LINK				*		1	
17		23623804		DRIVING ARM STOPPER				*		1	
18		11040953		ROLLER ARM ASM.				*		1	
19		22949002		ROLLER ARM SEAT				*		1	
20		22949101		ROLLER FULCRUM SHAFT				*		1	
21		22949200		ROLLER RETURN SPRING				*		1	
22	R	11043700	22949309	KNIFE RETURN SPRING, B				*		1	1.00
23		22949408		CLUTCH SPRING				*		1	
24		22950000		PICKER LINK PIN				*		1	
25		NS6150310SP		NUT 15/64-28				*		1	
26		NS6150810SP		NUT 15/64-28				*		1	
27		RE0400000K0		E-RING 4				*		2	
28		RE0600000K0		E-RING 6				*		2	
29		SS4110715SP		SCREW 11/64-40 L=7				*		2	
30		SS7090610SP		SCREW 9/64-40 L=6				*		1	
31		WP0621016SH		WASHER				*		1	
32		23623903		PIN						1	
33		23624000		MOVING KNIFE LINK						1	
34		23624158		PICKER ARM ASM.						1	
35		23624109		PICKER ARM				*		1	
36		23624257		THREAD TAKE-UP PICKER ASM.				*	☆	1	
37		SS6090620TP		SCREW				*		2	
38		23624356		SOLENOID ASM.						1	
39	R	23624307	23624356	SOLENOID				*		1	1.00
40		23624406		SOLENOID BASE				*		1	
41		11043304		SOLENOID RUBBER				*		1	
42		HK03464000B		PIN CONTACT				*		2	
43		NM6040000SN		NUT M4				*		2	
44		NS6660410SH		NUT				*		1	
45		NS6660430SP		NUT 1/4-40				*		1	
46		WP0430800SC		WASHER M4				*		2	

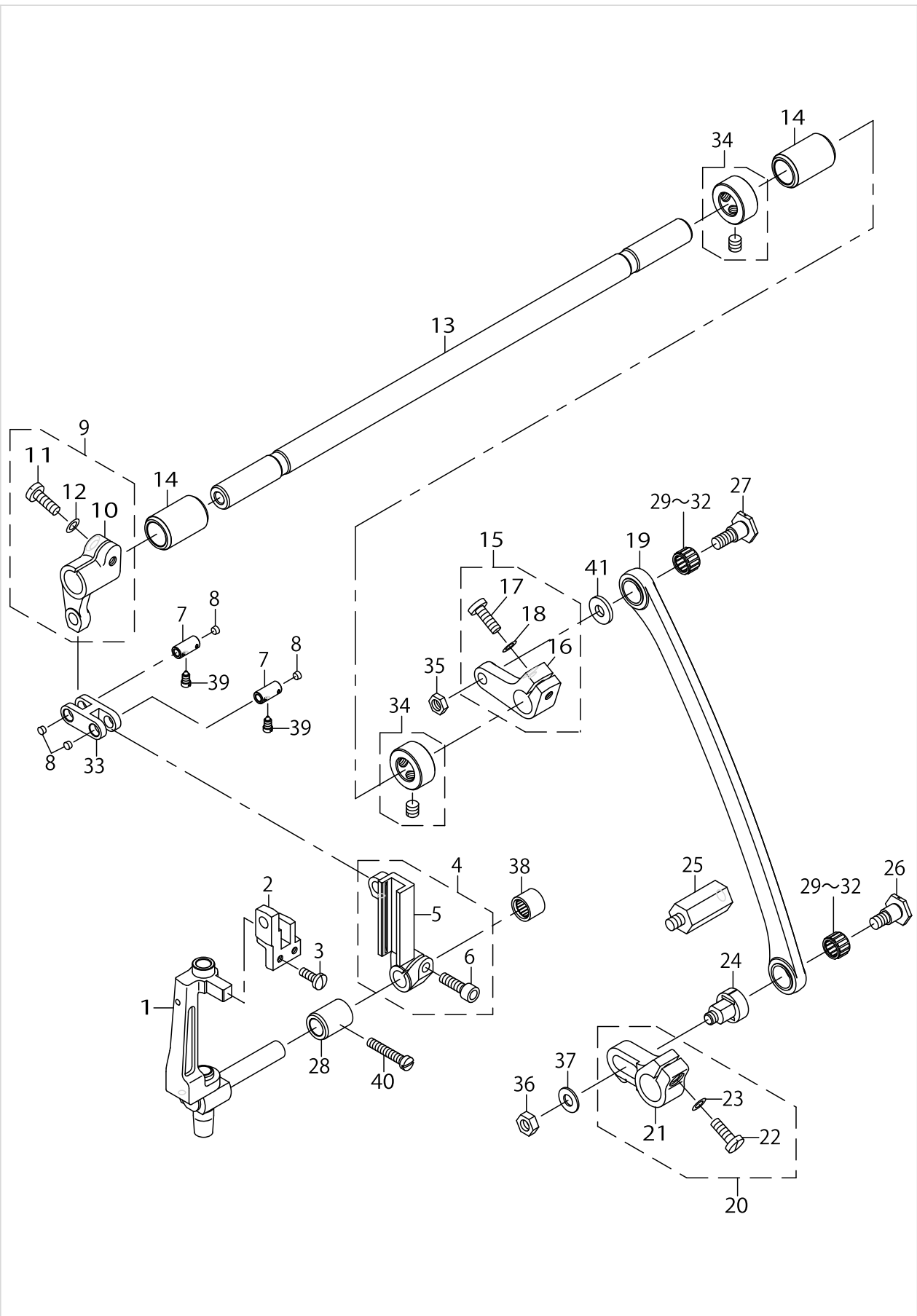
THREAD TRIMMER COMPONENTS



THREAD TRIMMER COMPONENTS

No.	Supply Code	Parts No.	Replacement	Parts name	Remarks	Choice	Step	Level	Cons	Qty	Rep. QTY
47		23624554		DRIVING BLOCK ASM.						1	
48		23624505		DRIVING BLOCK				*		1	
49		SS6110710TP		SCREW 11/64-40 L=6.5				*		1	
50		22950851		THREAD TRIMMER CAM ASM.						1	
51		SS6660610TP		SCREW 1/4-40 L=6				*		2	
52		22950950		CAM COLLAR ASM.						1	
53		SS8110520TP		SCREW 11/64-40 L= 4.5				*		1	
54		40023290		SOLENOID BASE STUD						2	
55		SD0600321SP		HINGE SCREW D=6 H=3.2						1	
56		SD0630275SP		HINGE SCREW D=6.35 H=2.7						1	
57		SD0641452TP		HINGE SCREW D=6.35 H=14.5						1	
58		SS4110715SP		SCREW 11/64-40 L=7						2	
59		SS4150915SP		SCREW 15/64-28 L=9						2	
60		SS4150915SP		SCREW 15/64-28 L=9						2	

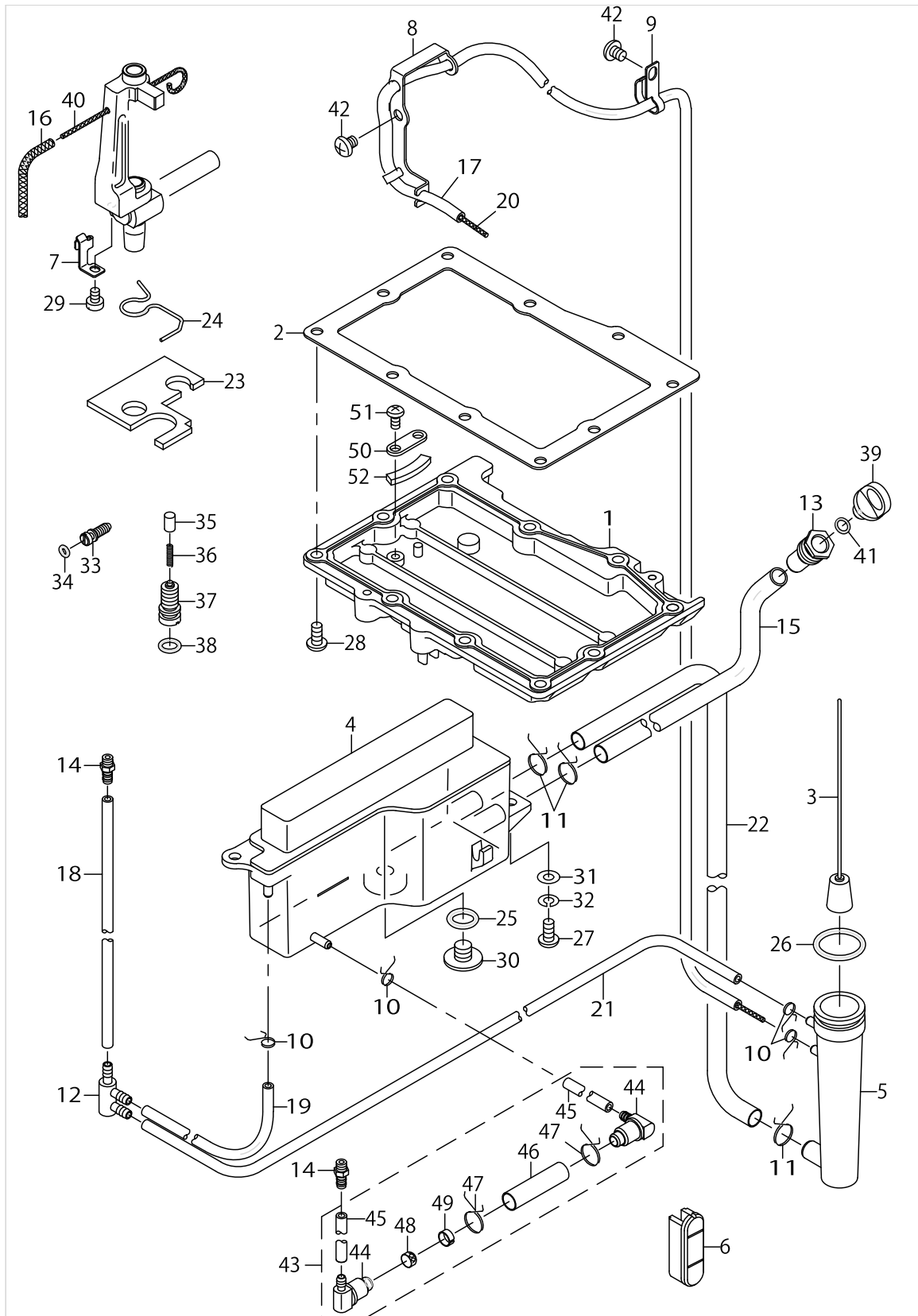
NEEDLE BAR FRAME COMPONENTS



NEEDLE BAR FRAME COMPONENTS

No.	Supply Code	Parts No.	Replacement	Parts name	Remarks	Choice	Step	Level	Cons	Qty	Rep. QTY
1		40000281		ROCKING BASE COMPL.						1	
2		40000289		ROCKING BASE GUIDE						1	
3		SS7091110TP		SCREW 9/64-40 L=10.5						2	
4		40000291		SLIDE BLOCK GUIDE ASM.						1	
5		40000292		SLIDE BLOCK GUIDE				*		1	
6		SM6051602TP		SCREW M5X0.8 L=16				*		1	
7		40000293		LINK PIN						2	
8		TA0340201R0		PLUG D=3.4X3.9 L=2						4	
9		40000295		DRIVING CRANK ASM. ,FRONT						1	
10	R	40000296	40000295	DRIVING CRANK ,FRONT				*		1	1.00
11		SS7121410TP		SCREW 3/16-28 L=14				*		1	
12		WP0480856SP		WASHER 4.8X8.4X0.8				*		1	
13		40000298		NEEDLE FEED SHAFT						1	
14		40000299		NEEDLE FEED SHAFT METAL						2	
15		40000301		DRIVING CRANK ASM. ,REAR						1	
16		40000302		DRIVING CRANK ,REAR				*		1	
17		SS7121410TP		SCREW 3/16-28 L=14				*		1	
18		WP0480856SP		WASHER 4.8X8.4X0.8				*		1	
19		40000304		NEEDLE FEED ROD CPMPL.						1	
20		40000307		NEEDLE FEED ARM ASM.						1	
21		40000308		NEEDLE FEED ARM				*		1	
22		SS7121410TP		SCREW 3/16-28 L=14				*		1	
23		WP0480856SP		WASHER 4.8X8.4X0.8				*		1	
24		40000309		NEEDLE FEED ADJUSTING BLOCK						1	
25		40000311		NEEDLE FEED ROD STRUT						1	
26		SD0800801TP		STEP-SCREW D=8 H=8						1	
27		SD0800802TP		STEP-SCREW D=8 H=8						1	
28		11214509		BUSHING						1	
29		B1905541A00		NEEDLE BEARING	SELECTIVE PARTS					2	
30		B1905541B00		NEEDLE BEARING	SELECTIVE PARTS					2	
31		B1905541C00		NEEDLE BEARING	SELECTIVE PARTS					2	
32		B1905541D00		NEEDLE BEARING	SELECTIVE PARTS					2	
33		B2906415000		DRIVING LINK						1	
34		CS120101BSH		THRUST COLLAR ASM.						2	
35		NS6150310SP		NUT 15/64-28						1	
36		NS6150430SP		NUT 15/64-28						1	
37		WP0621016SD		WASHER 6.2X13X1						1	
38		SB309000400		BEARING						1	
39		SS6090660TP		SCREW 9/64-40 L=6						2	
40		SS7112420SP		SCREW 11/64-40 L=24						1	
41		WP0602016SP		WASHER						1	

OIL LUBRICATION COMPONENTS



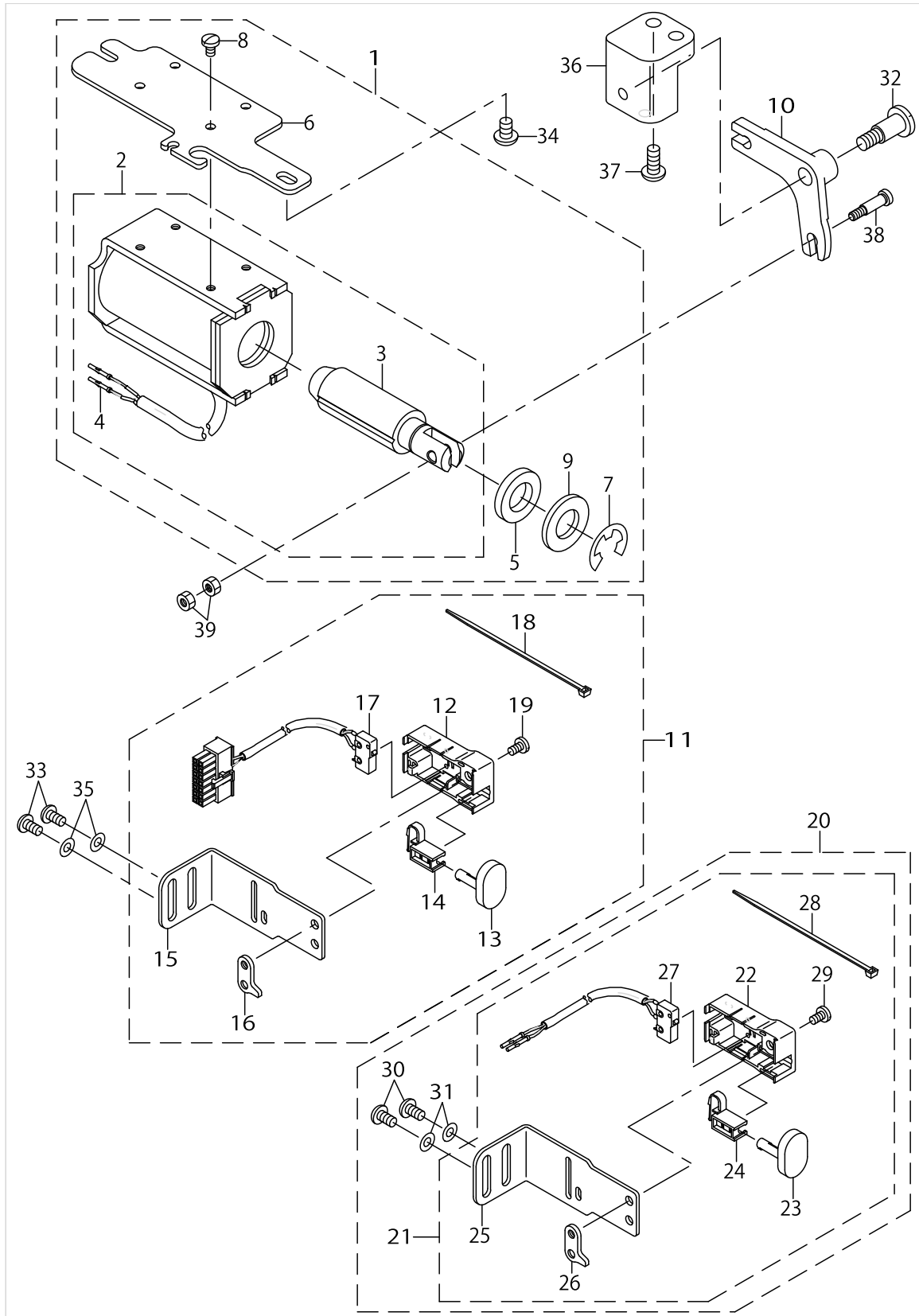
OIL LUBRICATION COMPONENTS

No.	Supply Code	Parts No.	Replacement	Parts name	Remarks	Choice	Step	Level	Cons	Qty	Rep. QTY
1		40011344		GEAR BOX COVER						1	
2		23628100		GEAR BOX PACKING						1	
3		23628357		FLOATER ASM.						1	
4		23628555		OIL TANK ASM.						1	
5		23628704		FLOATER CASE						1	
6		23629108		OIL SIGHT WINDOW						1	
7		40000339		OIL WICK SUPPORT						1	
8		40000340		PIPE SUPPORT A						1	
9		40022407		CORD HOLDER						1	
10		23629306		PIPE STOPPER A						4	
11		23629405		PIPE STOPPER B						3	
12		23629504		DISTRIBUTOR A						1	
13		40000343		LUBRICATING INLET						1	
14		23629801		LUBRICATION CONNECTOR						2	
15		23630106		TUBE B						.34	
16		23629702		OIL WICK						.1	
17		23630007		TUBE						.72	
18		23630007		TUBE						.04	
19		23630007		TUBE						.07	
20		CQ200000001		OIL WICK						.8	
21		23630007		TUBE						.38	
22		23630106		TUBE B						.23	
23		40000342		FELT						1	
24		11307006		OIL FELT PRESSER						1	
25		RO098240100		RUBBER RING						1	
26		RO195240100		RUBBER RING						1	
27		SS4121015SP		SCREW 3/16-28 L=10						2	
28		SS4121015SP		SCREW 3/16-28 L=10						10	
29		SS6090620TP		SCREW						1	
30		23630205		SCREW						1	
31		WP0501016SD		WASHER 5X10.5X1						2	
32		WS0510002KP		SPRING WASHER 5.1X9.2X1.3						2	
33		23628209		OIL ADJUSTING SCREW						1	
34		RO029180100		RUBBER RING						1	
35		23628803		PLUNGER						1	
36		23628902		PLUNGER SPRING						1	
37		23629009		PLUNGER SCREW						1	
38		RO068190100		RUBBER RING						1	
39		40000344		LUBRICATING INLET CAP						1	
40		CQ200000001		OIL WICK						.25	
41		RO048190100		RUBBER RING						1	
42		SS4120615SP		SCREW 3/16-28 L=6						2	
43		23630452		OIL FILTER ASM.						1	
44		23630601		OIL FILTER JOINT					*	2	
45		23630007		TUBE					*	0.09	
46		23630106		TUBE B					*	0.04	

OIL LUBRICATION COMPONENTS

No.	Supply Code	Parts No.	Replacement	Parts name	Remarks	Choice	Step	Level	Cons	Qty	Rep. QTY
47		23629405		PIPE STOPPER B				*		2	
48	R	23630403	23630650	OIL FILTER				*		1	1.00
49	R	23630502	23630650	OIL FILTER STOPPER				*		1	1.00
50		40024644		MAGNET WASHER						1	
51		ST4040821SS		TAPPING SCREW						1	
52		23604705		MAGNET						1	

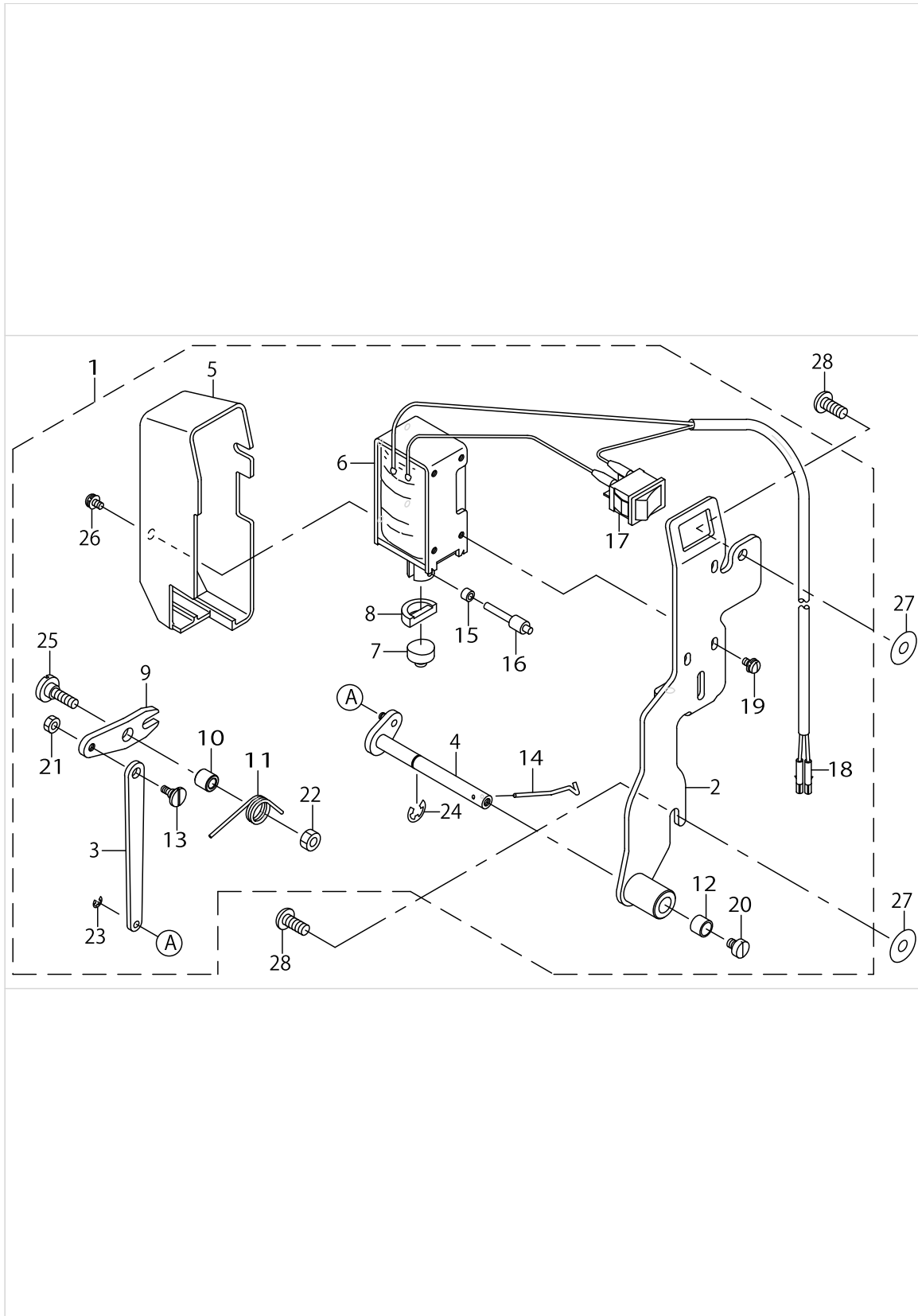
AUTOMATIC REVERSE FEED COMPONENTS



AUTOMATIC REVERSE FEED COMPONENTS

No.	Supply Code	Parts No.	Replacement	Parts name	Remarks	Choice	Step	Level	Cons	Qty	Rep. QTY
1		40109068		REVERSE FEED SOLENOID BASE ASM.						1	
2	R	40109067	40109068	REVERSE FEED SOLENOID				*		1	1.00
3		40108064		REVERSE FEED SOLENOID PLUNGER				*		1	
4		HK03464000B		PIN CONTACT				*		2	
5		D2468555B00		RUBBER PLUNGER				*		1	
6		23631203		REVERSE FEED SOLENOID BASE				*		1	
7		RE120000K0		E-RING 12				*		1	
8		SS7110740TP		SCREW 11/64-40 L=7				*		4	
9		WP1703001SC		WASHER 17X30X3				*		1	
10		23631302		REVERSE FEED ARM						1	
11		40000349		REVERSE FEED SWITCH ASM.						1	
12		23631708		REVERSE FEED SWITCH COVER				*		1	
13		23631807		REVERSE FEED SWITCH SHAFT				*		1	
14		23631906		REVERSE FEED SWITCH SUPPORT				*		1	
15		40000350		REVERSE FEED SWITCH BASE				*		1	
16		23632102		REVERSE FEED SWITCH BASE GUIDE				*		1	
17	R	23632359	23631757	REVERSE FEED CORD ASM.				*		1	1.00
18		EA9500B0100		CABLE BAND				*		1	
19		SS7110740TP		SCREW 11/64-40 L=7				*		1	
20		40000380		OPTIONAL SWITCH WHOLE ASM.	OPTIONAL PARTS					1	
21		40000381		OPTIONAL SWITCH WHOLE ASM.				*		1	
22		23631708		REVERSE FEED SWITCH COVER				*		1	
23		23631807		REVERSE FEED SWITCH SHAFT				*		1	
24		23631906		REVERSE FEED SWITCH SUPPORT				*		1	
25		40000350		REVERSE FEED SWITCH BASE				*		1	
26		23632102		REVERSE FEED SWITCH BASE GUIDE				*		1	
27		23632250		REVERSE FEED CORD ASM.				*		1	
28		EA9500B0100		CABLE BAND				*		1	
29		SS7110740TP		SCREW 11/64-40 L=7				*		1	
30		SS4120915SP		SCREW 3/16-28 L=9				*		2	
31		WP0501016SD		WASHER 5X10.5X1				*		2	
32		SD0951501SP		HINGE SCREW D=9.53 H=15						1	
33		SS4120915SP		SCREW 3/16-28 L=9						2	
34		SS4150915SP		SCREW 15/64-28 L=9						2	
35		WP0501016SD		WASHER 5X10.5X1						2	
36		40000351		REVERSE FEED BASE						1	
37		SS4151415SP		SCREW 15/64-28 L=14						2	
38		22962906		PLUNGER ARM PIN						1	
39		NS6110350SP		NUT 11/64-40						2	

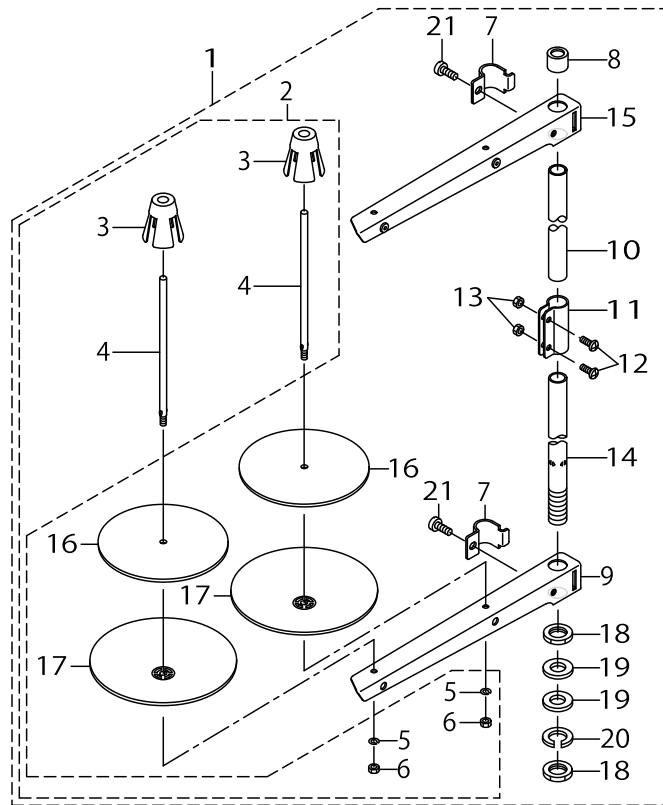
WIPER COMPONENTS



WIPER COMPONENTS

No.	Supply Code	Parts No.	Replacement	Parts name	Remarks	Choice	Step	Level	Cons	Qty	Rep. QTY
1		40000355		WIPER ASM.						1	
2		40000356		WIPER BASE COMPL.				*		1	
3		40000358		WIPER LINK B				*		1	
4		40000359		WIPERSHAFTCOMPL.				*		1	
5		22955504		WIPER COVER				*		1	
6		40106938		WIPER SOLENOID ASM.				*		1	
7		22955900		WIPER RUBBER A				*		1	
8		22956007		WIPER RUBBER B				*		1	
9		22956106		WIPER LINK A				*		1	
10		22956205		WIPER HINGE SCREW COLLAR				*		1	
11		22956304		WIPER SPRING				*		1	
12		22956809		WIPER COLLAR				*		1	
13		22956908		WIPER LINK B HINGE SCREW				*		1	
14		40000361		WIPER				*	☆	1	
15		22957203		WIPER LINK COLLAR				*		1	
16		22957104		WIPER SOLENOID SHAFT				*		1	
17		HA00600000A		SWITCH				*		1	
18		HK03464000B		PIN CONTACT				*		2	
19		SL4030641SE		SCREW				*		3	
20		SS6090540SP		SCREW 9/64-40 L=5.0				*		1	
21		NS6090310SP		NUT 9/64-40				*		1	
22		NS6110310SP		NUT 11/64-40				*		1	
23		RE0250000K0		E-RING 2.5				*		1	
24		RE0500000K0		E-RING 5				*		1	
25		SD0650321TP		HINGE SCREW D=6.5 H=3.2				*		1	
26		SL4030631SC		SCREW M3X6				*		1	
27		WP0553216SD		WASHER						2	
28		SS4121215SP		SCREW 3/16-28 L=12						2	

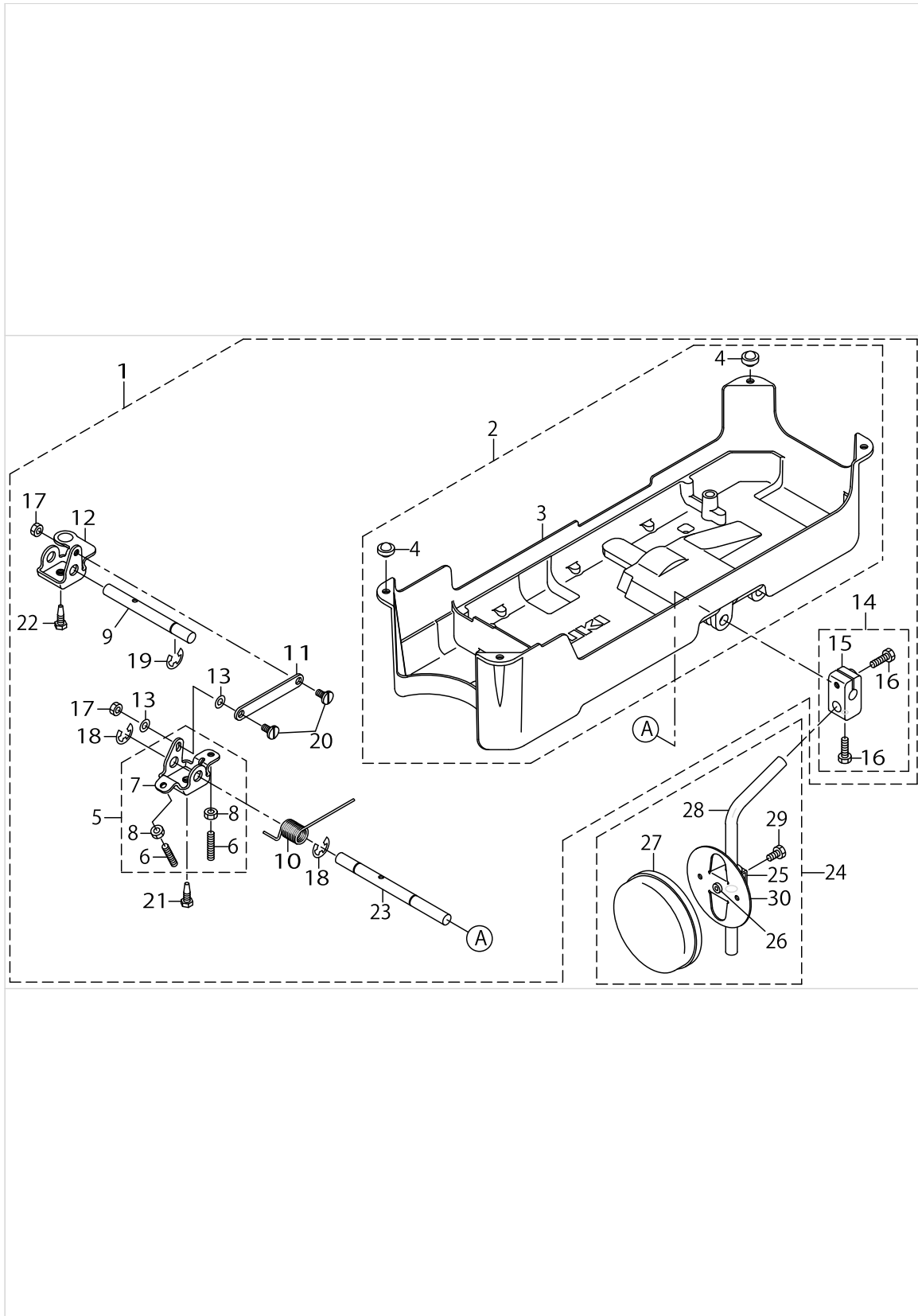
THREAD STAND COMPONENTS



THREAD STAND COMPONENTS

No.	Supply Code	Parts No.	Replacement	Parts name	Remarks	Choice	Step	Level	Cons	Qty	Rep. QTY
1	R	22930358	40096354	THREAD STAND ASM.						1	1.00
2		40062684		SPOOL PIN ASM.				*		1	
3	R	22931109	40085791	SPOOL RETAINER				*		2	1.00
4	R	22931000	40085790	SPOOL PIN				*		2	1.00
5		WS0510002KN		SPRING WASHER				*		2	
6		NM6050001SE		NUT M5				*		2	
7	R	22930705	40096354	THREAD GUIDE ARM JOINT				*		2	1.00
8		22931406		SPOOL REST ROD RUBBER CAP				*		1	
9	R	22930507	40096354	SPOOL REST ARM				*		1	1.00
10	R	22930408	40096354	SPOOL REST ROD, UPPER				*		1	1.00
11	R	22931307	40096354	SPOOL REST ROD JOINT				*		1	1.00
12		SM4051405SE		SCREW M5 L=14				*		2	
13		NM6050001SE		NUT M5				*		2	
14	R	22930309	40096354	SPOOL REST ROD, LOWER				*		1	1.00
15	R	22930556	40096354	THREAD STANDING ARM ASM.				*		1	1.00
16		22930903		SPOOL REST CUSHION				*		2	
17		22930804		SPOOL REST				*		2	
18		NM6160511SE		NUT M16X1.5				*		2	
19		WP1612616SE		WASHER 16X30X2.6				*		2	
20	R	WS1643202KR	WP1612616SE	SPRING WASHER 16.4X26.6X3.2		A		*		1	2.00
20	R	WS1643202KR	40085796	SPRING WASHER 16.4X26.6X3.2		A		*		1	2.00
21		SM6061610SC		SCREW M6 L=16				*		2	

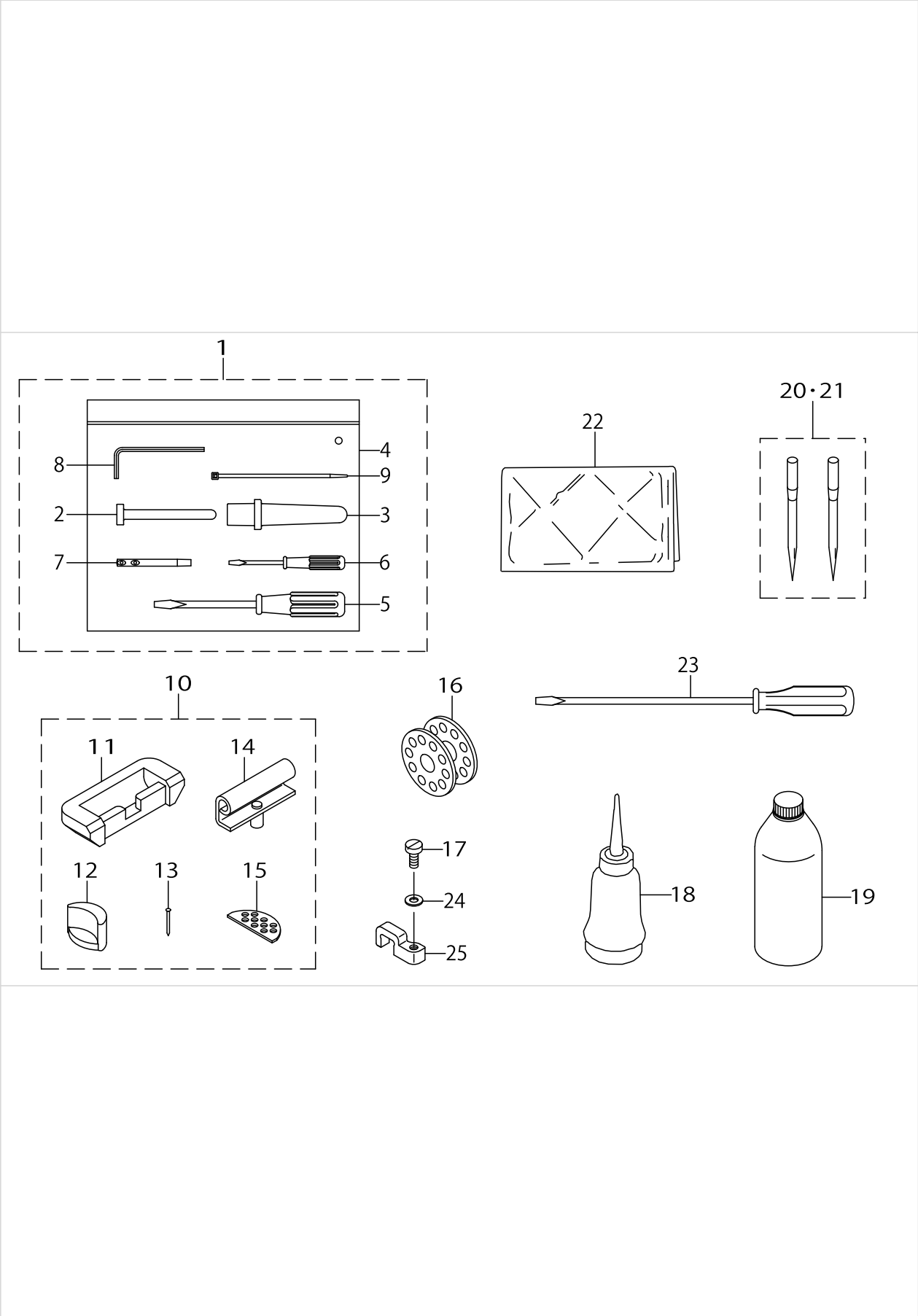
UNDER COVER COMPONENTS



UNDER COVER COMPONENTS

No.	Supply Code	Parts No.	Replacement	Parts name	Remarks	Choice	Step	Level	Cons	Qty	Rep. QTY
1		40062321		UNDERCOVERAASM.						1	
2	R	40062323	40062322	UNDERCOVERBASM.	FOR GENERAL EXPO-RT,JE,JA (TYPE AK)			*		1	1.00
3	R	23639008	40062321	UNDER COVER				*		1	1.00
4		B1116210D00		FRAME SUPPORT RUBBER				*		4	
5		23639156		BRACKET ASM.				*		1	
6		SM8063012TR		SCREW M6 L=30				*		2	
7	R	23639107	23639156	BRACKET				*		1	1.00
8		NM6060001SE		NUT M6				*		2	
9		23639404		SHAFT				*		1	
10		23639503		SPRING				*		1	
11		23639602		CONNECTING ROD				*		1	
12		23639206		CONNECTING ROT				*		1	
13		WP0650876SD		WASHER 6.5X13X0.8				*		2	
14		22932453		BRACKET ASM.				*		1	
15	R	22932404	22932453	BRACKET				*		1	1.00
16	R	SM9062053SR	22934707	SCREW M6 L=20				*		2	1.00
17		NS6150310SP		NUT 15/64-28				*		2	
18		RE1000000K0		E-RING 10				*		2	
19		RE1000000K0		E-RING 10				*		1	
20		SD0720331SP		HINGE SCREW D=7.24 H=3.3				*		2	
21		SM9061853SR		SCREW M6 L=17.5				*		1	
22		SM9061853SR		SCREW M6 L=17.5				*		1	
23		23639305		KNEE PRESS ROD				*		1	
24		22934251		KNEE PAD PLATE ASM.				*		1	
25		22934301		KNEE PAD PLATE SUPPORT				*		1	
26		22934400		KNEE PAD PLATE RUBBER				*		1	
27		22934509		KNEE PAD PLATE COVER				*		1	
28		22934608		KNEE PAD UPRIGHT SHAFT				*		1	
29		SM9061203SE		SCREW M6 L=12				*		1	
30		22934202		KNEE PAD PLATE				*		1	

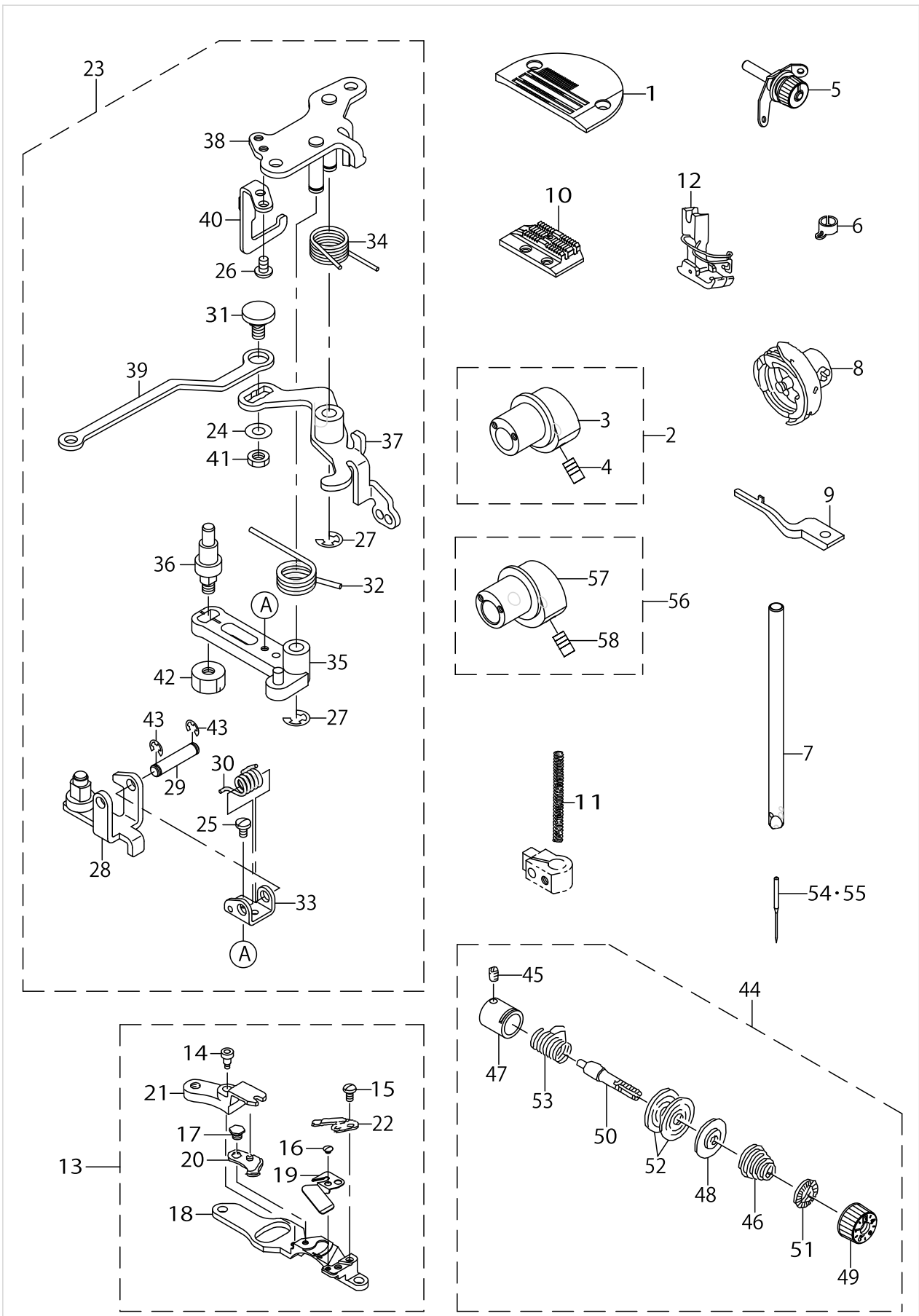
ACCESSORIE PARTS COMPONENTS



ACCESSORIE PARTS COMPONENTS

No.	Supply Code	Parts No.	Replacement	Parts name	Remarks	Choice	Step	Level	Cons	Qty	Rep. QTY
1		40037484		ACCESSORIE BAG ASM.						1	
2		23639701		KNEE LIFTER PRESSER ROD				*		1	
3		22931604		FRAME SUPPORT BAR				*		1	
4		22932800		ACCESSORIE BAG				*		1	
5		22933105		SCREW DRIVER,MIDDLE				*		1	
6		22933204		SCREW DRIVER,SMALL				*		1	
7		22958300		NEEDLE THREAD GUIDE PIN				*		1	
8		40055591		HEXAGONAL WRENCH KYE				*		1	
9		EA9500B0100		CABLE BAND				*		1	
10		22958052		RUBBER HINGE ASM.						1	
11	R	22926000	22958052	RUBBER CUSHION				*		2	1.00
12	R	22958003	11075900	FRAME BUBBER CUSHION				*		2	1.00
13	D	22926208		NAIL				*		8	
14	R	22926356	22958052	HINGE COMPL.				*		2	1.00
15	R	22926505	D8226555E00	WASHER				*		2	1.00
16		22932909		BOBBIN					☆	1	
17		SS6121220TP		SCREW 3/16-28 L=11.5						1	
18		B91210120A0		OILER ASM.						1	
19		MDFRX1600C0		DEFRIX OIL NO.1(600CC)					☆	1	
20	D	MDB100B1402		NEEDLE DBX1#14-2	FOR DLN-9010SS					1	
21	R	MC200500902	MC200500900	NEEDLE 134 #90-2	FOR DLN-- 9010SS(JE)					1	1.00
22	R	40070090	40135803	HEAD COVER						1	1.00
23		22933006		SCREW DRIVER,LARGE						1	
24		WP0501016SD		WASHER 5X10.5X1						1	
25		40000290		ROCKING BASE SUPPORT						1	

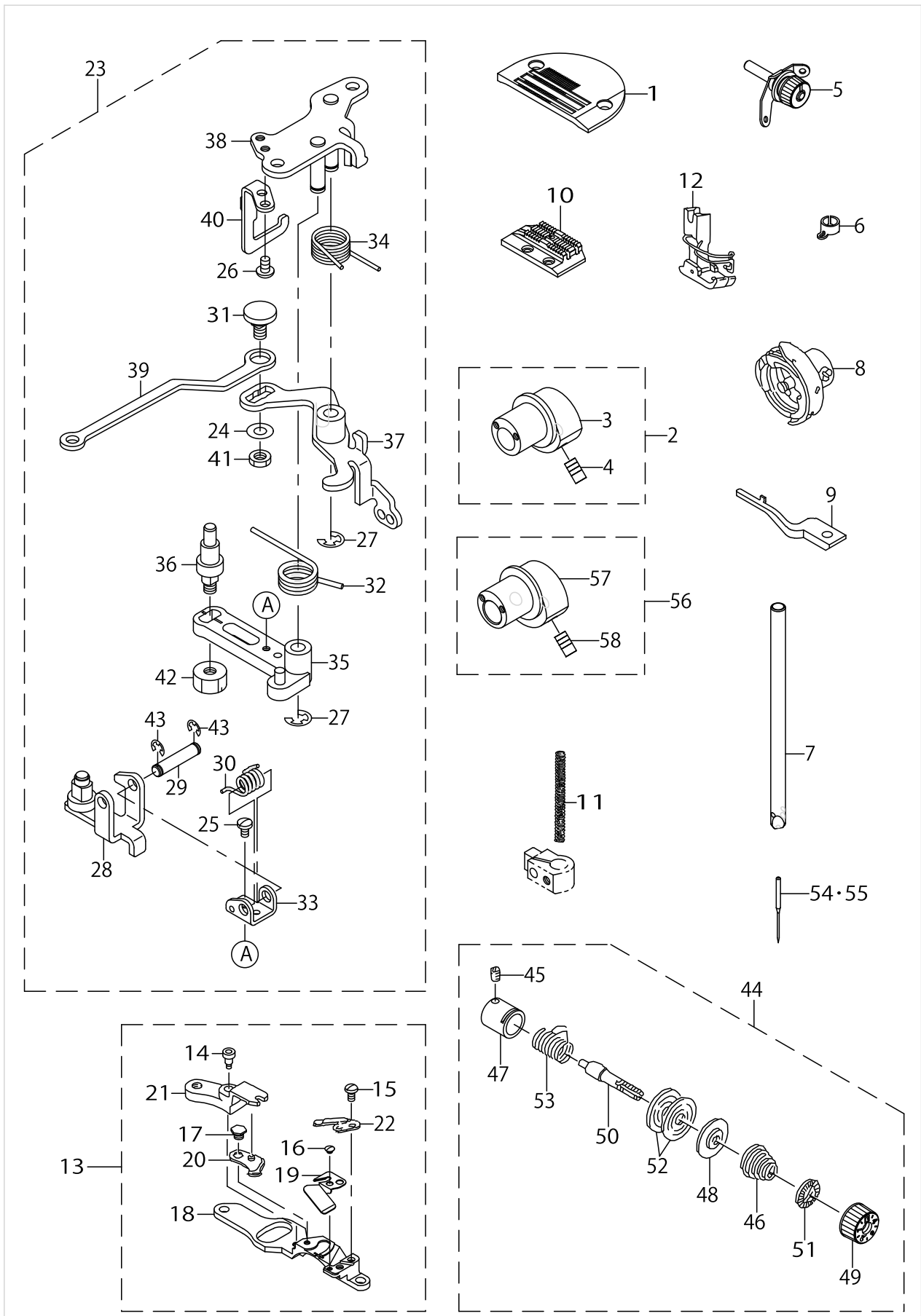
EXCLUSIVE PARTS FOR DLN-9010ASH-WB, -0B



EXCLUSIVE PARTS FOR DLN-9010ASH-WB, -0B

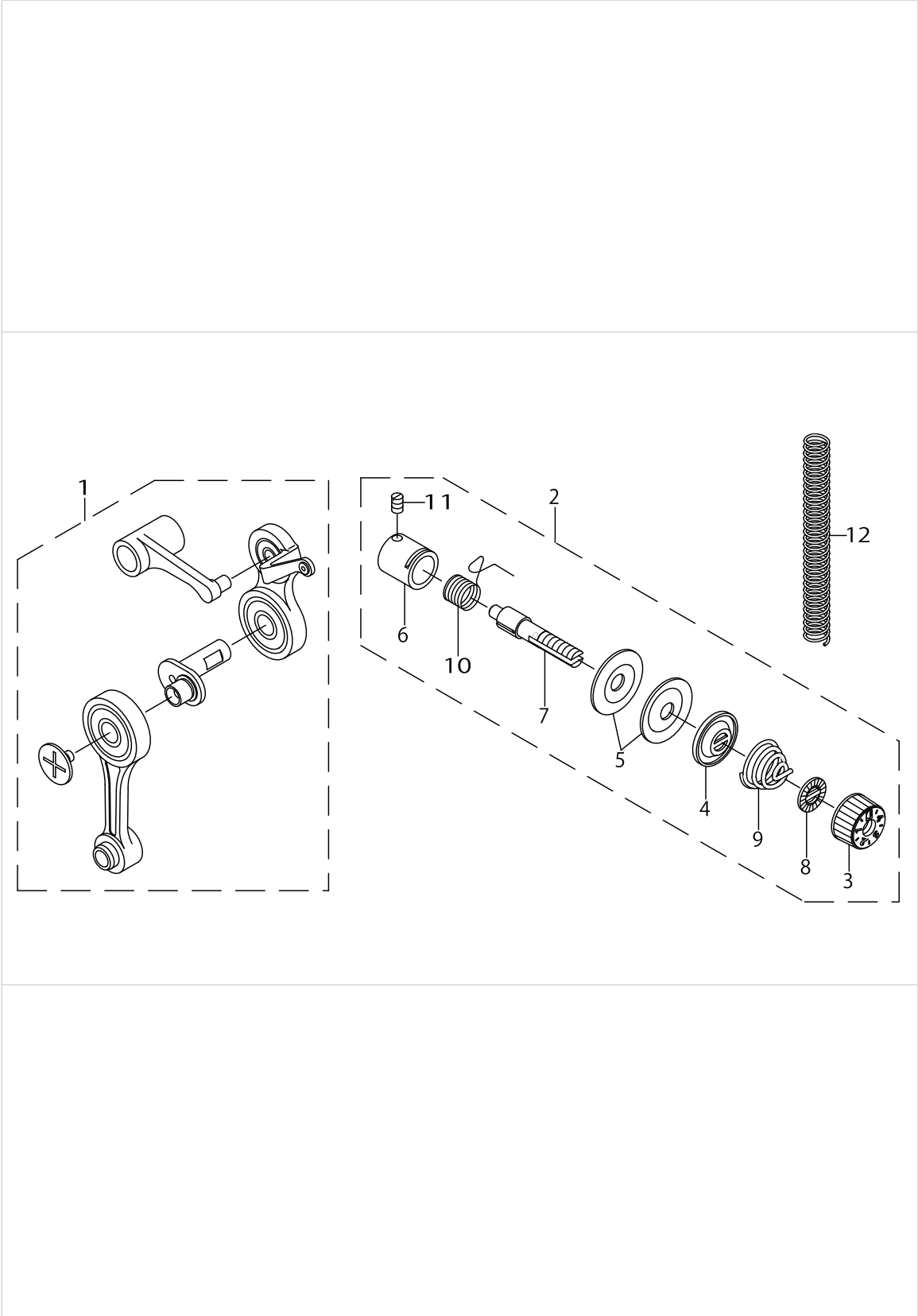
No.	Supply Code	Parts No.	Replacement	Parts name	Remarks	Choice	Step	Level	Cons	Qty	Rep. QTY
1		B1109415H0B		THROAT PLATE (H)						1	
2		40000391		VERTICAL FEED CAM ASM. 5	OPTIONAL PARTS					1	
3	R	40000392	40000391	VERTICAL FEED CAM 5				*		1	1.00
4		SS8151150TP		SCREW 15/64-28 L=10.5				*		2	
5		22963458		THREAD TENSION ASM.						1	
6		40024124		NEEDLE BAR THREAD GUIDE					☆	1	
7		40000396		NEEDLE BAR H						1	
8		11321452		LUBRICATING BOBBIN ASM.					☆	1	
9		23646003		POSITIONING FINGER H					☆	1	
10		11322203		FEED DOG, H					☆	1	
11		B1505552000A		PRESSER SPRING						1	
12		B1524041EB0		PRESSER FOOT ASM.						1	
13		23645252		KNIFE UNIT H						1	
14		SD0460703TP		HINGE SCREW D=4.6 H=7				*		1	
15		SS4080620TP		SCREW 1/8-44 L=6				*		2	
16		SS2060210SP		SCREW 3/32-56 L=2.3				*	☆	1	
17		SD0500131TP		HINGE SCREW D=5 H=1.25				*		1	
18		23645203		KNIFE INSTALLING BASE H				*		1	
19		23645401		THREAD GUIDE FOR KNIFE H				*	☆	1	
20		11409257		MOVING KNIFE J.ASM.				*	☆	1	
21		11095601		KNIFE BRANCH				*		1	
22		11409604		FIX KNIFE				*	☆	1	
23		23623176		THREAD TRIMMER DRIVING UNIT H						1	
24		WP0621016SH		WASHER				*		1	
25		SS7090610SP		SCREW 9/64-40 L=6				*		1	
26		SS4110715SP		SCREW 11/64-40 L=7				*		2	
27		RE0600000K0		E-RING 6				*		2	
28		11040953		ROLLER ARM ASM.				*		1	
29		22949101		ROLLER FULCRUM SHAFT				*		1	
30		22949200		ROLLER RETURN SPRING				*		1	
31		22950000		PICKER LINK PIN				*		1	
32		22949309		KNIFE RETURN SPRING B				*		1	
33		11094307		ROLLER ARM BRACKET				*		1	
34		11094406		SPRING				*		1	
35		23623150		KNIFE DRIVING ARM ASM.				*		1	
36		23623200		MOVING KNIFE LINK PIN				*		1	
37		23623358		CLUTCH PLATE ASM.				*		1	
38		23623556		BASE PLATE ASM.				*		1	
39		23623705		PICKER LINK				*		1	
40		23623804		DRIVING ARM STOPPER				*		1	
41		NS6150310SP		NUT 15/64-28				*		1	
42		NS6150810SP		NUT 15/64-28				*		1	
43		RE0400000K0		E-RING 4				*		2	
44		23626062		THREAD TENSION ASM. ,H						1	
45		SS8090670SP		SCREW 9/64-40 L=5.5				*		1	
46	R	22962005	B3114232000	THREAD TENSION SPRING				*		1	1.00

EXCLUSIVE PARTS FOR DLN-9010ASH-WB, -0B



EXCLUSIVE PARTS FOR DLN-9010ASH-WB, -0B

No.	Supply Code	Parts No.	Replacement	Parts name	Remarks	Choice	Step	Level	Cons	Qty	Rep. QTY
47		22945307		THREAD TENSION POST BASE				*		1	
48		22921803		DISK STOPPER				*		1	
49		23626005		THREAD TENSION NUT				*		1	
50		22921209		THREAD TENSION POST				*		1	
51		22921407		ROTATION STOPPER				*		1	
52		22921506		THREAD TENSION DISK				*		2	
53		22921605		THREAD TAKE-UP SPRING				*	☆	1	
54		MDB100B2100		NEEDLE DBX1 #21	FOR GENERAL EXPORT,JA				☆	1	
55		MC200501300		NEEDLE 134 NM130	FOR JE				☆	1	
56		23619059		VERTICAL FEED CAM H ASM.						1	
57	R	23619000	23619059	VERTICAL FEED CAM H				*		1	1.00
58		SS8151150TP		SCREW 15/64-28 L=10.5				*		2	



EXCLUSIVE PARTS FOR DLN-9010ASB-WB, -0B

No.	Supply Code	Parts No.	Replacement	Parts name	Remarks	Choice	Step	Level	Cons	Qty	Rep. QTY
1		40037439		THREAD TAKE UP COMP.A						1	
2		23626062		THREAD TENSION ASM. ,H						1	
3		23626005		THREAD TENSION NUT				*		1	
4		22921803		DISK STOPPER				*		1	
5		22921506		THREAD TENSION DISK				*		2	
6		22945307		THREAD TENSION POST BASE				*		1	
7		22921209		THREAD TENSION POST				*		1	
8		22921407		ROTATION STOPPER				*		1	
9	R	22962005	B3114232000	THREAD TENSION SPRING				*		1	1.00
10		22921605		THREAD TAKE-UP SPRING				*	☆	1	
11		SS8090670SP		SCREW 9/64-40L=5.5				*		1	
12		B1505227T00A		PRESSER SPRING T						1	

TABLE & STAND COMPONENTS

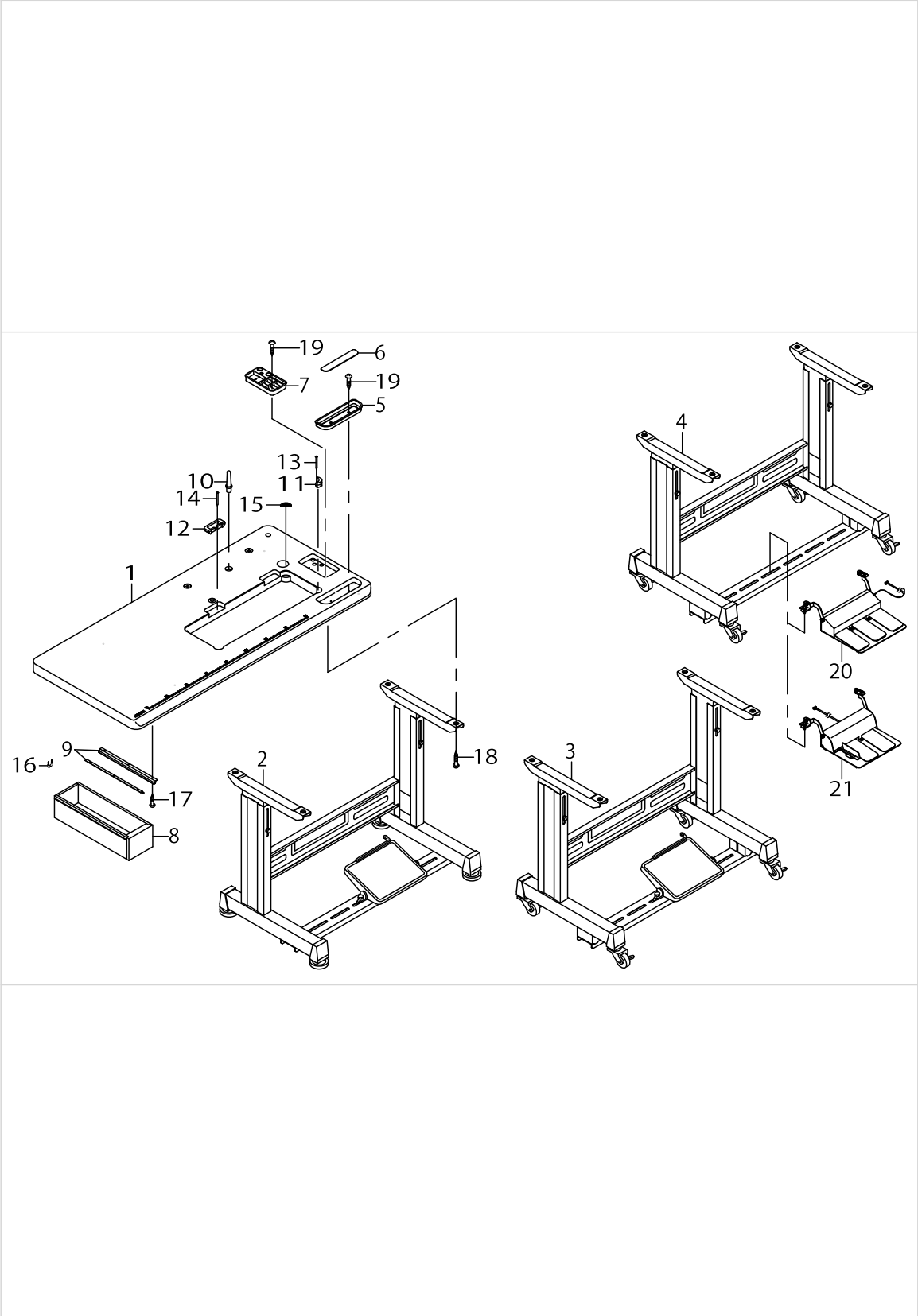


TABLE & STAND COMPONENTS

No.	Supply Code	Parts No.	Replacement	Parts name	Remarks	Choice	Step	Level	Cons	Qty	Rep. QTY
1	R	23642200	23642259	TABLE						1	1.00
2		11157567		T LEG JUNCTION	FOR JT-D950					1	
3		11159365		T STAND JUNCTION	FOR JT-D952					1	
4		11159357		T-STAND ASM.	FOR JT-D-95J,-D95K					1	
5		11156007		CASE						1	
6		11155801		CASE MAGNET						1	
7		11155751		CASE ASM. B						1	
8	R	11155108	11155157	DRAWER						1	1.00
9		11155207		DRAWER SUPPORT						2	
10	R	11073103	22931604	RUBBER CUSHION	EXCEPT TYPE AK					1	1.00
11		11075900		RUBBER SPACER						2	
12		11075801		RUBBER SPACER						2	
13		B8210012000		CUSHION SET NAIL						4	
14		B8210012000		CUSHION SET NAIL						4	
15		D8226555E00		FRAME RUBBER CUSHION A						2	
16		D8204555D00		DRAWER STOPPER						1	
17		SK3311600SE		WOOD SCREW D=3.1 L=16						6	
18	R	SK3513200SC	SK3513201SE	WOOD SCREW D=5.1 L=32						4	1.00
19		SK3382001SC		WOOD SCREW D=3.8 L=20						4	
20		GPK700010A0		3-JOINT PEDAL, 70	FOR JT-D-95J,-D95K					1	
21		GPK710010A0		2-PEDAL ASM., 71	FOR JT-D-95J,-D95K					1	

HOW TO MAKE USE OF THIS PARTS LIST

1.Explanation of codes

1)"*"mark.....means this part is changed from the previous parts book.

As to the details of the change, refer to the "List for information of change".

2)"#01".....refer to "Note" explanation at bottom of page.

2.Codes on the "Qty" column

- Each numeral indicates the number of parts required.
- "0.1" and "2.5" indicate the length (in meters) of the respective parts.

3.Parentheses mean that the corresponding part is a subpart that constructs an assembly part.

4.Dotted lines on the Figures indicate assembly parts.

5.As to the parts with marks of "☆"(consumable parts) and "◎"(optional parts)on the respective parts, it is recommended to prepare spares.

1 ."注記"欄の記号説明

1) "*"印.....前回のパーツブックに比較して今回変更された部品を意味します。

変更内容は、"変更情報リスト"を参照してください。

2) "#01".....ページ下の"注記"の説明を参照してください。

2.数量欄の数字は、個数を表し、0.1、2.5等の数値は、長さ（単位メートル）を表します。

3.数量欄の（ ）は、組部品を構成している子部品であることを意味します。

4.イラストページの-----枠は、組構成であることを意味します。

5.リストページの"☆"（消耗部品）、"◎"（オプション部品）の印がついた部品は、予備を準備しておくことをお奨めします。

NUMERICAL INDEX OF PARTS

PART NO	PAGE	REF NO.	PART NO	PAGE	REF NO.	PART NO	PAGE	REF NO.
10502300	8	25	22901805	4	88	22930556	40	15
10548501	18	52	22902506	2	10	22930705	40	7
11015906	22	82	22902605	2	19	22930804	40	17
11038650	22	68·69·79	22902704	2	14·15	22930903	40	16
11040953	26	18	22902753	2	12·13	22931000	40	4
11040953	46	28	22904106	20	23	22931109	40	3
11043304	26	41	22904155	20	22	22931307	40	11
11043700	26	22	22906408	10	30	22931406	40	8
11072402	8	30	22906457	10	29	22931604	44	3
11073103	52	10	22907406	12	24	22932404	42	15
11075801	52	12	22907604	12	21	22932453	42	14
11075900	52	11	22907802	12	22	22932800	44	4
11094307	46	33	22908909	12	20	22932909	22	71
11094406	46	34	22911002	20	19	22932909	44	16
11095601	46	21	22911101	20	20	22933006	44	23
11141355	22	68·69·79	22911804	16	32	22933105	44	5
11155108	52	8	22912000	16	29	22933204	44	6
11155207	52	9	22912109	16	33	22934202	42	30
11155751	52	7	22916506	22	81	22934251	42	24
11155801	52	6	22916555	22	80	22934301	42	25
11156007	52	5	22920607	4	60	22934400	42	26
11157567	52	2	22921209	4	51	22934509	42	27
11159357	52	4	22921209	48	50	22934608	42	28
11159365	52	3	22921209	50	7	22944508	12	42
11214509	30	28	22921407	4	52	22945307	4	57
11232105	26	5	22921407	48	51	22945307	48	47
11244019	14	55	22921407	50	8	22945307	50	6
11300308	4	86	22921506	4	53	22945414	4	62
11300407	2	38	22921506	48	52	22945463	4	61
11301702	12	19	22921506	50	5	22945505	4	64
11305901	12	39	22921605	4	54	22945604	4	63
11306107	12	40	22921605	48	53	22945703	4	65
11307006	32	24	22921605	50	10	22945802	4	66
11313053	26	3	22921704	4	55	22949002	26	19
11321452	46	8	22921803	4	56	22949101	26	20
11322203	46	10	22921803	48	48	22949101	46	29
11409257	46	20	22921803	50	4	22949200	26	21
11409604	46	22	22926000	44	11	22949200	46	30
11433802	14	57	22926208	44	13	22949309	46	32
14113450	8	31	22926356	44	14	22949408	26	23
22890008	22	70	22926505	44	15	22950000	26	24
22891204	10	15	22930309	40	14	22950000	46	31
22901201	2	14·15	22930358	40	1	22950851	28	50
22901250	2	12·13	22930408	40	10	22950950	28	52
22901300	2	16·17	22930507	40	9	22952501	16	31

NUMERICAL INDEX OF PARTS

PART NO	PAGE	REF NO.	PART NO	PAGE	REF NO.	PART NO	PAGE	REF NO.
22954705	2	8	23611106	14	52	23620206	22	58
22955504	38	5	23612500	18	48	23620354	22	59
22955900	38	7	23612609	18	49	23620404	22	73
22956007	38	8	23612716	16	9	23620503	22	61
22956106	38	9	23612807	16	11	23620701	22	62~65
22956205	38	10	23613003	16	14	23620800	22	62~65
22956304	38	11	23613052	16	13	23620909	22	62~65
22956809	38	12	23613102	16	16	23621006	22	62~65
22956908	38	13	23613300	16	18	23621303	22	68·69·79
22957104	38	16	23613409	16	19	23622400	10	13
22957203	38	15	23613508	16	20	23623002	26	2
22958003	44	12	23613607	16	21	23623150	26	12
22958052	44	10	23613706	16	22	23623150	46	35
22958300	44	7	23613805	16	23	23623168	26	11
22962005	46	46	23613953	16	24	23623176	46	23
22962005	50	9	23614308	16	27	23623200	26	13
22962906	36	38	23614407	18	46	23623200	46	36
22963458	46	5	23616006	20	2	23623358	26	14
22972608	2	45	23616055	20	1	23623358	46	37
23600208	2	1	23616105	20	4	23623556	26	15
23600505	2	4	23616204	20	5	23623556	46	38
23600604	2	5	23616303	20	6	23623705	26	16
23600703	2	6	23616402	20	7	23623705	46	39
23600802	2	7	23616501	20	9	23623804	26	17
23601057	6	89	23616550	20	8	23623804	46	40
23601305	2	9	23616709	20	12	23623903	26	32
23604010	10	1	23616808	20	14	23624000	26	33
23604119	10	3	23616857	20	13	23624109	26	35
23604168	10	2	23616907	20	17	23624158	26	34
23604705	34	52	23617053	22	75	23624257	26	36
23605256	10	19	23618002	22	84	23624307	26	39
23607302	10	23	23618051	22	83	23624356	26	38
23609001	12	1	23618101	20	40	23624406	26	40
23609209	12	3	23618200	20	41	23624505	28	48
23609456	12	6	23618309	20	42	23624554	28	47
23609605	12	7	23618408	20	43	23626005	4	50
23609803	12	13	23618606	20	45	23626005	48	49
23609902	12	14	23618705	22	46	23626005	50	3
23610207	12	16	23618804	22	47	23626054	4	49
23610306	12	17	23619000	48	57	23626062	46	44
23610504	14	53	23619059	48	56	23626062	50	2
23610652	14	54	23619109	22	77	23626104	4	59
23610702	14	56	23619158	22	76	23628100	32	2
23610801	14	48	23620008	22	56	23628209	32	33
23611056	14	51	23620156	22	57	23628357	32	3

NUMERICAL INDEX OF PARTS

PART NO	PAGE	REF NO.	PART NO	PAGE	REF NO.	PART NO	PAGE	REF NO.
23628555	32	4	23645203	46	18	40000298	30	13
23628704	32	5	23645252	46	13	40000299	30	14
23628803	32	35	23645401	46	19	40000301	30	15
23628902	32	36	23646003	46	9	40000302	30	16
23629009	32	37	26260109	8	2	40000304	30	19
23629108	32	6	26260208	8	3	40000307	30	20
23629306	32	10	26260307	8	4	40000308	30	21
23629405	32	47	26260406	8	5	40000309	30	24
23629405	34	47	26260505	8	6	40000311	30	25
23629504	32	12	26260604	8	7	40000322	26	1
23629702	32	16	26260802	8	8	40000323	26	6
23629801	32	14	26261008	8	9	40000324	26	7
23629900	4	82	26261206	8	10	40000327	12	36
23630007	18	47	26261305	8	11	40000332	12	38
23630007	32	45	26261503	8	12	40000333	12	28
23630106	32	46	26261602	8	13	40000334	12	37
23630205	32	30	26261701	8	14	40000339	32	7
23630403	34	48	40000209	2	2	40000340	32	8
23630452	32	43	40000210	2	3	40000342	32	23
23630502	34	49	40000212	2	25	40000343	32	13
23630601	32	44	40000220	10	25-27	40000344	32	39
23631203	36	6	40000221	10	25-27	40000349	36	11
23631302	36	10	40000227	12	2	40000350	36	25
23631708	36	22	40000228	12	4	40000351	36	36
23631807	36	23	40000229	12	8	40000355	38	1
23631906	36	24	40000230	12	12	40000356	38	2
23632102	36	26	40000231	12	15	40000358	38	3
23632250	36	27	40000232	12	18	40000359	38	4
23632359	36	17	40000233	12	23	40000361	38	14
23636657	8	29	40000247	20	11	40000380	36	20
23638000	4	72	40000248	22	72	40000381	36	21
23638109	4	73	40000249	20	18	40000391	46	2
23638208	4	74	40000257	20	37	40000392	46	3
23638307	4	75	40000258	20	38	40000396	46	7
23638406	4	76	40000264	22	66	40009724	18	51
23639008	42	3	40000265	22	67	40009727	16	26
23639107	42	7	40000270	10	10	40009729	18	57
23639156	42	5	40000281	30	1	40009730	16	5
23639206	42	12	40000289	30	2	40009731	18	50
23639305	42	23	40000290	44	25	40009789	18	54
23639404	42	9	40000291	30	4	40010434	10	14
23639503	42	10	40000292	30	5	40011144	8	15
23639602	42	11	40000293	30	7	40011344	32	1
23639701	44	2	40000295	30	9	40011711	20	44
23642200	52	1	40000296	30	10	40011723	16	30

NUMERICAL INDEX OF PARTS

PART NO	PAGE	REF NO.	PART NO	PAGE	REF NO.	PART NO	PAGE	REF NO.
40011724	18	55	B1116210D00	42	4	HK03464000B	38	18
40012032	16	6	B1414555000	10	32	MC200500900	10	26·28
40013470	16	17	B1418552A00	10	38	MC200500902	44	20·21
40014837	8	16	B1505227T00A	50	12	MC200501300	48	54·55
40020454	10	33	B1505552000A	46	11	MDB100B1400	10	26·28
40020455	10	35	B1521555000	12	25	MDB100B1402	44	20·21
40022407	2	11	B1524041EB0	46	12	MDB100B2100	48	54·55
40022407	32	9	B1905541A00	30	29~32	MDFRX1600C0	44	19
40023021	8	1	B1905541B00	30	29~32	NM6040000SN	26	43
40023022	8	17	B1905541C00	30	29~32	NM6050001SE	40	13
40023289	16	28	B1905541D00	30	29~32	NM6060001SE	42	8
40023290	28	54	B2906415000	30	33	NM6160511SE	40	18
40023291	8	26	B3118552I00	4	84	NS6090310SP	4	46
40024124	46	6	B3126012000	8	32	NS6090310SP	38	21
40024644	34	50	B3538112000	2	21	NS6110310SP	16	36
40029963	20	21	B412352200A	20	28~30	NS6110310SP	38	22
40031605	22	90	B412352200B	20	28~30	NS6110350SP	36	39
40031606	22	88	B412352200C	20	28~30	NS6110530SP	8	34
40031607	22	87	B8210012000	52	14	NS6150310SP	14	47
40031608	22	86	B91210120A0	44	18	NS6150310SP	16	37
40033391	16	1	CM300200001	2	23	NS6150310SP	26	25
40033392	16	2	CM300200003	2	24	NS6150310SP	30	35
40033393	16	3	CM301300001	2	22	NS6150310SP	42	17
40037439	50	1	CM600100101	4	48	NS6150310SP	46	41
40037484	44	1	CQ200000001	32	40	NS6150430SP	30	36
40039946	10	22	CS064061ASP	12	10	NS6150810SP	26	26
40044906	10	11	CS1111101CSH	16	34	NS6150810SP	46	42
40051473	10	8	CS120101BSH	30	34	NS6620310SP	12	44
40052274	16	12	D1524415BBC	12	26	NS6660410SH	26	44
40055585	16	8	D1609415B00	20	25	NS6660430SP	26	45
40055591	44	8	D2468555B00	36	5	RC0150001KP	20	31
40061545	18	61	D7133555B00	8	33	RC0560711KP	8	18
40061560	18	59	D8204555D00	52	16	RE0250000K0	38	23
40062321	42	1	D8226555E00	52	15	RE0300000K0	12	41
40062323	42	2	EA9500B0100	4	78	RE0400000K0	8	19
40062684	40	2	EA9500B0100	10	37	RE0400000K0	26	27
40070090	44	22	EA9500B0100	36	28	RE0400000K0	46	43
40089196	10	18	EA9500B0100	44	9	RE0500000K0	12	11
40098386	4	77	GAKA1843000	12	30	RE0500000K0	16	38
40098777	4	71	GPK700010A0	52	20	RE0500000K0	38	24
40106938	38	6	GPK710010A0	52	21	RE0600000K0	26	28
40108064	36	3	HA00600000A	38	17	RE0600000K0	46	27
40109067	36	2	HK034610040	4	79	RE1000000K0	42	19
40109068	36	1	HK03464000B	26	42	RE1200000K0	36	7
B1109415H0B	46	1	HK03464000B	36	4	RO029180100	32	34

NUMERICAL INDEX OF PARTS

PART NO	PAGE	REF NO.	PART NO	PAGE	REF NO.	PART NO	PAGE	REF NO.
RO037180100	12	29	SM8050502TP	8	22	SS6090670TP	10	31
RO044240100	14	50	SM8051610SP	10	34	SS6090670TP	16	42
RO048190100	32	41	SM80608A2TP	10	24	SS6090670TP	20	54
RO068190100	32	38	SM80608A2TP	16	41	SS6090670TP	22	54
RO080150200	4	83	SM8063012TR	42	6	SS6090810TP	12	45
RO092270200	16	40	SM9061203SE	42	29	SS6110610TP	4	69
RO098240100	32	25	SM9061853SR	42	22	SS6110650TP	22	60
RO195240100	32	26	SM9062053SR	42	16	SS6110710TP	22	55
SB117000400	22	51	SS1120710SP	2	44	SS6110710TP	28	49
SB120000800	10	21	SS2060210SP	26	9	SS6111010TP	22	74
SB120001000	22	52	SS2060210SP	46	16	SS6121030SN	8	24
SB307000200	10	16	SS2110915SP	2	27	SS6121220TP	44	17
SB309000400	30	38	SS2110920TP	2	28	SS6121610SP	16	25
SB32000060A	22	48~50	SS4080620TP	20	32	SS6121610SP	20	10
SB32000060B	22	48~50	SS4080620TP	26	10	SS6121840SP	16	43
SB32000060C	22	48~50	SS4080620TP	46	15	SS6121860SP	16	44
SD0460703TP	26	8	SS4110615SP	4	81	SS6151920TP	10	17
SD0460703TP	46	14	SS4110715SP	2	67	SS6151920TP	18	45
SD0500095TH	26	4	SS4110715SP	4	67	SS6660610TP	28	51
SD0500131TP	46	17	SS4110715SP	14	46	SS6661110SP	18	58
SD0600321SP	28	55	SS4110715SP	26	58	SS7080510TP	10	36
SD0630275SP	28	56	SS4110715SP	28	58	SS7090610SP	26	30
SD0640261SP	14	59	SS4110715SP	46	26	SS7090610SP	46	25
SD0641452TP	28	57	SS4120615SP	2	90	SS7091110TP	12	33
SD0650321TP	38	25	SS4120615SP	6	90	SS7091110TP	30	3
SD0720331SP	42	20	SS4120615SP	12	43	SS7110410SP	12	32
SD0800801TP	30	26	SS4120615SP	32	42	SS7110540SP	2	36
SD0800802TP	30	27	SS4120915SP	2	33	SS7110740TP	20	36
SD0951501SP	36	32	SS4120915SP	16	7	SS7110740TP	36	29
SK3311600SE	52	17	SS4120915SP	36	33	SS7111410TP	12	35
SK3382001SC	52	19	SS4121015SP	12	31	SS7112420SP	24	91
SK3513200SC	52	18	SS4121015SP	32	28	SS7112420SP	30	40
SL4030631SC	38	26	SS4121215SP	38	28	SS7121410TP	20	15
SL4030641SE	38	19	SS4150915SP	2	35	SS7121410TP	30	22
SL6052592TN	2	26	SS4150915SP	8	27	SS7681650TP	10	4
SL6052592TN	10	7	SS4150915SP	28	60	SS8090670SP	4	58
SM4021201SC	4	80	SS4150915SP	36	34	SS8090670SP	46	45
SM4051405SE	40	12	SS4151415SP	36	37	SS8090670SP	50	11
SM5040655SN	8	20	SS6060210SP	2	18	SS8110520TP	28	53
SM6040602TP	12	9	SS6090540SP	38	20	SS8150710TP	4	70
SM6051602TP	30	6	SS6090620TP	8	28	SS8150822TP	22	89
SM6061610SC	40	21	SS6090620TP	20	34	SS8151150TP	20	85
SM6061802TP	18	60	SS6090620TP	26	37	SS8151150TP	22	85
SM8040412TP	16	4	SS6090620TP	32	29	SS8151150TP	46	58
SM8040802TP	8	21	SS6090660TP	30	39	SS8151150TP	48	58

NUMERICAL INDEX OF PARTS

PART NO	PAGE	REF NO.
SS8660330SP	16	35
SS8660610TP	10	6
SS8660610TP	20	24
SS8660612TP	16	10
SS8661012TP	20	53
SS8661012TP	22	53
SS8681650TP	10	5
ST4040821SS	34	51
TA0340201R0	30	8
TA0850604R0	2	37
TA0950806R0	4	47
TA1250406R0	2	85
TA1250406R0	4	85
TA1250705R0	2	41
TA1250804R0	2	20
TA1270502R0	2	42
TA1470704R0	2	87
TA1470704R0	4	87
WP0430800SC	26	46
WP0450826SC	8	23
WP0480856SP	14	58
WP0480856SP	20	16
WP0480856SP	30	23
WP0501016SD	12	34
WP0501016SD	32	31
WP0501016SD	36	35
WP0501016SD	44	24
WP0553216SD	38	27
WP0602016SP	30	41
WP0621016SD	14	49
WP0621016SD	30	37
WP0621016SH	26	31
WP0621016SH	46	24
WP0650876SD	42	13
WP0651001SC	12	27
WP0951016SP	18	53
WP1612616SE	40	19
WP1703001SC	36	9
WS0510002KN	40	5
WS0510002KP	16	39
WS0510002KP	32	32
WS1643202KR	40	20