

MODEL : AMS-210EN 刺繡仕様

List No : 1570-01

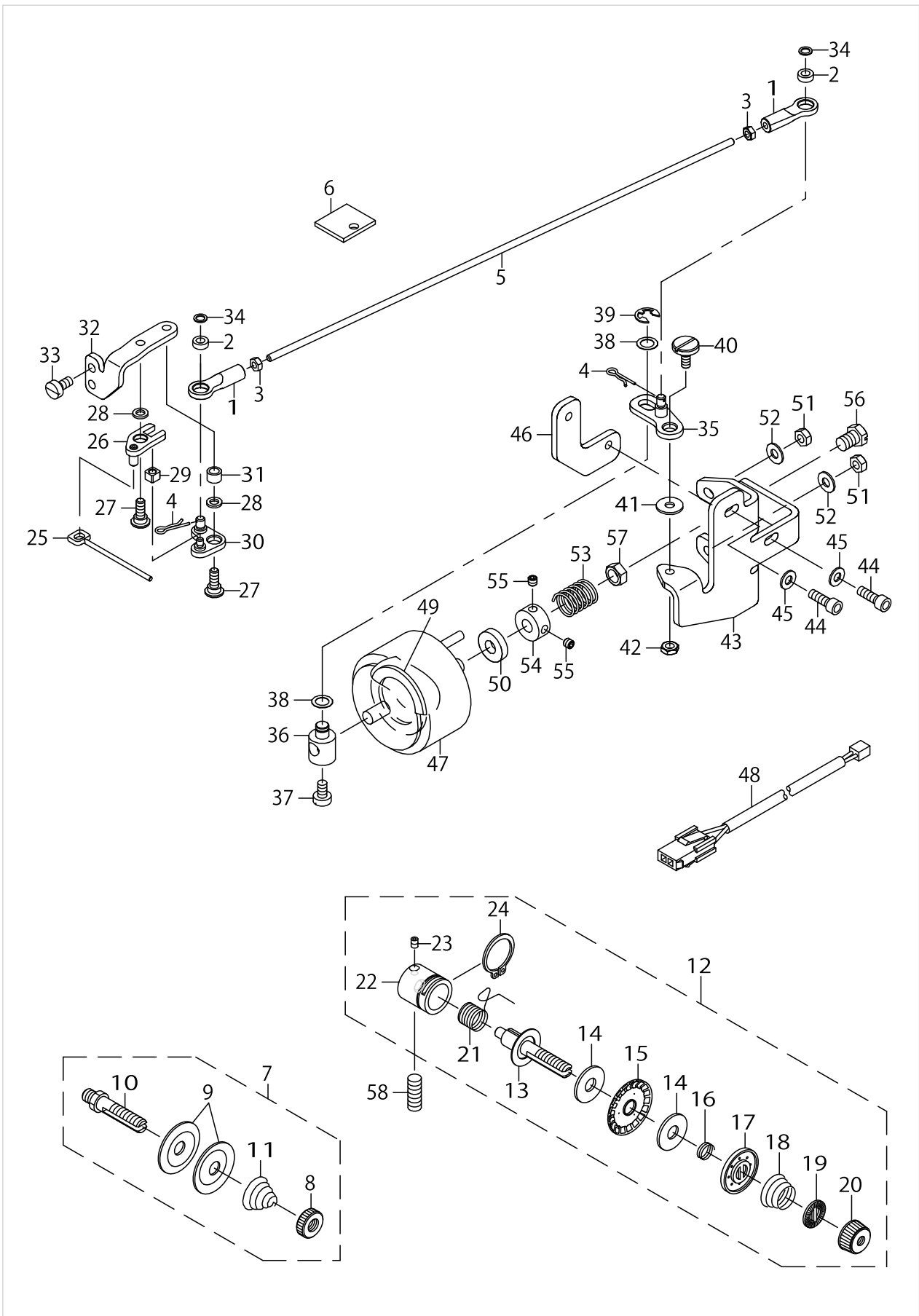
PARTS LIST

Published:05/12/2017

CONTENTS

TENSION RELEASE & THREAD TENSION COMPONENTS	1
EXCLUSIVE PARTS	5
HOW TO MAKE USE OF THIS PARTS LIST	7

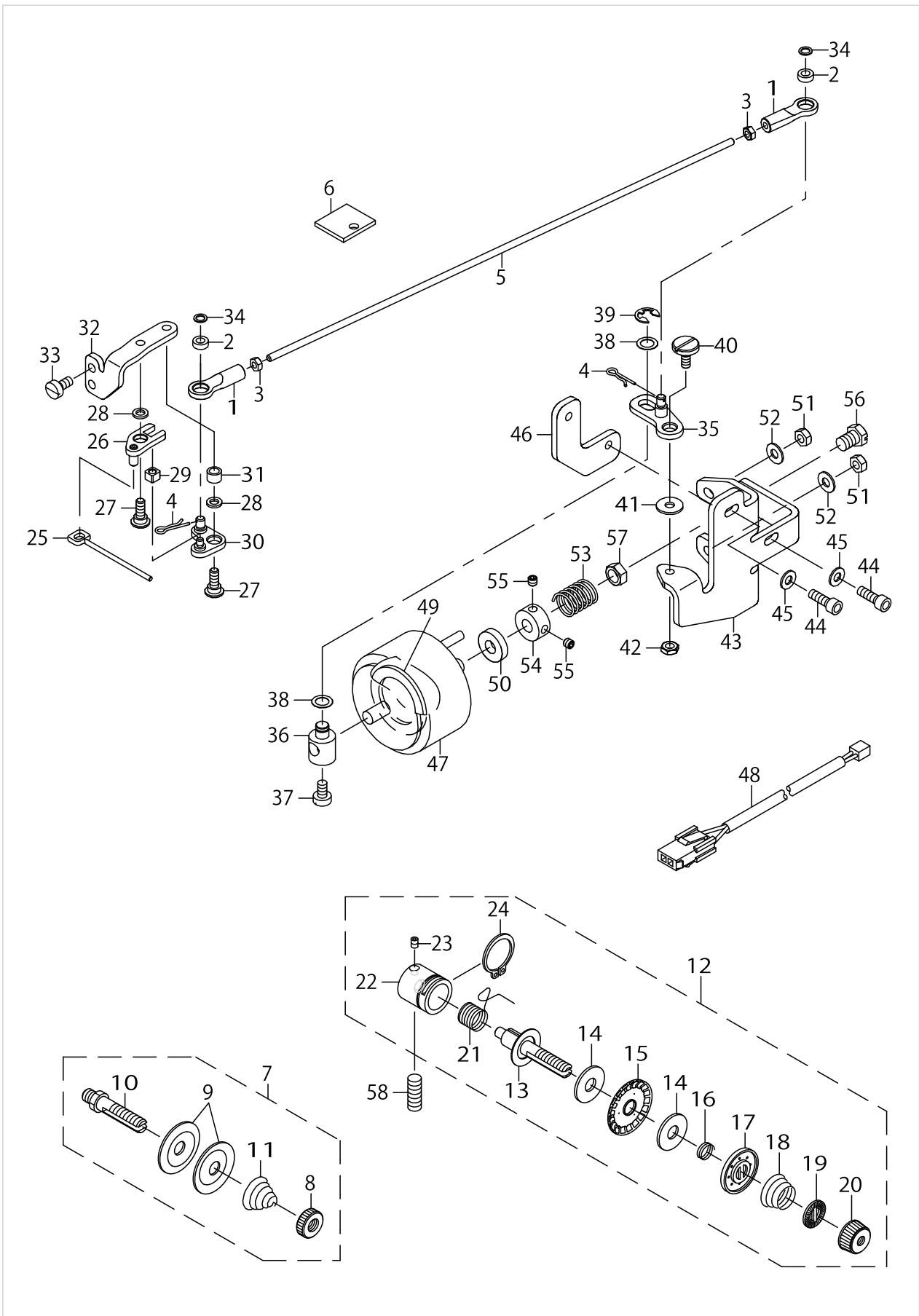
TENSION RELEASE & THREAD TENSION COMPONENTS



TENSION RELEASE & THREAD TENSION COMPONENTS

No.	Supply Code	Parts No.	Replacement	Parts name	Remarks	Choice	Step	Level	Cons	Qty	Rep. QTY
1		40010497		AT_JOINT						2	
2		40010498		AT_JOINT_BEARING						2	
3	R	40010499	NM6030001SC	AT_JOINT_NUT						2	1.00
4		40006622		AT_SNAP_PIN						2	
5		40023997		AT_CONNECTION_BAR						1	
6		40013967		AT FELT						1	
7		40010503		THREAD_TENSION_1_ASM						1	
8		22928808		NUT				*		1	
9		22921506		THREAD TENSION DISK				*		2	
10	R	40010504	40010503	THREAD_TENSION_SHAFT				*		1	1.00
11		26218602		FIRST THREAD TENSION SPRING				*		1	
12		40101523		THREAD_TENSION_NO.2_ASM						1	
13		40101540		THREAD_TENSION_POST_ASM				*		1	
14		22528509		FELT				*		2	
15		23547557		THREAD TENSION T COMPL.				*		1	
16		D2304212T0T		IDLING PREVENTION SPRING				*		1	
17		10006005		TENSION DISC HOLDER				*		1	
18	R	B3129012B00	22929004	THREAD TENSION SPRING				*		1	1.00
19		B3120125000		ROTATING STOPPER				*		1	
20		B3116125000		TENSION NUT				*		1	
21		22921605		THREAD TAKE-UP SPRING				*		1	
22		40010510		THREAD_TENSION_POST_BASE				*		1	
23		40010478		AT_SOL_COLLAR_SCREW				*		1	
24	R	40010523	40010508	POST_BASE_C_RING				*		1	1.00
25		40101524		THREAD_TENSION_SHAFT						1	
26		40101525		LINK_A_ASM						1	
27		40101527		SHOULDER_SCREW						2	
28		10523702		WASHER						2	
29		40101528		SLIDE_BLOCK						1	
30		40101529		LINK_B_ASM						1	
31		B1633210000		ROLLER						1	
32		40101532		PIVOT_BASE						1	
33		SM6040860TP		SCREW M4 L=8						2	
34		40010489		AT_PIVOT_SCREW_WASHER						2	
35		40101533		LINK_C_ASM						1	
36		40086711		SORENOID_PIN						1	
37		SS6110710TP		SCREW 11/64-40 L= 6.5						1	
38		10618304		VERTICAL ROLLER WASHER						2	
39		RE0500000K0		E-RING						1	
40		40101535		SHOULDER_SCREW						1	
41		WP0431005SP		PLAIN WASHER 4.3X12X1						1	
42		NM6040003SC		NUT M4						1	
43		40101536		SOLENOID_INSTALLING_BASE						1	
44		SM6041202TN		SCREW M4X0.7 L=12						2	
45		WP0430801SC		WASHER M4						2	
46		40101538		BASE_SET_PLATE						1	

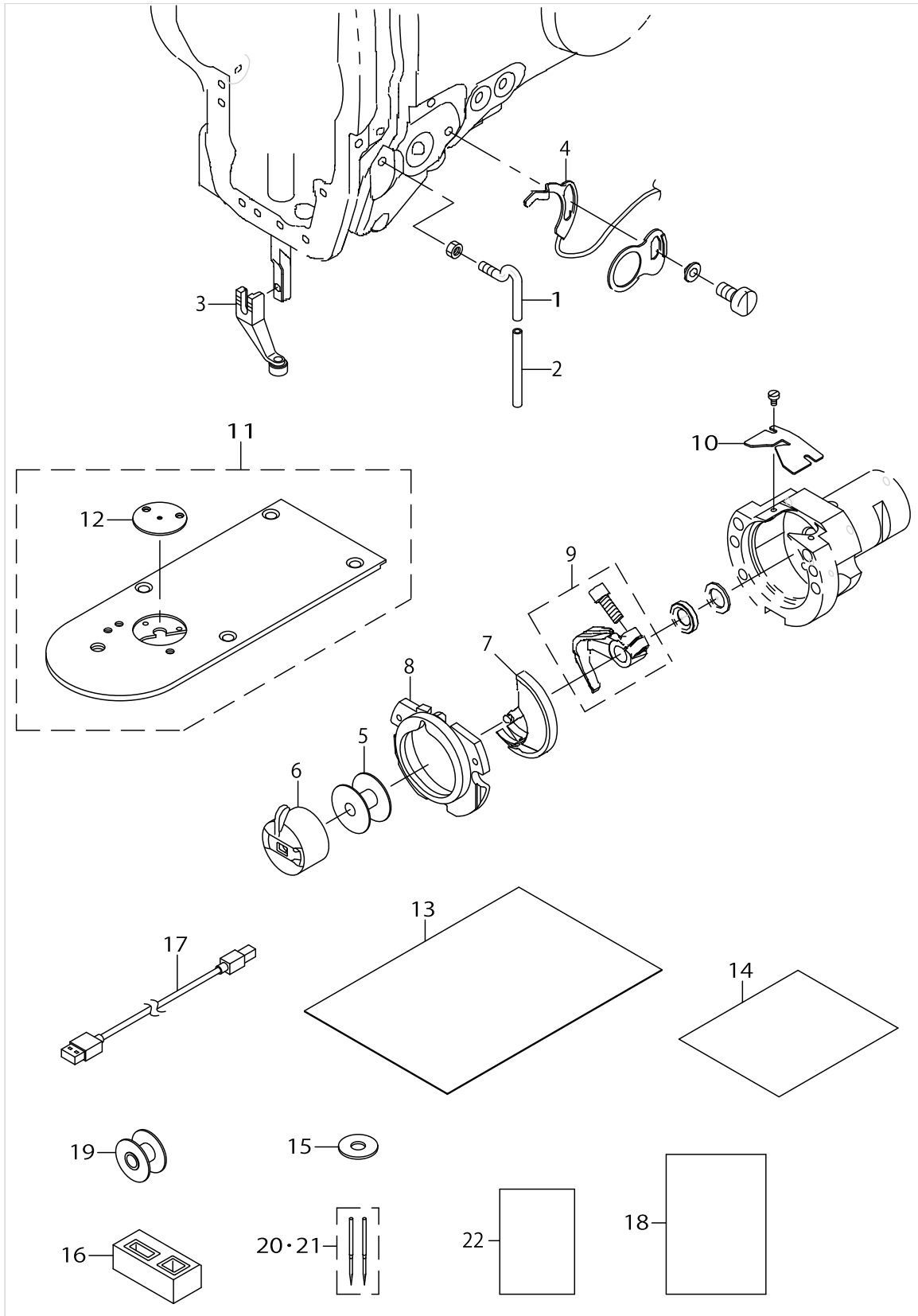
TENSION RELEASE & THREAD TENSION COMPONENTS



TENSION RELEASE & THREAD TENSION COMPONENTS

No.	Supply Code	Parts No.	Replacement	Parts name	Remarks	Choice	Step	Level	Cons	Qty	Rep. QTY
47		40101537		SOLENOID						1	
48		40105507		SOLENOID RELAY CORD ASM						1	
49		11043205		SOLENOID RUBBER A						1	
50		11043304		SOLENOID RUBBER						1	
51		NM6040000SN		NUT M4						2	
52		WP0430800SC		WASHER M4						2	
53		40089672		SPRING						1	
54		40011933		FEED_BASE_SHAFT_COLLAR						1	
55		SM8040402TP		SCREW M4X0.7 L=4						2	
56		SS9660940TP		SCREW 1/4-40 L=8.5						1	
57		NS6660430SP		NUT 1/4-40						1	
58		SM8061612TP		SCREW M6X16						1	

EXCLUSIVE PARTS



EXCLUSIVE PARTS

No.	Supply Code	Parts No.	Replacement	Parts name	Remarks	Choice	Step	Level	Cons	Qty	Rep. QTY
1		40010571		L_SHAPED_THREAD_GUIDE_A						1	
2		BT0400251EB		URETHANE HOSE, BLACK						.04	
3		D1601D10TATA		INTERMEDIATE PRESSER ASM.						1	
4		40101862		THB SENSOR CABLE ASM.						1	
5		13812102		BOBBIN						1	
6		B18289800BB		BOBBIN CASE ASM. (RACING PREVENTION)						1	
7	R	40006580	400065800A0	SHUTTLE		A				1	1.00
7	R	40006580	40110846	SHUTTLE		B				1	1.00
8		14103253		INNER HOOK PRESSER ASM., A						1	
9		40011512		DRIVER_ASM						1	
10		D1815212T0T		SPRING						1	
11		40101522		NEEDLE_PLATE_ASM.						1	
12		B242621000C		NEEDLE HOLE GUIDE D=1.6				*		1	
13		B2564223C00		SPONGE	ACCESSORY					1	
14		G6343870000		SHEET	ACCESSORY					1	
15		22528509		FELT	ACCESSORY					2	
16		40101539		CABEL_CONNECTING_BASE	ACCESSORY					1	
17		40101980		USB CABLE	ACCESSORY					1	
18		40101931		AMS-210EN 7450 MANUAL	ACCESSORY					1	
19		13812102		BOBBIN	ACCESSORY					1	
20		MDP170B1102		NEEDLE DPX17#11-2	ACCESSORY					1	
21		MDP170B0902		NEEDLE DPX17#9-2	ACCESSORY					1	
22		40101930		PM-3	OPTIONAL PARTS					1	

HOW TO MAKE USE OF THIS PARTS LIST

1.As to "#01" and "#02" refer to the "Note" given at the bottom of the respective pages.

2.Codes on the "Qty" column

- Each numeral indicates the number of parts required.
- "0.1" and "2.5" indicate the length (in meters) of the respective parts.

3.Parentheses mean that the corresponding part is a subpart that constructs an assembly part.

4.Dotted lines on the Figures indicate assembly parts.

1. リストページの# 0 1、# 0 2の印は、ページ下の"注記"の説明を参照下さい。
2. 数量欄の数字は、個数を表し、0. 1、2. 5等の数値は、長さ（単位メートル）を表します。
3. 数量欄の（ ）は、組部品を構成している子部品であることを意味します。
4. イラストページの-----枠は、組構成であることを意味します。

NUMERICAL INDEX OF PARTS

PART NO	PAGE	REF NO.	PART NO	PAGE	REF NO.
10006005	2	17	40101539	6	16
10523702	2	28	40101540	2	13
10618304	2	38	40101862	6	4
11043205	4	49	40101930	6	22
11043304	4	50	40101931	6	18
13812102	6	19	40101980	6	17
14103253	6	8	40105507	4	48
22528509	2	14	B1633210000	2	31
22528509	6	15	B18289800BB	6	6
22921506	2	9	B242621000C	6	12
22921605	2	20·21	B2564223C00	6	13
22928808	2	8	B3116125000	2	20·21
23547557	2	15	B3120125000	2	19
26218602	2	11	B3129012B00	2	18
40006580	6	7	BT0400251EB	6	2
40006622	2	4	D1601D10TATA	6	3
40010478	2	23	D1815212T0T	6	10
40010489	2	34	D2304212T0T	2	16
40010497	2	1	G6343870000	6	14
40010498	2	2	MDP170B0902	6	20·21
40010499	2	3	MDP170B1102	6	20·21
40010503	2	7	NM6040000SN	4	51
40010504	2	10	NM6040003SC	2	42
40010510	2	22	NS6660430SP	4	57
40010523	2	24	RE0500000K0	2	39
40010571	6	1	SM6040860TP	2	33
40011512	6	9	SM6041202TN	2	44
40011933	4	54	SM8040402TP	4	55
40013967	2	6	SM8061612TP	4	58
40023997	2	5	SS6110710TP	2	37
40086711	2	36	SS9660940TP	4	56
40089672	4	53	WP0430800SC	4	52
40101522	6	11	WP0430801SC	2	45
40101523	2	12	WP0431005SP	2	41
40101524	2	25			
40101525	2	26			
40101527	2	27			
40101528	2	29			
40101529	2	30			
40101532	2	32			
40101533	2	35			
40101535	2	40			
40101536	2	43			
40101537	4	47			
40101538	2	46			