

MODEL : AK-145

List No : 1569-00

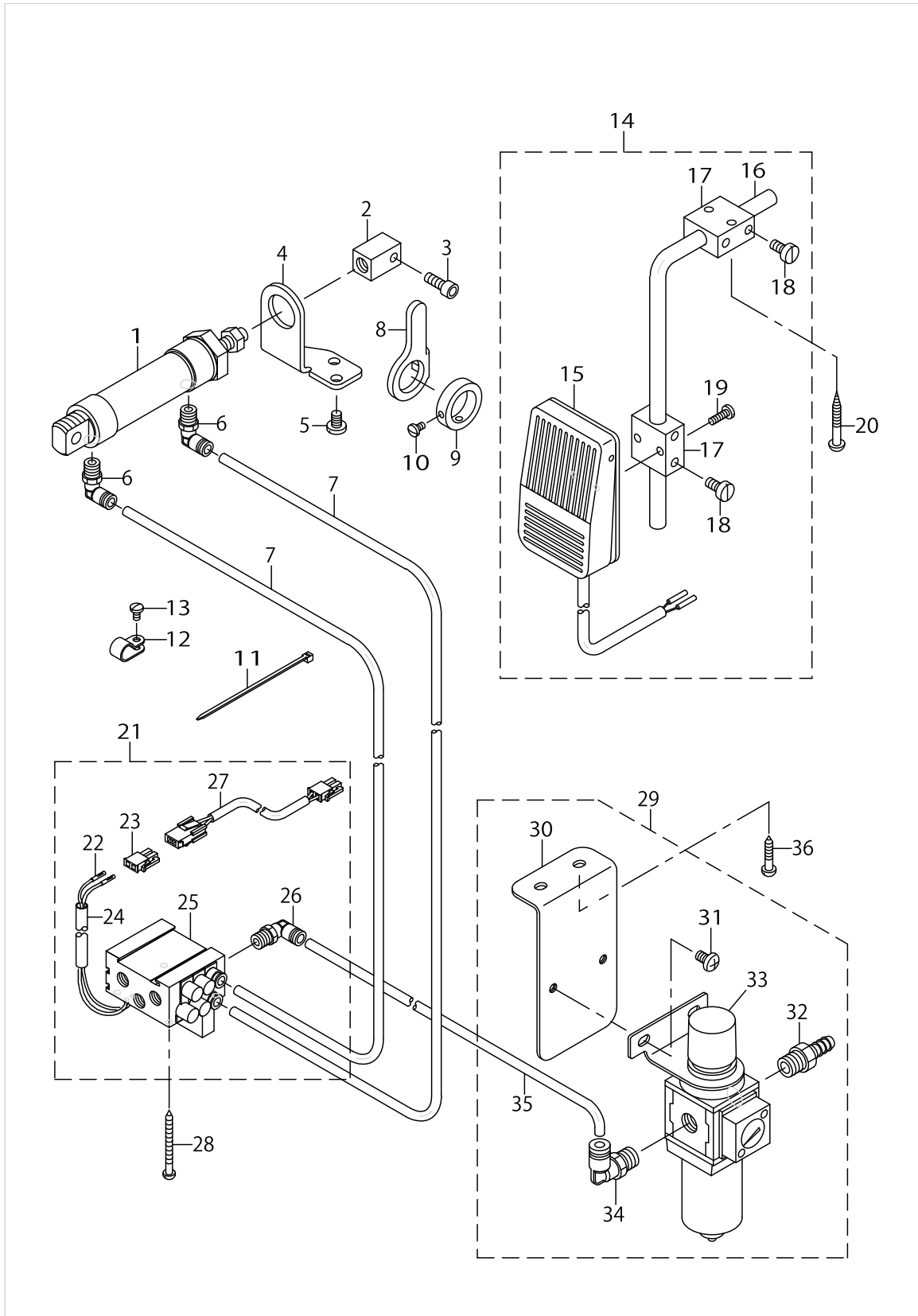
# PARTS LIST

Published:05/12/2017

## CONTENTS

---

AK-145 .....	1
HOW TO MAKE USE OF THIS PARTS LIST .....	3



AK-145

No.	Supply Code	Parts No.	Replacement	Parts name	Remarks	Choice	Step	Level	Cons	Qty	Rep. QTY
1		PA2502503A0		CYLINDER ASM.						1	
2		10090009		CYLINDER BLOCK						1	
3		SS6151612TP		SCREW						1	
4		10090108		CYLINDER SUPPORT						1	
5		SS7150910TP		SCREW 15/64-28 L=9						2	
6		GAK29010000		ELBOW B						2	
7		BT0600401EB		TUBE						2	
8		10090306		PRESSER BAR LIFTING ARM						1	
9		10090405		PRESSER BAR LIFTING RING						1	
10		SS7110710SP		SCREW 11/64-40 L=7						2	
11		GES12153000		OIL WICK HOLDER						1	
12		MAZ02508000		CORD HOLDER						4	
13		SS7110710SP		SCREW 11/64-40 L=7						2	
14		40025036		KNEE SWITCH ASM.	FOR AK-145C					1	
15		40025035		KNEE SWITCH ASM.				*		1	
16		MAT80231T00		DRIVING BAR, T002				*		1	
17		MAT80230T00		KNEE SWITCH SUPPORT BASE				*		2	
18		SS6151220SP		SCREW 15/64-28 L=11.5				*		4	
19	R	SS7111410SP	SS7111410TP	SCREW 11/64-40 L=14				*		2	1.00
20	R	SK3514000SC	SK3514001SE	WOOD SCREW D=5.1 L=40	FOR AK-145C					2	1.00
21		40103008		AIR APPARATUS ASM.						1	
22		HK03464000A		TERMINAL, FEMALE				*		2	
23		HK034610020		2-POLE NYLON PLUG				*		1	
24		GAKA1503000		INSULATION TUBE				*		0.2	
25		40038904		MAGNETIC VALVE(P)				*		1	
26		GAK29010000		ELBOW B				*		1	
27		GAKA14020A0		CORD ASM.				*		1	
28		SK3385001SE		WOOD SCREW D=3.8 L=50						4	
29		40038722		FILTER REGULATOR ASM.						1	
30		40038723		FILTER REGULATOR MOUNTING PLATE				*		1	
31		SM4061001SB		SCREW M6 L=10				*		2	
32		GAK29011000		NIPPLE				*		1	
33		PF0552170A0		FILTER REGULATOR				*		1	
34		GAK29009000		ELBOW				*		1	
35		BT0600401EB		TUBE				*		0.28	
36		SK3482501SE		WOOD SCREW D=4.8 L=25						2	

## HOW TO MAKE USE OF THIS PARTS LIST

1.As to "#01" and "#02" refer to the "Note" given at the bottom of the respective pages.

2.Codes on the "Qty" column

- Each numeral indicates the number of parts required.
- "0.1" and "2.5" indicate the length (in meters) of the respective parts.

3.Parentheses mean that the corresponding part is a subpart that constructs an assembly part.

4.Dotted lines on the Figures indicate assembly parts.

1. リストページの# 0 1、# 0 2の印は、ページ下の"注記"の説明を参照下さい。
2. 数量欄の数字は、個数を表し、0. 1、2. 5等の数値は、長さ（単位メートル）を表します。
3. 数量欄の（ ）は、組部品を構成している子部品であることを意味します。
4. イラストページの-----枠は、組構成であることを意味します。

## NUMERICAL INDEX OF PARTS

PART NO	PAGE	REF NO.
10090009	2	2
10090108	2	4
10090306	2	8
10090405	2	9
40025035	2	15
40025036	2	14
40038722	2	29
40038723	2	30
40038904	2	25
40103008	2	21
BT0600401EB	2	35
GAK29009000	2	34
GAK29010000	2	26
GAK29011000	2	32
GAKA14020A0	2	27
GAKA1503000	2	24
GES12153000	2	11
HK034610020	2	23
HK03464000A	2	22
MAT80230T00	2	17
MAT80231T00	2	16
MAZ02508000	2	12
PA2502503A0	2	1
PF0552170A0	2	33
SK3385001SE	2	28
SK3482501SE	2	36
SK3514000SC	2	20
SM4061001SB	2	31
SS6151220SP	2	18
SS6151612TP	2	3
SS7110710SP	2	13
SS7111410SP	2	19
SS7150910TP	2	5