

MODEL : LH-3500A シリーズ (for China)

List No : 1537-05

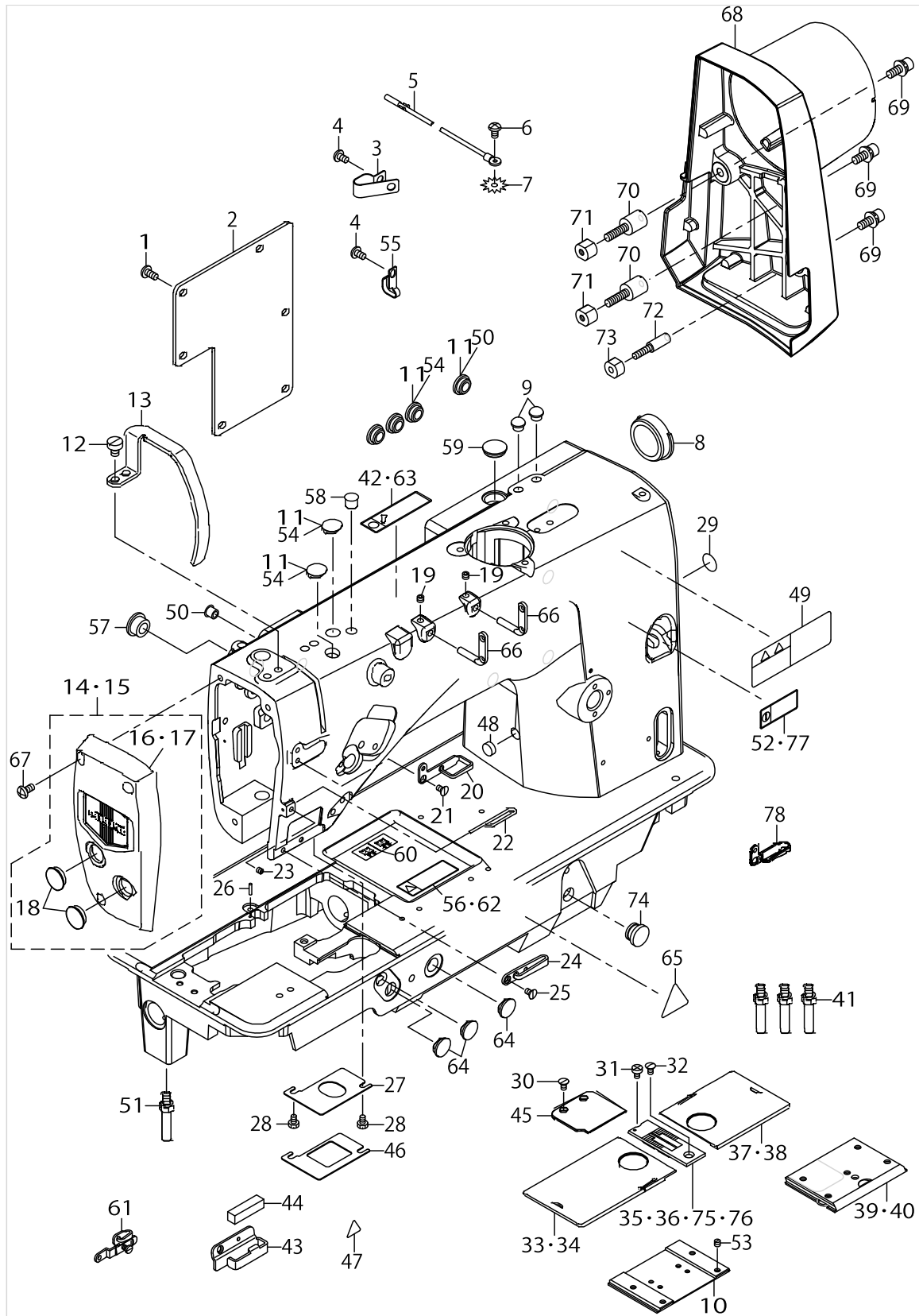
PARTS LIST

Published:05/12/2017

CONTENTS

FRAME & MISCELLANEOUS COVER COMPONENTS	1
MAIN SHAFT & THREAD TAKE-UP COMPONENTS	9
NEEDLE BAR COMPONENTS (1)(FOR LH-3528A,3528A-7,3578A,3578A-7).....	13
NEEDLE BAR COMPONENTS (2)(FOR LH-3568A,3568A-7,3588A,3588A-7).....	15
TENSION POST COMPONENTS (1)(LH-3528A,3528A-7 TYPE S/G)(LH-3578A,3578A-7 TYPE.....	21
G)	
TENSION POST COMPONENTS (2)(LH-3528A TYPE A/F).....	23
TENSION POST COMPONENTS (3)(LH-3568A,3568A-7 TYPE S/G)(LH-3588A,3588A-7 TYPE.....	27
G)	
HOOK & HOOK DRIVING SHAFT COMPONENTS (1)	31
HOOK & HOOK DRIVING SHAFT COMPONENTS (2)(FOR LH-3578A,3578A-7,3588A,3588A-7).....	35
HOOK & HOOK DRIVING SHAFT COMPONENTS (3)	37
FEED MECHANISM COMPONENTS.....	41
PRESSER BAR & TENSION RELEASE COMPONENTS.....	47
THREAD TRIMMER MECHANISM COMPONENTS (FOR LH-3528A-7,3568A-7,3578A-7,3588A-7).	51
AUTOMATIC REVERSE FEED MECHANISM COMPONENTS	55
WIPER MECHANISM COMPONENTS (FOR LH-3528A-7,3568A-7,3578A-7,3588A-7)	59
LUBRICATION COMPONENTS	61
BELT COVER & BOBBIN WINDER COMPONENTS	67
BOTTOM COVER COMPONENTS.....	69
AK DEVICE COMPONENTS.....	71
THREAD STAND COMPONENTS.....	73
ACCESSORIE PARTS COMPONENTS	75
TABLE OF EXCHANGING GAUGE PARTS (1)(FOR LH-3528A).....	79
TABLE OF EXCHANGING GAUGE PARTS (2)(FOR LH-3528A).....	80
TABLE OF EXCHANGING GAUGE PARTS (FOR LH-3528A-7)	81
TABLE OF EXCHANGING GAUGE PARTS (FOR LH-3568A)	82
TABLE OF EXCHANGING GAUGE PARTS (FOR LH-3568A-7)	83
TABLE OF EXCHANGING GAUGE PARTS (LH-3578A TYPE G).....	84
TABLE OF EXCHANGING GAUGE PARTS (LH-3588A TYPE G).....	85
TABLE OF EXCHANGING GAUGE PARTS (LH-3578A-7 TYPE G).....	86
TABLE OF EXCHANGING GAUGE PARTS (LH-3588A-7 TYPE G).....	87
LIST FOR INFORMATION OF CHANGE.....	88
HOW TO MAKE USE OF THIS PARTS LIST	89

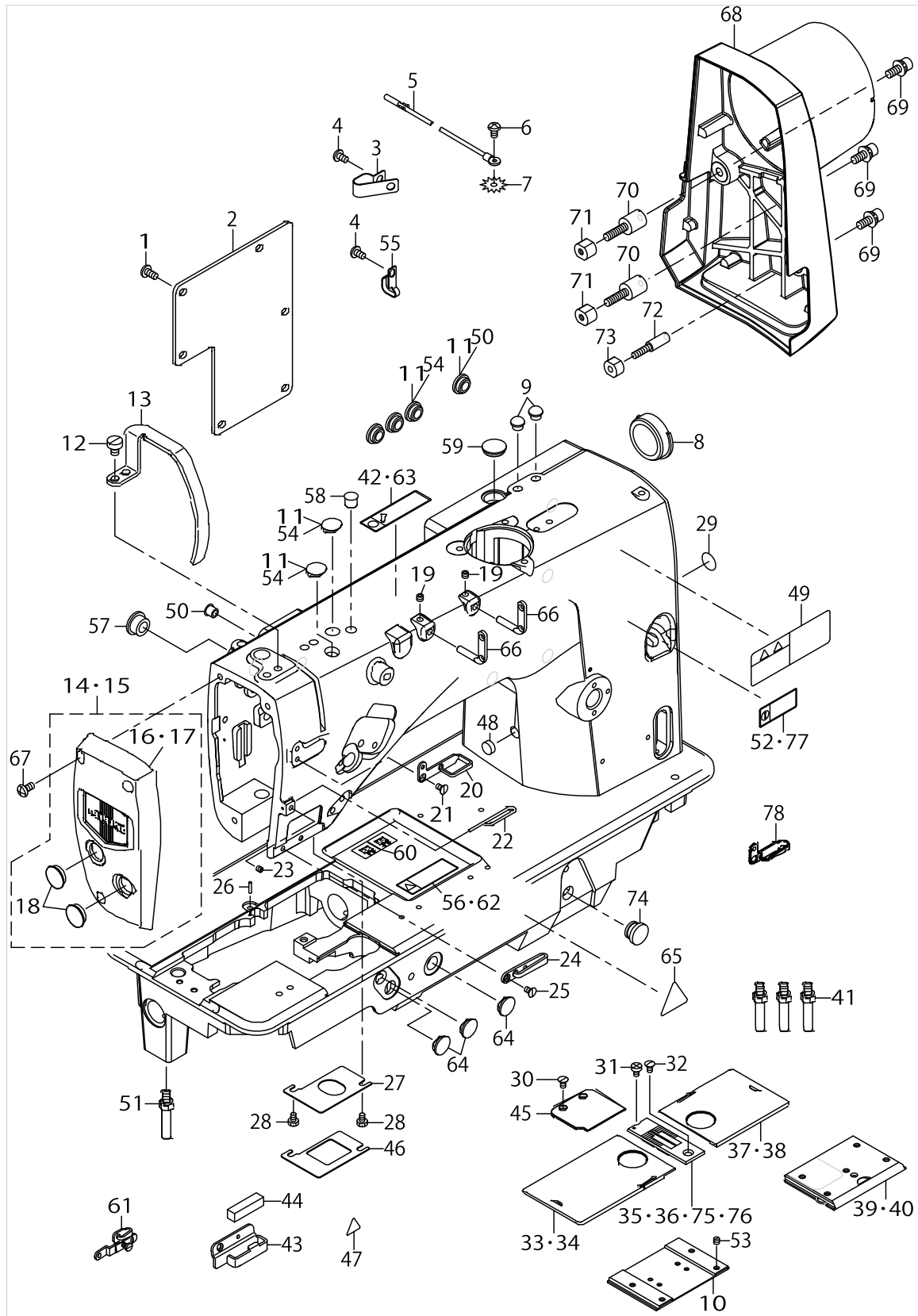
FRAME & MISCELLANEOUS COVER COMPONENTS



FRAME & MISCELLANEOUS COVER COMPONENTS

No.	Supply Code	Parts No.	Replacement	Parts name	Remarks	Choice	Step	Level	Cons	Qty	Rep. QTY
1		SM4051455SP		SCREW M5 L=14						6	
2		40028766		REAR PLATE						1	
3		D2112555B00		CORD HOLDER, LARGE	FOR LH-3-528A-7,35-68A-7,357-8A-7, 3588-A-7,3528A-0B					3	
4		SM4050855SP		SCREW	FOR LH-3-528A-7,35-68A-7,357-8A-7, 3588-A-7,3528A-0B					4	
5		23601057		EARTH CORD ASM.	FOR LH-3-528A-7,35-68A-7,357-8A-7, 3588-A-7,3528A-0B					1	
6		SM4050855SP		SCREW	FOR LH-3-528A-7,35-68A-7,357-8A-7, 3588-A-7,3528A-0B					1	
7		WT0530002KS		TOOTHED WASHER D=5.3	FOR LH-3-528A-7,35-68A-7,357-8A-7, 3588-A-7,3528A-0B					1	
8		22619100		CAP	FOR LH-3-528A,3578A					1	
9		TA0800504R0		PLUG D=8 L=4.5	FOR LH-3-528A,3578A					2	
10		23206709		BED SLIDE (FRONT)A	SELECTIVE PARTS					1	
11		TA1250406R0		RUBBER PLUG D=12.5 L=4	EXCEPT CHINA					6	
12		SM6060800SP		SCREW M6 L=8						2	
13		40028245		THREAD TAKE UP LEVER COVER						1	
14		40030298		ASSYFACECOVER28	FOR LH-3-528A,3528-A-7,3578A, 3578A-7					1	
15		40030299		ASSYFACECOVER68	FOR LH-3-568A,3568-A-7,3588A, 3588A-7					1	
16	R	40029641	40030298	FACE COVER 28	FOR LH-3-528A,3528-A-7,3578A, 3578A-7			*		1	1.00
17		40029972		FACE COVER 68	FOR LH-3-568A,3568-A-7,3588A, 3588A-7			*		1	
18		TA1600406R0		PLUG				*		2	
19		SM8050412TP		SCREW M5 L=4						2	
20		40091179		THREAD GUIDE UPPER						1	
21		SM1040750TP		SCREW M4 L=7						1	
22		40029347		THREAD GUIDE WIRE						1	
23		SM8040402TP		SCREW M4X0.7 L=4						1	
24		40084142		THREAD GUIDE LOWER						1	
25		SM1040750TP		SCREW M4 L=7						1	
26		B1104051000		THROAT PLATE PIN						1	
27		40028730		PLATE	FOR LH-3-528A,3578A					1	
28		SM9040603SC		SCREW M4 L=6						2	
29		22901805		GROUND MARK						1	

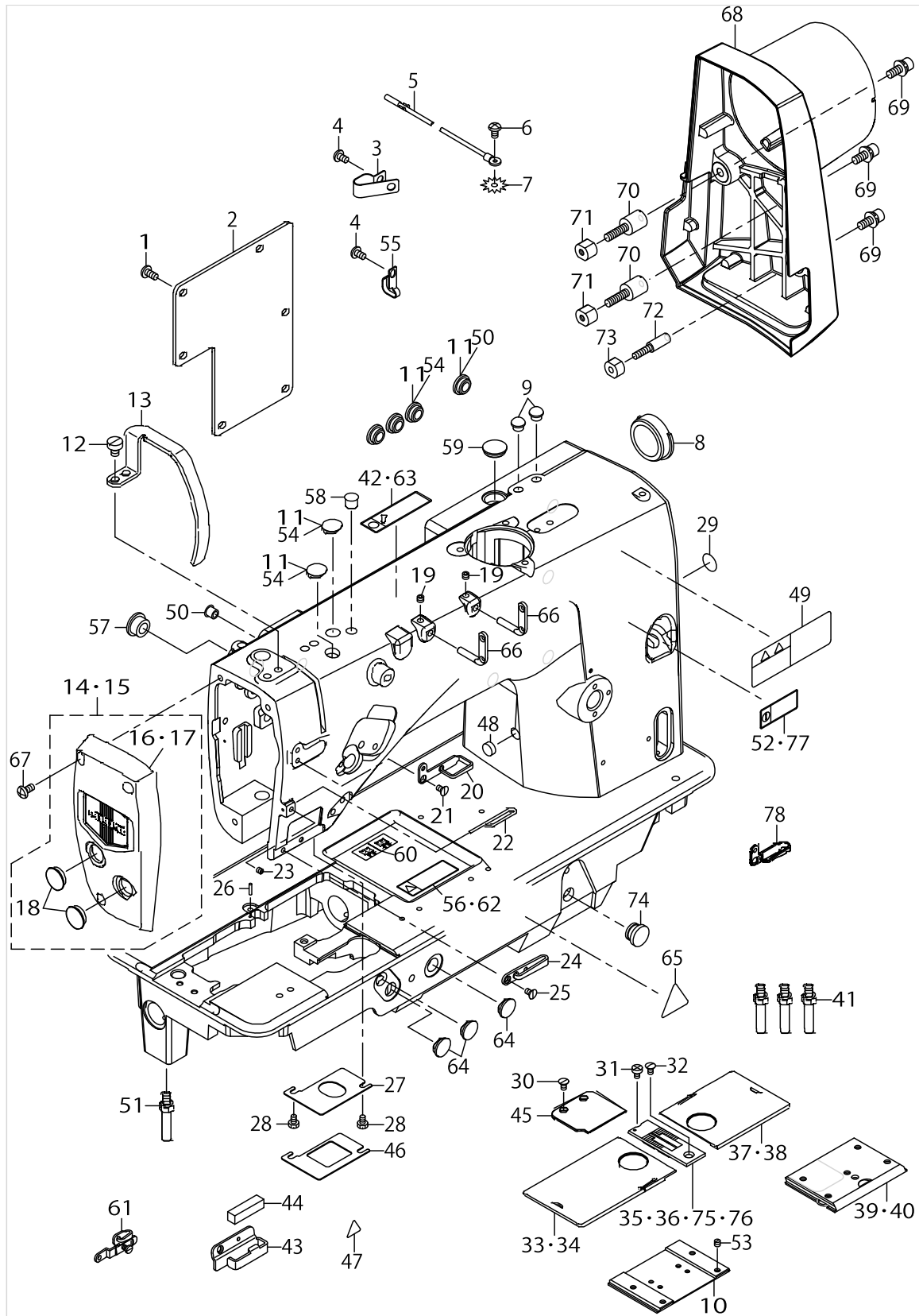
FRAME & MISCELLANEOUS COVER COMPONENTS



FRAME & MISCELLANEOUS COVER COMPONENTS

No.	Supply Code	Parts No.	Replacement	Parts name	Remarks	Choice	Step	Level	Cons	Qty	Rep. QTY
30		SM1040750TP		SCREW M4 L=7	FOR LH-3-528A-7,35-68A-7, 357-8A-7,3588A-7					2	
31		SM6040655TP		SCREW M4 L=6						1	
32		SM2040750TP		SCREW M4 L=7.4						1	
33		22601058		BED SLIDE LEFT, ASM., A	EXCHANGI-NG GAUGE PARTS FOR LH-3528A,-3568A,357-8A, 3588A(-SEE.P.41,44,46,47)					1	
34		40025247		ASSY SLIDE PLATE-L-A	EXCHANGI-NG GAUGE PARTS FOR LH-3528A--7,3568A-7,-3578A-7, 3-588A-7(SE-E.P.43,45,48,49)					1	
35		22625503		THROAT PLATE 1/4	EXCHANGI-NG GAUGE PARTS FOR LH-3528A(-TYPE S,A,F)(SEE.P.42)					1	
36		40025492		THROAT PLATE TRIM-1/4	EXCHANGI-NG GAUGE PARTS FOR LH-3528A--7(TYPE S,-A,F)(SEE.P.43)					1	
37		22600555		BED SLIDE RIGHT, ASM., A	EXCHANGI-NG GAUGE PARTS FOR LH-3528A,-3568A,357-8A, 3588A(-SEE.P.41,44,46,47)					1	
38		40025235		ASSY SLIDE PLATE-R-A	EXCHANGI-NG GAUGE PARTS FOR LH-3528A--7,3568A-7,-3578A-7, 3-588A-7(SE-E.P.43,45,48,49)					1	
39		40042880		ASSY SLIDE PLATE F	FOR LH-3-528A-7,35-68A-7, 357-8A-7,3588A-7					1	
40		40042874		ASSY SLIDE PLATE F STANDARD	FOR LH-3-528A,3578A					1	
41		40096939		STUD						3	
42		CM200100101		LABEL 01 C	EXCEPT CHINA					1	
43		40032896		THREAD GUIDE FELT	TYPE A(A-CCESSORIE PARTS)					1	
44		22603708		FELT	TYPE A(A-CCESSORIE PARTS)				☆	1	
45		40028706		AUXILIARY COVER	FOR LH-3-528A-7,35-68A-7, 357-8A-7,3588A-7					1	
46		40028731		PLATE	FOR LH-3-568A,3588A					1	
47		CM300200003		ATTENTION LABEL						1	
48		TA1030402R0		RUBBER PLUG D=10.3 L=4						1	

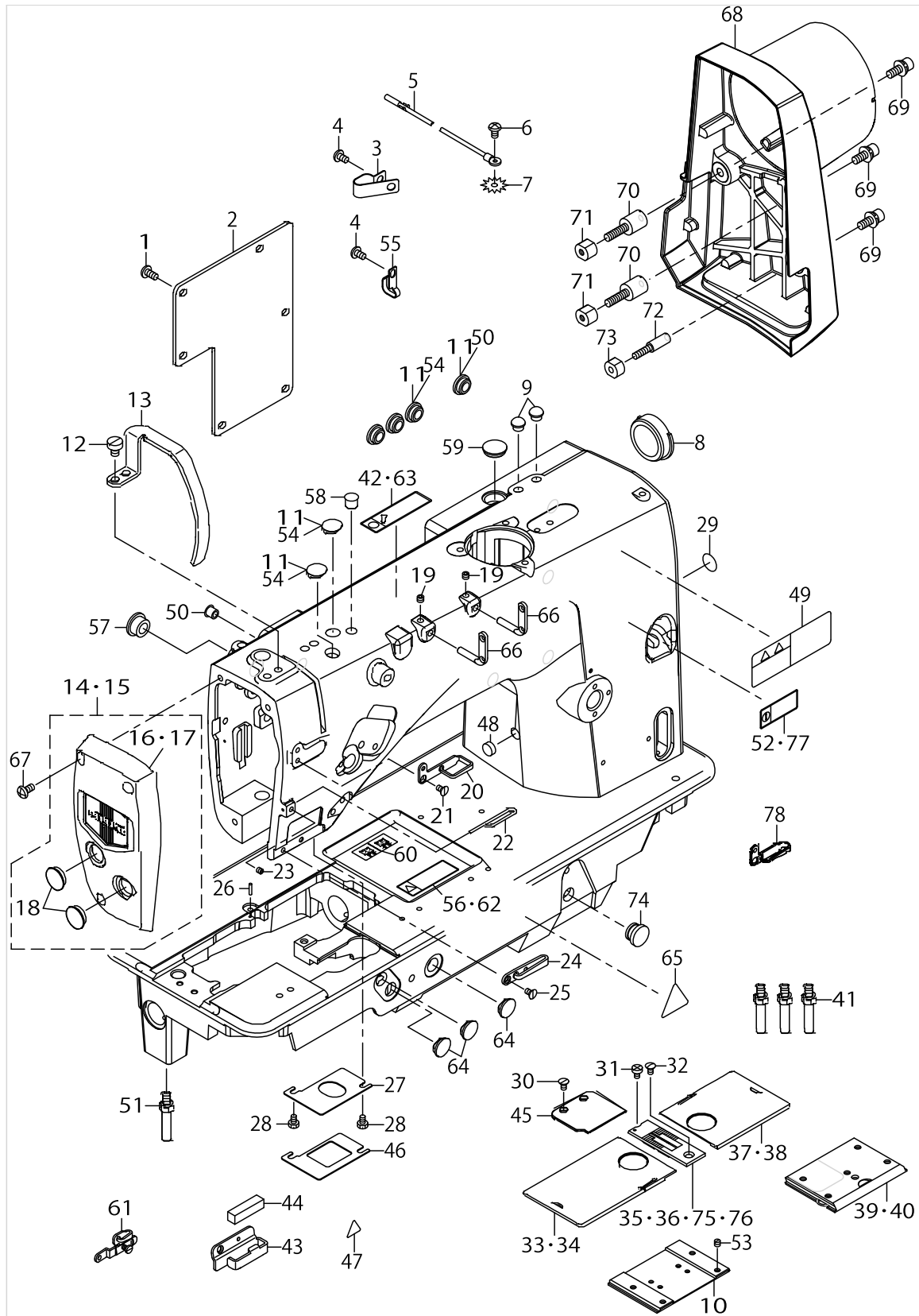
FRAME & MISCELLANEOUS COVER COMPONENTS



FRAME & MISCELLANEOUS COVER COMPONENTS

No.	Supply Code	Parts No.	Replacement	Parts name	Remarks	Choice	Step	Level	Cons	Qty	Rep. QTY
49		CM301300001		SAFETY LABEL	FOR LH-3-528A-7,35-68A-7, 357-8A-7,3588A-7					1	
50		TA0750704R0		RUBBER PLUG						2	
51		40035180		BED SCREW STUD B						1	
52		CM200200201		LABEL 02 C						1	
53		SS8110410TP		SCREW 11/64-40 L= 3.5	SELECTIVE PARTS					1	
54		TA1250406R0		RUBBER PLUG D=12.5 L=4	FOR CHINA					5	
55		40022407		CORD HOLDER						1	
56		CM301100101		LABEL 03 C	FOR CHINA					1	
57		TA1470704R0		RUBBER PLUG						1	
58		TA0950806R0		RUBBER PLUG						1	
59		TA1650406R0		PRUG						1	
60		40026811		THREADING DIAGRAM	TYPE A,F					1	
61		40034675		THREAD GUIDE ASME	TYPE G(A-CESSORIE PARTS) F-OR LH-357-8A,3578A--7,3588A, 3588A-7					1	
62		CM301100102		LABEL 03	EXCEPT CHINA					1	
63		CM200100101		LABEL 01 C	FOR CHINA					1	
64		TA1250406R0		RUBBER PLUG D=12.5 L=4						3	
65		CM300200003		ATTENTION LABEL						1	
66		22920706		TWO EYELET						2	
67		SM4051055SP		SCREW						3	
68		40091182		MOTOR COVER	FOR LH-3-528A-7,35-68A-7,357-8A-7, 3588-A-7,3528A-0B					1	
69		SL6061692TN		BOLT	FOR LH-3-528A-7,35-68A-7,357-8A-7, 3588-A-7,3528A-0B					3	
70		40091183		STUD A	FOR LH-3-528A-7,35-68A-7,357-8A-7, 3588-A-7,3528A-0B					2	
71		40091184		STUD B	FOR LH-3-528A-7,35-68A-7,357-8A-7, 3588-A-7,3528A-0B					2	
72		40091185		STUD C	FOR LH-3-528A-7,35-68A-7,357-8A-7, 3588-A-7,3528A-0B					1	
73		40091186		STUD D	FOR LH-3-528A-7,35-68A-7,357-8A-7, 3588-A-7,3528A-0B					1	
74		TA1250705R0		RUBBER PLUG						1	

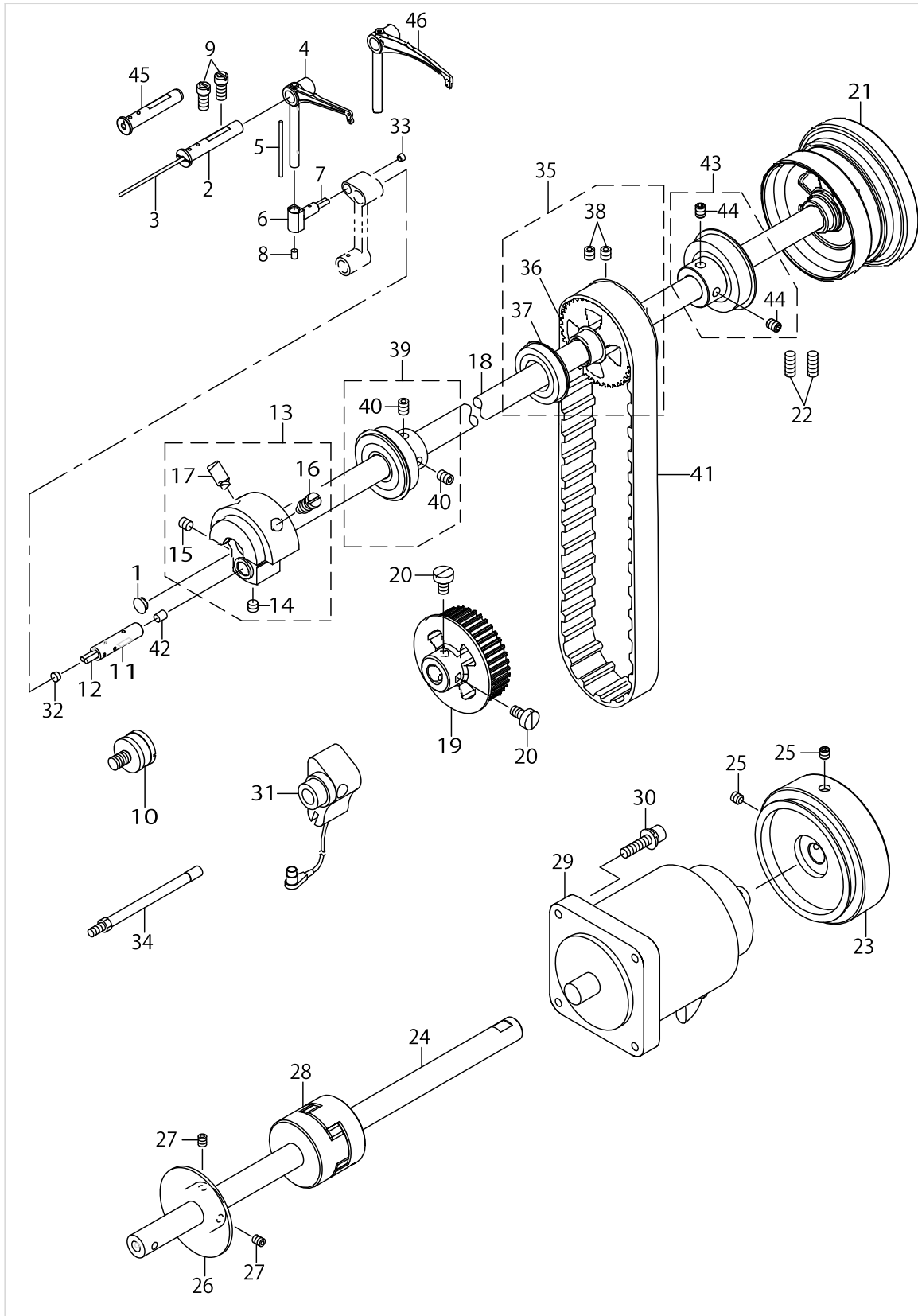
FRAME & MISCELLANEOUS COVER COMPONENTS



FRAME & MISCELLANEOUS COVER COMPONENTS

No.	Supply Code	Parts No.	Replacement	Parts name	Remarks	Choice	Step	Level	Cons	Qty	Rep. QTY
75		40094772		THROAT PLATE 1/4	EXCHANGING GAUGE PARTS FOR LH-3528A, -3568A, 3578A, 3588A (TYPE G) (SEE P.42,44,46,47)					1	
76		40094773		THROAT PLATE TRIM 1/4	EXCHANGING GAUGE PARTS FOR LH-3528A-7, 3568A-7, 3578A-7, 3588A-7 (TYPE G) (SEE P.43,45,48,49)					1	
77		CM200200202		LABEL 02	EXCEPT CHINA					1	
78		40029078		THREAD GUIDE UPPER	ACCESSORIE PARTS) FOR LH-3578A, 3578A-7, 3588A, 3588A-7					1	

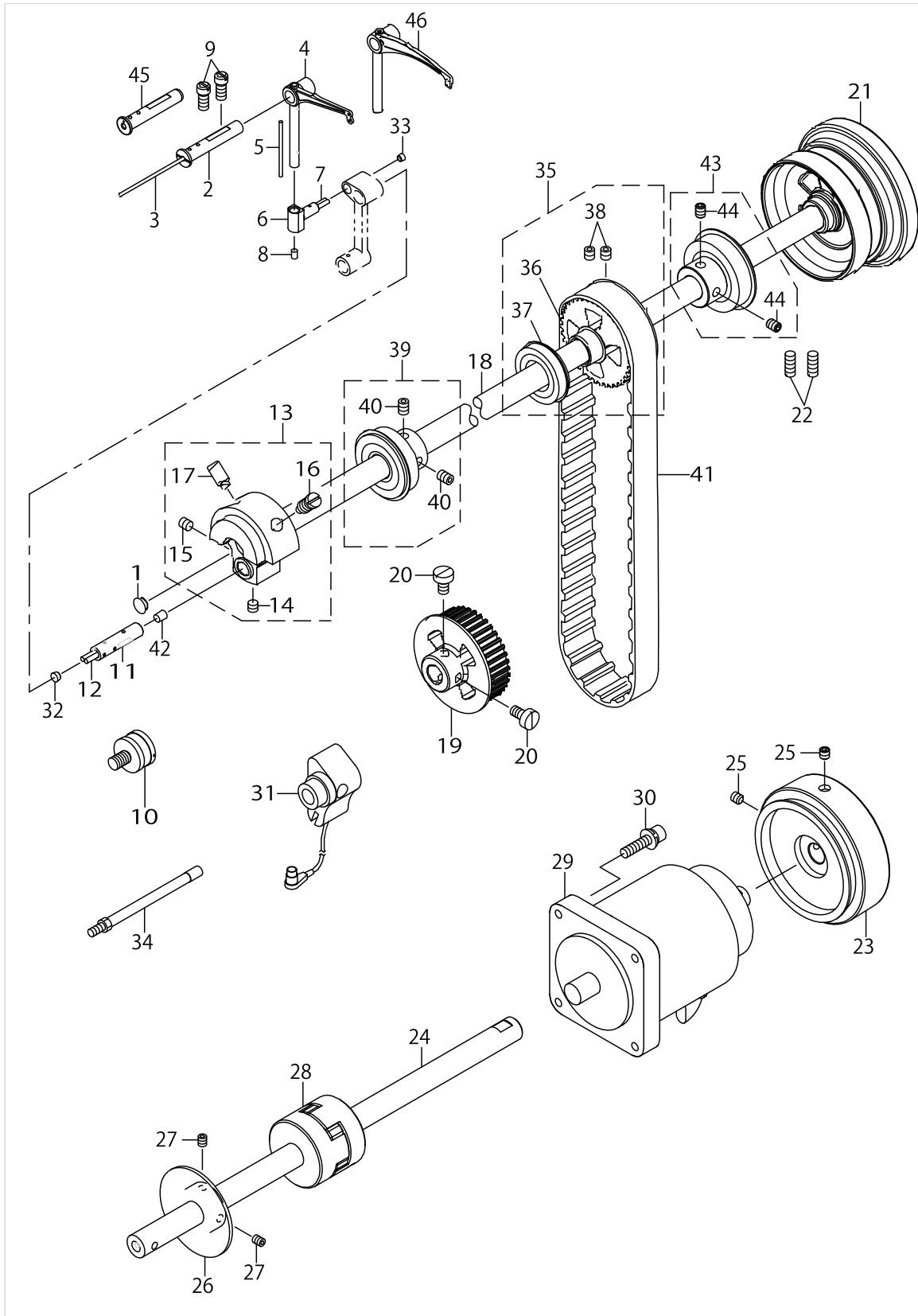
MAIN SHAFT & THREAD TAKE-UP COMPONENTS



MAIN SHAFT & THREAD TAKE-UP COMPONENTS

No.	Supply Code	Parts No.	Replacement	Parts name	Remarks	Choice	Step	Level	Cons	Qty	Rep. QTY
1		TA0750404R0		PLUG D=7.5 L=3.5						1	
2		22605307		THREAD TAKE-UP LEVER PIN						1	
3		CQ202000000		OIL WICK						.15	
4		40024093		THREAD TAKE UP LEVER C					☆	1	
5		CQ202000000		OIL WICK						.04	
6		40022678		TAKE UP LEVER THRUST PIN						1	
7		CQ252000000		OIL WICK						.02	
8		22810907		RUBBER PLUG						1	
9		40010470		SHUTTLE_ASM_SCREW						2	
10		22622401		SYNCRO FRNGE	OPTIONAL PARTS (FOR LH-352-8A,3568A,3578A,3588A)					1	
11		40029964		NEEDLE_BAR_CRANK_PIN						1	
12		CQ303000000		OIL WICK						.02	
13		40031864		ASSY_COUNTER_WEIGHT						1	
14		SM8060552TP		SCREW M6 L=5					*	1	
15		SM8060612TP		SCREW M6 L=6					*	1	
16		40004171		COUNTER_WEIGHT_SCREW					*	1	
17		SM8081652TP		SCREW M8 L=16					*	1	
18		40024436		MAINSHAFT	FOR LH-3-528A,3568A,3578A,3588A					1	
19		40028117		LOWER_SPROCKET						1	
20		SM6061150TP		SCREW M6 L=11						2	
21		40032987		HAND_WHEEL	FOR LH-3-528A,3568A,3578A,3588A					1	
22		SM8061550TP		SCREW M6 L=15	FOR LH-3-528A,3568A,3578A,3588A					2	
23		40091181		HAND_WHEEL	FOR LH-3-528A-7,35-68A-7,357-8A-7,3588A-7					1	
24		40091180		MAIN_SHAFT	FOR LH-3-528A-7,35-68A-7,357-8A-7,3588A-7					1	
25		SM80608A2TP		SCREW M6 L=8	FOR LH-3-528A-7,35-68A-7,357-8A-7,3588A-7					2	
26		40013354		WINDER_DRIVING_WHEEL						1	
27		SM8060612TP		SCREW M6 L=6						2	
28		40051473		COUPLING_ASM.	FOR LH-3-528A-7,35-68A-7,357-8A-7,3588A-7					1	
29		40091227		SERVO_MOTOR_550W	FOR LH-3-528A-7,35-68A-7,357-8A-7,3588A-7					1	
30		SL6052592TN		BOLT	FOR LH-3-528A-7,35-68A-7,357-8A-7,3588A-7					4	

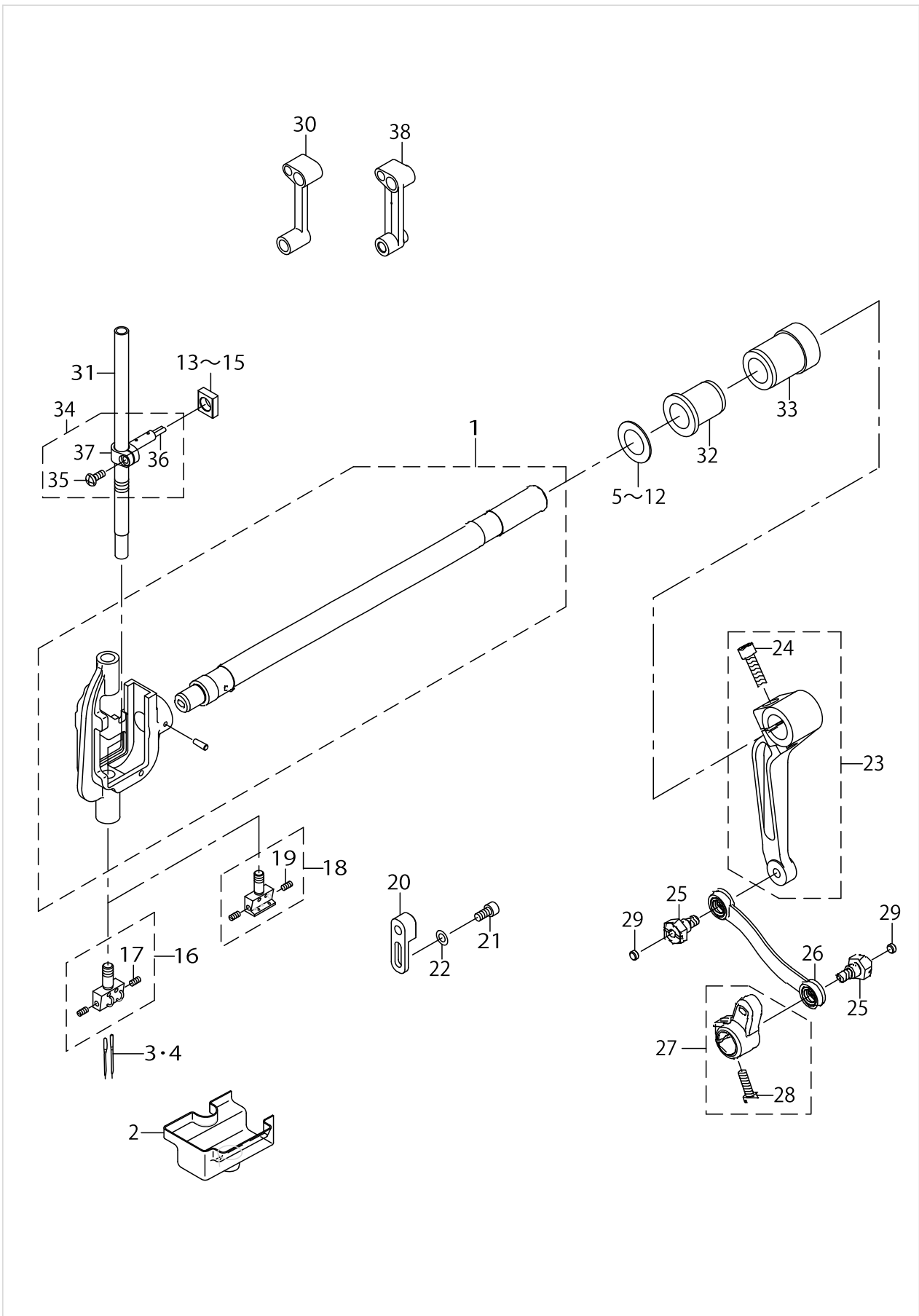
MAIN SHAFT & THREAD TAKE-UP COMPONENTS



MAIN SHAFT & THREAD TAKE-UP COMPONENTS

No.	Supply Code	Parts No.	Replacement	Parts name	Remarks	Choice	Step	Level	Cons	Qty	Rep. QTY
31		40026920		SYNCHRONIZERASM.	OPTIONAL PARTS (FOR LH-352-8A,3568A,3578A,3588A)					1	
32		TA0500301R0		PLUG 5X5.8 L=3						1	
33		TA0370301R0		PLUG D-3.7X4.4 L=3						1	
34		40032142		SENSOR_SUPPORT_SHAFT_ASM.	OPTIONAL PARTS (FOR LH-352-8A,3568A,3578A,3588A)					1	
35		40029048		ASSY_MAINSHAFT_BEARING_2						1	
36		40028116		MAIN_SHAFT_SPROCKET				*		1	
37		SB120002500		BEARING				*		1	
38		SM8060612TP		SCREW M6 L=6				*		2	
39	R	40029047	40142685	ASSY_MAINSHAFT_BEARING						1	1.00
40		40010417		BEARING_BUSH_SCREW				*		2	
41		40028652		TIMING_BELT						1	
42		TA0490601R0		PLUG D=4.9X5.5 L=6						1	
43	R	40029049	40150029	ASSY_MAINSHAFT_BEARING_3	FOR LH-3-528A,3568A,3578A,3588A					1	1.00
44		SM8060812TP		SCREW M6 L=8				*		2	
45		40098905		THREAD_TAKE_UP_LEVER_PIN_B	FOR LH-3-578A,3578-A-7, 3588A,3588A-7					1	
46		40043322		TAKE_UP_LEVER_E_COATING	FOR LH-3-578A,3578-A-7, 3588A,3588A-7					1	

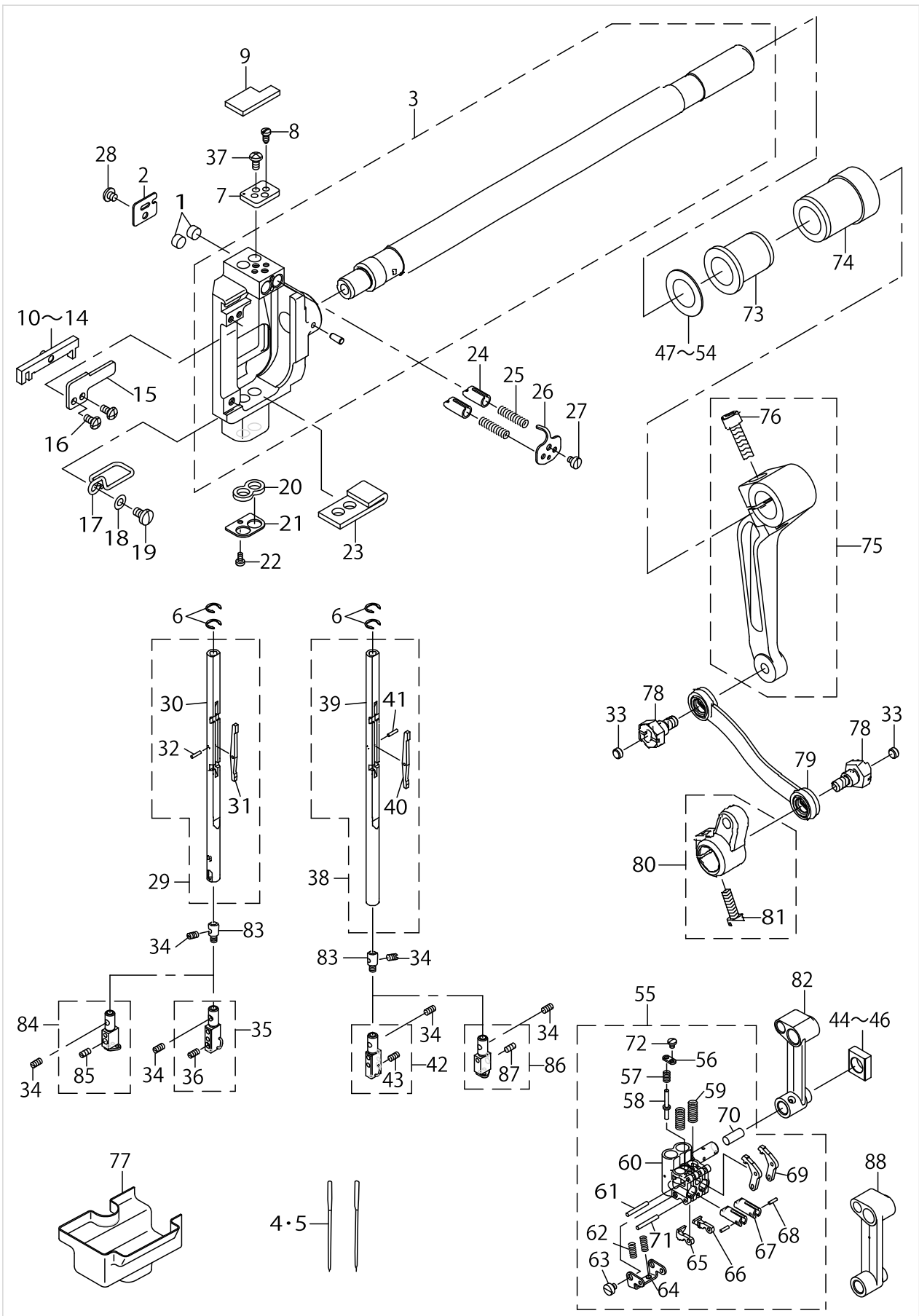
NEEDLE BAR COMPONENTS (1)(FOR LH-3528A,3528A-7,3578A,3578A-7)



NEEDLE BAR COMPONENTS (1)(FOR LH-3528A,3528A-7,3578A,3578A-7)

No.	Supply Code	Parts No.	Replacement	Parts name	Remarks	Choice	Step	Level	Cons	Qty	Rep. QTY
1		40026395		NEEDLE_BAR,ROCKING_BASE,ASM.						1	
2	D	22606800		OIL GUARD RUBBER						1	
3		MDP500B1400		NEEDLE DPX5 #14	SELECTIVE PARTS				☆	2	
4		MDP500B2100		NEEDLE DPX5 #21	SELECTIVE PARTS				☆	2	
5		22606206		SPACER Y	SELECTIVE PARTS					1	
6		22606305		SPACER Z	SELECTIVE PARTS					1	
7		22607600		SPACER A	SELECTIVE PARTS					1	
8		22607709		SPACER B	SELECTIVE PARTS					1	
9		B1438512B00		WASHER 17.1X28X1.5	SELECTIVE PARTS					1	
10		22607808		SPACER D	SELECTIVE PARTS					1	
11		22607907		SPACER E	SELECTIVE PARTS					1	
12		22606404		SPACER F	SELECTIVE PARTS					1	
13		23204506		ROCKING ROD SQUARE BLOCK A	SELECTIVE PARTS					1	
14		23204605		ROCKING ROD SQUARE BLOCK B	SELECTIVE PARTS					1	
15		23204704		ROCKING ROD SQUARE BLOCK C	SELECTIVE PARTS					1	
16		40026035		ASSY_NEEDLE_CLAMP(1/4)	EXCHANGI- NG GAUGE PARTS (S- EE.P.42,43,46,48)					1	
17		SS8080660TP		SCREW 1/8-44 L=5.5				*		2	
18		10148054		NEEDLE_CLAMP_ASM. 1/4	EXCHANGI- NG GAUGE PARTS (S- EE.P.42,43,46,48)					1	
19		SS8080660TP		SCREW 1/8-44 L=5.5				*		2	
20		40028666		ROCKING_ROD_FIXING_BLOCK	FOR LH-3528A					1	
21		SM6051002TP		SCREW M5X0.8 L=10	FOR LH-3528A					2	
22		WP0550800SP		WASHER 5.5X10X0.8	FOR LH-3528A					2	
23		40033669		ASSY_REAR_ARM						1	
24		SM6062502TP		SCREW M6 L=25				*		1	
25		40026482		SHOULDER_SCREW						2	
26		40032124		DRIVING_ROD_ASM.						1	
27		40028853		ASSY_DRIVING_ARM						1	
28		SM6051600SP		SCREW M5 L=16				*		1	
29		13102702		THROAT_PLATE_COVER						2	
30		40030037		NEEDLE_BAR_CRANK_ROD	FOR LH-3- 528A,3528A-7					1	
31		40028031		NEEDLE_BAR						1	
32		40023568		BUSHING						1	
33		40023569		BUSHING						1	
34		40031862		ASSY_NEEDLE_BAR_CONNECTION						1	
35		SM4041055SP		SCREW				*		1	
36		CQ252000000		OIL_WICK				*		0.04	
37	R	40040302	40031862	NEEDLE_BAR_CONNECTION				*		1	1.00
38		40030038		NEEDLE_BAR_CRANK_ROD	FOR LH-3- 578A,3578A-7					1	

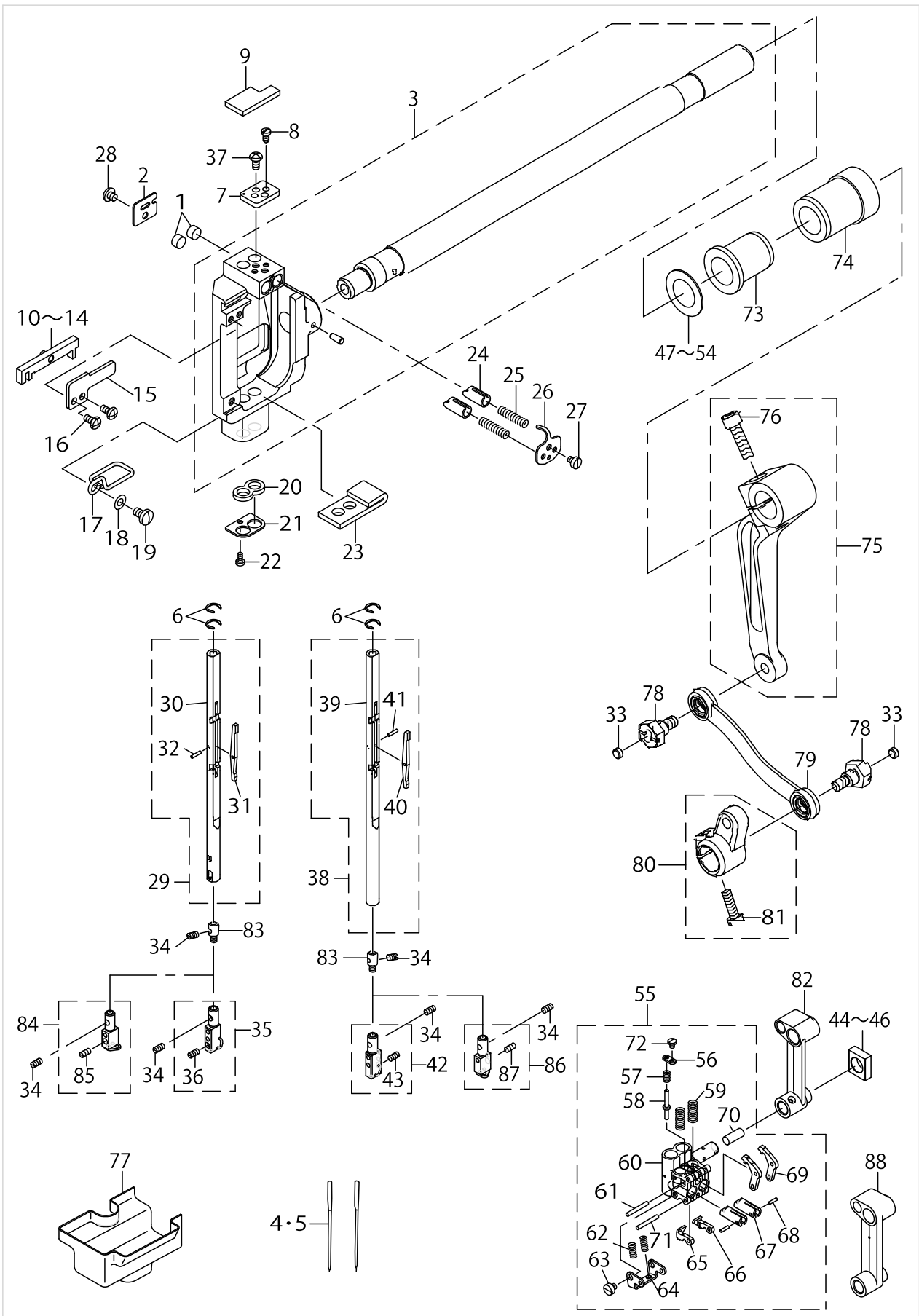
NEEDLE BAR COMPONENTS (2)(FOR LH-3568A,3568A-7,3588A,3588A-7)



NEEDLE BAR COMPONENTS (2)(FOR LH-3568A,3568A-7,3588A,3588A-7)

No.	Supply Code	Parts No.	Replacement	Parts name	Remarks	Choice	Step	Level	Cons	Qty	Rep. QTY
1	R	22903702	11002904	ROLLER FELT						2	1.00
2		22681209		FELT COVER						1	
3		40026402		NEEDLE_BAR,ROCKING_BASE,ASM.						1	
4		MDP500B1400		NEEDLE DPX5 #14	SELECTIVE PARTS				☆	2	
5		MDP500B2100		NEEDLE DPX5 #21	SELECTIVE PARTS				☆	2	
6		40028668		RING_A						4	
7		22682702		NEEDLE BAR SWIVEL STOPPER						1	
8		22681712		STOPPER SCREW						2	
9		40039629		FELT						1	
10		22681951		SLIDERBLOCKASM.A	SELECTIVE PARTS					1	
11		22682058		SLIDERBLOCKASM.B	SELECTIVE PARTS					1	
12		22682157		SLIDE BLOCK	SELECTIVE PARTS					1	
13		22682256		SLIDERBLOCKASM.D	SELECTIVE PARTS					1	
14		22682355		SLIDERBLOCKASM.E	SELECTIVE PARTS					1	
15		22681803		SLIDE BLOCK GUIDE PLATE						1	
16		SS4090715SP		SCREW 9/64-40 L=7						2	
17		22685903		FELT GUIDE						1	
18		WP0450000SD		WASHER 4.5X8X0.5						1	
19		SS7110710SP		SCREW 11/64-40 L=7						1	
20		22686000		NEEDLE BAR OIL SEAL FELT, A						1	
21		22685804		NEEDLE BAR OIL SEAL PLATE						1	
22		SS6060510TP		SCREW 3/32-56 L=4.5						1	
23		22686109		NEEDLE BAR OIL SEAL FELT, B						1	
24		22681407		NEEDLE BAR STOPPER						2	
25		22681506		SPRING						2	
26	R	22681316	40095222	STOPPER SPRING COVER						1	1.00
27		SS6080410SP		SCREW 1/8-44 L=4						1	
28		SS4090415SP		SCREW 9/64-40 L=4						1	
29		40026983		NEEDLE_BAR_ASM_LEFT						1	
30	R	40026982	40026983	NEEDLE_BAR_LEFT				*		1	1.00
31	R	22685200	40026984	SEESAW PLATE		A	LH- 右/ Right	*		1	1.00
31	R	22685200	40026983	SEESAW PLATE		B	LH- 左/Left	*		1	1.00
31	R	22685200	40064252	SEESAW PLATE		C	APW- 右 L- H-896N 右- /APW- Rig- ht LH-896N Right	*		1	1.00
31	R	22685200	40064253	SEESAW PLATE		D	APW- 左 L- H-896N 左- /APW- Left LH-896N Left	*		1	1.00
32		22685408		NEEDLE BAR PIN				*		1	
33		TA0370301R0		PLUG D-3.7X4.4 L=3						2	
34		B1425526000		SCREW 1/8-44 L=6						4	
35		40029561		ASSY_NEEDLE_CLAMP_L(1/4)	EXCHANGI- NG GAUGE PARTS (S- EE.P.44,45,47,49)					1	
36		SS8080660TP		SCREW 1/8-44 L=5.5				*		2	
37		SS4090715SP		SCREW 9/64-40 L=7						2	
38		40026984		NEEDLE_BAR_ASM_RIGHT						1	

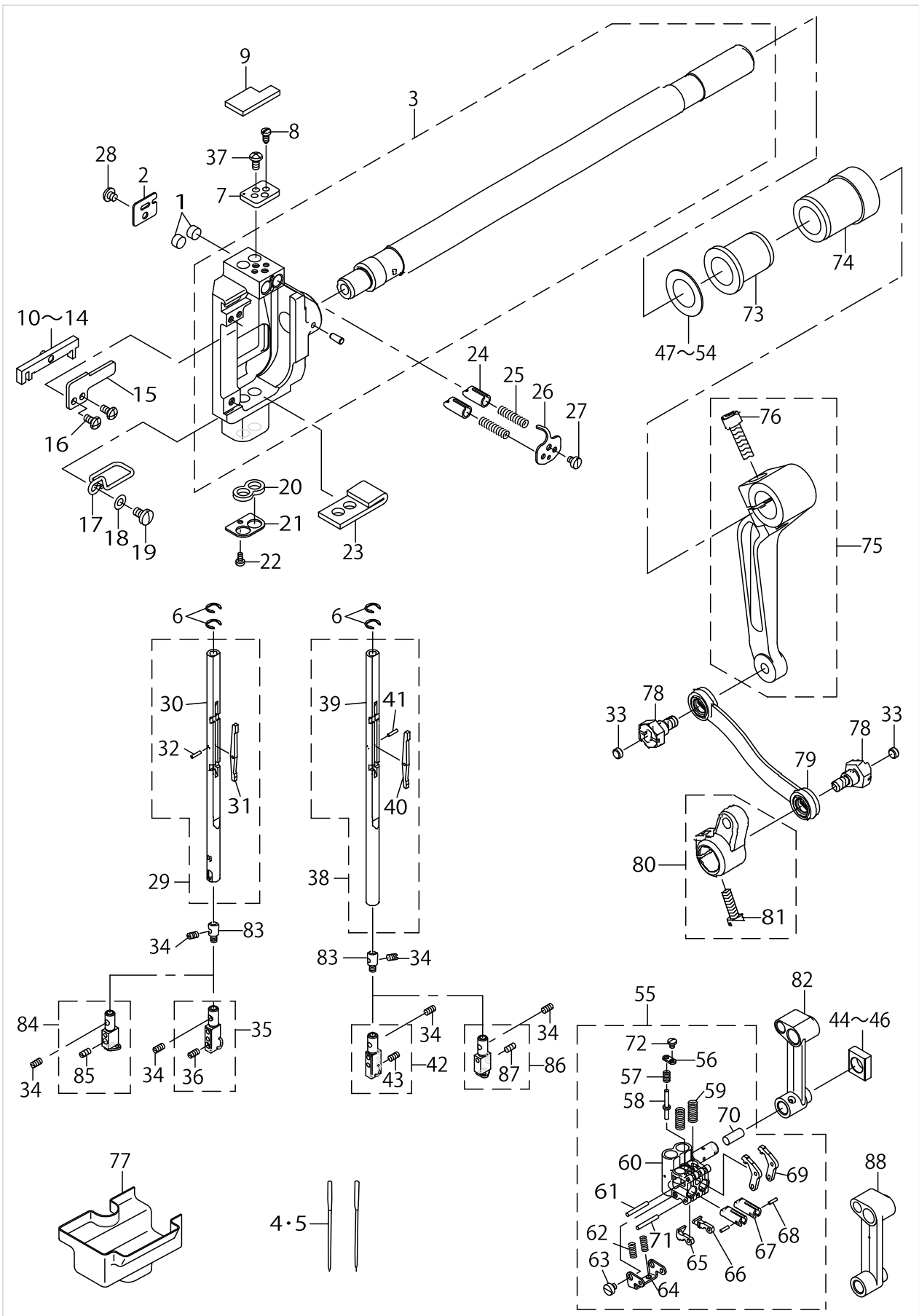
NEEDLE BAR COMPONENTS (2)(FOR LH-3568A,3568A-7,3588A,3588A-7)



NEEDLE BAR COMPONENTS (2)(FOR LH-3568A,3568A-7,3588A,3588A-7)

No.	Supply Code	Parts No.	Replacement	Parts name	Remarks	Choice	Step	Level	Cons	Qty	Rep. QTY
39		40026981		NEEDLE_BAR_RIGHT				*		1	
40	R	22685200	40026984	SEESAW PLATE		A	LH- 右/ Right	*		1	1.00
40	R	22685200	40026983	SEESAW PLATE		B	LH- 左/Left	*		1	1.00
40	R	22685200	40064252	SEESAW PLATE		C	APW- 右 L- H-896N 右- /APW- Rig- ht LH-896N Right	*		1	1.00
40	R	22685200	40064253	SEESAW PLATE		D	APW- 左 L- H-896N 左- /APW- Left LH-896N Left	*		1	1.00
41		22685408		NEEDLE BAR PIN				*		1	
42		40029562		ASSY_NEEDLE_CLAMP_R(1/4)	EXCHANGI- NG GAUGE PARTS (S- EE.P.44,45,47,49)					1	
43		SS8080660TP		SCREW 1/8-44 L=5.5				*		2	
44		23204506		ROCKING ROD SQUARE BLOCK A	SELECTIVE PARTS					1	
45		23204605		ROCKING ROD SQUARE BLOCK B	SELECTIVE PARTS					1	
46		23204704		ROCKING ROD SQUARE BLOCK C	SELECTIVE PARTS					1	
47		22606206		SPACER Y	SELECTIVE PARTS					1	
48		22606305		SPACER Z	SELECTIVE PARTS					1	
49		22607600		SPACER A	SELECTIVE PARTS					1	
50		22607709		SPACER B	SELECTIVE PARTS					1	
51		B1438512B00		WASHER 17.1X28X1.5	SELECTIVE PARTS					1	
52		22607808		SPACER D	SELECTIVE PARTS					1	
53		22607907		SPACER E	SELECTIVE PARTS					1	
54		22606404		SPACER F	SELECTIVE PARTS					1	
55		40032147		NEEDLE_BAR_CONNECTION_ASM.						1	
56		40059036		RELEASE_PIN_COVER				*		1	
57		22683304		SPRING				*		1	
58		40024473		RELEASE_PIN				*		1	
59		22683809		SPRING				*		2	
60		40028679		NEEDLE_BAR_CONNECTION				*		1	
61		22683403		NEEDLE BAR CONNECTION PIN				*		1	
62		22684104		SPRING				*		2	
63		SS6080340SP		SCREW 1/8-44 L=2.9				*		2	
64		22684203		SPRING BRACKET				*		1	
65		22683908		CLUTCH STOPPER, LEFT				*		1	
66		22684005		CLUTCH STOPPER, RIGHT				*		1	
67		40024064		NEEDLE_BAR_CLUTCH				*		2	
68		B1705850000		STOPPER PIN				*		2	
69		22683601		CLUTCH LEVER				*		2	
70		CQ252000000		OIL WICK				*		0.03	
71		40015144		NEEDLE BAR CONNECTION PIN				*		1	
72		SS7060310SP		SCREW 3/32-56 L=3				*		1	
73		40023568		BUSHING						1	
74		40023569		BUSHING						1	
75		40033669		ASSY_REAR_ARM						1	
76		SM6062502TP		SCREW M6 L=25				*		1	

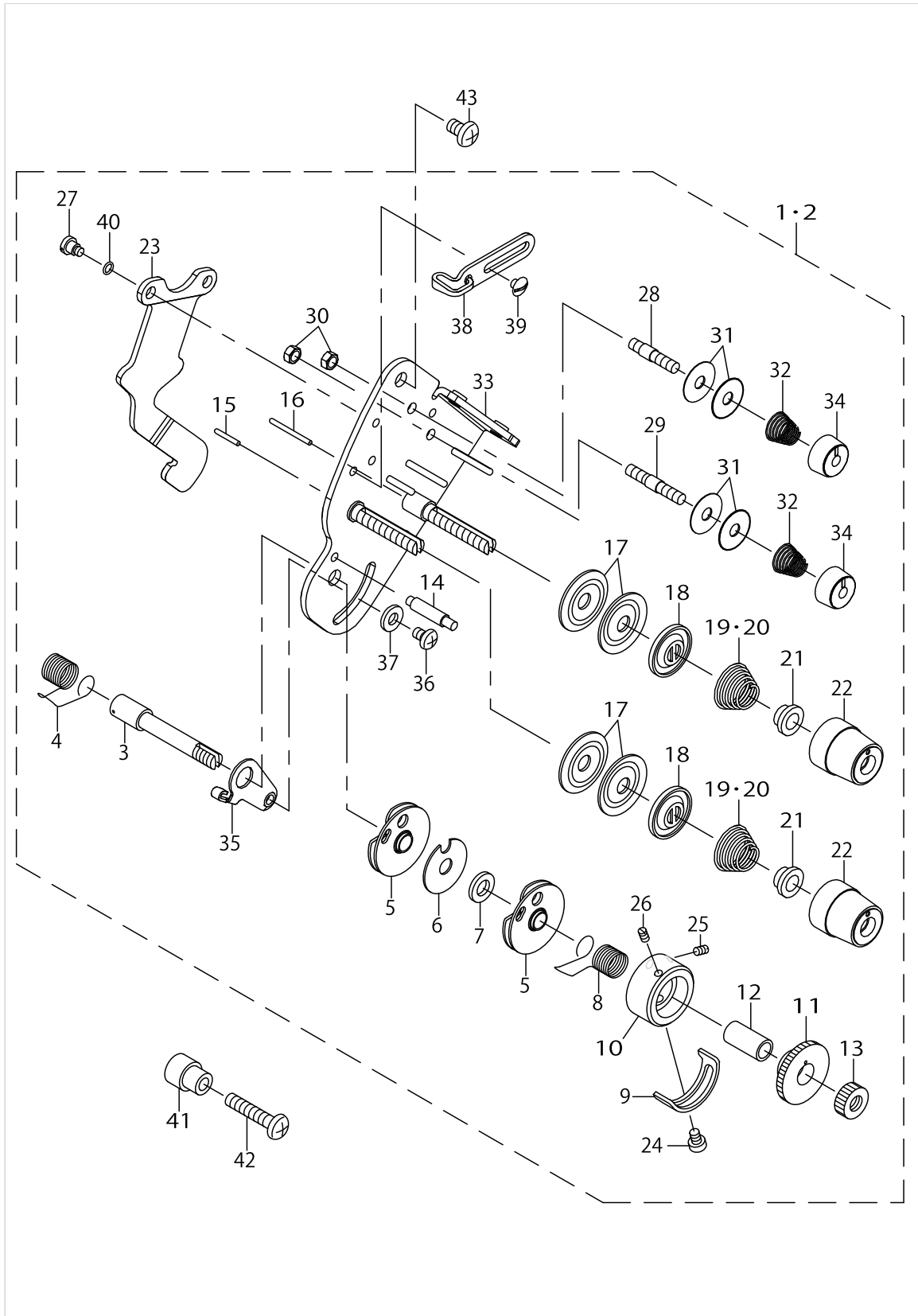
NEEDLE BAR COMPONENTS (2)(FOR LH-3568A,3568A-7,3588A,3588A-7)



NEEDLE BAR COMPONENTS (2)(FOR LH-3568A,3568A-7,3588A,3588A-7)

No.	Supply Code	Parts No.	Replacement	Parts name	Remarks	Choice	Step	Level	Cons	Qty	Rep. QTY
77		22685705		OIL GUARD RUBBER						1	
78		40026482		SHOULDER_SCREW						2	
79		40032124		DRIVING_ROD_ASM.						1	
80		40028853		ASSY_DRIVING_ARM						1	
81		SM6051600SP		SCREW M5 L=16				*		1	
82		40028200		NEEDLE_BAR_CRANK_ROD	FOR LH-3-568A,3568A-7					1	
83		22682504		SPRING BEARING						2	
84		B1402528FALA		NEEDLE CLAMP ASM. 1/4	EXCHANGI-NG GAUGE PARTS (S-EE.P.44,45,47,49)					1	
85		SS8080660TP		SCREW 1/8-44 L=5.5				*		2	
86		B1402528FARA		NEEDLE CLAMP ASM. 1/4	EXCHANGI-NG GAUGE PARTS (S-EE.P.44,45,47,49)					1	
87		SS8080660TP		SCREW 1/8-44 L=5.5				*		2	
88		40030027		NEEDLE_BAR_CRANK_ROD	FOR LH-3-588A,3588A-7					1	

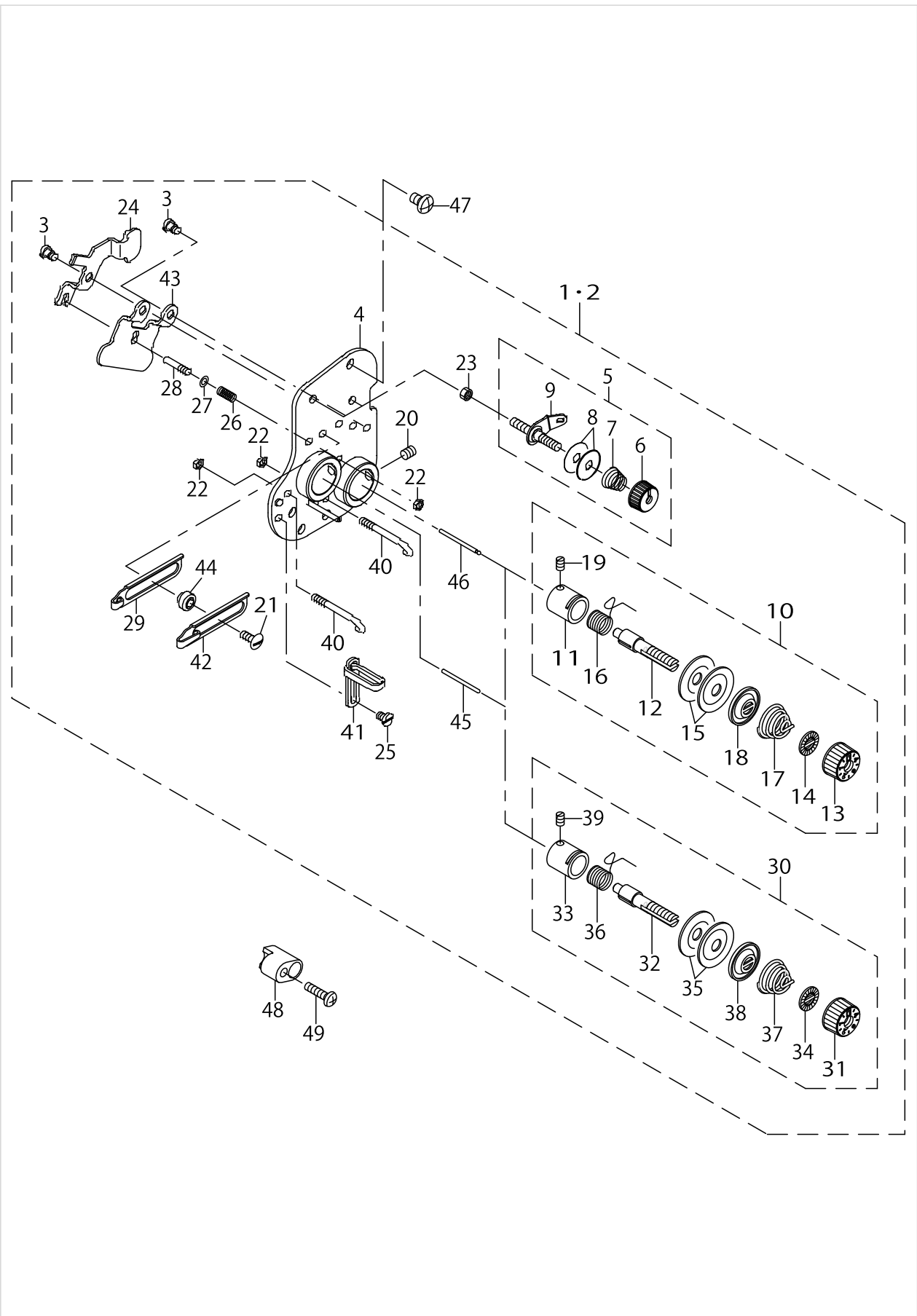
TENSION POST COMPONENTS (1)(LH-3528A,3528A-7 TYPE S/G)(LH-3578A,3578A-7 TYPE G)



TENSION POST COMPONENTS (1)(LH-3528A,3528A-7 TYPE S/G)(LH-3578A,3578A-7 TYPE G)

No.	Supply Code	Parts No.	Replacement	Parts name	Remarks	Choice	Step	Level	Cons	Qty	Rep. QTY
1		40091191		COMP_THREAD_TENSION_MAL28S	TYPE S					1	
2		40094770		COMP_THREAD_TENSION_MAL28G	TYPE G					1	
3		10697605		THREAD TAKE-UP SPRING STUD				*		1	
4		22618706		THREAD TAKE-UP SPRING A				*	☆	2	
5		B31375270A0		TAKE-UP SPRING GUIDE ASM.				*		1	
6		B3142527000		TAKE-UP SPRING GUIDE PLATE				*		1	
7		B3139527000		COLLAR				*		1	
8		22618805		THREAD TAKE-UP SPRING B				*	☆	1	
9		B3138527000		ADJUSTING PLATE B				*		1	
10		22617609		THREAD TENSION POST				*		1	
11		22617708		TAKE-UP SPRING GUIDE				*		1	
12		B3141527000		PRESSER COLLAR				*		1	
13	R	22617807	22928808	NUT				*		1	1.00
14		B3143527000		TAKE-UP SPRING GUIDE STUD				*		1	
15		22618201		TENSION RELEASE PIN, A				*		1	
16		22618300		TENSION RELEASE PIN, B				*		1	
17	R	B3126012000	22921506	THREAD TENSION DISK				*		4	1.00
18		22617906		THREAD TENSION DISK PRESSER				*		2	
19		B3129012A00		TENSION SPRING	TYPE S			*		2	
20		B3114232000		THREAD TENSION SPRING	TYPE G			*		2	
21		B3112704000		TENSION SPRING BUSHING				*		2	
22		11957008		THREAD TENSION KNOB				*		2	
23		40091259		DISK_RELEASE_PLATE_B				*		1	
24		SS7090510SP		SCREW 9/64-40 L= 4.6				*		1	
25	R	22618904	SM8030500SP	SET SCREW				*		1	1.00
26	R	22618904	SM8030500SP	SET SCREW				*		1	1.00
27		SD0470316TP		SHOULDER SCREW D=4.7 H=3.1				*		2	
28		10124204		THREAD TENSION POST, A				*		1	
29		10124303		THREAD TENSION POST, B				*		1	
30		NS6110310SP		NUT 11/64-40				*		2	
31		10741106		FIRST THREAD TENSION PLATE				*		4	
32		11045101		THREAD TENSION SPRING				*		2	
33		40091258		ASSY_TENSION_BASE_PLATE28				*		1	
34		11072402		THREAD TENSION NUT				*		2	
35		10697506		THREAD TENSION BRACKET, A				*		1	
36		SS4110615SP		SCREW 11/64-40 L=6				*		1	
37		WP0501016SD		WASHER 5X10.5X1				*		1	
38		40083824		THREAD_TAKE_UP_GUIDE_B				*		1	
39		SS5090420SP		SCREW 9/64-40 L=3.5				*		2	
40		RO036080200		RUBBER RING				*		2	
41		40091193		STUD						1	
42		SM4052501SP		SCREW						1	
43		SM4051001SN		SCREW M5						1	

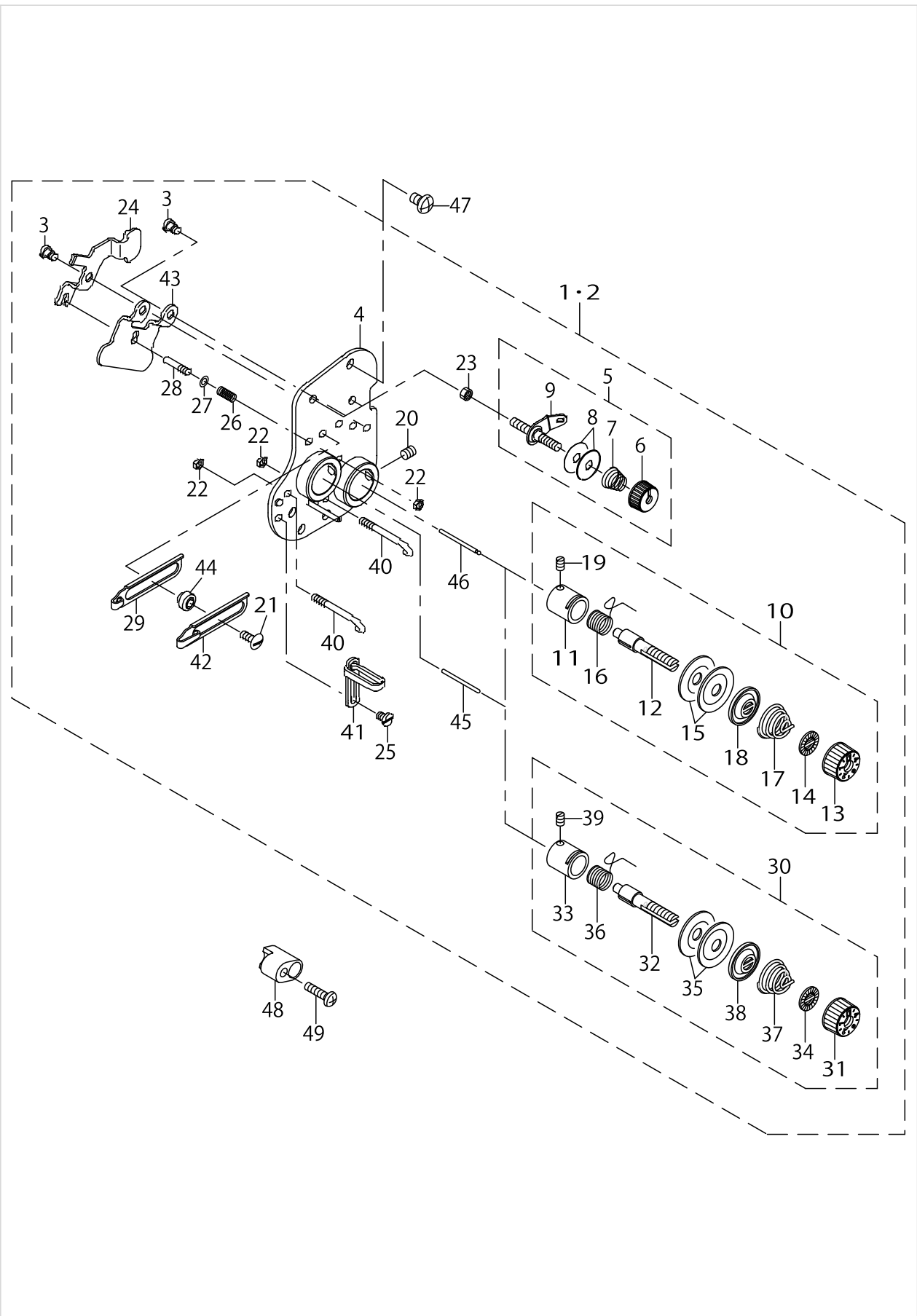
TENSION POST COMPONENTS (2)(LH-3528A TYPE A/F)



TENSION POST COMPONENTS (2)(LH-3528A TYPE A/F)

No.	Supply Code	Parts No.	Replacement	Parts name	Remarks	Choice	Step	Level	Cons	Qty	Rep. QTY
1		40032707		COMP_THREAD_TENSION_28S	TYPE F					1	
2		40032709		COMP_THREAD_TENSION_28A	TYPE A					1	
3		SD0470316TP		SHOULDER SCREW D=4.7 H=3.1				*		3	
4	R	40028250	40032707	ASSY_TENSION_BASE_PLATE		A	LH-3528S	*		1	1.00
4	R	40028250	40032708	ASSY_TENSION_BASE_PLATE		B	LH-3528G	*		1	1.00
4	R	40028250	40032709	ASSY_TENSION_BASE_PLATE		C	LH-3528A	*		1	1.00
4	R	40028250	40032710	ASSY_TENSION_BASE_PLATE		D	LH-3568S	*		1	1.00
4	R	40028250	40032711	ASSY_TENSION_BASE_PLATE		E	LH-3568G	*		1	1.00
4	R	40028250	40061321	ASSY_TENSION_BASE_PLATE		F	APW-895	*		1	1.00
5		40052366		ASSY_THREAD_TENSION				*		2	
6		11072402		THREAD TENSION NUT				*		1	
7		22945505		THREAD TENSION SPRING				*		1	
8	R	B3214047000	22945802	BOBBIN WINDER TENSION DISC				*		2	1.00
9		22529473		BOBBIN THREAD T- ENSION ROD ASM.				*		1	
10		40056698		THREAD TENSION ASM.	TYPE F			*		1	
11		22945307		THREAD TENSION POST BASE				*		1	
12		22921209		THREAD TENSION POST				*		1	
13		23626005		THREAD TENSION NUT				*		1	
14		22921407		ROTATION STOPPER				*		1	
15		22921506		THREAD TENSION DISK				*		2	
16		22921605		THREAD TAKE-UP SPRING				*	☆	1	
17		B3129012A00		TENSION SPRING				*		1	
18		22921803		DISK STOPPER				*		1	
19		SS8090670SP		SCREW 9/64-40 L=5.5				*		1	
20		SM8050612TP		SCREW M5X6				*		2	
21		SS5091020SP		SCREW 9/64-40 L=9.5				*		2	
22		NS6080210SP		NUT 1/8-44				*		3	
23		NS6110310SP		NUT 11/64-40				*		2	
24		40034840		RELEASE_LEVER				*		1	
25		SS6090520SP		SCREW 9/64-40 L=5.0				*		1	
26		40009222		PRESSER PLATE A- DJUSTING SPRING				*		1	
27	R	WP0350516SD	WP0320500SD	WASHER 3.5X6X0.5				*		1	1.00
28		40015699		SPRING_GUIDE				*		1	
29		40060689		THREAD_TAKE_UP_GUIDE				*		1	
30		40080006		ASSY_THREAD_TENSION_A	TYPE A			*		1	
31		23626005		THREAD TENSION NUT				*		1	
32		B3115552000		TENSION POST				*		1	
33	R	B3111126000	22945307	TENSION POST SOCKET				*		1	1.00
34		B3120125000		ROTATING STOPPER				*		1	
35		13138201		THREAD TENSION DISK				*		2	
36		D3128555D00		TAKE-UP SPRING				*	☆	1	
37		D3129555D00		THREAD TENSION SPRING				*		1	
38		B3132552000		THREAD TENSION DISK PRESSER				*		1	
39		SS8090670SP		SCREW 9/64-40 L=5.5				*		1	
40		40049219		THREAD_GUIDE				*		2	

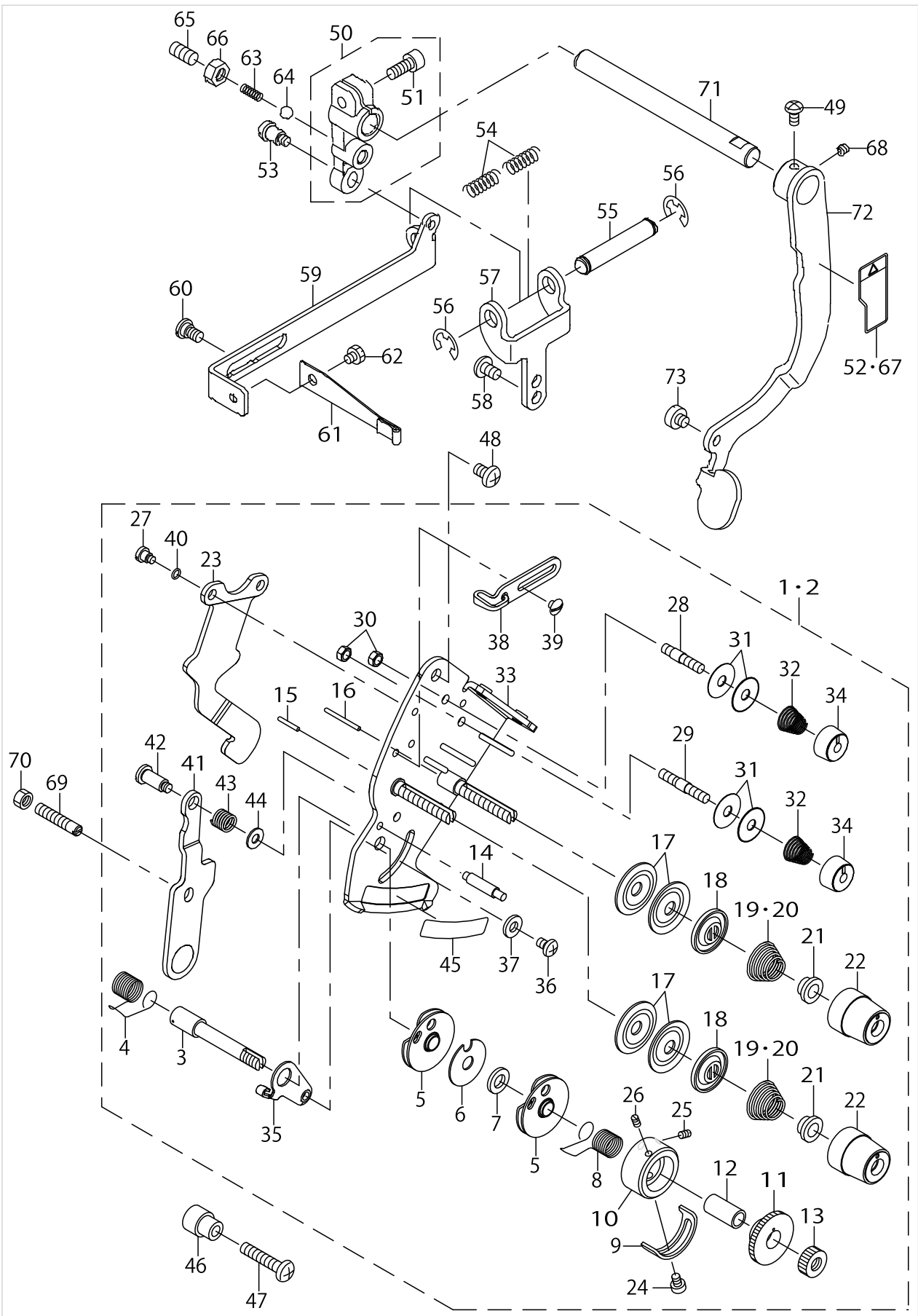
TENSION POST COMPONENTS (2)(LH-3528A TYPE A/F)



TENSION POST COMPONENTS (2)(LH-3528A TYPE A/F)

No.	Supply Code	Parts No.	Replacement	Parts name	Remarks	Choice	Step	Level	Cons	Qty	Rep. QTY
41		40060693		THREAD_GUIDE_UPPER_A				*		1	
42		40060840		THREAD_TAKE_UP_GUIDE_B				*		1	
43		40034660		DISK_RELEASE_PLATE				*		1	
44		23203300		THREAD GUIDE COLLAR				*		2	
45		B3118552F00		TENSION RELEASING PIN				*		1	
46		B3118552I00		TENSION RELEASING PIN I				*		1	
47		SM4050855SP		SCREW						2	
48		40091194		TENSION_STUD_A						1	
49		SM4041601SN		SCREW						1	

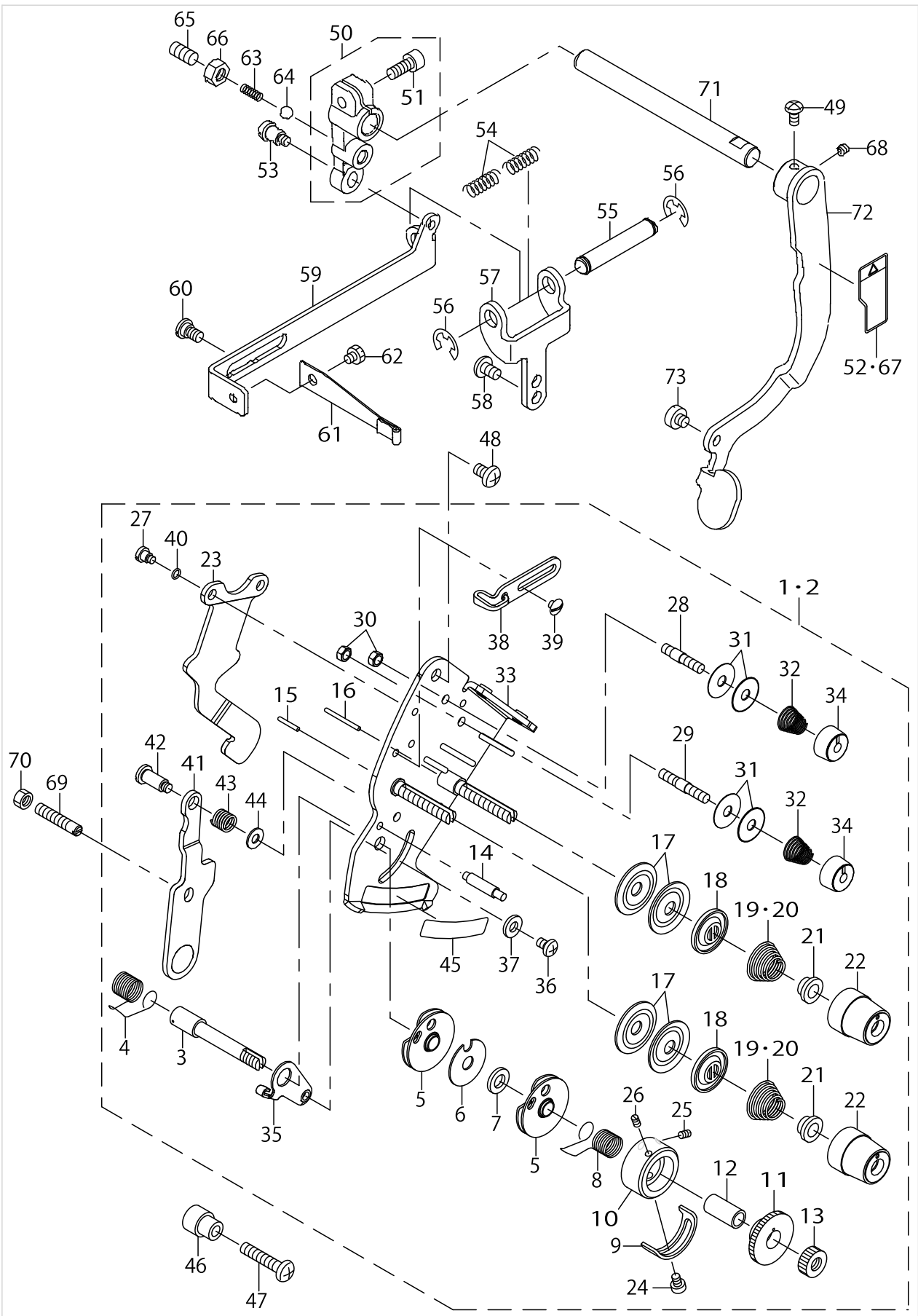
TENSION POST COMPONENTS (3)(LH-3568A,3568A-7 TYPE S/G)(LH-3588A,3588A-7 TYPE G)



TENSION POST COMPONENTS (3)(LH-3568A,3568A-7 TYPE S/G)(LH-3588A,3588A-7 TYPE G)

No.	Supply Code	Parts No.	Replacement	Parts name	Remarks	Choice	Step	Level	Cons	Qty	Rep. QTY
1		40091192		COMP_THREAD_TENSION_MAL68S	TYPE S					1	
2		40094771		COMP_THREAD_TENSION_MAL68G	TYPE G					1	
3		10697605		THREAD TAKE-UP SPRING STUD				*		1	
4		22618706		THREAD TAKE-UP SPRING A				*	☆	1	
5		B31375270A0		TAKE-UP SPRING GUIDE ASM.				*		2	
6		B3142527000		TAKE-UP SPRING GUIDE PLATE				*		1	
7		B3139527000		COLLAR				*		1	
8		22618805		THREAD TAKE-UP SPRING B				*	☆	1	
9		B3138527000		ADJUSTING PLATE B				*		1	
10		22617609		THREAD TENSION POST				*		1	
11		22617708		TAKE-UP SPRING GUIDE				*		1	
12		B3141527000		PRESSER COLLAR				*		1	
13	R	22617807	22928808	NUT				*		1	1.00
14		B3143527000		TAKE-UP SPRING GUIDE STUD				*		1	
15		22618201		TENSION RELEASE PIN, A				*		1	
16		22618300		TENSION RELEASE PIN, B				*		1	
17	R	B3126012000	22921506	THREAD TENSION DISK				*		4	1.00
18		22617906		THREAD TENSION DISK PRESSER				*		2	
19		B3129012A00		TENSION SPRING	TYPE S			*		2	
20		B3114232000		THREAD TENSION SPRING	TYPE G			*		2	
21		B3112704000		TENSION SPRING BUSHING				*		2	
22		11957008		THREAD TENSION KNOB				*		2	
23		40091259		DISK_RELEASE_PLATE_B				*		1	
24		SS7090510SP		SCREW 9/64-40 L= 4.6				*		1	
25	R	22618904	SM8030500SP	SET SCREW				*		1	1.00
26	R	22618904	SM8030500SP	SET SCREW				*		1	1.00
27		SD0470316TP		SHOULDER SCREW D=4.7 H=3.1				*		2	
28		10124204		THREAD TENSION POST, A				*		1	
29		10124303		THREAD TENSION POST, B				*		1	
30		NS6110310SP		NUT 11/64-40				*		2	
31		10741106		FIRST THREAD TENSION PLATE				*		4	
32		11045101		THREAD TENSION SPRING				*		2	
33		40091265		ASSY_TENSION_BASE_PLATE68				*		1	
34		11072402		THREAD TENSION NUT				*		2	
35		10697506		THREAD TENSION BRACKET, A				*		1	
36		SS4110615SP		SCREW 11/64-40 L=6				*		1	
37		WP0501016SD		WASHER 5X10.5X1				*		1	
38		40083824		THREAD_TAKE_UP_GUIDE_B				*		1	
39		SS5090420SP		SCREW 9/64-40 L=3.5				*		2	
40		RO036080200		RUBBER RING				*		2	
41		40091266		REPOSITIONIG_RELEASE_LEVER				*		1	
42		SD0601171SP		HINGE SCREW D= 6 H=11.7				*		1	
43		B1449526000		REPOSITIONING LEVER SPRING				*		1	
44		WP0450801SP		WASHER				*		1	
45		40091267		TENSION_PLATE_LABEL				*		1	
46		40091193		STUD				*		1	

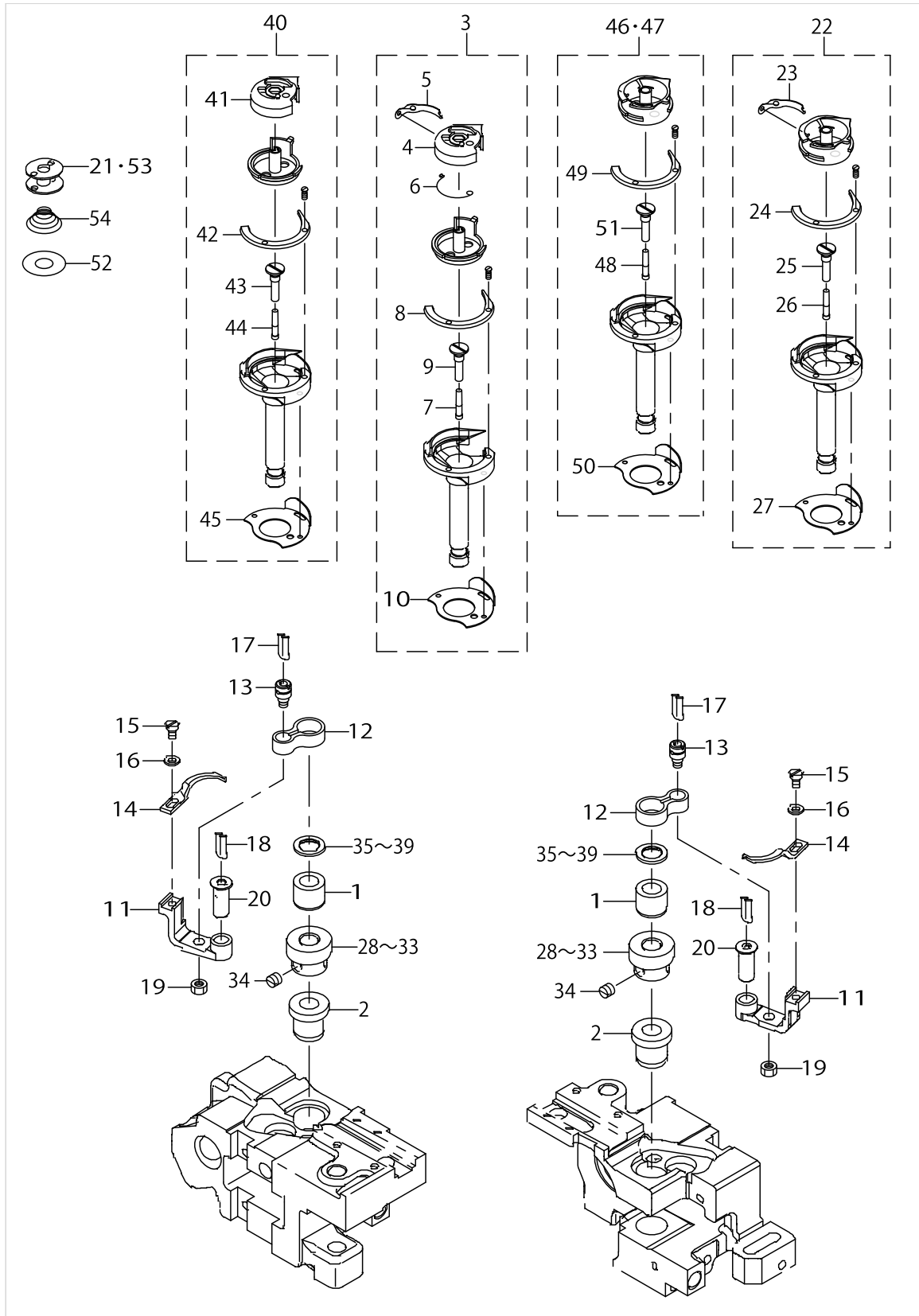
TENSION POST COMPONENTS (3)(LH-3568A,3568A-7 TYPE S/G)(LH-3588A,3588A-7 TYPE G)



TENSION POST COMPONENTS (3)(LH-3568A,3568A-7 TYPE S/G)(LH-3588A,3588A-7 TYPE G)

No.	Supply Code	Parts No.	Replacement	Parts name	Remarks	Choice	Step	Level	Cons	Qty	Rep. QTY
47		SM4052501SP		SCREW						1	
48		SM4050855SP		SCREW						1	
49		SM4040855SP		SCREW						1	
50		40032327		ASSY_REPOSITIONING_ARM						1	
51		SM6051202TP		SCREW M5X0.8 L=12				*		1	
52		CM300400902		LABEL_04	EXCEPT CHINA					1	
53		SD0640752TP		HINGE SCREW D= 6.35 H= 7.5						1	
54		22687503		SPRING						2	
55		22687701		SPRING SHAFT						1	
56		RE0700000K0		E-RING 7						2	
57		22687602		SPRING BASE						1	
58		SM4050855SP		SCREW						2	
59		22687107		REPOSITIONING PLATE						1	
60		SD0640247TP		SHOULDER SCREW D=6.35 H=2.4						2	
61		22687008		LEAF SPRING						1	
62		SS9110460CP		SCREW 11/64-40 L=4						1	
63		40028641		ADJUSTING_SPRING						1	
64		22615702		OILADJUSTING BALL						1	
65		SM8061212TP		SCREW M6X12						1	
66		NM6060001CP		NUT M6						1	
67		CM300400901		LABEL_04_C	FOR CHINA					1	
68		SM8040412TP		SET SCREW M4 L=4						1	
69		40028843		LEVER_PIN_SCREW						1	
70		NM6050001SP		NUT M5						1	
71		40028844		REPOSITIONING_LEVER_SHAFT						1	
72		40028259		ASSY_REPOSITIONING_LEVER						1	
73		SM6050450TP		SCREW M5 L=4						1	

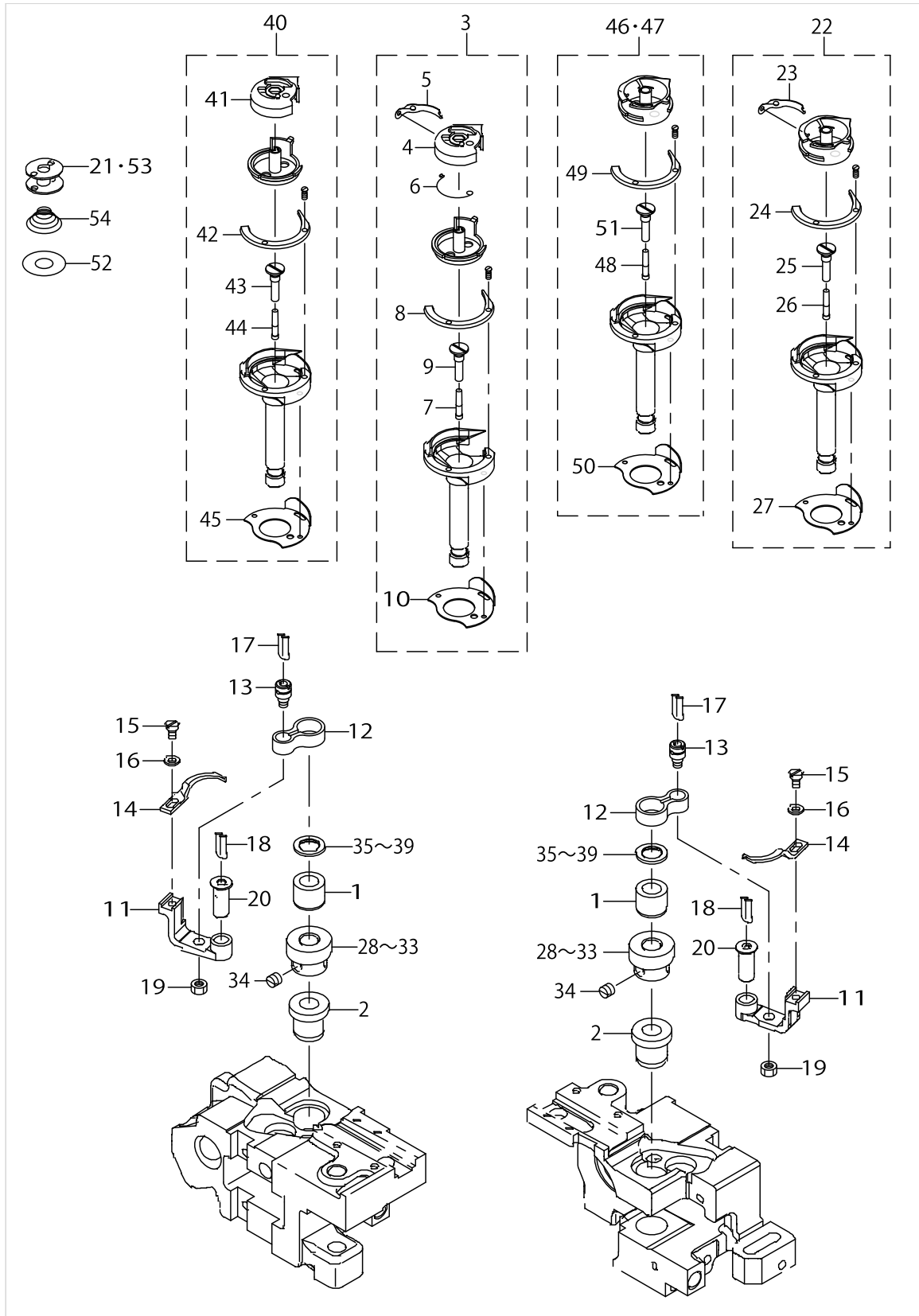
HOOK & HOOK DRIVING SHAFT COMPONENTS (1)



HOOK & HOOK DRIVING SHAFT COMPONENTS (1)

No.	Supply Code	Parts No.	Replacement	Parts name	Remarks	Choice	Step	Level	Cons	Qty	Rep. QTY
1		40042121		HOOK_UPPER_BUSH						2	
2		40104436		HOOK_LOWER_BUSH						2	
3		40091144		ASSY-CAP_HOOK	FOR LH-3568A				☆	2	
4		22688154		BOBBIN CASE ASM.				*		1	
5		22688402		TENSION ADJUSTING SPRING				*	☆	2	
6		22688204		SPRING				*	☆	2	
7		11015906		OIL WICK				*		1	
8		40036689		HOOK_GIB_TRIM				*		2	
9		40012085		OIL_PLUG				*		2	
10		22612303		NEEDLE POSITIONER				*		2	
11		B1822051000		OPENING LEVER CRANK						2	
12		B1820563000		BOBBIN CASE OPENING LEVER LINK						2	
13		B1821051000		CRANK SCREW STUD						2	
14		22613509		BOBBIN CASE OPENING LEVER						2	
15		SS6090810TP		SCREW 9/64-40 L=7.5						2	
16		WP0371016SD		WASHER 3.7X8X1						2	
17		CQ202000000		OIL WICK						.3	
18		CQ202000000		OIL WICK						.3	
19		NS6110420SP		NUT 11/64-40						2	
20		B1823051000		OPENING LEVER CRANK PIN						2	
21		B9117051000		BOBBIN					☆	2	
22		40091143		ASSY-RATCH_HOOK	FOR LH-3528A				☆	2	
23		22612402		BOBBIN CASE TENSION SPRING				*	☆	2	
24		40036689		HOOK_GIB_TRIM				*		2	
25		40012085		OIL_PLUG				*		2	
26		11015906		OIL WICK				*	☆	1	
27		22612303		NEEDLE POSITIONER				*		2	
28		40040549		HOOK_SHAFT_GEAR-E	SELECTIVE PARTS				☆	2	
29		40040550		HOOK_SHAFT_GEAR-F	SELECTIVE PARTS				☆	2	
30		40028560		HOOK_SHAFT_GEAR-A	SELECTIVE PARTS					2	
31		40028561		HOOK_SHAFT_GEAR-B	SELECTIVE PARTS					2	
32		40028562		HOOK_SHAFT_GEAR-C	SELECTIVE PARTS					2	
33		40028563		HOOK_SHAFT_GEAR-D	SELECTIVE PARTS					2	
34		SM8060550TP		SCREW M6 L=4.5						6	
35		22614002		THRUST WASHER, A	SELECTIVE PARTS					2	
36		22614101		THRUST WASHER, B	SELECTIVE PARTS					2	
37		22614200		SPACER, C	SELECTIVE PARTS					2	
38		10112605		THRUST WASHER 1.7	SELECTIVE PARTS					2	
39		10112704		THRUST WASHER 1.8	SELECTIVE PARTS					2	
40		40036685		ASSY-CAP_HOOK_TRIM	FOR LH-3568A-7				☆	1	
41		22688105		BOBBIN CASE				*		1	
42		40036689		HOOK_GIB_TRIM				*		2	
43		40012085		OIL_PLUG				*		2	
44		11015906		OIL WICK				*		1	
45		22612303		NEEDLE POSITIONER				*		1	
46		40036683		ASSY-RATCH_HOOK_TRIM	FOR LH-3528A-7				☆	1	

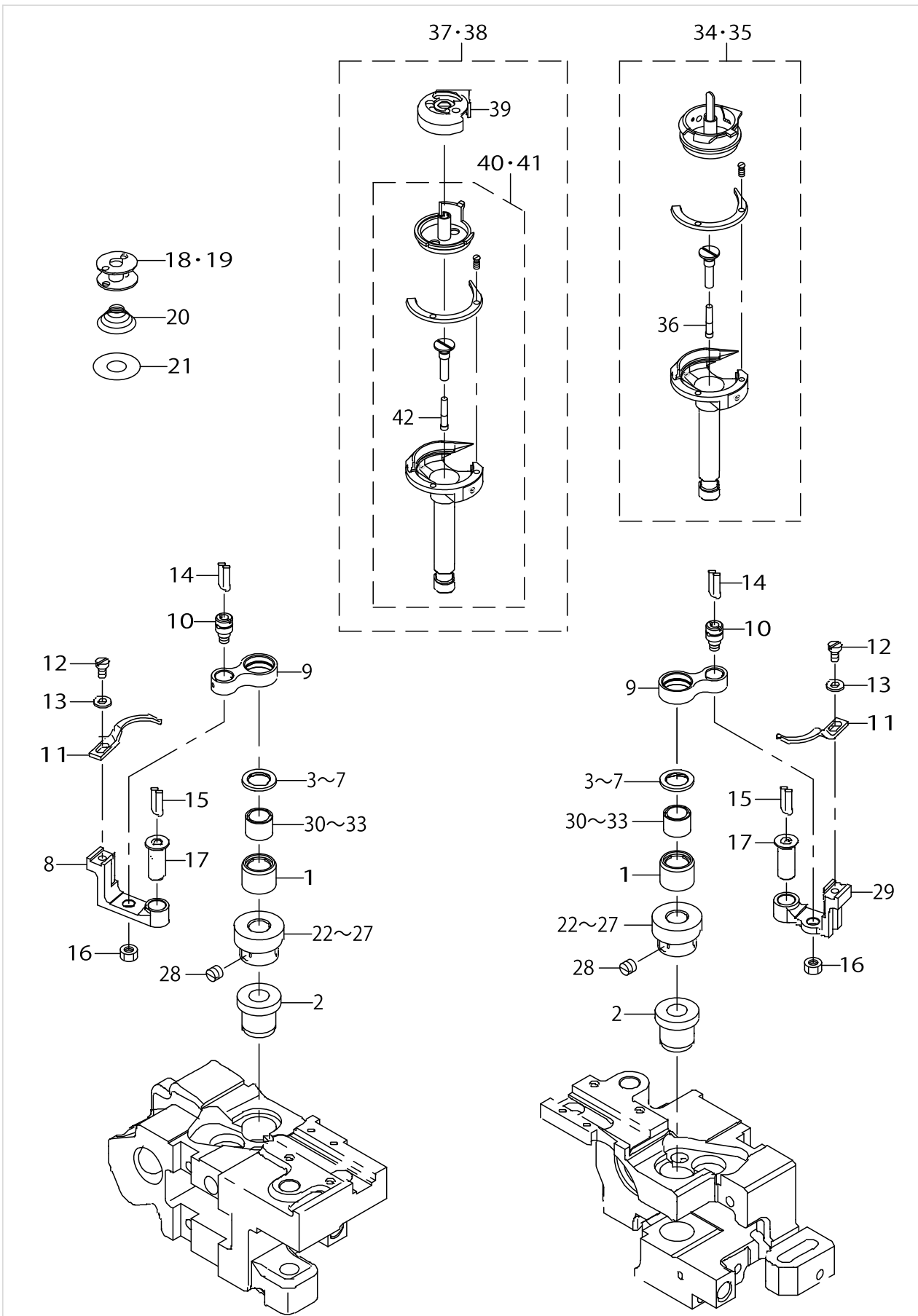
HOOK & HOOK DRIVING SHAFT COMPONENTS (1)



HOOK & HOOK DRIVING SHAFT COMPONENTS (1)

No.	Supply Code	Parts No.	Replacement	Parts name	Remarks	Choice	Step	Level	Cons	Qty	Rep. QTY
47		40036682		ASSY-RATCH_HOOK	FOR LH-3-528A(TYPE A,F)					1	
48		11015906		OIL WICK				*		1	
49		40036689		HOOK_GIB_TRIM				*		2	
50		22612303		NEEDLE POSITIONER				*		1	
51		40012085		OIL_PLUG				*		2	
52		22653802		SHEET	FOR LH-3-528A-7,LH-3568A-7				☆	1	
53		10210805		HARD ALUMITE BOBBIN	FOR LH-3-528A-7,LH-3568A-7				☆	1	
54		10111508		SPRING	FOR LH-3-528A-7,LH-3568A-7				☆	1	

HOOK & HOOK DRIVING SHAFT COMPONENTS (2)(FOR LH-3578A,3578A-7,3588A,3588A-7)



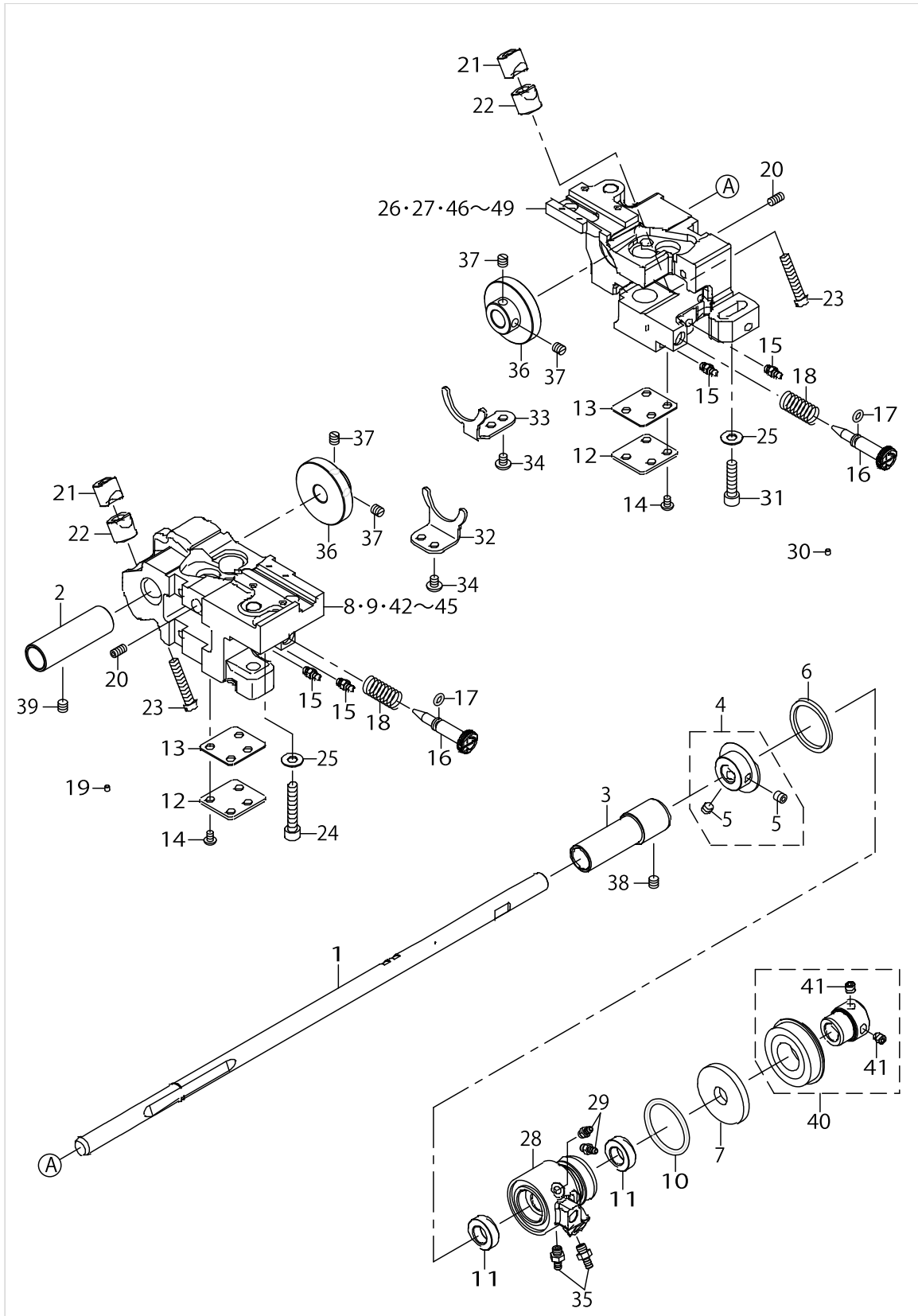
HOOK & HOOK DRIVING SHAFT COMPONENTS (2)(FOR LH-3578A,3578A-7,3588A,3588A-7)

No.	Supply Code	Parts No.	Replacement	Parts name	Remarks	Choice	Step	Level	Cons	Qty	Rep. QTY
1		40050003		HOOK_SHAFT_BUSH_A						2	
2		40104436		HOOK_LOWER_BUSH						2	
3		10111201		THRUST WASHER, F	SELECTIVE PARTS					2	
4		10109809		THRUST WASHER, B	SELECTIVE PARTS					2	
5		10112506		THRUST WASHER 1.6	SELECTIVE PARTS					2	
6		10111003		THRUST WASHER 1.2	SELECTIVE PARTS					2	
7		10111102		THRUST WASHER 1.3	SELECTIVE PARTS					2	
8		22813109		OPENING LEVER CRANK						1	
9		22813000		BOBBIN CASE OPENING LEVER LINK						2	
10		B1821051000		CRANK SCREW STUD						2	
11		40057361		OPENING_LEVER						2	
12		SS6090810TP		SCREW 9/64-40 L=7.5						2	
13		WP0371016SD		WASHER 3.7X8X1						2	
14		CQ202000000		OIL WICK						.3	
15		CQ202000000		OIL WICK						.3	
16		NS6110420SP		NUT 11/64-40						2	
17		B1823051000		OPENING LEVER CRANK PIN						2	
18		B9117563000		BOBBIN	FOR LH-3-578A,3588A				☆	2	
19		10231603		BOBBIN	FOR LH-3-578A-7,3588A-7				☆	2	
20		40055358		SPRING_L	FOR LH-3-578A-7,3588A-7				☆	2	
21		22819809		SHEET	FOR LH-3-578A-7,3588A-7				☆	2	
22		40028560		HOOK_SHAFT_GEAR-A	SELECTIVE PARTS					2	
23		40028561		HOOK_SHAFT_GEAR-B	SELECTIVE PARTS					2	
24		40028562		HOOK_SHAFT_GEAR-C	SELECTIVE PARTS					2	
25		40028563		HOOK_SHAFT_GEAR-D	SELECTIVE PARTS					2	
26		40040549		HOOK_SHAFT_GEAR-E	SELECTIVE PARTS					2	
27		40040550		HOOK_SHAFT_GEAR-F	SELECTIVE PARTS					2	
28		SM8060550TP		SCREW M6 L=4.5						6	
29		40053371		INNERHOOK_GUIDE_ARM_R						1	
30		SB30953010A		NEEDLE BEARING 9.525X9.52	SELECTIVE PARTS					2	
31	D	SB30953010B		NEEDEL BEARING	SELECTIVE PARTS					2	
32		SB30953010C		NEEDLE BEARING 9.525X9.52	SELECTIVE PARTS					2	
33		SB30953010D		BEARING	SELECTIVE PARTS					2	
34		40043333		ASSY_RATCH_LARGEHOOK	FOR LH-3578A				☆	1	
35		40043334		ASSY_RATCH_LARGEHOOK(T)	FOR LH-3578A-7				☆	1	
36		11015906		OIL WICK				*		1	
37		40043335		ASSY_LARGEHOOK	FOR LH-3588A				☆	1	
38		40043336		ASSY_LARGEHOOK(T)	FOR LH-3588A-7				☆	1	
39		22827257		BOBBIN CASE ASM.	FOR LH-3-588A,3588A-7				*	1	
40		40059786		LARGE HOOK EXCEPT CAP	FOR LH-3588A				*	1	
41		40059787		LARGE HOOK TRIM EXCEPT CAP	FOR LH-3588A-7				*	1	
42		11015906		OIL WICK					*	1	

HOOK & HOOK DRIVING SHAFT COMPONENTS (3)

No.	Supply Code	Parts No.	Replacement	Parts name	Remarks	Choice	Step	Level	Cons	Qty	Rep. QTY
1		40028271		LOWER_SHAFT						1	
2		40104434		LOWER_SHAFT_BUSH-F						1	
3		40104435		LOWER_SHAFT_BUSH-M						1	
4		40031351		ASSY-LOWER_SHAFT_COLLAR						1	
5		SM8060612TP		SCREW M6 L=6				*		2	
6		40013061		THRUST_WASHER						1	
7		23618804		OIL SEAL						1	
8		40028485		HOOK_SHAFT_BASE-L	FOR LH-3-528A,3568A (EXCEPT CHINA)					1	
9		40028487		HOOK_SHAFT_BASE-L-TRIM	FOR LH-3-528A-7,35-68A-7 (EXCEPT CHINA)					1	
10		RO257350100		O-RING						1	
11		22888507		OIL SEAL						2	
12		40022589		BOTTOM_COVER						2	
13		40022590		BOTTOM_COVER_GASKET						2	
14		SM4050855SP		SCREW						8	
15		SQ2050453MZ		CONNECTING SCREW						4	
16		40042141		OIL_ADJUSTING_SCREW						2	
17		RO044240100		RUBBER RING						2	
18		40029570		OIL_ADJUSTING_SPRING						2	
19		TA0290301M0		PLUG						6	
20		SM8051002TP		SCREW M5 L=10						2	
21		10109908		SADDLE INSTALLING BLOCK, UPPER						2	
22		10112407		SADDLE INSTALLING BLOCK, LOWER						2	
23		SS6153040SP		SCREW 15/64-28L=30						2	
24		SM6063750SP		SCREW M6 L=37						1	
25		WP0621046SP		WASHER						2	
26		40043922		L-HOOK_SHAFT_BASE-R	FOR LH-3-578A,3588A					1	
27		40043924		L-HOOK_SHAFT_BASE-R-TRIM	FOR LH-3-578A-7,3588A-7					1	
28		40011947		LOWER_PLUNGER_BUSH						1	
29		SQ2050453MZ		CONNECTING SCREW						2	
30		TA0290301M0		PLUG						6	
31		SM6062500SP		SCREW M6 L=25						1	
32		40028495		GEAR_GUIDE-L						1	
33		40028496		GEAR_GUIDE-R						1	
34		SM4050655SP		SCREW M5 L=6						4	
35		SQ2060451MZ		CONNECTING SCREW						2	
36		40028489		LOWER_SHAFT_GEAR						2	
37		SM8060610TP		SCREW						4	
38		SM8060612TP		SCREW M6 L=6						1	
39		SM8060612TP		SCREW M6 L=6						1	
40	R	40028656	40150033	ASSY-LOWER_SHAFT_BEARING						1	1.00
41		SM8060612TP		SCREW M6 L=6				*		2	
42		40034969		HOOK_SHAFT_BASE_L	FOR LH-3-528A,3568A(CHINA)					1	

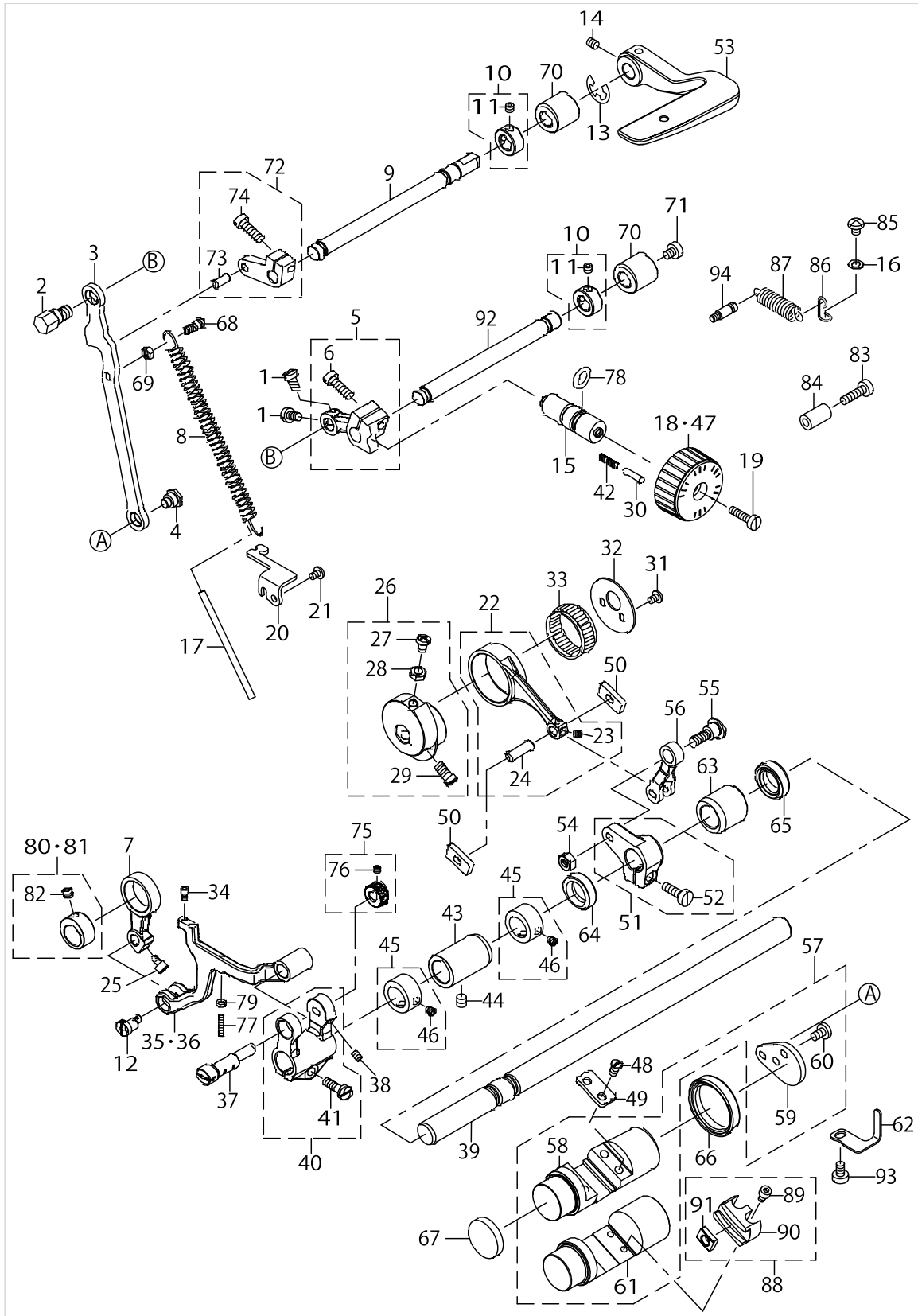
HOOK & HOOK DRIVING SHAFT COMPONENTS (3)



HOOK & HOOK DRIVING SHAFT COMPONENTS (3)

No.	Supply Code	Parts No.	Replacement	Parts name	Remarks	Choice	Step	Level	Cons	Qty	Rep. QTY
43		40034971		HOOK_SHAFT_BASE_L-TRIM	FOR LH-3-528A-7, 35-68A-7(CHINA)					1	
44		40043921		L-HOOK_SHAFT_BASE-L	FOR LH-3-578A,3588A					1	
45		40043923		L-HOOK_SHAFT_BASE-L-TRIM	FOR LH-3-578A-7,3588A-7					1	
46		40028486		HOOK_SHAFT_BASE-R	FOR LH-3-528A,3568A (EXCEPT CHINA)					1	
47		40028488		HOOK_SHAFT_BASE-R-TRIM	FOR LH-3-528A-7,35-68A-7 (EXCEPT CHINA)					1	
48		40034970		HOOK_SHAFT_BASE_R	FOR LH-3-528A,3568A(CHINA)					1	
49		40034972		HOOK_SHAFT_BASE_R-TRIM	FOR LH-3-528A-7, 35-68A-7(CHINA)					1	

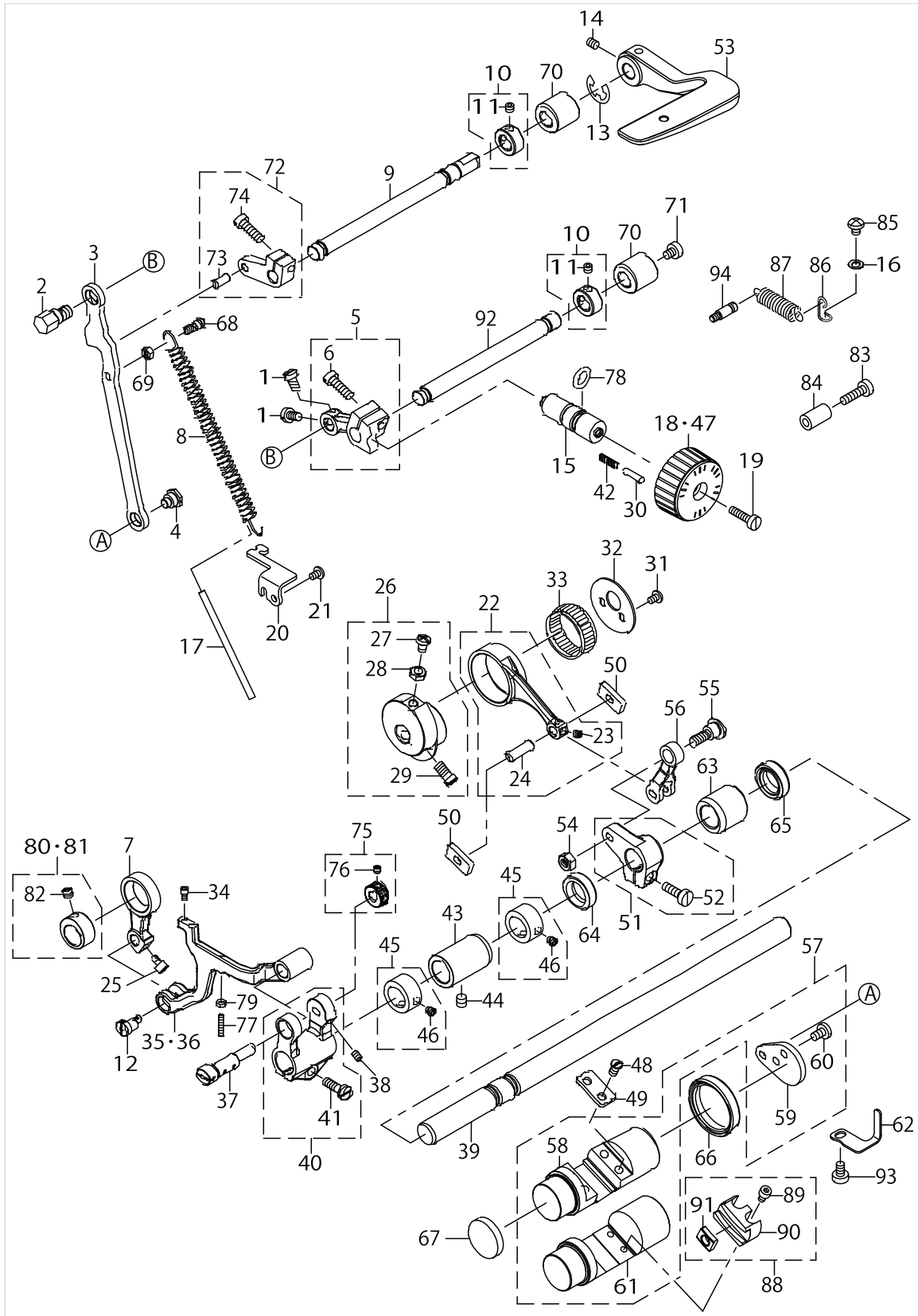
FEED MECHANISM COMPONENTS



FEED MECHANISM COMPONENTS

No.	Supply Code	Parts No.	Replacement	Parts name	Remarks	Choice	Step	Level	Cons	Qty	Rep. QTY
1		SM6050800SP		SCREW M5 L=8						2	
2		40028293		FEED_REGULATOR_ROD_PIN						1	
3		40028284		FEED_REGULATOR_ROD						1	
4		SD0900426TP		SHOULDER SCREW D=9 H=4.2						1	
5		40028854		ASSY_FEED_REGULATOR						1	
6		SM6051600SP		SCREW M5 L=16				*		1	
7		40011935		VERTICAL_FEED_LINK						1	
8		40025315		FEED_ADJUST_SPRING						1	
9		40028286		REVERSE_FEED_SHAFT						1	
10		40032269		THRUST COLLAR						1	
11		SM80506A2TP		SCREW M5 L=6				*		2	
12	R	40026673	40011936	VERTICAL_F_LINK_SHAFT_M						1	1.00
13		RE0900000K0		E-RING 9	FOR LH-3-528A-7,35-68A-7, 357-8A-7,3588A-7					1	
14		SM80506A2TP		SCREW M5 L=6	FOR LH-3-528A,3568-A,3578A, 3588A					1	
15		22911804		FEED REGULATOR SCREW						1	
16		WP0520656SA		WASHER 5.2X9.5X0.6						1	
17		BT0500300EA		OIL TUBE						.09	
18		40036433		FEED_DIAL						1	
19		SS6121860SP		SCREW 3/16-28 L=18						1	
20		40091188		SPRING_BRACKET	FOR LH-3-528A,3568-A,3578A, 3588A					1	
21		SM4040655SP		SCREW M4 L=6						2	
22		40032293		ASSY_FEED_ROCKER_ROD						1	
23		SM8040412TP		SET SCREW M4 L=4				*		1	
24	R	B1653470000	40032271	PIN				*		1	1.00
25		SM6750690TP		SCREW M3.5 L=6						1	
26		40031348		ASSY_FD_ECCENTRIC_CAM						1	
27		SM4051255SP		SCREW..M5 L=12.				*		1	
28		NM6050001SP		NUT M5				*		1	
29		SM6061150TP		SCREW M6 L=11				*		2	
30		40091190		FEED_ADJUSTING_PIN						1	
31		SM4040655SP		SCREW M4 L=6						2	
32		40011906		FD_CAM_LID						1	
33		B1636581B00		NEEDLE BEARING B						1	
34		SM6030672TP		SCREW M3 L=6						2	
35		40011946		FEED_BASE	FOR LH-3-528A,3568-A,3578A, 3588A					1	
36		40011934		FEED_BASE_TRIM	FOR LH-3-528A-7,35-68A-7, 357-8A-7,3588A-7					1	
37		40011932		FEED_BASE_SHAFT						1	
38		SM8040612TP		SCREW M4 L=6						1	
39		40028279		FEED_ROCKER_SHAFT						1	
40		40031349		ASSY_FEED_BASE_ARM						1	

FEED MECHANISM COMPONENTS



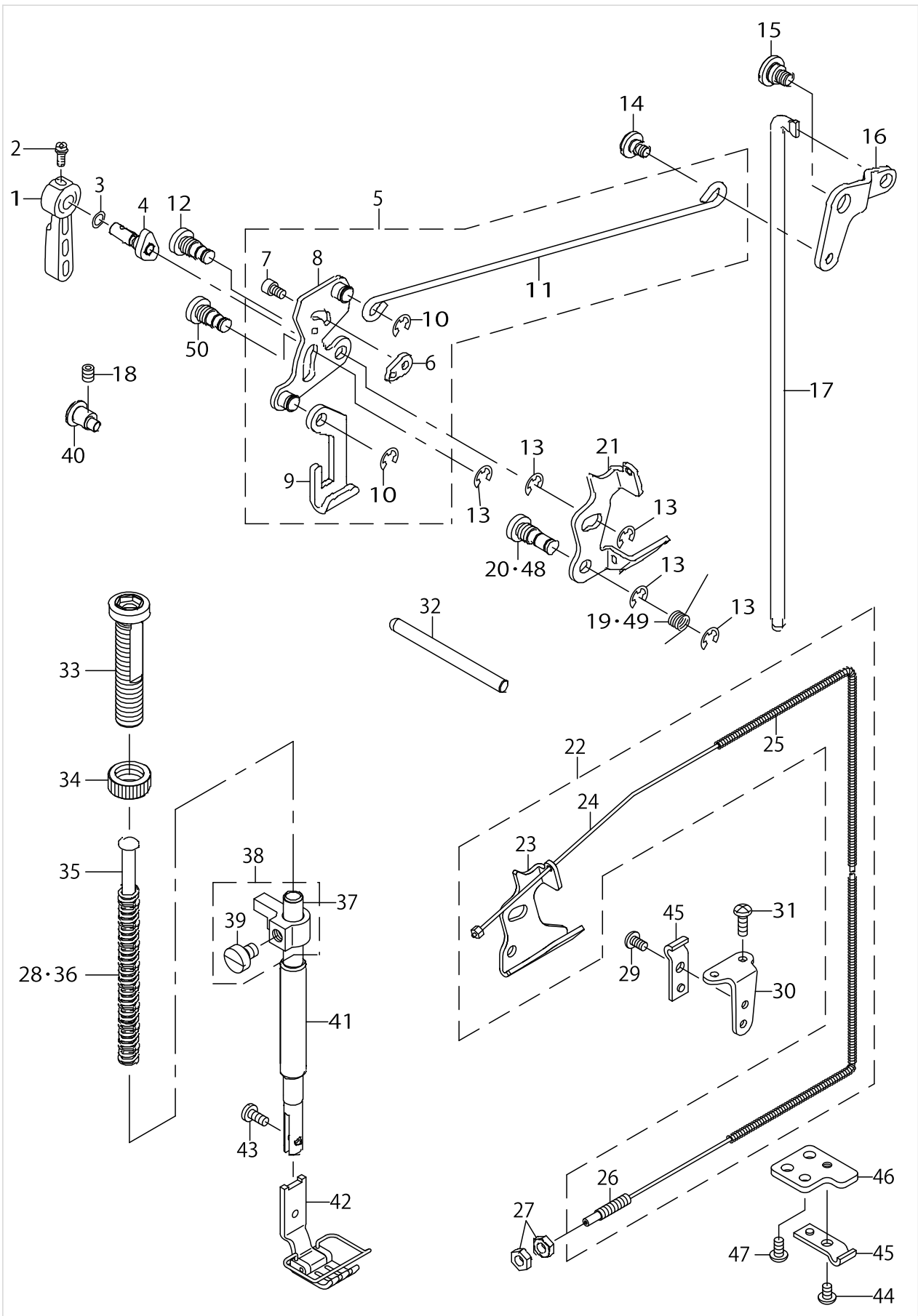
FEED MECHANISM COMPONENTS

No.	Supply Code	Parts No.	Replacement	Parts name	Remarks	Choice	Step	Level	Cons	Qty	Rep. QTY
41		SM6051400SP		SCREW				*		1	
42		22912109		FEED REGULATOR PIN SPRING						1	
43		40011939		FEED_SHAFT_BUSH_F						1	
44		SM8060612TP		SCREW M6 L=6						1	
45		40032268		THRUST COLLAR						2	
46		SM8050412TP		SCREW M5 L=4				*		2	
47		40050584		FEED DIAL 4	FOR LH-3-528A-0B, LH-3528A(TYPE F)					1	
48		SM7050850TP		SCREW M5 L=8	TYPE S					4	
49		40028277		FEED_ADJUSTING_PLATE	TYPE S					2	
50		40035704		FEED_ADJUSTING_BLOCK	TYPE S					2	
51		40028852		ASSY_FEED_ROCKER_ARM						1	
52		SM6051600SP		SCREW M5 L=16				*		1	
53		40091189		REVERSE_FEED_LEVER						1	
54		NM6060001CP		NUT M6						1	
55		SD0900706TP		SHOULDER SCREW D=9 H=7						1	
56		40036679		FEED_ROCKER_ARM_ROD						1	
57		40028274		ASSY_FEED_ADJUSTING	TYPE S					1	
58		40067594		FEED_ADJUSTING	TYPE S			*		1	
59		40028276		FEED_ADJUSTING_ARM				*		1	
60		SM7050850TP		SCREW M5 L=8				*		2	
61		40094318		SLIDER BASE ARC	TYPE G			*		1	
62		40091187		FEED_ADJUSTING_STOPPER						1	
63		40028280		FEED_SHAFT_BUSH_R						1	
64		40013362		FEED_SHAFT_OIL_SEAL_A						1	
65		40025316		FEED_SHAFT_OIL_SEAL_B						1	
66		40028291		FEED_ADJUSTING_OIL_SEAL						1	
67		40028294		FEED_ADJUSTING_CAP						1	
68		40011926		SPRING_HOOK						1	
69		NM6040001SP		NUT M4X0.7						1	
70		40028287		REVERSE_FEED_SHAFT_BUSH						2	
71		SM6050650TP		SCREW M5 L=6						1	
72		40028855		ASSY_REVERSE_FEED_ARM						1	
73		13319405		MAIN FEED ROCKER PIN				*		1	
74		SM6051600SP		SCREW M5 L=16				*		1	
75		40031350		ASSY_FEED_BASE_SAHFT_COLLAR						1	
76		SM8040412TP		SET SCREW M4 L=4				*		2	
77		SM8031612TP		SET SCREW M3X16						1	
78		RO092270200		RUBBER RING						1	
79		NM6030001SN		NUT						1	
80		40033668		ASSY_VERTICAL_FEED_CAM	TYPE S					1	
81		40095142		ASSY_VERTICAL_FEED_CAM_ARC	TYPE G					1	
82		SM8060552TP		SCREW M6 L=5				*		1	
83		SM6051850TP		SCREW M5 L=18						1	
84		22952501		BACK LEVER STOPPER						1	
85		SM4050655SP		SCREW M5 L=6						1	

FEED MECHANISM COMPONENTS

No.	Supply Code	Parts No.	Replacement	Parts name	Remarks	Choice	Step	Level	Cons	Qty	Rep. QTY
86		22656003		SPRINGSUSPENSION						1	
87		40040924		SPRING						1	
88		40096206		ASSY_SLIFER_ARC	TYPE G					2	
89		SM6040802TP		SCREW M4X0.7 L=8				*		2	
90	R	40094315	40096206	SLIDER ARC				*		1	1.00
91	R	40094316	40096206	FEED ADJUSTING BLOCK ARC				*		1	1.00
92		40028285		FEED_REGULATOR_SHAFT						1	
93		SM6050800SP		SCREW M5 L=8						1	
94	R	40040963	40120628	TENSION_SPRING_RACK_B						1	1.00

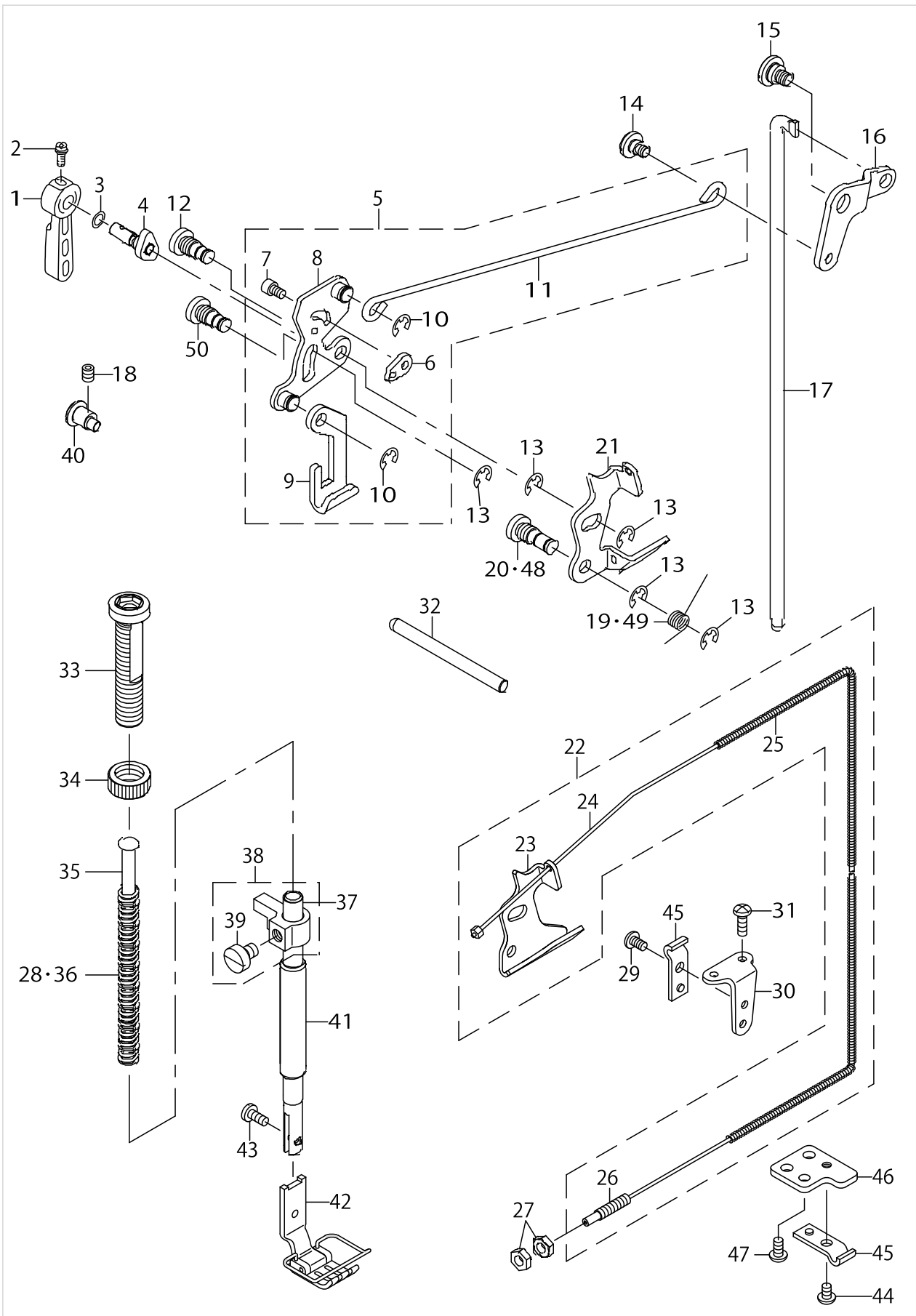
PRESSER BAR & TENSION RELEASE COMPONENTS



PRESSER BAR & TENSION RELEASE COMPONENTS

No.	Supply Code	Parts No.	Replacement	Parts name	Remarks	Choice	Step	Level	Cons	Qty	Rep. QTY
1		22907802		HAND LIFTER						1	
2		B1521555000		SCREW						1	
3		RO037180100		RUBBER RING						1	
4		40035394		HAND_LIFTER_CAM_ASM.						1	
5		40057398		ASSY LIFTING CONNECT ROD						1	
6		23609605		PLATE				*		1	
7		SM6040602TP		SCREW M4 L=6				*		1	
8	R	40051384	40057398	ASSY HAND LIFTER LINK				*		1	1.00
9	R	22908008	22908354	LIFTING PLATE		A	DDL-5550 5550N 555- ON-7 5556- N-7 5600NL-7	*		1	1.00
9	R	22908008	23609357	LIFTING PLATE		B	DDL-9000A 9000B	*		1	1.00
9	R	22908008	40057398	LIFTING PLATE		C	LH-3500	*		1	1.00
9	R	22908008	40174387	LIFTING PLATE		D	DDL-9000C	*		1	1.00
10		RE0500000K0		E-RING				*		2	
11		40035151		LIFTING_CONNECTING_ROD				*		1	
12		40028545		LINK_SHAFT						1	
13		RE0500000K0		E-RING						5	
14		SD0640357TP		SHOULDER SCREW						1	
15		SD0900356TP		SHOULDER SCREW D=9 H=3.5						1	
16		40035181		LIFTING_LEVER_LINK						1	
17		40028268		CONNECTING_ROD_A						1	
18		SM8050612TP		SCREW M5X6						1	
19		40053231		RETURN_SPRING						1	
20		40028546		TENSION_RELEASE_SHAFT						1	
21		40035298		TENSION_RELEASE_PLATE	FOR LH-3- 528A,3568- A,3578A, 3588A					1	
22		40035828		ASSY_TENSION_RELEASE_PLATE	FOR LH-3- 528A-7,35- 68A-7, 357- 8A-7,3588A-7					1	
23	R	40084941	40035828	TENSION_RELEASE_PLATE				*		1	1.00
24	R	40033434	40035828	THREAD_TENSION_RELEASE_WIRE				*		1	1.00
25	R	40033435	40125479	WIRE_TUBE		A	for LZ2284A	*		1	1.00
25	R	40033435	40035828	WIRE_TUBE		B	for LH3500A	*		1	1.00
26		D3159555B00		SET SCREW				*		1	
27		NS6620310SP		NUT 3/16-32	FOR LH-3- 528A-7,35- 68A-7, 357- 8A-7,3588A-7					2	
28		22907406		PRESSER SPRING	EXCEPT TYPE A					1	
29		SS4110715SP		SCREW 11/64-40 L=7	FOR LH-3- 528A-7,35- 68A-7, 357- 8A-7,3588A-7					1	
30		D3163555B00A		FLEXIBLE TUBE SUPPORT PLATE	FOR LH-3- 528A-7,35- 68A-7, 357- 8A-7,3588A-7					1	
31		SS4111215SP		SCREW 11/64-40L=12	FOR LH-3- 528A-7,35- 68A-7, 357- 8A-7,3588A-7					2	
32		40084419		PUSH_BAR						1	

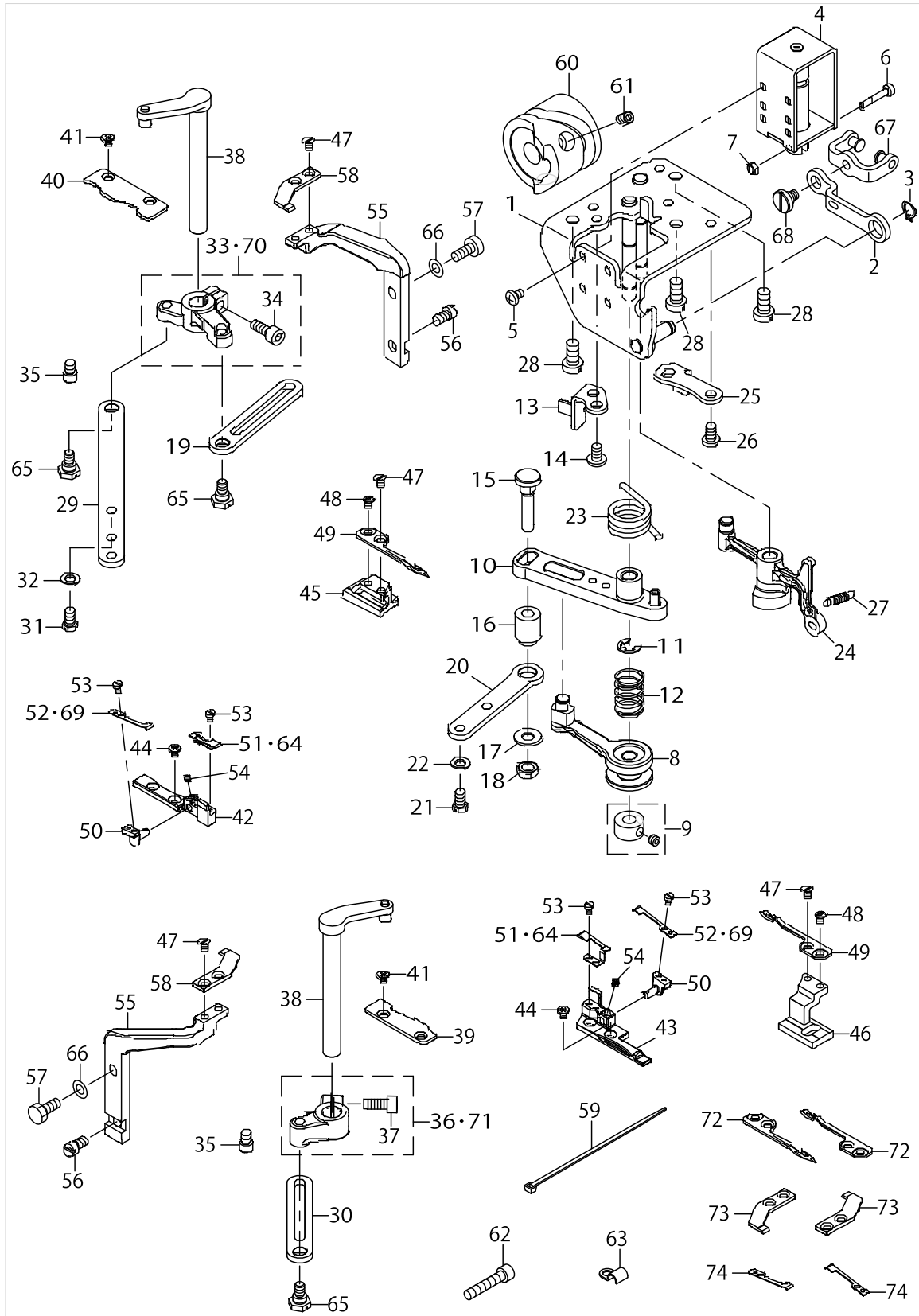
PRESSER BAR & TENSION RELEASE COMPONENTS



PRESSER BAR & TENSION RELEASE COMPONENTS

No.	Supply Code	Parts No.	Replacement	Parts name	Remarks	Choice	Step	Level	Cons	Qty	Rep. QTY
33		23609209		PRESSER SPRING REGULATOR						1	
34	R	22907604	22907554	PRESSER SPRING REGULATOR NUT						1	1.00
35		22907703		PRESSER GUIDE BAR						1	
36		B1505227T00A		PRESSER SPRING	TYPE A					1	
37		40028547		PRESSER BAR						1	
38		40032272		ASSY_PRESSER BAR HOLDER						1	
39		SM6060800SP		SCREW M6 L=8				*		1	
40		40028269		LIFTER_ADJUSTING_PIN						1	
41		23609001		BUSHING						1	
42		22640551		PRESSER FOOT ASM.	EXCHANGI- NG GAUGE PARTS (S- EEP.41 TO 49)					1	
43		SS7090910TP		SCREW 9/64-40 L=8.5						1	
44		SM4040655SP		SCREW M4 L=6	FOR LH-3- 528A-7,35- 68A-7, 357- 8A-7,3588A-7					1	
45		D3164555B00		OUTER PRESSER PLATE	FOR LH-3- 528A-7,35- 68A-7, 357- 8A-7,3588A-7					2	
46		40050314		OUTER_HOLDER_BASE	FOR LH-3- 528A-7,35- 68A-7, 357- 8A-7,3588A-7					1	
47		SM4040855SP		SCREW	FOR LH-3- 528A-7,35- 68A-7, 357- 8A-7,3588A-7					1	
48		40085773		TENSION_RELEASE_SHAFT	FOR LH-3- 528A-7,35- 68A-7, 357- 8A-7,3588A-7					1	
49		40085717		RETURN_SPRING	FOR LH-3- 528A-7,35- 68A-7, 357- 8A-7,3588A-7					1	
50		40102831		LINK SHAFT						1	

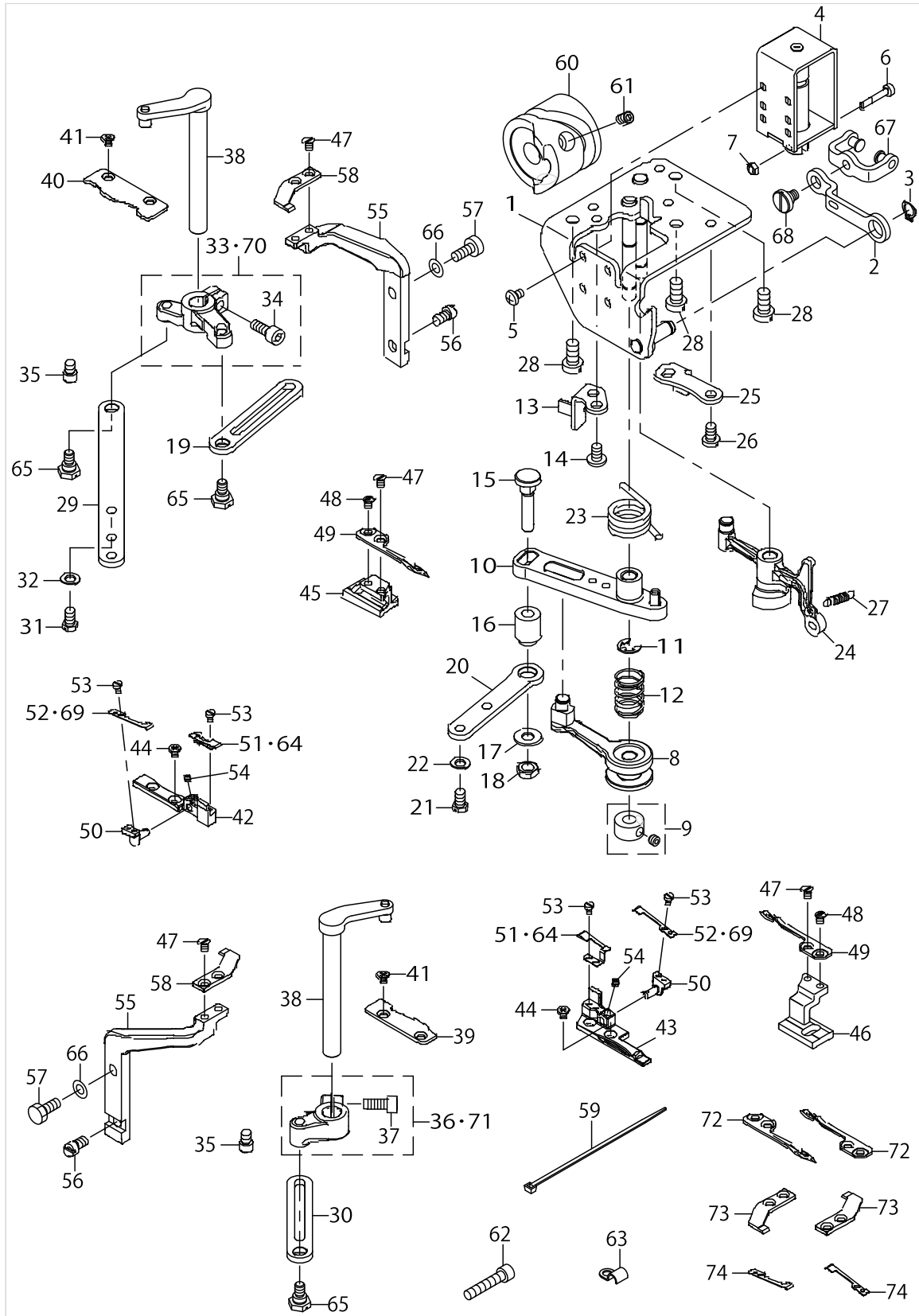
THREAD TRIMMER MECHANISM COMPONENTS (FOR LH-3528A-7,3568A-7,3578A-7,3588A-7)



THREAD TRIMMER MECHANISM COMPONENTS (FOR LH-3528A-7,3568A-7,3578A-7,3588A-7)

No.	Supply Code	Parts No.	Replacement	Parts name	Remarks	Choice	Step	Level	Cons	Qty	Rep. QTY
1		40066128		ASSY_BASE_PLATE						1	
2	R	40065712	40065721	TRM_PUSH_LINK						1	1.00
3		RC0650811KP		RETAINING RING						1	
4		40108582		THREAD_TRIMMER_SOLENOID						1	
5		SM4040601SC		SCREW M4X0.7 L=6						4	
6		23542418		CLUTCH LINK PIN						1	
7		NM6030001SC		NUT M3						2	
8		40017399		ASSY_TRM_ROLLER_ARM						1	
9		40010434		THRUST_COLLAR_ASM.						1	
10		22948558		KNIFE DRIVING ARM ASM.						1	
11		RE0600000K0		E-RING 6						1	
12		40017400		ROLLER_ARM_SPRING						1	
13		40017361		TRM_DRIVING_ARM_STOPPER						1	
14		SM4050855SP		SCREW						2	
15		40017401		TRM_DRIVING_LINK_PIN						1	
16		40017402		TRM_DRIVING_LINK_BUSH						1	
17		WP0621046SP		WASHER						1	
18		NM6060003SC		NUT M6						1	
19		40012505		CONNECTING_ROD_B						1	
20		40012506		CONNECTING_ROD_C						1	
21		SM9050850SP		SCREW						2	
22		WP0531000SD		WASHER M5						2	
23		40017403		TRM_DRIVING_ARM_SPRING						1	
24		40015669		ASSY_THREAD_RELEASE_ARM						1	
25		40017362		RELEASE_ARM_STOPPER						1	
26		SM4050855SP		SCREW						2	
27		11305901		SPRING						1	
28		SM6061200SP		SCREW						3	
29		40012504		CONNECTING_ROD_A						1	
30		40012505		CONNECTING_ROD_B						1	
31		SM9050850SP		SCREW						2	
32		WP0531000SD		WASHER M5						2	
33		40031352		ASSY_KNIFE_DRIVING_ARM_R	FOR LH-3-528A-7,3568A-7					1	
34		SM6051202TP		SCREW M5X0.8 L=12				*		1	
35		40012503		KNIFE_DRIVING_ARM_PIN						2	
36		40036446		ASSY_KNIFE_DRIVING_ARM_L	FOR LH-3-528A-7,3568A-7					1	
37		SM6051202TP		SCREW M5X0.8 L=12				*		1	
38		40012497		ASSY_KNIFE_BASE_SHAFT						2	
39		40012492		D_KNIFE_BASE_GUIDE_L						1	
40		40021883		D_KNIFE_BASE_GUIDE_R						1	
41		SM1030501SN		SCREW M3 L=5						4	
42		40021899		D_KNIFE_SUPPORT_R						1	
43		40021898		D_KNIFE_SUPPORT_L						1	
44		SM1030501SN		SCREW M3 L=5						4	
45		40012488		DRIVING_KNIFE_BASE_R						1	

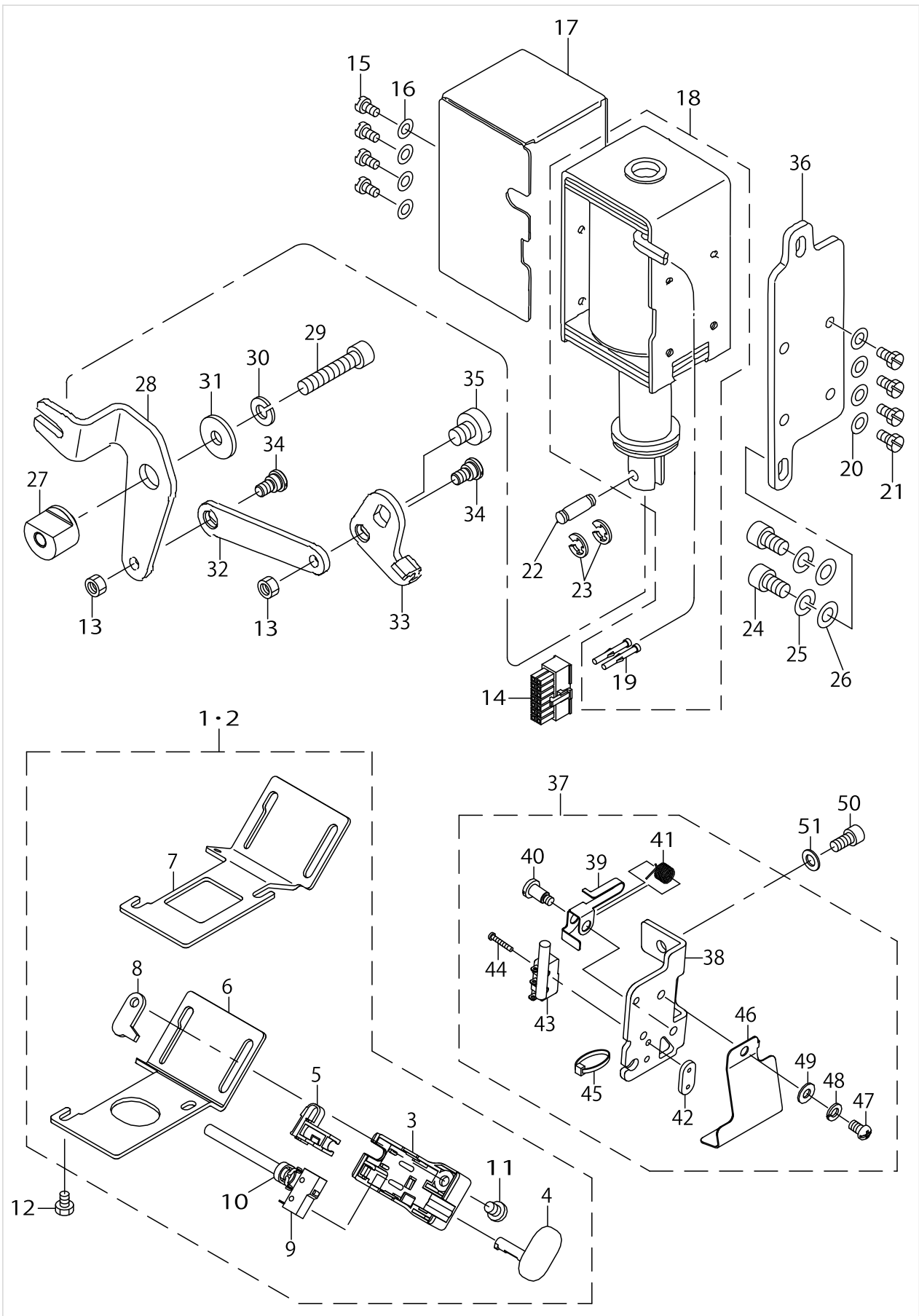
THREAD TRIMMER MECHANISM COMPONENTS (FOR LH-3528A-7,3568A-7,3578A-7,3588A-7)



THREAD TRIMMER MECHANISM COMPONENTS (FOR LH-3528A-7,3568A-7,3578A-7,3588A-7)

No.	Supply Code	Parts No.	Replacement	Parts name	Remarks	Choice	Step	Level	Cons	Qty	Rep. QTY
46		40012487		DRIVING_KNIFE_BASE_L						1	
47		SS1090520TP		SCREW 9/64-40 L=5						6	
48		SS6090580TP		SCREW 9/64-40 L=4.5						2	
49		40109415		DRIVING_KNIFE					☆	2	
50		40012495		CLAMP_SPRING_BASE						2	
51		40044393		CLAMP	OPTIONAL PARTS				☆	2	
52		40033160		CLAMP_SPRING	OPTIONAL PARTS				☆	2	
53		SM6850400SP		SCREW M2.5 L=4						6	
54		SM8030312TP		SCREW M3 L=3						2	
55		40012489		FIXED_KNIFE_BASE						2	
56		40012496		FIXED_KNIFE_BASE_ADJUST						2	
57		SM9051203CP		SCREW M5 L=12						2	
58		40012404		FIXED_KNIFE					☆	2	
59		EA9500B0100		CABLE BAND						2	
60		40013316		THREAD_TRIMMER_CAM						1	
61		SM80606A2TP		SCREW M6 L=6						2	
62		SM6052502TP		SCREW M5X0.8 L=25						1	
63		B3538112000		OIL_RETURN_TUBE HOLDER						1	
64		40076709		CLAMP					☆	2	
65		SD0700346TP		SHOULDER SCREW D=7 H=3.4						3	
66		WP0531000SD		WASHER M5						2	
67		40065722		ASSY_TRM_PUSH_LINK						1	
68		SD0700336TP		SHOULDER SCREW						1	
69		40076708		CLAMP_SPRING					☆	2	
70		40021726		KNIFE_DRIVING_ARM_R_LH	FOR LH-3-578A-7,3588A-7					1	
71		40012500		KNIFE_DRIVING_ARM_L	FOR LH-3-578A-7,3588A-7					1	
72		40098762		DRIVING_KNIFE	OPTIONAL PARTS				☆	2	
73		40098763		FIXED_KNIFE	OPTIONAL PARTS				☆	2	
74		40098764		CLAMP	OPTIONAL PARTS				☆	2	

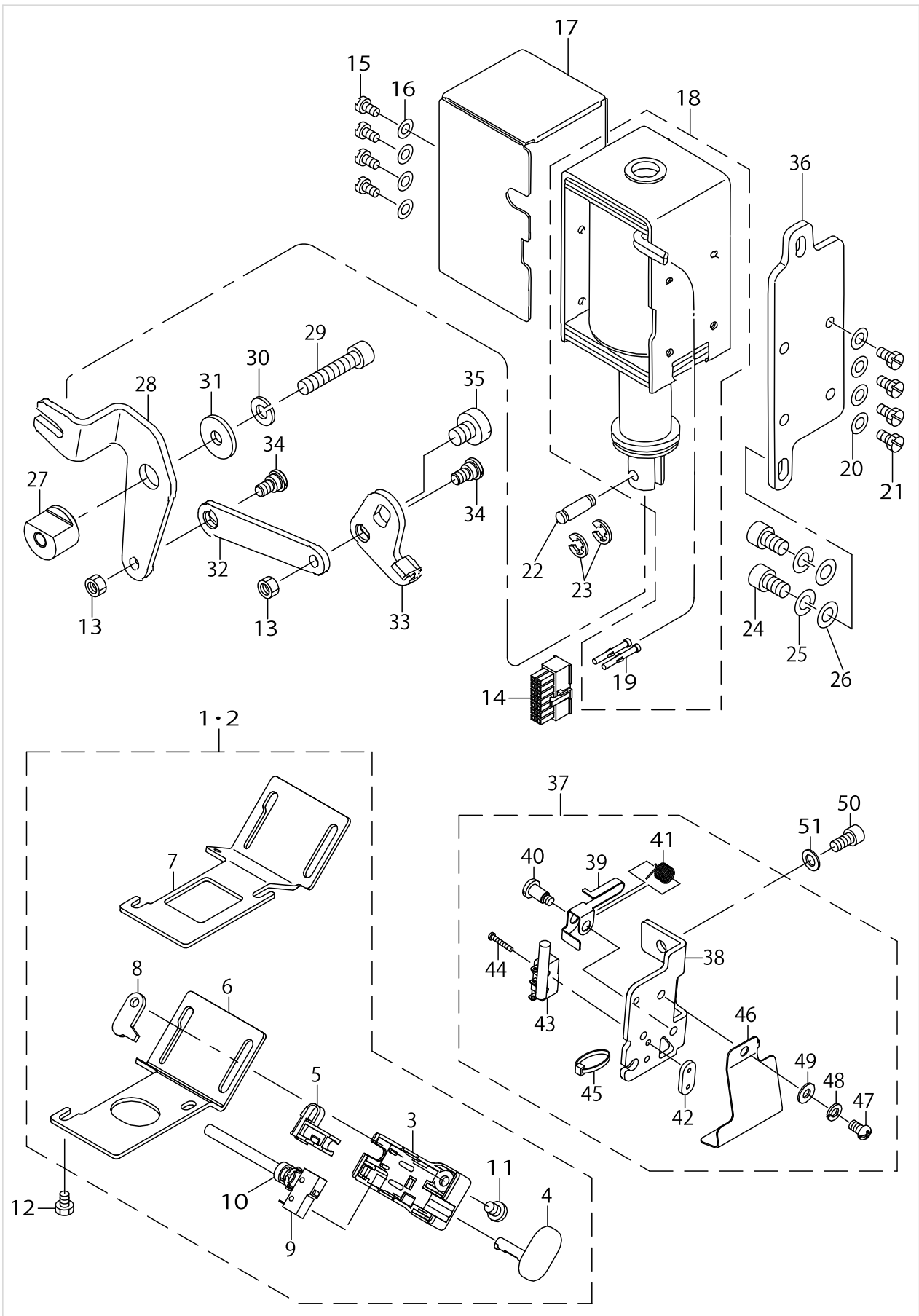
AUTOMATIC REVERSE FEED MECHANISM COMPONENTS



AUTOMATIC REVERSE FEED MECHANISM COMPONENTS

No.	Supply Code	Parts No.	Replacement	Parts name	Remarks	Choice	Step	Level	Cons	Qty	Rep. QTY
1		40091208		ASSY_RVS_FEED_SWITCH_A	FOR LH-3-528A-7,3578A-7					1	
2		40091209		ASSY_RVS_FEED_SWITCH_B	FOR LH-3-568A-7,3588A-7					1	
3		23631708		REVERSE FEED SWITCH COVER				*		1	
4		23631807		REVERSE FEED SWITCH SHAFT				*		1	
5		23631906		REVERSE FEED SWITCH SUPPORT				*		1	
6		40091257		RVS_FEED_SWITCH_BASE_A	FOR LH-3-528A-7,3578A-7			*		1	
7		40091256		RVS_FEED_SWITCH_BASE_B	FOR LH-3-568A-7,3588A-7			*		1	
8		23632102		REVERSE FEED SWITCH BASE GUIDE				*		1	
9		40093523		REVERSE FEED CORD ASM.				*		1	
10		EA9500B0100		CABLE BAND				*		1	
11		SS7110740TP		SCREW 11/64-40 L=7				*		1	
12		SM9040603SC		SCREW M4 L=6						2	
13		NM6050001SP		NUT M5						2	
14		HK034610140		HOUSING 14P						1	
15		SS7110710SP		SCREW 11/64-40 L=7						4	
16		WP0501016SD		WASHER 5X10.5X1						4	
17		40091211		MAGBET_COVER						1	
18		40036360		REVERSE_FEED_SOLENOID						1	
19		HK03464000B		PIN CONTACT				*		2	
20		WP0501016SD		WASHER 5X10.5X1						4	
21		SS9111010SP		SCREW 11/64-40 L=9.5						4	
22		D2464555B00		LINK DRIVING MAGNET PIN						1	
23		RE0400000K0		E-RING 4						2	
24		SM6061202TP		SCREW M6 L=12						2	
25		WS0631510KP		SPRING WASHER						2	
26		WP0621016SD		WASHER 6.2X13X1						2	
27		40030856		LINK_FULCULUM						1	
28		40100131		REVERSEFEEDLINKL						1	
29		SM6063002TP		SCREW M6 L=30						1	
30		WS0610002KP		SPRING WASHER						1	
31		WP0612056SD		WASHER 6.1X18.5X2						1	
32		40035278		REVERSE_FEED_LINK_B						1	
33		40035277		REVERSE_FEED_LINK_A						1	
34		SD0700328TP		SHOULDER SCREW D=7 H=3.2						2	
35		SM6050650TP		SCREW M5 L=6						1	
36		10119204		SOLENOID INSTALLING PLATE						1	
37		40091210		ASSY_SAFETY_SWITCH						1	
38		40091246		SAFETY_SWITCH_BASE				*		1	
39		23638109		SAFETY SWITCH ARM				*		1	
40		23638307		SAFETY SWITCH ARM SHAFT				*		1	
41	R	23638208	23638059	SAFETY SWITCH SPRING				*		1	1.00
42	R	23638406	23638059	SAFETY SWITCH NUT				*		1	1.00
43		40098612		SAFETY SWITCH CORD ASM.				*		1	
44		SM4021201SC		SCREW M2 L=12				*		2	

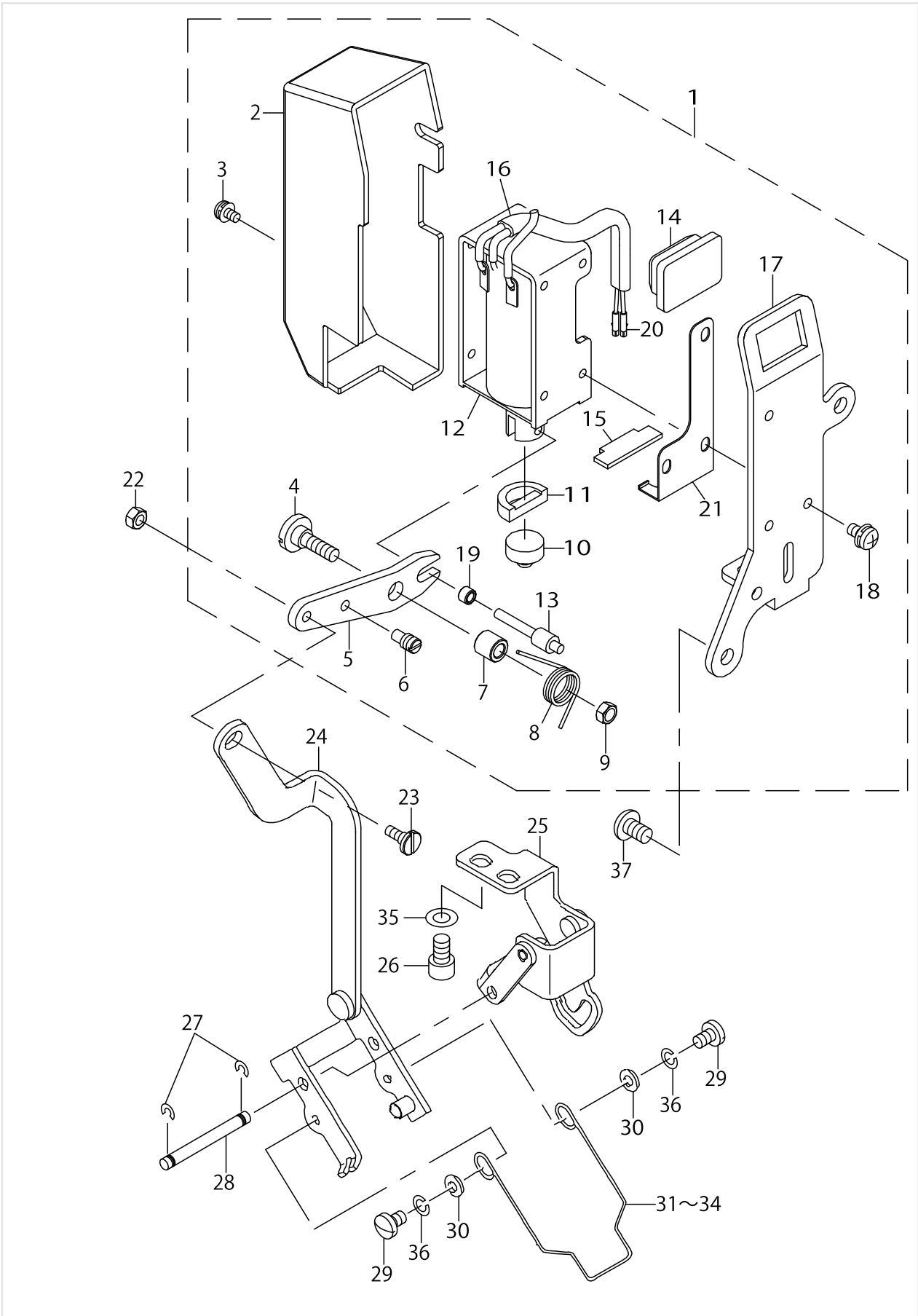
AUTOMATIC REVERSE FEED MECHANISM COMPONENTS



AUTOMATIC REVERSE FEED MECHANISM COMPONENTS

No.	Supply Code	Parts No.	Replacement	Parts name	Remarks	Choice	Step	Level	Cons	Qty	Rep. QTY
45		EA9500B0100		CABLE BAND				*		1	
46		40091286		SAFETY_SWITCH_COVER				*		1	
47		SS4110515SP		SCREW 11/64-40 L=5				*		1	
48		WS0451040KP		SPRING WASHER 4.5X8.5X1				*		1	
49		WP0450801SP		WASHER				*		1	
50		SM6051002TP		SCREW M5X0.8 L=10						1	
51		WP0550800SP		WASHER 5.5X10X0.8						1	

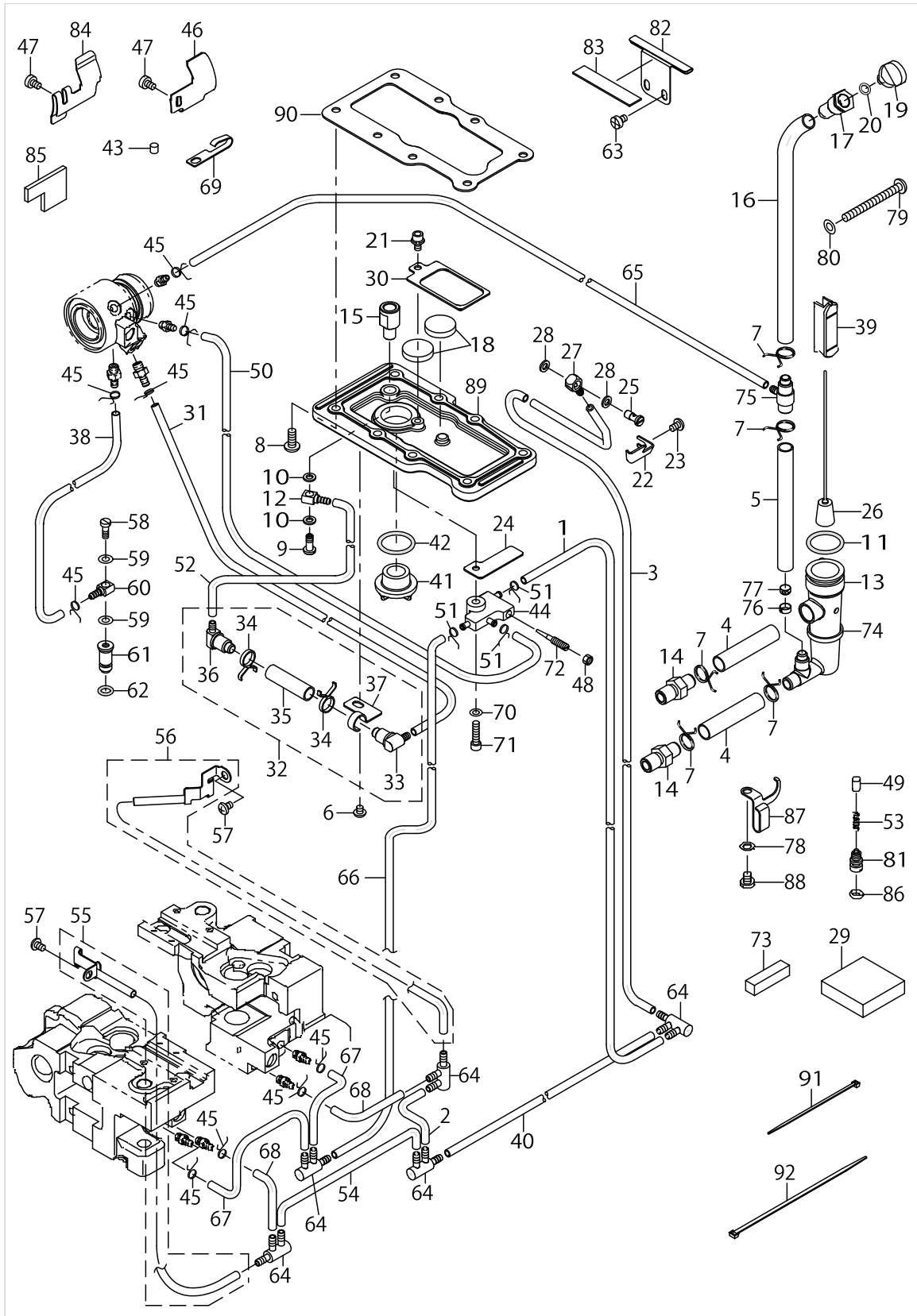
WIPER MECHANISM COMPONENTS (FOR LH-3528A-7,3568A-7,3578A-7,3588A-7)



WIPER MECHANISM COMPONENTS (FOR LH-3528A-7,3568A-7,3578A-7,3588A-7)

No.	Supply Code	Parts No.	Replacement	Parts name	Remarks	Choice	Step	Level	Cons	Qty	Rep. QTY
1		40096975		WIPER_SOLENOID_ASM.						1	
2		22955504		WIPER COVER				*		1	
3		SL4030631SC		SCREW M3X6				*		1	
4		SD0650321TP		HINGE SCREW D=6.5 H=3.2				*		1	
5		22657209		WIPER LINK, A				*		1	
6		40009196		SUSPENSION SCREW				*		1	
7		22956205		WIPER HINGE SCREW COLLAR				*		1	
8		22657308		WIPER SPRING				*		1	
9		NS6110310SP		NUT 11/64-40				*		1	
10		22955900		WIPER RUBBER A				*		1	
11		22956007		WIPER RUBBER B				*		1	
12		40030956		WIPER_SOLENOID				*		1	
13		22957104		WIPER SOLENOID SHAFT				*		1	
14		40086678		WIPER_SW_RUBBER				*		1	
15		40086679		WIPER_STOPPER_RUBBER				*		1	
16		HW500070000		2-CORE CABTYRE CORD				*		1.1	
17		40042151		WIPER_SOLENOID_BASE				*		1	
18		SL4030641SE		SCREW				*		3	
19		22957203		WIPER LINK COLLAR				*		1	
20		HK03464000B		PIN CONTACT				*		2	
21		40100900		RUBBER HOLDER				*		1	
22		NS6090310SP		NUT 9/64-40						1	
23		SD0500301SP		HINGESCREWD=5H=3						1	
24		40028797		ASSY_WIPER_LINK_2						1	
25		40028799		ASSY_WIPER_BASE						1	
26		SM6050802TP		SCREW M5X0.8 L=8						2	
27		RC0370411KP		C-RING 4 (3.7)						2	
28		40039824		WIPER_LINK_SHAFT						1	
29		SS7090610SP		SCREW 9/64-40 L=6						2	
30		WP0371016SD		WASHER 3.7X8X1						2	
31		10209203		WIPER 3/32"-3/8	SELECTIVE PARTS					1	
32		10209500		WIPER	SELECTIVE PARTS					1	
33		10209807		WIPER	SELECTIVE PARTS					1	
34		10209906		WIPER	SELECTIVE PARTS					1	
35		WP0531000SD		WASHER M5						2	
36		WS0410002KP		SPRING WASHER						2	
37		SM4050855SP		SCREW						2	

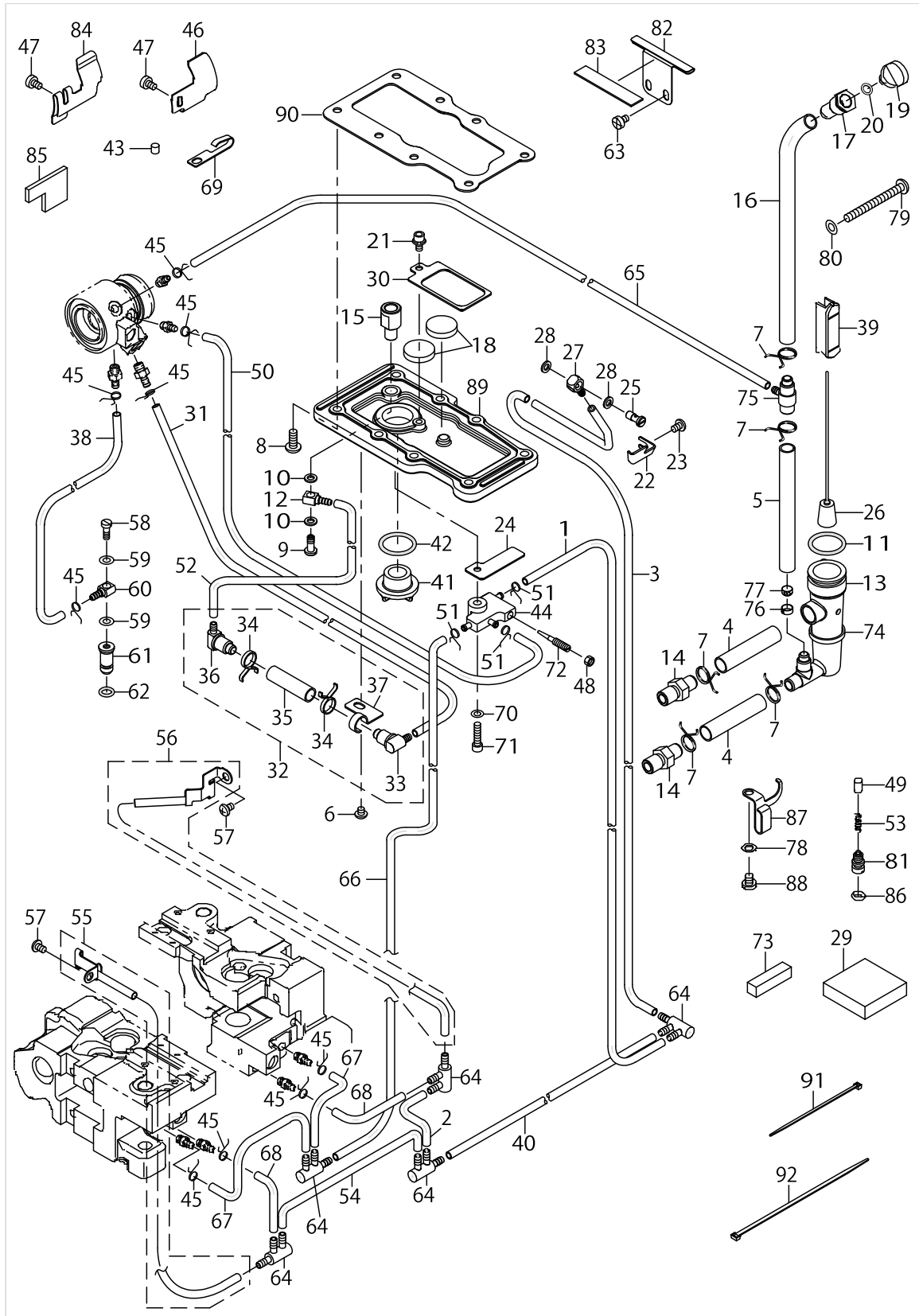
LUBRICATION COMPONENTS



LUBRICATION COMPONENTS

No.	Supply Code	Parts No.	Replacement	Parts name	Remarks	Choice	Step	Level	Cons	Qty	Rep. QTY
1		BP30000010R		VINYL PIPE						.04	
2		BP30000010R		VINYL PIPE						.06	
3		BP30000010R		VINYL PIPE						.15	
4		23630106		TUBE B						.06	
5		23630106		TUBE B						.05	
6		SM4040455SP		SCREW						1	
7		23629405		PIPE STOPPER B						5	
8		SM4051255SP		SCREW.,M5 L=12						8	
9		B3525357000		CONNECTING SCREW (B)						1	
10		40097210		GASKET						2	
11		RO195240100		RUBBER RING						1	
12		SQ0000401MZ		CONNECTING SCREW						1	
13	R	40091197	23630007	FLOATER_CASE		A				1	0.10
13	R	40091197	23629405	FLOATER_CASE		A				1	1.00
13	R	40091197	23630106	FLOATER_CASE		A				1	0.06
13	R	40091197	23629306	FLOATER_CASE		A				1	1-5.00
13	R	40091197	BP30000010R	FLOATER_CASE		A				1	0.25
13	R	40091197	40160015	FLOATER_CASE		A				1	1.00
13	R	40091197	SL6051492TN	FLOATER_CASE		A				1	8.00
13	R	40091197	40160401	FLOATER_CASE		A				1	1.00
13	R	40091197	BP30000010R	FLOATER_CASE		A				1	0.07
14		40091202		CONNECTING_SCREW						2	
15		40091200		BOX_COVER_JOINT						1	
16		23630106		TUBE B						.2	
17		40029075		LUBRICATING_INLET						1	
18		B8228125000		OIL RESERVOIR MAGNET						2	
19		40091195		LUBRICATING_INLET_CAP						1	
20		RO048190100		RUBBER RING						1	
21		SL6040892TN		BOLT						1	
22		40091205		TUBE HOLDER						1	
23		SM4040655SP		SCREW M4 L=6						1	
24		40091203		TUBE HOLDER						1	
25		SQ2060443SD		CONNECTING SCREW						1	
26		40091196		ASSY_FLOATER						1	
27		SQ0000451MZ		CONNECTING SCREW						1	
28		40004749		GASCKET						2	
29		40091238		FILTER						1	
30		40091204		MAGNET HOLDER						1	
31		23630007		TUBE						.04	
32		40091201		ASSY_OIL_FILTER						1	
33		23630601		OIL FILTER JOINT				*		1	
34		23629405		PIPE STOPPER B				*		2	
35		23630106		TUBE B				*		0.-035	
36		23630650		OIL FILTER JOINT ASM.				*		1	
37		40091264		FILTER HOLDER				*		1	

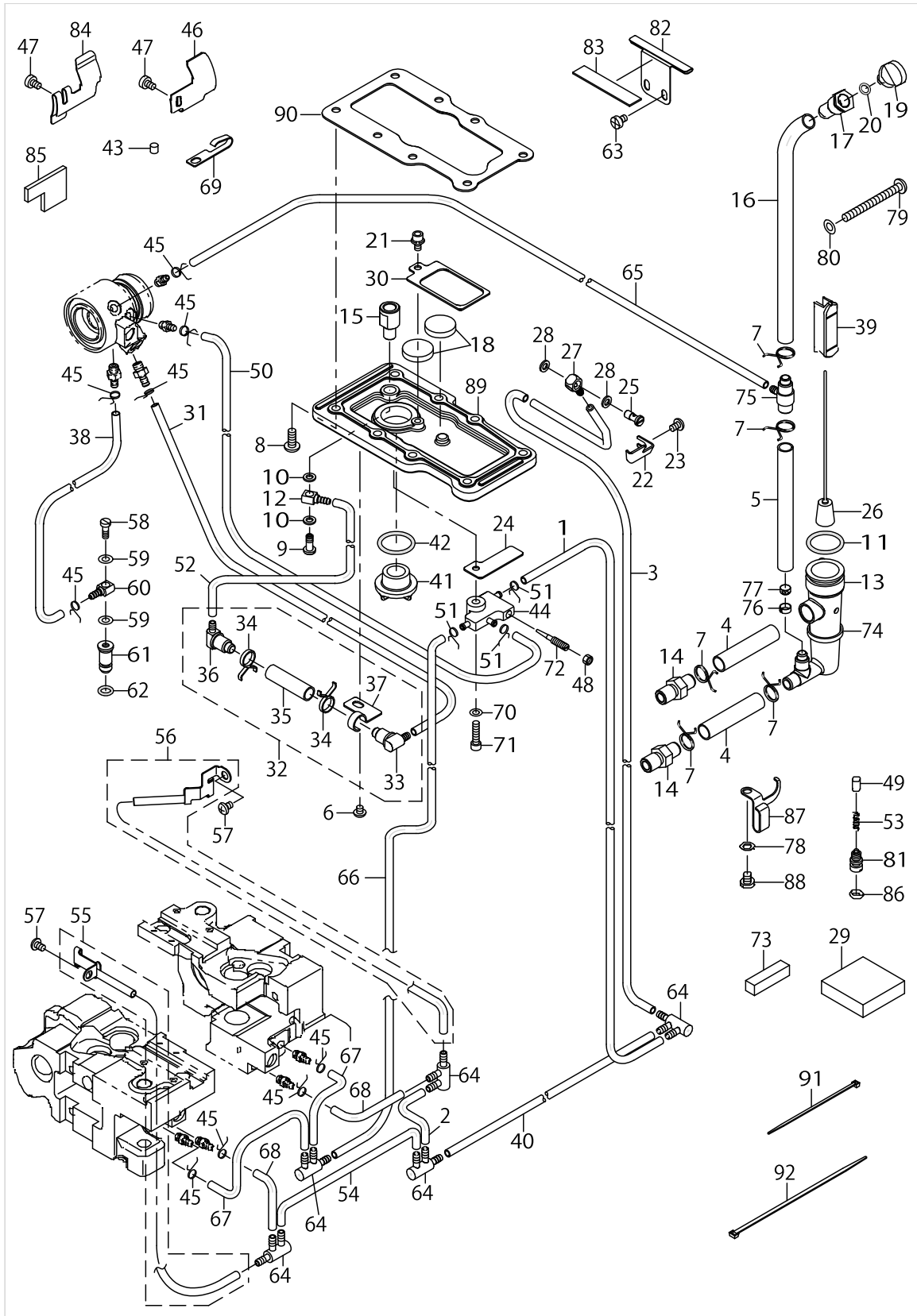
LUBRICATION COMPONENTS



LUBRICATION COMPONENTS

No.	Supply Code	Parts No.	Replacement	Parts name	Remarks	Choice	Step	Level	Cons	Qty	Rep. QTY
38		BP30000010R		VINYL PIPE						.48	
39		40036167		OIL_GAGE						1	
40		BP30000010R		VINYL PIPE						.3	
41		22924708		OIL SIGHT WINDOW						1	
42		RO195240100		RUBBER RING						1	
43		B3517009000		OIL FELT REAR						1	
44		40032804		BASE						1	
45		23629306		PIPE STOPPER A						10	
46		40039604		LUBRICATING_GUIDE	FOR LH-3528A-7					1	
47		SM6040650TP		SCREW						1	
48		NS6110310SP		NUT 11/64-40						1	
49		23628803		PLUNGER						2	
50		23630007		TUBE						.09	
51		10126803		OIL TUBE HOLDER						3	
52		23630007		TUBE						.09	
53		23628902		PLUNGER SPRING						2	
54		BP30000010R		VINYL PIPE						.09	
55		40032405		ASSY_GEAR_OIL_WICK_LEFT						1	
56		40032406		ASSY_GEAR_OIL_WICK_RIGHT						1	
57		SM4050655SP		SCREW M5 L=6						2	
58		B3525357000		CONNECTING SCREW (B)						1	
59		40097210		GASKET						2	
60		SQ0000401MZ		CONNECTING SCREW						1	
61		40036333		SUCTION						1	
62		RO037180100		RUBBER RING						1	
63		SM6040655TP		SCREW M4 L=6						2	
64		23629504		DISTRIBUTOR						5	
65		BP30000010R		VINYL PIPE						.3	
66		23630007		TUBE						.295	
67		23630007		TUBE						.08	
68		BP30000010R		VINYL PIPE						.025	
69		26230409		LUBRICATING OIL WICK STOPPER						1	
70		WP0430800SD		WASHER M4						1	
71		SM6041802TP		SCREW M4 L=18						1	
72	R	B1834512000	B1834512000A	OIL ADJUSTING SCREW						1	1.00
73		22603708		FELT						1	
74		EA9500B0200		CABLE BAND 150						1	
75		40040809		OIL_JOINT						1	
76	R	23630502	23630650	OIL FILTER RING						1	1.00
77	R	23630403	23630650	OIL FILTER						1	1.00
78		WP0520656SA		WASHER 5.2X9.5X0.6						1	
79		SM4055001SF		SCREW M5 L=50						1	
80		WP0531000SD		WASHER M5						1	
81		40013509		PLUNGER_SCREW						2	
82		40041578		RUBBER_PLATE						1	
83		40041579		OIL_SHIELD_PLATE						1	

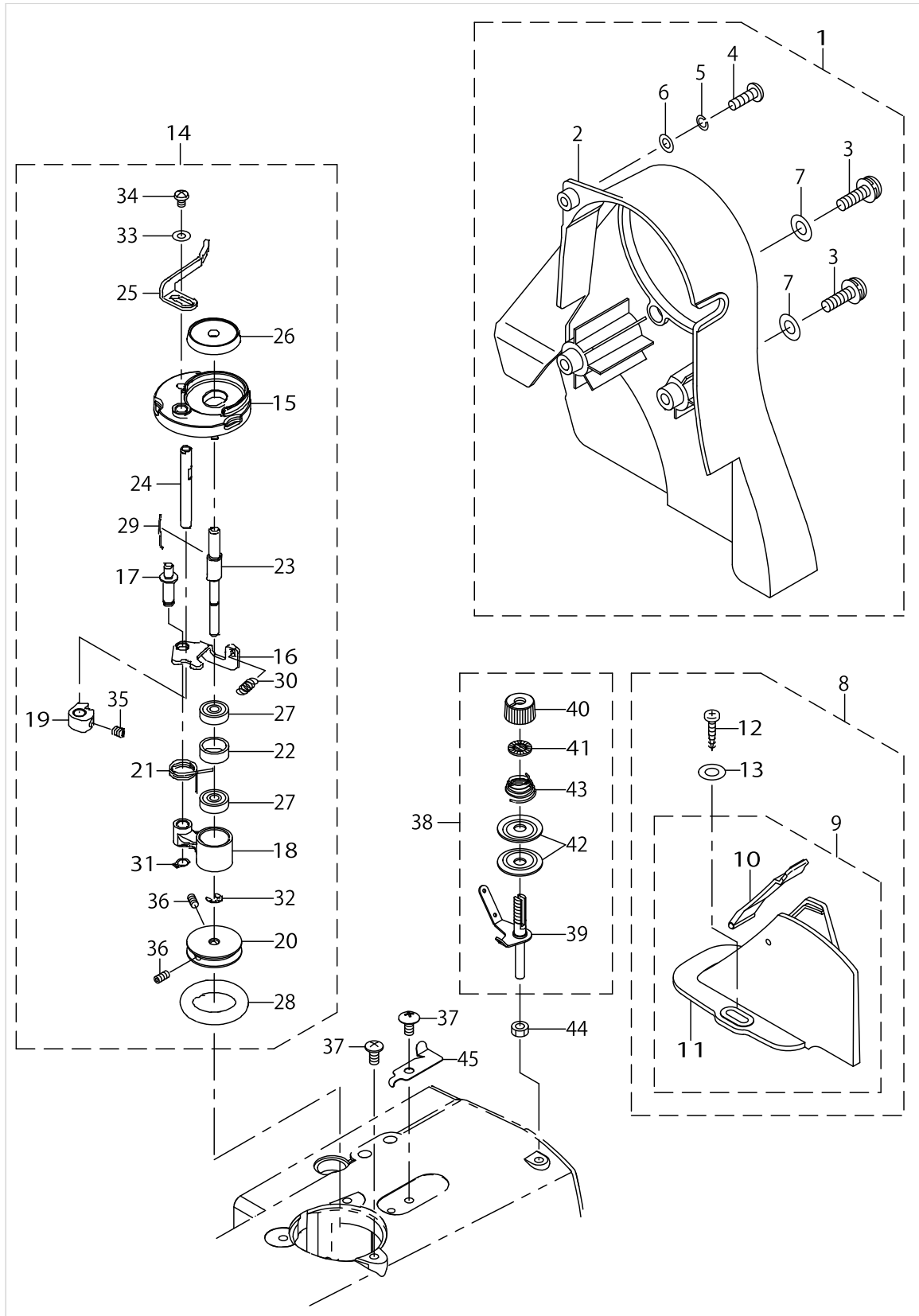
LUBRICATION COMPONENTS



LUBRICATION COMPONENTS

No.	Supply Code	Parts No.	Replacement	Parts name	Remarks	Choice	Step	Level	Cons	Qty	Rep. QTY
84		23204803		LUBRICATING GUIDE	FOR LH-3568A-7					1	
85		40039625		LUBRICATING_FELT	FOR LH-3568A-7					1	
86		RO048190100		RUBBER RING						2	
87		40035264		SPRING_HOOK						1	
88		SM4050655SP		SCREW M5 L=6						1	
89		40091198		BOX_COVER						1	
90		40091199		BOX_COVER_PACKING						1	
91		EA9500B0100		CABLE BAND						2	
92		EA9500B0200		CABLE BAND 150						1	

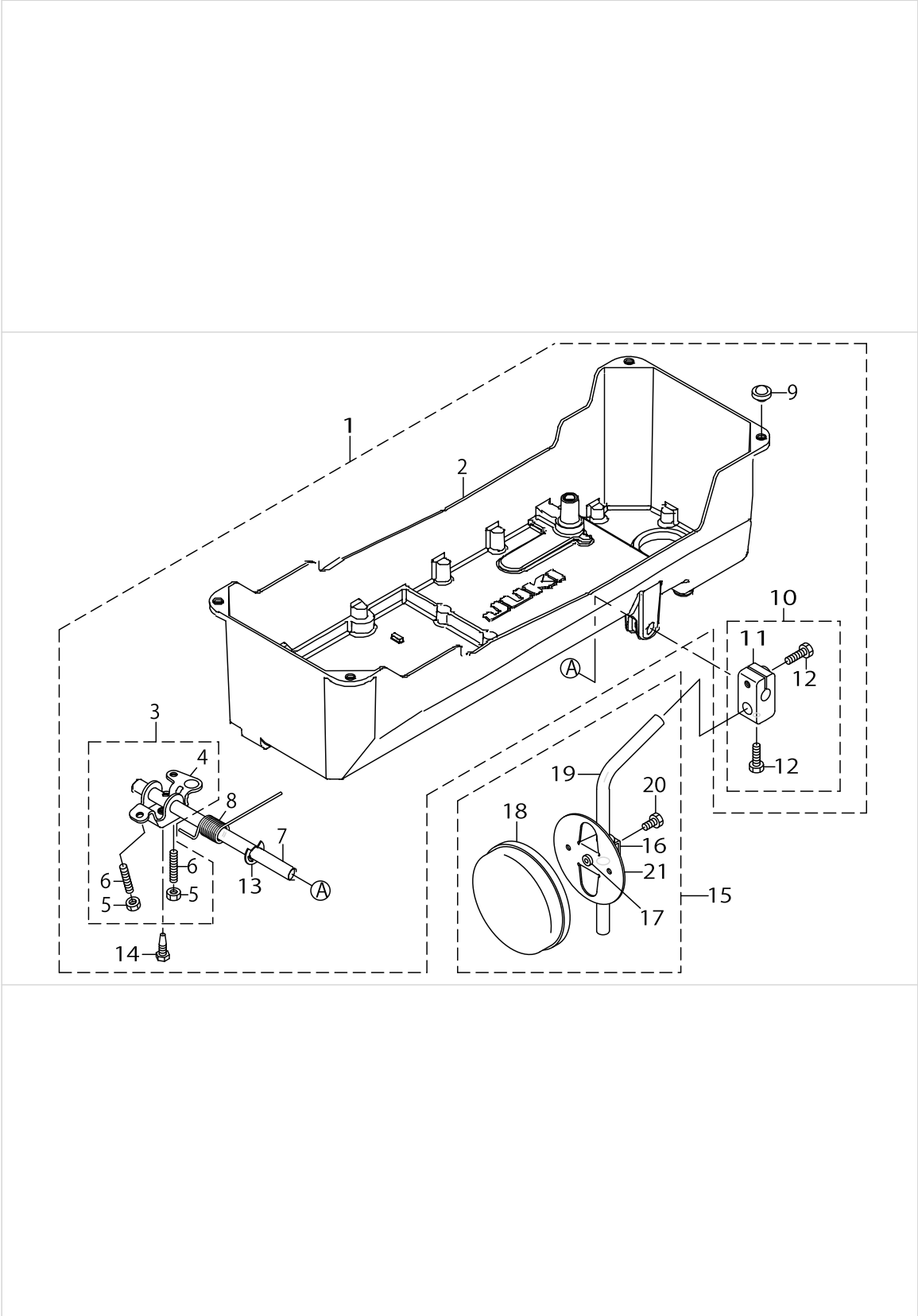
BELT COVER & BOBBIN WINDER COMPONENTS



BELT COVER & BOBBIN WINDER COMPONENTS

No.	Supply Code	Parts No.	Replacement	Parts name	Remarks	Choice	Step	Level	Cons	Qty	Rep. QTY
1		40089557		ASSY_BELT_COVER-A						1	
2		40089558		BELT_COVER-A				*		1	
3		SM4062001SC		SCREW M6 L=20				*		2	
4		SM4051601SC		SCREW M5X0.8 L=16				*		1	
5		WS0521010KN		SPRING WASHER 5.2X8.2X1				*		1	
6		WP0531001SC		WASHER				*		1	
7		WP0641600SC		WASHEW6.4X12.5X1.6				*		2	
8		40034267		ASSY_BELT_COVER_B						1	
9		22933659		BELT COVER B COMPL.				*		1	
10	R	22933758	22933659	BELT COVER B LID ASM.				*		1	1.00
11		22933600		BELT COVER B				*		1	
12	R	SK3412000SC	SK3412000SE	WOOD SCREW D=4.1 L=20				*		2	1.00
13		WP0501016SC		WASHER 5X10.5X1				*		2	
14		40089647		BOBBIN_WINDER_UNIT						1	
15	R	26260109	26260000	BTW BASE				*		1	1.00
16		26260208		BTW CAM PLATE				*		1	
17		26260307		BTW BASE SHAFT				*		1	
18		26260406		BTW SHAFT BASE				*		1	
19		26260505		BTW CAM LEVER				*		1	
20		26260604		BTW WHEEL				*		1	
21		40011144		BTW_TORSION_SPRING				*		1	
22	R	26260802	26260000	BTW BEARING SPACER				*		1	1.00
23		40011145		BTW_SHAFT				*		1	
24	R	40011146	40089647	BTW_LEVER_SHAFT				*		1	1.00
25		40023022		BTW LEVER				*		1	
26		26261206		BTW SPACER				*		1	
27	R	26261305	26260000	BTW BEARING				*		2	1.00
28		26261503		BTW WHEEL RUBBER				*	☆	1	
29		26261602		BOBBIN SPRING				*		1	
30		26261701		BTW SPRING				*		1	
31		RC0560711KP		RETAINING RING				*		1	
32		RE0400000K0		E-RING 4				*		1	
33		WP0450826SC		WASHER 4.5X10X0.8				*		1	
34		SM5040655SN		SCREW				*		1	
35		SM8050502TP		SCREW M5 L=5				*		1	
36		SM8040802TP		SCREW M4X8				*		2	
37		SM0051001SC		SCREW						4	
38		40091212		BOBBIN_THREAD_TENSION_ASM.						1	
39		40091241		BOBBIN_THREAD_T- ENSION_ROD_ASM.				*		1	
40		22921308		THREAD TENSION NUT				*		1	
41		22921407		ROTATION STOPPER				*		1	
42		22921506		THREAD TENSION DISK				*		2	
43		22921704		THREAD TENSION SPRING, A				*		1	
44		NM6050001SD		NUT M5X0.8						1	
45		40037008		THREAD_CUTTER						1	

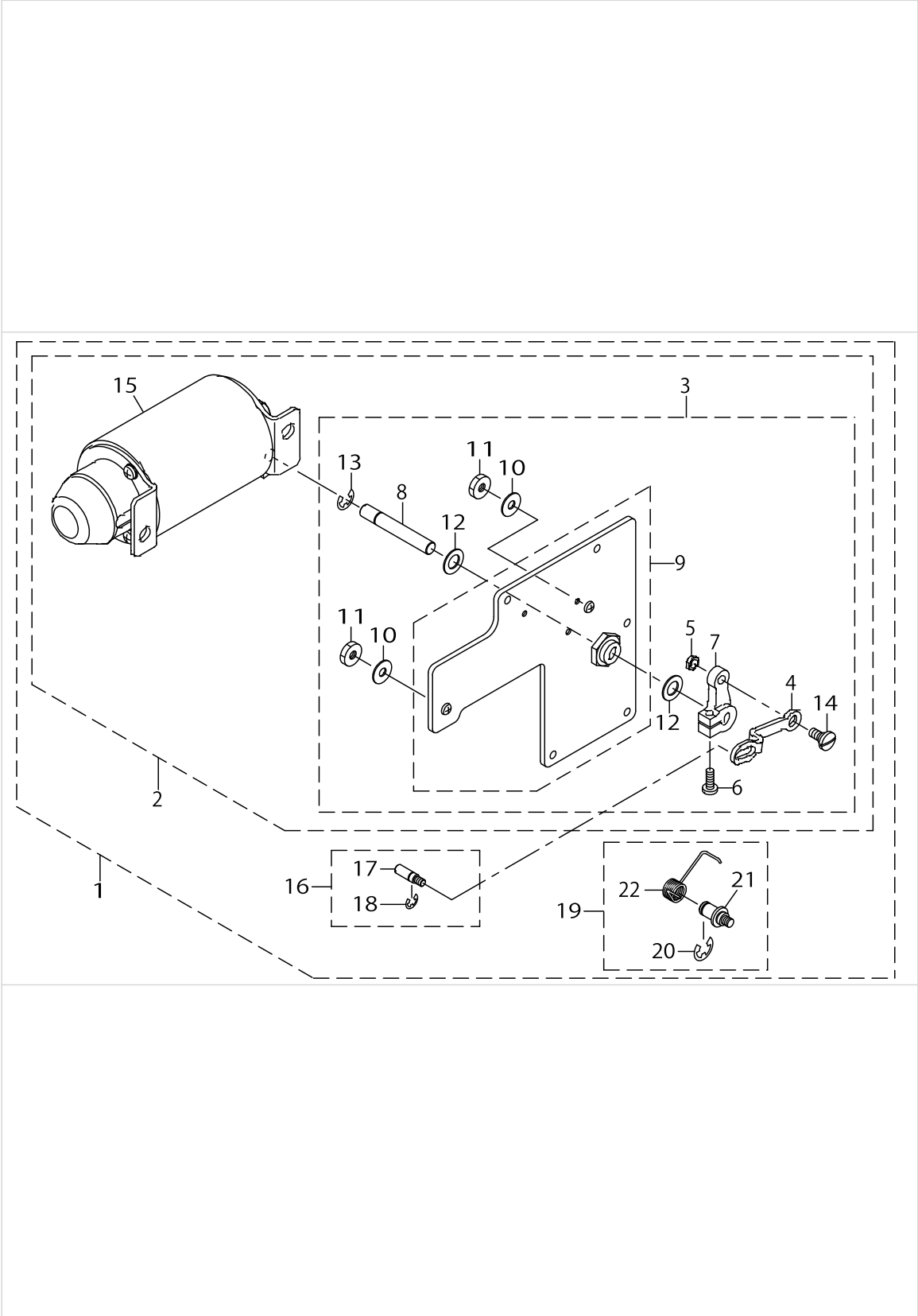
BOTTOM COVER COMPONENTS



BOTTOM COVER COMPONENTS

No.	Supply Code	Parts No.	Replacement	Parts name	Remarks	Choice	Step	Level	Cons	Qty	Rep. QTY
1		40032107		ASSY_BOTTOM_COVER_A						1	
2	R	40028778	40032107	BOTTOM_COVER				*		1	1.00
3		40034853		CONNECTING_ROD_ASM.				*		1	
4	R	22932107	22932156	KNEE LIFTING ROTATING ARM				*		1	1.00
5		NM6060001SE		NUT M6				*		2	
6		SM8063012TR		SCREW M6 L=30				*		2	
7		40025191		KNEE_PRESS_ROD				*		1	
8		22932206		SPRING				*		1	
9		B1116210D00		FRAME SUPPORT RUBBER				*		4	
10		22932453		BRACKET ASM.				*		1	
11	R	22932404	22932453	BRACKET				*		1	1.00
12		22934707		SCREW				*		2	
13		RE1000000K0		E-RING 10				*		1	
14		SM9061853SR		SCREW M6 L=17.5				*		1	
15		22934251		KNEE PAD PLATE ASM.	ACCESSO- RIE PARTS					1	
16		22934301		KNEE PAD PLATE SUPPORT				*		1	
17		22934400		KNEE PAD PLATE RUBBER				*		1	
18		22934509		KNEE PAD PLATE COVER				*		1	
19		22934608		KNEE PAD UPRIGHT SHAFT				*		1	
20		SM9061203SE		SCREW M6 L=12				*		1	
21		22934202		KNEE PAD PLATE				*		1	

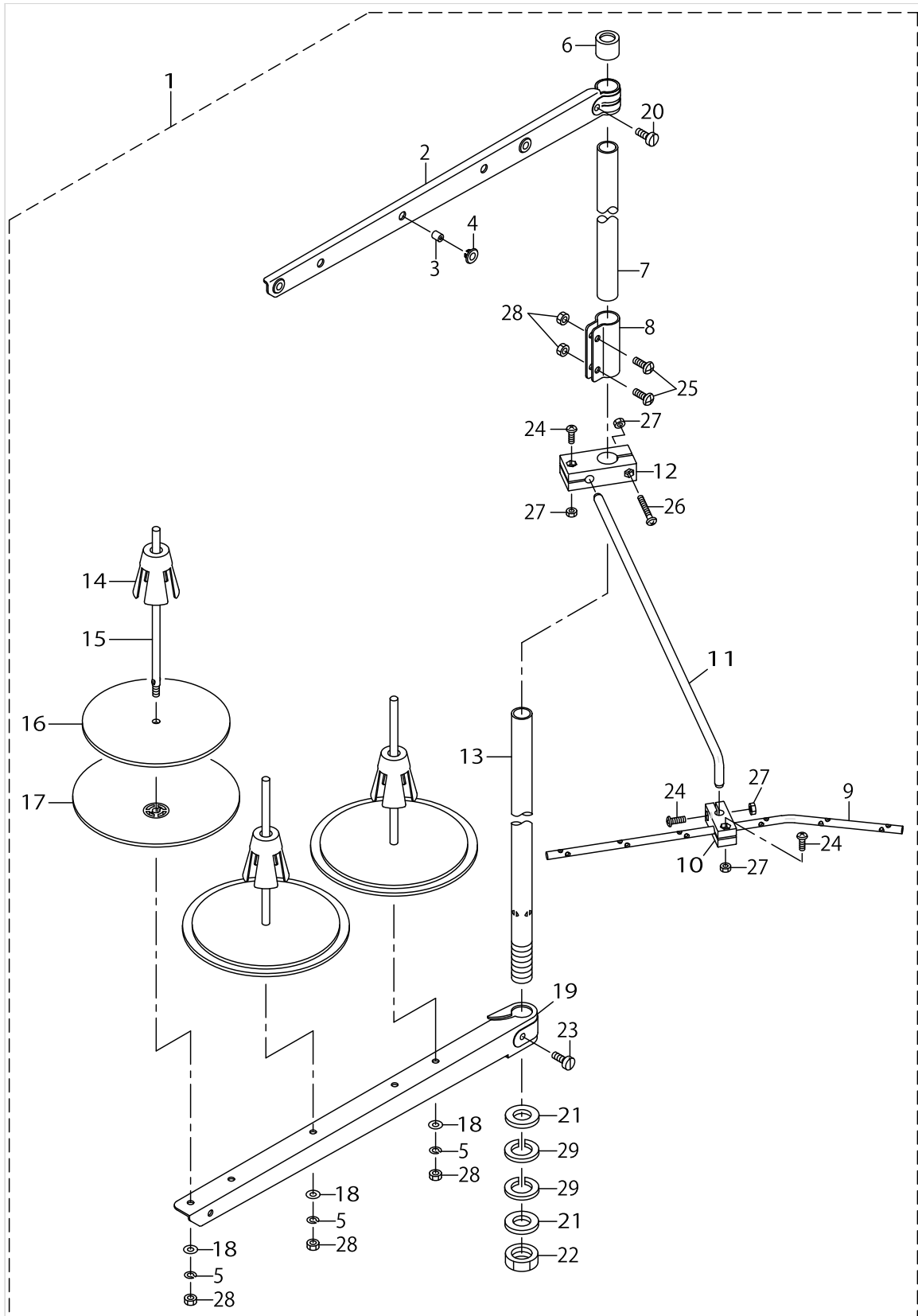
AK DEVICE COMPONENTS



AK DEVICE COMPONENTS

No.	Supply Code	Parts No.	Replacement	Parts name	Remarks	Choice	Step	Level	Cons	Qty	Rep. QTY
1		40055883		AK135						1	
2	R	40036221	40055883	ASSY_AK_DEVICE				*		1	1.00
3		40036222		COMP_REAR_PLATE				*		1	
4		40030962		SOLENOID_LINK				*		1	
5		NS6150310SP		NUT 15/64-28				*		1	
6		SS7121410TP		SCREW 3/16-28 L=14				*		1	
7		GAK33027000		SOLENOID ARM				*		1	
8		22991400		SOLENOID SHAFT				*		1	
9		40036223		ASSY_REAR_PLATE				*		1	
10		WP0621036SP		WASHER				*		2	
11		NS6150440SP		NUT 15/64-28				*		2	
12		WP1021016SD		WASHER				*		2	
13		RE0700000K0		E-RING 7				*		1	
14		SD0800352SP		HINGE SCREW D= 8 H= 3.5				*		1	
15	R	GAKA18300B0	40101423	AK SOLENOID ASM.,B				*		1	1.00
16		40059504		ASSY SHAFT_PIN				*		1	
17		40030954		SHAFT_PIN				*		1	
18		RE0500000K0		E-RING				*		1	
19		40059505		ASSY AK PIN				*		1	
20		RE0800000K0		E-SHAPED SNAP RING (8MM)				*		1	
21		40056385		AK_LINK_SHAFT				*		1	
22		40056438		AK_RETURN_SPRING				*		1	

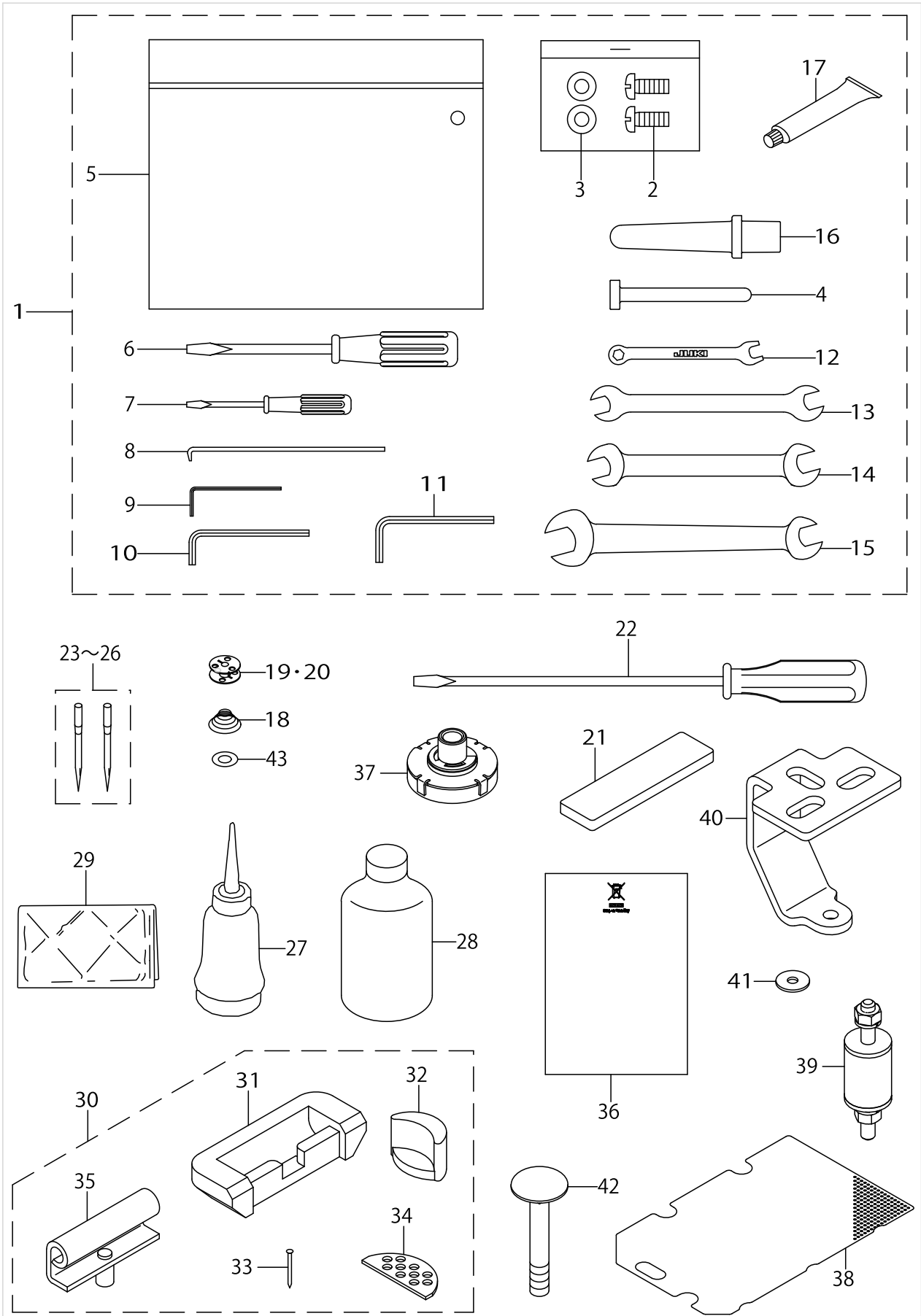
THREAD STAND COMPONENTS



THREAD STAND COMPONENTS

No.	Supply Code	Parts No.	Replacement	Parts name	Remarks	Choice	Step	Level	Cons	Qty	Rep. QTY
1	R	40097211	40098387	THREAD STAND ASM.						1	1.00
2		40106575		SPOOL REST LONG ARM UPPER				*		1	
3		40085794		THREAD GUIDE				*		3	
4		40085795		THREAD GUIDE BUSHING				*		3	
5		WS0510002KN		SPRING WASHER M5				*		3	
6		40085793		SPOOL REST ROD RUBBER CAP				*		1	
7		40085785		SPOOL REST ROD UPPER				*		1	
8		40085792		SPOOL REST ROD JOINT				*		1	
9		40106583		THREAD GUIDE 6				*		1	
10		40106580		THREAD GUIDE UNDER BASE				*		1	
11		40106576		THREAD GUIDE ARM				*		1	
12		40106579		THREAD GUIDE ARM BASE				*		1	
13		40085784		SPOOL REST ROD LOWER				*		1	
14		40085791		SPOOL RETAINER				*		3	
15		40085790		SPOOL PIN				*		3	
16		40085789		SPOOL REST CUSHION				*		3	
17		40085788		SPOOL REST				*		3	
18		WP0531001SC		WASHER M5				*		3	
19		40106574		SPOOL REST LONG ARM LOWER				*		1	
20	R	40096327	SM4053001SE	SPOOL REST ARM UPPER SCREW				*		1	1.00
21		40085796		SPOOL REST ROD RUBBER CUSHION				*		2	
22		40096325		SPOOL REST ROD NUT				*		1	
23		40096326		SPOOL REST ARM LOWER SCREW				*		1	
24		SM4041201SC		SCREW M4 L=12				*		3	
25		SM4051405SE		SCREW M5 L=14				*		2	
26		SM4042501SC		SCREW M4X0.7 L=25				*		1	
27	R	NM6040002SC	NM6040002SE	NUT M4				*		4	1.00
28		NM6050001SE		NUT M5				*		5	
29		WP1612616SE		WASHER 16X30X2.6				*		2	

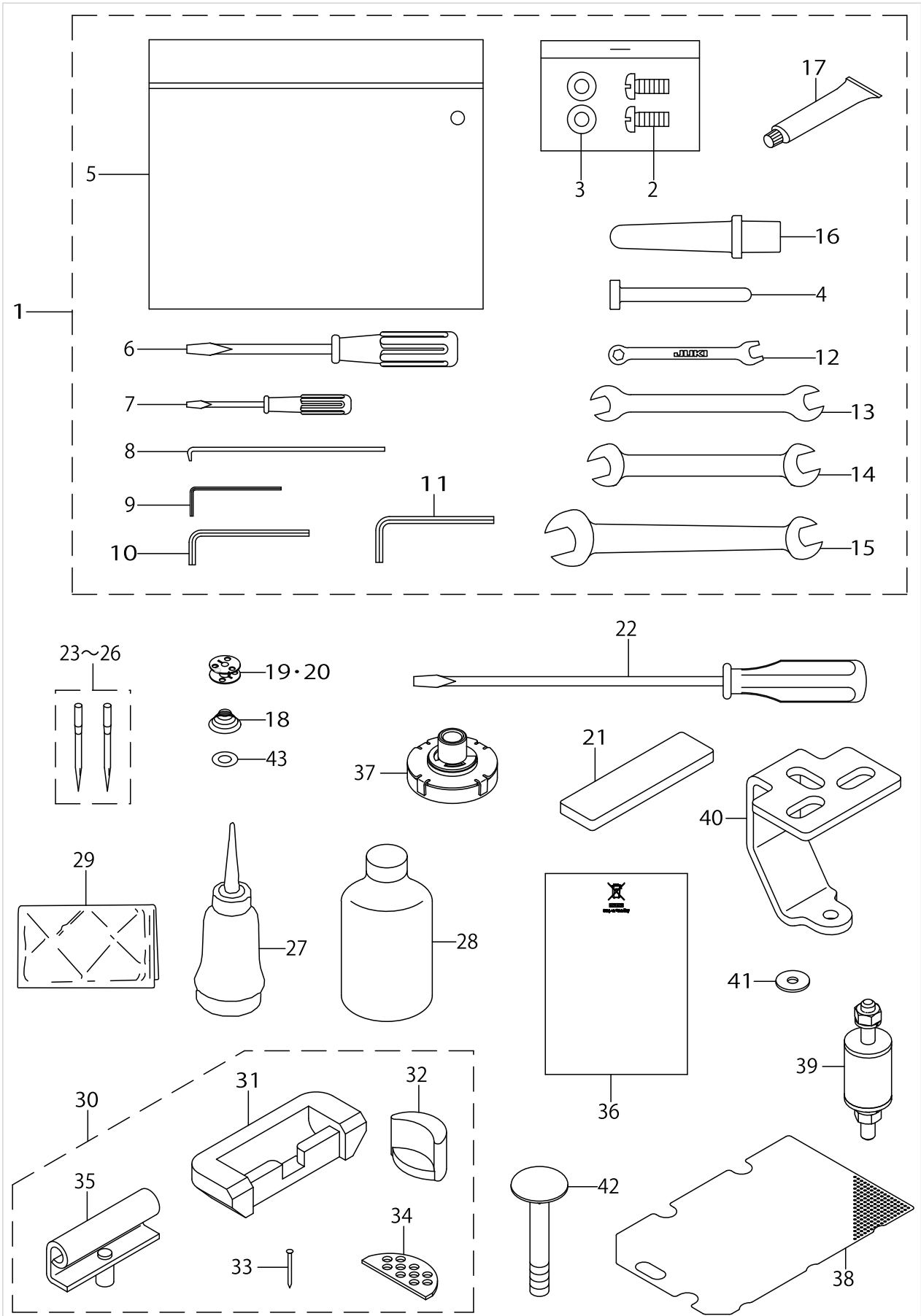
ACCESSORIE PARTS COMPONENTS



ACCESSORIE PARTS COMPONENTS

No.	Supply Code	Parts No.	Replacement	Parts name	Remarks	Choice	Step	Level	Cons	Qty	Rep. QTY
1		40091282		ACCESSORIE BAG ASM.						1	
2		SM4051255SP		SCREW.,M5 L=12				*		2	
3		WP0531000SC		WASHER 5.3X10X1				*		2	
4		40056705		KNEE_LIFTER_PRESSER_ROD				*		1	
5		22932800		ACCESSORIE BAG				*		1	
6		22933105		SCREW DRIVER,MIDDLE				*		1	
7		22933204		SCREW DRIVER,SMALL				*		1	
8		B9101490000		DRIVER				*		1	
9	D	12455507		HEXAGONAL WRENCH, 1.5				*		1	
10		12455705		HEXAGONAL WRENCH, 2.5				*		1	
11		B9141372000		HEXAGONAL WRENCH, LARGE				*		1	
12		13160106		SPANNER (5X6)				*		1	
13		26034801		WRENCH (7X8)				*		1	
14		26233700		WRENCH				*		1	
15		26034702		WRENCH (14X11)				*		1	
16		22931604		FRAME SUPPORT BAR				*		1	
17		40006323		JUKI GREASE A TUBE				*		1	
18		10111508		SPRING	FOR LH-3-528A-7,35-68A-7, 357-8A-7,3588A-7				☆	1	
19		10210805		HARD ALUMITE BOBBIN	FOR LH-3-528A-7,35-68A-7, 357-8A-7,3588A-7				☆	2	
20		B9117051000		BOBBIN	FOR LH-3-528A,3568A,3578A,3588A				☆	2	
21		40035873		FILTER_B						1	
22		22933006		SCREW DRIVER,LARGE						1	
23	R	MDP500B1002	MDP500B1000	NEEDLE DPX5 #10-2	TYPE F				☆	1	1.00
24	R	MDP500B1402	MDP500B1400	NEEDLE DPX5#14-2	TYPE S				☆	1	1.00
25		MDP500B2102		DPX5#21-2	TYPE G				☆	1	
26		MDP500B0902		NEEDLE DPX5#9-2	TYPE A				☆	1	
27		B91210120A0		OILER ASM.						1	
28	R	MML007600CA	MDFRX1600C0	JUKI MACHINE OIL 7						1	1.00
29		22933303		VINYL COVER						1	
30		22958052		RUBBER HINGE ASM.						1	
31	R	22926000	22958052	RUBBER CUSHION				*		2	1.00
32	R	22958003	11075900	FRAME BUBBER CUSHION				*		2	1.00
33	D	22926208		NAIL				*		8	
34	R	22926505	D8226555E00	WASHER				*		2	1.00
35	R	22926356	22958052	HINGE COMPL.				*		2	1.00
36		CM600100201		WEEE INFORMATION SHEET	FOR JE					2	
37		40036428		ASSY_FILTER_A						1	
38		40030768		OIL_FILTER						1	
39		40092944		RUBBER MOUNTING	FOR LH-3-528A-7,35-28A-0B, 35-68A-7,357-8A-7,3588A-7					3	


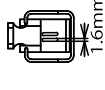
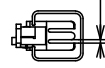
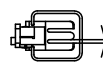
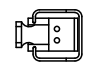
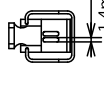
ACCESSORIE PARTS COMPONENTS



ACCESSORIE PARTS COMPONENTS

No.	Supply Code	Parts No.	Replacement	Parts name	Remarks	Choice	Step	Level	Cons	Qty	Rep. QTY
40		40093056		BASE PLATE	FOR LH-3-528A-7,35-28A-0B, 35-68A-7,357-8A-7,3588A-7					3	
41		WP0651646SC		WASHER	FOR LH-3-528A-7,35-28A-0B, 35-68A-7,357-8A-7,3588A-7					3	
42		40093057		BOLT	FOR LH-3-528A-7,35-28A-0B, 35-68A-7,357-8A-7,3588A-7					3	
43		22653802		SHEET	FOR LH-3-528A-7,35-68A-7, 357-8A-7,3588A-7				☆	1	

TABLE OF EXCHANGING GAUGE PARTS (1)(FOR LH-3528A)

Needle gauge size 針 幅			Presser foot asm. 押 さ え(組)					Swivel guide Presser asm. スィブルガイド 押さえ(組)
Code コード				(Tip-divided) (移動式先割れ) 	(Tip-divided) (移動式先割れ) 	(Lower feed) (下送り) 		
	inch	mm	Part No.	Part No.	Part No.	Part No.	Part No.	
A	3/32	2.4	226-37557	—	—	—	—	
B	1/8	3.2	226-37656	400-35896	—	103-91852	226-27152	
C	5/32	4.0	226-37755	400-35897	400-71909	—	—	
D	3/16	4.8	226-37854	226-40353	228-16557	103-92058	226-27350	
E	7/32	5.6	—	226-40452	228-16656	—	226-27459	
F	1/4	6.4	226-38050	226-40551	228-16755	103-92256	226-27558	
G	9/32	7.1	226-38258	226-40759	228-16854	—	226-27657	
H	5/16	7.9	226-38357	226-40858	228-16953	—	226-27756	
K	3/8	9.5	226-38456	226-40957	228-17050	—	—	
W	7/16	11.1	—	226-41054	400-33941	—	—	
L	1/2	12.7	226-38753	226-41252	228-17159	103-92751	—	
M	5/8	15.9	—	226-41351	400-33945	—	—	
N	3/4	19.1	226-38951	226-41450	400-33947	103-93056	—	
P	7/8	22.2	226-39157	226-41658	400-33949	228-44450	—	
Q	1	25.4	226-39256	226-41757	400-33951	228-44559	—	
R	1-1/8	28.6	226-39355	226-41856	400-33953	—	—	
S	1-1/4	31.8	226-39454	226-41955	400-33955	—	—	
T	1-3/8	34.9	—	226-42052	400-33957	—	—	
U	1-1/2	38.1	—	226-42151	400-33959	—	—	
Stitch spec. 縫仕様	A		★					
	F					★	★ (テ-フ° 付け)	
	S			★				
	G				★		※のみ★	
	下送り					★		


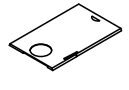
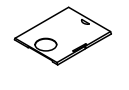
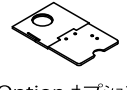
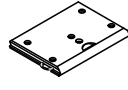
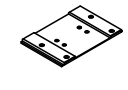

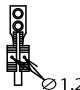
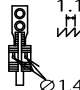
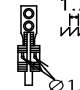
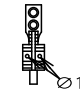
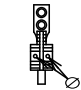
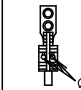
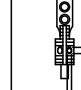
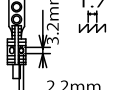
Needle gauge size 針 幅			Sliding plate asm. (Left) 滑り板(左)組	Sliding plate asm. (Right) 滑り板(右)組	Sliding plate asm. (Left) 滑り板(左)組	Sliding plate asm. (Front) 滑り板(前) 組	
Code コード							
	inch	mm	Part No.	Part No.	Part No.	Part No.	Part No.
A	3/32	2.4	226-01058	226-00555	400-51633	400-42874	232-06709
B	1/8	3.2					
C	5/32	4.0					
D	3/16	4.8					
E	7/32	5.6					
F	1/4	6.4					
G	9/32	7.1					
H	5/16	7.9					
K	3/8	9.5					
W	7/16	11.1					
L	1/2	12.7	226-01157	226-00654	400-45729		
M	5/8	15.9					
N	3/4	19.1					
P	7/8	22.2					
Q	1	25.4					
R	1-1/8	28.6					
S	1-1/4	31.8					
T	1-3/8	34.9					
U	1-1/2	38.1					
Stitch spec. 縫仕様	A						
	F		仕様 共通	仕様 共通	仕様 共通	仕様 共通	
	S						
	G						
	下送り						

TABLE OF EXCHANGING GAUGE PARTS (2)(FOR LH-3528A)

Needle gauge size 針 幅		Feed Dog 送 り 歯							
Code コード [※]									
		Part No.	Part No.	Part No.	Part No.	Part No.	Part No.	Part No.	Part No.
A	3/32 2.4	400-33714	—	—	—	—	—	—	—
B	1/8 3.2	400-33715	400-35883	400-33563	—	400-33563	—	B1613-512-B0H	—
C	5/32 4.0	400-33716	—	—	226-30206	400-25784	—	B1613-512-C0H	—
D	3/16 4.8	400-33718	400-35884	400-33564	226-30404	400-25785	—	B1613-512-D0H	400-25801
E	7/32 5.6	—	400-35885	400-33565	226-30503	400-25786	—	B1613-512-E0H	400-25802
F	1/4 6.4	400-33720	400-35886	400-33566	226-30602	400-25787	—	B1613-512-F0H	400-25803
G	9/32 7.1	400-33722	400-35887	400-33567	226-30800	400-25788	—	B1613-512-G0H	400-25804
H	5/16 7.9	400-33723	400-35888	400-33568	226-30909	400-25789	—	B1613-512-H0H	400-25805
K	3/8 9.5	400-33724	—	—	226-31006	400-25790	—	B1613-512-K0H	400-25806
W	7/16 11.1	—	—	—	226-31105	400-25791	—	400-75311	400-25807
L	1/2 12.7	400-33727	—	—	226-31303	400-25792	—	B1613-512-L0H	400-25808
M	5/8 15.9	—	—	—	226-31402	400-25793	—	B1613-512-M0H	400-25809
N	3/4 19.1	400-33729	—	—	226-31501	400-25794	—	B1613-512-N0H	400-25810
P	7/8 22.2	400-33731	—	—	226-31709	400-25795	—	B1613-512-P0H	400-25811
Q	1 25.4	400-33732	—	—	226-31808	400-25796	—	B1613-512-Q0H	400-25812
R	1-1/8 28.6	400-33733	—	—	226-31907	400-25797	—	B1613-512-R0H	400-25813
S	1-1/4 31.8	400-33734	—	—	226-32004	400-25798	—	B1613-512-S0H	400-25814
T	1-3/8 34.9	—	—	—	226-32103	400-25799	—	B1613-512-T0H	400-25815
U	1-1/2 38.1	—	—	—	226-32202	400-25800	—	B1613-512-U0H	400-25816
Stitch spec. 縫 仕 様	A	★							
	F		★	★					
	S				★	★			
	G						★	★	



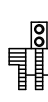








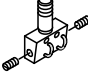
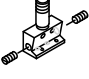
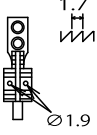
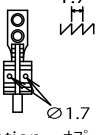
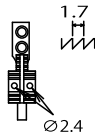
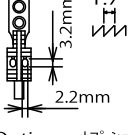
Needle gauge size 針 幅		Feed Dog (Lower feed) 送 り 歯 (下送り)		Needle clamp asm. 針 留 組		Throat plate 針 板	Throat plate (with Taping) 針 板 (テープ付)	Throat plate (Lower feed) 針 板 (下送り)	
Code コード [※]									
				Part No.	Part No.	Part No.	Part No.	Part No.	Part No.
A	3/32 2.4	—	—	400-35875	101-47551	226-25008	—	—	—
B	1/8 3.2	232-05107	—	400-26027	101-47650	226-25107	226-28002	228-45200	—
C	5/32 4.0	—	—	400-26029	101-47759	226-25206	226-28101	—	—
D	3/16 4.8	232-05305	—	101-47858	101-47858	226-25305 ※400-95288	226-28200	228-45408	—
E	7/32 5.6	—	—	400-26033	101-47957	226-25404	226-28309	—	—
F	1/4 6.4	232-05503	—	101-48054	101-48054	226-25503 ※400-94772	226-28408	228-45606	—
G	9/32 7.1	—	—	400-26037	101-48153	226-25602	226-28507	—	—
H	5/16 7.9	—	—	101-48252	101-48252	226-25701	226-28606	—	—
K	3/8 9.5	—	—	101-48351	101-48351	226-25800	—	—	—
W	7/16 11.1	—	—	400-26043	101-48450	226-25909	—	—	—
L	1/2 12.7	400-62249	228-48105	400-26045	101-48559	226-26006	—	—	400-62254
M	5/8 15.9	—	—	400-26047	101-48658	226-26105	—	—	—
N	3/4 19.1	400-62251	228-48303	400-26049	101-48757	226-26204	—	—	400-62256
P	7/8 22.2	400-62252	228-48402	400-26051	101-48856	226-26303	—	—	400-62257
Q	1 25.4	400-62253	228-48501	101-48955	101-48955	226-26402	—	—	400-62258
R	1-1/8 28.6	—	—	400-26055	101-49052	226-26501	—	—	—
S	1-1/4 31.8	—	—	400-26057	101-49151	226-26600	—	—	—
T	1-3/8 34.9	—	—	400-26059	101-49250	226-26709	—	—	—
U	1-1/2 38.1	—	—	400-26061	101-49359	226-26808	—	—	—
Stitch spec. 縫 仕 様	A			★		★	Spec.common 仕 様 共 通		
	F								
	S				★	※のみ ★			
	G								
	下送り	★	★					★	★

TABLE OF EXCHANGING GAUGE PARTS (FOR LH-3528A-7)

Needle gauge size 針 幅		Throat plate 針 板	Needle clamp asm. 針 留 組			Feed dog 送 り 歯			
Code コード				 Wire Type ワイヤタイプ	 Hole Type 穴タイプ	 Option オプション	 Option オプション	 Option オプション	 Option オプション
	inch	mm	Part No.	Part No.	Part No.	Part No.	Part No.	Part No.	Part No.
A	3/32	2.4	—	400-35875	101-47551	—	—	—	—
B	1/8	3.2	400-35881	400-26027	101-47650	400-61270	400-35890	—	400-53705
C	5/32	4.0	400-25485	400-26029	101-47759	400-61271	400-25817	400-71911	—
D	3/16	4.8	400-25490 ※400-95289	101-47858	101-47858	400-61272	400-25818	400-35891	400-25831
E	7/32	5.6	400-25491	400-26033	101-47957	400-61273	400-25819	400-50009	400-25832
F	1/4	6.4	400-25492 ※400-94773	101-48054	101-48054	400-61274	400-26715	400-35892	400-25833
G	9/32	7.1	400-25493	400-26037	101-48153	400-61275	400-25820	400-50010	400-25834
H	5/16	7.9	400-25494	—	101-48252	400-61276	400-25821	400-50011	400-25835
K	3/8	9.5	400-25495	101-48351	101-48351	400-61277	400-25822	400-35893	400-25836
W	7/16	11.1	400-25496	400-26043	101-48450	—	400-25823	—	400-25837
L	1/2	12.7	400-25498	400-26045	101-48559	400-61278	400-25824	400-35894	400-25838
M	5/8	15.9	400-25499	400-26047	101-48658	400-61279	400-25825	400-71912	400-25839
N	3/4	19.1	400-25500	400-26049	101-48757	400-61280	400-25826	400-35895	400-25840
P	7/8	22.2	400-25502	400-26051	101-48856	400-61281	400-25827	400-71913	400-25841
Q	1	25.4	400-25503	—	101-48955	400-61282	400-25828	400-71914	400-25842
R	1-1/8	28.6	400-25504	400-26055	101-49052	400-61283	400-25829	400-71915	400-25843
S	1-1/4	31.8	400-25505	400-26057	101-49151	400-61284	400-25830	400-71916	400-25844
T	1-3/8	34.9	—	400-26059	101-49250	—	—	—	—
U	1-1/2	38.1	—	400-26061	101-49359	—	—	—	—
Stitch spec. 縫仕様	A			★					
	F			★					
	S		★		★	★	★		
	G		※のみ★		★			★	★


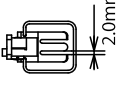
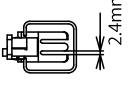
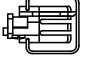


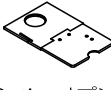







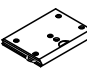

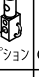

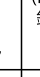
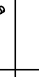
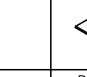


Needle gauge size 針 幅		Presser foot asm. 押 さ え(組)		Swivel guide Presser asm. スィブルガイド 押さえ(組)	Sliding plate asm. (Left) 滑り板(左)組	Sliding plate asm. (Right) 滑り板(右)組	Sliding plate asm. (Left) 滑り板(左)組	Sliding plate asm. (Front) 滑り板(前)組	
Code コード			 (Tip-divided) (移動式先割れ) 2.0mm	 (Tip-divided) (移動式先割れ) 2.4mm				 Option オプション	
	inch	mm	Part No.	Part No.	Part No.	Part No.	Part No.	Part No.	Part No.
B	1/8	3.2	400-35896	—	—				
C	5/32	4.0	400-35897	400-71909	—				
D	3/16	4.8	226-40353	228-16557	400-95293				
E	7/32	5.6	226-40452	228-16656	—				
F	1/4	6.4	226-40551	228-16755	400-94776	400-25247	400-25235	400-51633	
G	9/32	7.1	226-40759	228-16854	—				
H	5/16	7.9	226-40858	228-16953	—				
K	3/8	9.5	226-40957	228-17050	—				
W	7/16	11.1	226-41054	400-33941	—				400-42880
L	1/2	12.7	226-41252	228-17159	—				
M	5/8	15.9	226-41351	400-33945	—	400-25248	400-25236	400-45729	
N	3/4	19.1	226-41450	400-33947	—				
P	7/8	22.2	226-41658	400-33949	—				
Q	1	25.4	226-41757	400-33951	—	400-25249	400-25239	400-45730	
R	1-1/8	28.6	226-41856	400-33953	—				
S	1-1/4	31.8	226-41955	400-33955	—	400-25250	400-25240	400-45731	
Stitch spec. 縫仕様	S		★			Spec.common	Spec.common	Spec.common	Spec.common
	G			★	★	仕様 共通	仕様 共通	仕様 共通	仕様 共通

TABLE OF EXCHANGING GAUGE PARTS (FOR LH-3568A)

Needle gauge size 針 幅			Needle clamp asm.(for DP5) 針 留組(DP5用)				Sliding plate asm. (Left) 滑り板(左)組	Sliding plate asm. (Front) 滑り板(前)組
Code コード			Needle clamp asm. (Left) 針 留(左)組  (Option オプション)	Needle clamp asm. (Right) 針 留(右)組  (Option オプション)	Needle clamp asm. (Left) 針 留(左)組  (Hole Type 穴タイプ)	Needle clamp asm. (Right) 針 留(右)組  (Hole Type 穴タイプ)	 Option オプション	
	inch	mm	Part No.	Part No.	Part No.	Part No.	Part No.	Part No.
B	1/8	3.2	400-35761	400-35771	B1402-528-BA0-A	B1402-528-BA0-A	400-51633	400-42874
C	5/32	4.0	400-35762	400-35772	B1402-528-CA0-A	B1402-528-CA0-A		
D	3/16	4.8	B1402-528-DAL-A	B1402-528-DAR-A	B1402-528-DAL-A	B1402-528-DAR-A		
E	7/32	5.6	B1402-528-EAL	B1402-528-EAR	B1402-528-EAL	B1402-528-EAR		
F	1/4	6.4	B1402-528-FAL-A	B1402-528-FAR-A	B1402-528-FAL-A	B1402-528-FAR-A		
G	9/32	7.1	400-35765	400-35775	B1402-528-GAL	B1402-528-GAR		
H	5/16	7.9	400-35766	400-35776	B1402-528-HAL-A	B1402-528-HAR-A		
K	3/8	9.5	B1402-528-KAL-A	B1402-528-KAR-A	B1402-528-KAL-A	B1402-528-KAR-A		
L	1/2	12.7	400-35768	400-35778	B1402-528-LAL	B1402-528-LAR		
M	5/8	15.9	400-35769	400-35779	B1402-528-MAL	B1402-528-MAR		
N	3/4	19.1	400-35770	400-35780	B1402-528-NAL	B1402-528-NAR		
P	7/8	22.2	400-71917	400-71919	B1402-528-PAL	B1402-528-PAR		
Q	1	25.4	400-71921	400-71923	B1402-528-QAL	B1402-528-QAR		
Stitch spec. 縫仕様	S				★	★		
	G							

Needle gauge size 針 幅			Needle clamp asm.(for DP17) 針 留組(DP17用)				Throat plate 針 板	Sliding plate asm. (Left) 滑り板(左)組	Sliding plate asm. (Right) 滑り板(右)組
Code コード			Needle clamp asm. (Left) 針留(左)組  Option オプション	Needle clamp asm. (Right) 針留(右)組  Option オプション	Needle clamp asm. (Left) 針 留(左)組  Option オプション	Needle clamp asm. (Right) 針 留(右)組  Option オプション			
	inch	mm	Part No.	Part No.	Part No.	Part No.	Part No.	Part No.	Part No.
B	1/8	3.2	400-35877	400-35878	B1402-526-BA0-A	B1402-526-BA0-A	226-25107	226-01058	226-00555
C	5/32	4.0	400-26063	400-26084	B1402-526-CA0-A	B1402-526-CA0-A	226-25206 ※400-72338		
D	3/16	4.8	400-26065	400-26086	B1402-526-DAL-A	B1402-526-DAR-A	226-25305 ※400-95288		
E	7/32	5.6	400-26067	400-26088	102-28559	102-28567	226-25404		
F	1/4	6.4	400-26069	400-26090	B1402-526-FAL-A	B1402-526-FAR-A	226-25503 ※400-94772		
G	9/32	7.1	400-26070	400-26091	B1402-526-GAL-A	B1402-526-GAR-A	226-25602		
H	5/16	7.9	400-26072	400-26093	B1402-526-HAL-A	B1402-526-HAR-A	226-25701		
K	3/8	9.5	400-26074	400-26095	B1402-526-KAL-A	B1402-526-KAR-A	226-25800		
L	1/2	12.7	400-26076	400-26097	B1402-526-LAL-A	B1402-526-LAR-A	226-26006		
M	5/8	15.9	400-26078	400-26099	102-28856	102-28864	226-26105		
N	3/4	19.1	400-26080	400-26101	102-28955	102-28963	226-26204		
P	7/8	22.2	—	—	—	—	226-26303		
Q	1	25.4	400-26082	400-26103	102-29151	102-29169	226-26402		
Stitch spec. 縫仕様	S				★	★	★		
	G						※のみ		

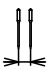









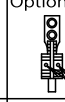
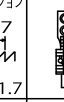
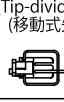

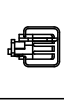

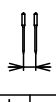
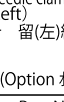
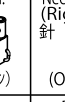

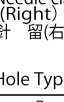

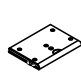
Needle gauge size 針 幅			Feed Dog 送り 歯				Presser foot asm. 押 さ え(組)		Swivel guide Presser asm. スワivelガイド 押さえ(組)
Code コード			 1.7 φ1.9	Option オプション  1.7 φ1.7	 1.7 φ2.2	Option オプション  3.2mm 1.7 2.2mm	(Tip-divided) (移動式先割れ)  2.0mm	(Tip-divided) (移動式先割れ)  2.4mm	
	inch	mm	Part No.	Part No.	Part No.	Part No.	Part No.	Part No.	Part No.
B	1/8	3.2	—	400-33563	—	—	400-35896	—	—
C	5/32	4.0	226-30206	400-25784	B1613-512-COH	—	400-35897	400-71909	—
D	3/16	4.8	226-30404	400-25785	B1613-512-DOH	400-25801	226-40353	228-16557	400-95293
E	7/32	5.6	226-30503	400-25786	B1613-512-E0H	400-25802	226-40452	228-16656	—
F	1/4	6.4	226-30602	400-25787	B1613-512-F0H	400-25803	226-40551	228-16755	400-94776
G	9/32	7.1	226-30800	400-25788	B1613-512-G0H	400-25804	226-40759	228-16854	—
H	5/16	7.9	226-30909	400-25789	B1613-512-H0H	400-25805	226-40858	228-16953	—
K	3/8	9.5	226-31006	400-25790	B1613-512-K0H	400-25806	226-40957	228-17050	—
L	1/2	12.7	226-31303	400-25792	B1613-512-L0H	400-25808	226-41252	228-17159	—
M	5/8	15.9	226-31402	400-25793	B1613-512-M0H	400-25809	226-41351	400-33945	—
N	3/4	19.1	226-31501	400-25794	B1613-512-N0H	400-25810	226-41450	400-33947	—
P	7/8	22.2	226-31709	400-25795	B1613-512-P0H	400-25811	226-41658	400-33949	—
Q	1	25.4	226-31808	400-25796	B1613-512-Q0H	400-25812	226-41757	400-33951	—
Stitch spec. 縫仕様	S		★	★			★		
	G				★	★		★	★

TABLE OF EXCHANGING GAUGE PARTS (FOR LH-3568A-7)

Needle gauge size 針 幅		Feed Dog 送 り 歯				Presser foot asm. 押 さ え(組)		Swivel guide Presser asm. スワッフルガイド 押さえ(組)	Throat plate 針 板
Code コード			 1.7 Option オプション φ1.9	 1.7 Option オプション φ2.4	 2.2mm Option オプション φ2.2mm	 (Tip-divided) (移動式先割れ) 2.0mm	 (Tip-divided) (移動式先割れ) 2.4mm		
	inch	mm	Part No.	Part No.	Part No.	Part No.	Part No.	Part No.	Part No.
B	1/8	3.2	400-61270	400-35890	—	400-53705	400-35896	—	400-35881
C	5/32	4.0	400-61271	400-25817	400-71911	—	400-35897	400-71909	400-25485
D	3/16	4.8	400-61272	400-25818	400-35891	400-25831	226-40353	228-16557	400-95293 400-25490 400-95289
E	7/32	5.6	400-61273	400-25819	400-50009	400-25832	226-40452	228-16656	400-25491
F	1/4	6.4	400-61274	400-26715	400-35892	400-25833	226-40551	228-16755	400-94776 400-25492 400-94773
G	9/32	7.1	400-61275	400-25820	400-50010	400-25834	226-40759	228-16854	400-25493
H	5/16	7.9	400-61276	400-25821	400-50011	400-25835	226-40858	228-16953	400-25494
K	3/8	9.5	400-61277	400-25822	400-35893	400-25836	226-40957	228-17050	400-25495
L	1/2	12.7	400-61278	400-25824	400-35894	400-25838	226-41252	228-17159	400-25498
M	5/8	15.9	400-61279	400-25825	400-71912	400-25839	226-41351	400-33945	400-25499
N	3/4	19.1	400-61280	400-25826	400-35895	400-25840	226-41450	400-33947	400-25500
P	7/8	22.2	400-61281	400-25827	400-71913	400-25841	226-41658	400-33949	400-25502
Q	1	25.4	400-61282	400-25828	400-71914	400-25842	226-41757	400-33951	400-25503
Stitch spec. 縫 仕 様	S		★	★			★		★
	G				★	★		★	★

Needle gauge size 針 幅		Needle clamp asm.(for DP5) 針 留組(D P 5用)				Sliding plate asm. (Left) 滑り板(左)組	Sliding plate asm. (Front) 滑り板(前)組	
Code コード			 Needle clamp asm. (Left) 針留(左)組 (Option オプション)	 Needle clamp asm. (Right) 針留(右)組 (Option オプション)	 Needle clamp asm. (Left) 針留(左)組 (Hole Type 穴タイプ)	 Needle clamp asm. (Right) 針留(右)組 (Hole Type 穴タイプ)	 Option オプション	
	inch	mm	Part No.	Part No.	Part No.	Part No.	Part No.	Part No.
B	1/8	3.2	400-35761	400-35771	B1402-528-BA0-A	B1402-528-BA0-A		
C	5/32	4.0	400-35762	400-35772	B1402-528-CA0-A	B1402-528-CA0-A		
D	3/16	4.8	B1402-528-DAL-A	B1402-528-DAR-A	B1402-528-DAL-A	B1402-528-DAR-A		
E	7/32	5.6	B1402-528-EAL	B1402-528-EAR	B1402-528-EAL	B1402-528-EAR	400-51633	
F	1/4	6.4	B1402-528-FAL-A	B1402-528-FAR-A	B1402-528-FAL-A	B1402-528-FAR-A		
G	9/32	7.1	400-35765	400-35775	B1402-528-GAL	B1402-528-GAR		
H	5/16	7.9	400-35766	400-35776	B1402-528-HAL-A	B1402-528-HAR-A		400-42880
K	3/8	9.5	—	—	B1402-528-KAL-A	B1402-528-KAR-A		
L	1/2	12.7	400-35768	400-35778	B1402-528-LAL	B1402-528-LAR		
M	5/8	15.9	400-35769	400-35779	B1402-528-MAL	B1402-528-MAR	400-45729	
N	3/4	19.1	400-35770	400-35780	B1402-528-NAL	B1402-528-NAR		
P	7/8	22.2	400-71917	400-71919	B1402-528-PAL	B1402-528-PAR		
Q	1	25.4	400-71921	400-71923	B1402-528-QAL	B1402-528-QAR	400-45730	
Stitch spec. 縫 仕 様	S		Spec.common	Spec.common	Spec.common	Spec.common	Spec.common	Spec.common
	G		仕様 共通	仕様 共通	仕様 共通	仕様 共通	仕様 共通	仕様 共通

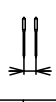
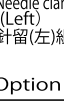



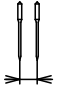
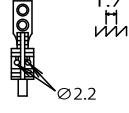
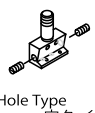
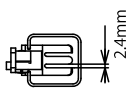
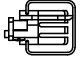

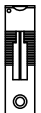
Needle gauge size 針 幅		Needle clamp asm.(for DP17) 針 留組(D P 17用)				Sliding plate asm. (Left) 滑り板(左)組	Sliding plate asm. (Right) 滑り板(右)組	
Code コード			 Needle clamp asm. (Left) 針留(左)組 Option オプション	 Needle clamp asm. (Right) 針留(右)組 Option オプション	 Needle clamp asm. (Left) 針留(左)組 Option オプション	 Needle clamp asm. (Right) 針留(右)組 Option オプション		
	inch	mm	Part No.	Part No.	Part No.	Part No.	Part No.	Part No.
B	1/8	3.2	400-35877	400-35878	B1402-526-BA0-A	B1402-526-BA0-A		
C	5/32	4.0	400-26063	400-26084	B1402-526-CA0-A	B1402-526-CA0-A		
D	3/16	4.8	400-26065	400-26086	B1402-526-DAL-A	B1402-526-DAR-A		
E	7/32	5.6	400-26067	400-26088	102-28559	102-28567		
F	1/4	6.4	400-26069	400-26090	B1402-526-FAL-A	B1402-526-FAR-A	400-25247	400-25235
G	9/32	7.1	400-26070	400-26091	B1402-526-GAL-A	B1402-526-GAR-A		
H	5/16	7.9	400-26072	400-26093	B1402-526-HAL-A	B1402-526-HAR-A		
K	3/8	9.5	400-26074	400-26095	B1402-526-KAL-A	B1402-526-KAR-A		
L	1/2	12.7	400-26076	400-26097	B1402-526-LAL-A	B1402-526-LAR-A		
M	5/8	15.9	400-26078	400-26099	102-28856	102-28864	400-25248	400-25236
N	3/4	19.1	400-26080	400-26101	102-28955	102-28963		
P	7/8	22.2	—	—	—	—		
Q	1	25.4	400-26082	400-26103	102-29151	102-29169	400-25249	400-25239
Stitch spec. 縫 仕 様	S		Spec.common	Spec.common	Spec.common	Spec.common	Spec.common	Spec.common
	G		仕様 共通	仕様 共通	仕様 共通	仕様 共通	仕様 共通	仕様 共通

TABLE OF EXCHANGING GAUGE PARTS (LH-3578A TYPE G)

Needle gauge size 針 幅		Feed Dog 送り 歯		Needle clamp asm. 針 留 組	Presser foot asm. 押 さ え(組)	Swivel guide Presser asm. スィブルガイド 押 さ え(組)	Throat plate (with Taping) 針 板 (テープ付)	Throat plate 針 板
Code コード								
	inch	mm	Part No.	Part No.	Part No.	Part No.	Part No.	Part No.
A	3/32	2.4	—	—	101-47551	—	—	—
B	1/8	3.2	B1613-512-B0H	—	101-47650	—	226-28002	—
C	5/32	4.0	B1613-512-C0H	—	101-47759	400-71909	226-28101	—
D	3/16	4.8	B1613-512-D0H	400-25801	101-47858	228-16557	400-95293	226-28200
E	7/32	5.6	B1613-512-E0H	400-25802	101-47957	228-16656	—	226-28309
F	1/4	6.4	B1613-512-F0H	400-25803	101-48054	228-16755	400-94776	226-28408
G	9/32	7.1	B1613-512-G0H	400-25804	101-48153	228-16854	—	226-28507
H	5/16	7.9	B1613-512-H0H	400-25805	101-48252	228-16953	—	226-28606
K	3/8	9.5	B1613-512-K0H	400-25806	101-48351	228-17050	—	—
W	7/16	11.1	400-75311	400-25807	101-48450	400-33941	—	—
L	1/2	12.7	B1613-512-L0H	400-25808	101-48559	228-17159	—	—
M	5/8	15.9	B1613-512-M0H	400-25809	101-48658	400-33945	—	—
N	3/4	19.1	B1613-512-N0H	400-25810	101-48757	400-33947	—	—
P	7/8	22.2	B1613-512-P0H	400-25811	101-48856	400-33949	—	—
Q	1	25.4	B1613-512-Q0H	400-25812	101-48955	400-33951	—	—
R	1-1/8	28.6	B1613-512-R0H	400-25813	101-49052	400-33953	—	—
S	1-1/4	31.8	B1613-512-S0H	400-25814	101-49151	400-33955	—	—
T	1-3/8	34.9	B1613-512-T0H	400-25815	101-49250	400-33957	—	—
U	1-1/2	38.1	B1613-512-U0H	400-25816	101-49359	400-33959	—	—


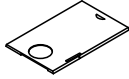
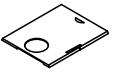








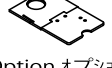


Needle gauge size 針 幅		Sliding plate asm. (Left) 滑り板(左)組	Sliding plate asm. (Right) 滑り板(右)組	Sliding plate asm. (Left) 滑り板(左)組	Sliding plate asm. (Front) 滑り板(前)組
Code コード					
	inch	mm	Part No.	Part No.	Part No.
A	3/32	2.4	226-01058	226-00555	400-51633
B	1/8	3.2			
C	5/32	4.0			
D	3/16	4.8			
E	7/32	5.6			
F	1/4	6.4			
G	9/32	7.1			
H	5/16	7.9			
K	3/8	9.5			
W	7/16	11.1			
L	1/2	12.7	226-01157	226-00654	400-45729
M	5/8	15.9			
N	3/4	19.1			
P	7/8	22.2			
Q	1	25.4			
R	1-1/8	28.6	226-01256	226-00753	400-45730
S	1-1/4	31.8			
T	1-3/8	34.9			
U	1-1/2	38.1			
			226-01355	226-00852	400-45731

TABLE OF EXCHANGING GAUGE PARTS (LH-3588A TYPE G)

Needle gauge size 針 幅		Needle clamp asm.(for DP17) 針 留組(D P 17用)		Needle clamp asm.(for DP5) 針 留組(D P 5用)		
Code コード			Needle clamp asm. (Left) 針 留(左)組 	Needle clamp asm. (Right) 針 留(右)組 	Needle clamp asm. (Left) 針 留(左)組 	Needle clamp asm. (Right) 針 留(右)組 
	inch	mm	Option オプション Part No.	Option オプション Part No.	(Hole Type 穴タイプ) Part No.	(Hole Type 穴タイプ) Part No.
B	1/8	3.2	B1402-526-BA0-A	B1402-526-BA0-A	B1402-528-BA0-A	B1402-528-BA0-A
C	5/32	4.0	B1402-526-CA0-A	B1402-526-CA0-A	B1402-528-CA0-A	B1402-528-CA0-A
D	3/16	4.8	B1402-526-DAL-A	B1402-526-DAR-A	B1402-528-DAL-A	B1402-528-DAR-A
E	7/32	5.6	102-28559	102-28567	B1402-528-EAL	B1402-528-EAR
F	1/4	6.4	B1402-526-FAL-A	B1402-526-FAR-A	B1402-528-FAL-A	B1402-528-FAR-A
G	9/32	7.1	B1402-526-GAL-A	B1402-526-GAR-A	B1402-528-GAL	B1402-528-GAR
H	5/16	7.9	B1402-526-HAL-A	B1402-526-HAR-A	B1402-528-HAL-A	B1402-528-HAR-A
K	3/8	9.5	B1402-526-KAL-A	B1402-526-KAR-A	B1402-528-KAL-A	B1402-528-KAR-A
L	1/2	12.7	B1402-526-LAL-A	B1402-526-LAR-A	B1402-528-LAL	B1402-528-LAR
M	5/8	15.9	102-28856	102-28864	B1402-528-MAL	B1402-528-MAR
N	3/4	19.1	102-28955	102-28963	B1402-528-NAL	B1402-528-NAR
P	7/8	22.2	—	—	B1402-528-PAL	B1402-528-PAR
Q	1	25.4	102-29151	102-29169	B1402-528-QAL	B1402-528-QAR

Needle gauge size 針 幅		Throat plate 針 板	Sliding plate asm. (Left) 滑り板(左)組 	Sliding plate asm. (Right) 滑り板(右)組 	Sliding plate asm. (Left) 滑り板(左)組 	Sliding plate asm. (Front) 滑り板(前)組 
Code コード			Option オプション			
	inch	mm	Part No.	Part No.	Part No.	Part No.
B	1/8	3.2	—	226-01058	226-00555	400-51633
C	5/32	4.0	—			
D	3/16	4.8	400-95288			
E	7/32	5.6	—			
F	1/4	6.4	400-94772			
G	9/32	7.1	—			
H	5/16	7.9	—			
K	3/8	9.5	—			
L	1/2	12.7	—	226-01157	226-00654	400-45729
M	5/8	15.9	—			
N	3/4	19.1	—			
P	7/8	22.2	—	226-01256	226-00753	400-45730
Q	1	25.4	—			

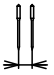
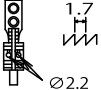

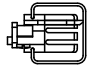


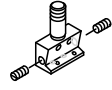
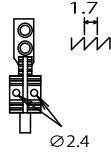
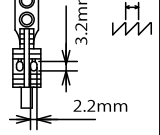
Needle gauge size 針 幅		Feed Dog 送り 歯		Presser foot asm. 押さ え(組)	Swivel guide Presser asm. スィブルガイド 押さ え(組)
Code コード					
	inch	mm	Option オプション Part No.	(Tip-divided) (移動式先割れ) Part No.	Part No.
B	1/8	3.2	—	—	—
C	5/32	4.0	B1613-512-C0H	—	400-71909
D	3/16	4.8	B1613-512-D0H	400-25801	228-16557
E	7/32	5.6	B1613-512-E0H	400-25802	228-16656
F	1/4	6.4	B1613-512-F0H	400-25803	228-16755
G	9/32	7.1	B1613-512-G0H	400-25804	228-16854
H	5/16	7.9	B1613-512-H0H	400-25805	228-16953
K	3/8	9.5	B1613-512-K0H	400-25806	228-17050
L	1/2	12.7	B1613-512-L0H	400-25808	228-17159
M	5/8	15.9	B1613-512-M0H	400-25809	400-33945
N	3/4	19.1	B1613-512-N0H	400-25810	400-33947
P	7/8	22.2	B1613-512-P0H	400-25811	400-33949
Q	1	25.4	B1613-512-Q0H	400-25812	400-33951

TABLE OF EXCHANGING GAUGE PARTS (LH-3578A-7 TYPE G)

Needle gauge size 針 幅		Throat plate 針 板	Needle clamp asm. 針 留 組	Feed dog 送 り 歯		
Code コード			 Hole Type 穴タイプ	 1.7 1.7 φ2.4	 1.7 3.2mm 2.2mm	Option オプション
	inch	mm	Part No.	Part No.	Part No.	Part No.
A	3/32	2.4	—	101-47551	—	—
B	1/8	3.2	400-35881	101-47650	—	400-53705
C	5/32	4.0	400-25485	101-47759	400-71911	—
D	3/16	4.8	400-95289	101-47858	400-35891	400-25831
E	7/32	5.6	400-25491	101-47957	400-50009	400-25832
F	1/4	6.4	400-94773	101-48054	400-35892	400-25833
G	9/32	7.1	400-25493	101-48153	400-50010	400-25834
H	5/16	7.9	400-25494	101-48252	400-50011	400-25835
K	3/8	9.5	400-25495	101-48351	400-35893	400-25836
W	7/16	11.1	400-25496	101-48450	—	400-25837
L	1/2	12.7	400-25498	101-48559	400-35894	400-25838
M	5/8	15.9	400-25499	101-48658	400-71912	400-25839
N	3/4	19.1	400-25500	101-48757	400-35895	400-25840
P	7/8	22.2	400-25502	101-48856	400-71913	400-25841
Q	1	25.4	400-25503	101-48955	400-71914	400-25842
R	1- 1/8	28.6	400-25504	101-49052	400-71915	400-25843
S	1- 1/4	31.8	400-25505	101-49151	400-71916	400-25844
T	1- 3/8	34.9	—	101-49250	—	—
U	1- 1/2	38.1	—	101-49359	—	—

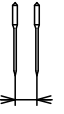
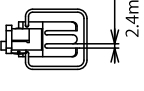
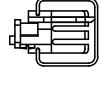
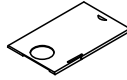
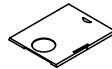
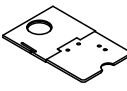
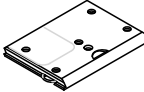




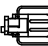











Needle gauge size 針 幅		Presser foot asm. 押 さ え(組)	Swivel guide Presser asm. スイブルガイド 押さえ(組)	Sliding plate asm. (Left) 滑り板(左)組	Sliding plate asm. (Right) 滑り板(右)組	Sliding plate asm. (Left) 滑り板(左)組	Sliding plate asm. (Front) 滑り板(前)組
Code コード		 (Tip-divided) (移動式先割れ) 2.4mm				 Option オプション	
	inch	mm	Part No.	Part No.	Part No.	Part No.	Part No.
B	1/8	3.2	—	—	—	—	—
C	5/32	4.0	400-71909	—	—	—	—
D	3/16	4.8	228-16557	400-95293	—	—	—
E	7/32	5.6	228-16656	—	—	—	—
F	1/4	6.4	228-16755	400-94776	400-25247	400-25235	400-51633
G	9/32	7.1	228-16854	—	—	—	—
H	5/16	7.9	228-16953	—	—	—	—
K	3/8	9.5	228-17050	—	—	—	—
W	7/16	11.1	400-33941	—	—	—	400-42880
L	1/2	12.7	228-17159	—	—	—	—
M	5/8	15.9	400-33945	—	400-25248	400-25236	400-45729
N	3/4	19.1	400-33947	—	—	—	—
P	7/8	22.2	400-33949	—	—	—	—
Q	1	25.4	400-33951	—	400-25249	400-25239	400-45730
R	1- 1/8	28.6	400-33953	—	—	—	—
S	1- 1/4	31.8	400-33955	—	400-25250	400-25240	400-45731

TABLE OF EXCHANGING GAUGE PARTS (LH-3588A-7 TYPE G)

Needle gauge size 針 幅		Feed Dog 送 り 歯		Throat plate 針 板	Presser foot asm. 押 さ え(組)	Swivel guide Presser asm. スィブルガイド 押さえ (組)
Code コード			Option オプション 		(Tip-divided) (移動式先割れ) 	
	inch	mm	Part No.	Part No.	Part No.	Part No.
B	1/8	3.2	—	400-53705	400-35881	400-35896
C	5/32	4.0	400-71911	—	400-25485	400-71909
D	3/16	4.8	400-35891	400-25831	400-95289	228-16557
E	7/32	5.6	400-50009	400-25832	400-25491	228-16656
F	1/4	6.4	400-35892	400-25833	400-94773	228-16755
G	9/32	7.1	400-50010	400-25834	400-25493	228-16854
H	5/16	7.9	400-50011	400-25835	400-25494	228-16953
K	3/8	9.5	400-35893	400-25836	400-25495	228-17050
L	1/2	12.7	400-35894	400-25838	400-25498	228-17159
M	5/8	15.9	400-71912	400-25839	400-25499	400-33945
N	3/4	19.1	400-35895	400-25840	400-25500	400-33947
P	7/8	22.2	400-71913	400-25841	400-25502	400-33949
Q	1	25.4	400-71914	400-25842	400-25503	400-33951

Needle gauge size 針 幅		Needle clamp asm.(for DP5) 針 留組(D P 5用)		Needle clamp asm.(for DP17) 針 留組(D P 17用)	
Code コード		Needle clamp asm. (Left) 針 留(左組)  (Hole Type 穴タイプ)	Needle clamp asm. (Right) 針 留(右組)  (Hole Type 穴タイプ)	Needle clamp asm. (Left) 針 留(左組)  Option オプション	Needle clamp asm. (Right) 針 留(右組)  Option オプション
	inch	mm	Part No.	Part No.	Part No.
B	1/8	3.2	B1402-528-BA0-A	B1402-528-BA0-A	B1402-526-BA0-A
C	5/32	4.0	B1402-528-CA0-A	B1402-528-CA0-A	B1402-526-CA0-A
D	3/16	4.8	B1402-528-DAL-A	B1402-528-DAR-A	B1402-526-DAL-A
E	7/32	5.6	B1402-528-EAL	B1402-528-EAR	102-28559
F	1/4	6.4	B1402-528-FAL-A	B1402-528-FAR-A	B1402-526-FAL-A
G	9/32	7.1	B1402-528-GAL	B1402-528-GAR	B1402-526-GAL-A
H	5/16	7.9	B1402-528-HAL-A	B1402-528-HAR-A	B1402-526-HAL-A
K	3/8	9.5	B1402-528-KAL-A	B1402-528-KAR-A	B1402-526-KAL-A
L	1/2	12.7	B1402-528-LAL	B1402-528-LAR	B1402-526-LAL-A
M	5/8	15.9	B1402-528-MAL	B1402-528-MAR	102-28856
N	3/4	19.1	B1402-528-NAL	B1402-528-NAR	102-28955
P	7/8	22.2	B1402-528-PAL	B1402-528-PAR	—
Q	1	25.4	B1402-528-QAL	B1402-528-QAR	102-29151

Needle gauge size 針 幅		Sliding plate asm. (Left) 滑り板(左)組	Sliding plate asm. (Right) 滑り板(右)組	Sliding plate asm. (Left) 滑り板(左)組	Sliding plate asm. (Front) 滑り板(前) 組
Code コード				 Option オプション	
	inch	mm	Part No.	Part No.	Part No.
B	1/8	3.2	400-25247	400-25235	400-51633
C	5/32	4.0			
D	3/16	4.8			
E	7/32	5.6			
F	1/4	6.4			
G	9/32	7.1			
H	5/16	7.9			
K	3/8	9.5	400-42880		
L	1/2	12.7			
M	5/8	15.9			
N	3/4	19.1	400-25248	400-25236	400-45729
P	7/8	22.2	400-25249	400-25239	400-45730
Q	1	25.4			

HOW TO MAKE USE OF THIS PARTS LIST

1.Explanation of codes

1)"*"mark.....means this part is changed from the previous parts book.

As to the details of the change, refer to the "List for information of change".

2)"#01".....refer to "Note" explanation at bottom of page.

2.Codes on the "Qty" column

- Each numeral indicates the number of parts required.
- "0.1" and "2.5" indicate the length (in meters) of the respective parts.

3.Parentheses mean that the corresponding part is a subpart that constructs an assembly part.

4.Dotted lines on the Figures indicate assembly parts.

5.As to the parts with marks of "☆"(consumable parts) and "◎"(optional parts)on the respective parts, it is recommended to prepare spares.

1 ."注記"欄の記号説明

1) "*"印.....前回のパーツブックに比較して今回変更された部品を意味します。

変更内容は、"変更情報リスト"を参照してください。

2) "#01".....ページ下の"注記"の説明を参照してください。

2.数量欄の数字は、個数を表し、0.1、2.5等の数値は、長さ（単位メートル）を表します。

3.数量欄の（ ）は、組部品を構成している子部品であることを意味します。

4.イラストページの-----枠は、組構成であることを意味します。

5.リストページの"☆"（消耗部品）、"◎"（オプション部品）の印がついた部品は、予備を準備しておくことをお奨めします。

NUMERICAL INDEX OF PARTS

PART NO	PAGE	REF NO.	PART NO	PAGE	REF NO.	PART NO	PAGE	REF NO.
10109809	36	3~7	13138201	24	35	22618706	28	4
10109908	38	21	13160106	76	12	22618805	22	8
10111003	36	3~7	13319405	44	73	22618805	28	8
10111102	36	3~7	22529473	24	9	22618904	22	26
10111201	36	3~7	22600555	4	37-38	22618904	28	26
10111508	34	54	22601058	4	33-34	22619100	2	8
10111508	76	18	22603708	4	44	22622401	10	10
10112407	38	22	22603708	64	73	22625503	4	35-36-75- -76
10112506	36	3~7	22605307	10	2	22640551	50	42
10112605	32	35~39	22606206	14	5~12	22653802	34	52
10112704	32	35~39	22606206	18	47~54	22653802	78	43
10119204	56	36	22606305	14	5~12	22656003	46	86
10124204	22	28	22606305	18	47~54	22657209	60	5
10124204	28	28	22606404	14	5~12	22657308	60	8
10124303	22	29	22606404	18	47~54	22681209	16	2
10124303	28	29	22606800	14	2	22681316	16	26
10126803	64	51	22607600	14	5~12	22681407	16	24
10148054	14	18	22607600	18	47~54	22681506	16	25
10209203	60	31~34	22607709	14	5~12	22681712	16	8
10209500	60	31~34	22607709	18	47~54	22681803	16	15
10209807	60	31~34	22607808	14	5~12	22681951	16	10~14
10209906	60	31~34	22607808	18	47~54	22682058	16	10~14
10210805	34	21-53	22607907	14	5~12	22682157	16	10~14
10210805	76	19-20	22607907	18	47~54	22682256	16	10~14
10231603	36	18-19	22612303	32	50	22682355	16	10~14
10697506	22	35	22612303	34	50	22682504	20	83
10697506	28	35	22612402	32	23	22682702	16	7
10697605	22	3	22613509	32	14	22683304	18	57
10697605	28	3	22614002	32	35~39	22683403	18	61
10741106	22	31	22614101	32	35~39	22683601	18	69
10741106	28	31	22614200	32	35~39	22683809	18	59
11015906	32	48	22615702	30	64	22683908	18	65
11015906	34	48	22617609	22	10	22684005	18	66
11015906	36	42	22617609	28	10	22684104	18	62
11045101	22	32	22617708	22	11	22684203	18	64
11045101	28	32	22617708	28	11	22685200	16	40
11072402	22	34	22617807	22	13	22685200	18	40
11072402	24	6	22617807	28	13	22685408	16	41
11072402	28	34	22617906	22	18	22685408	18	41
11305901	52	27	22617906	28	18	22685705	20	77
11957008	22	22	22618201	22	15	22685804	16	21
11957008	28	22	22618201	28	15	22685903	16	17
12455507	76	9	22618300	22	16	22686000	16	20
12455705	76	10	22618300	28	16	22686109	16	23
13102702	14	29	22618706	22	4			

NUMERICAL INDEX OF PARTS

PART NO	PAGE	REF NO.	PART NO	PAGE	REF NO.	PART NO	PAGE	REF NO.
22687008	30	61	22933006	76	22	23629306	64	45
22687107	30	59	22933105	76	6	23629405	62	34
22687503	30	54	22933204	76	7	23629504	64	64
22687602	30	57	22933303	76	29	23630007	62	67
22687701	30	55	22933600	68	11	23630007	64	67
22688105	32	41	22933659	68	9	23630106	62	35
22688154	32	4	22933758	68	10	23630403	64	77
22688204	32	6	22934202	70	21	23630502	64	76
22688402	32	5	22934251	70	15	23630601	62	33
22810907	10	8	22934301	70	16	23630650	62	36
22813000	36	9	22934400	70	17	23631708	56	3
22813109	36	8	22934509	70	18	23631807	56	4
22819809	36	21	22934608	70	19	23631906	56	5
22827257	36	39	22934707	70	12	23632102	56	8
22888507	38	11	22945307	24	11	23638109	56	39
22901805	2	29	22945505	24	7	23638208	56	41
22903702	16	1	22948558	52	10	23638307	56	40
22907406	48	28·36	22952501	44	84	23638406	56	42
22907604	50	34	22955504	60	2	26034702	76	15
22907703	50	35	22955900	60	10	26034801	76	13
22907802	48	1	22956007	60	11	26230409	64	69
22908008	48	9	22956205	60	7	26233700	76	14
22911804	42	15	22957104	60	13	26260109	68	15
22912109	44	42	22957203	60	19	26260208	68	16
22920706	6	66	22958003	76	32	26260307	68	17
22921209	24	12	22958052	76	30	26260406	68	18
22921308	68	40	22991400	72	8	26260505	68	19
22921407	24	14	23203300	26	44	26260604	68	20
22921407	68	41	23204506	14	13~15	26260802	68	22
22921506	24	15	23204506	18	44~46	26261206	68	26
22921506	68	42	23204605	14	13~15	26261305	68	27
22921605	24	16	23204605	18	44~46	26261503	68	28
22921704	68	43	23204704	14	13~15	26261602	68	29
22921803	24	18	23204704	18	44~46	26261701	68	30
22924708	64	41	23204803	66	84	40004171	10	16
22926000	76	31	23206709	2	10	40004749	62	28
22926208	76	33	23542418	52	6	40006323	76	17
22926356	76	35	23601057	2	5	40009196	60	6
22926505	76	34	23609001	50	41	40009222	24	26
22931604	76	16	23609209	50	33	40010417	12	40
22932107	70	4	23609605	48	6	40010434	52	9
22932206	70	8	23618804	38	7	40010470	10	9
22932404	70	11	23626005	24	31	40011144	68	21
22932453	70	10	23628803	64	49	40011145	68	23
22932800	76	5	23628902	64	53	40011146	68	24

NUMERICAL INDEX OF PARTS

PART NO	PAGE	REF NO.	PART NO	PAGE	REF NO.	PART NO	PAGE	REF NO.
40011906	42	32	40022678	10	6	40028285	46	92
40011926	44	68	40023022	68	25	40028286	42	9
40011932	42	37	40023568	14	32	40028287	44	70
40011934	42	35·36	40023568	18	73	40028291	44	66
40011935	42	7	40023569	14	33	40028293	42	2
40011939	44	43	40023569	18	74	40028294	44	67
40011946	42	35·36	40024064	18	67	40028485	38	8·9·42~ 45
40011947	38	28	40024093	10	4	40028486	40	26·27·46 ~49
40012085	32	51	40024436	10	18	40028487	38	8·9·42~ 45
40012085	34	51	40024473	18	58	40028488	40	26·27·46 ~49
40012404	54	58	40025191	70	7	40028489	38	36
40012487	54	46	40025235	4	37·38	40028495	38	32
40012488	52	45	40025247	4	33·34	40028496	38	33
40012489	54	55	40025315	42	8	40028545	48	12
40012492	52	39	40025316	44	65	40028546	48	20·48
40012495	54	50	40025492	4	35·36·75- 76	40028547	50	37
40012496	54	56	40026035	14	16	40028560	32	28~33
40012497	52	38	40026395	14	1	40028560	36	22~27
40012500	54	36·71	40026402	16	3	40028561	32	28~33
40012503	52	35	40026482	14	25	40028561	36	22~27
40012504	52	29	40026482	20	78	40028562	32	28~33
40012505	52	30	40026673	42	12	40028562	36	22~27
40012506	52	20	40026811	6	60	40028562	36	22~27
40013061	38	6	40026920	12	31	40028563	32	28~33
40013316	54	60	40026981	18	39	40028563	36	22~27
40013354	10	26	40026982	16	30	40028641	30	63
40013362	44	64	40026983	16	29	40028652	12	41
40013509	64	81	40026984	16	38	40028656	38	40
40015144	18	71	40028031	14	31	40028666	14	20
40015669	52	24	40028116	12	36	40028668	16	6
40015699	24	28	40028117	10	19	40028679	18	60
40017361	52	13	40028200	20	82	40028706	4	45
40017362	52	25	40028245	2	13	40028730	2	27
40017399	52	8	40028250	24	4	40028731	4	46
40017400	52	12	40028259	30	72	40028766	2	2
40017401	52	15	40028268	48	17	40028778	70	2
40017402	52	16	40028269	50	40	40028797	60	24
40017403	52	23	40028271	38	1	40028799	60	25
40021726	54	33·70	40028274	44	57	40028843	30	69
40021883	52	40	40028276	44	59	40028844	30	71
40021898	52	43	40028277	44	49	40028852	44	51
40021899	52	42	40028279	42	39	40028853	14	27
40022407	6	55	40028280	44	63	40028853	20	80
40022589	38	12	40028284	42	3			
40022590	38	13						

NUMERICAL INDEX OF PARTS

PART NO	PAGE	REF NO.	PART NO	PAGE	REF NO.	PART NO	PAGE	REF NO.
40028854	42	5	40032804	64	44	40036689	32	49
40028855	44	72	40032896	4	43	40036689	34	49
40029047	12	39	40032987	10	21	40037008	68	45
40029048	12	35	40033160	54	52-69	40039604	64	46
40029049	12	43	40033434	48	24	40039625	66	85
40029075	62	17	40033435	48	25	40039629	16	9
40029078	8	78	40033668	44	80-81	40039824	60	28
40029347	2	22	40033669	14	23	40040302	14	37
40029561	16	35	40033669	18	75	40040549	32	28~33
40029562	18	42	40034267	68	8	40040549	36	22~27
40029570	38	18	40034660	26	43	40040550	32	28~33
40029641	2	16-17	40034675	6	61	40040550	36	22~27
40029964	10	11	40034840	24	24	40040809	64	75
40029972	2	16-17	40034853	70	3	40040924	46	87
40030027	20	88	40034969	38	8-9-42~45	40040963	46	94
40030037	14	30	40034970	40	26-27-46~49	40041578	64	82
40030038	14	38	40034971	40	8-9-42~45	40041579	64	83
40030298	2	14-15	40034972	40	26-27-46~49	40042121	32	1
40030299	2	14-15	40035151	48	11	40042141	38	16
40030768	76	38	40035180	6	51	40042151	60	17
40030856	56	27	40035181	48	16	40042874	4	39-40
40030954	72	17	40035264	66	87	40042880	4	39-40
40030956	60	12	40035277	56	33	40043322	12	46
40030962	72	4	40035278	56	32	40043333	36	34-35
40031348	42	26	40035298	48	21	40043334	36	34-35
40031349	42	40	40035394	48	4	40043335	36	37-38
40031350	44	75	40035704	44	50	40043336	36	37-38
40031351	38	4	40035828	48	22	40043921	40	8-9-42~45
40031352	52	33-70	40035873	76	21	40043922	38	26-27-46~49
40031862	14	34	40036167	64	39	40043923	40	8-9-42~45
40031864	10	13	40036221	72	2	40043924	38	26-27-46~49
40032107	70	1	40036222	72	3	40044393	54	51-64
40032124	14	26	40036223	72	9	40049219	24	40
40032124	20	79	40036333	64	61	40050003	36	1
40032142	12	34	40036360	56	18	40050314	50	46
40032147	18	55	40036428	76	37	40050584	44	18-47
40032268	44	45	40036433	42	18-47	40051384	48	8
40032269	42	10	40036446	52	36-71	40051473	10	28
40032272	50	38	40036679	44	56	40052366	24	5
40032293	42	22	40036682	34	46-47	40053231	48	19-49
40032327	30	50	40036683	32	46-47	40053371	36	29
40032405	64	55	40036685	32	40	40055358	36	20
40032406	64	56						
40032707	24	1-2						
40032709	24	1-2						

NUMERICAL INDEX OF PARTS

PART NO	PAGE	REF NO.	PART NO	PAGE	REF NO.	PART NO	PAGE	REF NO.
40055883	72	1	40091143	32	22	40091265	28	33
40056385	72	21	40091144	32	3	40091266	28	41
40056438	72	22	40091179	2	20	40091267	28	45
40056698	24	10	40091180	10	24	40091282	76	1
40056705	76	4	40091181	10	23	40091286	58	46
40057361	36	11	40091182	6	68	40092944	76	39
40057398	48	5	40091183	6	70	40093056	78	40
40059036	18	56	40091184	6	71	40093057	78	42
40059504	72	16	40091185	6	72	40093523	56	9
40059505	72	19	40091186	6	73	40094315	46	90
40059786	36	40·41	40091187	44	62	40094316	46	91
40059787	36	40·41	40091188	42	20	40094318	44	61
40060689	24	29	40091189	44	53	40094770	22	1·2
40060693	26	41	40091190	42	30	40094771	28	1·2
40060840	26	42	40091191	22	1·2	40094772	8	35·36·75- ·76
40065712	52	2	40091192	28	1·2	40094773	8	35·36·75- ·76
40065722	54	67	40091193	22	41	40095142	44	80·81
40066128	52	1	40091193	28	46	40096206	46	88
40067594	44	58	40091194	26	48	40096325	74	22
40076708	54	52·69	40091195	62	19	40096326	74	23
40076709	54	51·64	40091196	62	26	40096327	74	20
40080006	24	30	40091197	62	13	40096939	4	41
40083824	22	38	40091198	66	89	40096975	60	1
40083824	28	38	40091199	66	90	40097210	62	59
40084142	2	24	40091200	62	15	40097210	64	59
40084419	48	32	40091201	62	32	40097211	74	1
40084941	48	23	40091202	62	14	40098612	56	43
40085717	50	19·49	40091203	62	24	40098762	54	72
40085773	50	20·48	40091204	62	30	40098763	54	73
40085784	74	13	40091205	62	22	40098764	54	74
40085785	74	7	40091208	56	1·2	40098905	12	45
40085788	74	17	40091209	56	1·2	40100131	56	28
40085789	74	16	40091210	56	37	40100900	60	21
40085790	74	15	40091211	56	17	40102831	50	50
40085791	74	14	40091212	68	38	40104434	38	2
40085792	74	8	40091227	10	29	40104435	38	3
40085793	74	6	40091238	62	29	40104436	32	2
40085794	74	3	40091241	68	39	40104436	36	2
40085795	74	4	40091246	56	38	40106574	74	19
40085796	74	21	40091256	56	7	40106575	74	2
40086678	60	14	40091257	56	6	40106576	74	11
40086679	60	15	40091258	22	33	40106579	74	12
40089557	68	1	40091259	22	23	40106580	74	10
40089558	68	2	40091259	28	23	40106583	74	9
40089647	68	14	40091264	62	37			

NUMERICAL INDEX OF PARTS

PART NO	PAGE	REF. NO.	PART NO	PAGE	REF. NO.	PART NO	PAGE	REF. NO.
40108582	52	4	B3142527000	22	6	EA9500B0100	54	59
40109415	54	49	B3142527000	28	6	EA9500B0100	56	45
B1104051000	2	26	B3143527000	22	14	EA9500B0100	58	45
B1116210D00	70	9	B3143527000	28	14	EA9500B0100	66	91
B1402528FALA	20	84	B3214047000	24	8	EA9500B0200	64	92
B1402528FARA	20	86	B3517009000	64	43	EA9500B0200	66	92
B1425526000	16	34	B3525357000	62	58	GAK33027000	72	7
B1438512B00	14	5~12	B3525357000	64	58	GAKA18300B0	72	15
B1438512B00	18	47~54	B3538112000	54	63	HK034610140	56	14
B1449526000	28	43	B8228125000	62	18	HK03464000B	56	19
B1505227T00A	50	28·36	B9101490000	76	8	HK03464000B	60	20
B1521555000	48	2	B9117051000	32	21·53	HW500070000	60	16
B1636581B00	42	33	B9117051000	76	19·20	MDP500B0902	76	23~26
B1653470000	42	24	B9117563000	36	18·19	MDP500B1002	76	23~26
B1705850000	18	68	B91210120A0	76	27	MDP500B1400	14	3·4
B1820563000	32	12	B9141372000	76	11	MDP500B1400	16	4·5
B1821051000	32	13	BP30000010R	62	68	MDP500B1402	76	23~26
B1821051000	36	10	BP30000010R	64	68	MDP500B2100	14	3·4
B1822051000	32	11	BT0500300EA	42	17	MDP500B2100	16	4·5
B1823051000	32	20	CM200100101	4	42·63	MDP500B2102	76	23~26
B1823051000	36	17	CM200100101	6	42·63	MML007600CA	76	28
B1834512000	64	72	CM200200201	6	52·77	NM6030001SC	52	7
B3111126000	24	33	CM200200202	8	52·77	NM6030001SN	44	79
B3112704000	22	21	CM300200003	4	65	NM6040001SP	44	69
B3112704000	28	21	CM300200003	6	65	NM6040002SC	74	27
B3114232000	22	19·20	CM300400901	30	52·67	NM6050001SD	68	44
B3114232000	28	19·20	CM300400902	30	52·67	NM6050001SE	74	28
B3115552000	24	32	CM301100101	6	56·62	NM6050001SP	30	70
B3118552F00	26	45	CM301100102	6	56·62	NM6050001SP	42	28
B3118552I00	26	46	CM301300001	6	49	NM6050001SP	56	13
B3120125000	24	34	CM600100201	76	36	NM6060001CP	30	66
B3126012000	22	17	CQ202000000	10	5	NM6060001CP	44	54
B3126012000	28	17	CQ202000000	32	18	NM6060001SE	70	5
B3129012A00	22	19·20	CQ202000000	36	15	NM6060003SC	52	18
B3129012A00	24	17	CQ252000000	10	7	NS6080210SP	24	22
B3129012A00	28	19·20	CQ252000000	14	36	NS6090310SP	60	22
B3132552000	24	38	CQ252000000	18	70	NS6110310SP	22	30
B31375270A0	22	5	CQ303000000	10	12	NS6110310SP	24	23
B31375270A0	28	5	D2112555B00	2	3	NS6110310SP	28	30
B3138527000	22	9	D2464555B00	56	22	NS6110310SP	60	9
B3138527000	28	9	D3128555D00	24	36	NS6110310SP	64	48
B3139527000	22	7	D3129555D00	24	37	NS6110420SP	32	19
B3139527000	28	7	D3159555B00	48	26	NS6110420SP	36	16
B3141527000	22	12	D3163555B00A	48	30	NS6150310SP	72	5
B3141527000	28	12	D3164555B00	50	45	NS6150440SP	72	11

NUMERICAL INDEX OF PARTS

PART NO	PAGE	REF NO.	PART NO	PAGE	REF NO.	PART NO	PAGE	REF NO.
NS6620310SP	48	27	SD0900706TP	44	55	SM4062001SC	68	3
RC0370411KP	60	27	SK3412000SC	68	12	SM5040655SN	68	34
RC0560711KP	68	31	SL4030631SC	60	3	SM6030672TP	42	34
RC0650811KP	52	3	SL4030641SE	60	18	SM6040602TP	48	7
RE0400000K0	56	23	SL6040892TN	62	21	SM6040650TP	64	47
RE0400000K0	68	32	SL6052592TN	10	30	SM6040655TP	4	31
RE0500000K0	48	13	SL6061692TN	6	69	SM6040655TP	64	63
RE0500000K0	72	18	SM0051001SC	68	37	SM6040802TP	46	89
RE0600000K0	52	11	SM1030501SN	52	44	SM6041802TP	64	71
RE0700000K0	30	56	SM1040750TP	2	30	SM6050450TP	30	73
RE0700000K0	72	13	SM1040750TP	4	30	SM6050650TP	44	71
RE0800000K0	72	20	SM2040750TP	4	32	SM6050650TP	56	35
RE0900000K0	42	13	SM4021201SC	56	44	SM6050800SP	42	93
RE1000000K0	70	13	SM4040455SP	62	6	SM6050800SP	46	93
RO036080200	22	40	SM4040601SC	52	5	SM6050802TP	60	26
RO036080200	28	40	SM4040655SP	42	31	SM6051002TP	14	21
RO037180100	48	3	SM4040655SP	50	44	SM6051002TP	58	50
RO037180100	64	62	SM4040655SP	62	23	SM6051202TP	30	51
RO044240100	38	17	SM4040855SP	30	49	SM6051202TP	52	37
RO048190100	62	86	SM4040855SP	50	47	SM6051400SP	44	41
RO048190100	66	86	SM4041055SP	14	35	SM6051600SP	14	28
RO092270200	44	78	SM4041201SC	74	24	SM6051600SP	20	81
RO195240100	62	42	SM4041601SN	26	49	SM6051600SP	42	74
RO195240100	64	42	SM4042501SC	74	26	SM6051600SP	44	74
RO257350100	38	10	SM4050655SP	38	34	SM6051850TP	44	83
SB120002500	12	37	SM4050655SP	44	85	SM6052502TP	54	62
SB30953010A	36	30~33	SM4050655SP	64	88	SM6060800SP	2	12
SB30953010B	36	30~33	SM4050655SP	66	88	SM6060800SP	50	39
SB30953010C	36	30~33	SM4050855SP	2	6	SM6061150TP	10	20
SB30953010D	36	30~33	SM4050855SP	26	47	SM6061150TP	42	29
SD0470316TP	22	27	SM4050855SP	30	58	SM6061200SP	52	28
SD0470316TP	24	3	SM4050855SP	38	14	SM6061202TP	56	24
SD0470316TP	28	27	SM4050855SP	52	26	SM6062500SP	38	31
SD0500301SP	60	23	SM4050855SP	60	37	SM6062502TP	14	24
SD0601171SP	28	42	SM4051001SN	22	43	SM6062502TP	18	76
SD0640247TP	30	60	SM4051055SP	6	67	SM6063002TP	56	29
SD0640357TP	48	14	SM4051255SP	42	27	SM6063750SP	38	24
SD0640752TP	30	53	SM4051255SP	62	8	SM6750690TP	42	25
SD0650321TP	60	4	SM4051255SP	76	2	SM6850400SP	54	53
SD0700328TP	56	34	SM4051405SE	74	25	SM7050850TP	44	60
SD0700336TP	54	68	SM4051455SP	2	1	SM8030312TP	54	54
SD0700346TP	54	65	SM4051601SC	68	4	SM8031612TP	44	77
SD0800352SP	72	14	SM4052501SP	22	42	SM8040402TP	2	23
SD0900356TP	48	15	SM4052501SP	30	47	SM8040412TP	30	68
SD0900426TP	42	4	SM4055001SF	64	79	SM8040412TP	42	76

NUMERICAL INDEX OF PARTS

PART NO	PAGE	REF NO.	PART NO	PAGE	REF NO.	PART NO	PAGE	REF NO.
SM8040412TP	44	76	SS4111215SP	48	31	TA1650406R0	6	59
SM8040612TP	42	38	SS5090420SP	22	39	WP0350516SD	24	27
SM8040802TP	68	36	SS5090420SP	28	39	WP0371016SD	32	16
SM8050412TP	2	19	SS5091020SP	24	21	WP0371016SD	36	13
SM8050412TP	44	46	SS6060510TP	16	22	WP0371016SD	60	30
SM8050502TP	68	35	SS6080340SP	18	63	WP0430800SD	64	70
SM8050612TP	24	20	SS6080410SP	16	27	WP0450000SD	16	18
SM8050612TP	48	18	SS6090520SP	24	25	WP0450801SP	28	44
SM80506A2TP	42	14	SS6090580TP	54	48	WP0450801SP	58	49
SM8051002TP	38	20	SS6090810TP	32	15	WP0450826SC	68	33
SM8060550TP	32	34	SS6090810TP	36	12	WP0501016SC	68	13
SM8060550TP	36	28	SS6121860SP	42	19	WP0501016SD	22	37
SM8060552TP	10	14	SS6153040SP	38	23	WP0501016SD	28	37
SM8060552TP	44	82	SS7060310SP	18	72	WP0501016SD	56	20
SM8060610TP	38	37	SS7090510SP	22	24	WP0520656SA	42	16
SM8060612TP	10	38	SS7090510SP	28	24	WP0520656SA	64	78
SM8060612TP	12	38	SS7090610SP	60	29	WP0531000SC	76	3
SM8060612TP	38	41	SS7090910TP	50	43	WP0531000SD	52	66
SM8060612TP	44	44	SS7110710SP	16	19	WP0531000SD	54	66
SM80606A2TP	54	61	SS7110710SP	56	15	WP0531000SD	60	35
SM8060812TP	12	44	SS7110740TP	56	11	WP0531000SD	64	80
SM80608A2TP	10	25	SS7121410TP	72	6	WP0531001SC	68	6
SM8061212TP	30	65	SS8080660TP	14	19	WP0531001SC	74	18
SM8061550TP	10	22	SS8080660TP	16	87	WP0550800SP	14	22
SM8063012TR	70	6	SS8080660TP	18	87	WP0550800SP	58	51
SM8081652TP	10	17	SS8080660TP	20	87	WP0612056SD	56	31
SM9040603SC	2	28	SS8090670SP	24	39	WP0621016SD	56	26
SM9040603SC	56	12	SS8110410TP	6	53	WP0621036SP	72	10
SM9050850SP	52	31	SS9110460CP	30	62	WP0621046SP	38	25
SM9051203CP	54	57	SS9111010SP	56	21	WP0621046SP	52	17
SM9061203SE	70	20	TA0290301M0	38	30	WP0641600SC	68	7
SM9061853SR	70	14	TA0370301R0	12	33	WP0651646SC	78	41
SQ0000401MZ	62	60	TA0370301R0	16	33	WP1021016SD	72	12
SQ0000401MZ	64	60	TA0490601R0	12	42	WP1612616SE	74	29
SQ0000451MZ	62	27	TA0500301R0	12	32	WS0410002KP	60	36
SQ2050453MZ	38	29	TA0750404R0	10	1	WS0451040KP	58	48
SQ2060443SD	62	25	TA0750704R0	6	50	WS0510002KN	74	5
SQ2060451MZ	38	35	TA0800504R0	2	9	WS0521010KN	68	5
SS1090520TP	54	47	TA0950806R0	6	58	WS0610002KP	56	30
SS4090415SP	16	28	TA1030402R0	4	48	WS0631510KP	56	25
SS4090715SP	16	37	TA1250406R0	2	64	WT0530002KS	2	7
SS4110515SP	58	47	TA1250406R0	6	64			
SS4110615SP	22	36	TA1250705R0	6	74			
SS4110615SP	28	36	TA1470704R0	6	57			
SS4110715SP	48	29	TA1600406R0	2	18			